

# AVR2000RDS

Audio/Video Receiver  
DD, DTS, HDCD, MP3

## PRELIMINARY SERVICE MANUAL



**harman/kardon**  
Power for the digital revolution®

# Technical Specifications

## Audio Section

Stereo Mode

Continuous Average Power (FTC)

50 Watts per channel, 20Hz–20kHz,  
@ < 0.07% THD, both channels driven into 8 ohms

Five-Channel Surround Modes

Power Per Individual Channel

Front L&R channels:  
40 Watts per channel,  
@ < 0.07% THD, 20Hz–20kHz into 8 ohms

Center channel:  
40 Watts, @ < 0.07% THD, 20Hz–20kHz into 8 ohms

Surround channels:  
40 Watts per channel,  
@ < 0.07% THD, 20Hz–20kHz into 8 ohms

Input Sensitivity/Impedance

Linear (High Level) 200mV/47kohms

Signal-to-Noise Ratio (IHF-A) 95dB

Surround System Adjacent Channel Separation

Analog Decoding 40dB  
(Pro Logic, etc.)

Dolby Digital (AC-3) 55dB  
DTS 55dB

Frequency Response

@ 1W (+0dB, -3dB) 10Hz–100kHz

High Instantaneous

Current Capability (HCC) ±25 Amps

Transient Intermodulation

Distortion (TIM) Unmeasurable

Rise Time 16 µsec

Slew Rate 40V/µsec\*\*

## FM Tuner Section

Frequency Range	87.5–108MHz
Usable Sensitivity	IHF 1.3 µV/13.2dB
Signal-to-Noise Ratio	Mono/Stereo: 70/65dB (DIN)
Distortion	Mono/Stereo: 0.15/0.3%
Stereo Separation	35dB @ 1kHz
Selectivity	±300kHz: 65dB
Image Rejection	80dB
IF Rejection	90dB

## AM Tuner Section

Frequency Range	520–1611kHz
Signal-to-Noise Ratio	45 dB
Usable Sensitivity	Loop: 500µV
Distortion	1kHz, 50% Mod: 0.8%
Selectivity	±9kHz: 30dB

## Video Section

Video Format	PAL/NTSC
Input Level/Impedance	1Vp-p/75 ohms
Output Level/Impedance	1Vp-p/75 ohms
Video Frequency Response	10Hz–8MHz (-3dB)

## General

Power Requirement	AC 220-240V/50Hz
Power Consumption	72W idle, 470W maximum

Dimensions (Max)

Width	440mm
Height	167mm
Depth	435mm
Weight	14.0 kg

Depth measurement includes knobs, buttons and terminal connections.

Height measurement includes feet and chassis.

All features and specifications are subject to change without notice.

Harman Kardon is a registered trademark, and Power for the digital revolution is a trademark, of Harman International Industries, Inc.

\*Manufactured under license from Dolby Laboratories.

"Dolby," "Pro Logic," "AC-3" and the Double-D symbol are trademarks of Dolby Laboratories. Confidential Unpublished Works. ©1992–1999 Dolby Laboratories, Inc. All rights reserved.

† DTS and DTS Surround are trademarks of Digital Theater Systems, Inc.

†† UltraStereo is a trademark of UltraStereo Corp.

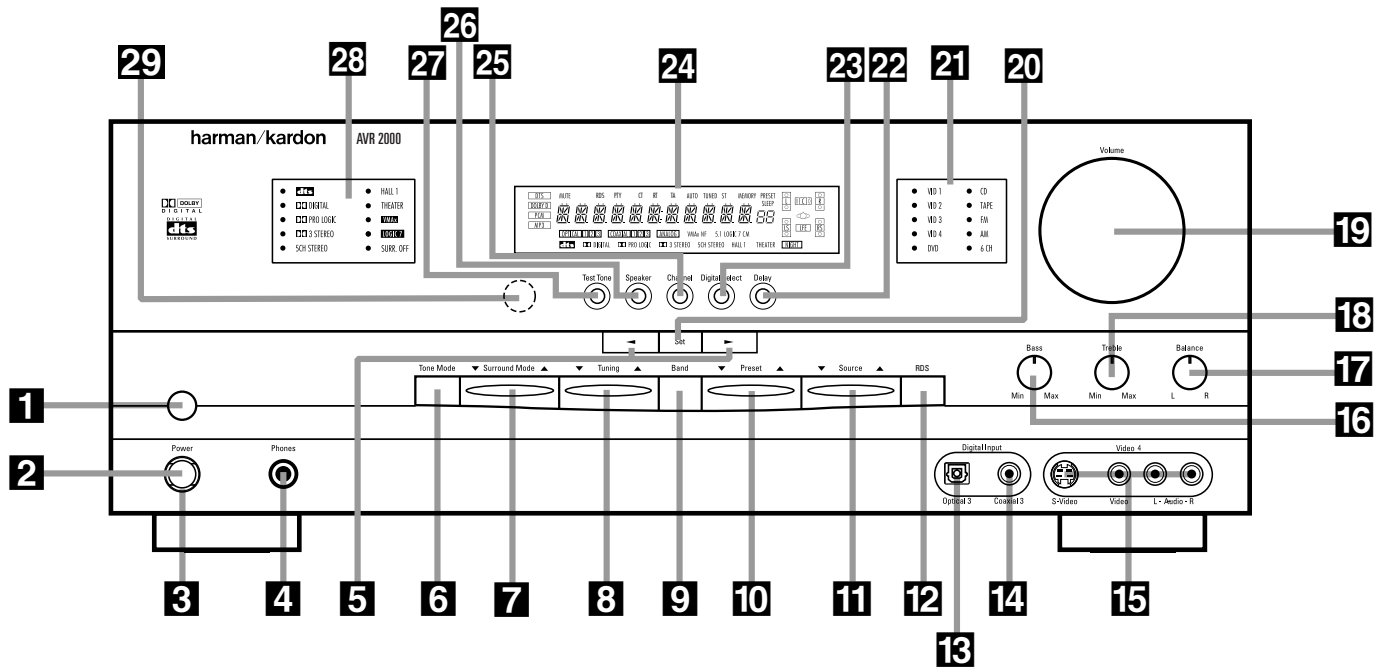
VMAx is a trademark of Harman International Industries, Inc., and is an implementation of Cooper Bauck Transaural Stereo under patent license.

Logic 7 is a registered trademark of Lexicon, Inc.

Crystal is a registered trademark of Cirrus Logic Corp.

\*\*Without input anti slewing and output isolation networks.

# Front Panel Controls



- 1** Main Power Switch
- 2** System Power Control
- 3** Power Indicator
- 4** Headphone Jack
- 5** Selector Buttons
- 6** Tone Mode
- 7** Surround Mode Selector
- 8** Tuning
- 9** Tuner Band Selector
- 10** Preset Stations Selector
- 11** Input Source Selector
- 12** RDS Select Button
- 13** Digital Optical 3 Input
- 14** Digital Coax 3 Input
- 15** Video 4 input jacks
- 16** Bass Control
- 17** Balance Control
- 18** Treble Control
- 19** Volume Control
- 20** Set Button
- 21** Input Indicators
- 22** Delay
- 23** Digital Input Selector
- 24** Main Information Display
- 25** Channel Select Button
- 26** Speaker Select Button
- 27** Test Tone Selector
- 28** Surround Mode Indicators
- 29** Remote Sensor Window

**1 Main Power Switch:** Press this button to apply power to the AVR 2000. When the switch is pressed in, the unit is placed in a Standby mode, as indicated by the amber LED **3** surrounding the **System Power Control** **2**. This button **MUST** be pressed in to operate the unit. To turn the unit off completely and prevent the use of the remote control, this switch should be pressed until it pops out from the front panel so that the word "OFF" may be read at the top of the switch.

**NOTE:** This switch is normally left in the "ON" position.

**2 System Power Control:** When the **Main Power Switch** **1** is "ON," press this button to turn on the AVR 2000; press it again to turn the unit off (to Standby). Note that the **Power Indicator** surrounding the switch **3** will turn green when the unit is on.

**3 Power Indicator:** This LED will be illuminated in amber when the unit is in the Standby mode to signal that the unit is ready to be turned on. When the unit is in operation, the indicator will turn green.

**4 Headphone Jack:** This jack may be used to listen to the AVR 2000's output through a pair of headphones. Be certain that the headphones have a standard 6.3 mm stereo phone plug. Note that the speakers will automatically be turned off when the headphone jack is in use.

**5 Selector Buttons:** When you are establishing the AVR 2000's configuration settings, use these buttons to select from the choices available, as shown in the **Main Information Display** **24**.

**6 Tone Mode:** Pressing this button enables or disables the Balance, Bass and Treble tone controls. When the button is pressed so that the words **TONE IN** appear in the **Main Information Display** **24**, the settings of the **Bass** **16** and **Treble** **18** controls and of the **Balance** control **17** will affect the output signals. When the button is pressed so that the words **TONE OUT** appear in the **Main Information Display** **24**, the output signal will be "flat," without any balance, bass or treble alteration.

## Front Panel Controls

**7 Surround Mode Selector:** Press this button to change the surround mode by scrolling through the list of available modes. Note that Dolby Digital and DTS modes can be selected only when a digital input is used (See page 24 for more information about surround modes.)

**8 Tuning Selector:** Press the left side of the button to tune lower frequency stations and the right side of the button to tune higher frequency stations. When a station with a strong signal is reached, the **TUNED** indicator **V** will illuminate in the **Main Information Display 24** (see page 29 for more information on tuning stations).

**9 Tuner Band Selector:** Pressing this button will automatically switch the AVR to the Tuner mode. Pressing it again will switch between the AM and FM frequency bands, holding it pressed for some seconds will switch between stereo and mono receiving and between automatic and manual tuning mode (See page 29 for more information on the tuner).

**10 Preset Stations Selector:** Press this button to scroll up or down through the list of stations that have been entered into the preset memory. (See page 29 for more information on tuner programming.)

**11 Input Source Selector:** Press this button to change the input by scrolling through the list of input sources.

**12 RDS Select Button:** Press this button to display the various messages that are part of the RDS data system of the AVR 2000's tuner. (See page 30 for more information on RDS).

**13 Digital Optical 3 Input:** Connect the optical digital audio output of an audio or video product to this jack. When the Input is not in use, be certain to keep the plastic cap installed to avoid dust contamination that might degrade future performance.

**14 Digital Coax 3 Input:** This jack is normally used for connection to the output of portable digital audio devices, video game consoles or other products that have a coax digital jack.

**15 Video 4 Input Jacks:** These audio/video jacks may be used for temporary connection to video games or portable audio/video products such as camcorders and portable audio players.

**16 Bass Control:** Turn this control to modify the low frequency output of the left/right channels by as much as  $\pm 10$ dB. Set this control to a suitable position for your taste or room acoustics.

**17 Balance Control:** Turn this control to change the relative volume for the front left/right channels.

**NOTE:** For proper operation of the surround modes this control should be at the midpoint or "12 o'clock" position.

**18 Treble Control:** Turn this control to modify the high frequency output of the left/right channels by as much as  $\pm 10$ dB. Set this control to a suitable position for your taste or room acoustics.

**19 Volume Control:** Turn this knob clockwise to increase the volume, counterclockwise to decrease the volume. If the AVR is muted, adjusting volume control will automatically release the unit from the silenced condition.

**20 Set Button:** When making choices during the setup and configuration process, press this button to enter the desired setting as shown in the **Main Information Display 24** into the AVR 2000's memory. The set button may also be used to change the display brightness. (See page 28.)

**21 Input indicators:** A green LED will light in front of the input that is currently being used as the source for the AVR 2000.

**22 Delay:** Press this button to begin the sequence of steps required to enter delay time settings. (See page 20 for more information on delay times.)

**23 Digital Input Selector:** When playing a source that has a digital output, press this button to select between the **Optical 13 25** and **Coaxial 14 26 Digital** inputs. (See pages 25-27 for more information on digital audio.)

**24 Main Information Display:** This display delivers messages and status indications to help you operate the receiver. (See pages 7-8 for a complete explanation of the Information Display.)

**25 Channel Select Button:** Press this button to begin the process of trimming the channel output levels using an external audio source. (For more information on output level trim adjustment, see page 28.)

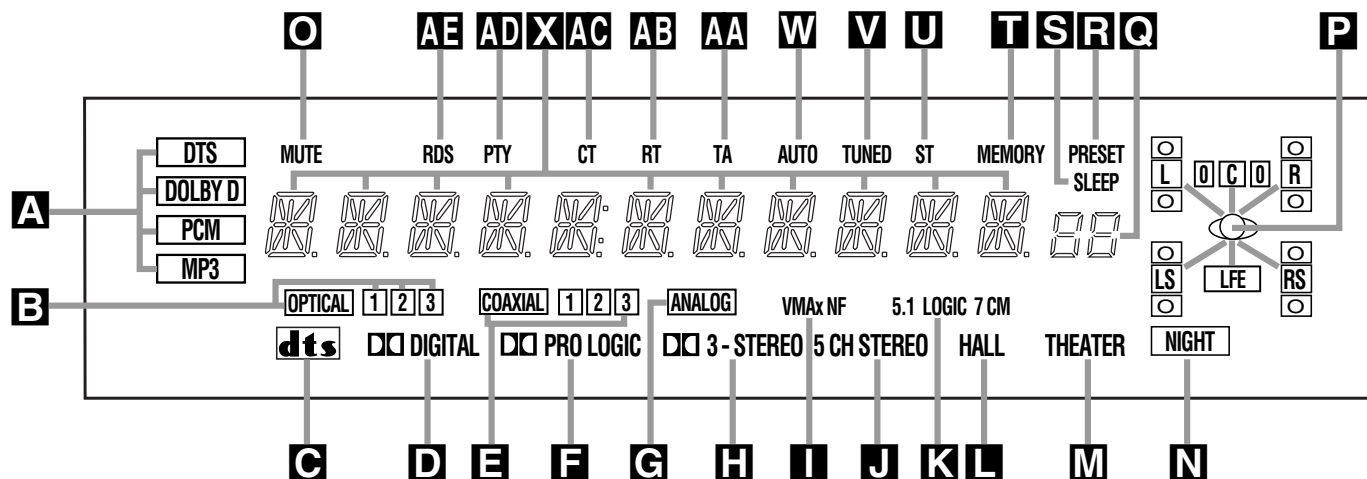
**26 Speaker Select Button:** Press this button to begin the process of selecting the speaker positions that are used in your listening room. (See page 19 for more information on setup and configuration.)

**27 Test Tone Selector:** Press this button to begin the process of adjusting the channel output levels using the internal test tone as a reference. (For more information on output level adjustment, see page 21.)

**28 Surround Mode Indicators:** A green LED will light in front of the surround mode that is currently in use.

**29 Remote Sensor Window:** The sensor behind this window receives infrared signals from the remote control. Aim the remote at this area and do not block or cover it unless an external remote sensor is installed.

## Front Panel Information Display



- A** Bitstream Indicators
- B** Optical Source Indicators
- C** DTS Mode Indicator
- D** Dolby Digital Indicator
- E** Coaxial Source Indicators
- F** Dolby Pro Logic Indicator
- G** Analog Input Indicator
- H** Dolby 3 Stereo Indicator
- I** VMAX Mode Indicator
- J** 5 Channel Stereo Indicator

- K** Logic 7 Mode Indicators
- L** Hall Mode Indicator
- M** Theater Mode Indicator
- N** Night Mode Indicator
- O** Mute Indicator
- P** Speaker/Channel Input Indicators
- Q** Preset Number/Sleep Timer
- R** Preset Indicator
- S** Sleep Indicator
- T** Memory Indicator

- U** Stereo Indicator
- V** Tuned Indicator
- W** Auto Indicator
- X** Main Information Display
- AA** Traffic Indicator
- AB** Radiotext Indicator
- AC** Clock Timer Indicator
- AD** Program Type Indicator
- AE** RDS Indicator

**A Bitstream™ Indicators:** When the input is a digital source, one of these indicators will light to display the specific type of signal in use.

**B Optical Source Indicators:** These indicators light to show when a Optical Digital Input has been selected.

**C DTS Mode Indicator:** This indicator illuminates when the DTS mode is selected.

**D Dolby Digital Indicator:** This indicator illuminates when Dolby Digital mode is selected.

**E Coaxial Source Indicators:** These indicators light to show when a Coaxial Digital Input has been selected.

**F Dolby Pro Logic Indicator:** This indicator lights when the Dolby ProLogic mode has been selected.

**G Analog Input Indicator:** This indicator lights when an analog input source has been selected.

**H Dolby 3 Stereo Indicator:** This indicator lights when the Dolby 3 Stereo Mode has been selected.

**I VMAX Mode Indicator:** This indicator illuminates to show that the VMAX mode is in use. **VMAX F** appears when the Far Field VMAX mode is selected; **VMAX N** appears when the Near Field VMAX mode is selected. (See page 24 for a description of the VMAX Modes.)

**J 5 Channel Stereo Indicator:** This indicator lights when the 5 Channel Stereo mode has been selected.

**K Logic 7 Mode Indicators:** These indicators illuminate when the Logic 7 mode is in use. **LOGIC 7C** appears for the Cinema version of Logic 7, **LOGIC 7M** appears for the Music version of Logic 7. (See page 24 for a description of the Logic 7 Modes.)

**L Hall Mode Indicator:** This indicator lights when the Hall mode has been selected.

**M Theater Mode Indicator:** This indicator illuminates to show that the Theater mode is in use.

**N Night Mode Indicator:** This indicator lights when the AVR 2000 is in the Night mode, which preserves the dynamic range of digital program material at low volume levels.

**O Mute Indicator:** This indicator illuminates to remind you that the AVR 2000's output has been silenced by pressing the **Mute** button **34**. Press the Mute button again to return to the previously selected output level.

**P Speaker/Channel Input Indicators:** These indicators are multipurpose, indicating either the speaker type selected for each channel or the incoming data-signal configuration. The left, center, right, right surround and left surround speaker indicators are composed of three boxes, while the subwoofer is a single box. The center box lights when a "Small" speaker is selected, and the two outer boxes light when "Large" speakers are selected. When none of the boxes are lit for the center, surround or subwoofer channels, no speaker has been selected for that position. (See page 18 for more information on configuring speakers.) The letters inside each of the center boxes display active input channels. For standard analog inputs, only the L and R will light, indicating a stereo input. When a digital source is playing, the indicators will light to display the channels begin received at the digital input. When the letters flash, the digital input has been interrupted. (See page 26 for more information on the Channel Indicators.)

**Q Preset Number/Sleep Timer:** When the tuner is in use, these numbers indicate the specific preset memory location in use. (See page 29 for more information on preset stations.) When the Sleep function is in use, these numbers show how many minutes remain before the unit goes into the Standby mode.

## Front Panel Information Display

**R Preset Indicator:** This indicator lights when the tuner is in use to show that the **Preset Number/Sleep Timer** **Q** is showing the station's preset memory number. (See page 29 for more information on tuner presets.)

**S Sleep Indicator:** This indicator lights when the Sleep function is in use. The numbers in the Preset/Sleep Number Indicators will show the minutes remaining before the AVR 2000 goes into the Standby mode. (See page 23 for more information on the Sleep function.)

**T Memory Indicator:** This indicator flashes when entering presets and other information into the tuner's memory.

**U Stereo Indicator:** This indicator illuminates when an FM station is being tuned in stereo.

**V Tuned Indicator:** This indicator illuminates when a station is being received with sufficient signal strength to provide acceptable listening quality.

**W Auto Indicator:** This indicator illuminates when the tuner's Auto mode is in use.

**X Main Information Display:** This display shows messages relating to the status, input source, surround mode, tuner, volume level or other aspects of unit's operation.

**AA TA Traffic Announcement Indicator:** This indicator illuminates if the RDS station tuned sometimes transmits traffic information (see page 30 for more information on RDS).

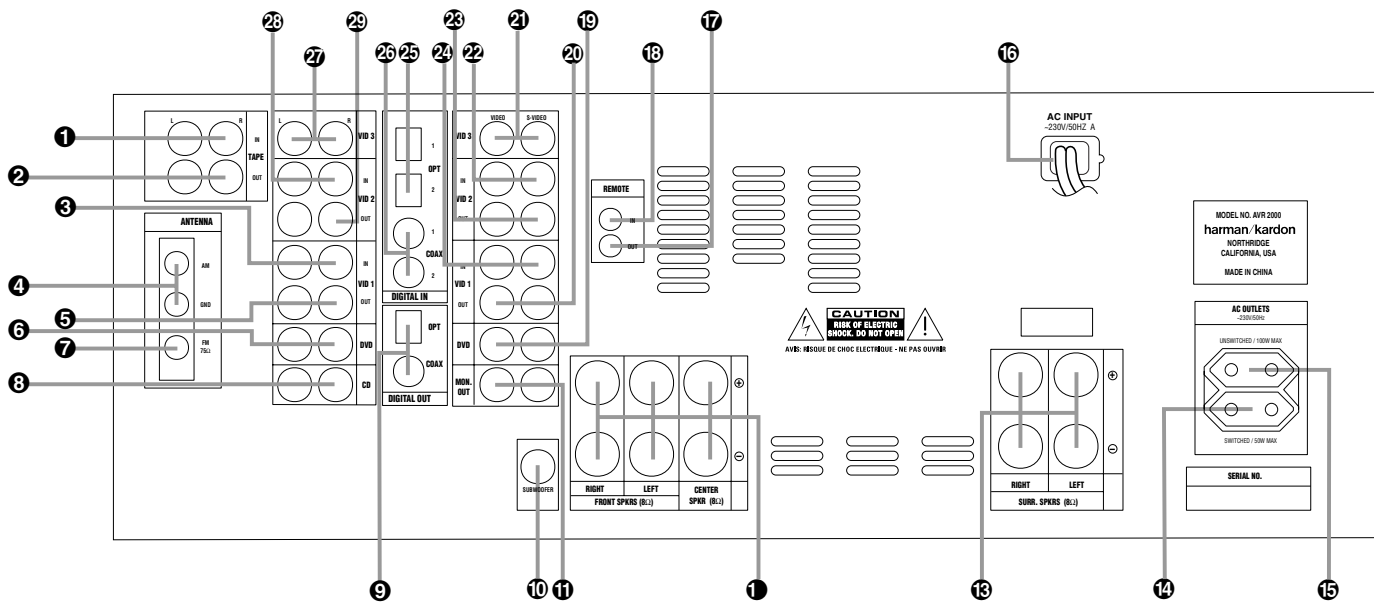
**AB RT Text Indicator:** This indicator illuminates when the RDS station tuned is transmitting radiotext (RT) data.

**AC Clock Time Indicator:** This indicator illuminates when the RDS station tuned is transmitting the CT (clock time) code, indicating the current time of day.

**AD PTY Indicator:** This indicator illuminates when the RDS station tuned is transmitting program type data, or during a PTY search.

**AE RDS Indicator:** This indicator illuminates when the station tuned is transmitting RDS data.

# Rear Panel Connections



- 1 Tape Inputs
- 2 Tape Outputs
- 3 Video 1 Audio Inputs
- 4 AM Antenna
- 5 Video 1 Audio Outputs
- 6 DVD Audio Inputs
- 7 FM Antenna
- 8 CD Inputs
- 9 Digital Audio Outputs
- 10 Subwoofer Output

- 11 Video Monitor Outputs
- 12 Front/Center Speaker Outputs
- 13 Surround Speaker Outputs
- 14 Switched AC Accessory Outlet
- 15 Unswitched AC Accessory Outlet
- 16 AC Power Cord
- 17 Remote IR Output
- 18 Remote IR Input
- 19 DVD Video Inputs
- 20 Video 1 Video Outputs

- 21 Video 3 Video Inputs
- 22 Video 2 Video Inputs
- 23 Video 2 Video Outputs
- 24 Video 1 Video Inputs
- 25 Optical Digital Inputs
- 26 Coaxial Digital Inputs
- 27 Video 3 Audio Inputs
- 28 Video 2 Audio Inputs
- 29 Video 2 Audio Outputs

**1 Tape Inputs:** Connect these jacks to the **PLAY/OUT** jacks of an audio recorder.

**2 Tape Outputs:** Connect these jacks to the **RECORD/INPUT** jacks of an audio recorder.

**3 Video 1 Audio Inputs:** Connect these jacks to the **PLAY/OUT** audio jacks on a VCR or other video source.

**4 AM Antenna:** Connect the AM loop antenna supplied with the receiver to these terminals. If an external AM antenna is used, make connections to the **AM** and **GND** terminals in accordance with the instructions supplied with the antenna.

**5 Video 1 Audio Outputs:** Connect these jacks to the **RECORD/INPUT** audio jacks on a VCR or any other Audio recorder.

**6 DVD Audio Inputs:** Connect these jacks to the analog audio jacks on a DVD or other video source.

**7 FM Antenna:** Connect the supplied indoor or an optional external FM antenna to this terminal.

**8 CD Inputs:** Connect these jacks to the analog output of a compact disc player or CD changer.

**9 Digital Audio Outputs:** Connect these jacks to the matching digital input connector on a digital recorder such as a CD-R or MiniDisc recorder.

**10 Subwoofer Output:** Connect this jack to the line-level input of a powered subwoofer. If an external subwoofer amplifier is used, connect this jack to the subwoofer amplifier input.

**11 Video Monitor Outputs:** Connect these jacks to the composite and/or S-Video input of a TV monitor or video projector to view the output of any video source selected by the receiver's video switcher.

## Rear Panel Connections

**12 Front/Center Speaker Outputs:** Connect these outputs to the matching + or – terminals on your front/center speakers. When making speaker connections, always make certain to maintain correct polarity by connecting the red (+) terminals on the AVR 2000 to the red (+) terminals on the speaker and the black (–) terminals on the AVR 2000 to the black (–) terminals on the speakers. (See page 14 for more information on speaker polarity.)

**13 Surround Speaker Outputs:** Connect these outputs to the matching + or – terminals on your left and right surround speakers. When making speaker connections always make certain to maintain correct polarity by connecting the red (+) terminals on the AVR 2000 to the red (+) terminals on the speakers and the black (–) terminals on the AVR 2000 to the black (–) terminals on the speakers. See page 14 for more information on speaker polarity.

**14 Switched AC Accessory Outlet:** This outlet may be used to power any device that you wish to have turn on when the unit is turned on with the **System Power Control** switch **2**.

**15 Unswitched AC Accessory Outlet:** This outlet may be used to power any AC device. The power will remain on at this outlet regardless of whether the AVR 2000 is on or off (in Standby), provided that the **Main Power** switch **1** is on.

**Note:** The total power consumption of all devices connected to the accessory outlets should not exceed 100 watts from the **Unswitched Outlet 15** and 50 W from the **Switched Outlet 14**.

**16 AC Power Cord:** Connect the AC plug to an unswitched AC wall outlet.

**17 Remote IR Output:** This connection permits the IR sensor in the receiver to serve other remote controlled devices. Connect this jack to the "IR IN" jack on Harman Kardon or other compatible equipment.

**18 Remote IR Input:** If the AVR 2000's front-panel IR sensor is blocked due to cabinet doors or other obstructions, an external IR sensor may be used. Connect the output of the sensor to this jack.

**19 DVD Video Inputs:** Connect these jacks to the composite or S-Video output jacks on a DVD player or other video source.

**20 Video 1 Video Outputs:** Connect these jacks to the **RECORD/INPUT** composite or S-Video jack on a VCR.

**21 Video 3 Video Inputs:** Connect these jacks to the **PLAY/OUT** composite or S-Video jacks on any video source.

**22 Video 2 Video Inputs:** Connect these jacks to the **PLAY/OUT** composite or S-Video jacks on a second VCR or other video source.

**23 Video 2 Video Outputs:** Connect these jacks to the **RECORD/INPUT** composite or S-Video jacks on a second VCR.

**24 Video 1 Video Inputs:** Connect these jacks to the **PLAY/OUT** composite or S-Video jacks on a VCR or other video source.

**25 Optical Digital Inputs:** Connect the optical digital output from a DVD player, HDTV receiver, LD player, MD player or CD player to these jacks. The signal may be either a Dolby Digital signal, a DTS signal or a standard PCM digital source.

**26 Coaxial Digital Inputs:** Connect the coax digital output from a DVD player, HDTV receiver, LD player, MD player or CD player to these jacks. The signal may be either a Dolby Digital signal, DTS signal or a standard PCM digital source. Do not connect the RF digital output of an LD player to these jacks.

**27 Video 3 Audio Inputs:** Connect these jacks to the **PLAY/OUT** audio jacks on any audio or video source.

**28 Video 2 Audio Inputs:** Connect these jacks to the **PLAY/OUT** audio jacks on a VCR or other video source.

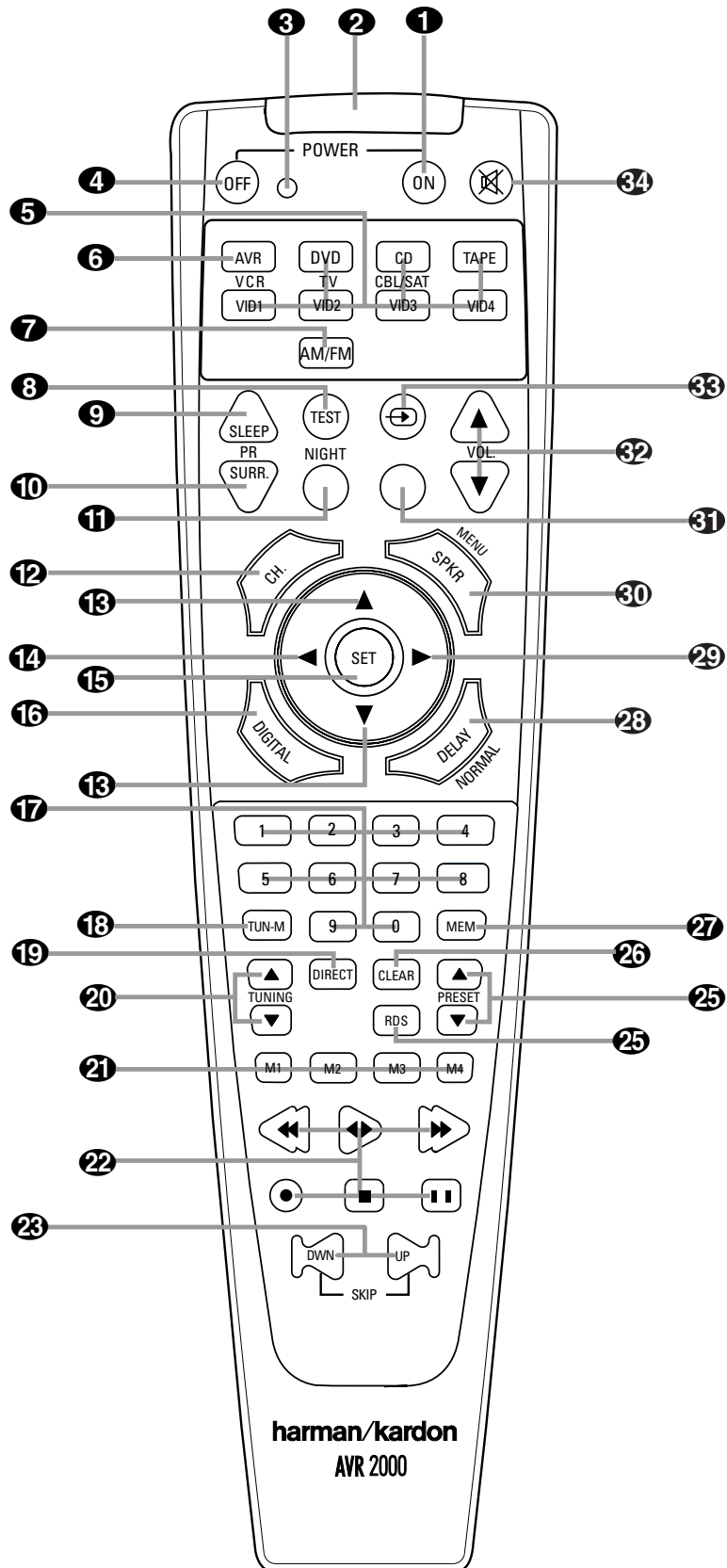
**29 Video 2 Audio Outputs:** Connect these jacks to the **RECORD/INPUT** audio jacks on a VCR or any Audio recorder.

**Note:** Either the Video or S-Video output of any S-Video source must be connected to the AVR 2000, not both in parallel, otherwise the video may be disturbed or its performance be adversely effected.



# Remote Control Functions

- 1 Power On Button
- 2 IR Transmitter Window
- 3 Program Indicator
- 4 Power Off Button
- 5 Input Selectors
- 6 AVR Selector
- 7 AM/FM Tuner Select
- 8 Test Button
- 9 Sleep Button
- 10 Surround Mode Selector
- 11 Night Mode
- 12 Channel Select Button
- 13 ▲/▼ Buttons
- 14 ◀ Button
- 15 Set Button
- 16 Digital Select
- 17 Numeric Keys
- 18 Tuner Mode
- 19 Direct Button
- 20 Tuning Up/Down
- 21 Macro Buttons
- 22 Transport Controls
- 23 Skip Up/Down Buttons
- 24 RDS Select Button
- 25 Preset Up/Down
- 26 Clear Button
- 27 Memory Button
- 28 Delay/Prev. Ch.
- 29 ▶ Button
- 30 Speaker Select
- 31 Spare Button
- 32 Volume Up/Down
- 33 TV/Video Selector
- 34 Mute



**NOTE:** The function names shown here are each button's feature when used with the AVR. Most buttons have additional functions when used with other devices. See page 36 for a list of these functions.

## Remote Control Functions

**IMPORTANT NOTE:** The AVR 2000's remote may be programmed to control up to seven devices, including the AVR 2000. Before using the remote, it is important to remember to press the **Input Selector** button **5** that corresponds to the unit you wish to operate. In addition, the AVR 2000's remote is shipped from the factory to operate the AVR 2000 and most Harman Kardon CD or DVD players and cassette decks. The remote is also capable of operating a wide variety of other products using the control codes that are part of the remote. Before using the remote with other products, follow the instructions on pages 32 to program the proper codes for the products in your system.

It is also important to remember that many of the buttons on the remote take on different functions, depending on the product selected using the Input Selectors. The descriptions shown here primarily detail the functions of the remote when it is used to operate the AVR 2000. (See page 36 for information about alternate functions for the remote's buttons.)

**1 Power On Button:** Press this button to turn on the power to a device selected by pressing one of the **Input Selectors** **5** (except Tape).

**2 IR Transmitter Window:** Point this window towards the AVR 2000 when pressing buttons on the remote to make certain that infrared commands are properly received.

**3 Program Indicator:** This three-color indicator is used to guide you through the process of programming the remote. See page 32 for information on programming the remote.

**4 Power Off Button:** Press this button to place the AVR 2000 or a selected device unit in the Standby mode.

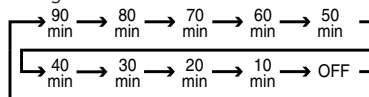
**5 Input Selectors:** Pressing one of these buttons will perform three actions at the same time. First, if the AVR is not turned on, this will power up the unit. Next, it will select the source shown on the button as the input to the AVR. Finally, it will change the remote control so that it controls the device selected. After pressing one of these buttons you must press the **AVR Selector** button **6** again to operate the AVR's functions with the remote.

**6 AVR Selector:** Pressing this button will switch the remote so that it will operate the AVR's functions. If the AVR is in the Standby mode, it will also turn the AVR on.

**7 AM/FM Tuner Select:** Press this button to select the AVR's tuner as the listening choice. Pressing this button when the tuner is in use will select between the AM and FM bands.

**8 Test Tone:** Press this button to begin the sequence used to calibrate the AVR 2000's output levels. (See page 21 for more information on calibrating the AVR 2000.)

**9 Sleep Button:** Press this button to place the unit in the Sleep mode. After the time shown in the display, the AVR 2000 will automatically go into the Standby mode. Each press of the button changes the time until turn-off in the following order:



Hold the button pressed for two seconds to turn off the Sleep mode setting.

Note that this button is also used to change channels on your TV, VCR and SAT receiver when selected.

**10 Surround Mode Selector:** Press this button to begin the process of changing the surround mode. After the button has been pressed, use the **▲/▼** buttons **13** to select the desired surround mode (See page 25 for more information). Note that this button is also used to tune channels when the TV, VCR and SAT receiver is selected using the **Input Selector** **5**.

**11 Night Mode:** Press this button to activate the Night mode. This mode is available only with Dolby Digital encoded digital sources, and it preserves dialog (center channel) intelligibility at low volume levels (See page 27 for more information).

**12 Channel Select Button:** This button is used to start the process of setting the AVR 2000's output levels with an external source. Once this button is pressed, use the **▲/▼** buttons **13** to select the channel being adjusted, then press the **Set** button **15**, followed by the **▲/▼** buttons again, to change the level setting. (See page 28 for more information.)

**13 ▲/▼ Buttons:** These are multi-purpose buttons. They will be used most frequently to select a surround mode. These buttons are also used to increase or decrease output levels when configuring the unit, to select speaker configuration or to select the digital inputs. They are also used to enter delay time settings after the **Delay** button **30** has been pressed.

When the AVR 2000 remote is being programmed for the codes of another device, these buttons are also used in the "Auto Search" process (See page 32 for more information on programming the remote.)

**14 ◀ Button:** This button does not have a function with the AVR2000. When a DVD player or TV is selected, it may be used to navigate the menus of those devices.

**15 Set Button:** This button is used to enter settings into the AVR 2000's memory. It is also used in the setup procedures for delay time, speaker configuration and channel output level adjustment.

**16 Digital Select:** Press this button to assign one of the digital inputs **13 14 25 26** to a source. (See page 26 for more information on using digital inputs.)

**17 Numeric Keys:** These buttons serve as a ten-button numeric keypad to enter tuner preset positions. They are also used to select channel numbers when **TV**, **VCR** or **Sat** receiver has been selected on the remote, or to select track numbers on a CD, DVD or LD player, depending on how the remote has been programmed.

**18 Tuner Mode:** Press this button when the tuner is in use to select between automatic tuning and manual tuning. When the button is pressed so that the **AUTO** indicator **W** goes out, pressing the **Tuning** buttons **20 8** will move the frequency up or down in single-step increments. When the FM band is in use and the **AUTO** indicator **W** is on, pressing this button will change to monaural reception making even weak stations audible. (See page 29 for more information.)

## Remote Control Functions

**19 Direct Button:** Press this button when the tuner is in use to start the sequence for direct entry of a station's frequency. After pressing the button simply press the proper **Numeric Keys 17** to select a station (See page 29 for more information on the tuner).

**20 Tuning Up/Down:** When the tuner is in use, these buttons will tune up or down through the selected frequency band. If the **Tuner Mode** button **18** has been pressed or the **Band** button **12** on the front panel was held pressed so that the **AUTO** indicator **W** is illuminated, pressing either of the buttons will cause the tuner to seek the next station with acceptable signal strength for quality reception. When the **AUTO** indicator **W** is NOT illuminated, pressing these buttons will tune stations in single-step increments. (See page 29 for more information.)

**21 Macro Buttons:** Press these buttons to store or recall a "Macro", which is a pre-programmed sequence of commands stored in the remote. (See page 33 for more information on storing and recalling macros.)

**22 Transport Buttons:** These buttons do not have any functions for the AVR, but they may be programmed for the forward/reverse play operation of a wide variety of CD or DVD players, and audio or video- cassette recorders. (See page 32 for more information on programming the remote.)

**23 Skip Up/Down Buttons:** These buttons do not have a direct function with the AVR 2000, but when used with a compatibly programmed CD or DVD changer they will change the tracks on the disc currently being played in the changer.

**24 RDS Select Button:** Press this button to display the various messages that are part of the RDS data system of the AVR 2000's tuner. (See page 30 for more information on RDS).

**25 Preset Up/Down:** When the tuner is in use, press these buttons to scroll through the stations programmed into the AVR 2000's memory. When CD or DVD is selected using the **Input Selector** button **5**, these buttons may function as Slow Fwd/Rev (DVD) or "+10" (CD).

**26 Clear Button:** Press this button to clear incorrect entries when using the remote to directly enter a radio station's frequency.

**27 Memory Button:** Press this button to enter a radio station into the AVR 2000's preset memory. After pressing the button the **MEMORY** indicator **I** will flash; you then have five seconds to enter a preset memory location using the **Numeric Keys 17**. (See page 29 for more information.)

**28 Delay/Prev Ch.:** Press this button to begin the process for setting the delay times used by the AVR 2000 when processing surround sound. After pressing this button, the delay times are entered by pressing the **Set** button **15** and then using the **▲/▼** buttons **13** to change the setting. Press the Set button again to complete the process. (See page 20 for more information.)

**29 ► Button:** This button does not have a function with the AVR2000. When a DVD player or TV is selected, it may be used to navigate the menus of those devices.

**30 Speaker Select:** Press this button to begin the process of configuring the AVR 2000's Bass Management System for use with the type of speakers used in your system. Once the button has been pressed, use the **▲/▼** buttons **13** to select the channel you wish to set up. Press the **Set** button **15** and then select the speaker type (see page 18 for more information.)

**31 Spare Button:** This button does not have any function for the operation of the AVR 2000, but it can turn on/off the Multiroom system on other Harman Kardon AV-receivers with that feature and the Sub-function on DVD players.

**32 Volume Up/Down:** Press these buttons to raise or lower the system volume.

**33 TV/Video Button:** This button does not have a direct function on the AVR 3000, but when used with a compatibly programmed VCR, DVD or satellite receiver that has a "TV/Video" function, pressing this button will switch between the output of the player or receiver and the external video input to that player. Consult the Owner's Manual for your specific player or receiver for the details of how it implements this function.

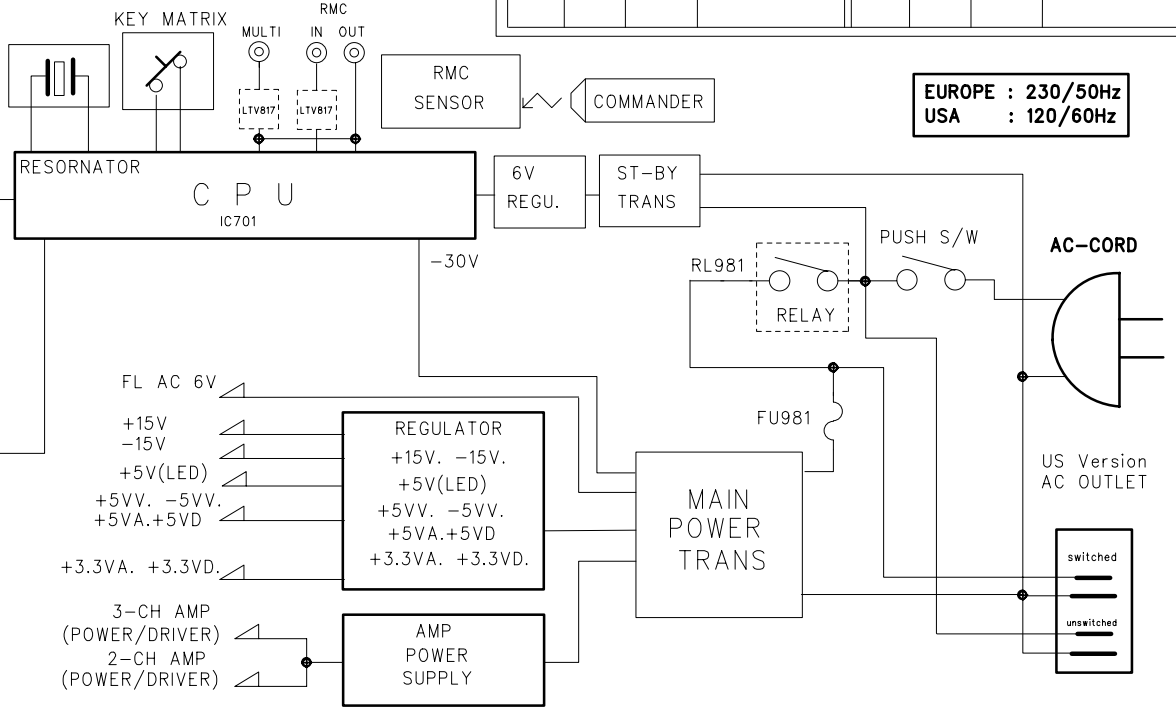
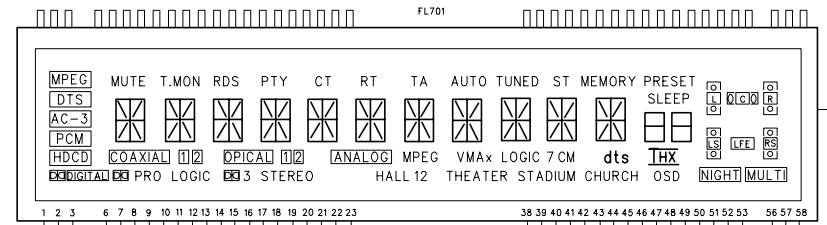
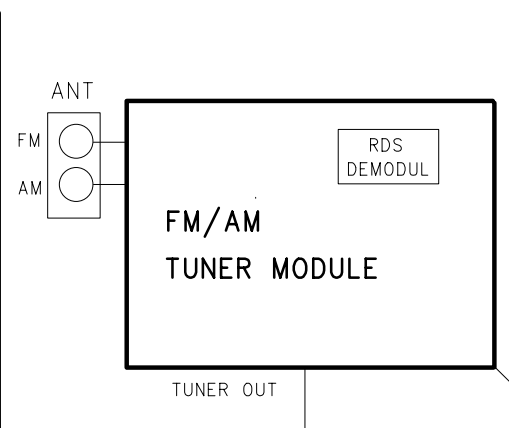
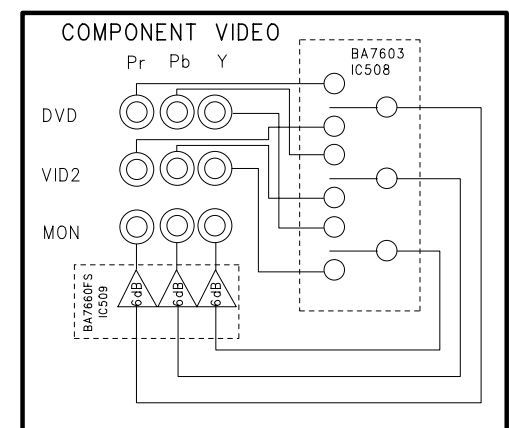
**34 Mute:** Press this button to momentarily silence the AVR 2000 or TV set being controlled, depending on which device has been selected.

When the AVR 2000 remote is being programmed to operate another device, this button is pressed with the **Input Selector** button **5** to begin the programming process. (See page 32 for more information on programming the remote.)

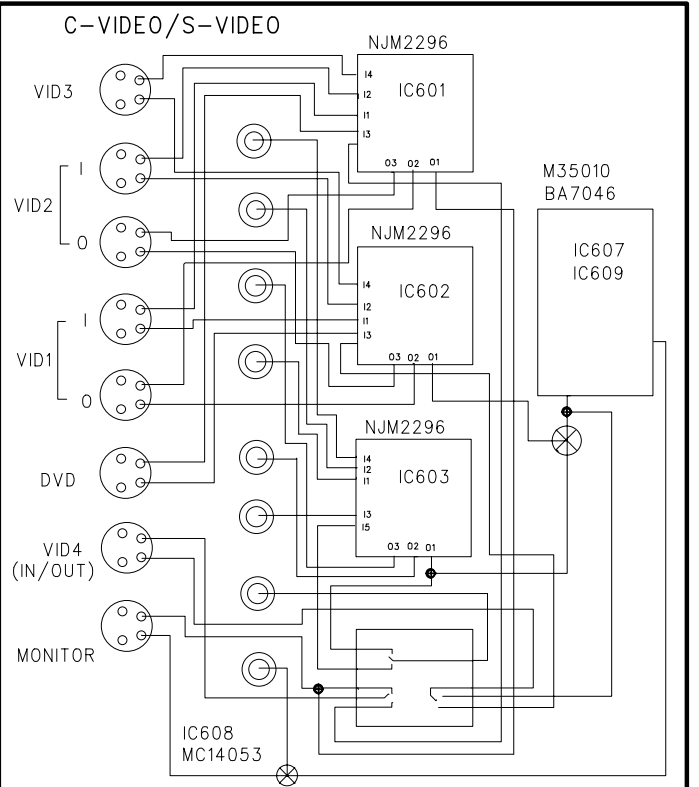
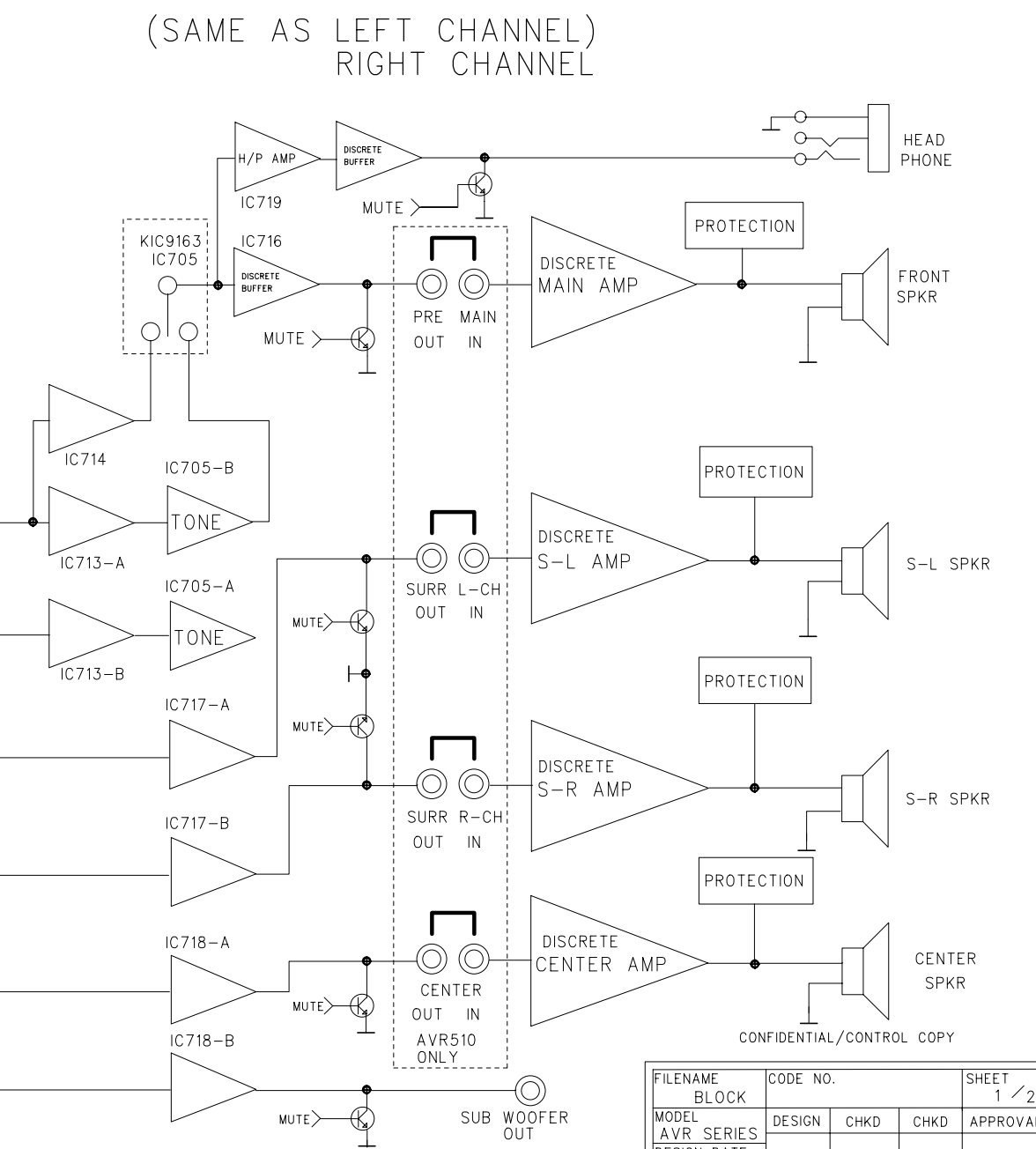
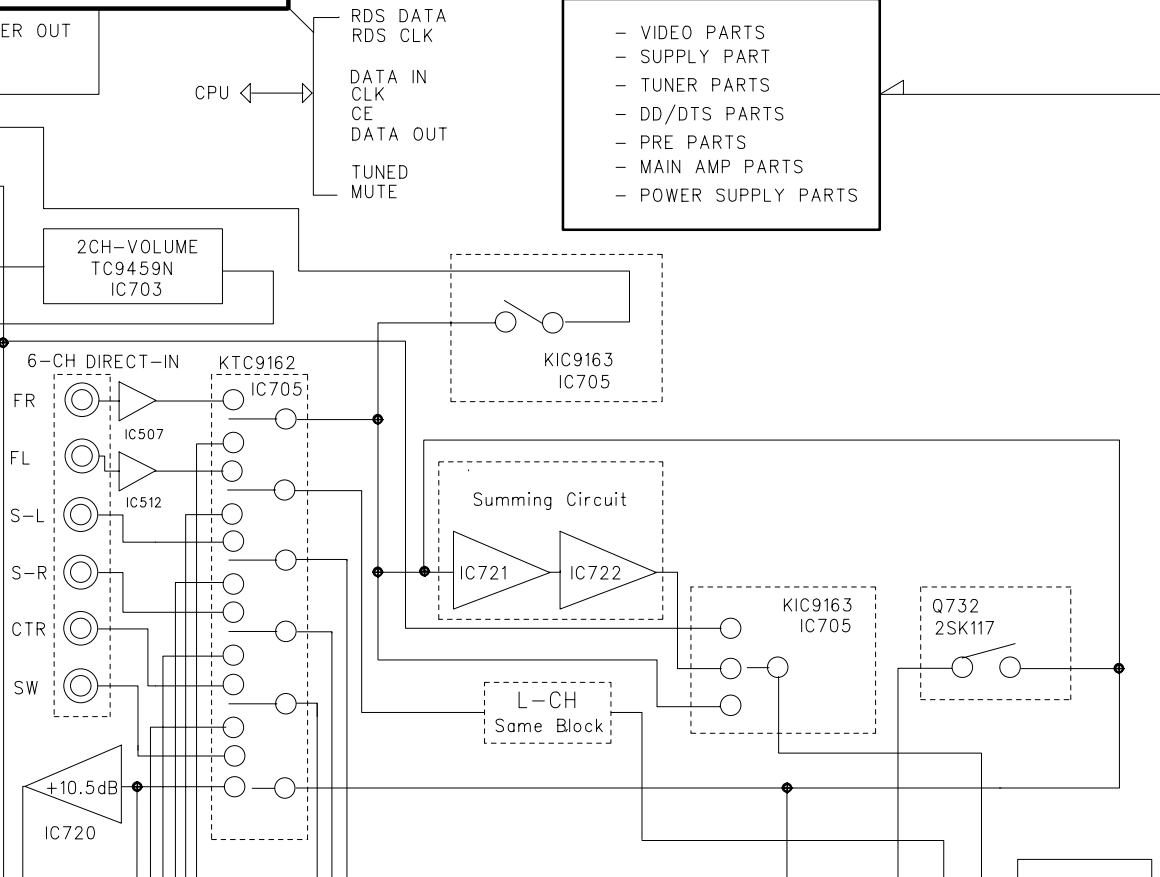
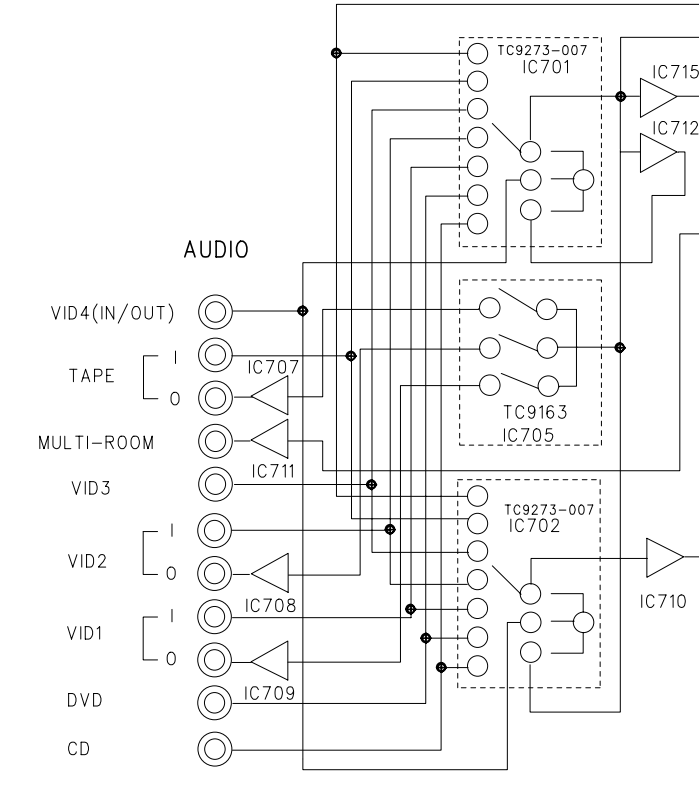
**NOTE:** As any of the remote buttons pressed is active with the device selected, the corresponding **Selector** button **5 6** will briefly flash red to confirm your selection.

# BLOCK DIAGRAM MODEL: AVR110/210/310/510 AVR2000/3000/4000/5000

NO	DATE	POS.	CONTENTS	NO	DATE	POS.	CONTENTS



- VIDEO PARTS
- SUPPLY PART
- TUNER PARTS
- DD/DTS PARTS
- PRE PARTS
- MAIN AMP PARTS
- POWER SUPPLY PARTS



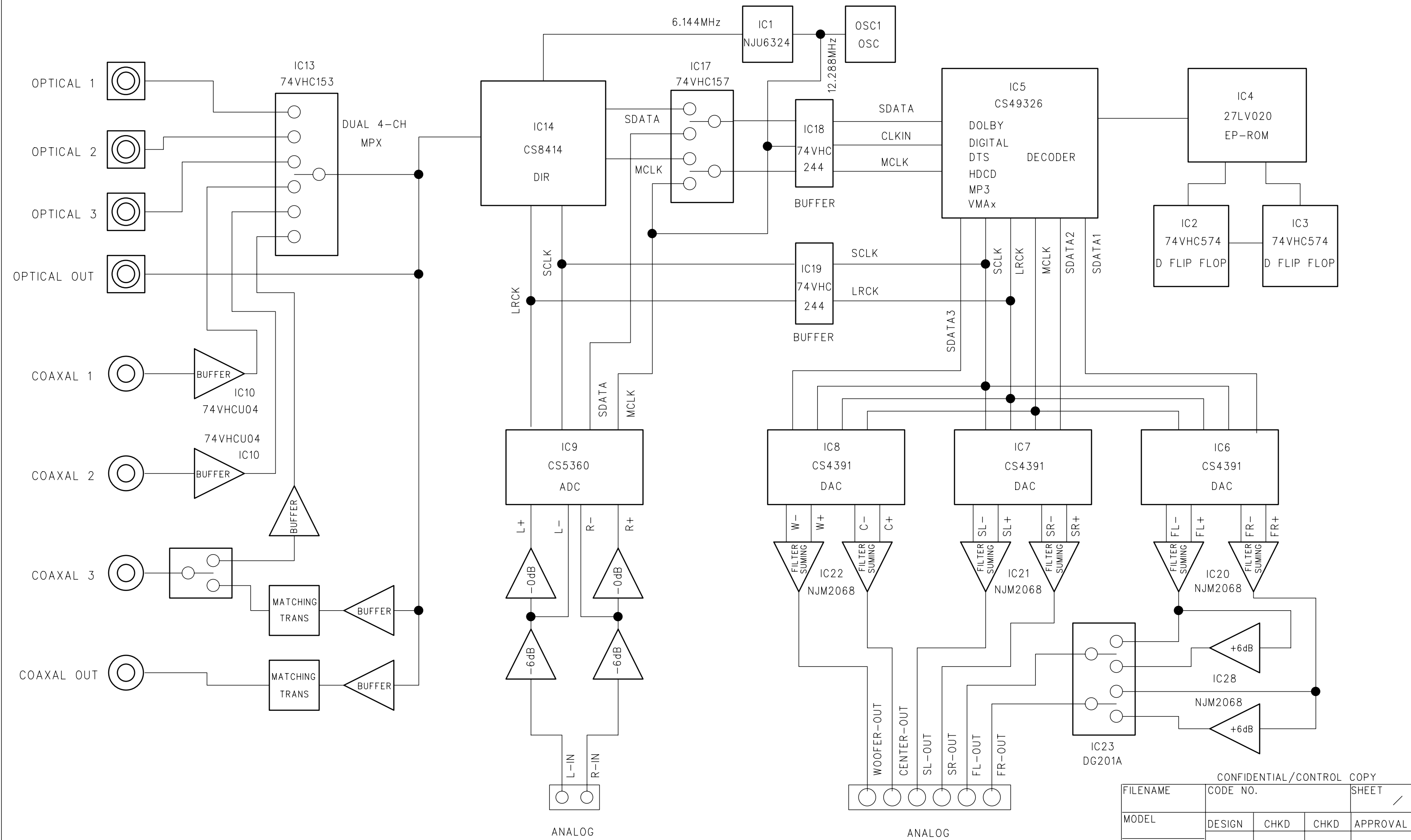
DSP BLOCK  
SHEET-2/2

FILENAME BLOCK	CODE NO.	SHEET 1/2
MODEL AVR SERIES	DESIGN CHKD CHKD	APPROVAL
DESIGN DATE 30.OCT.2000	J.S.AN	

# BLOCK DIAGRAM

MODEL 110/210/310/510  
2000/3000/4000/5000

NO	DATE	POS.	CONTENTS	NO	DATE	POS.	CONTENTS



CONFIDENTIAL/CONTROL COPY

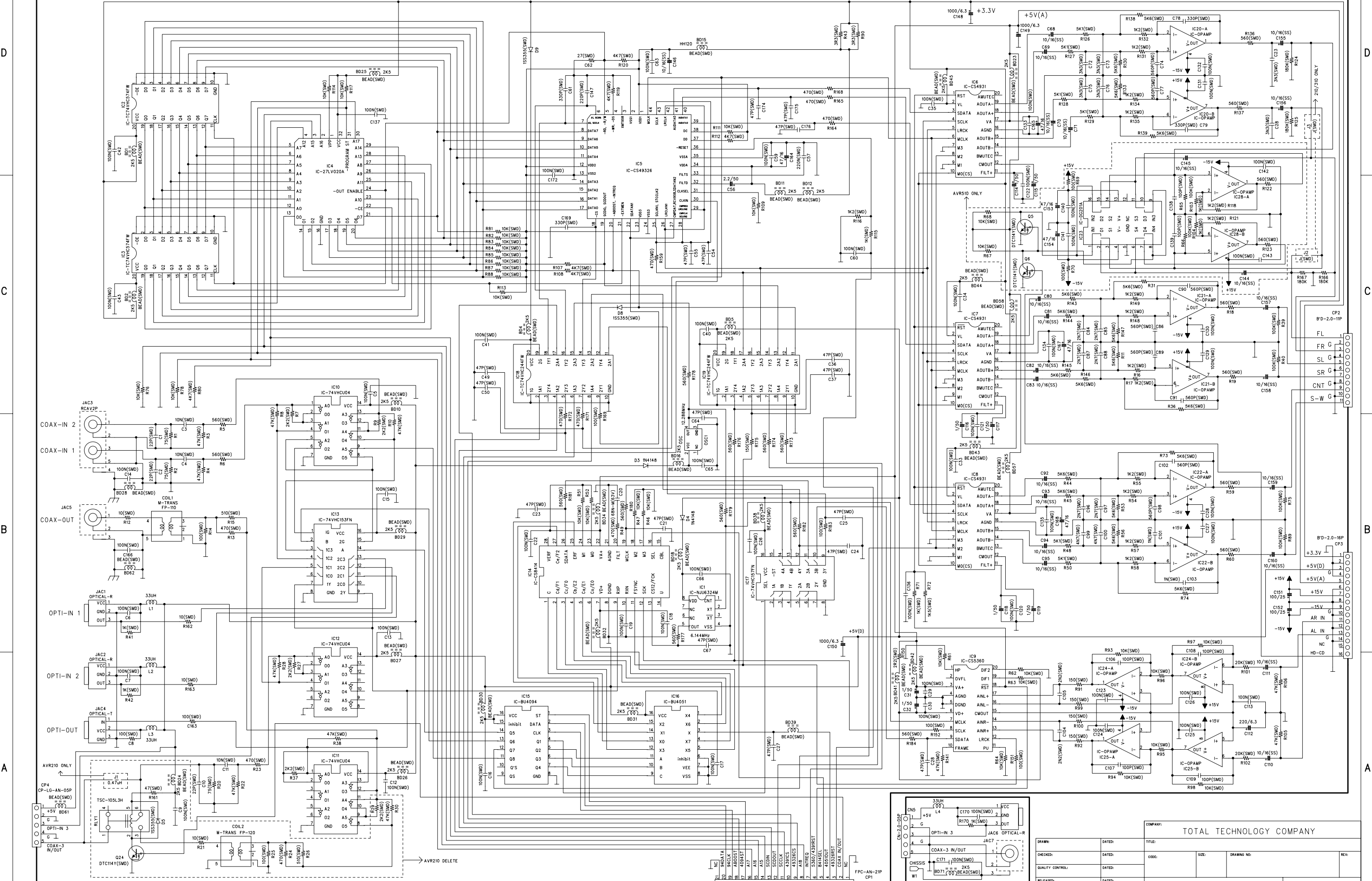
FILENAME	CODE NO.			SHEET /
MODEL	DESIGN	CHKD	CHKD	APPROVAL
DESIGN DATE				

DSP B'D

SCHEMATIC DIAGRAM

MP AVR2000/3000/4000/5000

REVISION RECORD			
LTN	ECO NO.	APPROVED	DATE

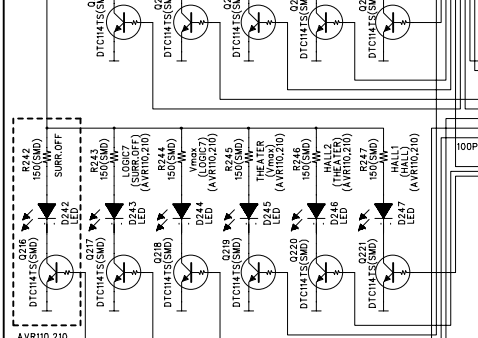
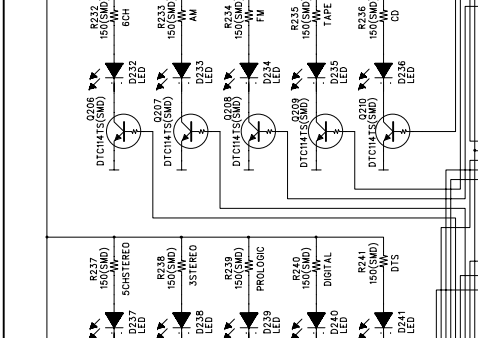
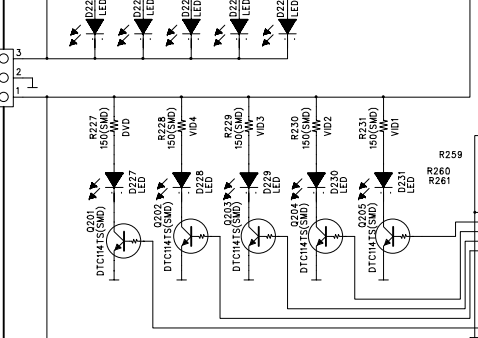
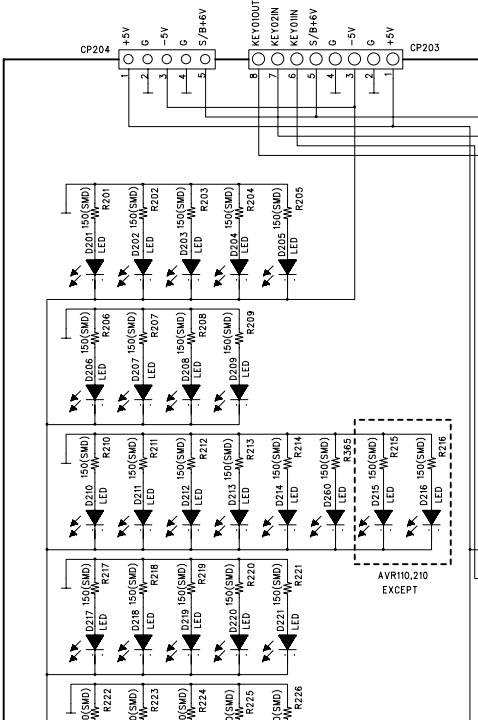
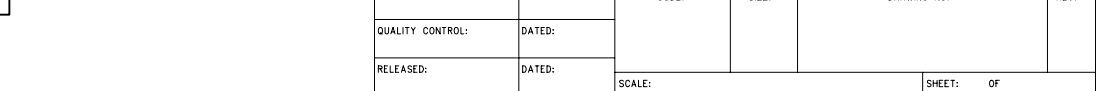
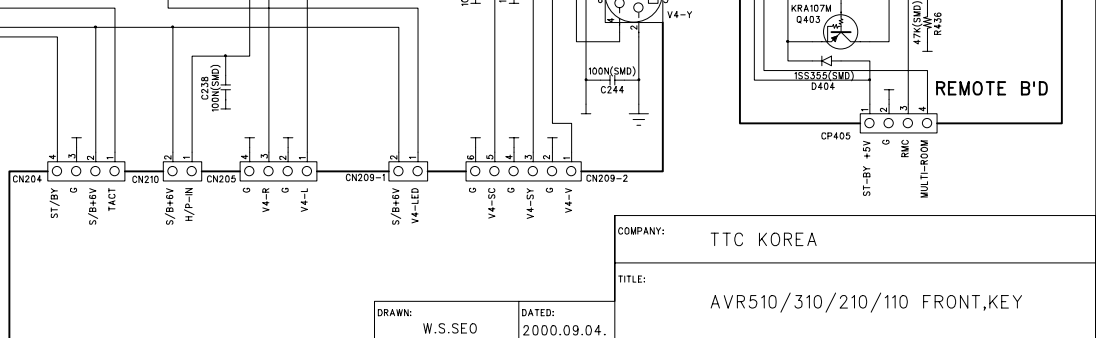
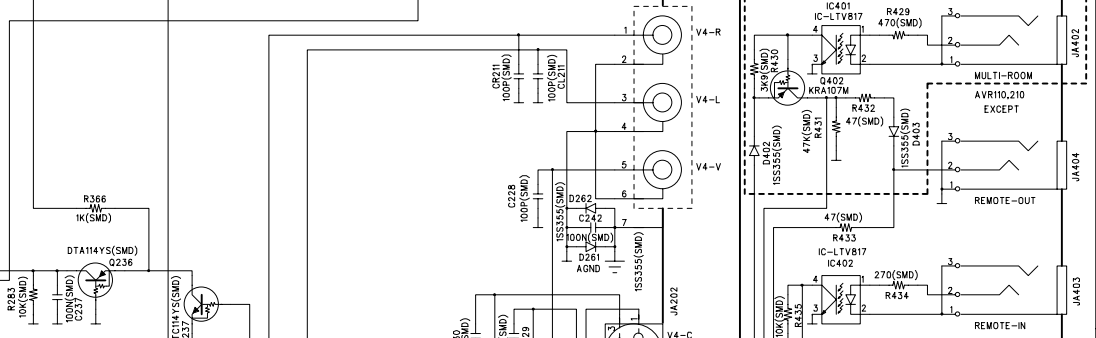
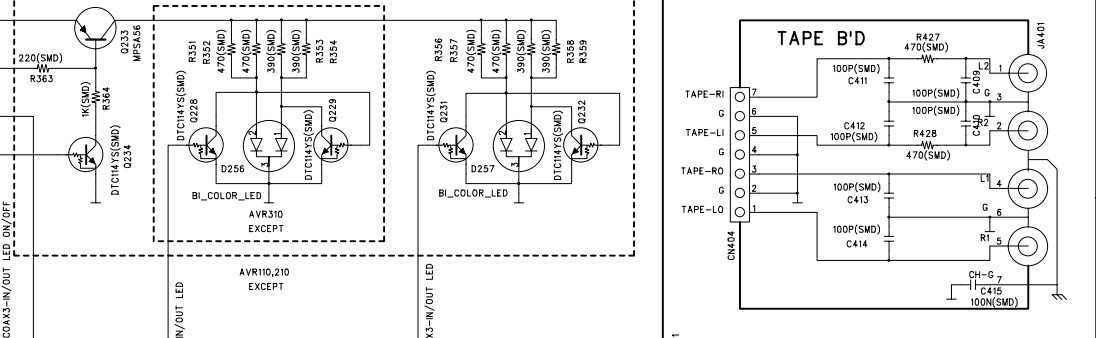
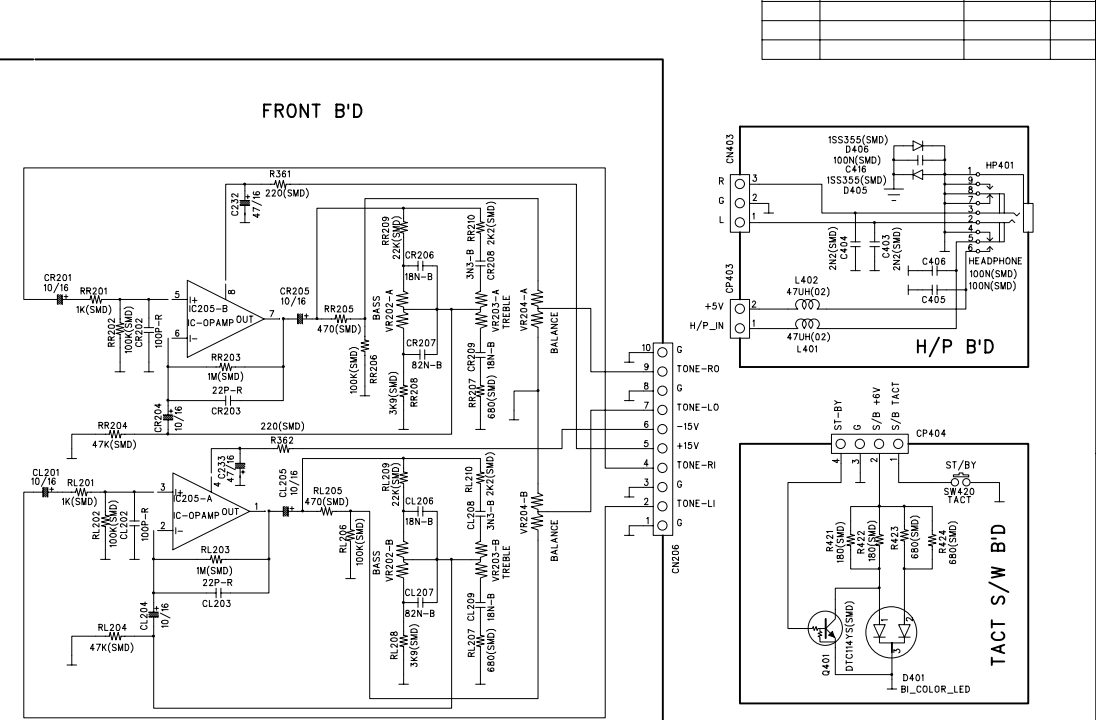
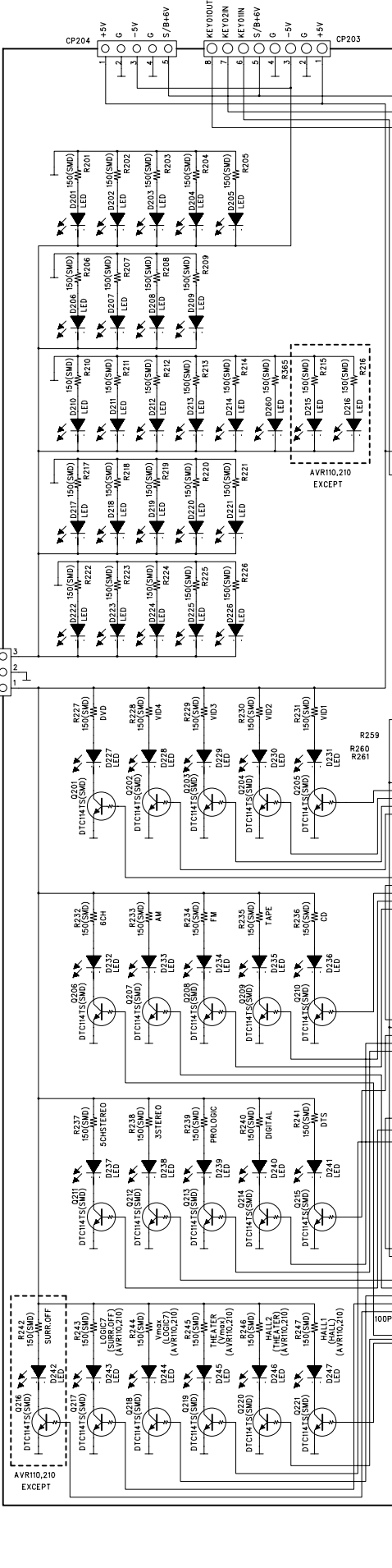
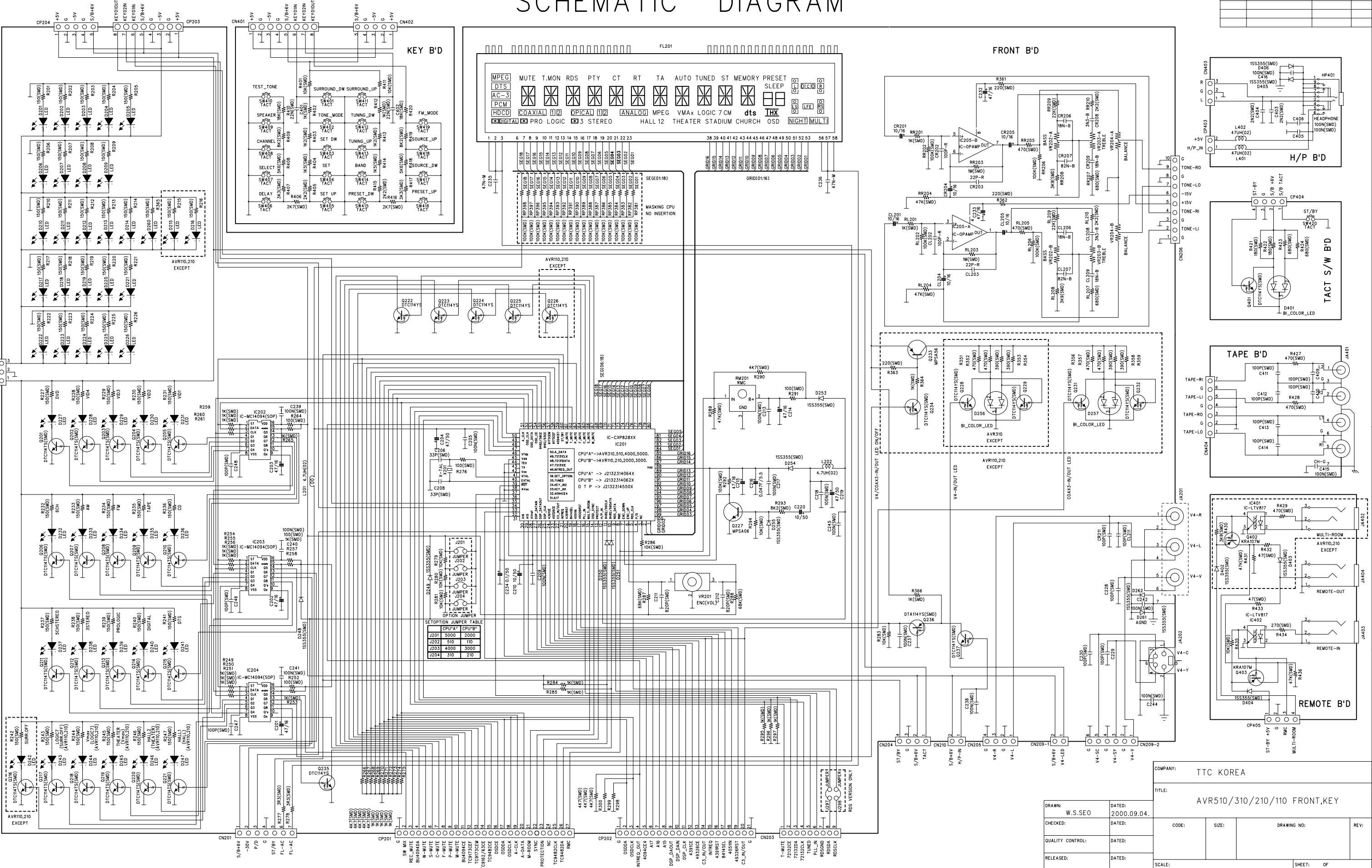


TOTAL TECHNOLOGY COMPANY

DRAWN:	DATED:	TITLE:	SIZE:	DRAWING NO.:	REV:
CHECKED:	DATED:	CODE:	SCALE:		
QUALITY CONTROL:	DATED:				
RELEASED:	DATED:				

# SCHEMATIC DIAGRAM

REVISION RECORD			
LTR	ECO NO:	APPROVED:	DATE:



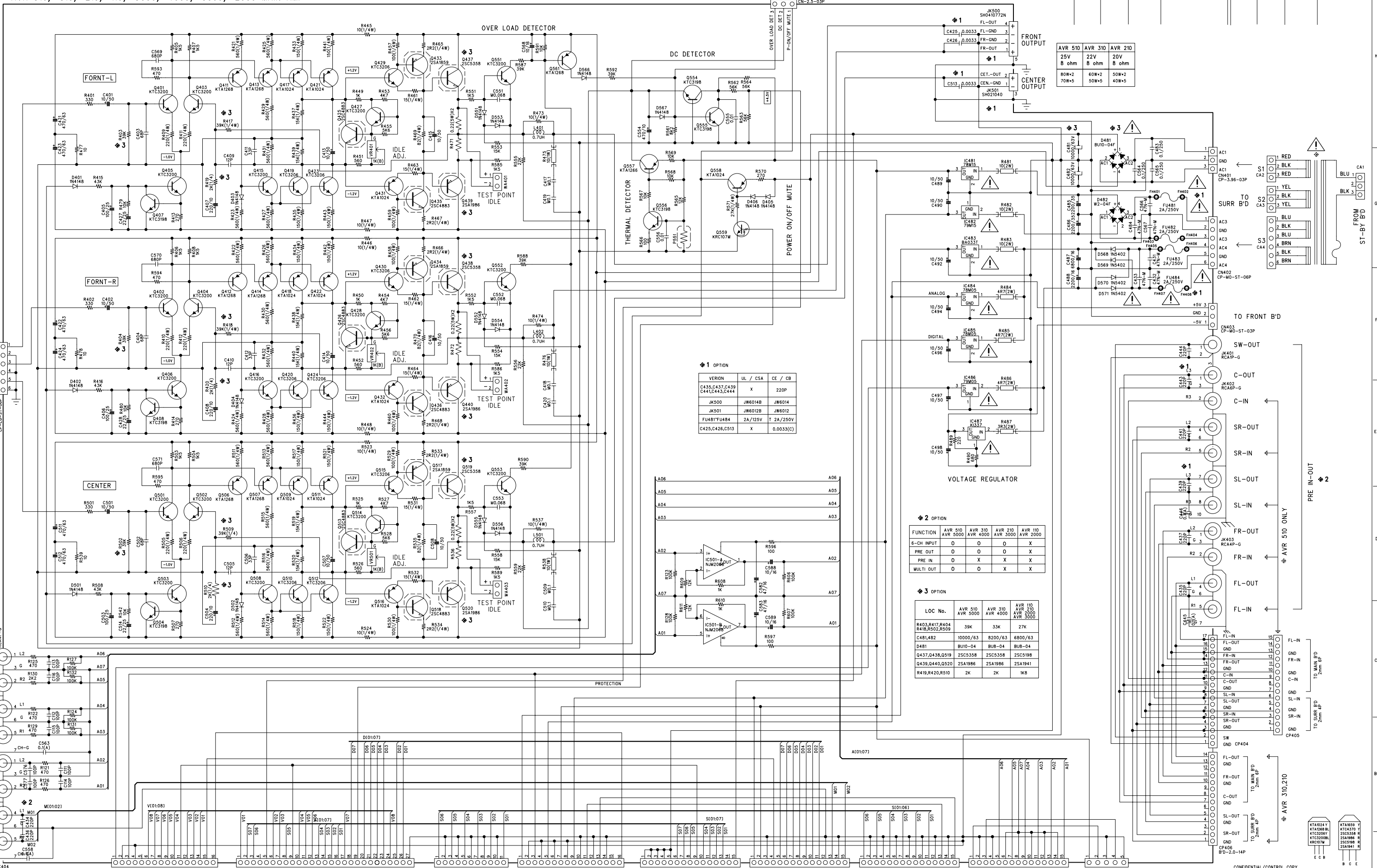
SELECTION JUMPER TABLE		
CPU'A	CPU'B	
J201	5000	2000
J202	510	110
J203	4000	3000
J204	310	210

COMPANY: TTC KOREA	
TITLE: AVR510/310/210/110 FRONT,KEY	
DRAWN: W.S.SEO	DATED: 2000.09.04.
CHECKED:	DATED:
QUALITY CONTROL:	DATED:
RELEASED:	DATED:
CODE:	SIZE:
DRAWING NO:	REV:
SCALE:	SHEET: OF

# SCHEMATIC DIAGRAM

TO SURR B'D  
CN417  
CN-2.0-03P  
M.P

NO	DATE	POS.	CONTENTS	NO	DATE	POS.	CONTENTS



❖ 1 OPTION

VERSION	UL / CSA	CE / CB
C435,C437,C439 C441,C443,C444	X	220P
JK500	JW6014B	JW6014
JK501	JW6012B	JW6012
FU481*FU484	2A/125V	T 2A/250V
C425,C426,C513	X	0.0033(C)

❖ 2 OPTION

FUNCTION	AVR 510 AVR 5000	AVR 310 AVR 4000	AVR 210 AVR 3000	AVR 110 AVR 2000
8-CH INPUT	0	0	0	X
PRE INPUT	0	0	0	X
PRE IN	0	X	X	X
MULTI OUT	0	0	X	X

❖ 3 OPTION

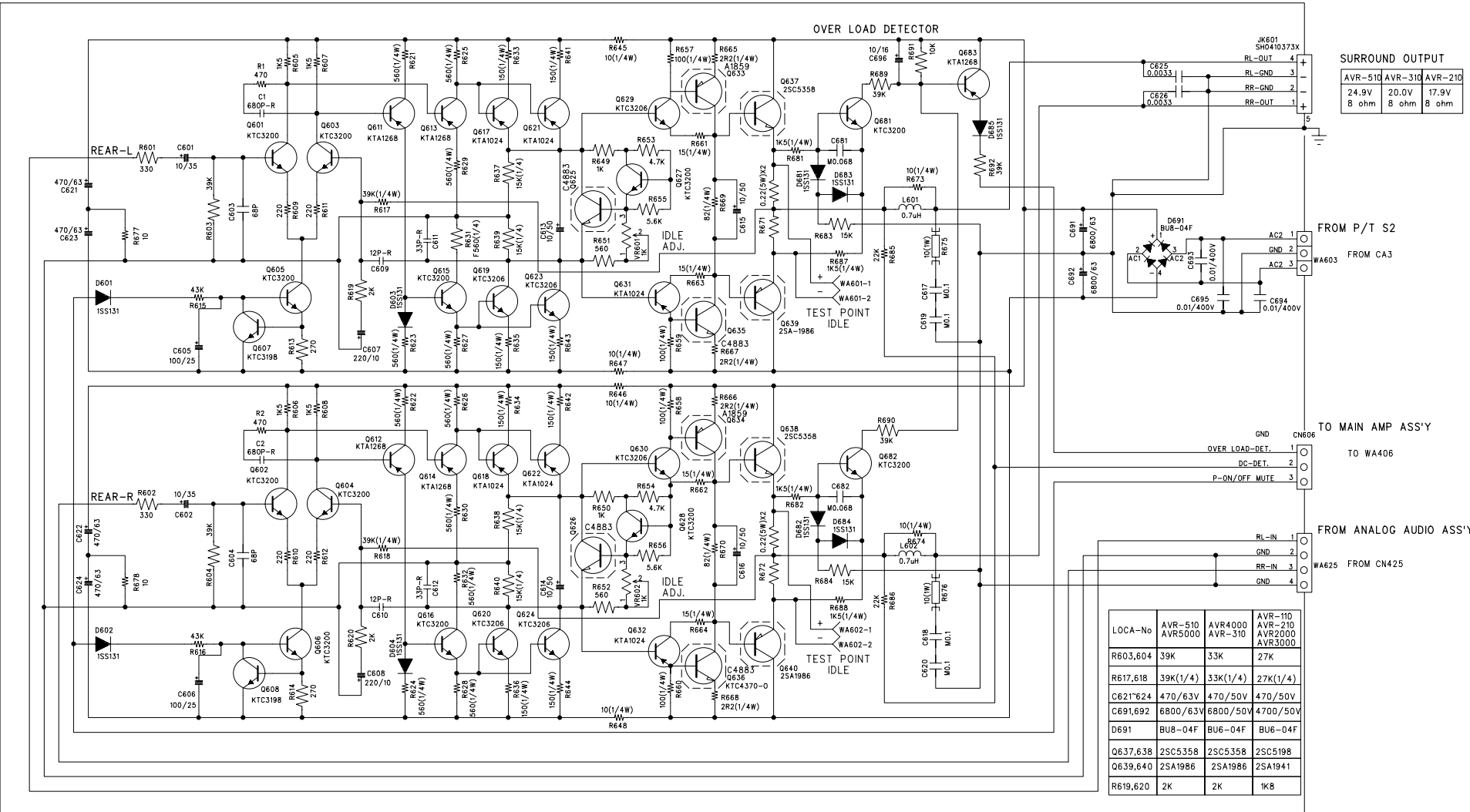
LOC No.	AVR 510 AVR 5000	AVR 310 AVR 4000	AVR 210 AVR 3000	AVR 110 AVR 2000
R403,R417,R404 R418,R502,R509	39K	33K	27K	
C481,482	10000/63	8200/63	6800/63	
D481	BU10-04	BU8-04	BU8-04	
Q437,Q438,Q519	2SC5358	2SC5358	2SC5198	
Q439,Q440,Q520	2SA1986	2SA1986	2SA1941	
R419,R420,R510	2K	2K	1K8	

AVR 510	AVR 310	AVR 210
25V	22V	20V
8 ohm	8 ohm	8 ohm
80W*2	60W*2	50W*2
70W*5	50W*5	40W*5

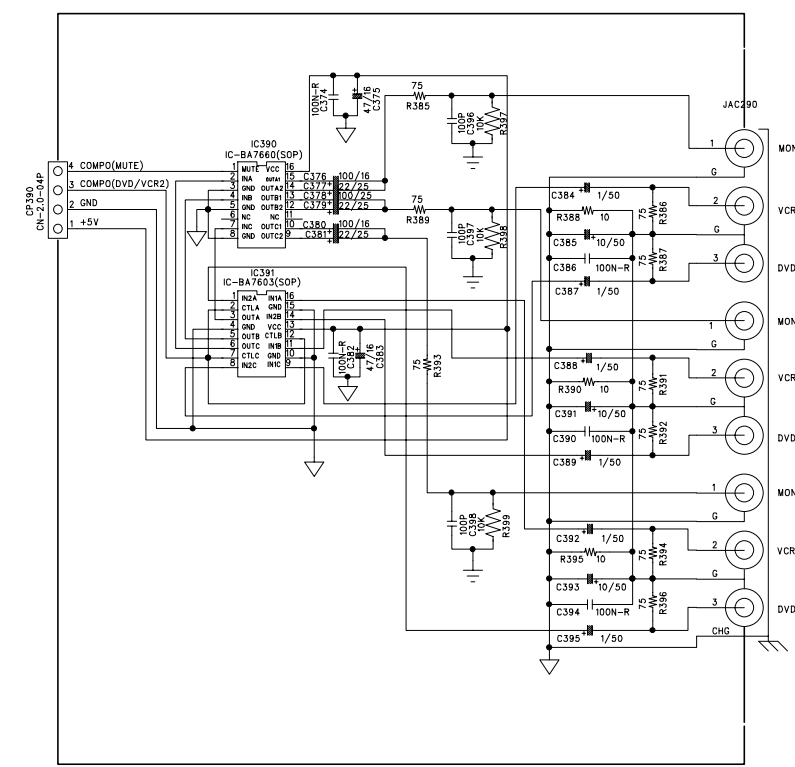


# SURROUND AMP SCHEMATIC DIAGRAM

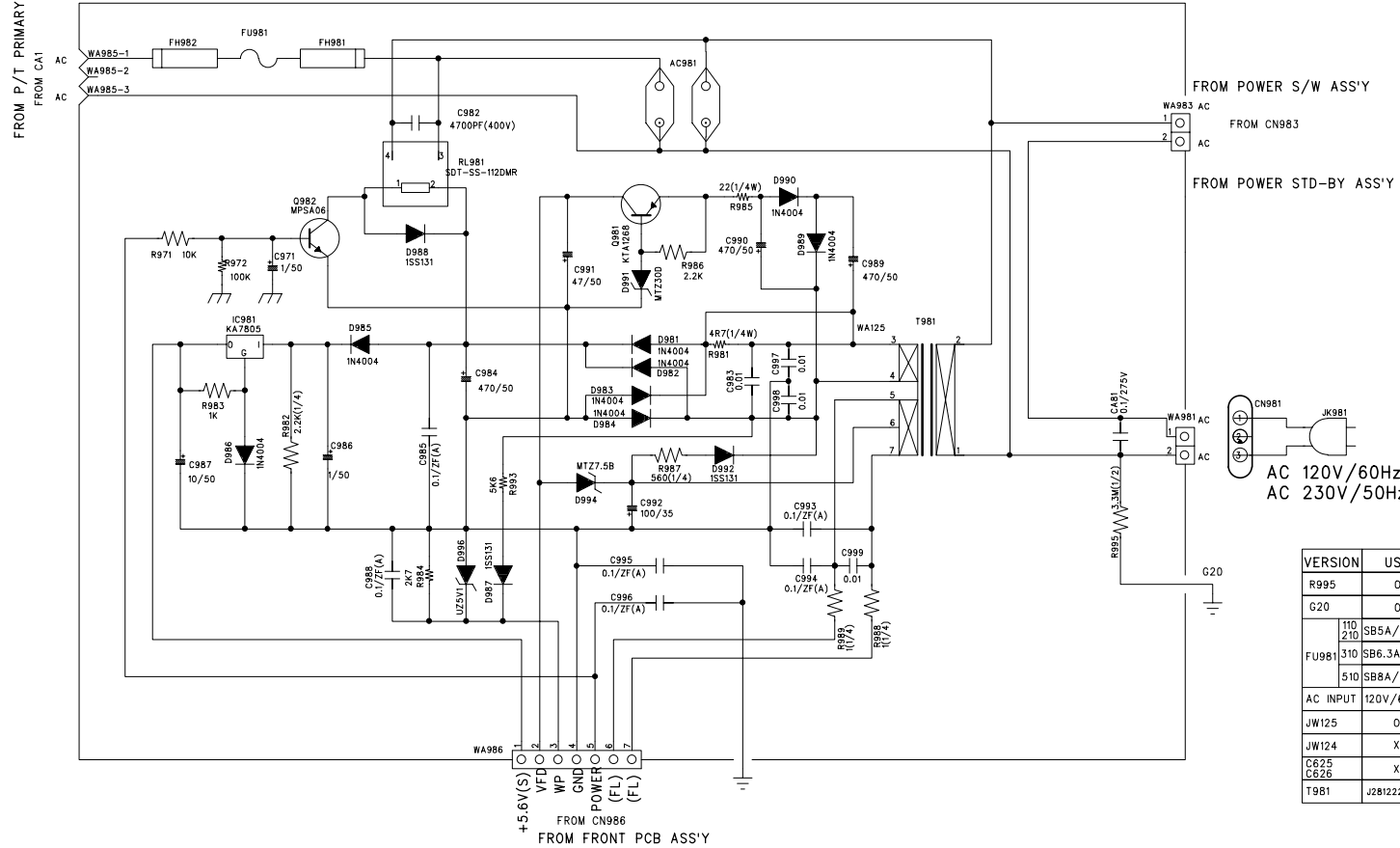
## REAR AMP ASS'Y



## COMPONENT B'D ASS'Y



## SUB POWER SUPPLY ASS'Y



VERSION	USA	EU
R995	0	X
G20	0	X
FU981	110 210 310 510	SB5A/125V T3.15A/250V T4A/250V T5A/250V
AC INPUT	120V/60Hz	230V/50Hz
JW125	0	X
JW124	X	0
T981	J2812220012X	J2812420032X

CONFIDENTIAL/CONTROL COPY				
FILENAME	CODE NO.	SHEET		
SURROUND				
MODEL	AVR510	DESIGN	CHKD	APPROVAL
DESIGN DATE	00.04.29.			

AM\_LOOP

FM ANT

FM TUNER (KST-F4G4V8-1 4GANG)

AVT, AGC, AVC, VU, AFT, AFS, AFD, AFD

AVT, AGC, AVC, VU, AFT, AFS, AFD, AFD

AVT, AGC, AVC, VU, AFT, AFS, AFD, AFD

AVT, AGC, AVC, VU, AFT, AFS, AFD, AFD

AVT, AGC, AVC, VU, AFT, AFS, AFD, AFD

AVT, AGC, AVC, VU, AFT, AFS, AFD, AFD

AVT, AGC, AVC, VU, AFT, AFS, AFD, AFD

AVT, AGC, AVC, VU, AFT, AFS, AFD, AFD

AVT, AGC, AVC, VU, AFT, AFS, AFD, AFD

AVT, AGC, AVC, VU, AFT, AFS, AFD, AFD

AVT, AGC, AVC, VU, AFT, AFS, AFD, AFD

AVT, AGC, AVC, VU, AFT, AFS, AFD, AFD

AVT, AGC, AVC, VU, AFT, AFS, AFD, AFD

AVT, AGC, AVC, VU, AFT, AFS, AFD, AFD

AVT, AGC, AVC, VU, AFT, AFS, AFD, AFD

AVT, AGC, AVC, VU, AFT, AFS, AFD, AFD

AVT, AGC, AVC, VU, AFT, AFS, AFD, AFD

AVT, AGC, AVC, VU, AFT, AFS, AFD, AFD

AVT, AGC, AVC, VU, AFT, AFS, AFD, AFD

AVT, AGC, AVC, VU, AFT, AFS, AFD, AFD

AVT, AGC, AVC, VU, AFT, AFS, AFD, AFD

AVT, AGC, AVC, VU, AFT, AFS, AFD, AFD

AVT, AGC, AVC, VU, AFT, AFS, AFD, AFD

AVT, AGC, AVC, VU, AFT, AFS, AFD, AFD

AVT, AGC, AVC, VU, AFT, AFS, AFD, AFD

AVT, AGC, AVC, VU, AFT, AFS, AFD, AFD

AVT, AGC, AVC, VU, AFT, AFS, AFD, AFD

AVT, AGC, AVC, VU, AFT, AFS, AFD, AFD

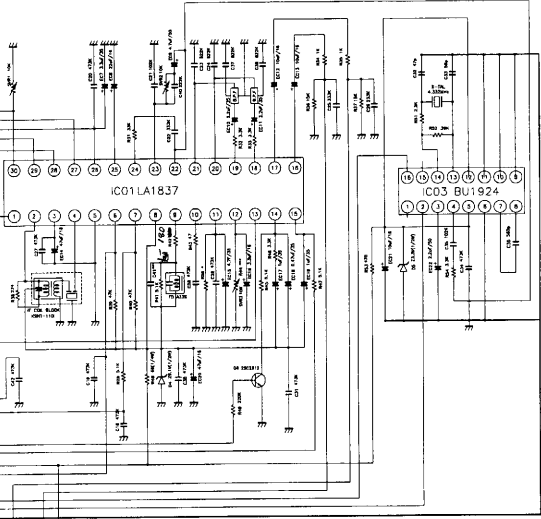
AVT, AGC, AVC, VU, AFT, AFS, AFD, AFD



CON1



CON2



AMENDMENT

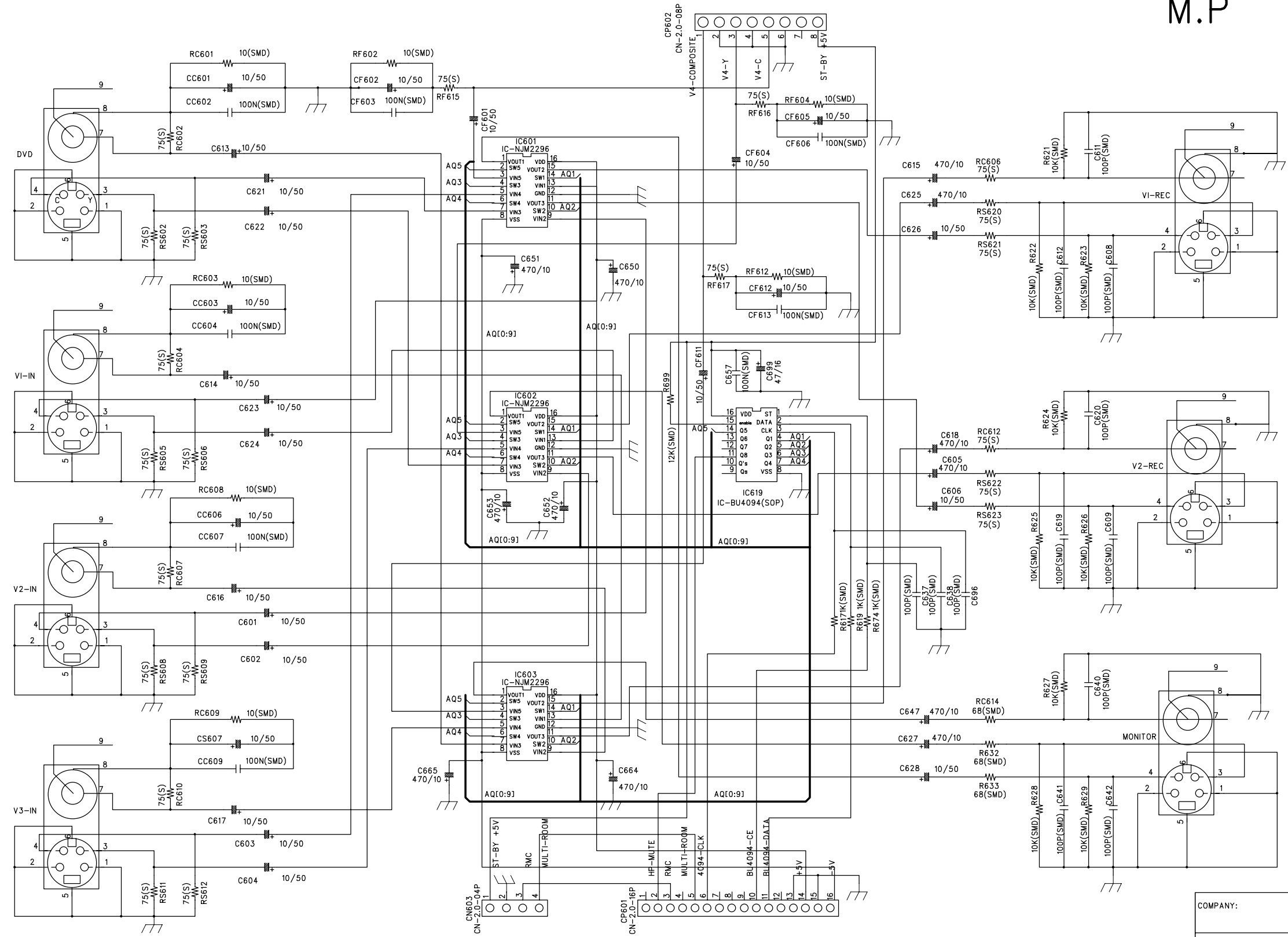
NO	PARTS NO	PARTS NAME	MATERIAL	SIZE	TREATMENT	REMARK
		MODEL NO - KST-M813MA114	UNFINISHED	SCALE:		DATE: 2000.07.26
		DRAWN	CHECKED	APPROVED		DRAW NO KSD-M060-32
						NAME SCHEMATIC DIAGRAM

2000.09.19  
(株)光星電子  
検査部

# AVR110/2000 VIDEO SCHEMATIC DIAGRAM

REVISION RECORD			
LTR	ECO NO:	APPROVED:	DATE:

## M.P

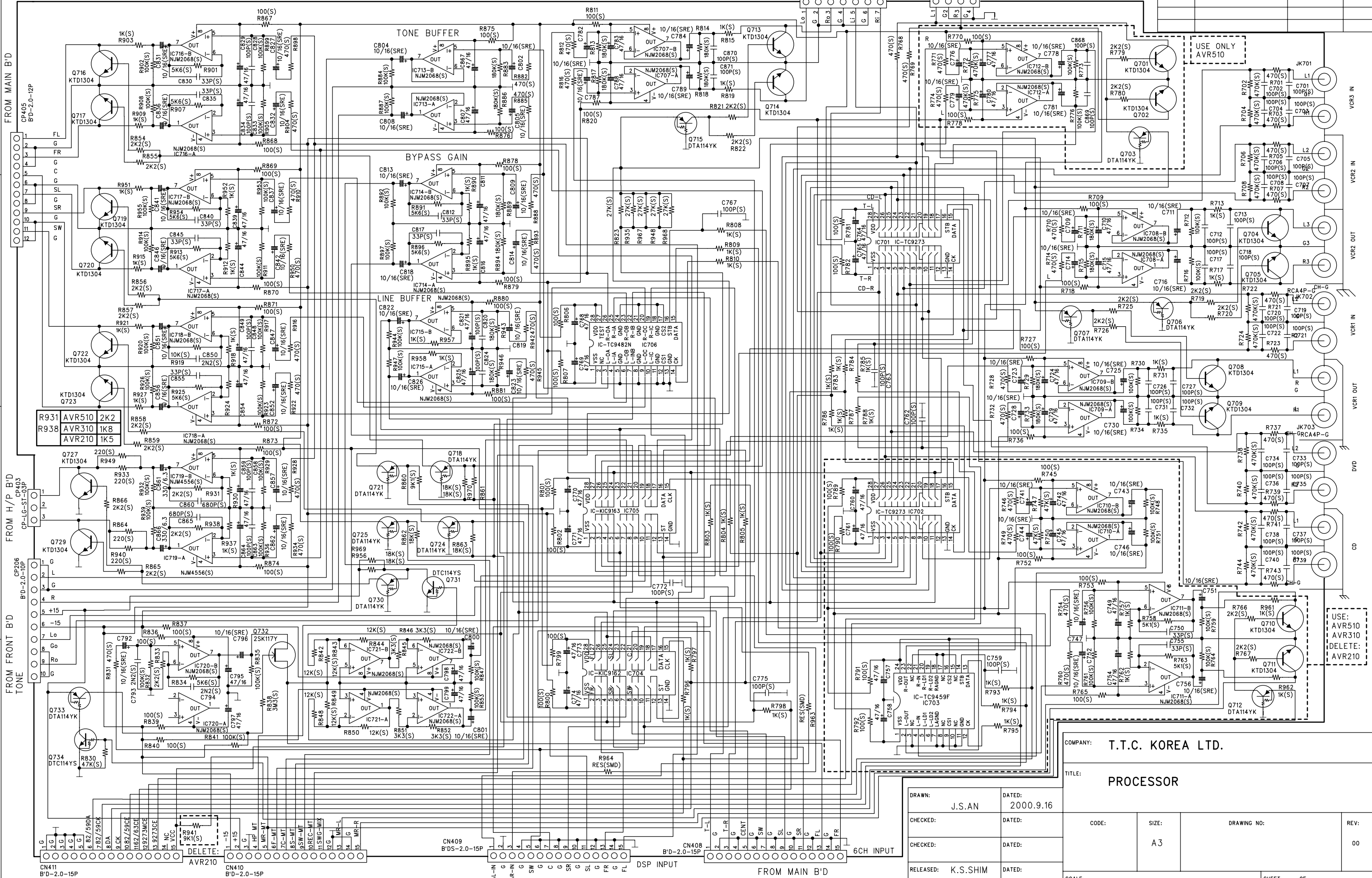


COMPANY:			
TITLE:			
DRAWN:	DATED:	CODE:	SIZE:
CHECKED:	DATED:	DRAWING NO:	
QUALITY CONTROL:	DATED:	REV:	
RELEASED:	DATED:	SCALE:	SHEET: OF

# AVR110/210/310/510/2000/3000/4000/5000 SCHEMATIC DIAGRAM

REVISION RECORD			
LTR	ECO NO:	APPROVED:	DATE:

MP

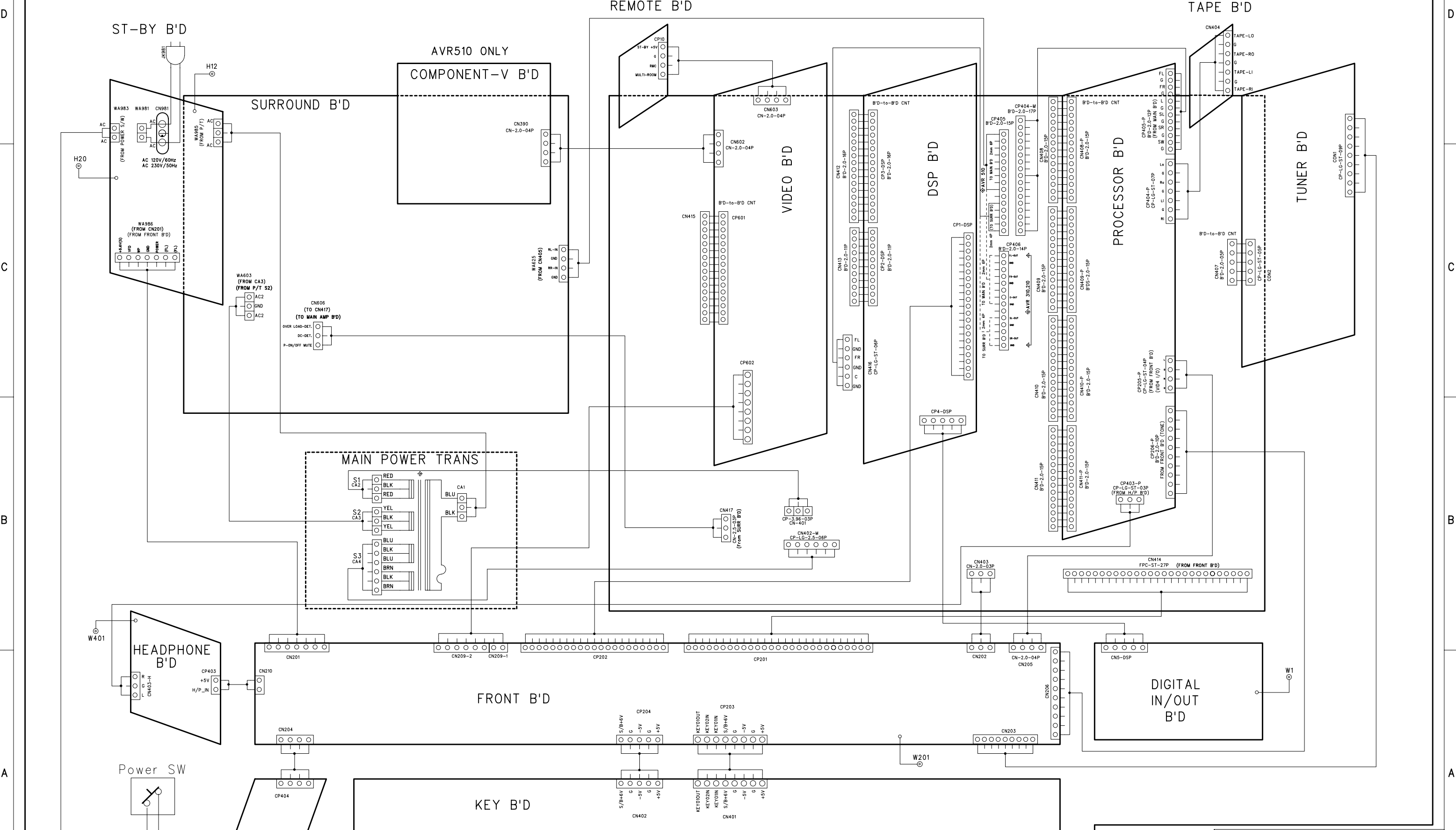


COMPANY: <b>T.T.C. KOREA LTD.</b>	
TITLE: <b>PROCESSOR</b>	
DRAWN: J.S.AN	DATED: 2000.9.16
CHECKED:	DATED:
CHECKED:	DATED:
RELEASED: K.S.SHIM	DATED:
CODE:	SIZE: A3
DRAWING NO:	REV: 00
SCALE:	SHEET: OF

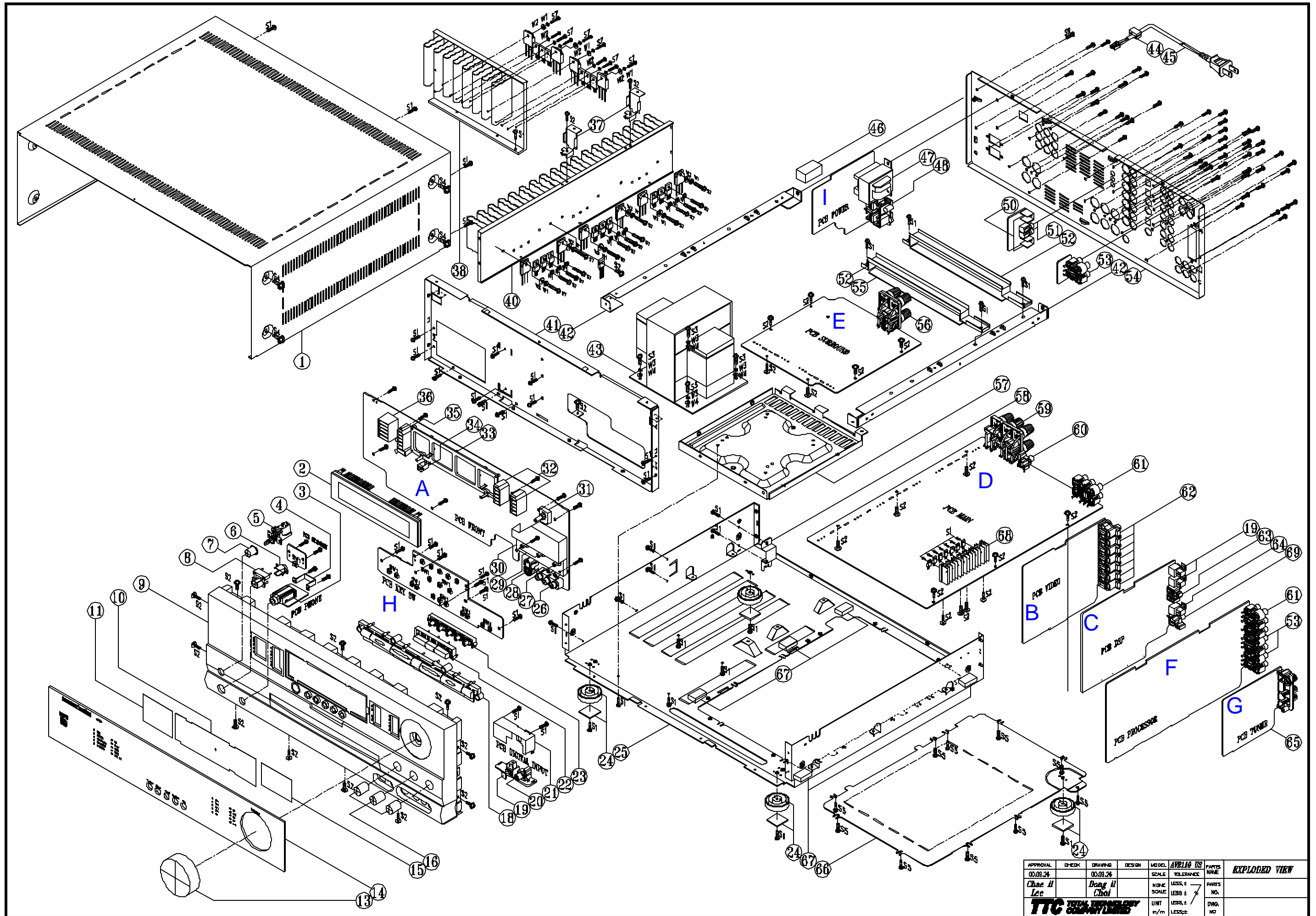
# WIRING DIAGRAM

MODEL:AVR110/210/310/510  
AVR2000/3000/4000/5000

REVISION RECORD			
LTN	ECO NO:	APPROVED:	DATE:



DRAWN: H J AN		DATED: JUN.19, 2000		COMPANY: T.T.C. KOREA LTD.	
CHECKED:		DATE:		TITLE: WIRING	
QUALITY CONTROL:		DATE:		CODE:	SIZE:
RELEASED:		DATE:		DRAWING NO:	REV:
SCALE:		SHEET: 1 of 1			



APPROVAL	CHECK	DRAWING	DESIGN	MODEL	AVAILAB	USE	PARTS	EXPLODED VIEW
00.08.24		00.08.24		SCALE	TOLERANCE		NAME	
Chae Il		Dong Il		NONE	LESS ±		NO.	
Lee		Choi		SCALE	LESS ±		DWG.	
				UNIT	LESS ±		NO.	
				mm	LESS ±			

PL DWG NO.: 4KJHAVRD

**PL TITLE : AVR SERIES MECH PL**

ISSUE DATE: 05-22-00

ISSUED BY : CHICK PETER

\* = CRITICAL ITEM

ITEM	DRAWING NO.	PART NAME/TEXT	UM	QTY	FAC
A	JE00007702EA	FRONT BD ASM AVR2000EU	PC	1	
A	JE00007703EA	FRONT BD ASM AVR3000EU	PC	1	
A	JE00007704EA	FRONT BD ASM AVR4000EU	PC	1	
A	JE00007705EA	FRONT BD ASM AVR5000EU	PC	1	
B	JE00008502EA	VIDEO BD ASM AVR2000EU	PC	1	
B	JE00008503EA	VIDEO BD ASM AVR3000/4000EU	PC	1	
B	JE00008505EA	VIDEO BD ASM AVR5000EU	PC	1	
C	JE00009302EA	DSP BD ASM AVR2000EU	PC	1	
C	JE00009303EA	DSP BD ASM AVR3000EU	PC	1	
C	JE00009304EA	DSP BD ASM AVR4000EU	PC	1	
C	JE00009305EA	DSP BD ASM AVR5000EU	PC	1	
D	JE00009902EA	MAIN BD ASM AVR2000EU	PC	1	
D	JE00009903EA	MAIN BD ASM AVR3000EU	PC	1	
D	JE00009904EA	MAIN BD ASM AVR4000EU	PC	1	
D	JE00009905EA	MAIN BD ASM AVR5000EU	PC	1	
E	JE00010102EA	SURROUND BD ASM AVR2000EU	PC	1	
E	JE00010103EA	SURROUND BD ASM AVR3000EU	PC	1	
E	JE00010104EA	SURROUND BD ASM AVR4000EU	PC	1	
E	JE00010105EA	SURROUND BD ASM AVR5000EU	PC	1	
F	JE00008902UA	PROCESSOR BD ASM AVR2000/3000EU	PC		
F	JE00008903UA	PROCESSOR BD ASM AVR4000EU	PC		
F	JE00008905UA	PROCESSOR BD ASM AVR5000EU	PC		
G	J4099100180X	TUNER EU KST-9011 AVR2/3/4/5000EU	PC	1	
H	JE00008102UA	KEY BD ASM AVR2000/3000EU	PC		
H	JE00008103UA	KEY BD ASM AVR4000/5000EU	PC		
I	NO PARTS	POWER BD ASM AVR2000EU	PC		
I	NO PARTS	POWER BD ASM AVR3000EU	PC		
I	NO PARTS	POWER BD ASM AVR4000EU	PC		
I	NO PARTS	POWER BD ASM AVR5000EU	PC		
9	J85000017300	PANEL FRONT AVR5000EU	PC	1	
9	J85000017400	PANEL FRONT AVR4000EU	PC	1	
9	J85000017500	PANEL FRONT AVR2000/3000EU	PC	1	
/	JE00007702EA	FRONT PANEL ASSY AVR2000EU	PC		
/	JE00007703EA	FRONT PANEL ASSY AVR3000EU	PC		
/	JE00007704EA	FRONT PANEL ASSY AVR4000EU	PC		
/	JE00007705EA	FRONT PANEL ASSY AVR5000EU	PC		
13	J85100022000	KNOB VOLUM MAIN HIPS 94H AVR2/3/4/5000EU	PC	1	
16	J85100009000	KNOB TONE HIPS AVR2/3/4/5000EU	PC	1	
14	J85300020501	WINDOW W/BADGE AVR5000EU	PC	1	
14	J85300020601	WINDOW W/BADGE AVR4000EU	PC	1	
14	J85300020701	WINDOW W/BADGE AVR3000EU	PC	1	
14	J85300020801	WINDOW W/BADGE AVR2000EU	PC	1	
10	J85500004000	FILTER DISPLAY AVR2/3/4/5000EU	PC	1	
5	J46205000001	SW PUSH, POWER, SD AVR2/3/4/5000EU	PC	1	
/	J4305100061X	CNT ASSY 2P 500MME	PC	1	
/	J4305100075X	CNT ASS'Y 2P 500MM	PC	1	
/	J4305100076X	CNT ASS'Y 2P 500MM	PC	1	
7	J85200049000	BUTTON POWER HIPS AVR2/3/4/5000EU	PC	1	
8	J85200052000	BUTTON STANDBY AVR2/3/4/5000EU	PC	1	
22	J85200051000	BUTTON 3-KEYS HIPS AVR2/3/4/5000EU	PC		
23	J85200053000	BUTTON 5-KEYS HIPS AVR2/3/4/5000EU	PC		

18	J85200050000	BUTTON 7-KEYS HIPS AVR2/3/4/5000EU	PC	
6	J85400019000	INDICATOR STANDBY	PC	1
17	J85400020000	INDICATOR VIDEO 4	PC	1
4	J60300002000	BRACKET HEADPHONE	PC	1
1	J60100008000	COVER TOP AVR2/3/4/5000EU	PC	1
25	J60000010000	CHASSIS MAIN AVR2/3/4/5000EU	PC	1
66	J60120501100	COVER-BOTTOM AVR2/3/4/5000EU	PC	1
/	J5636140220X	SCREW AVR2/3/4/5000EU	PC	1
57	J60120502000	TRANS-BOTTOM	PC	1
24	J859000501000	FOOT-ASS'Y AVR2/3/4/5000EU	PC	1
24	J859000503000	FOOT-RUBBER AVR2/3/4/5000EU	PC	1
/	J60200012000	FRAME-GUIDE SECC T	PC	1
/	J603000501000	BRKT-PCB	PC	1
/	J5214004010X	BRKT MAIN H/S AVR2	PC	1
55	J972000503000	CUSHION-BRK'T EVA AVR2/3/4/5000EU	PC	1
/	J60020003200	CH FRONT SECC 1.0T	PC	1
40	J60500009000	HEATSINK MAIN AVR4/5	PC	1
40	J60500011000	HEATSINK MAIN AVR3	PC	1
40	J60500014000	HEATSINK MAIN AVR2	PC	1
/	J5241004030X	HEAT-SINK(POWER)35	PC	1
38	J60500010000	HEATSINK SURROUND	PC	1
38	J60500012000	HEATSINK SURROUND	PC	1
38	J60500015000	HEATSINK SURROUND	PC	1
W1	J5541001010X	WASHER SPRING	PC	1
W2	J5541001020X	WASHER FLAT	PC	1
43	J2802410022X	POWER TRANS 230/50 AVR4000EU	PC	1
43	J2802410051X	POWER TRANS 230/50 AVR2000/3000EU	PC	1
43	J2802410061X	POWER TRANS 230/50 AVR5000EU	PC	1
47	J2812420032X	STAND-BY TRANSFORMER AVR2/3/4/5000EU		
45	J2161001032X	CORD POWER CE AVR2/3/4/5000EU	PC	1
W3	J5541001030X	WASHER SPRING	PC	1
W4	J5541001040X	WASHERPLAT INNER	PC	1
54	J60110009100	PANEL REAR SAVR5000	PC	1
54	J60110009300	PANEL REAR AVR4000	PC	1
54	J60110009500	PANEL REAR AVR3000	PC	1
54	J60110009700	PANEL REAR AVR2000	PC	1
44	J65100000100	BUSHING-AC CORD	PC	1
/	J972000501000	PCB SPONGE	PC	1
46	J972000502000	CUSHION(A)EVA AVR2/3/4/5000EU	PC	1
S1	J5636140010X	SCREW	PC	1
S2	J5636140040X	SCREW	PC	1
/	J5636130080X	SCREW	PC	1
/	JAVR7000SCRW	SCREW 3X12PT AVR2/3/4/5000EU	PC	1
S3	J5636140080X	SCREW A124008000 AVR2/3/4/5000EU	PC	1
S9	J90720301080	SCREW 3*10 TEETH T	PC	1
S4	J5636140150X	SCREW AVR2/3/4/5000EU	PC	1



PL DWG NO.: JE000077

**PL TITLE : AVR SER.FRONT BD ASM**

ISSUE DATE: 05-22-00

ISSUED BY : KK HO

\* = CRITICAL ITEM

E	ITEM	DRAWING NO.	PART NAME/TEXT	UM	QTYFAC
	#005	JE00007702EA	AVR2000EU FRTBD AS	PC	
	#006	JE00007703EA	AVR3000EU FRTBD AS	PC	
	#007	JE00007704EA	AVR4000EU FRTBD AS	PC	
	#008	JE00007705EA	AVR5000EU FRTBD AS	PC	
	'050	7043654016	D-SLP 1N4148 100.0	PC	1
	'051	J63330000600	SPONGE SENSOR H:25	PC	1
	'052	J4420040300X	CNT PLUG 2.5 3P	PC	1
	CN201	J4305100051X	CNT ASSY 7P 450MM	PC	1
	CN202	J4305100052X	CNT ASSY 3P 620MM	PC	1
	CN203	J4305100055X	CNT ASSY 9P 400MM	PC	1
	CN204	J4305100053X	CNT ASSY 4P 100MM	PC	1
	CN205	J4305100058X	CNT ASSY 4P 360MM	PC	1
	CN206	J4305100057X	CNT ASSY 10P 220MM	PC	1
	CN207	J4112213801X	FPC CABLE 21P 380M	PC	1
	CN208	J4112275001X	FPC CABLE 27P 500M	PC	1
	CN209	J4305100059X	CNT ASSY 8P 500MM	PC	1
	CN210	J4305100063X	CNT ASSY 2P 100MM	PC	1
	CP201	J4422212740X	FPC PLUG 27P 1.25	PC	1
	CP202	J4422212140X	FPC PLUG 21P 1.25M	PC	1
	CP203	J4420030840X	CNT PLUG 2.0 ST 8P	PC	1
	CP204	J4420030540X	CNT PLUG 2.0 ST 5P	PC	1
	C203	2026783030	CE 47U0F +20% 16.0	PC	1
	C210	2026888030	CE 10U0F +20% 50.0	PC	1
	C216	J3433247321X	CAP GOLD 0.047F 5.	PC	1
	D201	J2301213022X	LED GN LTL1CHGEC 3	PC	1
	D202	J2301213022X	LED GN LTL1CHGEC 3	PC	1
	D203	J2301213022X	LED GN LTL1CHGEC 3	PC	1
	D204	J2301213022X	LED GN LTL1CHGEC 3	PC	1
	D205	J2301213022X	LED GN LTL1CHGEC 3	PC	1
	D206	J2301213022X	LED GN LTL1CHGEC 3	PC	1
	D207	J2301213022X	LED GN LTL1CHGEC 3	PC	1
	D208	J2301213022X	LED GN LTL1CHGEC 3	PC	1
	D209	J2301213022X	LED GN LTL1CHGEC 3	PC	1
	D210	J2301213022X	LED GN LTL1CHGEC 3	PC	1
	D211	J2301213022X	LED GN LTL1CHGEC 3	PC	1
	D212	J2301213022X	LED GN LTL1CHGEC 3	PC	1
	D213	J2301213022X	LED GN LTL1CHGEC 3	PC	1
	D214	J2301213022X	LED GN LTL1CHGEC 3	PC	1
	D215	J2301213022X	LED GN LTL1CHGEC 3	PC	1
	D216	J2301213022X	LED GN LTL1CHGEC 3	PC	1
	D217	J2301213022X	LED GN LTL1CHGEC 3	PC	1
	D218	J2301213022X	LED GN LTL1CHGEC 3	PC	1
	D219	J2301213022X	LED GN LTL1CHGEC 3	PC	1
	D220	J2301213022X	LED GN LTL1CHGEC 3	PC	1
	D221	J2301213022X	LED GN LTL1CHGEC 3	PC	1
	D222	J2301213022X	LED GN LTL1CHGEC 3	PC	1
	D223	J2301213022X	LED GN LTL1CHGEC 3	PC	1
	D224	J2301213022X	LED GN LTL1CHGEC 3	PC	1
	D225	J2301213022X	LED GN LTL1CHGEC 3	PC	1
	D226	J2301213022X	LED GN LTL1CHGEC 3	PC	1
	D227	J2301213022X	LED GN LTL1CHGEC 3	PC	1

D228	J2301213022X	LED GN LTL1CHGEC 3	PC	1
D229	J2301213022X	LED GN LTL1CHGEC 3	PC	1
D230	J2301213022X	LED GN LTL1CHGEC 3	PC	1
D231	J2301213022X	LED GN LTL1CHGEC 3	PC	1
D232	J2301213022X	LED GN LTL1CHGEC 3	PC	1
D233	J2301213022X	LED GN LTL1CHGEC 3	PC	1
D234	J2301213022X	LED GN LTL1CHGEC 3	PC	1
D235	J2301213022X	LED GN LTL1CHGEC 3	PC	1
D236	J2301213022X	LED GN LTL1CHGEC 3	PC	1
D237	J2301213022X	LED GN LTL1CHGEC 3	PC	1
D238	J2301213022X	LED GN LTL1CHGEC 3	PC	1
D239	J2301213022X	LED GN LTL1CHGEC 3	PC	1
D240	J2301213022X	LED GN LTL1CHGEC 3	PC	1
D241	J2301213022X	LED GN LTL1CHGEC 3	PC	1
D242	J2301213022X	LED GN LTL1CHGEC 3	PC	1
D243	J2301213022X	LED GN LTL1CHGEC 3	PC	1
D244	J2301213022X	LED GN LTL1CHGEC 3	PC	1
D245	J2301213022X	LED GN LTL1CHGEC 3	PC	1
D246	J2301213022X	LED GN LTL1CHGEC 3	PC	1
D247	J2301213022X	LED GN LTL1CHGEC 3	PC	1
D256	J2302210012X	LED RED/GREEN 3F	PC	1
D257	J2302210012X	LED RED/GREEN 3F	PC	1
D260	J2301213022X	LED GN LTL1CHGEC 3	PC	1
FL201	J2352230020X	VFD HNA-16LL15	PC	1
FN201	J60600006000	SHIELD FENCE TONE	PC	1
IC201	J2132314070X	IC CPU CXP82860-31	PC	1
IC201	J2132314071X	IC CPU CXP82860-31	PC	1
IC201	J2132314074X	IC CPU DCR600 CXP8	PC	1
IC201	J2132314075X	IC CPU CXP82860-32	PC	1
IC205	J2110212000X	IC OPAMP 2068DD	PC	1
JA201	J44303000100	JACK RCA 3P	PC	1
JA202	J44311000100	JACK S-VIDEO 1P	PC	1
L201	J2616247920X	COIL 4.7UH K	PC	1
L202	J2616247920X	COIL 4.7UH K	PC	1
RM201	J2411220017X	REM 38HZ	PC	1
RM201	J2411320014X	REM 38KHZ	PC	1
VR201	J32616100001	ENCODER EC 16E	PC	1
VR202	J32214000201	VR-ROTARY 14MM	PC	1
VR203	J32214000201	VR-ROTARY 14MM	PC	1
VR204	J32214000101	VR-ROTARY 14MM	PC	1
C2 W201	J4305100025X	LUG WIRE 1P 200MM	PC	1
X201	J3911030020X	RESONATOR ZTA10MTT	PC	1

PL DWG NO.: JE000078

**PL TITLE : AVR SER.FRONT BD APP**

ISSUE DATE: 05-22-00

ISSUED BY : KK HO

\* = CRITICAL ITEM

E	ITEM	DRAWING NO.	PART NAME/TEXT	UM	QTYFAC
	#005	JE00007802EA	AVR2000EU FRTBD AP	PC	
	#006	JE00007803EA	AVR3000EU FRTBD AP	PC	
	#007	JE00007804EA	AVR4000EU FRTBD AP	PC	
	#008	JE00007805EA	AVR5000EU FRTBD AP	PC	
	'021	J4020100070A	PCB FRONT 384*163	PC	1
	CL201	1500213030	CE 10U0F +20% 16.0	PC	1
	CL202	3093623071	CC 100P0F +5% -5%	PC	1
	CL203	8043459071	CC 22P0F +5% -5% 5	PC	1

CL204	1500213030	CE 10U0F +20% 16.0	PC	1
CL205	1500213030	CE 10U0F +20% 16.0	PC	1
CL206	J3640183232X	CAP M POLY 18NF 10	PC	1
CL207	J3640823232X	CAP M POLY 82NF 10	PC	1
CL208	J3640332232X	CAP POLY 3N3F 100V	PC	1
CL209	J3640183232X	CAP M POLY 18NF 10	PC	1
CR201	1500213030	CE 10U0F +20% 16.0	PC	1
CR202	3093623071	CC 100P0F +5% -5%	PC	1
CR203	8043459071	CC 22P0F +5% -5% 5	PC	1
CR204	1500213030	CE 10U0F +20% 16.0	PC	1
CR205	1500213030	CE 10U0F +20% 16.0	PC	1
CR206	J3640183232X	CAP M POLY 18NF 10	PC	1
CR207	J3640823232X	CAP M POLY 82NF 10	PC	1
CR208	J3640332232X	CAP POLY 3N3F 100V	PC	1
CR209	J3640183232X	CAP M POLY 18NF 10	PC	1
C201	2026783030	CE 47U0F +20% 16.0	PC	1
C202	2026783030	CE 47U0F +20% 16.0	PC	1
C204	2026901030	CE 47U0F +20% 50.0	PC	1
C214	2026783030	CE 47U0F +20% 16.0	PC	1
C215	2026783030	CE 47U0F +20% 16.0	PC	1
C219	2026901030	CE 47U0F +20% 50.0	PC	1
C220	2026888030	CE 10U0F +20% 50.0	PC	1
C232	2026783030	CE 47U0F +20% 16.0	PC	1
C233	2026783030	CE 47U0F +20% 16.0	PC	1
C234	J3470110871X	CE SG 0.1UF 50V M	PC	1
C235	J3600473330X	CP .047U 100V K	PC	1
C236	J3600473330X	CP .047U 100V K	PC	1
Q222	J2021220001X	TR NPN KRC107M	PC	1
Q222	J2021220102X	TR NPN DTC114YSA	PC	1
Q223	J2021220001X	TR NPN KRC107M	PC	1
Q223	J2021220102X	TR NPN DTC114YSA	PC	1
Q224	J2021220001X	TR NPN KRC107M	PC	1
Q224	J2021220102X	TR NPN DTC114YSA	PC	1
Q225	J2021220001X	TR NPN KRC107M	PC	1
Q225	J2021220102X	TR NPN DTC114YSA	PC	1
Q226	J2021220001X	TR NPN KRC107M	PC	1
Q226	J2021220102X	TR NPN DTC114YSA	PC	1
Q227	J2021020801X	TR MPSA06 Y TO-92	PC	1
Q233	J2021000601X	TR PNP MPSA56 Y	PC	1
Q235	J2021220001X	TR NPN KRC107M	PC	1
Q235	J2021220102X	TR NPN DTC114YSA	PC	1

PL DWG NO.: JE000080

**PL TITLE : AVR SER. FRONT BD SMT**

ISSUE DATE: 05-22-00

ISSUED BY : KK HO

\* = CRITICAL ITEM

E	ITEM	DRAWING NO.	PART NAME/TEXT	UM	QTYFAC
	#005	JE00008002EA	AVR2000EU FRTBD SM	PC	
	#006	JE00008003EA	AVR3000EU FRTBD SM	PC	
	#007	JE00008004EA	AVR4000EU FRTBD SM	PC	
	#008	JE00008005EA	AVR5000EU FRTBD SM	PC	
	CL211	1105867091	CCCFMIN 100P0F +5%	PC	1
	CR211	1105867091	CCCFMIN 100P0F +5%	PC	1
	C205	2026729091	CCCFMIN 100N0F +80	PC	1
	C206	5088236091	CCCFMIN 33P0F +5%	PC	1
	C208	5088236091	CCCFMIN 33P0F +5%	PC	1

C209		2026729091 CCCFMIN 100N0F +80	PC	1
C211		1507090091 CCCFMIN 820P0F +10	PC	1
C212		1507090091 CCCFMIN 820P0F +10	PC	1
C213		2026729091 CCCFMIN 100N0F +80	PC	1
C217		2026729091 CCCFMIN 100N0F +80	PC	1
C218		2026729091 CCCFMIN 100N0F +80	PC	1
C228		1105867091 CCCFMIN 100P0F +5%	PC	1
C229		1105867091 CCCFMIN 100P0F +5%	PC	1
C230		1105867091 CCCFMIN 100P0F +5%	PC	1
C237		2026729091 CCCFMIN 100N0F +80	PC	1
C238		2026729091 CCCFMIN 100N0F +80	PC	1
C239		2026729091 CCCFMIN 100N0F +80	PC	1
C240		2026729091 CCCFMIN 100N0F +80	PC	1
C241		2026729091 CCCFMIN 100N0F +80	PC	1
C242		2026729091 CCCFMIN 100N0F +80	PC	1
C244		2026729091 CCCFMIN 100N0F +80	PC	1
C245		2026729091 CCCFMIN 100N0F +80	PC	1
C246		1105867091 CCCFMIN 100P0F +5%	PC	1
C247		1105867091 CCCFMIN 100P0F +5%	PC	1
C248		1105867091 CCCFMIN 100P0F +5%	PC	1
D248	J2244010104X	DIODE CHIP 1SS355	PC	1
D249	J2244010104X	DIODE CHIP 1SS355	PC	1
D250	J2244010104X	DIODE CHIP 1SS355	PC	1
D251	J2244010104X	DIODE CHIP 1SS355	PC	1
D253	J2244010104X	DIODE CHIP 1SS355	PC	1
D254	J2244010104X	DIODE CHIP 1SS355	PC	1
D255	J2244010104X	DIODE CHIP 1SS355	PC	1
D261	J2244010104X	DIODE CHIP 1SS355	PC	1
D262	J2244010104X	DIODE CHIP 1SS355	PC	1
D263		8044051091 RMGCFMIN 0 OHM +0%	PC	1
D264		8044051091 RMGCFMIN 0 OHM +0%	PC	1
IC202	J2141004002X	IC BU4094 SOP16	PC	1
IC203	J2141004002X	IC BU4094 SOP16	PC	1
IC204	J2141004002X	IC BU4094 SOP16	PC	1
Q201	J2041220202X	TR DTC114TK SMT3	PC	1
Q201	J2041220701X	TR KRC111S SOT23	PC	1
Q202	J2041220202X	TR DTC114TK SMT3	PC	1
Q202	J2041220701X	TR KRC111S SOT23	PC	1
Q203	J2041220202X	TR DTC114TK SMT3	PC	1
Q203	J2041220701X	TR KRC111S SOT23	PC	1
Q204	J2041220202X	TR DTC114TK SMT3	PC	1
Q204	J2041220701X	TR KRC111S SOT23	PC	1
Q205	J2041220202X	TR DTC114TK SMT3	PC	1
Q205	J2041220701X	TR KRC111S SOT23	PC	1
Q206	J2041220202X	TR DTC114TK SMT3	PC	1
Q206	J2041220701X	TR KRC111S SOT23	PC	1
Q207	J2041220202X	TR DTC114TK SMT3	PC	1
Q207	J2041220701X	TR KRC111S SOT23	PC	1
Q208	J2041220202X	TR DTC114TK SMT3	PC	1
Q208	J2041220701X	TR KRC111S SOT23	PC	1
Q209	J2041220202X	TR DTC114TK SMT3	PC	1
Q209	J2041220701X	TR KRC111S SOT23	PC	1
Q210	J2041220202X	TR DTC114TK SMT3	PC	1
Q210	J2041220701X	TR KRC111S SOT23	PC	1
Q211	J2041220202X	TR DTC114TK SMT3	PC	1
Q211	J2041220701X	TR KRC111S SOT23	PC	1
Q212	J2041220202X	TR DTC114TK SMT3	PC	1
Q212	J2041220701X	TR KRC111S SOT23	PC	1

Q213	J2041220202X	TR DTC114TK SMT3	PC	1
Q213	J2041220701X	TR KRC111S SOT23	PC	1
Q214	J2041220202X	TR DTC114TK SMT3	PC	1
Q214	J2041220701X	TR KRC111S SOT23	PC	1
Q215	J2041220202X	TR DTC114TK SMT3	PC	1
Q215	J2041220701X	TR KRC111S SOT23	PC	1
Q216	J2041220202X	TR DTC114TK SMT3	PC	1
Q216	J2041220701X	TR KRC111S SOT23	PC	1
Q217	J2041220202X	TR DTC114TK SMT3	PC	1
Q217	J2041220701X	TR KRC111S SOT23	PC	1
Q218	J2041220202X	TR DTC114TK SMT3	PC	1
Q218	J2041220701X	TR KRC111S SOT23	PC	1
Q219	J2041220202X	TR DTC114TK SMT3	PC	1
Q219	J2041220701X	TR KRC111S SOT23	PC	1
Q220	J2041220202X	TR DTC114TK SMT3	PC	1
Q220	J2041220701X	TR KRC111S SOT23	PC	1
Q221	J2041220202X	TR DTC114TK SMT3	PC	1
Q221	J2041220701X	TR KRC111S SOT23	PC	1
Q228	J2041220102X	TR NPN DTC114YKA	PC	1
Q228	J2041220201X	TR CHIP NPN KRC107	PC	1
Q229	J2041220102X	TR NPN DTC114YKA	PC	1
Q229	J2041220201X	TR CHIP NPN KRC107	PC	1
Q231	J2041220102X	TR NPN DTC114YKA	PC	1
Q231	J2041220201X	TR CHIP NPN KRC107	PC	1
Q232	J2041220102X	TR NPN DTC114YKA	PC	1
Q232	J2041220201X	TR CHIP NPN KRC107	PC	1
Q234	J2041220102X	TR NPN DTC114YKA	PC	1
Q234	J2041220201X	TR CHIP NPN KRC107	PC	1
Q236	J2041200101X	TR PNP KRA107S	PC	1
Q236	J2041200102X	TR PNP DTA114YKA	PC	1
Q237	J2041220102X	TR NPN DTC114YKA	PC	1
Q237	J2041220201X	TR CHIP NPN KRC107	PC	1
RL201	2047195091	RMGCFMIN 1K0 OHM +	PC	1
RL202	5088663091	RMGCFMIN 100K0 OHM	PC	1
RL203	5088667091	RMGCFMIN 1M0 OHM +	PC	1
RL204	1106648091	RMGCFMIN 47K0 OHM	PC	1
RL205	9057440091	RMGCFMIN 470R0 OHM	PC	1
RL206	5088663091	RMGCFMIN 100K0 OHM	PC	1
RL207	2047194091	RMGCFMIN 680R0 OHM	PC	1
RL208	6044439091	RMGCFMIN 3K9 OHM +	PC	1
RL209	6044440091	RMGCFMIN 22K0 OHM	PC	1
RL210	8044039091	RMGCFMIN 2K2 OHM +	PC	1
RR201	2047195091	RMGCFMIN 1K0 OHM +	PC	1
RR202	5088663091	RMGCFMIN 100K0 OHM	PC	1
RR203	5088667091	RMGCFMIN 1M0 OHM +	PC	1
RR204	1106648091	RMGCFMIN 47K0 OHM	PC	1
RR205	9057440091	RMGCFMIN 470R0 OHM	PC	1
RR206	5088663091	RMGCFMIN 100K0 OHM	PC	1
RR207	2047194091	RMGCFMIN 680R0 OHM	PC	1
RR208	6044439091	RMGCFMIN 3K9 OHM +	PC	1
RR209	6044440091	RMGCFMIN 22K0 OHM	PC	1
RR210	8044039091	RMGCFMIN 2K2 OHM +	PC	1
R201	8044037091	RMGCFMIN 150R0 OHM	PC	1
R202	8044037091	RMGCFMIN 150R0 OHM	PC	1
R203	8044037091	RMGCFMIN 150R0 OHM	PC	1
R204	8044037091	RMGCFMIN 150R0 OHM	PC	1
R205	8044037091	RMGCFMIN 150R0 OHM	PC	1
R206	8044037091	RMGCFMIN 150R0 OHM	PC	1

R207	8044037091 RMGCFMIN 150R0 OHM	PC	1
R208	8044037091 RMGCFMIN 150R0 OHM	PC	1
R209	8044037091 RMGCFMIN 150R0 OHM	PC	1
R210	8044037091 RMGCFMIN 150R0 OHM	PC	1
R211	8044037091 RMGCFMIN 150R0 OHM	PC	1
R212	8044037091 RMGCFMIN 150R0 OHM	PC	1
R213	8044037091 RMGCFMIN 150R0 OHM	PC	1
R214	8044037091 RMGCFMIN 150R0 OHM	PC	1
R215	8044037091 RMGCFMIN 150R0 OHM	PC	1
R216	8044037091 RMGCFMIN 150R0 OHM	PC	1
R217	8044037091 RMGCFMIN 150R0 OHM	PC	1
R218	8044037091 RMGCFMIN 150R0 OHM	PC	1
R219	8044037091 RMGCFMIN 150R0 OHM	PC	1
R220	8044037091 RMGCFMIN 150R0 OHM	PC	1
R221	8044037091 RMGCFMIN 150R0 OHM	PC	1
R222	8044037091 RMGCFMIN 150R0 OHM	PC	1
R223	8044037091 RMGCFMIN 150R0 OHM	PC	1
R224	8044037091 RMGCFMIN 150R0 OHM	PC	1
R225	8044037091 RMGCFMIN 150R0 OHM	PC	1
R226	8044037091 RMGCFMIN 150R0 OHM	PC	1
R227	8044037091 RMGCFMIN 150R0 OHM	PC	1
R228	8044037091 RMGCFMIN 150R0 OHM	PC	1
R229	8044037091 RMGCFMIN 150R0 OHM	PC	1
R230	8044037091 RMGCFMIN 150R0 OHM	PC	1
R231	8044037091 RMGCFMIN 150R0 OHM	PC	1
R232	8044037091 RMGCFMIN 150R0 OHM	PC	1
R233	8044037091 RMGCFMIN 150R0 OHM	PC	1
R234	8044037091 RMGCFMIN 150R0 OHM	PC	1
R235	8044037091 RMGCFMIN 150R0 OHM	PC	1
R236	8044037091 RMGCFMIN 150R0 OHM	PC	1
R237	8044037091 RMGCFMIN 150R0 OHM	PC	1
R238	8044037091 RMGCFMIN 150R0 OHM	PC	1
R239	8044037091 RMGCFMIN 150R0 OHM	PC	1
R240	8044037091 RMGCFMIN 150R0 OHM	PC	1
R241	8044037091 RMGCFMIN 150R0 OHM	PC	1
R242	8044037091 RMGCFMIN 150R0 OHM	PC	1
R243	8044037091 RMGCFMIN 150R0 OHM	PC	1
R244	8044037091 RMGCFMIN 150R0 OHM	PC	1
R245	8044037091 RMGCFMIN 150R0 OHM	PC	1
R246	8044037091 RMGCFMIN 150R0 OHM	PC	1
R247	8044037091 RMGCFMIN 150R0 OHM	PC	1
R249	2047195091 RMGCFMIN 1K0 OHM +	PC	1
R250	2047195091 RMGCFMIN 1K0 OHM +	PC	1
R251	2047195091 RMGCFMIN 1K0 OHM +	PC	1
R252	7043420091 RMGCFMIN 100R0 OHM	PC	1
R253	2047195091 RMGCFMIN 1K0 OHM +	PC	1
R254	2047195091 RMGCFMIN 1K0 OHM +	PC	1
R255	2047195091 RMGCFMIN 1K0 OHM +	PC	1
R256	2047195091 RMGCFMIN 1K0 OHM +	PC	1
R257	7043420091 RMGCFMIN 100R0 OHM	PC	1
R258	2047195091 RMGCFMIN 1K0 OHM +	PC	1
R259	2047195091 RMGCFMIN 1K0 OHM +	PC	1
R260	2047195091 RMGCFMIN 1K0 OHM +	PC	1
R261	2047195091 RMGCFMIN 1K0 OHM +	PC	1
R264	7043420091 RMGCFMIN 100R0 OHM	PC	1
R265	2047195091 RMGCFMIN 1K0 OHM +	PC	1
R266	3094431091 RMGCFMIN 4K7 OHM +	PC	1
R267	3094431091 RMGCFMIN 4K7 OHM +	PC	1

R268	3094431091 RMGCFMIN 4K7 OHM +	PC	1
R269	3094431091 RMGCFMIN 4K7 OHM +	PC	1
R270	3094431091 RMGCFMIN 4K7 OHM +	PC	1
R271	2047195091 RMGCFMIN 1K0 OHM +	PC	1
R272	2047195091 RMGCFMIN 1K0 OHM +	PC	1
R273	2047195091 RMGCFMIN 1K0 OHM +	PC	1
R274	2047195091 RMGCFMIN 1K0 OHM +	PC	1
R275	2047195091 RMGCFMIN 1K0 OHM +	PC	1
R276	7043420091 RMGCFMIN 100R0 OHM	PC	1
R277	1035519091 RMGCFMIN 2R2 OHM +	PC	1
R278	1035519091 RMGCFMIN 2R2 OHM +	PC	1
R279	5088661091 RMGCFMIN 10K0 OHM	PC	1
R280	5088661091 RMGCFMIN 10K0 OHM	PC	1
R281	5088661091 RMGCFMIN 10K0 OHM	PC	1
R283	5088661091 RMGCFMIN 10K0 OHM	PC	1
R284	2047195091 RMGCFMIN 1K0 OHM +	PC	1
R285	2047195091 RMGCFMIN 1K0 OHM +	PC	1
R286	5088661091 RMGCFMIN 10K0 OHM	PC	1
R287	1106650091 RMGCFMIN 68K0 OHM	PC	1
R288	1106650091 RMGCFMIN 68K0 OHM	PC	1
R289	1106648091 RMGCFMIN 47K0 OHM	PC	1
R290	3094431091 RMGCFMIN 4K7 OHM +	PC	1
R291	7043420091 RMGCFMIN 100R0 OHM	PC	1
R292	5088663091 RMGCFMIN 100K0 OHM	PC	1
R293	1106646091 RMGCFMIN 8K2 OHM +	PC	1
R294	5088661091 RMGCFMIN 10K0 OHM	PC	1
R295	2047195091 RMGCFMIN 1K0 OHM +	PC	1
R296	2047195091 RMGCFMIN 1K0 OHM +	PC	1
R297	2047195091 RMGCFMIN 1K0 OHM +	PC	1
R298	3094431091 RMGCFMIN 4K7 OHM +	PC	1
R299	3094431091 RMGCFMIN 4K7 OHM +	PC	1
R300	3094431091 RMGCFMIN 4K7 OHM +	PC	1
R351	9057440091 RMGCFMIN 470R0 OHM	PC	1
R352	9057440091 RMGCFMIN 470R0 OHM	PC	1
R353	1106642091 RMGCFMIN 390R0 OHM	PC	1
R354	1106642091 RMGCFMIN 390R0 OHM	PC	1
R356	9057440091 RMGCFMIN 470R0 OHM	PC	1
R357	9057440091 RMGCFMIN 470R0 OHM	PC	1
R358	1106642091 RMGCFMIN 390R0 OHM	PC	1
R359	1106642091 RMGCFMIN 390R0 OHM	PC	1
R361	2047192091 RMGCFMIN 220R0 OHM	PC	1
R362	2047192091 RMGCFMIN 220R0 OHM	PC	1
R363	2047192091 RMGCFMIN 220R0 OHM	PC	1
R364	2047195091 RMGCFMIN 1K0 OHM +	PC	1
R365	8044037091 RMGCFMIN 150R0 OHM	PC	1
R366	2047195091 RMGCFMIN 1K0 OHM +	PC	1

PL DWG NO.: JE000081

**PL TITLE : AVR D SER.KEY BD ASM**

ISSUE DATE: 05-22-00

ISSUED BY : KK HO

\* = CRITICAL ITEM

E	ITEM	DRAWING NO.	PART NAME/TEXT	UM	QTYFAC
	CN401	J4305100054X	CNT ASSY 8P 100MM	PC	1
	CN402	J4305100056X	CNT ASSY 5P 100MM	PC	1
	CN403	J4305100062X	CNT ASSY 3P 600MM	PC	1
	CN404	J4305100071X	CNT ASSY 7P 100MM	PC	1
	CP403	J4420030240X	CON WAFER 2P 2.0	PC	1
	CP404	J4420030440X	CNT PLUG 4P 2.0MM	PC	1
	CP405	J4420030440X	CNT PLUG 4P 2.0MM	PC	1
	D401	J2302210012X	LED RED/GREEN 3F	PC	1
	D401	J2302310012X	LED RED/GREEN 5	PC	1
	FN401	J60300028000	BKT GROUND ET 0.5T	PC	1
	FN402	J60300028000	BKT GROUND ET 0.5T	PC	1
	HP401	J44329000102	JACK MIC 9P GOLD	PC	1
	IC401	J2123239001X	IC PC-17T1 PHOTOCO	PC	1
	IC402	J2123239001X	IC PC-17T1 PHOTOCO	PC	1
	JA401	J44302401201	JACK RCA 4P S	PC	1
	JA402	J44333000001	STEREO JACK JW-350	PC	1
	JA403	J44333000001	STEREO JACK JW-350	PC	1
	JA404	J44333000001	STEREO JACK JW-350	PC	1
	L401	J2616247020X	COIL 47UH	PC	1
	L402	J2616247020X	COIL 47UH	PC	1
	Q402	J2021200002X	TR PNP DTA114YS	PC	1
	Q402	J2021200501X	TR PNP KRA107M	PC	1
C2	W401	J4305100025X	LUG WIRE 1P 200MM	PC	1

PL DWG NO.: JE000082

**PL TITLE : AVR D SER.KEY BD APP**

ISSUE DATE: 05-22-00

ISSUED BY : KK HO

\* = CRITICAL ITEM

E	ITEM	DRAWING NO.	PART NAME/TEXT	UM	QTYFAC
	'021	J4020100080A	PCB KEY 247*163	PC	1
	Q403	J2021200002X	TR PNP DTA114YS	PC	1
	Q403	J2021200501X	TR PNP KRA107M	PC	1

PL DWG NO.: JE000084

**PL TITLE : AVR D SER. KEY BD SMT**

ISSUE DATE: 05-22-00

ISSUED BY : KK HO

\* = CRITICAL ITEM

E	ITEM	DRAWING NO.	PART NAME/TEXT	UM	QTYFAC
	C401	3093924091	CCCFMIN 22N0F +10%	PC	1
	C402	3093924091	CCCFMIN 22N0F +10%	PC	1
	C403	1105933091	CCCFMIN 2N2F +10%	PC	1
	C404	1105933091	CCCFMIN 2N2F +10%	PC	1
	C405	2026729091	CCCFMIN 100N0F +80	PC	1
	C406	2026729091	CCCFMIN 100N0F +80	PC	1
	C409	1105867091	CCCFMIN 100P0F +5%	PC	1
	C410	1105867091	CCCFMIN 100P0F +5%	PC	1



C411		1105867091 CCCFMIN 100P0F +5%	PC	1
C412		1105867091 CCCFMIN 100P0F +5%	PC	1
C413		1105867091 CCCFMIN 100P0F +5%	PC	1
C414		1105867091 CCCFMIN 100P0F +5%	PC	1
C415		2026729091 CCCFMIN 100N0F +80	PC	1
C416		2026729091 CCCFMIN 100N0F +80	PC	1
D402	J2244010104X	DIODE CHIP 1SS355	PC	1
D403	J2244010104X	DIODE CHIP 1SS355	PC	1
D404	J2244010104X	DIODE CHIP 1SS355	PC	1
D405	J2244010104X	DIODE CHIP 1SS355	PC	1
D406	J2244010104X	DIODE CHIP 1SS355	PC	1
J407		8044051091 RMGCFMIN 0 OHM +0%	PC	1
J408		8044051091 RMGCFMIN 0 OHM +0%	PC	1
Q401	J2041220102X	TR NPN DTC114YKA	PC	1
Q401	J2041220201X	TR CHIP NPN KRC107	PC	1
R401		5088661091 RMGCFMIN 10K0 OHM	PC	1
R402		2047195091 RMGCFMIN 1K0 OHM +	PC	1
R403		7043423091 RMGCFMIN 1K2 OHM +	PC	1
R404		4043829091 RMGCFMIN 1K5 OHM +	PC	1
R405		8044039091 RMGCFMIN 2K2 OHM +	PC	1
R406		5088659091 RMGCFMIN 2K7 OHM +	PC	1
R407		1106644091 RMGCFMIN 3K3 OHM +	PC	1
R408		8044040091 RMGCFMIN 5K6 OHM +	PC	1
R409		1106646091 RMGCFMIN 8K2 OHM +	PC	1
R410		9057443091 RMGCFMIN 18K0 OHM	PC	1
R411		5088661091 RMGCFMIN 10K0 OHM	PC	1
R412		2047195091 RMGCFMIN 1K0 OHM +	PC	1
R413		7043423091 RMGCFMIN 1K2 OHM +	PC	1
R414		4043829091 RMGCFMIN 1K5 OHM +	PC	1
R415		8044039091 RMGCFMIN 2K2 OHM +	PC	1
R416		5088659091 RMGCFMIN 2K7 OHM +	PC	1
R417		1106644091 RMGCFMIN 3K3 OHM +	PC	1
R418		8044040091 RMGCFMIN 5K6 OHM +	PC	1
R419		1106646091 RMGCFMIN 8K2 OHM +	PC	1
R420		9057443091 RMGCFMIN 18K0 OHM	PC	1
R421		6044437091 RMGCFMIN 180R0 OHM	PC	1
R422		6044437091 RMGCFMIN 180R0 OHM	PC	1
R423		2047194091 RMGCFMIN 680R0 OHM	PC	1
R424		2047194091 RMGCFMIN 680R0 OHM	PC	1
R427		9057440091 RMGCFMIN 470R0 OHM	PC	1
R428		9057440091 RMGCFMIN 470R0 OHM	PC	1
R429		9057440091 RMGCFMIN 470R0 OHM	PC	1
R430		6044439091 RMGCFMIN 3K9 OHM +	PC	1
R431		1106648091 RMGCFMIN 47K0 OHM	PC	1
R432		6044435091 RMGCFMIN 47R0 OHM	PC	1
R433		6044435091 RMGCFMIN 47R0 OHM	PC	1
R434		6044438091 RMGCFMIN 270R0 OHM	PC	1
R435		5088661091 RMGCFMIN 10K0 OHM	PC	1
R436		1106648091 RMGCFMIN 47K0 OHM	PC	1

PL DWG NO.: JE000085

**PL TITLE : AVR D SER.VIDEO BD ASM**

ISSUE DATE: 05-22-00

ISSUED BY : KK HO

\* = CRITICAL ITEM

E	ITEM	DRAWING NO.	PART NAME/TEXT	UM	QTYFAC
	#004	JE00008502EA	AVR2000EU VIDBD AS	PC	
	#005	JE00008503EA	AVR3000EU VIDBD AS	PC	
	#006	JE00008505EA	AVR5000EU VIDBD AS	PC	
	B601	J2631200022X	BEAD AX 80.5 OHM	PC	1
	B602	J2631200022X	BEAD AX 80.5 OHM	PC	1
	B603	J2631200022X	BEAD AX 80.5 OHM	PC	1
	CN602	J4305100065X	CNT ASSY 4P 380MM	PC	1
	CN603	J4305100064X	CNT ASSY 4P 250MM	PC	1
	CP601	J4423331600X	CNT PLUG BD'BD 2.0	PC	1
	CP602	J4420030840X	CNT PLUG 2.0 ST 8P	PC	1
C2	G001	J4305100030X	CNT ASSY 1P 100MM	PC	1
	IC607	J2116209002X	IC OSD M35013	PC	1
	IC609	J2116204001X	IC VIDEO BA7046	PC	1
	JA601	J44312000100	JACK RCA+S GNDCAP	PC	1
	JA602	J44312000100	JACK RCA+S GNDCAP	PC	1
	JA603	J44312000100	JACK RCA+S GNDCAP	PC	1
	JA604	J44312000100	JACK RCA+S GNDCAP	PC	1
	JA605	J44312000100	JACK RCA+S GNDCAP	PC	1
	JA606	J44312000100	JACK RCA+S GNDCAP	PC	1
	JA607	J44312000100	JACK RCA+S GNDCAP	PC	1
	J034	J2631200012X	BEAD AXIAL 6MM	PC	1
	J050	J2631200012X	BEAD AXIAL 6MM	PC	1
	J051	J2631200012X	BEAD AXIAL 6MM	PC	1
	J052	J2631200012X	BEAD AXIAL 6MM	PC	1
	X601	J3913010026X	CRYSTAL 14.31818	PC	1
	X601	J3914010076X	CRYS 17.734475MHZ	PC	1

PL DWG NO.: JE000086

**PL TITLE : AVR D SER.VIDEO BD APP**

ISSUE DATE: 05-22-00

ISSUED BY : KK HO

\* = CRITICAL ITEM

E	ITEM	DRAWING NO.	PART NAME/TEXT	UM	QTYFAC
	#004	JE00008603EA	AVR3000EU VIDBD AP	PC	
	#005	JE00008605EA	AVR5000EU VIDBD AP	PC	
	'021	J4020100110A	PCB VIDEO 163*163	PC	1
	'021	J4020100120X	PCB VIDEO 163*163	PC	1
	CC601	2026888030	CE 10U0F +20% 50.0	PC	1
	CC603	2026888030	CE 10U0F +20% 50.0	PC	1
	CC606	2026888030	CE 10U0F +20% 50.0	PC	1
	CF601	2026888030	CE 10U0F +20% 50.0	PC	1
	CF602	2026888030	CE 10U0F +20% 50.0	PC	1
	CF604	2026888030	CE 10U0F +20% 50.0	PC	1
	CF605	2026888030	CE 10U0F +20% 50.0	PC	1
	CF611	2026888030	CE 10U0F +20% 50.0	PC	1
	CF612	2026888030	CE 10U0F +20% 50.0	PC	1
	CS607	2026888030	CE 10U0F +20% 50.0	PC	1
	C601	2026888030	CE 10U0F +20% 50.0	PC	1
	C602	2026888030	CE 10U0F +20% 50.0	PC	1

C603	2026888030 CE 10U0F +20% 50.0	PC	1
C604	2026888030 CE 10U0F +20% 50.0	PC	1
C605	2025267030 CE 470U0F +20% 10.	PC	1
C605	2026888030 CE 10U0F +20% 50.0	PC	1
C606	2025267030 CE 470U0F +20% 10.	PC	1
C610	2026783030 CE 47U0F +20% 16.0	PC	1
C613	2026888030 CE 10U0F +20% 50.0	PC	1
C614	2026888030 CE 10U0F +20% 50.0	PC	1
C615	2025267030 CE 470U0F +20% 10.	PC	1
C616	2026888030 CE 10U0F +20% 50.0	PC	1
C617	2026888030 CE 10U0F +20% 50.0	PC	1
C618	2025267030 CE 470U0F +20% 10.	PC	1
C621	2026888030 CE 10U0F +20% 50.0	PC	1
C622	2026888030 CE 10U0F +20% 50.0	PC	1
C623	2026888030 CE 10U0F +20% 50.0	PC	1
C624	2026888030 CE 10U0F +20% 50.0	PC	1
C625	2025267030 CE 470U0F +20% 10.	PC	1
C625	2026888030 CE 10U0F +20% 50.0	PC	1
C626	2025267030 CE 470U0F +20% 10.	PC	1
C626	2026888030 CE 10U0F +20% 50.0	PC	1
C627	2025267030 CE 470U0F +20% 10.	PC	1
C627	2026888030 CE 10U0F +20% 50.0	PC	1
C628	2025267030 CE 470U0F +20% 10.	PC	1
C628	2026888030 CE 10U0F +20% 50.0	PC	1
C630	2026885030 CE 2U2F +20% 50.0V	PC	1
C631	2026888030 CE 10U0F +20% 50.0	PC	1
C633	2026894030 CE 100U0F +20% 10.	PC	1
C639	2026884030 CE 1U0F +20% 50.0V	PC	1
C647	2025267030 CE 470U0F +20% 10.	PC	1
C650	2025267030 CE 470U0F +20% 10.	PC	1
C651	2025267030 CE 470U0F +20% 10.	PC	1
C652	2025267030 CE 470U0F +20% 10.	PC	1
C653	2025267030 CE 470U0F +20% 10.	PC	1
C660	2026783030 CE 47U0F +20% 16.0	PC	1
C661	2026783030 CE 47U0F +20% 16.0	PC	1
C662	2026908030 CE 220U0F +20% 10.	PC	1
C663	2026908030 CE 220U0F +20% 10.	PC	1
C664	2025267030 CE 470U0F +20% 10.	PC	1
C665	2025267030 CE 470U0F +20% 10.	PC	1
C666	2026783030 CE 47U0F +20% 16.0	PC	1
C671	2026896030 CE 330N0F +20% 50.	PC	1
C672	2026894030 CE 100U0F +20% 10.	PC	1
C675	2026884030 CE 1U0F +20% 50.0V	PC	1
C678	J3513180270X CC/DISC 18P 50V J	PC	1
C679	2026888030 CE 10U0F +20% 50.0	PC	1
C682	2026894030 CE 100U0F +20% 10.	PC	1
C683	8043459071 CC 22P0F +5% -5% 5	PC	1
C684	8043459071 CC 22P0F +5% -5% 5	PC	1
C685	2026894030 CE 100U0F +20% 10.	PC	1
C687	2026894030 CE 100U0F +20% 10.	PC	1
C691	2026884030 CE 1U0F +20% 50.0V	PC	1
C698	2026783030 CE 47U0F +20% 16.0	PC	1
C699	2026783030 CE 47U0F +20% 16.0	PC	1
L601	J2616222020X COIL LAL02 22UH K	PC	1
L602	J2616222020X COIL LAL02 22UH K	PC	1
L603	J2616222020X COIL LAL02 22UH K	PC	1
Q602	J2021021501X TR KTC2874 B NPN T	PC	1
Q602	J2021021601X TR KTC2874 A NPN T	PC	1

Q603	J2021021501X	TR KTC2874 B NPN T	PC	1
Q603	J2021021601X	TR KTC2874 A NPN T	PC	1
Q604	J2021021501X	TR KTC2874 B NPN T	PC	1
Q604	J2021021601X	TR KTC2874 A NPN T	PC	1
Q605	J2021000102X	TR PNP 2SA933S	PC	1
Q609	J2021021501X	TR KTC2874 B NPN T	PC	1
Q609	J2021021601X	TR KTC2874 A NPN T	PC	1
Q610	J2021060001X	TR NPN KTD1302 B	PC	1
Q614	J2021220002X	TR NPN 2SC1740S	PC	1
Q615	J2021021501X	TR KTC2874 B NPN T	PC	1
Q615	J2021021601X	TR KTC2874 A NPN T	PC	1
Q616	J2021021501X	TR KTC2874 B NPN T	PC	1
Q616	J2021021601X	TR KTC2874 A NPN T	PC	1
Q619	J2021220002X	TR NPN 2SC1740S	PC	1
Q620	J2021000102X	TR PNP 2SA933S	PC	1
Q621	J2021000102X	TR PNP 2SA933S	PC	1
Q622	J2021000102X	TR PNP 2SA933S	PC	1
Q623	J2021000102X	TR PNP 2SA933S	PC	1
R617		1105964016 RCF 1K0 OHM +5% 25	PC	1
R619		1105964016 RCF 1K0 OHM +5% 25	PC	1
R640		2046946016 RCF 2K2 OHM +5% 25	PC	1
R674		1105964016 RCF 1K0 OHM +5% 25	PC	1
R686		5088303016 RCF 150K0 OHM +5%	PC	1
R695		6044155016 RCF 330R0 OHM +5%	PC	1
TBD	J2616222020X	COIL LAL02 22UH K	PC	1
TBD1	J2616247020X	COIL 47UH	PC	1

PL DWG NO.: JE000088

**PL TITLE : AVR0 SER.VIDEO BD SMT**

ISSUE DATE: 05-22-00

ISSUED BY : KK HO

\* = CRITICAL ITEM

E	ITEM	DRAWING NO.	PART NAME/TEXT	UM	QTYFAC
	CC602	2026729091	CCCFMIN 100N0F +80	PC	1
	CC604	2026729091	CCCFMIN 100N0F +80	PC	1
	CC607	2026729091	CCCFMIN 100N0F +80	PC	1
	CC609	2026729091	CCCFMIN 100N0F +80	PC	1
	CF603	2026729091	CCCFMIN 100N0F +80	PC	1
	CF606	2026729091	CCCFMIN 100N0F +80	PC	1
	CF608	1105944091	CCCFMIN 10P0F +0P2	PC	1
	CF610	1105944091	CCCFMIN 10P0F +0P2	PC	1
	CF613	2026729091	CCCFMIN 100N0F +80	PC	1
	CF615	1105944091	CCCFMIN 10P0F +0P2	PC	1
	C608	1105867091	CCCFMIN 100P0F +5%	PC	1
	C609	1105867091	CCCFMIN 100P0F +5%	PC	1
	C611	1105867091	CCCFMIN 100P0F +5%	PC	1
	C612	1105867091	CCCFMIN 100P0F +5%	PC	1
	C619	1105867091	CCCFMIN 100P0F +5%	PC	1
	C620	1105867091	CCCFMIN 100P0F +5%	PC	1
	C629	1105934091	CCCFMIN 10N0F +10%	PC	1
	C632	1105934091	CCCFMIN 10N0F +10%	PC	1
	C637	1105867091	CCCFMIN 100P0F +5%	PC	1
	C638	1105867091	CCCFMIN 100P0F +5%	PC	1
	C640	1105867091	CCCFMIN 100P0F +5%	PC	1
	C641	1105867091	CCCFMIN 100P0F +5%	PC	1
	C642	1105867091	CCCFMIN 100P0F +5%	PC	1
	C657	2026729091	CCCFMIN 100N0F +80	PC	1

C658		1105867091 CCCFMIN 100P0F +5%	PC	1
C659		1105867091 CCCFMIN 100P0F +5%	PC	1
C670		1105867091 CCCFMIN 100P0F +5%	PC	1
C673		1105934091 CCCFMIN 10N0F +10%	PC	1
C674		4043518091 CCCFMIN 47P0F +5%	PC	1
C676		5088236091 CCCFMIN 33P0F +5%	PC	1
C681		1105867091 CCCFMIN 100P0F +5%	PC	1
C686		1105934091 CCCFMIN 10N0F +10%	PC	1
C688		1105933091 CCCFMIN 2N2F +10%	PC	1
C690		1105932091 CCCFMIN 1N0F +10%	PC	1
C696		1105867091 CCCFMIN 100P0F +5%	PC	1
C697		2026729091 CCCFMIN 100N0F +80	PC	1
D601	J2244010104X	DIODE CHIP 1SS355	PC	1
D602	J2244010104X	DIODE CHIP 1SS355	PC	1
D603	J2244010104X	DIODE CHIP 1SS355	PC	1
D604	J2244010104X	DIODE CHIP 1SS355	PC	1
D605	J2244010104X	DIODE CHIP 1SS355	PC	1
D606	J2244010104X	DIODE CHIP 1SS355	PC	1
D607	J2244010104X	DIODE CHIP 1SS355	PC	1
D608	J2244010104X	DIODE CHIP 1SS355	PC	1
D609	J2244010104X	DIODE CHIP 1SS355	PC	1
D611	J2244010104X	DIODE CHIP 1SS355	PC	1
D612	J2244010104X	DIODE CHIP 1SS355	PC	1
D613	J2244010104X	DIODE CHIP 1SS355	PC	1
D614	J2244010104X	DIODE CHIP 1SS355	PC	1
D615	J2244010104X	DIODE CHIP 1SS355	PC	1
IC601	J2116012001X	IC VIDEO NJM2296	PC	1
IC602	J2116012001X	IC VIDEO NJM2296	PC	1
IC603	J2116012001X	IC VIDEO NJM2296	PC	1
IC605	J2141004002X	IC BU4094 SOP16	PC	1
IC606	J2141004002X	IC BU4094 SOP16	PC	1
IC608	J2141004003X	IC BU4053	PC	1
IC619	J2141004002X	IC BU4094 SOP16	PC	1
Q601	J2041220102X	TR NPN DTC114YKA	PC	1
Q601	J2041220201X	TR CHIP NPN KRC107	PC	1
Q606	J2041200101X	TR PNP KRA107S	PC	1
Q606	J2041200102X	TR PNP DTA114YKA	PC	1
Q607	J2041220102X	TR NPN DTC114YKA	PC	1
Q607	J2041220201X	TR CHIP NPN KRC107	PC	1
Q608	J2041200101X	TR PNP KRA107S	PC	1
Q608	J2041200102X	TR PNP DTA114YKA	PC	1
Q611	J2041220102X	TR NPN DTC114YKA	PC	1
Q611	J2041220201X	TR CHIP NPN KRC107	PC	1
Q613	J2041220102X	TR NPN DTC114YKA	PC	1
Q613	J2041220201X	TR CHIP NPN KRC107	PC	1
RC601		3094425091 RMGCFMIN 10R0 OHM	PC	1
RC602		1106639091 RMGCFMIN 75R0 OHM	PC	1
RC602		9057437091 RMGCFMIN 82R0 OHM	PC	1
RC603		3094425091 RMGCFMIN 10R0 OHM	PC	1
RC604		1106639091 RMGCFMIN 75R0 OHM	PC	1
RC604		9057437091 RMGCFMIN 82R0 OHM	PC	1
RC606		1106639091 RMGCFMIN 75R0 OHM	PC	1
RC606		9057437091 RMGCFMIN 82R0 OHM	PC	1
RC607		1106639091 RMGCFMIN 75R0 OHM	PC	1
RC607		9057437091 RMGCFMIN 82R0 OHM	PC	1
RC608		3094425091 RMGCFMIN 10R0 OHM	PC	1
RC609		3094425091 RMGCFMIN 10R0 OHM	PC	1
RC610		1106639091 RMGCFMIN 75R0 OHM	PC	1

RC610	9057437091 RMGCFMIN 82R0 OHM	PC	1
RC612	1106639091 RMGCFMIN 75R0 OHM	PC	1
RC612	9057437091 RMGCFMIN 82R0 OHM	PC	1
RC614	1106639091 RMGCFMIN 75R0 OHM	PC	1
RC614	3094427091 RMGCFMIN 68R0 OHM	PC	1
RF601	8044037091 RMGCFMIN 150R0 OHM	PC	1
RF601	9057437091 RMGCFMIN 82R0 OHM	PC	1
RF602	3094425091 RMGCFMIN 10R0 OHM	PC	1
RF603	8044037091 RMGCFMIN 150R0 OHM	PC	1
RF603	9057437091 RMGCFMIN 82R0 OHM	PC	1
RF604	3094425091 RMGCFMIN 10R0 OHM	PC	1
RF606	5088661091 RMGCFMIN 10K0 OHM	PC	1
RF608	5088661091 RMGCFMIN 10K0 OHM	PC	1
RF610	5088661091 RMGCFMIN 10K0 OHM	PC	1
RF611	8044037091 RMGCFMIN 150R0 OHM	PC	1
RF611	9057437091 RMGCFMIN 82R0 OHM	PC	1
RF612	3094425091 RMGCFMIN 10R0 OHM	PC	1
RF615	1106639091 RMGCFMIN 75R0 OHM	PC	1
RF615	3094426091 RMGCFMIN 22R0 OHM	PC	1
RF615	8044051091 RMGCFMIN 0 OHM +0%	PC	1
RF616	1106639091 RMGCFMIN 75R0 OHM	PC	1
RF616	3094426091 RMGCFMIN 22R0 OHM	PC	1
RF616	8044051091 RMGCFMIN 0 OHM +0%	PC	1
RF617	1106639091 RMGCFMIN 75R0 OHM	PC	1
RF617	3094426091 RMGCFMIN 22R0 OHM	PC	1
RF617	8044051091 RMGCFMIN 0 OHM +0%	PC	1
RS602	1106639091 RMGCFMIN 75R0 OHM	PC	1
RS602	9057437091 RMGCFMIN 82R0 OHM	PC	1
RS603	1106639091 RMGCFMIN 75R0 OHM	PC	1
RS603	9057437091 RMGCFMIN 82R0 OHM	PC	1
RS605	1106639091 RMGCFMIN 75R0 OHM	PC	1
RS605	9057437091 RMGCFMIN 82R0 OHM	PC	1
RS606	1106639091 RMGCFMIN 75R0 OHM	PC	1
RS606	9057437091 RMGCFMIN 82R0 OHM	PC	1
RS608	1106639091 RMGCFMIN 75R0 OHM	PC	1
RS608	9057437091 RMGCFMIN 82R0 OHM	PC	1
RS609	1106639091 RMGCFMIN 75R0 OHM	PC	1
RS609	9057437091 RMGCFMIN 82R0 OHM	PC	1
RS611	1106639091 RMGCFMIN 75R0 OHM	PC	1
RS611	9057437091 RMGCFMIN 82R0 OHM	PC	1
RS612	1106639091 RMGCFMIN 75R0 OHM	PC	1
RS612	9057437091 RMGCFMIN 82R0 OHM	PC	1
RS620	1106639091 RMGCFMIN 75R0 OHM	PC	1
RS620	9057437091 RMGCFMIN 82R0 OHM	PC	1
RS621	1106639091 RMGCFMIN 75R0 OHM	PC	1
RS621	9057437091 RMGCFMIN 82R0 OHM	PC	1
RS622	1106639091 RMGCFMIN 75R0 OHM	PC	1
RS622	9057437091 RMGCFMIN 82R0 OHM	PC	1
RS623	1106639091 RMGCFMIN 75R0 OHM	PC	1
RS623	9057437091 RMGCFMIN 82R0 OHM	PC	1
R608	3094427091 RMGCFMIN 68R0 OHM	PC	1
R609	8044041091 RMGCFMIN 7K5 OHM +	PC	1
R610	1106644091 RMGCFMIN 3K3 OHM +	PC	1
R612	8044043091 RMGCFMIN 43K0 OHM	PC	1
R613	1106644091 RMGCFMIN 3K3 OHM +	PC	1
R614	7043420091 RMGCFMIN 100R0 OHM	PC	1
R615	2047199091 RMGCFMIN 12K0 OHM	PC	1
R617	2047195091 RMGCFMIN 1K0 OHM +	PC	1

R618	2047195091 RMGCFMIN 1K0 OHM +	PC	1
R619	2047195091 RMGCFMIN 1K0 OHM +	PC	1
R621	5088661091 RMGCFMIN 10K0 OHM	PC	1
R622	5088661091 RMGCFMIN 10K0 OHM	PC	1
R623	5088661091 RMGCFMIN 10K0 OHM	PC	1
R624	5088661091 RMGCFMIN 10K0 OHM	PC	1
R625	5088661091 RMGCFMIN 10K0 OHM	PC	1
R626	5088661091 RMGCFMIN 10K0 OHM	PC	1
R627	5088661091 RMGCFMIN 10K0 OHM	PC	1
R628	5088661091 RMGCFMIN 10K0 OHM	PC	1
R629	5088661091 RMGCFMIN 10K0 OHM	PC	1
R632	1106639091 RMGCFMIN 75R0 OHM	PC	1
R632	9057437091 RMGCFMIN 82R0 OHM	PC	1
R633	1106639091 RMGCFMIN 75R0 OHM	PC	1
R633	3094427091 RMGCFMIN 68R0 OHM	PC	1
R634	5088663091 RMGCFMIN 100K0 OHM	PC	1
R635	2047195091 RMGCFMIN 1K0 OHM +	PC	1
R636	2047195091 RMGCFMIN 1K0 OHM +	PC	1
R637	2047195091 RMGCFMIN 1K0 OHM +	PC	1
R638	8044042091 RMGCFMIN 33K0 OHM	PC	1
R639	3094427091 RMGCFMIN 68R0 OHM	PC	1
R641	5088663091 RMGCFMIN 100K0 OHM	PC	1
R642	2047195091 RMGCFMIN 1K0 OHM +	PC	1
R643	1106648091 RMGCFMIN 47K0 OHM	PC	1
R644	2047195091 RMGCFMIN 1K0 OHM +	PC	1
R650	7043425091 RMGCFMIN 15K0 OHM	PC	1
R651	2047195091 RMGCFMIN 1K0 OHM +	PC	1
R652	1106644091 RMGCFMIN 3K3 OHM +	PC	1
R653	3094427091 RMGCFMIN 68R0 OHM	PC	1
R661	8044051091 RMGCFMIN 0 OHM +0%	PC	1
R662	8044051091 RMGCFMIN 0 OHM +0%	PC	1
R665	5088661091 RMGCFMIN 10K0 OHM	PC	1
R666	8044043091 RMGCFMIN 43K0 OHM	PC	1
R670	8044051091 RMGCFMIN 0 OHM +0%	PC	1
R674	2047195091 RMGCFMIN 1K0 OHM +	PC	1
R677	2047195091 RMGCFMIN 1K0 OHM +	PC	1
R678	2047195091 RMGCFMIN 1K0 OHM +	PC	1
R679	2047195091 RMGCFMIN 1K0 OHM +	PC	1
R680	4043830091 RMGCFMIN 6K8 OHM +	PC	1
R681	8044039091 RMGCFMIN 2K2 OHM +	PC	1
R682	5088661091 RMGCFMIN 10K0 OHM	PC	1
R683	1106646091 RMGCFMIN 8K2 OHM +	PC	1
R684	1106650091 RMGCFMIN 68K0 OHM	PC	1
R685	7043420091 RMGCFMIN 100R0 OHM	PC	1
R687	6044442091 RMGCFMIN 150K0 OHM	PC	1
R688	5088667091 RMGCFMIN 1M0 OHM +	PC	1
R689	6044437091 RMGCFMIN 180R0 OHM	PC	1
R690	3094427091 RMGCFMIN 68R0 OHM	PC	1
R691	3094425091 RMGCFMIN 10R0 OHM	PC	1
R692	3094425091 RMGCFMIN 10R0 OHM	PC	1
R693	6044437091 RMGCFMIN 180R0 OHM	PC	1
R694	5088667091 RMGCFMIN 1M0 OHM +	PC	1
R696	4043835091 RMGCFMIN 470K0 OHM	PC	1
R697	4043835091 RMGCFMIN 470K0 OHM	PC	1
R698	5088661091 RMGCFMIN 10K0 OHM	PC	1
R699	2047199091 RMGCFMIN 12K0 OHM	PC	1





PL DWG NO.: JE000089

**PL TITLE : AVR D SER.PROCESSOR BD ASM**

ISSUE DATE: 05-22-00

ISSUED BY : KK HO

\* = CRITICAL ITEM

E ITEM	DRAWING NO.	PART NAME/TEXT	UM	QTYFAC
#005	JE00008904EA	AVR4000EU PROBD AS	PC	
CN408	J4423331500X	CNT 2.O 35237-1510	PC	1
CN409	J4423331500X	CNT 2.O 35237-1510	PC	1
CN410	J4423331500X	CNT 2.O 35237-1510	PC	1
CN411	J4423331500X	CNT 2.O 35237-1510	PC	1
CP205	J4420030440X	CNT PLUG 4P 2.0MM	PC	1
CP206	J4420031040X	CNT PLUG 2.0 10P	PC	1
CP403	J4420030340X	CNT PLUG 2.0 ST 3P	PC	1
CP404	J4420030740X	CNT PLUG 2.0ST 7P	PC	1
CP405	J4420031240X	CNT PLUG12P 2.0MM	PC	1
IC701	J2115206007X	IC TC9273N-007	PC	1
IC702	J2115206007X	IC TC9273N-007	PC	1
JK701	J44302401201	JACK RCA 4P S	PC	1
JK701	J44306000101	JACK RCA 6P GND W/	PC	1
JK702	J44302401201	JACK RCA 4P S	PC	1
JK703	J44302001401	JACK RCA 2P WR JW1	PC	1
JK703	J44302401201	JACK RCA 4P S	PC	1

PL DWG NO.: JE000090

**PL TITLE : AVR D SER.PROCESSOR BD APP**

ISSUE DATE: 05-22-00

ISSUED BY : KK HO

\* = CRITICAL ITEM

E ITEM	DRAWING NO.	PART NAME/TEXT	UM	QTYFAC
'021	J4020100090B	PCB PROCESS 280*28	PC	1
C709	J3470910030X	CE RA/TAP 10UF 16V	PC	1
C710	2026783030	CE 47U0F +20% 16.0	PC	1
C711	J3470910030X	CE RA/TAP 10UF 16V	PC	1
C714	J3470910030X	CE RA/TAP 10UF 16V	PC	1
C715	2026783030	CE 47U0F +20% 16.0	PC	1
C716	J3470910030X	CE RA/TAP 10UF 16V	PC	1
C723	J3470910030X	CE RA/TAP 10UF 16V	PC	1
C724	2026783030	CE 47U0F +20% 16.0	PC	1
C725	J3470910030X	CE RA/TAP 10UF 16V	PC	1
C728	J3470910030X	CE RA/TAP 10UF 16V	PC	1
C729	2026783030	CE 47U0F +20% 16.0	PC	1
C730	J3470910030X	CE RA/TAP 10UF 16V	PC	1
C741	J3470910030X	CE RA/TAP 10UF 16V	PC	1
C742	2026783030	CE 47U0F +20% 16.0	PC	1
C743	J3470910030X	CE RA/TAP 10UF 16V	PC	1
C744	J3470910030X	CE RA/TAP 10UF 16V	PC	1
C745	2026783030	CE 47U0F +20% 16.0	PC	1
C746	J3470910030X	CE RA/TAP 10UF 16V	PC	1
C747	J3470910030X	CE RA/TAP 10UF 16V	PC	1
C749	2026783030	CE 47U0F +20% 16.0	PC	1
C751	J3470910030X	CE RA/TAP 10UF 16V	PC	1
C752	J3470910030X	CE RA/TAP 10UF 16V	PC	1
C754	2026783030	CE 47U0F +20% 16.0	PC	1
C756	J3470910030X	CE RA/TAP 10UF 16V	PC	1

C757		2026783030 CE 47U0F +20% 16.0	PC	1
C758		2026783030 CE 47U0F +20% 16.0	PC	1
C760		2026783030 CE 47U0F +20% 16.0	PC	1
C761		2026783030 CE 47U0F +20% 16.0	PC	1
C764		2026783030 CE 47U0F +20% 16.0	PC	1
C765		2026783030 CE 47U0F +20% 16.0	PC	1
C768		2026783030 CE 47U0F +20% 16.0	PC	1
C769		2026783030 CE 47U0F +20% 16.0	PC	1
C770		2026783030 CE 47U0F +20% 16.0	PC	1
C771		2026783030 CE 47U0F +20% 16.0	PC	1
C773		2026783030 CE 47U0F +20% 16.0	PC	1
C774		2026783030 CE 47U0F +20% 16.0	PC	1
C776	J3470910030X	CE RA/TAP 10UF 16V	PC	1
C777		2026783030 CE 47U0F +20% 16.0	PC	1
C778	J3470910030X	CE RA/TAP 10UF 16V	PC	1
C779	J3470910030X	CE RA/TAP 10UF 16V	PC	1
C780		2026783030 CE 47U0F +20% 16.0	PC	1
C781	J3470910030X	CE RA/TAP 10UF 16V	PC	1
C782	J3470910030X	CE RA/TAP 10UF 16V	PC	1
C783		2026783030 CE 47U0F +20% 16.0	PC	1
C784	J3470910030X	CE RA/TAP 10UF 16V	PC	1
C787	J3470910030X	CE RA/TAP 10UF 16V	PC	1
C788		2026783030 CE 47U0F +20% 16.0	PC	1
C789	J3470910030X	CE RA/TAP 10UF 16V	PC	1
C792	J3470910030X	CE RA/TAP 10UF 16V	PC	1
C795		2026783030 CE 47U0F +20% 16.0	PC	1
C796	J3470910030X	CE RA/TAP 10UF 16V	PC	1
C797		2026783030 CE 47U0F +20% 16.0	PC	1
C798		2026783030 CE 47U0F +20% 16.0	PC	1
C799		2026783030 CE 47U0F +20% 16.0	PC	1
C800	J3470910030X	CE RA/TAP 10UF 16V	PC	1
C801	J3470910030X	CE RA/TAP 10UF 16V	PC	1
C802	J3470910030X	CE RA/TAP 10UF 16V	PC	1
C804	J3470910030X	CE RA/TAP 10UF 16V	PC	1
C805	J3470910030X	CE RA/TAP 10UF 16V	PC	1
C807		2026783030 CE 47U0F +20% 16.0	PC	1
C808	J3470910030X	CE RA/TAP 10UF 16V	PC	1
C809	J3470910030X	CE RA/TAP 10UF 16V	PC	1
C811		2026783030 CE 47U0F +20% 16.0	PC	1
C813	J3470910030X	CE RA/TAP 10UF 16V	PC	1
C814	J3470910030X	CE RA/TAP 10UF 16V	PC	1
C816		2026783030 CE 47U0F +20% 16.0	PC	1
C818	J3470910030X	CE RA/TAP 10UF 16V	PC	1
C819	J3470910030X	CE RA/TAP 10UF 16V	PC	1
C821		2026783030 CE 47U0F +20% 16.0	PC	1
C822	J3470910030X	CE RA/TAP 10UF 16V	PC	1
C823	J3470910030X	CE RA/TAP 10UF 16V	PC	1
C825		2026783030 CE 47U0F +20% 16.0	PC	1
C826	J3470910030X	CE RA/TAP 10UF 16V	PC	1
C827	J3470910030X	CE RA/TAP 10UF 16V	PC	1
C829		2026783030 CE 47U0F +20% 16.0	PC	1
C831	J3470910030X	CE RA/TAP 10UF 16V	PC	1
C832	J3470910030X	CE RA/TAP 10UF 16V	PC	1
C834		2026783030 CE 47U0F +20% 16.0	PC	1
C836	J3470910030X	CE RA/TAP 10UF 16V	PC	1
C837	J3470910030X	CE RA/TAP 10UF 16V	PC	1
C839		2026783030 CE 47U0F +20% 16.0	PC	1
C841	J3470910030X	CE RA/TAP 10UF 16V	PC	1

C842	J3470910030X	CE RA/TAP 10UF 16V	PC	1
C844	2026783030	CE 47U0F +20% 16.0	PC	1
C846	J3470910030X	CE RA/TAP 10UF 16V	PC	1
C847	J3470910030X	CE RA/TAP 10UF 16V	PC	1
C849	2026783030	CE 47U0F +20% 16.0	PC	1
C851	J3470910030X	CE RA/TAP 10UF 16V	PC	1
C852	J3470910030X	CE RA/TAP 10UF 16V	PC	1
C854	2026783030	CE 47U0F +20% 16.0	PC	1
C856	J3470910030X	CE RA/TAP 10UF 16V	PC	1
C857	J3470910030X	CE RA/TAP 10UF 16V	PC	1
C859	2026783030	CE 47U0F +20% 16.0	PC	1
C861	J3470133111X	CE 330U 6V3 M 6.3*	PC	1
C862	J3470910030X	CE RA/TAP 10UF 16V	PC	1
C864	2026783030	CE 47U0F +20% 16.0	PC	1
C866	J3470133111X	CE 330U 6V3 M 6.3*	PC	1
C867	2026783030	CE 47U0F +20% 16.0	PC	1
Q732	J2021120003X	FET RA/TAP 2SK117Y	PC	1

PL DWG NO.: JE000092

**PL TITLE : AVR D SER.PROCESSOR BD SMT**

ISSUE DATE: 05-22-00

ISSUED BY : KK HO

\* = CRITICAL ITEM

E ITEM	DRAWING NO.	PART NAME/TEXT	UM	QTYFAC
C701	1105867091	CCCFMIN 100P0F +5%	PC	1
C702	1105867091	CCCFMIN 100P0F +5%	PC	1
C703	1105867091	CCCFMIN 100P0F +5%	PC	1
C704	1105867091	CCCFMIN 100P0F +5%	PC	1
C705	1105867091	CCCFMIN 100P0F +5%	PC	1
C706	1105867091	CCCFMIN 100P0F +5%	PC	1
C707	1105867091	CCCFMIN 100P0F +5%	PC	1
C708	1105867091	CCCFMIN 100P0F +5%	PC	1
C712	1105867091	CCCFMIN 100P0F +5%	PC	1
C713	1105867091	CCCFMIN 100P0F +5%	PC	1
C717	1105867091	CCCFMIN 100P0F +5%	PC	1
C718	1105867091	CCCFMIN 100P0F +5%	PC	1
C719	1105867091	CCCFMIN 100P0F +5%	PC	1
C720	1105867091	CCCFMIN 100P0F +5%	PC	1
C721	1105867091	CCCFMIN 100P0F +5%	PC	1
C722	1105867091	CCCFMIN 100P0F +5%	PC	1
C726	1105867091	CCCFMIN 100P0F +5%	PC	1
C727	1105867091	CCCFMIN 100P0F +5%	PC	1
C731	1105867091	CCCFMIN 100P0F +5%	PC	1
C732	1105867091	CCCFMIN 100P0F +5%	PC	1
C733	1105867091	CCCFMIN 100P0F +5%	PC	1
C734	1105867091	CCCFMIN 100P0F +5%	PC	1
C735	1105867091	CCCFMIN 100P0F +5%	PC	1
C736	1105867091	CCCFMIN 100P0F +5%	PC	1
C737	1105867091	CCCFMIN 100P0F +5%	PC	1
C738	1105867091	CCCFMIN 100P0F +5%	PC	1
C739	1105867091	CCCFMIN 100P0F +5%	PC	1
C740	1105867091	CCCFMIN 100P0F +5%	PC	1
C750	5088236091	CCCFMIN 33P0F +5%	PC	1
C755	5088236091	CCCFMIN 33P0F +5%	PC	1
C759	1105867091	CCCFMIN 100P0F +5%	PC	1
C762	1105867091	CCCFMIN 100P0F +5%	PC	1
C763	1105867091	CCCFMIN 100P0F +5%	PC	1

C767		1105867091 CCCFMIN 100P0F +5%	PC	1
C772		1105867091 CCCFMIN 100P0F +5%	PC	1
C775		1105867091 CCCFMIN 100P0F +5%	PC	1
C793		1105933091 CCCFMIN 2N2F +10%	PC	1
C794		1105933091 CCCFMIN 2N2F +10%	PC	1
C812		5088236091 CCCFMIN 33P0F +5%	PC	1
C817		5088236091 CCCFMIN 33P0F +5%	PC	1
C820		1105867091 CCCFMIN 100P0F +5%	PC	1
C824		1105867091 CCCFMIN 100P0F +5%	PC	1
C828		1105867091 CCCFMIN 100P0F +5%	PC	1
C830		5088236091 CCCFMIN 33P0F +5%	PC	1
C833		1105867091 CCCFMIN 100P0F +5%	PC	1
C835		5088236091 CCCFMIN 33P0F +5%	PC	1
C838		1105867091 CCCFMIN 100P0F +5%	PC	1
C840		5088236091 CCCFMIN 33P0F +5%	PC	1
C843		1105867091 CCCFMIN 100P0F +5%	PC	1
C845		5088236091 CCCFMIN 33P0F +5%	PC	1
C848		1105867091 CCCFMIN 100P0F +5%	PC	1
C850		1105933091 CCCFMIN 2N2F +10%	PC	1
C853		1105867091 CCCFMIN 100P0F +5%	PC	1
C855		5088236091 CCCFMIN 33P0F +5%	PC	1
C858		8043682091 CCCFMIN 680P0F +10	PC	1
C860		8043682091 CCCFMIN 680P0F +10	PC	1
C863		8043682091 CCCFMIN 680P0F +10	PC	1
C865		8043682091 CCCFMIN 680P0F +10	PC	1
C868		1105867091 CCCFMIN 100P0F +5%	PC	1
C869		1105867091 CCCFMIN 100P0F +5%	PC	1
C870		1105867091 CCCFMIN 100P0F +5%	PC	1
C871		1105867091 CCCFMIN 100P0F +5%	PC	1
IC703	J2115006001X	IC VOL TC9459F SOP	PC	1
IC704	J2121005001X	IC SW KIC9162AF SO	PC	1
IC705	J2121005002X	IC SW KIC9163AF SO	PC	1
IC706	J2115006002X	IC VOL TC9482F SOP	PC	1
IC707	J2110012004X	IC OPAMP NJM2068	PC	1
IC708	J2110012004X	IC OPAMP NJM2068	PC	1
IC709	J2110012004X	IC OPAMP NJM2068	PC	1
IC710	J2110012004X	IC OPAMP NJM2068	PC	1
IC711	J2110012004X	IC OPAMP NJM2068	PC	1
IC712	J2110012004X	IC OPAMP NJM2068	PC	1
IC713	J2110012004X	IC OPAMP NJM2068	PC	1
IC714	J2110012004X	IC OPAMP NJM2068	PC	1
IC715	J2110012004X	IC OPAMP NJM2068	PC	1
IC716	J2110012004X	IC OPAMP NJM2068	PC	1
IC717	J2110012004X	IC OPAMP NJM2068	PC	1
IC718	J2110012004X	IC OPAMP NJM2068	PC	1
IC719	J2110012005X	IC AMP NJM4556AM D	PC	1
IC720	J2110012004X	IC OPAMP NJM2068	PC	1
IC721	J2110012004X	IC OPAMP NJM2068	PC	1
IC722	J2110012004X	IC OPAMP NJM2068	PC	1
Q701	J2021220801X	TR NPN KTD1304	PC	1
Q702	J2021220801X	TR NPN KTD1304	PC	1
Q703	J2041200101X	TR PNP KRA107S	PC	1
Q703	J2041200102X	TR PNP DTA114YKA	PC	1
Q704	J2021220801X	TR NPN KTD1304	PC	1
Q705	J2021220801X	TR NPN KTD1304	PC	1
Q706	J2041200101X	TR PNP KRA107S	PC	1
Q706	J2041200102X	TR PNP DTA114YKA	PC	1
Q707	J2041200101X	TR PNP KRA107S	PC	1

Q707	J2041200102X	TR PNP DTA114YKA	PC	1
Q708	J2021220801X	TR NPN KTD1304	PC	1
Q709	J2021220801X	TR NPN KTD1304	PC	1
Q710	J2021220801X	TR NPN KTD1304	PC	1
Q711	J2021220801X	TR NPN KTD1304	PC	1
Q712	J2041200101X	TR PNP KRA107S	PC	1
Q712	J2041200102X	TR PNP DTA114YKA	PC	1
Q713	J2021220801X	TR NPN KTD1304	PC	1
Q714	J2021220801X	TR NPN KTD1304	PC	1
Q715	J2041200101X	TR PNP KRA107S	PC	1
Q715	J2041200102X	TR PNP DTA114YKA	PC	1
Q716	J2021220801X	TR NPN KTD1304	PC	1
Q717	J2021220801X	TR NPN KTD1304	PC	1
Q718	J2041200101X	TR PNP KRA107S	PC	1
Q718	J2041200102X	TR PNP DTA114YKA	PC	1
Q719	J2021220801X	TR NPN KTD1304	PC	1
Q720	J2021220801X	TR NPN KTD1304	PC	1
Q721	J2041200101X	TR PNP KRA107S	PC	1
Q721	J2041200102X	TR PNP DTA114YKA	PC	1
Q722	J2021220801X	TR NPN KTD1304	PC	1
Q723	J2021220801X	TR NPN KTD1304	PC	1
Q724	J2041200101X	TR PNP KRA107S	PC	1
Q724	J2041200102X	TR PNP DTA114YKA	PC	1
Q725	J2041200101X	TR PNP KRA107S	PC	1
Q725	J2041200102X	TR PNP DTA114YKA	PC	1
Q727	J2021220801X	TR NPN KTD1304	PC	1
Q729	J2021220801X	TR NPN KTD1304	PC	1
Q730	J2041200101X	TR PNP KRA107S	PC	1
Q730	J2041200102X	TR PNP DTA114YKA	PC	1
Q731	J2041220102X	TR NPN DTC114YKA	PC	1
Q731	J2041220201X	TR CHIP NPN KRC107	PC	1
Q733	J2041200101X	TR PNP KRA107S	PC	1
Q733	J2041200102X	TR PNP DTA114YKA	PC	1
Q734	J2041220102X	TR NPN DTC114YKA	PC	1
Q734	J2041220201X	TR CHIP NPN KRC107	PC	1
Q735	J2041200101X	TR PNP KRA107S	PC	1
Q735	J2041200102X	TR PNP DTA114YKA	PC	1
Q736	J2041200101X	TR PNP KRA107S	PC	1
Q736	J2041200102X	TR PNP DTA114YKA	PC	1
R701	9057440091	RMGCFMIN 470R0 OHM	PC	1
R702	4043835091	RMGCFMIN 470K0 OHM	PC	1
R703	9057440091	RMGCFMIN 470R0 OHM	PC	1
R704	4043835091	RMGCFMIN 470K0 OHM	PC	1
R705	9057440091	RMGCFMIN 470R0 OHM	PC	1
R706	4043835091	RMGCFMIN 470K0 OHM	PC	1
R707	9057440091	RMGCFMIN 470R0 OHM	PC	1
R708	4043835091	RMGCFMIN 470K0 OHM	PC	1
R709	7043420091	RMGCFMIN 100R0 OHM	PC	1
R710	9057440091	RMGCFMIN 470R0 OHM	PC	1
R711	2047202091	RMGCFMIN 180K0 OHM	PC	1
R712	5088663091	RMGCFMIN 100K0 OHM	PC	1
R713	2047195091	RMGCFMIN 1K0 OHM +	PC	1
R714	9057440091	RMGCFMIN 470R0 OHM	PC	1
R715	2047202091	RMGCFMIN 180K0 OHM	PC	1
R716	5088663091	RMGCFMIN 100K0 OHM	PC	1
R717	2047195091	RMGCFMIN 1K0 OHM +	PC	1
R718	7043420091	RMGCFMIN 100R0 OHM	PC	1
R719	8044039091	RMGCFMIN 2K2 OHM +	PC	1

R720	8044039091 RMGCFMIN 2K2 OHM +	PC	1
R721	9057440091 RMGCFMIN 470R0 OHM	PC	1
R722	4043835091 RMGCFMIN 470K0 OHM	PC	1
R723	9057440091 RMGCFMIN 470R0 OHM	PC	1
R724	4043835091 RMGCFMIN 470K0 OHM	PC	1
R725	8044039091 RMGCFMIN 2K2 OHM +	PC	1
R726	8044039091 RMGCFMIN 2K2 OHM +	PC	1
R727	7043420091 RMGCFMIN 100R0 OHM	PC	1
R728	9057440091 RMGCFMIN 470R0 OHM	PC	1
R729	2047202091 RMGCFMIN 180K0 OHM	PC	1
R730	5088663091 RMGCFMIN 100K0 OHM	PC	1
R731	2047195091 RMGCFMIN 1K0 OHM +	PC	1
R732	9057440091 RMGCFMIN 470R0 OHM	PC	1
R733	2047202091 RMGCFMIN 180K0 OHM	PC	1
R734	5088663091 RMGCFMIN 100K0 OHM	PC	1
R735	2047195091 RMGCFMIN 1K0 OHM +	PC	1
R736	7043420091 RMGCFMIN 100R0 OHM	PC	1
R737	9057440091 RMGCFMIN 470R0 OHM	PC	1
R738	4043835091 RMGCFMIN 470K0 OHM	PC	1
R739	9057440091 RMGCFMIN 470R0 OHM	PC	1
R740	4043835091 RMGCFMIN 470K0 OHM	PC	1
R741	9057440091 RMGCFMIN 470R0 OHM	PC	1
R742	4043835091 RMGCFMIN 470K0 OHM	PC	1
R743	9057440091 RMGCFMIN 470R0 OHM	PC	1
R744	4043835091 RMGCFMIN 470K0 OHM	PC	1
R745	7043420091 RMGCFMIN 100R0 OHM	PC	1
R746	9057440091 RMGCFMIN 470R0 OHM	PC	1
R747	1106648091 RMGCFMIN 47K0 OHM	PC	1
R748	5088663091 RMGCFMIN 100K0 OHM	PC	1
R749	9057440091 RMGCFMIN 470R0 OHM	PC	1
R750	1106648091 RMGCFMIN 47K0 OHM	PC	1
R751	5088663091 RMGCFMIN 100K0 OHM	PC	1
R752	7043420091 RMGCFMIN 100R0 OHM	PC	1
R753	7043420091 RMGCFMIN 100R0 OHM	PC	1
R754	9057440091 RMGCFMIN 470R0 OHM	PC	1
R756	5088663091 RMGCFMIN 100K0 OHM	PC	1
R757	2047195091 RMGCFMIN 1K0 OHM +	PC	1
R758	5088660091 RMGCFMIN 5K1 OHM +	PC	1
R759	5088663091 RMGCFMIN 100K0 OHM	PC	1
R760	9057440091 RMGCFMIN 470R0 OHM	PC	1
R761	5088663091 RMGCFMIN 100K0 OHM	PC	1
R762	2047195091 RMGCFMIN 1K0 OHM +	PC	1
R763	5088660091 RMGCFMIN 5K1 OHM +	PC	1
R764	5088663091 RMGCFMIN 100K0 OHM	PC	1
R765	7043420091 RMGCFMIN 100R0 OHM	PC	1
R766	8044039091 RMGCFMIN 2K2 OHM +	PC	1
R767	8044039091 RMGCFMIN 2K2 OHM +	PC	1
R768	2047195091 RMGCFMIN 1K0 OHM +	PC	1
R769	2047195091 RMGCFMIN 1K0 OHM +	PC	1
R770	7043420091 RMGCFMIN 100R0 OHM	PC	1
R771	9057440091 RMGCFMIN 470R0 OHM	PC	1
R772	4043835091 RMGCFMIN 470K0 OHM	PC	1
R773	5088663091 RMGCFMIN 100K0 OHM	PC	1
R774	9057440091 RMGCFMIN 470R0 OHM	PC	1
R775	4043835091 RMGCFMIN 470K0 OHM	PC	1
R776	5088663091 RMGCFMIN 100K0 OHM	PC	1
R778	7043420091 RMGCFMIN 100R0 OHM	PC	1
R779	8044039091 RMGCFMIN 2K2 OHM +	PC	1

R780	8044039091 RMGCFMIN 2K2 OHM +	PC	1
R781	7043420091 RMGCFMIN 100R0 OHM	PC	1
R782	7043420091 RMGCFMIN 100R0 OHM	PC	1
R783	2047195091 RMGCFMIN 1K0 OHM +	PC	1
R784	2047195091 RMGCFMIN 1K0 OHM +	PC	1
R785	2047195091 RMGCFMIN 1K0 OHM +	PC	1
R786	2047195091 RMGCFMIN 1K0 OHM +	PC	1
R787	2047195091 RMGCFMIN 1K0 OHM +	PC	1
R788	2047195091 RMGCFMIN 1K0 OHM +	PC	1
R789	7043420091 RMGCFMIN 100R0 OHM	PC	1
R790	7043420091 RMGCFMIN 100R0 OHM	PC	1
R791	7043420091 RMGCFMIN 100R0 OHM	PC	1
R792	7043420091 RMGCFMIN 100R0 OHM	PC	1
R793	2047195091 RMGCFMIN 1K0 OHM +	PC	1
R794	2047195091 RMGCFMIN 1K0 OHM +	PC	1
R795	2047195091 RMGCFMIN 1K0 OHM +	PC	1
R796	2047195091 RMGCFMIN 1K0 OHM +	PC	1
R797	2047195091 RMGCFMIN 1K0 OHM +	PC	1
R798	2047195091 RMGCFMIN 1K0 OHM +	PC	1
R799	7043420091 RMGCFMIN 100R0 OHM	PC	1
R800	7043420091 RMGCFMIN 100R0 OHM	PC	1
R801	7043420091 RMGCFMIN 100R0 OHM	PC	1
R802	7043420091 RMGCFMIN 100R0 OHM	PC	1
R803	2047195091 RMGCFMIN 1K0 OHM +	PC	1
R804	2047195091 RMGCFMIN 1K0 OHM +	PC	1
R805	2047195091 RMGCFMIN 1K0 OHM +	PC	1
R806	7043420091 RMGCFMIN 100R0 OHM	PC	1
R807	7043420091 RMGCFMIN 100R0 OHM	PC	1
R808	2047195091 RMGCFMIN 1K0 OHM +	PC	1
R809	2047195091 RMGCFMIN 1K0 OHM +	PC	1
R810	2047195091 RMGCFMIN 1K0 OHM +	PC	1
R811	7043420091 RMGCFMIN 100R0 OHM	PC	1
R812	9057440091 RMGCFMIN 470R0 OHM	PC	1
R813	2047202091 RMGCFMIN 180K0 OHM	PC	1
R814	5088663091 RMGCFMIN 100K0 OHM	PC	1
R815	2047195091 RMGCFMIN 1K0 OHM +	PC	1
R816	9057440091 RMGCFMIN 470R0 OHM	PC	1
R817	2047202091 RMGCFMIN 180K0 OHM	PC	1
R818	5088663091 RMGCFMIN 100K0 OHM	PC	1
R819	2047195091 RMGCFMIN 1K0 OHM +	PC	1
R820	7043420091 RMGCFMIN 100R0 OHM	PC	1
R821	8044039091 RMGCFMIN 2K2 OHM +	PC	1
R822	8044039091 RMGCFMIN 2K2 OHM +	PC	1
R823	3094434091 RMGCFMIN 27K0 OHM	PC	1
R823	5088661091 RMGCFMIN 10K0 OHM	PC	1
R830	1106648091 RMGCFMIN 47K0 OHM	PC	1
R831	9057440091 RMGCFMIN 470R0 OHM	PC	1
R832	5088663091 RMGCFMIN 100K0 OHM	PC	1
R833	8044039091 RMGCFMIN 2K2 OHM +	PC	1
R834	8044040091 RMGCFMIN 5K6 OHM +	PC	1
R835	5088663091 RMGCFMIN 100K0 OHM	PC	1
R836	7043420091 RMGCFMIN 100R0 OHM	PC	1
R837	7043420091 RMGCFMIN 100R0 OHM	PC	1
R838	8044048091 RMGCFMIN 3M3 OHM +	PC	1
R839	7043420091 RMGCFMIN 100R0 OHM	PC	1
R840	7043420091 RMGCFMIN 100R0 OHM	PC	1
R841	5088663091 RMGCFMIN 100K0 OHM	PC	1
R842	2047199091 RMGCFMIN 12K0 OHM	PC	1

R843	2047199091 RMGCFMIN 12K0 OHM	PC	1
R844	2047199091 RMGCFMIN 12K0 OHM	PC	1
R845	1106644091 RMGCFMIN 3K3 OHM +	PC	1
R846	1106644091 RMGCFMIN 3K3 OHM +	PC	1
R847	5088663091 RMGCFMIN 100K0 OHM	PC	1
R848	2047199091 RMGCFMIN 12K0 OHM	PC	1
R849	2047199091 RMGCFMIN 12K0 OHM	PC	1
R850	2047199091 RMGCFMIN 12K0 OHM	PC	1
R851	1106644091 RMGCFMIN 3K3 OHM +	PC	1
R852	1106644091 RMGCFMIN 3K3 OHM +	PC	1
R853	5088663091 RMGCFMIN 100K0 OHM	PC	1
R854	8044039091 RMGCFMIN 2K2 OHM +	PC	1
R855	8044039091 RMGCFMIN 2K2 OHM +	PC	1
R856	8044039091 RMGCFMIN 2K2 OHM +	PC	1
R857	8044039091 RMGCFMIN 2K2 OHM +	PC	1
R858	8044039091 RMGCFMIN 2K2 OHM +	PC	1
R859	8044039091 RMGCFMIN 2K2 OHM +	PC	1
R860	3094432091 RMGCFMIN 9K1 OHM +	PC	1
R861	3094432091 RMGCFMIN 9K1 OHM +	PC	1
R861	9057443091 RMGCFMIN 18K0 OHM	PC	1
R862	9057443091 RMGCFMIN 18K0 OHM	PC	1
R863	9057443091 RMGCFMIN 18K0 OHM	PC	1
R864	2047192091 RMGCFMIN 220R0 OHM	PC	1
R865	8044039091 RMGCFMIN 2K2 OHM +	PC	1
R866	8044039091 RMGCFMIN 2K2 OHM +	PC	1
R867	7043420091 RMGCFMIN 100R0 OHM	PC	1
R868	7043420091 RMGCFMIN 100R0 OHM	PC	1
R869	7043420091 RMGCFMIN 100R0 OHM	PC	1
R870	7043420091 RMGCFMIN 100R0 OHM	PC	1
R871	7043420091 RMGCFMIN 100R0 OHM	PC	1
R872	7043420091 RMGCFMIN 100R0 OHM	PC	1
R873	7043420091 RMGCFMIN 100R0 OHM	PC	1
R874	7043420091 RMGCFMIN 100R0 OHM	PC	1
R875	7043420091 RMGCFMIN 100R0 OHM	PC	1
R876	7043420091 RMGCFMIN 100R0 OHM	PC	1
R878	7043420091 RMGCFMIN 100R0 OHM	PC	1
R879	7043420091 RMGCFMIN 100R0 OHM	PC	1
R880	7043420091 RMGCFMIN 100R0 OHM	PC	1
R881	7043420091 RMGCFMIN 100R0 OHM	PC	1
R882	9057440091 RMGCFMIN 470R0 OHM	PC	1
R883	2047202091 RMGCFMIN 180K0 OHM	PC	1
R884	5088663091 RMGCFMIN 100K0 OHM	PC	1
R885	9057440091 RMGCFMIN 470R0 OHM	PC	1
R886	2047202091 RMGCFMIN 180K0 OHM	PC	1
R887	5088663091 RMGCFMIN 100K0 OHM	PC	1
R888	9057440091 RMGCFMIN 470R0 OHM	PC	1
R889	2047202091 RMGCFMIN 180K0 OHM	PC	1
R890	2047195091 RMGCFMIN 1K0 OHM +	PC	1
R891	8044040091 RMGCFMIN 5K6 OHM +	PC	1
R892	5088663091 RMGCFMIN 100K0 OHM	PC	1
R893	9057440091 RMGCFMIN 470R0 OHM	PC	1
R894	2047202091 RMGCFMIN 180K0 OHM	PC	1
R895	2047195091 RMGCFMIN 1K0 OHM +	PC	1
R896	8044040091 RMGCFMIN 5K6 OHM +	PC	1
R897	5088663091 RMGCFMIN 100K0 OHM	PC	1
R898	9057440091 RMGCFMIN 470R0 OHM	PC	1
R899	5088663091 RMGCFMIN 100K0 OHM	PC	1
R901	8044040091 RMGCFMIN 5K6 OHM +	PC	1



R902	5088663091 RMGCFMIN 100K0 OHM	PC	1
R903	2047195091 RMGCFMIN 1K0 OHM +	PC	1
R904	9057440091 RMGCFMIN 470R0 OHM	PC	1
R905	5088663091 RMGCFMIN 100K0 OHM	PC	1
R907	8044040091 RMGCFMIN 5K6 OHM +	PC	1
R908	5088663091 RMGCFMIN 100K0 OHM	PC	1
R909	2047195091 RMGCFMIN 1K0 OHM +	PC	1
R910	9057440091 RMGCFMIN 470R0 OHM	PC	1
R911	5088663091 RMGCFMIN 100K0 OHM	PC	1
R912	2047195091 RMGCFMIN 1K0 OHM +	PC	1
R913	8044040091 RMGCFMIN 5K6 OHM +	PC	1
R914	5088663091 RMGCFMIN 100K0 OHM	PC	1
R915	2047195091 RMGCFMIN 1K0 OHM +	PC	1
R916	9057440091 RMGCFMIN 470R0 OHM	PC	1
R917	5088663091 RMGCFMIN 100K0 OHM	PC	1
R918	2047195091 RMGCFMIN 1K0 OHM +	PC	1
R919	5088661091 RMGCFMIN 10K0 OHM	PC	1
R920	5088663091 RMGCFMIN 100K0 OHM	PC	1
R921	2047195091 RMGCFMIN 1K0 OHM +	PC	1
R922	9057440091 RMGCFMIN 470R0 OHM	PC	1
R923	5088663091 RMGCFMIN 100K0 OHM	PC	1
R924	2047195091 RMGCFMIN 1K0 OHM +	PC	1
R925	8044040091 RMGCFMIN 5K6 OHM +	PC	1
R926	5088663091 RMGCFMIN 100K0 OHM	PC	1
R927	2047195091 RMGCFMIN 1K0 OHM +	PC	1
R928	9057440091 RMGCFMIN 470R0 OHM	PC	1
R929	5088663091 RMGCFMIN 100K0 OHM	PC	1
R930	2047195091 RMGCFMIN 1K0 OHM +	PC	1
R931	2047196091 RMGCFMIN 1K8 OHM +	PC	1
R931	4043829091 RMGCFMIN 1K5 OHM +	PC	1
R931	8044039091 RMGCFMIN 2K2 OHM +	PC	1
R932	5088663091 RMGCFMIN 100K0 OHM	PC	1
R933	2047192091 RMGCFMIN 220R0 OHM	PC	1
R934	9057440091 RMGCFMIN 470R0 OHM	PC	1
R935	3094434091 RMGCFMIN 27K0 OHM	PC	1
R936	5088663091 RMGCFMIN 100K0 OHM	PC	1
R937	2047195091 RMGCFMIN 1K0 OHM +	PC	1
R938	2047196091 RMGCFMIN 1K8 OHM +	PC	1
R938	4043829091 RMGCFMIN 1K5 OHM +	PC	1
R938	8044039091 RMGCFMIN 2K2 OHM +	PC	1
R939	5088663091 RMGCFMIN 100K0 OHM	PC	1
R940	2047192091 RMGCFMIN 220R0 OHM	PC	1
R941	3094432091 RMGCFMIN 9K1 OHM +	PC	1
R942	9057440091 RMGCFMIN 470R0 OHM	PC	1
R943	2047202091 RMGCFMIN 180K0 OHM	PC	1
R944	5088663091 RMGCFMIN 100K0 OHM	PC	1
R945	9057440091 RMGCFMIN 470R0 OHM	PC	1
R946	2047202091 RMGCFMIN 180K0 OHM	PC	1
R947	5088663091 RMGCFMIN 100K0 OHM	PC	1
R948	3094434091 RMGCFMIN 27K0 OHM	PC	1
R949	2047192091 RMGCFMIN 220R0 OHM	PC	1
R950	9057440091 RMGCFMIN 470R0 OHM	PC	1
R951	2047195091 RMGCFMIN 1K0 OHM +	PC	1
R952	2047195091 RMGCFMIN 1K0 OHM +	PC	1
R953	5088663091 RMGCFMIN 100K0 OHM	PC	1
R954	8044040091 RMGCFMIN 5K6 OHM +	PC	1
R955	5088663091 RMGCFMIN 100K0 OHM	PC	1
R956	3094432091 RMGCFMIN 9K1 OHM +	PC	1

R956	9057443091 RMGCFMIN 18K0 OHM	PC	1
R957	2047195091 RMGCFMIN 1K0 OHM +	PC	1
R958	2047195091 RMGCFMIN 1K0 OHM +	PC	1
R959	2047195091 RMGCFMIN 1K0 OHM +	PC	1
R960	2047195091 RMGCFMIN 1K0 OHM +	PC	1
R961	2047195091 RMGCFMIN 1K0 OHM +	PC	1
R962	2047195091 RMGCFMIN 1K0 OHM +	PC	1
R963	5088655091 RMGCFMIN 560R0 OHM	PC	1
R964	5088655091 RMGCFMIN 560R0 OHM	PC	1
R965	9057440091 RMGCFMIN 470R0 OHM	PC	1
R966	9057440091 RMGCFMIN 470R0 OHM	PC	1
R967	3094434091 RMGCFMIN 27K0 OHM	PC	1
R968	3094434091 RMGCFMIN 27K0 OHM	PC	1
R969	9057443091 RMGCFMIN 18K0 OHM	PC	1
R970	9057443091 RMGCFMIN 18K0 OHM	PC	1

PL DWG NO.: JE000093

**PL TITLE : AVR D SER.DSP BD ASM**

ISSUE DATE: 05-22-00

ISSUED BY : KK HO

\* = CRITICAL ITEM

E	ITEM	DRAWING NO.	PART NAME/TEXT	UM	QTYFAC
	#005	JE00009303EA	AVR3000EU DSPBD AS	PC	
	#006	JE00009302EA	AVR2000EU DSPBD AS	PC	
	#007	JE00009304EA	AVR4000EU DSPBD AS	PC	
	#008	JE00009305EA	AVR5000EU DSPBD AS	PC	
	'050	J60600014000	SHIELD DIGITAL ET	PC	1
	CN05	J4305100060X	CNT ASSY 5P 480MM	PC	1
	COIL1	J2831020205X	TRANS PULSE 110UH	PC	1
	COIL2	J2831020305X	TRANS PULSE 110UH	PC	1
	CP01	J4422212140X	FPC PLUG 21P 1.25M	PC	1
	CP02	J4423331100X	CNT PLUG BD'BD 2.0	PC	1
	CP03	J4423331600X	CNT PLUG BD'BD 2.0	PC	1
	CP04	J4420130540X	CNT 2.0MM 5P	PC	1
	C112	2025256030	CE 220U0F +20% 6.3	PC	1
	C148	20269180AM	CE 1MIOF +20% 6.3V	PC	1
	C149	20269180AM	CE 1MIOF +20% 6.3V	PC	1
	C150	20269180AM	CE 1MIOF +20% 6.3V	PC	1
	JAC1	J2123806001X	FIBER TORX178B	PC	1
	JAC2	J2123806001X	FIBER TORX178B	PC	1
	JAC3	J44302001100	JACK RA 2P OO JC02	PC	1
	JAC4	J2123806002X	FIBER OPT TRANS	PC	1
	JAC5	J44301000700	JACK RCA 1P O W/GN	PC	1
	JAC6	J2123806001X	FIBER TORX178B	PC	1
	JAC7	J44301000600	JACK RCA 1P O W/GN	PC	1
	OSC1	J3914010025X	CRY 12.28MHZ	PC	1
	RLY1	J5511610020X	RELAY TSC-105L3H	PC	1
C2	W001	J4305100020X	LUG WIRE 1P 100MM	PC	1

PL DWG NO.: JE000094

**PL TITLE : AVR D SER.DSP BD APP**

ISSUE DATE: 05-22-00

ISSUED BY : KK HO

\* = CRITICAL ITEM

E	ITEM	DRAWING NO.	PART NAME/TEXT	UM	QTYFAC
	#005	JE00009403EA	AVR3000EU DSPBD AP	PC	
	#006	JE00009402EA	AVR2000EU DSPBD AP	PC	
	#007	JE00009404EA	AVR4000EU DSPBD AP	PC	
	#008	JE00009405EA	AVR5000EU DSPBD AP	PC	
	'022	J4020100100D	PCB DSP 144*184XT	PC	1
	'022	J4020100130A	PCB DSP 144*184XT	PC	1
	C020	J3640683220X	CMP 0.068U 63V J	PC	1
	C031	2026884030	CE 1U0F +20% 50.0V	PC	1
	C032	2026884030	CE 1U0F +20% 50.0V	PC	1
	C056	2026885030	CE 2U2F +20% 50.0V	PC	1
	C068	J3470910030X	CE RA/TAP 10UF 16V	PC	1
	C069	J3470910030X	CE RA/TAP 10UF 16V	PC	1
	C070	J3470910030X	CE RA/TAP 10UF 16V	PC	1
	C071	J3470910030X	CE RA/TAP 10UF 16V	PC	1
	C080	J3470910030X	CE RA/TAP 10UF 16V	PC	1
	C081	J3470910030X	CE RA/TAP 10UF 16V	PC	1

C082	J3470910030X	CE RA/TAP 10UF 16V	PC	1
C083	J3470910030X	CE RA/TAP 10UF 16V	PC	1
C092	J3470910030X	CE RA/TAP 10UF 16V	PC	1
C093	J3470910030X	CE RA/TAP 10UF 16V	PC	1
C094	J3470910030X	CE RA/TAP 10UF 16V	PC	1
C095	J3470910030X	CE RA/TAP 10UF 16V	PC	1
C110	J3470910030X	CE RA/TAP 10UF 16V	PC	1
C111	J3470910030X	CE RA/TAP 10UF 16V	PC	1
C114	2026884030	CE 1U0F +20% 50.0V	PC	1
C115	2026884030	CE 1U0F +20% 50.0V	PC	1
C116	2026884030	CE 1U0F +20% 50.0V	PC	1
C117	2026884030	CE 1U0F +20% 50.0V	PC	1
C118	2026884030	CE 1U0F +20% 50.0V	PC	1
C119	2026884030	CE 1U0F +20% 50.0V	PC	1
C144	J3470910030X	CE RA/TAP 10UF 16V	PC	1
C145	J3470910030X	CE RA/TAP 10UF 16V	PC	1
C146	J3470910030X	CE RA/TAP 10UF 16V	PC	1
C151	2026902030	CE 100U0F +20% 16.	PC	1
C152	2026902030	CE 100U0F +20% 16.	PC	1
C153	2026783030	CE 47U0F +20% 16.0	PC	1
C154	2026783030	CE 47U0F +20% 16.0	PC	1
C155	J3470910030X	CE RA/TAP 10UF 16V	PC	1
C156	J3470910030X	CE RA/TAP 10UF 16V	PC	1
C157	J3470910030X	CE RA/TAP 10UF 16V	PC	1
C158	J3470910030X	CE RA/TAP 10UF 16V	PC	1
C159	J3470910030X	CE RA/TAP 10UF 16V	PC	1
C160	J3470910030X	CE RA/TAP 10UF 16V	PC	1
C164	2026783030	CE 47U0F +20% 16.0	PC	1
C165	2026783030	CE 47U0F +20% 16.0	PC	1
C167	2026783030	CE 47U0F +20% 16.0	PC	1
C168	2026783030	CE 47U0F +20% 16.0	PC	1

PL DWG NO.: JE000096

**PL TITLE : AVR D SER.DSP BD T-SMT**

ISSUE DATE: 05-22-00

ISSUED BY : KK HO

\* = CRITICAL ITEM

E	ITEM	DRAWING NO.	PART NAME/TEXT	UM	QTYFAC
	#001	JE00009602UA	AVR210US DSPBD T-S	PC	
	#002	JE00009603UA	AVR310US DSPBD T-S	PC	
	#003	JE00009605UA	AVR510US DSPBD T-S	PC	
	#004	JE00009601UA	AVR110US DSPBD T-S	PC	
	#005	JE00009603EA	AVR3000EU DSPBD T-	PC	
	#006	JE00009602EA	AVR2000EU DSPBD T-	PC	
	#007	JE00009604EA	AVR4000EU DSPBD T-	PC	
	#008	JE00009605EA	AVR5000EU DSPBD T-	PC	
	#009	JE00009606UA	DCR600US DSPBD T-S	PC	
	BD05	J2631300204X	BEAD CHIP/TAP HB-1	PC	1
	BD16	J2631300204X	BEAD CHIP/TAP HB-1	PC	1
	BD18	J2631300204X	BEAD CHIP/TAP HB-1	PC	1
	BD61	J2631300204X	BEAD CHIP/TAP HB-1	PC	1
	C003	1105934091	CCCFMIN 10N0F +10%	PC	1
	C004	1105934091	CCCFMIN 10N0F +10%	PC	1
	C010	6044108091	CCCFMIN 22P0F +5%	PC	1
	C011	1105934091	CCCFMIN 10N0F +10%	PC	1
	C019	2026729091	CCCFMIN 100N0F +80	PC	1
	C021	4043518091	CCCFMIN 47P0F +5%	PC	1

C023	4043518091	CCCFMIN 47P0F +5%	PC	1
C024	4043518091	CCCFMIN 47P0F +5%	PC	1
C025	4043518091	CCCFMIN 47P0F +5%	PC	1
C028	4043518091	CCCFMIN 47P0F +5%	PC	1
C055	4043518091	CCCFMIN 47P0F +5%	PC	1
C057	2026732091	CCCFMIN 220N0F +80	PC	1
C060	2047195091	RMGCFMIN 1K0 OHM +	PC	1
C062	1105864091	CCCFMIN 27P0F +5%	PC	1
C067	4043518091	CCCFMIN 47P0F +5%	PC	1
C072	3093923091	CCCFMIN 2N7F +10%	PC	1
C073	3093923091	CCCFMIN 2N7F +10%	PC	1
C074	1105871091	CCCFMIN 560P0F +5%	PC	1
C075	3093923091	CCCFMIN 2N7F +10%	PC	1
C076	3093923091	CCCFMIN 2N7F +10%	PC	1
C077	1105871091	CCCFMIN 560P0F +5%	PC	1
C078	1105871091	CCCFMIN 560P0F +5%	PC	1
C079	1105871091	CCCFMIN 560P0F +5%	PC	1
C084	3093923091	CCCFMIN 2N7F +10%	PC	1
C085	3093923091	CCCFMIN 2N7F +10%	PC	1
C086	1105871091	CCCFMIN 560P0F +5%	PC	1
C087	3093923091	CCCFMIN 2N7F +10%	PC	1
C088	3093923091	CCCFMIN 2N7F +10%	PC	1
C089	1105871091	CCCFMIN 560P0F +5%	PC	1
C090	1105871091	CCCFMIN 560P0F +5%	PC	1
C091	1105871091	CCCFMIN 560P0F +5%	PC	1
C096	3093923091	CCCFMIN 2N7F +10%	PC	1
C097	3093923091	CCCFMIN 2N7F +10%	PC	1
C098	1105871091	CCCFMIN 560P0F +5%	PC	1
C099	2046934091	CCCFMIN 4N7F +10%	PC	1
C100	2046934091	CCCFMIN 4N7F +10%	PC	1
C101	1105932091	CCCFMIN 1N0F +10%	PC	1
C102	1105871091	CCCFMIN 560P0F +5%	PC	1
C103	1105932091	CCCFMIN 1N0F +10%	PC	1
C104	1105933091	CCCFMIN 2N2F +10%	PC	1
C105	1105933091	CCCFMIN 2N2F +10%	PC	1
C106	1105867091	CCCFMIN 100P0F +5%	PC	1
C107	1105867091	CCCFMIN 100P0F +5%	PC	1
C108	1105867091	CCCFMIN 100P0F +5%	PC	1
C109	1105867091	CCCFMIN 100P0F +5%	PC	1
C120	2026729091	CCCFMIN 100N0F +80	PC	1
C121	2026729091	CCCFMIN 100N0F +80	PC	1
C122	2026729091	CCCFMIN 100N0F +80	PC	1
C136	2026729091	CCCFMIN 100N0F +80	PC	1
C138	1105867091	CCCFMIN 100P0F +5%	PC	1
C139	1105867091	CCCFMIN 100P0F +5%	PC	1
C163	7043420091	RMGCFMIN 100R0 OHM	PC	1
C178	2026729091	CCCFMIN 100N0F +80	PC	1
D003	J2244010104X	DIODE CHIP 1SS355	PC	1
D004	J2244010104X	DIODE CHIP 1SS355	PC	1
D005	J2244010104X	DIODE CHIP 1SS355	PC	1
D008	J2244010104X	DIODE CHIP 1SS355	PC	1
IC01	J2129012001X	IC CLK NJU6324M	PC	1
IC04	J2131328001X	IC AT27LV020A	PC	1
IC04	J2131328004X	IC EPROM AT27LV020	PC	1
IC05	J2135326005X	IC CS493263-CL PLC	PC	1
IC06	J2133926005X	IC DAC CS4391-KS S	PC	1
IC07	J2133926005X	IC DAC CS4391-KS S	PC	1
IC08	J2133926005X	IC DAC CS4391-KS S	PC	1

IC09	J2133926002X	IC ADC CS5360-KS	PC	1
IC10	J2116007001X	IC 74HCU04M1R HEX	PC	1
IC11	J2116007001X	IC 74HCU04M1R HEX	PC	1
IC12	J2116007001X	IC 74HCU04M1R HEX	PC	1
IC13	J2142032005X	IC 74VHC153MX	PC	1
IC14	J2136926001X	IC DIR CS8414-CS	PC	1
IC15	J2141004002X	IC BU4094 SOP16	PC	1
IC16	J2141004001X	IC BU4051 SOP16	PC	1
IC17	J2142032006X	IC 74VHC157MX	PC	1
IC18	J2142032002X	IC TC74VHC244MX	PC	1
IC19	J2142032002X	IC TC74VHC244MX	PC	1
IC20	J2110012004X	IC OPAMP NJM2068	PC	1
IC21	J2110012004X	IC OPAMP NJM2068	PC	1
IC22	J2110012004X	IC OPAMP NJM2068	PC	1
IC23	J2121012002X	IC SW NJU201AM	PC	1
IC24	J2110012004X	IC OPAMP NJM2068	PC	1
IC25	J2110012004X	IC OPAMP NJM2068	PC	1
IC28	J2110012004X	IC OPAMP NJM2068	PC	1
L001	J2611433022X	COIL CHIP 33UH K F	PC	1
L002	J2611433022X	COIL CHIP 33UH K F	PC	1
L003	J2611433022X	COIL CHIP 33UH K F	PC	1
L004	J2611433022X	COIL CHIP 33UH K F	PC	1
Q005	J2041220102X	TR NPN DTC114YKA	PC	1
Q005	J2041220201X	TR CHIP NPN KRC107	PC	1
Q006	J2041220102X	TR NPN DTC114YKA	PC	1
Q006	J2041220201X	TR CHIP NPN KRC107	PC	1
Q024	J2041220102X	TR NPN DTC114YKA	PC	1
Q024	J2041220201X	TR CHIP NPN KRC107	PC	1
R003	1106648091	RMGCFMIN 47K0 OHM	PC	1
R004	1106648091	RMGCFMIN 47K0 OHM	PC	1
R005	5088655091	RMGCFMIN 560R0 OHM	PC	1
R006	5088655091	RMGCFMIN 560R0 OHM	PC	1
R007	8044039091	RMGCFMIN 2K2 OHM +	PC	1
R008	1106648091	RMGCFMIN 47K0 OHM	PC	1
R009	8044039091	RMGCFMIN 2K2 OHM +	PC	1
R010	1106648091	RMGCFMIN 47K0 OHM	PC	1
R011	8044040091	RMGCFMIN 5K6 OHM +	PC	1
R012	3094425091	RMGCFMIN 10R0 OHM	PC	1
R013	9057440091	RMGCFMIN 470R0 OHM	PC	1
R014	7043420091	RMGCFMIN 100R0 OHM	PC	1
R015	2047193091	RMGCFMIN 510R0 OHM	PC	1
R016	7043423091	RMGCFMIN 1K2 OHM +	PC	1
R017	7043423091	RMGCFMIN 1K2 OHM +	PC	1
R018	5088655091	RMGCFMIN 560R0 OHM	PC	1
R019	5088655091	RMGCFMIN 560R0 OHM	PC	1
R020	1106639091	RMGCFMIN 75R0 OHM	PC	1
R021	3094425091	RMGCFMIN 10R0 OHM	PC	1
R022	1106648091	RMGCFMIN 47K0 OHM	PC	1
R023	9057440091	RMGCFMIN 470R0 OHM	PC	1
R024	9057440091	RMGCFMIN 470R0 OHM	PC	1
R025	7043420091	RMGCFMIN 100R0 OHM	PC	1
R026	2047193091	RMGCFMIN 510R0 OHM	PC	1
R027	8044039091	RMGCFMIN 2K2 OHM +	PC	1
R028	1106648091	RMGCFMIN 47K0 OHM	PC	1
R029	8044039091	RMGCFMIN 2K2 OHM +	PC	1
R030	1106648091	RMGCFMIN 47K0 OHM	PC	1
R031	8044040091	RMGCFMIN 5K6 OHM +	PC	1
R036	8044040091	RMGCFMIN 5K6 OHM +	PC	1

R037	8044039091 RMGCFMIN 2K2 OHM +	PC	1
R038	1106648091 RMGCFMIN 47K0 OHM	PC	1
R039	5088663091 RMGCFMIN 100K0 OHM	PC	1
R040	5088663091 RMGCFMIN 100K0 OHM	PC	1
R041	2047195091 RMGCFMIN 1K0 OHM +	PC	1
R042	2047195091 RMGCFMIN 1K0 OHM +	PC	1
R044	8044040091 RMGCFMIN 5K6 OHM +	PC	1
R045	8044040091 RMGCFMIN 5K6 OHM +	PC	1
R046	5088661091 RMGCFMIN 10K0 OHM	PC	1
R047	5088661091 RMGCFMIN 10K0 OHM	PC	1
R048	5088660091 RMGCFMIN 5K1 OHM +	PC	1
R049	9057440091 RMGCFMIN 470R0 OHM	PC	1
R050	5088660091 RMGCFMIN 5K1 OHM +	PC	1
R051	5088661091 RMGCFMIN 10K0 OHM	PC	1
R052	5088661091 RMGCFMIN 10K0 OHM	PC	1
R053	8044040091 RMGCFMIN 5K6 OHM +	PC	1
R054	7043423091 RMGCFMIN 1K2 OHM +	PC	1
R055	7043423091 RMGCFMIN 1K2 OHM +	PC	1
R056	8044040091 RMGCFMIN 5K6 OHM +	PC	1
R057	7043423091 RMGCFMIN 1K2 OHM +	PC	1
R058	7043423091 RMGCFMIN 1K2 OHM +	PC	1
R059	5088655091 RMGCFMIN 560R0 OHM	PC	1
R060	5088655091 RMGCFMIN 560R0 OHM	PC	1
R061	5088661091 RMGCFMIN 10K0 OHM	PC	1
R062	5088661091 RMGCFMIN 10K0 OHM	PC	1
R063	5088661091 RMGCFMIN 10K0 OHM	PC	1
R064	5088661091 RMGCFMIN 10K0 OHM	PC	1
R065	5088663091 RMGCFMIN 100K0 OHM	PC	1
R066	5088663091 RMGCFMIN 100K0 OHM	PC	1
R067	5088661091 RMGCFMIN 10K0 OHM	PC	1
R068	5088661091 RMGCFMIN 10K0 OHM	PC	1
R071	2047195091 RMGCFMIN 1K0 OHM +	PC	1
R072	4043829091 RMGCFMIN 1K5 OHM +	PC	1
R073	8044040091 RMGCFMIN 5K6 OHM +	PC	1
R074	8044040091 RMGCFMIN 5K6 OHM +	PC	1
R075	5088663091 RMGCFMIN 100K0 OHM	PC	1
R076	5088661091 RMGCFMIN 10K0 OHM	PC	1
R078	5088661091 RMGCFMIN 10K0 OHM	PC	1
R080	3094431091 RMGCFMIN 4K7 OHM +	PC	1
R081	5088661091 RMGCFMIN 10K0 OHM	PC	1
R082	5088661091 RMGCFMIN 10K0 OHM	PC	1
R083	5088661091 RMGCFMIN 10K0 OHM	PC	1
R084	5088661091 RMGCFMIN 10K0 OHM	PC	1
R085	5088661091 RMGCFMIN 10K0 OHM	PC	1
R086	5088661091 RMGCFMIN 10K0 OHM	PC	1
R087	5088661091 RMGCFMIN 10K0 OHM	PC	1
R088	5088661091 RMGCFMIN 10K0 OHM	PC	1
R089	5088663091 RMGCFMIN 100K0 OHM	PC	1
R091	8044037091 RMGCFMIN 150R0 OHM	PC	1
R092	8044037091 RMGCFMIN 150R0 OHM	PC	1
R093	5088661091 RMGCFMIN 10K0 OHM	PC	1
R094	5088661091 RMGCFMIN 10K0 OHM	PC	1
R095	5088661091 RMGCFMIN 10K0 OHM	PC	1
R096	5088661091 RMGCFMIN 10K0 OHM	PC	1
R097	5088661091 RMGCFMIN 10K0 OHM	PC	1
R098	5088661091 RMGCFMIN 10K0 OHM	PC	1
R099	8044037091 RMGCFMIN 150R0 OHM	PC	1
R100	8044037091 RMGCFMIN 150R0 OHM	PC	1

R101	3094433091 RMGCFMIN 20K0 OHM	PC	1
R102	3094433091 RMGCFMIN 20K0 OHM	PC	1
R103	2047195091 RMGCFMIN 1K0 OHM +	PC	1
R104	2047195091 RMGCFMIN 1K0 OHM +	PC	1
R105	5088663091 RMGCFMIN 100K0 OHM	PC	1
R106	5088663091 RMGCFMIN 100K0 OHM	PC	1
R107	3094431091 RMGCFMIN 4K7 OHM +	PC	1
R108	3094431091 RMGCFMIN 4K7 OHM +	PC	1
R109	5088661091 RMGCFMIN 10K0 OHM	PC	1
R111	5088661091 RMGCFMIN 10K0 OHM	PC	1
R112	3094431091 RMGCFMIN 4K7 OHM +	PC	1
R113	5088661091 RMGCFMIN 10K0 OHM	PC	1
R114	5088661091 RMGCFMIN 10K0 OHM	PC	1
R115	2047195091 RMGCFMIN 1K0 OHM +	PC	1
R116	2026729091 CCCFMIN 100N0F +80	PC	1
R117	5088661091 RMGCFMIN 10K0 OHM	PC	1
R118	7043423091 RMGCFMIN 1K2 OHM +	PC	1
R119	3094431091 RMGCFMIN 4K7 OHM +	PC	1
R120	3094431091 RMGCFMIN 4K7 OHM +	PC	1
R121	7043423091 RMGCFMIN 1K2 OHM +	PC	1
R122	5088655091 RMGCFMIN 560R0 OHM	PC	1
R123	5088655091 RMGCFMIN 560R0 OHM	PC	1
R124	2047202091 RMGCFMIN 180K0 OHM	PC	1
R125	2047202091 RMGCFMIN 180K0 OHM	PC	1
R126	5088660091 RMGCFMIN 5K1 OHM +	PC	1
R127	5088660091 RMGCFMIN 5K1 OHM +	PC	1
R128	5088660091 RMGCFMIN 5K1 OHM +	PC	1
R129	5088660091 RMGCFMIN 5K1 OHM +	PC	1
R130	8044040091 RMGCFMIN 5K6 OHM +	PC	1
R131	7043423091 RMGCFMIN 1K2 OHM +	PC	1
R132	7043423091 RMGCFMIN 1K2 OHM +	PC	1
R133	8044040091 RMGCFMIN 5K6 OHM +	PC	1
R134	7043423091 RMGCFMIN 1K2 OHM +	PC	1
R135	7043423091 RMGCFMIN 1K2 OHM +	PC	1
R136	5088655091 RMGCFMIN 560R0 OHM	PC	1
R137	5088655091 RMGCFMIN 560R0 OHM	PC	1
R138	8044040091 RMGCFMIN 5K6 OHM +	PC	1
R139	8044040091 RMGCFMIN 5K6 OHM +	PC	1
R141	1106648091 RMGCFMIN 47K0 OHM	PC	1
R143	8044040091 RMGCFMIN 5K6 OHM +	PC	1
R144	8044040091 RMGCFMIN 5K6 OHM +	PC	1
R145	8044040091 RMGCFMIN 5K6 OHM +	PC	1
R146	8044040091 RMGCFMIN 5K6 OHM +	PC	1
R147	8044040091 RMGCFMIN 5K6 OHM +	PC	1
R148	7043423091 RMGCFMIN 1K2 OHM +	PC	1
R149	7043423091 RMGCFMIN 1K2 OHM +	PC	1
R151	7043420091 RMGCFMIN 100R0 OHM	PC	1
R152	7043420091 RMGCFMIN 100R0 OHM	PC	1
R159	9057440091 RMGCFMIN 470R0 OHM	PC	1
R160	2047195091 RMGCFMIN 1K0 OHM +	PC	1
R161	6044435091 RMGCFMIN 47R0 OHM	PC	1
R162	3094425091 RMGCFMIN 10R0 OHM	PC	1
R163	3094425091 RMGCFMIN 10R0 OHM	PC	1
R164	9057440091 RMGCFMIN 470R0 OHM	PC	1
R165	9057440091 RMGCFMIN 470R0 OHM	PC	1
R166	2047202091 RMGCFMIN 180K0 OHM	PC	1
R167	2047202091 RMGCFMIN 180K0 OHM	PC	1
R168	9057440091 RMGCFMIN 470R0 OHM	PC	1



R169	9057440091 RMGCFMIN 470R0 OHM	PC	1
R170	2047195091 RMGCFMIN 1K0 OHM +	PC	1
R171	3094428091 RMGCFMIN 120R0 OHM	PC	1
R172	9057440091 RMGCFMIN 470R0 OHM	PC	1
R173	5088655091 RMGCFMIN 560R0 OHM	PC	1
R174	5088655091 RMGCFMIN 560R0 OHM	PC	1
R175	8044037091 RMGCFMIN 150R0 OHM	PC	1
R176	5088655091 RMGCFMIN 560R0 OHM	PC	1
R177	5088655091 RMGCFMIN 560R0 OHM	PC	1
R178	5088655091 RMGCFMIN 560R0 OHM	PC	1
R179	5088655091 RMGCFMIN 560R0 OHM	PC	1
R180	5088655091 RMGCFMIN 560R0 OHM	PC	1
R181	5088655091 RMGCFMIN 560R0 OHM	PC	1
R182	5088655091 RMGCFMIN 560R0 OHM	PC	1
R183	7043420091 RMGCFMIN 100R0 OHM	PC	1
R184	5088655091 RMGCFMIN 560R0 OHM	PC	1

PL DWG NO.: JE000098

**PL TITLE : AVR D SER.DSP BD B-SMT**

ISSUE DATE: 05-22-00

ISSUED BY : KK HO

\* = CRITICAL ITEM

E	ITEM	DRAWING NO.	PART NAME/TEXT	UM	QTYFAC
	BD01	J2631300204X	BEAD CHIP/TAP HB-1	PC	1
	BD02	J2631300204X	BEAD CHIP/TAP HB-1	PC	1
	BD04	J2631300204X	BEAD CHIP/TAP HB-1	PC	1
	BD10	J2631300204X	BEAD CHIP/TAP HB-1	PC	1
	BD11	J2631300204X	BEAD CHIP/TAP HB-1	PC	1
	BD12	J2631300204X	BEAD CHIP/TAP HB-1	PC	1
	BD15	J2631300224X	BEAD CHIP/TAP,HH-1	PC	1
	BD23	J2631300204X	BEAD CHIP/TAP HB-1	PC	1
	BD24	J2631300204X	BEAD CHIP/TAP HB-1	PC	1
	BD25	J2631300204X	BEAD CHIP/TAP HB-1	PC	1
	BD26	J2631300204X	BEAD CHIP/TAP HB-1	PC	1
	BD27	J2631300204X	BEAD CHIP/TAP HB-1	PC	1
	BD28	J2631300204X	BEAD CHIP/TAP HB-1	PC	1
	BD29	J2631300204X	BEAD CHIP/TAP HB-1	PC	1
	BD30	J2631300204X	BEAD CHIP/TAP HB-1	PC	1
	BD31	J2631300204X	BEAD CHIP/TAP HB-1	PC	1
	BD32	J2631300204X	BEAD CHIP/TAP HB-1	PC	1
	BD34	J2631300204X	BEAD CHIP/TAP HB-1	PC	1
	BD38	J2631300204X	BEAD CHIP/TAP HB-1	PC	1
	BD41	J2631300204X	BEAD CHIP/TAP HB-1	PC	1
	BD42	J2631300204X	BEAD CHIP/TAP HB-1	PC	1
	BD43	J2631300204X	BEAD CHIP/TAP HB-1	PC	1
	BD44	J2631300204X	BEAD CHIP/TAP HB-1	PC	1
	BD45	J2631300204X	BEAD CHIP/TAP HB-1	PC	1
	BD57	J2631300204X	BEAD CHIP/TAP HB-1	PC	1
	BD58	J2631300204X	BEAD CHIP/TAP HB-1	PC	1
	BD62	J2631300204X	BEAD CHIP/TAP HB-1	PC	1
	BD71	J2631300204X	BEAD CHIP/TAP HB-1	PC	1
	C001	6044108091 CCCFMIN 22P0F +5%	PC	1	
	C002	6044108091 CCCFMIN 22P0F +5%	PC	1	
	C005	2026729091 CCCFMIN 100N0F +80	PC	1	
	C006	2026729091 CCCFMIN 100N0F +80	PC	1	
	C007	2026729091 CCCFMIN 100N0F +80	PC	1	
	C008	2026729091 CCCFMIN 100N0F +80	PC	1	

C009	2026729091 CCCFMIN 100N0F +80	PC	1
C012	2026729091 CCCFMIN 100N0F +80	PC	1
C013	2026729091 CCCFMIN 100N0F +80	PC	1
C014	2026729091 CCCFMIN 100N0F +80	PC	1
C015	2026729091 CCCFMIN 100N0F +80	PC	1
C016	2026729091 CCCFMIN 100N0F +80	PC	1
C017	2026729091 CCCFMIN 100N0F +80	PC	1
C018	2026729091 CCCFMIN 100N0F +80	PC	1
C022	2026729091 CCCFMIN 100N0F +80	PC	1
C026	2026729091 CCCFMIN 100N0F +80	PC	1
C029	2026729091 CCCFMIN 100N0F +80	PC	1
C030	2026729091 CCCFMIN 100N0F +80	PC	1
C033	2026729091 CCCFMIN 100N0F +80	PC	1
C034	2026729091 CCCFMIN 100N0F +80	PC	1
C035	2026729091 CCCFMIN 100N0F +80	PC	1
C036	4043518091 CCCFMIN 47P0F +5%	PC	1
C037	4043518091 CCCFMIN 47P0F +5%	PC	1
C040	2026729091 CCCFMIN 100N0F +80	PC	1
C041	2026729091 CCCFMIN 100N0F +80	PC	1
C042	2026729091 CCCFMIN 100N0F +80	PC	1
C043	2026729091 CCCFMIN 100N0F +80	PC	1
C049	4043518091 CCCFMIN 47P0F +5%	PC	1
C050	4043518091 CCCFMIN 47P0F +5%	PC	1
C059	2026729091 CCCFMIN 100N0F +80	PC	1
C061	2046897091 CCCFMIN 330P0F +5%	PC	1
C063	2026729091 CCCFMIN 100N0F +80	PC	1
C064	1105867091 CCCFMIN 100P0F +5%	PC	1
C065	2026729091 CCCFMIN 100N0F +80	PC	1
C066	2026729091 CCCFMIN 100N0F +80	PC	1
C113	2026729091 CCCFMIN 100N0F +80	PC	1
C123	2026729091 CCCFMIN 100N0F +80	PC	1
C124	2026729091 CCCFMIN 100N0F +80	PC	1
C125	2026729091 CCCFMIN 100N0F +80	PC	1
C126	2026729091 CCCFMIN 100N0F +80	PC	1
C127	2026729091 CCCFMIN 100N0F +80	PC	1
C128	2026729091 CCCFMIN 100N0F +80	PC	1
C129	2026729091 CCCFMIN 100N0F +80	PC	1
C130	2026729091 CCCFMIN 100N0F +80	PC	1
C131	2026729091 CCCFMIN 100N0F +80	PC	1
C132	2026729091 CCCFMIN 100N0F +80	PC	1
C133	2026729091 CCCFMIN 100N0F +80	PC	1
C134	2026729091 CCCFMIN 100N0F +80	PC	1
C135	2026729091 CCCFMIN 100N0F +80	PC	1
C137	2026729091 CCCFMIN 100N0F +80	PC	1
C140	2026729091 CCCFMIN 100N0F +80	PC	1
C141	2026729091 CCCFMIN 100N0F +80	PC	1
C142	2026729091 CCCFMIN 100N0F +80	PC	1
C143	2026729091 CCCFMIN 100N0F +80	PC	1
C147	3093873091 CCCFMIN 220P0F +5%	PC	1
C166	2026729091 CCCFMIN 100N0F +80	PC	1
C169	2046897091 CCCFMIN 330P0F +5%	PC	1
C170	2026729091 CCCFMIN 100N0F +80	PC	1
C171	2026729091 CCCFMIN 100N0F +80	PC	1
C172	2026729091 CCCFMIN 100N0F +80	PC	1
C174	4043518091 CCCFMIN 47P0F +5%	PC	1
C175	4043518091 CCCFMIN 47P0F +5%	PC	1
C176	4043518091 CCCFMIN 47P0F +5%	PC	1
D009	J2244010104X DIODE CHIP 1SS355	PC	1

IC02	J2142032001X	IC F/F 74VHC574MX	PC	1
IC03	J2142032001X	IC F/F 74VHC574MX	PC	1
R001	1106639091	RMGCFMIN 75R0 OHM	PC	1
R002	1106639091	RMGCFMIN 75R0 OHM	PC	1
R043	1511259091	RMGCFMIN 3R3 OHM +	PC	1
R069	7043420091	RMGCFMIN 100R0 OHM	PC	1
R070	7043420091	RMGCFMIN 100R0 OHM	PC	1
R090	1511259091	RMGCFMIN 3R3 OHM +	PC	1
R150	1035519091	RMGCFMIN 2R2 OHM +	PC	1

PL DWG NO.: JE000099

**PL TITLE : AVR SER.MAIN BD ASM**

ISSUE DATE: 05-22-00

ISSUED BY : KK HO

\* = CRITICAL ITEM

E	ITEM	DRAWING NO.	PART NAME/TEXT	UM	QTYFAC
	#005	JE00009902EA	AVR2000EU MNBD ASM	PC	
	#006	JE00009903EA	AVR3000EU MNBD ASM	PC	
	#007	JE00009904EA	AVR4000EU MNBD ASM	PC	
	#008	JE00009905EA	AVR5000EU MNBD ASM	PC	
	'050	J60530002100	H/SINK REG 118*20*	PC	1
	CN401	J4420050300X	CNT ST 35313-0310	PC	1
	CN402	J4420040600X	CNT PLUG 2.5 6P	PC	1
	CN403	J4420040300X	CNT PLUG 2.5 3P	PC	1
	CN407	J4423230500X	CNT 2.0MM 35336-05	PC	1
	CN408	J4423231500X	CNT 2.0 35336-1510	PC	1
	CN409	J4423231500X	CNT 2.0 35336-1510	PC	1
	CN410	J4423231500X	CNT 2.0 35336-1510	PC	1
	CN411	J4423231500X	CNT 2.0 35336-1510	PC	1
	CN412	J4423231600X	CONNECTOR	PC	1
	CN413	J4423231100X	CONNECTOR	PC	1
	CN414	J4422112740X	FPC PLUG 27P 1.25	PC	1
	CN415	J4423231600X	CONNECTOR	PC	1
	CN416	J4420030640X	CNT PLUG 2.0 6P ST	PC	1
	CN417	J4420040300X	CNT PLUG 2.5 3P	PC	1
	CP404	J4305100067X	CNT ASSY12P 390MM	PC	1
	CP405	J4305100068X	CNT ASSY 10P 390+5	PC	1
	CP406	J4305100069X	CNT ASSY 10P 390+5	PC	1
	C421	13076940AM	CE 470U0F +20% 63.	PC	1
	C422	13076940AM	CE 470U0F +20% 63.	PC	1
	C423	13076940AM	CE 470U0F +20% 63.	PC	1
	C424	13076940AM	CE 470U0F +20% 63.	PC	1
	C481	J34204103661	CE 10000UF 63V	PC	1
	C481	J3420468266X	CE 6800UF 63V	PC	1
	C481	J3420482266X	CAPE82 00UF63V	PC	1
	C482	J34204103661	CE 10000UF 63V	PC	1
	C482	J3420468266X	CE 6800UF 63V	PC	1
	C482	J3420482266X	CAPE82 00UF63V	PC	1
	C485	J3470122261X	CE 2200UP 35V	PC	1
	C486	J3470122261X	CE 2200UP 35V	PC	1
	C487	J3420668236X	CE SHL 6800U 16V M	PC	1
	C488	J3470122231X	CE 2200UF 16V	PC	1
	C511	13076940AM	CE 470U0F +20% 63.	PC	1
	C512	13076940AM	CE 470U0F +20% 63.	PC	1
	D481	J2202306007X	DIODE BU8-04F	PC	1
	D481	J2202376107X	DIODE BU10-04	PC	1
	D482	J2203336007X	DIODE W2-04F	PC	1
	D568	J2221244000X	DIODE RECT 1N5402S	PC	1
	D569	J2221244000X	DIODE RECT 1N5402S	PC	1
	D570	J2221244000X	DIODE RECT 1N5402S	PC	1
	D571	J2221244000X	DIODE RECT 1N5402S	PC	1
	FU481	J5502220320X	FUSE 2A/125V	PC	1
	FU481	J5503320330X	FUSE T 250V/2.0A	PC	1
	FU482	J5502220320X	FUSE 2A/125V	PC	1
	FU482	J5503320330X	FUSE T 250V/2.0A	PC	1
	FU483	J5502220320X	FUSE 2A/125V	PC	1
	FU483	J5503320330X	FUSE T 250V/2.0A	PC	1

FU484	J5502220320X	FUSE 2A/125V	PC	1
FU484	J5503320330X	FUSE T 250V/2.0A	PC	1
G011	J4200020000X	GND PLATE	PC	1
IC481	J2112505021X	IC 7815PI TO-220IS	PC	1
IC482	J2112505018X	IC KIA7915PI TO220	PC	1
IC483	J2112504001X	IC BA033T	PC	1
IC484	J2112505019X	IC KIA7805PI TO220	PC	1
IC485	J2112505019X	IC KIA7805PI TO220	PC	1
IC486	J2112505014X	IC KIA7905PI	PC	1
IC487	J2112503001X	IC REG ADJ KA33 TO	PC	1
IC501	J2110212000X	IC OPAMP 2068DD	PC	1
JK401	J44301000300	JACK RCA 1P BK GND	PC	1
JK401	J44301001100	JACK RCA 1P BROWN	PC	1
JK402	J44302000900	JACK RCA 2P BB W/G	PC	1
JK402	J44302401201	JACK RCA 4P S	PC	1
JK403	J44303000500	JACK RCA 3P BBB W/	PC	1
JK403	J44306000101	JACK RCA 6P GND W/	PC	1
JK404	J44302401201	JACK RCA 4P S	PC	1
JK405	J44302401201	JACK RCA 4P S	PC	1
JK405	J44306000101	JACK RCA 6P GND W/	PC	1
JP401	J44001600000	TERMINAL SCREW 6P	PC	1
C2 L401	J1451000030X	COIL-AF CHOKE .7UH	PC	1
C2 L402	J1451000030X	COIL-AF CHOKE .7UH	PC	1
C2 L501	J1451000030X	COIL-AF CHOKE .7UH	PC	1
P551	J2431100002X	POSISTOR PTC	PC	1
Q425	J2021520302X	TR NPN 2SC4883A	PC	1
Q426	J2021520302X	TR NPN 2SC4883A	PC	1
Q433	J2021500102X	TR PNP 2SA1859A	PC	1
Q434	J2021500102X	TR PNP 2SA1859A	PC	1
Q435	J2021520302X	TR NPN 2SC4883A	PC	1
Q436	J2021520302X	TR NPN 2SC4883A	PC	1
Q437	J2002520103X	TR NPN 2SC5358-R	PC	1
Q437	J2002520203X	TR NPN 2SC5198-R(1	PC	1
Q438	J2002520103X	TR NPN 2SC5358-R	PC	1
Q438	J2002520203X	TR NPN 2SC5198-R(1	PC	1
Q439	J2002500103X	TR PNP 2SA1986-R	PC	1
Q439	J2002500203X	TR PNP 2SA1941-R(1	PC	1
Q440	J2002500103X	TR PNP 2SA1986-R	PC	1
Q440	J2002500203X	TR PNP 2SA1941-R(1	PC	1
Q513	J2021520302X	TR NPN 2SC4883A	PC	1
Q517	J2021500102X	TR PNP 2SA1859A	PC	1
Q518	J2021520302X	TR NPN 2SC4883A	PC	1
Q519	J2002520103X	TR NPN 2SC5358-R	PC	1
Q519	J2002520203X	TR NPN 2SC5198-R(1	PC	1
Q520	J2002500103X	TR PNP 2SA1986-R	PC	1
Q520	J2002500203X	TR PNP 2SA1941-R(1	PC	1
R471	J3076228421X	RES MPR 0.22 5W J	PC	1
R472	J3076228421X	RES MPR 0.22 5W J	PC	1
R475	J3010100620X	RES OXIDE 10 1W J	PC	1
R476	J3010100620X	RES OXIDE 10 1W J	PC	1
R481	J3030100720X	RES 10 OHM 2W J	PC	1
R482	J3030100720X	RES 10 OHM 2W J	PC	1
R483	J3030100720X	RES 10 OHM 2W J	PC	1
R484	J3030479720X	RES 4R7 OHM 2W J	PC	1
R485	J3030479720X	RES 4R7 OHM 2W J	PC	1
R486	J3030479720X	RES 4R7 OHM 2W J	PC	1
R487	J3030339720X	RES OX 3R3 2W J	PC	1
R536	J3076228421X	RES MPR 0.22 5W J	PC	1

R538	J3010100620X	RES OXIDE 10 1W J	PC	1
VR401	J3211310210X	RES SEMI 1K	PC	1
VR402	J3211310210X	RES SEMI 1K	PC	1
VR501	J3211310210X	RES SEMI 1K	PC	1
WA401	J4420040200X	CNT ST 5267-02A	PC	1
WA402	J4420040200X	CNT ST 5267-02A	PC	1
WA403	J4420040200X	CNT ST 5267-02A	PC	1
W401	J4305100072X	CNT ASSY 1P 250MM	PC	1

PL DWG NO.: JE000100

**PL TITLE : AVR SER.MAIN BD APP**

ISSUE DATE: 05-22-00

ISSUED BY : KK HO

\* = CRITICAL ITEM

E	ITEM	DRAWING NO.	PART NAME/TEXT	UM	QTYFAC
	#005	JE00010002EA	AVR2000EU MNBD APP	PC	
	#006	JE00010003EA	AVR3000EU MNBD APP	PC	
	#007	JE00010004EA	AVR4000EU MNBD APP	PC	
	#008	JE00010005EA	AVR5000EU MNBD APP	PC	
	'020	J4022100170B	PCB MAIN 330*247	PC	1
	C111	2093665016	CC 100P0F +10% -10	PC	1
	C112	2093665016	CC 100P0F +10% -10	PC	1
	C113	2093665016	CC 100P0F +10% -10	PC	1
	C114	2093665016	CC 100P0F +10% -10	PC	1
	C115	2093665016	CC 100P0F +10% -10	PC	1
	C116	2093665016	CC 100P0F +10% -10	PC	1
	C401	2026888030	CE 10U0F +20% 50.0	PC	1
	C402	2026888030	CE 10U0F +20% 50.0	PC	1
	C403	1105530071	CC 68P0F +5% -5% 5	PC	1
	C404	1105530071	CC 68P0F +5% -5% 5	PC	1
	C405	2026907030	CE 100U0F +20% 25.	PC	1
	C406	2026907030	CE 100U0F +20% 25.	PC	1
	C407	2026908030	CE 220U0F +20% 10.	PC	1
	C408	2026908030	CE 220U0F +20% 10.	PC	1
	C409	3093607071	CC 12P0F +5% -5% 5	PC	1
	C410	3093607071	CC 12P0F +5% -5% 5	PC	1
	C411	6043915071	CC 33P0F +5% -5% 5	PC	1
	C412	6043915071	CC 33P0F +5% -5% 5	PC	1
	C413	2026888030	CE 10U0F +20% 50.0	PC	1
	C414	2026888030	CE 10U0F +20% 50.0	PC	1
	C415	2026888030	CE 10U0F +20% 50.0	PC	1
	C416	2026888030	CE 10U0F +20% 50.0	PC	1
	C417	J3640104320X	CP MET .1U 63V -K	PC	1
	C418	J3640104320X	CP MET .1U 63V -K	PC	1
	C419	J3640104320X	CP MET .1U 63V -K	PC	1
	C420	J3640104320X	CP MET .1U 63V -K	PC	1
	C425	1105556071	CC 3N3F +10% -10%	PC	1
	C426	1105556071	CC 3N3F +10% -10%	PC	1
	C431	J3600473330X	CP .047U 100V K	PC	1
	C432	J3600473330X	CP .047U 100V K	PC	1
	C433	J3600473330X	CP .047U 100V K	PC	1
	C434	2025004016	CC 220P0F +10% -10	PC	1
	C435	2025004016	CC 220P0F +10% -10	PC	1
	C436	2025004016	CC 220P0F +10% -10	PC	1
	C437	2025004016	CC 220P0F +10% -10	PC	1
	C439	2025004016	CC 220P0F +10% -10	PC	1
	C441	2025004016	CC 220P0F +10% -10	PC	1

C443	2025004016	CC 220P0F +10% -10	PC	1
C444	2025004016	CC 220P0F +10% -10	PC	1
C445	2024647071	CC 100N0F +80% -20	PC	1
C446	2024647071	CC 100N0F +80% -20	PC	1
C483	J3640104350X	CP MET .1U 250V -M	PC	1
C484	J3600473330X	CP .047U 100V K	PC	1
C489	2026888030	CE 10U0F +20% 50.0	PC	1
C490	2026888030	CE 10U0F +20% 50.0	PC	1
C492	2026888030	CE 10U0F +20% 50.0	PC	1
C494	2026888030	CE 10U0F +20% 50.0	PC	1
C496	2026888030	CE 10U0F +20% 50.0	PC	1
C497	2026888030	CE 10U0F +20% 50.0	PC	1
C498	2026888030	CE 10U0F +20% 50.0	PC	1
C501	2026888030	CE 10U0F +20% 50.0	PC	1
C502	1105530071	CC 68P0F +5% -5% 5	PC	1
C503	2026907030	CE 100U0F +20% 25.	PC	1
C504	2026908030	CE 220U0F +20% 10.	PC	1
C505	3093607071	CC 12P0F +5% -5% 5	PC	1
C506	6043915071	CC 33P0F +5% -5% 5	PC	1
C507	2026888030	CE 10U0F +20% 50.0	PC	1
C508	2026888030	CE 10U0F +20% 50.0	PC	1
C509	J3640104320X	CP MET .1U 63V -K	PC	1
C510	J3640104320X	CP MET .1U 63V -K	PC	1
C513	1105556071	CC 3N3F +10% -10%	PC	1
C551	J3640683220X	CMP 0.068U 63V J	PC	1
C552	J3640683220X	CMP 0.068U 63V J	PC	1
C553	J3640683220X	CMP 0.068U 63V J	PC	1
C554	J3470147121X	CE SG 470U 10V M	PC	1
C555	7042852071	CC 10N0F +10% -10%	PC	1
C556	7042852071	CC 10N0F +10% -10%	PC	1
C558	2029347016	CC 100N0F +80% -20	PC	1
C563	2029347016	CC 100N0F +80% -20	PC	1
C564	J3640104350X	CP MET .1U 250V -M	PC	1
C565	J3640104350X	CP MET .1U 250V -M	PC	1
C566	J3600473330X	CP .047U 100V K	PC	1
C567	J3600473330X	CP .047U 100V K	PC	1
C568	1500213030	CE 10U0F +20% 16.0	PC	1
C569	4043358071	CC 680P0F +10% -10	PC	1
C570	4043358071	CC 680P0F +10% -10	PC	1
C571	4043358071	CC 680P0F +10% -10	PC	1
C576	2093665016	CC 100P0F +10% -10	PC	1
C577	2093665016	CC 100P0F +10% -10	PC	1
C582	2026783030	CE 47U0F +20% 16.0	PC	1
C583	2026783030	CE 47U0F +20% 16.0	PC	1
C588	1500213030	CE 10U0F +20% 16.0	PC	1
C589	1500213030	CE 10U0F +20% 16.0	PC	1
D401	7043654016	D-SLP 1N4148 100.0	PC	1
D402	7043654016	D-SLP 1N4148 100.0	PC	1
D403	7043654016	D-SLP 1N4148 100.0	PC	1
D404	7043654016	D-SLP 1N4148 100.0	PC	1
D405	7043654016	D-SLP 1N4148 100.0	PC	1
D406	7043654016	D-SLP 1N4148 100.0	PC	1
D501	7043654016	D-SLP 1N4148 100.0	PC	1
D502	7043654016	D-SLP 1N4148 100.0	PC	1
D551	7043654016	D-SLP 1N4148 100.0	PC	1
D552	7043654016	D-SLP 1N4148 100.0	PC	1
D553	7043654016	D-SLP 1N4148 100.0	PC	1
D554	7043654016	D-SLP 1N4148 100.0	PC	1

D555		7043654016 D-SLP 1N4148 100.0	PC	1
D556		7043654016 D-SLP 1N4148 100.0	PC	1
D566		7043654016 D-SLP 1N4148 100.0	PC	1
D567		7043654016 D-SLP 1N4148 100.0	PC	1
FH401	J4210020001X	FUSE CLIP 0.3T	PC	1
FH402	J4210020001X	FUSE CLIP 0.3T	PC	1
FH403	J4210020001X	FUSE CLIP 0.3T	PC	1
FH404	J4210020001X	FUSE CLIP 0.3T	PC	1
FH405	J4210020001X	FUSE CLIP 0.3T	PC	1
FH406	J4210020001X	FUSE CLIP 0.3T	PC	1
FH407	J4210020001X	FUSE CLIP 0.3T	PC	1
FH408	J4210020001X	FUSE CLIP 0.3T	PC	1
Q401	J2021020701X	TR NPN KTC3200 BL	PC	1
Q402	J2021020701X	TR NPN KTC3200 BL	PC	1
Q403	J2021020701X	TR NPN KTC3200 BL	PC	1
Q404	J2021020701X	TR NPN KTC3200 BL	PC	1
Q405	J2021020701X	TR NPN KTC3200 BL	PC	1
Q406	J2021020701X	TR NPN KTC3200 BL	PC	1
Q407	J2021020201X	TR NPN KTC3198 BL	PC	1
Q408	J2021020201X	TR NPN KTC3198 BL	PC	1
Q411	J2021005101X	TR PNP KTA1268 BL	PC	1
Q412	J2021005101X	TR PNP KTA1268 BL	PC	1
Q413	J2021005101X	TR PNP KTA1268 BL	PC	1
Q414	J2021005101X	TR PNP KTA1268 BL	PC	1
Q415	J2021020701X	TR NPN KTC3200 BL	PC	1
Q416	J2021020701X	TR NPN KTC3200 BL	PC	1
Q417	J2021000101X	TR PNP KTA1024	PC	1
Q418	J2021000101X	TR PNP KTA1024	PC	1
Q419	J2021020501X	TR NPN KTC3206	PC	1
Q420	J2021020501X	TR NPN KTC3206	PC	1
Q421	J2021000101X	TR PNP KTA1024	PC	1
Q422	J2021000101X	TR PNP KTA1024	PC	1
Q423	J2021020501X	TR NPN KTC3206	PC	1
Q424	J2021020501X	TR NPN KTC3206	PC	1
Q427	J2021020701X	TR NPN KTC3200 BL	PC	1
Q428	J2021020701X	TR NPN KTC3200 BL	PC	1
Q429	J2021020501X	TR NPN KTC3206	PC	1
Q430	J2021020501X	TR NPN KTC3206	PC	1
Q431	J2021000101X	TR PNP KTA1024	PC	1
Q432	J2021000101X	TR PNP KTA1024	PC	1
Q501	J2021020701X	TR NPN KTC3200 BL	PC	1
Q502	J2021020701X	TR NPN KTC3200 BL	PC	1
Q503	J2021020701X	TR NPN KTC3200 BL	PC	1
Q504	J2021020201X	TR NPN KTC3198 BL	PC	1
Q506	J2021005101X	TR PNP KTA1268 BL	PC	1
Q507	J2021005101X	TR PNP KTA1268 BL	PC	1
Q508	J2021020701X	TR NPN KTC3200 BL	PC	1
Q509	J2021000101X	TR PNP KTA1024	PC	1
Q510	J2021020501X	TR NPN KTC3206	PC	1
Q511	J2021000101X	TR PNP KTA1024	PC	1
Q512	J2021020501X	TR NPN KTC3206	PC	1
Q514	J2021020701X	TR NPN KTC3200 BL	PC	1
Q515	J2021020501X	TR NPN KTC3206	PC	1
Q516	J2021000101X	TR PNP KTA1024	PC	1
Q551	J2021020701X	TR NPN KTC3200 BL	PC	1
Q552	J2021020701X	TR NPN KTC3200 BL	PC	1
Q553	J2021020701X	TR NPN KTC3200 BL	PC	1
Q554	J2021020201X	TR NPN KTC3198 BL	PC	1



Q555	J2021020201X	TR NPN KTC3198 BL	PC	1
Q556	J2021020201X	TR NPN KTC3198 BL	PC	1
Q557	J2021000201X	TR PNP KTA1266 Y	PC	1
Q558	J2021000101X	TR PNP KTA1024	PC	1
Q559	J2021220001X	TR NPN KRC107M	PC	1
Q559	J2021220102X	TR NPN DTC114YSA	PC	1
Q561	J2021005101X	TR PNP KTA1268 BL	PC	1
R121	5088297016	RCF 470R0 OHM +5%	PC	1
R122	5088297016	RCF 470R0 OHM +5%	PC	1
R123	3093951016	RCF 100K0 OHM +5%	PC	1
R124	3093951016	RCF 100K0 OHM +5%	PC	1
R125	5088297016	RCF 470R0 OHM +5%	PC	1
R126	5088297016	RCF 470R0 OHM +5%	PC	1
R127	3093951016	RCF 100K0 OHM +5%	PC	1
R128	3093951016	RCF 100K0 OHM +5%	PC	1
R129	5088297016	RCF 470R0 OHM +5%	PC	1
R130	2046946016	RCF 2K2 OHM +5% 25	PC	1
R131	3093951016	RCF 100K0 OHM +5%	PC	1
R132	3093951016	RCF 100K0 OHM +5%	PC	1
R401	6044155016	RCF 330R0 OHM +5%	PC	1
R402	6044155016	RCF 330R0 OHM +5%	PC	1
R403	3093949016	RCF 33K0 OHM +5% 2	PC	1
R403	8043703016	RCF 27K0 OHM +5% 2	PC	1
R403	9057113016	RCF 39K0 OHM +5% 2	PC	1
R404	3093949016	RCF 33K0 OHM +5% 2	PC	1
R404	8043703016	RCF 27K0 OHM +5% 2	PC	1
R404	9057113016	RCF 39K0 OHM +5% 2	PC	1
R405	4043563016	RCF 1K5 OHM +5% 25	PC	1
R406	4043563016	RCF 1K5 OHM +5% 25	PC	1
R407	4043563016	RCF 1K5 OHM +5% 25	PC	1
R408	4043563016	RCF 1K5 OHM +5% 25	PC	1
R409	2046945016	RCF 220R0 OHM +5%	PC	1
R410	2046945016	RCF 220R0 OHM +5%	PC	1
R411	2046945016	RCF 220R0 OHM +5%	PC	1
R412	2046945016	RCF 220R0 OHM +5%	PC	1
R413	1105961016	RCF 270R0 OHM +5%	PC	1
R414	1105961016	RCF 270R0 OHM +5%	PC	1
R415	2046951016	RCF 43K0 OHM +5% 2	PC	1
R416	2046951016	RCF 43K0 OHM +5% 2	PC	1
R417	3093949016	RCF 33K0 OHM +5% 2	PC	1
R417	8043703016	RCF 27K0 OHM +5% 2	PC	1
R417	9057113016	RCF 39K0 OHM +5% 2	PC	1
R418	3093949016	RCF 33K0 OHM +5% 2	PC	1
R418	8043703016	RCF 27K0 OHM +5% 2	PC	1
R418	9057113016	RCF 39K0 OHM +5% 2	PC	1
R419	1105966016	RCF 2K0 OHM +5% 25	PC	1
R419	8043701016	RCF 1K8 OHM +5% 25	PC	1
R420	1105966016	RCF 2K0 OHM +5% 25	PC	1
R420	8043701016	RCF 1K8 OHM +5% 25	PC	1
R421	6044156016	RCF 560R0 OHM +5%	PC	1
R422	6044156016	RCF 560R0 OHM +5%	PC	1
R423	6044156016	RCF 560R0 OHM +5%	PC	1
R424	6044156016	RCF 560R0 OHM +5%	PC	1
R425	6044156016	RCF 560R0 OHM +5%	PC	1
R426	6044156016	RCF 560R0 OHM +5%	PC	1
R427	6044156016	RCF 560R0 OHM +5%	PC	1
R428	6044156016	RCF 560R0 OHM +5%	PC	1
R429	6044156016	RCF 560R0 OHM +5%	PC	1

R430	6044156016 RCF 560R0 OHM +5%	PC	1
R431	6044156016 RCF 560R0 OHM +5%	PC	1
R432	6044156016 RCF 560R0 OHM +5%	PC	1
R433	5088296016 RCF 150R0 OHM +5%	PC	1
R434	5088296016 RCF 150R0 OHM +5%	PC	1
R435	5088296016 RCF 150R0 OHM +5%	PC	1
R436	5088296016 RCF 150R0 OHM +5%	PC	1
R437	5088301016 RCF 15K0 OHM +5% 2	PC	1
R438	5088301016 RCF 15K0 OHM +5% 2	PC	1
R439	5088301016 RCF 15K0 OHM +5% 2	PC	1
R440	5088301016 RCF 15K0 OHM +5% 2	PC	1
R441	5088296016 RCF 150R0 OHM +5%	PC	1
R442	5088296016 RCF 150R0 OHM +5%	PC	1
R443	5088296016 RCF 150R0 OHM +5%	PC	1
R444	5088296016 RCF 150R0 OHM +5%	PC	1
R445	3093936016 RCF 10R0 OHM +5% 2	PC	1
R446	3093936016 RCF 10R0 OHM +5% 2	PC	1
R447	3093936016 RCF 10R0 OHM +5% 2	PC	1
R448	3093936016 RCF 10R0 OHM +5% 2	PC	1
R449	1105964016 RCF 1K0 OHM +5% 25	PC	1
R450	1105964016 RCF 1K0 OHM +5% 25	PC	1
R451	6044156016 RCF 560R0 OHM +5%	PC	1
R452	6044156016 RCF 560R0 OHM +5%	PC	1
R453	4043564016 RCF 4K7 OHM +5% 25	PC	1
R454	4043564016 RCF 4K7 OHM +5% 25	PC	1
R455	7043056016 RCF 5K6 OHM +5% 25	PC	1
R456	7043056016 RCF 5K6 OHM +5% 25	PC	1
R457	5088295016 RCF 100R0 OHM +5%	PC	1
R458	5088295016 RCF 100R0 OHM +5%	PC	1
R459	5088295016 RCF 100R0 OHM +5%	PC	1
R460	5088295016 RCF 100R0 OHM +5%	PC	1
R461	3093937016 RCF 15R0 OHM +5% 2	PC	1
R462	3093937016 RCF 15R0 OHM +5% 2	PC	1
R463	3093937016 RCF 15R0 OHM +5% 2	PC	1
R464	3093937016 RCF 15R0 OHM +5% 2	PC	1
R465	4043891016 RCF 2R2 OHM +5% 25	PC	1
R466	4043891016 RCF 2R2 OHM +5% 25	PC	1
R467	4043891016 RCF 2R2 OHM +5% 25	PC	1
R468	4043891016 RCF 2R2 OHM +5% 25	PC	1
R469	1105959016 RCF 82R0 OHM +5% 2	PC	1
R470	1105959016 RCF 82R0 OHM +5% 2	PC	1
R473	3093936016 RCF 10R0 OHM +5% 2	PC	1
R474	3093936016 RCF 10R0 OHM +5% 2	PC	1
R477	3093936016 RCF 10R0 OHM +5% 2	PC	1
R478	3093936016 RCF 10R0 OHM +5% 2	PC	1
R489	2046945016 RCF 220R0 OHM +5%	PC	1
R490	1105963016 RCF 680R0 OHM +5%	PC	1
R501	6044155016 RCF 330R0 OHM +5%	PC	1
R502	3093949016 RCF 33K0 OHM +5% 2	PC	1
R502	8043703016 RCF 27K0 OHM +5% 2	PC	1
R502	9057113016 RCF 39K0 OHM +5% 2	PC	1
R503	4043563016 RCF 1K5 OHM +5% 25	PC	1
R504	4043563016 RCF 1K5 OHM +5% 25	PC	1
R505	2046945016 RCF 220R0 OHM +5%	PC	1
R506	2046945016 RCF 220R0 OHM +5%	PC	1
R507	1105961016 RCF 270R0 OHM +5%	PC	1
R508	2046951016 RCF 43K0 OHM +5% 2	PC	1
R509	3093949016 RCF 33K0 OHM +5% 2	PC	1

R509	8043703016 RCF 27K0 OHM +5% 2	PC	1
R509	9057113016 RCF 39K0 OHM +5% 2	PC	1
R510	1105966016 RCF 2K0 OHM +5% 25	PC	1
R510	8043701016 RCF 1K8 OHM +5% 25	PC	1
R511	6044156016 RCF 560R0 OHM +5%	PC	1
R512	6044156016 RCF 560R0 OHM +5%	PC	1
R513	6044156016 RCF 560R0 OHM +5%	PC	1
R514	6044156016 RCF 560R0 OHM +5%	PC	1
R515	6044156016 RCF 560R0 OHM +5%	PC	1
R516	6044156016 RCF 560R0 OHM +5%	PC	1
R517	5088296016 RCF 150R0 OHM +5%	PC	1
R518	5088296016 RCF 150R0 OHM +5%	PC	1
R519	5088301016 RCF 15K0 OHM +5% 2	PC	1
R520	5088301016 RCF 15K0 OHM +5% 2	PC	1
R521	5088296016 RCF 150R0 OHM +5%	PC	1
R522	5088296016 RCF 150R0 OHM +5%	PC	1
R523	3093936016 RCF 10R0 OHM +5% 2	PC	1
R524	3093936016 RCF 10R0 OHM +5% 2	PC	1
R525	1105964016 RCF 1K0 OHM +5% 25	PC	1
R526	6044156016 RCF 560R0 OHM +5%	PC	1
R527	4043564016 RCF 4K7 OHM +5% 25	PC	1
R528	7043056016 RCF 5K6 OHM +5% 25	PC	1
R529	5088295016 RCF 100R0 OHM +5%	PC	1
R530	5088295016 RCF 100R0 OHM +5%	PC	1
R531	3093937016 RCF 15R0 OHM +5% 2	PC	1
R532	3093937016 RCF 15R0 OHM +5% 2	PC	1
R533	4043891016 RCF 2R2 OHM +5% 25	PC	1
R534	4043891016 RCF 2R2 OHM +5% 25	PC	1
R535	1105959016 RCF 82R0 OHM +5% 2	PC	1
R537	3093936016 RCF 10R0 OHM +5% 2	PC	1
R539	3093936016 RCF 10R0 OHM +5% 2	PC	1
R551	4043563016 RCF 1K5 OHM +5% 25	PC	1
R552	4043563016 RCF 1K5 OHM +5% 25	PC	1
R553	5088301016 RCF 15K0 OHM +5% 2	PC	1
R554	5088301016 RCF 15K0 OHM +5% 2	PC	1
R555	6044158016 RCF 22K0 OHM +5% 2	PC	1
R556	6044158016 RCF 22K0 OHM +5% 2	PC	1
R557	4043563016 RCF 1K5 OHM +5% 25	PC	1
R558	5088301016 RCF 15K0 OHM +5% 2	PC	1
R559	6044158016 RCF 22K0 OHM +5% 2	PC	1
R561	7043057016 RCF 8K2 OHM +5% 25	PC	1
R562	1105971016 RCF 56K0 OHM +5% 2	PC	1
R563	1105971016 RCF 56K0 OHM +5% 2	PC	1
R564	1105971016 RCF 56K0 OHM +5% 2	PC	1
R565	9057112016 RCF 12K0 OHM +5% 2	PC	1
R566	5088295016 RCF 100R0 OHM +5%	PC	1
R567	3093948016 RCF 10K0 OHM +5% 2	PC	1
R568	3093948016 RCF 10K0 OHM +5% 2	PC	1
R569	3093948016 RCF 10K0 OHM +5% 2	PC	1
R570	1105961016 RCF 270R0 OHM +5%	PC	1
R571	8043703016 RCF 27K0 OHM +5% 2	PC	1
R585	4043563016 RCF 1K5 OHM +5% 25	PC	1
R586	4043563016 RCF 1K5 OHM +5% 25	PC	1
R587	9057113016 RCF 39K0 OHM +5% 2	PC	1
R588	9057113016 RCF 39K0 OHM +5% 2	PC	1
R589	4043563016 RCF 1K5 OHM +5% 25	PC	1
R590	9057113016 RCF 39K0 OHM +5% 2	PC	1
R591	3093948016 RCF 10K0 OHM +5% 2	PC	1

R592	9057113016 RCF 39K0 OHM +5% 2	PC	1
R593	5088297016 RCF 470R0 OHM +5%	PC	1
R594	5088297016 RCF 470R0 OHM +5%	PC	1
R595	5088297016 RCF 470R0 OHM +5%	PC	1
R596	5088295016 RCF 100R0 OHM +5%	PC	1
R597	5088295016 RCF 100R0 OHM +5%	PC	1
R606	3093951016 RCF 100K0 OHM +5%	PC	1
R607	3093951016 RCF 100K0 OHM +5%	PC	1
R608	1105964016 RCF 1K0 OHM +5% 25	PC	1
R609	9057112016 RCF 12K0 OHM +5% 2	PC	1
R610	1105964016 RCF 1K0 OHM +5% 25	PC	1
R611	9057112016 RCF 12K0 OHM +5% 2	PC	1

PL DWG NO.: JE000101

**PL TITLE : AVR SER.SURROUND BD ASM**

ISSUE DATE: 05-22-00

ISSUED BY : KK HO

\* = CRITICAL ITEM

E	ITEM	DRAWING NO.	PART NAME/TEXT	UM	QTYFAC
	#005	JE00010102EA	AVR2000EU SURBD AS	PC	
	#006	JE00010103EA	AVR3000EU SURBD AS	PC	
	#007	JE00010104EA	AVR4000EU SURBD AS	PC	
	#008	JE00010105EA	AVR5000EU SURBD AS	PC	
	'050	J60530006000	HEAT SINK 16X7.5X3	PC	1
	'055	J5636140010X	SCREW	PC	1
	'060	J90400038000	LABEL FUSE SB5A/12	PC	1
	AC981	J1561000006X	AC OUTLET CE	PC	1
	AC981	J44900000110	AC OUTLET A204D004	PC	1
	AC981	J44901000100	AC OUTLET A304D007	PC	1
	BKT1	J60300028000	BKT GROUND ET 0.5T	PC	1
	BKT2	J60300028000	BKT GROUND ET 0.5T	PC	1
	CA81	J3926100000X	X-C .1U PCX2 335M	PC	1
	CN606	J4305100066X	CNT ASSY 3P 900MM	PC	1
	CP390	J4420030440X	CNT PLUG 4P 2.0MM	PC	1
	C378	2026907030	CE 100U0F +20% 25.	PC	1
	C621	13073530AM	CE 470U0F +20% 50.	PC	1
	C621	13076940AM	CE 470U0F +20% 63.	PC	1
	C622	13073530AM	CE 470U0F +20% 50.	PC	1
	C622	13076940AM	CE 470U0F +20% 63.	PC	1
	C623	13073530AM	CE 470U0F +20% 50.	PC	1
	C623	13076940AM	CE 470U0F +20% 63.	PC	1
	C624	13073530AM	CE 470U0F +20% 50.	PC	1
	C624	13076940AM	CE 470U0F +20% 63.	PC	1
	C691	J3420447256X	CE DL 4700U 50V	PC	1
	C691	J3420468256X	CE 6800UF 50V	PC	1
	C691	J3420468266X	CE 6800UF 63V	PC	1
	C692	J3420447256X	CE DL 4700U 50V	PC	1
	C692	J3420468256X	CE 6800UF 50V	PC	1
	C692	J3420468266X	CE 6800UF 63V	PC	1
	C982	J3531472412X	CAP AC250V 472-M	PC	1
	C984	13073530AM	CE 470U0F +20% 50.	PC	1
	C989	13073530AM	CE 470U0F +20% 50.	PC	1
	C990	13073530AM	CE 470U0F +20% 50.	PC	1
	D691	J2202306007X	DIODE BU8-04F	PC	1
	D691	J2202366007X	DIODE BU6-04F	PC	1
	D981	2041506016	D-SR 1N4004 400.0V	PC	1
	D982	2041506016	D-SR 1N4004 400.0V	PC	1
	D983	2041506016	D-SR 1N4004 400.0V	PC	1
	D984	2041506016	D-SR 1N4004 400.0V	PC	1
	D985	2041506016	D-SR 1N4004 400.0V	PC	1
	D986	2041506016	D-SR 1N4004 400.0V	PC	1
	D989	2041506016	D-SR 1N4004 400.0V	PC	1
	D990	2041506016	D-SR 1N4004 400.0V	PC	1
	FU981	J5502250320X	FUSE SB 5A/125V	PC	1
	FU981	J5502263320X	FUSE SB 6.3A/125V	PC	1
	FU981	J5502270320X	FUSE SB 7A/125V	PC	1
	FU981	J5503331330X	FUSE 250V 3.15A	PC	1
	FU981	J5503340330X	FUSET 4A/250V	PC	1
	FU981	J5503350330X	FUSE 5A/250V	PC	1
C2	H012	J4305100026X	LUG WIRE 1P 200MM	PC	1

C2	H020	J4305100026X	LUG WIRE 1P 200MM	PC	1
	IC390	J2116004001X	IC BA7660FS 3-CH	PC	1
	IC391	J2116004003X	IC BA7603F VIDEO	PC	1
	IC981	J2112505000X	IC KIA7805P TO-220	PC	1
	JA290	J44309000000	JACK RCA 9P GNDCAP	PC	1
	JK601	J44001400000	TERMINAL SCREW 4P	PC	1
C2	L601	J1451000030X	COIL-AF CHOKE .7UH	PC	1
C2	L602	J1451000030X	COIL-AF CHOKE .7UH	PC	1
	Q625	J2021520302X	TR NPN 2SC4883A	PC	1
	Q626	J2021520302X	TR NPN 2SC4883A	PC	1
	Q633	J2021500102X	TR PNP 2SA1859A	PC	1
	Q634	J2021500102X	TR PNP 2SA1859A	PC	1
	Q635	J2021520302X	TR NPN 2SC4883A	PC	1
	Q636	J2021520302X	TR NPN 2SC4883A	PC	1
	Q637	J2002520103X	TR NPN 2SC5358-R	PC	1
	Q637	J2002520203X	TR NPN 2SC5198-R(1	PC	1
	Q638	J2002520103X	TR NPN 2SC5358-R	PC	1
	Q638	J2002520203X	TR NPN 2SC5198-R(1	PC	1
	Q639	J2002500103X	TR PNP 2SA1986-R	PC	1
	Q639	J2002500203X	TR PNP 2SA1941-R(1	PC	1
	Q640	J2002500103X	TR PNP 2SA1986-R	PC	1
	Q640	J2002500203X	TR PNP 2SA1941-R(1	PC	1
	RL981	J5511300010X	RELAY 10A 12V	PC	1
	RL981	J5511300020X	RELAY SDT-S-112DMR	PC	1
	R671	J3076228421X	RES MPR 0.22 5W J	PC	1
	R672	J3076228421X	RES MPR 0.22 5W J	PC	1
	R675	J3010100620X	RES OXIDE 10 1W J	PC	1
	R676	J3010100620X	RES OXIDE 10 1W J	PC	1
	R995	J3091335033X	RES 3.3MOHM 1/2W	PC	1
	T981	J2812220012X	ST'BY TRANS AVR510	PC	1
	T981	J2812220031X	STBY TRANS AVR110	PC	1
	T981	J2812420032X	ST'BY TRANS AVR510	PC	1
	VR601	J3211310210X	RES SEMI 1K	PC	1
	VR602	J3211310210X	RES SEMI 1K	PC	1
	WA601	J4420040200X	CNT ST 5267-02A	PC	1
	WA602	J4420040200X	CNT ST 5267-02A	PC	1
	WA603	J4420050300X	CNT ST 35313-0310	PC	1
	WA625	J4420030440X	CNT PLUG 4P 2.0MM	PC	1
	WA981	J4420060260X	CONNECTOR	PC	1
	WA983	J4420060200X	CONNECTOR	PC	1
	WA985	J4420060200X	CONNECTOR	PC	1
	WA986	J4420040700X	CNT PLUG 2.5 7P	PC	1
C2	W301	J4305100073X	CNT ASSY 1P 80MM #	PC	1
C2	W302	J4305100073X	CNT ASSY 1P 80MM #	PC	1

PL DWG NO.: JE000102

**PL TITLE : AVR SER.SURROUND BD APP**

ISSUE DATE: 05-22-00

ISSUED BY : KK HO

\* = CRITICAL ITEM

E	ITEM	DRAWING NO.	PART NAME/TEXT	UM	QTYFAC
	#004	JE00010203EA	AVR3000EU SURBD AP	PC	
	#005	JE00010204EA	AVR4000EU SURBD AP	PC	
	#006	JE00010205EA	AVR5000EU SURBD AP	PC	
	'020	J4021100160A	PCB SURR 247*247	PC	1
	'020	J4021100170X	PCB SURR 247*247	PC	1
	C374	2024647071	CC 100N0F +80% -20	PC	1

C375	2026783030 CE 47U0F +20% 16.0	PC	1
C376	2026902030 CE 100U0F +20% 16.	PC	1
C377	2026889030 CE 22U0F +20% 25.0	PC	1
C379	2026889030 CE 22U0F +20% 25.0	PC	1
C380	2026902030 CE 100U0F +20% 16.	PC	1
C381	2026889030 CE 22U0F +20% 25.0	PC	1
C382	2024647071 CC 100N0F +80% -20	PC	1
C383	2026783030 CE 47U0F +20% 16.0	PC	1
C384	2026884030 CE 1U0F +20% 50.0V	PC	1
C387	2026884030 CE 1U0F +20% 50.0V	PC	1
C388	2026884030 CE 1U0F +20% 50.0V	PC	1
C389	2026884030 CE 1U0F +20% 50.0V	PC	1
C392	2026884030 CE 1U0F +20% 50.0V	PC	1
C395	2026884030 CE 1U0F +20% 50.0V	PC	1
C396	2093665016 CC 100P0F +10% -10	PC	1
C397	2093665016 CC 100P0F +10% -10	PC	1
C398	2093665016 CC 100P0F +10% -10	PC	1
C399	2029347016 CC 100N0F +80% -20	PC	1
C601	2026888030 CE 10U0F +20% 50.0	PC	1
C602	2026888030 CE 10U0F +20% 50.0	PC	1
C603	1105530071 CC 68P0F +5% -5% 5	PC	1
C604	1105530071 CC 68P0F +5% -5% 5	PC	1
C605	2026907030 CE 100U0F +20% 25.	PC	1
C606	2026907030 CE 100U0F +20% 25.	PC	1
C607	2026908030 CE 220U0F +20% 10.	PC	1
C608	2026908030 CE 220U0F +20% 10.	PC	1
C609	3093607071 CC 12P0F +5% -5% 5	PC	1
C610	3093607071 CC 12P0F +5% -5% 5	PC	1
C611	6043915071 CC 33P0F +5% -5% 5	PC	1
C612	6043915071 CC 33P0F +5% -5% 5	PC	1
C613	2026888030 CE 10U0F +20% 50.0	PC	1
C614	2026888030 CE 10U0F +20% 50.0	PC	1
C615	2026888030 CE 10U0F +20% 50.0	PC	1
C616	2026888030 CE 10U0F +20% 50.0	PC	1
C617	J3640104320X CP MET .1U 63V -K	PC	1
C618	J3640104320X CP MET .1U 63V -K	PC	1
C619	J3640104320X CP MET .1U 63V -K	PC	1
C620	J3640104320X CP MET .1U 63V -K	PC	1
C625	1105556071 CC 3N3F +10% -10%	PC	1
C626	1105556071 CC 3N3F +10% -10%	PC	1
C629	4043358071 CC 680P0F +10% -10	PC	1
C630	4043358071 CC 680P0F +10% -10	PC	1
C681	J3640683220X CMP 0.068U 63V J	PC	1
C682	J3640683220X CMP 0.068U 63V J	PC	1
C693	J3640104350X CP MET .1U 250V -M	PC	1
C694	J3640104350X CP MET .1U 250V -M	PC	1
C695	J3640104350X CP MET .1U 250V -M	PC	1
C696	1500213030 CE 10U0F +20% 16.0	PC	1
C971	2026884030 CE 1U0F +20% 50.0V	PC	1
C983	7042852071 CC 10N0F +10% -10%	PC	1
C985	2049503016 CC 100N0F +10% -10	PC	1
C986	2026884030 CE 1U0F +20% 50.0V	PC	1
C987	2026888030 CE 10U0F +20% 50.0	PC	1
C988	2049503016 CC 100N0F +10% -10	PC	1
C991	2026901030 CE 47U0F +20% 50.0	PC	1
C992	1303935030 CE 100U0F +20% 35.	PC	1
C993	2049503016 CC 100N0F +10% -10	PC	1
C994	2049503016 CC 100N0F +10% -10	PC	1

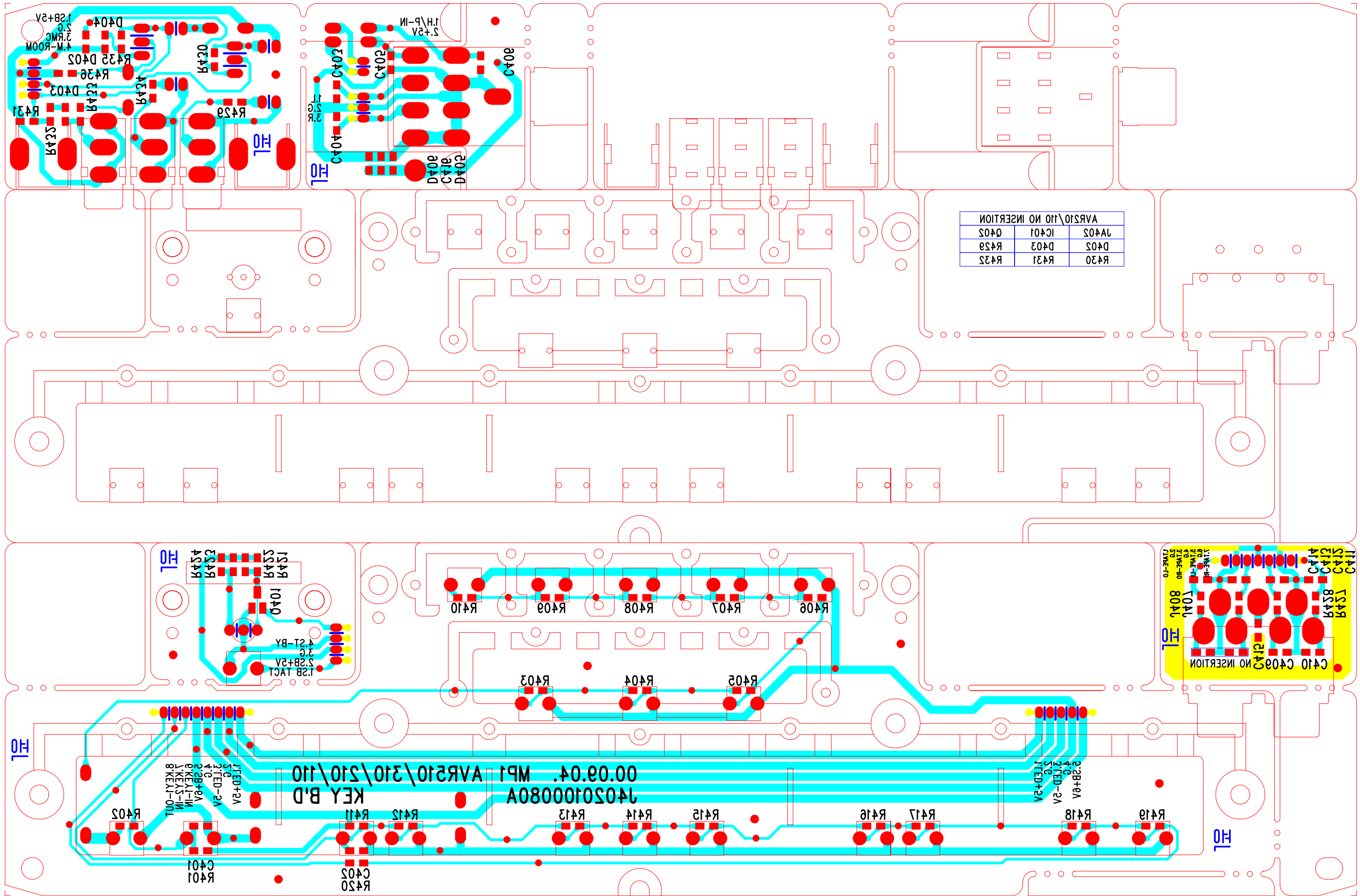
C995	2049503016	CC 100N0F +10% -10	PC	1
C997	7042852071	CC 10N0F +10% -10%	PC	1
C998	7042852071	CC 10N0F +10% -10%	PC	1
C999	7042852071	CC 10N0F +10% -10%	PC	1
D601	7043654016	D-SLP 1N4148 100.0	PC	1
D602	7043654016	D-SLP 1N4148 100.0	PC	1
D603	7043654016	D-SLP 1N4148 100.0	PC	1
D604	7043654016	D-SLP 1N4148 100.0	PC	1
D681	7043654016	D-SLP 1N4148 100.0	PC	1
D682	7043654016	D-SLP 1N4148 100.0	PC	1
D683	7043654016	D-SLP 1N4148 100.0	PC	1
D684	7043654016	D-SLP 1N4148 100.0	PC	1
D685	7043654016	D-SLP 1N4148 100.0	PC	1
D987	7043654016	D-SLP 1N4148 100.0	PC	1
D988	7043654016	D-SLP 1N4148 100.0	PC	1
D991	J2221430635X	D-ZENER .5W 30V J	PC	1
D992	7043654016	D-SLP 1N4148 100.0	PC	1
D994	J2221475535X	D-Z/AX 0.5W 7.5V U	PC	1
D996	J2221451535X	D-ZENER .5W 5V1 J	PC	1
FH981	J4210020001X	FUSE CLIP 0.3T	PC	1
FH982	J4210020001X	FUSE CLIP 0.3T	PC	1
Q601	J2021020701X	TR NPN KTC3200 BL	PC	1
Q602	J2021020701X	TR NPN KTC3200 BL	PC	1
Q603	J2021020701X	TR NPN KTC3200 BL	PC	1
Q604	J2021020701X	TR NPN KTC3200 BL	PC	1
Q605	J2021020701X	TR NPN KTC3200 BL	PC	1
Q606	J2021020701X	TR NPN KTC3200 BL	PC	1
Q607	J2021020201X	TR NPN KTC3198 BL	PC	1
Q608	J2021020201X	TR NPN KTC3198 BL	PC	1
Q611	J2021005101X	TR PNP KTA1268 BL	PC	1
Q612	J2021005101X	TR PNP KTA1268 BL	PC	1
Q613	J2021005101X	TR PNP KTA1268 BL	PC	1
Q614	J2021005101X	TR PNP KTA1268 BL	PC	1
Q615	J2021020701X	TR NPN KTC3200 BL	PC	1
Q616	J2021020701X	TR NPN KTC3200 BL	PC	1
Q617	J2021000101X	TR PNP KTA1024	PC	1
Q618	J2021000101X	TR PNP KTA1024	PC	1
Q619	J2021020501X	TR NPN KTC3206	PC	1
Q620	J2021020501X	TR NPN KTC3206	PC	1
Q621	J2021000101X	TR PNP KTA1024	PC	1
Q622	J2021000101X	TR PNP KTA1024	PC	1
Q623	J2021020501X	TR NPN KTC3206	PC	1
Q624	J2021020501X	TR NPN KTC3206	PC	1
Q627	J2021020701X	TR NPN KTC3200 BL	PC	1
Q628	J2021020701X	TR NPN KTC3200 BL	PC	1
Q629	J2021020501X	TR NPN KTC3206	PC	1
Q630	J2021020501X	TR NPN KTC3206	PC	1
Q631	J2021000101X	TR PNP KTA1024	PC	1
Q632	J2021000101X	TR PNP KTA1024	PC	1
Q681	J2021020701X	TR NPN KTC3200 BL	PC	1
Q682	J2021020701X	TR NPN KTC3200 BL	PC	1
Q683	J2021005101X	TR PNP KTA1268 BL	PC	1
Q981	J2021005101X	TR PNP KTA1268 BL	PC	1
Q982	J2021020801X	TR MPSA06 Y TO-92	PC	1
R385	7043052016	RCF 75R0 OHM +5% 2	PC	1
R386	7043052016	RCF 75R0 OHM +5% 2	PC	1
R387	7043052016	RCF 75R0 OHM +5% 2	PC	1
R389	7043052016	RCF 75R0 OHM +5% 2	PC	1



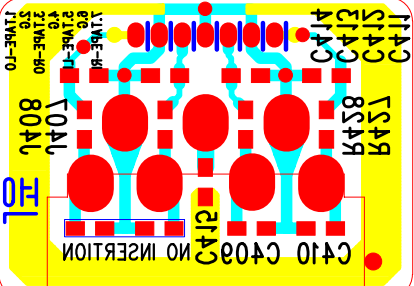
R391	7043052016 RCF 75R0 OHM +5% 2	PC	1
R392	7043052016 RCF 75R0 OHM +5% 2	PC	1
R393	7043052016 RCF 75R0 OHM +5% 2	PC	1
R394	7043052016 RCF 75R0 OHM +5% 2	PC	1
R396	7043052016 RCF 75R0 OHM +5% 2	PC	1
R397	3093948016 RCF 10K0 OHM +5% 2	PC	1
R398	3093948016 RCF 10K0 OHM +5% 2	PC	1
R399	3093948016 RCF 10K0 OHM +5% 2	PC	1
R601	6044155016 RCF 330R0 OHM +5%	PC	1
R602	6044155016 RCF 330R0 OHM +5%	PC	1
R603	3093949016 RCF 33K0 OHM +5% 2	PC	1
R603	8043703016 RCF 27K0 OHM +5% 2	PC	1
R603	9057113016 RCF 39K0 OHM +5% 2	PC	1
R604	3093949016 RCF 33K0 OHM +5% 2	PC	1
R604	8043703016 RCF 27K0 OHM +5% 2	PC	1
R604	9057113016 RCF 39K0 OHM +5% 2	PC	1
R605	4043563016 RCF 1K5 OHM +5% 25	PC	1
R606	4043563016 RCF 1K5 OHM +5% 25	PC	1
R607	4043563016 RCF 1K5 OHM +5% 25	PC	1
R608	4043563016 RCF 1K5 OHM +5% 25	PC	1
R609	2046945016 RCF 220R0 OHM +5%	PC	1
R610	2046945016 RCF 220R0 OHM +5%	PC	1
R611	2046945016 RCF 220R0 OHM +5%	PC	1
R612	2046945016 RCF 220R0 OHM +5%	PC	1
R613	1105961016 RCF 270R0 OHM +5%	PC	1
R614	1105961016 RCF 270R0 OHM +5%	PC	1
R615	2046951016 RCF 43K0 OHM +5% 2	PC	1
R616	2046951016 RCF 43K0 OHM +5% 2	PC	1
R617	3093949016 RCF 33K0 OHM +5% 2	PC	1
R617	8043703016 RCF 27K0 OHM +5% 2	PC	1
R617	9057113016 RCF 39K0 OHM +5% 2	PC	1
R618	3093949016 RCF 33K0 OHM +5% 2	PC	1
R618	8043703016 RCF 27K0 OHM +5% 2	PC	1
R618	9057113016 RCF 39K0 OHM +5% 2	PC	1
R619	1105966016 RCF 2K0 OHM +5% 25	PC	1
R619	8043701016 RCF 1K8 OHM +5% 25	PC	1
R620	1105966016 RCF 2K0 OHM +5% 25	PC	1
R620	8043701016 RCF 1K8 OHM +5% 25	PC	1
R621	6044156016 RCF 560R0 OHM +5%	PC	1
R622	6044156016 RCF 560R0 OHM +5%	PC	1
R623	6044156016 RCF 560R0 OHM +5%	PC	1
R624	6044156016 RCF 560R0 OHM +5%	PC	1
R625	6044156016 RCF 560R0 OHM +5%	PC	1
R626	6044156016 RCF 560R0 OHM +5%	PC	1
R627	6044156016 RCF 560R0 OHM +5%	PC	1
R628	6044156016 RCF 560R0 OHM +5%	PC	1
R629	6044156016 RCF 560R0 OHM +5%	PC	1
R630	6044156016 RCF 560R0 OHM +5%	PC	1
R631	6044156016 RCF 560R0 OHM +5%	PC	1
R632	6044156016 RCF 560R0 OHM +5%	PC	1
R633	5088296016 RCF 150R0 OHM +5%	PC	1
R634	5088296016 RCF 150R0 OHM +5%	PC	1
R635	5088296016 RCF 150R0 OHM +5%	PC	1
R636	5088296016 RCF 150R0 OHM +5%	PC	1
R637	5088301016 RCF 15K0 OHM +5% 2	PC	1
R638	5088301016 RCF 15K0 OHM +5% 2	PC	1
R639	5088301016 RCF 15K0 OHM +5% 2	PC	1
R640	5088301016 RCF 15K0 OHM +5% 2	PC	1

R641	5088296016 RCF 150R0 OHM +5%	PC	1
R642	5088296016 RCF 150R0 OHM +5%	PC	1
R643	5088296016 RCF 150R0 OHM +5%	PC	1
R644	5088296016 RCF 150R0 OHM +5%	PC	1
R645	3093936016 RCF 10R0 OHM +5% 2	PC	1
R646	3093936016 RCF 10R0 OHM +5% 2	PC	1
R647	3093936016 RCF 10R0 OHM +5% 2	PC	1
R648	3093936016 RCF 10R0 OHM +5% 2	PC	1
R649	1105964016 RCF 1K0 OHM +5% 25	PC	1
R650	1105964016 RCF 1K0 OHM +5% 25	PC	1
R651	6044156016 RCF 560R0 OHM +5%	PC	1
R652	6044156016 RCF 560R0 OHM +5%	PC	1
R653	4043564016 RCF 4K7 OHM +5% 25	PC	1
R654	4043564016 RCF 4K7 OHM +5% 25	PC	1
R655	7043056016 RCF 5K6 OHM +5% 25	PC	1
R656	7043056016 RCF 5K6 OHM +5% 25	PC	1
R657	5088295016 RCF 100R0 OHM +5%	PC	1
R658	5088295016 RCF 100R0 OHM +5%	PC	1
R659	5088295016 RCF 100R0 OHM +5%	PC	1
R660	5088295016 RCF 100R0 OHM +5%	PC	1
R661	3093937016 RCF 15R0 OHM +5% 2	PC	1
R662	3093937016 RCF 15R0 OHM +5% 2	PC	1
R663	3093937016 RCF 15R0 OHM +5% 2	PC	1
R664	3093937016 RCF 15R0 OHM +5% 2	PC	1
R665	4043891016 RCF 2R2 OHM +5% 25	PC	1
R666	4043891016 RCF 2R2 OHM +5% 25	PC	1
R667	4043891016 RCF 2R2 OHM +5% 25	PC	1
R668	4043891016 RCF 2R2 OHM +5% 25	PC	1
R669	1105959016 RCF 82R0 OHM +5% 2	PC	1
R670	1105959016 RCF 82R0 OHM +5% 2	PC	1
R673	3093936016 RCF 10R0 OHM +5% 2	PC	1
R674	3093936016 RCF 10R0 OHM +5% 2	PC	1
R677	3093936016 RCF 10R0 OHM +5% 2	PC	1
R678	3093936016 RCF 10R0 OHM +5% 2	PC	1
R679	5088297016 RCF 470R0 OHM +5%	PC	1
R680	5088297016 RCF 470R0 OHM +5%	PC	1
R681	4043563016 RCF 1K5 OHM +5% 25	PC	1
R682	4043563016 RCF 1K5 OHM +5% 25	PC	1
R683	5088301016 RCF 15K0 OHM +5% 2	PC	1
R684	5088301016 RCF 15K0 OHM +5% 2	PC	1
R685	6044158016 RCF 22K0 OHM +5% 2	PC	1
R686	6044158016 RCF 22K0 OHM +5% 2	PC	1
R687	4043563016 RCF 1K5 OHM +5% 25	PC	1
R688	4043563016 RCF 1K5 OHM +5% 25	PC	1
R689	9057113016 RCF 39K0 OHM +5% 2	PC	1
R690	9057113016 RCF 39K0 OHM +5% 2	PC	1
R691	3093948016 RCF 10K0 OHM +5% 2	PC	1
R692	9057113016 RCF 39K0 OHM +5% 2	PC	1
R971	3093948016 RCF 10K0 OHM +5% 2	PC	1
R972	3093951016 RCF 100K0 OHM +5%	PC	1
R981	2047253016 RCF 4R7 OHM +5% 25	PC	1
R982	2046946016 RCF 2K2 OHM +5% 25	PC	1
R983	1105964016 RCF 1K0 OHM +5% 25	PC	1
R984	1105967016 RCF 2K7 OHM +5% 25	PC	1
R985	3093938016 RCF 22R0 OHM +5% 2	PC	1
R986	2046946016 RCF 2K2 OHM +5% 25	PC	1
R987	6044156016 RCF 560R0 OHM +5%	PC	1
R988	1106757016 RCF 1R0 OHM +5% 25	PC	1

R989	1106757016 RCF 1R0 OHM +5% 25	PC	1
R993	7043056016 RCF 5K6 OHM +5% 25	PC	1



R430	R431	R432	R433
D402	D403	D404	D405
IC401	IC402	IC403	IC404
AVR510\110 NO INSERTION			



1405010080A  
00.02.04. MP1 AVR510 / 310 / 510 / 110  
KEY B.D.

AVR2000~50000 EU  
 SURR/ST-BY/  
 COMPONENT B'D  
 FTMS 00.07.15  
 J4021100170X

SURROUND  
 AMP B'D



QUALITY CHECK  
 1 2 3 4 5 6 7 8

YELLOW

OVER LOAD-DET.  
 DC-DET.  
 P-ON/OFF MUTE

COMPONENT B'D

QUALITY CHECK  
 1 2 3 4 5 6 7 8

PRIMARY  
 AVR2000/3000 : I 3.15A 250V  
 AVR4000 : I 4A 250V

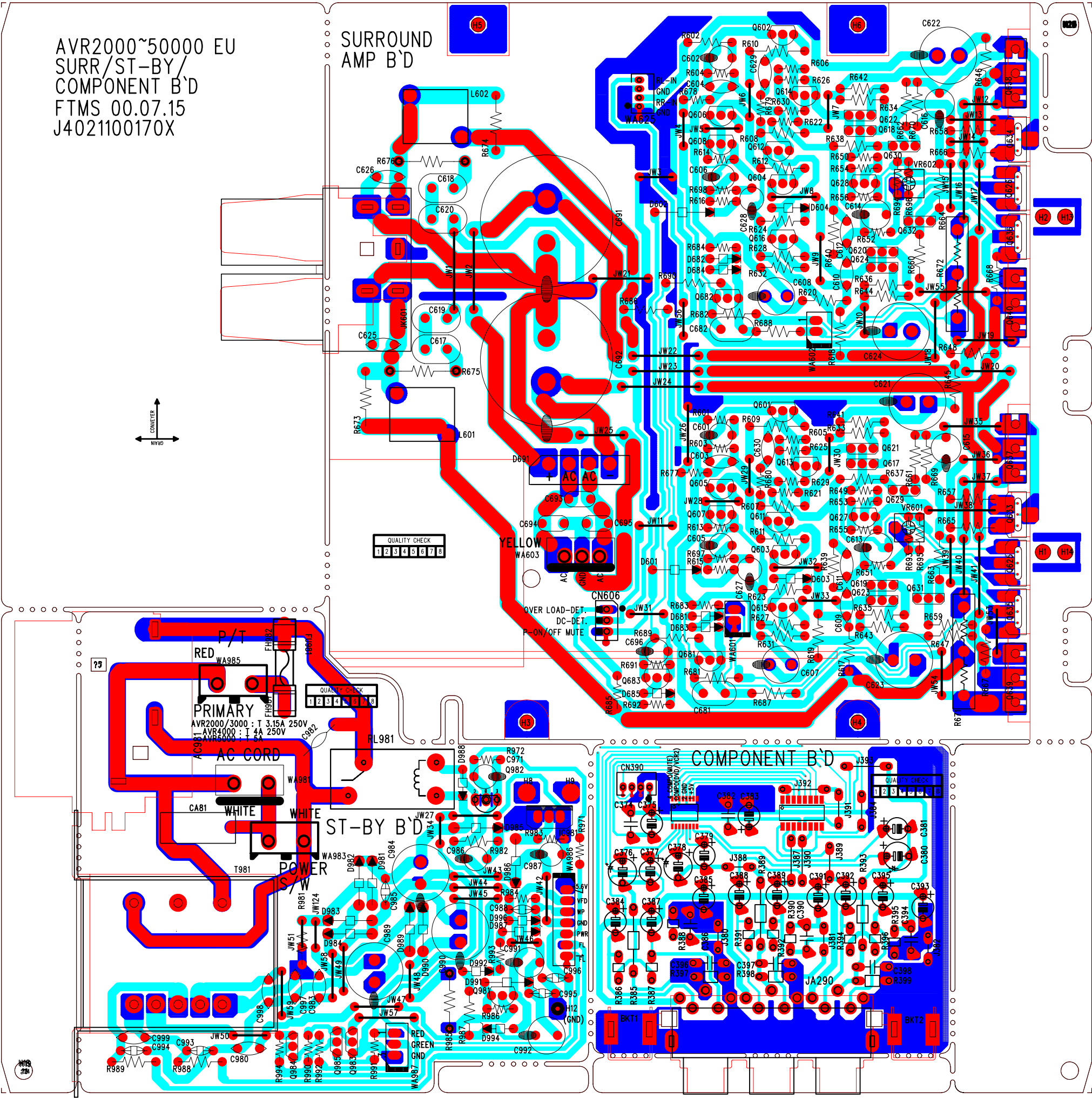
AC CORD

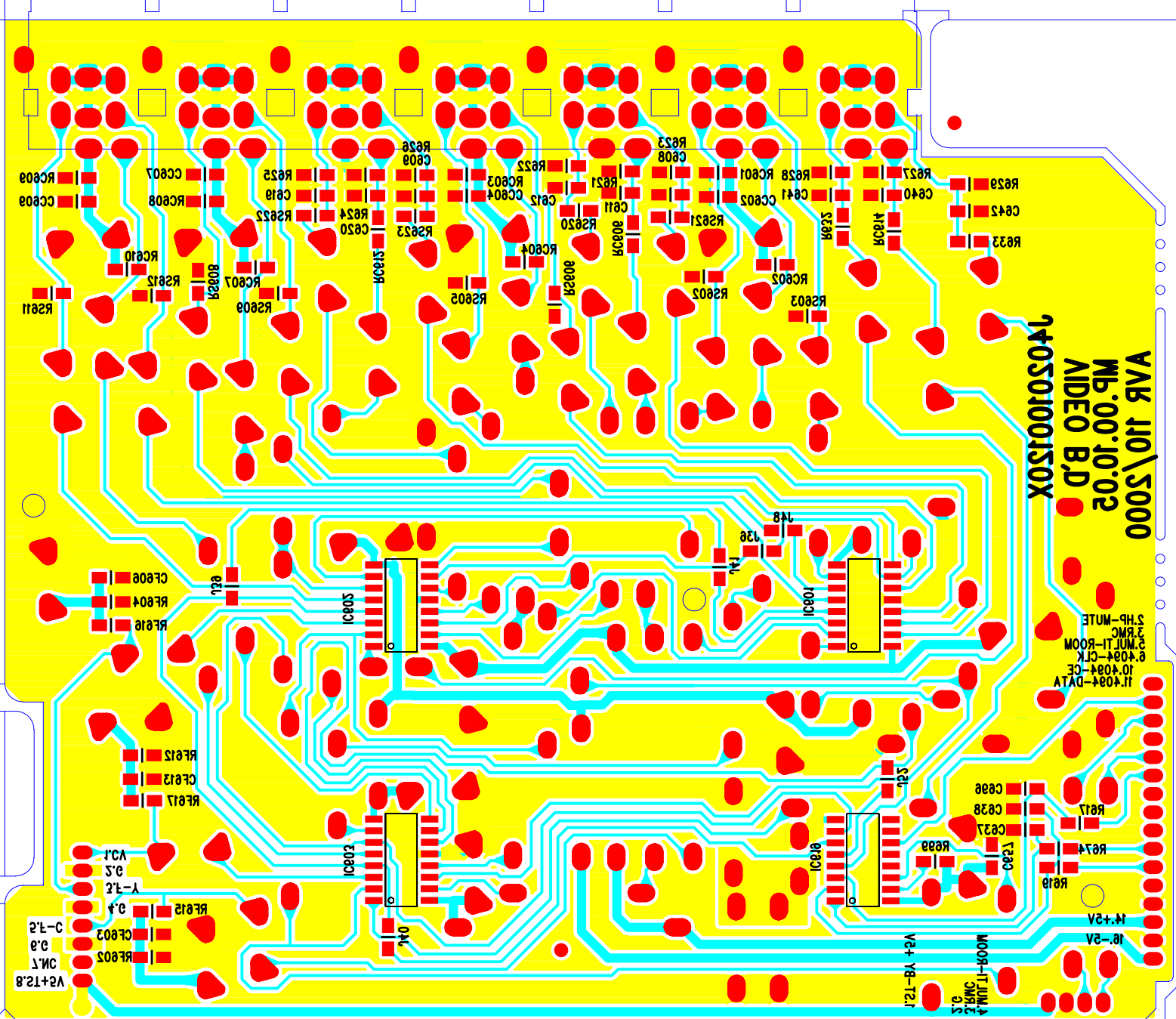
WHITE WHITE

POWER S/W

ST-BY B'D

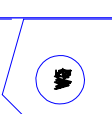
RED GREEN GND





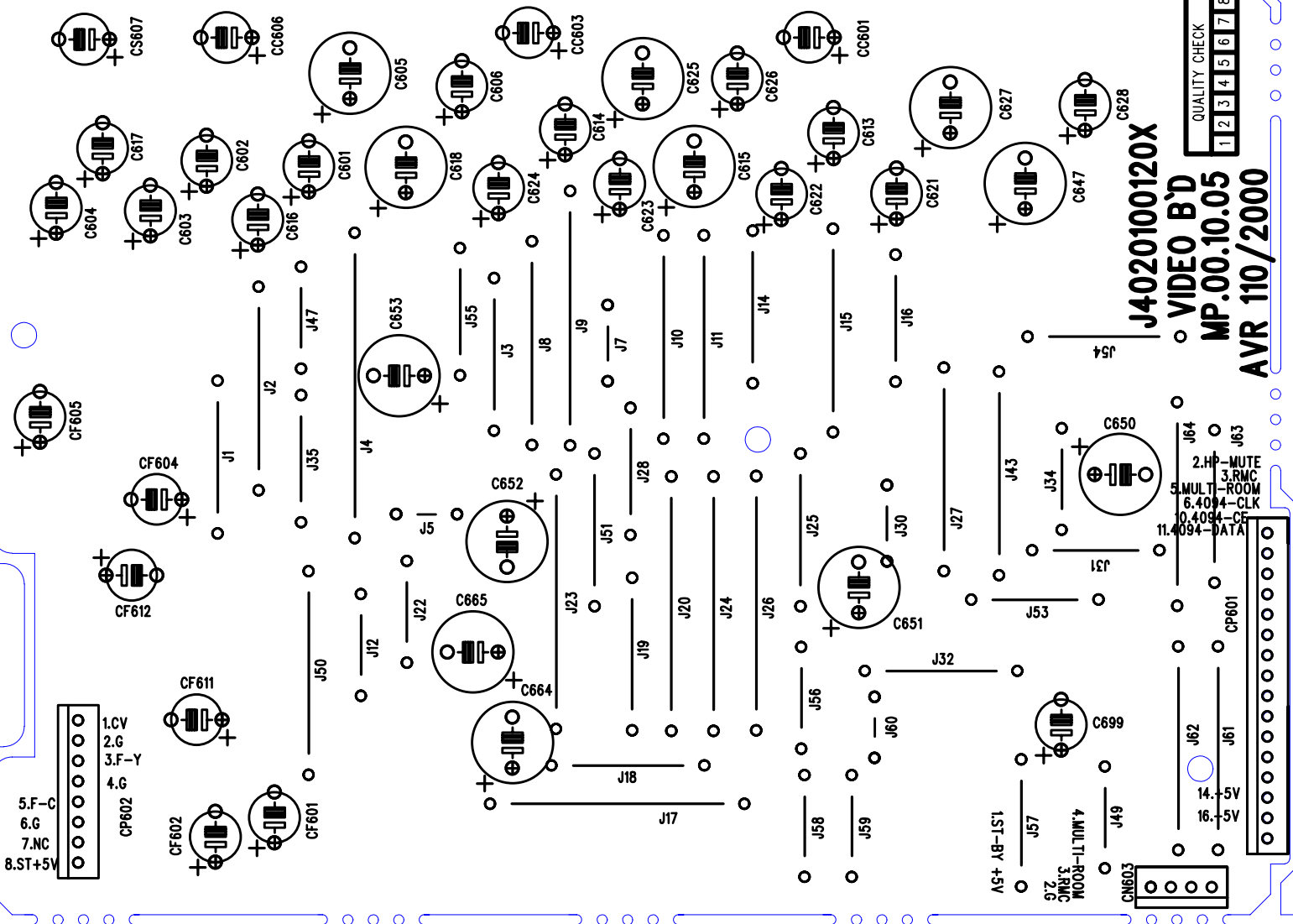
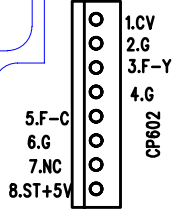
VAR 110\5000  
MP 00 10 02  
AIDEO B,D  
14050100150X

14050100150X  
VAR 110\5000 AIDEO B,D



# AVR 110/2000 VIDEO B'D

J4020100120X



J4020100120X

VIDEO B'D

MP.00.10.05

AVR 110/2000

QUALITY CHECK
1 2 3 4 5 6 7 8

