

Reference Designator	Part Number	Description
INPUT PCB ASS'Y COP12327D		
R237	CRJ10DJ104T	RES, CHIP(1608/5%/100Kohm)
R238	CRJ10DJ104T	RES, CHIP(1608/5%/100Kohm)
R239	CRJ10DJ104T	RES, CHIP(1608/5%/100Kohm)
R240	CRJ10DJ104T	RES, CHIP(1608/5%/100Kohm)
R241	CRJ10DJ0R0T	RES, CHIP(1608/5%/0ohm)
R242	CRJ10DJ0R0T	RES, CHIP(1608/5%/0ohm)
R243	CRJ10DJ0R0T	RES, CHIP(1608/5%/0ohm)
R247	CRJ10DJ0R0T	RES, CHIP(1608/5%/0ohm)
R248	CRJ10DJ0R0T	RES, CHIP(1608/5%/0ohm)
R249	CRJ10DJ0R0T	RES, CHIP(1608/5%/0ohm)
R250	CRJ10DJ0R0T	RES, CHIP(1608/5%/0ohm)
R258	CRJ10DJ4R7T	RES, CHIP(1608/5%/4.7ohm)
R259	CRJ10DJ4R7T	RES, CHIP(1608/5%/4.7ohm)
R260	CRJ10DJ4R7T	RES, CHIP(1608/5%/4.7ohm)
R263	CRJ10DJ184T	RES, CHIP(1608/5%/180Kohm)
R264	CRJ10DJ184T	RES, CHIP(1608/5%/180Kohm)
R265	CRJ10DJ184T	RES, CHIP(1608/5%/180Kohm)
R266	CRJ10DJ184T	RES, CHIP(1608/5%/180Kohm)
R267	CRJ10DJ184T	RES, CHIP(1608/5%/180Kohm)
R268	CRJ10DJ184T	RES, CHIP(1608/5%/180Kohm)
R274	CRJ10DJ222T	RES, CHIP(1608/5%/2.2Kohm)
R281	CRJ10DJ0R0T	RES, CHIP(1608/5%/0ohm)
R282	CRJ10DJ0R0T	RES, CHIP(1608/5%/0ohm)
R283	CRJ10DJ0R0T	RES, CHIP(1608/5%/0ohm)
R284	CRJ10DJ152T	RES, CHIP(1608/5%/1.5Kohm)
R285	CRJ10DJ0R0T	RES, CHIP(1608/5%/0ohm)
R286	CRJ10DJ0R0T	RES, CHIP(1608/5%/0ohm)
R287	CRJ10DJ0R0T	RES, CHIP(1608/5%/0ohm)
R288	CRJ10DJ0R0T	RES, CHIP(1608/5%/0ohm)
R295	CRJ10DJ563T	RES, CHIP(1608/5%/56Kohm)
R296	CRJ10DJ563T	RES, CHIP(1608/5%/56Kohm)
R297	CRJ10DJ563T	RES, CHIP(1608/5%/56Kohm)
R298	CRJ10DJ563T	RES, CHIP(1608/5%/56Kohm)
R300	CRJ10DJ103T	RES, CHIP(1608/5%/10Kohm)
R301	CRJ10DJ332T	RES, CHIP(1608/5%/3.3Kohm)
R302	CRJ10DJ332T	RES, CHIP(1608/5%/3.3Kohm)
R303	CRJ10DJ332T	RES, CHIP(1608/5%/3.3Kohm)
R304	CRJ10DJ332T	RES, CHIP(1608/5%/3.3Kohm)
R305	CRJ10DJ332T	RES, CHIP(1608/5%/3.3Kohm)
R306	CRJ10DJ332T	RES, CHIP(1608/5%/3.3Kohm)
R307	CRJ10DJ332T	RES, CHIP(1608/5%/3.3Kohm)
R308	CRJ10DJ332T	RES, CHIP(1608/5%/3.3Kohm)
R309	CRJ10DJ332T	RES, CHIP(1608/5%/3.3Kohm)
R310	CRJ10DJ332T	RES, CHIP(1608/5%/3.3Kohm)
R311	CRJ10DJ332T	RES, CHIP(1608/5%/3.3Kohm)
R312	CRJ10DJ332T	RES, CHIP(1608/5%/3.3Kohm)
R313	CRJ10DJ332T	RES, CHIP(1608/5%/3.3Kohm)
R314	CRJ10DJ332T	RES, CHIP(1608/5%/3.3Kohm)
R315	CRJ10DJ332T	RES, CHIP(1608/5%/3.3Kohm)
R316	CRJ10DJ332T	RES, CHIP(1608/5%/3.3Kohm)
R319	CRJ10DJ561T	RES, CHIP(1608/5%/560ohm)
R328	CRJ10DJ152T	RES, CHIP(1608/5%/1.5Kohm)
R329	CRJ10DJ152T	RES, CHIP(1608/5%/1.5Kohm)

Reference Designator	Part Number	Description
INPUT PCB ASS'Y COP12327D		
R330	CRJ10DJ152T	RES, CHIP(1608/5%/1.5Kohm)
R331	CRJ10DJ152T	RES, CHIP(1608/5%/1.5Kohm)
R332	CRJ10DJ152T	RES, CHIP(1608/5%/1.5Kohm)
R333	CRJ10DJ152T	RES, CHIP(1608/5%/1.5Kohm)
R334	CRJ10DJ152T	RES, CHIP(1608/5%/1.5Kohm)
R335	CRJ10DJ152T	RES, CHIP(1608/5%/1.5Kohm)
R336	CRJ10DJ682T	RES, CHIP(1608/5%/6.8Kohm)
R337	CRJ10DJ104T	RES, CHIP(1608/5%/100Kohm)
R338	CRJ10DJ102T	RES, CHIP(1608/5%/1Kohm)
R340	CRJ10DJ561T	RES, CHIP(1608/5%/560ohm)
R342	CRJ10DJ392T	RES, CHIP(1608/5%/3.9Kohm)
R343	CRJ10DJ392T	RES, CHIP(1608/5%/3.9Kohm)
R344	CRJ10DJ682T	RES, CHIP(1608/5%/6.8Kohm)
R345	CRJ10DJ682T	RES, CHIP(1608/5%/6.8Kohm)
R346	CRJ10DJ682T	RES, CHIP(1608/5%/6.8Kohm)
R347	CRJ10DJ682T	RES, CHIP(1608/5%/6.8Kohm)
R348	CRJ10DJ682T	RES, CHIP(1608/5%/6.8Kohm)
R349	CRJ10DJ682T	RES, CHIP(1608/5%/6.8Kohm)
R350	CRJ10DJ472T	RES, CHIP(1608/5%/4.7Kohm)
R351	CRJ10DJ472T	RES, CHIP(1608/5%/4.7Kohm)
R352	CRJ10DJ152T	RES, CHIP(1608/5%/1.5Kohm)
R353	CRJ10DJ152T	RES, CHIP(1608/5%/1.5Kohm)
R354	CRJ10DJ301T	RES, CHIP(1608/5%/300ohm)
R355	CRJ10DJ273T	RES, CHIP(1608/5%/27Kohm)
R356	CRJ10DJ152T	RES, CHIP(1608/5%/1.5Kohm)
R357	CRJ10DJ152T	RES, CHIP(1608/5%/1.5Kohm)
R358	CRJ10DJ152T	RES, CHIP(1608/5%/1.5Kohm)
R359	CRJ10DJ152T	RES, CHIP(1608/5%/1.5Kohm)
R360	CRJ10DJ152T	RES, CHIP(1608/5%/1.5Kohm)
R361	CRJ10DJ152T	RES, CHIP(1608/5%/1.5Kohm)
R362	CRJ10DJ0R0T	RES, CHIP(1608/5%/0ohm)
R363	CRJ10DJ0R0T	RES, CHIP(1608/5%/0ohm)
R364	CRJ10DJ0R0T	RES, CHIP(1608/5%/0ohm)
R365	CRJ10DJ0R0T	RES, CHIP(1608/5%/0ohm)
R366	CRJ10DJ0R0T	RES, CHIP(1608/5%/0ohm)
R367	CRJ10DJ0R0T	RES, CHIP(1608/5%/0ohm)
R368	CRJ10DJ0R0T	RES, CHIP(1608/5%/0ohm)
R369	CRJ10DJ301T	RES, CHIP(1608/5%/300ohm)
R370	CRJ10DJ273T	RES, CHIP(1608/5%/27Kohm)
R371	CRJ10DJ0R0T	RES, CHIP(1608/5%/0ohm)
R372	CRJ10DJ101T	RES, CHIP(1608/5%/100ohm)
R373	CRJ10DJ101T	RES, CHIP(1608/5%/100ohm)
R374	CRJ10DJ101T	RES, CHIP(1608/5%/100ohm)
R375	CRJ10DJ101T	RES, CHIP(1608/5%/100ohm)
R376	CRJ10DJ101T	RES, CHIP(1608/5%/100ohm)
R377	CRJ10DJ101T	RES, CHIP(1608/5%/100ohm)
R378	CRJ10DJ101T	RES, CHIP(1608/5%/100ohm)
R379	CRJ10DJ101T	RES, CHIP(1608/5%/100ohm)
R385	CRJ10DJ561T	RES, CHIP(1608/5%/560ohm)
R386	CRJ10DJ561T	RES, CHIP(1608/5%/560ohm)
R387	CRJ10DJ561T	RES, CHIP(1608/5%/560ohm)
R388	CRJ10DJ561T	RES, CHIP(1608/5%/560ohm)
R391	CRJ10DJ392T	RES, CHIP(1608/5%/3.9Kohm)

Reference Designator	Part Number	Description
INPUT PCB ASS'Y COP12327D		
R392	CRJ10DJ392T	RES, CHIP(1608/5%/3.9Kohm)
R393	CRJ10DJ392T	RES, CHIP(1608/5%/3.9Kohm)
R395	CRJ10DJ392T	RES, CHIP(1608/5%/3.9Kohm)
R396	CRJ10DJ392T	RES, CHIP(1608/5%/3.9Kohm)
R397	CRJ10DJ392T	RES, CHIP(1608/5%/3.9Kohm)
R398	CRJ10DJ392T	RES, CHIP(1608/5%/3.9Kohm)
R408	CRJ10DJ105T	RES, CHIP(1608/5%/1Mohm)
R410	CRJ10DJ0R0T	RES, CHIP(1608/5%/0ohm)
R411	CRJ10DJ272T	RES, CHIP(1608/5%/2.7Kohm)
R412	CRJ10DJ0R0T	RES, CHIP(1608/5%/0ohm)
R413	CRJ10DJ272T	RES, CHIP(1608/5%/2.7Kohm)
R414	CRJ10DJ472T	RES, CHIP(1608/5%/4.7Kohm)
R415	CRJ10DJ472T	RES, CHIP(1608/5%/4.7Kohm)
R416	CRJ10DJ272T	RES, CHIP(1608/5%/2.7Kohm)
R417	CRJ10DJ472T	RES, CHIP(1608/5%/4.7Kohm)
R418	CRJ10DJ472T	RES, CHIP(1608/5%/4.7Kohm)
R419	CRJ10DJ272T	RES, CHIP(1608/5%/2.7Kohm)
R420	CRJ06IJ101T	RES, CHIP(1005/5%/100ohm)
R421	CRJ06IJ101T	RES, CHIP(1005/5%/100ohm)
R422	CRJ06IJ101T	RES, CHIP(1005/5%/100ohm)
R423	CRJ06IJ101T	RES, CHIP(1005/5%/100ohm)
R452	CRJ06IJ563T	RES, CHIP(1005/5%/56Kohm)
R454	CRJ10DJ562T	RES, CHIP(1608/5%/5.6Kohm)
R455	CRJ10DJ122T	RES, CHIP(1608/5%/1.2Kohm)
R456	CRJ10DJ562T	RES, CHIP(1608/5%/5.6Kohm)
R461	CRJ10DJ104T	RES, CHIP(1608/5%/100Kohm)
R462	CRJ10DJ104T	RES, CHIP(1608/5%/100Kohm)
R463	CRJ06IJ561T	RES, CHIP(1005/5%/560ohm)
R464	CRJ06IJ561T	RES, CHIP(1005/5%/560ohm)
R472	CRJ10DJ101T	RES, CHIP(1608/5%/100ohm)
R473	CRJ06IJ563T	RES, CHIP(1005/5%/56Kohm)
R474	CRJ10DJ122T	RES, CHIP(1608/5%/1.2Kohm)
R601	CRJ06IJ101T	RES, CHIP(1005/5%/100ohm)
R602	CRJ10DJ103T	RES, CHIP(1608/5%/10Kohm)
R603	CRJ10DJ103T	RES, CHIP(1608/5%/10Kohm)
R604	CRJ10DJ103T	RES, CHIP(1608/5%/10Kohm)
R605	CRJ10DJ332T	RES, CHIP(1608/5%/3.3Kohm)
R606	CRJ10DJ332T	RES, CHIP(1608/5%/3.3Kohm)
R607	CRJ10DJ0R0T	RES, CHIP(1608/5%/0ohm)
R610	CRJ10DF5101T	RES, CHIP(1608/1%/5.1Kohm)
R611	CRJ10DJ103T	RES, CHIP(1608/5%/10Kohm)
R612	CRJ06IJ820T	RES, CHIP(1005/5%/820ohm)
R613	CRJ06IJ330T	RES, CHIP(1005/5%/33ohm)
R614	CRJ06IJ330T	RES, CHIP(1005/5%/33ohm)
R615	CRJ10DJ332T	RES, CHIP(1608/5%/3.3Kohm)
R616	CRJ10DJ0R0T	RES, CHIP(1608/5%/0ohm)
R619	CRJ10DJ103T	RES, CHIP(1608/5%/10Kohm)
R620	CRJ06IJ750T	RES, CHIP(1005/5%/75ohm)
R621	CRJ10DJ332T	RES, CHIP(1608/5%/3.3Kohm)
R622	CRJ10DJ332T	RES, CHIP(1608/5%/3.3Kohm)
R701	CRJ10DJ103T	RES, CHIP(1608/5%/10Kohm)
R702	CRJ10DJ103T	RES, CHIP(1608/5%/10Kohm)
R706	CRJ10DJ221T	RES, CHIP(1608/5%/220ohm)

Reference Designator	Part Number	Description
INPUT PCB ASS'Y COP12327D		
R707	CRJ10DJ221T	RES, CHIP(1608/5%/220ohm)
R709	CRJ10DJ103T	RES, CHIP(1608/5%/10Kohm)
R710	CRJ10DJ103T	RES, CHIP(1608/5%/10Kohm)
R711	CRJ06IJ560T	RES, CHIP(1005/5%/56ohm)
R712	CRJ06IJ820T	RES, CHIP(1005/5%/82ohm)
R714	CRJ10DJ103T	RES, CHIP(1608/5%/10Kohm)
R715	CRJ10DJ103T	RES, CHIP(1608/5%/10Kohm)
R722	CRJ06IJ0R0T	RES, CHIP(1005/5%/0ohm)
R723	CRJ06IJ330T	RES, CHIP(1005/5%/33ohm)
R724	CRJ06IJ101T	RES, CHIP(1005/5%/100ohm)
R728	CRJ06IJ102T	RES, CHIP(1005/5%/1Kohm)
R729	CRJ06IJ330T	RES, CHIP(1005/5%/33ohm)
R730	CRJ06IJ330T	RES, CHIP(1005/5%/33ohm)
R732	CRJ10DJ103T	RES, CHIP(1608/5%/10Kohm)
R734	CRJ10DJ332T	RES, CHIP(1608/5%/3.3Kohm)
R737	CRJ06IJ330T	RES, CHIP(1005/5%/33ohm)
R739	CRJ06IJ820T	RES, CHIP(1005/5%/82ohm)
R741	CRJ06IJ330T	RES, CHIP(1005/5%/33ohm)
R742	CRJ06IJ330T	RES, CHIP(1005/5%/33ohm)
R743	CRJ06IJ330T	RES, CHIP(1005/5%/33ohm)
R746	CRJ10DJ103T	RES, CHIP(1608/5%/10Kohm)
R748	CRJ10DJ0R0T	RES, CHIP(1608/5%/0ohm)
R749	CRJ06IJ750T	RES, CHIP(1005/5%/75ohm)
R750	CRJ10DJ103T	RES, CHIP(1608/5%/10Kohm)
R751	CRJ06IJ820T	RES, CHIP(1005/5%/82ohm)
R752	CRJ06IJ330T	RES, CHIP(1005/5%/33ohm)
R755	CRJ10DJ103T	RES, CHIP(1608/5%/10Kohm)
R756	CRJ06IJ750T	RES, CHIP(1005/5%/75ohm)
R757	CRJ06IJ750T	RES, CHIP(1005/5%/75ohm)
R760	CRJ10DJ105T	RES, CHIP(1608/5%/1Mohm)
R764	CRJ06IJ330T	RES, CHIP(1005/5%/33ohm)
R765	CRJ06IJ330T	RES, CHIP(1005/5%/33ohm)
R766	CRJ10DJ0R0T	RES, CHIP(1608/5%/0ohm)
R768	CRJ06IJ330T	RES, CHIP(1005/5%/33ohm)
R769	CRJ06IJ330T	RES, CHIP(1005/5%/33ohm)
R773	CRJ10DJ332T	RES, CHIP(1608/5%/3.3Kohm)
R774	CRJ10DJ103T	RES, CHIP(1608/5%/10Kohm)
R775	CRJ10DJ332T	RES, CHIP(1608/5%/3.3Kohm)
R776	CRJ10DJ332T	RES, CHIP(1608/5%/3.3Kohm)
R777	CRJ06IJ101T	RES, CHIP(1005/5%/100ohm)
R778	CRJ06IJ221T	RES, CHIP(1005/5%/220ohm)
R782	CRJ10DJ272T	RES, CHIP(1608/5%/2.7Kohm)
R783	CRJ10DJ272T	RES, CHIP(1608/5%/2.7Kohm)
R784	CRJ10DJ473T	RES, CHIP(1608/5%/47Kohm)
R786	CRJ10DJ471T	RES, CHIP(1608/5%/470ohm)
R787	CRJ06IJ0R0T	RES, CHIP(1005/5%/0ohm)
R789	CRJ10DJ103T	RES, CHIP(1608/5%/10Kohm)
R790	CRJ10DJ103T	RES, CHIP(1608/5%/10Kohm)
R791	CRJ10DJ273T	RES, CHIP(1608/5%/27Kohm)
R792	CRJ10DJ0R0T	RES, CHIP(1608/5%/0ohm)
R798	CRJ10DJ0R0T	RES, CHIP(1608/5%/0ohm)
R799	CRJ10DJ0R0T	RES, CHIP(1608/5%/0ohm)
R800	CRJ10DJ332T	RES, CHIP(1608/5%/3.3Kohm)

Reference Designator	Part Number	Description	
INPUT PCB ASS'Y COP12327D			
R801	CRJ10DJ332T	RES, CHIP(1608/5%/3.3Kohm)	
R802	CRJ06IJ105T	RES, CHIP(1005/5%/1Mohm)	
R803	CRJ10DJ330T	RES, CHIP(1608/5%/33ohm)	
R806	CRJ10DJ474T	RES, CHIP(1608/5%/470Kohm)	
R807	CRJ10DJ474T	RES, CHIP(1608/5%/470Kohm)	
R810	CRJ10DJ103T	RES, CHIP(1608/5%/10Kohm)	
R811	CRJ06IJ103T	RES, CHIP(1005/5%/10Kohm)	
R815	CRJ06IJ330T	RES, CHIP(1005/5%/33ohm)	
R816	CRJ06IJ330T	RES, CHIP(1005/5%/33ohm)	
R820	CRJ06IJ330T	RES, CHIP(1005/5%/33ohm)	
R821	CRJ06IJ330T	RES, CHIP(1005/5%/33ohm)	
R822	CRJ06IJ330T	RES, CHIP(1005/5%/33ohm)	
R823	CRJ06IJ330T	RES, CHIP(1005/5%/33ohm)	
R824	CRJ10DJ472T	RES, CHIP(1608/5%/4.7Kohm)	
R825	CRJ10DJ472T	RES, CHIP(1608/5%/4.7Kohm)	
R826	CRJ06IJ330T	RES, CHIP(1005/5%/33ohm)	
R827	CRJ10DJ0R0T	RES, CHIP(1608/5%/0ohm)	
R828	CRJ10DJ0R0T	RES, CHIP(1608/5%/0ohm)	
R832	CRJ10DJ330T	RES, CHIP(1608/5%/33ohm)	
R833	CRJ10DJ330T	RES, CHIP(1608/5%/33ohm)	
R838	CRJ10DF49R9T	RES, CHIP(1608/1%/49.9ohm)	
R839	CRJ10DF49R9T	RES, CHIP(1608/1%/49.9ohm)	
R840	CRJ10DF49R9T	RES, CHIP(1608/1%/49.9ohm)	
R841	CRJ10DF49R9T	RES, CHIP(1608/1%/49.9ohm)	
R842	CRJ10DJ223T	RES, CHIP(1608/5%/22Kohm)	
R843	CRJ10DJ473T	RES, CHIP(1608/5%/47Kohm)	
R848	CRJ10DJ100T	RES, CHIP(1608/5%/10ohm)	
R849	CRJ10DJ100T	RES, CHIP(1608/5%/10ohm)	
R852	CRJ10DJ4R7T	RES, CHIP(1608/5%/4.7ohm)	
R853	CRJ10DJ104T	RES, CHIP(1608/5%/100Kohm)	
R854	CRJ10DJ103T	RES, CHIP(1608/5%/10Kohm)	
R855	CRJ10DJ0R0T	RES, CHIP(1608/5%/0ohm)	
R856	CRJ10DJ0R0T	RES, CHIP(1608/5%/0ohm)	
R860	CRJ10DJ272T	RES, CHIP(1608/5%/2.7Kohm)	
R861	CRJ10DJ100T	RES, CHIP(1608/5%/10ohm)	
R862	CRJ10DJ301T	RES, CHIP(1608/5%/300ohm)	
R864	CRJ10DJ473T	RES, CHIP(1608/5%/47Kohm)	
R869	CRJ06IJ0R0T	RES, CHIP(1005/5%/0ohm)	
R880	CRJ10DJ100T	RES, CHIP(1608/5%/10ohm)	
R890	CRJ10DJ0R0T	RES, CHIP(1608/5%/0ohm)	
R909	CRJ10DJ153T	RES, CHIP(1608/5%/15Kohm)	
R921	CRJ10DJ103T	RES, CHIP(1608/5%/10Kohm)	
R923	CRJ10DJ103T	RES, CHIP(1608/5%/10Kohm)	
R960	CRJ10DJ332T	RES, CHIP(1608/5%/3.3Kohm)	
R967	CRJ10DJ153T	RES, CHIP(1608/5%/15Kohm)	
R992	CRJ10DJ153T	RES, CHIP(1608/5%/15Kohm)	
WF104	CJP17GA193ZY	WAFER, CARD CABLE (SMD)	
WF105	CJP17GA193ZY	WAFER, CARD CABLE (SMD)	
C137	CCEA1CH101T	CAP, ELECT(16V/100uF)	KR3-16V101MA(5*11L)
C138	CCEA1CH101T	CAP, ELECT(16V/100uF)	KR3-16V101MA(5*11L)
C231	CCEA1CH101T	CAP, ELECT(16V/100uF)	KR3-16V101MA(5*11L)
C232	CCEA1CH101T	CAP, ELECT(16V/100uF)	KR3-16V101MA(5*11L)
C233	CCEA1CH101T	CAP, ELECT(16V/100uF)	KR3-16V101MA(5*11L)

Reference Designator	Part Number	Description	
INPUT PCB ASS'Y COP12327D			
C234	CCEA1CH101T	CAP , ELECT(16V/100uF)	KR3-16V101MA(5*11L)
C235	CCEA1HH100T	CAP , ELECT(50V/10uF)	KR3-50V100MA(5*11L)
C236	CCEA1HH100T	CAP , ELECT(50V/10uF)	KR3-50V100MA(5*11L)
C237	CCEA1HH100T	CAP , ELECT(50V/10uF)	KR3-50V100MA(5*11L)
C238	CCEA1HH100T	CAP , ELECT(50V/10uF)	KR3-50V100MA(5*11L)
C281	CCEA1HH100T	CAP , ELECT(50V/10uF)	KR3-50V100MA(5*11L)
C282	CCEA1HH100T	CAP , ELECT(50V/10uF)	KR3-50V100MA(5*11L)
C283	CCEA1HH100T	CAP , ELECT(50V/10uF)	KR3-50V100MA(5*11L)
C284	CCEA1HH100T	CAP , ELECT(50V/10uF)	KR3-50V100MA(5*11L)
C285	CCEA1HH100T	CAP , ELECT(50V/10uF)	KR3-50V100MA(5*11L)
C286	CCEA1HH100T	CAP , ELECT(50V/10uF)	KR3-50V100MA(5*11L)
C287	CCEA1HH100T	CAP , ELECT(50V/10uF)	KR3-50V100MA(5*11L)
C288	CCEA1HH100T	CAP , ELECT(50V/10uF)	KR3-50V100MA(5*11L)
C292	CCEA1CH101T	CAP , ELECT(16V/100uF)	KR3-16V101MA(5*11L)
C294	CCEA1CH101T	CAP , ELECT(16V/100uF)	KR3-16V101MA(5*11L)
C295	CCEA1CH101T	CAP , ELECT(16V/100uF)	KR3-16V101MA(5*11L)
C296	CCEA1CH101T	CAP , ELECT(16V/100uF)	KR3-16V101MA(5*11L)
C297	CCEA1CH101T	CAP , ELECT(16V/100uF)	KR3-16V101MA(5*11L)
C298	CCEA1CH101T	CAP , ELECT(16V/100uF)	KR3-16V101MA(5*11L)
C340	CCEA1HH220T	CAP , ELECT(50V/22uF)	KR3-50V220MA(5*11L)
C341	CCEA1HH220T	CAP , ELECT(50V/22uF)	KR3-50V220MA(5*11L)
C342	CCEA1HH220T	CAP , ELECT(50V/22uF)	KR3-50V220MA(5*11L)
C343	CCEA1HH220T	CAP , ELECT(50V/22uF)	KR3-50V220MA(5*11L)
C344	CCEA1HH220T	CAP , ELECT(50V/22uF)	KR3-50V220MA(5*11L)
C345	CCEA1HH220T	CAP , ELECT(50V/22uF)	KR3-50V220MA(5*11L)
C346	CCEA1HH220T	CAP , ELECT(50V/22uF)	KR3-50V220MA(5*11L)
C347	CCEA1HH220T	CAP , ELECT(50V/22uF)	KR3-50V220MA(5*11L)
C361	CCEA1CH101T	CAP , ELECT(16V/100uF)	KR3-16V101MA(5*11L)
C374	CCEA1HH100T	CAP , ELECT(50V/10uF)	KR3-50V100MA(5*11L)
C389	CCEA1HH100T	CAP , ELECT(50V/10uF)	KR3-50V100MA(5*11L)
C390	CCEA1HH100T	CAP , ELECT(50V/10uF)	KR3-50V100MA(5*11L)
C414	CCEA1HH100T	CAP , ELECT(50V/10uF)	KR3-50V100MA(5*11L)
C415	CCEA1HH100T	CAP , ELECT(50V/10uF)	KR3-50V100MA(5*11L)
C429	CCEA1HH100T	CAP , ELECT(50V/10uF)	KR3-50V100MA(5*11L)
C430	CCEA1HH100T	CAP , ELECT(50V/10uF)	KR3-50V100MA(5*11L)
C441	CCEA1EH101T	CAP , ELECT(25V/100uF)	KR3-25V101MB(6.3*11L)
C452	CCEA1HH100T	CAP , ELECT(50V/10uF)	KR3-50V100MA(5*11L)
C453	CCEA1HH100T	CAP , ELECT(50V/10uF)	KR3-50V100MA(5*11L)
C454	CCEA1EH101T	CAP , ELECT(25V/100uF)	KR3-25V101MB(6.3*11L)
C463	CCEA1HH100T	CAP , ELECT(50V/10uF)	KR3-50V100MA(5*11L)
C464	CCEA1HH100T	CAP , ELECT(50V/10uF)	KR3-50V100MA(5*11L)
C465	CCEA1HH100T	CAP , ELECT(50V/10uF)	KR3-50V100MA(5*11L)
C612	CCEA1CH101T	CAP , ELECT(16V/100uF)	KR3-16V101MA(5*11L)
C614	CCEA1CK101T	CAP , ELECT(16V/100uF)-S	KC3-16V101MA5(6.3*5L)
C628	CCEA1CH101T	CAP , ELECT(16V/100uF)	KR3-16V101MA(5*11L)
C630	CCEA1CH101T	CAP , ELECT(16V/100uF)	KR3-16V101MA(5*11L)
C703	CCEA1CH101T	CAP , ELECT(16V/100uF)	KR3-16V101MA(5*11L)
C706	CCEA1CH101T	CAP , ELECT(16V/100uF)	KR3-16V101MA(5*11L)
C717	CCEA1HH4R7T	CAP , ELECT(50V/4.7uF)	KR3-50V4R7MA(5*11L)
C720	CCEA1CH101T	CAP , ELECT(16V/100uF)	KR3-16V101MA(5*11L)
C721	CCEA1AH471T	CAP , ELECT(10V/470uF)	KR3-10V471MB(6.3*11L)
C726	CCEA1CH101T	CAP , ELECT(16V/100uF)	KR3-16V101MA(5*11L)
C728	CCEA1AH471T	CAP , ELECT(10V/470uF)	KR3-10V471MB(6.3*11L)

Reference Designator	Part Number	Description	
INPUT PCB ASS'Y COP12327D			
C730	CCEA1CH101T	CAP , ELECT(16V/100uF)	KR3-16V101MA(5*11L)
C735	CCEA1AH471T	CAP , ELECT(10V/470uF)	KR3-10V471MB(6.3*11L)
C740	CCEA1CH101T	CAP , ELECT(16V/100uF)	KR3-16V101MA(5*11L)
C749	CCEA1CH101T	CAP , ELECT(16V/100uF)	KR3-16V101MA(5*11L)
C750	CCEA1CH101T	CAP , ELECT(16V/100uF)	KR3-16V101MA(5*11L)
C752	CCEA1CH101T	CAP , ELECT(16V/100uF)	KR3-16V101MA(5*11L)
C753	CCEA1CH101T	CAP , ELECT(16V/100uF)	KR3-16V101MA(5*11L)
C764	CCEA0JH102T	CAP , ELECT(1000uF/6.3V)	1000UF 6.3V
C786	CCEA1CH101T	CAP , ELECT(16V/100uF)	KR3-16V101MA(5*11L)
C787	CCEA1CH101T	CAP , ELECT(16V/100uF)	KR3-16V101MA(5*11L)
C799	CCEA1CH101T	CAP , ELECT(16V/100uF)	KR3-16V101MA(5*11L)
C844	CCEA1CKS101T	CAP , ELECT(16V/100uF)-S	KC3-16V101MA5(6.3*5L)
C845	CCEA1HKS1R0T	CAP , ELECT(50V/1uF)-S	KC3-50V010MA2(4*5L)
C847	CCEA1CKS101T	CAP , ELECT(16V/100uF)-S	KC3-16V101MA5(6.3*5L)
C861	CCEA1CKS100T	CAP , ELECT(16V/10uF)-S	KC3-16V100MA2(4*5L)
C862	CCEA1CKS101T	CAP , ELECT(16V/100uF)-S	KC3-16V101MA5(6.3*5L)
C863	CCEA1CKS101T	CAP , ELECT(16V/100uF)-S	KC3-16V101MA5(6.3*5L)
C868	CCEA1EH470T	CAP , ELECT(25V/47uF)	KR3-25V470MA(5*11L)
D221	CVD1N4003SRT	DIODE , RECT	1N4003
D222	CVD1N4003SRT	DIODE , RECT	1N4003
D803	CVD1N4003SRT	DIODE , RECT	1N4003
D804	CVD1N4003SRT	DIODE , RECT	1N4003
Q311	HVTKTC2874BT	TRANSISTOR , MUTE	KTC2874B
BN52	CWB1C005200EN	WIRE ASS'Y(5P, 200MM, 2.0MM)	5P, 2.0MM, 200MM
CN11	CJP06GA19ZY	WAFER,20017WS(2mm,STRAIGHT)	
CN19	CJP06GA19ZY	WAFER,20017WS(2mm,STRAIGHT)	
CN20	CJP11GI237ZW	LOCK-WAFER/STRAIGHT/2.5mm	JWT A2512WV0-NP
CN51	CJP05GA01ZY	WAFER,YMW025(2.5mm,STRAIGHT)	
CN62	CJP64GA221ZB	WAFER , 2.54MM 64PIN WAFER	
CN71	CJP18GB143ZB	FEMALE HEADER (18P, 2.54mm), ANGLE TYPE	
C732	CCEA0JKR3222E	CAP , ELECT(2200uF/6.3V)	
ET70	CMD1A569	BRACKET , PCB	
IC102	HVIKIA7808API	I.C,REGULATOR(+8V,T0220IS)	KIA7808API (KEC)
IC103	CVIKIA7908PI	I.C,REGULATOR(-8V,T0220IS)	KIA7908PI (KEC)
JK11	CJJ4P019W	JACK , RCA	
JK12	CJJ4R020W	JACK , BOARD	
JK52	CJJ9L015Z	JACK , RJ-45(WITH FILTER)	TM00640
JK75	HJSTORX147L	MODULE , OPTICAL (RX,3.3V)	
JK76	HJSTORX147L	MODULE , OPTICAL (RX,3.3V)	
JK78	CJJ4N075Z	JACK , 2P(GOLD PLATE)	RCA-215AG-01
JK79	HJSTOTX177AL	MODULE , OPTICAL(TX)	
L301	CLM4B001Z	COIL , MPX(FM 19KHz FILTER)	
L302	CLM4B001Z	COIL , MPX(FM 19KHz FILTER)	
TUN1	CNVMW004MV1S63SA	TUNER(USA) FM(SCREW:F TYPE,AM(S/LAB)KST-MW004MV1-S63SA	
WF101	CJP27GA285ZN	WAFER,FPC 1.25mm,straight	1.25-2-NP
WF103	CJP27GA285ZN	WAFER,FPC 1.25mm,straight	1.25-2-NP
X701	HOX24576E150TF	CRYSTAL , 24.576MHz, HC-49/S, 15pF, 30PPM	24.576MHZ
X702	HOX10000E220TF	CRYSTAL , 10.000MHz, HC-49/S, 22pF, 30PPM	CL-22P
X703	COX09000E150C	CRYSTAL , 09.000MHz, HC-49/S, 15pF, 30PPM	
X705	HOX10000E220TF	CRYSTAL , 10.000MHz, HC-49/S, 22pF, 30PPM	CL-22P
X708	HOX00032K120I	CRYSTAL , 32.768KHz, TUNING FORK, 12pF, 20PPM	
X777	COX25000E180C	CRYSTAL , 25.000MHz, HC-49/S, 18pF, 25PPM	

Reference Designator	Part Number	Description
HDMI PCB ASS'Y COP12328D		
CN104	CJP17GB210ZY	WAFER ,(CARD CABLE,ANGLE,SMT,1MM,10008HR-17L(P) 10008HR-17L
CN105	CJP17GB210ZY	WAFER ,(CARD CABLE,ANGLE,SMT,1MM,10008HR-17L(P) 10008HR-17L
C101	CCUI1C104KC	CAP , CHIP (1005, 16V/0.1uF)
C102	CCUI1C104KC	CAP , CHIP (1005, 16V/0.1uF)
C104	CCUI1C104KC	CAP , CHIP (1005, 16V/0.1uF)
C105	CCUI1E103KC	CAP , CHIP(1005, 25V/0.01uF)
C106	CCUI1C104KC	CAP , CHIP (1005, 16V/0.1uF)
C107	CCUI1C104KC	CAP , CHIP (1005, 16V/0.1uF)
C108	CCUI1E103KC	CAP , CHIP(1005, 25V/0.01uF)
C109	CCUI1E103KC	CAP , CHIP(1005, 25V/0.01uF)
C110	CCUI1C104KC	CAP , CHIP (1005, 16V/0.1uF)
C111	CCUI1C104KC	CAP , CHIP (1005, 16V/0.1uF)
C113	CCUI1C104KC	CAP , CHIP (1005, 16V/0.1uF)
C115	CCUI1C104KC	CAP , CHIP (1005, 16V/0.1uF)
C116	CCUI1E103KC	CAP , CHIP(1005, 25V/0.01uF)
C117	CCUI1C104KC	CAP , CHIP (1005, 16V/0.1uF)
C118	CCUI1C104KC	CAP , CHIP (1005, 16V/0.1uF)
C119	CCUC0J106KC	CAP , CHIP(2012, 6.3V/10uF)
C120	CCUC0J106KC	CAP , CHIP(2012, 6.3V/10uF)
C121	CCUC0J106KC	CAP , CHIP(2012, 6.3V/10uF)
C122	CCUI1E103KC	CAP , CHIP(1005, 25V/0.01uF)
C123	CCUI1C104KC	CAP , CHIP (1005, 16V/0.1uF)
C124	CCUI1C104KC	CAP , CHIP (1005, 16V/0.1uF)
C125	CCUI1E103KC	CAP , CHIP(1005, 25V/0.01uF)
C126	CCUI1E103KC	CAP , CHIP(1005, 25V/0.01uF)
C127	CCUI1E103KC	CAP , CHIP(1005, 25V/0.01uF)
C128	CCUI1C104KC	CAP , CHIP (1005, 16V/0.1uF)
C129	CCUI1C104KC	CAP , CHIP (1005, 16V/0.1uF)
C130	CCUI1E103KC	CAP , CHIP(1005, 25V/0.01uF)
C131	CCUI1E103KC	CAP , CHIP(1005, 25V/0.01uF)
C132	CCUI1E103KC	CAP , CHIP(1005, 25V/0.01uF)
C133	CCUI1C104KC	CAP , CHIP (1005, 16V/0.1uF)
C134	CCUI1E103KC	CAP , CHIP(1005, 25V/0.01uF)
C135	CCUI1E103KC	CAP , CHIP(1005, 25V/0.01uF)
C136	CCUI1C104KC	CAP , CHIP (1005, 16V/0.1uF)
C137	CCUI1E103KC	CAP , CHIP(1005, 25V/0.01uF)
C138	CCUC0J106KC	CAP , CHIP(2012, 6.3V/10uF)
C140	CCUC0J106KC	CAP , CHIP(2012, 6.3V/10uF)
C141	CCUC0J106KC	CAP , CHIP(2012, 6.3V/10uF)
C142	CCUC0J106KC	CAP , CHIP(2012, 6.3V/10uF)
C152	CCSNA0J220B	CAP , CHIP TANTAL(22uF/6.3V, NingXia XingRi)
C153	CCSNA0J220B	CAP , CHIP TANTAL(22uF/6.3V, NingXia XingRi)
C154	CCUI1C104KC	CAP , CHIP (1005, 16V/0.1uF)
C156	CCUI1C104KC	CAP , CHIP (1005, 16V/0.1uF)
C158	CCUI1C104KC	CAP , CHIP (1005, 16V/0.1uF)
C159	CCSNA0J220B	CAP , CHIP TANTAL(22uF/6.3V, NingXia XingRi)
C160	CCSNA0J220B	CAP , CHIP TANTAL(22uF/6.3V, NingXia XingRi)
C161	CCUI1C104KC	CAP , CHIP (1005, 16V/0.1uF)
C162	CCUI1C104KC	CAP , CHIP (1005, 16V/0.1uF)
C163	CCUI1C104KC	CAP , CHIP (1005, 16V/0.1uF)
C164	CCUI1C104KC	CAP , CHIP (1005, 16V/0.1uF)
C165	CCUI1C104KC	CAP , CHIP (1005, 16V/0.1uF)
C166	CCUI1C104KC	CAP , CHIP (1005, 16V/0.1uF)

Reference Designator	Part Number	Description
INPUT PCB ASS'Y COP12327D		
C168	CCUI1C104KC	CAP , CHIP (1005, 16V/0.1uF)
C169	CCUI1C104KC	CAP , CHIP (1005, 16V/0.1uF)
C171	CCUI1C104KC	CAP , CHIP (1005, 16V/0.1uF)
C172	CCUI1C104KC	CAP , CHIP (1005, 16V/0.1uF)
C173	CCUI1C104KC	CAP , CHIP (1005, 16V/0.1uF)
C174	CCUI1C104KC	CAP , CHIP (1005, 16V/0.1uF)
C175	CCUI1C104KC	CAP , CHIP (1005, 16V/0.1uF)
C176	CCUI1C104KC	CAP , CHIP (1005, 16V/0.1uF)
C177	CCUI1C104KC	CAP , CHIP (1005, 16V/0.1uF)
C178	CCUI1C104KC	CAP , CHIP (1005, 16V/0.1uF)
C179	CCUI1C104KC	CAP , CHIP (1005, 16V/0.1uF)
C180	CCUI1E103KC	CAP , CHIP(1005, 25V/0.01uF)
C181	CCUI1C104KC	CAP , CHIP (1005, 16V/0.1uF)
C183	CCUI1C104KC	CAP , CHIP (1005, 16V/0.1uF)
C184	CCUI1C104KC	CAP , CHIP (1005, 16V/0.1uF)
C186	CCSNA0J220B	CAP , CHIP TANTAL(22uF/6.3V, NingXia XingRi)
C187	CCUI1C104KC	CAP , CHIP (1005, 16V/0.1uF)
C188	CCUI1C104KC	CAP , CHIP (1005, 16V/0.1uF)
C189	CCUI1C104KC	CAP , CHIP (1005, 16V/0.1uF)
C191	CCUI1C104KC	CAP , CHIP (1005, 16V/0.1uF)
C192	CCUI1C104KC	CAP , CHIP (1005, 16V/0.1uF)
C193	CCUI1C104KC	CAP , CHIP (1005, 16V/0.1uF)
C194	CCUI1C104KC	CAP , CHIP (1005, 16V/0.1uF)
C195	CCUI1C104KC	CAP , CHIP (1005, 16V/0.1uF)
C196	CCUI1C104KC	CAP , CHIP (1005, 16V/0.1uF)
C197	CCUI1C104KC	CAP , CHIP (1005, 16V/0.1uF)
C198	CCUI1C104KC	CAP , CHIP (1005, 16V/0.1uF)
C200	CCUI1C104KC	CAP , CHIP (1005, 16V/0.1uF)
C201	CCUI1C104KC	CAP , CHIP (1005, 16V/0.1uF)
C202	CCUI1C104KC	CAP , CHIP (1005, 16V/0.1uF)
C203	CCUI1C104KC	CAP , CHIP (1005, 16V/0.1uF)
C204	CCUI1C104KC	CAP , CHIP (1005, 16V/0.1uF)
C206	CCUS1H104KC	CAP , CHIP(1608, 50V/0.1uF)
C208	CCSNA1C100B	CAP , CHIP TANTAL(10uF/16V, NingXia XingRi)
C211	CCUI1C104KC	CAP , CHIP (1005, 16V/0.1uF)
C212	CCUI1C104KC	CAP , CHIP (1005, 16V/0.1uF)
C213	CCUI1C104KC	CAP , CHIP (1005, 16V/0.1uF)
C214	CCUI1C104KC	CAP , CHIP (1005, 16V/0.1uF)
C216	CCUI1C104KC	CAP , CHIP (1005, 16V/0.1uF)
C217	CCUI1C104KC	CAP , CHIP (1005, 16V/0.1uF)
C218	CCUI1C104KC	CAP , CHIP (1005, 16V/0.1uF)
C219	CCUI1C104KC	CAP , CHIP (1005, 16V/0.1uF)
C220	CCUI1C104KC	CAP , CHIP (1005, 16V/0.1uF)
C221	CCUI1C104KC	CAP , CHIP (1005, 16V/0.1uF)
C222	CCUI1C104KC	CAP , CHIP (1005, 16V/0.1uF)
C223	CCUI1C104KC	CAP , CHIP (1005, 16V/0.1uF)
C224	CCUI1C104KC	CAP , CHIP (1005, 16V/0.1uF)
C225	CCUI1C104KC	CAP , CHIP (1005, 16V/0.1uF)
C227	CCUI1C104KC	CAP , CHIP (1005, 16V/0.1uF)
C229	CCUI1C104KC	CAP , CHIP (1005, 16V/0.1uF)
C230	CCSNA0J220B	CAP , CHIP TANTAL(22uF/6.3V, NingXia XingRi)
C231	CCUI1C104KC	CAP , CHIP (1005, 16V/0.1uF)
C232	CCUI1C104KC	CAP , CHIP (1005, 16V/0.1uF)

Reference Designator	Part Number	Description
INPUT PCB ASS'Y COP12327D		
C233	CCUI1C104KC	CAP , CHIP (1005, 16V/0.1uF)
C234	CCUI1C104KC	CAP , CHIP (1005, 16V/0.1uF)
C235	CCUI1C104KC	CAP , CHIP (1005, 16V/0.1uF)
C236	CCUI1C104KC	CAP , CHIP (1005, 16V/0.1uF)
C237	CCUI1C104KC	CAP , CHIP (1005, 16V/0.1uF)
C238	CCUI1C104KC	CAP , CHIP (1005, 16V/0.1uF)
C239	CCUI1C104KC	CAP , CHIP (1005, 16V/0.1uF)
C243	CCUI1C104KC	CAP , CHIP (1005, 16V/0.1uF)
C244	CCUI1C104KC	CAP , CHIP (1005, 16V/0.1uF)
C245	CCSNA1C100B	CAP , CHIP TANTAL(10uF/16V, NingXia XingRi)
C246	CCUI1C104KC	CAP , CHIP (1005, 16V/0.1uF)
C248	CCUI1C104KC	CAP , CHIP (1005, 16V/0.1uF)
C249	CCUI1C104KC	CAP , CHIP (1005, 16V/0.1uF)
C250	CCUI1C104KC	CAP , CHIP (1005, 16V/0.1uF)
C251	CCUI1C104KC	CAP , CHIP (1005, 16V/0.1uF)
C255	CCUI1C104KC	CAP , CHIP (1005, 16V/0.1uF)
C256	CCUI1C104KC	CAP , CHIP (1005, 16V/0.1uF)
C257	CCUI1C104KC	CAP , CHIP (1005, 16V/0.1uF)
C258	CCUI1C104KC	CAP , CHIP (1005, 16V/0.1uF)
C259	CCUI1C104KC	CAP , CHIP (1005, 16V/0.1uF)
C263	CCUI1C104KC	CAP , CHIP (1005, 16V/0.1uF)
C264	CCUI1C104KC	CAP , CHIP (1005, 16V/0.1uF)
C266	CCUI1C104KC	CAP , CHIP (1005, 16V/0.1uF)
C267	CCUI1C104KC	CAP , CHIP (1005, 16V/0.1uF)
C268	CCUI1C104KC	CAP , CHIP (1005, 16V/0.1uF)
C269	CCUI1C104KC	CAP , CHIP (1005, 16V/0.1uF)
C270	CCUI1C104KC	CAP , CHIP (1005, 16V/0.1uF)
C271	CCUI1C104KC	CAP , CHIP (1005, 16V/0.1uF)
C274	CCUI1C104KC	CAP , CHIP (1005, 16V/0.1uF)
C275	CCUI1C104KC	CAP , CHIP (1005, 16V/0.1uF)
C276	CCUI1C104KC	CAP , CHIP (1005, 16V/0.1uF)
C277	CCUI1C104KC	CAP , CHIP (1005, 16V/0.1uF)
C280	CCSNA0J220B	CAP , CHIP TANTAL(22uF/6.3V, NingXia XingRi)
C283	CCUI1C104KC	CAP , CHIP (1005, 16V/0.1uF)
C284	CCUI1C104KC	CAP , CHIP (1005, 16V/0.1uF)
C285	CCUI1C104KC	CAP , CHIP (1005, 16V/0.1uF)
C287	CCSNA1C100B	CAP , CHIP TANTAL(10uF/16V, NingXia XingRi)
C288	CCUI1C104KC	CAP , CHIP (1005, 16V/0.1uF)
C289	CCUI1C104KC	CAP , CHIP (1005, 16V/0.1uF)
C290	CCUI1C104KC	CAP , CHIP (1005, 16V/0.1uF)
C295	CCUI1C104KC	CAP , CHIP (1005, 16V/0.1uF)
C296	CCUI1C104KC	CAP , CHIP (1005, 16V/0.1uF)
C297	CCUI1C104KC	CAP , CHIP (1005, 16V/0.1uF)
C298	CCSNA1C100B	CAP , CHIP TANTAL(10uF/16V, NingXia XingRi)
C300	CCUI1C104KC	CAP , CHIP (1005, 16V/0.1uF)
C301	CCUI1C104KC	CAP , CHIP (1005, 16V/0.1uF)
C302	CCUI1C104KC	CAP , CHIP (1005, 16V/0.1uF)
C303	CCUI1C104KC	CAP , CHIP (1005, 16V/0.1uF)
C305	CCUI1C104KC	CAP , CHIP (1005, 16V/0.1uF)
C306	CCUI1C104KC	CAP , CHIP (1005, 16V/0.1uF)
C307	CCUI1C104KC	CAP , CHIP (1005, 16V/0.1uF)
C308	CCUI1C104KC	CAP , CHIP (1005, 16V/0.1uF)
C309	CCUI1C104KC	CAP , CHIP (1005, 16V/0.1uF)

Reference Designator	Part Number	Description
INPUT PCB ASS'Y COP12327D		
C310	CCUI1C104KC	CAP , CHIP (1005, 16V/0.1uF)
C312	CCSNA1C100B	CAP , CHIP TANTAL(10uF/16V, NingXia XingRi)
C314	CCUI1C104KC	CAP , CHIP (1005, 16V/0.1uF)
C315	CCUI1C104KC	CAP , CHIP (1005, 16V/0.1uF)
C316	CCUI1C104KC	CAP , CHIP (1005, 16V/0.1uF)
C317	CCUI1C104KC	CAP , CHIP (1005, 16V/0.1uF)
C318	CCUI1C104KC	CAP , CHIP (1005, 16V/0.1uF)
C320	CCSNA0J220B	CAP , CHIP TANTAL(22uF/6.3V, NingXia XingRi)
C322	CCUI1C104KC	CAP , CHIP (1005, 16V/0.1uF)
C323	CCUI1E103KC	CAP, CHIP(1005, 25V/0.01uF)
C324	CCUI1C104KC	CAP , CHIP (1005, 16V/0.1uF)
C325	CCUI1C104KC	CAP , CHIP (1005, 16V/0.1uF)
C326	CCUI1C104KC	CAP , CHIP (1005, 16V/0.1uF)
C328	CCSNA0J220B	CAP , CHIP TANTAL(22uF/6.3V, NingXia XingRi)
C329	CCUI1C104KC	CAP , CHIP (1005, 16V/0.1uF)
C330	CCUI1E103KC	CAP, CHIP(1005, 25V/0.01uF)
C331	CCUI1C104KC	CAP , CHIP (1005, 16V/0.1uF)
C332	CCUI1C104KC	CAP , CHIP (1005, 16V/0.1uF)
C333	CCSNA1C100B	CAP , CHIP TANTAL(10uF/16V, NingXia XingRi)
C334	CCSNA1C100B	CAP , CHIP TANTAL(10uF/16V, NingXia XingRi)
C335	CCUI1C104KC	CAP , CHIP (1005, 16V/0.1uF)
C336	CCUI1C104KC	CAP , CHIP (1005, 16V/0.1uF)
C337	CCUI1E103KC	CAP, CHIP(1005, 25V/0.01uF)
C338	CCUI1C104KC	CAP , CHIP (1005, 16V/0.1uF)
C339	CCUI1C104KC	CAP , CHIP (1005, 16V/0.1uF)
C340	CCUI1E103KC	CAP, CHIP(1005, 25V/0.01uF)
C342	CCUI1C104KC	CAP , CHIP (1005, 16V/0.1uF)
C343	CCUI1C104KC	CAP , CHIP (1005, 16V/0.1uF)
C344	CCUI1C104KC	CAP , CHIP (1005, 16V/0.1uF)
C345	CCUI1C104KC	CAP , CHIP (1005, 16V/0.1uF)
C346	CCUI1E103KC	CAP, CHIP(1005, 25V/0.01uF)
C348	CCSNA0J220B	CAP , CHIP TANTAL(22uF/6.3V, NingXia XingRi)
C349	CCSNA1C100B	CAP , CHIP TANTAL(10uF/16V, NingXia XingRi)
C351	CCUI1C104KC	CAP , CHIP (1005, 16V/0.1uF)
C352	CCUI1E103KC	CAP, CHIP(1005, 25V/0.01uF)
C353	CCUI1C104KC	CAP , CHIP (1005, 16V/0.1uF)
C354	CCUI1C104KC	CAP , CHIP (1005, 16V/0.1uF)
C355	CCUI1C104KC	CAP , CHIP (1005, 16V/0.1uF)
C357	CCUI1C104KC	CAP , CHIP (1005, 16V/0.1uF)
C358	CCUI1C104KC	CAP , CHIP (1005, 16V/0.1uF)
C359	CCUI1C104KC	CAP , CHIP (1005, 16V/0.1uF)
C361	CCSNA1C100B	CAP , CHIP TANTAL(10uF/16V, NingXia XingRi)
C362	CCSNA1C100B	CAP , CHIP TANTAL(10uF/16V, NingXia XingRi)
C363	CCUI1C104KC	CAP , CHIP (1005, 16V/0.1uF)
C364	CCUI1C104KC	CAP , CHIP (1005, 16V/0.1uF)
C366	CCUI1C104KC	CAP , CHIP (1005, 16V/0.1uF)
C367	CCUI1C104KC	CAP , CHIP (1005, 16V/0.1uF)
C369	CCUI1C104KC	CAP , CHIP (1005, 16V/0.1uF)
C370	CCUI1C104KC	CAP , CHIP (1005, 16V/0.1uF)
C371	CCUI1C104KC	CAP , CHIP (1005, 16V/0.1uF)
C372	CCUI1C104KC	CAP , CHIP (1005, 16V/0.1uF)
C373	CCUI1C104KC	CAP , CHIP (1005, 16V/0.1uF)
C375	CCSNA1C100B	CAP , CHIP TANTAL(10uF/16V, NingXia XingRi)

Reference Designator	Part Number	Description
INPUT PCB ASS'Y COP12327D		
C376	CCSNA1C100B	CAP , CHIP TANTAL(10uF/16V, NingXia XingRi)
C378	CCUI1C104KC	CAP , CHIP (1005, 16V/0.1uF)
C379	CCUI1C104KC	CAP , CHIP (1005, 16V/0.1uF)
C380	CCUI1C104KC	CAP , CHIP (1005, 16V/0.1uF)
C381	CCUI1C104KC	CAP , CHIP (1005, 16V/0.1uF)
C382	CCUI1C104KC	CAP , CHIP (1005, 16V/0.1uF)
C383	CCSNA1C100B	CAP , CHIP TANTAL(10uF/16V, NingXia XingRi)
C384	CCUI1C104KC	CAP , CHIP (1005, 16V/0.1uF)
C385	CCUI1C104KC	CAP , CHIP (1005, 16V/0.1uF)
C386	CCUI1C104KC	CAP , CHIP (1005, 16V/0.1uF)
C387	CCUI1C104KC	CAP , CHIP (1005, 16V/0.1uF)
C388	CCUI1C104KC	CAP , CHIP (1005, 16V/0.1uF)
C390	CCUI1C104KC	CAP , CHIP (1005, 16V/0.1uF)
C391	CCUI1C104KC	CAP , CHIP (1005, 16V/0.1uF)
C392	CCUI1C104KC	CAP , CHIP (1005, 16V/0.1uF)
C393	CCUI1C104KC	CAP , CHIP (1005, 16V/0.1uF)
C394	CCUI1C104KC	CAP , CHIP (1005, 16V/0.1uF)
C395	CCSNA0J220B	CAP , CHIP TANTAL(22uF/6.3V, NingXia XingRi)
C396	CCUI1C104KC	CAP , CHIP (1005, 16V/0.1uF)
C398	CCUI1C104KC	CAP , CHIP (1005, 16V/0.1uF)
C399	CCUI1C104KC	CAP , CHIP (1005, 16V/0.1uF)
C403	CCSNA0J220B	CAP , CHIP TANTAL(22uF/6.3V, NingXia XingRi)
C406	CCUI1C104KC	CAP , CHIP (1005, 16V/0.1uF)
C408	CCSNA1C100B	CAP , CHIP TANTAL(10uF/16V, NingXia XingRi)
C409	CCUI1C104KC	CAP , CHIP (1005, 16V/0.1uF)
C411	CCUI1C104KC	CAP , CHIP (1005, 16V/0.1uF)
C413	CCUI1C104KC	CAP , CHIP (1005, 16V/0.1uF)
C415	CCSNA0J220B	CAP , CHIP TANTAL(22uF/6.3V, NingXia XingRi)
C418	CCUS1H103KC	CAP, CHIP(1608, 50V/0.01uF)
C419	CCUI1C104KC	CAP , CHIP (1005, 16V/0.1uF)
C420	CCUI1C104KC	CAP , CHIP (1005, 16V/0.1uF)
C423	CCUI1C104KC	CAP , CHIP (1005, 16V/0.1uF)
C425	CCUI1C104KC	CAP , CHIP (1005, 16V/0.1uF)
C426	CCSNA1C100B	CAP , CHIP TANTAL(10uF/16V, NingXia XingRi)
C427	CCSNA0J220B	CAP , CHIP TANTAL(22uF/6.3V, NingXia XingRi)
C429	CCUI1C104KC	CAP , CHIP (1005, 16V/0.1uF)
C430	CCUI1C104KC	CAP , CHIP (1005, 16V/0.1uF)
C436	CCUI1C104KC	CAP , CHIP (1005, 16V/0.1uF)
C438	CCUI1C104KC	CAP , CHIP (1005, 16V/0.1uF)
C440	CCUS1H104KC	CAP, CHIP(1608, 50V/0.1uF)
C442	CCUI1C104KC	CAP , CHIP (1005, 16V/0.1uF)
C443	CCUI1C104KC	CAP , CHIP (1005, 16V/0.1uF)
C445	CCUI1E103KC	CAP, CHIP(1005, 25V/0.01uF)
C446	CCSNA0J220B	CAP , CHIP TANTAL(22uF/6.3V, NingXia XingRi)
C450	CCUS1H104KC	CAP, CHIP(1608, 50V/0.1uF)
C453	CCUI1C104KC	CAP , CHIP (1005, 16V/0.1uF)
C454	CCUI1C104KC	CAP , CHIP (1005, 16V/0.1uF)
C455	CCUI1C104KC	CAP , CHIP (1005, 16V/0.1uF)
C457	CCUI1C104KC	CAP , CHIP (1005, 16V/0.1uF)
C460	CCSNA0J220B	CAP , CHIP TANTAL(22uF/6.3V, NingXia XingRi)
C462	CCUS1H104KC	CAP, CHIP(1608, 50V/0.1uF)
C464	CCUI1C104KC	CAP , CHIP (1005, 16V/0.1uF)
C467	CCUI1C104KC	CAP , CHIP (1005, 16V/0.1uF)

Reference Designator	Part Number	Description
INPUT PCB ASS'Y COP12327D		
C468	CCUI1C104KC	CAP , CHIP (1005, 16V/0.1uF)
C470	CCUS1H104KC	CAP , CHIP(1608, 50V/0.1uF)
C471	CCUI1C104KC	CAP , CHIP (1005, 16V/0.1uF)
C475	CCSNA0J220B	CAP , CHIP TANTAL(22uF/6.3V, NingXia XingRi)
C479	CCUI1C104KC	CAP , CHIP (1005, 16V/0.1uF)
C480	CCUI1C104KC	CAP , CHIP (1005, 16V/0.1uF)
C482	CCUI1C104KC	CAP , CHIP (1005, 16V/0.1uF)
C483	CCUI1C104KC	CAP , CHIP (1005, 16V/0.1uF)
C490	CCSNA1C100B	CAP , CHIP TANTAL(10uF/16V, NingXia XingRi)
C491	CCUI1C104KC	CAP , CHIP (1005, 16V/0.1uF)
C498	CCUS1H104KC	CAP , CHIP(1608, 50V/0.1uF)
C501	CCSNA1C100B	CAP , CHIP TANTAL(10uF/16V, NingXia XingRi)
C508	CCUS1H104KC	CAP , CHIP(1608, 50V/0.1uF)
C514	CCUS1H104KC	CAP , CHIP(1608, 50V/0.1uF)
C516	CCUS1H104KC	CAP , CHIP(1608, 50V/0.1uF)
C519	CCSNA1C100B	CAP , CHIP TANTAL(10uF/16V, NingXia XingRi)
C522	CCUS1H104KC	CAP , CHIP(1608, 50V/0.1uF)
C523	CCSNA0J220B	CAP , CHIP TANTAL(22uF/6.3V, NingXia XingRi)
C525	CCUS1H104KC	CAP , CHIP(1608, 50V/0.1uF)
C529	CCUS1H104KC	CAP , CHIP(1608, 50V/0.1uF)
C530	CCUS1H104KC	CAP , CHIP(1608, 50V/0.1uF)
C532	CCSNA1C100B	CAP , CHIP TANTAL(10uF/16V, NingXia XingRi)
C533	CCUS1H103KC	CAP , CHIP(1608, 50V/0.01uF)
C536	CCUI1C104KC	CAP , CHIP (1005, 16V/0.1uF)
C537	CCSNA0J220B	CAP , CHIP TANTAL(22uF/6.3V, NingXia XingRi)
C538	CCSNA1C100B	CAP , CHIP TANTAL(10uF/16V, NingXia XingRi)
C545	CCUS1H103KC	CAP , CHIP(1608, 50V/0.01uF)
C546	CCUS1H103KC	CAP , CHIP(1608, 50V/0.01uF)
C547	CCUS1H103KC	CAP , CHIP(1608, 50V/0.01uF)
C549	CCUS1H103KC	CAP , CHIP(1608, 50V/0.01uF)
C551	CCUS1H103KC	CAP , CHIP(1608, 50V/0.01uF)
C552	CCUS1H103KC	CAP , CHIP(1608, 50V/0.01uF)
C553	CCUS1H103KC	CAP , CHIP(1608, 50V/0.01uF)
C555	CCUI1E103KC	CAP , CHIP(1005, 25V/0.01uF)
D905	HVDUDZS5.1BSR	DIODE , ZENER (CHIP,5.1V)
IC910	HVIKIC7SZ08FU	I.C ,INPUT AND GATE (USV PACKAGE)KIC7SZ08FU-RTK
L803	CLZ9R005Z	FERRITE CHIP BEAD(1608/60ohm) HCB1608KF-600T30/COILMASTER
L804	CLZ9R005Z	FERRITE CHIP BEAD(1608/60ohm) HCB1608KF-600T30/COILMASTER
L805	CLZ9R005Z	FERRITE CHIP BEAD(1608/60ohm) HCB1608KF-600T30/COILMASTER
L806	CLZ9R005Z	FERRITE CHIP BEAD(1608/60ohm) HCB1608KF-600T30/COILMASTER
L807	CLZ9R005Z	FERRITE CHIP BEAD(1608/60ohm) HCB1608KF-600T30/COILMASTER
L812	CLZ9R005Z	FERRITE CHIP BEAD(1608/60ohm) HCB1608KF-600T30/COILMASTER
L813	CLZ9R005Z	FERRITE CHIP BEAD(1608/60ohm) HCB1608KF-600T30/COILMASTER
L816	CLZ9R005Z	FERRITE CHIP BEAD(1608/60ohm) HCB1608KF-600T30/COILMASTER
L818	CLZ9R005Z	FERRITE CHIP BEAD(1608/60ohm) HCB1608KF-600T30/COILMASTER
L819	CLZ9R005Z	FERRITE CHIP BEAD(1608/60ohm) HCB1608KF-600T30/COILMASTER
L820	CLZ9R005Z	FERRITE CHIP BEAD(1608/60ohm) HCB1608KF-600T30/COILMASTER
L821	CLZ9R005Z	FERRITE CHIP BEAD(1608/60ohm) HCB1608KF-600T30/COILMASTER
L822	CLZ9Z014Z	FERRITE , CHIP BEAD(60ohm, 4516) HCB4516KF-600T60/COILMASTER
L823	CLZ9R005Z	FERRITE CHIP BEAD(1608/60ohm) HCB1608KF-600T30/COILMASTER
L824	CLZ9Z014Z	FERRITE , CHIP BEAD(60ohm, 4516) HCB4516KF-600T60/COILMASTER
L825	CLZ9R005Z	FERRITE CHIP BEAD(1608/60ohm) HCB1608KF-600T30/COILMASTER
L826	CLZ9R005Z	FERRITE CHIP BEAD(1608/60ohm) HCB1608KF-600T30/COILMASTER

Reference Designator	Part Number	Description
INPUT PCB ASS'Y COP12327D		
L827	CLZ9Z014Z	FERRITE , CHIP BEAD(60ohm, 4516) HCB4516KF-600T60/COILMASTER
L828	CLZ9R005Z	FERRITE CHIP BEAD(1608/60ohm) HCB1608KF-600T30/COILMASTER
L829	CLZ9R005Z	FERRITE CHIP BEAD(1608/60ohm) HCB1608KF-600T30/COILMASTER
L830	CLZ9R005Z	FERRITE CHIP BEAD(1608/60ohm) HCB1608KF-600T30/COILMASTER
L831	CLZ9R005Z	FERRITE CHIP BEAD(1608/60ohm) HCB1608KF-600T30/COILMASTER
L832	CLZ9R005Z	FERRITE CHIP BEAD(1608/60ohm) HCB1608KF-600T30/COILMASTER
L833	CLZ9R005Z	FERRITE CHIP BEAD(1608/60ohm) HCB1608KF-600T30/COILMASTER
L835	CLZ9Z014Z	FERRITE , CHIP BEAD(60ohm, 4516) HCB4516KF-600T60/COILMASTER
L837	CLZ9R005Z	FERRITE CHIP BEAD(1608/60ohm) HCB1608KF-600T30/COILMASTER
L838	CLZ9Z014Z	FERRITE , CHIP BEAD(60ohm, 4516) HCB4516KF-600T60/COILMASTER
L840	CLZ9R005Z	FERRITE CHIP BEAD(1608/60ohm) HCB1608KF-600T30/COILMASTER
L841	CLZ9R005Z	FERRITE CHIP BEAD(1608/60ohm) HCB1608KF-600T30/COILMASTER
L843	CLZ9R005Z	FERRITE CHIP BEAD(1608/60ohm) HCB1608KF-600T30/COILMASTER
L844	CLZ9Z014Z	FERRITE , CHIP BEAD(60ohm, 4516) HCB4516KF-600T60/COILMASTER
L847	CLZ9Z014Z	FERRITE , CHIP BEAD(60ohm, 4516) HCB4516KF-600T60/COILMASTER
L857	CLZ9Z014Z	FERRITE , CHIP BEAD(60ohm, 4516) HCB4516KF-600T60/COILMASTER
L861	CLZ9Z014Z	FERRITE , CHIP BEAD(60ohm, 4516) HCB4516KF-600T60/COILMASTER
L864	CLZ9Z014Z	FERRITE , CHIP BEAD(60ohm, 4516) HCB4516KF-600T60/COILMASTER
Q913	CVTKRC103S	TRANSISTOR , CHIP , SOT-23 KRC103S
Q914	CVTKRC103S	TRANSISTOR , CHIP , SOT-23 KRC103S
Q915	CVTKRC103S	TRANSISTOR , CHIP , SOT-23 KRC103S
Q916	CVTUPA672T	F.E.T (NEC) UPA672T
RN13	CRJ064IJ330T	RES, CHIP(1005/5%/33ohm*4)
RN32	CRJ064IJ330T	RES, CHIP(1005/5%/33ohm*4)
RN36	CRJ064IJ0R0T	RES, CHIP(1005/5%/0ohm*4)
RN40	CRJ064IJ0R0T	RES, CHIP(1005/5%/0ohm*4)
RN41	CRJ064IJ0R0T	RES, CHIP(1005/5%/0ohm*4)
RN45	CRJ064IJ0R0T	RES, CHIP(1005/5%/0ohm*4)
RN47	CRJ064IJ103T	RES, CHIP(1005/5%/10Kohm*4)
RN50	CRJ064IJ0R0T	RES, CHIP(1005/5%/0ohm*4)
RN52	CRJ062IJ330T	RES, CHIP(1005/5%/33ohm*2)
RN82	CRJ064IJ330T	RES, CHIP(1005/5%/33ohm*4)
RN83	CRJ064IJ330T	RES, CHIP(1005/5%/33ohm*4)
RN84	CRJ064IJ330T	RES, CHIP(1005/5%/33ohm*4)
RN85	CRJ064IJ330T	RES, CHIP(1005/5%/33ohm*4)
RN86	CRJ064IJ330T	RES, CHIP(1005/5%/33ohm*4)
RN87	CRJ064IJ330T	RES, CHIP(1005/5%/33ohm*4)
RN88	CRJ064IJ330T	RES, CHIP(1005/5%/33ohm*4)
RN89	CRJ064IJ330T	RES, CHIP(1005/5%/33ohm*4)
RN90	CRJ064IJ330T	RES, CHIP(1005/5%/33ohm*4)
RN91	CRJ064IJ330T	RES, CHIP(1005/5%/33ohm*4)
R602	CRJ10DJ103T	RES, CHIP(1608/5%/10Kohm)
R603	CRJ10DJ103T	RES, CHIP(1608/5%/10Kohm)
R605	CRJ10DJ0R0T	RES, CHIP(1608/5%/0ohm)
R608	CRJ10DJ0R0T	RES, CHIP(1608/5%/0ohm)
R609	CRJ10DJ222T	RES, CHIP(1608/5%/2.2Kohm)
R612	CRJ10DJ0R0T	RES, CHIP(1608/5%/0ohm)
R614	CRJ10DJ222T	RES, CHIP(1608/5%/2.2Kohm)
R615	CRJ10DJ0R0T	RES, CHIP(1608/5%/0ohm)
R619	CRJ10DJ0R0T	RES, CHIP(1608/5%/0ohm)
R622	CRJ10DJ0R0T	RES, CHIP(1608/5%/0ohm)
R623	CRJ10DJ222T	RES, CHIP(1608/5%/2.2Kohm)
R624	CRJ10DJ102T	RES, CHIP(1608/5%/1Kohm)

Reference Designator	Part Number	Description
INPUT PCB ASS'Y COP12327D		
R629	CRJ10DJ101T	RES, CHIP(1608/5%/100ohm)
R631	CRJ10DJ102T	RES, CHIP(1608/5%/1Kohm)
R634	CRJ10DJ101T	RES, CHIP(1608/5%/100ohm)
R637	CRJ10DJ102T	RES, CHIP(1608/5%/1Kohm)
R639	CRJ10DJ102T	RES, CHIP(1608/5%/1Kohm)
R648	CRJ10DJ101T	RES, CHIP(1608/5%/100ohm)
R652	CRJ10DJ101T	RES, CHIP(1608/5%/100ohm)
R656	CRJ10DJ473T	RES, CHIP(1608/5%/47Kohm)
R657	CRJ10DJ101T	RES, CHIP(1608/5%/100ohm)
R660	CRJ10DJ102T	RES, CHIP(1608/5%/1Kohm)
R663	CRJ10DJ510T	RES, CHIP(1608/5%/51ohm)
R664	CRJ10DJ103T	RES, CHIP(1608/5%/10Kohm)
R667	CRJ10DJ510T	RES, CHIP(1608/5%/51ohm)
R668	CRJ10DJ103T	RES, CHIP(1608/5%/10Kohm)
R670	CRJ06IJ0R0T	RES, CHIP(1005/5%/0ohm)
R672	CRJ06IJ0R0T	RES, CHIP(1005/5%/0ohm)
R674	CRJ06IJ330T	RES, CHIP(1005/5%/33ohm)
R675	CRJ06IJ472T	RES, CHIP(1005/5%/4.7Kohm)
R677	CRJ06IJ271T	RES, CHIP(1005/5%/270ohm)
R678	CRJ10DJ510T	RES, CHIP(1608/5%/51ohm)
R681	CRJ06IJ102T	RES, CHIP(1005/5%/1Kohm)
R682	CRJ06IJ220T	RES, CHIP(1005/5%/22ohm)
R687	CRJ06IJ102T	RES, CHIP(1005/5%/1Kohm)
R688	CRJ06IJ220T	RES, CHIP(1005/5%/22ohm)
R690	CRJ10DJ510T	RES, CHIP(1608/5%/51ohm)
R692	CRJ06IJ0R0T	RES, CHIP(1005/5%/0ohm)
R693	CRJ06IJ102T	RES, CHIP(1005/5%/1Kohm)
R694	CRJ10DJ472T	RES, CHIP(1608/5%/4.7Kohm)
R695	CRJ10DJ510T	RES, CHIP(1608/5%/51ohm)
R696	CRJ10DJ472T	RES, CHIP(1608/5%/4.7Kohm)
R697	CRJ10DJ510T	RES, CHIP(1608/5%/51ohm)
R707	CRJ10DJ472T	RES, CHIP(1608/5%/4.7Kohm)
R709	CRJ10DJ103T	RES, CHIP(1608/5%/10Kohm)
R711	CRJ06IJ330T	RES, CHIP(1005/5%/33ohm)
R713	CRJ10DJ510T	RES, CHIP(1608/5%/51ohm)
R714	CRJ10DJ510T	RES, CHIP(1608/5%/51ohm)
R715	CRJ10DJ510T	RES, CHIP(1608/5%/51ohm)
R717	CRJ06IJ103T	RES, CHIP(1005/5%/10Kohm)
R720	CRJ06IJ103T	RES, CHIP(1005/5%/10Kohm)
R729	CRJ06IJ103T	RES, CHIP(1005/5%/10Kohm)
R731	CRJ06IJ472T	RES, CHIP(1005/5%/4.7Kohm)
R733	CRJ06IJ103T	RES, CHIP(1005/5%/10Kohm)
R734	CRJ06IJ472T	RES, CHIP(1005/5%/4.7Kohm)
R737	CRJ06IJ472T	RES, CHIP(1005/5%/4.7Kohm)
R743	CRJ10DF2800T	RES, CHIP(1608/1%/280ohm)
R745	CRJ06IJ0R0T	RES, CHIP(1005/5%/0ohm)
R748	CRJ10DF2800T	RES, CHIP(1608/1%/280ohm)
R756	CRJ06IJ472T	RES, CHIP(1005/5%/4.7Kohm)
R757	CRJ06IJ472T	RES, CHIP(1005/5%/4.7Kohm)
R760	CRJ06IJ220T	RES, CHIP(1005/5%/22ohm)
R771	CRJ10DF4R99T	RES, CHIP(1608/1%/4.99ohm)
R774	CRJ06IJ182T	RES, CHIP(1005/5%/1.8Kohm)
R777	CRJ10DF49R9T	RES, CHIP(1608/1%/49.9ohm)

Reference Designator	Part Number	Description
INPUT PCB ASS'Y COP12327D		
R780	CRJ06IJ182T	RES, CHIP(1005/5%/1.8Kohm)
R785	CRJ10DF49R9T	RES, CHIP(1608/1%/49.9ohm)
R793	CRJ06IJ0R0T	RES, CHIP(1005/5%/0ohm)
R795	CRJ10DF49R9T	RES, CHIP(1608/1%/49.9ohm)
R797	CRJ06IJ0R0T	RES, CHIP(1005/5%/0ohm)
R799	CRJ10DF49R9T	RES, CHIP(1608/1%/49.9ohm)
R804	CRJ06IJ220T	RES, CHIP(1005/5%/22ohm)
R822	CRJ06IJ182T	RES, CHIP(1005/5%/1.8Kohm)
R830	CRJ10DJ0R0T	RES, CHIP(1608/5%/0ohm)
R836	CRJ06IJ182T	RES, CHIP(1005/5%/1.8Kohm)
R860	CRJ10DJ330T	RES, CHIP(1608/5%/33ohm)
R863	CRJ10DJ330T	RES, CHIP(1608/5%/33ohm)
R866	CRJ10DJ103T	RES, CHIP(1608/5%/10Kohm)
R867	CRJ10DJ103T	RES, CHIP(1608/5%/10Kohm)
R871	CRJ10DJ330T	RES, CHIP(1608/5%/33ohm)
R875	CRJ10DJ101T	RES, CHIP(1608/5%/100ohm)
R878	CRJ10DJ222T	RES, CHIP(1608/5%/2.2Kohm)
C103	CCUI1E103KC	CAP, CHIP(1005, 25V/0.01uF)
C112	CCUI1C104KC	CAP, CHIP(1005, 16V/0.1uF)
C114	CCUI1C104KC	CAP, CHIP(1005, 16V/0.1uF)
C139	CCUC0J106KC	CAP, CHIP(2012, 6.3V/10uF)
C143	CCUS1H470JA	CAP, CHIP(1608, 50V/47pF)
C145	CCUS1H470JA	CAP, CHIP(1608, 50V/47pF)
C146	CCUS1H104KC	CAP, CHIP(1608, 50V/0.1uF)
C147	CCUS1H104KC	CAP, CHIP(1608, 50V/0.1uF)
C148	CCUS1H104KC	CAP, CHIP(1608, 50V/0.1uF)
C150	CCUS1H104KC	CAP, CHIP(1608, 50V/0.1uF)
C151	CCUS1H104KC	CAP, CHIP(1608, 50V/0.1uF)
C155	CCUI1C104KC	CAP, CHIP(1005, 16V/0.1uF)
C157	CCUI1C104KC	CAP, CHIP(1005, 16V/0.1uF)
C167	CCUI1C104KC	CAP, CHIP(1005, 16V/0.1uF)
C182	CCUI1C104KC	CAP, CHIP(1005, 16V/0.1uF)
C185	CCSNA0J220B	CAP, CHIP TANTAL(22uF/6.3V, NingXia XingRi)
C199	CCUS1H270JA	CAP, CHIP(1608, 50V/27pF)
C205	CCSNA1C100B	CAP, CHIP TANTAL(10uF/16V, NingXia XingRi)
C207	CCSNA1C100B	CAP, CHIP TANTAL(10uF/16V, NingXia XingRi)
C209	CCUS1H220JA	CAP, CHIP(1608, 50V/22pF)
C210	CCUI1C104KC	CAP, CHIP(1005, 16V/0.1uF)
C226	CCUI1C104KC	CAP, CHIP(1005, 16V/0.1uF)
C240	CCUI1C104KC	CAP, CHIP(1005, 16V/0.1uF)
C241	CCUI1C104KC	CAP, CHIP(1005, 16V/0.1uF)
C247	CCUI1C104KC	CAP, CHIP(1005, 16V/0.1uF)
C252	CCSNA1C100B	CAP, CHIP TANTAL(10uF/16V, NingXia XingRi)
C253	CCUC0J106KC	CAP, CHIP(2012, 6.3V/10uF)
C254	CCUI1C104KC	CAP, CHIP(1005, 16V/0.1uF)
C260	CCUI1C104KC	CAP, CHIP(1005, 16V/0.1uF)
C261	CCUI1C104KC	CAP, CHIP(1005, 16V/0.1uF)
C262	CCUI1C104KC	CAP, CHIP(1005, 16V/0.1uF)
C265	CCUI1C104KC	CAP, CHIP(1005, 16V/0.1uF)
C272	CCUI1C104KC	CAP, CHIP(1005, 16V/0.1uF)
C273	CCUI1C104KC	CAP, CHIP(1005, 16V/0.1uF)
C278	CCUI1C104KC	CAP, CHIP(1005, 16V/0.1uF)
C279	CCUI1C104KC	CAP, CHIP(1005, 16V/0.1uF)

Reference Designator	Part Number	Description
INPUT PCB ASS'Y COP12327D		
C281	CCUI1C104KC	CAP , CHIP (1005, 16V/0.1uF)
C282	CCUI1C104KC	CAP , CHIP (1005, 16V/0.1uF)
C286	CCUI1H470JA	CAP, CHIP(1005, 50V/47pF)
C291	CCUI1H470JA	CAP, CHIP(1005, 50V/47pF)
C292	CCUI1C104KC	CAP , CHIP (1005, 16V/0.1uF)
C293	CCUI1C104KC	CAP , CHIP (1005, 16V/0.1uF)
C294	CCUI1C104KC	CAP , CHIP (1005, 16V/0.1uF)
C299	CCUI1C104KC	CAP , CHIP (1005, 16V/0.1uF)
C311	CCUI1C104KC	CAP , CHIP (1005, 16V/0.1uF)
C313	CCUI1C104KC	CAP , CHIP (1005, 16V/0.1uF)
C319	CCUI1C104KC	CAP , CHIP (1005, 16V/0.1uF)
C321	CCUI1C104KC	CAP , CHIP (1005, 16V/0.1uF)
C327	CCUI1C104KC	CAP , CHIP (1005, 16V/0.1uF)
C341	CCUI1C104KC	CAP , CHIP (1005, 16V/0.1uF)
C347	CCUI1C104KC	CAP , CHIP (1005, 16V/0.1uF)
C350	CCUI1C104KC	CAP , CHIP (1005, 16V/0.1uF)
C356	CCUI1C104KC	CAP , CHIP (1005, 16V/0.1uF)
C360	CCUI1C104KC	CAP , CHIP (1005, 16V/0.1uF)
C365	CCUI1C104KC	CAP , CHIP (1005, 16V/0.1uF)
C368	CCUI1C104KC	CAP , CHIP (1005, 16V/0.1uF)
C374	CCUI1C104KC	CAP , CHIP (1005, 16V/0.1uF)
C377	CCUI1C104KC	CAP , CHIP (1005, 16V/0.1uF)
C410	CCUS1H104KC	CAP, CHIP(1608, 50V/0.1uF)
C424	CCUS1H104KC	CAP, CHIP(1608, 50V/0.1uF)
C428	CCUS1A105KC	CAP, CHIP(1608, 10V/1uF)
C431	CCUI1C104KC	CAP , CHIP (1005, 16V/0.1uF)
C439	CCUS1A105KC	CAP, CHIP(1608, 10V/1uF)
C441	CCUI1C104KC	CAP , CHIP (1005, 16V/0.1uF)
C451	CCUI1C104KC	CAP , CHIP (1005, 16V/0.1uF)
C452	CCUI1C104KC	CAP , CHIP (1005, 16V/0.1uF)
C488	CCUI1C104KC	CAP , CHIP (1005, 16V/0.1uF)
C489	CCUS1H104KC	CAP, CHIP(1608, 50V/0.1uF)
C493	CCUS1H104KC	CAP, CHIP(1608, 50V/0.1uF)
C494	CCUI1C104KC	CAP , CHIP (1005, 16V/0.1uF)
C495	CCUS1H221JA	CAP, CHIP(1608, 50V/220pF)
C500	CCUS1H104KC	CAP, CHIP(1608, 50V/0.1uF)
C505	CCEC1CRV471T	CAP, SMD ELECT(16V/470uF) MANLEX RV, 10X10
C506	CCEC1ACEEX151TY	CAP , ELEC SMD (150uF/10V,8X10.5,SANYO)10CE150EX
C509	CCEC1ERV221T	CAP , SMD ELECT(MANLEX, RV, 25V/220, 8X10)
C510	CCEC1ERV221T	CAP , SMD ELECT(MANLEX, RV, 25V/220, 8X10)
C511	CCUS1H104KC	CAP, CHIP(1608, 50V/0.1uF)
C512	CCUS1H102KC	CAP, CHIP(1608, 50V/1000pF)
C513	CCUS1H102KC	CAP, CHIP(1608, 50V/1000pF)
C515	CCSNA1C100B	CAP , CHIP TANTAL(10uF/16V, NingXia XingRi)
C517	CCSNA1C100B	CAP , CHIP TANTAL(10uF/16V, NingXia XingRi)
C518	CCUS1H104KC	CAP, CHIP(1608, 50V/0.1uF)
C520	CCUS1H221JA	CAP, CHIP(1608, 50V/220pF)
C521	CCUS1H104KC	CAP, CHIP(1608, 50V/0.1uF)
C526	CCSNA1C100B	CAP , CHIP TANTAL(10uF/16V, NingXia XingRi)
C527	CCUS1H221JA	CAP, CHIP(1608, 50V/220pF)
C531	CCEC1ERV221T	CAP , SMD ELECT(MANLEX, RV, 25V/220, 8X10)
C534	CCEC1ERV221T	CAP , SMD ELECT(MANLEX, RV, 25V/220, 8X10)
C539	CCUS1H102KC	CAP, CHIP(1608, 50V/1000pF)

Reference Designator	Part Number	Description
INPUT PCB ASS'Y COP12327D		
C542	CCUS1H104KC	CAP, CHIP(1608, 50V/0.1uF)
C548	CCUS1H103KC	CAP, CHIP(1608, 50V/0.01uF)
D902	CVDSS34SR	DIODE, SCHOTTKY (40V,3A, DO-214AC) DELTA
D903	CVDSS34SR	DIODE, SCHOTTKY (40V,3A, DO-214AC) DELTA
D904	CVDSS34SR	DIODE, SCHOTTKY (40V,3A, DO-214AC) DELTA
IC901	CVIADV3014BSTZ	I.C, HDMI1.4 Repeater(LQFP-144P) ADV3014BSTZ
IC902	CVIADV7844KBCZ	I.C, HDMI RX/Decoder(BGA-425P) ADV7844KBCZ
IC903	CVITC74VCX541FT	I,C, OCTAL BUS BUFFER (TOSHIBA) TC74VCX541FT
IC904	CVIA3S56D40FTPG5	I.C, 256MB DDR SDRAM(TOSP11-66P) A3S56D40FTPG5
IC905	CVI74FCT38072DCGI	I.C, CLOCK DRIVER (IDT) IDT74FCT38072DCGI, IDT
IC906	CVIFLI30336AC	I.C, VIDEO PROCESSOR (GENESIS) FLI30336
IC907	CVIANAM1550AV	I.C, FLASH(CVIMX29LV320DTTI-70G)
IC907	CVIMX29LV320DTTI-70G	I.C, FLASH MEMORY (32MBIT,TSOP-48P) MX29LV320DTTI
IC908	CVIA3S56D40FTPG5	I.C, 256MB DDR SDRAM(TOSP11-66P) A3S56D40FTPG5
IC909	CVIA3S56D40FTPG5	I.C, 256MB DDR SDRAM(TOSP11-66P) A3S56D40FTPG5
IC911	CVI74ALVCH16827DGG	I.C,BUFFER/DEIVER(TSSOP-56P)74ALVCH16827DGG,118/NXP SEMI
IC912	CVI74ALVCH16827DGG	I.C,BUFFER/DEIVER(TSSOP-56P)74ALVCH16827DGG,118/NXP SEMI
IC915	CVI74ALVCH16827DGG	I.C,BUFFER/DEIVER(TSSOP-56P)74ALVCH16827DGG,118/NXP SEMI
IC916	CVI74ALVCH16827DGG	I.C,BUFFER/DEIVER(TSSOP-56P)74ALVCH16827DGG,118/NXP SEMI
IC917	CVINJU7754F05TE1	I.C, REGULATOR(SOT-23-5) NJU7754F05-TE1
IC918	CVIADV7511KSTZ	I.C, HDMI TX (LQFP-100P) ADV7511KSTZ
IC922	HVINJM2391DL125	I.C, CHIP REGULATOR (+2.5V) JRC NJM2391DL125
IC923	CVISI8005QTL	IC, DCDC Converter (3.5A, SOP8) SANKEN SI8005QTL
IC924	CVIKIA1117BS50	I.C, REGULATOR(SOT-223) KIA1117BS50
IC925	CVIKIA7809AF	IC, REGULATOR (+9V,DPAK) KIA7809AF
IC927	CVISI8005QTL	IC, DCDC Converter (3.5A, SOP8) SANKEN SI8005QTL
IC929	HVINJM2391DL125	I.C, CHIP REGULATOR (+2.5V) JRC NJM2391DL125
IC930	CVISI8005QTL	IC, DCDC Converter (3.5A, SOP8) SANKEN SI8005QTL
JK92	CJJ9H008Y	JACK, HDMI(TYPE-A, SMT-19P) H050FS019G643BY
JK93	CJJ9H008Y	JACK, HDMI(TYPE-A, SMT-19P) H050FS019G643BY
JK94	CJJ9H008Y	JACK, HDMI(TYPE-A, SMT-19P) H050FS019G643BY
JK95	CJJ9H008Y	JACK, HDMI(TYPE-A, SMT-19P) H050FS019G643BY
JK96	CJJ9H008Y	JACK, HDMI(TYPE-A, SMT-19P) H050FS019G643BY
JK97	CJJ9H008Y	JACK, HDMI(TYPE-A, SMT-19P) H050FS019G643BY
L801	CLZ9R005Z	FERRITE CHIP BEAD(1608/60ohm) HCB1608KF-600T30/COILMASTER
L802	CLZ9R005Z	FERRITE CHIP BEAD(1608/60ohm) HCB1608KF-600T30/COILMASTER
L808	CLZ9R005Z	FERRITE CHIP BEAD(1608/60ohm) HCB1608KF-600T30/COILMASTER
L809	CLZ9R005Z	FERRITE CHIP BEAD(1608/60ohm) HCB1608KF-600T30/COILMASTER
L810	CLZ9R005Z	FERRITE CHIP BEAD(1608/60ohm) HCB1608KF-600T30/COILMASTER
L811	CLZ9Z014Z	FERRITE, CHIP BEAD(60ohm, 4516) HCB4516KF-600T60/COILMASTER
L814	CLZ9R005Z	FERRITE CHIP BEAD(1608/60ohm) HCB1608KF-600T30/COILMASTER
L815	CLZ9R005Z	FERRITE CHIP BEAD(1608/60ohm) HCB1608KF-600T30/COILMASTER
L817	CLZ9R005Z	FERRITE CHIP BEAD(1608/60ohm) HCB1608KF-600T30/COILMASTER
L842	CLZ9Z014Z	FERRITE, CHIP BEAD(60ohm, 4516) HCB4516KF-600T60/COILMASTER
L849	CLZ9Z014Z	FERRITE, CHIP BEAD(60ohm, 4516) HCB4516KF-600T60/COILMASTER
L851	CLZ9Z014Z	FERRITE, CHIP BEAD(60ohm, 4516) HCB4516KF-600T60/COILMASTER
L852	CLQ12E100MRZ	COIL, SMD POWER (10UH/3A) CMI-SPC9H45F-SERIES
L853	CLZ9Z014Z	FERRITE, CHIP BEAD(60ohm, 4516) HCB4516KF-600T60/COILMASTER
L854	CLZ9Z014Z	FERRITE, CHIP BEAD(60ohm, 4516) HCB4516KF-600T60/COILMASTER
L855	CLZ9Z014Z	FERRITE, CHIP BEAD(60ohm, 4516) HCB4516KF-600T60/COILMASTER
L856	CLQ12E100MRZ	COIL, SMD POWER (10UH/3A) CMI-SPC9H45F-SERIES
L858	CLQ12E100MRZ	COIL, SMD POWER (10UH/3A) CMI-SPC9H45F-SERIES
L859	CLZ9Z014Z	FERRITE, CHIP BEAD(60ohm, 4516) HCB4516KF-600T60/COILMASTER

Reference Designator	Part Number	Description	
INPUT PCB ASS'Y COP12327D			
L860	CLZ9R005Z	FERRITE CHIP BEAD(1608/60ohm)	HCB1608KF-600T30/COILMASTER
L862	CLQ12E100MRZ	COIL , SMD POWER (10UH/3A)	CMI-SPC9H45F-SERIES
L863	CLZ9Z014Z	FERRITE , CHIP BEAD(60ohm, 4516)	HCB4516KF-600T60/COILMASTER
Q901	CVTKRC103S	TRANSISTOR , CHIP , SOT-23	KRC103S
Q902	CVTKRC103S	TRANSISTOR , CHIP , SOT-23	KRC103S
Q903	HVTKRA102S	TRANSISTOR , CHIP , SOT-23	KRA102S
Q904	CVTKRC103S	TRANSISTOR , CHIP , SOT-23	KRC103S
Q905	HVTKRA102S	TRANSISTOR , CHIP , SOT-23	KRA102S
Q906	CVTKRC103S	TRANSISTOR , CHIP , SOT-23	KRC103S
Q907	HVTKRA102S	TRANSISTOR , CHIP , SOT-23	KRA102S
Q908	HVTKRA102S	TRANSISTOR , CHIP , SOT-23	KRA102S
Q909	HVTKRA102S	TRANSISTOR , CHIP , SOT-23	KRA102S
Q910	CVTKRC103S	TRANSISTOR , CHIP , SOT-23	KRC103S
RN10	CRJ064IJ330T	RES , CHIP(1005/5%/33ohm*4)	
RN11	CRJ064IJ330T	RES , CHIP(1005/5%/33ohm*4)	
RN12	CRJ064IJ330T	RES , CHIP(1005/5%/33ohm*4)	
RN14	CRJ104DJ220T	RES , CHIP , 22 OHM, 5% , 1608 X 4	22X4/2012
RN15	CRJ064IJ330T	RES , CHIP(1005/5%/33ohm*4)	
RN16	CRJ064IJ330T	RES , CHIP(1005/5%/33ohm*4)	
RN17	CRJ064IJ330T	RES , CHIP(1005/5%/33ohm*4)	
RN18	CRJ064IJ330T	RES , CHIP(1005/5%/33ohm*4)	
RN19	CRJ064IJ330T	RES , CHIP(1005/5%/33ohm*4)	
RN20	CRJ104DJ220T	RES , CHIP , 22 OHM, 5% , 1608 X 4	22X4/2012
RN21	CRJ064IJ330T	RES , CHIP(1005/5%/33ohm*4)	
RN22	CRJ064IJ330T	RES , CHIP(1005/5%/33ohm*4)	
RN23	CRJ064IJ330T	RES , CHIP(1005/5%/33ohm*4)	
RN24	CRJ064IJ330T	RES , CHIP(1005/5%/33ohm*4)	
RN25	CRJ064IJ330T	RES , CHIP(1005/5%/33ohm*4)	
RN26	CRJ064IJ330T	RES , CHIP(1005/5%/33ohm*4)	
RN27	CRJ064IJ330T	RES , CHIP(1005/5%/33ohm*4)	
RN28	CRJ064IJ330T	RES , CHIP(1005/5%/33ohm*4)	
RN29	CRJ064IJ330T	RES , CHIP(1005/5%/33ohm*4)	
RN30	CRJ064IJ330T	RES , CHIP(1005/5%/33ohm*4)	
RN31	CRJ064IJ330T	RES , CHIP(1005/5%/33ohm*4)	
RN33	CRJ062IJ330T	RES , CHIP(1005/5%/33ohm*2)	
RN34	CRJ064IJ330T	RES , CHIP(1005/5%/33ohm*4)	
RN35	CRJ064IJ330T	RES , CHIP(1005/5%/33ohm*4)	
RN37	CRJ064IJ330T	RES , CHIP(1005/5%/33ohm*4)	
RN38	CRJ064IJ330T	RES , CHIP(1005/5%/33ohm*4)	
RN39	CRJ064IJ330T	RES , CHIP(1005/5%/33ohm*4)	
RN42	CRJ064IJ330T	RES , CHIP(1005/5%/33ohm*4)	
RN43	CRJ064IJ330T	RES , CHIP(1005/5%/33ohm*4)	
RN44	CRJ064IJ103T	RES , CHIP(1005/5%/10Kohm*4)	
RN46	CRJ064IJ330T	RES , CHIP(1005/5%/33ohm*4)	
RN48	CRJ064IJ330T	RES , CHIP(1005/5%/33ohm*4)	
RN49	CRJ062IJ330T	RES , CHIP(1005/5%/33ohm*2)	
RN51	CRJ064IJ330T	RES , CHIP(1005/5%/33ohm*4)	
RN53	CRJ064IJ330T	RES , CHIP(1005/5%/33ohm*4)	
RN54	CRJ064IJ330T	RES , CHIP(1005/5%/33ohm*4)	
RN55	CRJ062IJ330T	RES , CHIP(1005/5%/33ohm*2)	
RN56	CRJ064IJ330T	RES , CHIP(1005/5%/33ohm*4)	
RN57	CRJ062IJ330T	RES , CHIP(1005/5%/33ohm*2)	
RN58	CRJ064IJ330T	RES , CHIP(1005/5%/33ohm*4)	

Reference Designator	Part Number	Description
INPUT PCB ASS'Y COP12327D		
RN59	CRJ064IJ330T	RES, CHIP(1005/5%/33ohm*4)
RN60	CRJ064IJ330T	RES, CHIP(1005/5%/33ohm*4)
RN61	CRJ062IJ330T	RES, CHIP(1005/5%/33ohm*2)
RN72	CRJ064IJ330T	RES, CHIP(1005/5%/33ohm*4)
RN73	CRJ064IJ330T	RES, CHIP(1005/5%/33ohm*4)
RN74	CRJ064IJ330T	RES, CHIP(1005/5%/33ohm*4)
RN75	CRJ064IJ330T	RES, CHIP(1005/5%/33ohm*4)
RN76	CRJ064IJ330T	RES, CHIP(1005/5%/33ohm*4)
RN77	CRJ064IJ330T	RES, CHIP(1005/5%/33ohm*4)
RN78	CRJ064IJ330T	RES, CHIP(1005/5%/33ohm*4)
RN79	CRJ064IJ330T	RES, CHIP(1005/5%/33ohm*4)
RN80	CRJ064IJ330T	RES, CHIP(1005/5%/33ohm*4)
RN81	CRJ064IJ330T	RES, CHIP(1005/5%/33ohm*4)
R604	CRJ10DJ101T	RES, CHIP(1608/5%/100ohm)
R606	CRJ10DJ0R0T	RES, CHIP(1608/5%/0ohm)
R607	CRJ10DF1001T	RES, CHIP(1608/1%/1Kohm)
R610	CRJ10DF1001T	RES, CHIP(1608/1%/1Kohm)
R611	CRJ10DF1001T	RES, CHIP(1608/1%/1Kohm)
R613	CRJ10DJ0R0T	RES, CHIP(1608/5%/0ohm)
R616	CRJ10DJ103T	RES, CHIP(1608/5%/10Kohm)
R618	CRJ10DJ101T	RES, CHIP(1608/5%/100ohm)
R620	CRJ10DJ222T	RES, CHIP(1608/5%/2.2Kohm)
R621	CRJ10DF8201T	RES, CHIP(1608/1%/8.2Kohm)
R625	CRJ10DJ473T	RES, CHIP(1608/5%/47Kohm)
R626	CRJ10DJ473T	RES, CHIP(1608/5%/47Kohm)
R627	CRJ10DJ102T	RES, CHIP(1608/5%/1Kohm)
R628	CRJ10DJ473T	RES, CHIP(1608/5%/47Kohm)
R630	CRJ10DJ223T	RES, CHIP(1608/5%/22Kohm)
R635	CRJ10DJ473T	RES, CHIP(1608/5%/47Kohm)
R636	CRJ10DJ102T	RES, CHIP(1608/5%/1Kohm)
R638	CRJ10DJ223T	RES, CHIP(1608/5%/22Kohm)
R646	CRJ10DJ223T	RES, CHIP(1608/5%/22Kohm)
R647	CRJ10DJ102T	RES, CHIP(1608/5%/1Kohm)
R649	CRJ10DJ223T	RES, CHIP(1608/5%/22Kohm)
R650	CRJ10DJ473T	RES, CHIP(1608/5%/47Kohm)
R653	CRJ10DJ102T	RES, CHIP(1608/5%/1Kohm)
R654	CRJ10DJ473T	RES, CHIP(1608/5%/47Kohm)
R655	CRJ10DJ473T	RES, CHIP(1608/5%/47Kohm)
R658	CRJ10DJ473T	RES, CHIP(1608/5%/47Kohm)
R659	CRJ10DJ223T	RES, CHIP(1608/5%/22Kohm)
R661	CRJ10DJ102T	RES, CHIP(1608/5%/1Kohm)
R662	CRJ10DJ473T	RES, CHIP(1608/5%/47Kohm)
R666	CRJ10DF1001T	RES, CHIP(1608/1%/1Kohm)
R669	CRJ10DF1001T	RES, CHIP(1608/1%/1Kohm)
R673	CRJ10DJ104T	RES, CHIP(1608/5%/100Kohm)
R680	CRJ10DJ0R0T	RES, CHIP(1608/5%/0ohm)
R685	CRJ10DJ330T	RES, CHIP(1608/5%/33ohm)
R689	CRJ06IJ0R0T	RES, CHIP(1005/5%/0ohm)
R691	CRJ10DJ330T	RES, CHIP(1608/5%/33ohm)
R703	CRJ06IJ330T	RES, CHIP(1005/5%/33ohm)
R705	CRJ10DJ330T	RES, CHIP(1608/5%/33ohm)
R710	CRJ06IJ472T	RES, CHIP(1005/5%/4.7Kohm)
R716	CRJ06IJ103T	RES, CHIP(1005/5%/10Kohm)

Reference Designator	Part Number	Description	
INPUT PCB ASS'Y COP12327D			
R718	CRJ06IJ103T	RES, CHIP(1005/5%/10Kohm)	
R719	CRJ06IJ103T	RES, CHIP(1005/5%/10Kohm)	
R721	CRJ06IJ560T	RES, CHIP(1005/5%/56ohm)	
R722	CRJ06IJ103T	RES, CHIP(1005/5%/10Kohm)	
R723	CRJ06IJ0R0T	RES, CHIP(1005/5%/0ohm)	
R724	CRJ06IJ220T	RES, CHIP(1005/5%/22ohm)	
R725	CRJ06IJ560T	RES, CHIP(1005/5%/56ohm)	
R726	CRJ06IJ103T	RES, CHIP(1005/5%/10Kohm)	
R727	CRJ06IJ220T	RES, CHIP(1005/5%/22ohm)	
R728	CRJ06IJ220T	RES, CHIP(1005/5%/22ohm)	
R730	CRJ06IJ103T	RES, CHIP(1005/5%/10Kohm)	
R732	CRJ06IJ560T	RES, CHIP(1005/5%/56ohm)	
R735	CRJ06IJ220T	RES, CHIP(1005/5%/22ohm)	
R736	CRJ06IJ560T	RES, CHIP(1005/5%/56ohm)	
R738	CRJ06IJ220T	RES, CHIP(1005/5%/22ohm)	
R739	CRJ06IJ103T	RES, CHIP(1005/5%/10Kohm)	
R740	CRJ06IJ220T	RES, CHIP(1005/5%/22ohm)	
R741	CRJ06IJ220T	RES, CHIP(1005/5%/22ohm)	
R742	CRJ06IJ103T	RES, CHIP(1005/5%/10Kohm)	
R744	CRJ06IJ220T	RES, CHIP(1005/5%/22ohm)	
R746	CRJ06IJ560T	RES, CHIP(1005/5%/56ohm)	
R747	CRJ06IJ220T	RES, CHIP(1005/5%/22ohm)	
R749	CRJ06IJ103T	RES, CHIP(1005/5%/10Kohm)	
R750	CRJ10DF1002T	RES, CHIP(1608/1%/10Kohm)	10K /1/10W/F
R752	CRJ06IJ220T	RES, CHIP(1005/5%/22ohm)	
R753	CRJ06IJ560T	RES, CHIP(1005/5%/56ohm)	
R754	CRJ10DF1002T	RES, CHIP(1608/1%/10Kohm)	10K /1/10W/F
R755	CRJ06IJ220T	RES, CHIP(1005/5%/22ohm)	
R758	CRJ06IJ220T	RES, CHIP(1005/5%/22ohm)	
R761	CRJ06IJ560T	RES, CHIP(1005/5%/56ohm)	
R762	CRJ06IJ103T	RES, CHIP(1005/5%/10Kohm)	
R763	CRJ06IJ103T	RES, CHIP(1005/5%/10Kohm)	
R764	CRJ06IJ220T	RES, CHIP(1005/5%/22ohm)	
R765	CRJ06IJ560T	RES, CHIP(1005/5%/56ohm)	
R767	CRJ06IJ103T	RES, CHIP(1005/5%/10Kohm)	
R768	CRJ06IJ103T	RES, CHIP(1005/5%/10Kohm)	
R776	CRJ10DJ103T	RES, CHIP(1608/5%/10Kohm)	
R779	CRJ10DF8201T	RES, CHIP(1608/1%/8.2Kohm)	
R787	CRJ10DJ0R0T	RES, CHIP(1608/5%/0ohm)	
R792	CRJ10DJ103T	RES, CHIP(1608/5%/10Kohm)	
R796	CRJ10DF1001T	RES, CHIP(1608/1%/1Kohm)	
R826	CRJ10DJ101T	RES, CHIP(1608/5%/100ohm)	
R834	CRJ10DJ101T	RES, CHIP(1608/5%/100ohm)	
R838	CRJ10DJ123T	RES, CHIP(1608/5%/12Kohm)	
R839	CRJ10DJ273T	RES, CHIP(1608/5%/27Kohm)	
R840	CRJ10DJ512T	RES, CHIP(1608/5%/5.1Kohm)	
R841	CRJ10DJ123T	RES, CHIP(1608/5%/12Kohm)	
R843	CRJ10DJ202T	RES, CHIP(1608/5%/2Kohm)	
R844	CRJ10DJ222T	RES, CHIP(1608/5%/2.2Kohm)	
R845	CRJ10DJ103T	RES, CHIP(1608/5%/10Kohm)	
R846	CRJ10DJ223T	RES, CHIP(1608/5%/22Kohm)	
R847	CRJ10DJ512T	RES, CHIP(1608/5%/5.1Kohm)	
R851	CRJ10DJ512T	RES, CHIP(1608/5%/5.1Kohm)	

Reference Designator	Part Number	Description
INPUT PCB ASS'Y COP12327D		
R852	CRJ10DJ202T	RES, CHIP(1608/5%/2Kohm)
R854	CRJ06IJ472T	RES, CHIP(1005/5%/4.7Kohm)
R856	CRJ06IJ472T	RES, CHIP(1005/5%/4.7Kohm)
R857	CRJ10DJ103T	RES, CHIP(1608/5%/10Kohm)
R859	CRJ10DJ330T	RES, CHIP(1608/5%/33ohm)
R861	CRJ10DJ330T	RES, CHIP(1608/5%/33ohm)
R862	CRJ10DJ330T	RES, CHIP(1608/5%/33ohm)
R864	CRJ06IJ472T	RES, CHIP(1005/5%/4.7Kohm)
R865	CRJ10DJ103T	RES, CHIP(1608/5%/10Kohm)
R872	CRJ10DJ623T	RES, CHIP(1608/5%/62Kohm)
R873	CRJ10DJ623T	RES, CHIP(1608/5%/62Kohm)
R874	CRJ10DJ623T	RES, CHIP(1608/5%/62Kohm)
R879	CRJ10DJ0R0T	RES, CHIP(1608/5%/0ohm)
R880	CRJ10DJ0R0T	RES, CHIP(1608/5%/0ohm)
R881	CRJ10DJ0R0T	RES, CHIP(1608/5%/0ohm)
R882	CRJ10DJ0R0T	RES, CHIP(1608/5%/0ohm)
R883	CRJ10DJ104T	RES, CHIP(1608/5%/100Kohm)
R884	CRJ10DJ104T	RES, CHIP(1608/5%/100Kohm)
X901	COX28636E330S	CRYSTAL, 28.636MHz, HC-49/SMD, 33pF, 30PPM
X902	COX28636E330S	CRYSTAL, 28.636MHz, HC-49/SMD, 33pF, 30PPM
X903	COX19660E330S	CRYSTAL, 19.660MHz, HC-49/SMD, 33pF, 20PPM
	CMY1A297	HEAT SINK
BN301	CJP30GB143ZB	DIP, SOCKET(30PIN, 2.54mm,ANGLE)
BN61	CWB1D00718058	WIRE ASS'Y (2.5mm, 7p, 180mm)
C528	CCEA1EH222E	CAP, ELECT(25V/2200uF) 2200UF 25V

VIDEO PCB ASS'Y COP12361D

C179	CCUS1H104KC	CAP, CHIP(1608, 50V/0.1uF)
C180	CCUS1H104KC	CAP, CHIP(1608, 50V/0.1uF)
C181	CCUS1H104KC	CAP, CHIP(1608, 50V/0.1uF)
C182	CCUS1H104KC	CAP, CHIP(1608, 50V/0.1uF)
C183	CCUS1H104KC	CAP, CHIP(1608, 50V/0.1uF)
C184	CCUS1H223KC	CAP, CHIP(1608, 50V/0.022uF)
C185	CCUS1H104KC	CAP, CHIP(1608, 50V/0.1uF)
C187	CCUS1H223KC	CAP, CHIP(1608, 50V/0.022uF)
C188	CCUS1H104KC	CAP, CHIP(1608, 50V/0.1uF)
C189	CCUS1H104KC	CAP, CHIP(1608, 50V/0.1uF)
C190	CCUS1H104KC	CAP, CHIP(1608, 50V/0.1uF)
C191	CCUS1H223KC	CAP, CHIP(1608, 50V/0.022uF)
C192	CCUS1H104KC	CAP, CHIP(1608, 50V/0.1uF)
C193	CCUS1H223KC	CAP, CHIP(1608, 50V/0.022uF)
C194	CCUS1H104KC	CAP, CHIP(1608, 50V/0.1uF)
C195	CCUS1H104KC	CAP, CHIP(1608, 50V/0.1uF)
C196	CCUS1H104KC	CAP, CHIP(1608, 50V/0.1uF)
C197	CCUS1H104KC	CAP, CHIP(1608, 50V/0.1uF)
C198	CCUS1H104KC	CAP, CHIP(1608, 50V/0.1uF)
C200	CCUS1H104KC	CAP, CHIP(1608, 50V/0.1uF)
C202	CCUS1H220JA	CAP, CHIP(1608, 50V/22pF)
C203	CCUS1H220JA	CAP, CHIP(1608, 50V/22pF)
D705	CVD1SS355T	DIODE, SMD, SWITCHING 1SS355/SOD-323
D706	CVD1SS355T	DIODE, SMD, SWITCHING 1SS355/SOD-323
D707	CVD1SS355T	DIODE, SMD, SWITCHING 1SS355/SOD-323

Reference Designator	Part Number	Description
VIDEO PCB ASS'Y COP12361D		
D708	CVD1SS355T	DIODE, SMD, SWITCHING 1SS355/SOD-323
L802	CLZ9Z014Z	FERRITE , CHIP BEAD(60ohm,4516)HCB4516KF-600T60/COILMASTER
R567	CRJ10DJ750T	RES, CHIP(1608/5%/75ohm)
R568	CRJ10DJ750T	RES, CHIP(1608/5%/75ohm)
R569	CRJ10DJ750T	RES, CHIP(1608/5%/75ohm)
R570	CRJ10DJ750T	RES, CHIP(1608/5%/75ohm)
R571	CRJ10DJ750T	RES, CHIP(1608/5%/75ohm)
R572	CRJ10DJ750T	RES, CHIP(1608/5%/75ohm)
R573	CRJ10DJ750T	RES, CHIP(1608/5%/75ohm)
R574	CRJ10DJ750T	RES, CHIP(1608/5%/75ohm)
R578	CRJ10DJ103T	RES, CHIP(1608/5%/10Kohm)
R579	CRJ10DJ104T	RES, CHIP(1608/5%/100Kohm)
R580	CRJ10DJ104T	RES, CHIP(1608/5%/100Kohm)
R581	CRJ10DJ332T	RES, CHIP(1608/5%/3.3Kohm)
R582	CRJ10DJ4R7T	RES, CHIP(1608/5%/4.7ohm)
R583	CRJ10DJ474T	RES, CHIP(1608/5%/470Kohm)
R584	CRJ10DJ220T	RES, CHIP(1608/5%/22ohm)
R585	CRJ10DJ474T	RES, CHIP(1608/5%/470Kohm)
R586	CRJ10DJ220T	RES, CHIP(1608/5%/22ohm)
R587	CRJ10DJ0R0T	RES, CHIP(1608/5%/0ohm)
R589	CRJ10DJ220T	RES, CHIP(1608/5%/22ohm)
R591	CRJ10DJ220T	RES, CHIP(1608/5%/22ohm)
R592	CRJ10DJ0R0T	RES, CHIP(1608/5%/0ohm)
R593	CRJ10DJ0R0T	RES, CHIP(1608/5%/0ohm)
R594	CRJ10DJ102T	RES, CHIP(1608/5%/1Kohm)
R596	CRJ10DJ0R0T	RES, CHIP(1608/5%/0ohm)
R602	CRJ10DJ4R7T	RES, CHIP(1608/5%/4.7ohm)
R603	CRJ10DJ4R7T	RES, CHIP(1608/5%/4.7ohm)
R605	CRJ10DJ0R0T	RES, CHIP(1608/5%/0ohm)
R606	CRJ10DJ0R0T	RES, CHIP(1608/5%/0ohm)
R608	CRJ10DJ0R0T	RES, CHIP(1608/5%/0ohm)
C101	CCUS1H472KC	CAP, CHIP(1608, 50V/4700pF)
C102	CCUS1H472KC	CAP, CHIP(1608, 50V/4700pF)
C103	CCUS1H472KC	CAP, CHIP(1608, 50V/4700pF)
C104	CCUS1H221JA	CAP, CHIP(1608, 50V/220pF)
C105	CCUS1H221JA	CAP, CHIP(1608, 50V/220pF)
C108	CCUS1H102KC	CAP, CHIP(1608, 50V/1000pF)
C109	CCUS1H102KC	CAP, CHIP(1608, 50V/1000pF)
C110	CCUS1H020CA	CAP, CHIP(1608, 50V/2pF)
C111	CCUS1H020CA	CAP, CHIP(1608, 50V/2pF)
C112	CCUS1H020CA	CAP, CHIP(1608, 50V/2pF)
C113	CCUS1H020CA	CAP, CHIP(1608, 50V/2pF)
C114	CCUS1H020CA	CAP, CHIP(1608, 50V/2pF)
C115	CCUS1H020CA	CAP, CHIP(1608, 50V/2pF)
C116	CCUS1H103KC	CAP, CHIP(1608, 50V/0.01uF)
C117	CCUS1H103KC	CAP, CHIP(1608, 50V/0.01uF)
C118	CCUS1H103KC	CAP, CHIP(1608, 50V/0.01uF)
C119	CCUS1H103KC	CAP, CHIP(1608, 50V/0.01uF)
C120	CCUS1H103KC	CAP, CHIP(1608, 50V/0.01uF)
C121	CCUS1H103KC	CAP, CHIP(1608, 50V/0.01uF)
C122	CCUS1H330JA	CAP, CHIP(1608, 50V/33pF)
C123	CCUS1H330JA	CAP, CHIP(1608, 50V/33pF)
C124	CCUS1H330JA	CAP, CHIP(1608, 50V/33pF)

Reference Designator	Part Number	Description
VIDEO PCB ASS'Y COP12361D		
C143	CCUS1H103KC	CAP, CHIP(1608, 50V/0.01uF)
C144	CCUS1H104KC	CAP, CHIP(1608, 50V/0.1uF)
C145	CCUS1H104KC	CAP, CHIP(1608, 50V/0.1uF)
C146	CCUS1H104KC	CAP, CHIP(1608, 50V/0.1uF)
C147	CCUS1H330JA	CAP, CHIP(1608, 50V/33pF)
C148	CCUS1H330JA	CAP, CHIP(1608, 50V/33pF)
C162	CCUS1H223KC	CAP, CHIP(1608, 50V/0.022uF)
C164	CCUS1H103KC	CAP, CHIP(1608, 50V/0.01uF)
C165	CCUS1H104KC	CAP, CHIP(1608, 50V/0.1uF)
C166	CCUS1H104KC	CAP, CHIP(1608, 50V/0.1uF)
C204	CCUS1A105KC	CAP, CHIP(1608, 10V/1uF)
C205	CCUS1A105KC	CAP, CHIP(1608, 10V/1uF)
C206	CCUS1A105KC	CAP, CHIP(1608, 10V/1uF)
D704	CVD1SS355T	DIODE, SMD, SWITCHING 1SS355/SOD-323
IC901	CVINJW1321FP1	I.C , VIDEO S/W (JRC) NJW1321FP1
IC903	CVIKIA7809AF	IC , REGULATOR (+9V,DPAK) KIA7809AF
IC904	CVIKIA1117BS50	I.C , REGULATOR(SOT-223) KIA1117BS50
IC905	CVINJM2595MTE1	I.C , VIDEO S/W (JRC) NJM2595MTE1
IC906	HVI74HCU04AFNG	I.C , INVERTER (TOSHIBA) TC74HCU04AFNG(TOSHIBA)
IC907	CVIAZ4580MTR-E1	I.C , OPAMP(DUAL LOW NOISE)AZ4580MTR-E1/SOIC8/BCD
IC908	CVITL072CDR	I.C , OP AMP/SOP/8P (TI) TL072CDR
IC909	CVINJM2505AFTE1	I.C , VIDEO AMP(4.5~9.0V,200MW,MTP5)JRC NJM2505AF-TE1
IC910	CVINJM2505AFTE1	I.C , VIDEO AMP(4.5~9.0V,200MW,MTP5)JRC NJM2505AF-TE1
IC911	HVINJM2581MTE1	I.C (JRC)NJM2581MTE1 Dual Supply Wide Band 3ch Video Amplifier
IC912	CVINJM2505AFTE1	I.C , VIDEO AMP(4.5~9.0V,200MW,MTP5)JRC NJM2505AF-TE1
IC918	CVIILX3232DT	I.C, RS232 DRIVER(3.3V) ILX3232D
L801	CLZ9Z014Z	FERRITE , CHIP BEAD(60ohm,4516)HCB4516KF-600T60/COILMASTER
Q901	HVTKRC102S	TRANSISTOR , CHIP , SOT-23 KRC102S
Q904	HVTKRC102S	TRANSISTOR , CHIP , SOT-23 KRC102S
Q905	HVTKRA102S	TRANSISTOR , CHIP , SOT-23 KRA102S
Q906	HVTKRC102S	TRANSISTOR , CHIP , SOT-23 KRC102S
Q908	HVTKRC107S	TRANSISTOR , CHIP , SOT-23
R501	CRJ10DJ750T	RES, CHIP(1608/5%/75ohm)
R502	CRJ10DJ750T	RES, CHIP(1608/5%/75ohm)
R503	CRJ10DJ750T	RES, CHIP(1608/5%/75ohm)
R504	CRJ10DJ750T	RES, CHIP(1608/5%/75ohm)
R505	CRJ10DJ750T	RES, CHIP(1608/5%/75ohm)
R506	CRJ10DJ750T	RES, CHIP(1608/5%/75ohm)
R507	CRJ10DJ750T	RES, CHIP(1608/5%/75ohm)
R508	CRJ10DJ750T	RES, CHIP(1608/5%/75ohm)
R509	CRJ10DJ750T	RES, CHIP(1608/5%/75ohm)
R510	CRJ10DJ750T	RES, CHIP(1608/5%/75ohm)
R511	CRJ10DJ102T	RES, CHIP(1608/5%/1Kohm)
R512	CRJ10DJ222T	RES, CHIP(1608/5%/2.2Kohm)
R513	CRJ10DJ473T	RES, CHIP(1608/5%/47Kohm)
R514	CRJ10DJ102T	RES, CHIP(1608/5%/1Kohm)
R515	CRJ10DJ102T	RES, CHIP(1608/5%/1Kohm)
R516	CRJ10DJ473T	RES, CHIP(1608/5%/47Kohm)
R517	CRJ10DF1002T	RES, CHIP(1608/1%/10Kohm) 10K /1/10W/F
R518	CRJ10DF1002T	RES, CHIP(1608/1%/10Kohm) 10K /1/10W/F
R519	CRJ10DF5101T	RES, CHIP(1608/1%/5.1Kohm) 1608 SIZE
R520	CRJ10DF5101T	RES, CHIP(1608/1%/5.1Kohm) 1608 SIZE
R521	CRJ10DF4992T	RES, CHIP(1608/1%/49.9Kohm)

Reference Designator	Part Number	Description
VIDEO PCB ASS'Y COP12361D		
R522	CRJ10DF4992T	RES, CHIP(1608/1%/49.9Kohm)
R523	CRJ10DF4992T	RES, CHIP(1608/1%/49.9Kohm)
R524	CRJ10DF1001T	RES, CHIP(1608/1%/1Kohm)
R525	CRJ10DF4992T	RES, CHIP(1608/1%/49.9Kohm)
R526	CRJ10DF4992T	RES, CHIP(1608/1%/49.9Kohm)
R527	CRJ10DF1001T	RES, CHIP(1608/1%/1Kohm)
R528	CRJ10DF1001T	RES, CHIP(1608/1%/1Kohm)
R529	CRJ10DF4992T	RES, CHIP(1608/1%/49.9Kohm)
R533	CRJ10DJ101T	RES, CHIP(1608/5%/100ohm)
R534	CRJ10DJ103T	RES, CHIP(1608/5%/10Kohm)
R538	CRJ10DJ750T	RES, CHIP(1608/5%/75ohm)
R539	CRJ10DJ101T	RES, CHIP(1608/5%/100ohm)
R540	CRJ10DJ101T	RES, CHIP(1608/5%/100ohm)
R541	CRJ10DJ750T	RES, CHIP(1608/5%/75ohm)
R542	CRJ10DJ101T	RES, CHIP(1608/5%/100ohm)
R543	CRJ10DJ101T	RES, CHIP(1608/5%/100ohm)
R544	CRJ10DJ750T	RES, CHIP(1608/5%/75ohm)
R545	CRJ10DJ101T	RES, CHIP(1608/5%/100ohm)
R546	CRJ10DJ222T	RES, CHIP(1608/5%/2.2Kohm)
R547	CRJ10DJ474T	RES, CHIP(1608/5%/470Kohm)
R548	CRJ10DJ271T	RES, CHIP(1608/5%/270ohm)
R549	CRJ10DJ271T	RES, CHIP(1608/5%/270ohm)
R550	CRJ10DJ0R0T	RES, CHIP(1608/5%/0ohm)
R552	CRJ10DJ103T	RES, CHIP(1608/5%/10Kohm)
R553	CRJ10DJ103T	RES, CHIP(1608/5%/10Kohm)
R556	CRJ10DJ102T	RES, CHIP(1608/5%/1Kohm)
R557	CRJ10DJ0R0T	RES, CHIP(1608/5%/0ohm)
R559	CRJ10DJ103T	RES, CHIP(1608/5%/10Kohm)
R561	CRJ10DJ4R7T	RES, CHIP(1608/5%/4.7ohm) 1608 SIZE
R562	CRJ10DJ4R7T	RES, CHIP(1608/5%/4.7ohm) 1608 SIZE
R563	CRJ10DJ103T	RES, CHIP(1608/5%/10Kohm)
R575	CRJ10DJ330T	RES, CHIP(1608/5%/33ohm)
R576	CRJ10DJ330T	RES, CHIP(1608/5%/33ohm)
R577	CRJ10DJ102T	RES, CHIP(1608/5%/1Kohm)
C106	CCEA1EH221T	CAP, ELECT(25V/220uF) KR3-25V221MC(8*11.5L)
C107	CCEA1CH471T	CAP, ELECT(16V/470uF) KR3-16V471MC(8*11.5L)
C125	CCEA1HH100T	CAP, ELECT(50V/10uF) KR3-50V100MA(5*11L)
C126	CCEA1HH100T	CAP, ELECT(50V/10uF) KR3-50V100MA(5*11L)
C127	CCEA1AH471T	CAP, ELECT(10V/470uF) KR3-10V471MB(6.3*11L)
C128	CCEA1HH4R7T	CAP, ELECT(50V/4.7uF) KR3-50V4R7MA(5*11L)
C129	CCEA1HH100T	CAP, ELECT(50V/10uF) KR3-50V100MA(5*11L)
C130	CCEA1HH100T	CAP, ELECT(50V/10uF) KR3-50V100MA(5*11L)
C131	CCEA1HH100T	CAP, ELECT(50V/10uF) KR3-50V100MA(5*11L)
C132	CCEA1HH100T	CAP, ELECT(50V/10uF) KR3-50V100MA(5*11L)
C133	CCEA1HH100T	CAP, ELECT(50V/10uF) KR3-50V100MA(5*11L)
C134	CCEA1HH100T	CAP, ELECT(50V/10uF) KR3-50V100MA(5*11L)
C135	CCEA1HH100T	CAP, ELECT(50V/10uF) KR3-50V100MA(5*11L)
C136	CCEA1HH1R0T	CAP, ELECT(50V/1uF) KR3-50V010MA(5*11L)
C137	CCEA1HH1R0T	CAP, ELECT(50V/1uF) KR3-50V010MA(5*11L)
C138	CCEA1HH1R0T	CAP, ELECT(50V/1uF) KR3-50V010MA(5*11L)
C139	CCEA1HH1R0T	CAP, ELECT(50V/1uF) KR3-50V010MA(5*11L)
C140	CCEA1HH1R0T	CAP, ELECT(50V/1uF) KR3-50V010MA(5*11L)
C141	CCEA1HH1R0T	CAP, ELECT(50V/1uF) KR3-50V010MA(5*11L)

Reference Designator	Part Number	Description
VIDEO PCB ASS'Y COP12361D		
C142	CCEA1CH101T	CAP , ELECT(16V/100uF) KR3-16V101MA(5*11L)
C149	CCEA1HH100T	CAP , ELECT(50V/10uF) KR3-50V100MA(5*11L)
C150	CCEA1HH4R7T	CAP , ELECT(50V/4.7uF) KR3-50V4R7MA(5*11L)
C151	CCEA1HH100T	CAP , ELECT(50V/10uF) KR3-50V100MA(5*11L)
C152	CCEA1CH101T	CAP , ELECT(16V/100uF) KR3-16V101MA(5*11L)
C153	CCEA1CH221T	CAP , ELECT(16V/220uF) KR3-16V221MB(6.3*11L)
C154	CCEA1HH100T	CAP , ELECT(50V/10uF) KR3-50V100MA(5*11L)
C155	CCEA1CH470T	CAP , ELECT(16V/47uF) KR3-16V470MA(5*11L)
C156	CCEA1HH100T	CAP , ELECT(50V/10uF) KR3-50V100MA(5*11L)
C157	CCEA1CH470T	CAP , ELECT(16V/47uF) KR3-16V470MA(5*11L)
C158	CCEA1HH100T	CAP , ELECT(50V/10uF) KR3-50V100MA(5*11L)
C159	CCEA1CH470T	CAP , ELECT(16V/47uF) KR3-16V470MA(5*11L)
C160	CCEA1CH101T	CAP , ELECT(16V/100uF) KR3-16V101MA(5*11L)
C161	CCEA1HH100T	CAP , ELECT(50V/10uF) KR3-50V100MA(5*11L)
C163	CCEA1CH470T	CAP , ELECT(16V/47uF) KR3-16V470MA(5*11L)
C168	CCEA1AH471T	CAP , ELECT(10V/470uF) KR3-10V471MB(6.3*11L)
C169	CCEA1AH471T	CAP , ELECT(10V/470uF) KR3-10V471MB(6.3*11L)
C170	CCEA1HH100T	CAP , ELECT(50V/10uF) KR3-50V100MA(5*11L)
C171	CCEA1AH471T	CAP , ELECT(10V/470uF) KR3-10V471MB(6.3*11L)
C172	CCEA1AH471T	CAP , ELECT(10V/470uF) KR3-10V471MB(6.3*11L)
C173	CCEA1HH100T	CAP , ELECT(50V/10uF) KR3-50V100MA(5*11L)
C174	CCEA1HH100T	CAP , ELECT(50V/10uF) KR3-50V100MA(5*11L)
C175	CCEA1HH100T	CAP , ELECT(50V/10uF) KR3-50V100MA(5*11L)
C176	CCEA1HH100T	CAP , ELECT(50V/10uF) KR3-50V100MA(5*11L)
C177	CCEA1HH100T	CAP , ELECT(50V/10uF) KR3-50V100MA(5*11L)
Q903	HVTKTA1266YT	TRANSISTOR KTA1266YT
Q907	HVTKTA1266YT	TRANSISTOR KTA1266YT
BN51	CWB1D00910058	WIRE ASS'Y (9PIN, 2.5mm,100mm,STRAIGHT,#22)
BN53	CJP18GB142ZB	PIN HEADER (18P, 2.54mm) , ANGLE TYPE
CN40	CJP09GI237ZW	LOCK-WAFER/STRAIGHT/2.5mm
CN41	CJP30GB142ZB	30PIN, 2.54MM PIN HEADER
CN52	CJP05GB46ZY	WAFER,20017WR(2mm,ANGLE)
IC902	CVIKIA7905PI	I.C,REGULATOR(-5V,T0220IS) KIA7905PI (KEC)
IC913	HVIKIA7812API	I.C,REGULATOR(+12V,T0220IS) KIA7812API
JK91	CJJ4R046Z	JACK , BOARD
JK92	CJJ4P074Z	JACK , RCA(4P, GOLD PLATE (Y/Y/Y/Y) 100861
JK93	CJJ9N007Z	JACK , DIN SOCKET(8P) N-801
JK94	CJJ9L016Z	JACK , IPOD CONNECTOR (36PIN) SI36P
JK95	CJJ9W001Z	JACK, 9P D-SUB FEMALE(RS-232C) -9PF-RSB/SEMCO
JK96	CJJ2D008Z	JACK, STEREO (BLK MOLD) -308-02/YUQIU

MAIN PCB ASS'Y COP12364D

C501	CCEA1HH100T	CAP , ELECT(50V/10uF) 3-50V100MA(5*11L)
C502	CCEA1HH100T	CAP , ELECT(50V/10uF) 3-50V100MA(5*11L)
C503	CCEA1HH100T	CAP , ELECT(50V/10uF) 3-50V100MA(5*11L)
C505	CCEA1HH100T	CAP , ELECT(50V/10uF) 3-50V100MA(5*11L)
C506	CCKT1H331KB	CAP , CERAMIC(50V/330pF/K)
C507	CCBS1H331KBT	CAP , CERAMIC(330PF/50V) UP025 B331K-A-B Z
C508	CCBS1H331KBT	CAP , CERAMIC(330PF/50V) UP025 B331K-A-B Z
C509	CCKT1H331KB	CAP , CERAMIC(50V/330pF/K)
C510	CCBS1H331KBT	CAP , CERAMIC(330PF/50V) UP025 B331K-A-B Z
C561	CCEA1CH101T	CAP , ELECT(16V/100uF) 3-16V101MA(5*11L)

Reference Designator	Part Number	Description	
MAIN PCB ASS'Y COP12364D			
C562	CCEA1CH101T	CAP , ELECT(16V/100uF)	3-16V101MA(5*11L)
C563	CCEA1CH101T	CAP , ELECT(16V/100uF)	3-16V101MA(5*11L)
C564	CCEA1CH101T	CAP , ELECT(16V/100uF)	3-16V101MA(5*11L)
C565	CCEA1CH101T	CAP , ELECT(16V/100uF)	3-16V101MA(5*11L)
C566	CCEA1CH101T	CAP , ELECT(16V/100uF)	3-16V101MA(5*11L)
C567	CCEA1CH101T	CAP , ELECT(16V/100uF)	3-16V101MA(5*11L)
C568	CCEA1CH101T	CAP , ELECT(16V/100uF)	3-16V101MA(5*11L)
C569	CCEA1CH101T	CAP , ELECT(16V/100uF)	3-16V101MA(5*11L)
C570	CCEA1CH101T	CAP , ELECT(16V/100uF)	3-16V101MA(5*11L)
C571	CCBS1H681KBT	CAP , CERAMIC(680PF/50V)	UP025 B681K-A-B Z
C572	CCBS1H681KBT	CAP , CERAMIC(680PF/50V)	UP025 B681K-A-B Z
C573	CCBS1H681KBT	CAP , CERAMIC(680PF/50V)	UP025 B681K-A-B Z
C574	CCBS1H681KBT	CAP , CERAMIC(680PF/50V)	UP025 B681K-A-B Z
C575	CCBS1H681KBT	CAP , CERAMIC(680PF/50V)	UP025 B681K-A-B Z
C601	CCCT1H120JC	CAP , CERAMIC	12PF 50V J
C602	CCCT1H120JC	CAP , CERAMIC	12PF 50V J
C603	CCCT1H120JC	CAP , CERAMIC	12PF 50V J
C604	CCCT1H120JC	CAP , CERAMIC	12PF 50V J
C605	CCCT1H120JC	CAP , CERAMIC	12PF 50V J
C606	CCCT1H330JC	CAP , CERAMIC	33PF 50V J
C607	CCCT1H330JC	CAP , CERAMIC	33PF 50V J
C608	CCCT1H330JC	CAP , CERAMIC	33PF 50V J
C609	CCCT1H330JC	CAP , CERAMIC	33PF 50V J
C610	CCCT1H330JC	CAP , CERAMIC	33PF 50V J
C631	CCEA1JH470TS	CAP , ELECT	63V/47UF/105 'C
C634	CCEA1JH470TS	CAP , ELECT	63V/47UF/105 'C
C635	CCEA1JH470TS	CAP , ELECT	63V/47UF/105 'C
C636	CCEA1JH470TS	CAP , ELECT	63V/47UF/105 'C
C639	CCEA1JH470TS	CAP , ELECT	63V/47UF/105 'C
C640	CCEA1JH470TS	CAP , ELECT	63V/47UF/105 'C
C649	CCEA1HHR15T	CAP , ELECT(50V/0.15uF)	0.15UF 50V
C650	CCBS1H104ZFT	CAP , CERAMIC	0.1UF 50V Z
C681	CCEA1HH100T	CAP , ELECT(50V/10uF)	KR3-50V100MA(5*11L)
C682	CCEA1HH100T	CAP , ELECT(50V/10uF)	KR3-50V100MA(5*11L)
C683	CCEA1HH100T	CAP , ELECT(50V/10uF)	KR3-50V100MA(5*11L)
C684	CCEA1HH100T	CAP , ELECT(50V/10uF)	KR3-50V100MA(5*11L)
C685	CCEA1HH100T	CAP , ELECT(50V/10uF)	KR3-50V100MA(5*11L)
C704	CCKT1H102KB	CAP , CERAMIC(50V/1000pF/K)	
C716	CCEA1CH220T	CAP , ELECT(16V/22uF)	KR3-16V220MA(5*11L)
C725	CCKT1H221KB	CAP , CERAMIC(50V/220pF/K)	
C801	CCEA1HH100T	CAP , ELECT(50V/10uF)	KR3-50V100MA(5*11L)
C802	CCEA1HH100T	CAP , ELECT(50V/10uF)	KR3-50V100MA(5*11L)
C803	CCCT1H330JC	CAP , CERAMIC	33PF 50V J
C804	CCCT1H330JC	CAP , CERAMIC	33PF 50V J
C805	CCCT1H120JC	CAP , CERAMIC	12PF 50V J
C806	CCCT1H120JC	CAP , CERAMIC	12PF 50V J
C807	CCEA1JH470TS	CAP , ELECT	63V/47UF/105 'C
C808	CCEA1JH470TS	CAP , ELECT	63V/47UF/105 'C
C809	CCEA1JH470TS	CAP , ELECT	63V/47UF/105 'C
C810	CCEA1JH470TS	CAP , ELECT	63V/47UF/105 'C
C811	CCEA1CH101T	CAP , ELECT(16V/100uF)	KR3-16V101MA(5*11L)
C812	CCEA1CH101T	CAP , ELECT(16V/100uF)	KR3-16V101MA(5*11L)
C813	CCEA1CH101T	CAP , ELECT(16V/100uF)	KR3-16V101MA(5*11L)

Reference Designator	Part Number	Description
MAIN PCB ASS'Y COP12364D		
C814	CCEA1CH101T	CAP , ELECT(16V/100uF) KR3-16V101MA(5*11L)
C815	CCKT1H331KB	CAP , CERAMIC(50V/330pF/K)
C816	CCBS1H331KBT	CAP , CERAMIC(330PF/50V) CH UP025 B331K-A-B Z
C817	CCEA1HH100T	CAP , ELECT(50V/10uF) KR3-50V100MA(5*11L)
C818	CCEA1HH100T	CAP , ELECT(50V/10uF) KR3-50V100MA(5*11L)
C819	CCBS1H681KBT	CAP , CERAMIC(680PF/50V) CH UP025 B681K-A-B Z
C820	CCBS1H681KBT	CAP , CERAMIC(680PF/50V) CH UP025 B681K-A-B Z
C851	CCEA1HH100T	CAP , ELECT(50V/10uF) KR3-50V100MA(5*11L)
C852	CCEA1HH100T	CAP , ELECT(50V/10uF) KR3-50V100MA(5*11L)
C853	CCEA1HH100T	CAP , ELECT(50V/10uF) KR3-50V100MA(5*11L)
C854	CCEA1HH100T	CAP , ELECT(50V/10uF) KR3-50V100MA(5*11L)
C855	CCEA1HH100T	CAP , ELECT(50V/10uF) KR3-50V100MA(5*11L)
C856	CCEA1HH100T	CAP , ELECT(50V/10uF) KR3-50V100MA(5*11L)
C857	CCEA1HH100T	CAP , ELECT(50V/10uF) KR3-50V100MA(5*11L)
C900	HCQI1H473JZT	CAP , MYLAR 0.047UF 50V J
C901	HCQI1H473JZT	CAP , MYLAR 0.047UF 50V J
C905	CCBS1H223ZFT	CAP , CERAMIC(22000PF/50V)CH UP025 F223Z-A-B J
C907	CCEA1CH101T	CAP , ELECT(16V/100uF) KR3-16V101MA(5*11L)
C908	CCBS1H223ZFT	CAP , CERAMIC(22000PF/50V)CH UP025 F223Z-A-B J
C910	HCQI1H473JZT	CAP , MYLAR 0.047UF 50V J
C913	CCFT1H104ZF	CAP , SEMICONDUCTOR 0.1UF 50V Z
C914	HCQI1H473JZT	CAP , MYLAR 0.047UF 50V J
C917	HCQI1H473JZT	CAP , MYLAR 0.047UF 50V J
C918	HCQI1H473JZT	CAP , MYLAR 0.047UF 50V J
C919	HCQI1H473JZT	CAP , MYLAR 0.047UF 50V J
C924	CCFT1H104ZF	CAP , SEMICONDUCTOR 0.1UF 50V Z
C925	CCEA1HH2R2T	CAP , ELECT(50V/2.2uF) KR3-50V2R2MA(5*11L)
C927	CCKT1H102KB	CAP , CERAMIC(50V/1000pF/K)
C932	CCEA1CH101T	CAP , ELECT(16V/100uF) KR3-16V101MA(5*11L)
C936	CCEA1CH221T	CAP , ELECT(16V/220uF) KR3-16V221MB(6.3*11L)
C939	CCEA1HH4R7T	CAP , ELECT(50V/4.7uF) KR3-50V4R7MA(5*11L)
C940	CCEA1AH471T	CAP , ELECT(10V/470uF) KR3-10V471MB(6.3*11L)
C950	CCEA1AH471T	CAP , ELECT(10V/470uF) KR3-10V471MB(6.3*11L)
C951	CCEA1HH470T	CAP , ELECT(50V/47uF) KR3-50V470MB(6.3*11L)
C971	HCQI1H562JZT	CAP , MYLAR 5600PF 50V J
C972	HCQI1H562JZT	CAP , MYLAR 5600PF 50V J
C973	HCQI1H562JZT	CAP , MYLAR 5600PF 50V J
C974	HCQI1H562JZT	CAP , MYLAR 5600PF 50V J
C975	HCQI1H562JZT	CAP , MYLAR 5600PF 50V J
C977	CCEA1HH2R2T	CAP , ELECT(50V/2.2uF) KR3-50V2R2MA(5*11L)
C980	HCQI1H562JZT	CAP , MYLAR 5600PF 50V J
C981	HCQI1H562JZT	CAP , MYLAR 5600PF 50V J
C990	HCQI1H473JZT	CAP , MYLAR 0.047UF 50V J
C991	CCEA1HH1R0T	CAP , ELECT(50V/1uF) KR3-50V010MA(5*11L)
C992	HCQI1H473JZT	CAP , MYLAR 0.047UF 50V J
C993	HCQI1H473JZT	CAP , MYLAR 0.047UF 50V J
C994	HCQI1H473JZT	CAP , MYLAR 0.047UF 50V J
C995	HCQI1H473JZT	CAP , MYLAR 0.047UF 50V J
C996	HCQI1H473JZT	CAP , MYLAR 0.047UF 50V J
C997	HCQI1H473JZT	CAP , MYLAR 0.047UF 50V J
C999	CCBS1H223ZFT	CAP , CERAMIC(22000PF/50V) CH UP025 F223Z-A-B J
D501	CVD1SS133MT	DIODE , SWITCHING 1SS133
D502	CVD1SS133MT	DIODE , SWITCHING 1SS133

Reference Designator	Part Number	Description	
MAIN PCB ASS'Y COP12364D			
D503	CVD1SS133MT	DIODE , SWITCHING	1SS133
D504	CVD1SS133MT	DIODE , SWITCHING	1SS133
D505	CVD1SS133MT	DIODE , SWITCHING	1SS133
D581	CVD1SS133MT	DIODE , SWITCHING	1SS133
D582	CVD1SS133MT	DIODE , SWITCHING	1SS133
D583	CVD1SS133MT	DIODE , SWITCHING	1SS133
D584	CVD1SS133MT	DIODE , SWITCHING	1SS133
D585	CVD1SS133MT	DIODE , SWITCHING	1SS133
D701	CVD1SS133MT	DIODE , SWITCHING	1SS133
D801	CVD1SS133MT	DIODE , SWITCHING	1SS133
D802	CVD1SS133MT	DIODE , SWITCHING	1SS133
D803	CVD1SS133MT	DIODE , SWITCHING	1SS133
D804	CVD1SS133MT	DIODE , SWITCHING	1SS133
D901	CVD1N4003ST	DIODE , RECT	1N4003
D903	CVD1SS133MT	DIODE , SWITCHING	1SS133
D912	CVD1SS133MT	DIODE , SWITCHING	1SS133
D914	C3A206	WIRE , COPPER	SN95/PB5 , 0.6
D915	CVD1N4003ST	DIODE , RECT	1N4003
D917	CVD1SS133MT	DIODE , SWITCHING	1SS133
D950	CVD1SS133MT	DIODE , SWITCHING	1SS133
D953	CVD1SS133MT	DIODE , SWITCHING	1SS133
D954	CVD1N4003SRT	DIODE , RECT	1N4003
D955	CVD1N4003SRT	DIODE , RECT	1N4003
D956	CVD1N4003ST	DIODE , RECT	1N4003
D957	CVD1N4003ST	DIODE , RECT	1N4003
D961	CVD1N4003ST	DIODE , RECT	1N4003
D962	CVD1N4003ST	DIODE , RECT	1N4003
D963	CVD1N4003ST	DIODE , RECT	1N4003
D964	CVD1SS133MT	DIODE , SWITCHING	1SS133
D967	CVD1SS133MT	DIODE , SWITCHING	1SS133
D968	CVD1SS133MT	DIODE , SWITCHING	1SS133
D969	CVD1SS133MT	DIODE , SWITCHING	1SS133
D971	CVD1SS133MT	DIODE , SWITCHING	1SS133
D972	CVD1SS133MT	DIODE , SWITCHING	1SS133
D975	CVD1SS133MT	DIODE , SWITCHING	1SS133
D976	CVD1SS133MT	DIODE , SWITCHING	1SS133
D979	CVDZJ4.3BT	DIODE , ZENER 4.3V	ZJ4.3B 1/2W
ET90	HJT1A025	PLATE , EARTH	MET37-0002
ET91	HJT1A025	PLATE , EARTH	
F901	KJCF5S	HOLDER , FUSE	2.0
Q501	HVTKTA1268GRT	TRANSISTOR KTA1268GR	
Q502	HVTKTA1268GRT	TRANSISTOR KTA1268GR	
Q503	HVTKTA1268GRT	TRANSISTOR KTA1268GR	
Q504	HVTKTA1268GRT	TRANSISTOR KTA1268GR	
Q505	HVTKTA1268GRT	TRANSISTOR KTA1268GR	
Q511	CVT2SC2240BL	TRANSISTOR, 2SC2240BL (NPN, TO-92, LOW NOISE, TOSH	
Q512	CVT2SC2240BL	TRANSISTOR, 2SC2240BL (NPN, TO-92, LOW NOISE, TOSH	
Q513	CVT2SC2240BL	TRANSISTOR, 2SC2240BL (NPN, TO-92, LOW NOISE, TOSH	
Q514	CVT2SC2240BL	TRANSISTOR, 2SC2240BL (NPN, TO-92, LOW NOISE, TOSH	
Q515	CVT2SC2240BL	TRANSISTOR, 2SC2240BL (NPN, TO-92, LOW NOISE, TOSH	
Q516	CVT2SC2240BL	TRANSISTOR, 2SC2240BL (NPN, TO-92, LOW NOISE, TOSH	
Q517	CVT2SC2240BL	TRANSISTOR, 2SC2240BL (NPN, TO-92, LOW NOISE, TOSH	
Q518	CVT2SC2240BL	TRANSISTOR, 2SC2240BL (NPN, TO-92, LOW NOISE, TOSH	

Reference Designator	Part Number	Description
MAIN PCB ASS'Y COP12364D		
Q519	CVT2SC2240BL	TRANSISTOR, 2SC2240BL (NPN, TO-92, LOW NOISE, TOSH
Q520	CVT2SC2240BL	TRANSISTOR, 2SC2240BL (NPN, TO-92, LOW NOISE, TOSH
Q541	HVTKTC3198YT	TRANSISTOR KTC3198Y
Q542	HVTKTC3198YT	TRANSISTOR KTC3198Y
Q543	HVTKTC3198YT	TRANSISTOR KTC3198Y
Q544	HVTKTC3198YT	TRANSISTOR KTC3198Y
Q545	HVTKTC3198YT	TRANSISTOR KTC3198Y
Q556	CVT2SC2240BL	TRANSISTOR, 2SC2240BL (NPN, TO-92, LOW NOISE, TOSH
Q557	CVT2SC2240BL	TRANSISTOR, 2SC2240BL (NPN, TO-92, LOW NOISE, TOSH
Q558	CVT2SC2240BL	TRANSISTOR, 2SC2240BL (NPN, TO-92, LOW NOISE, TOSH
Q559	CVT2SC2240BL	TRANSISTOR, 2SC2240BL (NPN, TO-92, LOW NOISE, TOSH
Q560	CVT2SC2240BL	TRANSISTOR, 2SC2240BL (NPN, TO-92, LOW NOISE, TOSH
Q561	CVT2SC2240BL	TRANSISTOR, 2SC2240BL (NPN, TO-92, LOW NOISE, TOSH
Q563	CVT2SC2240BL	TRANSISTOR, 2SC2240BL (NPN, TO-92, LOW NOISE, TOSH
Q564	CVT2SC2240BL	TRANSISTOR, 2SC2240BL (NPN, TO-92, LOW NOISE, TOSH
Q565	CVT2SC2240BL	TRANSISTOR, 2SC2240BL (NPN, TO-92, LOW NOISE, TOSH
Q601	HVTKTA1268GRT	TRANSISTOR KTA1268GR
Q602	HVTKTA1268GRT	TRANSISTOR KTA1268GR
Q603	HVTKTA1268GRT	TRANSISTOR KTA1268GR
Q604	HVTKTA1268GRT	TRANSISTOR KTA1268GR
Q605	HVTKTA1268GRT	TRANSISTOR KTA1268GR
Q641	HVTKRC102MT	TRANSISTOR, TO-92M KRC102M
Q642	HVTKTC3199YT	TRANSISTOR, KTC3199Y/TO-92M
Q681	HVTKTC3199YT	TRANSISTOR, KTC3199Y/TO-92M
Q682	HVTKTC3199YT	TRANSISTOR, KTC3199Y/TO-92M
Q683	HVTKTC3199YT	TRANSISTOR, KTC3199Y/TO-92M
Q684	HVTKTC3199YT	TRANSISTOR, KTC3199Y/TO-92M
Q685	HVTKTC3199YT	TRANSISTOR, KTC3199Y/TO-92M
Q701	HVTKTA1268GRT	TRANSISTOR KTA1268GR
Q702	HVTKTA1268GRT	TRANSISTOR KTA1268GR
Q703	HVTKTC3199YT	TRANSISTOR, KTC3199Y/TO-92M
Q704	HVTKTA1267YT	TRANSISTOR KTA1267Y
Q705	HVTKRC107MT	TRANSISTOR, KRC107M
Q716	HVTKTC3199YT	TRANSISTOR, KTC3199Y/TO-92M
Q801	HVTKTC3199YT	TRANSISTOR, KTC3199Y/TO-92M
Q802	HVTKTC3199YT	TRANSISTOR, KTC3199Y/TO-92M
Q812	HVTKTA1268GRT	TRANSISTOR KTA1268GR
Q813	CVT2SC2240BL	TRANSISTOR, 2SC2240BL (NPN, TO-92, LOW NOISE, TOSH
Q814	HVTKTA1268GRT	TRANSISTOR KTA1268GR
Q815	CVT2SC2240BL	TRANSISTOR, 2SC2240BL NPN, TO-92, LOW NOISE, TOSH
Q816	HVTKTA1268GRT	TRANSISTOR KTA1268GR
Q817	HVTKTA1268GRT	TRANSISTOR KTA1268GR
Q818	CVT2SC2240BL	TRANSISTOR, 2SC2240BL (NPN, TO-92, LOW NOISE, TOSH
Q819	CVT2SC2240BL	TRANSISTOR, 2SC2240BL (NPN, TO-92, LOW NOISE, TOSH
Q820	CVT2SC2240BL	TRANSISTOR, 2SC2240BL (NPN, TO-92, LOW NOISE, TOSH
Q821	CVT2SC2240BL	TRANSISTOR, 2SC2240BL (NPN, TO-92, LOW NOISE, TOSH
Q822	CVT2SC2240BL	TRANSISTOR, 2SC2240BL (NPN, TO-92, LOW NOISE, TOSH
Q823	CVT2SC2240BL	TRANSISTOR, 2SC2240BL (NPN, TO-92, LOW NOISE, TOSH
Q824	HVTKTC3198YT	TRANSISTOR KTC3198Y
Q825	HVTKTC3198YT	TRANSISTOR KTC3198Y
Q901	HVTKTC3199YT	TRANSISTOR, KTC3199Y/TO-92M
Q911	HVTKTA1271YT	TRANSISTOR KTA1271Y
Q912	HVTKTA1271YT	TRANSISTOR KTA1271Y

Reference Designator	Part Number	Description
MAIN PCB ASS'Y COP12364D		
Q913	HVTKTA1271YT	TRANSISTOR KTA1271Y
Q915	HVTKTC3199YT	TRANSISTOR, KTC3199Y/TO-92M
Q916	HVTKTC3199YT	TRANSISTOR, KTC3199Y/TO-92M
Q917	HVTKRC102MT	TRANSISTOR, KRC102M
Q938	HVTKRA107MT	TRANSISTOR, KRA107M
Q939	HVTKRA107MT	TRANSISTOR, KRA107M
Q941	HVTKTC3199YT	TRANSISTOR, KTC3199Y/TO-92M
Q942	HVTKTC3199YT	TRANSISTOR, KTC3199Y/TO-92M
Q943	HVTKTC3199YT	TRANSISTOR, KTC3199Y/TO-92M
Q950	HVTKTA1267YT	TRANSISTOR KTA1267Y
Q951	HVTKTC3198YT	TRANSISTOR KTC3198Y
Q952	HVTKTC3198YT	TRANSISTOR KTC3198Y
Q960	HVTKRC107MT	TRANSISTOR, TO-92M KRC107M
Q961	HVTKTA1024YT	TRANSISTOR, KTA1024Y/TO-92L
R500	CRD20TJ103T	RES, CARBON(1/5W,10Kohm,J)
R501	CRD20TJ433T	RES, CARBON(1/5W,43Kohm,J)
R502	CRD20TJ433T	RES, CARBON(1/5W,43Kohm,J)
R503	CRD20TJ433T	RES, CARBON(1/5W,43Kohm,J)
R504	CRD20TJ433T	RES, CARBON(1/5W,43Kohm,J)
R505	CRD20TJ433T	RES, CARBON(1/5W,43Kohm,J)
R506	CRD20TJ273T	RES, CARBON(1/5W,27Kohm,J)
R507	CRD20TJ273T	RES, CARBON(1/5W,27Kohm,J)
R508	CRD20TJ273T	RES, CARBON(1/5W,27Kohm,J)
R509	CRD20TJ273T	RES, CARBON(1/5W,27Kohm,J)
R510	CRD20TJ273T	RES, CARBON(1/5W,27Kohm,J)
R511	CRD20TJ152T	RES, CARBON(1/5W,1.5Kohm,J)
R512	CRD20TJ152T	RES, CARBON(1/5W,1.5Kohm,J)
R513	CRD20TJ152T	RES, CARBON(1/5W,1.5Kohm,J)
R514	CRD20TJ152T	RES, CARBON(1/5W,1.5Kohm,J)
R515	CRD20TJ152T	RES, CARBON(1/5W,1.5Kohm,J)
R516	CRD20TJ152T	RES, CARBON(1/5W,1.5Kohm,J)
R517	CRD20TJ152T	RES, CARBON(1/5W,1.5Kohm,J)
R518	CRD20TJ152T	RES, CARBON(1/5W,1.5Kohm,J)
R519	CRD20TJ152T	RES, CARBON(1/5W,1.5Kohm,J)
R520	CRD20TJ152T	RES, CARBON(1/5W,1.5Kohm,J)
R521	CRD20TJ471T	RES, CARBON(1/5W,470ohm,J)
R522	CRD20TJ471T	RES, CARBON(1/5W,470ohm,J)
R523	CRD20TJ471T	RES, CARBON(1/5W,470ohm,J)
R524	CRD20TJ471T	RES, CARBON(1/5W,470ohm,J)
R525	CRD20TJ471T	RES, CARBON(1/5W,470ohm,J)
R531	CRD20TJ221T	RES, CARBON(1/5W,220ohm,J)
R532	CRD20TJ221T	RES, CARBON(1/5W,220ohm,J)
R533	CRD20TJ221T	RES, CARBON(1/5W,220ohm,J)
R534	CRD20TJ221T	RES, CARBON(1/5W,220ohm,J)
R535	CRD20TJ221T	RES, CARBON(1/5W,220ohm,J)
R536	CRD20TJ221T	RES, CARBON(1/5W,220ohm,J)
R537	CRD20TJ221T	RES, CARBON(1/5W,220ohm,J)
R538	CRD20TJ221T	RES, CARBON(1/5W,220ohm,J)
R539	CRD20TJ221T	RES, CARBON(1/5W,220ohm,J)
R540	CRD20TJ221T	RES, CARBON(1/5W,220ohm,J)
R541	CRD20TJ271T	RES, CARBON(1/5W,270ohm,J)
R542	CRD20TJ271T	RES, CARBON(1/5W,270ohm,J)
R543	CRD20TJ271T	RES, CARBON(1/5W,270ohm,J)

Reference Designator	Part Number	Description
MAIN PCB ASS'Y COP12364D		
R544	CRD20TJ271T	RES, CARBON(1/5W,270ohm,J)
R545	CRD20TJ271T	RES, CARBON(1/5W,270ohm,J)
R556	CRD20TJ273T	RES, CARBON(1/5W,27Kohm,J)
R557	CRD20TJ273T	RES, CARBON(1/5W,27Kohm,J)
R558	CRD20TJ273T	RES, CARBON(1/5W,27Kohm,J)
R559	CRD20TJ273T	RES, CARBON(1/5W,27Kohm,J)
R560	CRD20TJ273T	RES, CARBON(1/5W,27Kohm,J)
R561	CRD20TJ132T	RES, CARBON(1/5W,1.3Kohm,J)
R562	CRD20TJ132T	RES, CARBON(1/5W,1.3Kohm,J)
R563	CRD20TJ132T	RES, CARBON(1/5W,1.3Kohm,J)
R564	CRD20TJ132T	RES, CARBON(1/5W,1.3Kohm,J)
R565	CRD20TJ132T	RES, CARBON(1/5W,1.3Kohm,J)
R566	CRD20TJ561T	RES, CARBON(1/5W,560ohm,J)
R567	CRD20TJ561T	RES, CARBON(1/5W,560ohm,J)
R568	CRD20TJ561T	RES, CARBON(1/5W,560ohm,J)
R569	CRD20TJ561T	RES, CARBON(1/5W,560ohm,J)
R570	CRD20TJ561T	RES, CARBON(1/5W,560ohm,J)
R571	CRD20TJ561T	RES, CARBON(1/5W,560ohm,J)
R572	CRD20TJ561T	RES, CARBON(1/5W,560ohm,J)
R573	CRD20TJ561T	RES, CARBON(1/5W,560ohm,J)
R574	CRD20TJ561T	RES, CARBON(1/5W,560ohm,J)
R575	CRD20TJ561T	RES, CARBON(1/5W,560ohm,J)
R576	CRD20TJ100T	RES, CARBON(1/5W,10ohm,J)
R577	CRD20TJ100T	RES, CARBON(1/5W,10ohm,J)
R578	CRD20TJ100T	RES, CARBON(1/5W,10ohm,J)
R579	CRD20TJ100T	RES, CARBON(1/5W,10ohm,J)
R580	CRD20TJ100T	RES, CARBON(1/5W,10ohm,J)
R581	CRD20TJ561T	RES, CARBON(1/5W,560ohm,J)
R582	CRD20TJ561T	RES, CARBON(1/5W,560ohm,J)
R583	CRD20TJ561T	RES, CARBON(1/5W,560ohm,J)
R584	CRD20TJ561T	RES, CARBON(1/5W,560ohm,J)
R585	CRD20TJ561T	RES, CARBON(1/5W,560ohm,J)
R586	CRD20TJ561T	RES, CARBON(1/5W,560ohm,J)
R587	CRD20TJ561T	RES, CARBON(1/5W,560ohm,J)
R588	CRD20TJ561T	RES, CARBON(1/5W,560ohm,J)
R589	CRD20TJ561T	RES, CARBON(1/5W,560ohm,J)
R590	CRD20TJ561T	RES, CARBON(1/5W,560ohm,J)
R591	CRD20TJ561T	RES, CARBON(1/5W,560ohm,J)
R592	CRD20TJ561T	RES, CARBON(1/5W,560ohm,J)
R593	CRD20TJ561T	RES, CARBON(1/5W,560ohm,J)
R594	CRD20TJ561T	RES, CARBON(1/5W,560ohm,J)
R595	CRD20TJ561T	RES, CARBON(1/5W,560ohm,J)
R596	CRD20TJ561T	RES, CARBON(1/5W,560ohm,J)
R597	CRD20TJ561T	RES, CARBON(1/5W,560ohm,J)
R598	CRD20TJ561T	RES, CARBON(1/5W,560ohm,J)
R599	CRD20TJ561T	RES, CARBON(1/5W,560ohm,J)
R600	CRD20TJ561T	RES, CARBON(1/5W,560ohm,J)
R601	CRD20TJ223T	RES, CARBON(1/5W,22Kohm,J)
R602	CRD20TJ223T	RES, CARBON(1/5W,22Kohm,J)
R603	CRD20TJ223T	RES, CARBON(1/5W,22Kohm,J)
R604	CRD20TJ223T	RES, CARBON(1/5W,22Kohm,J)
R605	CRD20TJ223T	RES, CARBON(1/5W,22Kohm,J)
R606	CRD20TJ223T	RES, CARBON(1/5W,22Kohm,J)

Reference Designator	Part Number	Description
MAIN PCB ASS'Y COP12364D		
R607	CRD20TJ223T	RES, CARBON(1/5W,22Kohm,J)
R608	CRD20TJ223T	RES, CARBON(1/5W,22Kohm,J)
R609	CRD20TJ223T	RES, CARBON(1/5W,22Kohm,J)
R610	CRD20TJ223T	RES, CARBON(1/5W,22Kohm,J)
R611	CRD20TJ100T	RES, CARBON(1/5W,10ohm,J)
R612	CRD20TJ100T	RES, CARBON(1/5W,10ohm,J)
R631	CRD25FJ180T	RES, CARBON (18 OHM) NONFLAMMABLE
R632	CRD25FJ180T	RES, CARBON (18 OHM) NONFLAMMABLE
R633	CRD25FJ180T	RES, CARBON (18 OHM) NONFLAMMABLE
R634	CRD25FJ180T	RES, CARBON (18 OHM) NONFLAMMABLE
R635	CRD25FJ180T	RES, CARBON (18 OHM) NONFLAMMABLE
R636	CRD25FJ180T	RES, CARBON (18 OHM) NONFLAMMABLE
R637	CRD25FJ180T	RES, CARBON (18 OHM) NONFLAMMABLE
R638	CRD25FJ180T	RES, CARBON (18 OHM) NONFLAMMABLE
R639	CRD25FJ180T	RES, CARBON (18 OHM) NONFLAMMABLE
R640	CRD25FJ180T	RES, CARBON (18 OHM) NONFLAMMABLE
R643	CRD20TJ472T	RES, CARBON(1/5W,4.7Kohm,J)
R644	CRD20TJ472T	RES, CARBON(1/5W,4.7Kohm,J)
R645	CRD20TJ102T	RES, CARBON(1/5W,1Kohm,J)
R646	CRD25FJ3R3T	RES, CARBON 3.3 OHM 1/4W J
R647	CRD25FJ3R3T	RES, CARBON 3.3 OHM 1/4W J
R648	CRD25FJ3R3T	RES, CARBON 3.3 OHM 1/4W J
R649	CRD25FJ3R3T	RES, CARBON 3.3 OHM 1/4W J
R650	CRD25FJ3R3T	RES, CARBON 3.3 OHM 1/4W J
R651	CRD25FJ3R3T	RES, CARBON 3.3 OHM 1/4W J
R652	CRD25FJ3R3T	RES, CARBON 3.3 OHM 1/4W J
R653	CRD25FJ3R3T	RES, CARBON 3.3 OHM 1/4W J
R654	CRD25FJ3R3T	RES, CARBON 3.3 OHM 1/4W J
R655	CRD25FJ3R3T	RES, CARBON 3.3 OHM 1/4W J
R666	CRD25TJ470T	RES, CARBON(1/4W,47ohm,J)
R667	CRD25TJ470T	RES, CARBON(1/4W,47ohm,J)
R668	CRD25TJ470T	RES, CARBON(1/4W,47ohm,J)
R669	CRD25TJ470T	RES, CARBON(1/4W,47ohm,J)
R670	CRD25TJ470T	RES, CARBON(1/4W,47ohm,J)
R671	CRD20TJ472T	RES, CARBON(1/5W,4.7Kohm,J)
R672	CRD20TJ472T	RES, CARBON(1/5W,4.7Kohm,J)
R673	CRD20TJ472T	RES, CARBON(1/5W,4.7Kohm,J)
R674	CRD20TJ472T	RES, CARBON(1/5W,4.7Kohm,J)
R675	CRD20TJ472T	RES, CARBON(1/5W,4.7Kohm,J)
R676	CRD25TJ182T	RES, CARBON(1/4W,1.8Kohm,J)
R677	CRD25TJ182T	RES, CARBON(1/4W,1.8Kohm,J)
R678	CRD25TJ182T	RES, CARBON(1/4W,1.8Kohm,J)
R679	CRD25TJ182T	RES, CARBON(1/4W,1.8Kohm,J)
R680	CRD25TJ182T	RES, CARBON(1/4W,1.8Kohm,J)
R681	CRD20TJ562T	RES, CARBON(1/5W,5.6Kohm,J)
R682	CRD20TJ562T	RES, CARBON(1/5W,5.6Kohm,J)
R683	CRD20TJ562T	RES, CARBON(1/5W,5.6Kohm,J)
R684	CRD20TJ562T	RES, CARBON(1/5W,5.6Kohm,J)
R685	CRD20TJ562T	RES, CARBON(1/5W,5.6Kohm,J)
R686	CRD20TJ103T	RES, CARBON(1/5W,10Kohm,J)
R687	CRD20TJ103T	RES, CARBON(1/5W,10Kohm,J)
R688	CRD20TJ103T	RES, CARBON(1/5W,10Kohm,J)
R689	CRD20TJ103T	RES, CARBON(1/5W,10Kohm,J)

Reference Designator	Part Number	Description
MAIN PCB ASS'Y COP12364D		
R690	CRD20TJ103T	RES, CARBON(1/5W,10Kohm,J)
R696	CRD25TJ470T	RES, CARBON(1/4W,47ohm,J)
R697	CRD25TJ470T	RES, CARBON(1/4W,47ohm,J)
R698	CRD25TJ470T	RES, CARBON(1/4W,47ohm,J)
R699	CRD25TJ470T	RES, CARBON(1/4W,47ohm,J)
R700	CRD25TJ470T	RES, CARBON(1/4W,47ohm,J)
R701	CRD20TJ223T	RES, CARBON(1/5W,22Kohm,J)
R702	CRD20TJ103T	RES, CARBON(1/5W,10Kohm,J)
R703	CRD20TJ223T	RES, CARBON(1/5W,22Kohm,J)
R704	CRD20TJ103T	RES, CARBON(1/5W,10Kohm,J)
R705	CRD20TJ472T	RES, CARBON(1/5W,4.7Kohm,J)
R708	CRD20TJ564T	RES, CARBON(1/5W,560Kohm,J)
R709	C3A206	WIRE, COPPER
R710	CRD20TJ1R0T	RES, CARBON(1/5W,1ohm,J)
R711	CRD20TJ272T	RES, CARBON(1/5W,2.7Kohm,J)
R712	CRD20TJ473T	RES, CARBON(1/5W,47Kohm,J)
R713	CRD20TJ563T	RES, CARBON(1/5W,56Kohm,J)
R714	C3A206	WIRE, COPPER
R715	CRD20TJ153T	RES, CARBON(1/5W,15Kohm,J)
R716	CRD20TJ392T	RES, CARBON(1/5W,3.9Kohm,J)
R717	CRD20TJ333T	RES, CARBON(1/5W,33Kohm,J)
R771	CRD20TJ750T	RES, CARBON(1/5W,75ohm,J)
R772	CRD20TJ750T	RES, CARBON(1/5W,75ohm,J)
R773	CRD20TJ750T	RES, CARBON(1/5W,75ohm,J)
R774	CRD20TJ750T	RES, CARBON(1/5W,75ohm,J)
R775	CRD20TJ750T	RES, CARBON(1/5W,75ohm,J)
R776	CRD20TJ750T	RES, CARBON(1/5W,75ohm,J)
R777	CRD20TJ750T	RES, CARBON(1/5W,75ohm,J)
R781	CRD20TJ750T	RES, CARBON(1/5W,75ohm,J)
R782	CRD20TJ750T	RES, CARBON(1/5W,75ohm,J)
R783	CRD20TJ750T	RES, CARBON(1/5W,75ohm,J)
R784	CRD20TJ750T	RES, CARBON(1/5W,75ohm,J)
R785	CRD20TJ750T	RES, CARBON(1/5W,75ohm,J)
R786	CRD20TJ750T	RES, CARBON(1/5W,75ohm,J)
R787	CRD20TJ750T	RES, CARBON(1/5W,75ohm,J)
R801	CRD20TJ103T	RES, CARBON(1/5W,10Kohm,J)
R802	CRD20TJ103T	RES, CARBON(1/5W,10Kohm,J)
R803	CRD20TJ562T	RES, CARBON(1/5W,5.6Kohm,J)
R804	CRD20TJ562T	RES, CARBON(1/5W,5.6Kohm,J)
R805	CRD20TJ472T	RES, CARBON(1/5W,4.7Kohm,J)
R807	CRD20TJ472T	RES, CARBON(1/5W,4.7Kohm,J)
R808	CRD25TJ182T	RES, CARBON(1/4W,1.8Kohm,J)
R809	CRD25TJ182T	RES, CARBON(1/4W,1.8Kohm,J)
R812	CRD25TJ470T	RES, CARBON(1/4W,47ohm,J)
R813	CRD25TJ470T	RES, CARBON(1/4W,47ohm,J)
R814	CRD25TJ470T	RES, CARBON(1/4W,47ohm,J)
R815	CRD25TJ470T	RES, CARBON(1/4W,47ohm,J)
R817	CRD25FJ3R3T	RES, CARBON 3.3 OHM 1/4W J
R818	CRD25FJ3R3T	RES, CARBON 3.3 OHM 1/4W J
R819	CRD25FJ3R3T	RES, CARBON 3.3 OHM 1/4W J
R820	CRD25FJ3R3T	RES, CARBON 3.3 OHM 1/4W J
R821	CRD25FJ180T	RES, CARBON (18 OHM) NONFLAMMABLE
R822	CRD25FJ180T	RES, CARBON (18 OHM) NONFLAMMABLE

Reference Designator	Part Number	Description
MAIN PCB ASS'Y COP12364D		
R823	CRD25FJ180T	RES , CARBON (18 OHM) NONFLAMMABLE
R824	CRD25FJ180T	RES , CARBON (18 OHM) NONFLAMMABLE
R830	CRD20TJ223T	RES , CARBON(1/5W,22Kohm,J)
R831	CRD20TJ223T	RES , CARBON(1/5W,22Kohm,J)
R832	CRD20TJ223T	RES , CARBON(1/5W,22Kohm,J)
R833	CRD20TJ223T	RES , CARBON(1/5W,22Kohm,J)
R834	CRD20TJ561T	RES , CARBON(1/5W,560ohm,J)
R835	CRD20TJ561T	RES , CARBON(1/5W,560ohm,J)
R836	CRD20TJ561T	RES , CARBON(1/5W,560ohm,J)
R837	CRD20TJ561T	RES , CARBON(1/5W,560ohm,J)
R838	CRD20TJ561T	RES , CARBON(1/5W,560ohm,J)
R839	CRD20TJ561T	RES , CARBON(1/5W,560ohm,J)
R840	CRD20TJ561T	RES , CARBON(1/5W,560ohm,J)
R841	CRD20TJ561T	RES , CARBON(1/5W,560ohm,J)
R842	CRD20TJ561T	RES , CARBON(1/5W,560ohm,J)
R843	CRD20TJ561T	RES , CARBON(1/5W,560ohm,J)
R844	CRD20TJ561T	RES , CARBON(1/5W,560ohm,J)
R845	CRD20TJ561T	RES , CARBON(1/5W,560ohm,J)
R848	CRD20TJ273T	RES , CARBON(1/5W,27Kohm,J)
R849	CRD20TJ273T	RES , CARBON(1/5W,27Kohm,J)
R850	CRD20TJ132T	RES , CARBON(1/5W,1.3Kohm,J)
R851	CRD20TJ132T	RES , CARBON(1/5W,1.3Kohm,J)
R852	CRD20TJ152T	RES , CARBON(1/5W,1.5Kohm,J)
R853	CRD20TJ152T	RES , CARBON(1/5W,1.5Kohm,J)
R854	CRD20TJ152T	RES , CARBON(1/5W,1.5Kohm,J)
R855	CRD20TJ152T	RES , CARBON(1/5W,1.5Kohm,J)
R856	CRD20TJ221T	RES , CARBON(1/5W,220ohm,J)
R857	CRD20TJ221T	RES , CARBON(1/5W,220ohm,J)
R858	CRD20TJ221T	RES , CARBON(1/5W,220ohm,J)
R859	CRD20TJ221T	RES , CARBON(1/5W,220ohm,J)
R860	CRD20TJ271T	RES , CARBON(1/5W,270ohm,J)
R861	CRD20TJ271T	RES , CARBON(1/5W,270ohm,J)
R862	CRD20TJ273T	RES , CARBON(1/5W,27Kohm,J)
R863	CRD20TJ273T	RES , CARBON(1/5W,27Kohm,J)
R870	CRD20TJ433T	RES , CARBON(1/5W,43Kohm,J)
R871	CRD20TJ433T	RES , CARBON(1/5W,43Kohm,J)
R872	CRD20TJ471T	RES , CARBON(1/5W,470ohm,J)
R873	CRD20TJ471T	RES , CARBON(1/5W,470ohm,J)
R874	CRD20TJ331T	RES , CARBON(1/5W,330ohm,J)
R875	CRD20TJ331T	RES , CARBON(1/5W,330ohm,J)
R876	CRD20TJ331T	RES , CARBON(1/5W,330ohm,J)
R877	CRD20TJ331T	RES , CARBON(1/5W,330ohm,J)
R878	CRD20TJ331T	RES , CARBON(1/5W,330ohm,J)
R879	CRD20TJ331T	RES , CARBON(1/5W,330ohm,J)
R880	CRD20TJ331T	RES , CARBON(1/5W,330ohm,J)
R882	CRD20TJ122T	RES , CARBON(1/5W,1.2Kohm,J)
R883	CRD20TJ122T	RES , CARBON(1/5W,1.2Kohm,J)
R884	CRD20TJ122T	RES , CARBON(1/5W,1.2Kohm,J)
R885	CRD20TJ122T	RES , CARBON(1/5W,1.2Kohm,J)
R886	CRD20TJ122T	RES , CARBON(1/5W,1.2Kohm,J)
R887	CRD20TJ122T	RES , CARBON(1/5W,1.2Kohm,J)
R888	CRD20TJ122T	RES , CARBON(1/5W,1.2Kohm,J)
R891	CRD20TJ391T	RES , CARBON(1/5W,390ohm,J)

Reference Designator	Part Number	Description
MAIN PCB ASS'Y COP12364D		
R892	CRD20TJ391T	RES, CARBON(1/5W,390ohm,J)
R893	CRD20TJ391T	RES, CARBON(1/5W,390ohm,J)
R894	CRD20TJ391T	RES, CARBON(1/5W,390ohm,J)
R895	CRD20TJ391T	RES, CARBON(1/5W,390ohm,J)
R896	CRD20TJ391T	RES, CARBON(1/5W,390ohm,J)
R897	CRD20TJ391T	RES, CARBON(1/5W,390ohm,J)
R901	CRD20TJ272T	RES, CARBON(1/5W,2.7Kohm,J)
R908	CRD20TJ333T	RES, CARBON(1/5W,33Kohm,J)
R909	CRD20TJ333T	RES, CARBON(1/5W,33Kohm,J)
R912	CRD20TJ332T	RES, CARBON(1/5W,3.3Kohm,J)
R915	KRG1SANJ101RT	RES, METAL(OXIDE)FILM,5% 100/1W(RADIAL)
R917	CRD25TJ393T	RES, CARBON(1/4W,39Kohm,J)
R918	CRD25TJ393T	RES, CARBON(1/4W,39Kohm,J)
R919	CRD25TJ393T	RES, CARBON(1/4W,39Kohm,J)
R920	CRD25TJ393T	RES, CARBON(1/4W,39Kohm,J)
R924	CRD20TJ473T	RES, CARBON(1/5W,47Kohm,J)
R925	CRD20TJ473T	RES, CARBON(1/5W,47Kohm,J)
R926	CRD20TJ473T	RES, CARBON(1/5W,47Kohm,J)
R927	CRD20TJ104T	RES, CARBON(1/5W,100Kohm,J)
R928	CRD20TJ222T	RES, CARBON(1/5W,2.2Kohm,J)
R929	CRD20TJ222T	RES, CARBON(1/5W,2.2Kohm,J)
R930	CRD20TJ222T	RES, CARBON(1/5W,2.2Kohm,J)
R933	CRD20TJ472T	RES, CARBON(1/5W,4.7Kohm,J)
R934	CRD20TJ153T	RES, CARBON(1/5W,15Kohm,J)
R935	CRD20TJ562T	RES, CARBON(1/5W,5.6Kohm,J)
R939	CRD20TJ472T	RES, CARBON(1/5W,4.7Kohm,J)
R940	CRD20TJ152T	RES, CARBON(1/5W,1.5Kohm,J)
R941	CRD25TJ223T	RES, CARBON(1/4W,22Kohm,J)
R942	CRD20TJ223T	RES, CARBON(1/5W,22Kohm,J)
R943	CRD20TJ223T	RES, CARBON(1/5W,22Kohm,J)
R944	CRD25TJ223T	RES, CARBON(1/4W,22Kohm,J)
R945	CRD25TJ223T	RES, CARBON(1/4W,22Kohm,J)
R946	CRD25TJ223T	RES, CARBON(1/4W,22Kohm,J)
R947	CRD20TJ223T	RES, CARBON(1/5W,22Kohm,J)
R952	CRD25TJ223T	RES, CARBON(1/4W,22Kohm,J)
R953	CRD20TJ223T	RES, CARBON(1/5W,22Kohm,J)
R954	CRD20TJ223T	RES, CARBON(1/5W,22Kohm,J)
R955	CRD20TJ563T	RES, CARBON(1/5W,56Kohm,J)
R956	CRD20TJ274T	RES, CARBON(1/5W,270Kohm,J)
R957	CRD20TJ153T	RES, CARBON(1/5W,15Kohm,J)
R958	CRD20TJ563T	RES, CARBON(1/5W,56Kohm,J)
R959	CRD20TJ104T	RES, CARBON(1/5W,100Kohm,J)
R960	CRD20TJ103T	RES, CARBON(1/5W,10Kohm,J)
R961	CRD20TJ331T	RES, CARBON(1/5W,330ohm,J)
R962	CRD20TJ273T	RES, CARBON(1/5W,27Kohm,J)
R964	CRD20TJ223T	RES, CARBON(1/5W,22Kohm,J)
R965	CRD20TJ223T	RES, CARBON(1/5W,22Kohm,J)
R986	CRD20TJ102T	RES, CARBON(1/5W,1Kohm,J)
R987	CRD20TJ561T	RES, CARBON(1/5W,560ohm,J)
R988	CRD20TJ562T	RES, CARBON(1/5W,5.6Kohm,J)
R989	CRD20TJ302T	RES, CARBON(1/5W,3Kohm,J)
R991	CRD20TJ822T	RES, CARBON(1/5W,8.2Kohm,J)
R998	CRD20TJ103T	RES, CARBON(1/5W,10Kohm,J)

Reference Designator	Part Number	Description	
MAIN PCB ASS'Y COP12364D			
VR81	CVN12A221B03T	RES , SEMI FIXED (220 OHM)NVZ6TLTAB221/HOKURIKU	
VR82	CVN12A221B03T	RES , SEMI FIXED (220 OHM)NVZ6TLTAB221/HOKURIKU	
VR83	CVN12A221B03T	RES , SEMI FIXED (220 OHM)NVZ6TLTAB221/HOKURIKU	
VR84	CVN12A221B03T	RES , SEMI FIXED (220 OHM)NVZ6TLTAB221/HOKURIKU	
VR85	CVN12A221B03T	RES , SEMI FIXED (220 OHM)NVZ6TLTAB221/HOKURIKU	
VR86	CVN12A221B03T	RES , SEMI FIXED (220 OHM)NVZ6TLTAB221/HOKURIKU	
VR87	CVN12A221B03T	RES , SEMI FIXED (220 OHM)NVZ6TLTAB221/HOKURIKU	
	CMYAVR2650	HEAT SINK ASS'Y	
	CFNRDH8025S	MOTOR , FAN (80X80X25) 12V, 0.17A	
	CHD1A012R	SCREW , SPECIAL	14.0
	CHD1A036R	SCREW , SPECIAL	4.0
	CHD3A012R	SCREW , SPECIAL	12.0
	CMD1A417	BRACKET , PCB AG-D8900	2.0
	CMD1A674	BRACKET , H/S	2.0
	CMD1A694	BRACKET , FAN	
	CMY4A314	HEAT SINK	
	CTB3+8JR	SCREW	6.0
	CTW3+8JR	SCREW	2.0
Q652	CVT2SB1560P43M	TRANSISTOR Power, 2SB1560, MT-100(TO3P) w MICA M43	
Q653	CVT2SB1560P43M	TRANSISTOR Power, 2SB1560, MT-100(TO3P) w MICA M43	
Q654	CVT2SB1560P43M	TRANSISTOR Power, 2SB1560, MT-100(TO3P) w MICA M43	
Q655	CVT2SB1560P43M	TRANSISTOR Power, 2SB1560, MT-100(TO3P) w MICA M43	
Q657	CVT2SD2390P43M	TRANSISTOR Power, 2SD2390, MT-100(TO3P) w MICA M43	
Q658	CVT2SD2390P43M	TRANSISTOR Power, 2SD2390, MT-100(TO3P) w MICA M43	
Q659	CVT2SD2390P43M	TRANSISTOR Power, 2SD2390, MT-100(TO3P) w MICA M43	
Q660	CVT2SD2390P43M	TRANSISTOR Power, 2SD2390, MT-100(TO3P) w MICA M43	
Q661	CVT2SB1560P43M	TRANSISTOR Power, 2SB1560, MT-100(TO3P) w MICA M43	
Q670	CVT2SD2390P43M	TRANSISTOR Power, 2SD2390, MT-100(TO3P) w MICA M43	
Q803	CVT2SD2390P43M	TRANSISTOR Power, 2SD2390, MT-100(TO3P) w MICA M43	
Q804	CVT2SB1560P43M	TRANSISTOR Power, 2SB1560, MT-100(TO3P) w MICA M43	
Q805	CVT2SD2390P43M	TRANSISTOR Power, 2SD2390, MT-100(TO3P) w MICA M43	
Q807	CVT2SB1560P43M	TRANSISTOR Power, 2SB1560, MT-100(TO3P) w MICA M43	
Q851	HVTKTD600KGR	TRANSISTOR, BIAS KTD600KGR	
Q852	HVTKTD600KGR	TRANSISTOR, BIAS KTD600KGR	
Q853	HVTKTD600KGR	TRANSISTOR, BIAS KTD600KGR	
Q854	HVTKTD600KGR	TRANSISTOR, BIAS KTD600KGR	
Q855	HVTKTD600KGR	TRANSISTOR, BIAS KTD600KGR	
Q856	HVTKTD600KGR	TRANSISTOR, BIAS KTD600KGR	
Q857	HVTKTD600KGR	TRANSISTOR, BIAS KTD600KGR	
BN14	CWB1D00718088	WIRE ASS'Y (2.5MM,180MM, 7PIN, DUAL-DIPP TYPE)	
BN15	CWB1D00915088	WIRE ASS'Y (2.5mm,150mm, 9pin, Dual-dip type)	
BN20	CWB3F905300UZ	WIRE ASS'Y (3.96mm, 300mm, 5pin)	
BN25	CWE8112120VV	WIRE ASS'Y (1PIN,120mm,LUG,#18,RED)	
BN26	CWE8112120VV	WIRE ASS'Y (1PIN,120mm,LUG,#18,RED)	
CN10	CJP03GA01ZY	WAFER, YMW025(2.5mm,STRAIGHT)	
CN11	CJP08GA221ZB	FEMALE HEADER (08P,2.54mm) , STRAIGHT TYPE	
CN12	CJP27GA285ZN	WAFER,FPC 1.25mm, stright 1.25-2-NP	
CN61	CJP02GA01ZY	WAFER, YMW025(2.5mm,STRAIGHT)	
CN62	CJP02GA01ZY	WAFER, YMW025(2.5mm,STRAIGHT)	
CN63	CJP02GA01ZY	WAFER, YMW025(2.5mm,STRAIGHT)	
CN64	CJP02GA01ZY	WAFER, YMW025(2.5mm,STRAIGHT)	
CN65	CJP02GA01ZY	WAFER, YMW025(2.5mm,STRAIGHT)	
CN66	CJP02GA01ZY	WAFER, YMW025(2.5mm,STRAIGHT)	

Reference Designator	Part Number	Description
MAIN PCB ASS'Y COP12364D		
CN67	CJP02GA01ZY	WAFER , YMW025 (2.5mm , STRAIGHT)
CN89	CJP02GA01ZY	WAFER , YMW025 (2.5mm , STRAIGHT)
CN90	CJP02GA89ZY	WAFER , YW396 - NNAB (7.92mm)
CN91	CJP02GA89ZY	WAFER , YW396 - NNAB (7.92mm)
CN92	CJP02KA060ZY	WAFER
CN93	CJP02GA01ZY	WAFER , YMW025 (2.5mm , STRAIGHT)
C632	CCEA1JH221E	CAP , ELECT 220UF 63V
C633	CCEA1JH221E	CAP , ELECT 220UF 63V
C637	CCEA1JH221E	CAP , ELECT 220UF 63V
C638	CCEA1JH221E	CAP , ELECT 220UF 63V
C904	KCKDKS472ME	CAP , CERAMIC (X1 / Y2 / SC) 0.0047UF / 2.5KV
C906	CCEA1VH102E	CAP , ELECT (35V / 1000uF) KR3 - 35V102MG (12.5 * 20L)
C915	CCET63VKL5103NK	CAP , ELECT
C916	CCET63VKL5103NK	CAP , ELECT
ET92	CMD1A569	BRACKET , PCB
ET93	CMD1A387	BRACKET , PCB
IC95	CVINJU7223F50	I.C , REGULATOR (5V , TO - 220F) NJU7223F50
JK90	CJJ4M070Z	JACK , 1P (PURPLE) , GOLD PLATE RCA - 107BAG - 01
JK91	CJJ5R006Z	TERMINAL , SPEAKER
JK92	CJJ5Q012Z	TERMINAL , SPEAKER
JW91	CWE8112120VV	WIRE ASS'Y (1PIN , 120mm , LUG , #18 , RED)
L501	CLEY0R5KAK	COIL , SPEAKER (0.5uH) SPRING COIL 8TS / KSE
L502	CLEY0R5KAK	COIL , SPEAKER (0.5uH) SPRING COIL 8TS / KSE
L503	CLEY0R5KAK	COIL , SPEAKER (0.5uH) SPRING COIL 8TS / KSE
L504	CLEY0R5KAK	COIL , SPEAKER (0.5uH) SPRING COIL 8TS / KSE
L505	CLEY0R5KAK	COIL , SPEAKER (0.5uH) SPRING COIL 8TS / KSE
L506	CLEY0R5KAK	COIL , SPEAKER (0.5uH) SPRING COIL 8TS / KSE
L507	CLEY0R5KAK	COIL , SPEAKER (0.5uH) SPRING COIL 8TS / KSE
Q858	HVTKTA1360Y	TRANSISTOR , PRE DRIVE KTA1360Y
Q871	HVTKTA1360Y	TRANSISTOR , PRE DRIVE KTA1360Y
Q872	HVTKTA1360Y	TRANSISTOR , PRE DRIVE KTA1360Y
Q874	HVTKTA1360Y	TRANSISTOR , PRE DRIVE KTA1360Y
Q875	HVTKTA1360Y	TRANSISTOR , PRE DRIVE KTA1360Y
Q876	HVTKTA1360Y	TRANSISTOR , PRE DRIVE KTA1360Y
Q877	HVTKTA1360Y	TRANSISTOR , PRE DRIVE KTA1360Y
Q881	HVTKTC3423Y	TRANSISTOR , PRE DRIVE KTC3423Y
Q882	HVTKTC3423Y	TRANSISTOR , PRE DRIVE KTC3423Y
Q883	HVTKTC3423Y	TRANSISTOR , PRE DRIVE KTC3423Y
Q884	HVTKTC3423Y	TRANSISTOR , PRE DRIVE KTC3423Y
Q885	HVTKTC3423Y	TRANSISTOR , PRE DRIVE KTC3423Y
Q886	HVTKTC3423Y	TRANSISTOR , PRE DRIVE KTC3423Y
Q887	HVTKTC3423Y	TRANSISTOR , PRE DRIVE KTC3423Y
RY94	CSL1C005ZE	RELAY (DC 5V , 1C1P) HL3 - 1A - 5SH
R656	CRF5EKR27HX2K	RES , CEMENT (0.27 OHM)
R657	CRF5EKR27HX2K	RES , CEMENT (0.27 OHM)
R658	CRF5EKR27HX2K	RES , CEMENT (0.27 OHM)
R659	CRF5EKR27HX2K	RES , CEMENT (0.27 OHM)
R660	CRF5EKR27HX2K	RES , CEMENT (0.27 OHM)
R706	CRF5EKR10HS	RES , CEMENT (SMALL SIZE)
R707	CRF5EKR10HS	RES , CEMENT (SMALL SIZE)
R810	CRF5EKR27HX2K	RES , CEMENT (0.27 OHM)
R811	CRF5EKR27HX2K	RES , CEMENT (0.27 OHM)
R905	CRG1ANJ1R0H	RES , METAL OXIDE FILM 1 OHM 1W J

Reference Designator	Part Number	Description
MAIN PCB ASS'Y COP12364D		
R922	CRG2ANJ470H	RES , METAL OXIDE FILM 47 OHM 2W J
R923	CRG1ANJ220H	RES , METAL OXIDE FILM 22 OHM 1W J
R990	CRG1ANJ100H	RES , METAL OXIDE FILM 10 OHM 1W J
R993	CRG1ANJ100H	RES , METAL OXIDE FILM 10 OHM 1W J
R994	CRG1ANJ100H	RES , METAL OXIDE FILM 10 OHM 1W J
R995	CRG1ANJ100H	RES , METAL OXIDE FILM 10 OHM 1W J
R996	CRG1ANJ100H	RES , METAL OXIDE FILM 10 OHM 1W J
R997	CRG1ANJ100H	RES , METAL OXIDE FILM 10 OHM 1W J
R999	CRG1ANJ100H	RES , METAL OXIDE FILM 10 OHM 1W J
TH91	KRTP42T7D330B	THERMAL SENSOR , POSISTOR P42T7D330BW20
T902	CLT5I025ZU	TRANS , SUB (AVR156X/1650/2650/3650)

DC-DC PCB ASS'Y COP12365D

C123	CCUS1H473KC	CAP , CHIP(1608 , 50V/0.047uF)
C124	CCUS1H473KC	CAP , CHIP(1608 , 50V/0.047uF)
C127	CCUS1H104KC	CAP , CHIP(1608 , 50V/0.1uF)
C135	CCUS1H104KC	CAP , CHIP(1608 , 50V/0.1uF)
C136	CCUS1H104KC	CAP , CHIP(1608 , 50V/0.1uF)
C920	CCUS1H104KC	CAP , CHIP(1608 , 50V/0.1uF)
C921	CCUS1H221JA	CAP , CHIP(1608 , 50V/220pF)
C922	CCUS1H104KC	CAP , CHIP(1608 , 50V/0.1uF)
C923	CCUS1H103KC	CAP , CHIP(1608 , 50V/0.01uF)
C924	CCUS1H103KC	CAP , CHIP(1608 , 50V/0.01uF)
C925	CCUS1H104KC	CAP , CHIP(1608 , 50V/0.1uF)
C926	CCEC1ACEEX151TY	CAP , ELEC SMD (150uF/10V, 8X10.5,SANYO)10CE150EX
C936	CCUS1H473KC	CAP , CHIP(1608 , 50V/0.047uF)
C937	CCUS1H473KC	CAP , CHIP(1608 , 50V/0.047uF)
C950	CCUS1H104KC	CAP , CHIP(1608 , 50V/0.1uF)
C951	CCUS1H221JA	CAP , CHIP(1608 , 50V/220pF)
C952	CCUS1H104KC	CAP , CHIP(1608 , 50V/0.1uF)
C953	CCUS1H103KC	CAP , CHIP(1608 , 50V/0.01uF)
C954	CCUS1H103KC	CAP , CHIP(1608 , 50V/0.01uF)
C955	CCUS1H104KC	CAP , CHIP(1608 , 50V/0.1uF)
C956	CCEC1ACEEX151TY	CAP , ELEC SMD (150uF/10V,8X10.5, SANYO) 10CE150EX
C960	CCEC1EHVH151TY	CAP , ELEC SMD (150uF/25V,8X10.5, SANYO) 25HVH150M
C961	CCUS1H104KC	CAP , CHIP(1608 , 50V/0.1uF)
C962	CCUS1H221JA	CAP , CHIP(1608 , 50V/220pF)
C963	CCUS1H104KC	CAP , CHIP(1608 , 50V/0.1uF)
C964	CCUS1H103KC	CAP , CHIP(1608 , 50V/0.01uF)
C965	CCUS1H103KC	CAP , CHIP(1608 , 50V/0.01uF)
C966	CCUS1H104KC	CAP , CHIP(1608 , 50V/0.1uF)
C967	CCEC1ACEEX151TY	CAP , ELEC SMD (150uF/10V, 8X10.5, SANYO) 10CE150EX
D920	CVDSS34SR	DIODE , SCHOTTKY (40V,3A, DO-214AC)DELTA SS34SR
D950	CVDSS34SR	DIODE , SCHOTTKY (40V,3A, DO-214AC)DELTA S34SR
D960	CVDSS34SR	DIODE , SCHOTTKY (40V,3A, DO-214AC)DELTA SS34SR
IC90	CVISI8005QTL	IC, DCDC Converter (3.5A, SOP8) SANKEN SI8005QTL
IC95	CVISI8005QTL	IC, DCDC Converter (3.5A, SOP8) SANKEN SI8005QTL
IC96	CVISI8005QTL	IC, DCDC Converter (3.5A, SOP8) SANKEN SI8005QTL
L900	CLQ12E100MRZ	COIL , SMD POWER (10UH/3A) CMI-SPC9H45F-SERIES
L901	CLZ9Z014Z	FERRITE , CHIP BEAD(60ohm,4516)HCB4516KF-600T60/COILMASTER
L902	CLZ9Z014Z	FERRITE , CHIP BEAD(60ohm,4516)HCB4516KF-600T60/COILMASTER
L903	CLZ9Z014Z	FERRITE , CHIP BEAD(60ohm,4516)HCB4516KF-600T60/COILMASTER

Reference Designator	Part Number	Description
DC-DC PCB ASS'Y COP12365D		
L904	CLZ9Z014Z	FERRITE , CHIP BEAD(60ohm,4516)HCB4516KF-600T60/COILMASTER
L920	CLQ12E100MRZ	COIL , SMD POWER (10UH/3A) CMI-SPC9H45F-SERIES
L950	CLQ12E100MRZ	COIL , SMD POWER (10UH/3A) CMI-SPC9H45F-SERIES
L960	CLQ12E100MRZ	COIL , SMD POWER (10UH/3A) CMI-SPC9H45F-SERIES
R120	CRJ10DJ104T	RES, CHIP(1608/5%/100Kohm)
R912	CRJ10DJ153T	RES, CHIP(1608/5%/15Kohm)
R913	CRJ10DJ153T	RES, CHIP(1608/5%/15Kohm)
R920	CRJ10DJ223T	RES, CHIP(1608/5%/22Kohm)
R921	CRJ10DJ683T	RES, CHIP(1608/5%/68Kohm)
R922	CRJ10DJ623T	RES, CHIP(1608/5%/62Kohm)
R923	CRJ10DJ473T	RES, CHIP(1608/5%/47Kohm)
R924	CRJ10DJ0R0T	RES, CHIP(1608/5%/0ohm)
R925	CRJ10DJ512T	RES, CHIP(1608/5%/5.1Kohm)
R942	CRJ10DJ104T	RES, CHIP(1608/5%/100Kohm)
R950	CRJ10DJ223T	RES, CHIP(1608/5%/22Kohm)
R951	CRJ10DJ683T	RES, CHIP(1608/5%/68Kohm)
R952	CRJ10DJ623T	RES, CHIP(1608/5%/62Kohm)
R953	CRJ10DJ753T	RES, CHIP(1608/5%/75Kohm)
R954	CRJ10DJ332T	RES, CHIP(1608/5%/3.3Kohm)
R955	CRJ10DJ512T	RES, CHIP(1608/5%/5.1Kohm)
R960	CRJ10DJ223T	RES, CHIP(1608/5%/22Kohm)
R961	CRJ10DJ683T	RES, CHIP(1608/5%/68Kohm)
R962	CRJ10DJ623T	RES, CHIP(1608/5%/62Kohm)
R963	CRJ10DJ273T	RES, CHIP(1608/5%/27Kohm)
R964	CRJ10DJ222T	RES, CHIP(1608/5%/2.2Kohm)
R965	CRJ10DJ512T	RES, CHIP(1608/5%/5.1Kohm)
C131	CCEA1HH4R7T	CAP , ELECT(50V/4.7uF) KR3-50V4R7MA(5*11L)
C912	CCEA0JH102T	CAP , ELECT(1000uF/6.3V) 1000UF 6.3V
C939	CCEA1EH101T	CAP , ELECT(25V/100uF) KR3-25V101MB(6.3*11L)
C940	CCEA1EH101T	CAP , ELECT(25V/100uF) KR3-25V101MB(6.3*11L)
BN20	CWB1D01110058	WIRE ASS'Y
CN11	CJP08GB142ZB	PIN HEADER (08P, 2.54mm) , ANGLE TYPE
CN82	CJP07GI237ZW	LOCK-WAFER/STRAIGHT/2.5mm
CN96	CJP09GJ243ZW	LOCK-WAFER/ANGLE/2.5mm
C129	CCEA1EH103E	CAP, ELECT(25V/10000uF)22x30 KR3-025V103MM300
C929	CCEA1VH222EZ	CAP, ELECT (2200UF/35V, 12.5X31)KR3-35V222MH1-L/C4.0
C930	CCEA1VH222EZ	CAP, ELECT (2200UF/35V, 12.5X31)KR3-35V222MH1-L/C4.0
IC83	CVIKIA278R15PI	I.C, REGULATOR(15V OUTPUT LOW DROP) KIA278R15PI
IC84	CVIKIA7915PI	I.C, REGULATOR(-15V, TO-220AB) KIA7915PI

POWER PCB ASS'Y COP12394D

C104	HCQI1H103JZT	CAP , MYLAR	0.01UF	50V	J
C105	HCQI1H103JZT	CAP , MYLAR	0.01UF	50V	J
C106	HCQI1H104JZT	CAP , MYLAR	0.1UF	50V	J
C107	HCQI1H103JZT	CAP , MYLAR	0.01UF	50V	J
C108	HCQI1H103JZT	CAP , MYLAR	0.01UF	50V	J
C109	HCQI1H104JZT	CAP , MYLAR	0.1UF	50V	J
C132	CCFT1H473ZF	CAP , CERAMIC	0.047UF	50V	Z
C133	CCFT1H473ZF	CAP , CERAMIC	0.047UF	50V	Z
C134	CCFT1H473ZF	CAP , CERAMIC	0.047UF	50V	Z
C921	KCME2E104JP04T	CAP , M-FILM (250V/0.1uF)			
C922	CCME2A104JXT	CAP,METAL-FILM(100V/0.1uF)			HMFS104J2AP050T

Reference Designator	Part Number	Description
POWER PCB ASS'Y COP12394D		
C923	CCME2A104JXT	CAP,METAL-FILM(100V/0.1uF) HMFS104J2AP050T
C924	HCQI1H473JZT	CAP , MYLAR 0.047UF 50V J
C925	HCQI1H473JZT	CAP , MYLAR 0.047UF 50V J
D114	CVD1N4003ST	DIODE , RECT 1N4003
D115	CVD1N4003ST	DIODE , RECT 1N4003
D116	CVD1N4003ST	DIODE , RECT 1N4003
D117	CVD1N4003ST	DIODE , RECT 1N4003
D124	CVD1N4003ST	DIODE , RECT 1N4003
D125	CVD1N4003ST	DIODE , RECT 1N4003
D921	CVD1N4003ST	DIODE , RECT 1N4003
F110	KBA2D6300A2EYT	FUSE(382 Series, 250V, 6.3A)
F111	KBA2D6300A2EYT	FUSE(382 Series, 250V, 6.3A)
R901	C3A206	WIRE , COPPER SN95/PB5 , 0.6
R902	C3A206	WIRE , COPPER SN95/PB5 , 0.6
BN96	CWB1D00912058	WIRE ASS'Y (LOCKING TYPE, 2.5MM, 9PIN, 120MM)
CN20	CJP05GA90ZY	WAFER , 5P(DIP, 3.96PITCH)
C135	CCEA1EH472E	CAP , ELECT(25V/4700uF) KR3-25V472MR(16*31.5L)
D701	CVDKBU804FMA	BRIDGE DIODE ASS'Y KBU804F
	CMY1A219	HEAT SINK (BRIDGE DIODE)
	CTB3+12JR	SCREW
D991	CVDGBJ1506BIA	DIODE HEAT SINK ASS'Y (CMY2A138)
	CMY2A138	HEAT SINK
	CTB3+8JR	SCREW
	HVDGBJ1506	DIODE , BRIDGE(15A/600V) GBJ1506
RY21	CSL4B019ZU	RELAY GB-2C-D24P
R104	CRQ1AJR47H	RES , FUSE
R105	CRQ1AJR47H	RES , FUSE
	CRE1A076	SUPPORT , PCB 2.0
	CTB3+6FFZR	SCREW 11.0
	CTB3+6JR	SCREW 7.0
	CTB3+8JFZR	SCREW 19.0
	CTS3+8JFZR	SCREW 4.0
	CTW3+12JR	SCREW 2.0
	CTW3+8JR	SCREW 3.0
	CUA4A294	CHASSIS , BOTTOM SECC 1.2T
	KMC1A186	SHIELD, CUSHION 2.0
BN90	CSH1A015ZA	SWITCH , MOMS WIRE ASS'Y (2P, 80MM, RED)
	CSH1A015Z	SWITCH , MOMS(OR-L-11G-BB) OR-L-11G-BB
	CWB4F202080UK	WIRE ASS'Y (3.96MM, 80MM, 2P, RED)
BN92	CWZPM5003TW91A	2P WIRE ASS'Y(100MM)
RT01	CJJ8A006ZW	RECEPTACLE , AC(15A/250V,R-301,B21) R-301(B21)
TW91	CWZPM5003TW91	2P WIRE ASS'Y(100MM)
CN12	CWC4C4A27B100B10	CARD , CABLE (27p,1.25mm Pitch,100mm Protec
F901	KBA2C8000TLEY	FUSE(218 Series, 250V, 8A)
T901	CLT5V058ZU	TRANS , POWER(AVR2650)
WF104	CWC4F2A17A100A10	CARD CABLE (1.0mm , A type , 17pin , 100mm)
WF105	CWC4F2A17A080A10	CARD , CABLE (17P/1.00mm/80mm , A TYPE)

MISCELLANEOUS/MECHANICAL

CHE154	CLAMPER , ARM	
	CGB1A233Z	BADGE , AVR2650
	CGL1A222	INDICATOR , VOLUME

Reference Designator	Part Number	Description
	CGR1A530H63	COVER , USB
	CGU1A318Y	ORNAMENT , VOLUME
	CGU2A410A250	WINDOW , FIP
	CGWAVR2650	FRONT PANEL ASS'Y
	CBT2A1064	KNOB , STANDBY
	CBT2A1065	KNOB , BACK
	CGB3A158Z	BADGE , HARMAN/KARDON (FRONT)
	CGL1A265Y	INDICATOR , POWER
	CGW6A447RHUB24	PANEL , FRONT
	CHG1A309	RUBBER
	CMC1A372	PLATE , SHIELD
	CMC1A414	PLTE , EARTH USB & HDMI
	CMC1A416	PLATE , EARTH TOP
	CMC3A338	PLATE , EARTH
	CMD1A555	BRACKET , SIDE (L)
	CMD2A443	BRACKET , SIDE
	CMH2A215	HOLDER , LED
	CMZ1A127	FILTER , FIP

2.0

2.0

2.0

TECHNICAL DATA

Interface Transceiver of RS-232 Standard with One Supply Voltage

ILX3232

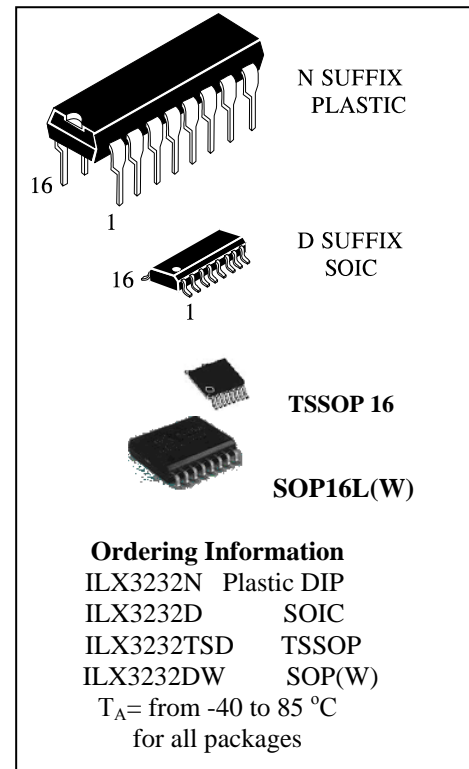
DESCRIPTION

The ILX3232 is a 3V powered EIA/TIA-232 and V.28/V.24 communication interface with low power requirements, high data-rate capabilities. ILX3232 has a proprietary low dropout transmitter output stage providing true RS-232 performance from 3 to 5.5V supplies. The device requires only four small 0.1 μ F standard external capacitors for operations from 3V supply.

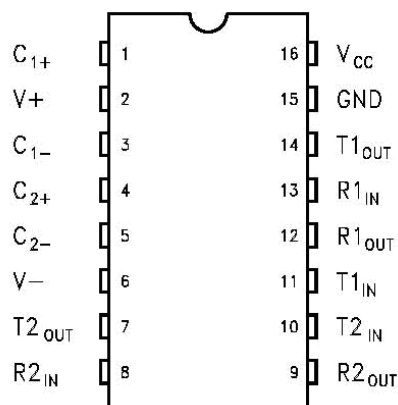
The ILX3232 has two receivers and two drivers. The device is guaranteed to run at data rates of 250Kbps while maintaining RS-232 output levels. Typical applications are Notebook, Subnotebook and Palmtop Computers, Battery Powered Equipment, Hand-Held Equipment, Peripherals and Printers.

FEATURES

- 300 μ A SUPPLY CURRENT
- 120Kbps MINIMUM GUARENTEED DATA RATE
- 3V/ μ s MINIMUM GUARANTEED SLEW RATE
- ENHANCED ESD SPECIFICATIONS:
±15kV IEC1000-4-2 Air Discharge
- AVAILABLE IN DIP-16, SO-16, TSSOP16 AND SOP16L(W)



PIN CONFIGURATION



ILX3232

PIN DESCRIPTION

PIN N°	SYMBOL	NAME AND FUNCTION
1	C1+	Positive Terminal for the first Charge Pump Capacitor
2	V+	Doubled Voltage Terminal
3	C1	Negative Terminal for the first Charge Pump Capacitor
4	C2+	Positive Terminal for the second Charge Pump Capacitor
5	C2	Negative Terminal for the second Charge Pump Capacitor
6	V-	Inverted Voltage Terminal
7	T2OUT	Second Transmitter Output Voltage
8	R2IN	Second Receiver Input Voltage
9	R2OUT	Second Receiver Output Voltage
10	T2IN	Second Transmitter Input Voltage
11	T1IN	First Transmitter Input Voltage
12	R1OUT	First Receiver Output Voltage
13	R1IN	First Receiver Input Voltage
14	T1OUT	First Transmitter Output Voltage
15	GND	Ground
16	VCC	Supply Voltage

ABSOLUTE MAXIMUM RATING

Symbol	Parameter	Value	Unit
VCC	Supply Voltage	-0.3 to 6	V
V+	Doubled Voltage Terminal	(VCC - 0.3) to 7	V
V-	Inverted Voltage Terminal	0.3 to -7	V
V+ + V-		13	V
TIN	Transmitter Input Voltage Range	-0.3 to 6	V
RIN	Receiver Input Voltage Range	± 25	V
TOUT	Transmitter Output Voltage Range	± 13.2	V
ROUT	Receiver Output Voltage Range	-0.3 to (VCC + 0.3)	V
tSHORT	Transmitter Output Short to GND Time	Continuous	

Absolute Maximum Ratings are those values beyond which damage to the device may occur. Functional operation under these condition is not implied. V+ and V- can have a maximum magnitude of +7V, but their absolute addition can not exceed 13 V.

IDT74FCT38074
3.3V CMOS 1-TO-4 CLOCK DRIVER

INDUSTRIAL TEMPERATURE RANGE



3.3V CMOS
1-TO-4 CLOCK DRIVER

IDT74FCT38074

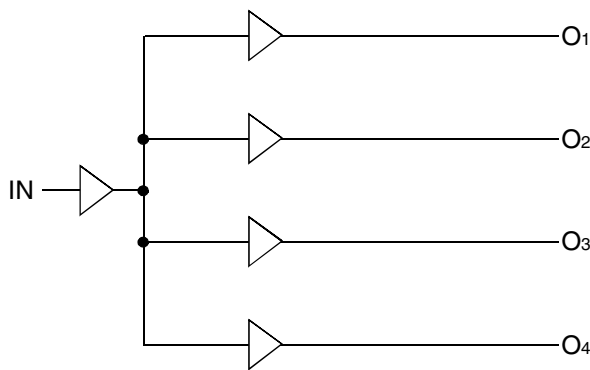
FEATURES:

- Advanced CMOS Technology
- Guaranteed low skew < 100ps (max.)
- Very low duty cycle distortion < 250ps (max.)
- High speed propagation delay < 3ns (max.)
- Very low CMOS power levels
- TTL compatible inputs and outputs
- 1:4 fanout
- Maximum output rise and fall time < 1.5ns (max.)
- Low input capacitance: 3pF typical
- Vcc = 3.3V ± 0.3V
- Inputs can be driven from 3.3V or 5V components
- Operating frequency up to 166MHz
- Available in SOIC package

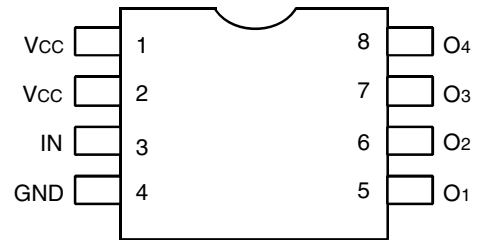
DESCRIPTION:

The FCT38074 is a 3.3V clock driver built using advanced CMOS technology. This low skew clock driver offers 1:4 fanout. The large fanout from a single input reduces loading on the preceding driver and provides an efficient clock distribution network. Multiple power and grounds reduce noise. Typical applications are clock and signal distribution.

FUNCTIONAL BLOCK DIAGRAM



PIN CONFIGURATION



SOIC
TOP VIEW



NJM2581

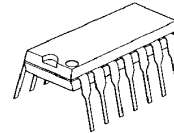
DUAL SUPPLY WIDE BAND 3ch VIDEO AMPLIFIER

■ GENERAL DESCRIPTION

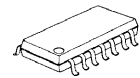
The **NJM2581** is a dual supply voltage wide band 3ch video amplifier. It is suitable for Y, Pb, and Pr signal because frequency range is 50MHz.

The **NJM2581** is suitable for Set Top Box, AV amplifier, and other high quality AV systems.

■ PACKAGE OUTLINE



NJM2581D

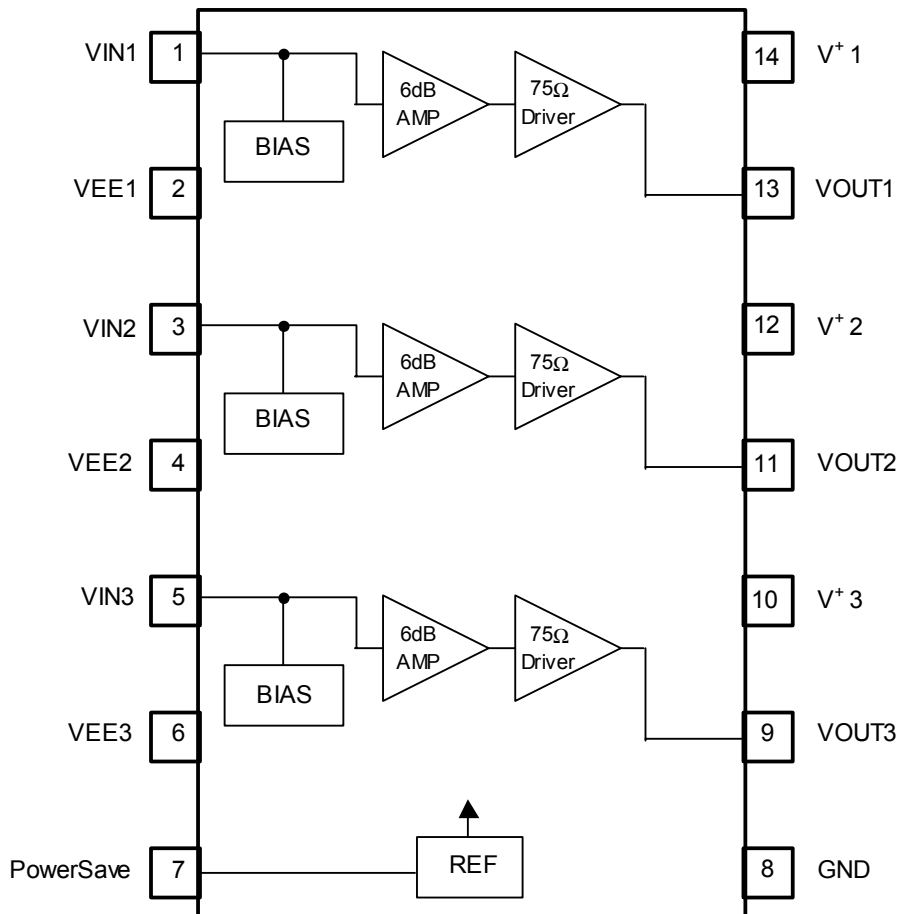


NJM2581M

■ FEATURES

- Operating Voltage ± 4.5 to ± 5.5 V
- Wide frequency range 50MHz at 0dB typ.
- Internal 6dB Amplifier
- Internal 75Ω Driver Circuit (2-system drive)
- Power Save Circuit
- Bipolar Technology
- Package Outline DIP14, DMP14

■ BLOCK DIAGRAM





SINGLE ISOLATION AMPLIFIER

NJM2505A

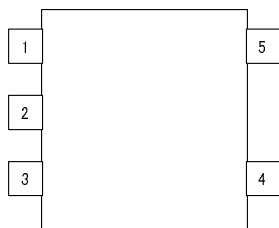
■ GENERAL DESCRIPTION

NJM2505A is the single isolation amplifier developed by the video signal. It can remove the noise of a signal with isolation amplifier and carries in the small package (MTP5), it is suitable for the interface of the video signal of a car AV system.

■ FEATURES

- Operating Voltage 4.5 to 9.0V
- Input: Sync-tip Clamp
- Common Mode Noise Rejection Ratio -55dBtyp.
- Voltage Gain 0dBtyp.
- Frequency Characteristics 0dBtyp.at 10MHz
- Bipolar Technology
- Package MTP5

■ PIN CONFIGURATION



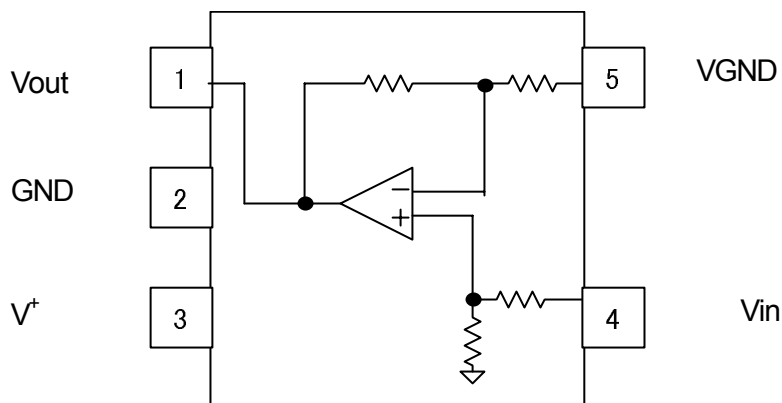
- 1: Vout
- 2: GND
- 3: V+
- 4: Vin
- 5: VGND

■ PACKAGE OUTLINE



NJM2505AF

■ BLOCK DIAGRAM





NJM2595

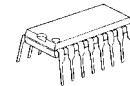
5-INPUT 3-OUTPUT VIDEO SWITCH

■ GENERAL DESCRIPTION

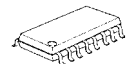
The **NJM2595** is a 5-input 3-output video switch. Its switches select one from five signals received from VTR,TV,DVD, TV-GAME and others.

The NJM2595 is designed for audio items, such as AV amplifier and others.

■ PACKAGE OUTLINE



NJM2595D

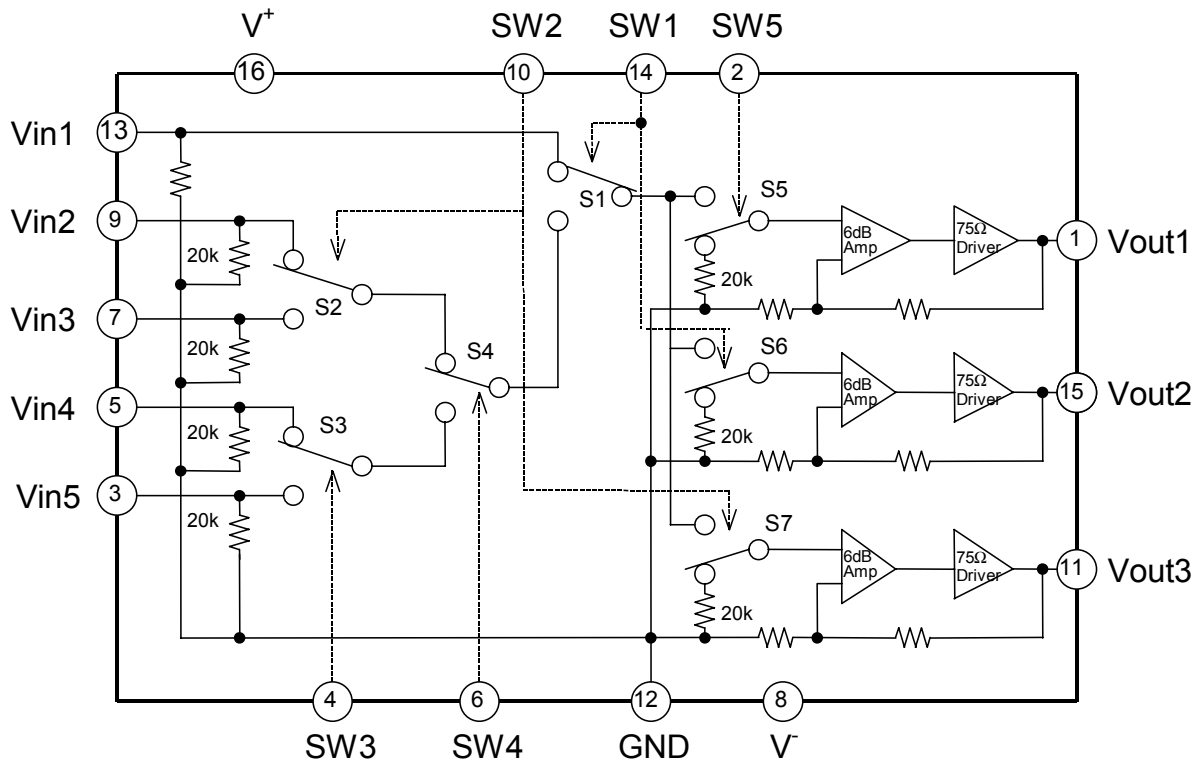


NJM2595M

■ FEATURES

- 5-input 3-output
- Operating Voltage ± 4.0 to $\pm 6.5V$
- Operating current $\pm 15mA$ typ. at $V_{CC}=\pm 5V$
- Crosstalk $-65dB$ typ.
- Internal 6dB Amplifier
- Internal 75Ω Driver
- Bipolar Technology
- Package Outline DIP16,DMP16

■ PIN CONFIGURATION and BLOCK DIAGRAM





NJW1321

WIDE BAND VIDEO SWITCH WITH I²C BUS

■ GENERAL DESCRIPTION

The NJW1321 is a Wide Band Video Switch with I²C BUS.

The NJW1321 includes switch of 4-input 2-output and 6dB amplifier. It is suitable for RGB or Y, Pb, and Pr signal because frequency range is 100MHz.

The NJW1321 includes external logic control terminals and external logic discernment terminals.

The NJW1321 is suitable for PTV, DTV, PDP and other high quality AV systems.

■ PACKAGE OUTLINE

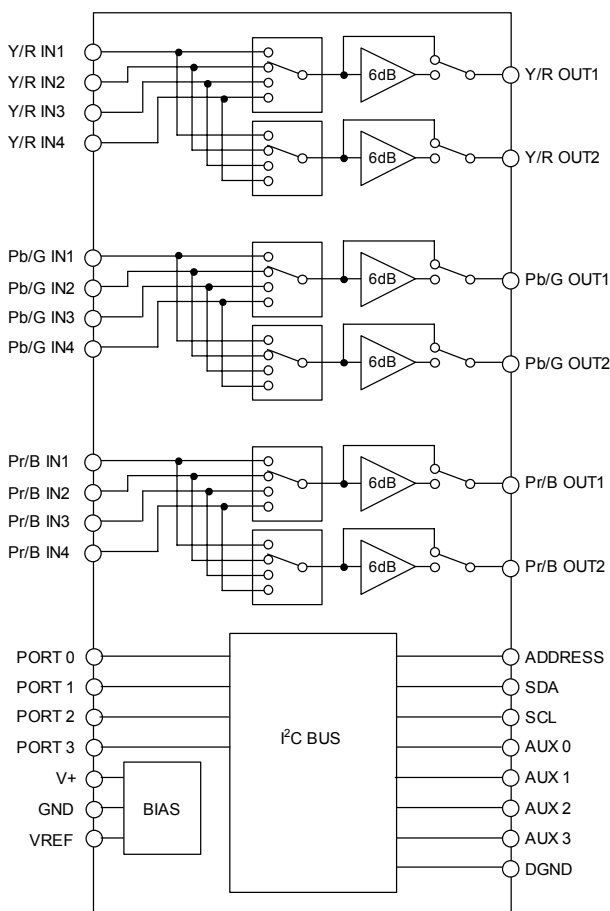


NJW1321FP1

■ FEATURES

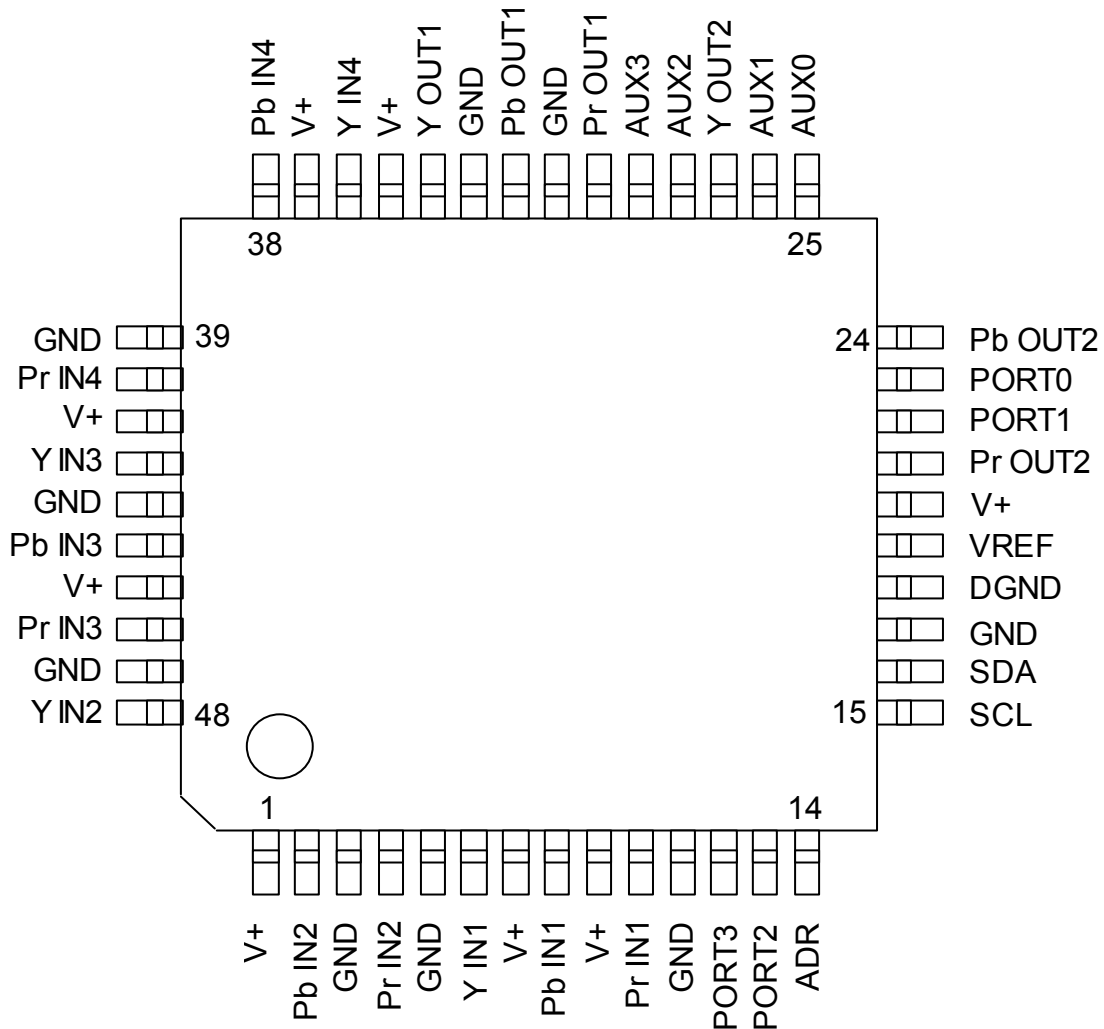
- Operating Voltage +9.0V
- I²C BUS Interface
- 4-input 2-output 3-Circuits
- Wide frequency range 0dB at 100MHz typ.
-3dB at 300MHz typ.
- Internal 6dB amplifier (Selectable Bypass or 6dB)
- External logic discernment terminal
- External logic control terminal
- Selectable slave address
- Power Save Circuit
- Bi-CMOS Technology
- Package Outline QFP48

■ BLOCK DIAGRAM



NJW1321

■PIN CONFIGURATION



- | | | | |
|------------|-------------|-------------|------------|
| 1. V+ | 13. PORT2 | 25. AUX0 | 37. V+ |
| 2. Pb IN2 | 14. ADR | 26. AUX1 | 38. Pb IN4 |
| 3. GND | 15. SCL | 27. Y OUT2 | 39. GND |
| 4. Pr IN2 | 16. SDA | 28. AUX2 | 40. Pr IN4 |
| 5. GND | 17. GND | 29. AUX3 | 41. V+ |
| 6. Y IN1 | 18. DGND | 30. Pr OUT1 | 42. Y IN3 |
| 7. V+ | 19. VREG | 31. GND | 43. GND |
| 8. Pb IN1 | 20. V+ | 32. Pb OUT1 | 44. Pb IN3 |
| 9. V+ | 21. Pr OUT2 | 33. GND | 45. V+ |
| 10. Pr IN1 | 22. PORT1 | 34. Y OUT1 | 46. Pr IN3 |
| 11. GND | 23. PORT 0 | 35. V+ | 47. GND |
| 12. PORT3 | 24. Pb OUT2 | 36. Y IN4 | 48. Y IN2 |



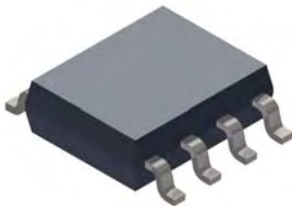
SI-8005Q

Step-Down Switching Regulator with Current-Mode Control

Features and Benefits

- Current-mode control system employed
- Excellent line regulation (60 mV maximum)
- 165 mΩ maximum on-resistance of built-in MOSFET
- Output current 3.5 A
- Wide range of input voltages (4.75 to 28 V), supports 24 V direct drive
- Output voltage 0.5 to 24 V, compatible with various IC power supply voltages, through low V_{REF} of 0.5 V.
- High efficiency, 94% maximum at $V_{IN} = 8$ V, $V_O = 5$ V, and $I_O = 0.5$ A
- Operating frequency 500 kHz, supports downsizing of smoothing choke coil
- Soft start and output on/off functions built-in
- Built-in protection:
 - Drooping overcurrent protection
 - Overtemperature protection
 - Undervoltage lockout (UVLO)

Package: HSOP8 surface mount with exposed thermal pad



Not to scale

Description

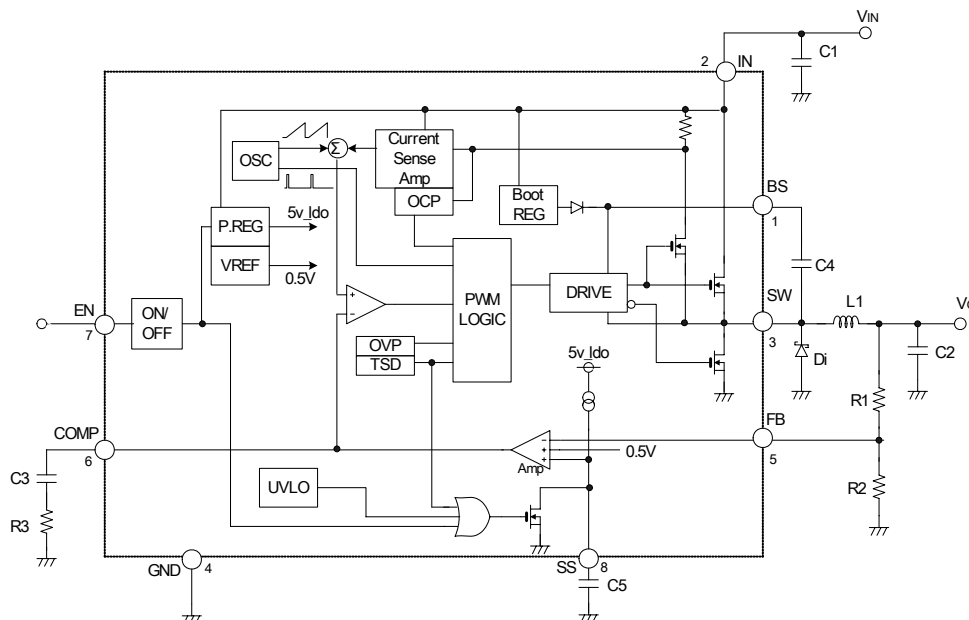
The SI-8005Q is a step-down switching regulator IC, designed as an output voltage regulator at the secondary stage of switch mode power supplies. The current-mode control system permits small ceramic capacitors to be used as output capacitors. Together with the compact HSOP8 package, this allows reduction of regulator circuitry area on the PCB by approximately 50% in comparison with conventional topologies.

Designed to save power, losses in the SI-8005Q are reduced by controlling the maximum on-resistance of a built-in output MOSFET to as low as 165 mΩ. Furthermore, die miniaturization has been accomplished through a proprietary BCD process.

The SI-8005Q supplies an output current of 3.5 A and an output voltage that is variable from 0.5 to 24 V, which is easily set to a voltage compatible with the diverse reduced power supply voltages required by signal processing ICs. Accepting a wide input voltage range, from 4.75 to 28 V, the SI-8005Q can be driven directly by a 24 V power supply.

Applications include power supplies for signal processing ICs for memories and microcomputers used in plasma display panel (PDP) TVs, liquid crystal display (LCD) TVs, computer hard drives, and DVD recorders.

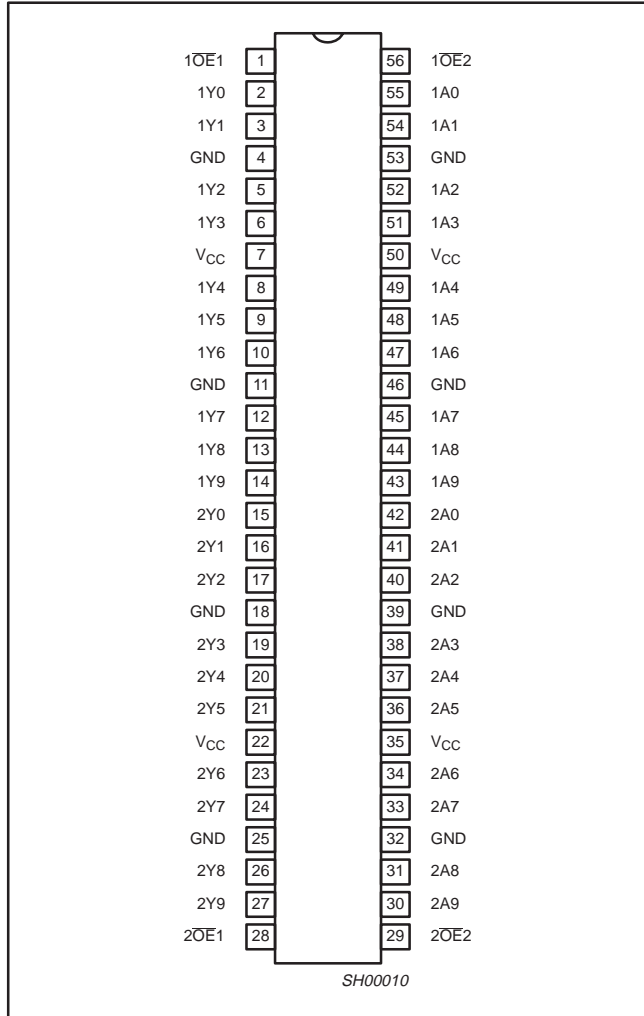
Functional Block Diagram



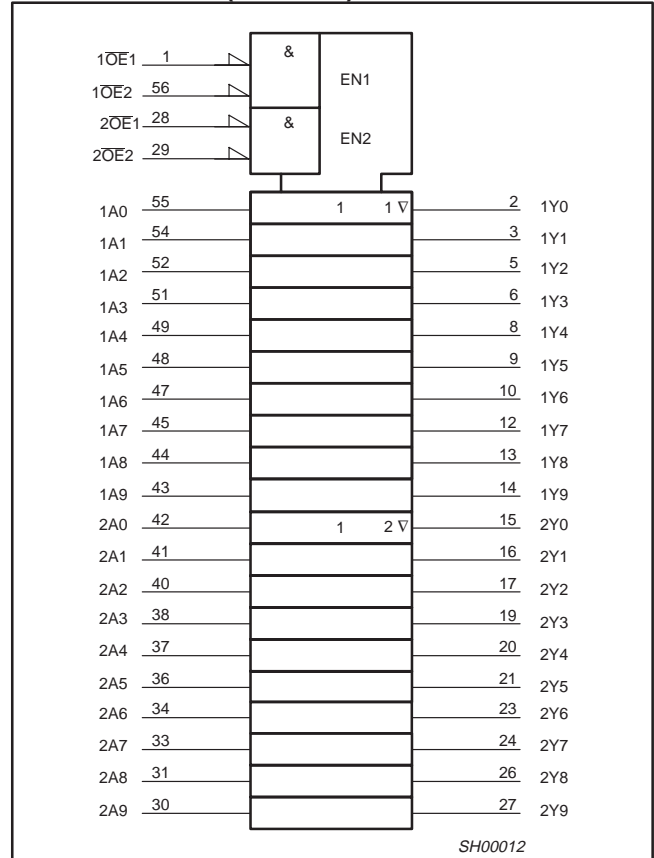
20-bit buffer/line driver, non-inverting (3-State)

74ALVCH16827

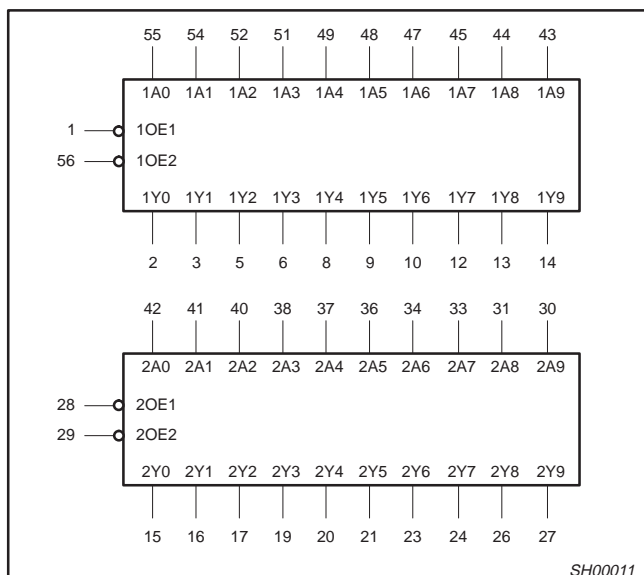
PIN CONFIGURATION



LOGIC SYMBOL (IEEE/IEC)



LOGIC SYMBOL



FUNCTION TABLE

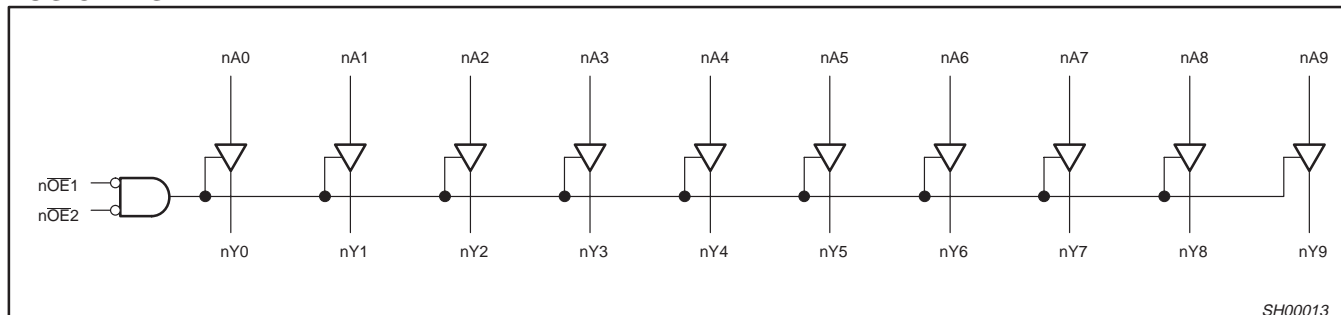
INPUTS			OUTPUTS
nOE1	nOE2	A	Y
L	L	L	L
L	L	H	H
H	H	X	Z
X	H	X	Z

H = High voltage level
 L = Low voltage level
 X = Don't care
 Z = High impedance "off" state

20-bit buffer/line driver, non-inverting (3-State)

74ALVCH16827

LOGIC DIAGRAM



RECOMMENDED OPERATING CONDITIONS

SYMBOL	PARAMETER	CONDITIONS	MIN	MAX	UNIT
V_{CC}	DC supply voltage 2.5V range (for max. speed performance @ 30 pF output load)		2.3	2.7	V
	DC supply voltage 3.3V range (for max. speed performance @ 50 pF output load)		3.0	3.6	
V_I	DC Input voltage range		0	V_{CC}	V
V_O	DC output voltage range		0	V_{CC}	V
T_{amb}	Operating free-air temperature range		-40	+85	°C
t_r, t_f	Input rise and fall times	$V_{CC} = 2.3$ to $3.0V$ $V_{CC} = 3.0$ to $3.6V$	0	20 10	ns/V

ABSOLUTE MAXIMUM RATINGS¹

In accordance with the Absolute Maximum Rating System (IEC 134)

Voltages are referenced to GND (ground = 0V)

SYMBOL	PARAMETER	CONDITIONS	RATING	UNIT
V_{CC}	DC supply voltage		-0.5 to +4.6	V
I_{IK}	DC input diode current	$V_I < 0$	-50	mA
V_I	DC input voltage	For control pins ²	-0.5 to +4.6	V
		For data inputs ²	-0.5 to $V_{CC} + 0.5$	
I_{OK}	DC output diode current	$V_O > V_{CC}$ or $V_O < 0$	±50	mA
V_O	DC output voltage	Note 2	-0.5 to $V_{CC} + 0.5$	V
I_O	DC output source or sink current	$V_O = 0$ to V_{CC}	±50	mA
I_{GND}, I_{CC}	DC V_{CC} or GND current		±100	mA
T_{stg}	Storage temperature range		-65 to +150	°C
P_{TOT}	Power dissipation per package -plastic medium-shrink (SSOP) -plastic thin-medium-shrink (TSSOP)	For temperature range: -40 to +125 °C	850	mW
		above +55°C derate linearly with 11.3 mW/K above +55°C derate linearly with 8 mW/K	600	

NOTE:

- Stresses beyond those listed may cause permanent damage to the device. These are stress ratings only and functional operation of the device at these or any other conditions beyond those indicated under "recommended operating conditions" is not implied. Exposure to absolute-maximum-rated conditions for extended periods may affect device reliability.
- The input and output voltage ratings may be exceeded if the input and output current ratings are observed.

32M-BIT [4M x 8 / 2M x 16] 3V SUPPLY FLASH MEMORY**FEATURES****GENERAL FEATURES**

- Byte/Word switchable
 - 4,194,304 x 8 / 2,097,152 x 16
- Sector Structure
 - 8K-Byte x 8 and 64K-Byte x 63
- Extra 64K-Byte sector for security
 - Features factory locked and identifiable, and customer lockable
- Twenty-Four Sector Groups
 - Provides sector group protect function to prevent program or erase operation in the protected sector group
 - Provides chip unprotect function to allow code changing
 - Provides temporary sector group unprotect function for code changing in previously protected sector groups
- Power Supply Operation
 - Vcc 2.7 to 3.6 volt for read, erase, and program operations
- Latch-up protected to 100mA from -1V to 1.5 x Vcc
- Low Vcc write inhibit : Vcc <= Vlko
- Compatible with JEDEC standard
 - Pinout and software compatible to single power supply Flash
- **Functional compatible with MX29LV320C T/B device**

PERFORMANCE

- High Performance
 - Fast access time: 70ns
 - Fast program time: 11 us/word typical utilizing accelerate function
 - Fast erase time: 0.7s/sector, 35s/chip (typical)
- Low Power Consumption
 - Low active read current: 10mA (typical) at 5MHz
 - Low standby current: 5uA (typical)
- Typical 100,000 erase/program cycle
- 10 years data retention

SOFTWARE FEATURES

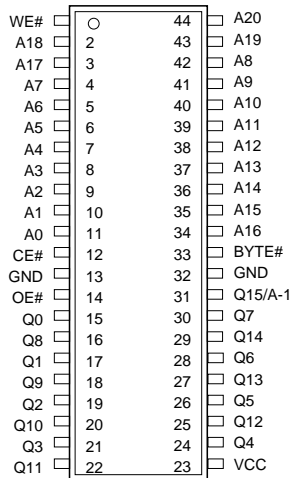
- Erase Suspend/ Erase Resume
 - Suspends sector erase operation to read data from or program data to another sector which is not being erased
- Status Reply
 - Data# Polling & Toggle bits provide detection of program and erase operation completion
- Support Common Flash Interface (CFI)

HARDWARE FEATURES

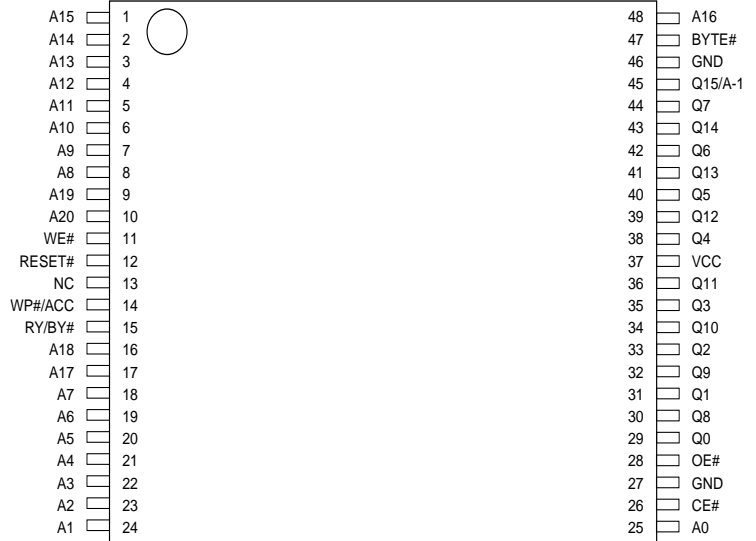
- Ready/Busy# (RY/BY#) Output
 - Provides a hardware method of detecting program and erase operation completion
- Hardware Reset (RESET#) Input
 - Provides a hardware method to reset the internal state machine to read mode
- WP#/ACC input pin
 - Provides accelerated program capability

PIN CONFIGURATION

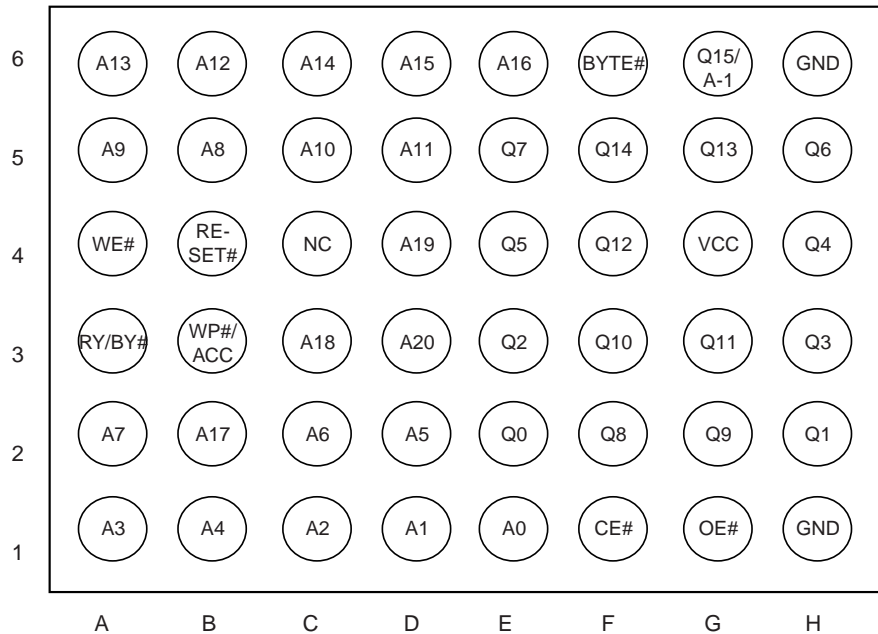
44 SOP



48 TSOP



48-Ball TFBGA/LFBGA (6mm x 8mm, Top View, Balls Facing Down)



MACRONIX
INTERNATIONAL CO., LTD.

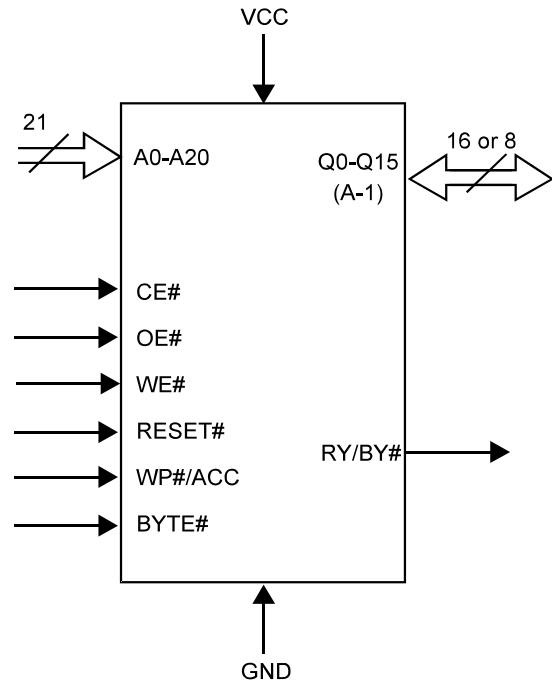
MX29LV320D T/B

PIN DESCRIPTION

SYMBOL	PIN NAME
A0~A20	Address Input
Q0~Q14	15 Data Inputs/Outputs
Q15/A-1	Q15(Data Input/Output, word mode); A-1(LSB Address Input, byte mode)
CE#	Chip Enable Input
WE#	Write Enable Input
OE#	Output Enable Input
BYTE#	Word/Byte Selection Input
RESET#	Hardware Reset Pin, Active Low
RY/BY#	Ready/Busy Output
Vcc	3.0 volt-only single power supply
WP#/ACC	Hardware Write Protect/Acceleration Pin
GND	Device Ground
NC	Pin Not Connected Internally

Note: If customers do not need WP#/ACC feature, please connect WP#/ACC pin to VCC or let it floating. The WP#/ACC has an internal pull-up when unconnected WP#/ACC is at Vih.

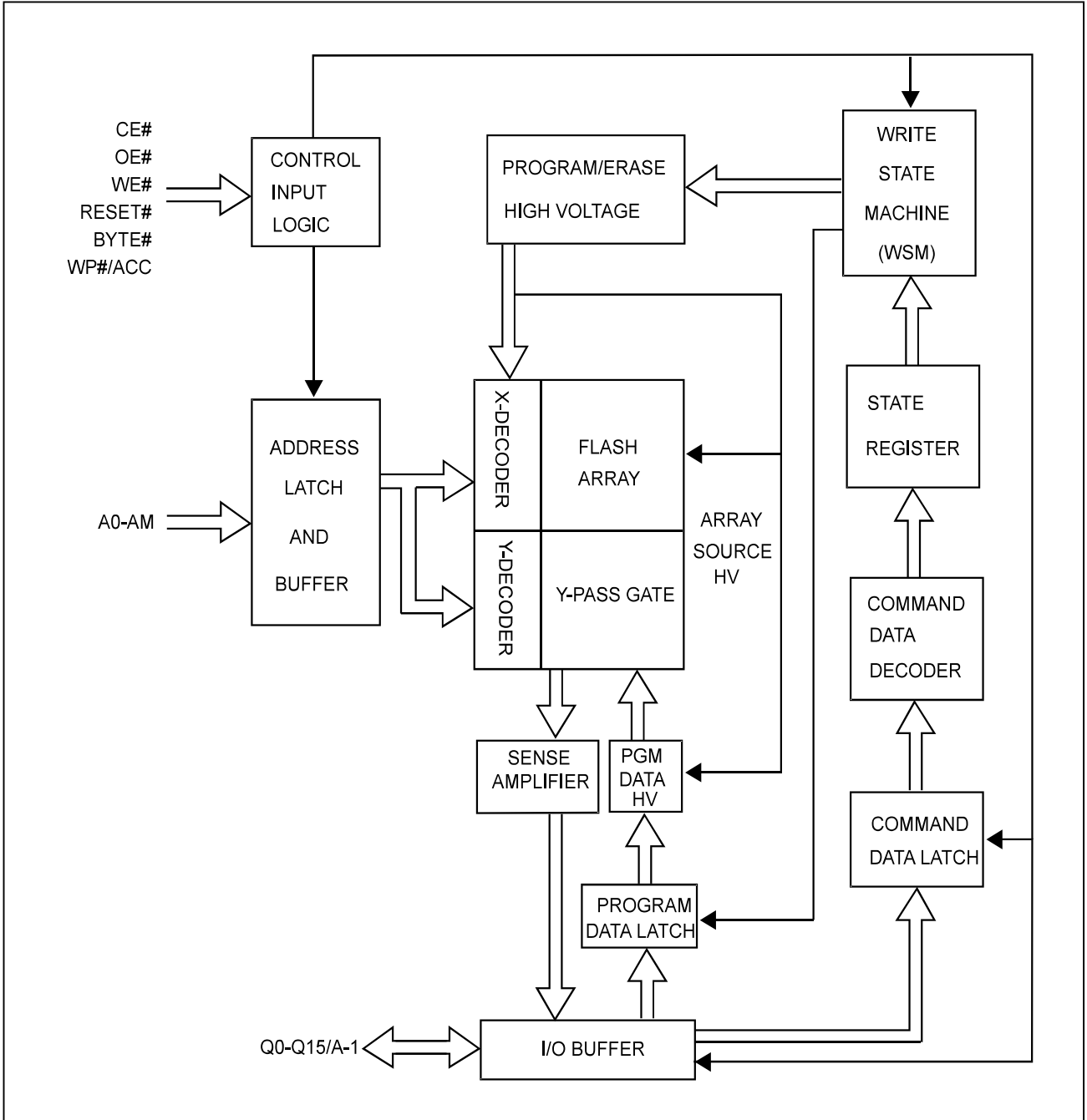
LOGIC SYMBOL



MACRONIX
INTERNATIONAL Co., LTD.

MX29LV320D T/B

BLOCK DIAGRAM





FLI30336

Single-chip enhanced LCD TV controller

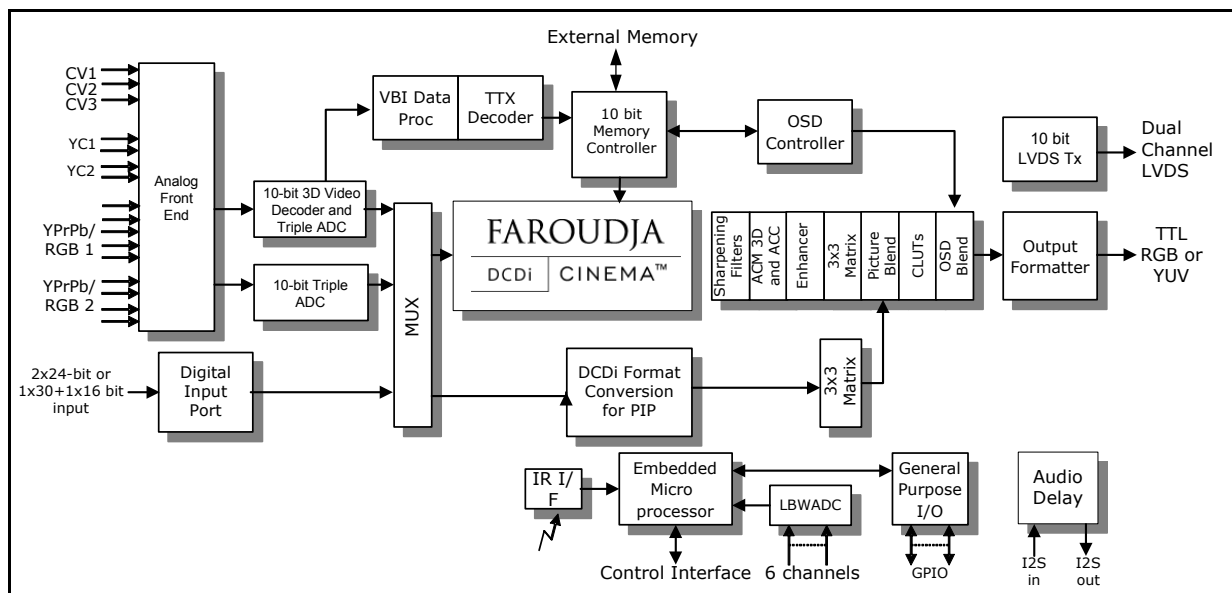
Data Brief

Features

- Integrated 3D video decoder
- Flexible digital capture up to 165 MHz and analog capture up to 162 MHz
- VBI signal processing including WST version 2.5 support
- Flexible DDR memory interface
- Faroudja® TrueLife™ video enhancer
- Advanced Picture-in-Picture (PIP) features
- Advanced Color Management (ACM-3D) and Adaptive Contrast Control (ACC)
- On-chip microprocessor
- Advanced bitmapped OSD controller
- LCD overdrive
- Embedded 10-bit dual-channel LVDS for 1080p and WUXGA panel support
- Package: 416 PBGA

Applications

- LCD and PDP TV
- DLP®, LCD, and LCOS front and rear projection



www.st.com

1 Description

The FLI30336 offers high integration for advanced applications of Picture-in-Picture (PIP) and Picture-by-Picture (PBP) with an integrated video decoder and a 3D comb filter. The FLI30336 can power up to 1080p/WUXGA displays with the proven Faroudja DCDi Cinema branded technology.

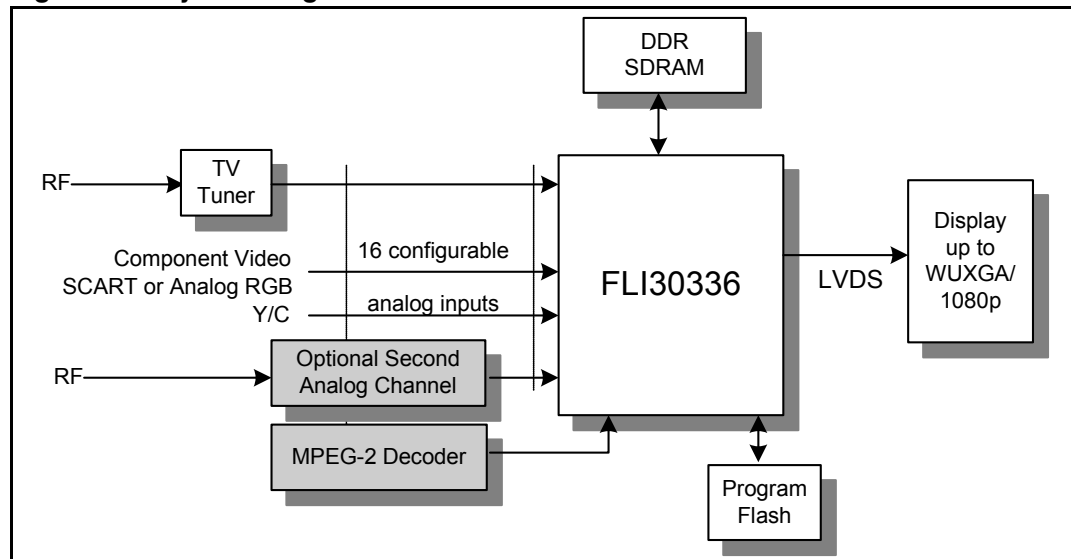
Special performance features such as the Faroudja DCDi Cinema video format converter, 10-bit performance in the device, and the Advanced Color Management (ACM-3D) provide exceptional video quality. This exclusive level of video quality technology only seen on Faroudja Home Theater Systems is now available in a single-chip solution.

The FLI30336 also comprises an integrated Analog Front-End (AFE) that includes triple ADCs and an integrated cross-point switch. The flexible AFE ensures simple PCB design with direct connections to TV tuners and input video connectors. In essence, the FLI30336 is the only device needed for a single LCD TV chassis supporting worldwide standards. For regional variations, only connector and firmware changes are required.

The integrated VBI dataslicer and decoder remove the need for external components resulting in significant cost reduction. The FLI30336 supports many worldwide VBI standards for applications of Teletext, Closed Captioning, V-Chip, and other VBI services.

The FLI30336 can be used in digital TV solutions requiring Faroudja DCDi Cinema video performance levels. An embedded microprocessor and a versatile OSD in a single device will facilitate rapid development of a reliable and attractive product. The FLI30336 utilizes the common Cortez family firmware for easy and effortless migration across different hardware platforms within this family.

Figure 1. System diagram

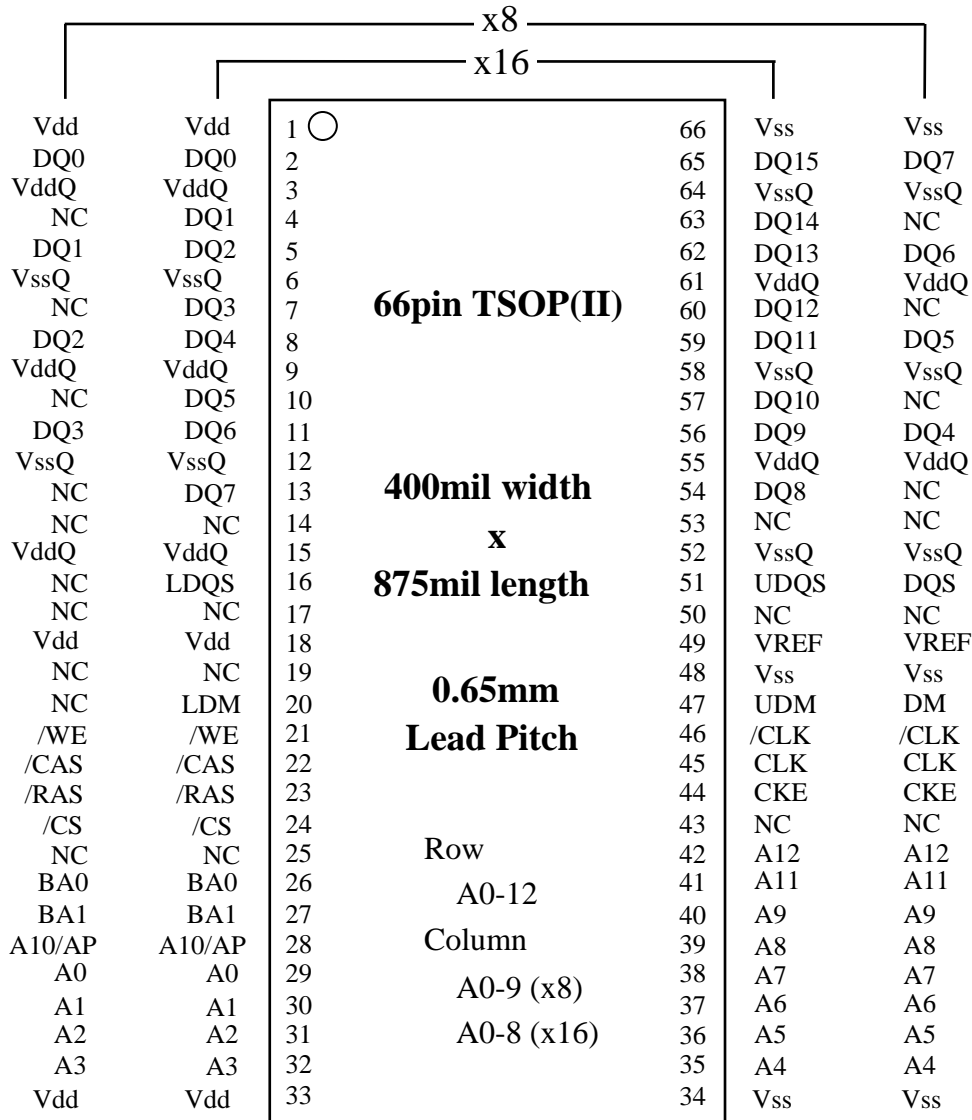




A3S56D30FTP
A3S56D40FTP

256M Double Data Rate Synchronous DRAM

Pin Assignment (Top View) 66-pin TSOP



- | | | | |
|-------------------|--------------------------------|--------------|-----------------------------------|
| CLK, /CLK | : Master Clock | A0-12 | : Address Input |
| CKE | : Clock Enable | BA0,1 | : Bank Address Input |
| /CS | : Chip Select | Vdd | : Power Supply |
| /RAS | : Row Address Strobe | VddQ | : Power Supply for Output |
| /CAS | : Column Address Strobe | Vss | : Ground |
| /WE | : Write Enable | VssQ | : Ground for Output |
| DQ0-15 | : Data I/O (x16) | VREF | : SSTL_2 reference voltage |
| DQ0-7 | : Data I/O (x8) | | |
| UDM, LDM | : Write Mask (x16) | | |
| DM | : Write Mask (x8) | | |
| UDQS, LDQS | : Data Strobe (x16) | | |
| DQS | : Data Strobe (x8) | | |