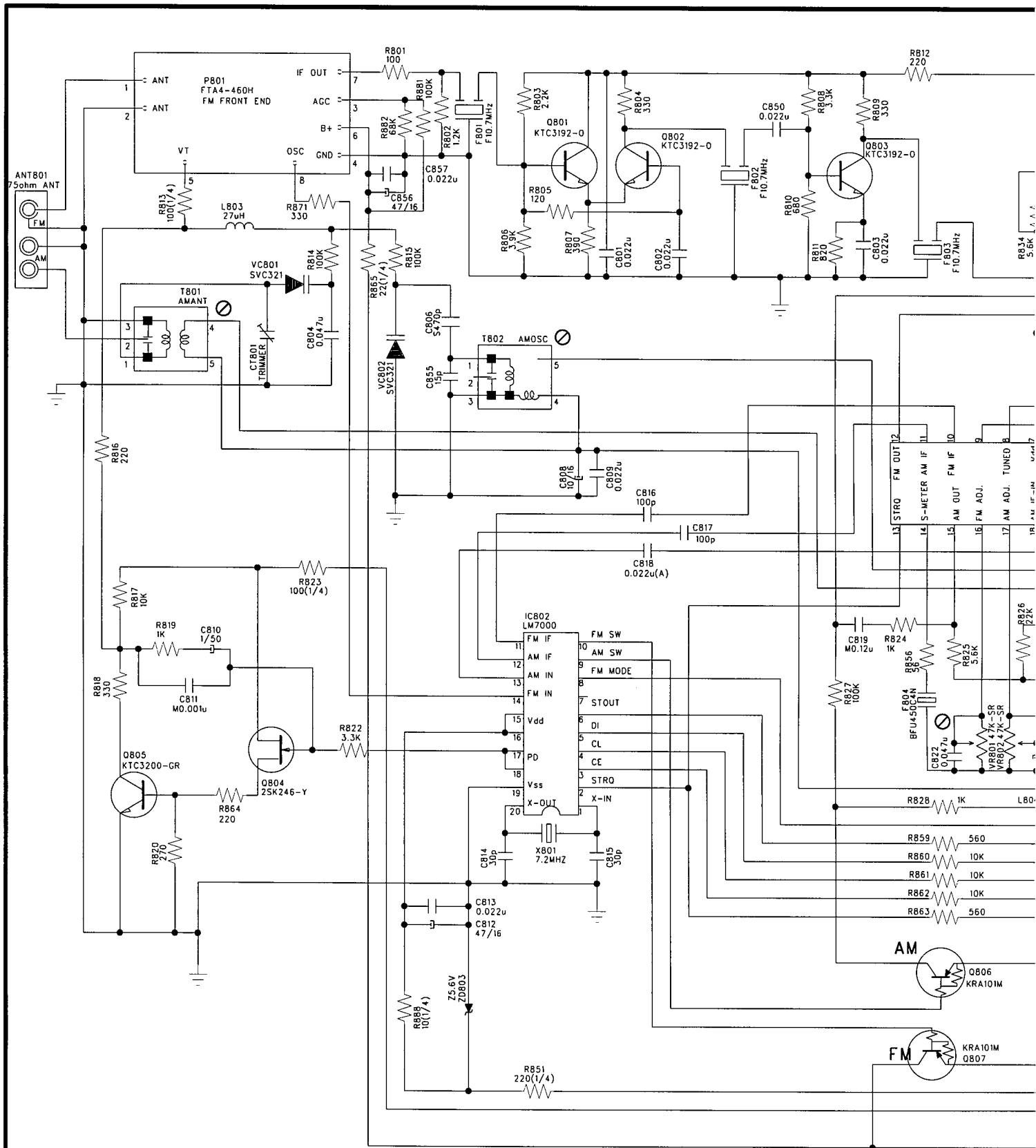
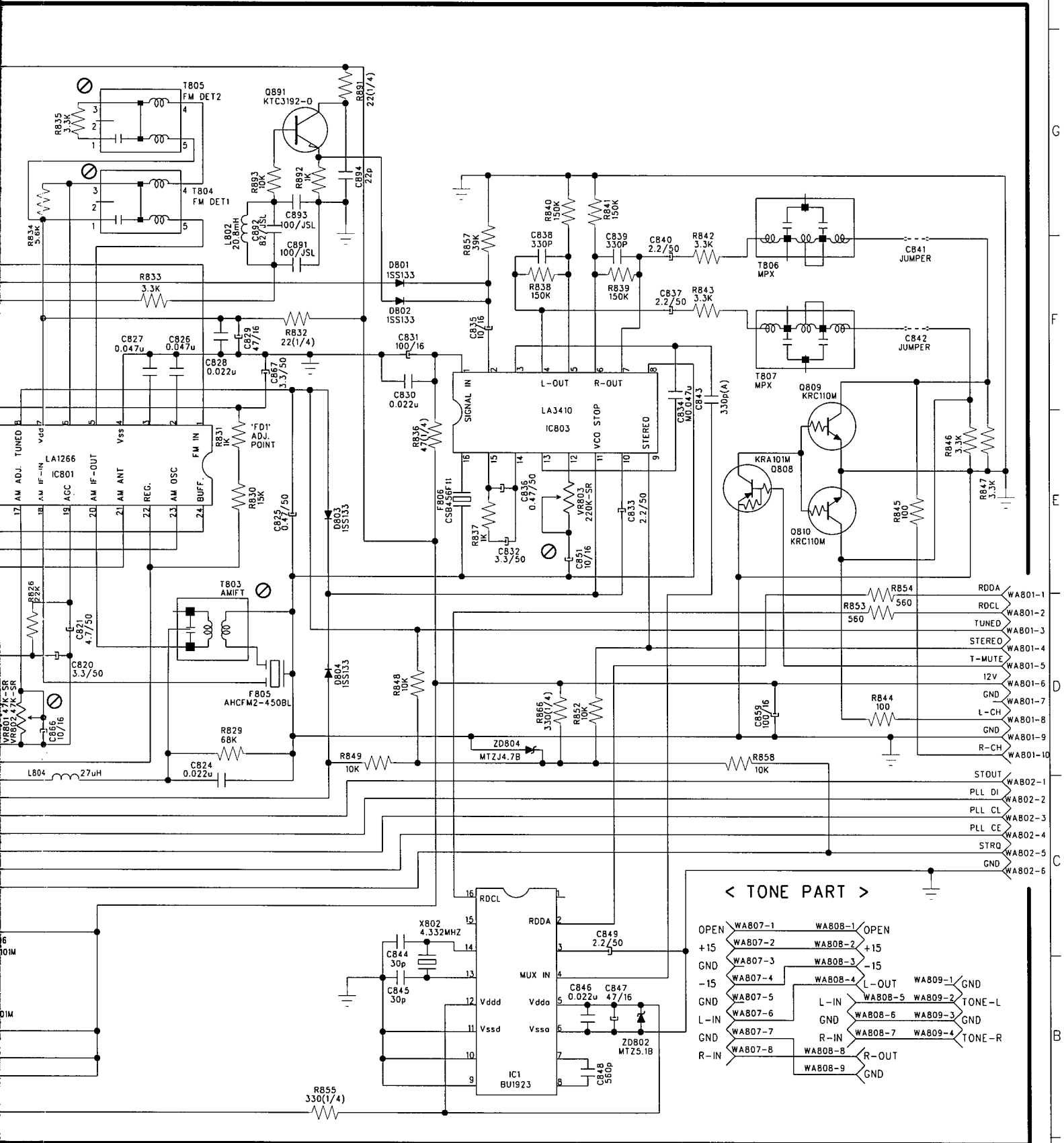


AVR-35RDS TUNER SCHEMATIC

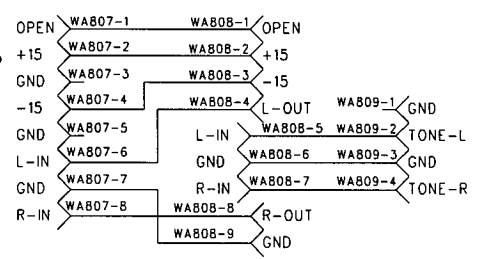


SCHEMATIC DIAGRAM

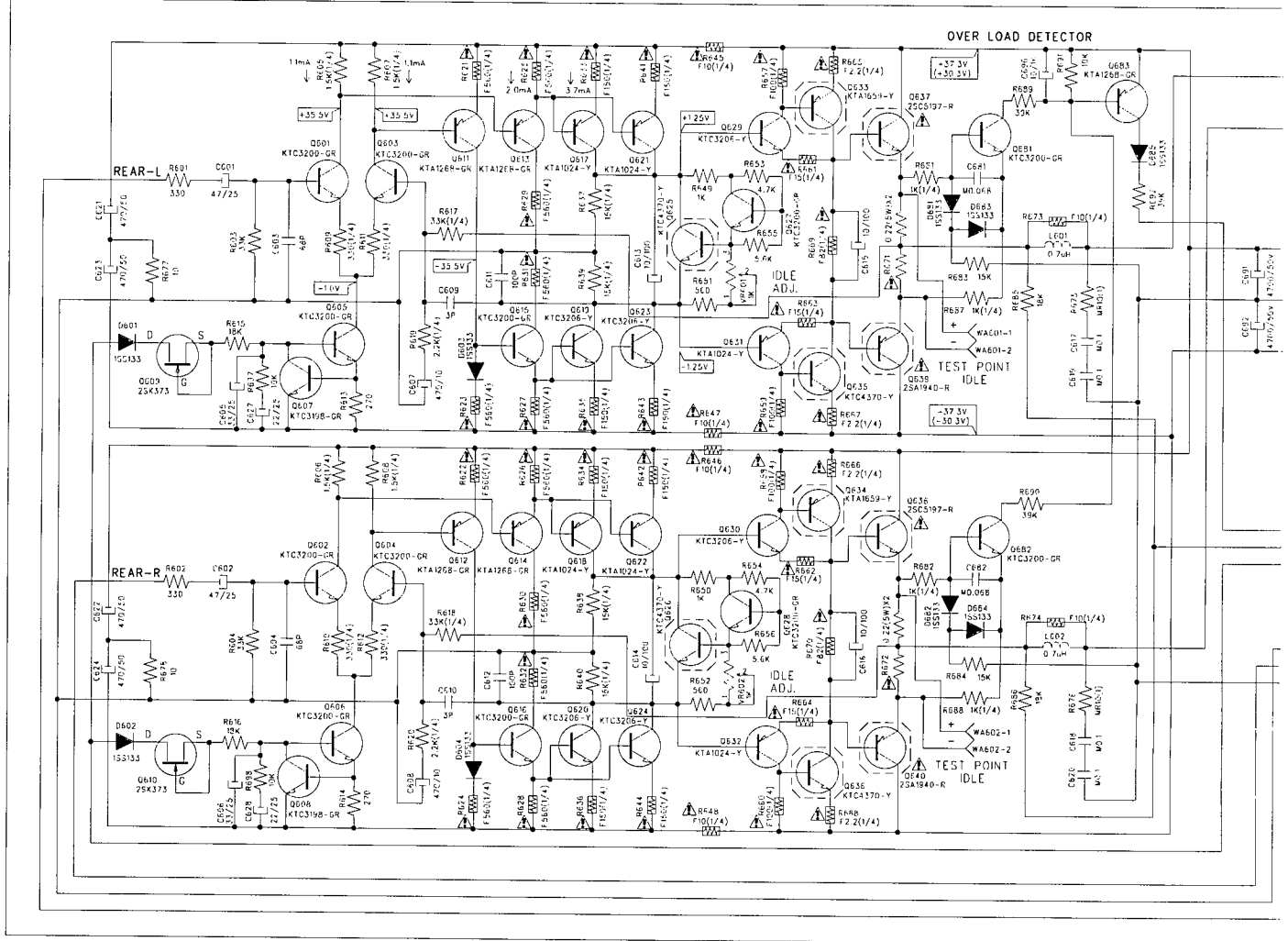
NO	DATE	POS.	CONTENTS	NO	DATE	POS.	CONTENTS
----	------	------	----------	----	------	------	----------



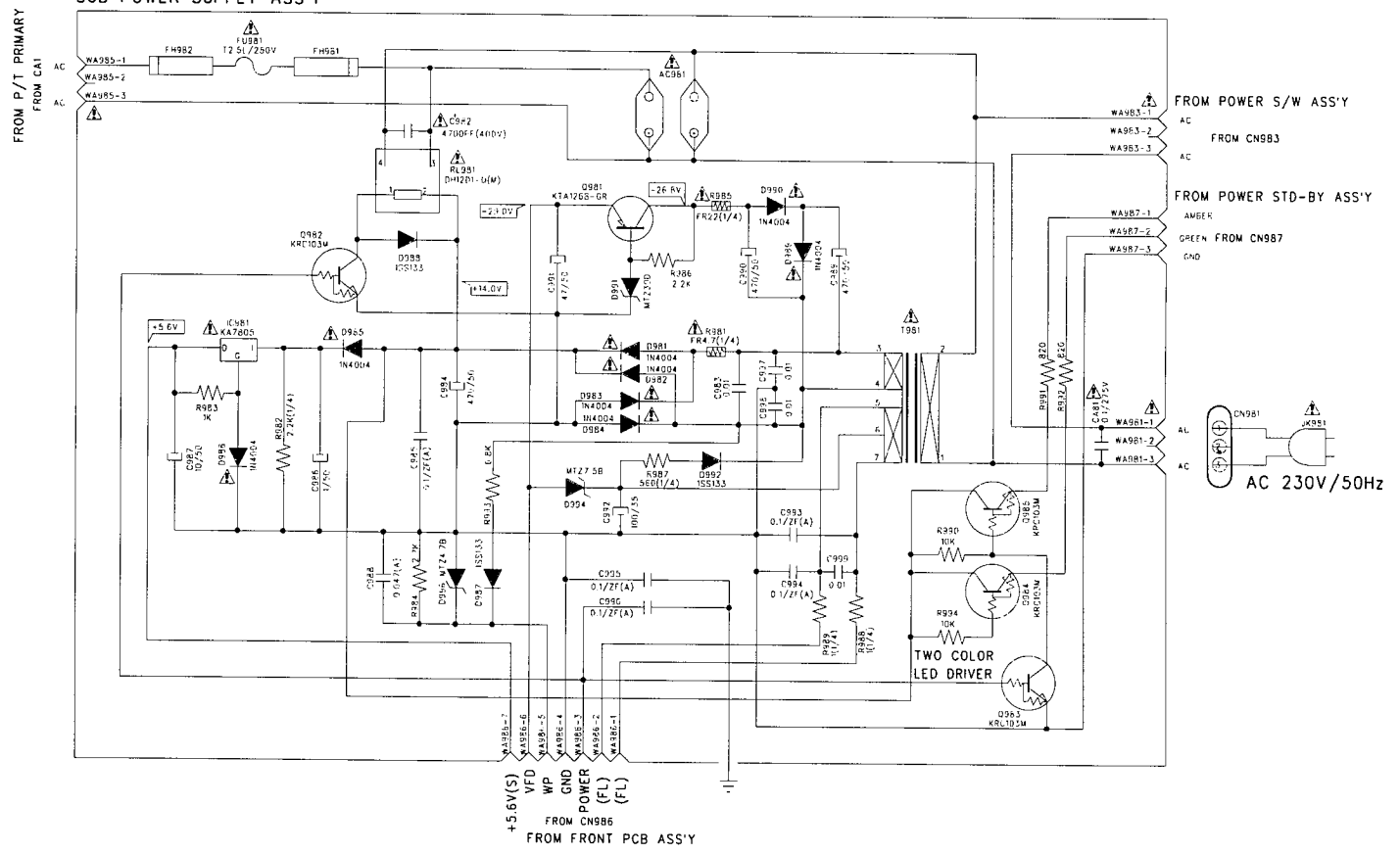
< TONE PART >



REAR AMP ASS'Y

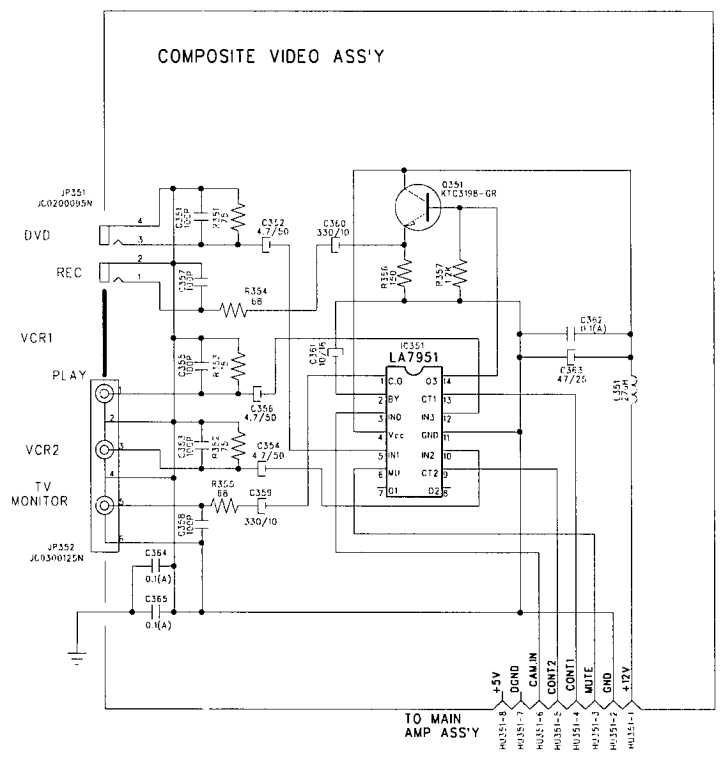
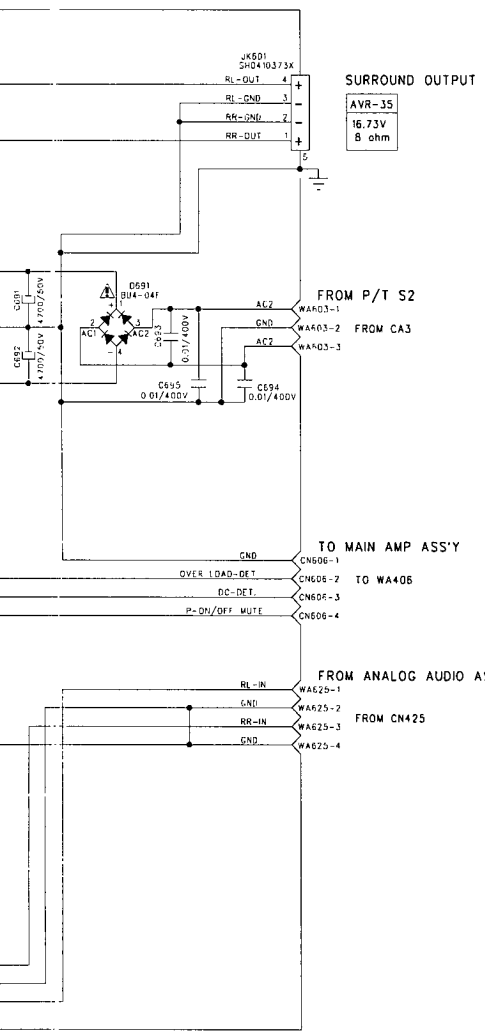


SUB POWER SUPPLY ASS'Y



+5.6V(S)
VFD
WP
GND
FROM POWER
(FL)
(FL)
FROM CN886
FROM FRONT PCB ASS'Y

NO	DATE	POS.	CONTENTS	NO	DATE	POS.	CONTENTS



COMPOSITE & S-VIDEO

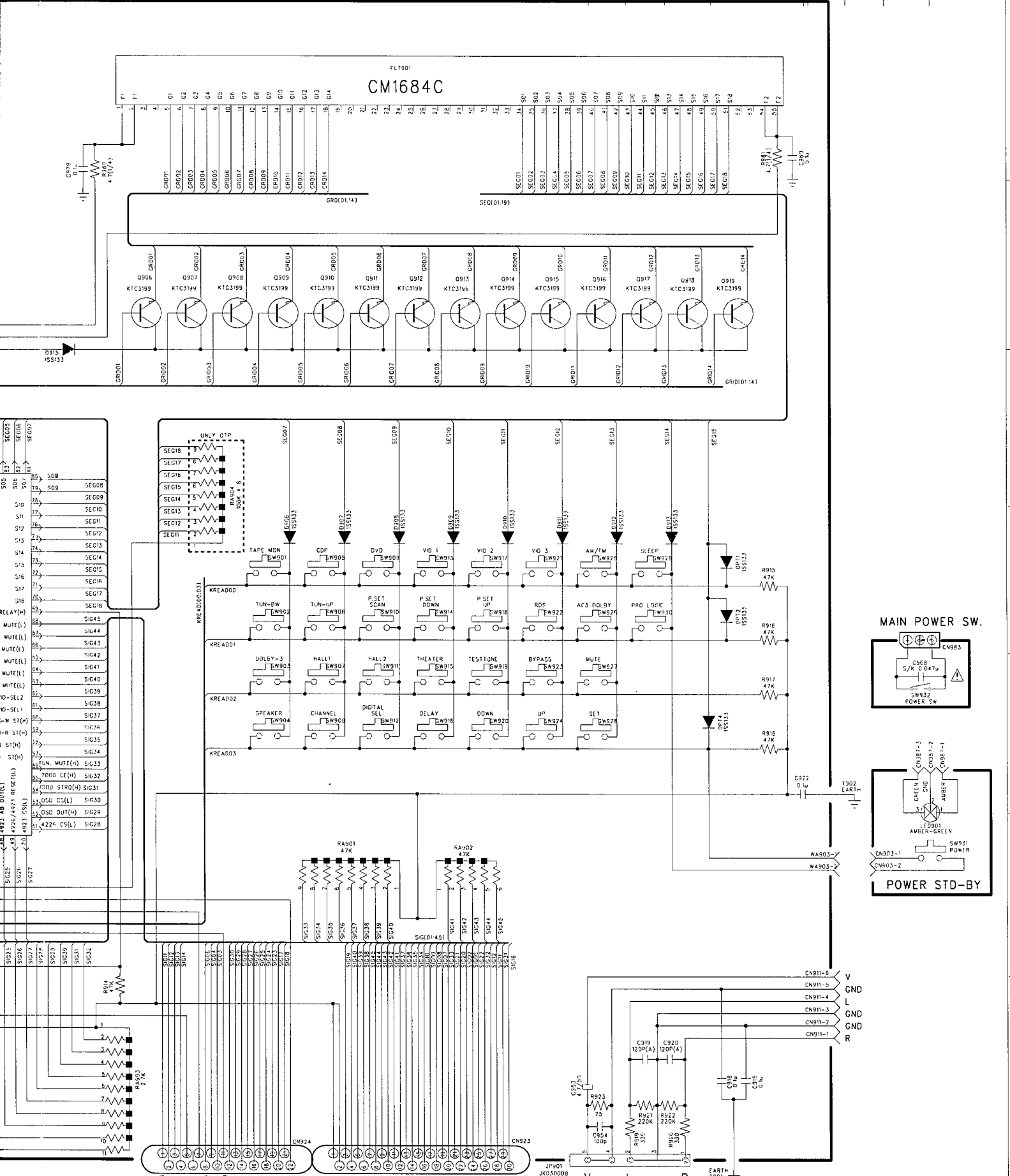
INPUT FUNCTION	MUTE	DET	CT2	OUTPUT
DITHER	L	-	-	DET OFF
COMPOSITE	H	L	L	VIDEO IN
DVB	H	L	H	DVB
VCR2	H	H	L	VCR2
VCR1	H	H	H	VCR1 DEF

CONFIDENTIAL/CONTROL COPY

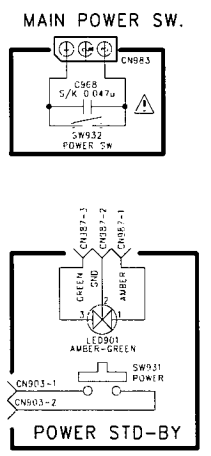
FILENAME	CODE NO.	SHEET		
REAR/SUB/VIDEO		1 / 1		
MODEL	DESIGN	CHKD	CHKD	APPROVAL
AVR-35RDS	J.S JANG			
DESIGN DATE				
'98.05.24				

SCHEMATIC DIAGRAM

NO	DATE	POD	CONTENTS	NO	DATE	POD	CONTENTS



- SEG05
- SEG06
- SEG07
- SEG08
- SEG09
- SEG10
- SEG11
- SEG12
- SEG13
- SEG14
- SEG15
- SEG16
- SEG17
- SEG18
- SEG19
- SEG20
- SEG21
- SEG22
- SEG23
- SEG24
- SEG25
- SEG26
- SEG27
- SEG28
- SEG29
- SEG30
- SEG31
- SEG32
- SEG33
- SEG34
- SEG35
- SEG36
- SEG37
- SEG38
- SEG39
- SEG40
- SEG41
- SEG42
- SEG43
- SEG44
- SEG45
- SEG46
- SEG47
- SEG48
- SEG49
- SEG50
- SEG51
- SEG52
- SEG53
- SEG54
- SEG55
- SEG56
- SEG57
- SEG58
- SEG59
- SEG60
- SEG61
- SEG62
- SEG63
- SEG64
- SEG65
- SEG66
- SEG67
- SEG68
- SEG69
- SEG70
- SEG71
- SEG72
- SEG73
- SEG74
- SEG75
- SEG76
- SEG77
- SEG78
- SEG79
- SEG80
- SEG81
- SEG82
- SEG83
- SEG84
- SEG85
- SEG86
- SEG87
- SEG88
- SEG89
- SEG90
- SEG91
- SEG92
- SEG93
- SEG94
- SEG95
- SEG96
- SEG97
- SEG98
- SEG99
- SEG100



VIDEO 2

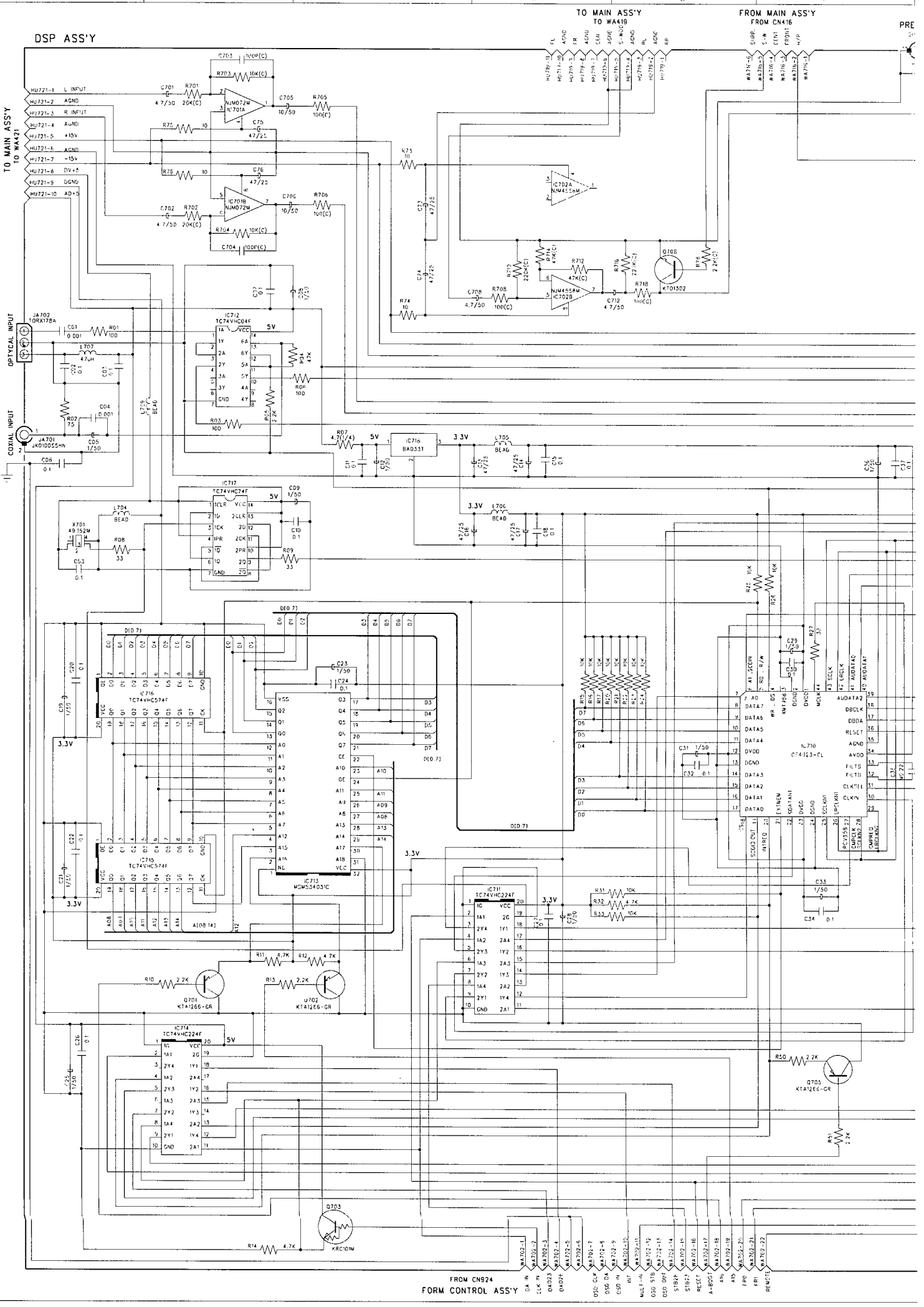
CONFIDENTIAL/CONTROL COPY

FILENAME	CODE NO.	SHEET

MODEL	DESIGN	CHKD	CHKD	APPROVAL

DESIGN DATE				

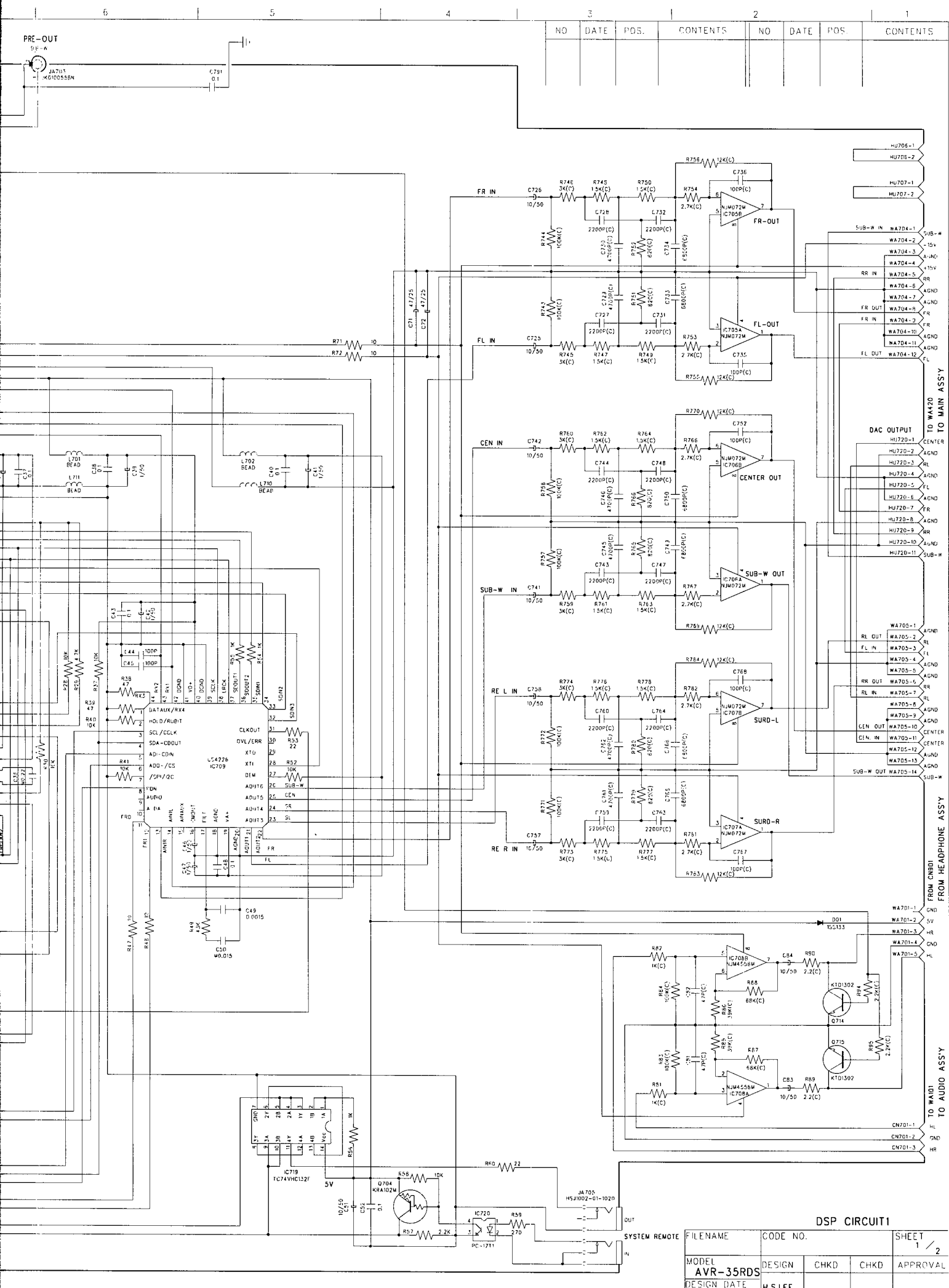
DSP ASSY



FROM CN24 FORM CONTROL ASSY

- DA IN
- CLK IN
- DA023
- DA024
- DA025
- DA026
- DA027
- DA028
- DA029
- DA030
- DA031
- DA032
- DA033
- DA034
- DA035
- DA036
- DA037
- DA038
- DA039
- DA040
- DA041
- DA042
- DA043
- DA044
- DA045
- DA046
- DA047
- DA048
- DA049
- DA050
- DA051
- DA052
- DA053
- DA054
- DA055
- DA056
- DA057
- DA058
- DA059
- DA060
- DA061
- DA062
- DA063
- DA064
- DA065
- DA066
- DA067
- DA068
- DA069
- DA070
- DA071
- DA072
- DA073
- DA074
- DA075
- DA076
- DA077
- DA078
- DA079
- DA080
- DA081
- DA082
- DA083
- DA084
- DA085
- DA086
- DA087
- DA088
- DA089
- DA090
- DA091
- DA092
- DA093
- DA094
- DA095
- DA096
- DA097
- DA098
- DA099
- DA100

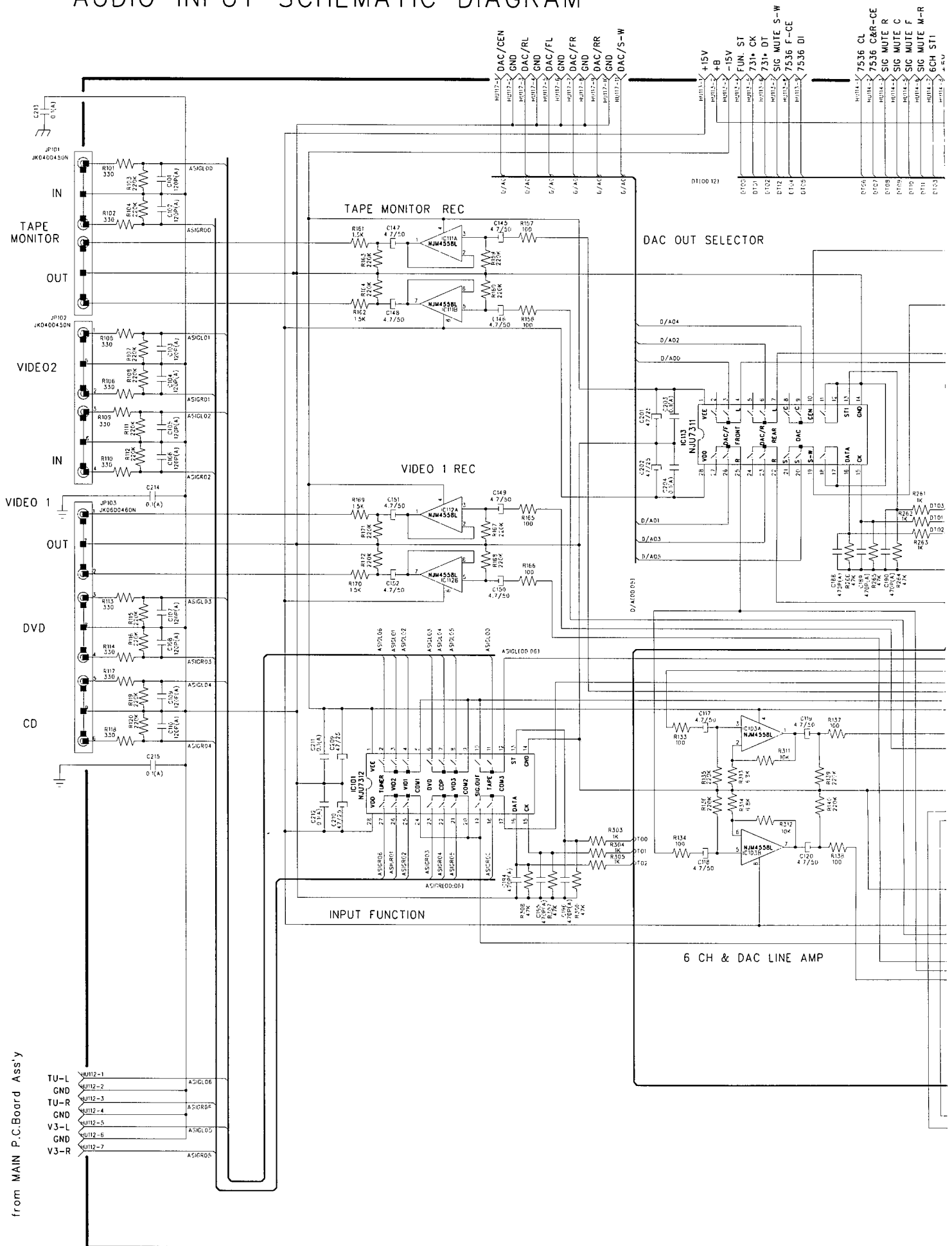
NO	DATE	POS.	CONTENTS	NO	DATE	POS.	CONTENTS



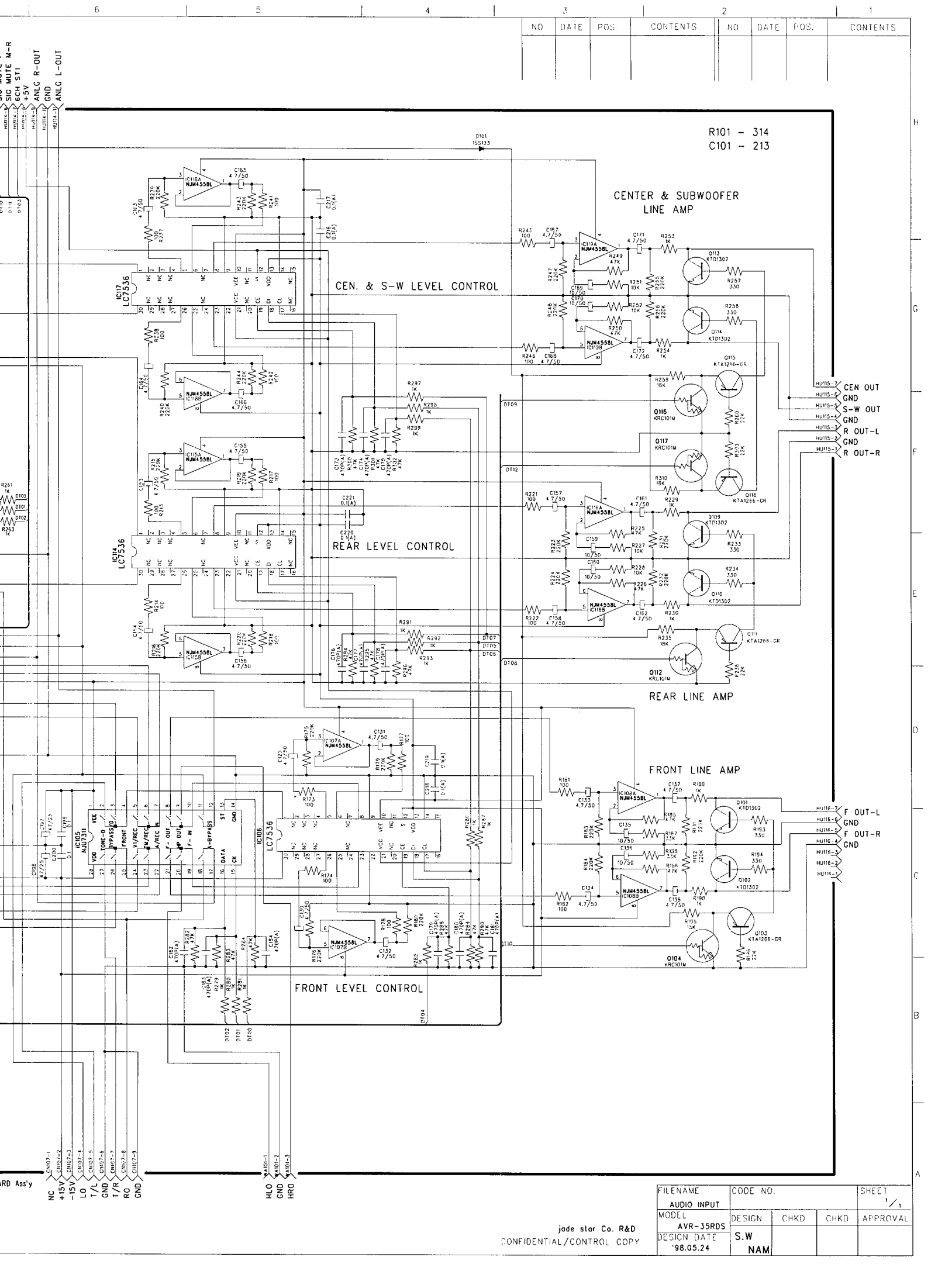
DSP CIRCUIT1				
FILENAME	CODE NO.	SHEET	1 / 2	
MODEL	DESIGN	CHKD	CHKD	APPROVAL
AVR-35RDS	H.S.LEE			
DESIGN DATE				
'98.05.24				

JADESTAR CORP.

AUDIO INPUT SCHEMATIC DIAGRAM



from MAIN P.C.Board Ass'y



NO	DATE	POS.	CONTENTS	NO	DATE	POS.	CONTENTS

R101 - 314
C101 - 213

CENTER & SUBWOOFER
LINE AMP

CEN. & S-W LEVEL CONTROL

REAR LEVEL CONTROL

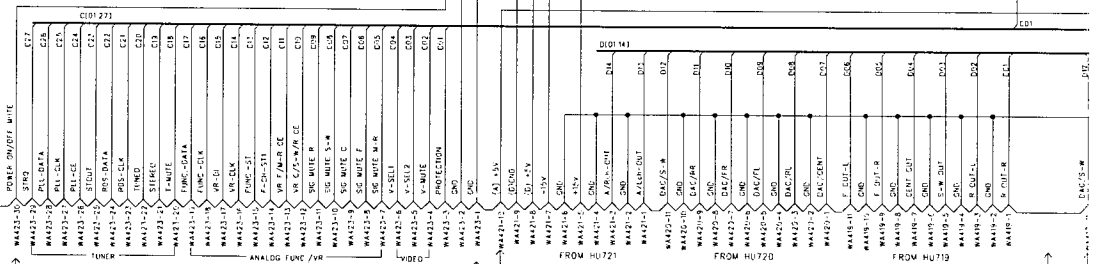
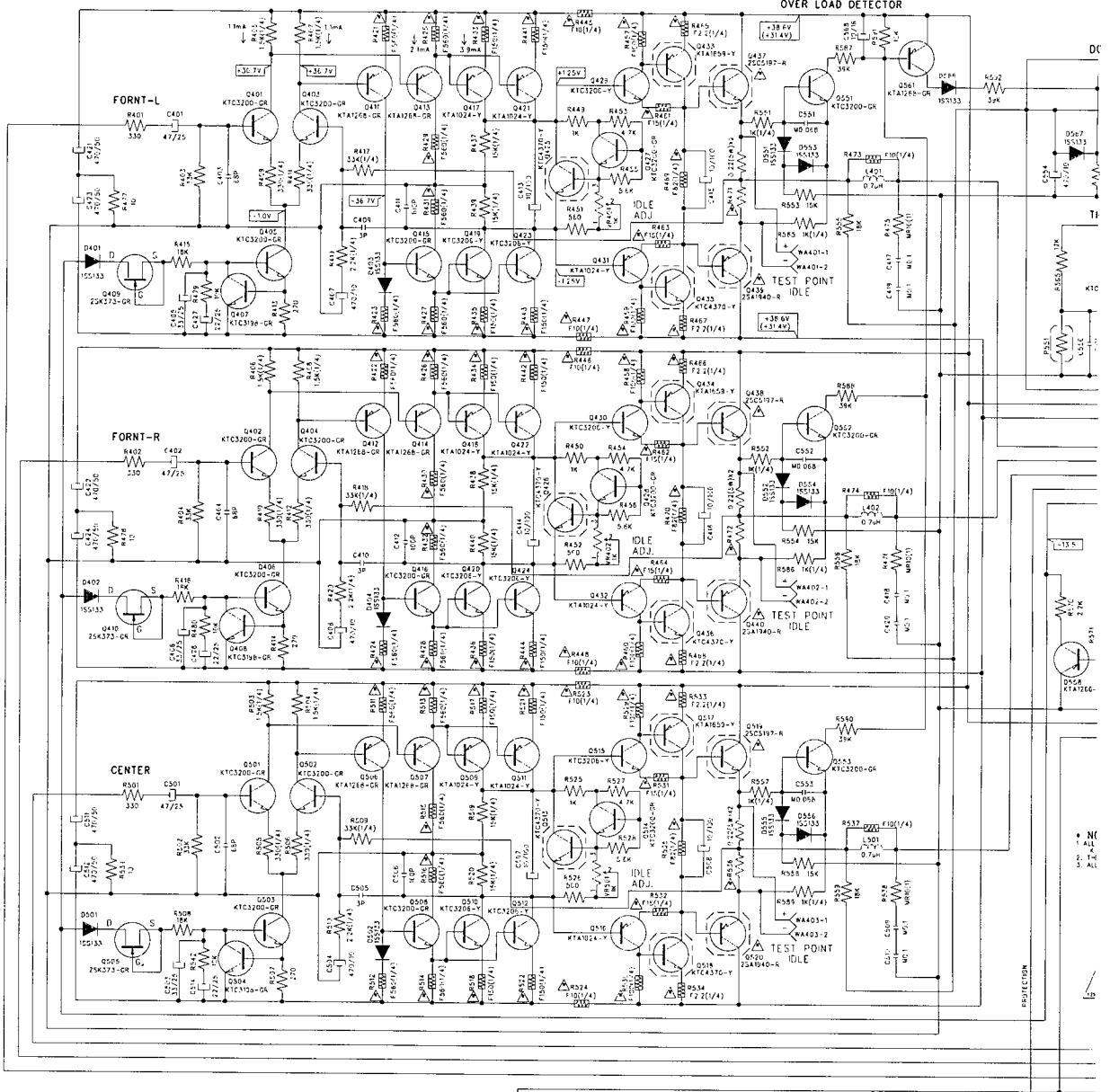
REAR LINE AMP

FRONT LINE AMP

FRONT LEVEL CONTROL

FILENAME	CODE NO.	SHEET		
AUDIO INPUT		1	1	
MODEL	AVR-35RDS	DESIGN	CHKD	CHKD
DESIGN DATE	'98.05.24	S.W		
		NAM		

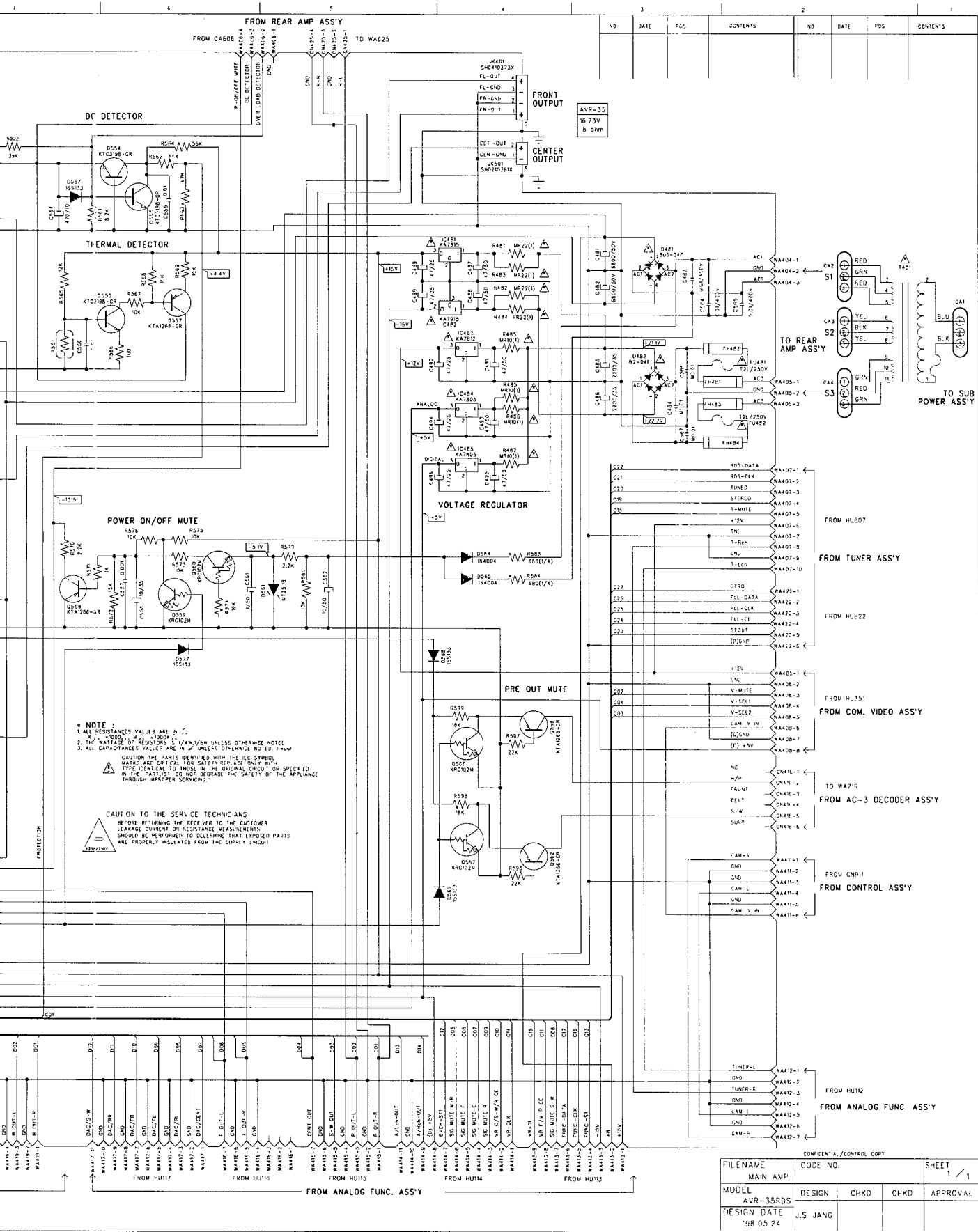
(FONT & CENTER) MAIN AMP ASS'Y



FROM CONTROL ASS'Y
FROM CN923

FROM AC-3 DECODER ASS'Y

* NI
* AL
* AT



NO	DATE	FIG.	CONTENTS	NO	DATE	POS.	CONTENTS

AVR-35
16.75V
8.0mm

DC DETECTOR

THERMAL DETECTOR

POWER ON/OFF MUTE

VOLTAGE REGULATOR

PRE OUT MUTE

*** NOTE :**
 1. ALL RESISTANCE VALUES ARE IN Ω.
 2. THE RATINGS OF RESISTORS IS 1/4W/1/2W UNLESS OTHERWISE NOTED.
 3. ALL CAPACITANCE VALUES ARE IN μF UNLESS OTHERWISE NOTED.
 CAUTION: THE PARTS IDENTIFIED WITH THE IEC SYMBOL MARKS ARE CRITICAL FOR SAFETY. REPLACE ONLY WITH TYPE IDENTICAL TO THOSE IN THE ORIGINAL CIRCUIT OR SPECIFIED IN THE PART LIST. DO NOT DEGRADE THE SAFETY OF THE APPLIANCE THROUGH IMPROPER SERVICING.

CAUTION TO THE SERVICE TECHNICIANS
 BEFORE RETURNING THE RECEIVER TO THE CUSTOMER, LEAKAGE CURRENT OR RESISTANCE MEASUREMENTS SHOULD BE PERFORMED TO DETERMINE THAT EXPOSED PARTS ARE PROPERLY INSULATED FROM THE SIMPLY CIRCUIT.

CONFIDENTIAL/CONTROL COPY

FILENAME	CODE NO.	SHEET
MAIN AMP		1 / 1
MODEL	DESIGN	CHKD
AVR-35RDS	J.S. JANG	
DESIGN DATE		
'88.05.24		

