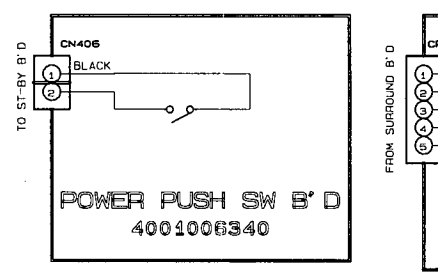
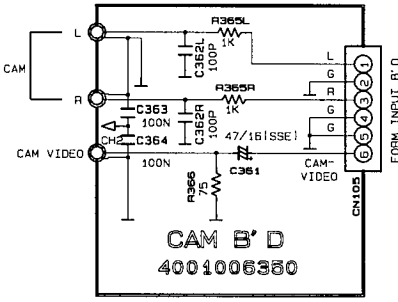
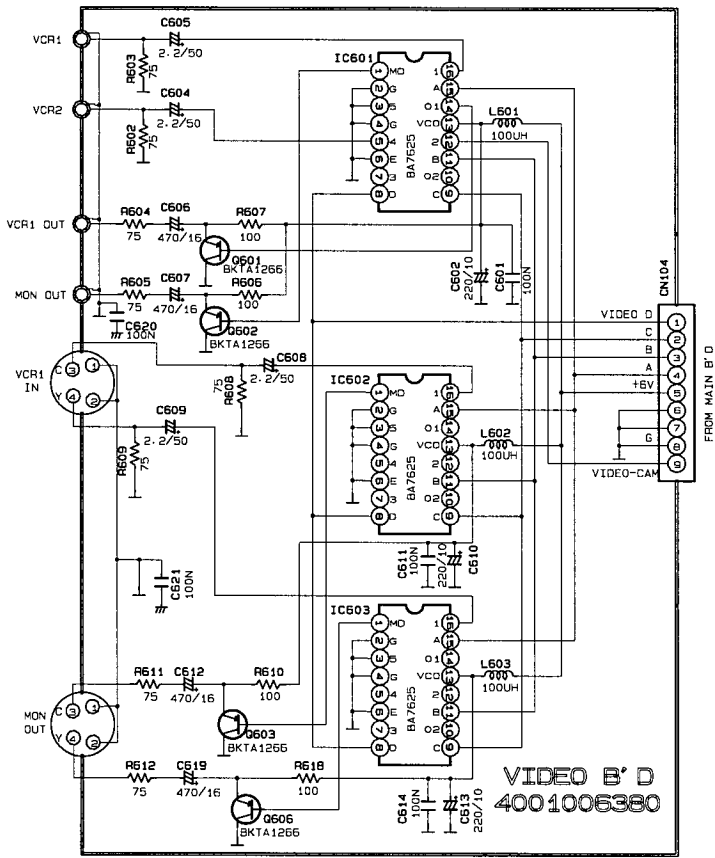
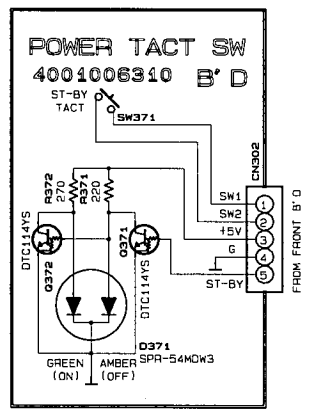
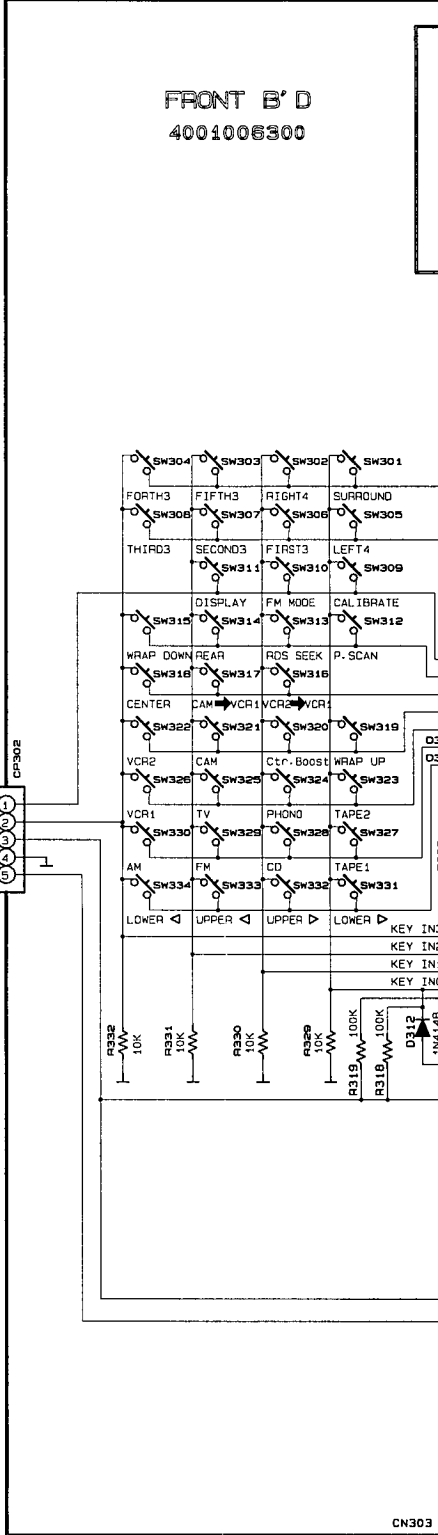
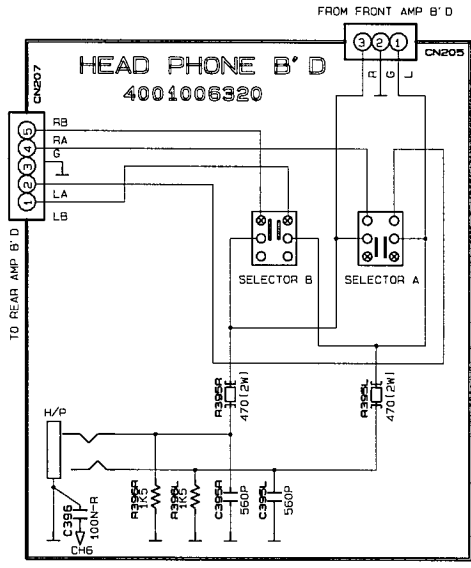
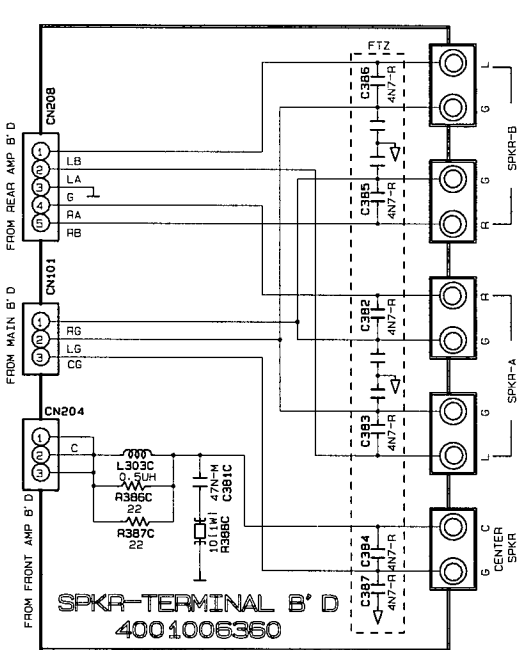


HAITAI HAITAI CAD TEAM

MODEL NAME	AVP51	DESIGN	
BOARD NAME	FRONT	INSPECTION	
STEP	M/P	APPROVAL	
SHEET NO.	1/7	DATE	96.12.9

SCHEMATIC D



NOTES

1. Resistor values are indicated in ohms unless otherwise specified [K=1,000 M=1,000,000]
2. Capacitor values are indicated in microfarads unless otherwise specified. [p=micro-microfarads]

CAUTION
Safety precaution to be followed during servicing

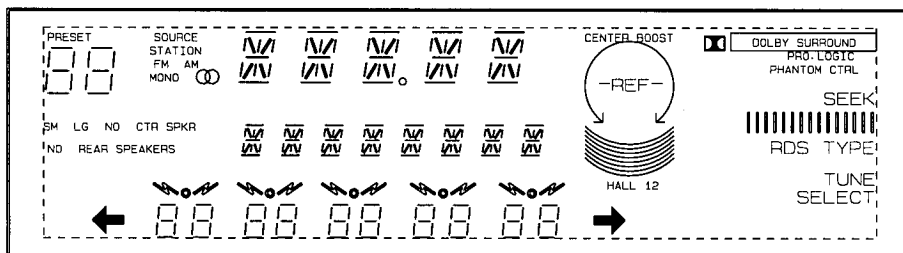
1) Since those parts marked with a triangle are critical parts for safety, use only the one described in the parts list.

2) Before returning the set to the customer make appropriate leakage current or resistance measurements to determine the exposed parts are properly insulated from the supply circuit.

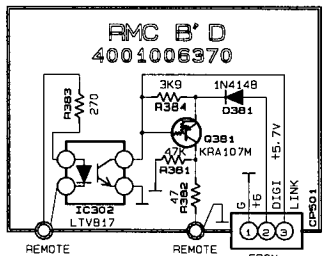
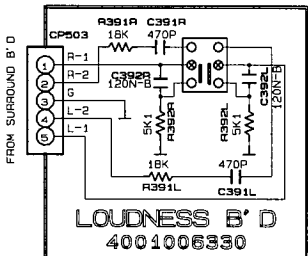
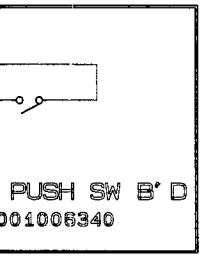
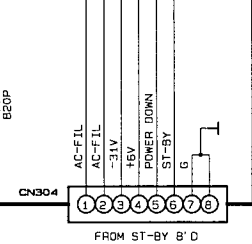
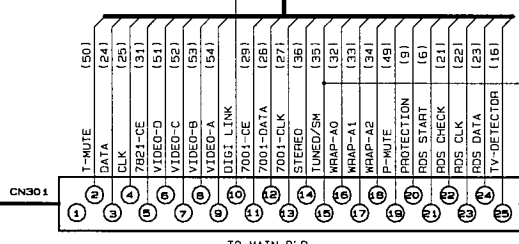
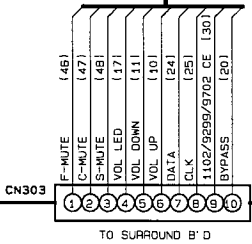
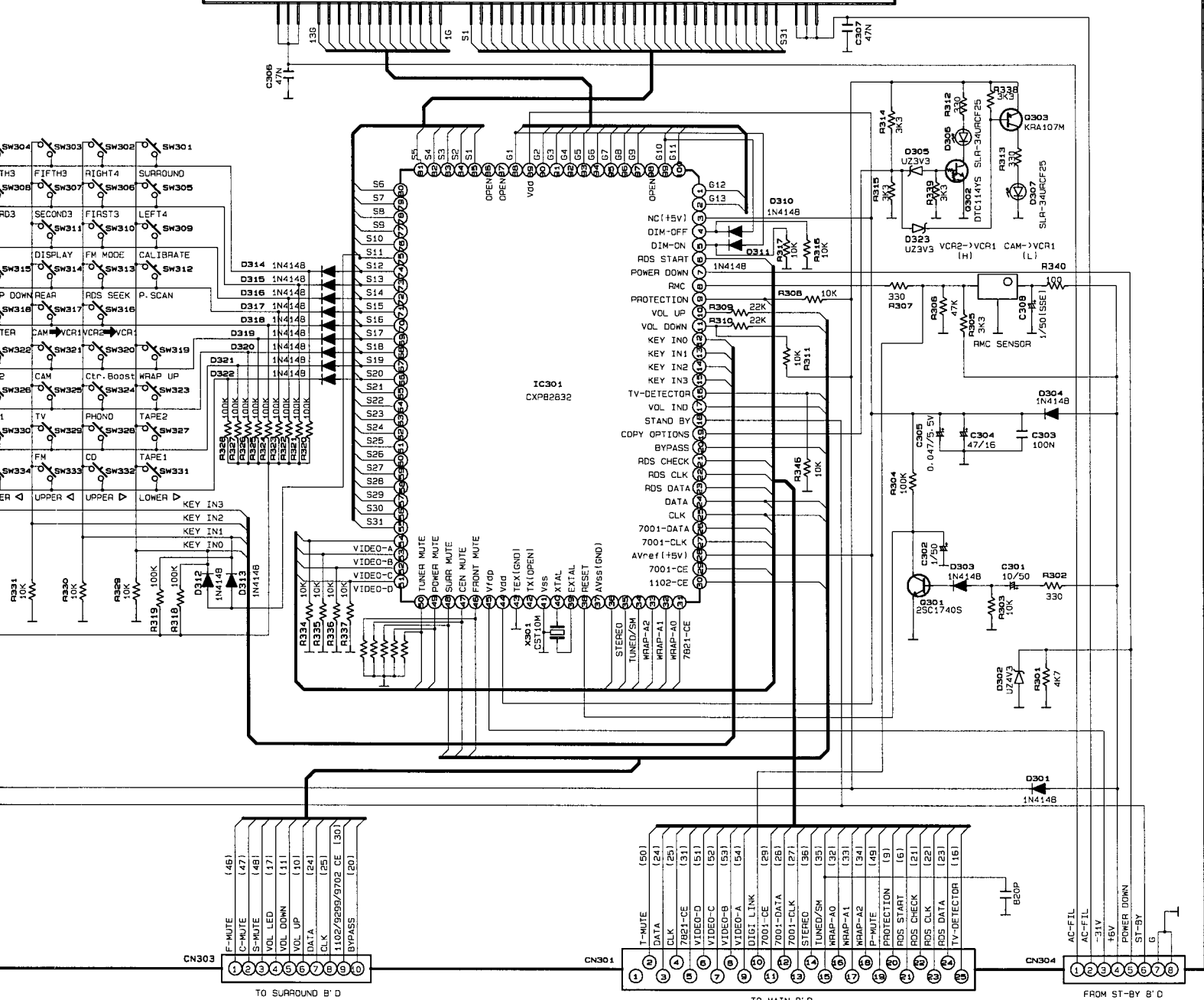
REVISED			
NO.	DATE	NO.	DATE
1		6	
2		7	
3		8	
4		9	
5		10	

WIRING DIAGRAM

FRONT B' D
4001006300



FIP CM1498C

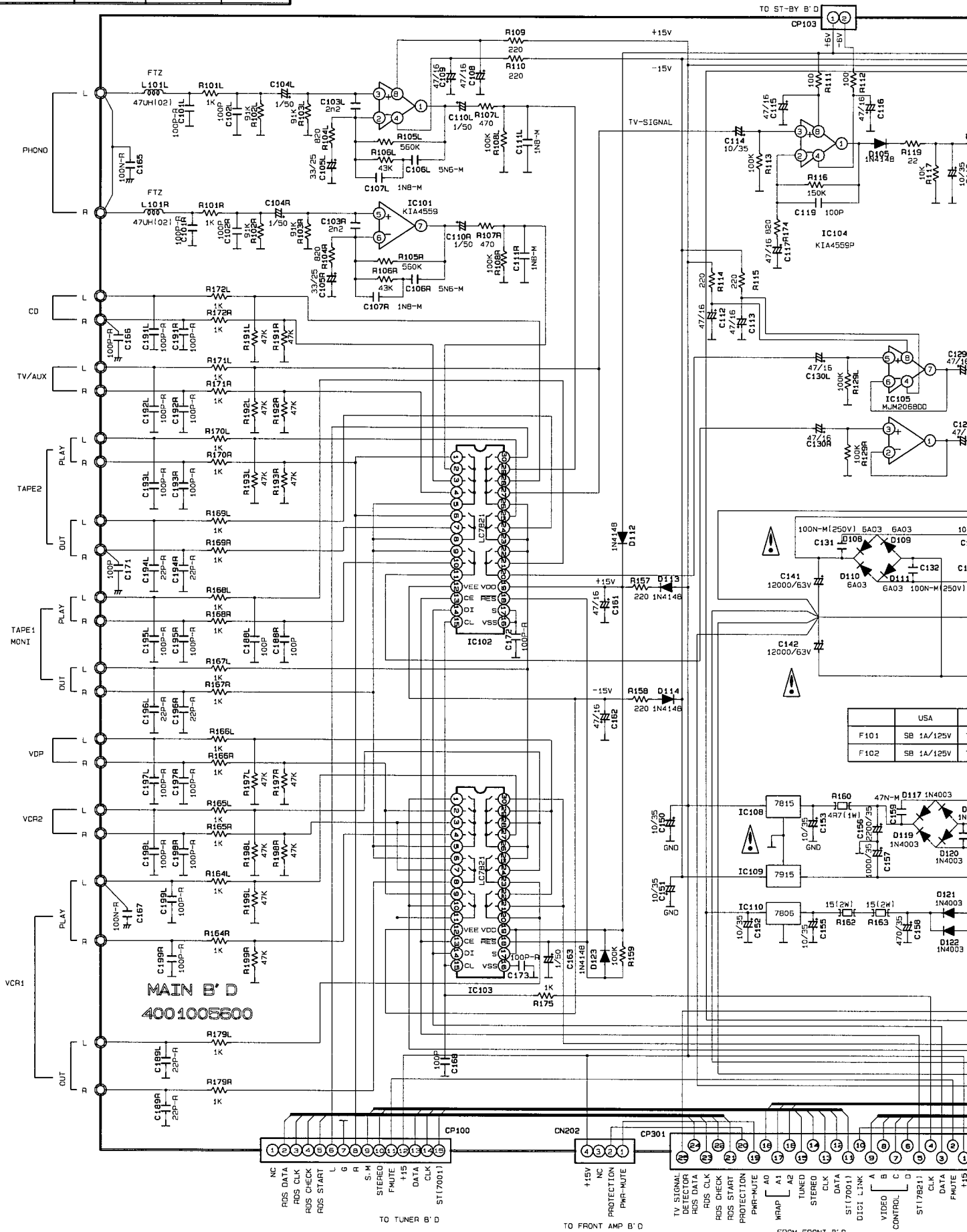


EQUIPMENT	RECEIVER	MODEL	AVR51
DRAW	CHECKED	APPROVED	DATE
			1996
			12/14
DRAWING (NO.)			E131- AVR51 (1/7) -00-D

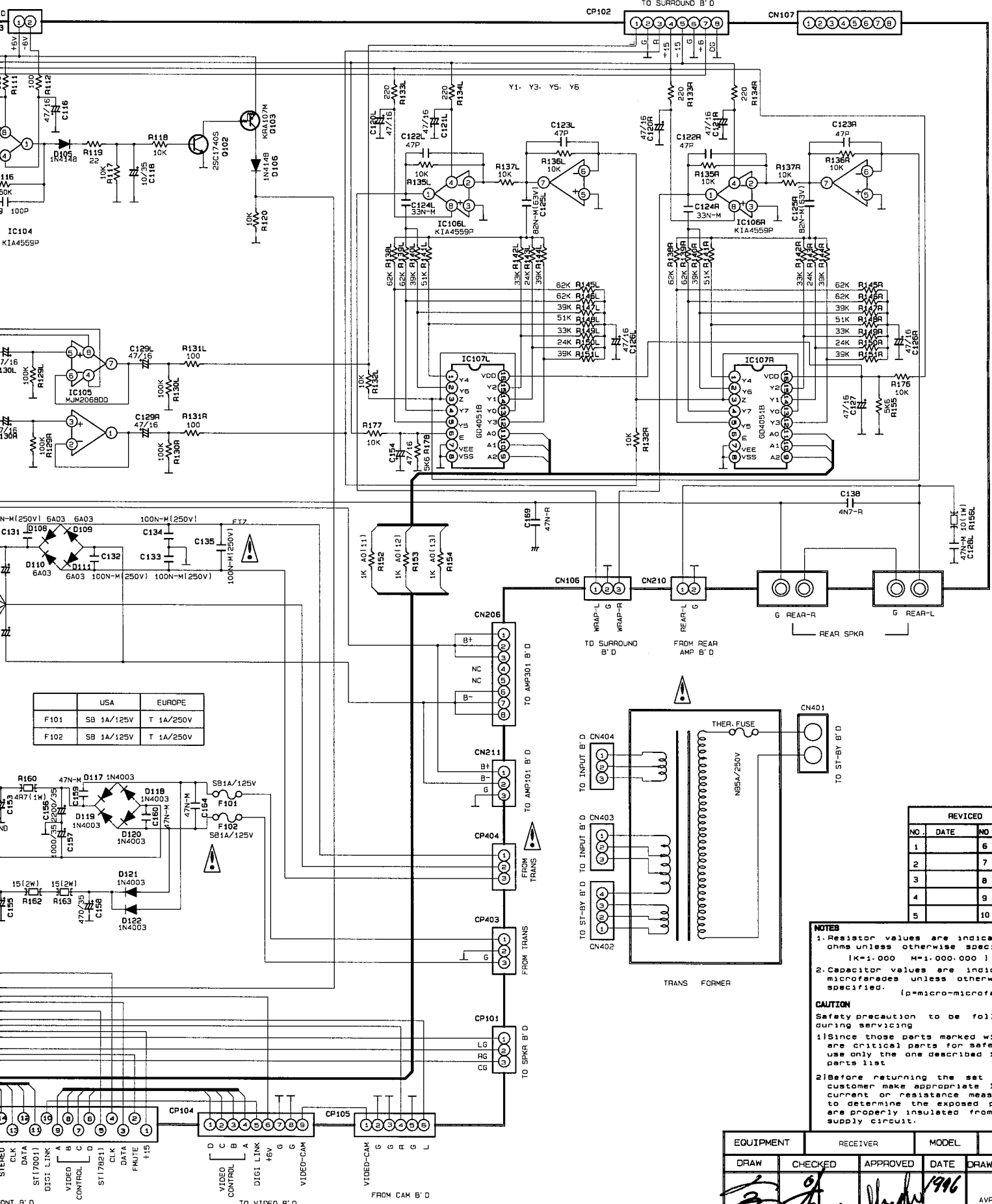
HAITAI HAITAI CAD TEAM

MODEL NAME	AVR51	DESIGN	
BOARD NAME	MAIN101	INSPECTION	
STEP	M/P	APPROVAL	
SHEET NO.	2/7	DATE	96.12.9.

SCHEMATIC



SCHEMATIC DIAGRAM



	USA	EUROPE
F101	SB 1A/125V	T 1A/250V
F102	SB 1A/125V	T 1A/250V

REVISED			
NO.	DATE	NO.	DATE
1		6	
2		7	
3		8	
4		9	
5		10	

NOTES

- Resistor values are indicated in ohms unless otherwise specified [K=1,000 M=1,000,000]
- Capacitor values are indicated in microfarads unless otherwise specified. (p=micro-microfarads)

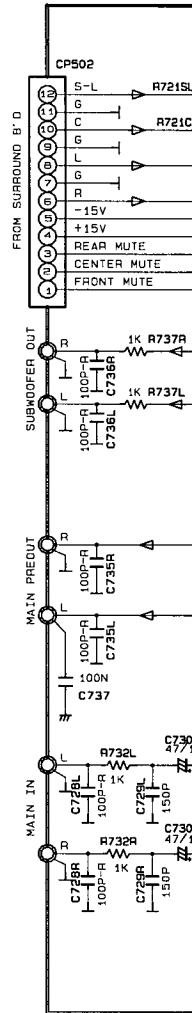
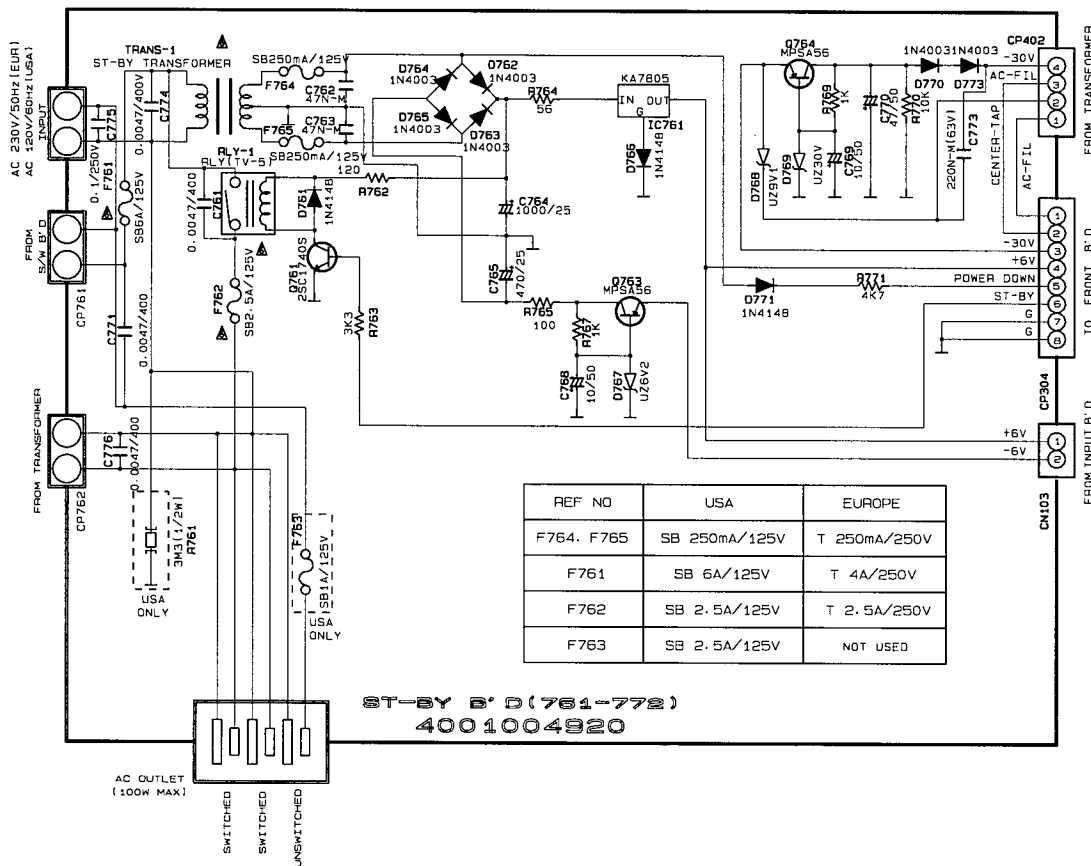
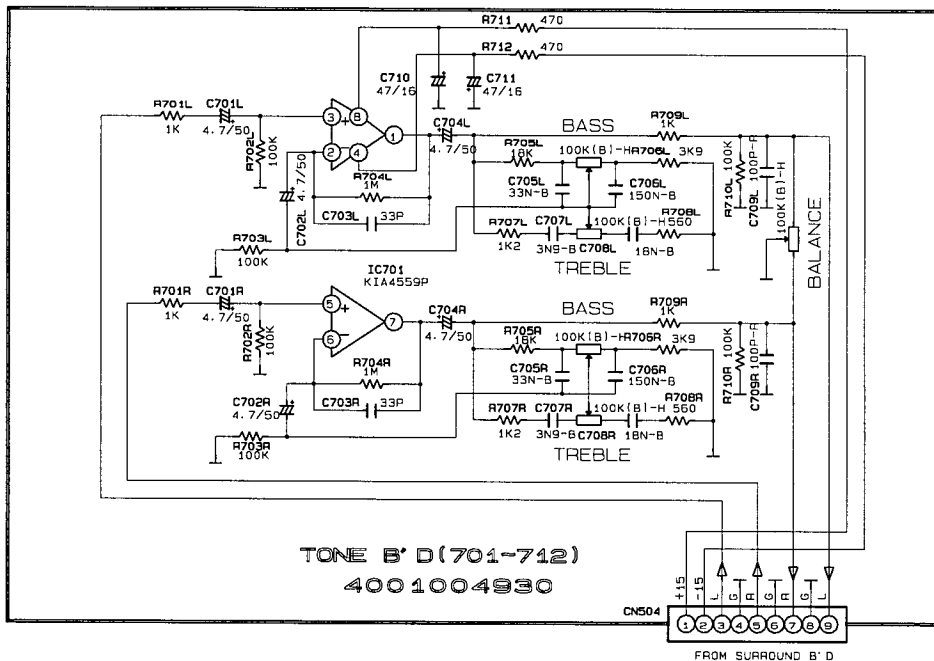
CAUTION

Safety precaution to be followed during servicing

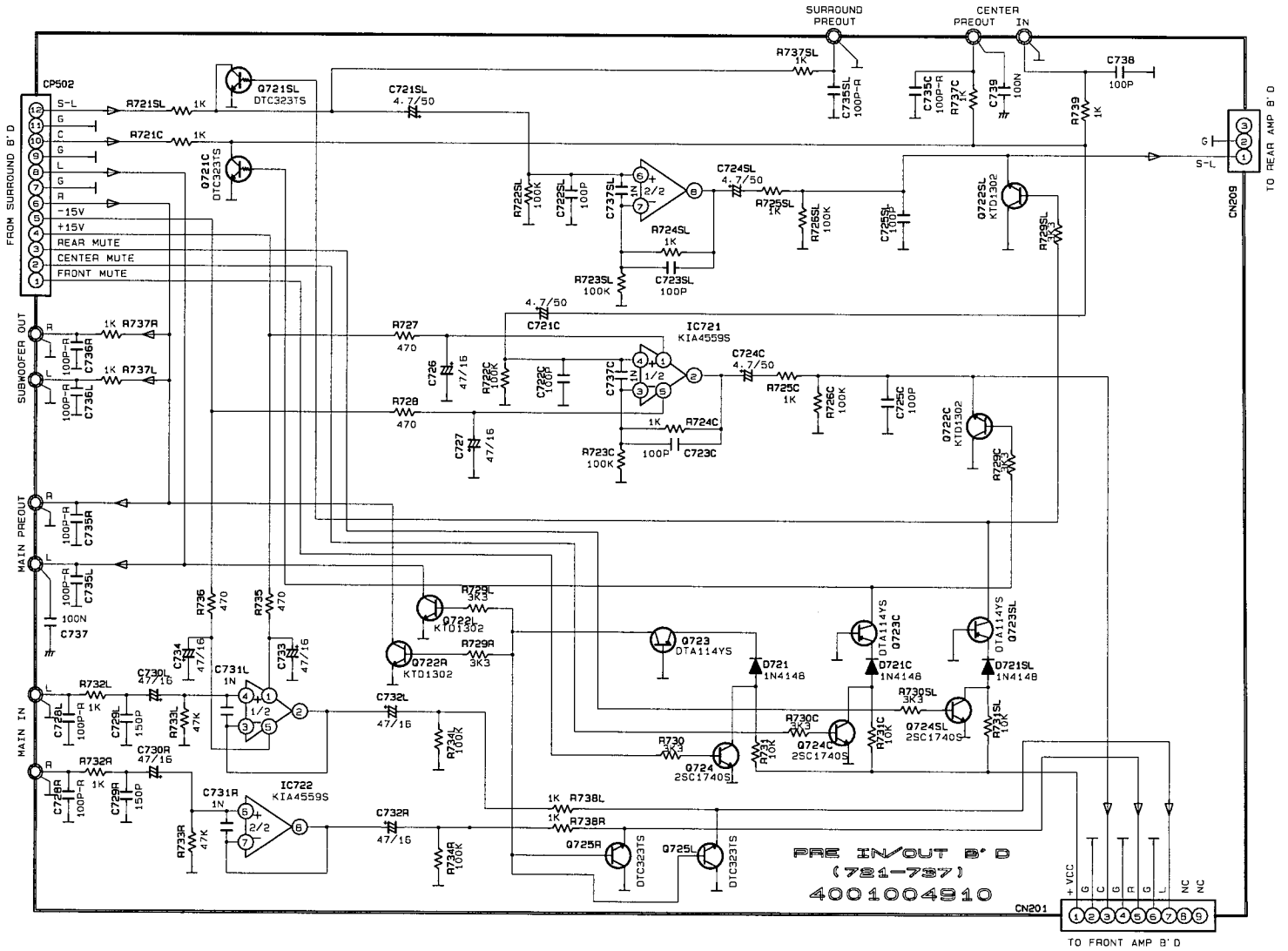
- Since those parts marked with are critical parts for safety, use only the one described in the parts list
- Before returning the set to the customer make appropriate leakage current or resistance measurements to determine the exposed parts are properly insulated from the supply circuit.

EQUIPMENT	RECEIVER	MODEL	AVR50/51
DRAW	CHECKED	APPROVED	DATE
			1996
			12/14
			E131- AVR50 (2/7) -00-C

MODEL NAME	AVR50/S1	DESIGN	
BOARD NAME	PRE-IN/OUT	INSPECTION	
STEP	M/P	APPROVAL	
SHEET NO.	3/7	DATE	95.12. 9.



SCHEMATIC DIAGRAM



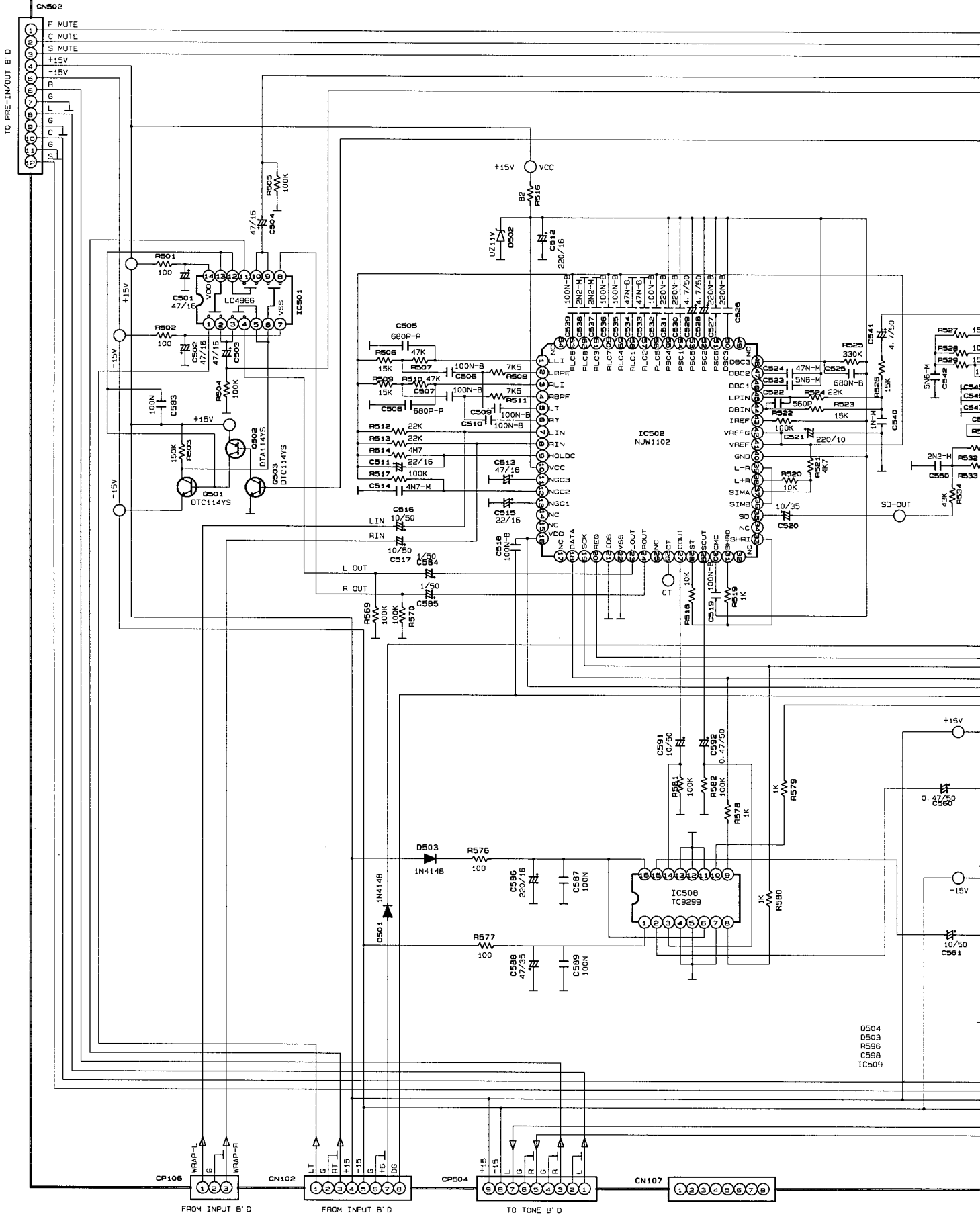
EQUIPMENT	RECEIVER	MODEL	AVR50/51
DRAW	CHECKED	APPROVED	DATE

A B C D E F G

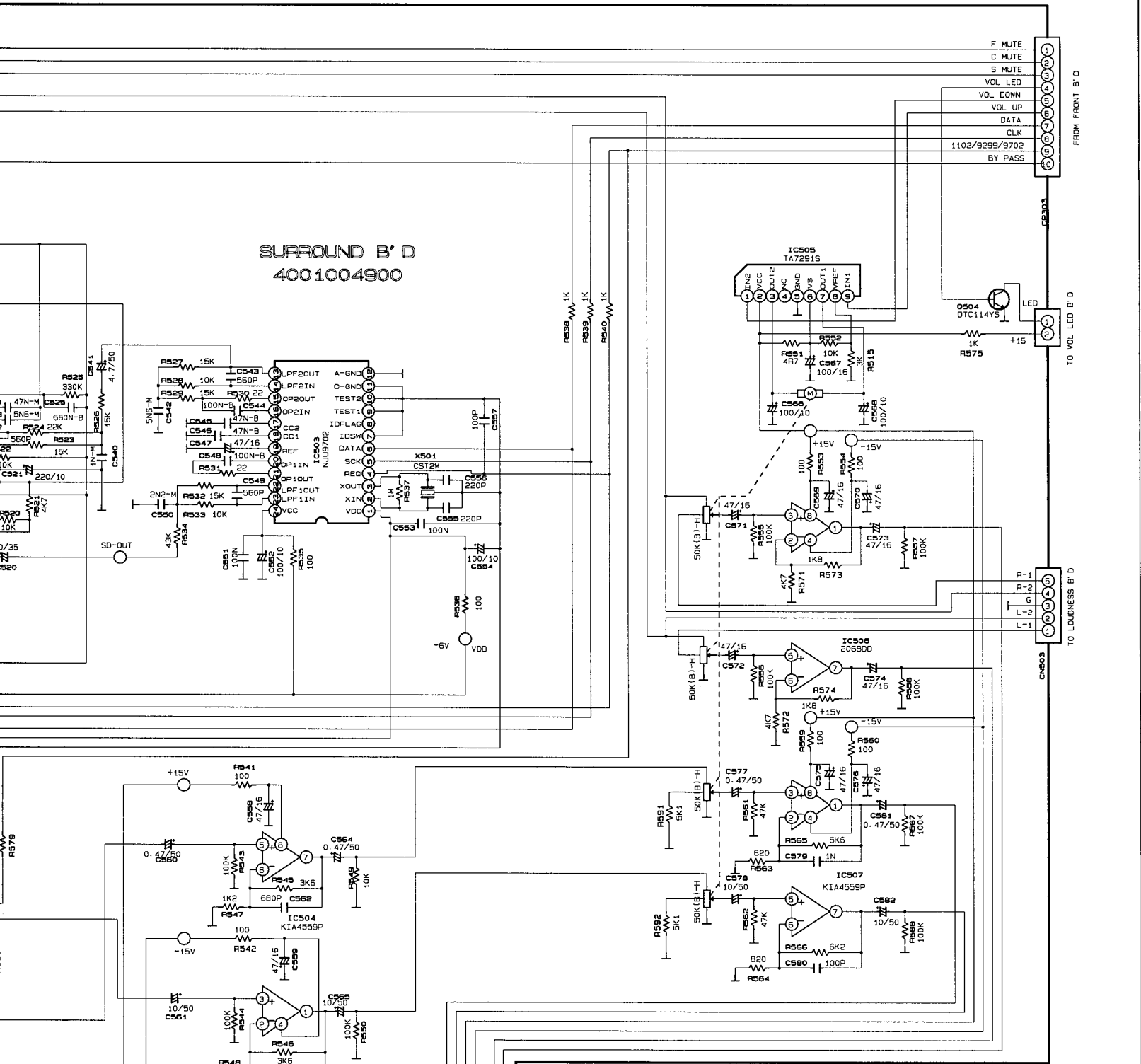
HAITAI HAITAI CAD TEAM			
MODEL NAME	SURRO2	DESIGN	
BOARD NAME	SURROUND	INSPECTION	
STEP	M/P	APPROVAL	
SHEET NO.	4/7	DATE	96.12.9.

SCHEMATIC

9
8
7
6
5
4
3
2
1



Schematic Diagram



NOTES

- Resistor values are indicated in ohms unless otherwise specified
[K=1,000 M=1,000,000]
- Capacitor values are indicated in microfarads unless otherwise specified.
[p=micro-microfarads]

CAUTION
Safety precaution to be followed during servicing

- Since those parts marked with a triangle are critical parts for safety, use only the one described in the parts list
- Before returning the set to the customer make appropriate leakage current or resistance measurements to determine the exposed parts are properly insulated from the supply circuit.

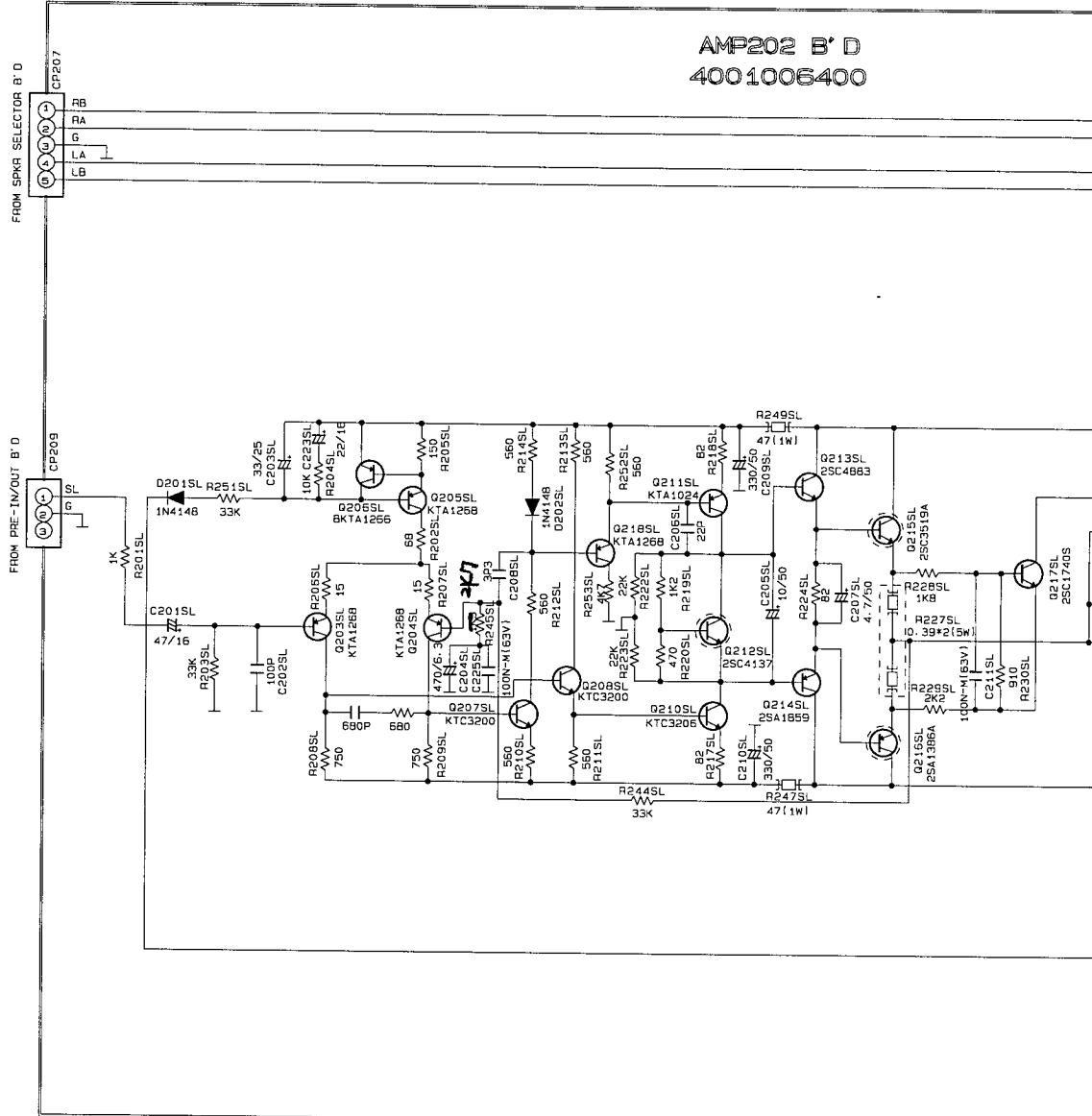
REVISED			
NO.	DATE	NO.	DATE
1		6	
2		7	
3		8	
4		9	
5		10	

EQUIPMENT		RECEIVER		MODEL		AVR50/51	
DRAW	CHECKED	APPROVED	DATE	DATE	DRAWING (NO)		
			1996	12/14		E-131-	
						AVR50 (4/7)	
						-00-C	

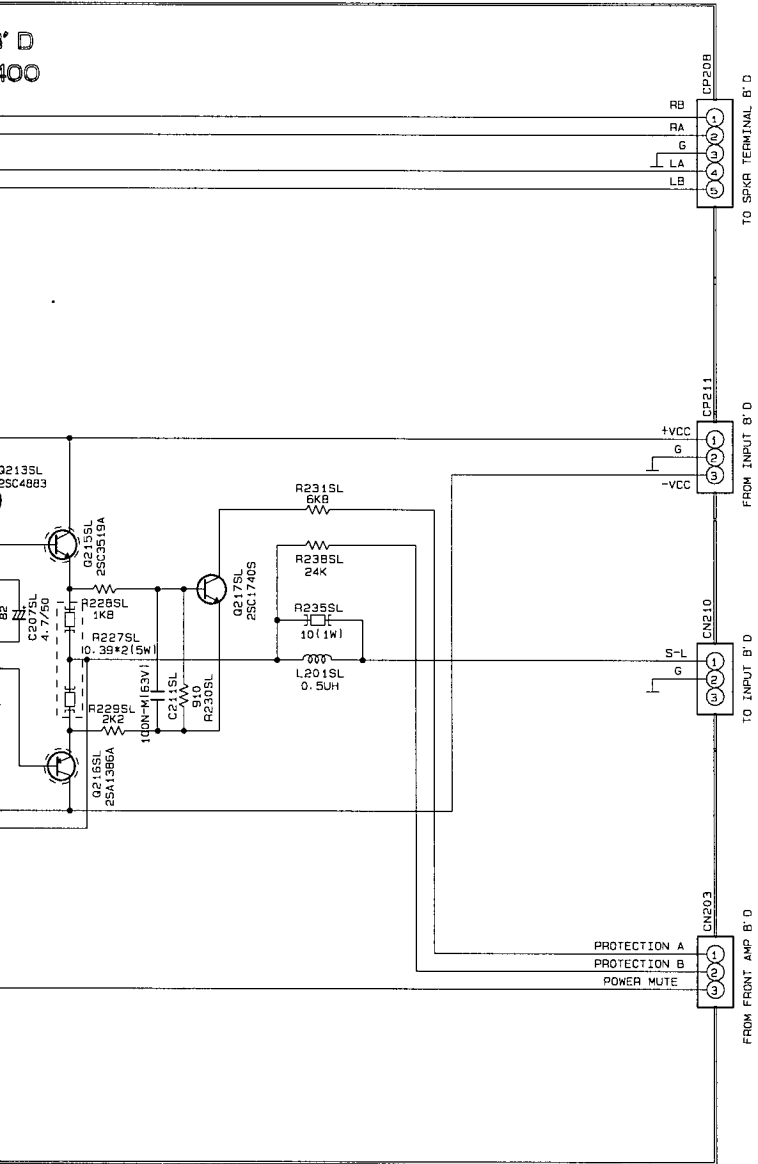
MODEL NAME	AVR50/51	DESIGN
BOARD NAME	AMP202	INSPECTION
STEP	M/P	APPROVAL
SHEET NO.	5/7	DATE
		96.12.9.

SCHEMATIC

AMP202 B'D
4001006400



SCHEMATIC DIAGRAM



REVISED			
NO.	DATE	NO.	DATE
1		6	
2		7	
3		8	
4		9	
5		10	

NOTES
 1. Resistor values are indicated in ohms unless otherwise specified
 (K=1,000 M=1,000,000)
 2. Capacitor values are indicated in microfarads unless otherwise specified.
 (p=micro-microfarads)

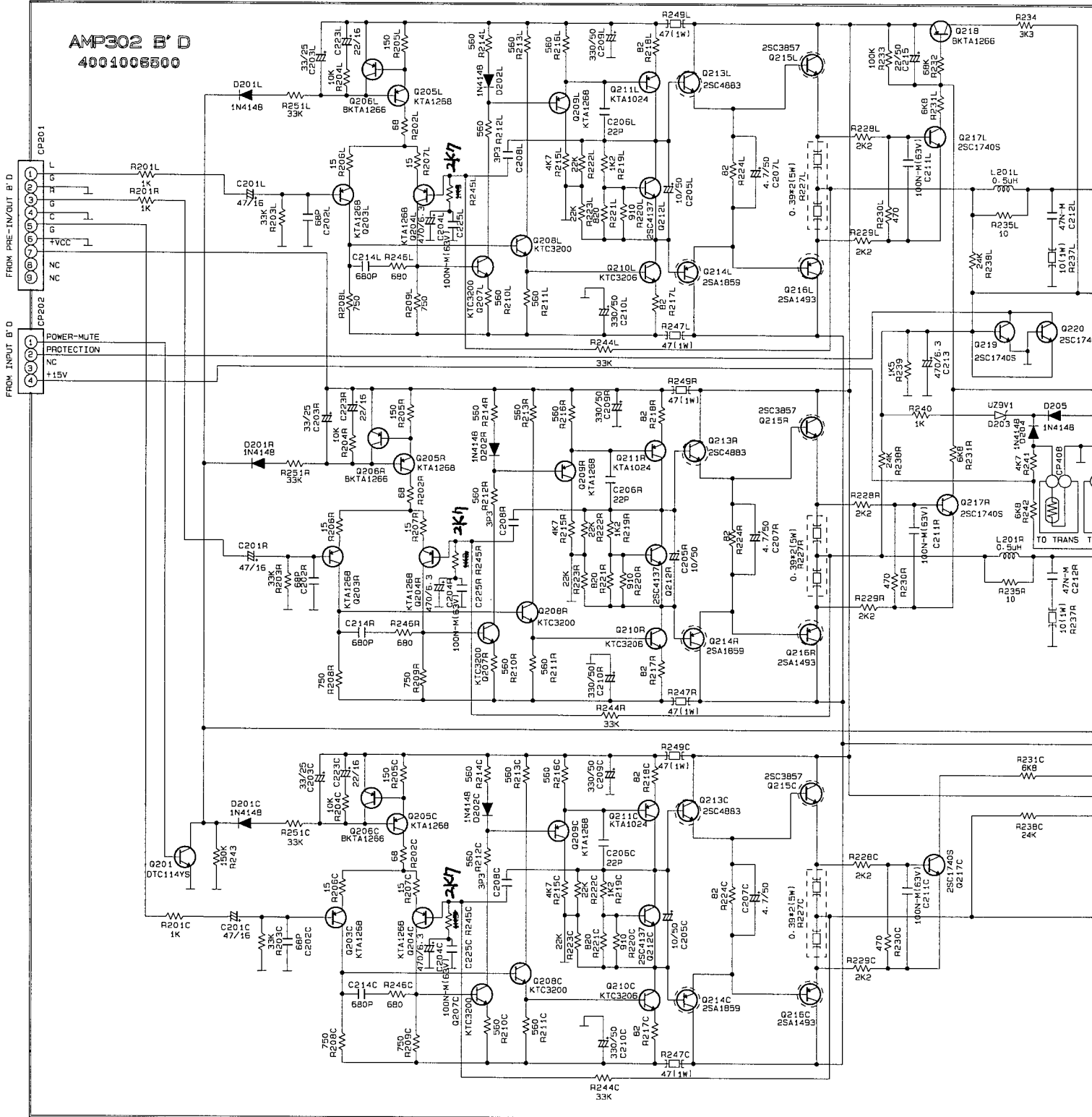
CAUTION
 Safety precaution to be followed during servicing
 1) Since those parts marked with are critical parts for safety, use only the one described in the parts list.
 2) Before returning the set to the customer make appropriate leakage current or resistance measurements to determine the exposed parts are properly insulated from the supply circuit.

EQUIPMENT	RECEIVER	MODEL	AVR50/51
DRAW	CHECKED	APPROVED	DATE
			12.14
			1996
			12.14
			E131-AVR50(5/7) -00-C

INKEL CAD TEAM		
MODEL NAME	AVR50/51	DESIGN
BOARD NAME	AMP302	INSPECTION
STEP	M/P	APPROVAL
SHEET NO.	6/7	DATE 96.12.9.

SCHEMATIC DI

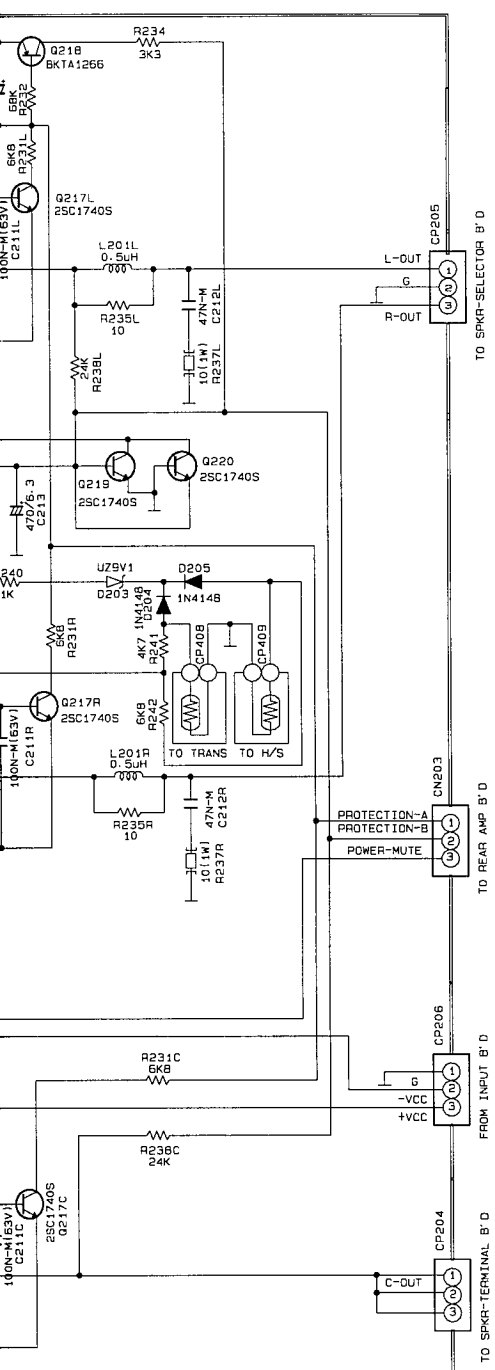
AMP302 B' D
4001006300



0
00
7
0
0
4
3
2
1

G | H | I | J | K | L | M

IC DIAGRAM



NOTES
 1. Resistor values are indicated in ohms unless otherwise specified [K=1,000 M=1,000,000]
 2. Capacitor values are indicated in microfarads unless otherwise specified. (p=micro-microfarads)

CAUTION
 Safety precaution to be followed during servicing

1) Since those parts marked with are critical parts for safety, use only the one described in the parts list.

2) Before returning the set to the customer make appropriate leakage current or resistance measurements to determine the exposed parts are properly insulated from the supply circuit.

REVISED			
NO.	DATE	NO.	DATE
1		6	
2		7	
3		8	
4		9	
5		10	

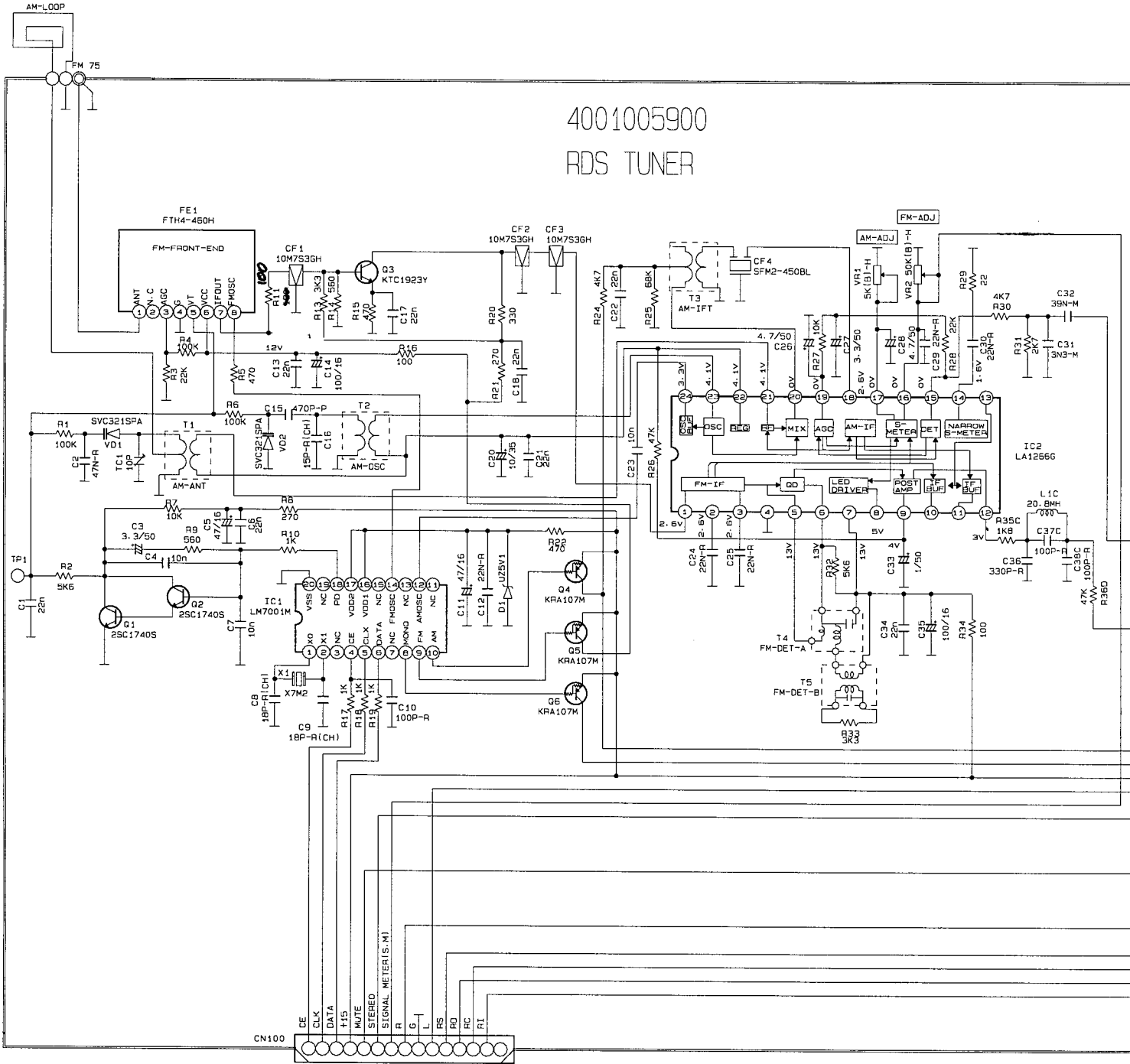
EQUIPMENT		RECEIVER		MODEL		AVR50/S1	
DRAW	CHECKED	APPROVED	DATE	DRAWING (NO.)			
			1996 12/14	E131- AVR50(6/7)	-00-0		

inke INKEL CAD TEAM

MODEL NAME	AVR41/S1/61	DESIGN	
BOARD NAME	RDS TUNER1	INSPECTION	
STEP	M/P	APPROVAL	
SHEET NO.	777	DATE	96.12.9.

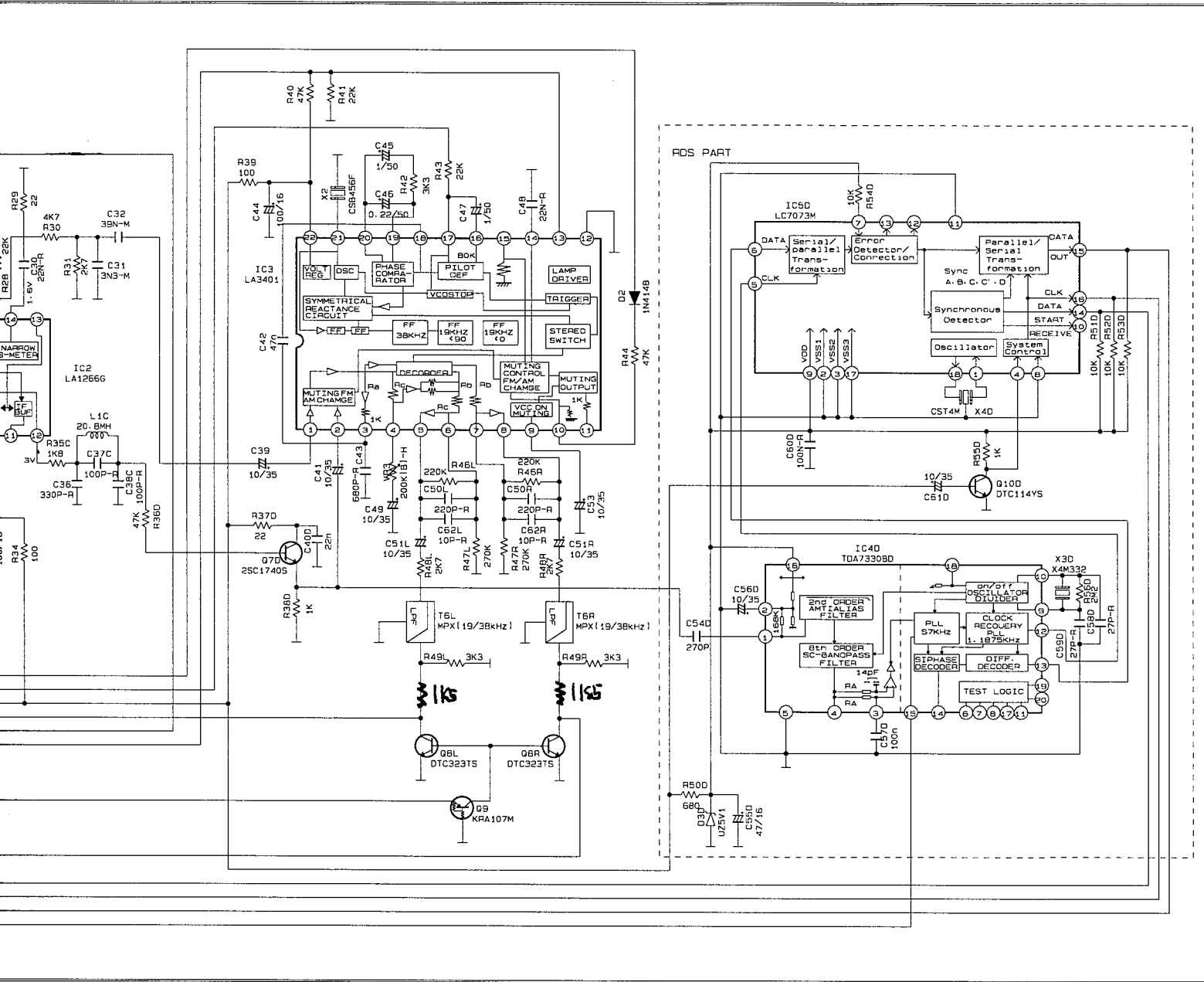
SCHEMATIC DIA

4001005900
RDS TUNER



G H I J K L M

IC DIAGRAM



NOTES

- Resistor values are indicated in ohms unless otherwise specified
[K=1,000 M=1,000,000]
- Capacitor values are indicated in microfarads unless otherwise specified.
[p=micro-microfarads]

CAUTION

Safety precaution to be followed during servicing

- Since those parts marked with a triangle are critical parts for safety, use only the one described in the parts list.
- Before returning the set to the customer make appropriate leakage current or resistance measurements to determine the exposed parts are properly insulated from the supply circuit.

REVISED		EQUIPMENT		RECEIVER		MODEL	
NO.	DATE	NO.	DATE				
1		6					AVR41/51/51
2		7					
3		8					
4		9					E131- AVR41 (7/77)
5		10					-00-C

D5
 Q9
 R55
 C62

DRAW: *[Signature]*
 CHECKED: *[Signature]*
 APPROVED: *[Signature]*
 DATE: 12.14
 DRAWING (NO.): 996