

BLOCK DIAGRAM AVR 435/635

(AUDIO PART)

(POWER PART)

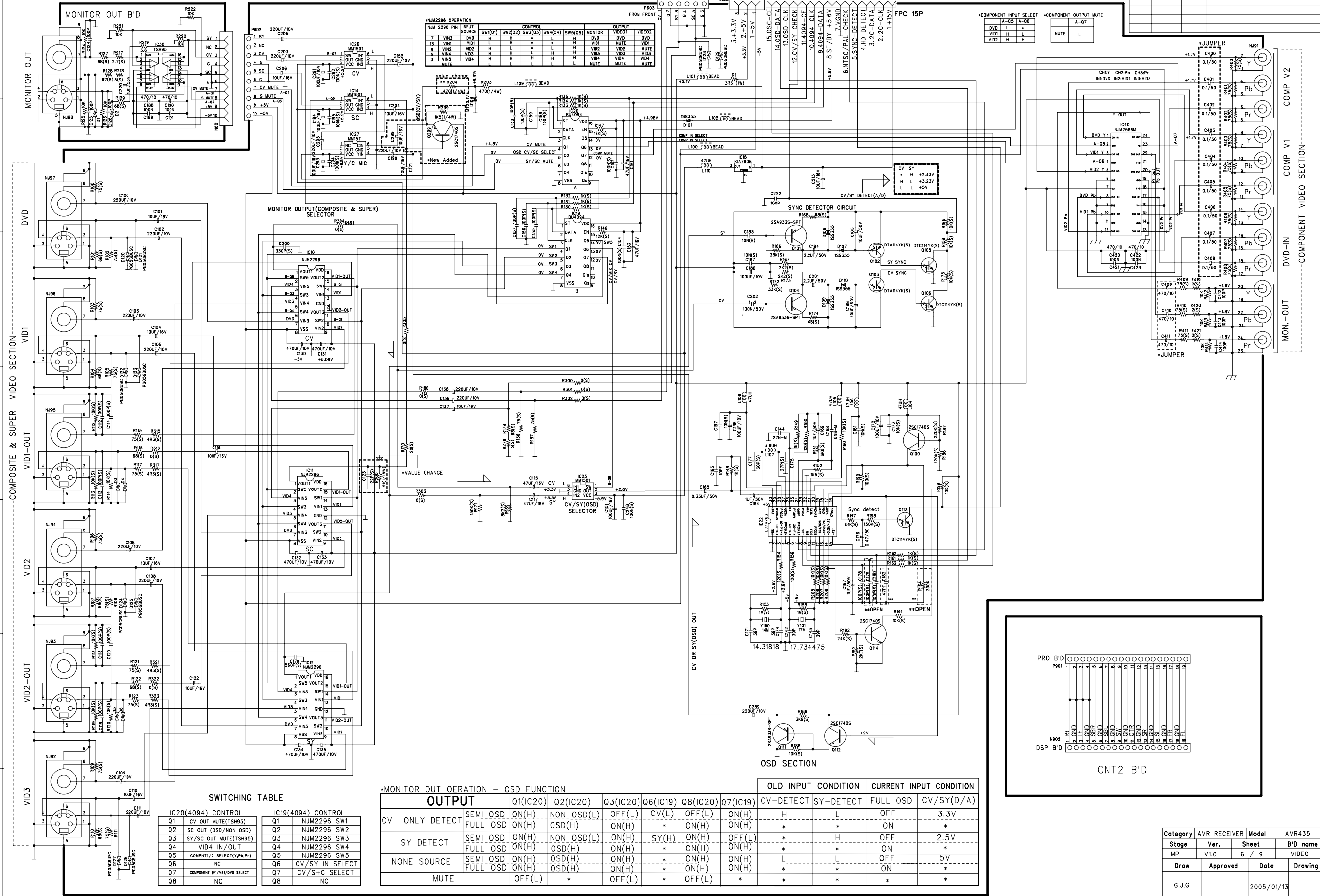
DRAWN:		DATED:		COMPANY:	
CHECKED:		DATED:		TITLE:	
QUALITY CONTROL:		DATED:		CODE:	SIZE:
RELEASED:		DATED:		DRAWING NO:	REV:
SCALE: MP STAGE				SHEET: of	

SCHEMATIC DIAGRAM

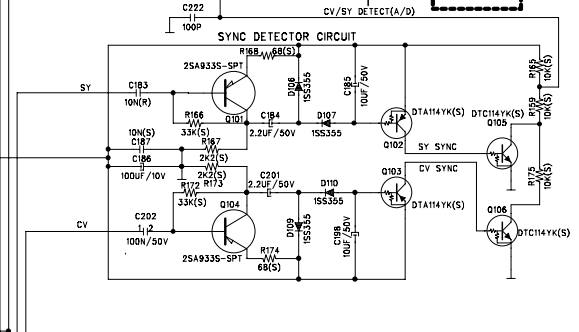
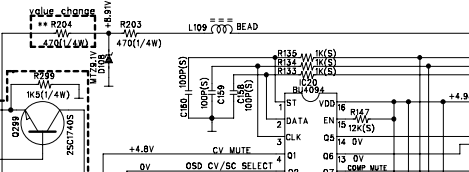
harman/kardon
AVR435 VIDEO

REVISION RECORD		
NO.	Date	Contents

... THE UNIT OF RESISTANCE IS OHM.
... K=1000 OHM, M=1000 K OHM.
... THE UNIT OF CAPACITANCE IS MICROFARAD (UF)
... THE SCHEMATIC DIAGRAM MAY MODIFIED AT ANYTIME WITH THE IMPROVEMENT OF PERFORMANCE.

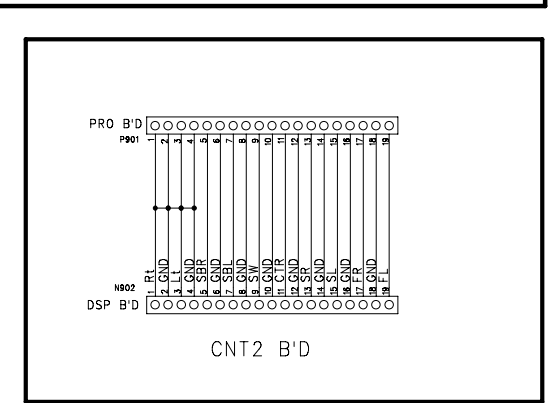


NIM 2296 PIN	INPUT SOURCE	CONTROL	MONITOR	OUTPUT
7	VNS	DVD	H	DVD
8	VN1	VID1	L	VID1
9	VN2	VID2	L	VID2
10	VN3	VID3	L	VID3
11	VN4	VID4	L	VID4
12	MUTE	MUTE	L	MUTE



SWITCHING TABLE	
IC20(4094) CONTROL	IC19(4094) CONTROL
Q1 CV OUT MUTE(TSH95)	Q1 NJM2296 SW1
Q2 SC OUT (OSD/NON OSD)	Q2 NJM2296 SW2
Q3 SY/SC OUT MUTE(TSH95)	Q3 NJM2296 SW3
Q4 VID4 IN/OUT	Q4 NJM2296 SW4
Q5 COMPNT1/2 SELECT(Y,Pb,Pr)	Q5 NJM2296 SW5
Q6 NC	Q6 CV/SY IN SELECT
Q7 NC	Q7 CV/S+C SELECT
Q8 NC	Q8 NC

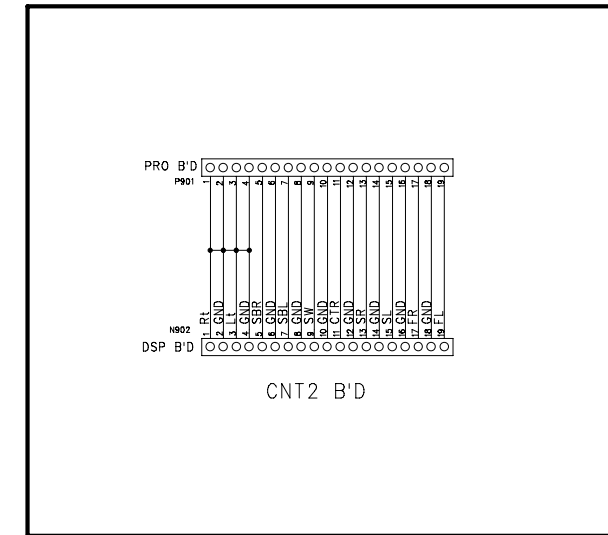
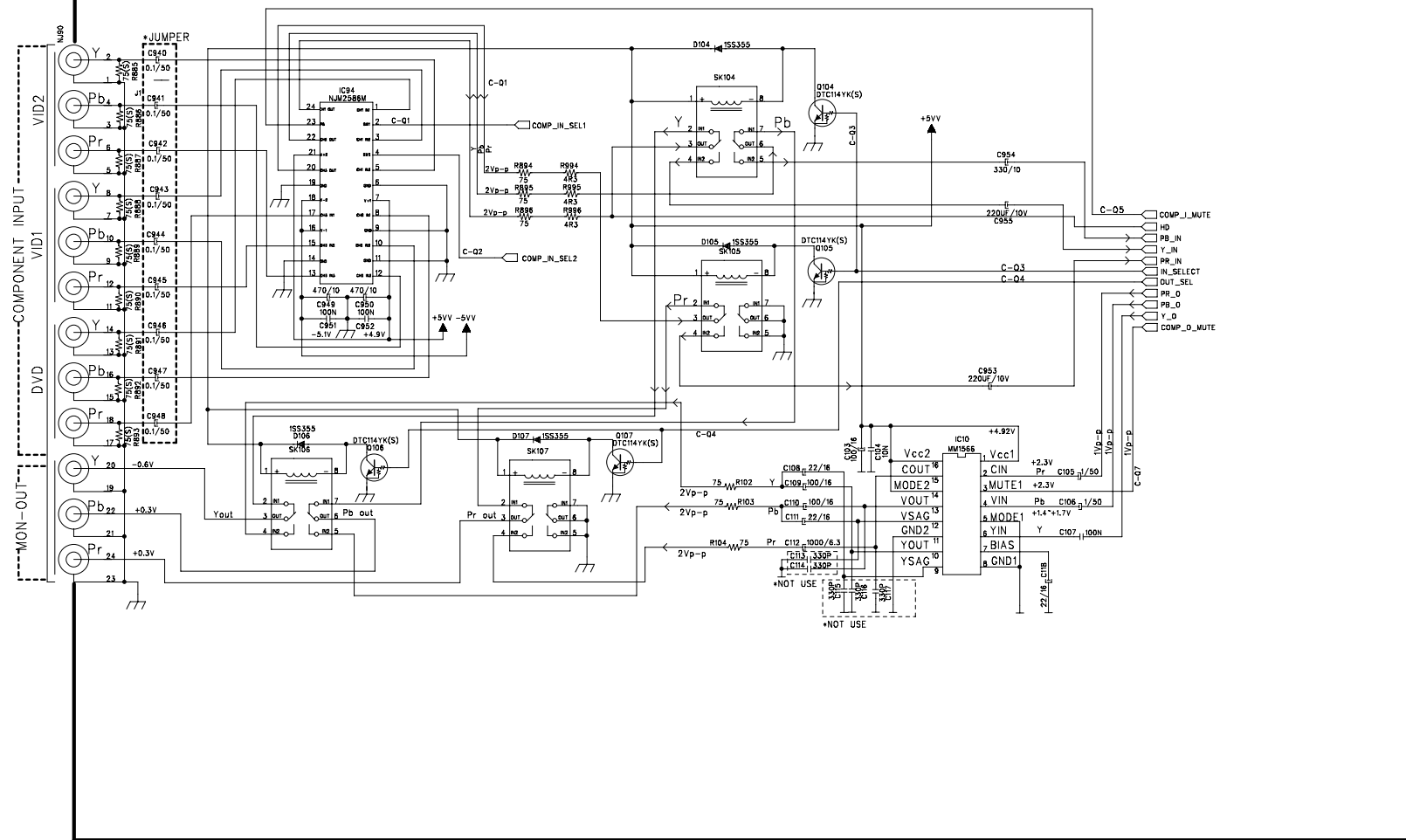
*MONITOR OUT OPERATION - OSD FUNCTION		OLD INPUT CONDITION		CURRENT INPUT CONDITION						
OUTPUT	Q1(IC20)	Q2(IC20)	Q3(IC20)	Q6(IC19)	Q8(IC20)	Q7(IC19)	CV-DETECT	SY-DETECT	FULL OSD	CV/SY(D/A)
CV ONLY DETECT	SEMI OSD	ON(H)	NON OSD(L)	OFF(L)	CV(L)	OFF(L)	ON(H)	L	OFF	3.3V
FULL OSD	FULL OSD	ON(H)	OSD(H)	ON(H)	*	ON(H)	*	*	ON	*
SY DETECT	SEMI OSD	ON(H)	NON OSD(L)	ON(H)	SY(H)	ON(H)	OFF(L)	H	OFF	2.5V
FULL OSD	FULL OSD	ON(H)	OSD(H)	ON(H)	*	ON(H)	*	*	ON	*
NONE SOURCE	SEMI OSD	ON(H)	OSD(H)	ON(H)	*	ON(H)	ON(H)	L	OFF	5V
FULL OSD	FULL OSD	ON(H)	OSD(H)	ON(H)	*	ON(H)	ON(H)	*	ON	*
MUTE	OFF(L)	*	OFF(L)	*	OFF(L)	*	*	*	*	*



Category	AVR RECEIVER	Model	AVR435
Stage	Ver.	Sheet	B'D name
MP	V1.0	6 / 9	VIDEO
Draw	Approved	Date	Drawing No
G.J.C		2005/01/13	

REVISION RECORD		
NO.	Date	Contents

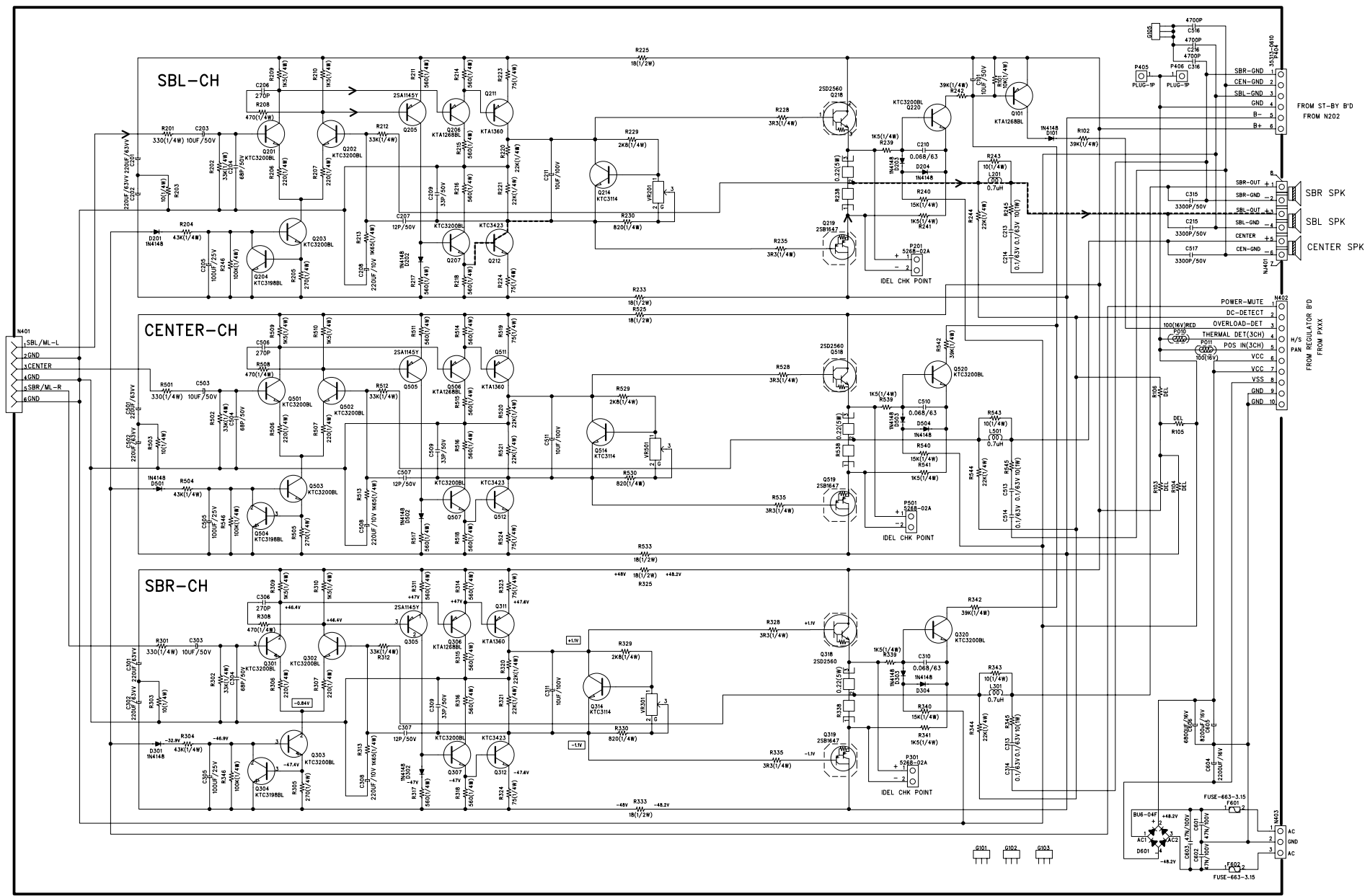
COMPONENT B'D



Category	AVR RECEIVER	Model	AVR635
Stage	Ver.	Sheet	B'D name
MP	1.1	/	VIDEO
Draw	Approved <th>Date</th> <td>Drawing No</td>	Date	Drawing No
GEUM.J.G		2004.10.22	

AVR 435 CENTER SB AMP SCHEMATIC DIAGRAM

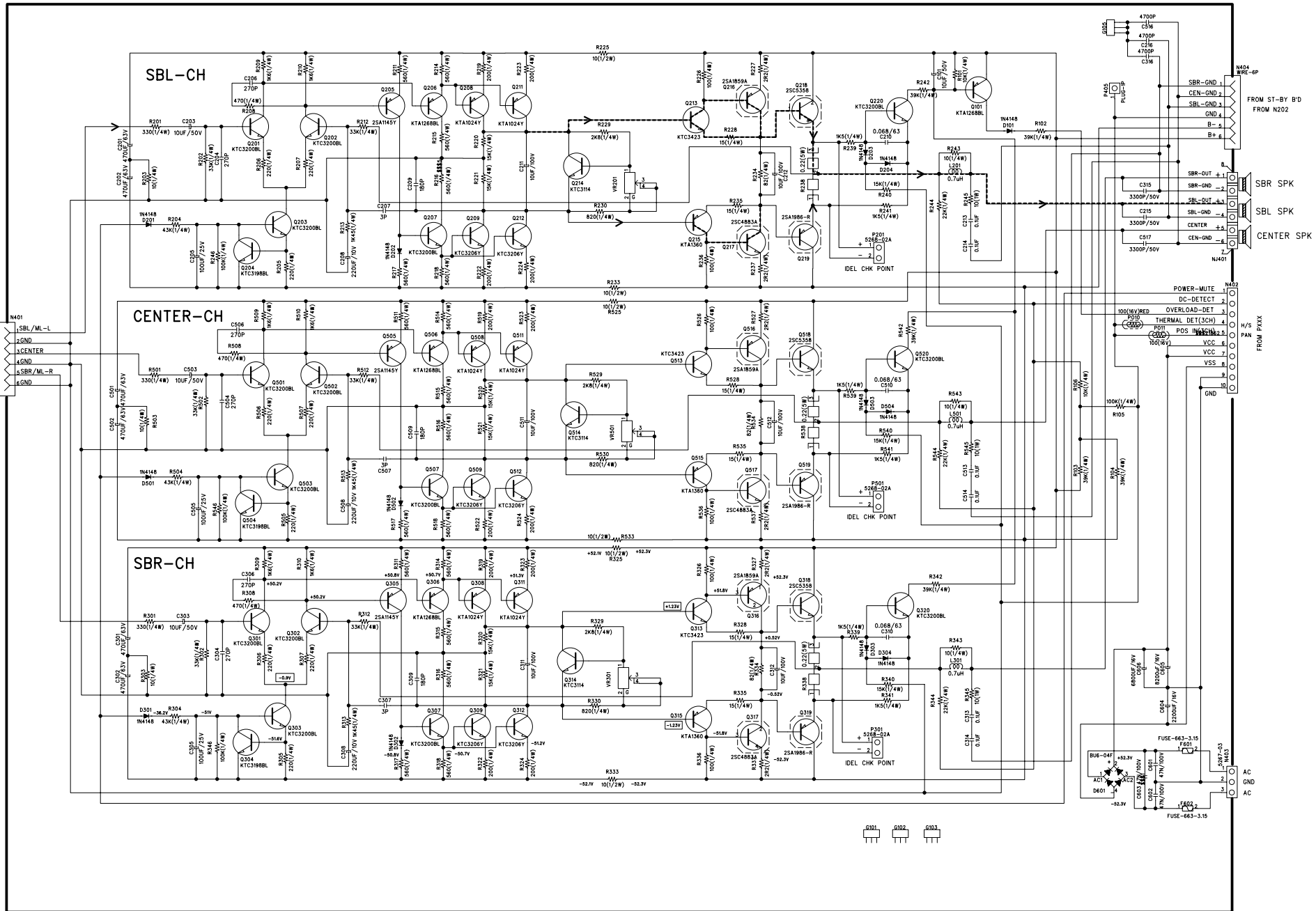
REVISION RECORD		
NO.	Date	Contents



Category	AVR RECEIVER	Model	AVR435
Stage	Ver.	Sheet	B'D name
HMS		/	SURROUND
Draw	Approved	Date	Drawing No
KIM.S.Y		2005.1.05	

AVR 635 CENTER SB AMP SCHEMATIC DIAGRAM

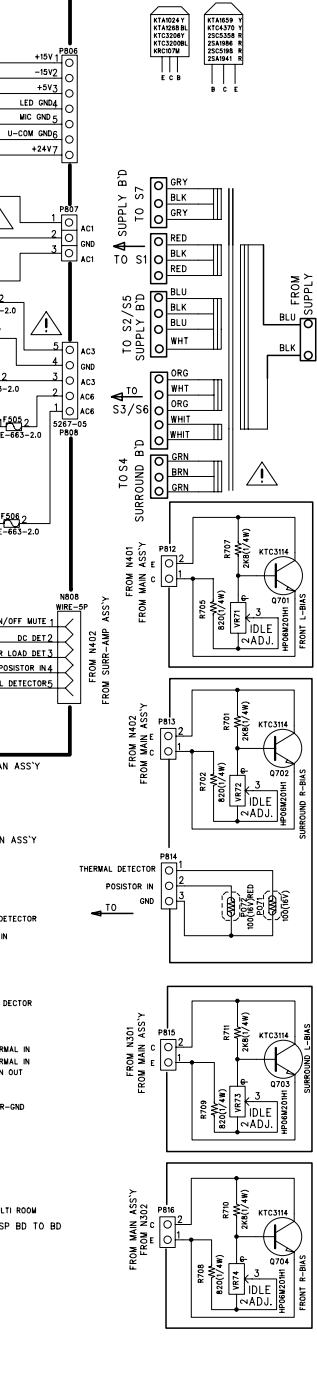
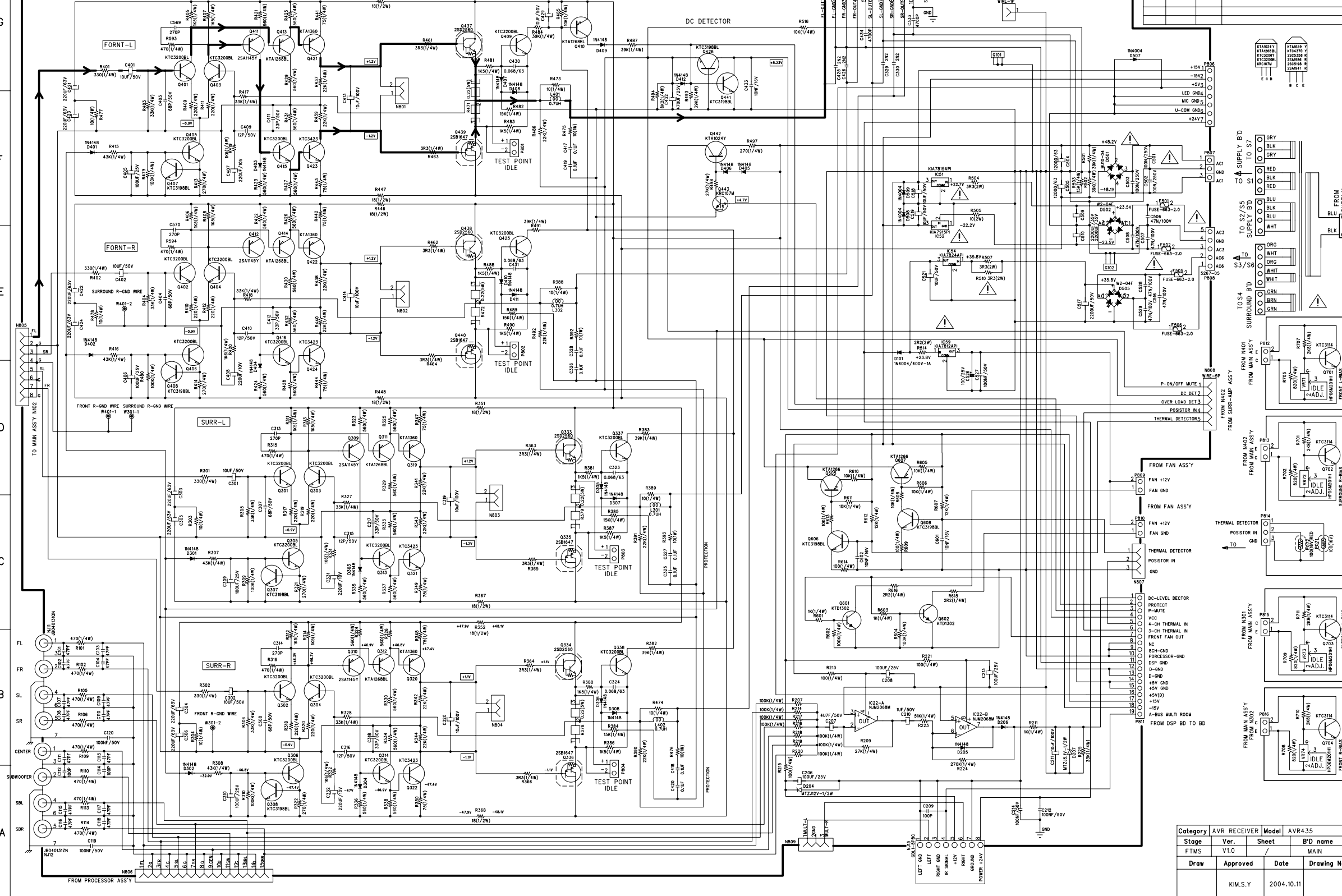
REVISION RECORD		
No.	Date	Contents



Category	AVR RECEIVER	Model	AVR635
Stage	Ver.	Sheet	B'D name
MP		/	SURROUND
Draw	Approved	Date	Drawing No
KIM.S.Y		2004.10.19	

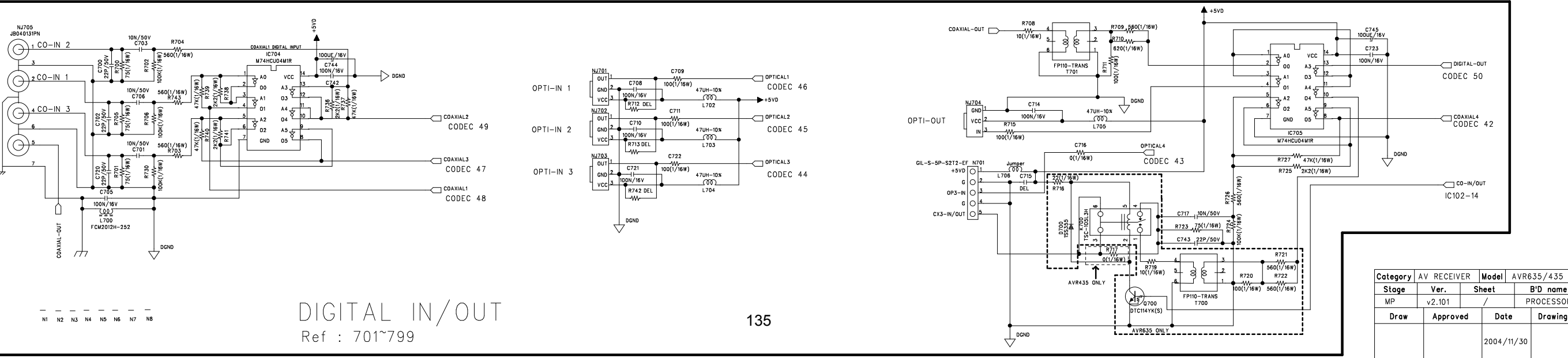
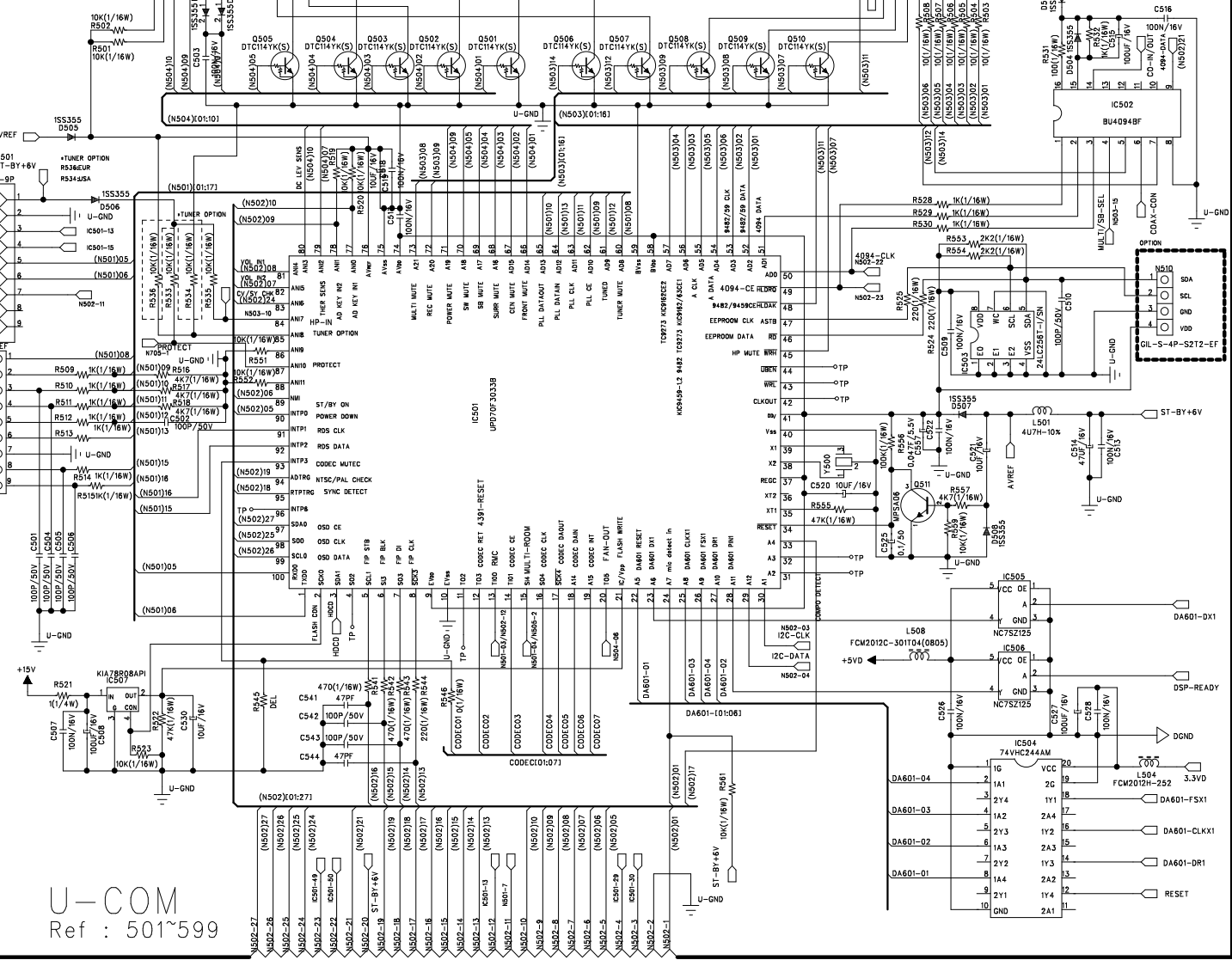
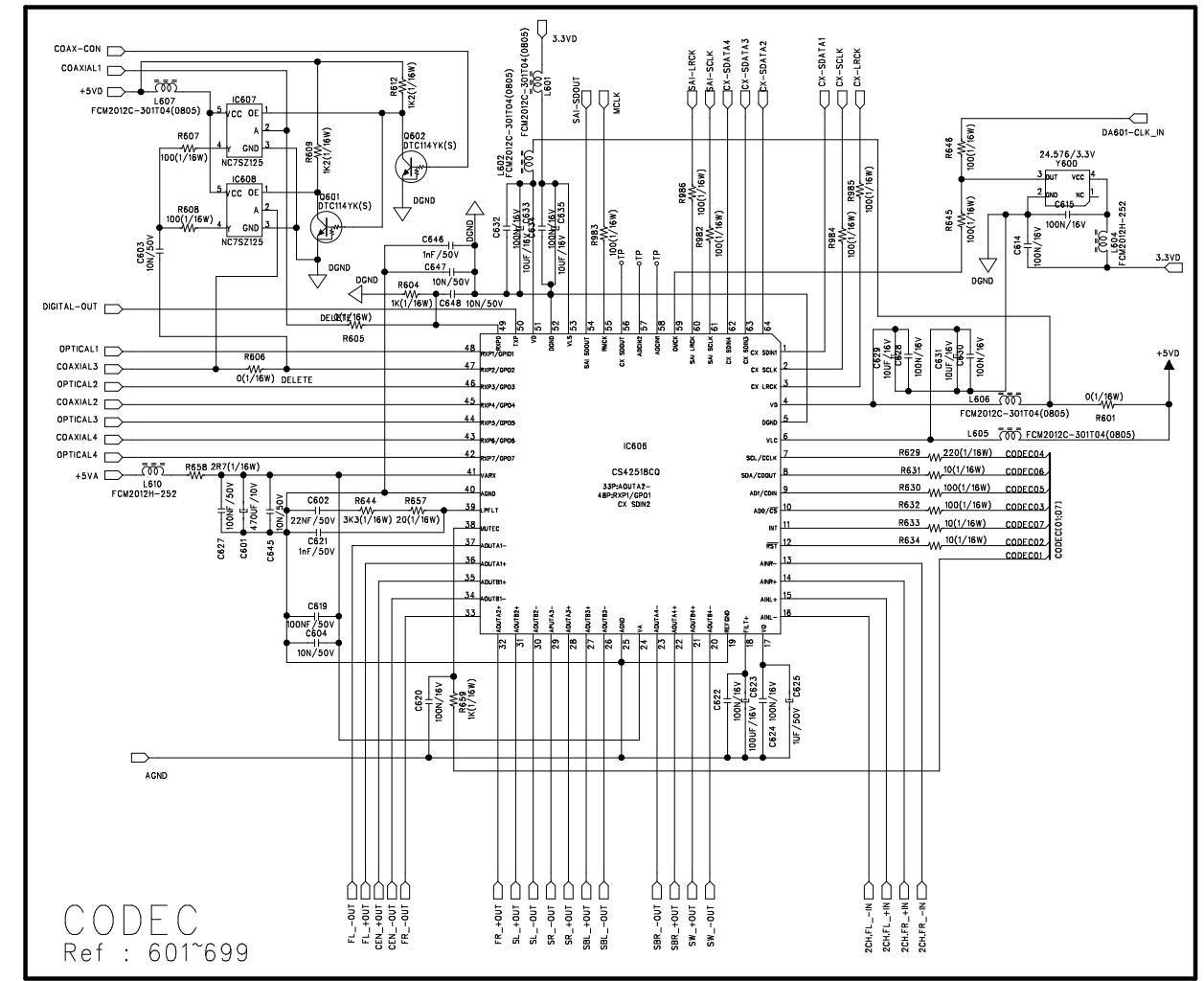
AVR 435 MAIN AMP SCHEMATIC DIAGRAM

REVISION RECORD		
NO.	Date	Contents



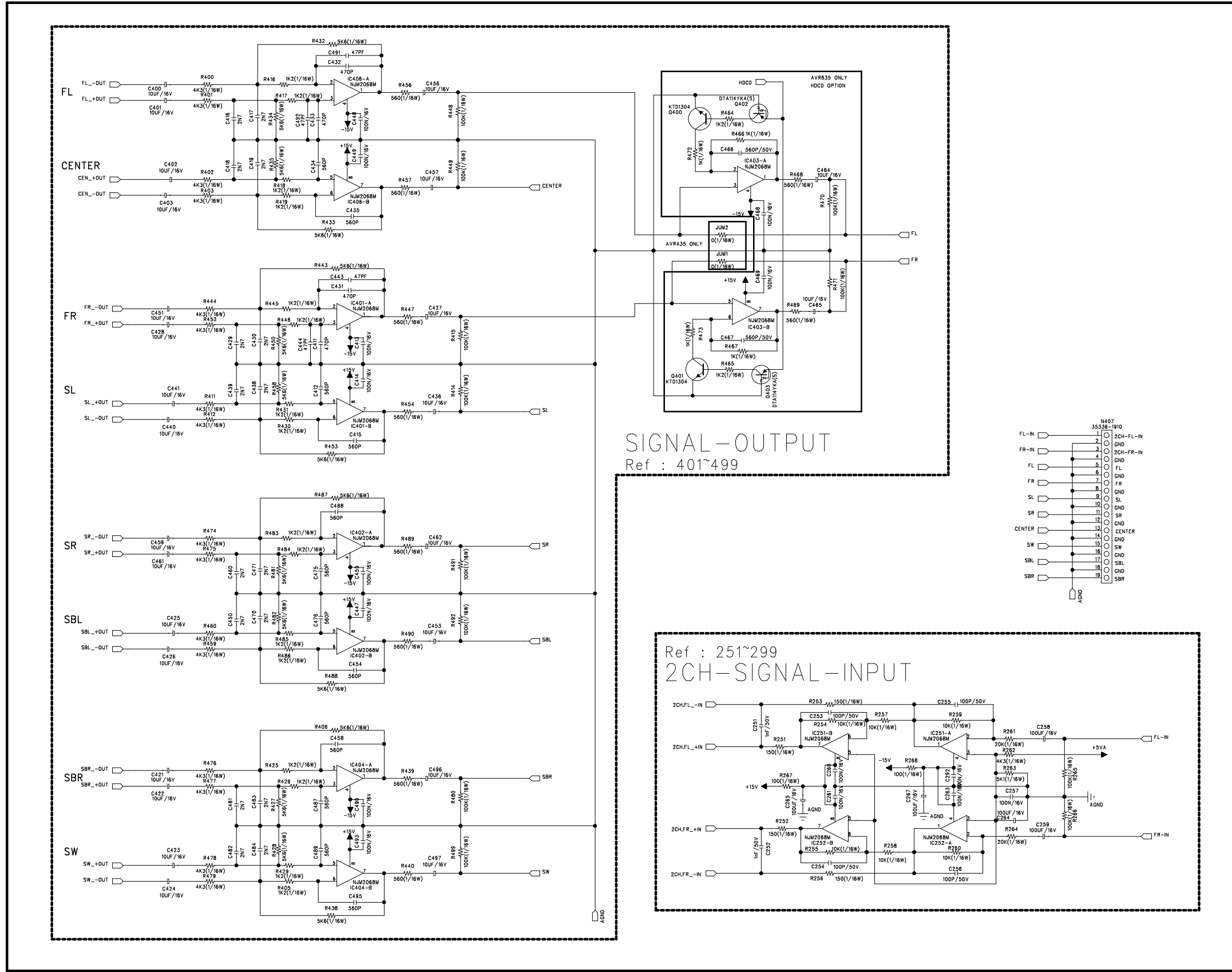
Category	AVR RECEIVER	Model	AVR435
Stage	Ver.	Sheet	B'D name
FTMS	V1.0		MAIN
Draw	Approved	Date	Drawing No

REVISION RECORD		
NO.	Date	Contents

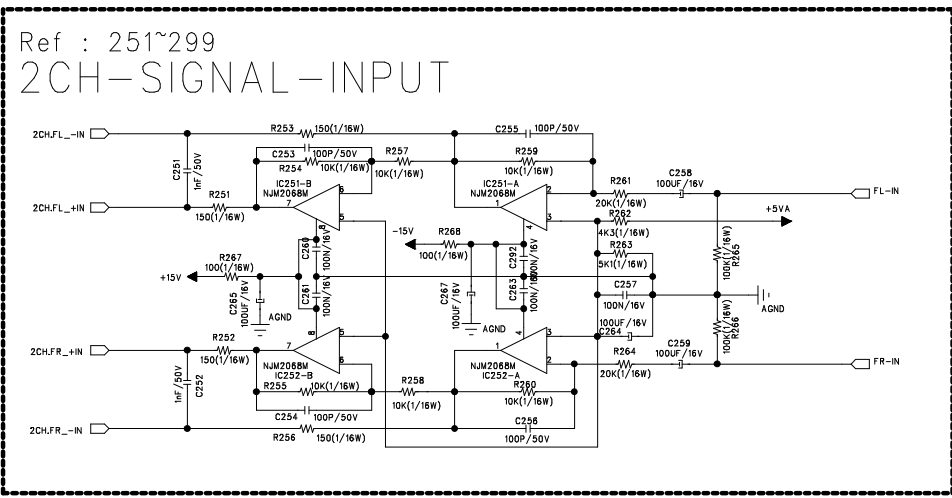
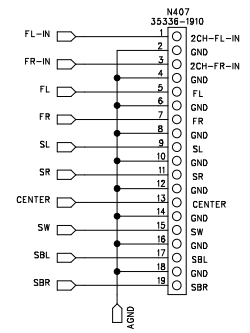


Category	AV RECEIVER	Model	AVR635/435
Stage	Ver.	Sheet	B'D name
MP	v2.101	/	PROCESSOR
Draw	Approved	Date	Drawing No
		2004/11/30	

REVISION RECORD		
NO.	Date	Contents



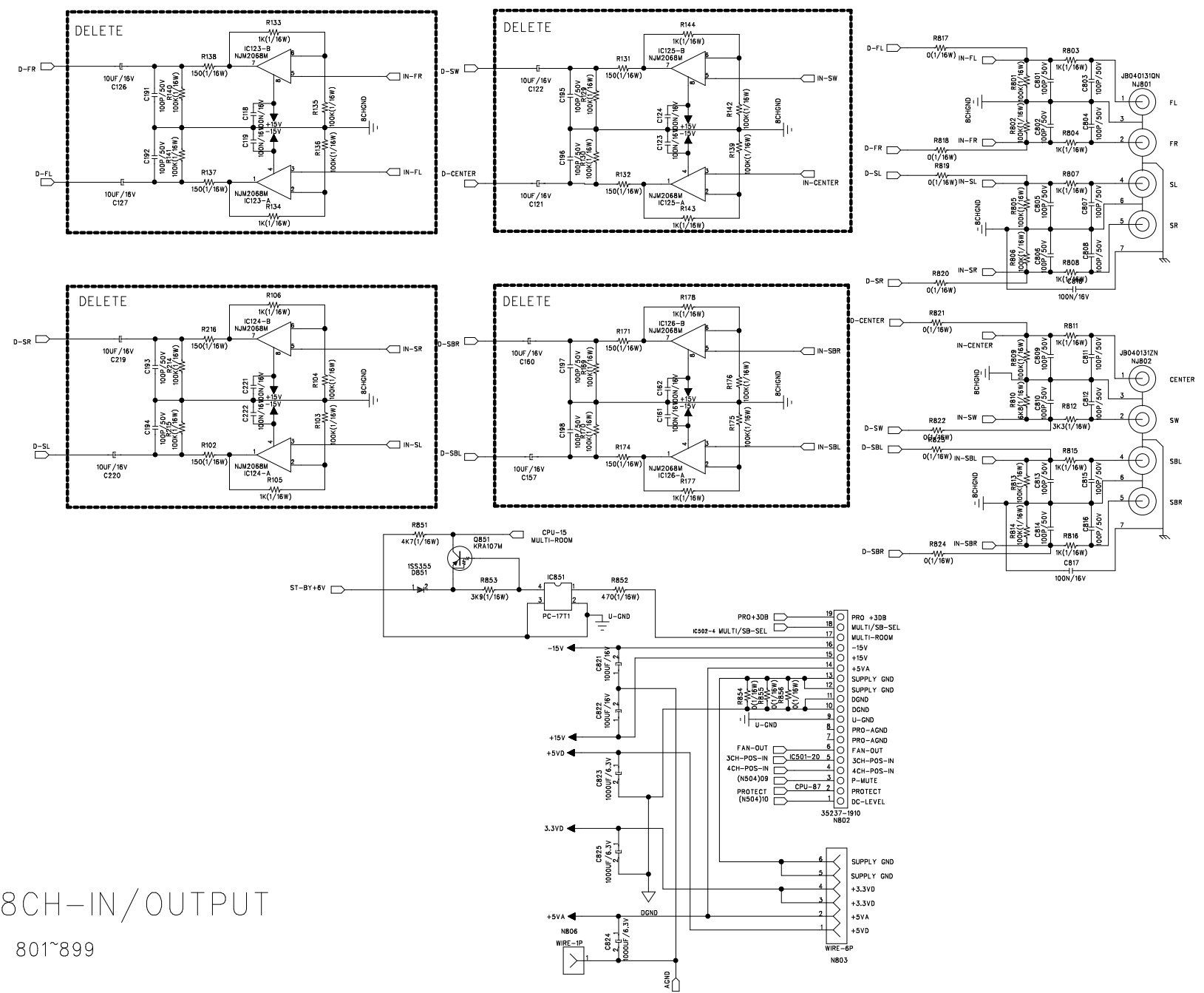
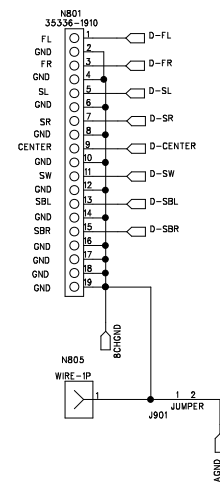
SIGNAL-OUTPUT
Ref : 401~499



Category	AV RECEIVER	Model	AVR635/435
Stage	Ver.	Sheet	B'D name
MP	v2.101	/	PROCESSOR
Draw	Approved	Date	Drawing No
		2004/11/30	

REVISION RECORD		
NO.	Date	Contents

8ch-D



POWER/GND/8CH-IN/OUTPUT
 Ref : 101~251 Ref : 801~899

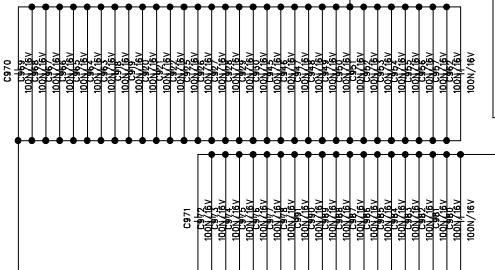
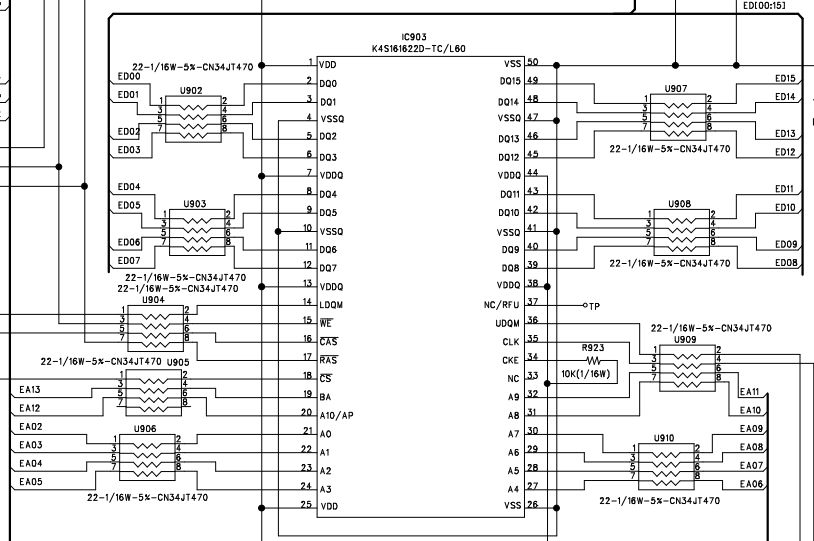
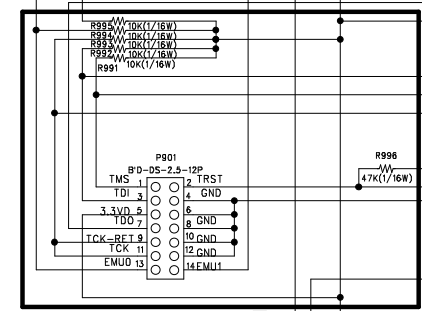
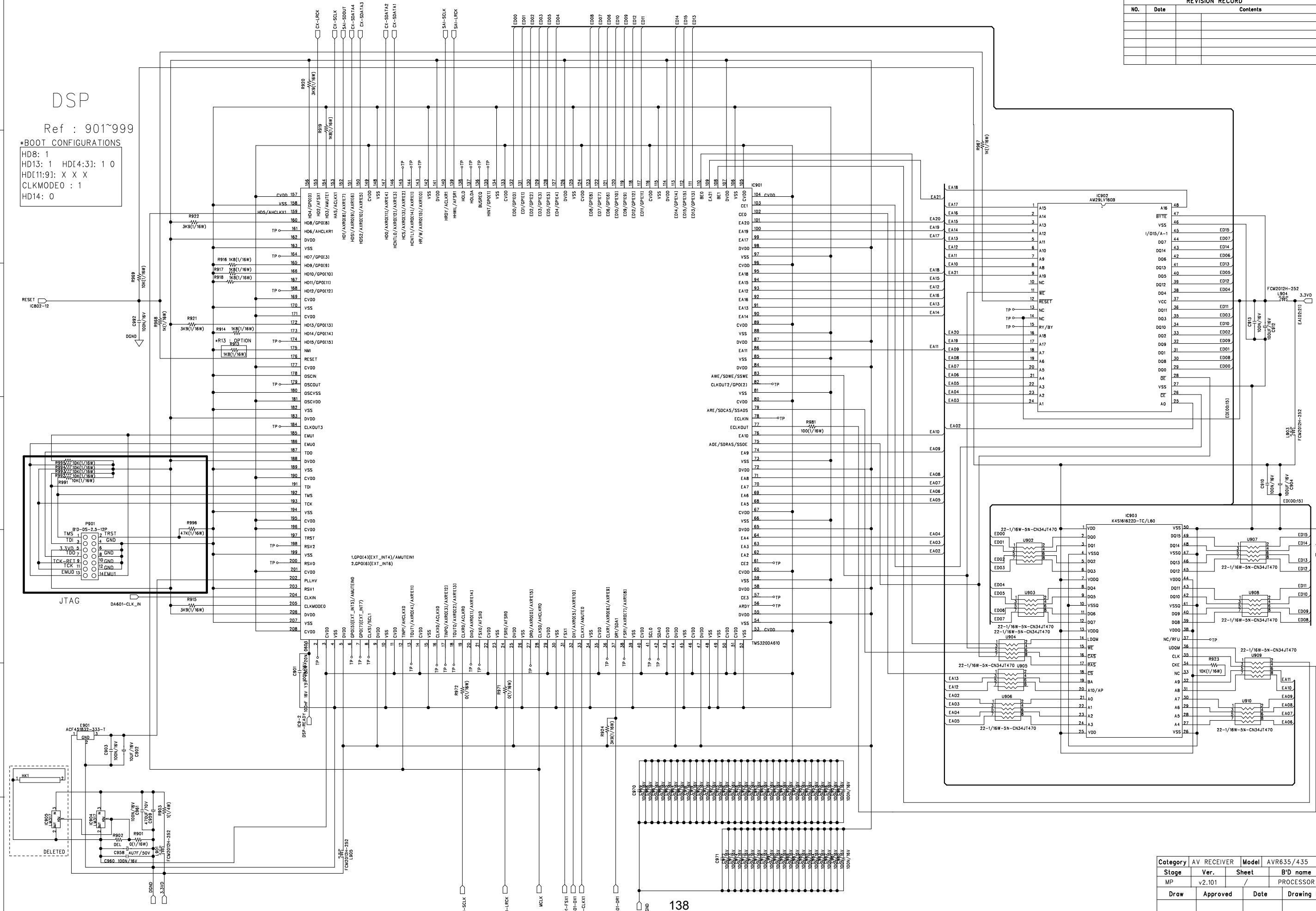
Category	AV RECEIVER	Model	AVR635/435
Stage	Ver.	Sheet	B'D name
MP	v2.101	/	PROCESSOR
Draw	Approved	Date	Drawing No
		2004/11/30	

REVISION RECORD		
NO.	Date	Contents

DSP

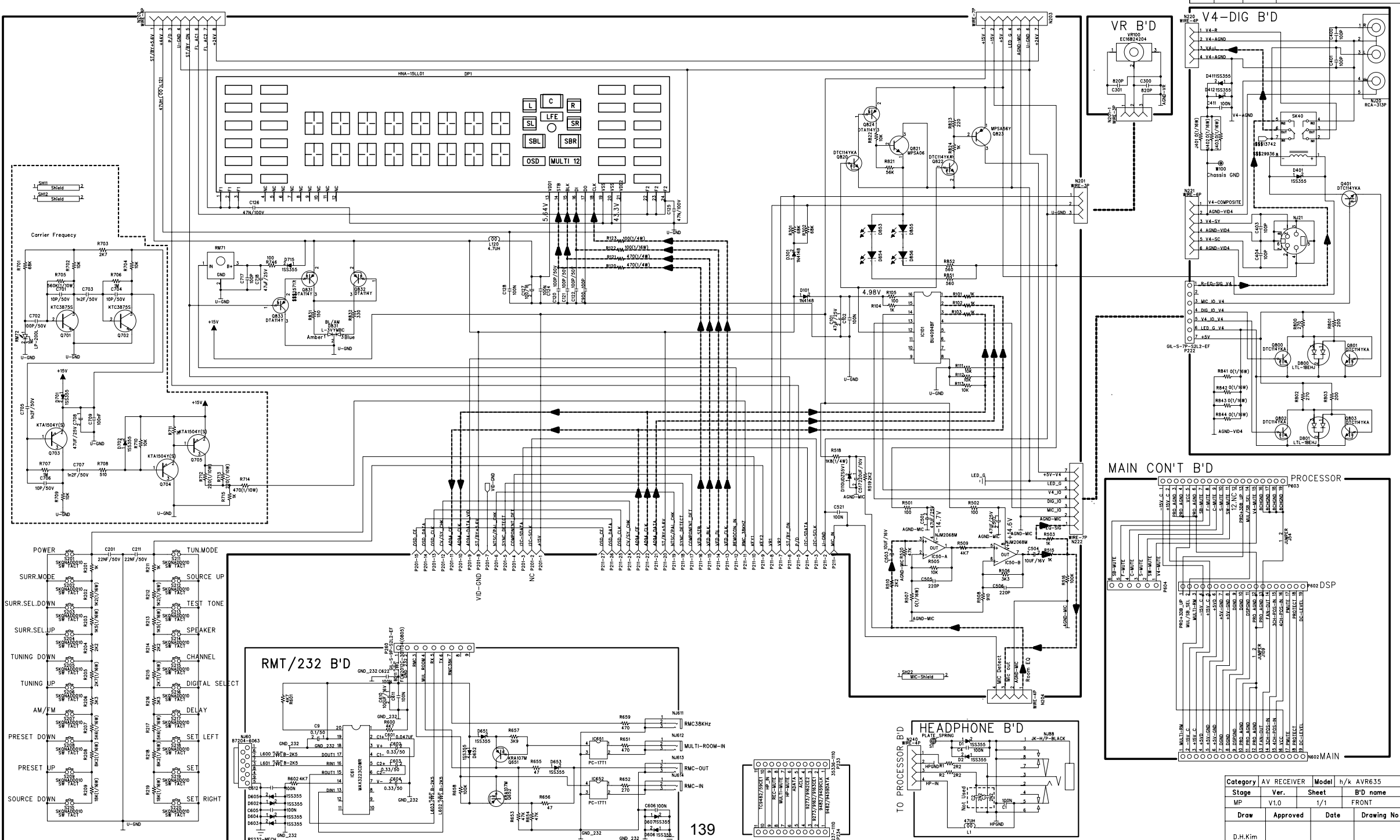
Ref : 901~999

***BOOT CONFIGURATIONS**
 HD8: 1
 HD13: 1 HD[4:3]: 1 0
 HD[11:9]: X X X
 CLKMODE0 : 1
 HD14: 0



Category	AV RECEIVER	Model	AVR635/435
Stage	MP	Sheet	/
Ver.	v2.101	B'D name	PROCESSOR
Draw	Approved	Date	Drawing No
		2004/11/30	

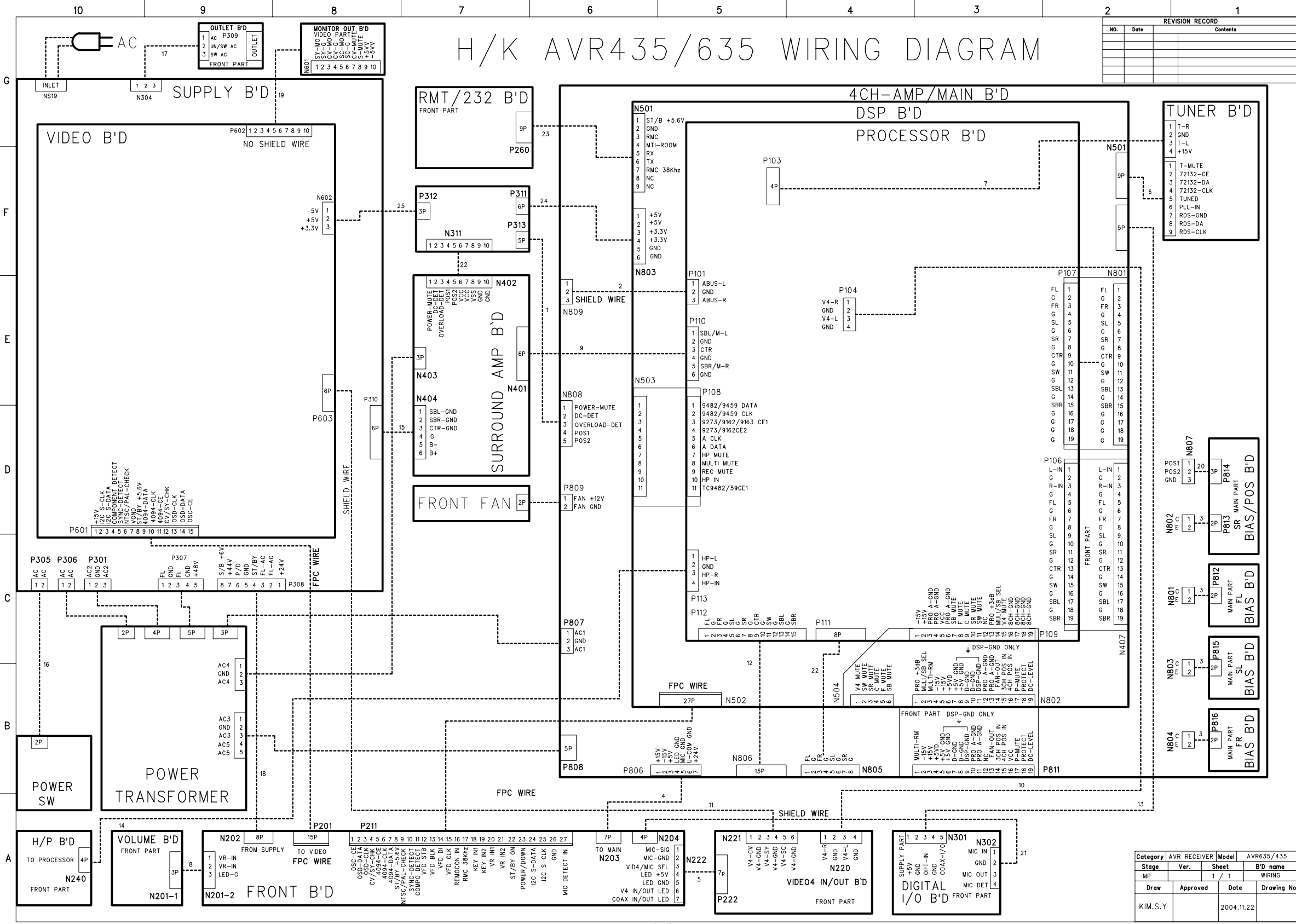
REVISION RECORD		
NO.	Date	Contents



Category	AV RECEIVER	Model	h/k AVR635
Stage	Ver.	Sheet	B'D name
MP	V1.0	1/1	FRONT
Draw	Approved	Date	Drawing No
D.H.Kim			

H/K AVR435/635 WIRING DIAGRAM

REVISION RECORD		
NO.	Date	Contents



Category	Ver.	Sheet	B'D name
AVR RECEIVER		1 / 1	AVR635/435 WIRING
MP			
Draw	Approved	Date	Drawing No
KIM.S.Y		2004.11.22	