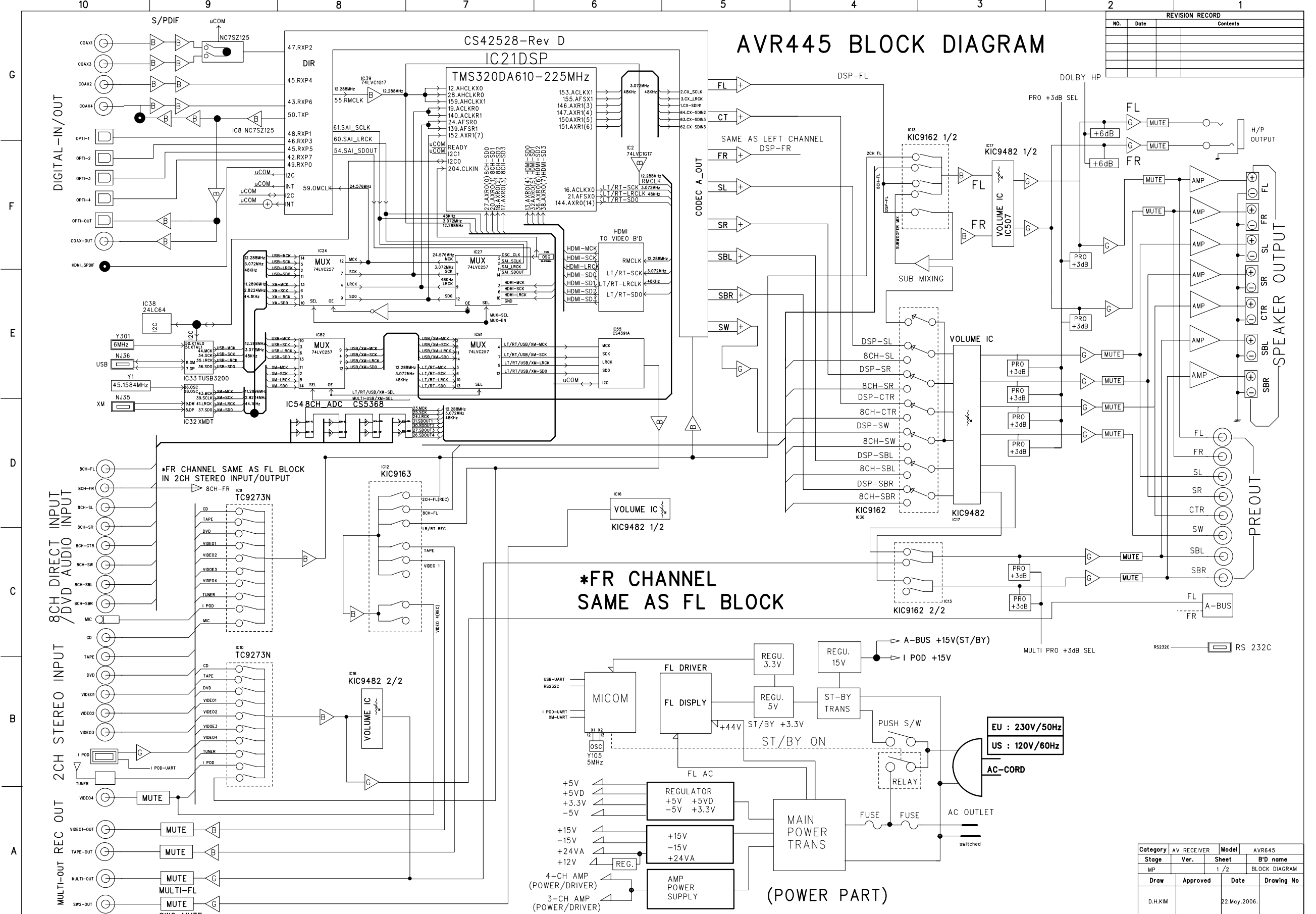


AVR445 BLOCK DIAGRAM

REVISION RECORD		
NO.	Date	Contents



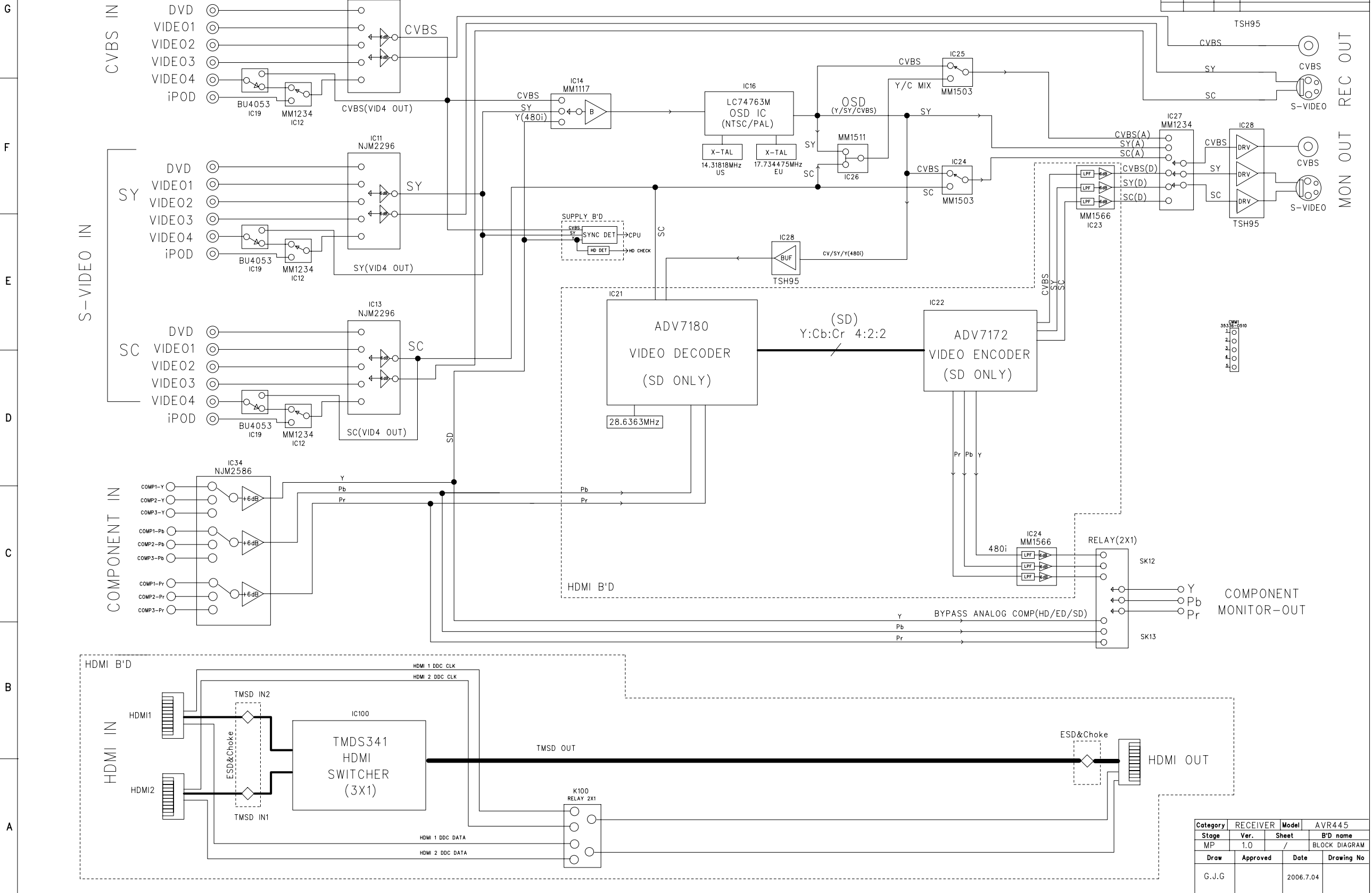
***FR CHANNEL SAME AS FL BLOCK**

(POWER PART)

Category	AV RECEIVER	Model	AVR645
Stage	MP	Sheet	1 / 2
Draw	Approved	Date	22.May.2006.
Block Diagram		Drawing No	
D.H.KIM		DANECH	

AVR445 VIDEO BLOCK DIAGRAM

REVISION RECORD		
NO.	Date	Contents

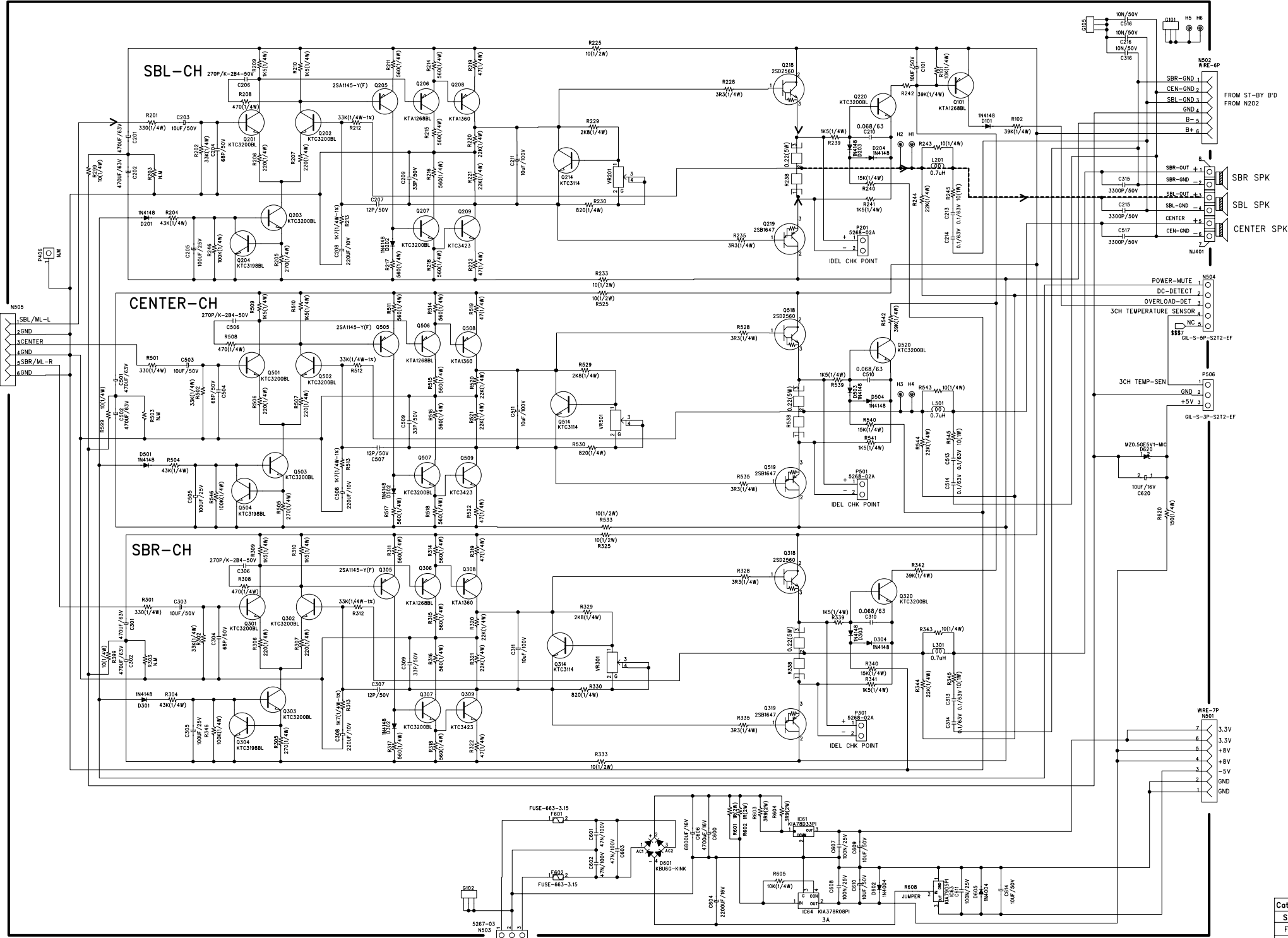


Category	RECEIVER	Model	AVR445
Stage	Ver.	Sheet	B'D name
MP	1.0	/	BLOCK DIAGRAM
Draw	Approved	Date	Drawing No
G.J.G		2006.7.04	

REVISION RECORD		
NO.	Date	Contents

SCHEMATIC DIAGRAM AVR445-US CENTER SB AMP B'D

harman kardon

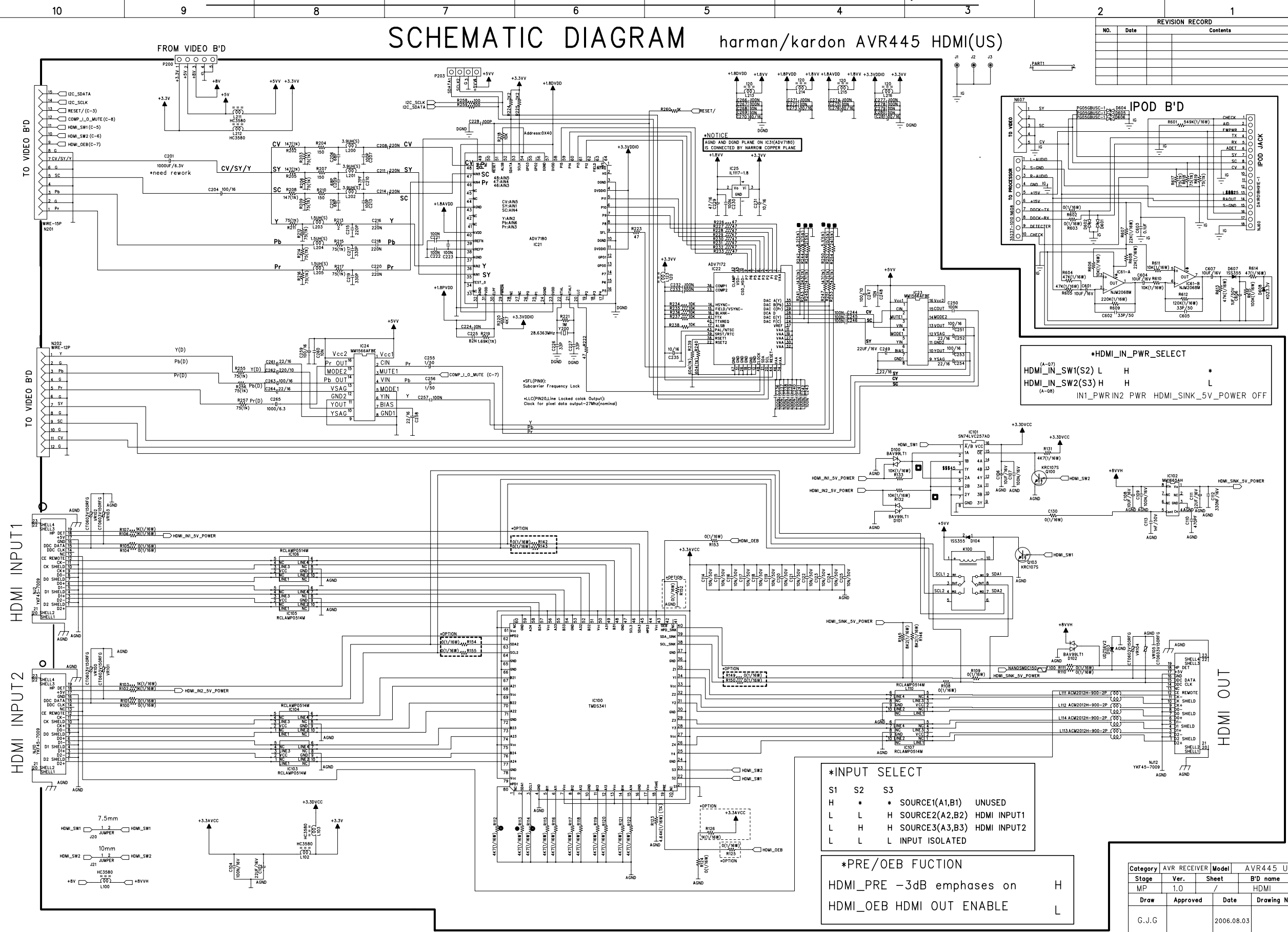


Category	AV RECEIVER	Model	AVR445-US
Stage	Ver.	Sheet	B'D name
FTMS		1 / 1	SURROUND
Draw	Approved	Date	Drawing No
KIM.S.Y		23.May.2006	

SCHEMATIC DIAGRAM harman/kardon AVR445 HDMI(US)

REVISION RECORD		
NO.	Date	Contents

G
F
E
D
C
B
A



***HDMI_IN_PWR_SELECT**
 HDMI_IN_SW1(S2) L H *
 HDMI_IN_SW2(S3) H H L
 (A-07) (A-08)
 IN1_PWR IN2_PWR HDMI_SINK_5V_POWER OFF

***INPUT SELECT**

S1	S2	S3	
H	*	*	SOURCE1(A1,B1) UNUSED
L	L	H	SOURCE2(A2,B2) HDMI INPUT1
L	H	H	SOURCE3(A3,B3) HDMI INPUT2
L	L	L	INPUT ISOLATED

***PRE/OEB FUCTION**

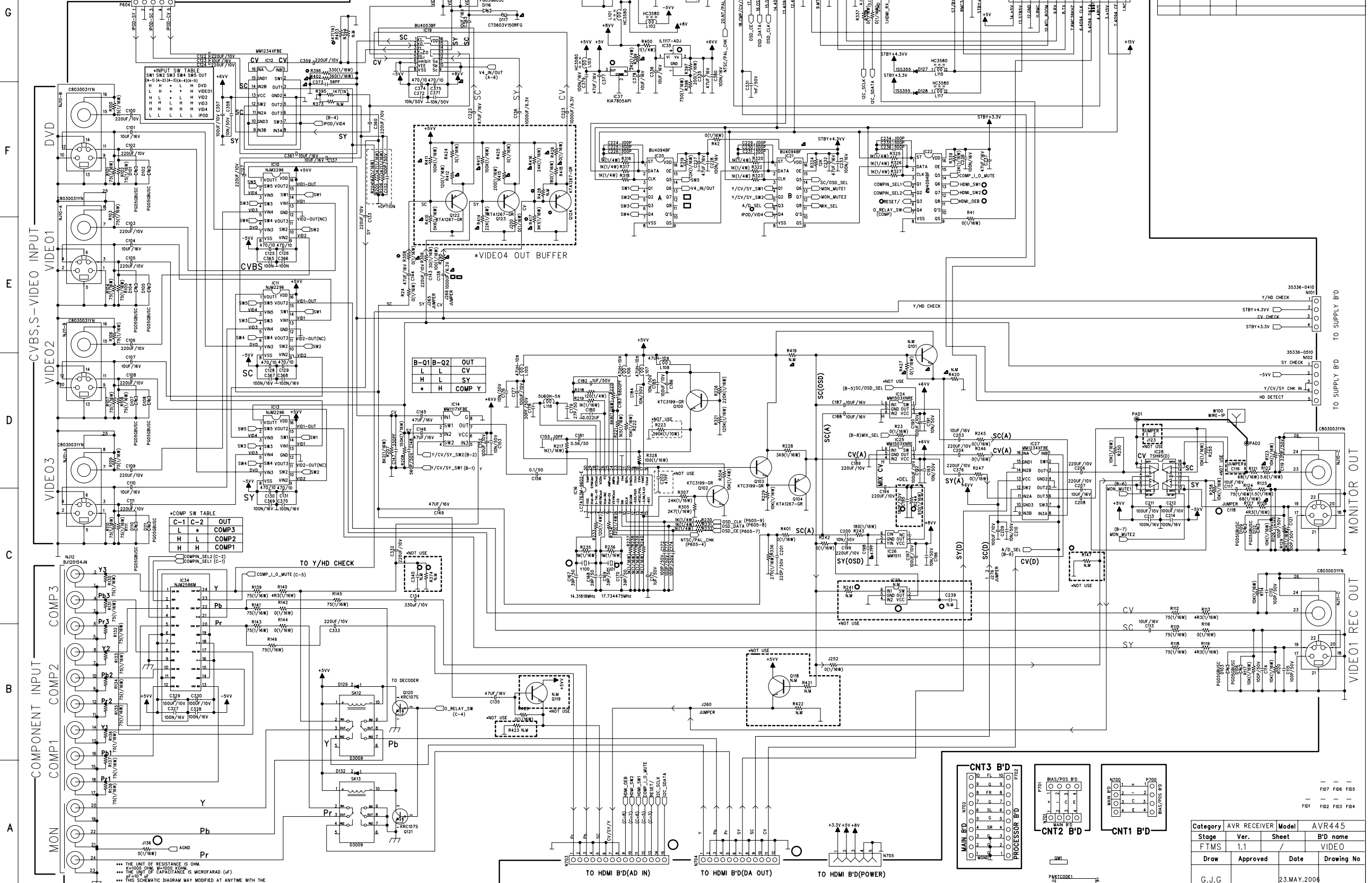
Signal	Function
HDMI_PRE	-3dB emphases on
HDMI_OEB	HDMI OUT ENABLE

Category	AVR RECEIVER	Model	AVR445 US
Stage	Ver.	Sheet	B'D name
MP	1.0	/	HDMI
Draw	Approved	Date	Drawing No
G.J.G		2006.08.03	

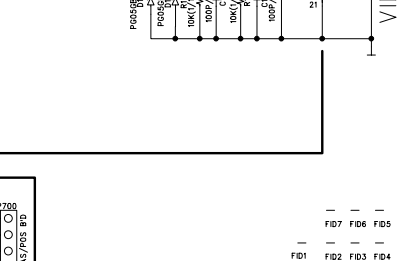
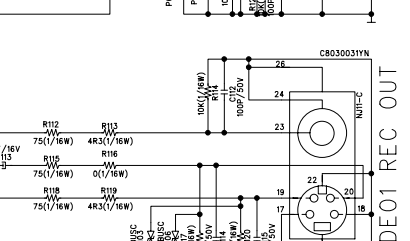
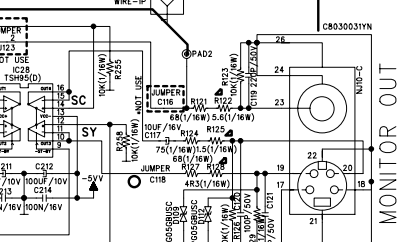
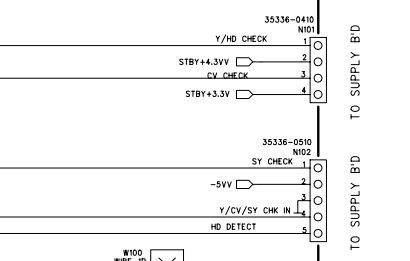
SCHEMATIC DIAGRAM

harman/kardon AVR445 VIDEO

REVISION RECORD		
No.	Date	Contents



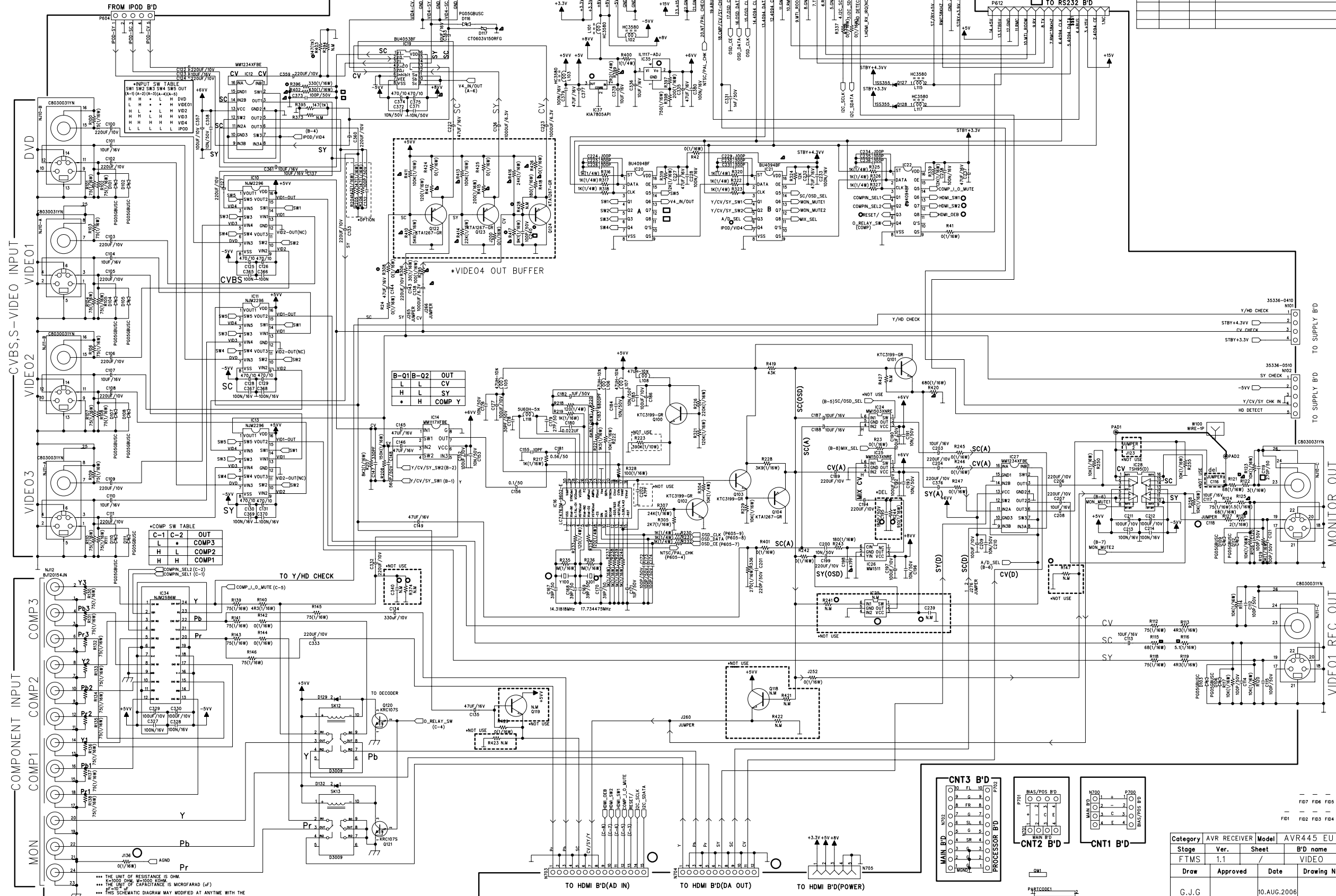
G
F
E
D
C
B
A



Category	AVR RECEIVER	Model	AVR445
Stage	Ver.	Sheet	B'D name
FTMS	1.1	/	VIDEO
Draw	Approved	Date	Drawing No
G.J.G		23.MAY.2006	

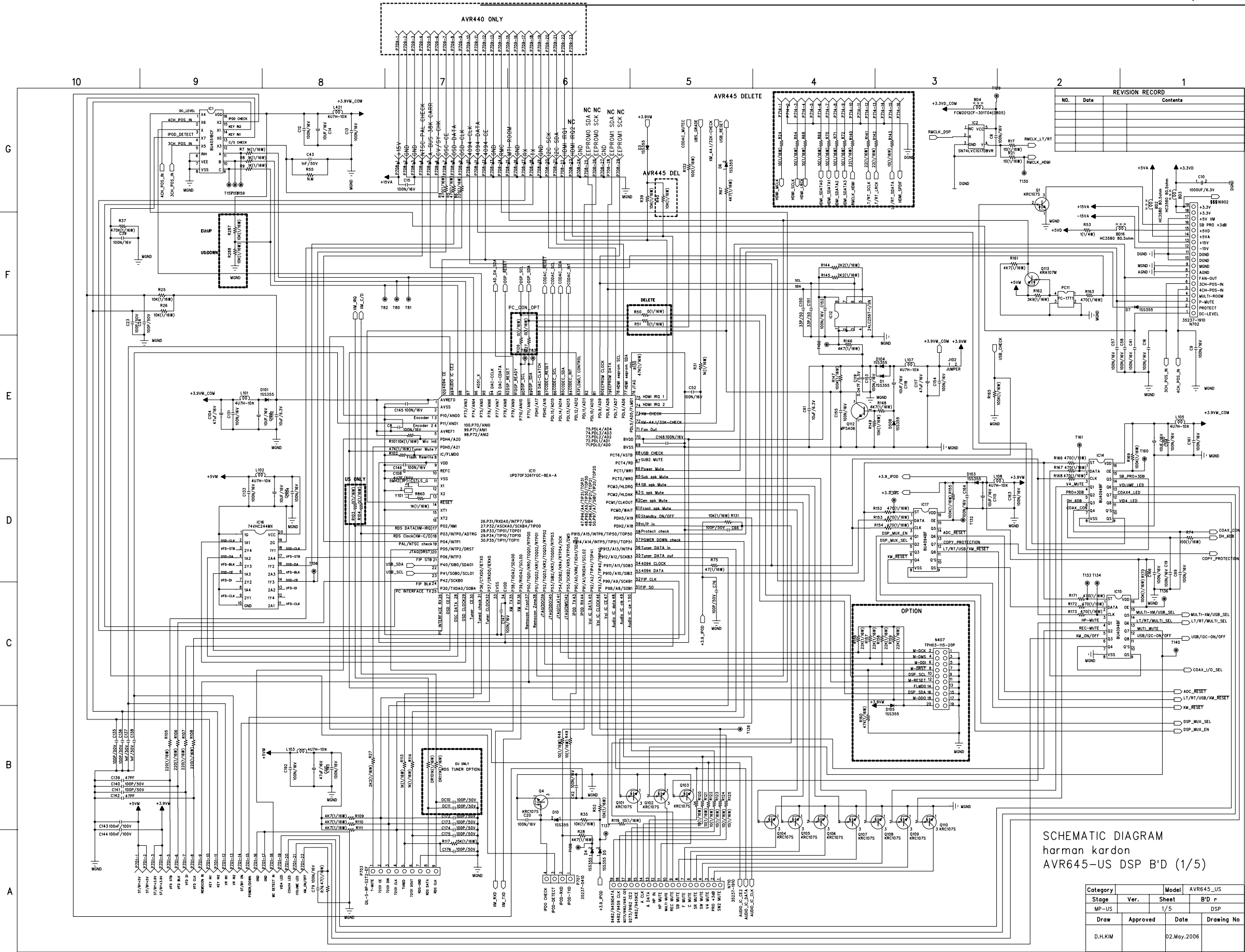
SCHEMATIC DIAGRAM

REVISION RECORD		
No.	Date	Contents



Category	AVR RECEIVER	Model	AVR445 EU
Stage	FTMS	Ver.	1.1
Draw	G.J.G	Approved	
Date	10.AUG.2006	Date	
Drawing No		Drawing No	

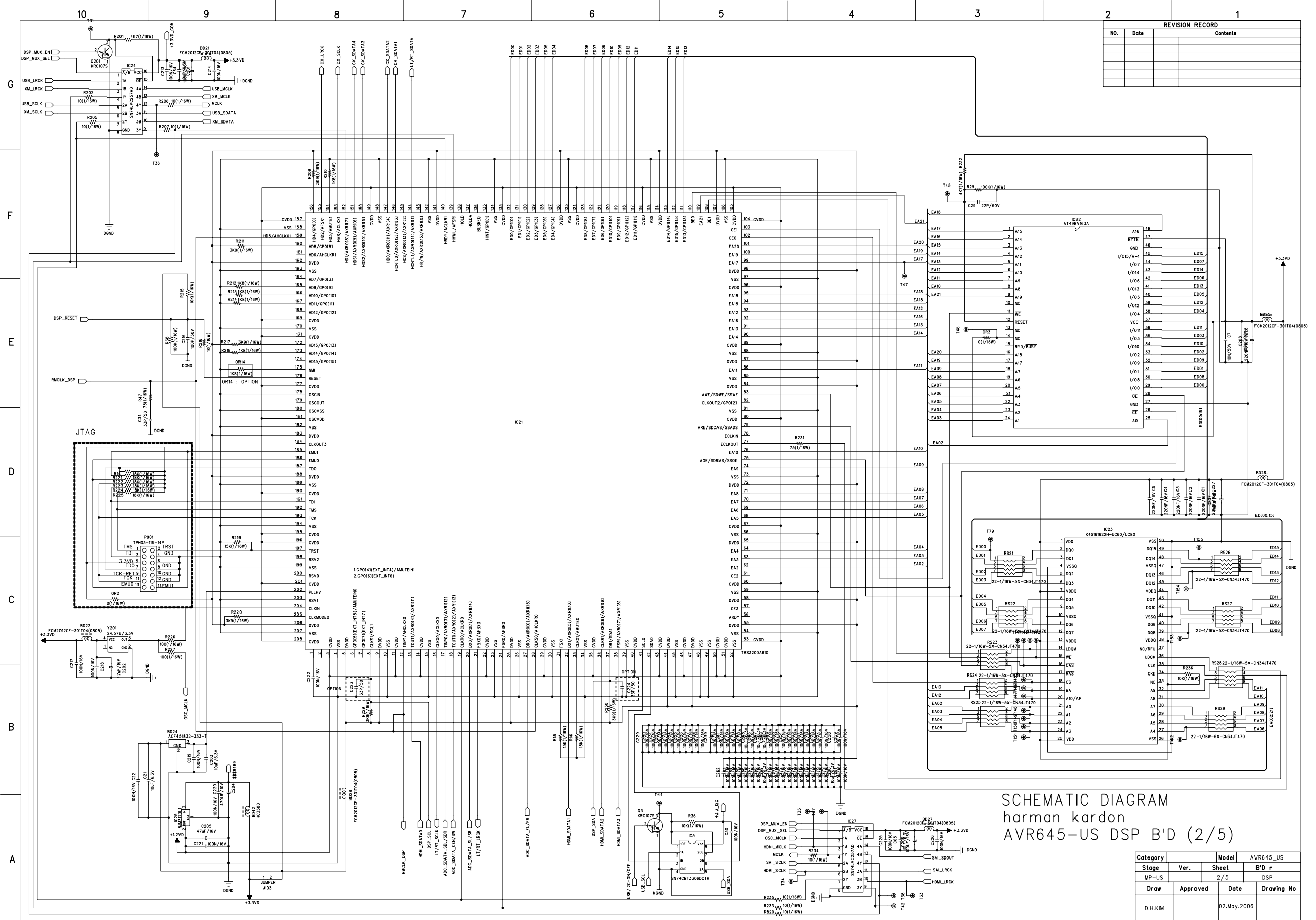
AVR445



SCHEMATIC DIAGRAM
 harman kardon
 AVR645-US DSP B'D (1/5)

Stage	Ver.	Sheet	Model
MP-US		1/5	AVR645_US
Draw	Approved	Date	DSP
D.H.KIM		02.May.2006	Drawing No

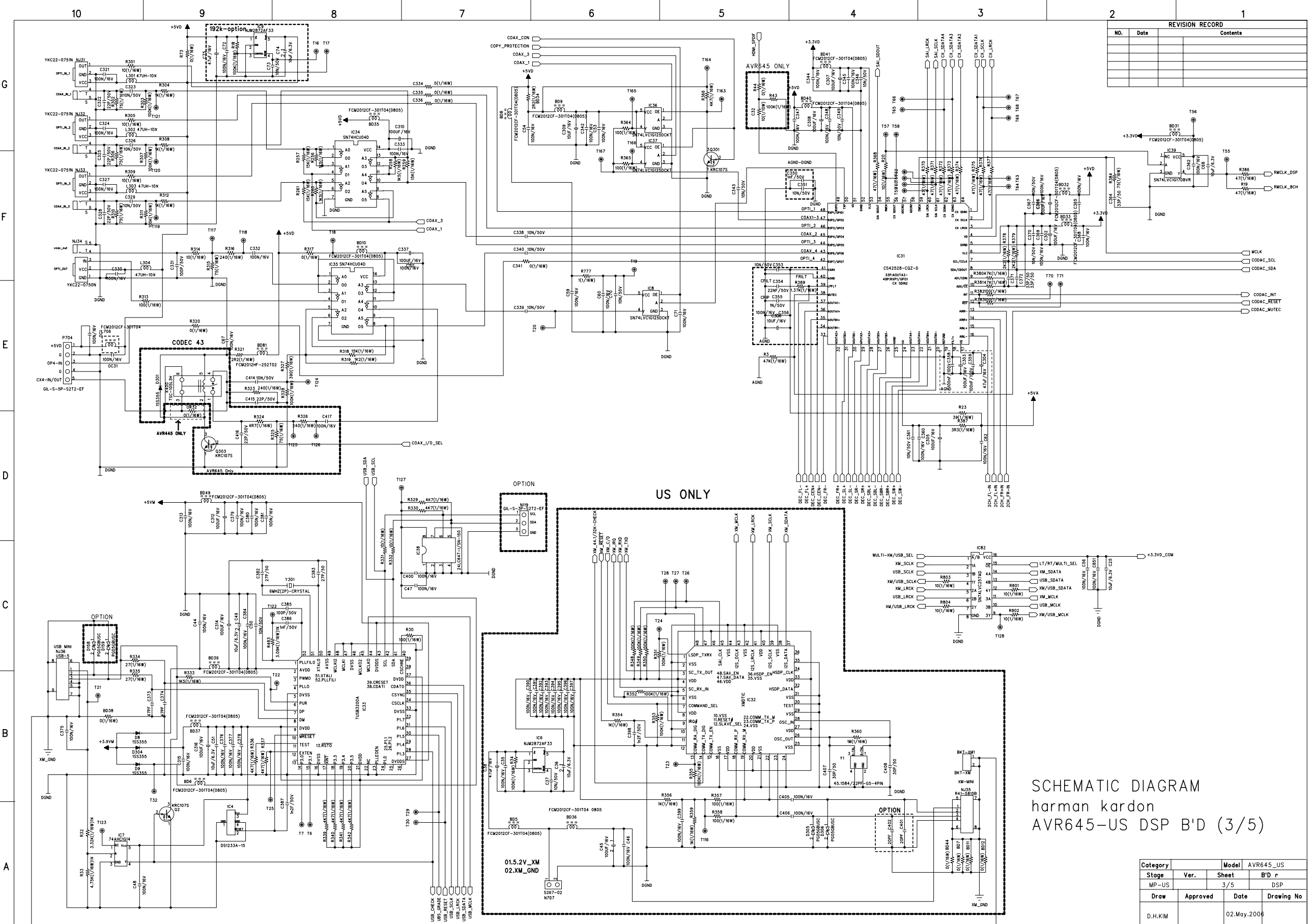
REVISION RECORD		
NO.	Date	Contents



SCHMATIC DIAGRAM
harman kardon
AVR645-US DSP B'D (2/5)

Category	Model	AVR645_US
Stage	Ver.	B'D r
MP-US	2/5	DSP
Draw	Approved	Date
D.H.KIM		02.May.2006

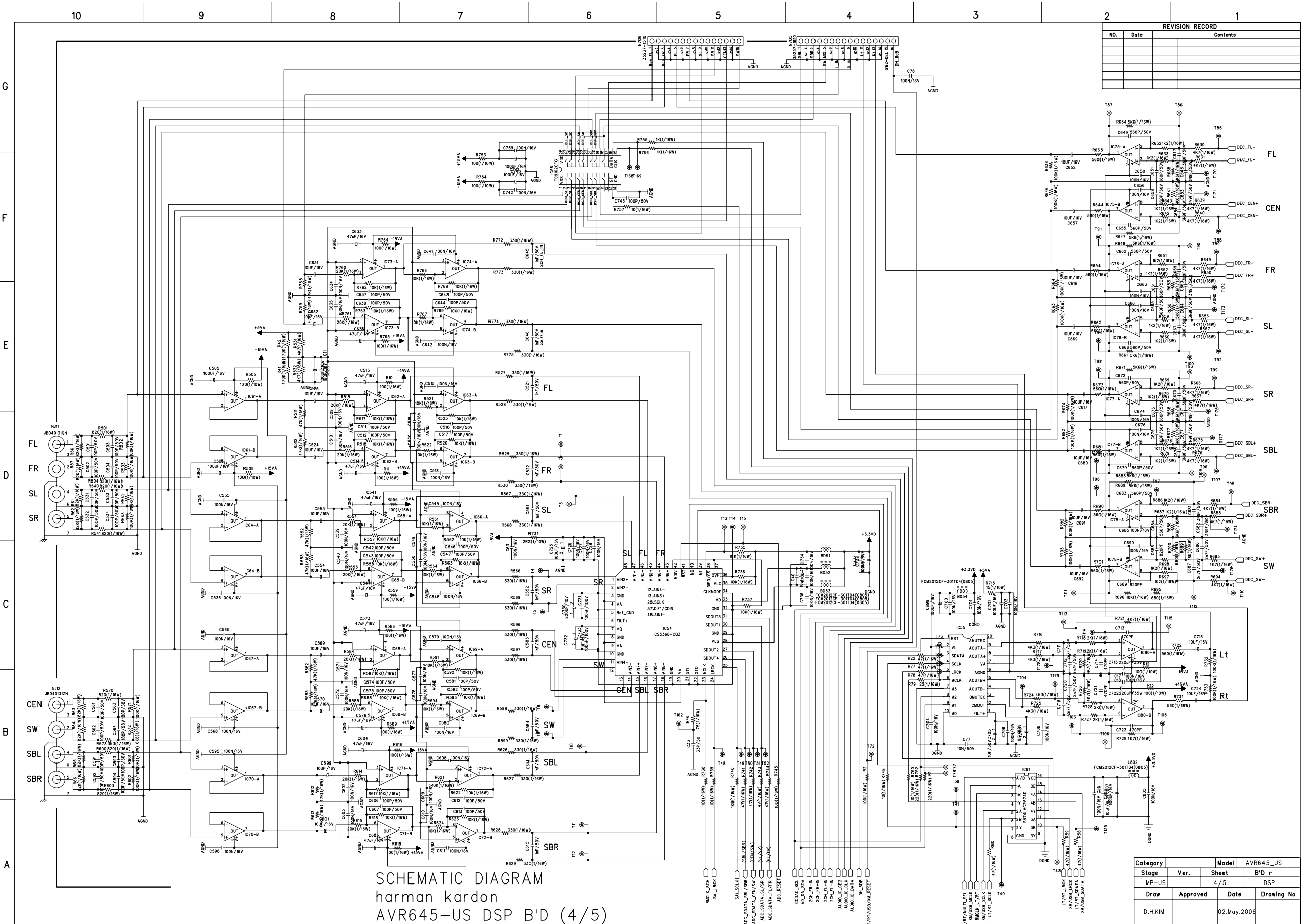
REVISION RECORD		
NO.	Date	Contents



SCHEMATIC DIAGRAM
 harman kardon
 AVR645-US DSP B'D (3/5)

Category	Model
Stage	MP-US
Ver.	3/5
Sheet	DSP
B'D r	
Draw	Approved
Date	02.May.2006
Drawing No	

REVISION RECORD		
NO.	Date	Contents



SCHEMATIC DIAGRAM
harman kardon
AVR645-US DSP B'D (4/5)

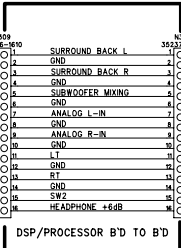
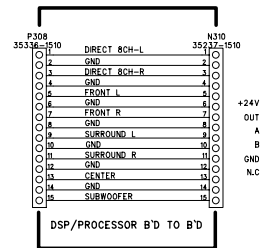
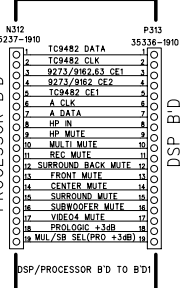
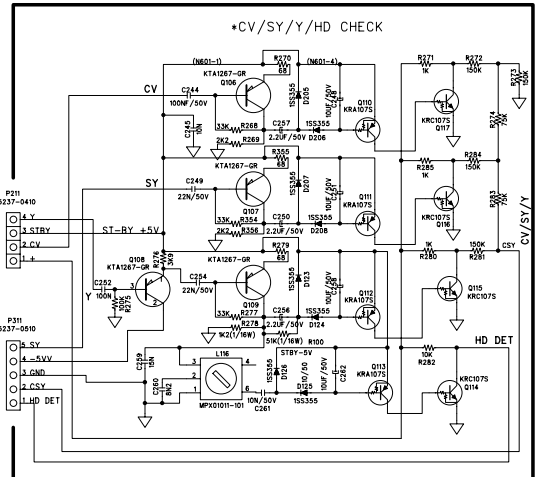
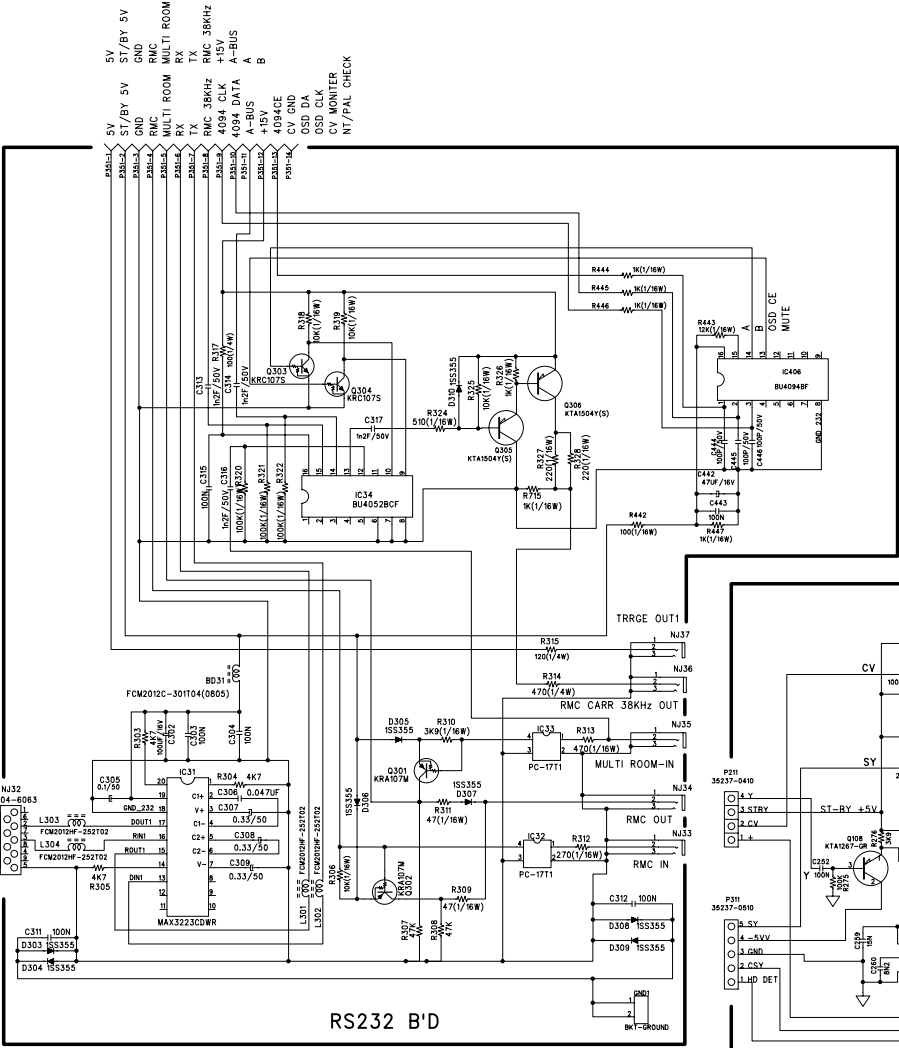
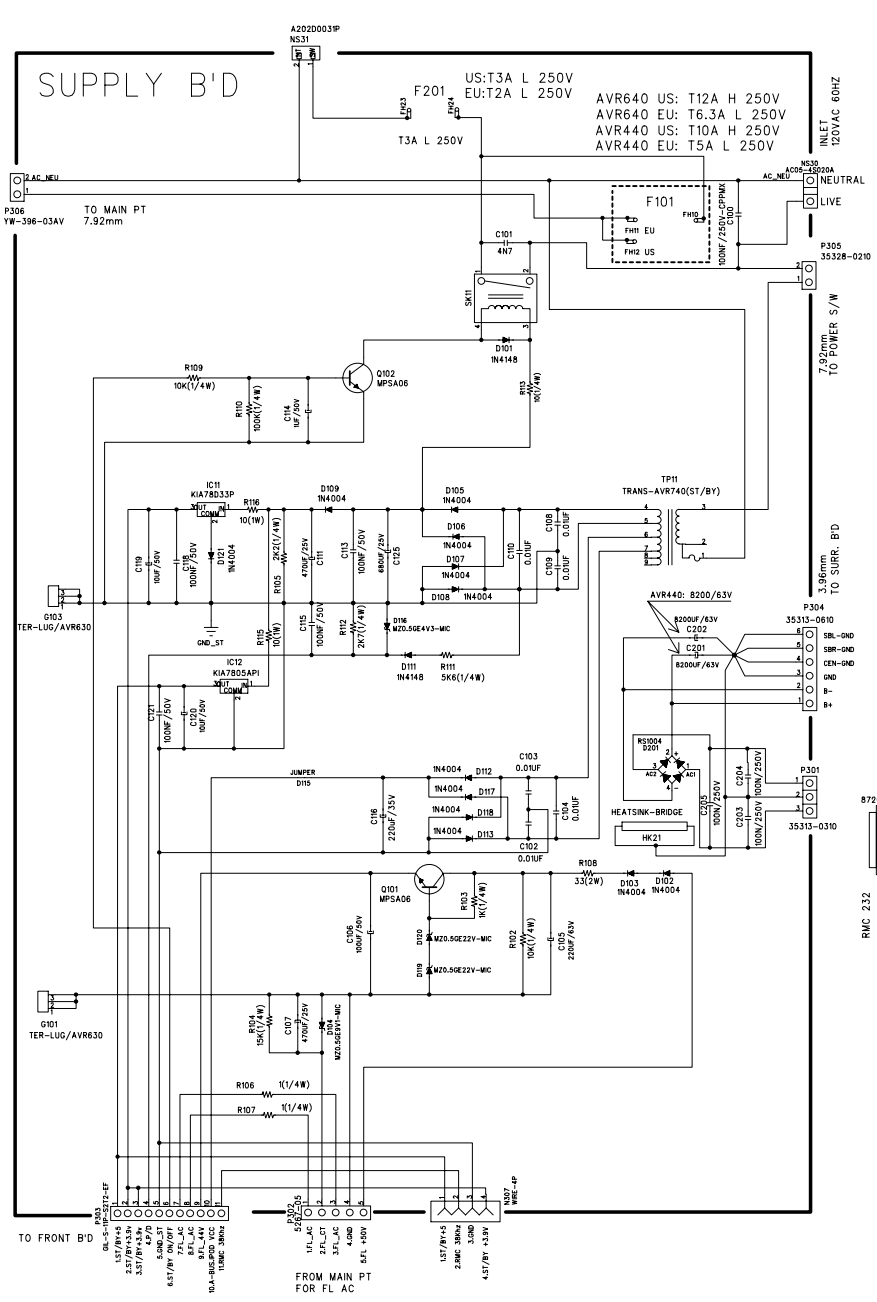
Category	Model	AVR645_US
Stage	Ver.	Sheet
MP-US		4/5
Draw	Approved	Date
D.H.KIM		02.May.2006
		DSP
		Draw No

SCHEMATIC DIAGRAM AVR445-US SUPPLY & RS232

harman kardon

REVISION RECORD		
NO.	Date	Contents

G
F
E
D
C
B
A

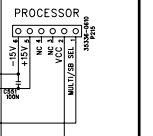
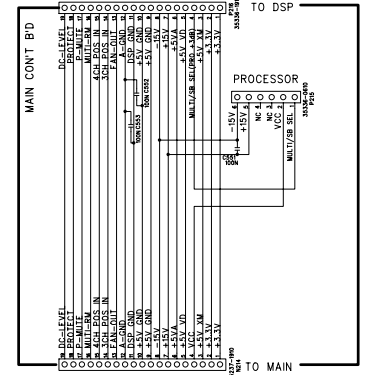
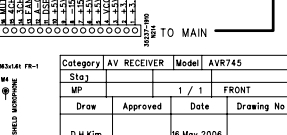
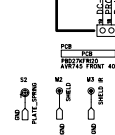
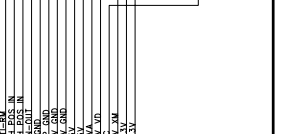
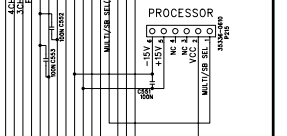
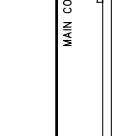
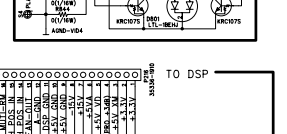
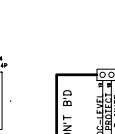
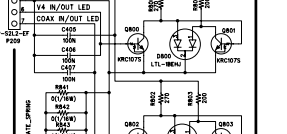
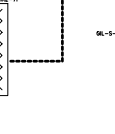
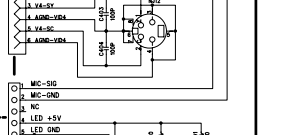
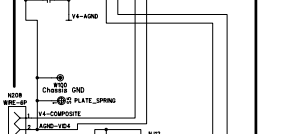
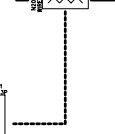
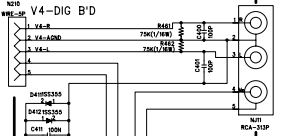
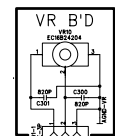
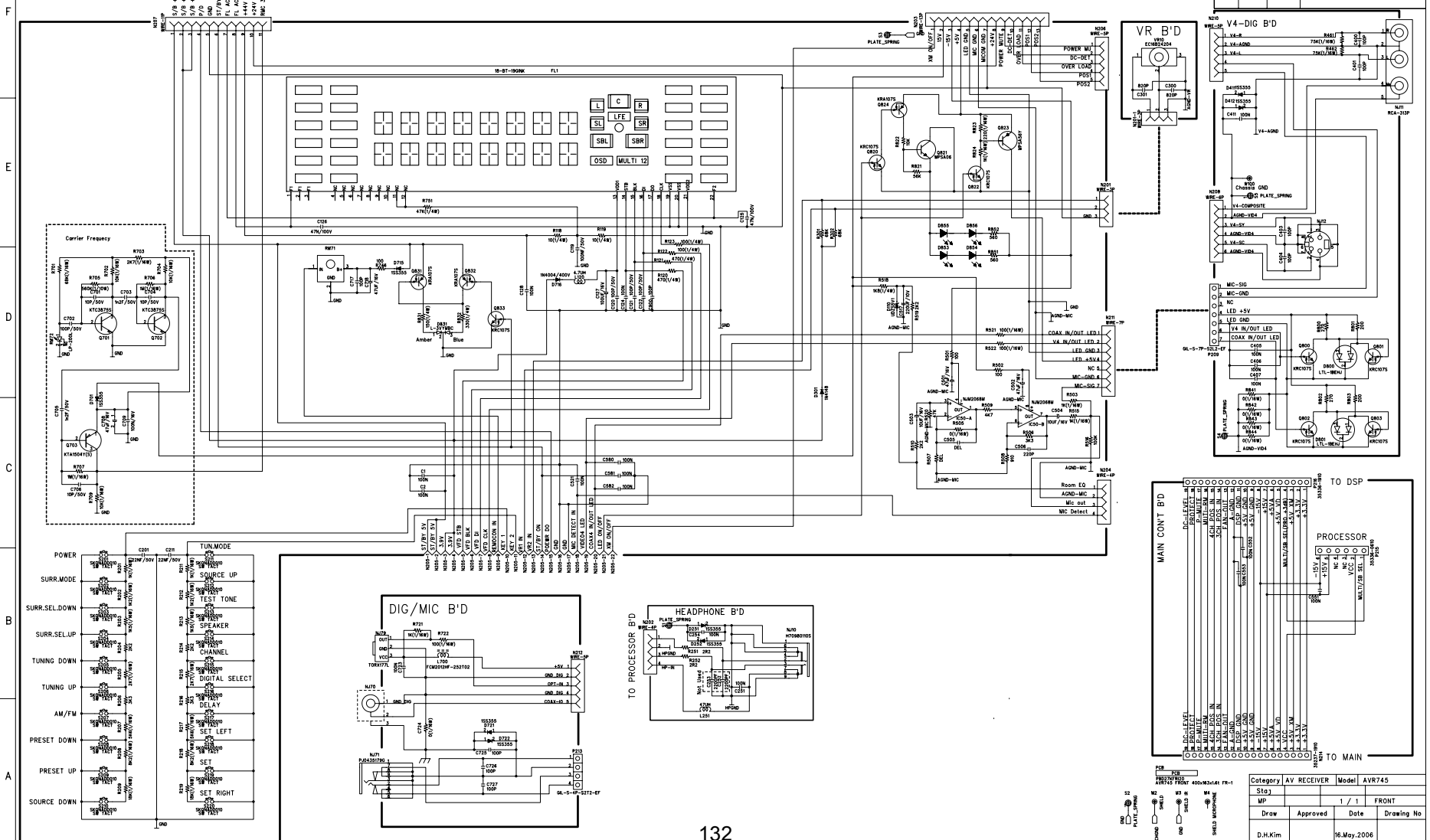


Category	A/V RECEIVER	Model	AVR645-US
Stage	Ver.	Sheet	B'D name
MP		1 / 1	SUPP/REGU
Draw	Approved	Date	Drawing No
S.Y. KIM		20.Apr.2007	

SCHEMATIC DIAGRAM

harman/kardon
AVR745 FRONT

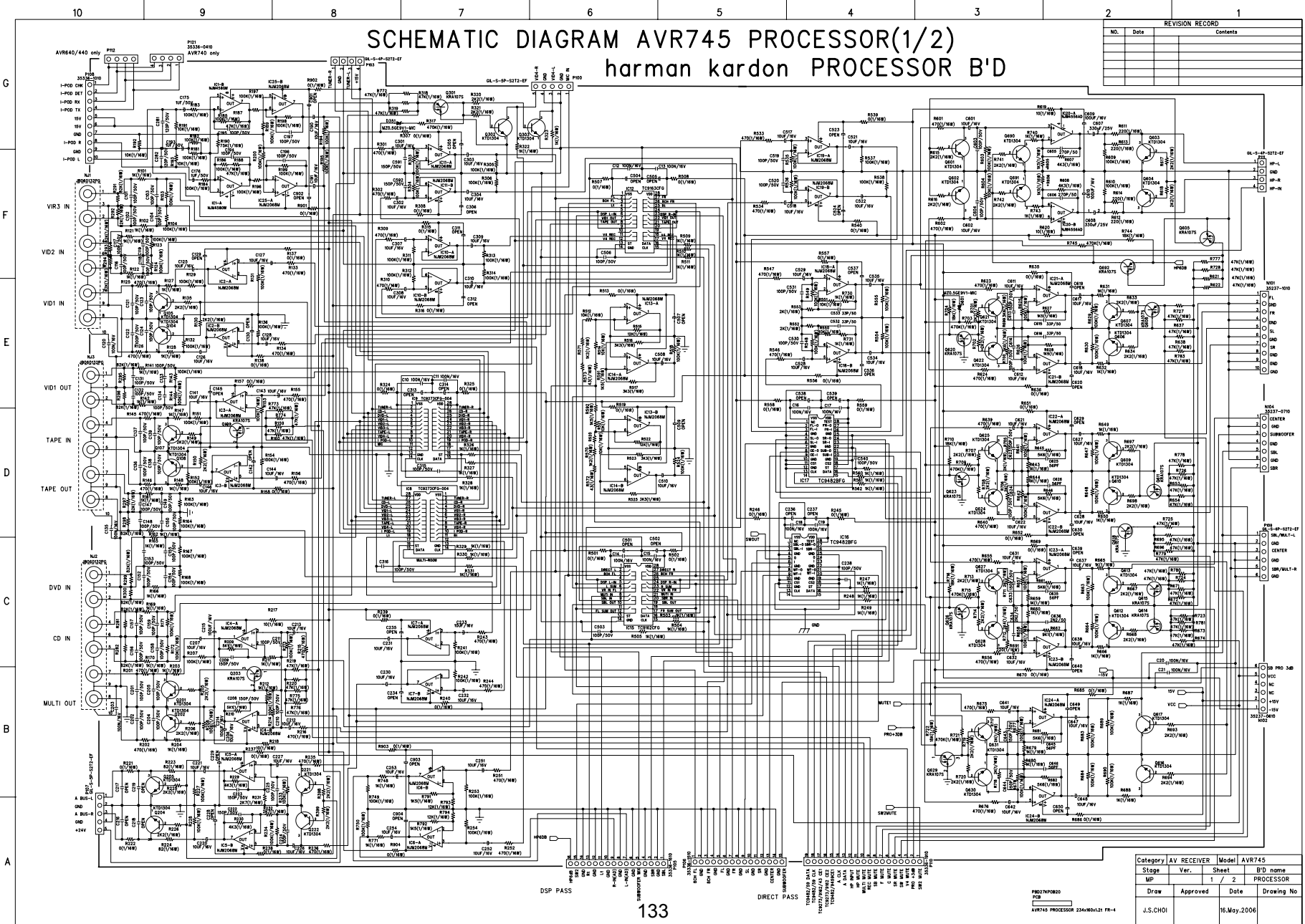
REVISION RECORD		
NO.	Date	Contents



Category	AV RECEIVER	Model	AVR745
MP	1 / 1	FRONT	
Draw	Approved	Date	Drawing No
D.H.Kim		16.May.2006	

SCHEMATIC DIAGRAM AVR745 PROCESSOR(1/2) harman kardon PROCESSOR B'D

REVISION RECORD		
NO.	Date	Contents



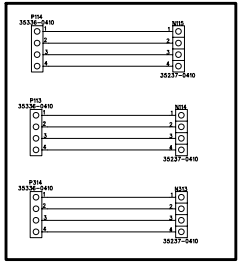
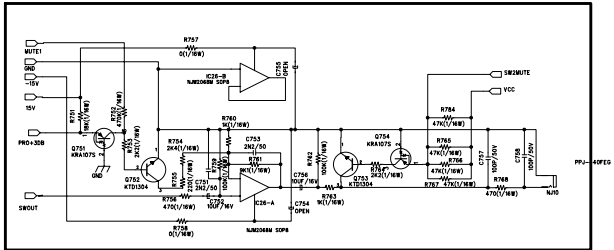
DSP PASS DIRECT PASS

Category AV RECEIVER Model AVR745			
Stage	Ver.	Sheet	B'D name
MP	1	2	PROCESSOR
Draw	Approved	Date	Drawing No
J.S.CHOI		18.May.2006	

10 9 8 7 6 5 4 3 2 1

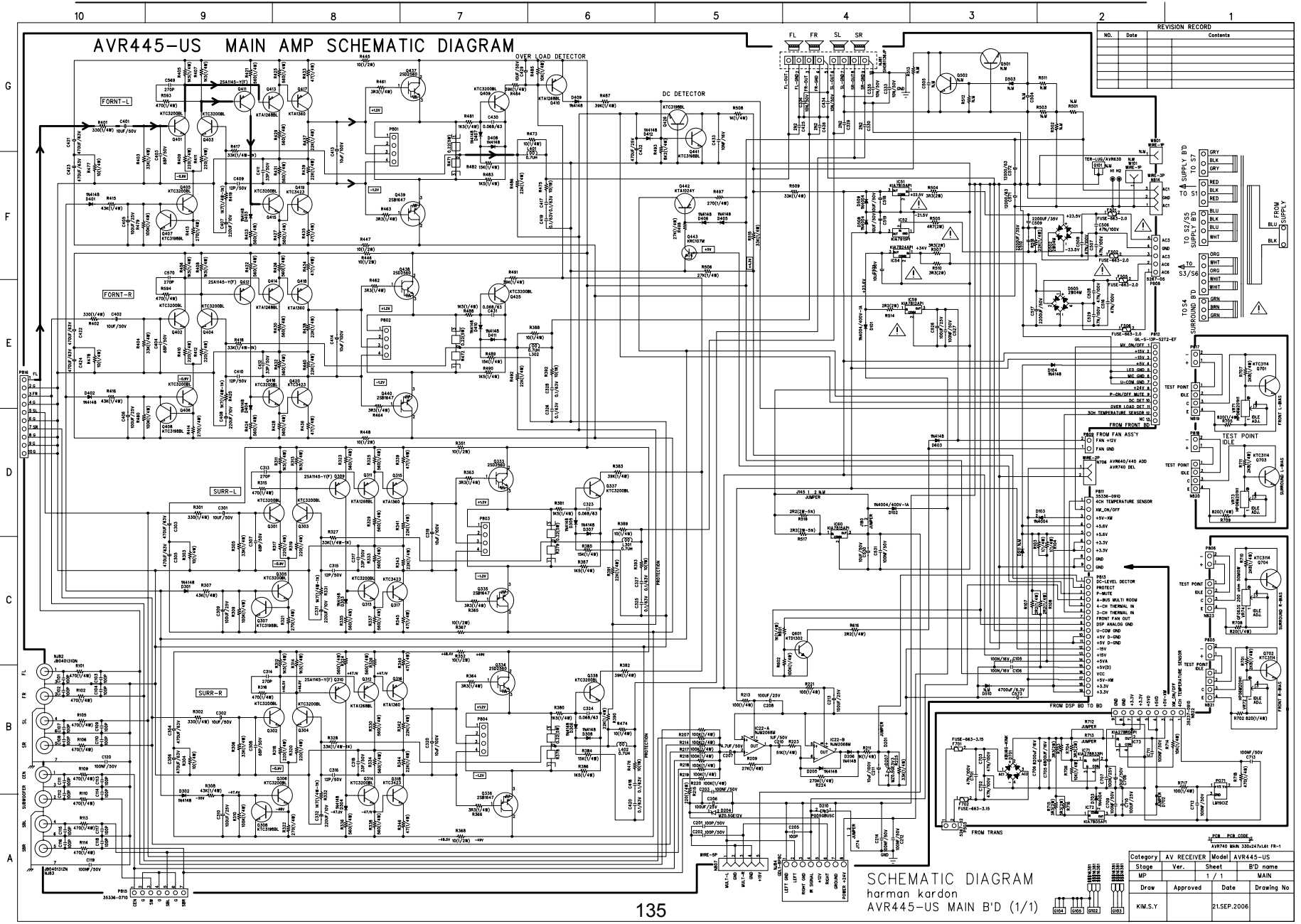
REVISION RECORD		
No.	Date	Contents

SCHEMATIC DIAGRAM AVR745 PROCESSOR (2/2)
harman kardon PROCESSOR B'D

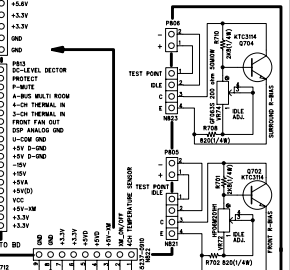
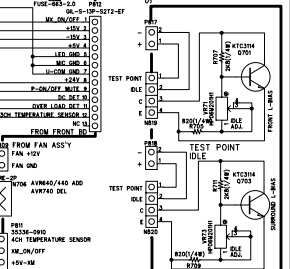
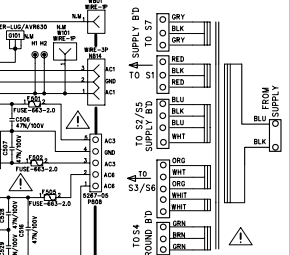


Category	AV RECEIVER	Model	AVR745
Stage	Ver.	Sheet	B'D name
MP		2 / 2	PROCESSOR
Draw	Approved	Date	Drawing No
J.S.CHOI		16.May.2006	

AVR445-US MAIN AMP SCHEMATIC DIAGRAM

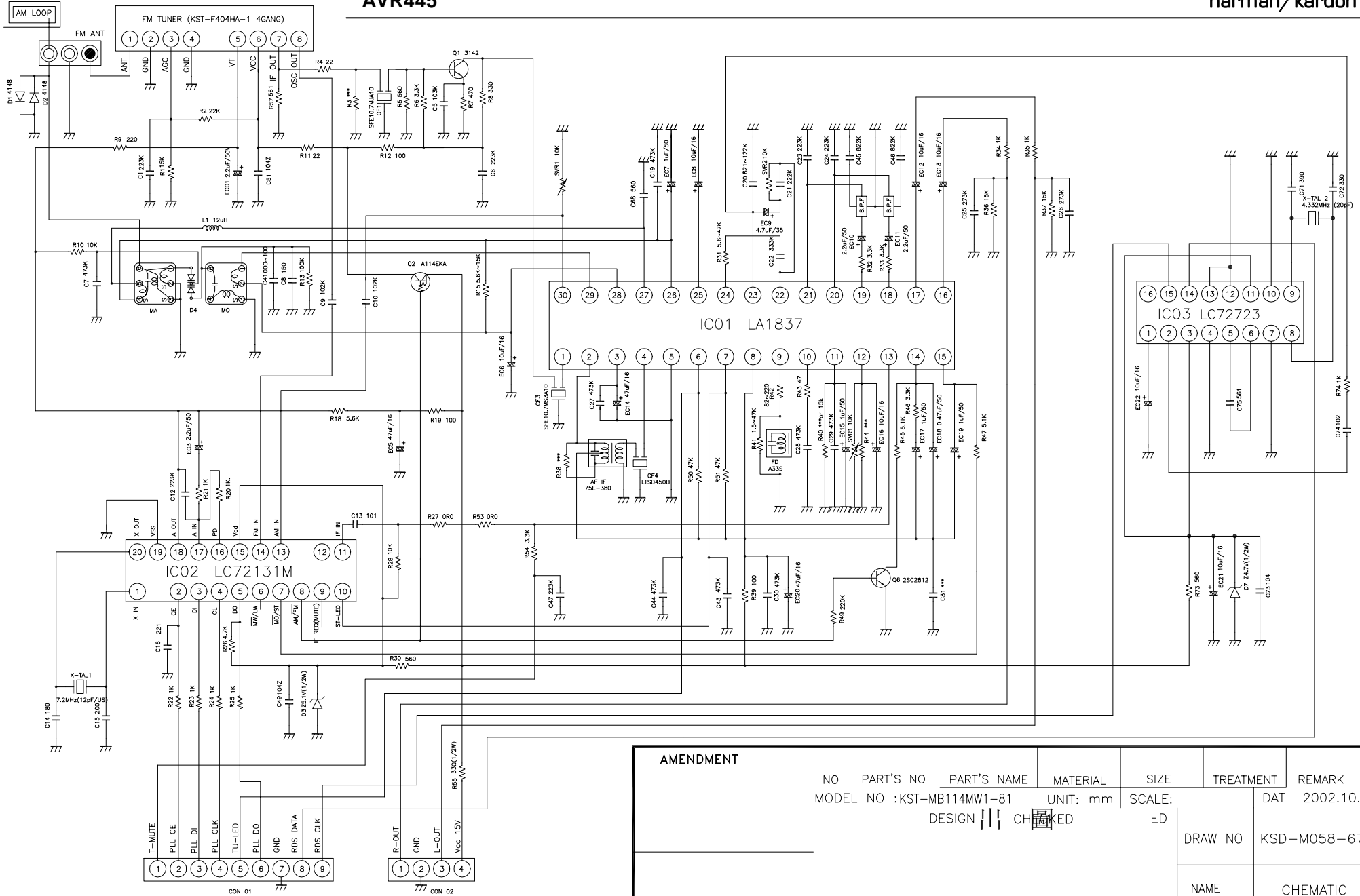


REVISION RECORD		
NO.	Date	Contents



Category	Model	Sheet	B'D name
AV RECEIVER	AVR445-US	1 / 1	MAN
Stage	Ver.	1 / 1	MAN
MP	Approved	Date	Drawing No
KIM.S.Y	21.SEP.2006		

SCHEMATIC DIAGRAM
 harman kardon
 AVR445-US MAIN B'D (1/1)



AMENDMENT		NO	PART'S NO	PART'S NAME	MATERIAL	SIZE	TREATMENT	REMARK
		MODEL NO : KST-MB114MW1-81		UNIT: mm	SCALE:	DAT 2002.10.19		
		DESIGN		CH	CKED	-D		
		DRAW NO		KSD-M058-67RS				
		NAME		CHEMATIC				

*Note. The Component values of this Schematic diagram are subject to change without notice for improvement.