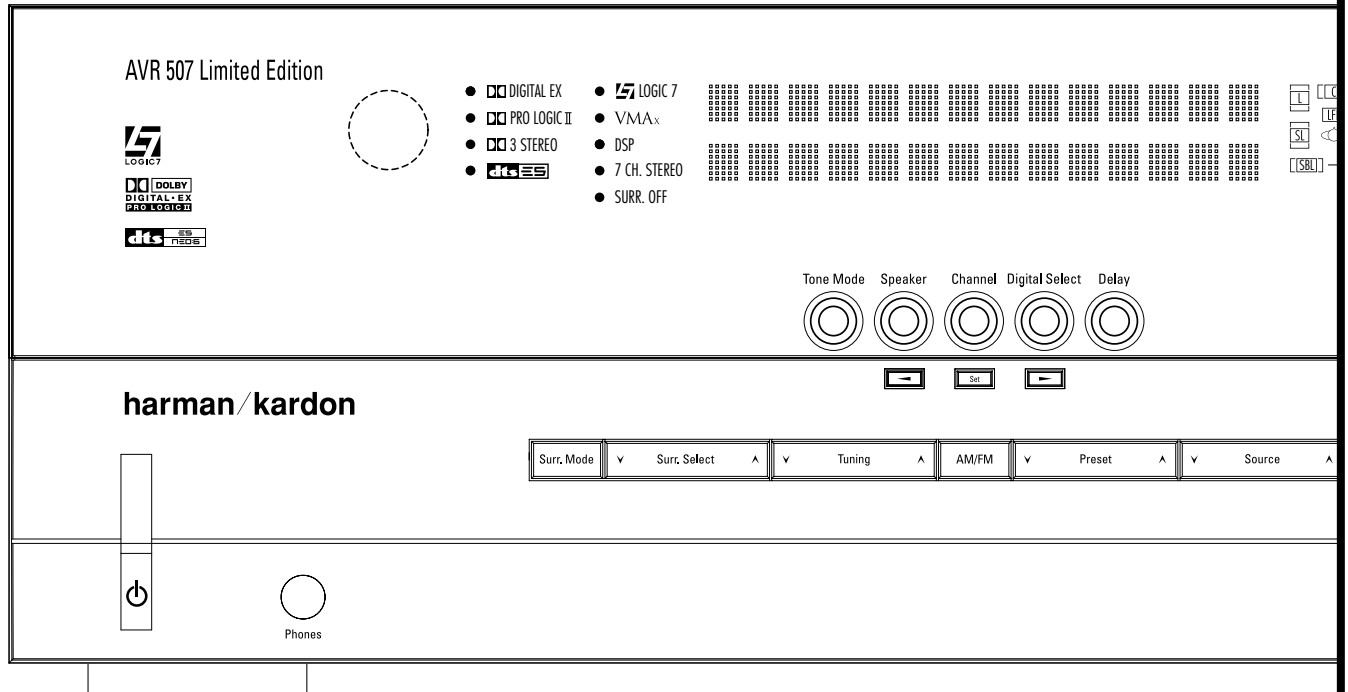


AVR 507 Limited Edition Audio/Video Receiver

SERVICE MANUAL



harman/kardon®

Power for the Digital Revolution™

Technical Specifications

Audio Section

Stereo Mode

Continuous Average Power (FTC)

65 Watts per channel, 20Hz–20kHz,
@ < 0.07% THD, both channels driven into 8 ohms

5/7 Channel Surround Modes

Power Per Individual Channel

Front L&R channels:
50 Watts per channel,
@ < 0.07% THD, 20Hz–20kHz into 8 ohms

Center channel:
50 Watts, @ < 0.07% THD, 20Hz–20kHz into 8 ohms

Surround (L & R Side, L & R Back) channels:
50 Watts per channel,
@ < 0.07% THD, 20Hz–20kHz into 8 ohms

Input Sensitivity/Impedance

Linear (High Level) 200mV/47kohms

Signal-to-Noise Ratio (IHF-A) 95dB

Surround System Adjacent Channel Separation

Analog Decoding 40dB
(Pro Logic, etc.)

Dolby Digital (AC-3) 55dB
DTS 55dB

Frequency Response

@ 1W (+0dB, -3dB) 10Hz–100kHz

High Instantaneous

Current Capability (HCC) ±30 Amps

Transient Intermodulation

Distortion (TIM) Unmeasurable

Rise Time 16 µsec

Slew Rate 40V/µsec**

FM Tuner Section

Frequency Range	87.5–108MHz
Usable Sensitivity	IHF 1.3 µV/13.2dBf
Signal-to-Noise Ratio	Mono/Stereo: 70/68dB (DIN)
Distortion	Mono/Stereo: 0.2/0.3%
Stereo Separation	40dB @ 1kHz
Selectivity	±400kHz: 70dB
Image Rejection	80dB
IF Rejection	90dB

AM Tuner Section

Frequency Range	522–1611kHz
Signal-to-Noise Ratio	45dB
Usable Sensitivity	Loop: 500µV
Distortion	1kHz, 50% Mod: 0.8%
Selectivity	±10kHz: 30dB

Video Section

Video Format	PAL/NTSC
Input Level/Impedance	1Vp-p/75 ohms
Output Level/Impedance	1Vp-p/75 ohms
Video Frequency Response (Composite and S-Video)	10Hz–8MHz (-3dB)
Video Frequency Response (Component)	10Hz-50MHz (-3dB)

General

Power Requirement	AC 220-240V/50Hz
Power Consumption	118W idle, 890W maximum (7 channels driven)

Dimensions (Max)

Width	440mm
Height	165mm
Depth	382mm
Weight	14.0 kg

Depth measurement includes knobs, buttons and terminal connections.

Height measurement includes feet and chassis.

All features and specifications are subject to change without notice.

Harman Kardon is a registered trademark, and Power for the digital revolution is a trademark, of Harman International Industries, Inc.

IIIzSet™ is a trademark of Harman International Industries, Inc. (Patent No. 5,386,478).

*Manufactured under license from Dolby Laboratories.

"Dolby," "Pro Logic," "Pro Logic II" and the Double-D symbol are trademarks of Dolby Laboratories. Confidential Unpublished Works. ©1992–1999 Dolby Laboratories, Inc. All rights reserved.

DTS and DTS Surround, DTS-ES and DTS Neo:6 are trademarks of Digital Theater Systems, Inc.

UltraStereo is a trademark of UltraStereo Corp.

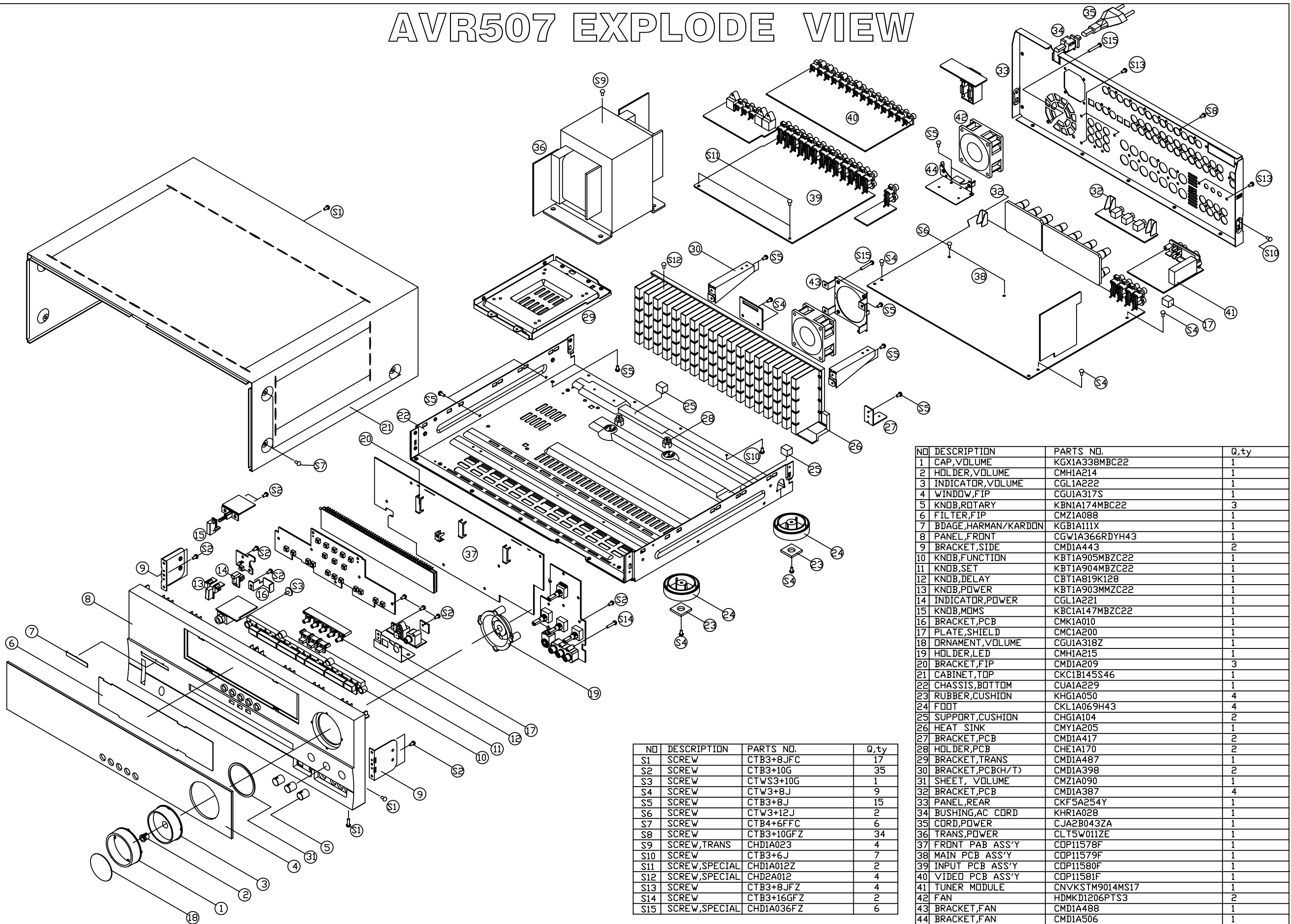
VMAx is a trademark of Harman International Industries, Inc., and is an implementation of Cooper Bauck Transaural Stereo under patent license.

Logic 7 is a registered trademark of Harman International Industries, Incorporated.

Crystal is a registered trademark of Cirrus Logic Corp.

**Without input anti slewing and output isolation networks.

AVR507 EXPLODE VIEW



NO	DESCRIPTION	PARTS NO.	Q,ty
1	CAP,VOLUME	KGX1A338MBC22	1
2	HOLDER,VOLUME	CMH1A214	1
3	INDICATOR,VOLUME	CGL1A222	1
4	WINDOW,FIP	CGU1A317S	1
5	KNOB,ROTARY	KBN1A174MBC22	3
6	FILTER,FIP	CMZ1A088	1
7	BDAGE,HARMAN/KARDON	KGB1A111X	1
8	PANEL,FRONT	CGW1A366RDYH43	1
9	BRACKET,SIDE	CMD1A443	2
10	KNOB,FUNCTION	KBT1A905MBZC22	1
11	KNOB,SET	KBT1A904MBZC22	1
12	KNOB,DELAY	CBT1A819K128	1
13	KNOB,POWER	KBT1A903MMZC22	1
14	INDICATOR,POWER	CGL1A221	1
15	KNOB,MOMS	KBC1A147MBZC22	1
16	BRACKET,PCB	CMK1A010	1
17	PLATE,SHIELD	CMC1A200	1
18	ORNAMENT,VOLUME	CGU1A318Z	1
19	HOLDER,LED	CMH1A215	1
20	BRACKET,FIP	CMD1A209	3
21	CABINET,TOP	CKC1B145S46	1
22	CHASSIS,BOTTOM	CUA1A229	1
23	RUBBER,CUSHION	KHG1A050	4
24	FOOT	CKL1A069H43	4
25	SUPPORT,CUSHION	CHG1A104	2
26	HEAT SINK	CMY1A205	1
27	BRACKET,PCB	CMD1A417	2
28	HOLDER,PCB	CHE1A170	2
29	BRACKET,TRANS	CMD1A487	1
30	BRACKET,PCB(H/T)	CMD1A398	2
31	SHEET,VOLUME	CMZ1A090	1
32	BRACKET,PCB	CMD1A387	4
33	PANEL,REAR	CKF5A254Y	1
34	BUSHING,AC CORD	KHR1A028	1
35	CORD,POWER	CJA2B043ZA	1
36	TRANS,POWER	CLT5W011ZE	1
37	FRONT PAB ASS'Y	CDP11578F	1
38	MAIN PCB ASS'Y	CDP11579F	1
39	INPUT PCB ASS'Y	CDP11580F	1
40	VIDEO PCB ASS'Y	CDP11581F	1
41	TUNER MODULE	CNVKSTM9014MS17	1
42	FAN	HDMKD1206PTS3	2
43	BRACKET,FAN	CMD1A488	1
44	BRACKET,FAN	CMD1A506	1

NO	DESCRIPTION	PARTS NO.	Q,ty
S1	SCREW	CTB3+8JFC	17
S2	SCREW	CTB3+10G	35
S3	SCREW	CTWS3+10G	1
S4	SCREW	CTW3+8J	9
S5	SCREW	CTB3+8J	15
S6	SCREW	CTW3+12J	2
S7	SCREW	CTB4+6FFC	6
S8	SCREW	CTB3+10GFZ	34
S9	SCREW,TRANS	CHD1A023	4
S10	SCREW	CTB3+6J	7
S11	SCREW,SPECIAL	CHD1A012Z	2
S12	SCREW,SPECIAL	CHD2A012	4
S13	SCREW	CTB3+8JFZ	4
S14	SCREW	CTB3+16GFZ	2
S15	SCREW,SPECIAL	CHD1A036FZ	6

AVR507 PACKING			
			1/1
Pos	Part number	1st part name	2nd part name
	CPG1A732S	BOX , OUT CARTON	
	HARTAVR507	REMOCON ASS'Y	
	HARTZONE2	REMOCON ASS'Y	
	CPP1A081Z	BAG,POLY SET	
	CPS4A564	PAD , SNOW L	
	CPS4A565	PAD , SNOW R	
	CPB1061Y	BAG , POLY	
	CQE1A180Z	BOOKLET , IMFORMATIONS	
	CQX1A862Y	MANUAL , INSTRUCTION	
	CQX1A866Y	MANUAL , SETUP	
	CSA1A018Z	FM 1 POLE ANT	
	CSA3A012Z	AM LOOP ANTENNA ASS'Y	
	HABAAAM1.5V	BATTERY	
	HABAAAM1.5VHK	BATTERY	
	CQXAVR507	INSTRUCTION MANUAL ASS'Y	
AVR507 MECH			
			1/2
Pos	Part number	1st part name	2nd part name
	CNVKSTM9014MS17	TUNER MODULE(EUR)	
	CKC1B145S46	CABINET , TOP	
	CGWAVR507	FRONT PANEL ASS'Y	
	CGW1A366RDYH43	PANEL , FRONT	
	KBC1A147MBZC22	KNOB , MOMS	
	KBT1A903MMZC22	KNOB , POWER	
	KBT1A904MBZC22	KNOB , SET	
	KBT1A905MBYC22	KNOB , FUNCTION	
	KBN1A174MBC22	KNOB , ROTARY	
	CBT1A819K128	KNOB , DELAY	
	KGB1A111X	BADGE , HARMAN/KARDON	
	CMH1A214	HOLDER , VOLUME	
	CGL1A222	INDICATOR , VOLUME	
	KGX1A338MBC22	CAP , VOLUME	
	CMZ1A090	SHEET , VOLUME	
	CGU1A318Z	ORNAMENT , VOLUME	
	CGU1A317S	WINDOW , FIP	
	CGL1A221	INDICATOR , POWER	
	CMH1A215	HOLDER , LED	
	CMX1A148	INSULATOR , FUBCTION	
	CMX1A149	INSULATOR , SET	
	CMZ1A088	FILTER , FIP	
	CUA1A229	CHASSIS , BOTTOM	
	HDMKD1206PTS3	MOTOR , FAN(60X60X25MM)	
BN72	CWZAVR230BN72	WIRE ASS'Y	
	CLZ9Z028Z	FERRITE CORE(21.2X6.4X12.7)	
	CQB1A549Z	LABEL , ATTENTION	

AVR507 MECH

AVR507 MECH			
			2/2
Pos	Part number	1st part name	2nd part name
	CQB1A551Z	LABEL , BAR CODE	
	CHE170	HOLDER , PCB	
	CHG1A104	CUSHION , EVA	
	CHG1A157	CUSHION , RUBBER	
	CJA2B043ZA	CORD , POWER(EUR)	
	CKF5A254Y	PANEL , REAR	
	CKL1A069H43	FOOT	
	CMC1A200	PLATE , SHIELD	
	CLZ9W003Z	FERRITE , RING	
	CMD1A443	BRACKET , SIDE	
	CMK1A010	BRACKET , PCB	
	CMD1A487	BRACKET , TRANS	
	CMD1A506	BRACKET , FAN	
	KHE36-3	CLAMPER , WIRE	
	KHG1A050	RUBBER , CUSHION	
	KHR1A028	BUSHING , AC CORD	
	KHR301	CLAMPER	
	KHR301	CLAMPER	
	CTB3+8JFC	SCREW	
	CTB4+6FFC	SCREW	
	CHD1A012Z	SCREW , SPECIAL	
	CHD1A023	SCREW , TRANS	
	CHD1A036FZ	SCREW , SPECIAL	
	CHD2A012	SCREW , TR	
	CTB3+10G	SCREW	
	CTB3+16GFZ	SCREW	
	CTWS3+10G	SCREW	

AVR507 FRONT			
			1/10
Pos	Part number	1st part name	2nd part name
	COP11578F	FRONT PCB ASS'Y	
C701	HCBS1H390JT	CAP , CERAMIC	39PF 50V J
C702	HCBS1H390JT	CAP , CERAMIC	39PF 50V J
C703	HCBS1H821KBT	CAP , CERAMIC	820PF 50V K
C704	HCEA1VH100T	CAP , ELECT	10UF 35V
C705	HCBS1H102KBT	CAP , CERAMIC	1000PF 50V B
C706	HCBS1H561KBT	CAP , CERAMIC	
C708	HCBS1H223ZFT	CAP , CERAMIC	0.022UF 50V Z
C709	HCEA1CH101T	CAP , ELECT	100UF 16V
C710	HCEA1HH2R2T	CAP , ELECT	2.2UF 50V
C711	HCBS1H102KBT	CAP , CERAMIC	1000PF 50V B
C712	HCEA1HH1R0T	CAP , ELECT	1UF 50V
C713	HCBS1H223ZFT	CAP , CERAMIC	0.022UF 50V Z
C714	HCBS1H151KBT	CAP , CERAMIC	150PF 50V K
C715	HCEA1HH4R7T	CAP , ELECT	4.7UF 50V
C716	HCEA1CH331T	CAP , ELECT	
C717	HCBS1H221KBT	CAP , CERAMIC	220PF 50V K
C718	HCBS1H221KBT	CAP , CERAMIC	220PF 50V K
C719	HCBS1H181KBT	CAP , CERAMIC	180PF 50V K
C720	HCBS1H181KBT	CAP , CERAMIC	180PF 50V K
C721	HCBS1H181KBT	CAP , CERAMIC	180PF 50V K
C722	HCEA1CH101T	CAP , ELECT	100UF 16V
C723	HCBS1H104ZFT	CAP , CERAMIC	0.1UF 50V Z
C724	HCBS1H223ZFT	CAP , CERAMIC	0.022UF 50V Z
C725	CCKT1H473ZF	CAP , CERAMIC	0.047UF 50V ZF
C726	HCEA0JH102T	CAP , ELECT	1000UF 6.3V
C727	HCBS1H221KBT	CAP , CERAMIC	220PF 50V K
C728	HCBS1H104ZFT	CAP , CERAMIC	0.1UF 50V Z
C729	CCKT1H473ZF	CAP , CERAMIC	0.047UF 50V ZF
C730	HCBS1H104ZFT	CAP , CERAMIC	0.1UF 50V Z
C731	HCEA1HH100T	CAP , ELECT	10UF 50V
C732	HCBS1H104ZFT	CAP , CERAMIC	0.1UF 50V Z
C733	HCEA1EH470T	CAP , ELECT	47UF 25V
C735	HCEA1VH100T	CAP , ELECT	10UF 35V
C736	HCBS1H223ZFT	CAP , CERAMIC	0.022UF 50V Z
C737	HCBS1H180JT	CAP , CERAMIC	
C738	HCBS1H180JT	CAP , CERAMIC	
C770	HCBS1H223ZFT	CAP , CERAMIC	0.022UF 50V Z
C771	HCBS1H223ZFT	CAP , CERAMIC	0.022UF 50V Z
C773	HCEA1VH100T	CAP , ELECT	10UF 35V
C774	HCEA1VH100T	CAP , ELECT	10UF 35V
C775	HCBS1H151KBT	CAP , CERAMIC	150PF 50V K
C776	HCBS1H151KBT	CAP , CERAMIC	150PF 50V K
C777	HCEA1VH100T	CAP , ELECT	10UF 35V
C778	HCEA1VH100T	CAP , ELECT	10UF 35V

AVR507 FRONT

2/10			
Pos	Part number	1st part name	2nd part name
C779	HCEA1CKS470T	CAP, ELECT	
C780	HCEA1CKS470T	CAP, ELECT	
C781	HCEA1CKS100T	CAP, ELECT	
C782	HCEA1CKS100T	CAP, ELECT	
C785	HCBS1H470JT	CAP, CERAMIC	47PF 50V J
C786	HCBS1H470JT	CAP, CERAMIC	47PF 50V J
C787	HCEA1CKS100T	CAP, ELECT	
C788	HCEA1CKS100T	CAP, ELECT	
C789	HCEA1CKS100T	CAP, ELECT	
C790	HCEA1CKS100T	CAP, ELECT	
C791	HCEA1CKS470T	CAP, ELECT	
C792	HCEA1CKS470T	CAP, ELECT	
C793	KCFE1J183JBT	CAP, FILM	0.018UF 63V J
C794	KCFE1J183JBT	CAP, FILM	0.018UF 63V J
C795	KCFE1J823JBT	CAP, FILM	0.082UF 63V J
C796	KCFE1J823JBT	CAP, FILM	0.082UF 63V J
C797	KCFE1J332JBT	CAP, FILM	0.0033UF 63V J
C798	KCFE1J332JBT	CAP, FILM	0.0033UF 63V J
C799	KCFE1J183JBT	CAP, FILM	0.018UF 63V J
C800	KCFE1J183JBT	CAP, FILM	0.018UF 63V J
C805	HCBS1H223ZFT	CAP, CERAMIC	0.022UF 50V Z
C806	HCBS1H223ZFT	CAP, CERAMIC	0.022UF 50V Z
C807	CCKT1H104ZF	CAP, CERAMIC	50V 0.1UF
C808	CCKT1H181KB	CAP, CERAMIC	180PF 50V KB
C809	HCEA1AH471T	CAP, ELECT	470UF 10V
C810	HCEA1CH101T	CAP, ELECT	100UF 16V
C811	HCEA1CH101T	CAP, ELECT	100UF 16V
C812	HCBS1H104ZFT	CAP, CERAMIC	0.1UF 50V Z
C813	HCEA1HH4R7T	CAP, ELECT	4.7UF 50V
C814	HCEA1HH4R7T	CAP, ELECT	4.7UF 50V
C815	HCBS1H223ZFT	CAP, CERAMIC	0.022UF 50V Z
C816	HCBS1H223ZFT	CAP, CERAMIC	0.022UF 50V Z
C850	HCBS1H471KBT	CAP, CERAMIC	
C851	HCBS1H471KBT	CAP, CERAMIC	
C852	HCBS1H104ZFT	CAP, CERAMIC	0.1UF 50V Z
C855	HCBS1H101KBT	CAP, CERAMIC	100PF 50V K
C856	HCBS1H101KBT	CAP, CERAMIC	100PF 50V K
C857	HCBS1H104ZFT	CAP, CERAMIC	0.1UF 50V Z
C858	HCBS1H223ZFT	CAP, CERAMIC	0.022UF 50V Z
C859	HCBS1H223ZFT	CAP, CERAMIC	0.022UF 50V Z
C860	HCBS1H223ZFT	CAP, CERAMIC	0.022UF 50V Z
C861	HCBS1H223ZFT	CAP, CERAMIC	0.022UF 50V Z
C862	HCBS1H101KBT	CAP, CERAMIC	100PF 50V K
C863	HCBS1H101KBT	CAP, CERAMIC	100PF 50V K
C864	HCEA1VH100T	CAP, ELECT	10UF 35V
C865	CCKT1H473ZF	CAP, CERAMIC	0.047UF 50V ZF

AVR507 FRONT			
			3/10
Pos	Part number	1st part name	2nd part name
C866	HCEA1CKS100T	CAP , ELECT	
C867	HCEA1CKS100T	CAP , ELECT	
C868	HCEA1CKS470T	CAP, ELECT	
C869	HCEA1CKS470T	CAP, ELECT	
C870	HCBS1H681KBT	CAP , CERAMIC	
C871	HCBS1H681KBT	CAP , CERAMIC	
C872	HCEA1CH331T	CAP , ELECT	
C873	HCEA1CH331T	CAP , ELECT	
C874	HCBS1H101KBT	CAP , CERAMIC	100PF 50V K
C875	HCBS1H473ZFT	CAP , CERAMIC	0.047UF 50V Z
C876	HCBS1H473ZFT	CAP , CERAMIC	0.047UF 50V Z
C877	HCBS1H473ZFT	CAP , CERAMIC	0.047UF 50V Z
C878	HCBS1H473ZFT	CAP , CERAMIC	0.047UF 50V Z
C880	HCEA1AH221T	CAP , ELECT	
C882	HCBS1H104ZFT	CAP , CERAMIC	0.1UF 50V Z
C886	HCEA0JH102T	CAP , ELECT	1000UF 6.3V
C889	HCBS1H220JT	CAP , CERAMIC	
C890	HCBS1H220JT	CAP , CERAMIC	
C891	HCBS1H223ZFT	CAP , CERAMIC	0.022UF 50V Z
C892	HCBS1H223ZFT	CAP , CERAMIC	0.022UF 50V Z
C893	HCBS1H223ZFT	CAP , CERAMIC	0.022UF 50V Z
C894	HCBS1H223ZFT	CAP , CERAMIC	0.022UF 50V Z
C895	HCEA1AH471T	CAP , ELECT	470UF 10V
C896	HCBS1H223ZFT	CAP , CERAMIC	0.022UF 50V Z
C897	HCEA1AH471T	CAP , ELECT	470UF 10V
C900	HCBS1H104ZFT	CAP , CERAMIC	0.1UF 50V Z
C902	HCEA1HH2R2T	CAP , ELECT	2.2UF 50V
D724	HVD1SS133MT	DIODE	1SS133T-77
D725	HVD1SS133MT	DIODE	1SS133T-77
D726	HVD1SS133MT	DIODE	1SS133T-77
D727	HVD1SS133MT	DIODE	1SS133T-77
D728	HVD1SS133MT	DIODE	1SS133T-77
D729	HVD1SS133MT	DIODE	1SS133T-77
D730	HVD1SS133MT	DIODE	1SS133T-77
D761	HVD1SS133MT	DIODE	1SS133T-77
D774	HVD1SS133MT	DIODE	1SS133T-77
D775	HVD1SS133MT	DIODE	1SS133T-77
D776	KVD1N4003ST	DIODE	1N4003
D777	HVD1SS133MT	DIODE	1SS133T-77
D778	KVD1N4003ST	DIODE	1N4003
D779	HVD1SS133MT	DIODE	1SS133T-77
D783	HVD1SS133MT	DIODE	1SS133T-77
D784	HVD1SS133MT	DIODE	1SS133T-77
D785	HVD1SS133MT	DIODE	1SS133T-77
D786	HVDMTZJ5.6BT	DIODE , ZENER	
D787	HVDMTZJ5.6BT	DIODE , ZENER	

AVR507 FRONT			
Pos	Part number	1st part name	2nd part name
			4/10
D788	HVDMTZJ5.6BT	DIODE , ZENER	
D789	HVDMTZJ5.6BT	DIODE , ZENER	
IC87	HVIRE5VL28CATZ	IC , RESET	
L702	HLQ02C100KT	COIL , AXAIL	
Q701	HVTKRC107MT	T.R	KRC107M
Q702	HVTKRC107MT	T.R	KRC107M
Q703	HVTKRC107MT	T.R	KRC107M
Q704	HVTKRC107MT	T.R	KRC107M
Q705	HVTKRC107MT	T.R	KRC107M
Q706	HVTKRC107MT	T.R	KRC107M
Q722	HVTKRA107MT	T.R	KRA107M
Q723	HVTKRC107MT	T.R	KRC107M
Q724	HVTKRC107MT	T.R	KRC107M
Q725	HVTKRC107MT	T.R	KRC107M
Q726	HVTKRC107MT	T.R	KRC107M
Q727	HVTKRC107MT	T.R	KRC107M
Q728	HVTKRC107MT	T.R	KRC107M
Q729	HVTKRC107MT	T.R	KRC107M
Q731	KVTKSA1175YT	T.R	KSA1175Y
Q732	HVTKRC107MT	T.R	KRC107M
Q733	KVTKSC2785YT	T.R	KSC2785Y
Q734	HVTKTC2874BT	T.R , MUTE	KTC2874B
Q735	HVTKTC2874BT	T.R , MUTE	KTC2874B
Q736	HVTKTC2874BT	T.R , MUTE	KTC2874B
Q737	HVTKTC2874BT	T.R , MUTE	KTC2874B
Q738	HVTKRC107MT	T.R	KRC107M
Q739	HVTKTA1271YT	T.R	KTA1271Y
Q740	HVTKRC107MT	T.R	KRC107M
Q741	HVTKRC107MT	T.R	KRC107M
Q743	HVTKRA107MT	T.R	KRA107M
R701	CRD20TJ103T	RES , CARBON	10K OHM 1/5W J
R702	CRD20TJ1R0T	RES , CARBON	1 OHM 1/5W J
R704	CRD20TJ100T	RES , CARBON	10 OHM 1/5W J
R705	CRD20TJ820T	RES , CARBON	82 OHM 1/5W J
R706	CRD20TJ820T	RES , CARBON	82 OHM 1/5W J
R707	CRD20TJ820T	RES , CARBON	82 OHM 1/5W J
R708	CRD20TJ820T	RES , CARBON	82 OHM 1/5W J
R709	CRD20TJ470T	RES , CARBON	47 OHM 1/5W J
R710	CRD20TJ470T	RES , CARBON	47 OHM 1/5W J
R711	CRD20TJ470T	RES , CARBON	47 OHM 1/5W J
R712	CRD20TJ470T	RES , CARBON	47 OHM 1/5W J
R713	CRD20TJ332T	RES , CARBON	3.3K OHM 1/5W J
R714	CRD20TJ470T	RES , CARBON	47 OHM 1/5W J
R715	CRD20TJ470T	RES , CARBON	47 OHM 1/5W J
R716	CRD20TJ102T	RES , CARBON	1K OHM 1/5W J
R717	CRD20TJ103T	RES , CARBON	10K OHM 1/5W J

AVR507 FRONT

5/10			
Pos	Part number	1st part name	2nd part name
R718	CRD20TJ222T	RES , CARBON	2.2K OHM 1/5W J
R719	CRD20TJ102T	RES , CARBON	1K OHM 1/5W J
R720	CRD20TJ102T	RES , CARBON	1K OHM 1/5W J
R721	CRD20TJ103T	RES , CARBON	10K OHM 1/5W J
R723	CRD20TJ222T	RES , CARBON	2.2K OHM 1/5W J
R724	CRD20TJ102T	RES , CARBON	1K OHM 1/5W J
R725	CRD20TJ103T	RES , CARBON	10K OHM 1/5W J
R726	CRD20TJ103T	RES , CARBON	10K OHM 1/5W J
R727	CRD20TJ102T	RES , CARBON	1K OHM 1/5W J
R728	CRD20TJ101T	RES , CARBON	100 OHM 1/5W J
R729	CRD20TJ103T	RES , CARBON	10K OHM 1/5W J
R730	CRD20TJ112T	RES,CABON	
R731	CRD20TJ223T	RES , CARBON	22K OHM 1/5W J
R732	CRD20TJ202T	RES , CARBON	
R733	CRD20TJ272T	RES , CARBON	2.7K OHM 1/5W J
R734	CRD20TJ103T	RES , CARBON	10K OHM 1/5W J
R735	CRD20TJ103T	RES , CARBON	10K OHM 1/5W J
R736	CRD20TJ272T	RES , CARBON	2.7K OHM 1/5W J
R737	CRD20TJ100T	RES , CARBON	10 OHM 1/5W J
R738	CRD20TJ103T	RES , CARBON	10K OHM 1/5W J
R739	CRD20TJ103T	RES , CARBON	10K OHM 1/5W J
R740	CRD20TJ103T	RES , CARBON	10K OHM 1/5W J
R741	CRD20TJ103T	RES , CARBON	10K OHM 1/5W J
R742	CRD20TJ103T	RES , CARBON	10K OHM 1/5W J
R743	CRD20TJ103T	RES , CARBON	10K OHM 1/5W J
R744	CRD20TJ103T	RES , CARBON	10K OHM 1/5W J
R745	CRD20TJ103T	RES , CARBON	10K OHM 1/5W J
R746	CRD20TJ103T	RES , CARBON	10K OHM 1/5W J
R747	CRD20TJ103T	RES , CARBON	10K OHM 1/5W J
R750	CRD20TJ223T	RES , CARBON	22K OHM 1/5W J
R751	CRD20TJ223T	RES , CARBON	22K OHM 1/5W J
R752	CRD20TJ223T	RES , CARBON	22K OHM 1/5W J
R753	CRD20TJ102T	RES , CARBON	1K OHM 1/5W J
R754	CRD20TJ152T	RES , CARBON	1.5K OHM 1/5W J
R755	CRD20TJ182T	RES , CARBON	1.8K OHM 1/5W J
R756	CRD20TJ272T	RES , CARBON	2.7K OHM 1/5W J
R757	CRD20TJ332T	RES , CARBON	3.3K OHM 1/5W J
R758	CRD20TJ562T	RES , CARBON	5.6K OHM 1/5W J
R759	CRD20TJ102T	RES , CARBON	1K OHM 1/5W J
R760	CRD20TJ152T	RES , CARBON	1.5K OHM 1/5W J
R761	CRD20TJ182T	RES , CARBON	1.8K OHM 1/5W J
R762	CRD20TJ272T	RES , CARBON	2.7K OHM 1/5W J
R763	CRD20TJ332T	RES , CARBON	3.3K OHM 1/5W J
R764	CRD20TJ562T	RES , CARBON	5.6K OHM 1/5W J
R765	CRD20TJ752T	RES , CARBON	7.5K OHM 1/5W J
R766	CRD20TJ102T	RES , CARBON	1K OHM 1/5W J

AVR507 FRONT

6/10			
Pos	Part number	1st part name	2nd part name
R767	CRD20TJ152T	RES , CARBON	1.5K OHM 1/5W J
R768	CRD20TJ182T	RES , CARBON	1.8K OHM 1/5W J
R769	CRD20TJ272T	RES , CARBON	2.7K OHM 1/5W J
R770	CRD20TJ100T	RES , CARBON	10 OHM 1/5W J
R771	CRD20TJ103T	RES , CARBON	10K OHM 1/5W J
R772	CRD20TJ103T	RES , CARBON	10K OHM 1/5W J
R773	CRD20TJ103T	RES , CARBON	10K OHM 1/5W J
R774	CRD20TJ222T	RES , CARBON	2.2K OHM 1/5W J
R775	CRD20TJ470T	RES , CARBON	47 OHM 1/5W J
R776	CRD20TJ470T	RES , CARBON	47 OHM 1/5W J
R777	CRD20TJ100T	RES , CARBON	10 OHM 1/5W J
R808	CRD20TJ102T	RES , CARBON	1K OHM 1/5W J
R809	CRD20TJ102T	RES , CARBON	1K OHM 1/5W J
R810	CRD20TJ101T	RES , CARBON	100 OHM 1/5W J
R811	CRD20TJ101T	RES , CARBON	100 OHM 1/5W J
R813	CRD20TJ104T	RES , CARBON	100K OHM 1/5W J
R814	CRD20TJ104T	RES , CARBON	100K OHM 1/5W J
R820	CRD20TJ103T	RES , CARBON	10K OHM 1/5W J
R821	CRD20TJ103T	RES , CARBON	10K OHM 1/5W J
R822	CRD20TJ471T	RES , CARBON	470 OHM 1/5W J
R824	CRD20TJ820T	RES , CARBON	82 OHM 1/5W J
R825	CRD20TJ181T	RES , CARBON	180 OHM 1/5W J
R826	CRD20TJ102T	RES , CARBON	1K OHM 1/5W J
R827	CRD20TJ102T	RES , CARBON	1K OHM 1/5W J
R829	CRD20TJ184T	RES , CARBON	
R830	CRD20TJ184T	RES , CARBON	
R831	CRD20TJ562T	RES , CARBON	5.6K OHM 1/5W J
R832	CRD20TJ562T	RES , CARBON	5.6K OHM 1/5W J
R833	CRD20TJ102T	RES , CARBON	1K OHM 1/5W J
R834	CRD20TJ102T	RES , CARBON	1K OHM 1/5W J
R835	CRD20TJ184T	RES , CARBON	
R836	CRD20TJ184T	RES , CARBON	
R837	CRD20TJ101T	RES , CARBON	100 OHM 1/5W J
R838	CRD20TJ101T	RES , CARBON	100 OHM 1/5W J
R839	CRD20TJ104T	RES , CARBON	100K OHM 1/5W J
R840	CRD20TJ104T	RES , CARBON	100K OHM 1/5W J
R841	CRD20TJ473T	RES , CARBON	47K OHM 1/5W J
R842	CRD20TJ473T	RES , CARBON	47K OHM 1/5W J
R843	CRD20TJ105T	RES , CARBON	1M OHM 1/5W J
R844	CRD20TJ105T	RES , CARBON	1M OHM 1/5W J
R845	CRD20TJ104T	RES , CARBON	100K OHM 1/5W J
R846	CRD20TJ104T	RES , CARBON	100K OHM 1/5W J
R847	CRD20TJ102T	RES , CARBON	1K OHM 1/5W J
R848	CRD20TJ102T	RES , CARBON	1K OHM 1/5W J
R849	CRD20TJ223T	RES , CARBON	22K OHM 1/5W J
R850	CRD20TJ223T	RES , CARBON	22K OHM 1/5W J

AVR507 FRONT

AVR507 FRONT			
			7/10
Pos	Part number	1st part name	2nd part name
R851	CRD20TJ392T	RES , CARBON	
R852	CRD20TJ392T	RES , CARBON	
R853	CRD20TJ222T	RES , CARBON	2.2K OHM 1/5W J
R854	CRD20TJ222T	RES , CARBON	2.2K OHM 1/5W J
R855	CRD20TJ681T	RES , CARBON	680 OHM 1/5W J
R856	CRD20TJ681T	RES , CARBON	680 OHM 1/5W J
R857	CRD20TJ221T	RES , CARBON	220 OHM 1/5W J
R858	CRD20TJ221T	RES , CARBON	220 OHM 1/5W J
R864	CRD20TJ272T	RES , CARBON	2.7K OHM 1/5W J
R865	CRD20TJ102T	RES , CARBON	1K OHM 1/5W J
R866	CRD20TJ272T	RES , CARBON	2.7K OHM 1/5W J
R868	CRD20TJ1R0T	RES , CARBON	1 OHM 1/5W J
R869	CRD20TJ750T	RES , CARBON	75 OHM 1/5W J
R871	CRD20TJ104T	RES , CARBON	100K OHM 1/5W J
R872	CRD20TJ104T	RES , CARBON	100K OHM 1/5W J
R873	CRD20TJ471T	RES , CARBON	470 OHM 1/5W J
R874	CRD20TJ471T	RES , CARBON	470 OHM 1/5W J
R875	CRD20TJ103T	RES , CARBON	10K OHM 1/5W J
R876	CRD20TJ750T	RES , CARBON	75 OHM 1/5W J
R877	CRD20TJ750T	RES , CARBON	75 OHM 1/5W J
R878	CRD20TJ750T	RES , CARBON	75 OHM 1/5W J
R881	CRD20TJ103T	RES , CARBON	10K OHM 1/5W J
R882	CRD20TJ103T	RES , CARBON	10K OHM 1/5W J
R883	CRD20TJ103T	RES , CARBON	10K OHM 1/5W J
R884	CRD20TJ103T	RES , CARBON	10K OHM 1/5W J
R885	CRD20TJ103T	RES , CARBON	10K OHM 1/5W J
R886	CRD20TJ103T	RES , CARBON	10K OHM 1/5W J
R887	CRD20TJ103T	RES , CARBON	10K OHM 1/5W J
R888	CRD20TJ103T	RES , CARBON	10K OHM 1/5W J
R889	CRD20TJ103T	RES , CARBON	10K OHM 1/5W J
R890	CRD20TJ103T	RES , CARBON	10K OHM 1/5W J
R891	CRD20TJ103T	RES , CARBON	10K OHM 1/5W J
R892	CRD20TJ222T	RES , CARBON	2.2K OHM 1/5W J
R893	CRD20TJ333T	RES , CARBON	33K OHM 1/5W J
R895	CRD20TJ101T	RES , CARBON	100 OHM 1/5W J
R896	CRD20TJ101T	RES , CARBON	100 OHM 1/5W J
R897	CRD20TJ101T	RES , CARBON	100 OHM 1/5W J
R898	CRD20TJ101T	RES , CARBON	100 OHM 1/5W J
R899	CRD20TJ104T	RES , CARBON	100K OHM 1/5W J
R900	CRD20TJ104T	RES , CARBON	100K OHM 1/5W J
R901	CRD20TJ152T	RES , CARBON	1.5K OHM 1/5W J
R902	CRD20TJ152T	RES , CARBON	1.5K OHM 1/5W J
R903	CRD20TJ102T	RES , CARBON	1K OHM 1/5W J
R904	CRD20TJ102T	RES , CARBON	1K OHM 1/5W J
R905	CRD20TJ104T	RES , CARBON	100K OHM 1/5W J
R906	CRD20TJ104T	RES , CARBON	100K OHM 1/5W J

AVR507 FRONT			
			8/10
Pos	Part number	1st part name	2nd part name
R907	CRD20TJ562T	RES , CARBON	5.6K OHM 1/5W J
R908	CRD20TJ562T	RES , CARBON	5.6K OHM 1/5W J
R909	CRD20TJ221T	RES , CARBON	220 OHM 1/5W J
R910	CRD20TJ221T	RES , CARBON	220 OHM 1/5W J
R911	CRD20TJ221T	RES , CARBON	220 OHM 1/5W J
R912	CRD20TJ221T	RES , CARBON	220 OHM 1/5W J
R913	CRD20TJ102T	RES , CARBON	1K OHM 1/5W J
R914	CRD20TJ473T	RES , CARBON	47K OHM 1/5W J
R915	CRD20TJ473T	RES , CARBON	47K OHM 1/5W J
R917	CRD20TJ123T	RES , CARBON	12K OHM 1/5W J
R918	CRD20TJ562T	RES , CARBON	5.6K OHM 1/5W J
R919	CRD20TJ562T	RES , CARBON	5.6K OHM 1/5W J
S701	HST1A020ZT	SW , TACT	
S702	HST1A020ZT	SW , TACT	
S703	HST1A020ZT	SW , TACT	
S704	HST1A020ZT	SW , TACT	
S705	HST1A020ZT	SW , TACT	
S706	HST1A020ZT	SW , TACT	
S707	HST1A020ZT	SW , TACT	
S708	HST1A020ZT	SW , TACT	
S709	HST1A020ZT	SW , TACT	
S710	HST1A020ZT	SW , TACT	
S711	HST1A020ZT	SW , TACT	
S712	HST1A020ZT	SW , TACT	
S713	HST1A020ZT	SW , TACT	
S714	HST1A020ZT	SW , TACT	
S715	HST1A020ZT	SW , TACT	
S716	HST1A020ZT	SW , TACT	
S717	HST1A020ZT	SW , TACT	
S718	HST1A020ZT	SW , TACT	
S719	HST1A020ZT	SW , TACT	
S720	HST1A020ZT	SW , TACT	
	C8ESM800	FLUX	
	H2K31161	SOLDER , WIRE	SN60/PH40
	H2K50301	SOLDER , BAR	S63S-W3.0
	K2K4110	SOLDER , ALMIT	SM:60%
	K4FH300	TAPE , PROTECTIVE	
	K4FM073	TAPE , BOTH SIDE	3M #4920
BAT1	HABGP40BVH3A3H	BATTERY , RECHARGEABLE	GP40BBVH3A3H
BK71	CMD1A209	BRACKET , FLT	A4-92-1739
BK72	CMD1A209	BRACKET , FLT	A4-92-1739
BK73	CMD1A387	BRACKET , PCB	
BK74	CMD1A209	BRACKET , FLT	A4-92-1739
BN10	CWZAVR230BN10	WIRE ASS'Y (SHIELD)	
BN15	CWB2B906150EN	WIRE ASS'Y	
BN16	CWZAVR2550BN16	WIRE ASS'Y (SHIELD)	

AVR507 FRONT			
			9/10
Pos	Part number	1st part name	2nd part name
BN18	CWZAVR125BN18	WIRE ASS'Y (SHIELD)	
BN41	CWZAVR130BN41	WIRE ASS'Y (SHIELD)	
BN80	CWB2B911420EW	WIRE ASS'Y	
BN81	CWB2B908250BM	WIRE , ASS'Y	
BN84	CWB2B905080EN	WIRE ASS'Y	
BN85	CWB2B902090EN	WIRE ASS'Y	
BN87	CWZAVR2550BN87	WIRE ASS'Y (SHIELD)	
BN88	CWB2B904070EN	WIRE ASS'Y	
BN89	CWB2B905080EN	WIRE ASS'Y	
BN90	CWB2B902090EN	WIRE ASS'Y	
BN94	KJP13GB99ZM	CONNECTOR	MOLEX35237-1310
BN95	KJP08GB99ZM	CONNECTOR , HOUSING	MOLEX35237-0810
CN10	KJP04GB46ZM	WAFER	MOLEX 53015
CN11	KJP15GA98ZM	WAFER	MOLEX35336-1510
CN12	KJP15GA98ZM	WAFER	MOLEX35336-1510
CN15	KJP06GA19ZM	WAFER	MOLEX53014-0610
CN16	KJP08GB46ZM	WAFER	
CN72	KJP32GA161ZY	WAFER	YD200 SERIES
CN79	KJP05GA19ZM	WAFER	MOLEX53014-0510
CN82	KJP06HA37ZM	WAFER	MOLEX42140-2206
CN84	KJP05GA19ZM	WAFER	MOLEX53014-0510
CN85	KJP02GA19ZM	WAFER	
CN86	KJP02GA89ZM	WAFER	MOLEX35328-02
CN87	KJP06GA19ZM	WAFER	MOLEX53014-0610
CN88	KJP04GA19ZM	WAFER	
CN89	KJP05GA19ZM	WAFER	MOLEX53014-0510
CN90	KJP02GA19ZM	WAFER	
CN91	KJP06HA37ZM	WAFER	MOLEX42140-2206
C853	KCKDKS472ME	CAP , CERAMIC(X1/Y2/SC)	0.0047UF/2.5KV
D702	CVD52CSBBCEAB2	BLUE L.E.D	
D703	CVD52CSBBCEAB2	BLUE L.E.D	
D704	CVD52CSBBCEAB2	BLUE L.E.D	
D706	CVD52CSBBCEAB2	BLUE L.E.D	
D707	CVD52CSBBCEAB2	BLUE L.E.D	
D723	CVD50BOGDWGA	L.E.D , 2 COLOR	
FIP1	HFLHCA18ML01	F.I.P	
IC71	BVISAA6579TV1	I.C , RDS FILTER TW	SAA6579T/V1
IC72	BVIMB90F482APFG	IC , FLASH U-COM	FUJITSU
IC73	HRVRPM6938H4	SENSOR , REMOTE	RPM6938-H4
IC74	HVIS3F84BB	I.C , FLASH U-COM	S3F84BB
IC75	HVI74ACT04MTR	I.C , HEX	
IC76	HVITC74HCU04AFN	IC , INVERTER	TC74HCU04AFN
IC80	HVIHCF4053M013T	I.C	
IC81	HVINJM2068MDTE1	I.C , OP AMP	NJM2068MD-TE1
IC82	HVINJM2068MDTE1	I.C , OP AMP	NJM2068MD-TE1
IC83	HVI74ACT04MTR	I.C , HEX	

AVR507 FRONT			
			10/10
Pos	Part number	1st part name	2nd part name
IC84	HVI74ACT04MTR	I.C , HEX	
IC85	HVIRH5VT18C	I.C , RESET	
IC86	HVINJM4556AL	I.C	NJM4556AL
IC88	HVINJM2068MDTE1	I.C , OP AMP	NJM2068MD-TE1
IC89	HVIHCF4053M013T	I.C	
JK81	CJJ4M041Y	JACK , BOARD (COAX)	
JK82	HJSTORX179L	MODULE , OPTICAL(RX)	TORX179L
JK83	CJJ2E026Z	JACK , HEADPHONE(SILVER PLATE)	
JK85	CJJ9M003Z	JACK , S-VIDEO	
JK86	CJJ4S023Y	JACK , BOARD	
JW82	CWZAVR2550JW82	WIRE , ASS'Y	
JW84	CWE8202110RV	WIRE, ASS'Y	
JW85	CWE8202070AA	WIRE ASS'Y	
SW01	CSH1A008ZV	SW , PUSH (MOMS)	
VR71	CVV2X05M104Z	RES , VARIABLE(BALANCE)	RK14128030214Y
VR72	CVV2X07C104Z	RES , VARIABLE(TONE)	RK14128030214C
VR73	CVV2X07C104Z	RES , VARIABLE(TONE)	RK14128030214C
VR74	HSR2A026Z	VR , ENCODER	
X701	HOX05000E160C	CRYSTAL	
X702	HOX04332E200C	CRYSTAL	
X703	HOX10000E220C	CRYSTAL	

AVR507 MAIN			
			1/16
Pos	Part number	1st part name	2nd part name
	COP11579F	MAIN PCB ASS'Y	
C501	HCEA1VH100T	CAP , ELECT	10UF 35V
C502	HCEA1VH100T	CAP , ELECT	10UF 35V
C503	HCEA1VH100T	CAP , ELECT	10UF 35V
C504	HCEA1VH100T	CAP , ELECT	10UF 35V
C505	HCEA1VH100T	CAP , ELECT	10UF 35V
C506	CCKT1H331KB	CAP , CERAMIC	330PF 50V KB
C507	CCKT1H331KB	CAP , CERAMIC	330PF 50V KB
C508	CCKT1H331KB	CAP , CERAMIC	330PF 50V KB
C509	CCKT1H331KB	CAP , CERAMIC	330PF 50V KB
C510	CCKT1H331KB	CAP , CERAMIC	330PF 50V KB
C561	HCEA1CH101T	CAP , ELECT	100UF 16V
C562	HCEA1CH101T	CAP , ELECT	100UF 16V
C563	HCEA1CH101T	CAP , ELECT	100UF 16V
C564	HCEA1CH101T	CAP , ELECT	100UF 16V
C565	HCEA1CH101T	CAP , ELECT	100UF 16V
C566	HCEA1CH101T	CAP , ELECT	100UF 16V
C567	HCEA1CH101T	CAP , ELECT	100UF 16V
C568	HCEA1CH101T	CAP , ELECT	100UF 16V
C569	HCEA1CH101T	CAP , ELECT	100UF 16V
C570	HCEA1CH101T	CAP , ELECT	100UF 16V
C571	HCBS1H681KBT	CAP , CERAMIC	
C572	HCBS1H681KBT	CAP , CERAMIC	
C573	HCBS1H681KBT	CAP , CERAMIC	
C574	HCBS1H681KBT	CAP , CERAMIC	
C575	HCBS1H681KBT	CAP , CERAMIC	
C601	CCCT1H120JC	CAP , CERAMIC	12PF 50V JC
C602	CCCT1H120JC	CAP , CERAMIC	12PF 50V JC
C603	CCCT1H120JC	CAP , CERAMIC	12PF 50V JC
C604	CCCT1H120JC	CAP , CERAMIC	12PF 50V JC
C605	CCCT1H120JC	CAP , CERAMIC	12PF 50V JC
C606	CCCT1H330JC	CAP , CERAMIC	33PF 50V JC
C607	CCCT1H330JC	CAP , CERAMIC	33PF 50V JC
C608	CCCT1H330JC	CAP , CERAMIC	33PF 50V JC
C609	CCCT1H330JC	CAP , CERAMIC	33PF 50V JC
C610	CCCT1H330JC	CAP , CERAMIC	33PF 50V JC
C681	HCEA1HH100T	CAP , ELECT	10UF 50V
C682	HCEA1HH100T	CAP , ELECT	10UF 50V
C683	HCEA1HH100T	CAP , ELECT	10UF 50V
C684	HCEA1HH100T	CAP , ELECT	10UF 50V
C685	HCEA1HH100T	CAP , ELECT	10UF 50V
C721	CCKT1H221KB	CAP , MYLAR	220PF 50V KB
C722	CCKT1H221KB	CAP , MYLAR	220PF 50V KB
C723	CCKT1H221KB	CAP , MYLAR	220PF 50V KB
C724	CCKT1H221KB	CAP , MYLAR	220PF 50V KB

AVR507 MAIN

2/16			
Pos	Part number	1st part name	2nd part name
C725	CCKT1H221KB	CAP , MYLAR	220PF 50V KB
C726	CCKT1H221KB	CAP , MYLAR	220PF 50V KB
C727	CCKT1H221KB	CAP , MYLAR	220PF 50V KB
C728	CCKT1H221KB	CAP , MYLAR	220PF 50V KB
C801	HCEA1HH100T	CAP , ELECT	10UF 50V
C802	HCEA1HH100T	CAP , ELECT	10UF 50V
C803	CCCT1H330JC	CAP , CERAMIC	33PF 50V JC
C804	CCCT1H330JC	CAP , CERAMIC	33PF 50V JC
C805	CCCT1H120JC	CAP , CERAMIC	12PF 50V JC
C806	CCCT1H120JC	CAP , CERAMIC	12PF 50V JC
C811	HCEA1CH101T	CAP , ELECT	100UF 16V
C812	HCEA1CH101T	CAP , ELECT	100UF 16V
C813	HCEA1CH101T	CAP , ELECT	100UF 16V
C814	HCEA1CH101T	CAP , ELECT	100UF 16V
C815	CCKT1H331KB	CAP , CERAMIC	330PF 50V KB
C816	CCKT1H331KB	CAP , CERAMIC	330PF 50V KB
C817	HCEA1VH100T	CAP , ELECT	10UF 35V
C818	HCEA1VKS100T	CAP , ELECT	10UF 35V
C819	HCBS1H681KBT	CAP , CERAMIC	
C820	HCBS1H681KBT	CAP , CERAMIC	
C900	HCQI1H473JZT	CAP , MYLAR	0.047UF 50V J
C901	HCQI1H473JZT	CAP , MYLAR	0.047UF 50V J
C903	HCBS1H104ZFT	CAP , CERAMIC	0.1UF 50V Z
C905	CCKT1H223ZF	CAP , CERAMIC	0.022UF 50V ZF
C907	HCEA1CH101T	CAP , ELECT	100UF 16V
C908	CCKT1H223ZF	CAP , CERAMIC	0.022UF 50V ZF
C910	HCQI1H473JZT	CAP , MYLAR	0.047UF 50V J
C911	HCEA1CH471T	CAP , ELECT	
C912	HCEA1CH221T	CAP , ELECT	
C913	CCFT1H104ZF	CAP , SEMICONDUCTOR	0.1UF 50V ZF
C914	HCQI1H473JZT	CAP , MYLAR	0.047UF 50V J
C917	HCQI1H473JZT	CAP , MYLAR	0.047UF 50V J
C918	HCQI1H473JZT	CAP , MYLAR	0.047UF 50V J
C919	HCQI1H473JZT	CAP , MYLAR	0.047UF 50V J
C923	HCBS1H104ZFT	CAP , CERAMIC	0.1UF 50V Z
C924	HCBS1H104ZFT	CAP , CERAMIC	0.1UF 50V Z
C925	HCBS1H104ZFT	CAP , CERAMIC	0.1UF 50V Z
C932	HCEA1CH101T	CAP , ELECT	100UF 16V
C933	HCEA1CH221T	CAP , ELECT	
C934	CCKT1H223ZF	CAP , CERAMIC	0.022UF 50V ZF
C939	HCEA1HH4R7T	CAP , ELECT	4.7UF 50V
C940	HCEA1AH471T	CAP , ELECT	470UF 10V
C950	HCEA1CH101T	CAP , ELECT	100UF 16V
C955	HCBS1H101KBT	CAP , CERAMIC	100PF 50V K
C971	HCQI1H562JZT	CAP , MYLAR	5600PF 50V J
C972	HCQI1H562JZT	CAP , MYLAR	5600PF 50V J

AVR507 MAIN

AVR507 MAIN			
			3/16
Pos	Part number	1st part name	2nd part name
C973	HCQ11H562JZT	CAP , MYLAR	5600PF 50V J
C974	HCQ11H562JZT	CAP , MYLAR	5600PF 50V J
C975	HCQ11H562JZT	CAP , MYLAR	5600PF 50V J
C980	HCQ11H562JZT	CAP , MYLAR	5600PF 50V J
C981	HCQ11H562JZT	CAP , MYLAR	5600PF 50V J
C989	HCBS1H104ZFT	CAP , CERAMIC	0.1UF 50V Z
C990	HCQ11H473JZT	CAP , MYLAR	0.047UF 50V J
C991	HCEA1HH1R0T	CAP , ELECT	1UF 50V
C992	HCQ11H473JZT	CAP , MYLAR	0.047UF 50V J
C993	HCQ11H473JZT	CAP , MYLAR	0.047UF 50V J
C994	HCQ11H473JZT	CAP , MYLAR	0.047UF 50V J
C995	HCQ11H473JZT	CAP , MYLAR	0.047UF 50V J
C996	HCQ11H473JZT	CAP , MYLAR	0.047UF 50V J
C997	HCQ11H473JZT	CAP , MYLAR	0.047UF 50V J
C999	CCKT1H223ZF	CAP , CERAMIC	0.022UF 50V ZF
C999	HCBS1H104ZFT	CAP , CERAMIC	0.1UF 50V Z
D501	HVD1SS133MT	DIODE	1SS133T-77
D502	HVD1SS133MT	DIODE	1SS133T-77
D503	HVD1SS133MT	DIODE	1SS133T-77
D504	HVD1SS133MT	DIODE	1SS133T-77
D505	HVD1SS133MT	DIODE	1SS133T-77
D581	HVD1SS133MT	DIODE	1SS133T-77
D582	HVD1SS133MT	DIODE	1SS133T-77
D583	HVD1SS133MT	DIODE	1SS133T-77
D584	HVD1SS133MT	DIODE	1SS133T-77
D585	HVD1SS133MT	DIODE	1SS133T-77
D601	HVD1SS133MT	DIODE	1SS133T-77
D801	HVD1SS133MT	DIODE	1SS133T-77
D802	HVD1SS133MT	DIODE	1SS133T-77
D803	HVD1SS133MT	DIODE	1SS133T-77
D804	HVD1SS133MT	DIODE	1SS133T-77
D901	KVD1N4003ST	DIODE	1N4003
D902	HVD1SS133MT	DIODE	1SS133T-77
D911	HVD1SS133MT	DIODE	1SS133T-77
D912	HVD1SS133MT	DIODE	1SS133T-77
D914	HVD1SS133MT	DIODE	1SS133T-77
D917	HVD1SS133MT	DIODE	1SS133T-77
D951	HVD1SS133MT	DIODE	1SS133T-77
D952	HVD1SS133MT	DIODE	1SS133T-77
D953	HVD1SS133MT	DIODE	1SS133T-77
D954	KVD1N4003SRT	DIODE TW	1N4003
D955	KVD1N4003SRT	DIODE TW	1N4003
D961	KVD1N4003ST	DIODE	1N4003
D962	KVD1N4003ST	DIODE	1N4003
D963	KVD1N4003ST	DIODE	1N4003
D964	HVD1SS133MT	DIODE	1SS133T-77

AVR507 MAIN

4/16

Pos	Part number	1st part name	2nd part name
D965	HVD1SS133MT	DIODE	1SS133T-77
D966	HVD1SS133MT	DIODE	1SS133T-77
D967	HVD1SS133MT	DIODE	1SS133T-77
D968	HVD1SS133MT	DIODE	1SS133T-77
D969	HVD1SS133MT	DIODE	1SS133T-77
D971	HVD1SS133MT	DIODE	1SS133T-77
D972	HVD1SS133MT	DIODE	1SS133T-77
D973	HVD1SS133MT	DIODE	1SS133T-77
D974	HVD1SS133MT	DIODE	1SS133T-77
D975	HVD1SS133MT	DIODE	1SS133T-77
D976	HVD1SS133MT	DIODE	1SS133T-77
Q501	HVTKTA1268GRT	T.R	KTA1268GR
Q502	HVTKTA1268GRT	T.R	KTA1268GR
Q503	HVTKTA1268GRT	T.R	KTA1268GR
Q504	HVTKTA1268GRT	T.R	KTA1268GR
Q505	HVTKTA1268GRT	T.R	KTA1268GR
Q511	HVTKTC3200GRT	T.R	KTC3200GR
Q512	HVTKTC3200GRT	T.R	KTC3200GR
Q513	HVTKTC3200GRT	T.R	KTC3200GR
Q514	HVTKTC3200GRT	T.R	KTC3200GR
Q515	HVTKTC3200GRT	T.R	KTC3200GR
Q516	HVTKTC3200GRT	T.R	KTC3200GR
Q517	HVTKTC3200GRT	T.R	KTC3200GR
Q518	HVTKTC3200GRT	T.R	KTC3200GR
Q519	HVTKTC3200GRT	T.R	KTC3200GR
Q520	HVTKTC3200GRT	T.R	KTC3200GR
Q541	HVTKTC3198YT	T.R	
Q542	HVTKTC3198YT	T.R	
Q543	HVTKTC3198YT	T.R	
Q544	HVTKTC3198YT	T.R	
Q545	HVTKTC3198YT	T.R	
Q556	HVTKTC3200GRT	T.R	KTC3200GR
Q557	HVTKTC3200GRT	T.R	KTC3200GR
Q558	HVTKTC3200GRT	T.R	KTC3200GR
Q559	HVTKTC3200GRT	T.R	KTC3200GR
Q560	HVTKTC3200GRT	T.R	KTC3200GR
Q561	HVTKTC3200GRT	T.R	KTC3200GR
Q562	HVTKTC3200GRT	T.R	KTC3200GR
Q563	HVTKTC3200GRT	T.R	KTC3200GR
Q564	HVTKTC3200GRT	T.R	KTC3200GR
Q565	HVTKTC3200GRT	T.R	KTC3200GR
Q601	HVTKTA1268GRT	T.R	KTA1268GR
Q602	HVTKTA1268GRT	T.R	KTA1268GR
Q603	HVTKTA1268GRT	T.R	KTA1268GR
Q604	HVTKTA1268GRT	T.R	KTA1268GR
Q605	HVTKTA1268GRT	T.R	KTA1268GR

AVR507 MAIN

AVR507 MAIN			
			5/16
Pos	Part number	1st part name	2nd part name
Q681	KVTKSC2785YT	T.R	KSC2785Y
Q682	KVTKSC2785YT	T.R	KSC2785Y
Q683	KVTKSC2785YT	T.R	KSC2785Y
Q684	KVTKSC2785YT	T.R	KSC2785Y
Q685	KVTKSC2785YT	T.R	KSC2785Y
Q701	HVTKTC2874BT	T.R , MUTE	KTC2874B
Q702	HVTKTC2874BT	T.R , MUTE	KTC2874B
Q703	HVTKTC2874BT	T.R , MUTE	KTC2874B
Q704	HVTKTC2874BT	T.R , MUTE	KTC2874B
Q705	HVTKTC2874BT	T.R , MUTE	KTC2874B
Q706	HVTKTC2874BT	T.R , MUTE	KTC2874B
Q707	HVTKTC2874BT	T.R , MUTE	KTC2874B
Q708	HVTKTC2874BT	T.R , MUTE	KTC2874B
Q801	KVTKSC2785YT	T.R	KSC2785Y
Q802	KVTKSC2785YT	T.R	KSC2785Y
Q812	HVTKTA1268GRT	T.R	KTA1268GR
Q813	HVTKTC3200GRT	T.R	KTC3200GR
Q814	HVTKTA1268GRT	T.R	KTA1268GR
Q815	HVTKTC3200GRT	T.R	KTC3200GR
Q816	HVTKTA1268GRT	T.R	KTA1268GR
Q817	HVTKTA1268GRT	T.R	KTA1268GR
Q818	HVTKTC3200GRT	T.R	KTC3200GR
Q819	HVTKTC3200GRT	T.R	KTC3200GR
Q820	HVTKTC3200GRT	T.R	KTC3200GR
Q821	HVTKTC3200GRT	T.R	KTC3200GR
Q822	HVTKTC3200GRT	T.R	KTC3200GR
Q823	HVTKTC3200GRT	T.R	KTC3200GR
Q824	HVTKTC3198YT	T.R	
Q825	HVTKTC3198YT	T.R	
Q826	HVTKTC2874BT	T.R , MUTE	KTC2874B
Q827	HVTKTC2874BT	T.R , MUTE	KTC2874B
Q901	KVTKSC2785YT	T.R	KSC2785Y
Q902	HVTKRA107MT	T.R	KRA107M
Q903	HVTKRA107MT	T.R	KRA107M
Q904	HVTKRC107MT	T.R	KRC107M
Q911	HVTKTA1271YT	T.R	KTA1271Y
Q912	HVTKTA1271YT	T.R	KTA1271Y
Q913	HVTKTA1271YT	T.R	KTA1271Y
Q914	HVTKTA1271YT	T.R	KTA1271Y
Q915	KVTKSC2785YT	T.R	KSC2785Y
Q916	KVTKSC2785YT	T.R	KSC2785Y
Q917	KVTKSC2785YT	T.R	KSC2785Y
Q918	KVTKSC2785YT	T.R	KSC2785Y
Q938	HVTKRA107MT	T.R	KRA107M
Q939	HVTKRA107MT	T.R	KRA107M
Q942	KVTKSC2785YT	T.R	KSC2785Y

AVR507 MAIN

AVR507 MAIN			
			6/16
Pos	Part number	1st part name	2nd part name
Q943	KVTKSC2785YT	T.R	KSC2785Y
Q951	HVTKRC107MT	T.R	KRC107M
Q952	HVTKRA107MT	T.R	KRA107M
Q960	HVTKRC107MT	T.R	KRC107M
Q961	HVTKTA1024YT	T.R	
Q969	HVTKTC2874BT	T.R , MUTE	KTC2874B
Q970	HVTKTC2874BT	T.R , MUTE	KTC2874B
Q971	HVTKTC2874BT	T.R , MUTE	KTC2874B
Q972	HVTKTC2874BT	T.R , MUTE	KTC2874B
Q973	HVTKTC2874BT	T.R , MUTE	KTC2874B
Q991	HVTKRC107MT	T.R	KRC107M
Q992	HVTKRA107MT	T.R	KRA107M
Q993	HVTKRA107MT	T.R	KRA107M
Q994	HVTKRC107MT	T.R	KRC107M
Q995	HVTKRA107MT	T.R	KRA107M
R501	CRD20TJ433T	RES , CARBON	43K OHM 1/5W J
R502	CRD20TJ433T	RES , CARBON	43K OHM 1/5W J
R503	CRD20TJ433T	RES , CARBON	43K OHM 1/5W J
R504	CRD20TJ433T	RES , CARBON	43K OHM 1/5W J
R505	CRD20TJ433T	RES , CARBON	43K OHM 1/5W J
R506	CRD20TJ333T	RES , CARBON	33K OHM 1/5W J
R507	CRD20TJ333T	RES , CARBON	33K OHM 1/5W J
R508	CRD20TJ333T	RES , CARBON	33K OHM 1/5W J
R509	CRD20TJ333T	RES , CARBON	33K OHM 1/5W J
R510	CRD20TJ333T	RES , CARBON	33K OHM 1/5W J
R511	CRD20TJ152T	RES , CARBON	1.5K OHM 1/5W J
R512	CRD20TJ152T	RES , CARBON	1.5K OHM 1/5W J
R513	CRD20TJ152T	RES , CARBON	1.5K OHM 1/5W J
R514	CRD20TJ152T	RES , CARBON	1.5K OHM 1/5W J
R515	CRD20TJ152T	RES , CARBON	1.5K OHM 1/5W J
R516	CRD20TJ152T	RES , CARBON	1.5K OHM 1/5W J
R517	CRD20TJ152T	RES , CARBON	1.5K OHM 1/5W J
R518	CRD20TJ152T	RES , CARBON	1.5K OHM 1/5W J
R519	CRD20TJ152T	RES , CARBON	1.5K OHM 1/5W J
R520	CRD20TJ152T	RES , CARBON	1.5K OHM 1/5W J
R521	CRD20TJ471T	RES , CARBON	470 OHM 1/5W J
R522	CRD20TJ471T	RES , CARBON	470 OHM 1/5W J
R523	CRD20TJ471T	RES , CARBON	470 OHM 1/5W J
R524	CRD20TJ471T	RES , CARBON	470 OHM 1/5W J
R525	CRD20TJ471T	RES , CARBON	470 OHM 1/5W J
R531	CRD20TJ221T	RES , CARBON	220 OHM 1/5W J
R532	CRD20TJ221T	RES , CARBON	220 OHM 1/5W J
R533	CRD20TJ221T	RES , CARBON	220 OHM 1/5W J
R534	CRD20TJ221T	RES , CARBON	220 OHM 1/5W J
R535	CRD20TJ221T	RES , CARBON	220 OHM 1/5W J
R536	CRD20TJ221T	RES , CARBON	220 OHM 1/5W J

AVR507 MAIN

AVR507 MAIN			
			7/16
Pos	Part number	1st part name	2nd part name
R537	CRD20TJ221T	RES , CARBON	220 OHM 1/5W J
R538	CRD20TJ221T	RES , CARBON	220 OHM 1/5W J
R539	CRD20TJ221T	RES , CARBON	220 OHM 1/5W J
R540	CRD20TJ221T	RES , CARBON	220 OHM 1/5W J
R541	CRD20TJ271T	RES , CARBON	270 OHM 1/5W J
R542	CRD20TJ271T	RES , CARBON	270 OHM 1/5W J
R543	CRD20TJ271T	RES , CARBON	270 OHM 1/5W J
R544	CRD20TJ271T	RES , CARBON	270 OHM 1/5W J
R545	CRD20TJ271T	RES , CARBON	270 OHM 1/5W J
R556	CRD20TJ273T	RES , CARBON	27K OHM 1/5W J
R557	CRD20TJ273T	RES , CARBON	27K OHM 1/5W J
R558	CRD20TJ273T	RES , CARBON	27K OHM 1/5W J
R559	CRD20TJ273T	RES , CARBON	27K OHM 1/5W J
R560	CRD20TJ273T	RES , CARBON	27K OHM 1/5W J
R561	CRD20TJ182T	RES , CARBON	1.8K OHM 1/5W J
R562	CRD20TJ182T	RES , CARBON	1.8K OHM 1/5W J
R563	CRD20TJ182T	RES , CARBON	1.8K OHM 1/5W J
R564	CRD20TJ182T	RES , CARBON	1.8K OHM 1/5W J
R565	CRD20TJ182T	RES , CARBON	1.8K OHM 1/5W J
R566	CRD20TJ561T	RES , CARBON	560 OHM 1/5W J
R567	CRD20TJ561T	RES , CARBON	560 OHM 1/5W J
R568	CRD20TJ561T	RES , CARBON	560 OHM 1/5W J
R569	CRD20TJ561T	RES , CARBON	560 OHM 1/5W J
R570	CRD20TJ561T	RES , CARBON	560 OHM 1/5W J
R571	CRD20TJ561T	RES , CARBON	560 OHM 1/5W J
R572	CRD20TJ561T	RES , CARBON	560 OHM 1/5W J
R573	CRD20TJ561T	RES , CARBON	560 OHM 1/5W J
R574	CRD20TJ561T	RES , CARBON	560 OHM 1/5W J
R575	CRD20TJ561T	RES , CARBON	560 OHM 1/5W J
R576	CRD20TJ100T	RES , CARBON	10 OHM 1/5W J
R577	CRD20TJ100T	RES , CARBON	10 OHM 1/5W J
R578	CRD20TJ100T	RES , CARBON	10 OHM 1/5W J
R579	CRD20TJ100T	RES , CARBON	10 OHM 1/5W J
R580	CRD20TJ100T	RES , CARBON	10 OHM 1/5W J
R581	CRD20TJ561T	RES , CARBON	560 OHM 1/5W J
R582	CRD20TJ561T	RES , CARBON	560 OHM 1/5W J
R583	CRD20TJ561T	RES , CARBON	560 OHM 1/5W J
R584	CRD20TJ561T	RES , CARBON	560 OHM 1/5W J
R585	CRD20TJ561T	RES , CARBON	560 OHM 1/5W J
R586	CRD20TJ561T	RES , CARBON	560 OHM 1/5W J
R587	CRD20TJ561T	RES , CARBON	560 OHM 1/5W J
R588	CRD20TJ561T	RES , CARBON	560 OHM 1/5W J
R589	CRD20TJ561T	RES , CARBON	560 OHM 1/5W J
R590	CRD20TJ561T	RES , CARBON	560 OHM 1/5W J
R591	CRD20TJ561T	RES , CARBON	560 OHM 1/5W J
R592	CRD20TJ561T	RES , CARBON	560 OHM 1/5W J

AVR507 MAIN

8/16			
Pos	Part number	1st part name	2nd part name
R593	CRD20TJ561T	RES , CARBON	560 OHM 1/5W J
R594	CRD20TJ561T	RES , CARBON	560 OHM 1/5W J
R595	CRD20TJ561T	RES , CARBON	560 OHM 1/5W J
R596	CRD20TJ561T	RES , CARBON	560 OHM 1/5W J
R597	CRD20TJ561T	RES , CARBON	560 OHM 1/5W J
R598	CRD20TJ561T	RES , CARBON	560 OHM 1/5W J
R599	CRD20TJ561T	RES , CARBON	560 OHM 1/5W J
R600	CRD20TJ561T	RES , CARBON	560 OHM 1/5W J
R601	CRD20TJ223T	RES , CARBON	22K OHM 1/5W J
R602	CRD20TJ223T	RES , CARBON	22K OHM 1/5W J
R603	CRD20TJ223T	RES , CARBON	22K OHM 1/5W J
R604	CRD20TJ223T	RES , CARBON	22K OHM 1/5W J
R605	CRD20TJ223T	RES , CARBON	22K OHM 1/5W J
R606	CRD20TJ223T	RES , CARBON	22K OHM 1/5W J
R607	CRD20TJ223T	RES , CARBON	22K OHM 1/5W J
R608	CRD20TJ223T	RES , CARBON	22K OHM 1/5W J
R609	CRD20TJ223T	RES , CARBON	22K OHM 1/5W J
R610	CRD20TJ223T	RES , CARBON	22K OHM 1/5W J
R611	CRD20TJ100T	RES , CARBON	10 OHM 1/5W J
R612	CRD20TJ100T	RES , CARBON	10 OHM 1/5W J
R631	KRD25FJ180T	RES , CARBON	
R632	KRD25FJ180T	RES , CARBON	
R633	KRD25FJ180T	RES , CARBON	
R634	KRD25FJ180T	RES , CARBON	
R635	KRD25FJ180T	RES , CARBON	
R636	KRD25FJ180T	RES , CARBON	
R637	KRD25FJ180T	RES , CARBON	
R638	KRD25FJ180T	RES , CARBON	
R639	KRD25FJ180T	RES , CARBON	
R640	KRD25FJ180T	RES , CARBON	
R646	KRD25FJ3R3T	RES , CARBON	
R647	KRD25FJ3R3T	RES , CARBON	
R648	KRD25FJ3R3T	RES , CARBON	
R649	KRD25FJ3R3T	RES , CARBON	
R650	KRD25FJ3R3T	RES , CARBON	
R651	KRD25FJ3R3T	RES , CARBON	
R652	KRD25FJ3R3T	RES , CARBON	
R653	KRD25FJ3R3T	RES , CARBON	
R654	KRD25FJ3R3T	RES , CARBON	
R655	KRD25FJ3R3T	RES , CARBON	
R666	CRD25TJ470T	RES , CARBON	
R667	CRD25TJ470T	RES , CARBON	
R668	CRD25TJ470T	RES , CARBON	
R669	CRD25TJ470T	RES , CARBON	
R670	CRD25TJ470T	RES , CARBON	
R671	CRD20TJ911T	RES , CARBON	910 OHM 1/5W J

AVR507 MAIN

AVR507 MAIN			
			9/16
Pos	Part number	1st part name	2nd part name
R672	CRD20TJ911T	RES , CARBON	910 OHM 1/5W J
R673	CRD20TJ911T	RES , CARBON	910 OHM 1/5W J
R674	CRD20TJ911T	RES , CARBON	910 OHM 1/5W J
R675	CRD20TJ911T	RES , CARBON	910 OHM 1/5W J
R676	CRD20TJ182T	RES , CARBON	1.8K OHM 1/5W J
R677	CRD20TJ182T	RES , CARBON	1.8K OHM 1/5W J
R678	CRD20TJ182T	RES , CARBON	1.8K OHM 1/5W J
R679	CRD20TJ182T	RES , CARBON	1.8K OHM 1/5W J
R680	CRD20TJ182T	RES , CARBON	1.8K OHM 1/5W J
R681	CRD20TJ562T	RES , CARBON	5.6K OHM 1/5W J
R682	CRD20TJ562T	RES , CARBON	5.6K OHM 1/5W J
R683	CRD20TJ562T	RES , CARBON	5.6K OHM 1/5W J
R684	CRD20TJ562T	RES , CARBON	5.6K OHM 1/5W J
R685	CRD20TJ562T	RES , CARBON	5.6K OHM 1/5W J
R686	CRD20TJ103T	RES , CARBON	10K OHM 1/5W J
R687	CRD20TJ103T	RES , CARBON	10K OHM 1/5W J
R688	CRD20TJ103T	RES , CARBON	10K OHM 1/5W J
R689	CRD20TJ103T	RES , CARBON	10K OHM 1/5W J
R690	CRD20TJ103T	RES , CARBON	10K OHM 1/5W J
R696	CRD25TJ470T	RES , CARBON	
R697	CRD25TJ470T	RES , CARBON	
R698	CRD25TJ470T	RES , CARBON	
R699	CRD25TJ470T	RES , CARBON	
R700	CRD25TJ470T	RES , CARBON	
R701	CRD20TJ102T	RES , CARBON	1K OHM 1/5W J
R702	CRD20TJ102T	RES , CARBON	1K OHM 1/5W J
R703	CRD20TJ102T	RES , CARBON	1K OHM 1/5W J
R704	CRD20TJ102T	RES , CARBON	1K OHM 1/5W J
R705	CRD20TJ102T	RES , CARBON	1K OHM 1/5W J
R706	CRD20TJ102T	RES , CARBON	1K OHM 1/5W J
R707	CRD20TJ102T	RES , CARBON	1K OHM 1/5W J
R708	CRD20TJ102T	RES , CARBON	1K OHM 1/5W J
R711	CRD20TJ472T	RES , CARBON	4.7K OHM 1/5W J
R712	CRD20TJ472T	RES , CARBON	4.7K OHM 1/5W J
R713	CRD20TJ472T	RES , CARBON	4.7K OHM 1/5W J
R714	CRD20TJ472T	RES , CARBON	4.7K OHM 1/5W J
R715	CRD20TJ472T	RES , CARBON	4.7K OHM 1/5W J
R716	CRD20TJ472T	RES , CARBON	4.7K OHM 1/5W J
R717	CRD20TJ472T	RES , CARBON	4.7K OHM 1/5W J
R718	CRD20TJ472T	RES , CARBON	4.7K OHM 1/5W J
R721	CRD20TJ104T	RES , CARBON	100K OHM 1/5W J
R722	CRD20TJ104T	RES , CARBON	100K OHM 1/5W J
R723	CRD20TJ104T	RES , CARBON	100K OHM 1/5W J
R724	CRD20TJ104T	RES , CARBON	100K OHM 1/5W J
R725	CRD20TJ104T	RES , CARBON	100K OHM 1/5W J
R726	CRD20TJ104T	RES , CARBON	100K OHM 1/5W J

AVR507 MAIN

AVR507 MAIN			
			10/16
Pos	Part number	1st part name	2nd part name
R727	CRD20TJ104T	RES , CARBON	100K OHM 1/5W J
R728	CRD20TJ104T	RES , CARBON	100K OHM 1/5W J
R771	CRD20TJ750T	RES , CARBON	75 OHM 1/5W J
R772	CRD20TJ750T	RES , CARBON	75 OHM 1/5W J
R773	CRD20TJ750T	RES , CARBON	75 OHM 1/5W J
R774	CRD20TJ750T	RES , CARBON	75 OHM 1/5W J
R775	CRD20TJ750T	RES , CARBON	75 OHM 1/5W J
R776	CRD20TJ750T	RES , CARBON	75 OHM 1/5W J
R777	CRD20TJ750T	RES , CARBON	75 OHM 1/5W J
R781	CRD20TJ750T	RES , CARBON	75 OHM 1/5W J
R782	CRD20TJ750T	RES , CARBON	75 OHM 1/5W J
R783	CRD20TJ750T	RES , CARBON	75 OHM 1/5W J
R784	CRD20TJ750T	RES , CARBON	75 OHM 1/5W J
R785	CRD20TJ750T	RES , CARBON	75 OHM 1/5W J
R786	CRD20TJ750T	RES , CARBON	75 OHM 1/5W J
R787	CRD20TJ750T	RES , CARBON	75 OHM 1/5W J
R801	CRD20TJ103T	RES , CARBON	10K OHM 1/5W J
R802	CRD20TJ103T	RES , CARBON	10K OHM 1/5W J
R803	CRD20TJ562T	RES , CARBON	5.6K OHM 1/5W J
R804	CRD20TJ562T	RES , CARBON	5.6K OHM 1/5W J
R805	CRD20TJ911T	RES , CARBON	910 OHM 1/5W J
R807	CRD20TJ911T	RES , CARBON	910 OHM 1/5W J
R808	CRD20TJ182T	RES , CARBON	1.8K OHM 1/5W J
R809	CRD20TJ182T	RES , CARBON	1.8K OHM 1/5W J
R812	CRD25TJ470T	RES , CARBON	
R813	CRD25TJ470T	RES , CARBON	
R814	CRD25TJ470T	RES , CARBON	
R815	CRD25TJ470T	RES , CARBON	
R817	KRD25FJ3R3T	RES , CARBON	
R818	KRD25FJ3R3T	RES , CARBON	
R819	KRD25FJ3R3T	RES , CARBON	
R820	KRD25FJ3R3T	RES , CARBON	
R821	KRD25FJ180T	RES , CARBON	
R822	KRD25FJ180T	RES , CARBON	
R823	KRD25FJ180T	RES , CARBON	
R824	KRD25FJ180T	RES , CARBON	
R830	CRD20TJ223T	RES , CARBON	22K OHM 1/5W J
R831	CRD20TJ223T	RES , CARBON	22K OHM 1/5W J
R832	CRD20TJ223T	RES , CARBON	22K OHM 1/5W J
R833	CRD20TJ223T	RES , CARBON	22K OHM 1/5W J
R834	CRD20TJ561T	RES , CARBON	560 OHM 1/5W J
R835	CRD20TJ561T	RES , CARBON	560 OHM 1/5W J
R836	CRD20TJ561T	RES , CARBON	560 OHM 1/5W J
R837	CRD20TJ561T	RES , CARBON	560 OHM 1/5W J
R838	CRD20TJ561T	RES , CARBON	560 OHM 1/5W J
R839	CRD20TJ561T	RES , CARBON	560 OHM 1/5W J

AVR507 MAIN

AVR507 MAIN			
			11/16
Pos	Part number	1st part name	2nd part name
R840	CRD20TJ561T	RES , CARBON	560 OHM 1/5W J
R841	CRD20TJ561T	RES , CARBON	560 OHM 1/5W J
R842	CRD20TJ561T	RES , CARBON	560 OHM 1/5W J
R843	CRD20TJ561T	RES , CARBON	560 OHM 1/5W J
R844	CRD20TJ561T	RES , CARBON	560 OHM 1/5W J
R845	CRD20TJ561T	RES , CARBON	560 OHM 1/5W J
R848	CRD20TJ273T	RES , CARBON	27K OHM 1/5W J
R849	CRD20TJ273T	RES , CARBON	27K OHM 1/5W J
R850	CRD20TJ182T	RES , CARBON	1.8K OHM 1/5W J
R851	CRD20TJ182T	RES , CARBON	1.8K OHM 1/5W J
R852	CRD20TJ152T	RES , CARBON	1.5K OHM 1/5W J
R853	CRD20TJ152T	RES , CARBON	1.5K OHM 1/5W J
R854	CRD20TJ152T	RES , CARBON	1.5K OHM 1/5W J
R855	CRD20TJ152T	RES , CARBON	1.5K OHM 1/5W J
R856	CRD20TJ221T	RES , CARBON	220 OHM 1/5W J
R857	CRD20TJ221T	RES , CARBON	220 OHM 1/5W J
R858	CRD20TJ221T	RES , CARBON	220 OHM 1/5W J
R859	CRD20TJ221T	RES , CARBON	220 OHM 1/5W J
R860	CRD20TJ271T	RES , CARBON	270 OHM 1/5W J
R861	CRD20TJ271T	RES , CARBON	270 OHM 1/5W J
R862	CRD20TJ333T	RES , CARBON	33K OHM 1/5W J
R863	CRD20TJ333T	RES , CARBON	33K OHM 1/5W J
R864	CRD20TJ331T	RES , CARBON	330 OHM 1/5W J
R865	CRD20TJ331T	RES , CARBON	330 OHM 1/5W J
R866	CRD20TJ472T	RES , CARBON	4.7K OHM 1/5W J
R867	CRD25TJ472T	RES , CARBON	
R868	CRD20TJ473T	RES , CARBON	47K OHM 1/5W J
R869	CRD20TJ473T	RES , CARBON	47K OHM 1/5W J
R870	CRD20TJ433T	RES , CARBON	43K OHM 1/5W J
R871	CRD20TJ433T	RES , CARBON	43K OHM 1/5W J
R872	CRD20TJ471T	RES , CARBON	470 OHM 1/5W J
R873	CRD20TJ471T	RES , CARBON	470 OHM 1/5W J
R900	CRD20TJ103T	RES , CARBON	10K OHM 1/5W J
R901	CRD25TJ393T	RES , CARBON	
R902	CRD25TJ393T	RES , CARBON	
R903	CRD25TJ393T	RES , CARBON	
R906	CRD25TJ393T	RES , CARBON	
R907	CRD20TJ103T	RES , CARBON	10K OHM 1/5W J
R908	CRD20TJ105T	RES , CARBON	1M OHM 1/5W J
R909	CRD20TJ682T	RES , CARBON	6.8K OHM 1/5W J
R910	CRD20TJ105T	RES , CARBON	1M OHM 1/5W J
R911	CRD25TJ680T	RES , CARBON	68 OHM 1/4W J
R915	CRD20TJ470T	RES , CARBON	47 OHM 1/5W J
R916	CRD20TJ473T	RES , CARBON	47K OHM 1/5W J
R917	CRD25TJ393T	RES , CARBON	
R918	CRD25TJ393T	RES , CARBON	

AVR507 MAIN

AVR507 MAIN			
			12/16
Pos	Part number	1st part name	2nd part name
R919	CRD25TJ393T	RES , CARBON	
R920	CRD25TJ393T	RES , CARBON	
R921	KRD25FJ180T	RES , CARBON	
R922	CRD25TJ470T	RES , CARBON	
R924	CRD20TJ473T	RES , CARBON	47K OHM 1/5W J
R925	CRD20TJ473T	RES , CARBON	47K OHM 1/5W J
R926	CRD20TJ473T	RES , CARBON	47K OHM 1/5W J
R927	CRD20TJ473T	RES , CARBON	47K OHM 1/5W J
R928	CRD20TJ222T	RES , CARBON	2.2K OHM 1/5W J
R929	CRD20TJ222T	RES , CARBON	2.2K OHM 1/5W J
R930	CRD20TJ222T	RES , CARBON	2.2K OHM 1/5W J
R931	CRD20TJ222T	RES , CARBON	2.2K OHM 1/5W J
R932	CRD20TJ103T	RES , CARBON	10K OHM 1/5W J
R933	CRD20TJ472T	RES , CARBON	4.7K OHM 1/5W J
R934	CRD20TJ104T	RES , CARBON	100K OHM 1/5W J
R935	CRD20TJ154T	RES , CARBON	
R936	CRD20TJ184T	RES , CARBON	
R937	CRD20TJ103T	RES , CARBON	10K OHM 1/5W J
R938	CRD20TJ271T	RES , CARBON	270 OHM 1/5W J
R939	CRD20TJ472T	RES , CARBON	4.7K OHM 1/5W J
R940	CRD20TJ152T	RES , CARBON	1.5K OHM 1/5W J
R941	CRD20TJ223T	RES , CARBON	22K OHM 1/5W J
R942	CRD20TJ223T	RES , CARBON	22K OHM 1/5W J
R943	CRD20TJ223T	RES , CARBON	22K OHM 1/5W J
R944	CRD25TJ223T	RES , CARBON	22K OHM 1/4W J
R945	CRD20TJ223T	RES , CARBON	22K OHM 1/5W J
R946	CRD25TJ223T	RES , CARBON	22K OHM 1/4W J
R947	CRD20TJ223T	RES , CARBON	22K OHM 1/5W J
R948	CRD20TJ271T	RES , CARBON	270 OHM 1/5W J
R949	CRD20TJ331T	RES , CARBON	330 OHM 1/5W J
R950	CRD20TJ273T	RES , CARBON	27K OHM 1/5W J
R951	CRD20TJ103T	RES , CARBON	10K OHM 1/5W J
R952	CRD20TJ223T	RES , CARBON	22K OHM 1/5W J
R953	CRD20TJ223T	RES , CARBON	22K OHM 1/5W J
R954	CRD20TJ223T	RES , CARBON	22K OHM 1/5W J
R955	CRD20TJ203T	RES , CARBON	
R956	CRD20TJ394T	RES , CARBON	
R957	CRD20TJ153T	RES , CARBON	15K OHM 1/5W J
R958	CRD20TJ563T	RES , CARBON	56K OHM 1/5W J
R959	CRD20TJ223T	RES , CARBON	22K OHM 1/5W J
R960	CRD20TJ222T	RES , CARBON	2.2K OHM 1/5W J
R961	CRD20TJ331T	RES , CARBON	330 OHM 1/5W J
R962	CRD20TJ273T	RES , CARBON	27K OHM 1/5W J
R963	CRD20TJ105T	RES , CARBON	1M OHM 1/5W J
R964	CRD20TJ105T	RES , CARBON	1M OHM 1/5W J
R966	CRD20TJ472T	RES , CARBON	4.7K OHM 1/5W J

AVR507 MAIN			
			13/16
Pos	Part number	1st part name	2nd part name
R969	CRD20TJ472T	RES , CARBON	4.7K OHM 1/5W J
R970	CRD20TJ472T	RES , CARBON	4.7K OHM 1/5W J
R971	CRD20TJ472T	RES , CARBON	4.7K OHM 1/5W J
R972	CRD20TJ472T	RES , CARBON	4.7K OHM 1/5W J
R973	CRD20TJ472T	RES , CARBON	4.7K OHM 1/5W J
R974	CRD20TJ331T	RES , CARBON	330 OHM 1/5W J
R975	CRD20TJ331T	RES , CARBON	330 OHM 1/5W J
R976	CRD20TJ331T	RES , CARBON	330 OHM 1/5W J
R977	CRD20TJ331T	RES , CARBON	330 OHM 1/5W J
R978	CRD20TJ331T	RES , CARBON	330 OHM 1/5W J
R979	CRD20TJ473T	RES , CARBON	47K OHM 1/5W J
R980	CRD20TJ473T	RES , CARBON	47K OHM 1/5W J
R981	CRD20TJ473T	RES , CARBON	47K OHM 1/5W J
R982	CRD20TJ473T	RES , CARBON	47K OHM 1/5W J
R983	CRD20TJ473T	RES , CARBON	47K OHM 1/5W J
R986	CRD20TJ102T	RES , CARBON	1K OHM 1/5W J
R987	CRD20TJ561T	RES , CARBON	560 OHM 1/5W J
R988	CRD20TJ562T	RES , CARBON	5.6K OHM 1/5W J
R989	CRD20TJ333T	RES , CARBON	33K OHM 1/5W J
R991	CRD20TJ822T	RES , CARBON	8.2K OHM 1/5W J
R992	CRD20TJ562T	RES , CARBON	5.6K OHM 1/5W J
R998	CRD20TJ103T	RES , CARBON	10K OHM 1/5W J
	CMD1A387	BRACKET , PCB	
	CMYAVR330CC	HEAT SINK ASS'Y	
	CHD1A012Z	SCREW , SPECIAL	
	CHD1A036FZ	SCREW , SPECIAL	
	CMD1A398	BRACKET , PCB	
	CMD1A417	BRACKET , PCB	
	CMD1A488	BRACKET , FAN	
	CMY1A205	HEAT SINK	
	CTB3+8J	SCREW	
	CTW3+10J	SCREW	
	CTW3+12J	SCREW	
	HDMKD1206PTS3	MOTOR , FAN(60X60X25MM)	KD1206PTS3
	K8AYG6260	COMPOUND , SILICONE	
Q652	BVT2SB1647-OKM	T.R , POWER	2SB1647
Q653	BVT2SB1647-OKM	T.R , POWER	2SB1647
Q654	BVT2SB1647-OKM	T.R , POWER	2SB1647
Q655	BVT2SB1647-OKM	T.R , POWER	2SB1647
Q657	BVT2SD2560-OKM	T.R , POWER	2SD2560
Q658	BVT2SD2560-OKM	T.R , POWER	2SD2560
Q659	BVT2SD2560-OKM	T.R , POWER	2SD2560
Q660	BVT2SD2560-OKM	T.R , POWER	2SD2560
Q661	BVT2SB1647-OKM	T.R , POWER	2SB1647
Q670	BVT2SD2560-OKM	T.R , POWER	2SD2560
Q803	BVT2SD2560-OKM	T.R , POWER	2SD2560

AVR507 MAIN			
			14/16
Pos	Part number	1st part name	2nd part name
Q804	BVT2SB1647-OKM	T.R , POWER	2SB1647
Q805	BVT2SD2560-OKM	T.R , POWER	2SD2560
Q807	BVT2SB1647-OKM	T.R , POWER	2SB1647
	CTW3+8J	SCREW	
BN19	CWB3FE03250UP	WIRE ASS'Y	
BN20	CWB3FB43280UP	WIRE ASS'Y	
BN79	CWZAVR230BN79	WIRE ASS'Y (SHIELD)	
BN81	CWB1C902050EN	WIRE ASS'Y	
BN82	CWB1C902050EN	WIRE ASS'Y	
BN83	CWB1C902050EN	WIRE ASS'Y	
BN84	CWB1C902050EN	WIRE ASS'Y	
BN85	CWB1C902050EN	WIRE ASS'Y	
BN86	CWB1C902050EN	WIRE ASS'Y	
BN87	CWB1C902050EN	WIRE ASS'Y	
BN88	CWB2B904070EN	WIRE ASS'Y	
BN98	BJP08GA130ZK	WAFER	
CN61	KJP02GA01ZM	WAFER	MOLEX 5267-02A
CN62	KJP02GA01ZM	WAFER	MOLEX 5267-02A
CN63	KJP02GA01ZM	WAFER	MOLEX 5267-02A
CN64	KJP02GA01ZM	WAFER	MOLEX 5267-02A
CN65	KJP02GA01ZM	WAFER	MOLEX 5267-02A
CN66	KJP02GA01ZM	WAFER	MOLEX 5267-02A
CN67	KJP02GA01ZM	WAFER	MOLEX 5267-02A
CN80	KJP11GA19ZM	WAFER	MOLEX-53014
CN88	KJP02GA19ZM	WAFER	
CN89	KJP02GA01ZM	WAFER	MOLEX 5267-02A
CN91	KJP03GA89ZM	WAFER	MOLEX35328-0310
CN92	KJP02GA01ZM	WAFER	MOLEX 5267-02A
CN94	KJP13GA98ZM	WAFER	MOLEX35336-1310
CN95	KJP08GA98ZM	WAFER	MOLEX35336-0810
C631	CCEA1JH471E	CAP , ELECT	
C632	CCEA1JH471E	CAP , ELECT	
C633	CCEA1JH471E	CAP , ELECT	
C634	CCEA1JH471E	CAP , ELECT	
C635	CCEA1JH471E	CAP , ELECT	
C636	CCEA1JH471E	CAP , ELECT	
C637	CCEA1JH471E	CAP , ELECT	
C638	CCEA1JH471E	CAP , ELECT	
C639	CCEA1JH471E	CAP , ELECT	
C640	CCEA1JH471E	CAP , ELECT	
C807	CCEA1JH471E	CAP , ELECT	
C808	CCEA1JH471E	CAP , ELECT	
C809	CCEA1JH471E	CAP , ELECT	
C810	CCEA1JH471E	CAP , ELECT	
C902	CCET50VKL4822NK	CAP , ELECT	8200UF/50V
C904	KCKDKS472ME	CAP , CERAMIC(X1/Y2/SC)	0.0047UF/2.5KV

AVR507 MAIN			
			15/16
Pos	Part number	1st part name	2nd part name
C906	HCEA1EH102E	CAP , ELECT	1000UF 25V
C909	CCET50VKL4822NK	CAP , ELECT	8200UF/50V
C915	CCET50VKL4103NK	CAP , ELECT	10000UF/50V
C916	CCET50VKL4103NK	CAP , ELECT	10000UF/50V
ET01	CNE75	PLATE , EARTH	
ET02	CMD1A387	BRACKET , PCB	
ET03	CNE75	PLATE , EARTH	
ET04	CMD1A387	BRACKET , PCB	
ET05	CMD1A387	BRACKET , PCB	
IC94	HVIMC7805C	I.C, REGULATOR	KA7805-ABTU
IC95	BVIKP1010B	IC, PHOTO COUPLER	
IC96	BVIKP1010B	IC, PHOTO COUPLER	
JK91	CJJ5R006Z	TERMINAL , SPEAKER	
JK92	CJJ5Q012Z	TERMINAL , SPEAKER	
JK94	CJJ2D008Z	JACK , STEREO	
JK95	CJJ2D008Z	JACK , STEREO	
JK96	CJJ2D008Z	JACK , STEREO	
JK97	CJJ4P041W	JACK IN/OUT	
JK98	CJJ4P042W	JACK IN/OUT	
JW90	CWEE212120VV	WIRE ASS'Y	
JW91	CWE8212180VV	WIRE ASS'Y	
JW93	CWE7202110AA	WIRE ASS'Y	
JW98	CWE7202110AA	WIRE ASS'Y	
JW99	CWE8202150AA	WIRE ASS'Y	
L501	CLEY0R5KAK	COIL , SPEAKER	0.5UH K
L502	CLEY0R5KAK	COIL , SPEAKER	0.5UH K
L503	CLEY0R5KAK	COIL , SPEAKER	0.5UH K
L504	CLEY0R5KAK	COIL , SPEAKER	0.5UH K
L505	CLEY0R5KAK	COIL , SPEAKER	0.5UH K
L506	CLEY0R5KAK	COIL , SPEAKER	0.5UH K
L507	CLEY0R5KAK	COIL , SPEAKER	0.5UH K
Q858	HVT2SA1360O	T.R	2SA1360O
Q871	HVT2SA1360O	T.R	2SA1360O
Q872	HVT2SA1360O	T.R	2SA1360O
Q874	HVT2SA1360O	T.R	2SA1360O
Q875	HVT2SA1360O	T.R	2SA1360O
Q876	HVT2SA1360O	T.R	2SA1360O
Q877	HVT2SA1360O	T.R	2SA1360O
Q881	HVT2SC3423O	T.R	2SC3423O
Q882	HVT2SC3423O	T.R	2SC3423O
Q883	HVT2SC3423O	T.R	2SC3423O
Q884	HVT2SC3423O	T.R	2SC3423O
Q885	HVT2SC3423O	T.R	2SC3423O
Q886	HVT2SC3423O	T.R	2SC3423O
Q887	HVT2SC3423O	T.R	2SC3423O
RY94	HSL1A008ZE	RELAY	SDT-S-112DMR

AVR507 MAIN

AVR507 MAIN			
			16/16
Pos	Part number	1st part name	2nd part name
R656	CRF5EKR27HX2	RES , CEMENT	0.27OHM(*2) ,5W
R657	CRF5EKR27HX2	RES , CEMENT	0.27OHM(*2) ,5W
R658	CRF5EKR27HX2	RES , CEMENT	0.27OHM(*2) ,5W
R659	CRF5EKR27HX2	RES , CEMENT	0.27OHM(*2) ,5W
R660	CRF5EKR27HX2	RES , CEMENT	0.27OHM(*2) ,5W
R810	CRF5EKR27HX2	RES , CEMENT	0.27OHM(*2) ,5W
R811	CRF5EKR27HX2	RES , CEMENT	0.27OHM(*2) ,5W
R905	CRG1ANJ100H	RES , METAL OXIDE FILM	
R923	CRD25TJ220T	RES , CARBON	
R990	CRG1ANJ100H	RES , METAL OXIDE FILM	
R993	CRG1ANJ100H	RES , METAL OXIDE FILM	
R994	CRG1ANJ100H	RES , METAL OXIDE FILM	
R995	CRG1ANJ100H	RES , METAL OXIDE FILM	
R996	CRG1ANJ100H	RES , METAL OXIDE FILM	
R997	CRG1ANJ100H	RES , METAL OXIDE FILM	
R999	CRG1ANJ100H	RES , METAL OXIDE FILM	
TH91	KRTP42T7D330B	THERMAL SENSOR , POSISTOR	P42T7D330BW20
T902	CLT5J033ZE	TRANS , SUB	

AVR507 INPUT			
Pos	Part number	1st part name	2nd part name
	COP11580F	INPUT PCB ASS'Y	
C105	HCUS1H223KC	CAP , CHIP	
C106	HCUS1H223KC	CAP , CHIP	
C201	HCUS1H221JA	CAP , CHIP	
C202	HCUS1H221JA	CAP , CHIP	
C203	HCUS1H221JA	CAP , CHIP	
C204	HCUS1H221JA	CAP , CHIP	
C205	HCUS1H221JA	CAP , CHIP	
C206	HCUS1H221JA	CAP , CHIP	
C207	HCUS1H221JA	CAP , CHIP	
C208	HCUS1H221JA	CAP , CHIP	
C209	HCUS1H221JA	CAP , CHIP	
C210	HCUS1H221JA	CAP , CHIP	
C211	HCUS1H221JA	CAP , CHIP	
C212	HCUS1H221JA	CAP , CHIP	
C213	HCUS1H221JA	CAP , CHIP	
C214	HCUS1H221JA	CAP , CHIP	
C215	HCUS1H221JA	CAP , CHIP	
C216	HCUS1H221JA	CAP , CHIP	
C217	HCUS1H221JA	CAP , CHIP	
C218	HCUS1H221JA	CAP , CHIP	
C219	HCUS1H221JA	CAP , CHIP	
C220	HCUS1H221JA	CAP , CHIP	
C221	HCUS1H221JA	CAP , CHIP	
C222	HCUS1H221JA	CAP , CHIP	
C223	HCUS1H221JA	CAP , CHIP	
C224	HCUS1H221JA	CAP , CHIP	
C225	HCUS1H221JA	CAP , CHIP	
C226	HCUS1H221JA	CAP , CHIP	
C233	HCUS1H181JA	CAP , CHIP	
C234	HCUS1H471JA	CAP , CHIP	
C235	HCUS1H223KC	CAP , CHIP	
C236	HCUS1H223KC	CAP , CHIP	
C241	HCUS1H181JA	CAP , CHIP	
C242	HCUS1H471JA	CAP , CHIP	
C253	HCUS1H181JA	CAP , CHIP	
C254	HCUS1H471JA	CAP , CHIP	
C255	HCUS1H223KC	CAP , CHIP	
C256	HCUS1H223KC	CAP , CHIP	
C270	HCUS1H181JA	CAP , CHIP	
C271	HCUS1H471JA	CAP , CHIP	
C291	HCUS1E104ZF	CAP , CHIP , 0.1UF ZF	1608 SIZE
C292	HCUS1E104ZF	CAP , CHIP , 0.1UF ZF	1608 SIZE
C293	HCUS1E104ZF	CAP , CHIP , 0.1UF ZF	1608 SIZE
C294	HCUS1E104ZF	CAP , CHIP , 0.1UF ZF	1608 SIZE

AVR507 INPUT

AVR507 INPUT			
			2/14
Pos	Part number	1st part name	2nd part name
C295	HCUS1E104ZF	CAP , CHIP , 0.1UF ZF	1608 SIZE
C296	HCUS1E104ZF	CAP , CHIP , 0.1UF ZF	1608 SIZE
C297	HCUS1E104ZF	CAP , CHIP , 0.1UF ZF	1608 SIZE
C298	HCUS1E104ZF	CAP , CHIP , 0.1UF ZF	1608 SIZE
C317	HCUS1H223KC	CAP , CHIP	
C318	HCUS1H223KC	CAP , CHIP	
C319	HCUS1H223KC	CAP , CHIP	
C320	HCUS1H223KC	CAP , CHIP	
C321	HCUS1H561JA	CAP , CHIP	
C322	HCUS1H561JA	CAP , CHIP	
C323	HCUS1H561JA	CAP , CHIP	
C324	HCUS1H561JA	CAP , CHIP	
C325	HCUS1H561JA	CAP , CHIP	
C326	HCUS1H561JA	CAP , CHIP	
C327	HCUS1H561JA	CAP , CHIP	
C328	HCUS1H561JA	CAP , CHIP	
C329	HCUS1H561JA	CAP , CHIP	
C330	HCUS1H561JA	CAP , CHIP	
C331	HCUS1H561JA	CAP , CHIP	
C332	HCUS1H561JA	CAP , CHIP	
C333	HCUS1H561JA	CAP , CHIP	
C334	HCUS1H561JA	CAP , CHIP	
C335	HCUS1H561JA	CAP , CHIP	
C336	HCUS1H561JA	CAP , CHIP	
C337	HCUS1H223KC	CAP , CHIP	
C338	HCUS1H223KC	CAP , CHIP	
C339	HCUS1H223KC	CAP , CHIP	
C340	HCUS1H223KC	CAP , CHIP	
C371	HCUS1H221JA	CAP , CHIP	
C372	HCUS1H221JA	CAP , CHIP	
C373	HCUS1H221JA	CAP , CHIP	
C374	HCUS1H221JA	CAP , CHIP	
C375	HCUS1H223KC	CAP , CHIP	
C376	HCUS1H223KC	CAP , CHIP	
C378	HCUS1H223KC	CAP , CHIP	
C379	HCUS1H223KC	CAP , CHIP	
C381	HCUS1H561JA	CAP , CHIP	
C382	HCUS1H223KC	CAP , CHIP	
C383	HCUS1H223KC	CAP , CHIP	
C411	HCUS1H223KC	CAP , CHIP	
C412	HCUS1H223KC	CAP , CHIP	
C413	HCUS1H223KC	CAP , CHIP	
C414	HCUS1H223KC	CAP , CHIP	
C415	HCUS1H223KC	CAP , CHIP	
C416	HCUS1H223KC	CAP , CHIP	
C417	HCUS1H223KC	CAP , CHIP	

AVR507 INPUT

AVR507 INPUT			
			3/14
Pos	Part number	1st part name	2nd part name
C418	HCUS1H223KC	CAP , CHIP	
C419	HCUS1H223KC	CAP , CHIP	
C420	HCUS1H223KC	CAP , CHIP	
C423	HCUS1H151JA	CAP , CHIP , 150PF JA	1608 SIZE
C424	HCUS1H151JA	CAP , CHIP , 150PF JA	1608 SIZE
C425	HCUS1H151JA	CAP , CHIP , 150PF JA	1608 SIZE
C427	HCUS1H151JA	CAP , CHIP , 150PF JA	1608 SIZE
C428	HCUS1H151JA	CAP , CHIP , 150PF JA	1608 SIZE
C429	HCUS1H151JA	CAP , CHIP , 150PF JA	1608 SIZE
C430	HCUS1H151JA	CAP , CHIP , 150PF JA	1608 SIZE
C471	HCUS1H181JA	CAP , CHIP	
C472	HCUS1H181JA	CAP , CHIP	
C473	HCUS1H181JA	CAP , CHIP	
C474	HCUS1H181JA	CAP , CHIP	
C475	HCUS1E104ZF	CAP , CHIP , 0.1UF ZF	1608 SIZE
C721	HCUS1H270JA	CAP , CHIP , 27PF JA	1608 SIZE
C722	HCUS1H270JA	CAP , CHIP , 27PF JA	1608 SIZE
C723	HCUS1H270JA	CAP , CHIP , 27PF JA	1608 SIZE
C724	HCUS1H270JA	CAP , CHIP , 27PF JA	1608 SIZE
C726	HCUS1H473ZF	CAP , CHIP	
C727	HCUS1E104ZF	CAP , CHIP , 0.1UF ZF	1608 SIZE
C729	HCUS1E104ZF	CAP , CHIP , 0.1UF ZF	1608 SIZE
C730	HCUS1E104ZF	CAP , CHIP , 0.1UF ZF	1608 SIZE
C731	HCUS1E104ZF	CAP , CHIP , 0.1UF ZF	1608 SIZE
C733	HCUS1H223KC	CAP , CHIP	
C734	HCUS1H101JA	CAP , CHIP	
C735	HCUS1H101JA	CAP , CHIP	
C736	HCUS1H101JA	CAP , CHIP	
C737	HCUS1H101JA	CAP , CHIP	
C738	HCUS1E104ZF	CAP , CHIP , 0.1UF ZF	1608 SIZE
C739	HCUS1H330JA	CAP , CHIP	
C740	HCUS1H330JA	CAP , CHIP	
C742	HCUS1E104ZF	CAP , CHIP , 0.1UF ZF	1608 SIZE
C743	HCUS1E104ZF	CAP , CHIP , 0.1UF ZF	1608 SIZE
C744	HCUS1E104ZF	CAP , CHIP , 0.1UF ZF	1608 SIZE
C746	HCUS1E104ZF	CAP , CHIP , 0.1UF ZF	1608 SIZE
C747	HCUS1H223KC	CAP , CHIP	
C748	HCUS1E104ZF	CAP , CHIP , 0.1UF ZF	1608 SIZE
C750	HCUS1E104ZF	CAP , CHIP , 0.1UF ZF	1608 SIZE
C751	HCUS1E104ZF	CAP , CHIP , 0.1UF ZF	1608 SIZE
C753	HCUS1E104ZF	CAP , CHIP , 0.1UF ZF	1608 SIZE
C755	HCUS1H223KC	CAP , CHIP	
C756	HCUS1E104ZF	CAP , CHIP , 0.1UF ZF	1608 SIZE
C758	HCUS1E104ZF	CAP , CHIP , 0.1UF ZF	1608 SIZE
C760	HCUS1H471JA	CAP , CHIP	
C761	HCUS1H103KC	CAP , CHIP	

AVR507 INPUT			
			4/14
Pos	Part number	1st part name	2nd part name
C762	HCUS1H120JA	CAP , CHIP	
C763	HCUS1H120JA	CAP , CHIP	
C764	HCUS1H102KC	CAP , CHIP	
C765	HCUS1H101JA	CAP , CHIP	
C766	HCUS1E104ZF	CAP , CHIP , 0.1UF ZF	1608 SIZE
C767	HCUS1E104ZF	CAP , CHIP , 0.1UF ZF	1608 SIZE
C769	HCUS1E104ZF	CAP , CHIP , 0.1UF ZF	1608 SIZE
C771	HCUS1E104ZF	CAP , CHIP , 0.1UF ZF	1608 SIZE
C773	HCUS1E104ZF	CAP , CHIP , 0.1UF ZF	1608 SIZE
C774	HCUS1E104ZF	CAP , CHIP , 0.1UF ZF	1608 SIZE
C775	HCUS1E104ZF	CAP , CHIP , 0.1UF ZF	1608 SIZE
C777	HCUS1H473ZF	CAP , CHIP	
C779	HCUS1E104ZF	CAP , CHIP , 0.1UF ZF	1608 SIZE
C780	HCUS1E104ZF	CAP , CHIP , 0.1UF ZF	1608 SIZE
C783	HCUS1H473ZF	CAP , CHIP	
C784	HCUS1E104ZF	CAP , CHIP , 0.1UF ZF	1608 SIZE
C787	HCUS1H473ZF	CAP , CHIP	
D703	HVDRB160L60TE25	DIODE , SCHOTTKEY BARRIER HK	RB160L-60TE25
IC13	HVINJM2068MDTE1	I.C , OP AMP	NJM2068MD-TE1
IC21	HVITC9163AF	I.C , FUNCTION	TC9163AF
IC22	HVINJM2068MDTE1	I.C , OP AMP	NJM2068MD-TE1
IC23	HVITC9164AF	I.C , FUNCTION	TC9164AF
IC24	HVITC9163AF	I.C , FUNCTION	TC9163AF
IC25	HVINJM2068MDTE1	I.C , OP AMP	NJM2068MD-TE1
IC26	HVITC9162AF	I.C , FUNCTION	TC9162AF
IC31	HVINJM2068MDTE1	I.C , OP AMP	NJM2068MD-TE1
IC32	HVINJM2068MDTE1	I.C , OP AMP	NJM2068MD-TE1
IC33	HVINJM2068MDTE1	I.C , OP AMP	NJM2068MD-TE1
IC34	HVINJM2068MDTE1	I.C , OP AMP	NJM2068MD-TE1
IC35	HVINJM2068MDTE1	I.C , OP AMP	NJM2068MD-TE1
IC36	HVINJM2068MDTE1	I.C , OP AMP	NJM2068MD-TE1
IC37	HVINJM2068MDTE1	I.C , OP AMP	NJM2068MD-TE1
IC40	HVITC9459F	I.C , VOLUME	
IC41	HVITC9459F	I.C , VOLUME	
IC42	HVITC9459F	I.C , VOLUME	
IC43	HVITC9459F	I.C , VOLUME	
IC44	HVITC9459F	I.C , VOLUME	
IC45	HVINJM2068MDTE1	I.C , OP AMP	NJM2068MD-TE1
IC46	HVINJM2068MDTE1	I.C , OP AMP	NJM2068MD-TE1
IC47	HVINJM2068MDTE1	I.C , OP AMP	NJM2068MD-TE1
IC48	HVINJM2068MDTE1	I.C , OP AMP	NJM2068MD-TE1
IC49	HVINJM2068MDTE1	I.C , OP AMP	NJM2068MD-TE1
IC72	HVITC74HCU04AFN	IC , INVERTER	TC74HCU04AFN
IC73	HVIAK4114VQ	IC , DIR	
IC74	HVIAK4358VQ	I.C , DAC(8CH)	
IC75	HVICS493263-CLG	I.C , DSP HK	CS493263-CLG

AVR507 INPUT

AVR507 INPUT			
			5/14
Pos	Part number	1st part name	2nd part name
IC76	HVIAK5381VT	I.C , ADC	
R101	HRJ10DJ562T	RES , CHIP	
R102	HRJ10DJ562T	RES , CHIP	
R103	HRJ10DJ682T	RES , CHIP	1608 SIZE
R104	HRJ10DJ682T	RES , CHIP	1608 SIZE
R105	HRJ10DJ151T	RES , CHIP	
R106	HRJ10DJ151T	RES , CHIP	
R107	HRJ10DJ101T	RES , CHIP (1/10W) , 100 OHM J	1608 SIZE
R108	HRJ10DJ101T	RES , CHIP (1/10W) , 100 OHM J	1608 SIZE
R201	HRJ10DJ471T	RES , CHIP	
R202	HRJ10DJ471T	RES , CHIP	
R203	HRJ10DJ471T	RES , CHIP	
R204	HRJ10DJ471T	RES , CHIP	
R205	HRJ10DJ471T	RES , CHIP	
R206	HRJ10DJ471T	RES , CHIP	
R207	HRJ10DJ471T	RES , CHIP	
R208	HRJ10DJ471T	RES , CHIP	
R209	HRJ10DJ471T	RES , CHIP	
R210	HRJ10DJ471T	RES , CHIP	
R211	HRJ10DJ471T	RES , CHIP	
R212	HRJ10DJ471T	RES , CHIP	
R213	HRJ10DJ471T	RES , CHIP	
R214	HRJ10DJ471T	RES , CHIP	
R215	HRJ10DJ471T	RES , CHIP	
R216	HRJ10DJ471T	RES , CHIP	
R217	HRJ10DJ471T	RES , CHIP	
R218	HRJ10DJ471T	RES , CHIP	
R219	HRJ10DJ471T	RES , CHIP	
R220	HRJ10DJ471T	RES , CHIP	
R221	HRJ10DJ471T	RES , CHIP	
R222	HRJ10DJ471T	RES , CHIP	
R223	HRJ10DJ471T	RES , CHIP	
R224	HRJ10DJ272T	RES , CHIP	
R225	HRJ10DJ471T	RES , CHIP	
R226	HRJ10DJ471T	RES , CHIP	
R227	HRJ10DJ474T	RES , CHIP	1608 SIZE
R228	HRJ10DJ474T	RES , CHIP	1608 SIZE
R229	HRJ10DJ474T	RES , CHIP	1608 SIZE
R230	HRJ10DJ474T	RES , CHIP	1608 SIZE
R231	HRJ10DJ474T	RES , CHIP	1608 SIZE
R232	HRJ10DJ474T	RES , CHIP	1608 SIZE
R233	HRJ10DJ474T	RES , CHIP	1608 SIZE
R234	HRJ10DJ474T	RES , CHIP	1608 SIZE
R235	HRJ10DJ474T	RES , CHIP	1608 SIZE
R236	HRJ10DJ474T	RES , CHIP	1608 SIZE
R237	HRJ10DJ474T	RES , CHIP	1608 SIZE

AVR507 INPUT

AVR507 INPUT			
			6/14
Pos	Part number	1st part name	2nd part name
R238	HRJ10DJ474T	RES , CHIP	1608 SIZE
R239	HRJ10DJ474T	RES , CHIP	1608 SIZE
R240	HRJ10DJ474T	RES , CHIP	1608 SIZE
R241	HRJ10DJ474T	RES , CHIP	1608 SIZE
R242	HRJ10DJ474T	RES , CHIP	1608 SIZE
R243	HRJ10DJ474T	RES , CHIP	1608 SIZE
R244	HRJ10DJ474T	RES , CHIP	1608 SIZE
R245	HRJ10DJ474T	RES , CHIP	1608 SIZE
R246	HRJ10DJ474T	RES , CHIP	1608 SIZE
R247	HRJ10DJ474T	RES , CHIP	1608 SIZE
R248	HRJ10DJ474T	RES , CHIP	1608 SIZE
R249	HRJ10DJ474T	RES , CHIP	1608 SIZE
R250	HRJ10DJ103T	RES , CHIP	
R251	HRJ10DJ474T	RES , CHIP	1608 SIZE
R252	HRJ10DJ474T	RES , CHIP	1608 SIZE
R253	HRJ10DJ184T	RES , CHIP	1608 SIZE
R254	HRJ10DJ184T	RES , CHIP	1608 SIZE
R255	HRJ10DJ101T	RES , CHIP (1/10W) , 100 OHM J	1608 SIZE
R256	HRJ10DJ101T	RES , CHIP (1/10W) , 100 OHM J	1608 SIZE
R257	HRJ10DJ472T	RES , CHIP (1/10W) ,4.7K OHM J	1608 SIZE
R258	HRJ10DJ472T	RES , CHIP (1/10W) ,4.7K OHM J	1608 SIZE
R259	HRJ10DJ472T	RES , CHIP (1/10W) ,4.7K OHM J	1608 SIZE
R261	HRJ10DJ104T	RES , CHIP	
R262	HRJ10DJ104T	RES , CHIP	
R263	HRJ10DJ101T	RES , CHIP (1/10W) , 100 OHM J	1608 SIZE
R264	HRJ10DJ101T	RES , CHIP (1/10W) , 100 OHM J	1608 SIZE
R265	HRJ10DJ101T	RES , CHIP (1/10W) , 100 OHM J	1608 SIZE
R267	HRJ10DJ101T	RES , CHIP (1/10W) , 100 OHM J	1608 SIZE
R268	HRJ10DJ184T	RES , CHIP	1608 SIZE
R269	HRJ10DJ184T	RES , CHIP	1608 SIZE
R270	HRJ10DJ472T	RES , CHIP (1/10W) ,4.7K OHM J	1608 SIZE
R271	HRJ10DJ472T	RES , CHIP (1/10W) ,4.7K OHM J	1608 SIZE
R272	HRJ10DJ472T	RES , CHIP (1/10W) ,4.7K OHM J	1608 SIZE
R273	HRJ10DJ101T	RES , CHIP (1/10W) , 100 OHM J	1608 SIZE
R274	HRJ10DJ101T	RES , CHIP (1/10W) , 100 OHM J	1608 SIZE
R275	HRJ10DJ472T	RES , CHIP (1/10W) ,4.7K OHM J	1608 SIZE
R276	HRJ10DJ472T	RES , CHIP (1/10W) ,4.7K OHM J	1608 SIZE
R277	HRJ10DJ472T	RES , CHIP (1/10W) ,4.7K OHM J	1608 SIZE
R278	HRJ10DJ104T	RES , CHIP	
R279	HRJ10DJ104T	RES , CHIP	
R280	HRJ10DJ101T	RES , CHIP (1/10W) , 100 OHM J	1608 SIZE
R281	HRJ10DJ101T	RES , CHIP (1/10W) , 100 OHM J	1608 SIZE
R283	HRJ10DJ101T	RES , CHIP (1/10W) , 100 OHM J	1608 SIZE
R284	HRJ10DJ101T	RES , CHIP (1/10W) , 100 OHM J	1608 SIZE
R285	HRJ10DJ184T	RES , CHIP	1608 SIZE
R286	HRJ10DJ184T	RES , CHIP	1608 SIZE

AVR507 INPUT			
			7/14
Pos	Part number	1st part name	2nd part name
R287	HRJ10DJ184T	RES , CHIP	1608 SIZE
R288	HRJ10DJ184T	RES , CHIP	1608 SIZE
R289	HRJ10DJ184T	RES , CHIP	1608 SIZE
R290	HRJ10DJ184T	RES , CHIP	1608 SIZE
R291	HRJ10DJ472T	RES , CHIP (1/10W) ,4.7K OHM J	1608 SIZE
R292	HRJ10DJ472T	RES , CHIP (1/10W) ,4.7K OHM J	1608 SIZE
R293	HRJ10DJ472T	RES , CHIP (1/10W) ,4.7K OHM J	1608 SIZE
R301	HRJ10DJ332T	RES , CHIP	
R302	HRJ10DJ332T	RES , CHIP	
R303	HRJ10DJ332T	RES , CHIP	
R304	HRJ10DJ332T	RES , CHIP	
R305	HRJ10DJ332T	RES , CHIP	
R306	HRJ10DJ332T	RES , CHIP	
R307	HRJ10DJ332T	RES , CHIP	
R308	HRJ10DJ332T	RES , CHIP	
R309	HRJ10DJ332T	RES , CHIP	
R310	HRJ10DJ332T	RES , CHIP	
R311	HRJ10DJ332T	RES , CHIP	
R312	HRJ10DJ332T	RES , CHIP	
R313	HRJ10DJ332T	RES , CHIP	
R314	HRJ10DJ332T	RES , CHIP	
R315	HRJ10DJ332T	RES , CHIP	
R316	HRJ10DJ332T	RES , CHIP	
R317	HRJ10DJ101T	RES , CHIP (1/10W) , 100 OHM J	1608 SIZE
R318	HRJ10DJ101T	RES , CHIP (1/10W) , 100 OHM J	1608 SIZE
R319	HRJ10DJ101T	RES , CHIP (1/10W) , 100 OHM J	1608 SIZE
R320	HRJ10DJ101T	RES , CHIP (1/10W) , 100 OHM J	1608 SIZE
R321	HRJ10DJ562T	RES , CHIP	
R322	HRJ10DJ562T	RES , CHIP	
R323	HRJ10DJ562T	RES , CHIP	
R324	HRJ10DJ562T	RES , CHIP	
R325	HRJ10DJ562T	RES , CHIP	
R326	HRJ10DJ562T	RES , CHIP	
R327	HRJ10DJ223T	RES , CHIP	1608 SIZE
R328	HRJ10DJ223T	RES , CHIP	1608 SIZE
R329	HRJ10DJ562T	RES , CHIP	
R330	HRJ10DJ562T	RES , CHIP	
R331	HRJ10DJ562T	RES , CHIP	
R332	HRJ10DJ562T	RES , CHIP	
R333	HRJ10DJ562T	RES , CHIP	
R334	HRJ10DJ562T	RES , CHIP	
R335	HRJ10DJ562T	RES , CHIP	
R336	HRJ10DJ562T	RES , CHIP	
R337	HRJ10DJ101T	RES , CHIP (1/10W) , 100 OHM J	1608 SIZE
R338	HRJ10DJ101T	RES , CHIP (1/10W) , 100 OHM J	1608 SIZE
R339	HRJ10DJ101T	RES , CHIP (1/10W) , 100 OHM J	1608 SIZE

AVR507 INPUT

AVR507 INPUT			
			8/14
Pos	Part number	1st part name	2nd part name
R340	HRJ10DJ101T	RES , CHIP (1/10W) , 100 OHM J	1608 SIZE
R341	HRJ10DJ122T	RES , CHIP	
R342	HRJ10DJ122T	RES , CHIP	
R343	HRJ10DJ122T	RES , CHIP	
R344	HRJ10DJ122T	RES , CHIP	
R345	HRJ10DJ122T	RES , CHIP	
R346	HRJ10DJ122T	RES , CHIP	
R347	HRJ10DJ122T	RES , CHIP	
R348	HRJ10DJ122T	RES , CHIP	
R349	HRJ10DJ122T	RES , CHIP	
R350	HRJ10DJ122T	RES , CHIP	
R351	HRJ10DJ122T	RES , CHIP	
R352	HRJ10DJ122T	RES , CHIP	
R353	HRJ10DJ122T	RES , CHIP	
R354	HRJ10DJ122T	RES , CHIP	
R355	HRJ10DJ122T	RES , CHIP	
R356	HRJ10DJ122T	RES , CHIP	
R361	HRJ10DJ104T	RES , CHIP	
R362	HRJ10DJ104T	RES , CHIP	
R363	HRJ10DJ104T	RES , CHIP	
R364	HRJ10DJ104T	RES , CHIP	
R365	HRJ10DJ104T	RES , CHIP	
R366	HRJ10DJ104T	RES , CHIP	
R367	HRJ10DJ104T	RES , CHIP	
R368	HRJ10DJ104T	RES , CHIP	
R371	HRJ10DJ332T	RES , CHIP	
R372	HRJ10DJ332T	RES , CHIP	
R373	HRJ10DJ332T	RES , CHIP	
R374	HRJ10DJ332T	RES , CHIP	
R375	HRJ10DJ332T	RES , CHIP	
R376	HRJ10DJ332T	RES , CHIP	
R377	HRJ10DJ332T	RES , CHIP	
R378	HRJ10DJ332T	RES , CHIP	
R379	HRJ10DJ332T	RES , CHIP	
R380	HRJ10DJ332T	RES , CHIP	
R381	HRJ10DJ101T	RES , CHIP (1/10W) , 100 OHM J	1608 SIZE
R382	HRJ10DJ101T	RES , CHIP (1/10W) , 100 OHM J	1608 SIZE
R383	HRJ10DJ101T	RES , CHIP (1/10W) , 100 OHM J	1608 SIZE
R384	HRJ10DJ101T	RES , CHIP (1/10W) , 100 OHM J	1608 SIZE
R385	HRJ10DJ101T	RES , CHIP (1/10W) , 100 OHM J	1608 SIZE
R386	HRJ10DJ101T	RES , CHIP (1/10W) , 100 OHM J	1608 SIZE
R389	HRJ10DJ332T	RES , CHIP	
R390	HRJ10DJ332T	RES , CHIP	
R391	HRJ10DJ105T	RES , CHIP (1/10W)	1608 SIZE
R392	HRJ10DJ105T	RES , CHIP (1/10W)	1608 SIZE
R393	HRJ10DJ332T	RES , CHIP	

AVR507 INPUT

AVR507 INPUT			
			9/14
Pos	Part number	1st part name	2nd part name
R394	HRJ10DJ153T	RES , CHIP	
R395	HRJ10DJ153T	RES , CHIP	
R396	HRJ10DJ332T	RES , CHIP	
R397	HRJ10DJ101T	RES , CHIP (1/10W) , 100 OHM J	1608 SIZE
R398	HRJ10DJ101T	RES , CHIP (1/10W) , 100 OHM J	1608 SIZE
R401	HRJ10DJ184T	RES , CHIP	1608 SIZE
R402	HRJ10DJ184T	RES , CHIP	1608 SIZE
R403	HRJ10DJ184T	RES , CHIP	1608 SIZE
R404	HRJ10DJ184T	RES , CHIP	1608 SIZE
R405	HRJ10DJ184T	RES , CHIP	1608 SIZE
R406	HRJ10DJ184T	RES , CHIP	1608 SIZE
R407	HRJ10DJ184T	RES , CHIP	1608 SIZE
R408	HRJ10DJ184T	RES , CHIP	1608 SIZE
R409	HRJ10DJ184T	RES , CHIP	1608 SIZE
R410	HRJ10DJ184T	RES , CHIP	1608 SIZE
R413	HRJ10DJ562T	RES , CHIP	
R414	HRJ10DJ562T	RES , CHIP	
R415	HRJ10DJ562T	RES , CHIP	
R416	HRJ10DJ103T	RES , CHIP	
R417	HRJ10DJ562T	RES , CHIP	
R418	HRJ10DJ562T	RES , CHIP	
R419	HRJ10DJ562T	RES , CHIP	
R420	HRJ10DJ562T	RES , CHIP	
R423	HRJ10DJ122T	RES , CHIP	
R424	HRJ10DJ122T	RES , CHIP	
R425	HRJ10DJ102T	RES , CHIP (1/10W) , 1K OHM J	1608 SIZE
R426	HRJ10DJ102T	RES , CHIP (1/10W) , 1K OHM J	1608 SIZE
R427	HRJ10DJ102T	RES , CHIP (1/10W) , 1K OHM J	1608 SIZE
R428	HRJ10DJ102T	RES , CHIP (1/10W) , 1K OHM J	1608 SIZE
R429	HRJ10DJ102T	RES , CHIP (1/10W) , 1K OHM J	1608 SIZE
R430	HRJ10DJ102T	RES , CHIP (1/10W) , 1K OHM J	1608 SIZE
R431	HRJ10DJ101T	RES , CHIP (1/10W) , 100 OHM J	1608 SIZE
R432	HRJ10DJ101T	RES , CHIP (1/10W) , 100 OHM J	1608 SIZE
R433	HRJ10DJ101T	RES , CHIP (1/10W) , 100 OHM J	1608 SIZE
R434	HRJ10DJ101T	RES , CHIP (1/10W) , 100 OHM J	1608 SIZE
R435	HRJ10DJ101T	RES , CHIP (1/10W) , 100 OHM J	1608 SIZE
R436	HRJ10DJ101T	RES , CHIP (1/10W) , 100 OHM J	1608 SIZE
R437	HRJ10DJ101T	RES , CHIP (1/10W) , 100 OHM J	1608 SIZE
R438	HRJ10DJ101T	RES , CHIP (1/10W) , 100 OHM J	1608 SIZE
R439	HRJ10DJ101T	RES , CHIP (1/10W) , 100 OHM J	1608 SIZE
R440	HRJ10DJ101T	RES , CHIP (1/10W) , 100 OHM J	1608 SIZE
R451	HRJ10DJ184T	RES , CHIP	1608 SIZE
R452	HRJ10DJ184T	RES , CHIP	1608 SIZE
R453	HRJ10DJ184T	RES , CHIP	1608 SIZE
R454	HRJ10DJ184T	RES , CHIP	1608 SIZE
R455	HRJ10DJ184T	RES , CHIP	1608 SIZE

AVR507 INPUT			
			10/14
Pos	Part number	1st part name	2nd part name
R456	HRJ10DJ184T	RES , CHIP	1608 SIZE
R457	HRJ10DJ184T	RES , CHIP	1608 SIZE
R458	HRJ10DJ184T	RES , CHIP	1608 SIZE
R459	HRJ10DJ184T	RES , CHIP	1608 SIZE
R460	HRJ10DJ184T	RES , CHIP	1608 SIZE
R461	HRJ10DJ104T	RES , CHIP	
R462	HRJ10DJ104T	RES , CHIP	
R463	HRJ10DJ471T	RES , CHIP	
R464	HRJ10DJ471T	RES , CHIP	
R465	HRJ10DJ472T	RES , CHIP (1/10W) , 4.7K OHM J	1608 SIZE
R466	HRJ10DJ472T	RES , CHIP (1/10W) , 4.7K OHM J	1608 SIZE
R471	HRJ10DJ272T	RES , CHIP	
R472	HRJ10DJ272T	RES , CHIP	
R473	HRJ10DJ272T	RES , CHIP	
R474	HRJ10DJ272T	RES , CHIP	
R475	HRJ10DJ4R7T	RES , CHIP	1608 SIZE
R491	HRJ10DJ4R7T	RES , CHIP	1608 SIZE
R492	HRJ10DJ4R7T	RES , CHIP	1608 SIZE
R493	HRJ10DJ4R7T	RES , CHIP	1608 SIZE
R494	HRJ10DJ4R7T	RES , CHIP	1608 SIZE
R495	HRJ10DJ4R7T	RES , CHIP	1608 SIZE
R496	HRJ10DJ4R7T	RES , CHIP	1608 SIZE
R497	HRJ10DJ4R7T	RES , CHIP	1608 SIZE
R498	HRJ10DJ4R7T	RES , CHIP	1608 SIZE
R721	HRJ10DJ104T	RES , CHIP	
R722	HRJ10DJ104T	RES , CHIP	
R723	HRJ10DJ104T	RES , CHIP	
R724	HRJ10DJ104T	RES , CHIP	
R725	HRJ10DJ101T	RES , CHIP (1/10W) , 100 OHM J	1608 SIZE
R726	HRJ10DJ1R0T	RES , CHIP	
R727	HRJ10DJ1R0T	RES , CHIP	
R728	HRJ10DJ1R0T	RES , CHIP	
R729	HRJ10DJ101T	RES , CHIP (1/10W) , 100 OHM J	1608 SIZE
R730	HRJ10DJ1R0T	RES , CHIP	
R731	HRJ10DJ1R0T	RES , CHIP	
R732	HRJ10DJ183T	RES , CHIP	
R733	HRJ10DJ4R7T	RES , CHIP	1608 SIZE
R734	HRJ10DJ330T	RES , CHIP (1/10W) , 33 OHM J	1608 SIZE
R735	HRJ10DJ105T	RES , CHIP (1/10W)	1608 SIZE
R736	HRJ10DJ121T	RES , CHIP (1/10W)	1608 SIZE
R737	HRJ10DJ4R7T	RES , CHIP	1608 SIZE
R738	HRJ10DJ1R0T	RES , CHIP	
R739	HRJ10DJ2R7T	RES , CHIP	
R740	HRJ10DJ330T	RES , CHIP (1/10W) , 33 OHM J	1608 SIZE
R741	HRJ10DJ330T	RES , CHIP (1/10W) , 33 OHM J	1608 SIZE
R742	HRJ10DJ330T	RES , CHIP (1/10W) , 33 OHM J	1608 SIZE

AVR507 INPUT			
			11/14
Pos	Part number	1st part name	2nd part name
R743	HRJ10DJ330T	RES , CHIP (1/10W) , 33 OHM J	1608 SIZE
R744	HRJ10DJ330T	RES , CHIP (1/10W) , 33 OHM J	1608 SIZE
R745	HRJ10DJ330T	RES , CHIP (1/10W) , 33 OHM J	1608 SIZE
R746	HRJ10DJ472T	RES , CHIP (1/10W) ,4.7K OHM J	1608 SIZE
R747	HRJ10DJ472T	RES , CHIP (1/10W) ,4.7K OHM J	1608 SIZE
R748	HRJ10DJ103T	RES , CHIP	
R749	HRJ10DJ101T	RES , CHIP (1/10W) , 100 OHM J	1608 SIZE
R750	HRJ10DJ332T	RES , CHIP	
R751	HRJ10DJ332T	RES , CHIP	
R752	HRJ10DJ102T	RES , CHIP (1/10W) , 1K OHM J	1608 SIZE
R753	HRJ10DJ101T	RES , CHIP (1/10W) , 100 OHM J	1608 SIZE
R754	HRJ10DJ103T	RES , CHIP	
R755	HRJ10DJ103T	RES , CHIP	
R756	HRJ10DJ103T	RES , CHIP	
R757	HRJ10DJ103T	RES , CHIP	
R758	HRJ10DJ103T	RES , CHIP	
R759	HRJ10DJ103T	RES , CHIP	
R760	HRJ10DJ103T	RES , CHIP	
R761	HRJ10DJ103T	RES , CHIP	
R762	HRJ10DJ103T	RES , CHIP	
R763	HRJ10DJ333T	RES , CHIP	
R764	HRJ10DJ330T	RES , CHIP (1/10W) , 33 OHM J	1608 SIZE
R765	HRJ10DJ332T	RES , CHIP	
R766	HRJ10DJ103T	RES , CHIP	
R767	HRJ10DJ332T	RES , CHIP	
R768	HRJ10DJ330T	RES , CHIP (1/10W) , 33 OHM J	1608 SIZE
R769	HRJ10DJ101T	RES , CHIP (1/10W) , 100 OHM J	1608 SIZE
R770	HRJ10DJ103T	RES , CHIP	
R771	HRJ10DJ4R7T	RES , CHIP	1608 SIZE
R772	HRJ10DJ182T	RES , CHIP	
R773	HRJ10DJ8R2T	RES , CHIP	
R774	HRJ10DJ471T	RES , CHIP	
R780	HRJ10DJ330T	RES , CHIP (1/10W) , 33 OHM J	1608 SIZE
C101	HCEA1VH100T	CAP , ELECT	10UF 35V
C102	HCEA1VH100T	CAP , ELECT	10UF 35V
C103	HCEA1VH100T	CAP , ELECT	10UF 35V
C104	HCEA1VH100T	CAP , ELECT	10UF 35V
C231	HCEA1CH101T	CAP , ELECT	100UF 16V
C232	HCEA1CH101T	CAP , ELECT	100UF 16V
C237	HCEA1CH101T	CAP , ELECT	100UF 16V
C238	HCEA1CH101T	CAP , ELECT	100UF 16V
C239	HCEA1VH100T	CAP , ELECT	10UF 35V
C240	HCEA1VH100T	CAP , ELECT	10UF 35V
C244	HCEA1VH100T	CAP , ELECT	10UF 35V
C245	HCEA1VH100T	CAP , ELECT	10UF 35V
C251	HCEA1CH101T	CAP , ELECT	100UF 16V

AVR507 INPUT

AVR507 INPUT			
			12/14
Pos	Part number	1st part name	2nd part name
C252	HCEA1CH101T	CAP , ELECT	100UF 16V
C261	HCEA1CH101T	CAP , ELECT	100UF 16V
C262	HCEA1CH101T	CAP , ELECT	100UF 16V
C263	HCEA1VH100T	CAP , ELECT	10UF 35V
C264	HCEA1VH100T	CAP , ELECT	10UF 35V
C265	HCEA1VH100T	CAP , ELECT	10UF 35V
C267	HCEA1VH100T	CAP , ELECT	10UF 35V
C268	HCEA1VH100T	CAP , ELECT	10UF 35V
C269	HCEA1VH100T	CAP , ELECT	10UF 35V
C301	HCQI1H332JZT	CAP , MYLAR	3300PF 50V J
C302	HCQI1H332JZT	CAP , MYLAR	3300PF 50V J
C303	HCQI1H332JZT	CAP , MYLAR	3300PF 50V J
C304	HCQI1H332JZT	CAP , MYLAR	3300PF 50V J
C305	HCQI1H332JZT	CAP , MYLAR	3300PF 50V J
C306	HCQI1H332JZT	CAP , MYLAR	3300PF 50V J
C307	HCQI1H332JZT	CAP , MYLAR	3300PF 50V J
C308	HCQI1H332JZT	CAP , MYLAR	3300PF 50V J
C309	HCQI1H332JZT	CAP , MYLAR	3300PF 50V J
C310	HCQI1H332JZT	CAP , MYLAR	3300PF 50V J
C311	HCQI1H332JZT	CAP , MYLAR	3300PF 50V J
C312	HCQI1H332JZT	CAP , MYLAR	3300PF 50V J
C313	HCQI1H332JZT	CAP , MYLAR	3300PF 50V J
C314	HCQI1H332JZT	CAP , MYLAR	3300PF 50V J
C315	HCQI1H332JZT	CAP , MYLAR	3300PF 50V J
C316	HCQI1H332JZT	CAP , MYLAR	3300PF 50V J
C341	HCEA1VH100T	CAP , ELECT	10UF 35V
C342	HCEA1VH100T	CAP , ELECT	10UF 35V
C343	HCEA1VH100T	CAP , ELECT	10UF 35V
C344	HCEA1VH100T	CAP , ELECT	10UF 35V
C345	HCEA1VH100T	CAP , ELECT	10UF 35V
C346	HCEA1VH100T	CAP , ELECT	10UF 35V
C347	HCEA1VH100T	CAP , ELECT	10UF 35V
C348	HCEA1VH100T	CAP , ELECT	10UF 35V
C349	HCEA1HH1R0T	CAP , ELECT	1UF 50V
C401	HCEA1VKS100T	CAP , ELECT	10UF 35V
C402	HCEA1VH100T	CAP , ELECT	10UF 35V
C403	HCEA1VH100T	CAP , ELECT	10UF 35V
C404	HCEA1VH100T	CAP , ELECT	10UF 35V
C405	HCEA1VH100T	CAP , ELECT	10UF 35V
C406	HCEA1VH100T	CAP , ELECT	10UF 35V
C407	HCEA1VH100T	CAP , ELECT	10UF 35V
C408	HCEA1VH100T	CAP , ELECT	10UF 35V
C409	HCEA1VH100T	CAP , ELECT	10UF 35V
C410	HCEA1VH100T	CAP , ELECT	10UF 35V
C426	HCQI1H182JZT	CAP , MYLAR	1800PF 50V J
C431	HCEA1CH101T	CAP , ELECT	100UF 16V

AVR507 INPUT

AVR507 INPUT			
			13/14
Pos	Part number	1st part name	2nd part name
C432	HCEA1CH101T	CAP , ELECT	100UF 16V
C433	HCEA1CH101T	CAP , ELECT	100UF 16V
C434	HCEA1CH101T	CAP , ELECT	100UF 16V
C435	HCEA1CH101T	CAP , ELECT	100UF 16V
C436	HCEA1CH101T	CAP , ELECT	100UF 16V
C437	HCEA1CH101T	CAP , ELECT	100UF 16V
C438	HCEA1CH101T	CAP , ELECT	100UF 16V
C439	HCEA1CH101T	CAP , ELECT	100UF 16V
C440	HCEA1CH101T	CAP , ELECT	100UF 16V
C451	HCEA1VH100T	CAP , ELECT	10UF 35V
C452	HCEA1VH100T	CAP , ELECT	10UF 35V
C453	HCEA1VH100T	CAP , ELECT	10UF 35V
C454	HCEA1VH100T	CAP , ELECT	10UF 35V
C455	HCEA1VH100T	CAP , ELECT	10UF 35V
C456	HCEA1VH100T	CAP , ELECT	10UF 35V
C457	HCEA1VH100T	CAP , ELECT	10UF 35V
C458	HCEA1VH100T	CAP , ELECT	10UF 35V
C459	HCEA1VH100T	CAP , ELECT	10UF 35V
C460	HCEA1VH100T	CAP , ELECT	10UF 35V
C725	HCEA1CH101T	CAP , ELECT	100UF 16V
C728	HCEA1EH470T	CAP , ELECT	47UF 25V
C732	HCEA1CH101T	CAP , ELECT	100UF 16V
C741	HCEA1CH101T	CAP , ELECT	100UF 16V
C745	HCEA1CH101T	CAP , ELECT	100UF 16V
C749	HCEA1CH101T	CAP , ELECT	100UF 16V
C752	HCEA1CH101T	CAP , ELECT	100UF 16V
C754	HCEA1VH100T	CAP , ELECT	10UF 35V
C757	HCEA1HH2R2T	CAP , ELECT	2.2UF 50V
C759	HCEA1VH100T	CAP , ELECT	10UF 35V
C768	HCEA1HH2R2T	CAP , ELECT	2.2UF 50V
C770	HCEA1EH470T	CAP , ELECT	47UF 25V
C772	HCEA1EH470T	CAP , ELECT	47UF 25V
C776	HCEA1CH101T	CAP , ELECT	100UF 16V
C778	HCEA0JH102T	CAP , ELECT	1000UF 6.3V
C781	HCEA1CH101T	CAP , ELECT	100UF 16V
C782	HCEA1AH471T	CAP , ELECT	470UF 10V
C785	HCEA1CH101T	CAP , ELECT	100UF 16V
C786	HCEA1AH471T	CAP , ELECT	470UF 10V
D201	HVD1SS133MT	DIODE	1SS133T-77
D202	HVD1SS133MT	DIODE	1SS133T-77
D203	HVD1SS133MT	DIODE	1SS133T-77
D204	HVD1SS133MT	DIODE	1SS133T-77
D205	HVD1SS133MT	DIODE	1SS133T-77
D206	HVD1SS133MT	DIODE	1SS133T-77
D207	HVD1SS133MT	DIODE	1SS133T-77
D208	HVD1SS133MT	DIODE	1SS133T-77

AVR507 INPUT			
Pos	Part number	1st part name	2nd part name
			14/14
D209	HVD1SS133MT	DIODE	1SS133T-77
D210	HVD1SS133MT	DIODE	1SS133T-77
D211	HVD1SS133MT	DIODE	1SS133T-77
D212	HVD1SS133MT	DIODE	1SS133T-77
D213	HVD1SS133MT	DIODE	1SS133T-77
D214	HVD1SS133MT	DIODE	1SS133T-77
D215	HVD1SS133MT	DIODE	1SS133T-77
D216	HVD1SS133MT	DIODE	1SS133T-77
D475	HVD1SS133MT	DIODE	1SS133T-77
D701	HVDMTZJ4.7BT	DIODE , ZENER	4.7V 1/2W
D702	HVDMTZJ3.3BT	DIODE , ZENER	3.3V 1/2W
J101	C3A206	WIRE , COPPER	SN95/PB5 , 0.6
J102	C3A206	WIRE , COPPER	SN95/PB5 , 0.6
L703	KLQ100J405T	COIL, PEAKING(RADIAL)	10UH J 4X5
Q201	HVTKTD1302T	T.R	KTD1302
Q202	HVTKTC2874BT	T.R , MUTE	KTC2874B
Q203	HVTKTC2874BT	T.R , MUTE	KTC2874B
Q204	HVTKRA107MT	T.R	KRA107M
Q451	HVTKTC2874BT	T.R , MUTE	KTC2874B
Q452	HVTKTC2874BT	T.R , MUTE	KTC2874B
Q701	HVTKSC2316YT	T.R	KSC2316Y
Q702	HVTKSC2316YT	T.R	KSC2316Y
BN11	KJP15GB99ZM	WAFER	35237(15PIN)
BN12	KJP15GB99ZM	WAFER	35237(15PIN)
CN13	CJP13GA115ZY	WAFER , CARD CABLE	
CN15	CJP13GA115ZY	WAFER , CARD CABLE	
CN16	CJP15GA115ZY	WAFER , CARD CABLE	
CN17	KJP12GB142ZP	PIN HEADER	2110 - DR12 - G
CN18	KJP05GA19ZM	WAFER	MOLEX53014-0510
CN72	KJP32GA161ZY	WAFER	YD200 SERIES
JK11	CJJ4R019W	TERMINAL , IN/OUT	
JK12	CJJ4P014W	JACK , IN/OUT	
JK13	CJJ4P014W	JACK , IN/OUT	
JK14	CJJ4R019W	TERMINAL , IN/OUT	
JK15	CJJ4R037W	JACK , BOARD	
JK16	CJJ4N034Z	JACK , IN/OUT	
JW21	CWE7202090AA	WIRE ASS'Y	
L701	KLZ9H001Z	BEAD , CORE	
L702	KLZ9H001Z	BEAD , CORE	
L704	KLZ9H001Z	BEAD , CORE	
L705	KLZ9H001Z	BEAD , CORE	
R781	CRG2ANJ150H	RES , METAL OXIDE FILM	15 OHM 2W J
R782	CRG2ANJ330H	RES , METAL OXIDE FILM	33 OHM 2W J
X701	HOX12288E220TF	CRYSTAL(HC-49/S,ATS)	12.288MHZ 22PF

AVR507 VIDEO

AVR507 VIDEO			
			1/8
Pos	Part number	1st part name	2nd part name
	COP11581F	VIDEO PCB ASS'Y	
C107	CCKT1H103ZF	CAP , CERAMIC	0.01UF 50V ZF
C108	CCKT1H103ZF	CAP , CERAMIC	0.01UF 50V ZF
C109	CCFT1H104ZF	CAP , SEMICONDUCTOR	0.1UF 50V ZF
C110	CCFT1H104ZF	CAP , SEMICONDUCTOR	0.1UF 50V ZF
C111	CCKT1H103ZF	CAP , CERAMIC	0.01UF 50V ZF
C112	CCKT1H103ZF	CAP , CERAMIC	0.01UF 50V ZF
C117	HCEA1HH4R7T	CAP , ELECT	4.7UF 50V
C118	CCKT1H103ZF	CAP , CERAMIC	0.01UF 50V ZF
C119	HCEA1HH470T	CAP , ELECT	47UF 50V
C120	HCEA1HH470T	CAP , ELECT	47UF 50V
C121	CCKT1H103ZF	CAP , CERAMIC	0.01UF 50V ZF
C402	CCKT1H101KB	CAP , CERAMIC	100PF 50V KB
C404	CCKT1H101KB	CAP , CERAMIC	100PF 50V KB
C407	CCKT1H101KB	CAP , CERAMIC	100PF 50V KB
C409	CCKT1H101KB	CAP , CERAMIC	100PF 50V KB
C410	CCKT1H101KB	CAP , CERAMIC	100PF 50V KB
C411	HCBS1H101KBT	CAP , CERAMIC	100PF 50V K
C412	HCBS1H101KBT	CAP , CERAMIC	100PF 50V K
C413	HCBS1H151KBT	CAP , CERAMIC	150PF 50V K
C414	HCBS1H151KBT	CAP , CERAMIC	150PF 50V K
C416	HCEA1CH101T	CAP , ELECT	100UF 16V
C417	HCEA1CH101T	CAP , ELECT	100UF 16V
C418	HCBS1H223ZFT	CAP , CERAMIC	0.022UF 50V Z
C420	HCBS1H223ZFT	CAP , CERAMIC	0.022UF 50V Z
C421	HCEA1CH101T	CAP , ELECT	100UF 16V
C422	HCBS1H223ZFT	CAP , CERAMIC	0.022UF 50V Z
C423	HCEA1CH101T	CAP , ELECT	100UF 16V
C427	HCBS1H223ZFT	CAP , CERAMIC	0.022UF 50V Z
C428	HCEA1CH101T	CAP , ELECT	100UF 16V
C429	HCBS1H223ZFT	CAP , CERAMIC	0.022UF 50V Z
C430	HCEA1CH101T	CAP , ELECT	100UF 16V
C436	HCBS1H223ZFT	CAP , CERAMIC	0.022UF 50V Z
C437	HCEA1CH101T	CAP , ELECT	100UF 16V
C438	HCBS1H223ZFT	CAP , CERAMIC	0.022UF 50V Z
C439	HCEA1CH101T	CAP , ELECT	100UF 16V
C442	HCBS1H103ZFT	CAP , CERAMIC	0.01UF 50V Z
C443	HCEA1VKS100T	CAP , ELECT	10UF 35V
C444	HCEA1VKS100T	CAP , ELECT	10UF 35V
C445	HCBS1H103ZFT	CAP , CERAMIC	0.01UF 50V Z
C446	HCEA1VH100T	CAP , ELECT	10UF 35V
C447	HCEA1VH100T	CAP , ELECT	10UF 35V
C448	HCBS1H223ZFT	CAP , CERAMIC	0.022UF 50V Z
C449	HCEA1CH101T	CAP , ELECT	100UF 16V
C450	HCBS1H223ZFT	CAP , CERAMIC	0.022UF 50V Z

AVR507 A65VIDEO

2/8			
Pos	Part number	1st part name	2nd part name
C451	HCEA1CH101T	CAP , ELECT	100UF 16V
C452	HCBS1H223ZFT	CAP , CERAMIC	0.022UF 50V Z
C453	HCEA1CH101T	CAP , ELECT	100UF 16V
C454	HCBS1H223ZFT	CAP , CERAMIC	0.022UF 50V Z
C455	HCEA1CH101T	CAP , ELECT	100UF 16V
C456	HCBS1H104ZFT	CAP , CERAMIC	0.1UF 50V Z
C457	HCEA1CH101T	CAP , ELECT	100UF 16V
C458	HCEA1CH101T	CAP , ELECT	100UF 16V
C459	HCBS1H104ZFT	CAP , CERAMIC	0.1UF 50V Z
C460	CCKT1H272KB	CAP , CERAMIC	2700PF 50V KB
C461	HCEA1CH101T	CAP , ELECT	100UF 16V
C462	HCEA1CH101T	CAP , ELECT	100UF 16V
C463	HCBS1H473ZFT	CAP , CERAMIC	0.047UF 50V Z
C498	HCBS1H101KBT	CAP , CERAMIC	100PF 50V K
C499	HCBS1H101KBT	CAP , CERAMIC	100PF 50V K
C501	HCBS1H270JT	CAP , CERAMIC	
C502	HCBS1H270JT	CAP , CERAMIC	
C503	HCBS1H181KBT	CAP , CERAMIC	180PF 50V K
C504	HCEA1HHR47T	CAP , ELECT	
C505	HCBS1H223ZFT	CAP , CERAMIC	0.022UF 50V Z
C506	HCEA1AH471T	CAP , ELECT	470UF 10V
C507	HCBS1H270JT	CAP , CERAMIC	
C508	HCBS1H270JT	CAP , CERAMIC	
C509	HCEA1HH1R0T	CAP , ELECT	1UF 50V
C510	HCEA1HH1R0T	CAP , ELECT	1UF 50V
C511	HCQI1H682JZT	CAP , MYLAR	6800PF 50V J
C512	HCEA1HH1R0T	CAP , ELECT	1UF 50V
C513	HCBS1H560JT	CAP , CERAMIC	56PF 50V J
C514	HCBS1H220JT	CAP , CERAMIC	
C515	HCEA1AH471T	CAP , ELECT	470UF 10V
C517	HCBS1H223ZFT	CAP , CERAMIC	0.022UF 50V Z
C518	HCBS1H223ZFT	CAP , CERAMIC	0.022UF 50V Z
C519	HCEA1CH101T	CAP , ELECT	100UF 16V
C520	HCEA0JH102T	CAP , ELECT	1000UF 6.3V
C521	HCBS1H330JT	CAP , CERAMIC	
C522	HCBS1H330JT	CAP , CERAMIC	
C561	CCCT1H010CC	CAP , CERAMIC	1PF 50V CC
C562	CCCT1H010CC	CAP , CERAMIC	1PF 50V CC
C568	HCBS1H104ZFT	CAP , CERAMIC	0.1UF 50V Z
C601	HCBS1H390JT	CAP , CERAMIC	39PF 50V J
C602	HCBS1H390JT	CAP , CERAMIC	39PF 50V J
C603	HCBS1H390JT	CAP , CERAMIC	39PF 50V J
C604	HCBS1H390JT	CAP , CERAMIC	39PF 50V J
C605	HCBS1H390JT	CAP , CERAMIC	39PF 50V J
C606	HCBS1H390JT	CAP , CERAMIC	39PF 50V J
C607	HCBS1H390JT	CAP , CERAMIC	39PF 50V J

AVR507 VIDEO

AVR507 VIDEO			
			3/8
Pos	Part number	1st part name	2nd part name
C608	HCBS1H390JT	CAP , CERAMIC	39PF 50V J
C609	HCBS1H390JT	CAP , CERAMIC	39PF 50V J
C610	CCKT1H223ZF	CAP , CERAMIC	0.022UF 50V ZF
C611	HCEA1CH101T	CAP , ELECT	100UF 16V
C612	CCKT1H223ZF	CAP , CERAMIC	0.022UF 50V ZF
C613	HCEA1CH101T	CAP , ELECT	100UF 16V
C614	HCBS1H223ZFT	CAP , CERAMIC	0.022UF 50V Z
C615	HCEA1CH101T	CAP , ELECT	100UF 16V
C616	HCBS1H223ZFT	CAP , CERAMIC	0.022UF 50V Z
C617	HCEA1CH101T	CAP , ELECT	100UF 16V
C701	HCEA1AH471T	CAP , ELECT	470UF 10V
C702	HCEA1AH471T	CAP , ELECT	470UF 10V
C703	CCKT1H181KB	CAP , CERAMIC	180PF 50V KB
C704	CCFT1H104ZF	CAP , SEMICONDUCTOR	0.1UF 50V ZF
C705	CCKT1H181KB	CAP , CERAMIC	180PF 50V KB
C706	CCFT1H104ZF	CAP , SEMICONDUCTOR	0.1UF 50V ZF
C707	CCKT1H101KB	CAP , CERAMIC	100PF 50V KB
C708	HCEA1CKS101T	CAP , ELECT	
C709	CCFT1H104ZF	CAP , SEMICONDUCTOR	0.1UF 50V ZF
C710	CCCT1H270JC	CAP , CERAMIC	22PF 50V JC
C711	HCEA1CH101T	CAP , ELECT	100UF 16V
C712	CCKT1H473ZF	CAP , CERAMIC	0.047UF 50V ZF
C713	CCCT1H270JC	CAP , CERAMIC	22PF 50V JC
C921	HCQI1H104JZT	CAP , MYLAR	0.1UF 50V J
C922	HCQI1H104JZT	CAP , MYLAR	0.1UF 50V J
C923	HCQI1H104JZT	CAP , MYLAR	0.1UF 50V J
C924	HCQI1H104JZT	CAP , MYLAR	0.1UF 50V J
C925	HCQI1H103JZT	CAP , MYLAR	0.01UF 50V J
C926	HCQI1H103JZT	CAP , MYLAR	0.01UF 50V J
C927	HCQI1H103JZT	CAP , MYLAR	0.01UF 50V J
C928	HCQI1H103JZT	CAP , MYLAR	0.01UF 50V J
C931	HCQI1H473JZT	CAP , MYLAR	0.047UF 50V J
C932	HCQI1H473JZT	CAP , MYLAR	0.047UF 50V J
C933	HCQI1H473JZT	CAP , MYLAR	0.047UF 50V J
C934	HCQI1H473JZT	CAP , MYLAR	0.047UF 50V J
D401	HVD1SS133MT	DIODE	1SS133T-77
D402	HVD1SS133MT	DIODE	1SS133T-77
D403	HVD1SS133MT	DIODE	1SS133T-77
D404	HVD1SS133MT	DIODE	1SS133T-77
D405	HVD1SS133MT	DIODE	1SS133T-77
L501	HLQ02C101JT	COIL , AXAIL	100UH,J
L502	KLQ5R6G405T	COIL , PEAKING(RADIAL)	
L503	KLQ220J405T	COIL , PEAKING(RADIAL)	22UH J 4X5
Q104	HVTKSC2316YT	T.R	KSC2316Y
Q402	HVTKSA733CYT	T.R	
Q403	HVTKRA107MT	T.R	KRA107M

AVR507 VIDEO

AVR507 VIDEO			
Pos	Part number	1st part name	2nd part name
			4/8
Q404	HVTKRC107MT	T.R	KRC107M
Q405	HVTKSA733CYT	T.R	
Q406	HVTKRA107MT	T.R	KRA107M
Q407	HVTKRC107MT	T.R	KRC107M
Q408	HVTKRC107MT	T.R	KRC107M
Q409	HVTKRA104MT	T.R	KRA104M
Q410	HVTKTD1302T	T.R	KTD1302
Q411	HVTKTD1302T	T.R	KTD1302
Q412	HVTKRA104MT	T.R	KRA104M
Q501	KVTKSC2785YT	T.R	KSC2785Y
Q502	KVTKSA1175YT	T.R	KSA1175Y
Q568	HVTKTC2874BT	T.R , MUTE	KTC2874B
Q569	HVTKRC107MT	T.R	KRC107M
Q601	HVTKRC107MT	T.R	KRC107M
Q602	HVTKRC107MT	T.R	KRC107M
Q603	HVTKRC107MT	T.R	KRC107M
R401	CRD20TJ750T	RES , CARBON	75 OHM 1/5W J
R402	CRD20TJ750T	RES , CARBON	75 OHM 1/5W J
R403	CRD20TJ332T	RES , CARBON	3.3K OHM 1/5W J
R404	CRD20TJ750T	RES , CARBON	75 OHM 1/5W J
R405	CRD20TJ750T	RES , CARBON	75 OHM 1/5W J
R406	CRD20TJ332T	RES , CARBON	3.3K OHM 1/5W J
R407	CRD20TJ750T	RES , CARBON	75 OHM 1/5W J
R408	CRD20TJ750T	RES , CARBON	75 OHM 1/5W J
R409	CRD20TJ750T	RES , CARBON	75 OHM 1/5W J
R410	CRD20TJ332T	RES , CARBON	3.3K OHM 1/5W J
R411	CRD20TJ750T	RES , CARBON	75 OHM 1/5W J
R412	CRD20TJ750T	RES , CARBON	75 OHM 1/5W J
R413	CRD20TJ750T	RES , CARBON	75 OHM 1/5W J
R414	CRD20TJ332T	RES , CARBON	3.3K OHM 1/5W J
R415	CRD20TJ750T	RES , CARBON	75 OHM 1/5W J
R416	CRD20TJ332T	RES , CARBON	3.3K OHM 1/5W J
R417	CRD20TJ750T	RES , CARBON	75 OHM 1/5W J
R418	CRD20TJ750T	RES , CARBON	75 OHM 1/5W J
R419	CRD20TJ750T	RES , CARBON	75 OHM 1/5W J
R420	CRD20TJ332T	RES , CARBON	3.3K OHM 1/5W J
R421	CRD20TJ750T	RES , CARBON	75 OHM 1/5W J
R422	CRD20TJ332T	RES , CARBON	3.3K OHM 1/5W J
R423	CRD20TJ750T	RES , CARBON	75 OHM 1/5W J
R424	CRD20TJ750T	RES , CARBON	75 OHM 1/5W J
R425	CRD20TJ750T	RES , CARBON	75 OHM 1/5W J
R426	CRD20TJ332T	RES , CARBON	3.3K OHM 1/5W J
R427	CRD20TJ750T	RES , CARBON	75 OHM 1/5W J
R428	CRD20TJ332T	RES , CARBON	3.3K OHM 1/5W J
R430	CRD20TJ1R8T	RES , CARBON	1.8 OHM 1/5W J
R431	CRD20TJ102T	RES , CARBON	1K OHM 1/5W J

AVR507 VIDEO

AVR507 VIDEO			
			5/8
Pos	Part number	1st part name	2nd part name
R432	CRD20TJ1R0T	RES , CARBON	1 OHM 1/5W J
R433	CRD20TJ102T	RES , CARBON	1K OHM 1/5W J
R434	CRD20TJ102T	RES , CARBON	1K OHM 1/5W J
R435	CRD20TJ102T	RES , CARBON	1K OHM 1/5W J
R436	CRD20TJ102T	RES , CARBON	1K OHM 1/5W J
R437	CRD25TJ102T	RES , CARBON	
R438	CRD25TJ1R0T	RES , CARBON	
R439	CRD20TJ750T	RES , CARBON	75 OHM 1/5W J
R440	CRD20TJ1R8T	RES , CARBON	1.8 OHM 1/5W J
R441	CRD20TJ102T	RES , CARBON	1K OHM 1/5W J
R442	CRD20TJ102T	RES , CARBON	1K OHM 1/5W J
R443	CRD20TJ102T	RES , CARBON	1K OHM 1/5W J
R444	CRD20TJ102T	RES , CARBON	1K OHM 1/5W J
R445	CRD20TJ1R0T	RES , CARBON	1 OHM 1/5W J
R446	CRD20TJ102T	RES , CARBON	1K OHM 1/5W J
R447	CRD20TJ750T	RES , CARBON	75 OHM 1/5W J
R448	CRD20TJ1R8T	RES , CARBON	1.8 OHM 1/5W J
R449	CRD20TJ102T	RES , CARBON	1K OHM 1/5W J
R450	CRD20TJ102T	RES , CARBON	1K OHM 1/5W J
R451	CRD20TJ102T	RES , CARBON	1K OHM 1/5W J
R452	CRD20TJ102T	RES , CARBON	1K OHM 1/5W J
R453	CRD20TJ332T	RES , CARBON	3.3K OHM 1/5W J
R454	CRD25TJ562T	RES , CARBON	5.6K OHM 1/4W J
R455	CRD20TJ105T	RES , CARBON	1M OHM 1/5W J
R456	CRD20TJ680T	RES , CARBON	68 OHM 1/5W J
R457	CRD20TJ333T	RES , CARBON	33K OHM 1/5W J
R458	CRD20TJ123T	RES , CARBON	12K OHM 1/5W J
R459	CRD20TJ680T	RES , CARBON	68 OHM 1/5W J
R460	CRD20TJ333T	RES , CARBON	33K OHM 1/5W J
R461	CRD20TJ123T	RES , CARBON	12K OHM 1/5W J
R462	CRD20TJ102T	RES , CARBON	1K OHM 1/5W J
R463	CRD20TJ103T	RES , CARBON	10K OHM 1/5W J
R464	CRD20TJ103T	RES , CARBON	10K OHM 1/5W J
R465	CRD20TJ103T	RES , CARBON	10K OHM 1/5W J
R466	CRD20TJ103T	RES , CARBON	10K OHM 1/5W J
R467	CRD20TJ103T	RES , CARBON	10K OHM 1/5W J
R468	CRD20TJ100T	RES , CARBON	10 OHM 1/5W J
R469	CRD20TJ100T	RES , CARBON	10 OHM 1/5W J
R470	CRD20TJ100T	RES , CARBON	10 OHM 1/5W J
R471	CRD20TJ100T	RES , CARBON	10 OHM 1/5W J
R472	CRD20TJ151T	RES , CARBON	150 OHM 1/5W J
R473	CRD20TJ181T	RES , CARBON	180 OHM 1/5W J
R474	CRD20TJ1R8T	RES , CARBON	1.8 OHM 1/5W J
R475	CRD20TJ1R0T	RES , CARBON	1 OHM 1/5W J
R476	CRD20TJ101T	RES , CARBON	100 OHM 1/5W J
R478	CRD20TJ223T	RES , CARBON	22K OHM 1/5W J

AVR507 VIDEO

AVR507 VIDEO			
			6/8
Pos	Part number	1st part name	2nd part name
R479	CRD20TJ181T	RES , CARBON	180 OHM 1/5W J
R480	CRD25TJ223T	RES , CARBON	22K OHM 1/4W J
R501	CRD20TJ102T	RES , CARBON	1K OHM 1/5W J
R502	CRD20TJ102T	RES , CARBON	1K OHM 1/5W J
R503	CRD20TJ102T	RES , CARBON	1K OHM 1/5W J
R504	CRD20TJ104T	RES , CARBON	100K OHM 1/5W J
R505	CRD20TJ102T	RES , CARBON	1K OHM 1/5W J
R506	CRD20TJ102T	RES , CARBON	1K OHM 1/5W J
R507	CRD20TJ102T	RES , CARBON	1K OHM 1/5W J
R508	CRD20TJ682T	RES , CARBON	6.8K OHM 1/5W J
R509	CRD20TJ152T	RES , CARBON	1.5K OHM 1/5W J
R510	CRD20TJ393T	RES , CARBON	
R511	CRD20TJ222T	RES , CARBON	2.2K OHM 1/5W J
R512	CRD20TJ102T	RES , CARBON	1K OHM 1/5W J
R513	CRD20TJ822T	RES , CARBON	8.2K OHM 1/5W J
R514	CRD20TJ103T	RES , CARBON	10K OHM 1/5W J
R516	CRD20TJ221T	RES , CARBON	220 OHM 1/5W J
R517	CRD20TJ273T	RES , CARBON	27K OHM 1/5W J
R561	CRD20TJ100T	RES , CARBON	10 OHM 1/5W J
R563	CRD20TJ222T	RES , CARBON	2.2K OHM 1/5W J
R564	CRD20TJ222T	RES , CARBON	2.2K OHM 1/5W J
R565	CRD20TJ123T	RES , CARBON	12K OHM 1/5W J
R566	CRD20TJ123T	RES , CARBON	12K OHM 1/5W J
R567	CRD20TJ100T	RES , CARBON	10 OHM 1/5W J
R568	CRD20TJ223T	RES , CARBON	22K OHM 1/5W J
R569	CRD20TJ223T	RES , CARBON	22K OHM 1/5W J
R570	CRD20TJ101T	RES , CARBON	100 OHM 1/5W J
R601	CRD20TJ750T	RES , CARBON	75 OHM 1/5W J
R602	CRD20TJ750T	RES , CARBON	75 OHM 1/5W J
R603	CRD20TJ750T	RES , CARBON	75 OHM 1/5W J
R604	CRD20TJ750T	RES , CARBON	75 OHM 1/5W J
R605	CRD20TJ750T	RES , CARBON	75 OHM 1/5W J
R606	CRD20TJ750T	RES , CARBON	75 OHM 1/5W J
R607	CRD20TJ750T	RES , CARBON	75 OHM 1/5W J
R608	CRD20TJ750T	RES , CARBON	75 OHM 1/5W J
R609	CRD20TJ750T	RES , CARBON	75 OHM 1/5W J
R610	CRD20TJ1R0T	RES , CARBON	1 OHM 1/5W J
R611	CRD20TJ103T	RES , CARBON	10K OHM 1/5W J
R612	CRD20TJ1R8T	RES , CARBON	1.8 OHM 1/5W J
R613	CRD20TJ4R7T	RES , CARBON	
R614	CRD20TJ4R7T	RES , CARBON	
R615	CRD20TJ103T	RES , CARBON	10K OHM 1/5W J
R701	CRD20TJ103T	RES , CARBON	10K OHM 1/5W J
R702	CRD20TJ1R0T	RES , CARBON	1 OHM 1/5W J
R703	CRD20TJ103T	RES , CARBON	10K OHM 1/5W J
R704	CRD20TJ1R0T	RES , CARBON	1 OHM 1/5W J

AVR507 VIDEO

7/8			
Pos	Part number	1st part name	2nd part name
R705	CRD20TJ750T	RES , CARBON	75 OHM 1/5W J
R706	CRD20TJ750T	RES , CARBON	75 OHM 1/5W J
R707	CRD20TJ750T	RES , CARBON	75 OHM 1/5W J
R708	CRD20TJ101T	RES , CARBON	100 OHM 1/5W J
R709	CRD20TJ111T	RES , CARBON	110 OHM 1/5W J
R710	CRD20TJ1R0T	RES , CARBON	1 OHM 1/5W J
R711	CRD20TJ1R0T	RES , CARBON	1 OHM 1/5W J
R712	CRD20TJ101T	RES , CARBON	100 OHM 1/5W J
R713	CRD20TJ104T	RES , CARBON	100K OHM 1/5W J
R714	CRD20TJ104T	RES , CARBON	100K OHM 1/5W J
	CMC1A213	PLATE , SHIELD	AVR230
BK61	CMD1A387	BRACKET , PCB	
BK62	CMD1A387	BRACKET , PCB	
BN14	CWB4F232450PU	WIRE ASS'Y	
BN17	KJP12GB143ZP	DIP SOCKET	3011 - DR12 - G
BN61	CWB2B906120EN	WIRE ASS'Y	
BN91	CWB4FE53130PU	WIRE ASS'Y	
BN96	CWB1C908150BM	WIRE ASS'Y	
CN13	KJP05GA01ZM	WAFER	MOLEX 5267-05A
CN19	KJP03GA90ZM	WAFER	MOLEX35313-0310
CN20	KJP04GA90ZM	WAFER	MOLEX35313-0310
CN21	KJP02GA89ZM	WAFER	MOLEX35328-02
CN41	KJP06GA19ZM	WAFER	MOLEX53014-0610
CN43	CJP13GA115ZY	WAFER , CARD CABLE	
CN61	KJP06GA19ZM	WAFER	MOLEX53014-0610
CN81	KJP08GA01ZM	WAFER	MOLEX 5267-08A
CN84	KJP02KA060ZY	WAFER	7.92MM(YUNHO)
C122	HCEA1JH101E	CAP , ELECT	100UF 63V
C124	BCQE2E104KDE	CAP , LINE ACROSS	0.1UF 250V KD
C523	HCEA0JH102T	CAP , ELECT	1000UF 6.3V
IC41	HVINJM2296M	I.C , VIDEO SW	NJM2296M
IC42	HVINJM2296M	I.C , VIDEO SW	NJM2296M
IC43	HVINJM2296M	I.C , VIDEO SW	NJM2296M
IC44	HVIHCF4053M013T	I.C	
IC45	HVIHCF4053M013T	I.C	
IC46	HVINJM2581MTE1	I.C	
IC47	HVINJM2137MTE1	I.C	
IC48	CVIL7805CPNA	I.C ASS'Y	
	HVIL7805CP	I.C, REGULATOR	
IC49	CVIL7905CPNA	I.C ASS'Y	
	HVIL7905CP	I.C, REGULATOR	
IC51	HVILC74763M	I.C , OSD	
IC52	HVI74ACT04MTR	I.C , HEX	
IC61	HVIHCF4053M013T	I.C	
IC62	HVINJM2581MTE1	I.C	
IC71	HVITC74HCU04AFN	IC , INVERTER	TC74HCU04AFN

AVR507 VIDEO			
			8/8
Pos	Part number	1st part name	2nd part name
JK41	CJJ9N001Z	JACK , S-VIDEO (2P/H)	
JK42	CJJ9N001Z	JACK , S-VIDEO (2P/H)	
JK43	CJJ9S001Z	JACK , S-VIDEO (3P/H)	
JK48	CJJ4N043Z	JACK , BOARD	
JK49	CJJ4N043Z	JACK , BOARD	
JK50	CJJ4S010Z	JACK , BOARD	
JK61	CJJ4L004Z	JACK (Y/PB/PR)	
JK71	HJSTORX179L	MODULE , OPTICAL(RX)	TORX179L
JK72	HJSTORX179L	MODULE , OPTICAL(RX)	TORX179L
JK73	CJJ4S022Z	JACK , BOARD	
JK74	HJSTOTX179L	MODULE , OPTICAL(TX)	TOTX179L
JW11	CWEP202110VV	WIRE	
R481	CRG2ANJ150H	RES , METAL OXIDE FILM	15 OHM 2W J
X501	HOX17734E220C	CRYSTAL	
X502	HOX14318E220C	CRYSTAL	

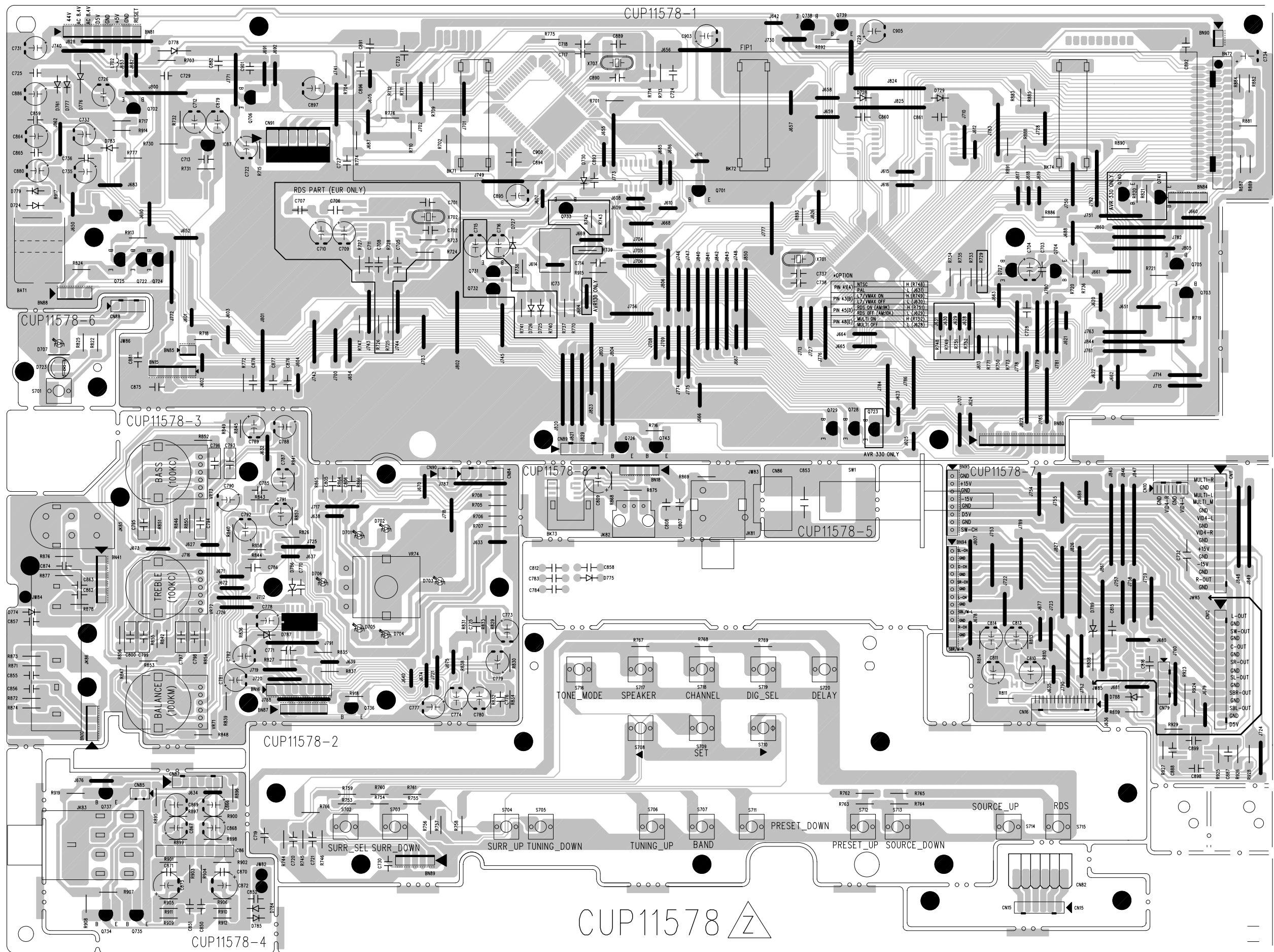
AVR507 BIAS			
			1/1
Pos	Part number	1st part name	2nd part name
	COP11651C	BIAS T.R PCB ASS'Y	
Q851	HVTKTD600KGR	T.R , BIAS	KTD600KGR
Q852	HVTKTD600KGR	T.R , BIAS	KTD600KGR
Q853	HVTKTD600KGR	T.R , BIAS	KTD600KGR
Q854	HVTKTD600KGR	T.R , BIAS	KTD600KGR
Q855	HVTKTD600KGR	T.R , BIAS	KTD600KGR
Q856	HVTKTD600KGR	T.R , BIAS	KTD600KGR
Q857	HVTKTD600KGR	T.R , BIAS	KTD600KGR
C851	HCEA1HH100T	CAP , ELECT	10UF 50V
C852	HCEA1HH100T	CAP , ELECT	10UF 50V
C853	HCEA1HH100T	CAP , ELECT	10UF 50V
C854	HCEA1HH100T	CAP , ELECT	10UF 50V
C855	HCEA1HH100T	CAP , ELECT	10UF 50V
C856	HCEA1HH100T	CAP , ELECT	10UF 50V
C857	HCEA1HH100T	CAP , ELECT	10UF 50V
VR81	HVN1RA221B01T	RES , SEMI FIXED(220 OHM)	RH0615C100221
VR82	HVN1RA221B01T	RES , SEMI FIXED(220 OHM)	RH0615C100221
VR83	HVN1RA221B01T	RES , SEMI FIXED(220 OHM)	RH0615C100221
VR84	HVN1RA221B01T	RES , SEMI FIXED(220 OHM)	RH0615C100221
VR85	HVN1RA221B01T	RES , SEMI FIXED(220 OHM)	RH0615C100221
VR86	HVN1RA221B01T	RES , SEMI FIXED(220 OHM)	RH0615C100221
VR87	HVN1RA221B01T	RES , SEMI FIXED(220 OHM)	RH0615C100221
R874	CRD20TJ331T	RES , CARBON	330 OHM 1/5W J
R875	CRD20TJ331T	RES , CARBON	330 OHM 1/5W J
R876	CRD20TJ331T	RES , CARBON	330 OHM 1/5W J
R877	CRD20TJ331T	RES , CARBON	330 OHM 1/5W J
R878	CRD20TJ331T	RES , CARBON	330 OHM 1/5W J
R879	CRD20TJ331T	RES , CARBON	330 OHM 1/5W J
R880	CRD20TJ331T	RES , CARBON	330 OHM 1/5W J
R882	CRD20TJ122T	RES , CARBON	1.2K OHM 1/5W J
R883	CRD20TJ122T	RES , CARBON	1.2K OHM 1/5W J
R884	CRD20TJ122T	RES , CARBON	1.2K OHM 1/5W J
R885	CRD20TJ122T	RES , CARBON	1.2K OHM 1/5W J
R886	CRD20TJ122T	RES , CARBON	1.2K OHM 1/5W J
R887	CRD20TJ122T	RES , CARBON	1.2K OHM 1/5W J
R888	CRD20TJ122T	RES , CARBON	1.2K OHM 1/5W J
CN81	KJP02GB46ZM	WAFER	
CN82	KJP02GB46ZM	WAFER	
CN83	KJP02GB46ZM	WAFER	
CN84	KJP02GB46ZM	WAFER	
CN85	KJP02GB46ZM	WAFER	
CN86	KJP02GB46ZM	WAFER	
CN87	KJP02GB46ZM	WAFER	

AVR507 Regulator PCB			
			1/1
Pos	Part number	1st part name	2nd part name
	CUP116551-1	IC REGULATOR PCB ASS'Y	
R912	CRD20TJ153T	RES , CARBON	15K OHM 1/5W J
R913	CRD20TJ153T	RES , CARBON	15K OHM 1/5W J
R914	CRD20TJ103T	RES , CARBON	10K OHM 1/5W J
IC91	HVIL7815CP	I.C, REGULATOR	
IC92	HVIL7915CP	I.C, REGULATOR	
IC93	HVIL7805CP	I.C, REGULATOR	
D903	KVD1N4003SRT	DIODE TW	1N4003
D904	KVD1N4003ST	DIODE	1N4003
D905	KVD1N4003ST	DIODE	1N4003
D906	KVD1N4003ST	DIODE	1N4003
D907	KVD1N4003ST	DIODE	1N4003
D915	HVD1SS133MT	DIODE	1SS133T-77
D916	HVD1SS133MT	DIODE	1SS133T-77
CN96	KJP08GA01ZM	WAFER	MOLEX 5267-08A
CN98	BJP08GB131ZK	WAFER	
C922	HCEA1EH101T	CAP , ELECT	100UF 25V
C923	HCEA1EH101T	CAP , ELECT	100UF 25V
C924	HCEA1EH101T	CAP , ELECT	100UF 25V
C926	CCKT1H223ZF	CAP , CERAMIC	0.022UF 50V ZF
C927	CCKT1H223ZF	CAP , CERAMIC	0.022UF 50V ZF
C928	CCEA1CH472E	CAP , ELECT	
C931	HCEA1HH4R7T	CAP , ELECT	4.7UF 50V
AVR507 Power supply CUP11581-6			
			1/1
Pos	Part number	1st part name	2nd part name
C124	BCQE2E104KDE	CAP , LINE ACROSS	0.1UF 250V KD
F901	KBA2D2500TLET	FUSE	
F902	KBA2D2500TLET	FUSE	
OL91	KJJ7A025Z	OUTLET , EUR(2P)	A3-04-D007-2P
F907	KBA2C4000TLEZ	FUSE	
F907	KJCF5S	HOLDER , FUSE	
CN21	KJP02GA89ZM	WAFER	MOLEX35328-02
BN91	CWB4FE53130PU	WIRE ASS'Y	

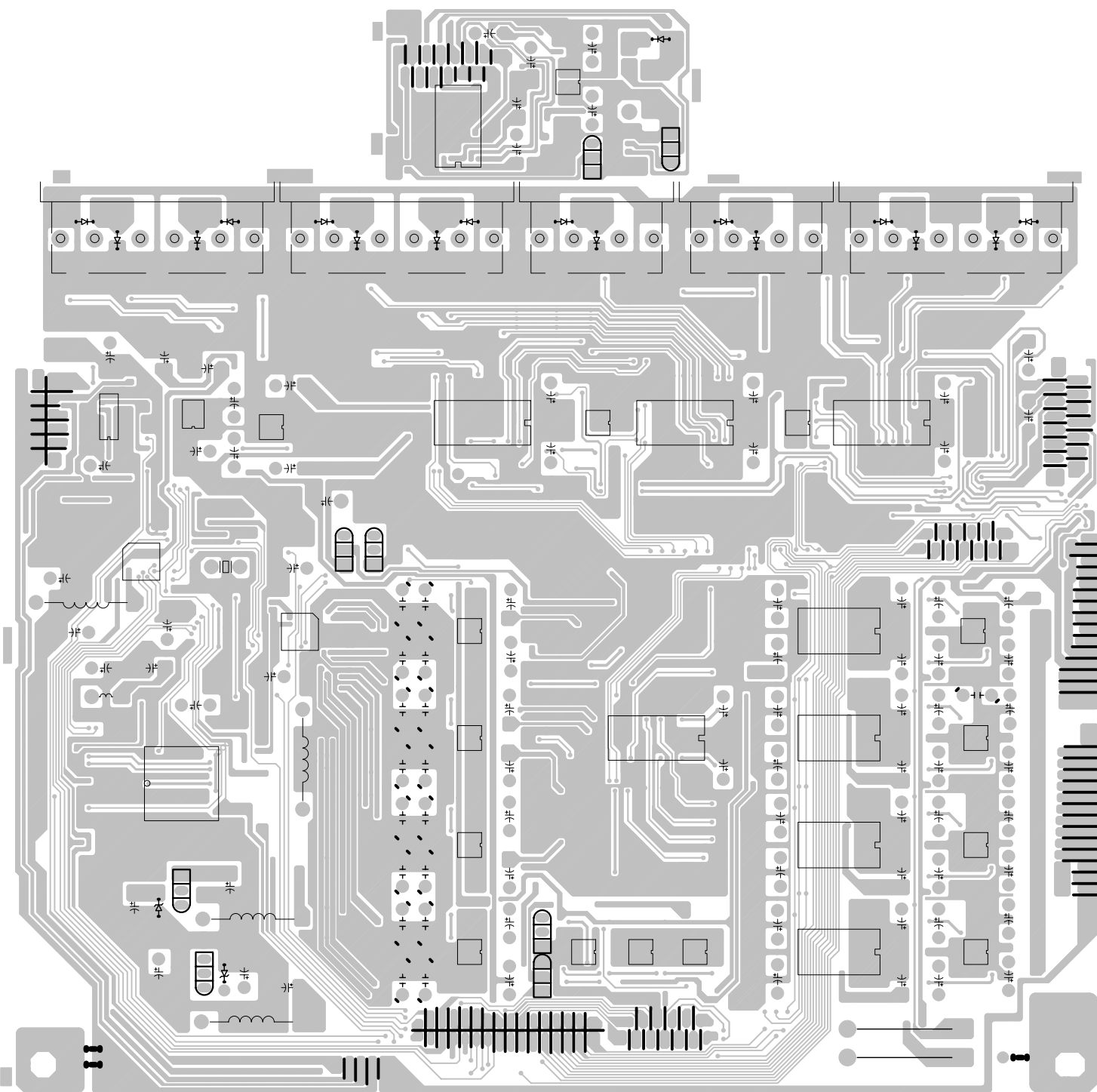
AVR507 Power supply CUP11581-5

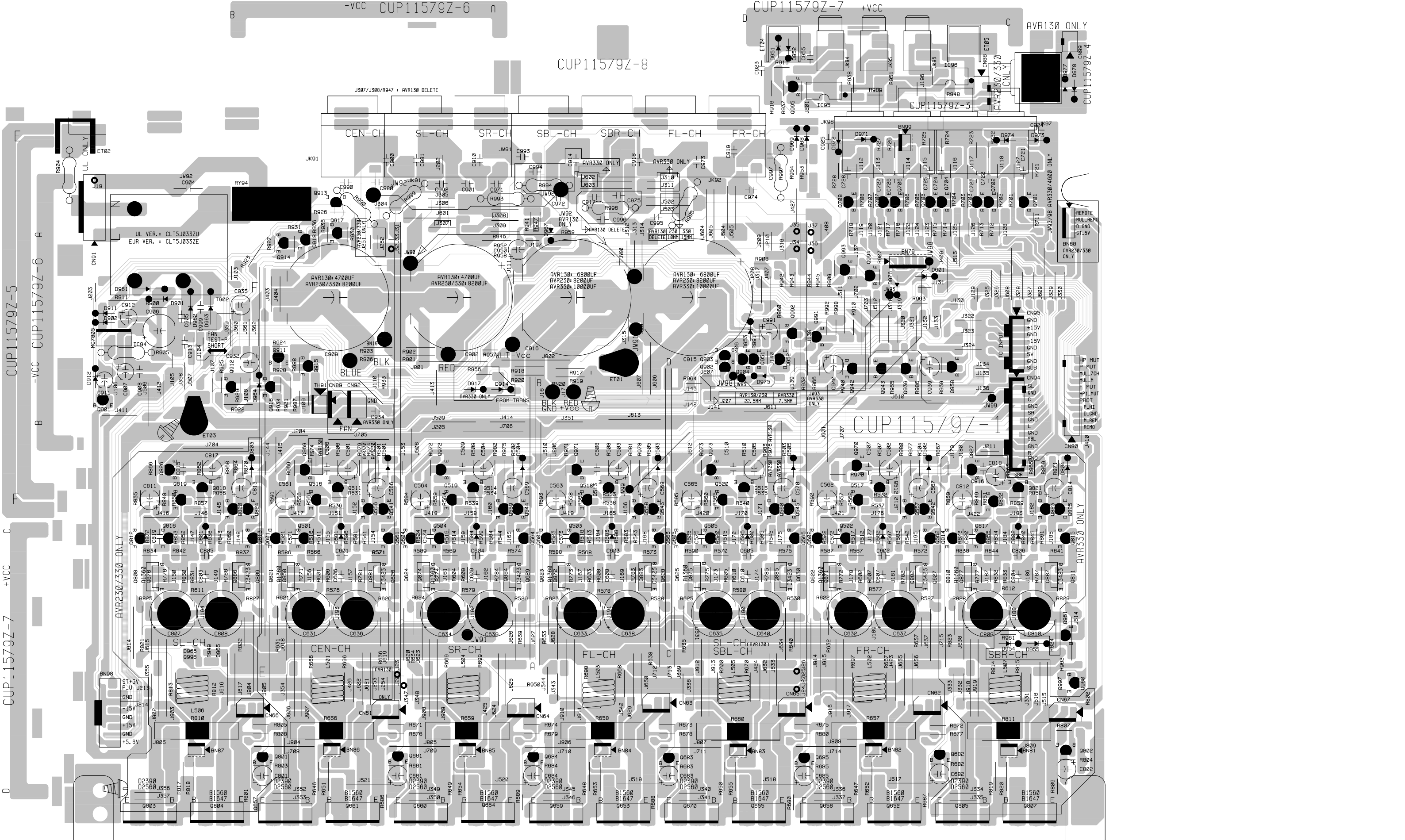
AVR507 Power supply CUP11581-5			
			1/1
Pos	Part number	1st part name	2nd part name
C107	CCKT1H103ZF	CAP , CERAMIC	0.01UF 50V ZF
C108	CCKT1H103ZF	CAP , CERAMIC	0.01UF 50V ZF
C109	CCFT1H104ZF	CAP , SEMICONDUCTOR	0.1UF 50V ZF
C110	CCFT1H104ZF	CAP , SEMICONDUCTOR	0.1UF 50V ZF
C111	CCKT1H103ZF	CAP , CERAMIC	0.01UF 50V ZF
C112	CCKT1H103ZF	CAP , CERAMIC	0.01UF 50V ZF
C117	HCEA1HH4R7T	CAP , ELECT	4.7UF 50V
C118	CCKT1H103ZF	CAP , CERAMIC	0.01UF 50V ZF
C119	HCEA1HH470T	CAP , ELECT	47UF 50V
C120	HCEA1HH470T	CAP , ELECT	47UF 50V
C121	CCKT1H103ZF	CAP , CERAMIC	0.01UF 50V ZF
C122	HCEA1JH101E	CAP , ELECT	100UF 63V
CN13	KJP05GA01ZM	WAFER	MOLEX 5267-05A
CN81	KJP08GA01ZM	WAFER	MOLEX 5267-08A
BN96	CWB1C908150BM	WIRE ASS'Y	
SW91	KST1A010Z	SW , TACT	reset
R101	KRQ1AJR47H	RES , FUSE	0.47 OHM 1W J
R104	KRQ1AJR47H	RES , FUSE	0.47 OHM 1W J
R105	KRQ1AJR47H	RES , FUSE	0.47 OHM 1W J
R106	KRQ1AJR47H	RES , FUSE	0.47 OHM 1W J
R107	KRQ1AJR47H	RES , FUSE	0.47 OHM 1W J
R108	CRD20TJ4R7T	RES , CARBON	
R109	CRD20TJ100T	RES , CARBON	10 OHM 1/5W J
R110	CRD20TJ4R7T	RES , CARBON	
R112	CRD20TJ122T	RES , CARBON	1.2K OHM 1/5W J
R113	CRD20TJ473T	RES , CARBON	47K OHM 1/5W J
D101	HVDMTZJ15BT	DIODE , ZENER	15V 1/2W
D102	HVDMTZJ27BT	DIODE , ZENER	
D104	KVD1N4003ST	DIODE	1N4003
D105	KVD1N4003ST	DIODE	1N4003
D106	KVD1N4003ST	DIODE	1N4003
D107	KVD1N4003ST	DIODE	1N4003
D108	KVD1N4003ST	DIODE	1N4003
D109	HVDMTZ12BT	DIODE , ZENER(20MM)	12V 1/2W
D111	HVDMTZJ12BT	DIODE , ZENER	12V 1/2W
Q104	HVTKSC2316YT	T.R	KSC2316Y

AVR507 Power supply CUP11581-4			
			1/1
Pos	Part number	1st part name	2nd part name
C921	HCQI1H104JZT	CAP , MYLAR	0.1UF 50V J
C922	HCQI1H104JZT	CAP , MYLAR	0.1UF 50V J
C923	HCQI1H104JZT	CAP , MYLAR	0.1UF 50V J
C924	HCQI1H104JZT	CAP , MYLAR	0.1UF 50V J
C925	CCKT1H223ZF	CAP , CERAMIC	0.022UF 50V ZF
C925	HCQI1H103JZT	CAP , MYLAR	0.01UF 50V J
C926	HCQI1H103JZT	CAP , MYLAR	0.01UF 50V J
C927	HCQI1H103JZT	CAP , MYLAR	0.01UF 50V J
C928	HCQI1H103JZT	CAP , MYLAR	0.01UF 50V J
C929	CCEA1EH332F	CAP , ELECT	
C930	CCEA1EH222E	CAP. ELECT.	2200UF 25V
C931	HCQI1H473JZT	CAP , MYLAR	0.047UF 50V J
C932	HCQI1H473JZT	CAP , MYLAR	0.047UF 50V J
C933	HCQI1H473JZT	CAP , MYLAR	0.047UF 50V J
C934	HCQI1H473JZT	CAP , MYLAR	0.047UF 50V J
D991	CVDKBU804FMA	BRIDGE DIODE ASS'Y	KBU804F
D992	CVDKBU804FMA	BRIDGE DIODE ASS'Y	KBU804F
F903	KBA2C6300TLEZ	FUSE	
F903	KJCFC5S	HOLDER , FUSE	
F904	KBA2C6300TLEZ	FUSE	
F904	KJCFC5S	HOLDER , FUSE	
F905	KBA2C4000TLEZ	FUSE	
F905	KJCFC5S	HOLDER , FUSE	
F906	KBA2C4000TLEZ	FUSE	
F906	KJCFC5S	HOLDER , FUSE	
CN19	KJP03GA90ZM	WAFER	MOLEX35313-0310
CN20	KJP04GA90ZM	WAFER	MOLEX35313-0310
AVR507 Power supply			
			1/1
Pos	Part number	1st part name	2nd part name
T901	CLT5W011ZU	TRANS , POWER	



CUP11578





CUP11579Z-5
-VCC CUP11579Z-6
+VCC CUP11579Z-7
CUP11579Z-8

AMPLIFIER SECTION BIAS ADJUSTMENT

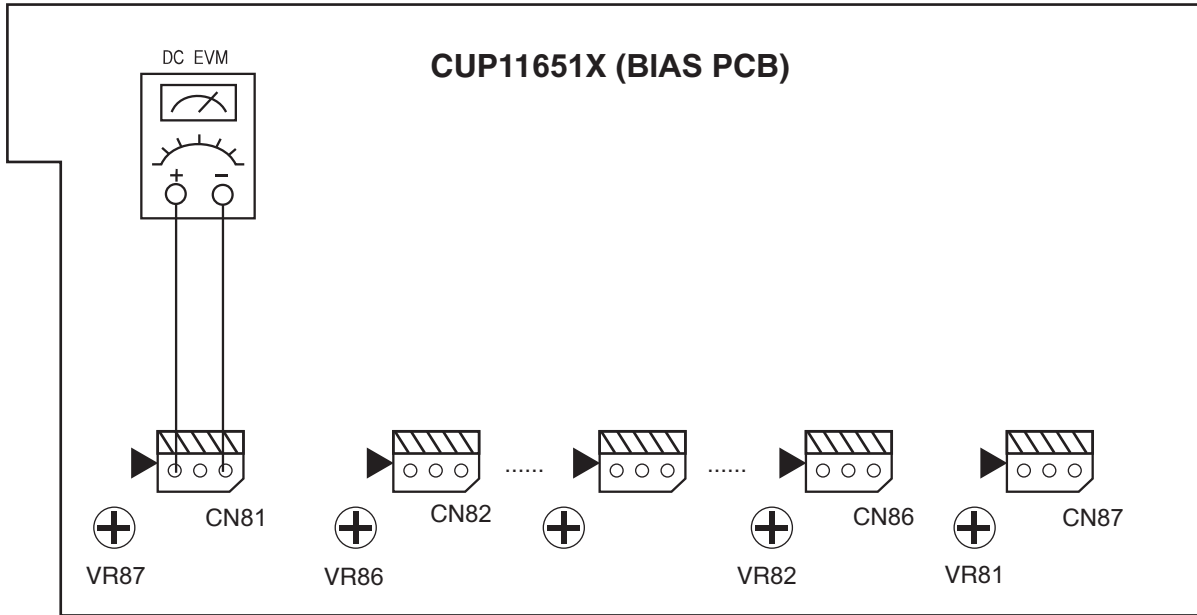
Measurement condition

. No input signal or volume position is minimum.

Standard value.

. Ideal current = 48mA (± 5%)

. Ideal DC Voltage = 25.92mV (± 5%)

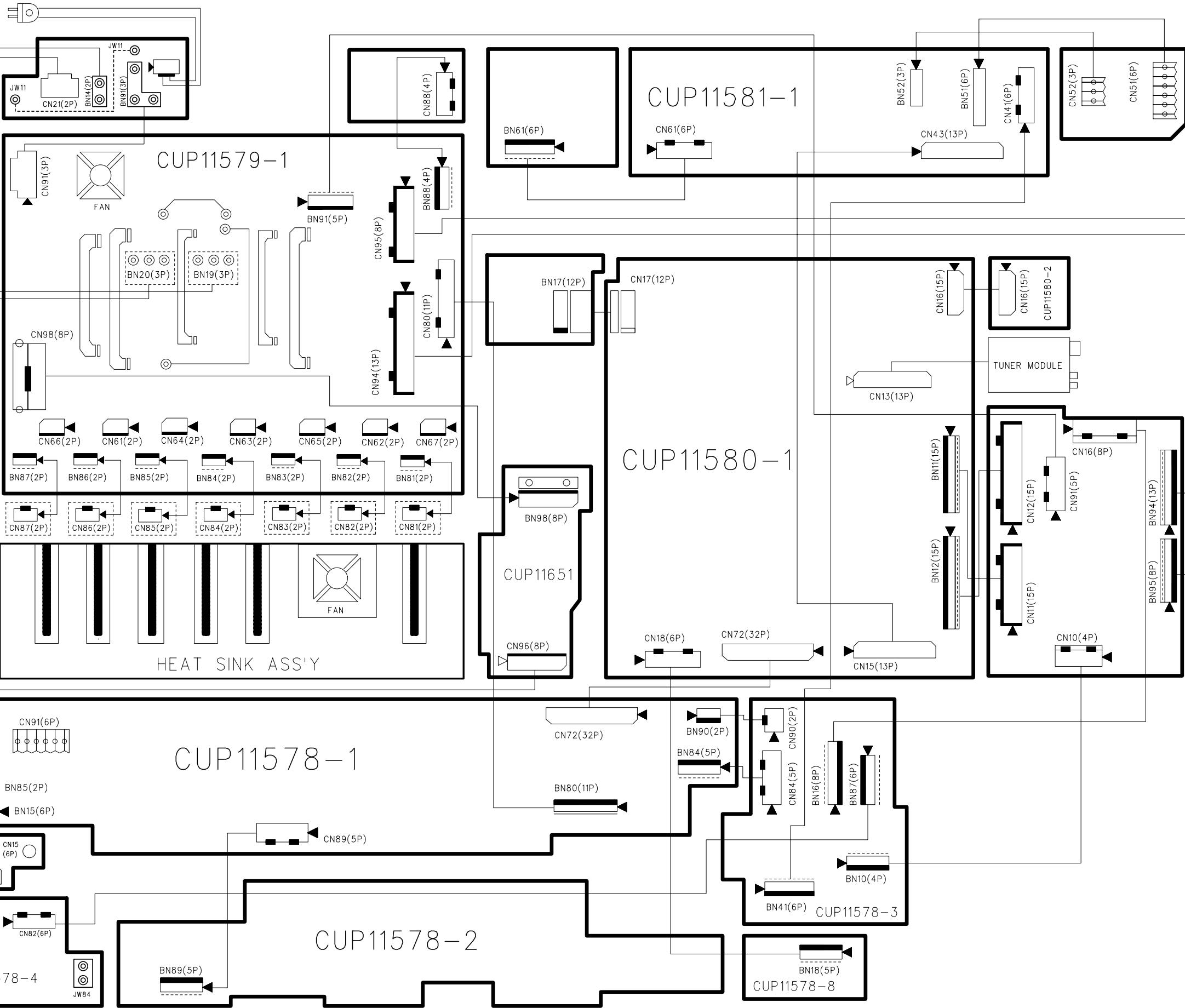


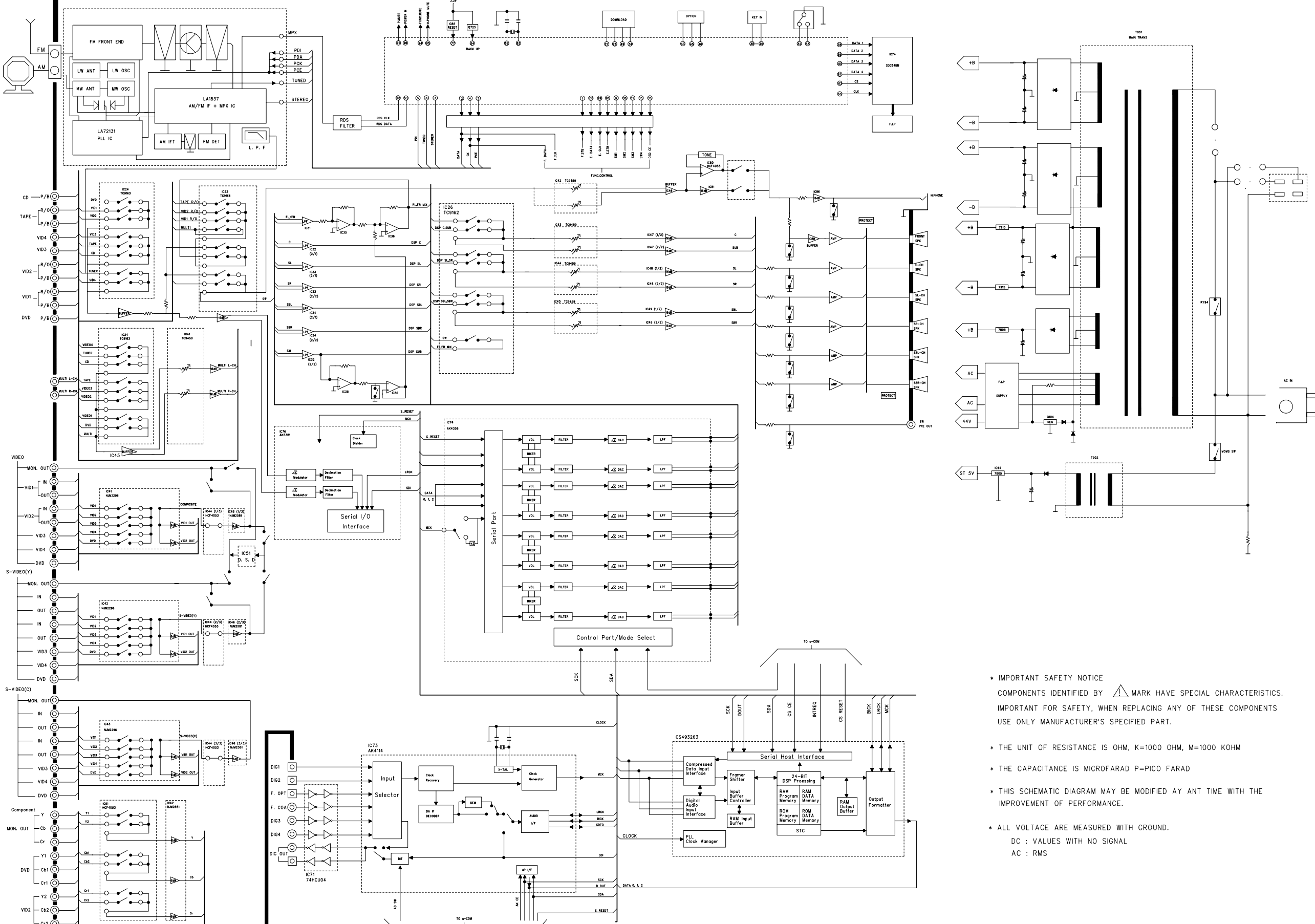
DC VOLTMETER.....Connect to CN81,CN82,CN83,CN84,CN85,CN86,CN87


NO.	Channel	Adjust for	Adjustment
1	Front Left	25.92mV (±5%)	VR83
2	Front Right	25.92mV (±5%)	VR84
3	Center	25.92mV (±5%)	VR85
4	Surround Left	25.92mV (±5%)	VR86
5	Surround Right	25.92mV (±5%)	VR87
6	Surround Back Left	25.92mV (±5%)	VR82(ONLY AVR230/330)
7	Surround Back Right	25.92mV (±5%)	VR81(ONLY AVR330)

Wiring Diagram AVR 505 and 507

USA : 120V 60Hz
EUR : 230V 50Hz





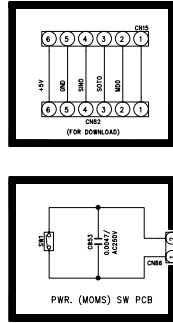
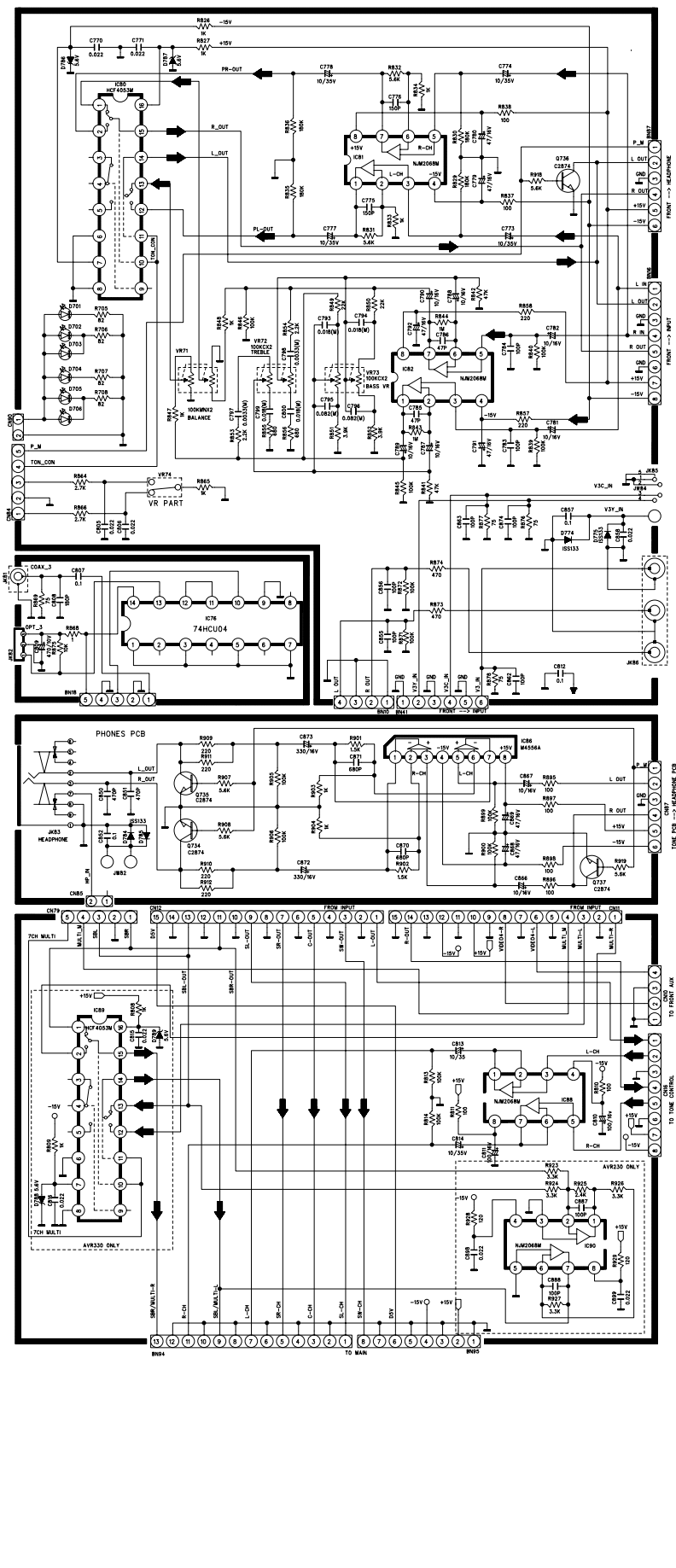
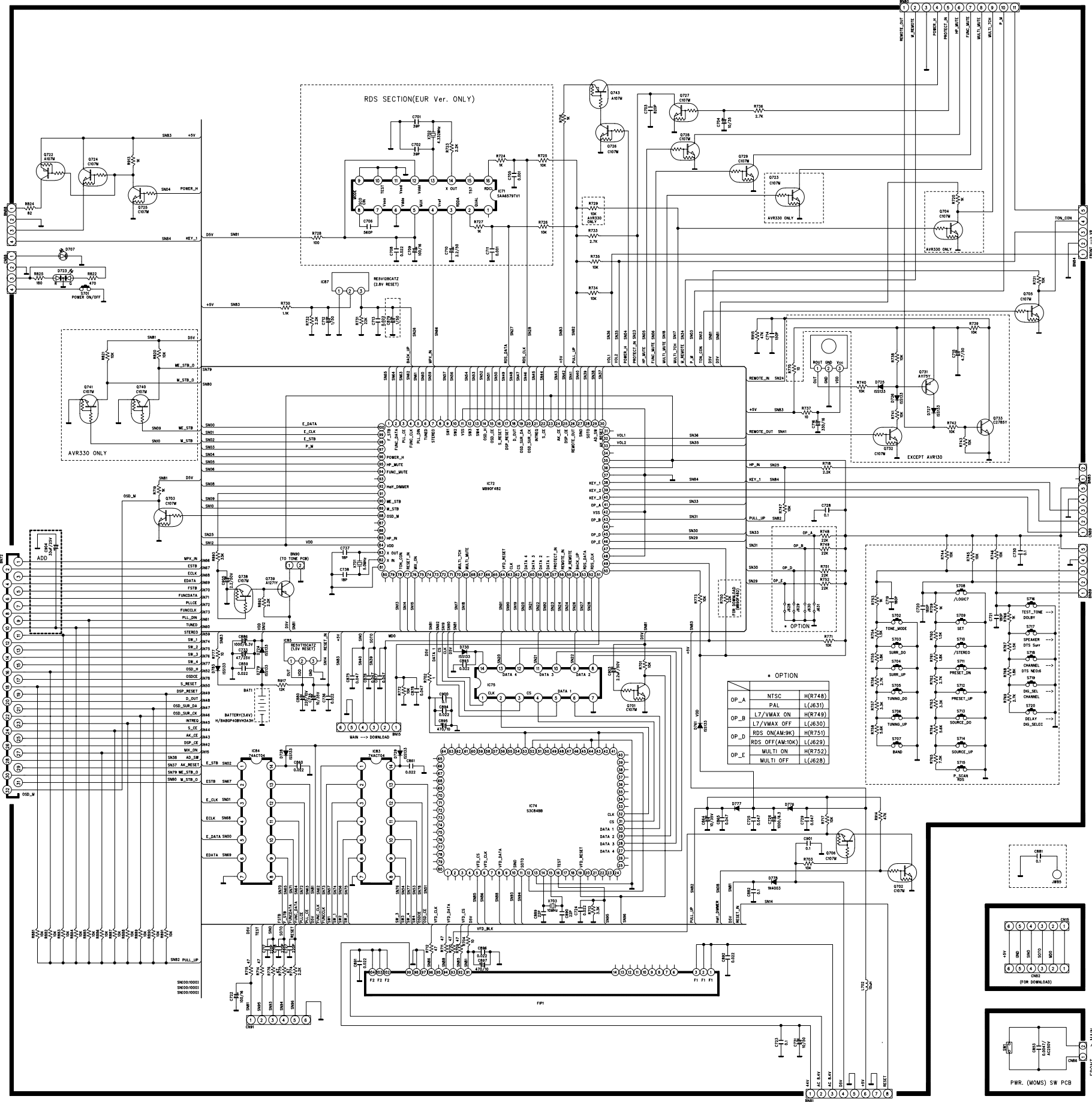
* IMPORTANT SAFETY NOTICE
 COMPONENTS IDENTIFIED BY  MARK HAVE SPECIAL CHARACTERISTICS.
 IMPORTANT FOR SAFETY, WHEN REPLACING ANY OF THESE COMPONENTS
 USE ONLY MANUFACTURER'S SPECIFIED PART.

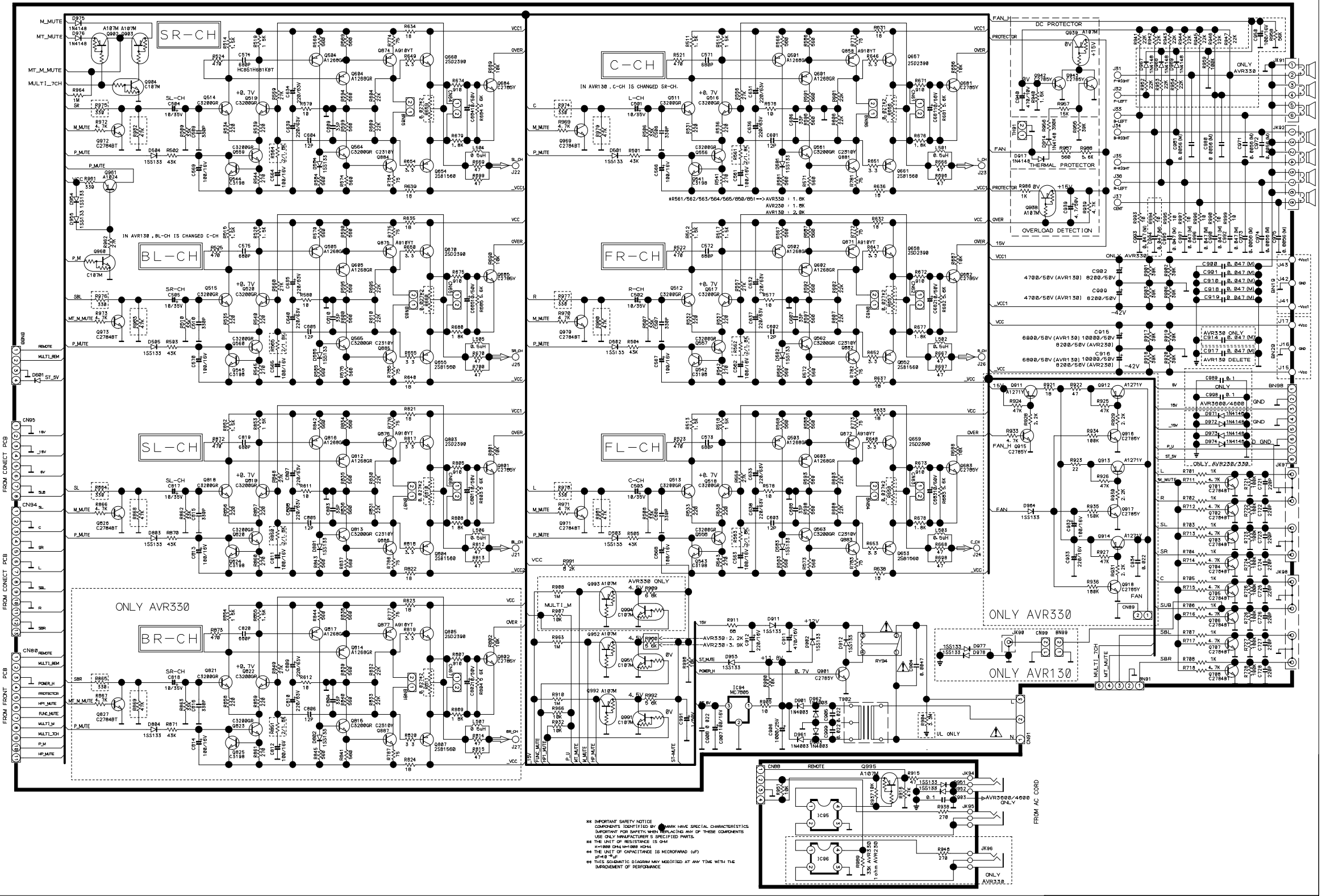
* THE UNIT OF RESISTANCE IS OHM, K=1000 OHM, M=1000 KOHM

* THE CAPACITANCE IS MICROFARAD P=PICO FARAD

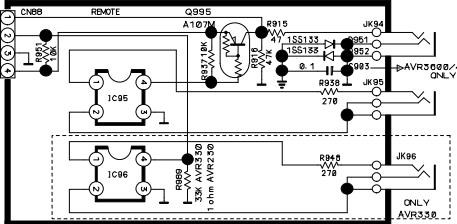
* THIS SCHEMATIC DIAGRAM MAY BE MODIFIED AT ANY TIME WITH THE
 IMPROVEMENT OF PERFORMANCE.

* ALL VOLTAGE ARE MEASURED WITH GROUND.
 DC : VALUES WITH NO SIGNAL
 AC : RMS





** IMPORTANT SAFETY NOTICE
 COMPONENTS IDENTIFIED BY MARK HAVE SPECIAL CHARACTERISTICS
 IMPORTANT FOR SAFETY: WHEN REPLACING ANY OF THESE COMPONENTS
 USE ONLY MANUFACTURER'S SPECIFIED PARTS.
 * THE UNIT OF RESISTANCE IS OHM
 * THE UNIT OF CAPACITANCE IS MICROFARAD (uF)
 * THIS SCHEMATIC DIAGRAM MAY BE MODIFIED AT ANY TIME WITH THE
 IMPROVEMENT OF PERFORMANCE



ONLY AVR330

ONLY AVR130

ONLY AVR130

ONLY AVR330

ONLY AVR330

ONLY AVR330

ONLY AVR330

ONLY AVR330

ONLY AVR330

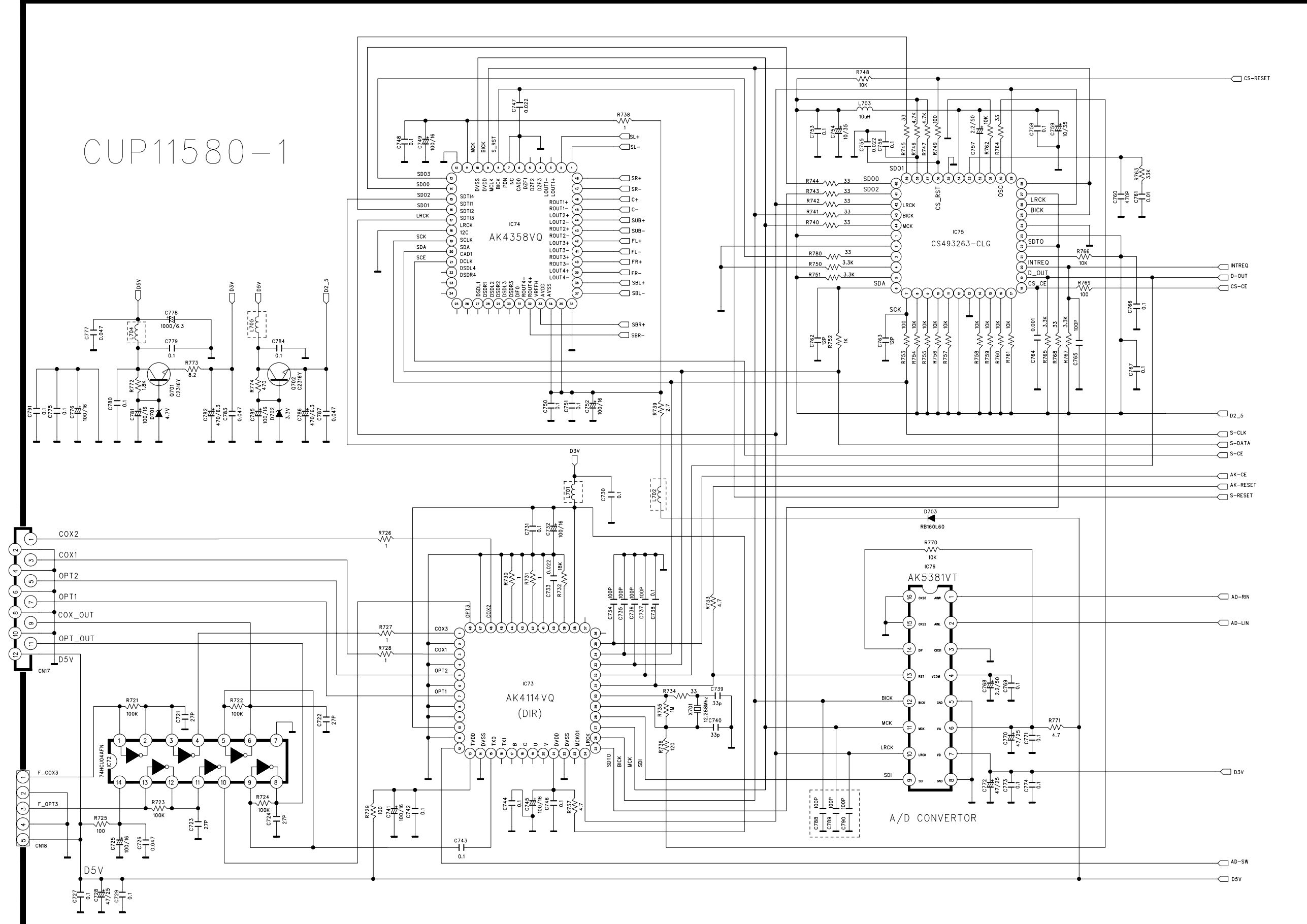
FROM FRONT PCB

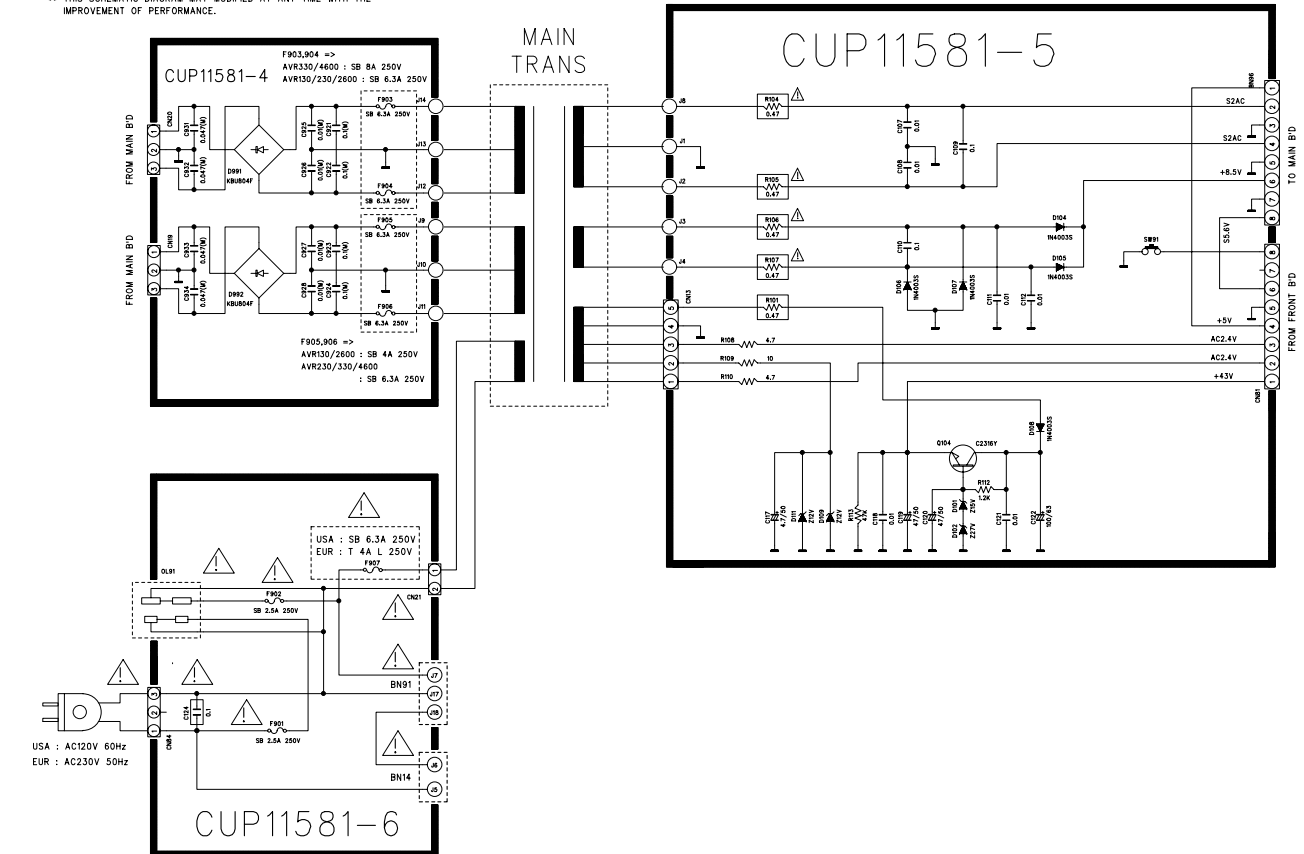
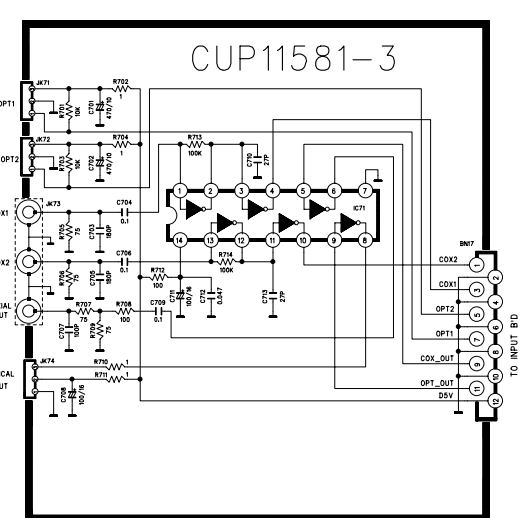
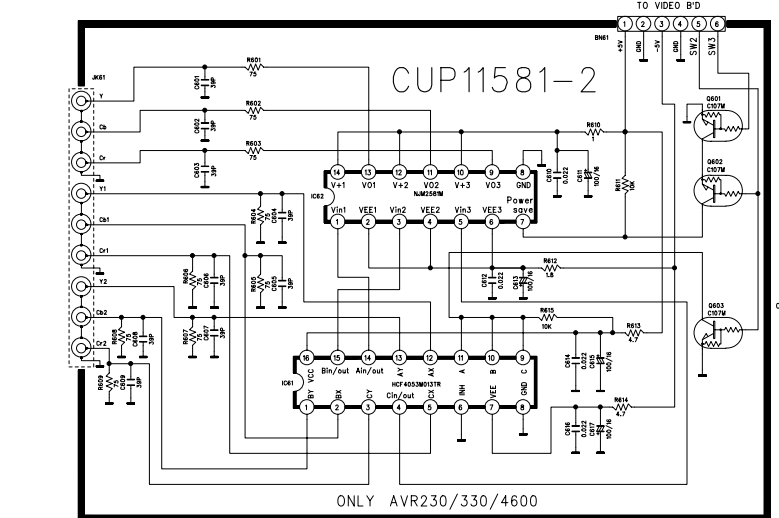
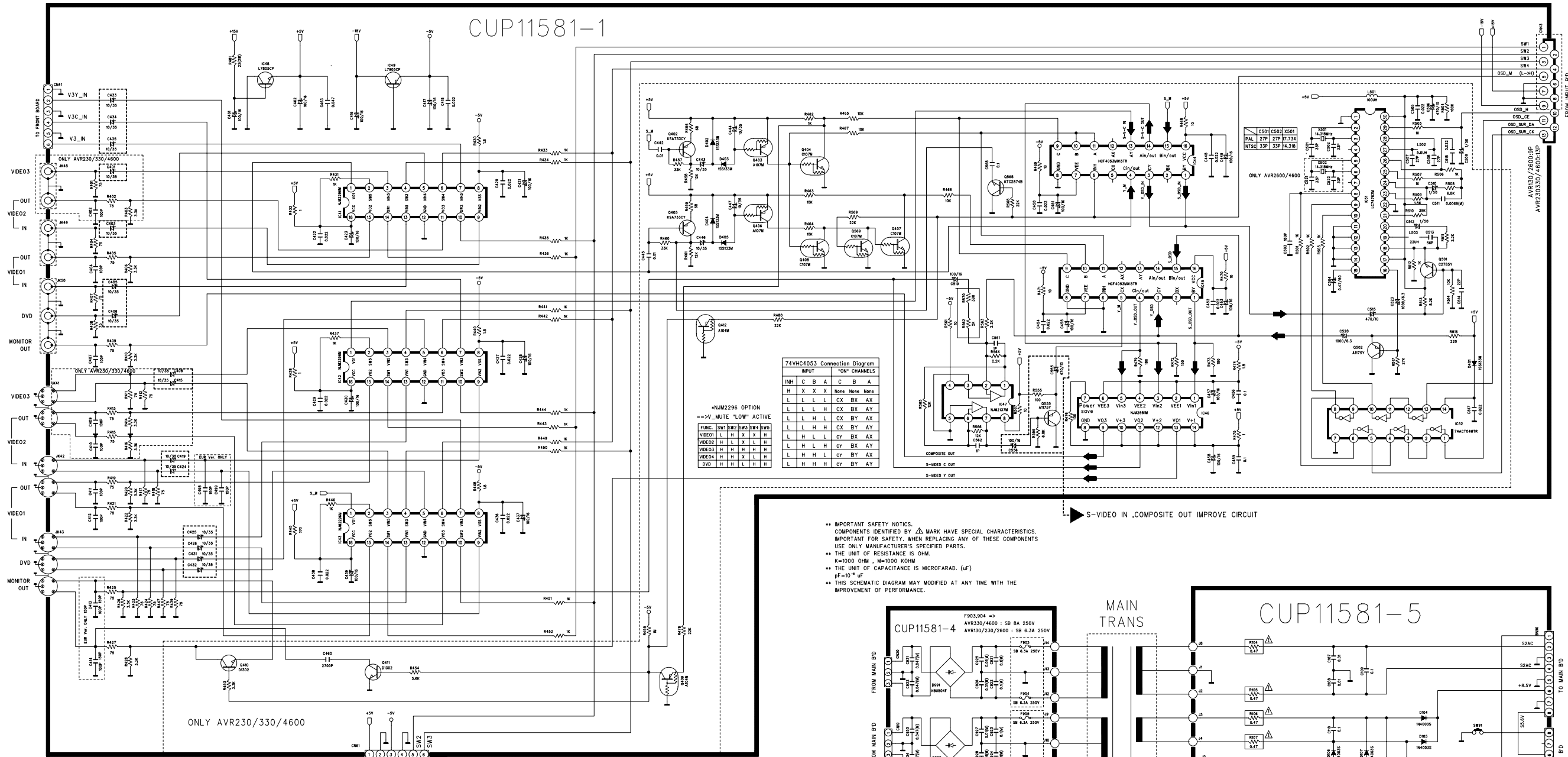
FROM CONNECT PCB

FROM FRONT PCB

FROM AC CORD

CUP11580-1

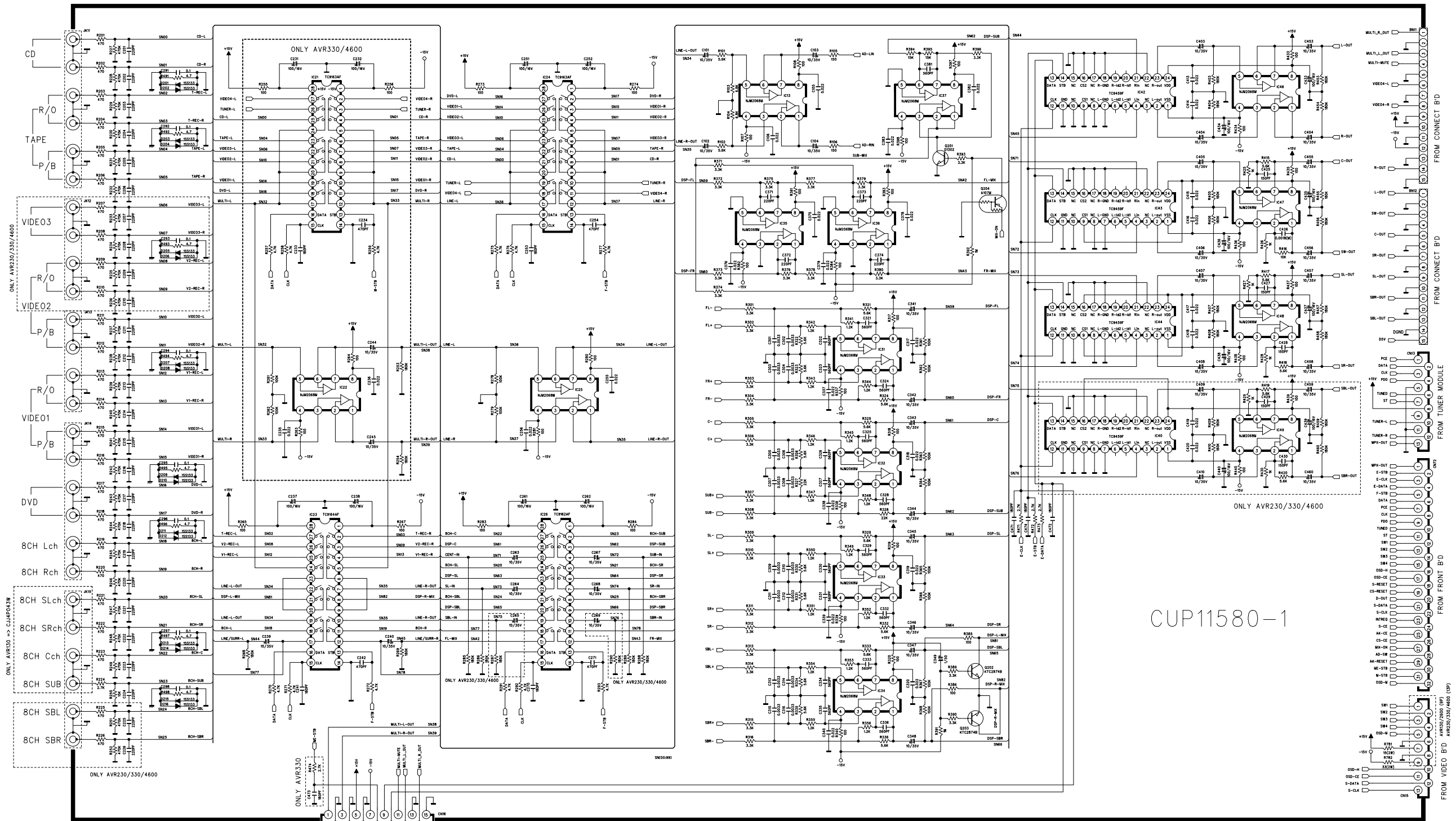




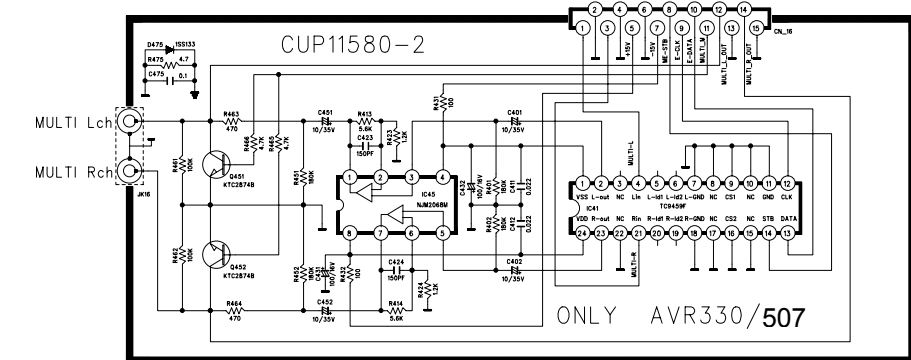
♦♦ IMPORTANT SAFETY NOTICES.
COMPONENTS IDENTIFIED BY Δ MARK HAVE SPECIAL CHARACTERISTICS.
IMPORTANT FOR SAFETY: WHEN REPLACING ANY OF THESE COMPONENTS
USE ONLY MANUFACTURER'S SPECIFIED PARTS.

- ♦♦ THE UNIT OF RESISTANCE IS OHM.
- ♦♦ K=1000 OHM, M=1000 KOHM
- ♦♦ THE UNIT OF CAPACITANCE IS MICROFARAD. (μ F)
- ♦♦ μ F=10⁻⁶ F
- ♦♦ THIS SCHEMATIC DIAGRAM MAY MODIFIED AT ANY TIME WITH THE IMPROVEMENT OF PERFORMANCE.

▶ S-VIDEO IN ,COMPOSITE OUT IMPROVE CIRCUIT



CUP11580-1



ONLY AVR330/507

- IMPORTANT SAFETY NOTICES.
- COMPONENTS IDENTIFIED BY Δ MARK HAVE SPECIAL CHARACTERISTICS.
- IMPORTANT FOR SAFETY, WHEN REPLACING ANY OF THESE COMPONENTS USE ONLY MANUFACTURER'S SPECIFIED PARTS.
- THE UNIT OF RESISTANCE IS OHM.
- K=1000 OHM, M=1000 KOHM
- THE UNIT OF CAPACITANCE IS MICROFARAD. (μ F)
- μ F=10⁻⁶ F
- THIS SCHEMATIC DIAGRAM MAY MODIFIED AT ANY TIME WITH THE IMPROVEMENT OF PERFORMANCE.