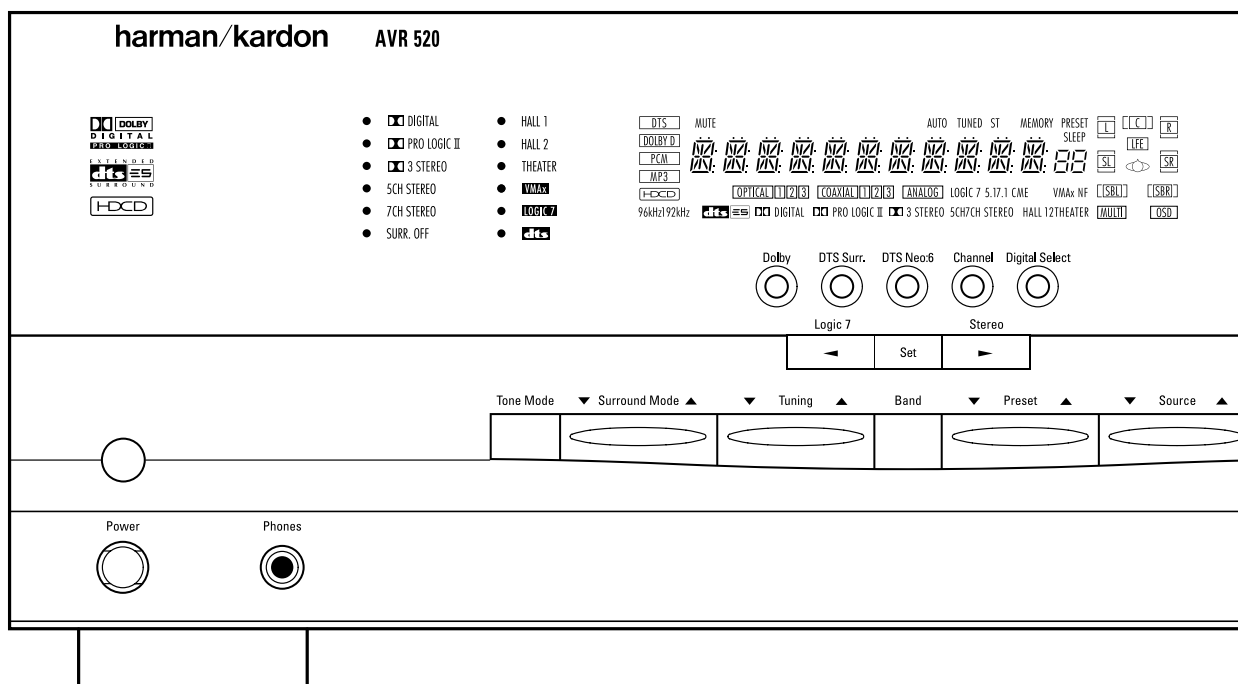


# AVR 5500 Audio/Video Receiver

## SERVICE MANUAL



harman/kardon®

Power for the Digital Revolution.™

# Technical Specifications

## Audio Section

Stereo Mode

Continuous Average Power (FTC)

85 Watts per channel, 20Hz–20kHz,  
@ < 0.07% THD, both channels driven into 8 ohms

Five-Channel Surround Modes

Power Per Individual Channel

Front L&R channels:  
75 Watts per channel  
@ < 0.07% THD, 20Hz–20kHz into 8 ohms

Center channel:  
75 Watts @ < 0.07% THD, 20Hz–20kHz into 8 ohms

Surround channels:  
75 Watts per channel  
@ < 0.07% THD, 20Hz–20kHz into 8 ohms

Input Sensitivity/Impedance

Linear (High-Level) 200mV/47k ohms

Signal-to-Noise Ratio (IHF-A) 95dB

Surround System Adjacent Channel Separation

Analog Decoding 40dB  
(Pro Logic II, etc.)

Dolby Digital (AC-3) 55dB  
DTS 55dB

Frequency Response

@ 1W (+0dB, –3dB) 10Hz – 100kHz

High Instantaneous

Current Capability (HCC) ±45 Amps

Transient Intermodulation

Distortion (TIM) Unmeasurable

Rise Time 16 µsec

Slew Rate 40V/µsec

## FM Tuner Section

Frequency Range 87.5–108MHz

Usable Sensitivity IHF 1.3 µV/13.2dB

Signal-to-Noise Ratio Mono/Stereo 70/68dB

Distortion Mono/Stereo 0.2/0.3%

Stereo Separation 40dB @ 1kHz

Selectivity ±400kHz, 70dB

Image Rejection 80dB

IF Rejection 90dB

Tuner Output Level 1kHz, ±75kHz Dev 500mV

## AM Tuner Section

Frequency Range 520–1710kHz

Signal-to-Noise Ratio 45dB

Usable Sensitivity Loop 500µV

Distortion 1kHz, 50% Mod 0.8%

Selectivity ±10kHz, 30dB

## Video Section

Television Format PAL

Input Level/Impedance 1Vp-p/75 ohms

Output Level/Impedance 1Vp-p/75 ohms

Video Frequency Response  
(Composite and S) 10Hz–8MHz (–3dB)

Video Frequency Response  
(Component) 10Hz–35MHz (–3dB)

## General

Power Requirement AC 230V/50Hz

Power Consumption W idle, W maximum  
(2 channels driven)

Dimensions (Max)

Width 17.3 inches (440mm)

Height 6.5 inches (165mm)

Depth 17.1 inches (435mm)

Weight 35 lb (15.9 kg)

Depth measurement includes knobs, buttons and terminal connections.

Height measurement includes feet and chassis.

All features and specifications are subject to change without notice.

Harman Kardon is a registered trademark, and Power for the Digital Revolution is a trademark, of Harman Kardon, Inc.

**IIIIEzSet** is a trademark of Harman International Industries, Inc. (Patent No. 5,386,478).

\*Manufactured under license from Dolby Laboratories.

"Dolby," "Pro Logic," "Pro Logic II" and the Double-D symbol are trademarks of Dolby Laboratories. Confidential Unpublished Works. ©1992–1999 Dolby Laboratories, Inc. All rights reserved.

DTS, DTS Surround, DTS-ES and DTS Neo:6 are trademarks of Digital Theater Systems, Inc.

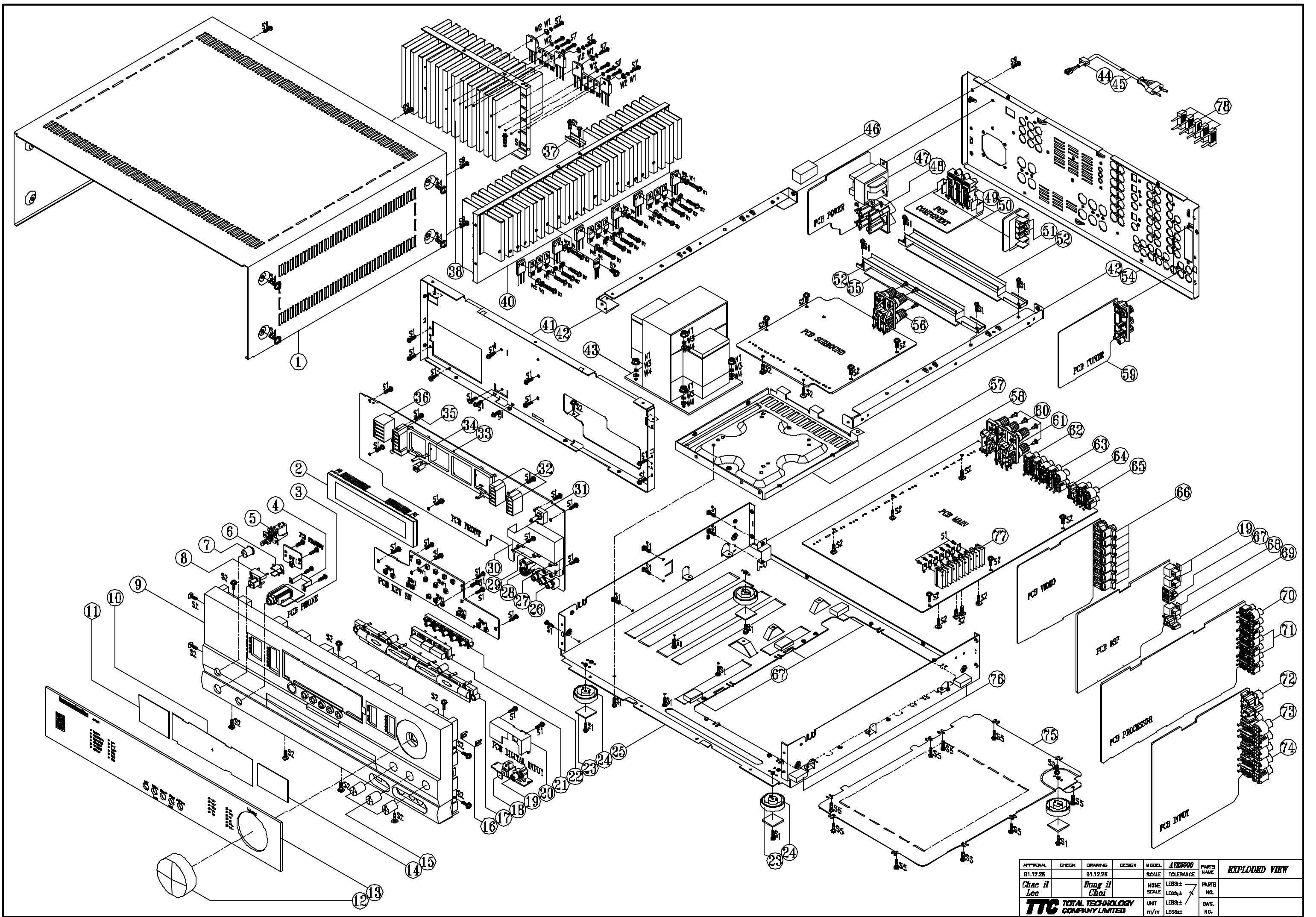
UltraStereo is a trademark of UltraStereo Corp.

VMAx is a registered trademark of Harman International Industries, Inc., and is an implementation of Cooper Bauck Transaural Stereo under patent license.

Logic 7 is a registered trademark of Lexicon, Inc.

Crystal is a registered trademark of Cirrus Logic Corp.

HDCD system manufactured under license from Pacific Microsonics, Inc. This product is covered by one or more of the following: In the USA: 5,479,168; 5,638,074; 5,640,161; 5,808,574; 5,838,274; 5,854,600; 5,864,311; 5,872,531; and in Australia: 669114. Other patents pending.



APPROVAL	CHECK	DRAWING	DESIGN	MODEL	AVI8500	PARTS NAME	EXPLODED VIEW
B1.12.25		B1.12.25		SCALE	TOLERANCE	PARTS	
Chac il		Dong il		NONE	LESB±	NL	
Lec		Choi		SCALE	LESB±	DWG.	
				UNIT	LESB±	NO.	
				m/m	LESB±		

**TTC** TOTAL TECHNOLOGY COMPANY LIMITED

## AVR5500 EXPLODED VIEW PART LIST

NO.	TOCMM#	QTY	SNAME
1	55178050XX	1	AC PUN COVER TOP
2	55182450NR	1	DISPLAY VFD HVA-16LL18
3	55088400XX	1	CONN-PHJAC 6.35 ST HDRZ EST-J6313 BK D O
4	55124350XX	1	AC PUN BRACKET HEADPHONE
5	55178000NR	1	SW PUSH POWER SWITCH 5.0A 250.0V 160M00HM 1T 2P
6	55178020XX	1	AC MLD BUTTON INDICATOR STAND-BY
7	55177810XX	1	AC DEC BUTTON POWER
8	55177820XX	1	AC DEC BUTTON STANDBY
9	55262380XX	1	AC DEC CABINET PANEL FRONT AVR5500
10	55177800XX	1	AC DEC CRYSTAL FILTER DISPLAY
11	55181580XX	1	AC NON-METAL DIFFUSER 0.2T 62.5*41 WH
12	55177740XX	1	AC DEC KNOB MAIN HPS 94H
13	55247230XX	1	AC DEC CRYSTAL DISPLAY AVR5500
14	55177890XX	1	AC NON-METAL DIFFUSER 0.2T 58.8*41 WH
15	55177750XX	3	AC DEC KNOB TONE
16	55178030XX	2	AC MLD BUTTON INDICATOR VIDEO 4
17	55177790XX	1	AC DEC BUTTON 7 KEY
18	55128440XX	3	D-LEM TDTX1788 RD RND CL
19	55175240XX	1	CON PHONO SCKT RCA 1P W/GND JED10003MG
20	55182580XX	1	AC PUN SHIELD DIGITAL ET
21	55177780XX	1	AC DEC BUTTON 3 KEY
22	55177780XX	1	AC DEC BUTTON 5 KEY
23	55174780XX	4	AC FOOT RUBBER ROUND 3.0MM 25.0MM JIS 80 Y DIA
24	55178110XX	4	AC FOOT ASSY ROUND 12.5MM 50MM
25	55178070XX	1	AC CPL CABINET CHASSIS MAIN SECC 1.0T
26	55113740XX	1	CON PHONO SCKT RCA-307 3 PINS
27	5517991000	2	FR-ROT 100K0 OHM NON-LINEAR RK14K12400BQ O O
28	55113800XX	1	CON DIN SCKT SOCKET CONNECTOR SVHS EST-S408J
29	5517992000	1	FR-ROT 100K0 OHM NON-LINEAR RK14K12400BR O O
30	55177570XX	1	AC PUN SHIELD FENCE TONE
31	55134900NR	1	SWROT EC16824264AB 0V 00000A 10T 3P O O
32	55178840XX	2	AC PLASTIC MOLD REFRACTOR E WH
33	55178440XX	1	AC MLD HOLDER FL-GUIDE
34	55156830XX	1	IC-REMOTE RPN6838-RSIP-A3 RECEIVER 38KHZ
35	55177980XX	1	AC PLASTIC MOLD REFRACTOR C WH
36	55178830XX	1	AC PLASTIC MOLD REFRACTOR F WH
37	55256710XX		AC PUN BRACKET HEATSINK SECC1.2T
38	55181780XX	1	AC METAL HEATSINK(SURR)
39	BLANK		
40	55181780XX	1	AC METAL HEATSINK(MAIN)
41	55178250XX	1	AC CPL CABINET CHASSIS FRONT SECC 1.0T
42	55178170XX	2	AC PUN BRACKET FRAME-GUIDE SECC T1.0
43	55183810NR	1	TF-LAM POWER-TURNFORMER 230V
44	55128180XX	1	AC MLD CLAMP AC CORD
45	55188880XX	1	WIRE-MCRDM 0.75MM2 1830MM BK CORD POWER DE
46	55178400XX	1	AC BUFFER CUSHION (A) EVA
47	55156850NR	1	TF-LAM POWER-TURNFORMER 230V
48	55246780NR	1	CONN-SPE AC OUTLET 2P 220V
49	55176380XX	1	CON PHONO SCKT RCA 9P W/GND CAP JK080122LN
50	55178420XX	4	AC PUN BRACKET BKT GROUND ET 0.5T
51	55176380XX	3	CON PHONO SCKT STEREO JACK JW3905
52	55178230XX	2	AC PUN BRACKET PCB
53	BLANK		
54	55247250XX	1	AC CPL REAR PANEL AVR5500
55	55178300XX	3	AC BUFFER CUSHION-BRKT EVA
56	55181380XX	1	CONN-SPE TERMINAL SPKR 4P SHD410376P
57	55178890XX	1	AC PUN COVER TRANS BOTTOM T1.0
58	55262430XX	1	AC PUN BRACKET PROTECT
59	55227740XX	1	AC VSA ASY KST-M1114MW1-80 TU MODULE
60	55261080XX	10	AC PLASTIC KNOB CORK SHD8M79080 BK
61	55191480XX	1	CONN-SPE TERMINAL SPKR 8P
62	55181420XX	1	CON PHONO SCKT RCA 4P JM-4104RSA
63	55181480XX	1	CON PHONO SCKT RCA 6P JM-4105RSB
64	55181370XX	1	CON PHONO SCKT RCA 1P JACK JED10003XN
65	55178330XX	1	CON PHONO SCKT RCA 4P JM4104RS GND
66	55149520XX	7	CON DIN SCKT MIX SOCKET RCA-118P15
67	55181800XX	1	CON PHONO SCKT RCA 2P W/GND CAP JM-1502SN 00
68	55128440NR	1	D-LEM TDTX1788 RD RND CL
69	55175850XX	1	CON PHONO SCKT RCA 1P W/GND JED10003MN
70	55176380XX	1	CON PHONO SCKT RCA 6P JM-4108RSS N/GND CAP
71	55176330XX	1	CON PHONO SCKT RCA 4P JM4104RS GND
72	55207740XX	1	CON PHONO SCKT RCA 2P JED21163TN BRN/TAN
73	55181410XX	1	CON PHONO SCKT RCA 4P JM-4104RSB
74	55191880XX	1	CON PHONO SCKT RCA 6P JM4108RSB W/GND CAP
75	55178080XX	1	AC PUN COVER BOTTOM SECC T1.0
76	55125220XX	11	AC BUFFER PCB
77	55176400XX	1	AC METAL HEATSINK REB 118*28*20H
78	55182880NR	5	CONN-SPE JUMPER PLUG 2PIN
79	BLANK		
80	BLANK		

XX	55178880XX	1	AC SPRING PLATE SPRING GND C5212 0.2T
XX	55148840NR	1	FCORE FERRIT MAGNET RING34 34.5X21X12 K-150
XX			
51	55127070XX	64	SCREW-ST 3MM 10MM
52	55127120XX	34	SCREW-ST 3MM 8MM
53	55309240XX	4	SCREW-SPEC 4MM 10MM
54	55127080XX	8	SCREW-ST 4MM 8MM
55	55127280XX	10	SCREW-ST 3MM 8MM
56	55184800XX	1	SCREW 3MM 8MM
57	55178320XX	25	SCREW-ST 3MM 12MM
58	55136480XX	50	SCREW-SPEC 3MM 10MM
N1	55309350XX	4	NUT-HEXAGON 4.0MM 5.0MM CIRCULAR EXTERNAL 53

W1	55127300XX	15	WASHER-SPRING 3
W2	55127310XX	10	WASHER-FLAT 3
W3	55168880XX	4	WASHER-SPRING 4
W4	55131730XX	4	WASHER-FLAT 4

	20932870XX	2	AC PRI LABEL QC CHECK CRK01217(20X13MM)
	55149150XX	2	AC PRI LABEL RISK
	55174780XX	1	AC PRI LABEL DATE
	55247270XX	2	AC PRI LABEL SERIAL AVR5500
	55247280XX	2	AC PRI LABEL BARCODE AVR5500
	55178820XX	1	AC PRI LABEL "PLEASE REMOVE..."

	<b>AVR 2500</b>	<b>AVR 3500</b>	<b>AVR 4500</b>	<b>AVR 5500</b>
Remote Control	55242980	55242990	55262320/55178550	55262330/55178550
Power Transformer 230V	55201720	55201720	55274640	55163910
St-By Transformer 230V	55155650	55155650	55155650	55155650
Carton Box	55243010XX	55243020XX	5524300XX	5524310XX
Micro controller Main IC201	55267250	55267250	5528593	5528593
Micro controller SUB IC128			5528595	5528595
Key SW PCB asm	55243610	55245880	55315730	55315700
Front PCB asm	55246230	55245850	55261830	55261820
Main PCB asm	55246120	55245840	55261860	55261840
Video PCB asm	55243640	55245890	55261900	55261890
DSP PCB asm	55243670	55245900	55261880	55261870
Processor PCB asm	55243540	55245860	55196680	55182700
Tuner PCB asm	5522774A	5522774A	55317330	55317330
Surround PCB asm	55271240	55245870	55261930	55261940
Component PCB asm				
Input PCB asm			55261920	55261910

**PART NO** : 55261950

**TITEL** : AC ASY ACCESSORY AVR5500 OEM

Pos	Tocom#	Pkg	M/	St	Qt	Unit	SName
0050	55127490		B	so	1	PCE	ANTENNA WIRE ANTENNA LOOP CT01-AM 0 0
0070	55020220	NR	B	po	5	PCE	BATNCALK 1.5V AAA 1.15 AH
0130	55127460		B	so	1	PCE	ANTENNA WIRE 75 OHM WIRE CT03-FM 0 0

PART NO : 55261870

TITEL : AC EMBD IMA DSP BD AVR5500

Pos	Tocom#	Pkg	M/B	St	Qty	Unit	SName
010	55262020		M	SO	1	PCE	AC ESABD IAU DSP BD AVR5500
040	20290150		B	so	0.015	KG	SOLDER BAR 52SN/45PB/3SB BAR
041	15481260		B	so	0.015	L	SLDC FLUX LRES FOAM SM32DHT-2
C504	20269180	AM	B	so	1	PCE	CE 1MI0F +20% 6.3V 85C
C505	20269180	AM	B	so	1	PCE	CE 1MI0F +20% 6.3V 85C
C506	20269180	AM	B	so	1	PCE	CE 1MI0F +20% 6.3V 85C
CN102	55174670		B	so	1	PCE	CONN 2.0MM 19 MA R NAT SOCKET MOLEX 35237-1910 0 0
CN103	55174660		B	so	1	PCE	CONN 2.0MM 17 MA R NAT SOCKET MOLEX 35237-1710 0 0
CN105	55175860	NR	B	so	1	PCE	WIRECONASY UNIQUE 5P 480MM UL1007 PVC DISCRETE 26 1
CN106	55191240	NR	B	so	1	PCE	WIRECONASY UNIQUE 3P 500MM UL1007 PVC DISCRETE 26 1
CP101	55123390		B	so	1	PCE	CONN 2.0MM 5 MA R NAT LW2003P05 0 0
CP102	55123390		B	so	1	PCE	CONN 2.0MM 5 MA R NAT LW2003P05 0 0
JAC1	55175240		B	so	1	PCE	CON PHONO SCKT RCA 1P W/GND JE010003MG
JAC2	55125430	NR	B	so	1	PCE	D-LEM TORX178B RD RND CL
JK101	55125430	NR	B	so	1	PCE	D-LEM TORX178B RD RND CL
JK102	55125430	NR	B	so	1	PCE	D-LEM TORX178B RD RND CL
JK103	55125440	NR	B	so	1	PCE	D-LEM TOTX178B RD RND CL
JK105	55191600		B	so	1	PCE	CON PHONO SCKT RCA 2P W/GND CAP JW-1502SN OO
JK106	55175950		B	so	1	PCE	CON PHONO SCKT RCA 1P W/GND JE010003MN
OSC101	55126130	NR	B	so	1	PCE	VCXO 12M288 HZ +50 PPM -50 PPM 0 OHM
OSC102	55126140	NR	B	so	1	PCE	CRESONATOR 10M0 HZ 25.0 OHM 0F
RY101	55179930	NR	B	so	1	PCE	RELAYPWR 5.0V 166.0OHM 1.0A 24.0V
SHILD	55182550		B	ud	1	PCE	AC PUN SHIELD DIGITAL ET
T101	55176540	NR	B	so	1	PCE	TFPULSE TRANSFORMER 110UH FP-110 FERRIT MAGNET
T102	55176550	NR	B	so	1	PCE	TFPULSE TRANSFORMER 110UH FP-120 FERRIT MAGNET
W1	55180120	NR	B	so	1	PCE	WIRECONASY UNIQUE 1P 100MM UL1007 PVC DISCRETE 18 1
020	55188910		X	ud	1	PCE	AC SCHEMATIC DSP BD AVR520 OEM

PART NO : 55262020

TITEL : AC ESABD IAU DSP BD AVR5500

Pos	Tocom#	Pkg	M/B	St	Qty	Unit	SName
040	55182530		B	po	1	PCE	AC PCB DSP AVR520 DUAL LAYERS
C132	20266570	71	B	so	1	PCE	CPF 68N0F +10% 50.0V
C301	15002130	30	B	so	1	PCE	CE 10U0F +20% 16.0V 85C
C501	10121000	39	B	so	1	PCE	CE 10U0F +20% 16.0V 85C
C502	20268850	30	B	so	1	PCE	CE 2U2F +20% 50.0V 85C
C507	10121000	39	B	so	1	PCE	CE 10U0F +20% 16.0V 85C
C508	10121000	39	B	so	1	PCE	CE 10U0F +20% 16.0V 85C
C509	10121000	39	B	so	1	PCE	CE 10U0F +20% 16.0V 85C
C510	10121000	39	B	so	1	PCE	CE 10U0F +20% 16.0V 85C
C511	20267830	30	B	so	1	PCE	CE 47U0F +20% 16.0V 85C
C512	10121000	39	B	so	1	PCE	CE 10U0F +20% 16.0V 85C
C513	10121000	39	B	so	1	PCE	CE 10U0F +20% 16.0V 85C
C514	20268840	30	B	so	1	PCE	CE 1U0F +20% 50.0V 85C
C515	20268840	30	B	so	1	PCE	CE 1U0F +20% 50.0V 85C
C516	10121000	39	B	so	1	PCE	CE 10U0F +20% 16.0V 85C
C517	10121000	39	B	so	1	PCE	CE 10U0F +20% 16.0V 85C

C518	10121000	39	B	so	1	PCE	CE 10U0F +20% 16.0V 85C
C519	10121000	39	B	so	1	PCE	CE 10U0F +20% 16.0V 85C
C520	20268840	30	B	so	1	PCE	CE 1U0F +20% 50.0V 85C
C521	20268840	30	B	so	1	PCE	CE 1U0F +20% 50.0V 85C
C522	20267830	30	B	so	1	PCE	CE 47U0F +20% 16.0V 85C
C523	10121000	39	B	so	1	PCE	CE 10U0F +20% 16.0V 85C
C524	10121000	39	B	so	1	PCE	CE 10U0F +20% 16.0V 85C
C525	10121000	39	B	so	1	PCE	CE 10U0F +20% 16.0V 85C
C526	10121000	39	B	so	1	PCE	CE 10U0F +20% 16.0V 85C
C527	10121000	39	B	so	1	PCE	CE 10U0F +20% 16.0V 85C
C528	10121000	39	B	so	1	PCE	CE 10U0F +20% 16.0V 85C
C529	20268840	30	B	so	1	PCE	CE 1U0F +20% 50.0V 85C
C530	20268840	30	B	so	1	PCE	CE 1U0F +20% 50.0V 85C
C531	20267830	30	B	so	1	PCE	CE 47U0F +20% 16.0V 85C
C532	10121000	39	B	so	1	PCE	CE 10U0F +20% 16.0V 85C
C533	10121000	39	B	so	1	PCE	CE 10U0F +20% 16.0V 85C
C534	10121000	39	B	so	1	PCE	CE 10U0F +20% 16.0V 85C
C535	10121000	39	B	so	1	PCE	CE 10U0F +20% 16.0V 85C
C536	10121000	39	B	so	1	PCE	CE 10U0F +20% 16.0V 85C
C537	10121000	39	B	so	1	PCE	CE 10U0F +20% 16.0V 85C
C538	20268840	30	B	so	1	PCE	CE 1U0F +20% 50.0V 85C
C539	20268840	30	B	so	1	PCE	CE 1U0F +20% 50.0V 85C
C540	20267830	30	B	so	1	PCE	CE 47U0F +20% 16.0V 85C
C541	10121000	39	B	so	1	PCE	CE 10U0F +20% 16.0V 85C
C542	10121000	39	B	so	1	PCE	CE 10U0F +20% 16.0V 85C
C543	20269110	30	B	so	1	PCE	CE 330U0F +20% 6.3V 85C
C544	20269110	30	B	so	1	PCE	CE 330U0F +20% 6.3V 85C
C545	10121000	39	B	so	1	PCE	CE 10U0F +20% 16.0V 85C
C546	20252560	30	B	so	1	PCE	CE 220U0F +20% 6.3V 85C
C547	10121000	39	B	so	1	PCE	CE 10U0F +20% 16.0V 85C
C548	20269070	30	B	so	1	PCE	CE 100U0F +20% 25.0V 85C
C549	20269070	30	B	so	1	PCE	CE 100U0F +20% 25.0V 85C
C550	20267830	30	B	so	1	PCE	CE 47U0F +20% 16.0V 85C
C551	20267830	30	B	so	1	PCE	CE 47U0F +20% 16.0V 85C
C552	10121000	39	B	so	1	PCE	CE 10U0F +20% 16.0V 85C
C553	10121000	39	B	so	1	PCE	CE 10U0F +20% 16.0V 85C

**PART NO** : 55262140

**TITEL** : AC ESABD SMD TOP DSP BD AVR5500

Pos	Tocom#	Pkg	M/B	St	Qty	Unit	SName
BD10	55126690	50	B	so	1	PCE	FBEAD SURFACE MT 2500OHM FCM2012H-252T02
BD13	55126690	50	B	so	1	PCE	FBEAD SURFACE MT 2500OHM FCM2012H-252T02
BD18	55126690	50	B	so	1	PCE	FBEAD SURFACE MT 2500OHM FCM2012H-252T02
BD19	55126650	50	B	so	1	PCE	FBEAD SURFACE MT 300OHM FCM2012V-301T07
BD22	55126650	50	B	so	1	PCE	FBEAD SURFACE MT 300OHM FCM2012V-301T07
BD23	55126650	50	B	so	1	PCE	FBEAD SURFACE MT 300OHM FCM2012V-301T07
BD24	55126690	50	B	so	1	PCE	FBEAD SURFACE MT 2500OHM FCM2012H-252T02
BD25	55126690	50	B	so	1	PCE	FBEAD SURFACE MT 2500OHM FCM2012H-252T02
C100	20288040	91	B	so	1	PCE	CCCFMIC 100N0F +80% -20% 16.0V Y5V
C101	20506640	91	B	so	1	PCE	CCCFMIC 220P0F +5% -5% 50.0V NP0
C102	20678070	91	B	so	1	PCE	CCCFMIC 330P0F +5% -5% 50.0V NP0



C105	20678070	91	B	so	1	PCE	CCCFMIC 330P0F +5% -5% 50.0V NP0
C107	20288060	91	B	so	1	PCE	CCCFMIC 220N0F +80% -20% 16.0V Y5V
C110	20288040	91	B	so	1	PCE	CCCFMIC 100N0F +80% -20% 16.0V Y5V
C113	20506520	91	B	so	1	PCE	CCCFMIC 22P0F +5% -5% 50.0V NP0
C114	10138960	91	B	so	1	PCE	CCCFMIC 10N0F +10% -10% 50.0V X7R
C115	20506520	91	B	so	1	PCE	CCCFMIC 22P0F +5% -5% 50.0V NP0
C116	10138960	91	B	so	1	PCE	CCCFMIC 10N0F +10% -10% 50.0V X7R
C119	20288040	91	B	so	1	PCE	CCCFMIC 100N0F +80% -20% 16.0V Y5V
C120	20288040	91	B	so	1	PCE	CCCFMIC 100N0F +80% -20% 16.0V Y5V
C123	20288040	91	B	so	1	PCE	CCCFMIC 100N0F +80% -20% 16.0V Y5V
C124	20506520	91	B	so	1	PCE	CCCFMIC 22P0F +5% -5% 50.0V NP0
C125	10138960	91	B	so	1	PCE	CCCFMIC 10N0F +10% -10% 50.0V X7R
C135	20288040	91	B	so	1	PCE	CCCFMIC 100N0F +80% -20% 16.0V Y5V
C137	20288040	91	B	so	1	PCE	CCCFMIC 100N0F +80% -20% 16.0V Y5V
C138	20288040	91	B	so	1	PCE	CCCFMIC 100N0F +80% -20% 16.0V Y5V
C145	10138670	91	B	so	1	PCE	CCCFMIC 3N3F +10% -10% 50.0V X7R
C146	10138670	91	B	so	1	PCE	CCCFMIC 3N3F +10% -10% 50.0V X7R
C147	10138670	91	B	so	1	PCE	CCCFMIC 3N3F +10% -10% 50.0V X7R
C148	10138670	91	B	so	1	PCE	CCCFMIC 3N3F +10% -10% 50.0V X7R
C149	10138390	91	B	so	1	PCE	CCCFMIC 560P0F +10% -10% 50.0V X7R
C150	10138390	91	B	so	1	PCE	CCCFMIC 560P0F +10% -10% 50.0V X7R
C151	20678070	91	B	so	1	PCE	CCCFMIC 330P0F +5% -5% 50.0V NP0
C152	20678070	91	B	so	1	PCE	CCCFMIC 330P0F +5% -5% 50.0V NP0
C160	10138630	91	B	so	1	PCE	CCCFMIC 2N7F +10% -10% 50.0V X7R
C161	10138630	91	B	so	1	PCE	CCCFMIC 2N7F +10% -10% 50.0V X7R
C162	10138630	91	B	so	1	PCE	CCCFMIC 2N7F +10% -10% 50.0V X7R
C163	10138630	91	B	so	1	PCE	CCCFMIC 2N7F +10% -10% 50.0V X7R
C164	10138390	91	B	so	1	PCE	CCCFMIC 560P0F +10% -10% 50.0V X7R
C165	10138390	91	B	so	1	PCE	CCCFMIC 560P0F +10% -10% 50.0V X7R
C166	10138390	91	B	so	1	PCE	CCCFMIC 560P0F +10% -10% 50.0V X7R
C167	10138390	91	B	so	1	PCE	CCCFMIC 560P0F +10% -10% 50.0V X7R
C173	10138630	91	B	so	1	PCE	CCCFMIC 2N7F +10% -10% 50.0V X7R
C174	10138710	91	B	so	1	PCE	CCCFMIC 4N7F +10% -10% 50.0V X7R
C175	10138630	91	B	so	1	PCE	CCCFMIC 2N7F +10% -10% 50.0V X7R
C176	10138710	91	B	so	1	PCE	CCCFMIC 4N7F +10% -10% 50.0V X7R
C177	10138390	91	B	so	1	PCE	CCCFMIC 560P0F +10% -10% 50.0V X7R
C178	10138550	91	B	so	1	PCE	CCCFMIC 1N0F +10% -10% 50.0V X7R
C179	10138390	91	B	so	1	PCE	CCCFMIC 560P0F +10% -10% 50.0V X7R
C180	10138550	91	B	so	1	PCE	CCCFMIC 1N0F +10% -10% 50.0V X7R
C185	10138630	91	B	so	1	PCE	CCCFMIC 2N7F +10% -10% 50.0V X7R
C186	10138630	91	B	so	1	PCE	CCCFMIC 2N7F +10% -10% 50.0V X7R
C187	10138630	91	B	so	1	PCE	CCCFMIC 2N7F +10% -10% 50.0V X7R
C188	10138630	91	B	so	1	PCE	CCCFMIC 2N7F +10% -10% 50.0V X7R
C189	10138390	91	B	so	1	PCE	CCCFMIC 560P0F +10% -10% 50.0V X7R
C190	10138390	91	B	so	1	PCE	CCCFMIC 560P0F +10% -10% 50.0V X7R
C191	10138390	91	B	so	1	PCE	CCCFMIC 560P0F +10% -10% 50.0V X7R
C192	10138390	91	B	so	1	PCE	CCCFMIC 560P0F +10% -10% 50.0V X7R
C198	10138620	91	B	so	1	PCE	CCCFMIC 2N2F +10% -10% 50.0V X7R
C199	10138620	91	B	so	1	PCE	CCCFMIC 2N2F +10% -10% 50.0V X7R
C202	20506590	91	B	so	1	PCE	CCCFMIC 100P0F +5% -5% 50.0V NP0
C203	20506590	91	B	so	1	PCE	CCCFMIC 100P0F +5% -5% 50.0V NP0
C204	20506590	91	B	so	1	PCE	CCCFMIC 100P0F +5% -5% 50.0V NP0
C205	20506590	91	B	so	1	PCE	CCCFMIC 100P0F +5% -5% 50.0V NP0

C213	20506590	91	B	so	1	PCE	CCCFMIC 100P0F +5% -5% 50.0V NP0
C214	20506590	91	B	so	1	PCE	CCCFMIC 100P0F +5% -5% 50.0V NP0
C554	20506520	91	B	so	1	PCE	CCCFMIC 22P0F +5% -5% 50.0V NP0
C555	20506520	91	B	so	1	PCE	CCCFMIC 22P0F +5% -5% 50.0V NP0
C556	20288040	91	B	so	1	PCE	CCCFMIC 100N0F +80% -20% 16.0V Y5V
C557	20288040	91	B	so	1	PCE	CCCFMIC 100N0F +80% -20% 16.0V Y5V
C558	20506520	91	B	so	1	PCE	CCCFMIC 22P0F +5% -5% 50.0V NP0
C559	20288040	91	B	so	1	PCE	CCCFMIC 100N0F +80% -20% 16.0V Y5V
C560	20288040	91	B	so	1	PCE	CCCFMIC 100N0F +80% -20% 16.0V Y5V
C561	20288040	91	B	so	1	PCE	CCCFMIC 100N0F +80% -20% 16.0V Y5V
D201	20496510	NR	B	so	1	PCE	D-SLP 1SS355 35.0V 225MI0A
D202	20496510	NR	B	so	1	PCE	D-SLP 1SS355 35.0V 225MI0A
D301	20496510	NR	B	so	1	PCE	D-SLP 1SS355 35.0V 225MI0A
IC101	55125380	NR	B	so	1	PCE	IC-LOWFREQ CS493263-CL DSP
IC102	55172540	NR	B	so	0	PCE	IC-EPROM AT27LV020A-90JC
IC102	55179570	NR	B	so	1	PCE	IC-EPROM AT27LV020A-12JC
IC105	55125420	NR	B	so	1	PCE	IC-LOGIC 74VHC244MX INVERTER CMOS
IC106	55125420	NR	B	so	1	PCE	IC-LOGIC 74VHC244MX INVERTER CMOS
IC107	55179590	NR	B	so	1	PCE	IC-LOWFREQ CS8414-CS DSP
IC108	55179270	NR	B	so	1	PCE	IC-LOGIC QUAD 2-INPUT MP 74VHC157MX SOL16 FLIP/FLOP HCMOS
IC109	55133310	NR	B	so	1	PCE	IC-LOGIC M74HCU04M1R INVERTER HCT
IC110	55179260	NR	B	so	1	PCE	IC-LOGIC DUAL 4-INPUT MP 74VHC153MX SOL16 FLIP/FLOP HCMOS
IC111	55133310	NR	B	so	1	PCE	IC-LOGIC M74HCU04M1R INVERTER HCT
IC115	55204160	NR	B	so	1	PCE	IC-CONV CS5360-KS A/D
IC116	55179580	NR	B	so	1	PCE	IC-CONV CS4391-KS D/A
IC117	55179580	NR	B	so	1	PCE	IC-CONV CS4391-KS D/A
IC118	55179580	NR	B	so	1	PCE	IC-CONV CS4391-KS D/A
IC119	55179580	NR	B	so	1	PCE	IC-CONV CS4391-KS D/A
IC125	55204170	NR	B	so	1	PCE	IC-SWITCH NJU201AM ANALOG SWITCH
IC128	55285950	HE	B	ud	1	PCE	IC-MICROCONT CXP82532-198Q SUB AVR4500/5500
IC129	55182540	NR	B	so	1	PCE	IC-REGPOSFXD 2.7V MM1562H NORMAL
J999	10328750	91	B	so	1	PCE	RMGCFMIC 0 OHM +0% 62MI5W
Q101	55133330	92	B	so	1	PCE	TR-SSD DTC114TKA N 10K0 OHM
R102	10135940	91	B	so	1	PCE	RMGCFMIC 4K7 OHM +5% 62MI5W
R103	10135940	91	B	so	1	PCE	RMGCFMIC 4K7 OHM +5% 62MI5W
R104	10135940	91	B	so	1	PCE	RMGCFMIC 4K7 OHM +5% 62MI5W
R105	10135010	91	B	so	1	PCE	RMGCFMIC 10K0 OHM +5% 62MI5W
R106	10135940	91	B	so	1	PCE	RMGCFMIC 4K7 OHM +5% 62MI5W
R107	10135010	91	B	so	1	PCE	RMGCFMIC 10K0 OHM +5% 62MI5W
R108	10135010	91	B	so	1	PCE	RMGCFMIC 10K0 OHM +5% 62MI5W
R109	10135010	91	B	so	1	PCE	RMGCFMIC 10K0 OHM +5% 62MI5W
R110	10135010	91	B	so	1	PCE	RMGCFMIC 10K0 OHM +5% 62MI5W
R111	10135010	91	B	so	1	PCE	RMGCFMIC 10K0 OHM +5% 62MI5W
R112	10135010	91	B	so	1	PCE	RMGCFMIC 10K0 OHM +5% 62MI5W
R113	10135010	91	B	so	1	PCE	RMGCFMIC 10K0 OHM +5% 62MI5W
R114	10135010	91	B	so	1	PCE	RMGCFMIC 10K0 OHM +5% 62MI5W
R115	10135010	91	B	so	1	PCE	RMGCFMIC 10K0 OHM +5% 62MI5W
R116	10135010	91	B	so	1	PCE	RMGCFMIC 10K0 OHM +5% 62MI5W
R117	10135010	91	B	so	1	PCE	RMGCFMIC 10K0 OHM +5% 62MI5W

R118	10135010	91	B	so	1	PCE	RMGCFMIC	10K0	OHM	+5%	62MI5W
R119	10135940	91	B	so	1	PCE	RMGCFMIC	4K7	OHM	+5%	62MI5W
R120	10135010	91	B	so	1	PCE	RMGCFMIC	10K0	OHM	+5%	62MI5W
R121	10135010	91	B	so	1	PCE	RMGCFMIC	10K0	OHM	+5%	62MI5W
R122	10134710	91	B	so	1	PCE	RMGCFMIC	75R0	OHM	+5%	62MI5W
R123	10135220	91	B	so	1	PCE	RMGCFMIC	47K0	OHM	+5%	62MI5W
R124	10134930	91	B	so	1	PCE	RMGCFMIC	560R0	OHM	+5%	62MI5W
R125	10134710	91	B	so	1	PCE	RMGCFMIC	75R0	OHM	+5%	62MI5W
R126	10135220	91	B	so	1	PCE	RMGCFMIC	47K0	OHM	+5%	62MI5W
R127	10134930	91	B	so	1	PCE	RMGCFMIC	560R0	OHM	+5%	62MI5W
R128	10135220	91	B	so	1	PCE	RMGCFMIC	47K0	OHM	+5%	62MI5W
R129	10135860	91	B	so	1	PCE	RMGCFMIC	2K2	OHM	+5%	62MI5W
R130	10135860	91	B	so	1	PCE	RMGCFMIC	2K2	OHM	+5%	62MI5W
R131	10135220	91	B	so	1	PCE	RMGCFMIC	47K0	OHM	+5%	62MI5W
R132	10134410	91	B	so	1	PCE	RMGCFMIC	10R0	OHM	+5%	62MI5W
R133	10134740	91	B	so	1	PCE	RMGCFMIC	100R0	OHM	+5%	62MI5W
R134	10134920	91	B	so	1	PCE	RMGCFMIC	510R0	OHM	+5%	62MI5W
R135	10134910	91	B	so	1	PCE	RMGCFMIC	470R0	OHM	+5%	62MI5W
R136	10134410	91	B	so	1	PCE	RMGCFMIC	10R0	OHM	+5%	62MI5W
R137	10135770	91	B	so	1	PCE	RMGCFMIC	1K0	OHM	+5%	62MI5W
R138	10134410	91	B	so	1	PCE	RMGCFMIC	10R0	OHM	+5%	62MI5W
R139	10135770	91	B	so	1	PCE	RMGCFMIC	1K0	OHM	+5%	62MI5W
R140	10134740	91	B	so	1	PCE	RMGCFMIC	100R0	OHM	+5%	62MI5W
R142	10135860	91	B	so	1	PCE	RMGCFMIC	2K2	OHM	+5%	62MI5W
R143	10135220	91	B	so	1	PCE	RMGCFMIC	47K0	OHM	+5%	62MI5W
R144	10134910	91	B	so	1	PCE	RMGCFMIC	470R0	OHM	+5%	62MI5W
R145	10135220	91	B	so	1	PCE	RMGCFMIC	47K0	OHM	+5%	62MI5W
R146	10134710	91	B	so	1	PCE	RMGCFMIC	75R0	OHM	+5%	62MI5W
R147	10134650	91	B	so	1	PCE	RMGCFMIC	47R0	OHM	+5%	62MI5W
R148	10135860	91	B	so	1	PCE	RMGCFMIC	2K2	OHM	+5%	62MI5W
R149	10135220	91	B	so	1	PCE	RMGCFMIC	47K0	OHM	+5%	62MI5W
R150	10135860	91	B	so	1	PCE	RMGCFMIC	2K2	OHM	+5%	62MI5W
R151	10135220	91	B	so	1	PCE	RMGCFMIC	47K0	OHM	+5%	62MI5W
R152	10134410	91	B	so	1	PCE	RMGCFMIC	10R0	OHM	+5%	62MI5W
R153	10134910	91	B	so	1	PCE	RMGCFMIC	470R0	OHM	+5%	62MI5W
R154	10134920	91	B	so	1	PCE	RMGCFMIC	510R0	OHM	+5%	62MI5W
R155	10134740	91	B	so	1	PCE	RMGCFMIC	100R0	OHM	+5%	62MI5W
R156	10135770	91	B	so	1	PCE	RMGCFMIC	1K0	OHM	+5%	62MI5W
R157	10135770	91	B	so	1	PCE	RMGCFMIC	1K0	OHM	+5%	62MI5W
R158	10135770	91	B	so	1	PCE	RMGCFMIC	1K0	OHM	+5%	62MI5W
R165	10134830	91	B	so	1	PCE	RMGCFMIC	220R0	OHM	+5%	62MI5W
R166	10134830	91	B	so	1	PCE	RMGCFMIC	220R0	OHM	+5%	62MI5W
R167	10135010	91	B	so	1	PCE	RMGCFMIC	10K0	OHM	+5%	62MI5W
R168	10135010	91	B	so	1	PCE	RMGCFMIC	10K0	OHM	+5%	62MI5W
R169	10134830	91	B	so	1	PCE	RMGCFMIC	220R0	OHM	+5%	62MI5W
R170	10135010	91	B	so	1	PCE	RMGCFMIC	10K0	OHM	+5%	62MI5W
R171	10135010	91	B	so	1	PCE	RMGCFMIC	10K0	OHM	+5%	62MI5W
R172	50886540	91	B	so	1	PCE	RMGCFMIN	330R0	OHM	+5%	100MI0W
R173	10134830	91	B	so	1	PCE	RMGCFMIC	220R0	OHM	+5%	62MI5W
R174	10134830	91	B	so	1	PCE	RMGCFMIC	220R0	OHM	+5%	62MI5W
R175	10135950	91	B	so	1	PCE	RMGCFMIC	5K1	OHM	+5%	62MI5W
R176	10135950	91	B	so	1	PCE	RMGCFMIC	5K1	OHM	+5%	62MI5W
R177	10135950	91	B	so	1	PCE	RMGCFMIC	5K1	OHM	+5%	62MI5W

R178	10135950	91	B	so	1	PCE	RMGCFMIC	5K1	OHM	+5%	62MI5W
R179	10135960	91	B	so	1	PCE	RMGCFMIC	5K6	OHM	+5%	62MI5W
R180	10135960	91	B	so	1	PCE	RMGCFMIC	5K6	OHM	+5%	62MI5W
R181	10135960	91	B	so	1	PCE	RMGCFMIC	5K6	OHM	+5%	62MI5W
R182	10135790	91	B	so	1	PCE	RMGCFMIC	1K2	OHM	+5%	62MI5W
R183	10135790	91	B	so	1	PCE	RMGCFMIC	1K2	OHM	+5%	62MI5W
R184	10135790	91	B	so	1	PCE	RMGCFMIC	1K2	OHM	+5%	62MI5W
R185	10135790	91	B	so	1	PCE	RMGCFMIC	1K2	OHM	+5%	62MI5W
R186	10135960	91	B	so	1	PCE	RMGCFMIC	5K6	OHM	+5%	62MI5W
R187	10134930	91	B	so	1	PCE	RMGCFMIC	560R0	OHM	+5%	62MI5W
R188	10134930	91	B	so	1	PCE	RMGCFMIC	560R0	OHM	+5%	62MI5W
R189	10135400	91	B	so	1	PCE	RMGCFMIC	180K0	OHM	+5%	62MI5W
R190	10135400	91	B	so	1	PCE	RMGCFMIC	180K0	OHM	+5%	62MI5W
R191	10135960	91	B	so	1	PCE	RMGCFMIC	5K6	OHM	+5%	62MI5W
R192	10135960	91	B	so	1	PCE	RMGCFMIC	5K6	OHM	+5%	62MI5W
R193	10135960	91	B	so	1	PCE	RMGCFMIC	5K6	OHM	+5%	62MI5W
R194	10135960	91	B	so	1	PCE	RMGCFMIC	5K6	OHM	+5%	62MI5W
R195	10135960	91	B	so	1	PCE	RMGCFMIC	5K6	OHM	+5%	62MI5W
R196	10135960	91	B	so	1	PCE	RMGCFMIC	5K6	OHM	+5%	62MI5W
R197	10135790	91	B	so	1	PCE	RMGCFMIC	1K2	OHM	+5%	62MI5W
R198	10135790	91	B	so	1	PCE	RMGCFMIC	1K2	OHM	+5%	62MI5W
R199	10135960	91	B	so	1	PCE	RMGCFMIC	5K6	OHM	+5%	62MI5W
R200	10135790	91	B	so	1	PCE	RMGCFMIC	1K2	OHM	+5%	62MI5W
R201	10135790	91	B	so	1	PCE	RMGCFMIC	1K2	OHM	+5%	62MI5W
R202	10135960	91	B	so	1	PCE	RMGCFMIC	5K6	OHM	+5%	62MI5W
R203	10134930	91	B	so	1	PCE	RMGCFMIC	560R0	OHM	+5%	62MI5W
R204	10134930	91	B	so	1	PCE	RMGCFMIC	560R0	OHM	+5%	62MI5W
R205	10135340	91	B	so	1	PCE	RMGCFMIC	100K0	OHM	+5%	62MI5W
R206	10135340	91	B	so	1	PCE	RMGCFMIC	100K0	OHM	+5%	62MI5W
R207	10135400	91	B	so	1	PCE	RMGCFMIC	180K0	OHM	+5%	62MI5W
R208	10135400	91	B	so	1	PCE	RMGCFMIC	180K0	OHM	+5%	62MI5W
R209	10135960	91	B	so	1	PCE	RMGCFMIC	5K6	OHM	+5%	62MI5W
R210	10135960	91	B	so	1	PCE	RMGCFMIC	5K6	OHM	+5%	62MI5W
R211	10135950	91	B	so	1	PCE	RMGCFMIC	5K1	OHM	+5%	62MI5W
R212	10135950	91	B	so	1	PCE	RMGCFMIC	5K1	OHM	+5%	62MI5W
R213	10135960	91	B	so	1	PCE	RMGCFMIC	5K6	OHM	+5%	62MI5W
R214	10135960	91	B	so	1	PCE	RMGCFMIC	5K6	OHM	+5%	62MI5W
R215	10135790	91	B	so	1	PCE	RMGCFMIC	1K2	OHM	+5%	62MI5W
R216	10135790	91	B	so	1	PCE	RMGCFMIC	1K2	OHM	+5%	62MI5W
R217	10135790	91	B	so	1	PCE	RMGCFMIC	1K2	OHM	+5%	62MI5W
R218	10135790	91	B	so	1	PCE	RMGCFMIC	1K2	OHM	+5%	62MI5W
R219	10135960	91	B	so	1	PCE	RMGCFMIC	5K6	OHM	+5%	62MI5W
R220	10135960	91	B	so	1	PCE	RMGCFMIC	5K6	OHM	+5%	62MI5W
R221	10134930	91	B	so	1	PCE	RMGCFMIC	560R0	OHM	+5%	62MI5W
R222	10134930	91	B	so	1	PCE	RMGCFMIC	560R0	OHM	+5%	62MI5W
R223	10135340	91	B	so	1	PCE	RMGCFMIC	100K0	OHM	+5%	62MI5W
R224	10135340	91	B	so	1	PCE	RMGCFMIC	100K0	OHM	+5%	62MI5W
R225	10135820	91	B	so	1	PCE	RMGCFMIC	1K5	OHM	+5%	62MI5W
R226	10135770	91	B	so	1	PCE	RMGCFMIC	1K0	OHM	+5%	62MI5W
R227	10135960	91	B	so	1	PCE	RMGCFMIC	5K6	OHM	+5%	62MI5W
R228	10135960	91	B	so	1	PCE	RMGCFMIC	5K6	OHM	+5%	62MI5W
R229	10135960	91	B	so	1	PCE	RMGCFMIC	5K6	OHM	+5%	62MI5W
R230	10135960	91	B	so	1	PCE	RMGCFMIC	5K6	OHM	+5%	62MI5W

R231	10135960	91	B	so	1	PCE	RMGCFMIC	5K6	OHM	+5%	62MI5W
R232	10135960	91	B	so	1	PCE	RMGCFMIC	5K6	OHM	+5%	62MI5W
R233	10135790	91	B	so	1	PCE	RMGCFMIC	1K2	OHM	+5%	62MI5W
R234	10135790	91	B	so	1	PCE	RMGCFMIC	1K2	OHM	+5%	62MI5W
R235	10135790	91	B	so	1	PCE	RMGCFMIC	1K2	OHM	+5%	62MI5W
R236	10135790	91	B	so	1	PCE	RMGCFMIC	1K2	OHM	+5%	62MI5W
R237	10135960	91	B	so	1	PCE	RMGCFMIC	5K6	OHM	+5%	62MI5W
R238	10135960	91	B	so	1	PCE	RMGCFMIC	5K6	OHM	+5%	62MI5W
R239	10134930	91	B	so	1	PCE	RMGCFMIC	560R0	OHM	+5%	62MI5W
R240	10134930	91	B	so	1	PCE	RMGCFMIC	560R0	OHM	+5%	62MI5W
R241	10135340	91	B	so	1	PCE	RMGCFMIC	100K0	OHM	+5%	62MI5W
R242	10135340	91	B	so	1	PCE	RMGCFMIC	100K0	OHM	+5%	62MI5W
R243	10135010	91	B	so	1	PCE	RMGCFMIC	10K0	OHM	+5%	62MI5W
R244	10134410	91	B	so	1	PCE	RMGCFMIC	10R0	OHM	+5%	62MI5W
R246	10135220	91	B	so	1	PCE	RMGCFMIC	47K0	OHM	+5%	62MI5W
R247	10135010	91	B	so	1	PCE	RMGCFMIC	10K0	OHM	+5%	62MI5W
R248	10135010	91	B	so	1	PCE	RMGCFMIC	10K0	OHM	+5%	62MI5W
R249	10135010	91	B	so	1	PCE	RMGCFMIC	10K0	OHM	+5%	62MI5W
R250	10134780	91	B	so	1	PCE	RMGCFMIC	150R0	OHM	+5%	62MI5W
R251	10134780	91	B	so	1	PCE	RMGCFMIC	150R0	OHM	+5%	62MI5W
R252	10134780	91	B	so	1	PCE	RMGCFMIC	150R0	OHM	+5%	62MI5W
R253	10134780	91	B	so	1	PCE	RMGCFMIC	150R0	OHM	+5%	62MI5W
R254	10135010	91	B	so	1	PCE	RMGCFMIC	10K0	OHM	+5%	62MI5W
R255	10135010	91	B	so	1	PCE	RMGCFMIC	10K0	OHM	+5%	62MI5W
R256	10135010	91	B	so	1	PCE	RMGCFMIC	10K0	OHM	+5%	62MI5W
R257	10135010	91	B	so	1	PCE	RMGCFMIC	10K0	OHM	+5%	62MI5W
R258	10135010	91	B	so	1	PCE	RMGCFMIC	10K0	OHM	+5%	62MI5W
R259	10135010	91	B	so	1	PCE	RMGCFMIC	10K0	OHM	+5%	62MI5W
R260	10135090	91	B	so	1	PCE	RMGCFMIC	20K0	OHM	+5%	62MI5W
R261	10135090	91	B	so	1	PCE	RMGCFMIC	20K0	OHM	+5%	62MI5W
R262	10135220	91	B	so	1	PCE	RMGCFMIC	47K0	OHM	+5%	62MI5W
R263	10135220	91	B	so	1	PCE	RMGCFMIC	47K0	OHM	+5%	62MI5W
R264	10135770	91	B	so	1	PCE	RMGCFMIC	1K0	OHM	+5%	62MI5W
R265	10135940	91	B	so	1	PCE	RMGCFMIC	4K7	OHM	+5%	62MI5W
R268	10134740	91	B	so	1	PCE	RMGCFMIC	100R0	OHM	+5%	62MI5W
R269	10134740	91	B	so	1	PCE	RMGCFMIC	100R0	OHM	+5%	62MI5W
R270	10135340	91	B	so	1	PCE	RMGCFMIC	100K0	OHM	+5%	62MI5W
R271	10135340	91	B	so	1	PCE	RMGCFMIC	100K0	OHM	+5%	62MI5W
R272	10135770	91	B	so	1	PCE	RMGCFMIC	1K0	OHM	+5%	62MI5W
R273	10135770	91	B	so	1	PCE	RMGCFMIC	1K0	OHM	+5%	62MI5W
R274	10135790	91	B	so	1	PCE	RMGCFMIC	1K2	OHM	+5%	62MI5W
R275	10135790	91	B	so	1	PCE	RMGCFMIC	1K2	OHM	+5%	62MI5W
R276	10134930	91	B	so	1	PCE	RMGCFMIC	560R0	OHM	+5%	62MI5W
R277	10134930	91	B	so	1	PCE	RMGCFMIC	560R0	OHM	+5%	62MI5W
R301	10134410	91	B	so	1	PCE	RMGCFMIC	10R0	OHM	+5%	62MI5W
R302	10134410	91	B	so	1	PCE	RMGCFMIC	10R0	OHM	+5%	62MI5W
R303	10134410	91	B	so	1	PCE	RMGCFMIC	10R0	OHM	+5%	62MI5W
R304	10134410	91	B	so	1	PCE	RMGCFMIC	10R0	OHM	+5%	62MI5W
R305	10134410	91	B	so	1	PCE	RMGCFMIC	10R0	OHM	+5%	62MI5W
R306	10134410	91	B	so	1	PCE	RMGCFMIC	10R0	OHM	+5%	62MI5W
R307	10134410	91	B	so	1	PCE	RMGCFMIC	10R0	OHM	+5%	62MI5W
R309	10134410	91	B	so	1	PCE	RMGCFMIC	10R0	OHM	+5%	62MI5W
R310	10134410	91	B	so	1	PCE	RMGCFMIC	10R0	OHM	+5%	62MI5W

R312	10134910	91	B	so	1	PCE	RMGCFMIC 470R0 OHM +5% 62MI5W
R313	10135940	91	B	so	1	PCE	RMGCFMIC 4K7 OHM +5% 62MI5W
R314	10135770	91	B	so	1	PCE	RMGCFMIC 1K0 OHM +5% 62MI5W
R315	10134410	91	B	so	1	PCE	RMGCFMIC 10R0 OHM +5% 62MI5W
R316	10134410	91	B	so	1	PCE	RMGCFMIC 10R0 OHM +5% 62MI5W
R317	10134410	91	B	so	1	PCE	RMGCFMIC 10R0 OHM +5% 62MI5W
R318	10134410	91	B	so	1	PCE	RMGCFMIC 10R0 OHM +5% 62MI5W
R319	10134410	91	B	so	1	PCE	RMGCFMIC 10R0 OHM +5% 62MI5W
R320	10134410	91	B	so	1	PCE	RMGCFMIC 10R0 OHM +5% 62MI5W
R321	10135770	91	B	so	1	PCE	RMGCFMIC 1K0 OHM +5% 62MI5W

**PART NO** : 55262150

**TITEL** : AC ESABD SMD BOT DSP BD AVR5500

Pos	Tocom#	Pkg	M/B	St	Qty	Unit	SName
BD11	55126690	50	B	so	1	PCE	FBEAD SURFACE MT 2500OHM FCM2012H-252T02
BD12	55126690	50	B	so	1	PCE	FBEAD SURFACE MT 2500OHM FCM2012H-252T02
BD14	55126690	50	B	so	1	PCE	FBEAD SURFACE MT 2500OHM FCM2012H-252T02
BD15	55126690	50	B	so	1	PCE	FBEAD SURFACE MT 2500OHM FCM2012H-252T02
BD16	55126690	50	B	so	1	PCE	FBEAD SURFACE MT 2500OHM FCM2012H-252T02
BD17	55126690	50	B	so	1	PCE	FBEAD SURFACE MT 2500OHM FCM2012H-252T02
BD20	55126650	50	B	so	1	PCE	FBEAD SURFACE MT 300OHM FCM2012V-301T07
BD21	55126650	50	B	so	1	PCE	FBEAD SURFACE MT 300OHM FCM2012V-301T07
C103	20288040	91	B	so	1	PCE	CCCFMIC 100N0F +80% -20% 16.0V Y5V
C104	20288040	91	B	so	1	PCE	CCCFMIC 100N0F +80% -20% 16.0V Y5V
C111	20288040	91	B	so	1	PCE	CCCFMIC 100N0F +80% -20% 16.0V Y5V
C112	20288040	91	B	so	1	PCE	CCCFMIC 100N0F +80% -20% 16.0V Y5V
C117	20288040	91	B	so	1	PCE	CCCFMIC 100N0F +80% -20% 16.0V Y5V
C118	20288040	91	B	so	1	PCE	CCCFMIC 100N0F +80% -20% 16.0V Y5V
C121	20288040	91	B	so	1	PCE	CCCFMIC 100N0F +80% -20% 16.0V Y5V
C122	20288040	91	B	so	1	PCE	CCCFMIC 100N0F +80% -20% 16.0V Y5V
C126	20288040	91	B	so	1	PCE	CCCFMIC 100N0F +80% -20% 16.0V Y5V
C127	20288040	91	B	so	1	PCE	CCCFMIC 100N0F +80% -20% 16.0V Y5V
C128	20288040	91	B	so	1	PCE	CCCFMIC 100N0F +80% -20% 16.0V Y5V
C129	20288040	91	B	so	1	PCE	CCCFMIC 100N0F +80% -20% 16.0V Y5V
C130	20288040	91	B	so	1	PCE	CCCFMIC 100N0F +80% -20% 16.0V Y5V
C131	20288040	91	B	so	1	PCE	CCCFMIC 100N0F +80% -20% 16.0V Y5V
C134	20288040	91	B	so	1	PCE	CCCFMIC 100N0F +80% -20% 16.0V Y5V
C136	20288040	91	B	so	1	PCE	CCCFMIC 100N0F +80% -20% 16.0V Y5V
C139	20288040	91	B	so	1	PCE	CCCFMIC 100N0F +80% -20% 16.0V Y5V
C140	20288040	91	B	so	1	PCE	CCCFMIC 100N0F +80% -20% 16.0V Y5V
C141	20288040	91	B	so	1	PCE	CCCFMIC 100N0F +80% -20% 16.0V Y5V
C142	20288040	91	B	so	1	PCE	CCCFMIC 100N0F +80% -20% 16.0V Y5V
C143	20288040	91	B	so	1	PCE	CCCFMIC 100N0F +80% -20% 16.0V Y5V
C144	20288040	91	B	so	1	PCE	CCCFMIC 100N0F +80% -20% 16.0V Y5V
C153	20288040	91	B	so	1	PCE	CCCFMIC 100N0F +80% -20% 16.0V Y5V
C154	20288040	91	B	so	1	PCE	CCCFMIC 100N0F +80% -20% 16.0V Y5V
C155	10138670	91	B	so	1	PCE	CCCFMIC 3N3F +10% -10% 50.0V X7R
C156	10138670	91	B	so	1	PCE	CCCFMIC 3N3F +10% -10% 50.0V X7R
C157	20288040	91	B	so	1	PCE	CCCFMIC 100N0F +80% -20% 16.0V Y5V
C158	20288040	91	B	so	1	PCE	CCCFMIC 100N0F +80% -20% 16.0V Y5V
C159	20288040	91	B	so	1	PCE	CCCFMIC 100N0F +80% -20% 16.0V Y5V

C168	20288040	91	B	so	1	PCE	CCCFMIC 100NOF +80% -20% 16.0V Y5V
C169	20288040	91	B	so	1	PCE	CCCFMIC 100NOF +80% -20% 16.0V Y5V
C170	20288040	91	B	so	1	PCE	CCCFMIC 100NOF +80% -20% 16.0V Y5V
C171	20288040	91	B	so	1	PCE	CCCFMIC 100NOF +80% -20% 16.0V Y5V
C172	20288040	91	B	so	1	PCE	CCCFMIC 100NOF +80% -20% 16.0V Y5V
C181	20288040	91	B	so	1	PCE	CCCFMIC 100NOF +80% -20% 16.0V Y5V
C182	20288040	91	B	so	1	PCE	CCCFMIC 100NOF +80% -20% 16.0V Y5V
C183	20288040	91	B	so	1	PCE	CCCFMIC 100NOF +80% -20% 16.0V Y5V
C184	20288040	91	B	so	1	PCE	CCCFMIC 100NOF +80% -20% 16.0V Y5V
C193	20288040	91	B	so	1	PCE	CCCFMIC 100NOF +80% -20% 16.0V Y5V
C194	20288040	91	B	so	1	PCE	CCCFMIC 100NOF +80% -20% 16.0V Y5V
C195	20288040	91	B	so	1	PCE	CCCFMIC 100NOF +80% -20% 16.0V Y5V
C196	20288040	91	B	so	1	PCE	CCCFMIC 100NOF +80% -20% 16.0V Y5V
C197	20288040	91	B	so	1	PCE	CCCFMIC 100NOF +80% -20% 16.0V Y5V
C200	20288040	91	B	so	1	PCE	CCCFMIC 100NOF +80% -20% 16.0V Y5V
C201	20288040	91	B	so	1	PCE	CCCFMIC 100NOF +80% -20% 16.0V Y5V
C206	20288040	91	B	so	1	PCE	CCCFMIC 100NOF +80% -20% 16.0V Y5V
C207	20288040	91	B	so	1	PCE	CCCFMIC 100NOF +80% -20% 16.0V Y5V
C208	20288040	91	B	so	1	PCE	CCCFMIC 100NOF +80% -20% 16.0V Y5V
C210	20288040	91	B	so	1	PCE	CCCFMIC 100NOF +80% -20% 16.0V Y5V
C211	20288040	91	B	so	1	PCE	CCCFMIC 100NOF +80% -20% 16.0V Y5V
C212	20288040	91	B	so	1	PCE	CCCFMIC 100NOF +80% -20% 16.0V Y5V
C215	20288040	91	B	so	1	PCE	CCCFMIC 100NOF +80% -20% 16.0V Y5V
C216	20288040	91	B	so	1	PCE	CCCFMIC 100NOF +80% -20% 16.0V Y5V
C3	20288040	91	B	so	1	PCE	CCCFMIC 100NOF +80% -20% 16.0V Y5V
C302	20506680	91	B	so	1	PCE	CCCFMIC 470P0F +5% -5% 50.0V NP0
C562	10375090	91	B	so	1	PCE	CCCFMIC 20P0F +5% -5% 50.0V NP0
C563	10375090	91	B	so	1	PCE	CCCFMIC 20P0F +5% -5% 50.0V NP0
C564	20506520	91	B	so	1	PCE	CCCFMIC 22P0F +5% -5% 50.0V NP0
C565	20506520	91	B	so	1	PCE	CCCFMIC 22P0F +5% -5% 50.0V NP0
C566	20506520	91	B	so	1	PCE	CCCFMIC 22P0F +5% -5% 50.0V NP0
D203	20496510	NR	B	so	1	PCE	D-SLP 1SS355 35.0V 225MI0A
D204	20496510	NR	B	so	1	PCE	D-SLP 1SS355 35.0V 225MI0A
IC103	55170220	NR	B	so	1	PCE	IC-LOGIC F/F 74VHC574MX FLIP/FLOP HCMOS
IC104	55170220	NR	B	so	1	PCE	IC-LOGIC F/F 74VHC574MX FLIP/FLOP HCMOS
IC112	55142610	NR	B	so	1	PCE	IC-OPERAMP NJM2068M DUAL OP
IC113	20718660	65	B	so	1	PCE	IC-LOGIC BU4094BF SHIFT REGISTER CMOS
IC114	55087180	65	B	so	1	PCE	IC-LOGIC BU4051BCF MULTIPLEXER HCT
IC120	55142610	NR	B	so	1	PCE	IC-OPERAMP NJM2068M DUAL OP
IC121	55142610	NR	B	so	1	PCE	IC-OPERAMP NJM2068M DUAL OP
IC122	55142610	NR	B	so	1	PCE	IC-OPERAMP NJM2068M DUAL OP
IC123	55142610	NR	B	so	1	PCE	IC-OPERAMP NJM2068M DUAL OP
IC124	55142610	NR	B	so	1	PCE	IC-OPERAMP NJM2068M DUAL OP
IC126	55142610	NR	B	so	1	PCE	IC-OPERAMP NJM2068M DUAL OP
IC127	55180060	NR	B	so	1	PCE	IC-SPECFUNC NJU6324M SOP8 CMOS-CRYSTAL
Q102	55133330	92	B	so	1	PCE	TR-SSD DTC114TKA N 10K0 OHM
Q103	55133330	92	B	so	1	PCE	TR-SSD DTC114TKA N 10K0 OHM
R160	10134740	91	B	so	1	PCE	RMGCFMIC 100R0 OHM +5% 62MI5W
R161	10134740	91	B	so	1	PCE	RMGCFMIC 100R0 OHM +5% 62MI5W
R245	10134410	91	B	so	1	PCE	RMGCFMIC 10R0 OHM +5% 62MI5W
R266	10135010	91	B	so	1	PCE	RMGCFMIC 10K0 OHM +5% 62MI5W
R267	10135010	91	B	so	1	PCE	RMGCFMIC 10K0 OHM +5% 62MI5W
R322	10134740	91	B	so	1	PCE	RMGCFMIC 100R0 OHM +5% 62MI5W

R323	10134740	91	B	so	1	PCE	RMGCFMIC 100R0 OHM +5% 62MI5W
------	----------	----	---	----	---	-----	-------------------------------



PART NO : 55261820

TITEL : AC EMBD IMA FRONT BD AVR5500

Pos	Tocom#	Pkg	M/B	St	Qty	Unit	SName
020	55261970		M	SO	1	PCE	AC ESABD IAU FRONT BD AVR5500
030	55188960		X	ud	1	PCE	AC SCHEMATIC FRONT BD AVR520 OEM
040	20290150		B	so	0.015	KG	SOLDER BAR 52SN/45PB/3SB BAR
041	15481260		B	so	0.015	L	SLDC FLUX LRES FOAM SM32DHT-2
050	70436540	16	B	so	1	PCE	D-SLP 1N4148 100.0V 150E-3A
C203	20267830	30	B	so	1	PCE	CE 47U0F +20% 16.0V 85C
C210	20268880	30	B	so	1	PCE	CE 10U0F +20% 50.0V 85C
C216	55134360	00	B	so	1	PCE	CM 47MI0F +80% -20% 5.5V 70C
CN201	55175770	NR	B	po	1	PCE	WIRECONASY UNIQUE 7P 450MM UL2791 SHIELD 24 1
CN202	55175780	NR	B	po	1	PCE	WIRECONASY UNIQUE 3P 620MM UL2791 SHIELD 24 1
CN203	55175810	NR	B	so	1	PCE	WIRECONASY UNIQUE 9P 400MM UL1007 PVC DISCRETE
CN204	55175790	NR	B	so	1	PCE	WIRECONASY UNIQUE 4P 100MM UL1007 PVC DISCRETE
CN205	55175840	NR	B	so	1	PCE	WIRECONASY UNIQUE 4P 360MM UL1533 SHIELD 28 1
CN206	55175830	NR	B	so	1	PCE	WIRECONASY UNIQUE 10P 220MM UL1533 SHIELD 28 1
CN208	55179520	NR	B	so	1	PCE	FFC-JUMPER 27X 1.25MM 500MM
CN209	55175850	NR	B	so	1	PCE	WIRECONASY UNIQUE 8P 500MM UL1533 SHIELD 28 1
CN210	55175880	NR	B	so	1	PCE	WIRECONASY UNIQUE 2P 100MM UL1007 PVC DISCRETE
CN211	55182560	NR	B	so	1	PCE	WIRECONASY UNIQUE 5P 300MM UL1007 PVC DISCRETE
CP201	55179450		B	ud	1	PCE	CONN 1.25MM 27 FE R WH GF120-27S-LS 2794 A6
CP203	55123340		B	so	1	PCE	CONN 2.0MM 8 MA ST NAT LW2002P08 0 0
CP204	55123320		B	so	1	PCE	CONN 2.0MM 5 MA ST NAT LW2002P05 0 0
D201	55179290	NR	B	so	0	PCE	D-LEM LTL-1CHGEC P-GN RND CL
D201	55199400	NR	B	so	1	PCE	D-LEM CT-3SGTA GN RND 3.0 CL 20.0CD
D202	55179290	NR	B	so	0	PCE	D-LEM LTL-1CHGEC P-GN RND CL
D202	55199400	NR	B	so	1	PCE	D-LEM CT-3SGTA GN RND 3.0 CL 20.0CD
D203	55179290	NR	B	so	0	PCE	D-LEM LTL-1CHGEC P-GN RND CL
D203	55199400	NR	B	so	1	PCE	D-LEM CT-3SGTA GN RND 3.0 CL 20.0CD
D204	55179290	NR	B	so	0	PCE	D-LEM LTL-1CHGEC P-GN RND CL
D204	55199400	NR	B	so	1	PCE	D-LEM CT-3SGTA GN RND 3.0 CL 20.0CD
D205	55179290	NR	B	so	0	PCE	D-LEM LTL-1CHGEC P-GN RND CL
D205	55199400	NR	B	so	1	PCE	D-LEM CT-3SGTA GN RND 3.0 CL 20.0CD
D206	55179290	NR	B	so	0	PCE	D-LEM LTL-1CHGEC P-GN RND CL
D206	55199400	NR	B	so	1	PCE	D-LEM CT-3SGTA GN RND 3.0 CL 20.0CD
D207	55179290	NR	B	so	0	PCE	D-LEM LTL-1CHGEC P-GN RND CL
D207	55199400	NR	B	so	1	PCE	D-LEM CT-3SGTA GN RND 3.0 CL 20.0CD
D208	55179290	NR	B	so	0	PCE	D-LEM LTL-1CHGEC P-GN RND CL
D208	55199400	NR	B	so	1	PCE	D-LEM CT-3SGTA GN RND 3.0 CL 20.0CD
D209	55179290	NR	B	so	0	PCE	D-LEM LTL-1CHGEC P-GN RND CL
D209	55199400	NR	B	so	1	PCE	D-LEM CT-3SGTA GN RND 3.0 CL 20.0CD
D210	55179290	NR	B	so	0	PCE	D-LEM LTL-1CHGEC P-GN RND CL
D210	55199400	NR	B	so	1	PCE	D-LEM CT-3SGTA GN RND 3.0 CL 20.0CD
D211	55179290	NR	B	so	0	PCE	D-LEM LTL-1CHGEC P-GN RND CL
D211	55199400	NR	B	so	1	PCE	D-LEM CT-3SGTA GN RND 3.0 CL 20.0CD
D212	55179290	NR	B	so	0	PCE	D-LEM LTL-1CHGEC P-GN RND CL
D212	55199400	NR	B	so	1	PCE	D-LEM CT-3SGTA GN RND 3.0 CL 20.0CD
D213	55179290	NR	B	so	0	PCE	D-LEM LTL-1CHGEC P-GN RND CL
D213	55199400	NR	B	so	1	PCE	D-LEM CT-3SGTA GN RND 3.0 CL 20.0CD
D214	55179290	NR	B	so	0	PCE	D-LEM LTL-1CHGEC P-GN RND CL
D214	55199400	NR	B	so	1	PCE	D-LEM CT-3SGTA GN RND 3.0 CL 20.0CD



D241	55199400	NR	B	so	1	PCE	D-LEM CT-3SGTA GN RND 3.0 CL 20.0CD
D242	55179290	NR	B	so	0	PCE	D-LEM LTL-1CHGEC P-GN RND CL
D242	55199400	NR	B	so	1	PCE	D-LEM CT-3SGTA GN RND 3.0 CL 20.0CD
D243	55179290	NR	B	so	0	PCE	D-LEM LTL-1CHGEC P-GN RND CL
D243	55199400	NR	B	so	1	PCE	D-LEM CT-3SGTA GN RND 3.0 CL 20.0CD
D244	55179290	NR	B	so	0	PCE	D-LEM LTL-1CHGEC P-GN RND CL
D244	55199400	NR	B	so	1	PCE	D-LEM CT-3SGTA GN RND 3.0 CL 20.0CD
D245	55179290	NR	B	so	0	PCE	D-LEM LTL-1CHGEC P-GN RND CL
D245	55199400	NR	B	so	1	PCE	D-LEM CT-3SGTA GN RND 3.0 CL 20.0CD
D246	55179290	NR	B	so	0	PCE	D-LEM LTL-1CHGEC P-GN RND CL
D246	55199400	NR	B	so	1	PCE	D-LEM CT-3SGTA GN RND 3.0 CL 20.0CD
D247	55179290	NR	B	so	0	PCE	D-LEM LTL-1CHGEC P-GN RND CL
D247	55199400	NR	B	so	1	PCE	D-LEM CT-3SGTA GN RND 3.0 CL 20.0CD
D256	55179310	NR	B	so	1	PCE	D-LEM RED/GREEN 3PIE RD RND CL
D257	55179310	NR	B	so	1	PCE	D-LEM RED/GREEN 3PIE RD RND CL
D258	55179290	NR	B	so	0	PCE	D-LEM LTL-1CHGEC P-GN RND CL
D258	55199400	NR	B	so	1	PCE	D-LEM CT-3SGTA GN RND 3.0 CL 20.0CD
D259	55179290	NR	B	so	0	PCE	D-LEM LTL-1CHGEC P-GN RND CL
D259	55199400	NR	B	so	1	PCE	D-LEM CT-3SGTA GN RND 3.0 CL 20.0CD
D260	55179290	NR	B	so	0	PCE	D-LEM LTL-1CHGEC P-GN RND CL
D260	55199400	NR	B	so	1	PCE	D-LEM CT-3SGTA GN RND 3.0 CL 20.0CD
D265	55179290	NR	B	so	0	PCE	D-LEM LTL-1CHGEC P-GN RND CL
D265	55199400	NR	B	so	1	PCE	D-LEM CT-3SGTA GN RND 3.0 CL 20.0CD
D266	55179290	NR	B	so	0	PCE	D-LEM LTL-1CHGEC P-GN RND CL
D266	55199400	NR	B	so	1	PCE	D-LEM CT-3SGTA GN RND 3.0 CL 20.0CD
D267	55179290	NR	B	so	0	PCE	D-LEM LTL-1CHGEC P-GN RND CL
D267	55199400	NR	B	so	1	PCE	D-LEM CT-3SGTA GN RND 3.0 CL 20.0CD
D268	55179290	NR	B	so	0	PCE	D-LEM LTL-1CHGEC P-GN RND CL
D268	55199400	NR	B	so	1	PCE	D-LEM CT-3SGTA GN RND 3.0 CL 20.0CD
FL201	55182450	NR	B	so	1	PCE	DISPLAY VFD HNA-16LL18
FN201	55177570		B	ud	1	PCE	AC PUN SHIELD FENCE TONE
IC201	55285930	HE	B	ud	1	PCE	IC-MICROCONT CXP82860-354Q MAIN AVR4500/5500
IC205	55142240	NR	B	so	1	PCE	IC-OPERAMP NJM2068DD DUAL OP
JA201	55113740		B	so	1	PCE	CON PHONO SCKT RCA-307 3 PINS
JA202	55113960		B	so	1	PCE	CON DIN SCKT SOCKET CONNECTOR SVHS EST-S408J
L201	55179380	16	B	ud	1	PCE	LF 4U7H +10% 1.7 OHM 190.0A
L202	55179380	16	B	ud	1	PCE	LF 4U7H +10% 1.7 OHM 190.0A
RM201	55155930	NR	B	so	1	PCE	IC-REMOTE RPM6938-RSIP-A3 RECEIVER 38KHZ
VR201	55134900	NR	B	so	1	PCE	SWIROT EC16B24204A5 5V 500U0A 10T 3P 0 0
VR202	55179920	00	B	ud	1	PCE	PR-ROT 100K0 OHM NON-LINEAR RK14K12400BR 0 0
VR203	55179920	00	B	ud	1	PCE	PR-ROT 100K0 OHM NON-LINEAR RK14K12400BR 0 0
VR204	55179910	00	B	ud	1	PCE	PR-ROT 100K0 OHM NON-LINEAR RK14K12400BQ 0 0
W201	55180140	NR	B	so	1	PCE	WIRECONASY UNIQUE 1P 200MM UL1007 PVC DISCRETE
X201	55179650	NR	B	ud	1	PCE	CRESONATOR 10M0 HZ 25.0 OHM 0F

**PART NO** : 55261970

**TITEL** : AC ESABD IAU FRONT BD AVR5500

Pos	Tocom#	Pkg	M/B	St	Qty	Unit	SName
020	55262090		M	SO	1	PCE	AC ESABD SMD FRONT BD AVR5500
050	55182490		B	po	1	PCE	AC PCB FRONT AVR520 SINGLE LAYER
C201	20267830	30	B	so	1	PCE	CE 47U0F +20% 16.0V 85C

C202	20267830	30	B	so	1	PCE	CE 47U0F +20% 16.0V 85C
C203	20267830	30	B	so	1	PCE	CE 47U0F +20% 16.0V 85C
C204	20269010	30	B	so	1	PCE	CE 47U0F +20% 50.0V 85C
C210	20268880	30	B	so	1	PCE	CE 10U0F +20% 50.0V 85C
C214	20267830	30	B	so	1	PCE	CE 47U0F +20% 16.0V 85C
C215	20267830	30	B	so	1	PCE	CE 47U0F +20% 16.0V 85C
C219	20269010	30	B	so	1	PCE	CE 47U0F +20% 50.0V 85C
C220	20268880	30	B	so	1	PCE	CE 10U0F +20% 50.0V 85C
C232	20267830	30	B	so	1	PCE	CE 47U0F +20% 16.0V 85C
C233	20267830	30	B	so	1	PCE	CE 47U0F +20% 16.0V 85C
C234	20268950	30	B	so	1	PCE	CE 100N0F +20% 50.0V 85C
C235	10364820	71	B	so	1	PCE	CPF 47N0F +10% 100.0V
C236	10364820	71	B	so	1	PCE	CPF 47N0F +10% 100.0V
CL201	15002130	30	B	so	1	PCE	CE 10U0F +20% 16.0V 85C
CL202	30936230	71	B	so	1	PCE	CC 100P0F +5% -5% 50.0V NP0
CL203	80434590	71	B	so	1	PCE	CC 22P0F +5% -5% 50.0V NP0
CL204	15002130	30	B	so	1	PCE	CE 10U0F +20% 16.0V 85C
CL205	15002130	30	B	so	1	PCE	CE 10U0F +20% 16.0V 85C
CL206	55179370	71	B	so	1	PCE	CPM 18N0F +5% 100.0V
CL207	55179410	NR	B	so	1	PCE	CPM 82N0F +5% 100.0V
CL208	55179390	71	B	so	1	PCE	CPM 3N3F +5% 100.0V
CL209	55179370	71	B	so	1	PCE	CPM 18N0F +5% 100.0V
CR201	15002130	30	B	so	1	PCE	CE 10U0F +20% 16.0V 85C
CR202	30936230	71	B	so	1	PCE	CC 100P0F +5% -5% 50.0V NP0
CR203	80434590	71	B	so	1	PCE	CC 22P0F +5% -5% 50.0V NP0
CR204	15002130	30	B	so	1	PCE	CE 10U0F +20% 16.0V 85C
CR205	15002130	30	B	so	1	PCE	CE 10U0F +20% 16.0V 85C
CR206	55179370	71	B	so	1	PCE	CPM 18N0F +5% 100.0V
CR207	55179410	NR	B	so	1	PCE	CPM 82N0F +5% 100.0V
CR208	55179390	71	B	so	1	PCE	CPM 3N3F +5% 100.0V
CR209	55179370	71	B	so	1	PCE	CPM 18N0F +5% 100.0V
Q222	55133210	56	B	so	1	PCE	TR-SLPLF DTC114YSA N 100MI0A
Q222	55179230	56	B	so	0	PCE	TR-SLPSWA KRC107M N
Q223	55133210	56	B	so	1	PCE	TR-SLPLF DTC114YSA N 100MI0A
Q223	55179230	56	B	so	0	PCE	TR-SLPSWA KRC107M N
Q224	55133210	56	B	so	1	PCE	TR-SLPLF DTC114YSA N 100MI0A
Q224	55179230	56	B	so	0	PCE	TR-SLPSWA KRC107M N
Q225	55133210	56	B	so	1	PCE	TR-SLPLF DTC114YSA N 100MI0A
Q225	55179230	56	B	so	0	PCE	TR-SLPSWA KRC107M N
Q226	55133210	56	B	so	1	PCE	TR-SLPLF DTC114YSA N 100MI0A
Q226	55179230	56	B	so	0	PCE	TR-SLPSWA KRC107M N
Q227	55142670	56	B	so	1	PCE	TR-SLPLF MPSA06 N 500MI0A
Q233	55133350	56	B	so	1	PCE	TR-SLPLF MPSA56 Y P -500MI0A -300V
Q235	55133210	56	B	so	1	PCE	TR-SLPLF DTC114YSA N 100MI0A
Q235	55179230	56	B	so	0	PCE	TR-SLPSWA KRC107M N
Q241	55133290	56	B	so	1	PCE	TR-SLPLF KTD1302 B N 300MI0A 20V
Q242	55133290	56	B	so	1	PCE	TR-SLPLF KTD1302 B N 300MI0A 20V
R201	11059640	16	B	so	1	PCE	RCF 1K0 OHM +5% 250MI0W
R202	11059640	16	B	so	1	PCE	RCF 1K0 OHM +5% 250MI0W

PART NO : 55262090

TITEL : AC ESABD SMD FRONT BD AVR5500

Pos	Tocom#	Pkg	M/B	St	Qty	Unit	SName
C205	20267290	91	B	so	1	PCE	CCCFMIN 100N0F +80% -20% 50.0V Y5V
C206	50882360	91	B	so	1	PCE	CCCFMIN 33P0F +5% -5% 50.0V NP0
C208	50882360	91	B	so	1	PCE	CCCFMIN 33P0F +5% -5% 50.0V NP0
C209	20267290	91	B	so	1	PCE	CCCFMIN 100N0F +80% -20% 50.0V Y5V
C211	15070900	91	B	so	1	PCE	CCCFMIN 820P0F +10% -10% 50.0V NP0
C212	15070900	91	B	so	1	PCE	CCCFMIN 820P0F +10% -10% 50.0V NP0
C213	20267290	91	B	so	1	PCE	CCCFMIN 100N0F +80% -20% 50.0V Y5V
C217	20267290	91	B	so	1	PCE	CCCFMIN 100N0F +80% -20% 50.0V Y5V
C218	20267290	91	B	so	1	PCE	CCCFMIN 100N0F +80% -20% 50.0V Y5V
C228	11058670	91	B	so	1	PCE	CCCFMIN 100P0F +5% -5% 50.0V NP0
C229	11058670	91	B	so	1	PCE	CCCFMIN 100P0F +5% -5% 50.0V NP0
C230	11058670	91	B	so	1	PCE	CCCFMIN 100P0F +5% -5% 50.0V NP0
C237	20267290	91	B	so	1	PCE	CCCFMIN 100N0F +80% -20% 50.0V Y5V
C238	20267290	91	B	so	1	PCE	CCCFMIN 100N0F +80% -20% 50.0V Y5V
C239	20267290	91	B	so	1	PCE	CCCFMIN 100N0F +80% -20% 50.0V Y5V
C240	20267290	91	B	so	1	PCE	CCCFMIN 100N0F +80% -20% 50.0V Y5V
C241	20267290	91	B	so	1	PCE	CCCFMIN 100N0F +80% -20% 50.0V Y5V
C242	20267290	91	B	so	1	PCE	CCCFMIN 100N0F +80% -20% 50.0V Y5V
C244	20267290	91	B	so	1	PCE	CCCFMIN 100N0F +80% -20% 50.0V Y5V
C245	20267290	91	B	so	1	PCE	CCCFMIN 100N0F +80% -20% 50.0V Y5V
C246	11058670	91	B	so	1	PCE	CCCFMIN 100P0F +5% -5% 50.0V NP0
C247	11058670	91	B	so	1	PCE	CCCFMIN 100P0F +5% -5% 50.0V NP0
C248	11058670	91	B	so	1	PCE	CCCFMIN 100P0F +5% -5% 50.0V NP0
CL211	11058670	91	B	so	1	PCE	CCCFMIN 100P0F +5% -5% 50.0V NP0
CR211	11058670	91	B	so	1	PCE	CCCFMIN 100P0F +5% -5% 50.0V NP0
D248	20496510	NR	B	so	1	PCE	D-SLP 1SS355 35.0V 225MI0A
D249	20496510	NR	B	so	1	PCE	D-SLP 1SS355 35.0V 225MI0A
D250	20496510	NR	B	so	1	PCE	D-SLP 1SS355 35.0V 225MI0A
D251	20496510	NR	B	so	1	PCE	D-SLP 1SS355 35.0V 225MI0A
D253	20496510	NR	B	so	1	PCE	D-SLP 1SS355 35.0V 225MI0A
D254	20496510	NR	B	so	1	PCE	D-SLP 1SS355 35.0V 225MI0A
D255	20496510	NR	B	so	1	PCE	D-SLP 1SS355 35.0V 225MI0A
D261	20496510	NR	B	so	1	PCE	D-SLP 1SS355 35.0V 225MI0A
D262	20496510	NR	B	so	1	PCE	D-SLP 1SS355 35.0V 225MI0A
D263	80440510	91	B	so	1	PCE	RMGCFMIN 0 OHM +0% 100MI0W
D264	80440510	91	B	so	1	PCE	RMGCFMIN 0 OHM +0% 100MI0W
IC202	20718660	65	B	so	1	PCE	IC-LOGIC BU4094BF SHIFT REGISTER CMOS
IC203	20718660	65	B	so	1	PCE	IC-LOGIC BU4094BF SHIFT REGISTER CMOS
IC204	20718660	65	B	so	1	PCE	IC-LOGIC BU4094BF SHIFT REGISTER CMOS
J173	80440510	91	B	so	1	PCE	RMGCFMIN 0 OHM +0% 100MI0W
J201	80440510	91	B	so	1	PCE	RMGCFMIN 0 OHM +0% 100MI0W
J206	80440510	91	B	so	1	PCE	RMGCFMIN 0 OHM +0% 100MI0W
J207	80440510	91	B	so	1	PCE	RMGCFMIN 0 OHM +0% 100MI0W
J210	80440510	91	B	so	1	PCE	RMGCFMIN 0 OHM +0% 100MI0W
J211	80440510	91	B	so	1	PCE	RMGCFMIN 0 OHM +0% 100MI0W
J212	80440510	91	B	so	1	PCE	RMGCFMIN 0 OHM +0% 100MI0W
J213	80440510	91	B	so	1	PCE	RMGCFMIN 0 OHM +0% 100MI0W
J214	80440510	91	B	so	1	PCE	RMGCFMIN 0 OHM +0% 100MI0W
J215	80440510	91	B	so	1	PCE	RMGCFMIN 0 OHM +0% 100MI0W
J216	80440510	91	B	so	1	PCE	RMGCFMIN 0 OHM +0% 100MI0W
J217	80440510	91	B	so	1	PCE	RMGCFMIN 0 OHM +0% 100MI0W



Q220	55050920	92	B	so	0	PCE	TR-SSD KRC111S N 10K0 OHM
Q220	55133330	92	B	so	1	PCE	TR-SSD DTC114TKA N 10K0 OHM
Q221	55050920	92	B	so	0	PCE	TR-SSD KRC111S N 10K0 OHM
Q221	55133330	92	B	so	1	PCE	TR-SSD DTC114TKA N 10K0 OHM
Q228	55051240	92	B	so	0	PCE	TR-SSD KRC107S N 10K0 OHM 47K0 OHM
Q228	55133180	92	B	so	1	PCE	TR-SSD DTC114YKA N 10K0 OHM 47K0 OHM
Q229	55051240	92	B	so	0	PCE	TR-SSD KRC107S N 10K0 OHM 47K0 OHM
Q229	55133180	92	B	so	1	PCE	TR-SSD DTC114YKA N 10K0 OHM 47K0 OHM
Q231	55051240	92	B	so	0	PCE	TR-SSD KRC107S N 10K0 OHM 47K0 OHM
Q231	55133180	92	B	so	1	PCE	TR-SSD DTC114YKA N 10K0 OHM 47K0 OHM
Q232	55051240	92	B	so	0	PCE	TR-SSD KRC107S N 10K0 OHM 47K0 OHM
Q232	55133180	92	B	so	1	PCE	TR-SSD DTC114YKA N 10K0 OHM 47K0 OHM
Q234	55051240	92	B	so	0	PCE	TR-SSD KRC107S N 10K0 OHM 47K0 OHM
Q234	55133180	92	B	so	1	PCE	TR-SSD DTC114YKA N 10K0 OHM 47K0 OHM
Q236	55051260	92	B	so	0	PCE	TR-SSD KRA107S P 10K0 OHM 47K0 OHM
Q236	55133190	92	B	so	1	PCE	TR-SSD DTA114YKA P 10K0 OHM 47K0 OHM
Q237	55051240	92	B	so	0	PCE	TR-SSD KRC107S N 10K0 OHM 47K0 OHM
Q237	55133180	92	B	so	1	PCE	TR-SSD DTC114YKA N 10K0 OHM 47K0 OHM
Q239	55050920	92	B	so	0	PCE	TR-SSD KRC111S N 10K0 OHM
Q239	55133330	92	B	so	1	PCE	TR-SSD DTC114TKA N 10K0 OHM
Q240	55050920	92	B	so	0	PCE	TR-SSD KRC111S N 10K0 OHM
Q240	55133330	92	B	so	1	PCE	TR-SSD DTC114TKA N 10K0 OHM
Q243	55051260	92	B	so	0	PCE	TR-SSD KRA107S P 10K0 OHM 47K0 OHM
Q243	55133190	92	B	so	1	PCE	TR-SSD DTA114YKA P 10K0 OHM 47K0 OHM
Q244	55051240	92	B	so	0	PCE	TR-SSD KRC107S N 10K0 OHM 47K0 OHM
Q244	55133180	92	B	so	1	PCE	TR-SSD DTC114YKA N 10K0 OHM 47K0 OHM
R205	50886610	91	B	so	1	PCE	RMGCFMIN 10K0 OHM +5% 100MIOW
R206	60444350	91	B	so	1	PCE	RMGCFMIN 47R0 OHM +5% 100MIOW
R207	60444350	91	B	so	1	PCE	RMGCFMIN 47R0 OHM +5% 100MIOW
R208	60444350	91	B	so	1	PCE	RMGCFMIN 47R0 OHM +5% 100MIOW
R209	60444350	91	B	so	1	PCE	RMGCFMIN 47R0 OHM +5% 100MIOW
R211	60444350	91	B	so	1	PCE	RMGCFMIN 47R0 OHM +5% 100MIOW
R213	60444350	91	B	so	1	PCE	RMGCFMIN 47R0 OHM +5% 100MIOW
R216	60444350	91	B	so	1	PCE	RMGCFMIN 47R0 OHM +5% 100MIOW
R217	80440370	91	B	so	1	PCE	RMGCFMIN 150R0 OHM +5% 100MIOW
R218	60444350	91	B	so	1	PCE	RMGCFMIN 47R0 OHM +5% 100MIOW
R220	60444350	91	B	so	1	PCE	RMGCFMIN 47R0 OHM +5% 100MIOW
R222	60444350	91	B	so	1	PCE	RMGCFMIN 47R0 OHM +5% 100MIOW
R224	60444350	91	B	so	1	PCE	RMGCFMIN 47R0 OHM +5% 100MIOW
R226	60444350	91	B	so	1	PCE	RMGCFMIN 47R0 OHM +5% 100MIOW
R227	80440370	91	B	so	1	PCE	RMGCFMIN 150R0 OHM +5% 100MIOW
R228	80440370	91	B	so	1	PCE	RMGCFMIN 150R0 OHM +5% 100MIOW
R229	80440370	91	B	so	1	PCE	RMGCFMIN 150R0 OHM +5% 100MIOW
R230	80440370	91	B	so	1	PCE	RMGCFMIN 150R0 OHM +5% 100MIOW
R231	80440370	91	B	so	1	PCE	RMGCFMIN 150R0 OHM +5% 100MIOW
R232	80440370	91	B	so	1	PCE	RMGCFMIN 150R0 OHM +5% 100MIOW
R233	80440370	91	B	so	1	PCE	RMGCFMIN 150R0 OHM +5% 100MIOW
R234	80440370	91	B	so	1	PCE	RMGCFMIN 150R0 OHM +5% 100MIOW
R235	80440370	91	B	so	1	PCE	RMGCFMIN 150R0 OHM +5% 100MIOW
R236	80440370	91	B	so	1	PCE	RMGCFMIN 150R0 OHM +5% 100MIOW
R237	80440370	91	B	so	1	PCE	RMGCFMIN 150R0 OHM +5% 100MIOW
R238	80440370	91	B	so	1	PCE	RMGCFMIN 150R0 OHM +5% 100MIOW
R239	80440370	91	B	so	1	PCE	RMGCFMIN 150R0 OHM +5% 100MIOW

R240	80440370	91	B	so	1	PCE	RMGCFMIN 150R0 OHM +5% 100MIOW
R241	80440370	91	B	so	1	PCE	RMGCFMIN 150R0 OHM +5% 100MIOW
R242	80440370	91	B	so	1	PCE	RMGCFMIN 150R0 OHM +5% 100MIOW
R243	80440370	91	B	so	1	PCE	RMGCFMIN 150R0 OHM +5% 100MIOW
R244	80440370	91	B	so	1	PCE	RMGCFMIN 150R0 OHM +5% 100MIOW
R245	80440370	91	B	so	1	PCE	RMGCFMIN 150R0 OHM +5% 100MIOW
R246	80440370	91	B	so	1	PCE	RMGCFMIN 150R0 OHM +5% 100MIOW
R247	80440370	91	B	so	1	PCE	RMGCFMIN 150R0 OHM +5% 100MIOW
R249	20471950	91	B	so	1	PCE	RMGCFMIN 1K0 OHM +5% 100MIOW
R250	20471950	91	B	so	1	PCE	RMGCFMIN 1K0 OHM +5% 100MIOW
R251	20471950	91	B	so	1	PCE	RMGCFMIN 1K0 OHM +5% 100MIOW
R252	70434200	91	B	so	1	PCE	RMGCFMIN 100R0 OHM +5% 100MIOW
R253	20471950	91	B	so	1	PCE	RMGCFMIN 1K0 OHM +5% 100MIOW
R254	20471950	91	B	so	1	PCE	RMGCFMIN 1K0 OHM +5% 100MIOW
R255	20471950	91	B	so	1	PCE	RMGCFMIN 1K0 OHM +5% 100MIOW
R256	20471950	91	B	so	1	PCE	RMGCFMIN 1K0 OHM +5% 100MIOW
R257	70434200	91	B	so	1	PCE	RMGCFMIN 100R0 OHM +5% 100MIOW
R258	20471950	91	B	so	1	PCE	RMGCFMIN 1K0 OHM +5% 100MIOW
R259	20471950	91	B	so	1	PCE	RMGCFMIN 1K0 OHM +5% 100MIOW
R260	20471950	91	B	so	1	PCE	RMGCFMIN 1K0 OHM +5% 100MIOW
R261	20471950	91	B	so	1	PCE	RMGCFMIN 1K0 OHM +5% 100MIOW
R264	70434200	91	B	so	1	PCE	RMGCFMIN 100R0 OHM +5% 100MIOW
R265	20471950	91	B	so	1	PCE	RMGCFMIN 1K0 OHM +5% 100MIOW
R266	30944310	91	B	so	1	PCE	RMGCFMIN 4K7 OHM +5% 100MIOW
R267	30944310	91	B	so	1	PCE	RMGCFMIN 4K7 OHM +5% 100MIOW
R268	30944310	91	B	so	1	PCE	RMGCFMIN 4K7 OHM +5% 100MIOW
R269	30944310	91	B	so	1	PCE	RMGCFMIN 4K7 OHM +5% 100MIOW
R270	30944310	91	B	so	1	PCE	RMGCFMIN 4K7 OHM +5% 100MIOW
R274	20471950	91	B	so	1	PCE	RMGCFMIN 1K0 OHM +5% 100MIOW
R275	20471950	91	B	so	1	PCE	RMGCFMIN 1K0 OHM +5% 100MIOW
R276	70434200	91	B	so	1	PCE	RMGCFMIN 100R0 OHM +5% 100MIOW
R277	10355190	91	B	so	1	PCE	RMGCFMIN 2R2 OHM +5% 100MIOW
R278	10355190	91	B	so	1	PCE	RMGCFMIN 2R2 OHM +5% 100MIOW
R279	50886610	91	B	so	1	PCE	RMGCFMIN 10K0 OHM +5% 100MIOW
R280	50886610	91	B	so	1	PCE	RMGCFMIN 10K0 OHM +5% 100MIOW
R281	50886610	91	B	so	1	PCE	RMGCFMIN 10K0 OHM +5% 100MIOW
R283	50886610	91	B	so	1	PCE	RMGCFMIN 10K0 OHM +5% 100MIOW
R284	20471950	91	B	so	1	PCE	RMGCFMIN 1K0 OHM +5% 100MIOW
R285	20471950	91	B	so	1	PCE	RMGCFMIN 1K0 OHM +5% 100MIOW
R286	50886610	91	B	so	1	PCE	RMGCFMIN 10K0 OHM +5% 100MIOW
R287	11066500	91	B	so	1	PCE	RMGCFMIN 68K0 OHM +5% 100MIOW
R288	11066500	91	B	so	1	PCE	RMGCFMIN 68K0 OHM +5% 100MIOW
R289	11066480	91	B	so	1	PCE	RMGCFMIN 47K0 OHM +5% 100MIOW
R290	30944310	91	B	so	1	PCE	RMGCFMIN 4K7 OHM +5% 100MIOW
R291	70434200	91	B	so	1	PCE	RMGCFMIN 100R0 OHM +5% 100MIOW
R292	50886630	91	B	so	1	PCE	RMGCFMIN 100K0 OHM +5% 100MIOW
R293	11066460	91	B	so	1	PCE	RMGCFMIN 8K2 OHM +5% 100MIOW
R294	50886610	91	B	so	1	PCE	RMGCFMIN 10K0 OHM +5% 100MIOW
R295	20471950	91	B	so	1	PCE	RMGCFMIN 1K0 OHM +5% 100MIOW
R296	20471950	91	B	so	1	PCE	RMGCFMIN 1K0 OHM +5% 100MIOW
R297	20471950	91	B	so	1	PCE	RMGCFMIN 1K0 OHM +5% 100MIOW
R298	80440370	91	B	so	1	PCE	RMGCFMIN 150R0 OHM +5% 100MIOW
R299	60444350	91	B	so	1	PCE	RMGCFMIN 47R0 OHM +5% 100MIOW



R300	60444350	91	B	so	1	PCE	RMGCFMIN 47R0 OHM +5% 100MIOW
R351	90574400	91	B	so	1	PCE	RMGCFMIN 470R0 OHM +5% 100MIOW
R352	90574400	91	B	so	1	PCE	RMGCFMIN 470R0 OHM +5% 100MIOW
R353	11066420	91	B	so	1	PCE	RMGCFMIN 390R0 OHM +5% 100MIOW
R354	11066420	91	B	so	1	PCE	RMGCFMIN 390R0 OHM +5% 100MIOW
R356	90574400	91	B	so	1	PCE	RMGCFMIN 470R0 OHM +5% 100MIOW
R357	90574400	91	B	so	1	PCE	RMGCFMIN 470R0 OHM +5% 100MIOW
R358	11066420	91	B	so	1	PCE	RMGCFMIN 390R0 OHM +5% 100MIOW
R359	11066420	91	B	so	1	PCE	RMGCFMIN 390R0 OHM +5% 100MIOW
R360	80440370	91	B	so	1	PCE	RMGCFMIN 150R0 OHM +5% 100MIOW
R361	20471920	91	B	so	1	PCE	RMGCFMIN 220R0 OHM +5% 100MIOW
R362	20471920	91	B	so	1	PCE	RMGCFMIN 220R0 OHM +5% 100MIOW
R363	20471920	91	B	so	1	PCE	RMGCFMIN 220R0 OHM +5% 100MIOW
R364	20471950	91	B	so	1	PCE	RMGCFMIN 1K0 OHM +5% 100MIOW
R365	60444350	91	B	so	1	PCE	RMGCFMIN 47R0 OHM +5% 100MIOW
R366	20471950	91	B	so	1	PCE	RMGCFMIN 1K0 OHM +5% 100MIOW
RL201	20471950	91	B	so	1	PCE	RMGCFMIN 1K0 OHM +5% 100MIOW
RL202	50886630	91	B	so	1	PCE	RMGCFMIN 100K0 OHM +5% 100MIOW
RL203	50886670	91	B	so	1	PCE	RMGCFMIN 1M0 OHM +5% 100MIOW
RL204	11066480	91	B	so	1	PCE	RMGCFMIN 47K0 OHM +5% 100MIOW
RL205	90574400	91	B	so	1	PCE	RMGCFMIN 470R0 OHM +5% 100MIOW
RL206	50886630	91	B	so	1	PCE	RMGCFMIN 100K0 OHM +5% 100MIOW
RL207	20471940	91	B	so	1	PCE	RMGCFMIN 680R0 OHM +5% 100MIOW
RL208	60444390	91	B	so	1	PCE	RMGCFMIN 3K9 OHM +5% 100MIOW
RL209	60444400	91	B	so	1	PCE	RMGCFMIN 22K0 OHM +5% 100MIOW
RL210	80440390	91	B	so	1	PCE	RMGCFMIN 2K2 OHM +5% 100MIOW
RP381	50886630	91	B	so	1	PCE	RMGCFMIN 100K0 OHM +5% 100MIOW
RP382	50886630	91	B	so	1	PCE	RMGCFMIN 100K0 OHM +5% 100MIOW
RP383	50886630	91	B	so	1	PCE	RMGCFMIN 100K0 OHM +5% 100MIOW
RP384	50886630	91	B	so	1	PCE	RMGCFMIN 100K0 OHM +5% 100MIOW
RP385	50886630	91	B	so	1	PCE	RMGCFMIN 100K0 OHM +5% 100MIOW
RP386	50886630	91	B	so	1	PCE	RMGCFMIN 100K0 OHM +5% 100MIOW
RP387	50886630	91	B	so	1	PCE	RMGCFMIN 100K0 OHM +5% 100MIOW
RP388	50886630	91	B	so	1	PCE	RMGCFMIN 100K0 OHM +5% 100MIOW
RP389	50886630	91	B	so	1	PCE	RMGCFMIN 100K0 OHM +5% 100MIOW
RP390	50886630	91	B	so	1	PCE	RMGCFMIN 100K0 OHM +5% 100MIOW
RP391	50886630	91	B	so	1	PCE	RMGCFMIN 100K0 OHM +5% 100MIOW
RP392	50886630	91	B	so	1	PCE	RMGCFMIN 100K0 OHM +5% 100MIOW
RP393	50886630	91	B	so	1	PCE	RMGCFMIN 100K0 OHM +5% 100MIOW
RP394	50886630	91	B	so	1	PCE	RMGCFMIN 100K0 OHM +5% 100MIOW
RP395	50886630	91	B	so	1	PCE	RMGCFMIN 100K0 OHM +5% 100MIOW
RP396	50886630	91	B	so	1	PCE	RMGCFMIN 100K0 OHM +5% 100MIOW
RP397	50886630	91	B	so	1	PCE	RMGCFMIN 100K0 OHM +5% 100MIOW
RP398	50886630	91	B	so	1	PCE	RMGCFMIN 100K0 OHM +5% 100MIOW
RR201	20471950	91	B	so	1	PCE	RMGCFMIN 1K0 OHM +5% 100MIOW
RR202	50886630	91	B	so	1	PCE	RMGCFMIN 100K0 OHM +5% 100MIOW
RR203	50886670	91	B	so	1	PCE	RMGCFMIN 1M0 OHM +5% 100MIOW
RR204	11066480	91	B	so	1	PCE	RMGCFMIN 47K0 OHM +5% 100MIOW
RR205	90574400	91	B	so	1	PCE	RMGCFMIN 470R0 OHM +5% 100MIOW
RR206	50886630	91	B	so	1	PCE	RMGCFMIN 100K0 OHM +5% 100MIOW
RR207	20471940	91	B	so	1	PCE	RMGCFMIN 680R0 OHM +5% 100MIOW
RR208	60444390	91	B	so	1	PCE	RMGCFMIN 3K9 OHM +5% 100MIOW
RR209	60444400	91	B	so	1	PCE	RMGCFMIN 22K0 OHM +5% 100MIOW

RR210	80440390	91	B	so	1	PCE	RMGCFMIN 2K2 OHM +5% 100MI0W
-------	----------	----	---	----	---	-----	------------------------------

PART NO : 55261910

TITEL : AC EMBD IMA INPUT BD AVR5500

Pos	Tocom#	Pkg	M/B	St	Qty	Unit	SName
020	55262060		M	SO	1	PCE	AC ESABD IAU INPUT BD AVR5500
030	55188920		X	ud	1	PCE	AC SCHEMATIC INPUT BD AVR520 OEM
040	20290150		B	so	0.015	KG	SOLDER BAR 52SN/45PB/3SB BAR
041	15481260		B	so	0.015	L	SLDC FLUX LRES FOAM SM32DHT-2
CN102	55175920	NR	B	so	1	PCE	WIRECONASY UNIQUE 10P 520MM UL1533 SHIELD 28 1
CN103	55221860	NR	B	ud	1	PCE	WIRECONASY UNIQUE 12P 290MM UL1533 SHIELD 28 1
CP101	55174640		B	so	1	PCE	CONN 2.0MM 9 MA R NAT SOCKET MOLEX 35237-0910 0 0
CP102	55125030		B	so	1	PCE	CONN 2.0MM 11 MA R NAT MOLEX 35237-1110 0 0
JK101	55207740		B	so	1	PCE	CON PHONO SCKT RCA 2P JE021163TN BRN/TAN
JK102	55191410		B	so	1	PCE	CON PHONO SCKT RCA 4P JW-4104RSB
JK103	55191800		B	so	1	PCE	CON PHONO SCKT RCA 6P JW4105RSG W/GNDCAP WH,RD,BU,WH,RD,BU

PART NO : 55262060

TITEL : AC ESABD IAU INPUT BD AVR5500

Pos	Tocom#	Pkg	M/B	St	Qty	Unit	SName
020	55262130		M	SO	1	PCE	AC ESABD SMD INPUT BD AVR5500
040	55182510		B	so	1	PCE	AC PCB INPUT AVR520 SINGLE LAYER
C101	20268880	30	B	so	1	PCE	CE 10U0F +20% 50.0V 85C
C102	20268880	30	B	so	1	PCE	CE 10U0F +20% 50.0V 85C
C103	20268880	30	B	so	1	PCE	CE 10U0F +20% 50.0V 85C
C104	20268880	30	B	so	1	PCE	CE 10U0F +20% 50.0V 85C
C105	20267830	30	B	so	1	PCE	CE 47U0F +20% 16.0V 85C
C106	20267830	30	B	so	1	PCE	CE 47U0F +20% 16.0V 85C
C107	20268880	30	B	so	1	PCE	CE 10U0F +20% 50.0V 85C
C108	20268880	30	B	so	1	PCE	CE 10U0F +20% 50.0V 85C
C109	20936650	16	B	so	1	PCE	CC 100P0F +10% -10% 50.0V Y5P
C110	20936650	16	B	so	1	PCE	CC 100P0F +10% -10% 50.0V Y5P
C111	20936650	16	B	so	1	PCE	CC 100P0F +10% -10% 50.0V Y5P
C112	20268880	30	B	so	1	PCE	CE 10U0F +20% 50.0V 85C
C113	20268880	30	B	so	1	PCE	CE 10U0F +20% 50.0V 85C
C114	20936650	16	B	so	1	PCE	CC 100P0F +10% -10% 50.0V Y5P
C115	20936650	16	B	so	1	PCE	CC 100P0F +10% -10% 50.0V Y5P
C116	20936650	16	B	so	1	PCE	CC 100P0F +10% -10% 50.0V Y5P
C119	20246470	71	B	so	1	PCE	CC 100N0F +80% -20% 25.0V Z5V
C123	20246470	71	B	so	1	PCE	CC 100N0F +80% -20% 25.0V Z5V
C126	20246470	71	B	so	1	PCE	CC 100N0F +80% -20% 25.0V Z5V
C127	20267830	30	B	so	1	PCE	CE 47U0F +20% 16.0V 85C
C128	20267830	30	B	so	1	PCE	CE 47U0F +20% 16.0V 85C
C129	10291350	16	B	sr	1	PCE	CC 33P0F +5% -5% 50.0V SL
C130	20268880	30	B	so	1	PCE	CE 10U0F +20% 50.0V 85C
C131	10291350	16	B	sr	1	PCE	CC 33P0F +5% -5% 50.0V SL
C132	20268880	30	B	so	1	PCE	CE 10U0F +20% 50.0V 85C
C133	20267830	30	B	so	1	PCE	CE 47U0F +20% 16.0V 85C
C134	20267830	30	B	so	1	PCE	CE 47U0F +20% 16.0V 85C
C135	20268880	30	B	so	1	PCE	CE 10U0F +20% 50.0V 85C
C136	20268880	30	B	so	1	PCE	CE 10U0F +20% 50.0V 85C

C137	20267830	30	B	so	1	PCE	CE 47U0F +20% 16.0V 85C
C138	20267830	30	B	so	1	PCE	CE 47U0F +20% 16.0V 85C
Q101	55133350	56	B	so	1	PCE	TR-SLPLF MPSA56 Y P -500MIOA -300V
Q102	55133290	56	B	so	1	PCE	TR-SLPLF KTD1302 B N 300MIOA 20V
Q103	55133290	56	B	so	1	PCE	TR-SLPLF KTD1302 B N 300MIOA 20V
Q104	55133210	56	B	so	1	PCE	TR-SLPLF DTC114YSA N 100MIOA
R101	50882950	16	B	so	1	PCE	RCF 100R0 OHM +5% 250MIOW
R102	50882950	16	B	so	1	PCE	RCF 100R0 OHM +5% 250MIOW
R103	30939510	16	B	so	1	PCE	RCF 100K0 OHM +5% 250MIOW
R104	30939510	16	B	so	1	PCE	RCF 100K0 OHM +5% 250MIOW
R105	30939510	16	B	so	1	PCE	RCF 100K0 OHM +5% 250MIOW
R106	30939510	16	B	so	1	PCE	RCF 100K0 OHM +5% 250MIOW
R107	11059640	16	B	so	1	PCE	RCF 1K0 OHM +5% 250MIOW
R108	11059640	16	B	so	1	PCE	RCF 1K0 OHM +5% 250MIOW
R109	11059640	16	B	so	1	PCE	RCF 1K0 OHM +5% 250MIOW
R110	30939510	16	B	so	1	PCE	RCF 100K0 OHM +5% 250MIOW
R111	30939510	16	B	so	1	PCE	RCF 100K0 OHM +5% 250MIOW
R112	11059640	16	B	so	1	PCE	RCF 1K0 OHM +5% 250MIOW
R113	11059640	16	B	so	1	PCE	RCF 1K0 OHM +5% 250MIOW
R114	30939510	16	B	so	1	PCE	RCF 100K0 OHM +5% 250MIOW
R115	30939510	16	B	so	1	PCE	RCF 100K0 OHM +5% 250MIOW
R116	11059640	16	B	so	1	PCE	RCF 1K0 OHM +5% 250MIOW
R117	11059640	16	B	so	1	PCE	RCF 1K0 OHM +5% 250MIOW
R118	11059640	16	B	so	1	PCE	RCF 1K0 OHM +5% 250MIOW
R119	11059640	16	B	so	1	PCE	RCF 1K0 OHM +5% 250MIOW
R120	11059640	16	B	so	1	PCE	RCF 1K0 OHM +5% 250MIOW
R121	50882950	16	B	so	1	PCE	RCF 100R0 OHM +5% 250MIOW
R122	50882950	16	B	so	1	PCE	RCF 100R0 OHM +5% 250MIOW
R123	30939480	16	B	so	1	PCE	RCF 10K0 OHM +5% 250MIOW
R124	11059640	16	B	so	1	PCE	RCF 1K0 OHM +5% 250MIOW
R125	70430560	16	B	so	1	PCE	RCF 5K6 OHM +5% 250MIOW
R126	11059640	16	B	so	1	PCE	RCF 1K0 OHM +5% 250MIOW
R127	30939510	16	B	so	1	PCE	RCF 100K0 OHM +5% 250MIOW
R128	50882970	16	B	so	1	PCE	RCF 470R0 OHM +5% 250MIOW
R129	70430560	16	B	so	1	PCE	RCF 5K6 OHM +5% 250MIOW
R130	11059640	16	B	so	1	PCE	RCF 1K0 OHM +5% 250MIOW
R131	30939510	16	B	so	1	PCE	RCF 100K0 OHM +5% 250MIOW
R132	50882970	16	B	so	1	PCE	RCF 470R0 OHM +5% 250MIOW
R133	50882950	16	B	so	1	PCE	RCF 100R0 OHM +5% 250MIOW
R134	50882950	16	B	so	1	PCE	RCF 100R0 OHM +5% 250MIOW
R135	30939510	16	B	so	1	PCE	RCF 100K0 OHM +5% 250MIOW
R136	30939510	16	B	so	1	PCE	RCF 100K0 OHM +5% 250MIOW
R137	50882950	16	B	so	1	PCE	RCF 100R0 OHM +5% 250MIOW
R138	50882950	16	B	so	1	PCE	RCF 100R0 OHM +5% 250MIOW
R139	50882950	16	B	so	1	PCE	RCF 100R0 OHM +5% 250MIOW
R140	50882950	16	B	so	1	PCE	RCF 100R0 OHM +5% 250MIOW
R141	11059780	16	B	so	1	PCE	RCF 1M0 OHM +5% 250MIOW
R142	60441600	16	B	so	1	PCE	RCF 68K0 OHM +5% 250MIOW

**PART NO** : 55262130

**TITEL** : AC ESABD SMD INPUT BD AVR5500

Pos	Tocom#	Pkg	M/B	St	Qty	Unit	SName
IC101	55142710	NR	B	so	1	PCE	IC-SWITCH KIC9162AF ANALOG SWITCH
IC102	55142720	NR	B	so	1	PCE	IC-LOWFREQ KIC9459F SOP24 TONE/VOL/BAL/MUTE
IC103	55142610	NR	B	so	1	PCE	IC-OPERAMP NJM2068M DUAL OP
IC104	55142610	NR	B	so	1	PCE	IC-OPERAMP NJM2068M DUAL OP

PART NO : 55182760

TITEL : AC EMBD IMA KEY BD AVR520

Pos	Tocom#	Pkg	M/B	St	Qty	Unit	SName
020	55182770		M	SO	1	PCE	AC ESABD IAU KEY BD AVR520
030	55188950		X	ud	1	PCE	AC SCHEMATIC KEY BD AVR520 OEM
040	20290150		B	so	0.015	KG	SOLDER BAR 52SN/45PB/3SB BAR
041	15481260		B	so	0.015	L	SLDC FLUX LRES FOAM SM32DHT-2
CN401	55175800	NR	B	so	1	PCE	WIRECONASY UNIQUE 8P 100MM UL1007 PVC DISCRETE 26 1
CN402	55175820	NR	B	so	1	PCE	WIRECONASY UNIQUE 5P 100MM UL1007 PVC DISCRETE 26 1
CN403	55175870	NR	B	so	1	PCE	WIRECONASY UNIQUE 3P 600MM UL2547 28 1
CP403	55090070		B	so	1	PCE	CONN 2.0MM 2 MA ST NAT LW2002P0200T 0 0
CP404	55123310		B	so	1	PCE	CONN 2.0MM 4 MA ST NAT LW2002P04 0 0
CP405	55123310		B	so	1	PCE	CONN 2.0MM 4 MA ST NAT LW2002P04 0 0
D401	55179330	NR	B	so	1	PCE	D-LEM RED/GREEN 5 RD RND CL
FN401	55176420		B	ud	1	PCE	AC PUN BRACKET BKT GROUND ET 0.5T AVR520
FN402	55176420		B	ud	1	PCE	AC PUN BRACKET BKT GROUND ET 0.5T AVR520
HP401	55088400		B	so	1	PCE	CONN-PHJAC 6.35 ST HORZ EST-J6313 BK 0 0
IC401	55179630	NR	B	so	1	PCE	PHOTCOUP PC-17T1 PHOTOCOUPLER DIP4
IC402	55179630	NR	B	so	1	PCE	PHOTCOUP PC-17T1 PHOTOCOUPLER DIP4
JA402	55176390		B	so	1	PCE	CON PHONO SCKT STEREO JACK JW350S
JA403	55176390		B	so	1	PCE	CON PHONO SCKT STEREO JACK JW350S
JA404	55176390		B	so	1	PCE	CON PHONO SCKT STEREO JACK JW350S
L401	55168840	16	B	so	1	PCE	LF 47U0H +10% 5.8 OHM 70MI0A
L402	55168840	16	B	so	1	PCE	LF 47U0H +10% 5.8 OHM 70MI0A
Q402	55133220	56	B	so	0	PCE	TR-SLPLF DTA114YSA P 100MI0A
Q402	55179220	56	B	so	1	PCE	TR-SLPSWA KRA107M P
W401	55180140	NR	B	so	1	PCE	WIRECONASY UNIQUE 1P 200MM UL1007 PVC DISCRETE 18 1

PART NO : 55182770

TITEL : AC ESABD IAU KEY BD AVR520

Pos	Tocom#	Pkg	M/B	St	Qty	Unit	SName
020	55182780		M	SO	1	PCE	AC ESABD SMD KEY BD AVR520
021	55179530		B	ud	1	PCE	AC PCB KEY BD 247*163 AVR520 DUAL LAYERS
Q403	55133220	56	B	so	0	PCE	TR-SLPLF DTA114YSA P 100MI0A
Q403	55179220	56	B	so	1	PCE	TR-SLPSWA KRA107M P
SW401	55145270	KX	B	so	1	PCE	SWITACT VERTICAL TACTILE F/B 50MI0A 12.0V 500MI0OHM
SW402	55145270	KX	B	so	1	PCE	SWITACT VERTICAL TACTILE F/B 50MI0A 12.0V 500MI0OHM
SW403	55145270	KX	B	so	1	PCE	SWITACT VERTICAL TACTILE F/B 50MI0A 12.0V 500MI0OHM
SW404	55145270	KX	B	so	1	PCE	SWITACT VERTICAL TACTILE F/B 50MI0A 12.0V 500MI0OHM
SW405	55145270	KX	B	so	1	PCE	SWITACT VERTICAL TACTILE F/B 50MI0A 12.0V 500MI0OHM
SW406	55145270	KX	B	so	1	PCE	SWITACT VERTICAL TACTILE F/B 50MI0A 12.0V 500MI0OHM
SW407	55145270	KX	B	so	1	PCE	SWITACT VERTICAL TACTILE F/B 50MI0A 12.0V 500MI0OHM
SW408	55145270	KX	B	so	1	PCE	SWITACT VERTICAL TACTILE F/B 50MI0A 12.0V 500MI0OHM
SW409	55145270	KX	B	so	1	PCE	SWITACT VERTICAL TACTILE F/B 50MI0A 12.0V 500MI0OHM
SW410	55145270	KX	B	so	1	PCE	SWITACT VERTICAL TACTILE F/B 50MI0A 12.0V 500MI0OHM
SW411	55145270	KX	B	so	1	PCE	SWITACT VERTICAL TACTILE F/B 50MI0A 12.0V 500MI0OHM
SW412	55145270	KX	B	so	1	PCE	SWITACT VERTICAL TACTILE F/B 50MI0A 12.0V 500MI0OHM
SW413	55145270	KX	B	so	1	PCE	SWITACT VERTICAL TACTILE F/B 50MI0A 12.0V 500MI0OHM
SW414	55145270	KX	B	so	1	PCE	SWITACT VERTICAL TACTILE F/B 50MI0A 12.0V 500MI0OHM
SW415	55145270	KX	B	so	1	PCE	SWITACT VERTICAL TACTILE F/B 50MI0A 12.0V 500MI0OHM

SW416	55145270	KX	B	so	1	PCE	SWITACT VERTICAL TACTILE F/B 50MI0A 12.0V 500MI0OHM
SW417	55145270	KX	B	so	1	PCE	SWITACT VERTICAL TACTILE F/B 50MI0A 12.0V 500MI0OHM
SW418	55145270	KX	B	so	1	PCE	SWITACT VERTICAL TACTILE F/B 50MI0A 12.0V 500MI0OHM
SW419	55145270	KX	B	so	1	PCE	SWITACT VERTICAL TACTILE F/B 50MI0A 12.0V 500MI0OHM
SW420	55145270	KX	B	so	1	PCE	SWITACT VERTICAL TACTILE F/B 50MI0A 12.0V 500MI0OHM

**PART NO** : 55182780

**TITEL** : AC ESABD SMD KEY BD AVR520

Pos	Tocom#	Pkg	M/B	St	Qty	Unit	SName
C401	30939240	91	B	so	1	PCE	CCCFMIN 22N0F +10% -10% 50.0V X7R
C402	30939240	91	B	so	1	PCE	CCCFMIN 22N0F +10% -10% 50.0V X7R
C403	11059330	91	B	so	1	PCE	CCCFMIN 2N2F +10% -10% 50.0V X7R
C404	11059330	91	B	so	1	PCE	CCCFMIN 2N2F +10% -10% 50.0V X7R
C405	20267290	91	B	so	1	PCE	CCCFMIN 100N0F +80% -20% 50.0V Y5V
C406	20267290	91	B	so	1	PCE	CCCFMIN 100N0F +80% -20% 50.0V Y5V
C416	20267290	91	B	so	1	PCE	CCCFMIN 100N0F +80% -20% 50.0V Y5V
D402	20496510	NR	B	so	1	PCE	D-SLP 1SS355 35.0V 225MI0A
D403	20496510	NR	B	so	1	PCE	D-SLP 1SS355 35.0V 225MI0A
D404	20496510	NR	B	so	1	PCE	D-SLP 1SS355 35.0V 225MI0A
D405	20496510	NR	B	so	1	PCE	D-SLP 1SS355 35.0V 225MI0A
D406	20496510	NR	B	so	1	PCE	D-SLP 1SS355 35.0V 225MI0A
Q401	55051240	92	B	so	0	PCE	TR-SSD KRC107S N 10K0 OHM 47K0 OHM
Q401	55133180	92	B	so	1	PCE	TR-SSD DTC114YKA N 10K0 OHM 47K0 OHM
R401	50886610	91	B	so	1	PCE	RMGCFMIN 10K0 OHM +5% 100MI0W
R402	20471950	91	B	so	1	PCE	RMGCFMIN 1K0 OHM +5% 100MI0W
R403	70434230	91	B	so	1	PCE	RMGCFMIN 1K2 OHM +5% 100MI0W
R404	40438290	91	B	so	1	PCE	RMGCFMIN 1K5 OHM +5% 100MI0W
R405	80440390	91	B	so	1	PCE	RMGCFMIN 2K2 OHM +5% 100MI0W
R406	50886590	91	B	so	1	PCE	RMGCFMIN 2K7 OHM +5% 100MI0W
R407	11066440	91	B	so	1	PCE	RMGCFMIN 3K3 OHM +5% 100MI0W
R408	80440400	91	B	so	1	PCE	RMGCFMIN 5K6 OHM +5% 100MI0W
R409	11066460	91	B	so	1	PCE	RMGCFMIN 8K2 OHM +5% 100MI0W
R410	90574430	91	B	so	1	PCE	RMGCFMIN 18K0 OHM +5% 100MI0W
R411	50886610	91	B	so	1	PCE	RMGCFMIN 10K0 OHM +5% 100MI0W
R412	20471950	91	B	so	1	PCE	RMGCFMIN 1K0 OHM +5% 100MI0W
R413	70434230	91	B	so	1	PCE	RMGCFMIN 1K2 OHM +5% 100MI0W
R414	40438290	91	B	so	1	PCE	RMGCFMIN 1K5 OHM +5% 100MI0W
R415	80440390	91	B	so	1	PCE	RMGCFMIN 2K2 OHM +5% 100MI0W
R416	50886590	91	B	so	1	PCE	RMGCFMIN 2K7 OHM +5% 100MI0W
R417	11066440	91	B	so	1	PCE	RMGCFMIN 3K3 OHM +5% 100MI0W
R418	80440400	91	B	so	1	PCE	RMGCFMIN 5K6 OHM +5% 100MI0W
R419	11066460	91	B	so	1	PCE	RMGCFMIN 8K2 OHM +5% 100MI0W
R420	90574430	91	B	so	1	PCE	RMGCFMIN 18K0 OHM +5% 100MI0W
R421	60444370	91	B	so	1	PCE	RMGCFMIN 180R0 OHM +5% 100MI0W
R422	60444370	91	B	so	1	PCE	RMGCFMIN 180R0 OHM +5% 100MI0W
R423	20471940	91	B	so	1	PCE	RMGCFMIN 680R0 OHM +5% 100MI0W
R424	20471940	91	B	so	1	PCE	RMGCFMIN 680R0 OHM +5% 100MI0W
R429	90574400	91	B	so	1	PCE	RMGCFMIN 470R0 OHM +5% 100MI0W
R430	60444390	91	B	so	1	PCE	RMGCFMIN 3K9 OHM +5% 100MI0W
R431	11066480	91	B	so	1	PCE	RMGCFMIN 47K0 OHM +5% 100MI0W
R432	60444350	91	B	so	1	PCE	RMGCFMIN 47R0 OHM +5% 100MI0W

R433	60444350	91	B	so	1	PCE	RMGCFMIN 47R0 OHM +5% 100MI0W
R434	60444380	91	B	so	1	PCE	RMGCFMIN 270R0 OHM +5% 100MI0W
R435	50886610	91	B	so	1	PCE	RMGCFMIN 10K0 OHM +5% 100MI0W
R436	11066480	91	B	so	1	PCE	RMGCFMIN 47K0 OHM +5% 100MI0W



PART NO :55261840

TITEL : AC EMBD IMA MAIN BD AVR5500

Pos	Tocom#	Pkg	M/B	St	Qty	Unit	SName
020	55262010		M	SO	1	PCE	AC ESABD IAU MAIN BD AVR5500
030	55188890		X	ud	1	PCE	AC SCHEMATIC MAIN BD AVR520 OEM
040	20290150		B	so	0.015	KG	SOLDER BAR 52SN/45PB/3SB BAR
041	15481260		B	so	0.015	L	SLDC FLUX LRES FOAM SM32DHT-2
050	55176400		B	ud	1	PCE	AC METAL HEATSINK REG 118*20*50H AVR520 --
C421	13076940	AM	B	so	1	PCE	CE 470U0F +20% 63.0V 85C
C422	13076940	AM	B	so	1	PCE	CE 470U0F +20% 63.0V 85C
C423	13076940	AM	B	so	1	PCE	CE 470U0F +20% 63.0V 85C
C424	13076940	AM	B	so	1	PCE	CE 470U0F +20% 63.0V 85C
C481	55180370	NR	B	ud	1	PCE	CE 10MI0F +20% 63.0V 85C
C482	55180370	NR	B	ud	1	PCE	CE 10MI0F +20% 63.0V 85C
C485	40433130	30	B	so	1	PCE	CE 2MI2F +20% 35.0V 85C
C486	40433130	30	B	so	1	PCE	CE 2MI2F +20% 35.0V 85C
C487	55126160	NR	B	so	1	PCE	CE 6MI8F +20% 16.0V 85C
C488	13039870	AM	B	so	1	PCE	CE 2MI2F +20% 16.0V 85C
C511	13076940	AM	B	so	1	PCE	CE 470U0F +20% 63.0V 85C
C512	13076940	AM	B	so	1	PCE	CE 470U0F +20% 63.0V 85C
CN401	55171550		B	so	1	PCE	CON 3.96MM PITCH MOLEX 35313-0310
CN402	55146610		B	so	1	PCE	CONN 2.5MM 6 MA ST NAT 0 0
CN403	55146570		B	so	1	PCE	CONN 2.5MM 3 MA ST NAT 0 0
CN407	55171520		B	so	1	PCE	CONN 2.0MM 5 MA ST NAT MOLEX 35336-0510 0 0
CN408	55125010		B	so	1	PCE	CONN 2.0MM 15 MA R NAT MOLEX 35336-1510 0 0
CN409	55125010		B	so	1	PCE	CONN 2.0MM 15 MA R NAT MOLEX 35336-1510 0 0
CN410	55125010		B	so	1	PCE	CONN 2.0MM 15 MA R NAT MOLEX 35336-1510 0 0
CN411	55125010		B	so	1	PCE	CONN 2.0MM 15 MA R NAT MOLEX 35336-1510 0 0
CN412	55174630		B	so	1	PCE	CONN 2.0MM 19 MA ST NAT MOLEX 35336-1910 0 0
CN413	55174620		B	so	1	PCE	CONN 2.0MM 17 MA ST NAT MOLEX 35336-1710 0 0
CN414	55179440		B	so	1	PCE	CONN 1.25MM 27 FE ST WH GF120-27S-TS 2794 A4
CN415	55205630		B	so	1	PCE	CONN 2.0MM 16 MA ST NAT MOLEX 35336-1610 0 0
CN416	55123330		B	so	1	PCE	CONN 2.0MM 6 MA ST NAT LW2002P06 0 0
CN417	55146570		B	so	1	PCE	CONN 2.5MM 3 MA ST NAT 0 0
CN418	55124960		B	so	1	PCE	CONN 2.0MM 11 MA R NAT MOLEX 35336-1110 0 0
CN419	55174590		B	so	1	PCE	CONN 2.0MM 9 MA ST NAT MOLEX 35336-0910 0 0
CP401	55182570	NR	B	so	1	PCE	WIRECONASY UNIQUE 7P 240MM UL1533 SHIELD 28 1
D481	55179320	NR	B	so	1	PCE	D-BRDLC BRIDGE BU10-04
D482	55179300	NR	B	ud	1	PCE	D-BRDLC BRIDGE W2-04F FRONTIER
D568	55125540	NR	B	ud	1	PCE	D-BRDLC BU6-04F
FU481	55015620	NR	B	so	1	PCE	FUSVDETIMELG 2.0 A 250.0 V 5X20
FU482	55015620	NR	B	so	1	PCE	FUSVDETIMELG 2.0 A 250.0 V 5X20
FU483	55015620	NR	B	so	1	PCE	FUSVDETIMELG 2.0 A 250.0 V 5X20
FU484	55015620	NR	B	so	1	PCE	FUSVDETIMELG 2.0 A 250.0 V 5X20
G011	55135980	NR	B	so	1	PCE	TERMLUG GND
IC101	55142240	NR	B	so	1	PCE	IC-OPERAMP NJM2068DD DUAL OP
IC481	20832440	NR	B	so	1	PCE	IC-REGPOSFXD KIA7815API NORMAL
IC482	55124020	NR	B	so	1	PCE	IC-REGNEGFXD KIA7915PI NORMAL
IC483	55125450	NR	B	so	1	PCE	IC-REGPOSFXD BA033T NORMAL
IC484	55123960	NR	B	so	1	PCE	IC-REGPOSFXD KIA7805API NORMAL
IC485	55123960	NR	B	so	1	PCE	IC-REGPOSFXD KIA7805API NORMAL
IC486	55123990	NR	B	so	1	PCE	IC-REGNEGFXD KIA7905PI NORMAL

IC487	55179240	NR	B	so	1	PCE	IC-REGULADJ KA337 TO-220
JK404	55191420		B	so	1	PCE	CON PHONO SCKT RCA 4P JW-4104RSA
JK405	55191480		B	so	1	PCE	CON PHONO SCKT RCA 6P JW-4105RSB
JK407	55176330		B	so	1	PCE	CON PHONO SCKT RCA 4P JW4104RS GND
JK408	55191370		B	so	1	PCE	CON PHONO SCKT RCA 1P JACK JE010003XN
JK503	55191400	NR	B	so	1	PCE	CONN-SPE TERMINAL SPKR 6P SH0611705P FE 19MM 6 BK
L401	55233160	NR	M	UD	1	PCE	LF 700N0H
L402	55233160	NR	M	UD	1	PCE	LF 700N0H
L501	55233160	NR	M	UD	1	PCE	LF 700N0H
P551	55179640	NR	B	so	1	PCE	POS 100R0 OHM 16.0V
Q425	55179200	NR	B	so	1	PCE	TR-SHPLF 2SC4883A N 2.0A
Q426	55179200	NR	B	so	1	PCE	TR-SHPLF 2SC4883A N 2.0A
Q433	55179190	NR	B	so	1	PCE	TR-SHPLF 2SA1859A P -2.0A
Q434	55179190	NR	B	so	1	PCE	TR-SHPLF 2SA1859A P -2.0A
Q435	55179200	NR	B	so	1	PCE	TR-SHPLF 2SC4883A N 2.0A
Q436	55179200	NR	B	so	1	PCE	TR-SHPLF 2SC4883A N 2.0A
Q437	55179180	NR	B	so	1	PCE	TR-SHPLF 2SC5358-R N 15.0A
Q438	55179180	NR	B	so	1	PCE	TR-SHPLF 2SC5358-R N 15.0A
Q439	55179150	NR	B	so	1	PCE	TR-SHPLF 2SA1986-R P -15.0A
Q440	55179150	NR	B	so	1	PCE	TR-SHPLF 2SA1986-R P -15.0A
Q513	55179200	NR	B	so	1	PCE	TR-SHPLF 2SC4883A N 2.0A
Q517	55179190	NR	B	so	1	PCE	TR-SHPLF 2SA1859A P -2.0A
Q518	55179200	NR	B	so	1	PCE	TR-SHPLF 2SC4883A N 2.0A
Q519	55179180	NR	B	so	1	PCE	TR-SHPLF 2SC5358-R N 15.0A
Q520	55179150	NR	B	so	1	PCE	TR-SHPLF 2SA1986-R P -15.0A
R471	55179340	NR	B	ud	1	PCE	RW 220MI0 OHM +5% 5.0W 600PPM/'C -600PPM/'C
R472	55179340	NR	B	ud	1	PCE	RW 220MI0 OHM +5% 5.0W 600PPM/'C -600PPM/'C
R475	60442550	16	B	so	1	PCE	RMOF 10R0 OHM +5% 1.0W
R476	60442550	16	B	so	1	PCE	RMOF 10R0 OHM +5% 1.0W
R481	15022710	06	B	so	1	PCE	RMOF 10R0 OHM +5% 2.0W
R482	15022710	06	B	so	1	PCE	RMOF 10R0 OHM +5% 2.0W
R483	15022710	06	B	so	1	PCE	RMOF 10R0 OHM +5% 2.0W
R484	80442780	NR	B	so	1	PCE	RMOF 4R7 OHM +5% 2.0W
R485	80442780	NR	B	so	1	PCE	RMOF 4R7 OHM +5% 2.0W
R486	80442780	NR	B	so	1	PCE	RMOF 4R7 OHM +5% 2.0W
R487	40440550	NR	B	so	1	PCE	RMOF 3R3 OHM +5% 2.0W
R536	55179340	NR	B	ud	1	PCE	RW 220MI0 OHM +5% 5.0W 600PPM/'C -600PPM/'C
R538	60442550	16	B	so	1	PCE	RMOF 10R0 OHM +5% 1.0W
VR401	55152180	NR	B	so	1	PCE	PR 1K0 OHM +30% 100MI0W
VR402	55152180	NR	B	so	1	PCE	PR 1K0 OHM +30% 100MI0W
VR501	55152180	NR	B	so	1	PCE	PR 1K0 OHM +30% 100MI0W
W401	55104610		M	SO	1	PCE	WCL 250-10-10 UL1007 HOOK-UP 18 250MM BK 10 10 20338840 0.0MM
W402	20899230		B	so	1	PCE	WCL 050-05-05 UL1007 HOOK-UP 26 50MM BK 5 5 20182780 0.0MM
WA401	55146560		B	so	1	PCE	CONN 2.5MM 2 MA ST NAT 0 0
WA402	55146560		B	so	1	PCE	CONN 2.5MM 2 MA ST NAT 0 0
WA403	55146560		B	so	1	PCE	CONN 2.5MM 2 MA ST NAT 0 0

PART NO : 55262010

TITEL : AC ESABD IAU MAIN BD AVR5500

Pos	Tocom#	Pkg	M/B	St	Qty	Unit	SName
020	5518250A		B	po	1	PCE	AC PCB MAIN AVR520 SINGLE LAYER
C101	20267830	30	B	so	1	PCE	CE 47U0F +20% 16.0V 85C
C102	20267830	30	B	so	1	PCE	CE 47U0F +20% 16.0V 85C
C103	15002130	30	B	so	1	PCE	CE 10U0F +20% 16.0V 85C
C104	15002130	30	B	so	1	PCE	CE 10U0F +20% 16.0V 85C
C105	20936650	16	B	so	1	PCE	CC 100P0F +10% -10% 50.0V Y5P
C106	20936650	16	B	so	1	PCE	CC 100P0F +10% -10% 50.0V Y5P
C107	20936650	16	B	so	1	PCE	CC 100P0F +10% -10% 50.0V Y5P
C108	20936650	16	B	so	1	PCE	CC 100P0F +10% -10% 50.0V Y5P
C109	20293470	16	B	so	1	PCE	CC 100N0F +80% -20% 50.0V F
C110	20936650	16	B	so	1	PCE	CC 100P0F +10% -10% 50.0V Y5P
C111	20936650	16	B	so	1	PCE	CC 100P0F +10% -10% 50.0V Y5P
C112	20936650	16	B	so	1	PCE	CC 100P0F +10% -10% 50.0V Y5P
C113	20936650	16	B	so	1	PCE	CC 100P0F +10% -10% 50.0V Y5P
C115	20250040	16	B	so	1	PCE	CC 220P0F +10% -10% 50.0V Y5P
C117	20250040	16	B	so	1	PCE	CC 220P0F +10% -10% 50.0V Y5P
C118	20293470	16	B	so	1	PCE	CC 100N0F +80% -20% 50.0V F
C119	20936650	16	B	so	1	PCE	CC 100P0F +10% -10% 50.0V Y5P
C120	20936650	16	B	so	1	PCE	CC 100P0F +10% -10% 50.0V Y5P
C121	20936650	16	B	so	1	PCE	CC 100P0F +10% -10% 50.0V Y5P
C122	20936650	16	B	so	1	PCE	CC 100P0F +10% -10% 50.0V Y5P
C123	20293470	16	B	so	1	PCE	CC 100N0F +80% -20% 50.0V F
C124	20293470	16	B	so	1	PCE	CC 100N0F +80% -20% 50.0V F
C125	20936650	16	B	so	1	PCE	CC 100P0F +10% -10% 50.0V Y5P
C126	20936650	16	B	so	1	PCE	CC 100P0F +10% -10% 50.0V Y5P
C127	20293470	16	B	so	1	PCE	CC 100N0F +80% -20% 50.0V F
C128	20936650	16	B	so	1	PCE	CC 100P0F +10% -10% 50.0V Y5P
C129	20936650	16	B	so	1	PCE	CC 100P0F +10% -10% 50.0V Y5P
C130	20936650	16	B	so	1	PCE	CC 100P0F +10% -10% 50.0V Y5P
C131	20293470	16	B	so	1	PCE	CC 100N0F +80% -20% 50.0V F
C401	20268880	30	B	so	1	PCE	CE 10U0F +20% 50.0V 85C
C402	20268880	30	B	so	1	PCE	CE 10U0F +20% 50.0V 85C
C403	11055300	71	B	so	1	PCE	CC 68P0F +5% -5% 50.0V NP0
C404	11055300	71	B	so	1	PCE	CC 68P0F +5% -5% 50.0V NP0
C405	20269070	30	B	so	1	PCE	CE 100U0F +20% 25.0V 85C
C406	20269070	30	B	so	1	PCE	CE 100U0F +20% 25.0V 85C
C407	20269080	30	B	so	1	PCE	CE 220U0F +20% 10.0V 85C
C408	20269080	30	B	so	1	PCE	CE 220U0F +20% 10.0V 85C
C409	30936070	71	B	so	1	PCE	CC 12P0F +5% -5% 50.0V NP0
C410	30936070	71	B	so	1	PCE	CC 12P0F +5% -5% 50.0V NP0
C411	60439150	71	B	so	1	PCE	CC 33P0F +5% -5% 50.0V NP0
C412	60439150	71	B	so	1	PCE	CC 33P0F +5% -5% 50.0V NP0
C413	20268880	30	B	so	1	PCE	CE 10U0F +20% 50.0V 85C
C414	20268880	30	B	so	1	PCE	CE 10U0F +20% 50.0V 85C
C415	20268880	30	B	so	1	PCE	CE 10U0F +20% 50.0V 85C
C416	20268880	30	B	so	1	PCE	CE 10U0F +20% 50.0V 85C
C417	55179360	71	B	so	1	PCE	CPM 100N0F +10% 63.0V
C418	55179360	71	B	so	1	PCE	CPM 100N0F +10% 63.0V
C419	55179360	71	B	so	1	PCE	CPM 100N0F +10% 63.0V
C420	55179360	71	B	so	1	PCE	CPM 100N0F +10% 63.0V
C431	10364820	71	B	so	1	PCE	CPF 47N0F +10% 100.0V
C432	10364820	71	B	so	1	PCE	CPF 47N0F +10% 100.0V

C433	10364820	71	B	so	1	PCE	CPF 47N0F +10% 100.0V
C483	55095430	71	B	so	1	PCE	CPM 100N0F +10% 250.0V
C484	10364820	71	B	so	1	PCE	CPF 47N0F +10% 100.0V
C489	20268880	30	B	so	1	PCE	CE 10U0F +20% 50.0V 85C
C490	20268880	30	B	so	1	PCE	CE 10U0F +20% 50.0V 85C
C492	20268880	30	B	so	1	PCE	CE 10U0F +20% 50.0V 85C
C494	20268880	30	B	so	1	PCE	CE 10U0F +20% 50.0V 85C
C496	20268880	30	B	so	1	PCE	CE 10U0F +20% 50.0V 85C
C497	20268880	30	B	so	1	PCE	CE 10U0F +20% 50.0V 85C
C498	20268880	30	B	so	1	PCE	CE 10U0F +20% 50.0V 85C
C501	20268880	30	B	so	1	PCE	CE 10U0F +20% 50.0V 85C
C502	11055300	71	B	so	1	PCE	CC 68P0F +5% -5% 50.0V NP0
C503	20269070	30	B	so	1	PCE	CE 100U0F +20% 25.0V 85C
C504	20269080	30	B	so	1	PCE	CE 220U0F +20% 10.0V 85C
C505	30936070	71	B	so	1	PCE	CC 12P0F +5% -5% 50.0V NP0
C506	60439150	71	B	so	1	PCE	CC 33P0F +5% -5% 50.0V NP0
C507	20268880	30	B	so	1	PCE	CE 10U0F +20% 50.0V 85C
C508	20268880	30	B	so	1	PCE	CE 10U0F +20% 50.0V 85C
C509	55179360	71	B	so	1	PCE	CPM 100N0F +10% 63.0V
C510	55179360	71	B	so	1	PCE	CPM 100N0F +10% 63.0V
C551	55179400	71	B	so	1	PCE	CPM 68N0F +5% 63.0V
C552	55179400	71	B	so	1	PCE	CPM 68N0F +5% 63.0V
C553	55179400	71	B	so	1	PCE	CPM 68N0F +5% 63.0V
C554	20252670	30	B	so	1	PCE	CE 470U0F +20% 10.0V 85C
C555	70428520	71	B	so	1	PCE	CC 10N0F +10% -10% 50.0V Y5P
C556	70428520	71	B	so	1	PCE	CC 10N0F +10% -10% 50.0V Y5P
C564	55095430	71	B	so	1	PCE	CPM 100N0F +10% 250.0V
C565	55095430	71	B	so	1	PCE	CPM 100N0F +10% 250.0V
C566	10364820	71	B	so	1	PCE	CPF 47N0F +10% 100.0V
C567	10364820	71	B	so	1	PCE	CPF 47N0F +10% 100.0V
C568	15002130	30	B	so	1	PCE	CE 10U0F +20% 16.0V 85C
C569	40433580	71	B	so	1	PCE	CC 68P0F +10% -10% 50.0V Y5P
C570	40433580	71	B	so	1	PCE	CC 68P0F +10% -10% 50.0V Y5P
C571	40433580	71	B	so	1	PCE	CC 68P0F +10% -10% 50.0V Y5P
D401	70436540	16	B	so	1	PCE	D-SLP 1N4148 100.0V 150E-3A
D402	70436540	16	B	so	1	PCE	D-SLP 1N4148 100.0V 150E-3A
D403	70436540	16	B	so	1	PCE	D-SLP 1N4148 100.0V 150E-3A
D404	70436540	16	B	so	1	PCE	D-SLP 1N4148 100.0V 150E-3A
D405	70436540	16	B	so	1	PCE	D-SLP 1N4148 100.0V 150E-3A
D406	70436540	16	B	so	1	PCE	D-SLP 1N4148 100.0V 150E-3A
D501	70436540	16	B	so	1	PCE	D-SLP 1N4148 100.0V 150E-3A
D502	70436540	16	B	so	1	PCE	D-SLP 1N4148 100.0V 150E-3A
D551	70436540	16	B	so	1	PCE	D-SLP 1N4148 100.0V 150E-3A
D552	70436540	16	B	so	1	PCE	D-SLP 1N4148 100.0V 150E-3A
D553	70436540	16	B	so	1	PCE	D-SLP 1N4148 100.0V 150E-3A
D554	70436540	16	B	so	1	PCE	D-SLP 1N4148 100.0V 150E-3A
D555	70436540	16	B	so	1	PCE	D-SLP 1N4148 100.0V 150E-3A
D556	70436540	16	B	so	1	PCE	D-SLP 1N4148 100.0V 150E-3A
D566	70436540	16	B	so	1	PCE	D-SLP 1N4148 100.0V 150E-3A
D567	70436540	16	B	so	1	PCE	D-SLP 1N4148 100.0V 150E-3A
FH401	55170330	CM	B	so	1	PCE	TERMFUSEHLDR FUSE-HOLDER
FH402	55170330	CM	B	so	1	PCE	TERMFUSEHLDR FUSE-HOLDER
FH403	55170330	CM	B	so	1	PCE	TERMFUSEHLDR FUSE-HOLDER

FH404	55170330	CM	B	so	1	PCE	TERMFUSEHLDR FUSE-HOLDER
FH405	55170330	CM	B	so	1	PCE	TERMFUSEHLDR FUSE-HOLDER
FH406	55170330	CM	B	so	1	PCE	TERMFUSEHLDR FUSE-HOLDER
FH407	55170330	CM	B	so	1	PCE	TERMFUSEHLDR FUSE-HOLDER
FH408	55170330	CM	B	so	1	PCE	TERMFUSEHLDR FUSE-HOLDER
Q401	20556600	56	B	so	1	PCE	TR-SHPLF KTC3200BL N 100MI0A 120V
Q402	20556600	56	B	so	1	PCE	TR-SHPLF KTC3200BL N 100MI0A 120V
Q403	20556600	56	B	so	1	PCE	TR-SHPLF KTC3200BL N 100MI0A 120V
Q404	20556600	56	B	so	1	PCE	TR-SHPLF KTC3200BL N 100MI0A 120V
Q405	20556600	56	B	so	1	PCE	TR-SHPLF KTC3200BL N 100MI0A 120V
Q406	20556600	56	B	so	1	PCE	TR-SHPLF KTC3200BL N 100MI0A 120V
Q407	20508080	56	B	so	1	PCE	TR-SLPLF KTC3198BL N 150MI0A
Q408	20508080	56	B	so	1	PCE	TR-SLPLF KTC3198BL N 150MI0A
Q411	20647850	56	B	so	1	PCE	TR-SHPLF KTA1268BL P 100MI0A 120V
Q412	20647850	56	B	so	1	PCE	TR-SHPLF KTA1268BL P 100MI0A 120V
Q413	20647850	56	B	so	1	PCE	TR-SHPLF KTA1268BL P 100MI0A 120V
Q414	20647850	56	B	so	1	PCE	TR-SHPLF KTA1268BL P 100MI0A 120V
Q415	20556600	56	B	so	1	PCE	TR-SHPLF KTC3200BL N 100MI0A 120V
Q416	20556600	56	B	so	1	PCE	TR-SHPLF KTC3200BL N 100MI0A 120V
Q417	55133260	56	B	so	1	PCE	TR-SLPLF KTA1024 Y P 50MI0A -150V
Q418	55133260	56	B	so	1	PCE	TR-SLPLF KTA1024 Y P 50MI0A -150V
Q419	55133240	56	B	so	1	PCE	TR-SLPLF KTC3206 Y N 50MI0A 150V
Q420	55133240	56	B	so	1	PCE	TR-SLPLF KTC3206 Y N 50MI0A 150V
Q421	55133260	56	B	so	1	PCE	TR-SLPLF KTA1024 Y P 50MI0A -150V
Q422	55133260	56	B	so	1	PCE	TR-SLPLF KTA1024 Y P 50MI0A -150V
Q423	55133240	56	B	so	1	PCE	TR-SLPLF KTC3206 Y N 50MI0A 150V
Q424	55133240	56	B	so	1	PCE	TR-SLPLF KTC3206 Y N 50MI0A 150V
Q427	20556600	56	B	so	1	PCE	TR-SHPLF KTC3200BL N 100MI0A 120V
Q428	20556600	56	B	so	1	PCE	TR-SHPLF KTC3200BL N 100MI0A 120V
Q429	55133240	56	B	so	1	PCE	TR-SLPLF KTC3206 Y N 50MI0A 150V
Q430	55133240	56	B	so	1	PCE	TR-SLPLF KTC3206 Y N 50MI0A 150V
Q431	55133260	56	B	so	1	PCE	TR-SLPLF KTA1024 Y P 50MI0A -150V
Q432	55133260	56	B	so	1	PCE	TR-SLPLF KTA1024 Y P 50MI0A -150V
Q501	20556600	56	B	so	1	PCE	TR-SHPLF KTC3200BL N 100MI0A 120V
Q502	20556600	56	B	so	1	PCE	TR-SHPLF KTC3200BL N 100MI0A 120V
Q503	20556600	56	B	so	1	PCE	TR-SHPLF KTC3200BL N 100MI0A 120V
Q504	20508080	56	B	so	1	PCE	TR-SLPLF KTC3198BL N 150MI0A
Q506	20647850	56	B	so	1	PCE	TR-SHPLF KTA1268BL P 100MI0A 120V
Q507	20647850	56	B	so	1	PCE	TR-SHPLF KTA1268BL P 100MI0A 120V
Q508	20556600	56	B	so	1	PCE	TR-SHPLF KTC3200BL N 100MI0A 120V
Q509	55133260	56	B	so	1	PCE	TR-SLPLF KTA1024 Y P 50MI0A -150V
Q510	55133240	56	B	so	1	PCE	TR-SLPLF KTC3206 Y N 50MI0A 150V
Q511	55133260	56	B	so	1	PCE	TR-SLPLF KTA1024 Y P 50MI0A -150V
Q512	55133240	56	B	so	1	PCE	TR-SLPLF KTC3206 Y N 50MI0A 150V
Q514	20556600	56	B	so	1	PCE	TR-SHPLF KTC3200BL N 100MI0A 120V
Q515	55133240	56	B	so	1	PCE	TR-SLPLF KTC3206 Y N 50MI0A 150V
Q516	55133260	56	B	so	1	PCE	TR-SLPLF KTA1024 Y P 50MI0A -150V
Q551	20556600	56	B	so	1	PCE	TR-SHPLF KTC3200BL N 100MI0A 120V
Q552	20556600	56	B	so	1	PCE	TR-SHPLF KTC3200BL N 100MI0A 120V
Q553	20556600	56	B	so	1	PCE	TR-SHPLF KTC3200BL N 100MI0A 120V
Q554	20508080	56	B	so	1	PCE	TR-SLPLF KTC3198BL N 150MI0A
Q555	20508080	56	B	so	1	PCE	TR-SLPLF KTC3198BL N 150MI0A
Q556	20508080	56	B	so	1	PCE	TR-SLPLF KTC3198BL N 150MI0A

Q557	20508210	56	B	so	1	PCE	TR-SLPLF KTA1266 Y P 150MI0A
Q558	55133260	56	B	so	1	PCE	TR-SLPLF KTA1024 Y P 50MI0A -150V
Q559	55133210	56	B	so	0	PCE	TR-SLPLF DTC114YSA N 100MI0A
Q559	55179230	56	B	so	1	PCE	TR-SLPSWA KRC107M N
Q561	20647850	56	B	so	1	PCE	TR-SHPLF KTA1268BL P 100MI0A 120V
R101	30939510	16	B	so	1	PCE	RCF 100K0 OHM +5% 250MI0W
R102	30939510	16	B	so	1	PCE	RCF 100K0 OHM +5% 250MI0W
R103	90571120	16	B	so	1	PCE	RCF 12K0 OHM +5% 250MI0W
R104	90571120	16	B	so	1	PCE	RCF 12K0 OHM +5% 250MI0W
R105	11059640	16	B	so	1	PCE	RCF 1K0 OHM +5% 250MI0W
R106	11059640	16	B	so	1	PCE	RCF 1K0 OHM +5% 250MI0W
R107	50882950	16	B	so	1	PCE	RCF 100R0 OHM +5% 250MI0W
R108	30939510	16	B	so	1	PCE	RCF 100K0 OHM +5% 250MI0W
R109	30939510	16	B	so	1	PCE	RCF 100K0 OHM +5% 250MI0W
R110	50882950	16	B	so	1	PCE	RCF 100R0 OHM +5% 250MI0W
R111	50882970	16	B	so	1	PCE	RCF 470R0 OHM +5% 250MI0W
R112	20469460	16	B	so	1	PCE	RCF 2K2 OHM +5% 250MI0W
R113	30939510	16	B	so	1	PCE	RCF 100K0 OHM +5% 250MI0W
R114	30939510	16	B	so	1	PCE	RCF 100K0 OHM +5% 250MI0W
R115	50882970	16	B	so	1	PCE	RCF 470R0 OHM +5% 250MI0W
R116	50882970	16	B	so	1	PCE	RCF 470R0 OHM +5% 250MI0W
R117	30939510	16	B	so	1	PCE	RCF 100K0 OHM +5% 250MI0W
R118	30939510	16	B	so	1	PCE	RCF 100K0 OHM +5% 250MI0W
R119	50882970	16	B	so	1	PCE	RCF 470R0 OHM +5% 250MI0W
R120	50882970	16	B	so	1	PCE	RCF 470R0 OHM +5% 250MI0W
R121	50882970	16	B	so	1	PCE	RCF 470R0 OHM +5% 250MI0W
R122	50882970	16	B	so	1	PCE	RCF 470R0 OHM +5% 250MI0W
R123	50882970	16	B	so	1	PCE	RCF 470R0 OHM +5% 250MI0W
R125	50882970	16	B	so	1	PCE	RCF 470R0 OHM +5% 250MI0W
R126	50882970	16	B	so	1	PCE	RCF 470R0 OHM +5% 250MI0W
R127	30939510	16	B	so	1	PCE	RCF 100K0 OHM +5% 250MI0W
R128	30939510	16	B	so	1	PCE	RCF 100K0 OHM +5% 250MI0W
R129	30939510	16	B	so	1	PCE	RCF 100K0 OHM +5% 250MI0W
R130	50882970	16	B	so	1	PCE	RCF 470R0 OHM +5% 250MI0W
R132	30939510	16	B	so	1	PCE	RCF 100K0 OHM +5% 250MI0W
R401	60441550	16	B	so	1	PCE	RCF 330R0 OHM +5% 250MI0W
R402	60441550	16	B	so	1	PCE	RCF 330R0 OHM +5% 250MI0W
R403	90571130	16	B	so	1	PCE	RCF 39K0 OHM +5% 250MI0W
R404	90571130	16	B	so	1	PCE	RCF 39K0 OHM +5% 250MI0W
R405	40435630	16	B	so	1	PCE	RCF 1K5 OHM +5% 250MI0W
R406	40435630	16	B	so	1	PCE	RCF 1K5 OHM +5% 250MI0W
R407	40435630	16	B	so	1	PCE	RCF 1K5 OHM +5% 250MI0W
R408	40435630	16	B	so	1	PCE	RCF 1K5 OHM +5% 250MI0W
R409	20469450	16	B	so	1	PCE	RCF 220R0 OHM +5% 250MI0W
R410	20469450	16	B	so	1	PCE	RCF 220R0 OHM +5% 250MI0W
R411	20469450	16	B	so	1	PCE	RCF 220R0 OHM +5% 250MI0W
R412	20469450	16	B	so	1	PCE	RCF 220R0 OHM +5% 250MI0W
R413	11059610	16	B	so	1	PCE	RCF 270R0 OHM +5% 250MI0W
R414	11059610	16	B	so	1	PCE	RCF 270R0 OHM +5% 250MI0W
R415	20469510	16	B	so	1	PCE	RCF 43K0 OHM +5% 250MI0W
R416	20469510	16	B	so	1	PCE	RCF 43K0 OHM +5% 250MI0W
R417	90571130	16	B	so	1	PCE	RCF 39K0 OHM +5% 250MI0W
R418	90571130	16	B	so	1	PCE	RCF 39K0 OHM +5% 250MI0W

R419	11059660	16	B	so	1	PCE	RCF 2K0 OHM +5% 250MI0W
R420	11059660	16	B	so	1	PCE	RCF 2K0 OHM +5% 250MI0W
R421	60441560	16	B	so	1	PCE	RCF 560R0 OHM +5% 250MI0W
R422	60441560	16	B	so	1	PCE	RCF 560R0 OHM +5% 250MI0W
R423	60441560	16	B	so	1	PCE	RCF 560R0 OHM +5% 250MI0W
R424	60441560	16	B	so	1	PCE	RCF 560R0 OHM +5% 250MI0W
R425	60441560	16	B	so	1	PCE	RCF 560R0 OHM +5% 250MI0W
R426	60441560	16	B	so	1	PCE	RCF 560R0 OHM +5% 250MI0W
R427	60441560	16	B	so	1	PCE	RCF 560R0 OHM +5% 250MI0W
R428	60441560	16	B	so	1	PCE	RCF 560R0 OHM +5% 250MI0W
R429	60441560	16	B	so	1	PCE	RCF 560R0 OHM +5% 250MI0W
R430	60441560	16	B	so	1	PCE	RCF 560R0 OHM +5% 250MI0W
R431	60441560	16	B	so	1	PCE	RCF 560R0 OHM +5% 250MI0W
R432	60441560	16	B	so	1	PCE	RCF 560R0 OHM +5% 250MI0W
R433	50882960	16	B	so	1	PCE	RCF 150R0 OHM +5% 250MI0W
R434	50882960	16	B	so	1	PCE	RCF 150R0 OHM +5% 250MI0W
R435	50882960	16	B	so	1	PCE	RCF 150R0 OHM +5% 250MI0W
R436	50882960	16	B	so	1	PCE	RCF 150R0 OHM +5% 250MI0W
R437	50883010	16	B	so	1	PCE	RCF 15K0 OHM +5% 250MI0W
R438	50883010	16	B	so	1	PCE	RCF 15K0 OHM +5% 250MI0W
R439	50883010	16	B	so	1	PCE	RCF 15K0 OHM +5% 250MI0W
R440	50883010	16	B	so	1	PCE	RCF 15K0 OHM +5% 250MI0W
R441	50882960	16	B	so	1	PCE	RCF 150R0 OHM +5% 250MI0W
R442	50882960	16	B	so	1	PCE	RCF 150R0 OHM +5% 250MI0W
R443	50882960	16	B	so	1	PCE	RCF 150R0 OHM +5% 250MI0W
R444	50882960	16	B	so	1	PCE	RCF 150R0 OHM +5% 250MI0W
R445	55242290	16	B	ud	1	PCE	RCF 10R0 OHM +5% 250MI0W
R446	55242290	16	B	ud	1	PCE	RCF 10R0 OHM +5% 250MI0W
R447	55242290	16	B	ud	1	PCE	RCF 10R0 OHM +5% 250MI0W
R448	55242290	16	B	ud	1	PCE	RCF 10R0 OHM +5% 250MI0W
R449	11059640	16	B	so	1	PCE	RCF 1K0 OHM +5% 250MI0W
R450	11059640	16	B	so	1	PCE	RCF 1K0 OHM +5% 250MI0W
R451	60441560	16	B	so	1	PCE	RCF 560R0 OHM +5% 250MI0W
R452	60441560	16	B	so	1	PCE	RCF 560R0 OHM +5% 250MI0W
R453	40435640	16	B	so	1	PCE	RCF 4K7 OHM +5% 250MI0W
R454	40435640	16	B	so	1	PCE	RCF 4K7 OHM +5% 250MI0W
R455	70430560	16	B	so	1	PCE	RCF 5K6 OHM +5% 250MI0W
R456	70430560	16	B	so	1	PCE	RCF 5K6 OHM +5% 250MI0W
R457	50882950	16	B	so	1	PCE	RCF 100R0 OHM +5% 250MI0W
R458	50882950	16	B	so	1	PCE	RCF 100R0 OHM +5% 250MI0W
R459	50882950	16	B	so	1	PCE	RCF 100R0 OHM +5% 250MI0W
R460	50882950	16	B	so	1	PCE	RCF 100R0 OHM +5% 250MI0W
R461	30939370	16	B	so	1	PCE	RCF 15R0 OHM +5% 250MI0W
R462	30939370	16	B	so	1	PCE	RCF 15R0 OHM +5% 250MI0W
R463	30939370	16	B	so	1	PCE	RCF 15R0 OHM +5% 250MI0W
R464	30939370	16	B	so	1	PCE	RCF 15R0 OHM +5% 250MI0W
R465	40438910	16	B	so	1	PCE	RCF 2R2 OHM +5% 250MI0W
R466	40438910	16	B	so	1	PCE	RCF 2R2 OHM +5% 250MI0W
R467	40438910	16	B	so	1	PCE	RCF 2R2 OHM +5% 250MI0W
R468	40438910	16	B	so	1	PCE	RCF 2R2 OHM +5% 250MI0W
R469	11059590	16	B	so	1	PCE	RCF 82R0 OHM +5% 250MI0W
R470	11059590	16	B	so	1	PCE	RCF 82R0 OHM +5% 250MI0W
R473	55242290	16	B	ud	1	PCE	RCF 10R0 OHM +5% 250MI0W

R474	55242290	16	B	ud	1	PCE	RCF 10R0 OHM +5% 250MI0W
R477	55242290	16	B	ud	1	PCE	RCF 10R0 OHM +5% 250MI0W
R478	55242290	16	B	ud	1	PCE	RCF 10R0 OHM +5% 250MI0W
R489	20469450	16	B	so	1	PCE	RCF 220R0 OHM +5% 250MI0W
R490	11059630	16	B	so	1	PCE	RCF 680R0 OHM +5% 250MI0W
R501	60441550	16	B	so	1	PCE	RCF 330R0 OHM +5% 250MI0W
R502	90571130	16	B	so	1	PCE	RCF 39K0 OHM +5% 250MI0W
R503	40435630	16	B	so	1	PCE	RCF 1K5 OHM +5% 250MI0W
R504	40435630	16	B	so	1	PCE	RCF 1K5 OHM +5% 250MI0W
R505	20469450	16	B	so	1	PCE	RCF 220R0 OHM +5% 250MI0W
R506	20469450	16	B	so	1	PCE	RCF 220R0 OHM +5% 250MI0W
R507	11059610	16	B	so	1	PCE	RCF 270R0 OHM +5% 250MI0W
R508	20469510	16	B	so	1	PCE	RCF 43K0 OHM +5% 250MI0W
R509	90571130	16	B	so	1	PCE	RCF 39K0 OHM +5% 250MI0W
R510	11059660	16	B	so	1	PCE	RCF 2K0 OHM +5% 250MI0W
R511	60441560	16	B	so	1	PCE	RCF 560R0 OHM +5% 250MI0W
R512	60441560	16	B	so	1	PCE	RCF 560R0 OHM +5% 250MI0W
R513	60441560	16	B	so	1	PCE	RCF 560R0 OHM +5% 250MI0W
R514	60441560	16	B	so	1	PCE	RCF 560R0 OHM +5% 250MI0W
R515	60441560	16	B	so	1	PCE	RCF 560R0 OHM +5% 250MI0W
R516	60441560	16	B	so	1	PCE	RCF 560R0 OHM +5% 250MI0W
R517	50882960	16	B	so	1	PCE	RCF 150R0 OHM +5% 250MI0W
R518	50882960	16	B	so	1	PCE	RCF 150R0 OHM +5% 250MI0W
R519	50883010	16	B	so	1	PCE	RCF 15K0 OHM +5% 250MI0W
R520	50883010	16	B	so	1	PCE	RCF 15K0 OHM +5% 250MI0W
R521	50882960	16	B	so	1	PCE	RCF 150R0 OHM +5% 250MI0W
R522	50882960	16	B	so	1	PCE	RCF 150R0 OHM +5% 250MI0W
R523	55242290	16	B	ud	1	PCE	RCF 10R0 OHM +5% 250MI0W
R524	55242290	16	B	ud	1	PCE	RCF 10R0 OHM +5% 250MI0W
R525	11059640	16	B	so	1	PCE	RCF 1K0 OHM +5% 250MI0W
R526	60441560	16	B	so	1	PCE	RCF 560R0 OHM +5% 250MI0W
R527	40435640	16	B	so	1	PCE	RCF 4K7 OHM +5% 250MI0W
R528	70430560	16	B	so	1	PCE	RCF 5K6 OHM +5% 250MI0W
R529	50882950	16	B	so	1	PCE	RCF 100R0 OHM +5% 250MI0W
R530	50882950	16	B	so	1	PCE	RCF 100R0 OHM +5% 250MI0W
R531	30939370	16	B	so	1	PCE	RCF 15R0 OHM +5% 250MI0W
R532	30939370	16	B	so	1	PCE	RCF 15R0 OHM +5% 250MI0W
R533	40438910	16	B	so	1	PCE	RCF 2R2 OHM +5% 250MI0W
R534	40438910	16	B	so	1	PCE	RCF 2R2 OHM +5% 250MI0W
R535	11059590	16	B	so	1	PCE	RCF 82R0 OHM +5% 250MI0W
R537	55242290	16	B	ud	1	PCE	RCF 10R0 OHM +5% 250MI0W
R539	55242290	16	B	ud	1	PCE	RCF 10R0 OHM +5% 250MI0W
R551	40435630	16	B	so	1	PCE	RCF 1K5 OHM +5% 250MI0W
R552	40435630	16	B	so	1	PCE	RCF 1K5 OHM +5% 250MI0W
R553	50883010	16	B	so	1	PCE	RCF 15K0 OHM +5% 250MI0W
R554	50883010	16	B	so	1	PCE	RCF 15K0 OHM +5% 250MI0W
R555	60441580	16	B	so	1	PCE	RCF 22K0 OHM +5% 250MI0W
R556	60441580	16	B	so	1	PCE	RCF 22K0 OHM +5% 250MI0W
R557	40435630	16	B	so	1	PCE	RCF 1K5 OHM +5% 250MI0W
R558	50883010	16	B	so	1	PCE	RCF 15K0 OHM +5% 250MI0W
R559	60441580	16	B	so	1	PCE	RCF 22K0 OHM +5% 250MI0W
R561	70430570	16	B	so	1	PCE	RCF 8K2 OHM +5% 250MI0W
R562	11059710	16	B	so	1	PCE	RCF 56K0 OHM +5% 250MI0W



R563	11059710	16	B	so	1	PCE	RCF 56K0 OHM +5% 250MI0W
R564	11059710	16	B	so	1	PCE	RCF 56K0 OHM +5% 250MI0W
R565	50883010	16	B	so	1	PCE	RCF 15K0 OHM +5% 250MI0W
R566	50882950	16	B	so	1	PCE	RCF 100R0 OHM +5% 250MI0W
R567	30939480	16	B	so	1	PCE	RCF 10K0 OHM +5% 250MI0W
R568	30939480	16	B	so	1	PCE	RCF 10K0 OHM +5% 250MI0W
R569	30939480	16	B	so	1	PCE	RCF 10K0 OHM +5% 250MI0W
R570	11059610	16	B	so	1	PCE	RCF 270R0 OHM +5% 250MI0W
R571	80437030	16	B	so	1	PCE	RCF 27K0 OHM +5% 250MI0W
R585	40435630	16	B	so	1	PCE	RCF 1K5 OHM +5% 250MI0W
R586	40435630	16	B	so	1	PCE	RCF 1K5 OHM +5% 250MI0W
R587	90571130	16	B	so	1	PCE	RCF 39K0 OHM +5% 250MI0W
R588	90571130	16	B	so	1	PCE	RCF 39K0 OHM +5% 250MI0W
R589	40435630	16	B	so	1	PCE	RCF 1K5 OHM +5% 250MI0W
R590	90571130	16	B	so	1	PCE	RCF 39K0 OHM +5% 250MI0W
R591	30939480	16	B	so	1	PCE	RCF 10K0 OHM +5% 250MI0W
R592	90571130	16	B	so	1	PCE	RCF 39K0 OHM +5% 250MI0W
R593	50882970	16	B	so	1	PCE	RCF 470R0 OHM +5% 250MI0W
R594	50882970	16	B	so	1	PCE	RCF 470R0 OHM +5% 250MI0W
R595	50882970	16	B	so	1	PCE	RCF 470R0 OHM +5% 250MI0W

PART NO : 55261800

TITEL : AC MECH BOM AVR5500 HARMAN OEM

Pos	Tocom#	Pkg	M/B	St	Qty	Unit	SName
0050	55170390		B	so	20	PCE	CABLE-FIX WIRE-TIE MELLERMAI NYLON6 0 0
0060	55262270		B	so	1	PCE	AC MSA ASY TU MODULE KST-M9114MA1-30
0070	55262360		M	UD	1	PCE	AC DEC CABINET PANEL FRONT AVR5500
0080	55177740		M	SO	1	PCE	AC DEC KNOB MAIN HIPS 94H
0090	55177750		M	SO	3	PCE	AC DEC KNOB TONE HIPS
0100	55177760		M	SO	1	PCE	AC DEC BUTTON 3 KEY HIPS 9
0110	55177780		M	SO	1	PCE	AC DEC BUTTON 5 KEY
0120	55177790		M	SO	1	PCE	AC DEC BUTTON 7 KEY
0130	55247230		B	ud	1	PCE	AC DEC CRYSTAL DISPLAY AVR5500
0150	55177800		B	ud	1	PCE	AC DEC CRYSTAL FILTER DISPLAY
0160	55191560		B	so	1	PCE	AC NON-METAL DIFFUSER 0.2T 62.5*41 WH
0170	55177990		B	so	1	PCE	AC NON-METAL DIFFUSER 0.2T 59.6*41 WH
0180	55178000	NR	B	so	1	PCE	SWIPUSH POWER SWITCH 5.0A 250.0V 100MIOHM 1T 2P
0200	55177810		M	SO	1	PCE	AC DEC BUTTON POWER HIPS DVD10
0210	55177820		M	SO	1	PCE	AC DEC BUTTON STANDBY
0220	55178020		M	SO	1	PCE	AC MLD BUTTON INDICATOR STAND-BY AVR520
0221	55178030		M	SO	2	PCE	AC MLD BUTTON INDICATOR VIDEO 4 AVR520
0230	55124350		B	so	1	PCE	AC PUN BRACKET HEADPHONE RT2280/RT2250(PAV5007/5005)
0250	55178050		B	ud	1	PCE	AC PUN COVER TOP AVR520 --
0260	5517807A		B	so	1	PCE	AC CPL CABINET CHASSIS MAIN SECC 1.0T AVR520
0261	55178380		B	ud	1	PCE	AC PRI LABEL BARCODE AVR520
0270	55178080		B	ud	1	PCE	AC PUN COVER BOTTOM SECC T1.0 AVR45UL --
0271	55127280		B	so	10	PCE	SCREW-ST 3MM 6MM JIS B 1122 25 0 0
0280	5517809A		B	so	1	PCE	AC PUN COVER TRANS BOTTOM SECC 1.0T AVR520 --
0300	55178110		M	SO	4	PCE	AC FOOT ASSY ROUND 12.5MM 50MM NOT DEFINED Y DIA
0301	55174760		B	so	4	PCE	AC FOOT RUBBER ROUND 3.0MM 25.0MM JIS 60 Y DIA
0310	55178170		B	ud	2	PCE	AC PUN BRACKET FRAME-GUIDE SECC T1.0
0320	55178230		B	ud	2	PCE	AC PUN BRACKET PCB SECC T1.0 AVR520
0340	55178300		B	ud	3	PCE	AC BUFFER CUSHION-BRK'T EVA
0350	55178250		B	ud	1	PCE	AC CPL CABINET CHASSIS FRONT SECC 1.0T AVR520
0370	55191780		B	ud	1	PCE	AC METAL HEATSINK(MAIN) AL6063 AVR520 --
0380	55191790		B	ud	1	PCE	AC METAL HEATSINK(SURR) AL6063 AVR520 --
0390	55255710		B	so	1	PCE	AC PUN BRACKET HEATSINK SECC1.2T AVR520
0400	55127300		B	so	10	PCE	WASHER-SPR 3.0MM 5.0MM 1.0MM Y 53 0 I4
0410	55127310		B	so	10	PCE	WASHER 3.3MM 8.0MM 0.5MM Y 53 0 A4
0420	55163910	NR	B	so	1	PCE	TF-LAM POWER-TRANSFORMER 230V
0430	55188980		B	ud	1	PCE	WIRE-MCRDM 1830MM BK CORD POWER CE
0440	55177880		B	ud	4	PCE	WASHER-SPR 4.0MM 8.0MM 1.0MM GB 53 0 A4
0450	55178390		B	ud	5	PCE	WASHER 4.5MM 12MM 1.0MM 0 A4
0460	55247250		B	ud	1	PCE	AC CPL REAR PANEL AVR5500
0470	55125180		B	so	1	PCE	AC MLD CLAMP AC CORD RT2280/RT2250(PAV5007/PAV5005)
0480	55125220		B	so	11	PCE	AC BUFFER PCB
0490	55178400		B	ud	1	PCE	AC BUFFER CUSHION (A) EVA
0500	55127070		B	so	62	PCE	SCREW-ST 3MM 10MM JIS B 1122 25 0 0
0510	55127120		B	so	31	PCE	SCREW-ST 3MM 8MM JIS B 1122 53 0 0
0511	55164800		B	so	1	PCE	SCREW 3MM 8MM DIN963 00 2182 B7
0520	55178320		B	so	25	PCE	SCREW-ST 3MM 12MM JIS B 1122 53 0 A4
0530	55255900		B	so	4	PCE	SCREW-ST 4MM 10MM SAM 53 0 A4
0540	55135460		B	so	59	PCE	SCREW-SPEC 3MM 10MM JIS 27 0 0

0550	55127090		B	so	8	PCE	SCREW-ST 4MM 8MM JIS B 1122 25 0 0
0560	55178420		B	ud	2	PCE	AC PRI LABEL RISK
0570	55174780		B	so	1	PCE	AC PRI LABEL DATE
0580	55247270		B	ud	1	PCE	AC PRI LABEL SERIAL AVR5500
0590	20253760		B	so	0.1	KG	SOLDER BAR 63SN/37PB BAR
0600	20290240		B	so	0.1	KG	SOLDER ALPHA RELIA. II 60/40 SOLDER WIRE 1.27 MM
0610	55060660		B	so	0.08	L	SOLDER-FLUX GW9810A-5
0620	20457000		B	so	0.08	KG	MAT-ING DOW CORNING 176 CATALYST
0630	20289760		B	so	0.06	L	DILUTION THINNER 4520 100% ALCOHOL
0640	20289870		B	so	0.04	KG	GLUE CEMENDINE 575
0650	20190880		B	so	0.02	KG	WAX ZOPHAR 1340 120 82C YE 0.906
0660	20290210		B	so	0.09	KG	SOLDER RELIACORE II 60/40 SOLDER WIRE 0.63 MM
0670	20289720		B	so	0.08	KG	GLUE THREE BOND 1401C
0680	55039910		B	so	0.07	KG	GLUE HOT MELT
0690	20290110		B	so	0.08	KG	LUBRICANT HYCHEM/TC 609
0700	55178410		B	ud	4	PCE	AC BUFFER CUSHION
0710	55178930		M	SO	1	PCE	AC PLASTIC MOLD REFRACTOR F WH
0720	55178940		M	SO	1	PCE	AC PLASTIC MOLD REFRACTOR E WH
0721	55177960		M	SO	1	PCE	AC NON-METAL DIFFUSER REFLECTOR C WH
0730	55178440		M	SO	1	PCE	AC MLD HOLDER FL-GUIDE HIPS 94HB AVR520
0750	55261080		B	so	10	PCE	AC PLASTIC KNOB CORK SH08M790B0 BK
0760	55262430		B	so	1	PCE	AC PUN BRACKET PROTECT
0770	55184350		B	ud	4	PCE	SHRINK-PREF 50.0MM
0780	55178960		B	so	1	PCE	AC SPRING PLATE SPRING GND C5212 0.2T AVR520
0790	20372500		B	so	5	PCE	WASHER 3.0MM 7.9MM 0.8MM N/A 00 0 0
0800	20932870		B	so	2	PCE	AC PRI LABEL QC CHECK CRKD1217(20 X 13MM)
0810	20564850		B	so	1	M	TAPE-ADH ADHESIVE TAPE ANCHOR 303 0.2MM 12.0MM BK
0820	55273330	NR	B	so	1	PCE	WIRECONASY UNIQUE 2P 500MM UL1617 PVC DOUBLE INSULATED 20 1

PART NO : 55261780

TITEL : AC BOM PKG AVR5500

Pos	Tocom#	Pkg	M/B	St	Qty	Unit	SName
0080	55247310		B	ud	1	PCE	AC CARTON AVR5500
0090	55178720		B	ud	1	PCE	AC PRI LABEL CARD-POST
0100	55178740		B	ud	1	PCE	AC PRI LABEL CARD-WARRANTY PAPE
0120	55178610		B	ud	2	PCE	AC CPL ENDCAP CUSHION POLY 0.024
0140	55178620		B	so	1	PCE	AC PRI LABEL "PLEASE" AVR520
0150	55247290		B	ud	1	PCE	AC PRI LABEL BARCODE AVR5500
0160	55178770		B	so	1	PCE	AC PRI LABEL SAFETY LEAF
0170	55164890		B	so	1	PCE	AC CPL BAG POLY PE T0.05 500MM X 300MM
0180	55170660		B	ud	1	PCE	AC SHEET EPE DVD5 920MM X 1000MM
0190	55247330		B	ud	1	PCE	AC BOOK INSTR AVR5500
0200	55182890	NR	B	so	5	PCE	CONN-SPE JUMPER PLUG 2PIN ABS-NI MA 14MM 2 BK 0 A0
0210	20676090		B	so	1	PCE	AC CPL BAG PE 230MM X 120MM
0220	20194780		B	so	1	PCE	CABLE-FIX CABLE-TIE THE FITMOS PLASTIC 0 0
0230	20357620		B	so	1.5	M	TAPE-ADH ROLL 3M #373 0.06MM 76MM TRA
0240	20194840		B	so	0.5	M	TAPE-ADH ROLL 3M#610 0.11MM 12.7MM --
0250	55262330		B	ud	1	PCE	AC MSA ASY RMC CONTROLER AVR5500
0260	55178550		B	so	1	PCE	AC MSA ASY RMC CONTROLER ZONE AVR520

PART NO : 55182700

TITEL : AC EMBD IMA PROCESS BD AVR520

Pos	Tocom#	Pkg	M/B	St	Qty	Unit	SName
020	55182710		M	SO	1	PCE	AC ESABD IAU PROCESS BD AVR520
030	55188930		X	ud	1	PCE	AC SCHEMATIC PROCESS BD AVR520 OEM
040	20290150		B	so	0.015	KG	SOLDER BAR 52SN/45PB/3SB BAR
041	15481260		B	so	0.015	L	SLDC FLUX LRES FOAM SM32DHT-2
CN408	55125070		B	so	1	PCE	CONN 2.0MM 15 MA R NAT MOLEX 35237-1510 0 0
CN409	55125070		B	so	1	PCE	CONN 2.0MM 15 MA R NAT MOLEX 35237-1510 0 0
CN410	55125070		B	so	1	PCE	CONN 2.0MM 15 MA R NAT MOLEX 35237-1510 0 0
CN411	55125070		B	so	1	PCE	CONN 2.0MM 15 MA R NAT MOLEX 35237-1510 0 0
CP205	55123310		B	so	1	PCE	CONN 2.0MM 4 MA ST NAT LW2002P04 0 0
CP206	55090050		B	so	1	PCE	CONN 2.0MM 10 MA ST NAT LW2002P10 0 0
CP403	55090080		B	so	1	PCE	CONN 2.0MM 3 MA ST NAT LW2002P03 0 0
CP404	55090060		B	so	1	PCE	CONN 2.0MM 7 MA ST NAT LW2002P07 0 0
CP405	55090100		B	so	1	PCE	CONN 2.0MM 12 MA ST NAT LW2002P12 0 0
IC701	55142750	NR	B	so	1	PCE	IC-SWITCH TC9273N-007 DIP28 ANALOG SWITCH
IC702	55142750	NR	B	so	1	PCE	IC-SWITCH TC9273N-007 DIP28 ANALOG SWITCH
JK701	55176350		B	so	1	PCE	CON PHONO SCKT RCA 6P JW-4105RSS W/GNDCAP
JK702	55176330		B	so	1	PCE	CON PHONO SCKT RCA 4P JW4104RS GND
JK703	55176330		B	so	1	PCE	CON PHONO SCKT RCA 4P JW4104RS GND

PART NO : 55182710

TITEL : AC ESABD IAU PROCESS BD AVR520

Pos	Tocom#	Pkg	M/B	St	Qty	Unit	SName
020	55182720		M	SO	1	PCE	AC ESABD SMD PROCESS BD AVR520
021	55179540		B	ud	1	PCE	AC PCB PROCESS AVR520 DUAL LAYERS
C709	10121000	39	B	so	1	PCE	CE 10U0F +20% 16.0V 85C
C710	20267830	30	B	so	1	PCE	CE 47U0F +20% 16.0V 85C
C711	10121000	39	B	so	1	PCE	CE 10U0F +20% 16.0V 85C
C714	10121000	39	B	so	1	PCE	CE 10U0F +20% 16.0V 85C
C715	20267830	30	B	so	1	PCE	CE 47U0F +20% 16.0V 85C
C716	10121000	39	B	so	1	PCE	CE 10U0F +20% 16.0V 85C
C723	10121000	39	B	so	1	PCE	CE 10U0F +20% 16.0V 85C
C724	20267830	30	B	so	1	PCE	CE 47U0F +20% 16.0V 85C
C725	10121000	39	B	so	1	PCE	CE 10U0F +20% 16.0V 85C
C728	10121000	39	B	so	1	PCE	CE 10U0F +20% 16.0V 85C
C729	20267830	30	B	so	1	PCE	CE 47U0F +20% 16.0V 85C
C730	10121000	39	B	so	1	PCE	CE 10U0F +20% 16.0V 85C
C741	10121000	39	B	so	1	PCE	CE 10U0F +20% 16.0V 85C
C742	20267830	30	B	so	1	PCE	CE 47U0F +20% 16.0V 85C
C743	10121000	39	B	so	1	PCE	CE 10U0F +20% 16.0V 85C
C744	10121000	39	B	so	1	PCE	CE 10U0F +20% 16.0V 85C
C745	20267830	30	B	so	1	PCE	CE 47U0F +20% 16.0V 85C
C746	10121000	39	B	so	1	PCE	CE 10U0F +20% 16.0V 85C
C747	10121000	39	B	so	1	PCE	CE 10U0F +20% 16.0V 85C
C749	20267830	30	B	so	1	PCE	CE 47U0F +20% 16.0V 85C
C751	10121000	39	B	so	1	PCE	CE 10U0F +20% 16.0V 85C
C752	10121000	39	B	so	1	PCE	CE 10U0F +20% 16.0V 85C
C754	20267830	30	B	so	1	PCE	CE 47U0F +20% 16.0V 85C



C832	10121000	39	B	so	1	PCE	CE 10U0F +20% 16.0V 85C
C834	20267830	30	B	so	1	PCE	CE 47U0F +20% 16.0V 85C
C836	10121000	39	B	so	1	PCE	CE 10U0F +20% 16.0V 85C
C837	10121000	39	B	so	1	PCE	CE 10U0F +20% 16.0V 85C
C839	20267830	30	B	so	1	PCE	CE 47U0F +20% 16.0V 85C
C841	10121000	39	B	so	1	PCE	CE 10U0F +20% 16.0V 85C
C842	10121000	39	B	so	1	PCE	CE 10U0F +20% 16.0V 85C
C844	20267830	30	B	so	1	PCE	CE 47U0F +20% 16.0V 85C
C846	10121000	39	B	so	1	PCE	CE 10U0F +20% 16.0V 85C
C847	10121000	39	B	so	1	PCE	CE 10U0F +20% 16.0V 85C
C849	20267830	30	B	so	1	PCE	CE 47U0F +20% 16.0V 85C
C851	10121000	39	B	so	1	PCE	CE 10U0F +20% 16.0V 85C
C852	10121000	39	B	so	1	PCE	CE 10U0F +20% 16.0V 85C
C854	20267830	30	B	so	1	PCE	CE 47U0F +20% 16.0V 85C
C856	10121000	39	B	so	1	PCE	CE 10U0F +20% 16.0V 85C
C857	10121000	39	B	so	1	PCE	CE 10U0F +20% 16.0V 85C
C859	20267830	30	B	so	1	PCE	CE 47U0F +20% 16.0V 85C
C861	20269110	30	B	so	1	PCE	CE 330U0F +20% 6.3V 85C
C862	10121000	39	B	so	1	PCE	CE 10U0F +20% 16.0V 85C
C864	20267830	30	B	so	1	PCE	CE 47U0F +20% 16.0V 85C
C866	20269110	30	B	so	1	PCE	CE 330U0F +20% 6.3V 85C
C867	20267830	30	B	so	1	PCE	CE 47U0F +20% 16.0V 85C
Q732	55112030	56	B	so	1	PCE	TR-M FET RA/TAD 2SK117Y N 300MI0W 14MI0A

**PART NO** : 55182720

**TITEL** : AC ESABD SMD PROCESS BD AVR520

Pos	Tocom#	Pkg	M/B	St	Qty	Unit	SName
C701	11058670	91	B	so	1	PCE	CCCFMIN 100P0F +5% -5% 50.0V NP0
C702	11058670	91	B	so	1	PCE	CCCFMIN 100P0F +5% -5% 50.0V NP0
C703	11058670	91	B	so	1	PCE	CCCFMIN 100P0F +5% -5% 50.0V NP0
C704	11058670	91	B	so	1	PCE	CCCFMIN 100P0F +5% -5% 50.0V NP0
C705	11058670	91	B	so	1	PCE	CCCFMIN 100P0F +5% -5% 50.0V NP0
C706	11058670	91	B	so	1	PCE	CCCFMIN 100P0F +5% -5% 50.0V NP0
C707	11058670	91	B	so	1	PCE	CCCFMIN 100P0F +5% -5% 50.0V NP0
C708	11058670	91	B	so	1	PCE	CCCFMIN 100P0F +5% -5% 50.0V NP0
C712	11058670	91	B	so	1	PCE	CCCFMIN 100P0F +5% -5% 50.0V NP0
C713	11058670	91	B	so	1	PCE	CCCFMIN 100P0F +5% -5% 50.0V NP0
C717	11058670	91	B	so	1	PCE	CCCFMIN 100P0F +5% -5% 50.0V NP0
C718	11058670	91	B	so	1	PCE	CCCFMIN 100P0F +5% -5% 50.0V NP0
C719	11058670	91	B	so	1	PCE	CCCFMIN 100P0F +5% -5% 50.0V NP0
C720	11058670	91	B	so	1	PCE	CCCFMIN 100P0F +5% -5% 50.0V NP0
C721	11058670	91	B	so	1	PCE	CCCFMIN 100P0F +5% -5% 50.0V NP0
C722	11058670	91	B	so	1	PCE	CCCFMIN 100P0F +5% -5% 50.0V NP0
C726	11058670	91	B	so	1	PCE	CCCFMIN 100P0F +5% -5% 50.0V NP0
C727	11058670	91	B	so	1	PCE	CCCFMIN 100P0F +5% -5% 50.0V NP0
C731	11058670	91	B	so	1	PCE	CCCFMIN 100P0F +5% -5% 50.0V NP0
C732	11058670	91	B	so	1	PCE	CCCFMIN 100P0F +5% -5% 50.0V NP0
C733	11058670	91	B	so	1	PCE	CCCFMIN 100P0F +5% -5% 50.0V NP0
C734	11058670	91	B	so	1	PCE	CCCFMIN 100P0F +5% -5% 50.0V NP0
C735	11058670	91	B	so	1	PCE	CCCFMIN 100P0F +5% -5% 50.0V NP0
C736	11058670	91	B	so	1	PCE	CCCFMIN 100P0F +5% -5% 50.0V NP0

C737	11058670	91	B	so	1	PCE	CCCFMIN 100P0F +5% -5% 50.0V NP0
C738	11058670	91	B	so	1	PCE	CCCFMIN 100P0F +5% -5% 50.0V NP0
C739	11058670	91	B	so	1	PCE	CCCFMIN 100P0F +5% -5% 50.0V NP0
C740	11058670	91	B	so	1	PCE	CCCFMIN 100P0F +5% -5% 50.0V NP0
C750	50882360	91	B	so	1	PCE	CCCFMIN 33P0F +5% -5% 50.0V NP0
C755	50882360	91	B	so	1	PCE	CCCFMIN 33P0F +5% -5% 50.0V NP0
C759	11058670	91	B	so	1	PCE	CCCFMIN 100P0F +5% -5% 50.0V NP0
C762	11058670	91	B	so	1	PCE	CCCFMIN 100P0F +5% -5% 50.0V NP0
C763	11058670	91	B	so	1	PCE	CCCFMIN 100P0F +5% -5% 50.0V NP0
C767	11058670	91	B	so	1	PCE	CCCFMIN 100P0F +5% -5% 50.0V NP0
C772	11058670	91	B	so	1	PCE	CCCFMIN 100P0F +5% -5% 50.0V NP0
C775	11058670	91	B	so	1	PCE	CCCFMIN 100P0F +5% -5% 50.0V NP0
C793	11059330	91	B	so	1	PCE	CCCFMIN 2N2F +10% -10% 50.0V X7R
C794	11059330	91	B	so	1	PCE	CCCFMIN 2N2F +10% -10% 50.0V X7R
C812	50882360	91	B	so	1	PCE	CCCFMIN 33P0F +5% -5% 50.0V NP0
C817	50882360	91	B	so	1	PCE	CCCFMIN 33P0F +5% -5% 50.0V NP0
C820	11058670	91	B	so	1	PCE	CCCFMIN 100P0F +5% -5% 50.0V NP0
C824	11058670	91	B	so	1	PCE	CCCFMIN 100P0F +5% -5% 50.0V NP0
C828	11058670	91	B	so	1	PCE	CCCFMIN 100P0F +5% -5% 50.0V NP0
C830	50882360	91	B	so	1	PCE	CCCFMIN 33P0F +5% -5% 50.0V NP0
C833	11058670	91	B	so	1	PCE	CCCFMIN 100P0F +5% -5% 50.0V NP0
C835	50882360	91	B	so	1	PCE	CCCFMIN 33P0F +5% -5% 50.0V NP0
C840	50882360	91	B	so	1	PCE	CCCFMIN 33P0F +5% -5% 50.0V NP0
C845	50882360	91	B	so	1	PCE	CCCFMIN 33P0F +5% -5% 50.0V NP0
C848	11058670	91	B	so	1	PCE	CCCFMIN 100P0F +5% -5% 50.0V NP0
C850	11059330	91	B	so	1	PCE	CCCFMIN 2N2F +10% -10% 50.0V X7R
C855	50882360	91	B	so	1	PCE	CCCFMIN 33P0F +5% -5% 50.0V NP0
C858	80436820	91	B	so	1	PCE	CCCFMIN 680P0F +10% -10% 50.0V X7R
C860	80436820	91	B	so	1	PCE	CCCFMIN 680P0F +10% -10% 50.0V X7R
C863	80436820	91	B	so	1	PCE	CCCFMIN 680P0F +10% -10% 50.0V X7R
C865	80436820	91	B	so	1	PCE	CCCFMIN 680P0F +10% -10% 50.0V X7R
C868	11058670	91	B	so	1	PCE	CCCFMIN 100P0F +5% -5% 50.0V NP0
C869	11058670	91	B	so	1	PCE	CCCFMIN 100P0F +5% -5% 50.0V NP0
C870	11058670	91	B	so	1	PCE	CCCFMIN 100P0F +5% -5% 50.0V NP0
C871	11058670	91	B	so	1	PCE	CCCFMIN 100P0F +5% -5% 50.0V NP0
IC703	55142720	NR	B	so	1	PCE	IC-LOWFREQ KIC9459F SOP24 TONE/VOL/BAL/MUTE
IC704	55142710	NR	B	so	1	PCE	IC-SWITCH KIC9162AF ANALOG SWITCH
IC705	55142680	NR	B	so	1	PCE	IC-SWITCH KIC9163AF ANALOG SWITCH
IC706	55179480	NR	B	so	1	PCE	IC-LOWFREQ TC9482F SOP28 TONE/VOL/BAL/MUTE
IC707	55142610	NR	B	so	1	PCE	IC-OPERAMP NJM2068M DUAL OP
IC708	55142610	NR	B	so	1	PCE	IC-OPERAMP NJM2068M DUAL OP
IC709	55142610	NR	B	so	1	PCE	IC-OPERAMP NJM2068M DUAL OP
IC710	55142610	NR	B	so	1	PCE	IC-OPERAMP NJM2068M DUAL OP
IC711	55142610	NR	B	so	1	PCE	IC-OPERAMP NJM2068M DUAL OP
IC712	55142610	NR	B	so	1	PCE	IC-OPERAMP NJM2068M DUAL OP
IC713	55142610	NR	B	so	1	PCE	IC-OPERAMP NJM2068M DUAL OP
IC714	55142610	NR	B	so	1	PCE	IC-OPERAMP NJM2068M DUAL OP
IC715	55142610	NR	B	so	1	PCE	IC-OPERAMP NJM2068M DUAL OP
IC716	55142610	NR	B	so	1	PCE	IC-OPERAMP NJM2068M DUAL OP
IC717	55142610	NR	B	so	1	PCE	IC-OPERAMP NJM2068M DUAL OP
IC718	55142610	NR	B	so	1	PCE	IC-OPERAMP NJM2068M DUAL OP
IC719	55164460	NR	B	so	1	PCE	IC-OPERAMP NJM4556AM DUAL OP
IC720	55142610	NR	B	so	1	PCE	IC-OPERAMP NJM2068M DUAL OP



IC721	55142610	NR	B	so	1	PCE	IC-OPERAMP NJM2068M DUAL OP
IC722	55142610	NR	B	so	1	PCE	IC-OPERAMP NJM2068M DUAL OP
Q701	55138710	92	B	so	1	PCE	TR-SLPSWA KTD1304 N 20V 300MI0A
Q702	55138710	92	B	so	1	PCE	TR-SLPSWA KTD1304 N 20V 300MI0A
Q703	55051260	92	B	so	0	PCE	TR-SSD KRA107S P 10K0 OHM 47K0 OHM
Q703	55133190	92	B	so	1	PCE	TR-SSD DTA114YKA P 10K0 OHM 47K0 OHM
Q704	55138710	92	B	so	1	PCE	TR-SLPSWA KTD1304 N 20V 300MI0A
Q705	55138710	92	B	so	1	PCE	TR-SLPSWA KTD1304 N 20V 300MI0A
Q706	55051260	92	B	so	0	PCE	TR-SSD KRA107S P 10K0 OHM 47K0 OHM
Q706	55133190	92	B	so	1	PCE	TR-SSD DTA114YKA P 10K0 OHM 47K0 OHM
Q707	55051260	92	B	so	0	PCE	TR-SSD KRA107S P 10K0 OHM 47K0 OHM
Q707	55133190	92	B	so	1	PCE	TR-SSD DTA114YKA P 10K0 OHM 47K0 OHM
Q708	55138710	92	B	so	1	PCE	TR-SLPSWA KTD1304 N 20V 300MI0A
Q709	55138710	92	B	so	1	PCE	TR-SLPSWA KTD1304 N 20V 300MI0A
Q710	55138710	92	B	so	1	PCE	TR-SLPSWA KTD1304 N 20V 300MI0A
Q711	55138710	92	B	so	1	PCE	TR-SLPSWA KTD1304 N 20V 300MI0A
Q712	55051260	92	B	so	0	PCE	TR-SSD KRA107S P 10K0 OHM 47K0 OHM
Q712	55133190	92	B	so	1	PCE	TR-SSD DTA114YKA P 10K0 OHM 47K0 OHM
Q713	55138710	92	B	so	1	PCE	TR-SLPSWA KTD1304 N 20V 300MI0A
Q714	55138710	92	B	so	1	PCE	TR-SLPSWA KTD1304 N 20V 300MI0A
Q715	55051260	92	B	so	0	PCE	TR-SSD KRA107S P 10K0 OHM 47K0 OHM
Q715	55133190	92	B	so	1	PCE	TR-SSD DTA114YKA P 10K0 OHM 47K0 OHM
Q716	55138710	92	B	so	1	PCE	TR-SLPSWA KTD1304 N 20V 300MI0A
Q717	55138710	92	B	so	1	PCE	TR-SLPSWA KTD1304 N 20V 300MI0A
Q718	55051260	92	B	so	0	PCE	TR-SSD KRA107S P 10K0 OHM 47K0 OHM
Q718	55133190	92	B	so	1	PCE	TR-SSD DTA114YKA P 10K0 OHM 47K0 OHM
Q719	55138710	92	B	so	1	PCE	TR-SLPSWA KTD1304 N 20V 300MI0A
Q720	55138710	92	B	so	1	PCE	TR-SLPSWA KTD1304 N 20V 300MI0A
Q721	55051260	92	B	so	0	PCE	TR-SSD KRA107S P 10K0 OHM 47K0 OHM
Q721	55133190	92	B	so	1	PCE	TR-SSD DTA114YKA P 10K0 OHM 47K0 OHM
Q722	55138710	92	B	so	1	PCE	TR-SLPSWA KTD1304 N 20V 300MI0A
Q723	55138710	92	B	so	1	PCE	TR-SLPSWA KTD1304 N 20V 300MI0A
Q724	55051260	92	B	so	0	PCE	TR-SSD KRA107S P 10K0 OHM 47K0 OHM
Q724	55133190	92	B	so	1	PCE	TR-SSD DTA114YKA P 10K0 OHM 47K0 OHM
Q725	55051260	92	B	so	0	PCE	TR-SSD KRA107S P 10K0 OHM 47K0 OHM
Q725	55133190	92	B	so	1	PCE	TR-SSD DTA114YKA P 10K0 OHM 47K0 OHM
Q727	55138710	92	B	so	1	PCE	TR-SLPSWA KTD1304 N 20V 300MI0A
Q729	55138710	92	B	so	1	PCE	TR-SLPSWA KTD1304 N 20V 300MI0A
Q730	55051260	92	B	so	0	PCE	TR-SSD KRA107S P 10K0 OHM 47K0 OHM
Q730	55133190	92	B	so	1	PCE	TR-SSD DTA114YKA P 10K0 OHM 47K0 OHM
Q731	55051240	92	B	so	0	PCE	TR-SSD KRC107S N 10K0 OHM 47K0 OHM
Q731	55133180	92	B	so	1	PCE	TR-SSD DTC114YKA N 10K0 OHM 47K0 OHM
Q733	55051260	92	B	so	0	PCE	TR-SSD KRA107S P 10K0 OHM 47K0 OHM
Q733	55133190	92	B	so	1	PCE	TR-SSD DTA114YKA P 10K0 OHM 47K0 OHM
Q734	55051240	92	B	so	0	PCE	TR-SSD KRC107S N 10K0 OHM 47K0 OHM
Q734	55133180	92	B	so	1	PCE	TR-SSD DTC114YKA N 10K0 OHM 47K0 OHM
Q735	55051260	92	B	so	0	PCE	TR-SSD KRA107S P 10K0 OHM 47K0 OHM
Q735	55133190	92	B	so	1	PCE	TR-SSD DTA114YKA P 10K0 OHM 47K0 OHM
Q736	55051260	92	B	so	0	PCE	TR-SSD KRA107S P 10K0 OHM 47K0 OHM
Q736	55133190	92	B	so	1	PCE	TR-SSD DTA114YKA P 10K0 OHM 47K0 OHM
R701	90574400	91	B	so	1	PCE	RMGCFMIN 470R0 OHM +5% 100MI0W
R702	40438350	91	B	so	1	PCE	RMGCFMIN 470K0 OHM +5% 100MI0W
R703	90574400	91	B	so	1	PCE	RMGCFMIN 470R0 OHM +5% 100MI0W

R704	40438350	91	B	so	1	PCE	RMGCFMIN 470K0 OHM +5% 100MIOW
R705	90574400	91	B	so	1	PCE	RMGCFMIN 470R0 OHM +5% 100MIOW
R706	40438350	91	B	so	1	PCE	RMGCFMIN 470K0 OHM +5% 100MIOW
R707	90574400	91	B	so	1	PCE	RMGCFMIN 470R0 OHM +5% 100MIOW
R708	40438350	91	B	so	1	PCE	RMGCFMIN 470K0 OHM +5% 100MIOW
R709	70434200	91	B	so	1	PCE	RMGCFMIN 100R0 OHM +5% 100MIOW
R710	90574400	91	B	so	1	PCE	RMGCFMIN 470R0 OHM +5% 100MIOW
R711	20472020	91	B	so	1	PCE	RMGCFMIN 180K0 OHM +5% 100MIOW
R712	50886630	91	B	so	1	PCE	RMGCFMIN 100K0 OHM +5% 100MIOW
R713	20471950	91	B	so	1	PCE	RMGCFMIN 1K0 OHM +5% 100MIOW
R714	90574400	91	B	so	1	PCE	RMGCFMIN 470R0 OHM +5% 100MIOW
R715	20472020	91	B	so	1	PCE	RMGCFMIN 180K0 OHM +5% 100MIOW
R716	50886630	91	B	so	1	PCE	RMGCFMIN 100K0 OHM +5% 100MIOW
R717	20471950	91	B	so	1	PCE	RMGCFMIN 1K0 OHM +5% 100MIOW
R718	70434200	91	B	so	1	PCE	RMGCFMIN 100R0 OHM +5% 100MIOW
R719	80440390	91	B	so	1	PCE	RMGCFMIN 2K2 OHM +5% 100MIOW
R720	80440390	91	B	so	1	PCE	RMGCFMIN 2K2 OHM +5% 100MIOW
R721	90574400	91	B	so	1	PCE	RMGCFMIN 470R0 OHM +5% 100MIOW
R722	40438350	91	B	so	1	PCE	RMGCFMIN 470K0 OHM +5% 100MIOW
R723	90574400	91	B	so	1	PCE	RMGCFMIN 470R0 OHM +5% 100MIOW
R724	40438350	91	B	so	1	PCE	RMGCFMIN 470K0 OHM +5% 100MIOW
R725	80440390	91	B	so	1	PCE	RMGCFMIN 2K2 OHM +5% 100MIOW
R726	80440390	91	B	so	1	PCE	RMGCFMIN 2K2 OHM +5% 100MIOW
R727	70434200	91	B	so	1	PCE	RMGCFMIN 100R0 OHM +5% 100MIOW
R728	90574400	91	B	so	1	PCE	RMGCFMIN 470R0 OHM +5% 100MIOW
R729	20472020	91	B	so	1	PCE	RMGCFMIN 180K0 OHM +5% 100MIOW
R730	50886630	91	B	so	1	PCE	RMGCFMIN 100K0 OHM +5% 100MIOW
R731	20471950	91	B	so	1	PCE	RMGCFMIN 1K0 OHM +5% 100MIOW
R732	90574400	91	B	so	1	PCE	RMGCFMIN 470R0 OHM +5% 100MIOW
R733	20472020	91	B	so	1	PCE	RMGCFMIN 180K0 OHM +5% 100MIOW
R734	50886630	91	B	so	1	PCE	RMGCFMIN 100K0 OHM +5% 100MIOW
R735	20471950	91	B	so	1	PCE	RMGCFMIN 1K0 OHM +5% 100MIOW
R736	70434200	91	B	so	1	PCE	RMGCFMIN 100R0 OHM +5% 100MIOW
R737	90574400	91	B	so	1	PCE	RMGCFMIN 470R0 OHM +5% 100MIOW
R738	40438350	91	B	so	1	PCE	RMGCFMIN 470K0 OHM +5% 100MIOW
R739	90574400	91	B	so	1	PCE	RMGCFMIN 470R0 OHM +5% 100MIOW
R740	40438350	91	B	so	1	PCE	RMGCFMIN 470K0 OHM +5% 100MIOW
R741	90574400	91	B	so	1	PCE	RMGCFMIN 470R0 OHM +5% 100MIOW
R742	40438350	91	B	so	1	PCE	RMGCFMIN 470K0 OHM +5% 100MIOW
R743	90574400	91	B	so	1	PCE	RMGCFMIN 470R0 OHM +5% 100MIOW
R744	40438350	91	B	so	1	PCE	RMGCFMIN 470K0 OHM +5% 100MIOW
R745	70434200	91	B	so	1	PCE	RMGCFMIN 100R0 OHM +5% 100MIOW
R746	90574400	91	B	so	1	PCE	RMGCFMIN 470R0 OHM +5% 100MIOW
R747	11066480	91	B	so	1	PCE	RMGCFMIN 47K0 OHM +5% 100MIOW
R748	50886630	91	B	so	1	PCE	RMGCFMIN 100K0 OHM +5% 100MIOW
R749	90574400	91	B	so	1	PCE	RMGCFMIN 470R0 OHM +5% 100MIOW
R750	11066480	91	B	so	1	PCE	RMGCFMIN 47K0 OHM +5% 100MIOW
R751	50886630	91	B	so	1	PCE	RMGCFMIN 100K0 OHM +5% 100MIOW
R752	70434200	91	B	so	1	PCE	RMGCFMIN 100R0 OHM +5% 100MIOW
R753	70434200	91	B	so	1	PCE	RMGCFMIN 100R0 OHM +5% 100MIOW
R754	90574400	91	B	so	1	PCE	RMGCFMIN 470R0 OHM +5% 100MIOW
R756	50886630	91	B	so	1	PCE	RMGCFMIN 100K0 OHM +5% 100MIOW
R757	20471950	91	B	so	1	PCE	RMGCFMIN 1K0 OHM +5% 100MIOW

R758	50886600	91	B	so	1	PCE	RMGCFMIN 5K1 OHM +5% 100MIOW
R759	50886630	91	B	so	1	PCE	RMGCFMIN 100K0 OHM +5% 100MIOW
R760	90574400	91	B	so	1	PCE	RMGCFMIN 470R0 OHM +5% 100MIOW
R761	50886630	91	B	so	1	PCE	RMGCFMIN 100K0 OHM +5% 100MIOW
R762	20471950	91	B	so	1	PCE	RMGCFMIN 1K0 OHM +5% 100MIOW
R763	50886600	91	B	so	1	PCE	RMGCFMIN 5K1 OHM +5% 100MIOW
R764	50886630	91	B	so	1	PCE	RMGCFMIN 100K0 OHM +5% 100MIOW
R765	70434200	91	B	so	1	PCE	RMGCFMIN 100R0 OHM +5% 100MIOW
R766	80440390	91	B	so	1	PCE	RMGCFMIN 2K2 OHM +5% 100MIOW
R767	80440390	91	B	so	1	PCE	RMGCFMIN 2K2 OHM +5% 100MIOW
R768	20471950	91	B	so	1	PCE	RMGCFMIN 1K0 OHM +5% 100MIOW
R769	20471950	91	B	so	1	PCE	RMGCFMIN 1K0 OHM +5% 100MIOW
R770	70434200	91	B	so	1	PCE	RMGCFMIN 100R0 OHM +5% 100MIOW
R771	90574400	91	B	so	1	PCE	RMGCFMIN 470R0 OHM +5% 100MIOW
R772	40438350	91	B	so	1	PCE	RMGCFMIN 470K0 OHM +5% 100MIOW
R773	50886630	91	B	so	1	PCE	RMGCFMIN 100K0 OHM +5% 100MIOW
R774	90574400	91	B	so	1	PCE	RMGCFMIN 470R0 OHM +5% 100MIOW
R775	40438350	91	B	so	1	PCE	RMGCFMIN 470K0 OHM +5% 100MIOW
R776	50886630	91	B	so	1	PCE	RMGCFMIN 100K0 OHM +5% 100MIOW
R778	70434200	91	B	so	1	PCE	RMGCFMIN 100R0 OHM +5% 100MIOW
R779	80440390	91	B	so	1	PCE	RMGCFMIN 2K2 OHM +5% 100MIOW
R780	80440390	91	B	so	1	PCE	RMGCFMIN 2K2 OHM +5% 100MIOW
R781	70434200	91	B	so	1	PCE	RMGCFMIN 100R0 OHM +5% 100MIOW
R782	70434200	91	B	so	1	PCE	RMGCFMIN 100R0 OHM +5% 100MIOW
R783	20471950	91	B	so	1	PCE	RMGCFMIN 1K0 OHM +5% 100MIOW
R784	20471950	91	B	so	1	PCE	RMGCFMIN 1K0 OHM +5% 100MIOW
R785	20471950	91	B	so	1	PCE	RMGCFMIN 1K0 OHM +5% 100MIOW
R786	20471950	91	B	so	1	PCE	RMGCFMIN 1K0 OHM +5% 100MIOW
R787	20471950	91	B	so	1	PCE	RMGCFMIN 1K0 OHM +5% 100MIOW
R788	20471950	91	B	so	1	PCE	RMGCFMIN 1K0 OHM +5% 100MIOW
R789	70434200	91	B	so	1	PCE	RMGCFMIN 100R0 OHM +5% 100MIOW
R790	70434200	91	B	so	1	PCE	RMGCFMIN 100R0 OHM +5% 100MIOW
R791	70434200	91	B	so	1	PCE	RMGCFMIN 100R0 OHM +5% 100MIOW
R792	70434200	91	B	so	1	PCE	RMGCFMIN 100R0 OHM +5% 100MIOW
R793	20471950	91	B	so	1	PCE	RMGCFMIN 1K0 OHM +5% 100MIOW
R794	20471950	91	B	so	1	PCE	RMGCFMIN 1K0 OHM +5% 100MIOW
R795	20471950	91	B	so	1	PCE	RMGCFMIN 1K0 OHM +5% 100MIOW
R796	20471950	91	B	so	1	PCE	RMGCFMIN 1K0 OHM +5% 100MIOW
R797	20471950	91	B	so	1	PCE	RMGCFMIN 1K0 OHM +5% 100MIOW
R798	20471950	91	B	so	1	PCE	RMGCFMIN 1K0 OHM +5% 100MIOW
R799	70434200	91	B	so	1	PCE	RMGCFMIN 100R0 OHM +5% 100MIOW
R800	70434200	91	B	so	1	PCE	RMGCFMIN 100R0 OHM +5% 100MIOW
R801	70434200	91	B	so	1	PCE	RMGCFMIN 100R0 OHM +5% 100MIOW
R802	70434200	91	B	so	1	PCE	RMGCFMIN 100R0 OHM +5% 100MIOW
R803	20471950	91	B	so	1	PCE	RMGCFMIN 1K0 OHM +5% 100MIOW
R804	20471950	91	B	so	1	PCE	RMGCFMIN 1K0 OHM +5% 100MIOW
R805	20471950	91	B	so	1	PCE	RMGCFMIN 1K0 OHM +5% 100MIOW
R806	70434200	91	B	so	1	PCE	RMGCFMIN 100R0 OHM +5% 100MIOW
R807	70434200	91	B	so	1	PCE	RMGCFMIN 100R0 OHM +5% 100MIOW
R808	20471950	91	B	so	1	PCE	RMGCFMIN 1K0 OHM +5% 100MIOW
R809	20471950	91	B	so	1	PCE	RMGCFMIN 1K0 OHM +5% 100MIOW
R810	20471950	91	B	so	1	PCE	RMGCFMIN 1K0 OHM +5% 100MIOW
R811	70434200	91	B	so	1	PCE	RMGCFMIN 100R0 OHM +5% 100MIOW

R812	90574400	91	B	so	1	PCE	RMGCFMIN 470R0 OHM +5% 100MIOW
R813	20472020	91	B	so	1	PCE	RMGCFMIN 180K0 OHM +5% 100MIOW
R814	50886630	91	B	so	1	PCE	RMGCFMIN 100K0 OHM +5% 100MIOW
R815	20471950	91	B	so	1	PCE	RMGCFMIN 1K0 OHM +5% 100MIOW
R816	90574400	91	B	so	1	PCE	RMGCFMIN 470R0 OHM +5% 100MIOW
R817	20472020	91	B	so	1	PCE	RMGCFMIN 180K0 OHM +5% 100MIOW
R818	50886630	91	B	so	1	PCE	RMGCFMIN 100K0 OHM +5% 100MIOW
R819	20471950	91	B	so	1	PCE	RMGCFMIN 1K0 OHM +5% 100MIOW
R820	70434200	91	B	so	1	PCE	RMGCFMIN 100R0 OHM +5% 100MIOW
R821	80440390	91	B	so	1	PCE	RMGCFMIN 2K2 OHM +5% 100MIOW
R822	80440390	91	B	so	1	PCE	RMGCFMIN 2K2 OHM +5% 100MIOW
R823	30944340	91	B	so	1	PCE	RMGCFMIN 27K0 OHM +5% 100MIOW
R830	11066480	91	B	so	1	PCE	RMGCFMIN 47K0 OHM +5% 100MIOW
R831	90574400	91	B	so	1	PCE	RMGCFMIN 470R0 OHM +5% 100MIOW
R832	50886630	91	B	so	1	PCE	RMGCFMIN 100K0 OHM +5% 100MIOW
R833	80440390	91	B	so	1	PCE	RMGCFMIN 2K2 OHM +5% 100MIOW
R834	80440400	91	B	so	1	PCE	RMGCFMIN 5K6 OHM +5% 100MIOW
R835	50886630	91	B	so	1	PCE	RMGCFMIN 100K0 OHM +5% 100MIOW
R836	70434200	91	B	so	1	PCE	RMGCFMIN 100R0 OHM +5% 100MIOW
R837	70434200	91	B	so	1	PCE	RMGCFMIN 100R0 OHM +5% 100MIOW
R838	80440480	91	B	so	1	PCE	RMGCFMIN 3M3 OHM +5% 100MIOW
R839	70434200	91	B	so	1	PCE	RMGCFMIN 100R0 OHM +5% 100MIOW
R840	70434200	91	B	so	1	PCE	RMGCFMIN 100R0 OHM +5% 100MIOW
R841	50886630	91	B	so	1	PCE	RMGCFMIN 100K0 OHM +5% 100MIOW
R842	20471990	91	B	so	1	PCE	RMGCFMIN 12K0 OHM +5% 100MIOW
R843	20471990	91	B	so	1	PCE	RMGCFMIN 12K0 OHM +5% 100MIOW
R844	20471990	91	B	so	1	PCE	RMGCFMIN 12K0 OHM +5% 100MIOW
R845	11066440	91	B	so	1	PCE	RMGCFMIN 3K3 OHM +5% 100MIOW
R846	11066440	91	B	so	1	PCE	RMGCFMIN 3K3 OHM +5% 100MIOW
R847	50886630	91	B	so	1	PCE	RMGCFMIN 100K0 OHM +5% 100MIOW
R848	20471990	91	B	so	1	PCE	RMGCFMIN 12K0 OHM +5% 100MIOW
R849	20471990	91	B	so	1	PCE	RMGCFMIN 12K0 OHM +5% 100MIOW
R850	20471990	91	B	so	1	PCE	RMGCFMIN 12K0 OHM +5% 100MIOW
R851	11066440	91	B	so	1	PCE	RMGCFMIN 3K3 OHM +5% 100MIOW
R852	11066440	91	B	so	1	PCE	RMGCFMIN 3K3 OHM +5% 100MIOW
R853	50886630	91	B	so	1	PCE	RMGCFMIN 100K0 OHM +5% 100MIOW
R854	80440390	91	B	so	1	PCE	RMGCFMIN 2K2 OHM +5% 100MIOW
R855	80440390	91	B	so	1	PCE	RMGCFMIN 2K2 OHM +5% 100MIOW
R856	80440390	91	B	so	1	PCE	RMGCFMIN 2K2 OHM +5% 100MIOW
R857	80440390	91	B	so	1	PCE	RMGCFMIN 2K2 OHM +5% 100MIOW
R858	80440390	91	B	so	1	PCE	RMGCFMIN 2K2 OHM +5% 100MIOW
R859	80440390	91	B	so	1	PCE	RMGCFMIN 2K2 OHM +5% 100MIOW
R860	30944320	91	B	so	1	PCE	RMGCFMIN 9K1 OHM +5% 100MIOW
R861	90574430	91	B	so	1	PCE	RMGCFMIN 18K0 OHM +5% 100MIOW
R862	90574430	91	B	so	1	PCE	RMGCFMIN 18K0 OHM +5% 100MIOW
R863	90574430	91	B	so	1	PCE	RMGCFMIN 18K0 OHM +5% 100MIOW
R864	20471920	91	B	so	1	PCE	RMGCFMIN 220R0 OHM +5% 100MIOW
R865	80440390	91	B	so	1	PCE	RMGCFMIN 2K2 OHM +5% 100MIOW
R866	80440390	91	B	so	1	PCE	RMGCFMIN 2K2 OHM +5% 100MIOW
R867	70434200	91	B	so	1	PCE	RMGCFMIN 100R0 OHM +5% 100MIOW
R868	70434200	91	B	so	1	PCE	RMGCFMIN 100R0 OHM +5% 100MIOW
R869	70434200	91	B	so	1	PCE	RMGCFMIN 100R0 OHM +5% 100MIOW
R870	70434200	91	B	so	1	PCE	RMGCFMIN 100R0 OHM +5% 100MIOW

R871	70434200	91	B	so	1	PCE	RMGCFMIN 100R0 OHM +5% 100MIOW
R872	70434200	91	B	so	1	PCE	RMGCFMIN 100R0 OHM +5% 100MIOW
R873	70434200	91	B	so	1	PCE	RMGCFMIN 100R0 OHM +5% 100MIOW
R874	70434200	91	B	so	1	PCE	RMGCFMIN 100R0 OHM +5% 100MIOW
R875	70434200	91	B	so	1	PCE	RMGCFMIN 100R0 OHM +5% 100MIOW
R876	70434200	91	B	so	1	PCE	RMGCFMIN 100R0 OHM +5% 100MIOW
R878	70434200	91	B	so	1	PCE	RMGCFMIN 100R0 OHM +5% 100MIOW
R879	70434200	91	B	so	1	PCE	RMGCFMIN 100R0 OHM +5% 100MIOW
R880	70434200	91	B	so	1	PCE	RMGCFMIN 100R0 OHM +5% 100MIOW
R881	70434200	91	B	so	1	PCE	RMGCFMIN 100R0 OHM +5% 100MIOW
R882	90574400	91	B	so	1	PCE	RMGCFMIN 470R0 OHM +5% 100MIOW
R883	20472020	91	B	so	1	PCE	RMGCFMIN 180K0 OHM +5% 100MIOW
R884	50886630	91	B	so	1	PCE	RMGCFMIN 100K0 OHM +5% 100MIOW
R885	90574400	91	B	so	1	PCE	RMGCFMIN 470R0 OHM +5% 100MIOW
R886	20472020	91	B	so	1	PCE	RMGCFMIN 180K0 OHM +5% 100MIOW
R887	50886630	91	B	so	1	PCE	RMGCFMIN 100K0 OHM +5% 100MIOW
R888	90574400	91	B	so	1	PCE	RMGCFMIN 470R0 OHM +5% 100MIOW
R889	20472020	91	B	so	1	PCE	RMGCFMIN 180K0 OHM +5% 100MIOW
R890	20471950	91	B	so	1	PCE	RMGCFMIN 1K0 OHM +5% 100MIOW
R891	80440400	91	B	so	1	PCE	RMGCFMIN 5K6 OHM +5% 100MIOW
R892	50886630	91	B	so	1	PCE	RMGCFMIN 100K0 OHM +5% 100MIOW
R893	90574400	91	B	so	1	PCE	RMGCFMIN 470R0 OHM +5% 100MIOW
R894	20472020	91	B	so	1	PCE	RMGCFMIN 180K0 OHM +5% 100MIOW
R895	20471950	91	B	so	1	PCE	RMGCFMIN 1K0 OHM +5% 100MIOW
R896	80440400	91	B	so	1	PCE	RMGCFMIN 5K6 OHM +5% 100MIOW
R897	50886630	91	B	so	1	PCE	RMGCFMIN 100K0 OHM +5% 100MIOW
R898	90574400	91	B	so	1	PCE	RMGCFMIN 470R0 OHM +5% 100MIOW
R899	50886630	91	B	so	1	PCE	RMGCFMIN 100K0 OHM +5% 100MIOW
R901	80440400	91	B	so	1	PCE	RMGCFMIN 5K6 OHM +5% 100MIOW
R902	50886630	91	B	so	1	PCE	RMGCFMIN 100K0 OHM +5% 100MIOW
R903	20471950	91	B	so	1	PCE	RMGCFMIN 1K0 OHM +5% 100MIOW
R904	90574400	91	B	so	1	PCE	RMGCFMIN 470R0 OHM +5% 100MIOW
R905	50886630	91	B	so	1	PCE	RMGCFMIN 100K0 OHM +5% 100MIOW
R907	80440400	91	B	so	1	PCE	RMGCFMIN 5K6 OHM +5% 100MIOW
R908	50886630	91	B	so	1	PCE	RMGCFMIN 100K0 OHM +5% 100MIOW
R909	20471950	91	B	so	1	PCE	RMGCFMIN 1K0 OHM +5% 100MIOW
R910	90574400	91	B	so	1	PCE	RMGCFMIN 470R0 OHM +5% 100MIOW
R911	50886630	91	B	so	1	PCE	RMGCFMIN 100K0 OHM +5% 100MIOW
R912	20471950	91	B	so	1	PCE	RMGCFMIN 1K0 OHM +5% 100MIOW
R913	80440400	91	B	so	1	PCE	RMGCFMIN 5K6 OHM +5% 100MIOW
R914	50886630	91	B	so	1	PCE	RMGCFMIN 100K0 OHM +5% 100MIOW
R915	20471950	91	B	so	1	PCE	RMGCFMIN 1K0 OHM +5% 100MIOW
R916	90574400	91	B	so	1	PCE	RMGCFMIN 470R0 OHM +5% 100MIOW
R917	50886630	91	B	so	1	PCE	RMGCFMIN 100K0 OHM +5% 100MIOW
R918	20471950	91	B	so	1	PCE	RMGCFMIN 1K0 OHM +5% 100MIOW
R919	50886610	91	B	so	1	PCE	RMGCFMIN 10K0 OHM +5% 100MIOW
R920	50886630	91	B	so	1	PCE	RMGCFMIN 100K0 OHM +5% 100MIOW
R921	20471950	91	B	so	1	PCE	RMGCFMIN 1K0 OHM +5% 100MIOW
R922	90574400	91	B	so	1	PCE	RMGCFMIN 470R0 OHM +5% 100MIOW
R923	50886630	91	B	so	1	PCE	RMGCFMIN 100K0 OHM +5% 100MIOW
R924	20471950	91	B	so	1	PCE	RMGCFMIN 1K0 OHM +5% 100MIOW
R925	80440400	91	B	so	1	PCE	RMGCFMIN 5K6 OHM +5% 100MIOW
R926	50886630	91	B	so	1	PCE	RMGCFMIN 100K0 OHM +5% 100MIOW

R927	20471950	91	B	so	1	PCE	RMGCFMIN 1K0 OHM +5% 100MIOW
R928	90574400	91	B	so	1	PCE	RMGCFMIN 470R0 OHM +5% 100MIOW
R929	50886630	91	B	so	1	PCE	RMGCFMIN 100K0 OHM +5% 100MIOW
R930	20471950	91	B	so	1	PCE	RMGCFMIN 1K0 OHM +5% 100MIOW
R931	80440390	91	B	so	1	PCE	RMGCFMIN 2K2 OHM +5% 100MIOW
R932	50886630	91	B	so	1	PCE	RMGCFMIN 100K0 OHM +5% 100MIOW
R933	20471920	91	B	so	1	PCE	RMGCFMIN 220R0 OHM +5% 100MIOW
R934	90574400	91	B	so	1	PCE	RMGCFMIN 470R0 OHM +5% 100MIOW
R935	30944340	91	B	so	1	PCE	RMGCFMIN 27K0 OHM +5% 100MIOW
R936	50886630	91	B	so	1	PCE	RMGCFMIN 100K0 OHM +5% 100MIOW
R937	20471950	91	B	so	1	PCE	RMGCFMIN 1K0 OHM +5% 100MIOW
R938	80440390	91	B	so	1	PCE	RMGCFMIN 2K2 OHM +5% 100MIOW
R939	50886630	91	B	so	1	PCE	RMGCFMIN 100K0 OHM +5% 100MIOW
R940	20471920	91	B	so	1	PCE	RMGCFMIN 220R0 OHM +5% 100MIOW
R941	30944320	91	B	so	1	PCE	RMGCFMIN 9K1 OHM +5% 100MIOW
R942	90574400	91	B	so	1	PCE	RMGCFMIN 470R0 OHM +5% 100MIOW
R943	20472020	91	B	so	1	PCE	RMGCFMIN 180K0 OHM +5% 100MIOW
R944	50886630	91	B	so	1	PCE	RMGCFMIN 100K0 OHM +5% 100MIOW
R945	90574400	91	B	so	1	PCE	RMGCFMIN 470R0 OHM +5% 100MIOW
R946	20472020	91	B	so	1	PCE	RMGCFMIN 180K0 OHM +5% 100MIOW
R947	50886630	91	B	so	1	PCE	RMGCFMIN 100K0 OHM +5% 100MIOW
R948	30944340	91	B	so	1	PCE	RMGCFMIN 27K0 OHM +5% 100MIOW
R949	20471920	91	B	so	1	PCE	RMGCFMIN 220R0 OHM +5% 100MIOW
R950	90574400	91	B	so	1	PCE	RMGCFMIN 470R0 OHM +5% 100MIOW
R951	20471950	91	B	so	1	PCE	RMGCFMIN 1K0 OHM +5% 100MIOW
R952	20471950	91	B	so	1	PCE	RMGCFMIN 1K0 OHM +5% 100MIOW
R953	50886630	91	B	so	1	PCE	RMGCFMIN 100K0 OHM +5% 100MIOW
R954	80440400	91	B	so	1	PCE	RMGCFMIN 5K6 OHM +5% 100MIOW
R955	50886630	91	B	so	1	PCE	RMGCFMIN 100K0 OHM +5% 100MIOW
R956	90574430	91	B	so	1	PCE	RMGCFMIN 18K0 OHM +5% 100MIOW
R957	20471950	91	B	so	1	PCE	RMGCFMIN 1K0 OHM +5% 100MIOW
R958	20471950	91	B	so	1	PCE	RMGCFMIN 1K0 OHM +5% 100MIOW
R959	20471950	91	B	so	1	PCE	RMGCFMIN 1K0 OHM +5% 100MIOW
R960	20471950	91	B	so	1	PCE	RMGCFMIN 1K0 OHM +5% 100MIOW
R961	20471950	91	B	so	1	PCE	RMGCFMIN 1K0 OHM +5% 100MIOW
R962	20471950	91	B	so	1	PCE	RMGCFMIN 1K0 OHM +5% 100MIOW
R963	50886550	91	B	so	1	PCE	RMGCFMIN 560R0 OHM +5% 100MIOW
R964	50886550	91	B	so	1	PCE	RMGCFMIN 560R0 OHM +5% 100MIOW
R965	90574400	91	B	so	1	PCE	RMGCFMIN 470R0 OHM +5% 100MIOW
R966	90574400	91	B	so	1	PCE	RMGCFMIN 470R0 OHM +5% 100MIOW
R967	30944340	91	B	so	1	PCE	RMGCFMIN 27K0 OHM +5% 100MIOW
R968	30944340	91	B	so	1	PCE	RMGCFMIN 27K0 OHM +5% 100MIOW
R969	90574430	91	B	so	1	PCE	RMGCFMIN 18K0 OHM +5% 100MIOW
R970	90574430	91	B	so	1	PCE	RMGCFMIN 18K0 OHM +5% 100MIOW

PART NO : 55261940

TITEL : AC EMBD IMA SURROUND BD AVR5500

Pos	Tocom#	Pkg	M/B	St	Qty	Unit	SName
020	55262070		M	SO	1	PCE	AC ESABD IAU SURROUND BD AVR5500
030	55188900		X	ud	1	PCE	AC SCHEMATIC SURROUND BD AVR520 OEM
040	20290150		B	so	0.015	KG	SOLDER BAR 52SN/45PB/3SB BAR
041	15481260		B	so	0.015	L	SLDC FLUX LRES FOAM SM32DHT-2
050	55176410		B	so	1	PCE	AC METAL HEATSINK 17*15*30 AVR520 --
055	55127070		B	so	1	PCE	SCREW-ST 3MM 10MM JIS B 1122 25 0 0
AC981	55246750	NR	B	so	1	PCE	CONN-SPE AC OUTLET 2P 220V FE 19MM 2 BK 0 0
BKT1	55176420		B	ud	1	PCE	AC PUN BRACKET BKT GROUND ET 0.5T AVR520
BKT2	55176420		B	ud	1	PCE	AC PUN BRACKET BKT GROUND ET 0.5T AVR520
C378	15041100	16	B	so	1	PCE	RA 3M3 OHM +10% 500MI0W
C621	13076940	AM	B	so	1	PCE	CE 470U0F +20% 63.0V 85C
C622	13076940	AM	B	so	1	PCE	CE 470U0F +20% 63.0V 85C
C623	13076940	AM	B	so	1	PCE	CE 470U0F +20% 63.0V 85C
C624	13076940	AM	B	so	1	PCE	CE 470U0F +20% 63.0V 85C
C691	55126170	NR	B	so	1	PCE	CE 6MI8F +20% 63.0V 85C
C692	55126170	NR	B	so	1	PCE	CE 6MI8F +20% 63.0V 85C
C982	55095470	NR	B	so	1	PCE	CC 4N7F +20% -20% 250.0V Y5V
C984	13073530	AM	B	so	1	PCE	CE 470U0F +20% 50.0V 85C
C989	13073530	AM	B	so	1	PCE	CE 470U0F +20% 50.0V 85C
C990	13073530	AM	B	so	1	PCE	CE 470U0F +20% 50.0V 85C
CA81	55095460	NR	B	so	1	PCE	CPPMX 100N0F +20% -20%
CN390	55123310		B	so	1	PCE	CONN 2.0MM 4 MA ST NAT LW2002P04 0 0
CN391	55090080		B	so	1	PCE	CONN 2.0MM 3 MA ST NAT LW2002P03 0 0
CN606	55191230	NR	B	ud	1	PCE	WIRECONASY UNIQUE 3P 864MM UL1007 PVC DISCRETE 26 1
D691	55179280	NR	B	ud	1	PCE	D-BRDLC BRIDGE BU8-04F FRONTIER
D981	20415060	16	B	so	1	PCE	D-SR 1N4004 400.0V 1.0A
D982	20415060	16	B	so	1	PCE	D-SR 1N4004 400.0V 1.0A
D983	20415060	16	B	so	1	PCE	D-SR 1N4004 400.0V 1.0A
D984	20415060	16	B	so	1	PCE	D-SR 1N4004 400.0V 1.0A
D985	20415060	16	B	so	1	PCE	D-SR 1N4004 400.0V 1.0A
D986	20415060	16	B	so	1	PCE	D-SR 1N4004 400.0V 1.0A
D989	20415060	16	B	so	1	PCE	D-SR 1N4004 400.0V 1.0A
D990	20415060	16	B	so	1	PCE	D-SR 1N4004 400.0V 1.0A
FU981	55126910	NR	B	so	1	PCE	FUSVDETIMELG 5.0 A 250.0 V 5X20
H012	55180170	NR	B	ud	1	PCE	WIRECONASY UNIQUE 1P 200MM UL1007 PVC DISCRETE 18 1
IC390	55179600	NR	B	so	1	PCE	IC-LOGIC TC4053BFN SOL16 MULTIPLEXER CMOS
IC391	55175530	NR	B	so	1	PCE	IC-VIDEOPROC TSH95D VIDEO AMPLIFIER
IC981	55179250	NR	B	ud	1	PCE	IC-REGPOFXD KIA7805API TO-220AB NORMAL
JA290	55176360		B	so	1	PCE	CON PHONO SCKT RCA 9P W/GND CAP JK090122LN
JK601	55191390	NR	B	so	1	PCE	CONN-SPE TERMINAL SPKR 4P SH0410376P FE 19MM 4 BK 0 0
L601	55233160	NR	M	UD	1	PCE	LF 700N0H
L602	55233160	NR	M	UD	1	PCE	LF 700N0H
Q625	55179200	NR	B	so	1	PCE	TR-SHPLF 2SC4883A N 2.0A
Q626	55179200	NR	B	so	1	PCE	TR-SHPLF 2SC4883A N 2.0A
Q633	55179190	NR	B	so	1	PCE	TR-SHPLF 2SA1859A P -2.0A
Q634	55179190	NR	B	so	1	PCE	TR-SHPLF 2SA1859A P -2.0A
Q635	55179200	NR	B	so	1	PCE	TR-SHPLF 2SC4883A N 2.0A
Q636	55179200	NR	B	so	1	PCE	TR-SHPLF 2SC4883A N 2.0A
Q637	55179180	NR	B	so	1	PCE	TR-SHPLF 2SC5358-R N 15.0A

Q638	55179180	NR	B	so	1	PCE	TR-SHPLF 2SC5358-R N 15.0A
Q639	55179150	NR	B	so	1	PCE	TR-SHPLF 2SA1986-R P -15.0A
Q640	55179150	NR	B	so	1	PCE	TR-SHPLF 2SA1986-R P -15.0A
R671	55179340	NR	B	ud	1	PCE	RW 220MIO OHM +5% 5.0W 600PPM/'C -600PPM/'C
R672	55179340	NR	B	ud	1	PCE	RW 220MIO OHM +5% 5.0W 600PPM/'C -600PPM/'C
R675	60442550	16	B	so	1	PCE	RMOF 10R0 OHM +5% 1.0W
R676	60442550	16	B	so	1	PCE	RMOF 10R0 OHM +5% 1.0W
RL981	55091500	NR	B	so	1	PCE	RELAYPWR 12.0V 270.0OHM 10.0A 250.0V
T981	55155650	NR	B	so	1	PCE	TF-LAM POWER-TRANSFORMER 230V
VR601	55152180	NR	B	so	1	PCE	PR 1K0 OHM +30% 100MIO
VR602	55152180	NR	B	so	1	PCE	PR 1K0 OHM +30% 100MIO
WA601	55146560		B	so	1	PCE	CONN 2.5MM 2 MA ST NAT 0 0
WA602	55146560		B	so	1	PCE	CONN 2.5MM 2 MA ST NAT 0 0
WA603	55171550		B	so	1	PCE	CON 3.96MM PITCH MOLEX 35313-0310
WA625	55123310		B	so	1	PCE	CONN 2.0MM 4 MA ST NAT LW2002P04 0 0
WA981	5504884A		B	so	1	PCE	CON 3.96MM PITCH HEADER 2 POS
WA983	55123510		B	so	1	PCE	CON 3.96MM PITCH HEADER 2 POS MOLEX 35328-0210
WA985	55123510		B	so	1	PCE	CON 3.96MM PITCH HEADER 2 POS MOLEX 35328-0210
WA986	55146620		B	so	1	PCE	CONN 2.5MM 7 MA ST NAT 0 0

**PART NO :** 55262070

**TITEL :** AC ESABD IAU SURROUND BD AVR5500

Pos	Tocom#	Pkg	M/B	St	Qty	Unit	SName
020	55262290		B	ud	1	PCE	AC PCB SURR AVR5500 SINGLE LAYER
C350	20252050	30	B	so	1	PCE	CE 100U0F +20% 6.3V 85C
C351	20252050	30	B	so	1	PCE	CE 100U0F +20% 6.3V 85C
C352	20268880	30	B	so	1	PCE	CE 10U0F +20% 50.0V 85C
C353	20268880	30	B	so	1	PCE	CE 10U0F +20% 50.0V 85C
C354	20268880	30	B	so	1	PCE	CE 10U0F +20% 50.0V 85C
C361	20252050	30	B	so	1	PCE	CE 100U0F +20% 6.3V 85C
C362	20246470	71	B	so	1	PCE	CC 100N0F +80% -20% 25.0V Z5V
C363	20246470	71	B	so	1	PCE	CC 100N0F +80% -20% 25.0V Z5V
C364	20246470	71	B	so	1	PCE	CC 100N0F +80% -20% 25.0V Z5V
C367	20246470	71	B	so	1	PCE	CC 100N0F +80% -20% 25.0V Z5V
C368	20246470	71	B	so	1	PCE	CC 100N0F +80% -20% 25.0V Z5V
C369	20246470	71	B	so	1	PCE	CC 100N0F +80% -20% 25.0V Z5V
C372	20267830	30	B	so	1	PCE	CE 47U0F +20% 16.0V 85C
C373	20267830	30	B	so	1	PCE	CE 47U0F +20% 16.0V 85C
C374	20267830	30	B	so	1	PCE	CE 47U0F +20% 16.0V 85C
C375	20267830	30	B	so	1	PCE	CE 47U0F +20% 16.0V 85C
C386	20246470	71	B	so	1	PCE	CC 100N0F +80% -20% 25.0V Z5V
C601	20268880	30	B	so	1	PCE	CE 10U0F +20% 50.0V 85C
C602	20268880	30	B	so	1	PCE	CE 10U0F +20% 50.0V 85C
C603	11055300	71	B	so	1	PCE	CC 68P0F +5% -5% 50.0V NP0
C604	11055300	71	B	so	1	PCE	CC 68P0F +5% -5% 50.0V NP0
C605	20269070	30	B	so	1	PCE	CE 100U0F +20% 25.0V 85C
C606	20269070	30	B	so	1	PCE	CE 100U0F +20% 25.0V 85C
C607	20269080	30	B	so	1	PCE	CE 220U0F +20% 10.0V 85C
C608	20269080	30	B	so	1	PCE	CE 220U0F +20% 10.0V 85C
C609	30936070	71	B	so	1	PCE	CC 12P0F +5% -5% 50.0V NP0
C610	30936070	71	B	so	1	PCE	CC 12P0F +5% -5% 50.0V NP0



C611	60439150	71	B	so	1	PCE	CC 33P0F +5% -5% 50.0V NP0
C612	60439150	71	B	so	1	PCE	CC 33P0F +5% -5% 50.0V NP0
C613	20268880	30	B	so	1	PCE	CE 10U0F +20% 50.0V 85C
C614	20268880	30	B	so	1	PCE	CE 10U0F +20% 50.0V 85C
C615	20268880	30	B	so	1	PCE	CE 10U0F +20% 50.0V 85C
C616	20268880	30	B	so	1	PCE	CE 10U0F +20% 50.0V 85C
C617	55179360	71	B	so	1	PCE	CPM 100N0F +10% 63.0V
C618	55179360	71	B	so	1	PCE	CPM 100N0F +10% 63.0V
C619	55179360	71	B	so	1	PCE	CPM 100N0F +10% 63.0V
C620	55179360	71	B	so	1	PCE	CPM 100N0F +10% 63.0V
C625	11055560	71	B	so	1	PCE	CC 3N3F +10% -10% 50.0V Y5P
C626	11055560	71	B	so	1	PCE	CC 3N3F +10% -10% 50.0V Y5P
C629	40433580	71	B	so	1	PCE	CC 68P0F +10% -10% 50.0V Y5P
C630	40433580	71	B	so	1	PCE	CC 68P0F +10% -10% 50.0V Y5P
C681	55179400	71	B	so	1	PCE	CPM 68N0F +5% 63.0V
C682	55179400	71	B	so	1	PCE	CPM 68N0F +5% 63.0V
C693	55095430	71	B	so	1	PCE	CPM 100N0F +10% 250.0V
C694	55095430	71	B	so	1	PCE	CPM 100N0F +10% 250.0V
C695	55095430	71	B	so	1	PCE	CPM 100N0F +10% 250.0V
C696	15002130	30	B	so	1	PCE	CE 10U0F +20% 16.0V 85C
C971	20268840	30	B	so	1	PCE	CE 1U0F +20% 50.0V 85C
C983	70428520	71	B	so	1	PCE	CC 10N0F +10% -10% 50.0V Y5P
C985	20495030	16	B	so	1	PCE	CC 100N0F +10% -10% 25.0V Y5P
C986	20268840	30	B	so	1	PCE	CE 1U0F +20% 50.0V 85C
C987	20268880	30	B	so	1	PCE	CE 10U0F +20% 50.0V 85C
C988	20495030	16	B	so	1	PCE	CC 100N0F +10% -10% 25.0V Y5P
C991	20269010	30	B	so	1	PCE	CE 47U0F +20% 50.0V 85C
C992	13039350	30	B	so	1	PCE	CE 100U0F +20% 35.0V 85C
C993	20495030	16	B	so	1	PCE	CC 100N0F +10% -10% 25.0V Y5P
C994	20495030	16	B	so	1	PCE	CC 100N0F +10% -10% 25.0V Y5P
C995	20495030	16	B	so	1	PCE	CC 100N0F +10% -10% 25.0V Y5P
C997	70428520	71	B	so	1	PCE	CC 10N0F +10% -10% 50.0V Y5P
C998	70428520	71	B	so	1	PCE	CC 10N0F +10% -10% 50.0V Y5P
C999	70428520	71	B	so	1	PCE	CC 10N0F +10% -10% 50.0V Y5P
D601	70436540	16	B	so	1	PCE	D-SLP 1N4148 100.0V 150E-3A
D602	70436540	16	B	so	1	PCE	D-SLP 1N4148 100.0V 150E-3A
D603	70436540	16	B	so	1	PCE	D-SLP 1N4148 100.0V 150E-3A
D604	70436540	16	B	so	1	PCE	D-SLP 1N4148 100.0V 150E-3A
D681	70436540	16	B	so	1	PCE	D-SLP 1N4148 100.0V 150E-3A
D682	70436540	16	B	so	1	PCE	D-SLP 1N4148 100.0V 150E-3A
D683	70436540	16	B	so	1	PCE	D-SLP 1N4148 100.0V 150E-3A
D684	70436540	16	B	so	1	PCE	D-SLP 1N4148 100.0V 150E-3A
D685	70436540	16	B	so	1	PCE	D-SLP 1N4148 100.0V 150E-3A
D987	70436540	16	B	so	1	PCE	D-SLP 1N4148 100.0V 150E-3A
D988	70436540	16	B	so	1	PCE	D-SLP 1N4148 100.0V 150E-3A
D991	20475340	16	B	so	1	PCE	D-ZENER BZX55B30 30V 500MI0W
D992	70436540	16	B	so	1	PCE	D-SLP 1N4148 100.0V 150E-3A
D994	20873880	16	B	so	1	PCE	D-ZENER 1N5236B 7.5V 500MI0W
D996	20526960	16	B	so	1	PCE	D-ZENER 1N5231B 5.1V 500MI0W
FH981	55170330	CM	B	so	1	PCE	TERMFUSEHLDR FUSE-HOLDER
FH982	55170330	CM	B	so	1	PCE	TERMFUSEHLDR FUSE-HOLDER
Q301	55133210	56	B	so	1	PCE	TR-SLPLF DTC114YSA N 100MI0A
Q601	20556600	56	B	so	1	PCE	TR-SHPLF KTC3200BL N 100MI0A 120V

Q602	20556600	56	B	so	1	PCE	TR-SHPLF KTC3200BL N 100MI0A 120V
Q603	20556600	56	B	so	1	PCE	TR-SHPLF KTC3200BL N 100MI0A 120V
Q604	20556600	56	B	so	1	PCE	TR-SHPLF KTC3200BL N 100MI0A 120V
Q605	20556600	56	B	so	1	PCE	TR-SHPLF KTC3200BL N 100MI0A 120V
Q606	20556600	56	B	so	1	PCE	TR-SHPLF KTC3200BL N 100MI0A 120V
Q607	20508080	56	B	so	1	PCE	TR-SLPLF KTC3198BL N 150MI0A
Q608	20508080	56	B	so	1	PCE	TR-SLPLF KTC3198BL N 150MI0A
Q611	20647850	56	B	so	1	PCE	TR-SHPLF KTA1268BL P 100MI0A 120V
Q612	20647850	56	B	so	1	PCE	TR-SHPLF KTA1268BL P 100MI0A 120V
Q613	20647850	56	B	so	1	PCE	TR-SHPLF KTA1268BL P 100MI0A 120V
Q614	20647850	56	B	so	1	PCE	TR-SHPLF KTA1268BL P 100MI0A 120V
Q615	20556600	56	B	so	1	PCE	TR-SHPLF KTC3200BL N 100MI0A 120V
Q616	20556600	56	B	so	1	PCE	TR-SHPLF KTC3200BL N 100MI0A 120V
Q617	55133260	56	B	so	1	PCE	TR-SLPLF KTA1024 Y P 50MI0A -150V
Q618	55133260	56	B	so	1	PCE	TR-SLPLF KTA1024 Y P 50MI0A -150V
Q619	55133240	56	B	so	1	PCE	TR-SLPLF KTC3206 Y N 50MI0A 150V
Q620	55133240	56	B	so	1	PCE	TR-SLPLF KTC3206 Y N 50MI0A 150V
Q621	55133260	56	B	so	1	PCE	TR-SLPLF KTA1024 Y P 50MI0A -150V
Q622	55133260	56	B	so	1	PCE	TR-SLPLF KTA1024 Y P 50MI0A -150V
Q623	55133240	56	B	so	1	PCE	TR-SLPLF KTC3206 Y N 50MI0A 150V
Q624	55133240	56	B	so	1	PCE	TR-SLPLF KTC3206 Y N 50MI0A 150V
Q627	20556600	56	B	so	1	PCE	TR-SHPLF KTC3200BL N 100MI0A 120V
Q628	20556600	56	B	so	1	PCE	TR-SHPLF KTC3200BL N 100MI0A 120V
Q629	55133240	56	B	so	1	PCE	TR-SLPLF KTC3206 Y N 50MI0A 150V
Q630	55133240	56	B	so	1	PCE	TR-SLPLF KTC3206 Y N 50MI0A 150V
Q631	55133260	56	B	so	1	PCE	TR-SLPLF KTA1024 Y P 50MI0A -150V
Q632	55133260	56	B	so	1	PCE	TR-SLPLF KTA1024 Y P 50MI0A -150V
Q681	20556600	56	B	so	1	PCE	TR-SHPLF KTC3200BL N 100MI0A 120V
Q682	20556600	56	B	so	1	PCE	TR-SHPLF KTC3200BL N 100MI0A 120V
Q683	20647850	56	B	so	1	PCE	TR-SHPLF KTA1268BL P 100MI0A 120V
Q981	20647850	56	B	so	1	PCE	TR-SHPLF KTA1268BL P 100MI0A 120V
Q982	55142670	56	B	so	1	PCE	TR-SLPLF MPSA06 N 500MI0A
R350	70430520	16	B	so	1	PCE	RCF 75R0 OHM +5% 250MI0W
R351	70430520	16	B	so	1	PCE	RCF 75R0 OHM +5% 250MI0W
R352	60441580	16	B	so	1	PCE	RCF 22K0 OHM +5% 250MI0W
R353	70430520	16	B	so	1	PCE	RCF 75R0 OHM +5% 250MI0W
R354	70430520	16	B	so	1	PCE	RCF 75R0 OHM +5% 250MI0W
R355	30939360	16	B	so	1	PCE	RCF 10R0 OHM +5% 250MI0W
R356	70430520	16	B	so	1	PCE	RCF 75R0 OHM +5% 250MI0W
R357	70430520	16	B	so	1	PCE	RCF 75R0 OHM +5% 250MI0W
R358	30939360	16	B	so	1	PCE	RCF 10R0 OHM +5% 250MI0W
R359	70430520	16	B	so	1	PCE	RCF 75R0 OHM +5% 250MI0W
R360	30939360	16	B	so	1	PCE	RCF 10R0 OHM +5% 250MI0W
R361	60441560	16	B	so	1	PCE	RCF 560R0 OHM +5% 250MI0W
R362	80436970	16	B	so	1	PCE	RCF 510R0 OHM +5% 250MI0W
R363	30939480	16	B	so	1	PCE	RCF 10K0 OHM +5% 250MI0W
R364	60441560	16	B	so	1	PCE	RCF 560R0 OHM +5% 250MI0W
R365	80436970	16	B	so	1	PCE	RCF 510R0 OHM +5% 250MI0W
R366	30939480	16	B	so	1	PCE	RCF 10K0 OHM +5% 250MI0W
R367	60441560	16	B	so	1	PCE	RCF 560R0 OHM +5% 250MI0W
R368	80436970	16	B	so	1	PCE	RCF 510R0 OHM +5% 250MI0W
R369	30939480	16	B	so	1	PCE	RCF 10K0 OHM +5% 250MI0W
R370	70430520	16	B	so	1	PCE	RCF 75R0 OHM +5% 250MI0W

R371	60441580	16	B	so	1	PCE	RCF 22K0 OHM +5% 250MI0W
R372	70430520	16	B	so	1	PCE	RCF 75R0 OHM +5% 250MI0W
R373	60441580	16	B	so	1	PCE	RCF 22K0 OHM +5% 250MI0W
R374	30939480	16	B	so	1	PCE	RCF 10K0 OHM +5% 250MI0W
R601	60441550	16	B	so	1	PCE	RCF 330R0 OHM +5% 250MI0W
R602	60441550	16	B	so	1	PCE	RCF 330R0 OHM +5% 250MI0W
R603	90571130	16	B	so	1	PCE	RCF 39K0 OHM +5% 250MI0W
R604	90571130	16	B	so	1	PCE	RCF 39K0 OHM +5% 250MI0W
R605	40435630	16	B	so	1	PCE	RCF 1K5 OHM +5% 250MI0W
R606	40435630	16	B	so	1	PCE	RCF 1K5 OHM +5% 250MI0W
R607	40435630	16	B	so	1	PCE	RCF 1K5 OHM +5% 250MI0W
R608	40435630	16	B	so	1	PCE	RCF 1K5 OHM +5% 250MI0W
R609	20469450	16	B	so	1	PCE	RCF 220R0 OHM +5% 250MI0W
R610	20469450	16	B	so	1	PCE	RCF 220R0 OHM +5% 250MI0W
R611	20469450	16	B	so	1	PCE	RCF 220R0 OHM +5% 250MI0W
R612	20469450	16	B	so	1	PCE	RCF 220R0 OHM +5% 250MI0W
R613	11059610	16	B	so	1	PCE	RCF 270R0 OHM +5% 250MI0W
R614	11059610	16	B	so	1	PCE	RCF 270R0 OHM +5% 250MI0W
R615	20469510	16	B	so	1	PCE	RCF 43K0 OHM +5% 250MI0W
R616	20469510	16	B	so	1	PCE	RCF 43K0 OHM +5% 250MI0W
R617	90571130	16	B	so	1	PCE	RCF 39K0 OHM +5% 250MI0W
R618	90571130	16	B	so	1	PCE	RCF 39K0 OHM +5% 250MI0W
R619	11059660	16	B	so	1	PCE	RCF 2K0 OHM +5% 250MI0W
R620	11059660	16	B	so	1	PCE	RCF 2K0 OHM +5% 250MI0W
R621	60441560	16	B	so	1	PCE	RCF 560R0 OHM +5% 250MI0W
R622	60441560	16	B	so	1	PCE	RCF 560R0 OHM +5% 250MI0W
R623	60441560	16	B	so	1	PCE	RCF 560R0 OHM +5% 250MI0W
R624	60441560	16	B	so	1	PCE	RCF 560R0 OHM +5% 250MI0W
R625	60441560	16	B	so	1	PCE	RCF 560R0 OHM +5% 250MI0W
R626	60441560	16	B	so	1	PCE	RCF 560R0 OHM +5% 250MI0W
R627	60441560	16	B	so	1	PCE	RCF 560R0 OHM +5% 250MI0W
R628	60441560	16	B	so	1	PCE	RCF 560R0 OHM +5% 250MI0W
R629	60441560	16	B	so	1	PCE	RCF 560R0 OHM +5% 250MI0W
R630	60441560	16	B	so	1	PCE	RCF 560R0 OHM +5% 250MI0W
R631	60441560	16	B	so	1	PCE	RCF 560R0 OHM +5% 250MI0W
R632	60441560	16	B	so	1	PCE	RCF 560R0 OHM +5% 250MI0W
R633	50882960	16	B	so	1	PCE	RCF 150R0 OHM +5% 250MI0W
R634	50882960	16	B	so	1	PCE	RCF 150R0 OHM +5% 250MI0W
R635	50882960	16	B	so	1	PCE	RCF 150R0 OHM +5% 250MI0W
R636	50882960	16	B	so	1	PCE	RCF 150R0 OHM +5% 250MI0W
R637	50883010	16	B	so	1	PCE	RCF 15K0 OHM +5% 250MI0W
R638	50883010	16	B	so	1	PCE	RCF 15K0 OHM +5% 250MI0W
R639	50883010	16	B	so	1	PCE	RCF 15K0 OHM +5% 250MI0W
R640	50883010	16	B	so	1	PCE	RCF 15K0 OHM +5% 250MI0W
R641	50882960	16	B	so	1	PCE	RCF 150R0 OHM +5% 250MI0W
R642	50882960	16	B	so	1	PCE	RCF 150R0 OHM +5% 250MI0W
R643	50882960	16	B	so	1	PCE	RCF 150R0 OHM +5% 250MI0W
R644	50882960	16	B	so	1	PCE	RCF 150R0 OHM +5% 250MI0W
R645	30939360	16	B	so	1	PCE	RCF 10R0 OHM +5% 250MI0W
R646	30939360	16	B	so	1	PCE	RCF 10R0 OHM +5% 250MI0W
R647	30939360	16	B	so	1	PCE	RCF 10R0 OHM +5% 250MI0W
R648	30939360	16	B	so	1	PCE	RCF 10R0 OHM +5% 250MI0W
R649	11059640	16	B	so	1	PCE	RCF 1K0 OHM +5% 250MI0W

R650	11059640	16	B	so	1	PCE	RCF 1K0 OHM +5% 250MI0W
R651	60441560	16	B	so	1	PCE	RCF 560R0 OHM +5% 250MI0W
R652	60441560	16	B	so	1	PCE	RCF 560R0 OHM +5% 250MI0W
R653	40435640	16	B	so	1	PCE	RCF 4K7 OHM +5% 250MI0W
R654	40435640	16	B	so	1	PCE	RCF 4K7 OHM +5% 250MI0W
R655	70430560	16	B	so	1	PCE	RCF 5K6 OHM +5% 250MI0W
R656	70430560	16	B	so	1	PCE	RCF 5K6 OHM +5% 250MI0W
R657	50882950	16	B	so	1	PCE	RCF 100R0 OHM +5% 250MI0W
R658	50882950	16	B	so	1	PCE	RCF 100R0 OHM +5% 250MI0W
R659	50882950	16	B	so	1	PCE	RCF 100R0 OHM +5% 250MI0W
R660	50882950	16	B	so	1	PCE	RCF 100R0 OHM +5% 250MI0W
R661	30939370	16	B	so	1	PCE	RCF 15R0 OHM +5% 250MI0W
R662	30939370	16	B	so	1	PCE	RCF 15R0 OHM +5% 250MI0W
R663	30939370	16	B	so	1	PCE	RCF 15R0 OHM +5% 250MI0W
R664	30939370	16	B	so	1	PCE	RCF 15R0 OHM +5% 250MI0W
R665	40438910	16	B	so	1	PCE	RCF 2R2 OHM +5% 250MI0W
R666	40438910	16	B	so	1	PCE	RCF 2R2 OHM +5% 250MI0W
R667	40438910	16	B	so	1	PCE	RCF 2R2 OHM +5% 250MI0W
R668	40438910	16	B	so	1	PCE	RCF 2R2 OHM +5% 250MI0W
R669	11059590	16	B	so	1	PCE	RCF 82R0 OHM +5% 250MI0W
R670	11059590	16	B	so	1	PCE	RCF 82R0 OHM +5% 250MI0W
R673	30939360	16	B	so	1	PCE	RCF 10R0 OHM +5% 250MI0W
R674	30939360	16	B	so	1	PCE	RCF 10R0 OHM +5% 250MI0W
R677	30939360	16	B	so	1	PCE	RCF 10R0 OHM +5% 250MI0W
R678	30939360	16	B	so	1	PCE	RCF 10R0 OHM +5% 250MI0W
R679	50882970	16	B	so	1	PCE	RCF 470R0 OHM +5% 250MI0W
R680	50882970	16	B	so	1	PCE	RCF 470R0 OHM +5% 250MI0W
R681	40435630	16	B	so	1	PCE	RCF 1K5 OHM +5% 250MI0W
R682	40435630	16	B	so	1	PCE	RCF 1K5 OHM +5% 250MI0W
R683	50883010	16	B	so	1	PCE	RCF 15K0 OHM +5% 250MI0W
R684	50883010	16	B	so	1	PCE	RCF 15K0 OHM +5% 250MI0W
R685	60441580	16	B	so	1	PCE	RCF 22K0 OHM +5% 250MI0W
R686	60441580	16	B	so	1	PCE	RCF 22K0 OHM +5% 250MI0W
R687	40435630	16	B	so	1	PCE	RCF 1K5 OHM +5% 250MI0W
R688	40435630	16	B	so	1	PCE	RCF 1K5 OHM +5% 250MI0W
R689	90571130	16	B	so	1	PCE	RCF 39K0 OHM +5% 250MI0W
R690	90571130	16	B	so	1	PCE	RCF 39K0 OHM +5% 250MI0W
R691	30939480	16	B	so	1	PCE	RCF 10K0 OHM +5% 250MI0W
R692	90571130	16	B	so	1	PCE	RCF 39K0 OHM +5% 250MI0W
R971	30939480	16	B	so	1	PCE	RCF 10K0 OHM +5% 250MI0W
R972	30939510	16	B	so	1	PCE	RCF 100K0 OHM +5% 250MI0W
R981	20472530	16	B	so	1	PCE	RCF 4R7 OHM +5% 250MI0W
R982	20469460	16	B	so	1	PCE	RCF 2K2 OHM +5% 250MI0W
R983	11059640	16	B	so	1	PCE	RCF 1K0 OHM +5% 250MI0W
R984	11059670	16	B	so	1	PCE	RCF 2K7 OHM +5% 250MI0W
R985	30939380	16	B	so	1	PCE	RCF 22R0 OHM +5% 250MI0W
R986	20469460	16	B	so	1	PCE	RCF 2K2 OHM +5% 250MI0W
R987	60441560	16	B	so	1	PCE	RCF 560R0 OHM +5% 250MI0W
R988	11067570	16	B	so	1	PCE	RCF 1R0 OHM +5% 250MI0W
R989	11067570	16	B	so	1	PCE	RCF 1R0 OHM +5% 250MI0W
R993	70430560	16	B	so	1	PCE	RCF 5K6 OHM +5% 250MI0W

PART NO : 55261890

TITEL : AC EMBD IMA VIDEO BD AVR5500

Pos	Tocom#	Pkg	M/B	St	Qty	Unit	SName
020	55182740		M	SO	1	PCE	AC ESABD IAU VIDEO BD AVR520
030	55188940		X	ud	1	PCE	AC SCHEMATIC VIDEO BD AVR520 OEM
040	20290150		B	so	0.015	KG	SOLDER BAR 52SN/45PB/3SB BAR
041	15481260		B	so	0.015	L	SLDC FLUX LRES FOAM SM32DHT-2
B601	55179500	18	B	so	1	PCE	LFBEAD 80.5820HM 100MOHZ FB-30 HC-3580
B602	55179500	18	B	so	1	PCE	LFBEAD 80.5820HM 100MOHZ FB-30 HC-3580
B603	55179500	18	B	so	1	PCE	LFBEAD 80.5820HM 100MOHZ FB-30 HC-3580
CN602	55175900	NR	B	so	1	PCE	WIRECONASY UNIQUE 4P 380MM UL1007 PVC DISCRETE 26 1
CN603	55175890	NR	B	so	1	PCE	WIRECONASY UNIQUE 4P 250MM UL1007 PVC DISCRETE 26 1
CP601	55174650		B	so	1	PCE	CONN 2.0MM 16 MA R NAT SOCKET MOLEX 35237-1610 0 0
CP602	55123340		B	so	1	PCE	CONN 2.0MM 8 MA ST NAT LW2002P08 0 0
G001	55244390	NR	M	SO	1	PCE	WIRECONASY UNIQUE 1P 100MM UL1007 PVC DISCRETE 18 1
IC607	55179610	NR	B	so	1	PCE	IC-SPECFUNC M35013 OSD
IC609	40440440	00	B	so	1	PCE	IC-LIN BA7046 2856 A0 00
J034	55179510	18	B	so	1	PCE	LFBEAD 44.16530HM 100MOHZ FB-30 HC-3550
J050	55179510	18	B	so	1	PCE	LFBEAD 44.16530HM 100MOHZ FB-30 HC-3550
J051	55179510	18	B	so	1	PCE	LFBEAD 44.16530HM 100MOHZ FB-30 HC-3550
J052	55179510	18	B	so	1	PCE	LFBEAD 44.16530HM 100MOHZ FB-30 HC-3550
JA601	55149520		B	so	1	PCE	CON DIN SCKT MIX SOCKET RCA-118JP1S
JA602	55149520		B	so	1	PCE	CON DIN SCKT MIX SOCKET RCA-118JP1S
JA603	55149520		B	so	1	PCE	CON DIN SCKT MIX SOCKET RCA-118JP1S
JA604	55149520		B	so	1	PCE	CON DIN SCKT MIX SOCKET RCA-118JP1S
JA605	55149520		B	so	1	PCE	CON DIN SCKT MIX SOCKET RCA-118JP1S
JA606	55149520		B	so	1	PCE	CON DIN SCKT MIX SOCKET RCA-118JP1S
JA607	55149520		B	so	1	PCE	CON DIN SCKT MIX SOCKET RCA-118JP1S
X601	55252250	NR	B	so	1	PCE	FILQZ 17M734475 HZ +30 PPM 30K0 OHM PARALLEL 22P0 F

PART NO : 55182740

TITEL : AC ESABD IAU VIDEO BD AVR520

Pos	Tocom#	Pkg	M/B	St	Qty	Unit	SName
020	55182750		M	SO	1	PCE	AC ESABD SMD VIDEO BD AVR520
021	55179550		B	ud	1	PCE	AC PCB VIDEO BD 163*163 AVR520 SINGLE LAYER
C601	20268880	30	B	so	1	PCE	CE 10U0F +20% 50.0V 85C
C602	20269080	30	B	so	1	PCE	CE 220U0F +20% 10.0V 85C
C603	20268880	30	B	so	1	PCE	CE 10U0F +20% 50.0V 85C
C604	20269080	30	B	so	1	PCE	CE 220U0F +20% 10.0V 85C
C605	20268880	30	B	so	1	PCE	CE 10U0F +20% 50.0V 85C
C610	20267830	30	B	so	1	PCE	CE 47U0F +20% 16.0V 85C
C613	20269080	30	B	so	1	PCE	CE 220U0F +20% 10.0V 85C
C614	20269080	30	B	so	1	PCE	CE 220U0F +20% 10.0V 85C
C615	20252670	30	B	so	1	PCE	CE 470U0F +20% 10.0V 85C
C616	20269080	30	B	so	1	PCE	CE 220U0F +20% 10.0V 85C
C617	20269080	30	B	so	1	PCE	CE 220U0F +20% 10.0V 85C
C621	20268880	30	B	so	1	PCE	CE 10U0F +20% 50.0V 85C
C622	20269080	30	B	so	1	PCE	CE 220U0F +20% 10.0V 85C
C623	20268880	30	B	so	1	PCE	CE 10U0F +20% 50.0V 85C
C624	20269080	30	B	so	1	PCE	CE 220U0F +20% 10.0V 85C

C625	20268880	30	B	so	1	PCE	CE 10U0F +20% 50.0V 85C
C627	20268880	30	B	so	1	PCE	CE 10U0F +20% 50.0V 85C
C628	40433090	30	B	so	1	PCE	CE 1MI0F +20% 6.3V 85C
C630	20268850	30	B	so	1	PCE	CE 2U2F +20% 50.0V 85C
C631	20268880	30	B	so	1	PCE	CE 10U0F +20% 50.0V 85C
C633	20268940	30	B	so	1	PCE	CE 100U0F +20% 10.0V 85C
C639	20268840	30	B	so	1	PCE	CE 1U0F +20% 50.0V 85C
C647	40433090	30	B	so	1	PCE	CE 1MI0F +20% 6.3V 85C
C650	20252670	30	B	so	1	PCE	CE 470U0F +20% 10.0V 85C
C651	20252670	30	B	so	1	PCE	CE 470U0F +20% 10.0V 85C
C652	20252670	30	B	so	1	PCE	CE 470U0F +20% 10.0V 85C
C653	20252670	30	B	so	1	PCE	CE 470U0F +20% 10.0V 85C
C660	20269080	30	B	so	1	PCE	CE 220U0F +20% 10.0V 85C
C661	20267830	30	B	so	1	PCE	CE 47U0F +20% 16.0V 85C
C662	40433090	30	B	so	1	PCE	CE 1MI0F +20% 6.3V 85C
C663	40433090	30	B	so	1	PCE	CE 1MI0F +20% 6.3V 85C
C664	20252670	30	B	so	1	PCE	CE 470U0F +20% 10.0V 85C
C665	20252670	30	B	so	1	PCE	CE 470U0F +20% 10.0V 85C
C666	20269080	30	B	so	1	PCE	CE 220U0F +20% 10.0V 85C
C671	20268960	30	B	so	1	PCE	CE 330N0F +20% 50.0V 85C
C672	20268940	30	B	so	1	PCE	CE 100U0F +20% 10.0V 85C
C675	20268840	30	B	so	1	PCE	CE 1U0F +20% 50.0V 85C
C678	40433350	71	B	so	1	PCE	CC 18P0F +5% -5% 50.0V NP0
C679	20269080	30	B	so	1	PCE	CE 220U0F +20% 10.0V 85C
C682	20268940	30	B	so	1	PCE	CE 100U0F +20% 10.0V 85C
C683	80434590	71	B	so	1	PCE	CC 22P0F +5% -5% 50.0V NP0
C684	80434590	71	B	so	1	PCE	CC 22P0F +5% -5% 50.0V NP0
C685	20268940	30	B	so	1	PCE	CE 100U0F +20% 10.0V 85C
C687	20268940	30	B	so	1	PCE	CE 100U0F +20% 10.0V 85C
C691	20268840	30	B	so	1	PCE	CE 1U0F +20% 50.0V 85C
C698	20267830	30	B	so	1	PCE	CE 47U0F +20% 16.0V 85C
C699	20267830	30	B	so	1	PCE	CE 47U0F +20% 16.0V 85C
CC601	20268880	30	B	so	1	PCE	CE 10U0F +20% 50.0V 85C
CC603	20268880	30	B	so	1	PCE	CE 10U0F +20% 50.0V 85C
CC606	20268880	30	B	so	1	PCE	CE 10U0F +20% 50.0V 85C
CF601	20268880	30	B	so	1	PCE	CE 10U0F +20% 50.0V 85C
CF602	20268880	30	B	so	1	PCE	CE 10U0F +20% 50.0V 85C
CF604	20269080	30	B	so	1	PCE	CE 220U0F +20% 10.0V 85C
CF605	20268880	30	B	so	1	PCE	CE 10U0F +20% 50.0V 85C
CF611	20269080	30	B	so	1	PCE	CE 220U0F +20% 10.0V 85C
CF612	20268880	30	B	so	1	PCE	CE 10U0F +20% 50.0V 85C
CS607	20268880	30	B	so	1	PCE	CE 10U0F +20% 50.0V 85C
L601	55179350	16	B	ud	1	PCE	LF 22U0H +10% 3.4 OHM 130.0A
L602	55179350	16	B	ud	1	PCE	LF 22U0H +10% 3.4 OHM 130.0A
L603	55179350	16	B	ud	1	PCE	LF 22U0H +10% 3.4 OHM 130.0A
Q602	55157120	56	B	so	1	PCE	TR-SLPLF KTC2874 A N 300MI0A 20V
Q602	55179210	56	B	so	0	PCE	TR-SLPSWA KTC2874 B N
Q603	55157120	56	B	so	1	PCE	TR-SLPLF KTC2874 A N 300MI0A 20V
Q603	55179210	56	B	so	0	PCE	TR-SLPSWA KTC2874 B N
Q604	55157120	56	B	so	1	PCE	TR-SLPLF KTC2874 A N 300MI0A 20V
Q604	55179210	56	B	so	0	PCE	TR-SLPSWA KTC2874 B N
Q605	55101930	56	B	so	1	PCE	TR-SLPLF 2SA933ASR P -3.0A -20V
Q609	55157120	56	B	so	1	PCE	TR-SLPLF KTC2874 A N 300MI0A 20V

Q609	55179210	56	B	so	0	PCE	TR-SLPSWA KTC2874 B N
Q610	55133290	56	B	so	1	PCE	TR-SLPLF KTD1302 B N 300MIOA 20V
Q614	55133250	56	B	so	1	PCE	TR-SLPLF 2SC1740S R N 150MIOA 50V
Q615	55157120	56	B	so	1	PCE	TR-SLPLF KTC2874 A N 300MIOA 20V
Q615	55179210	56	B	so	0	PCE	TR-SLPSWA KTC2874 B N
Q616	55157120	56	B	so	1	PCE	TR-SLPLF KTC2874 A N 300MIOA 20V
Q616	55179210	56	B	so	0	PCE	TR-SLPSWA KTC2874 B N
Q619	55133250	56	B	so	1	PCE	TR-SLPLF 2SC1740S R N 150MIOA 50V
Q620	55101930	56	B	so	1	PCE	TR-SLPLF 2SA933ASR P -3.0A -20V
Q621	55101930	56	B	so	1	PCE	TR-SLPLF 2SA933ASR P -3.0A -20V
Q622	55101930	56	B	so	1	PCE	TR-SLPLF 2SA933ASR P -3.0A -20V
Q623	55101930	56	B	so	1	PCE	TR-SLPLF 2SA933ASR P -3.0A -20V
R617	11059640	16	B	so	1	PCE	RCF 1K0 OHM +5% 250MIOW
R619	11059640	16	B	so	1	PCE	RCF 1K0 OHM +5% 250MIOW
R640	20469460	16	B	so	1	PCE	RCF 2K2 OHM +5% 250MIOW
R674	11059640	16	B	so	1	PCE	RCF 1K0 OHM +5% 250MIOW
R686	50883030	16	B	so	1	PCE	RCF 150K0 OHM +5% 250MIOW
R695	60441550	16	B	so	1	PCE	RCF 330R0 OHM +5% 250MIOW

**PART NO** : 55182750

**TITEL** : AC ESABD SMD VIDEO BD AVR520

Pos	Tocom#	Pkg	M/B	St	Qty	Unit	SName
C608	11058670	91	B	so	1	PCE	CCCFMIN 100P0F +5% -5% 50.0V NP0
C609	11058670	91	B	so	1	PCE	CCCFMIN 100P0F +5% -5% 50.0V NP0
C611	11058670	91	B	so	1	PCE	CCCFMIN 100P0F +5% -5% 50.0V NP0
C612	11058670	91	B	so	1	PCE	CCCFMIN 100P0F +5% -5% 50.0V NP0
C619	11058670	91	B	so	1	PCE	CCCFMIN 100P0F +5% -5% 50.0V NP0
C620	11058670	91	B	so	1	PCE	CCCFMIN 100P0F +5% -5% 50.0V NP0
C629	11059340	91	B	so	1	PCE	CCCFMIN 10N0F +10% -10% 50.0V X7R
C632	11059340	91	B	so	1	PCE	CCCFMIN 10N0F +10% -10% 50.0V X7R
C637	11058670	91	B	so	1	PCE	CCCFMIN 100P0F +5% -5% 50.0V NP0
C638	11058670	91	B	so	1	PCE	CCCFMIN 100P0F +5% -5% 50.0V NP0
C640	11058670	91	B	so	1	PCE	CCCFMIN 100P0F +5% -5% 50.0V NP0
C641	11058670	91	B	so	1	PCE	CCCFMIN 100P0F +5% -5% 50.0V NP0
C642	11058670	91	B	so	1	PCE	CCCFMIN 100P0F +5% -5% 50.0V NP0
C657	20267290	91	B	so	1	PCE	CCCFMIN 100N0F +80% -20% 50.0V Y5V
C658	11058670	91	B	so	1	PCE	CCCFMIN 100P0F +5% -5% 50.0V NP0
C659	11058670	91	B	so	1	PCE	CCCFMIN 100P0F +5% -5% 50.0V NP0
C670	11058670	91	B	so	1	PCE	CCCFMIN 100P0F +5% -5% 50.0V NP0
C673	11059340	91	B	so	1	PCE	CCCFMIN 10N0F +10% -10% 50.0V X7R
C674	40435180	91	B	so	1	PCE	CCCFMIN 47P0F +5% -5% 50.0V NP0
C676	50882360	91	B	so	1	PCE	CCCFMIN 33P0F +5% -5% 50.0V NP0
C681	11058670	91	B	so	1	PCE	CCCFMIN 100P0F +5% -5% 50.0V NP0
C686	11059340	91	B	so	1	PCE	CCCFMIN 10N0F +10% -10% 50.0V X7R
C688	11059330	91	B	so	1	PCE	CCCFMIN 2N2F +10% -10% 50.0V X7R
C690	11059320	91	B	so	1	PCE	CCCFMIN 1N0F +10% -10% 50.0V X7R
C696	11058670	91	B	so	1	PCE	CCCFMIN 100P0F +5% -5% 50.0V NP0
C697	20267290	91	B	so	1	PCE	CCCFMIN 100N0F +80% -20% 50.0V Y5V
CC602	20267290	91	B	so	1	PCE	CCCFMIN 100N0F +80% -20% 50.0V Y5V
CC604	20267290	91	B	so	1	PCE	CCCFMIN 100N0F +80% -20% 50.0V Y5V
CC607	20267290	91	B	so	1	PCE	CCCFMIN 100N0F +80% -20% 50.0V Y5V

CC609	20267290	91	B	so	1	PCE	CCCFMIN 100N0F +80% -20% 50.0V Y5V
CF603	20267290	91	B	so	1	PCE	CCCFMIN 100N0F +80% -20% 50.0V Y5V
CF606	20267290	91	B	so	1	PCE	CCCFMIN 100N0F +80% -20% 50.0V Y5V
CF608	11059440	91	B	so	1	PCE	CCCFMIN 10P0F +0P25F -0P25F 50.0V NP0
CF610	11059440	91	B	so	1	PCE	CCCFMIN 10P0F +0P25F -0P25F 50.0V NP0
CF613	20267290	91	B	so	1	PCE	CCCFMIN 100N0F +80% -20% 50.0V Y5V
CF615	11059440	91	B	so	1	PCE	CCCFMIN 10P0F +0P25F -0P25F 50.0V NP0
D601	20496510	NR	B	so	1	PCE	D-SLP 1SS355 35.0V 225MI0A
D602	20496510	NR	B	so	1	PCE	D-SLP 1SS355 35.0V 225MI0A
D603	20496510	NR	B	so	1	PCE	D-SLP 1SS355 35.0V 225MI0A
D604	20496510	NR	B	so	1	PCE	D-SLP 1SS355 35.0V 225MI0A
D605	20496510	NR	B	so	1	PCE	D-SLP 1SS355 35.0V 225MI0A
D606	20496510	NR	B	so	1	PCE	D-SLP 1SS355 35.0V 225MI0A
D607	20496510	NR	B	so	1	PCE	D-SLP 1SS355 35.0V 225MI0A
D608	20496510	NR	B	so	1	PCE	D-SLP 1SS355 35.0V 225MI0A
D609	20496510	NR	B	so	1	PCE	D-SLP 1SS355 35.0V 225MI0A
D611	20496510	NR	B	so	1	PCE	D-SLP 1SS355 35.0V 225MI0A
D612	20496510	NR	B	so	1	PCE	D-SLP 1SS355 35.0V 225MI0A
D613	20496510	NR	B	so	1	PCE	D-SLP 1SS355 35.0V 225MI0A
D614	20496510	NR	B	so	1	PCE	D-SLP 1SS355 35.0V 225MI0A
D615	20496510	NR	B	so	1	PCE	D-SLP 1SS355 35.0V 225MI0A
IC601	55125370	NR	B	so	1	PCE	IC-SWITCH NJM2296 SOP16 VIDEO
IC602	55125370	NR	B	so	1	PCE	IC-SWITCH NJM2296 SOP16 VIDEO
IC603	55125370	NR	B	so	1	PCE	IC-SWITCH NJM2296 SOP16 VIDEO
IC605	20718660	65	B	so	1	PCE	IC-LOGIC BU4094BF SHIFT REGISTER CMOS
IC606	20718660	65	B	so	1	PCE	IC-LOGIC BU4094BF SHIFT REGISTER CMOS
IC608	20718770	65	B	so	1	PCE	IC-LOGIC BU4053BF MULTIPLEXER CMOS
J025	80440510	91	B	so	1	PCE	RMGCFMIN 0 OHM +0% 100MI0W
J031	80440510	91	B	so	1	PCE	RMGCFMIN 0 OHM +0% 100MI0W
J032	80440510	91	B	so	1	PCE	RMGCFMIN 0 OHM +0% 100MI0W
J033	80440510	91	B	so	1	PCE	RMGCFMIN 0 OHM +0% 100MI0W
J040	80440510	91	B	so	1	PCE	RMGCFMIN 0 OHM +0% 100MI0W
J045	80440510	91	B	so	1	PCE	RMGCFMIN 0 OHM +0% 100MI0W
J058	80440510	91	B	so	1	PCE	RMGCFMIN 0 OHM +0% 100MI0W
J063	80440510	91	B	so	1	PCE	RMGCFMIN 0 OHM +0% 100MI0W
J072	80440510	91	B	so	1	PCE	RMGCFMIN 0 OHM +0% 100MI0W
J073	80440510	91	B	so	1	PCE	RMGCFMIN 0 OHM +0% 100MI0W
J076	80440510	91	B	so	1	PCE	RMGCFMIN 0 OHM +0% 100MI0W
J077	80440510	91	B	so	1	PCE	RMGCFMIN 0 OHM +0% 100MI0W
J079	80440510	91	B	so	1	PCE	RMGCFMIN 0 OHM +0% 100MI0W
J081	80440510	91	B	so	1	PCE	RMGCFMIN 0 OHM +0% 100MI0W
J083	80440510	91	B	so	1	PCE	RMGCFMIN 0 OHM +0% 100MI0W
J086	80440510	91	B	so	1	PCE	RMGCFMIN 0 OHM +0% 100MI0W
J089	80440510	91	B	so	1	PCE	RMGCFMIN 0 OHM +0% 100MI0W
J090	80440510	91	B	so	1	PCE	RMGCFMIN 0 OHM +0% 100MI0W
J091	80440510	91	B	so	1	PCE	RMGCFMIN 0 OHM +0% 100MI0W
J099	80440510	91	B	so	1	PCE	RMGCFMIN 0 OHM +0% 100MI0W
J101	80440510	91	B	so	1	PCE	RMGCFMIN 0 OHM +0% 100MI0W
J116	80440510	91	B	so	1	PCE	RMGCFMIN 0 OHM +0% 100MI0W
J121	80440510	91	B	so	1	PCE	RMGCFMIN 0 OHM +0% 100MI0W
Q601	55051240	92	B	so	0	PCE	TR-SSD KRC107S N 10K0 OHM 47K0 OHM
Q601	55133180	92	B	so	1	PCE	TR-SSD DTC114YKA N 10K0 OHM 47K0 OHM
Q606	55051260	92	B	so	0	PCE	TR-SSD KRA107S P 10K0 OHM 47K0 OHM

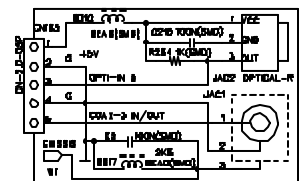
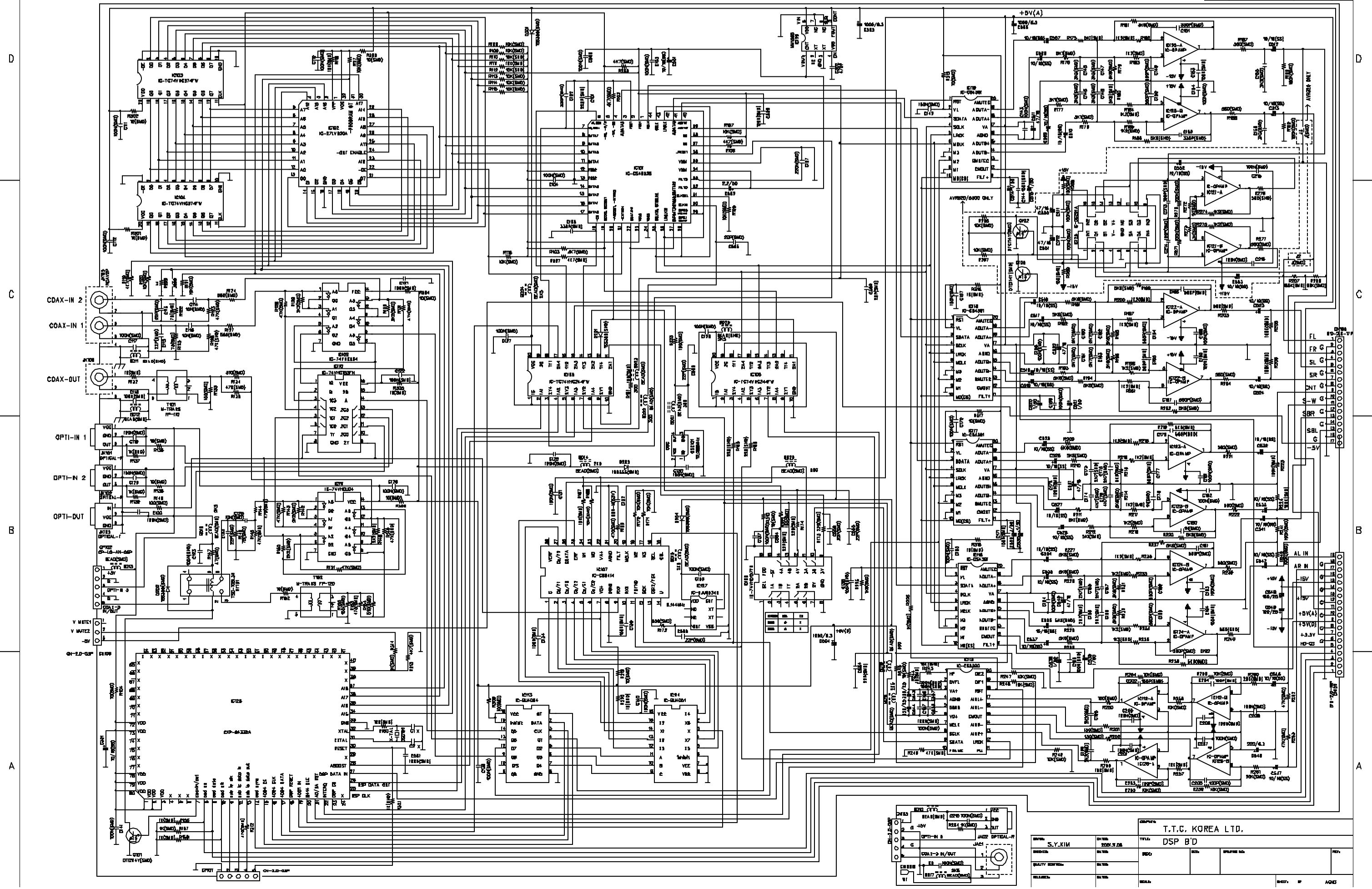


Q606	55133190	92	B	so	1	PCE	TR-SSD DTA114YKA P 10K0 OHM 47K0 OHM
Q607	55051240	92	B	so	0	PCE	TR-SSD KRC107S N 10K0 OHM 47K0 OHM
Q607	55133180	92	B	so	1	PCE	TR-SSD DTC114YKA N 10K0 OHM 47K0 OHM
Q608	55051260	92	B	so	0	PCE	TR-SSD KRA107S P 10K0 OHM 47K0 OHM
Q608	55133190	92	B	so	1	PCE	TR-SSD DTA114YKA P 10K0 OHM 47K0 OHM
Q611	55051240	92	B	so	0	PCE	TR-SSD KRC107S N 10K0 OHM 47K0 OHM
Q611	55133180	92	B	so	1	PCE	TR-SSD DTC114YKA N 10K0 OHM 47K0 OHM
Q613	55051240	92	B	so	0	PCE	TR-SSD KRC107S N 10K0 OHM 47K0 OHM
Q613	55133180	92	B	so	1	PCE	TR-SSD DTC114YKA N 10K0 OHM 47K0 OHM
R608	30944270	91	B	so	1	PCE	RMGCFMIN 68R0 OHM +5% 100MIOW
R609	80440410	91	B	so	1	PCE	RMGCFMIN 7K5 OHM +5% 100MIOW
R610	11066440	91	B	so	1	PCE	RMGCFMIN 3K3 OHM +5% 100MIOW
R612	80440410	91	B	so	1	PCE	RMGCFMIN 7K5 OHM +5% 100MIOW
R613	11066440	91	B	so	1	PCE	RMGCFMIN 3K3 OHM +5% 100MIOW
R614	30944270	91	B	so	1	PCE	RMGCFMIN 68R0 OHM +5% 100MIOW
R615	20471990	91	B	so	1	PCE	RMGCFMIN 12K0 OHM +5% 100MIOW
R618	20471950	91	B	so	1	PCE	RMGCFMIN 1K0 OHM +5% 100MIOW
R621	50886610	91	B	so	1	PCE	RMGCFMIN 10K0 OHM +5% 100MIOW
R622	50886610	91	B	so	1	PCE	RMGCFMIN 10K0 OHM +5% 100MIOW
R623	50886610	91	B	so	1	PCE	RMGCFMIN 10K0 OHM +5% 100MIOW
R624	50886610	91	B	so	1	PCE	RMGCFMIN 10K0 OHM +5% 100MIOW
R625	50886610	91	B	so	1	PCE	RMGCFMIN 10K0 OHM +5% 100MIOW
R626	50886610	91	B	so	1	PCE	RMGCFMIN 10K0 OHM +5% 100MIOW
R627	50886610	91	B	so	1	PCE	RMGCFMIN 10K0 OHM +5% 100MIOW
R628	50886610	91	B	so	1	PCE	RMGCFMIN 10K0 OHM +5% 100MIOW
R629	50886610	91	B	so	1	PCE	RMGCFMIN 10K0 OHM +5% 100MIOW
R632	90574370	91	B	so	1	PCE	RMGCFMIN 82R0 OHM +5% 100MIOW
R633	30944270	91	B	so	1	PCE	RMGCFMIN 68R0 OHM +5% 100MIOW
R634	50886630	91	B	so	1	PCE	RMGCFMIN 100K0 OHM +5% 100MIOW
R635	20471950	91	B	so	1	PCE	RMGCFMIN 1K0 OHM +5% 100MIOW
R636	20471950	91	B	so	1	PCE	RMGCFMIN 1K0 OHM +5% 100MIOW
R637	20471950	91	B	so	1	PCE	RMGCFMIN 1K0 OHM +5% 100MIOW
R638	80440420	91	B	so	1	PCE	RMGCFMIN 33K0 OHM +5% 100MIOW
R639	30944270	91	B	so	1	PCE	RMGCFMIN 68R0 OHM +5% 100MIOW
R641	50886630	91	B	so	1	PCE	RMGCFMIN 100K0 OHM +5% 100MIOW
R642	20471950	91	B	so	1	PCE	RMGCFMIN 1K0 OHM +5% 100MIOW
R643	11066480	91	B	so	1	PCE	RMGCFMIN 47K0 OHM +5% 100MIOW
R644	20471950	91	B	so	1	PCE	RMGCFMIN 1K0 OHM +5% 100MIOW
R650	80440410	91	B	so	1	PCE	RMGCFMIN 7K5 OHM +5% 100MIOW
R651	20471950	91	B	so	1	PCE	RMGCFMIN 1K0 OHM +5% 100MIOW
R652	11066440	91	B	so	1	PCE	RMGCFMIN 3K3 OHM +5% 100MIOW
R653	30944270	91	B	so	1	PCE	RMGCFMIN 68R0 OHM +5% 100MIOW
R661	80440510	91	B	so	1	PCE	RMGCFMIN 0 OHM +0% 100MIOW
R662	80440510	91	B	so	1	PCE	RMGCFMIN 0 OHM +0% 100MIOW
R665	50886610	91	B	so	1	PCE	RMGCFMIN 10K0 OHM +5% 100MIOW
R666	80440430	91	B	so	1	PCE	RMGCFMIN 43K0 OHM +5% 100MIOW
R670	80440510	91	B	so	1	PCE	RMGCFMIN 0 OHM +0% 100MIOW
R677	20471950	91	B	so	1	PCE	RMGCFMIN 1K0 OHM +5% 100MIOW
R678	20471950	91	B	so	1	PCE	RMGCFMIN 1K0 OHM +5% 100MIOW
R679	20471950	91	B	so	1	PCE	RMGCFMIN 1K0 OHM +5% 100MIOW
R680	40438300	91	B	so	1	PCE	RMGCFMIN 6K8 OHM +5% 100MIOW
R681	80440390	91	B	so	1	PCE	RMGCFMIN 2K2 OHM +5% 100MIOW
R682	50886610	91	B	so	1	PCE	RMGCFMIN 10K0 OHM +5% 100MIOW

R683	11066460	91	B	so	1	PCE	RMGCFMIN 8K2 OHM +5% 100MIOW
R684	11066500	91	B	so	1	PCE	RMGCFMIN 68K0 OHM +5% 100MIOW
R685	70434200	91	B	so	1	PCE	RMGCFMIN 100R0 OHM +5% 100MIOW
R687	60444420	91	B	so	1	PCE	RMGCFMIN 150K0 OHM +5% 100MIOW
R688	50886670	91	B	so	1	PCE	RMGCFMIN 1M0 OHM +5% 100MIOW
R689	60444370	91	B	so	1	PCE	RMGCFMIN 180R0 OHM +5% 100MIOW
R690	30944270	91	B	so	1	PCE	RMGCFMIN 68R0 OHM +5% 100MIOW
R691	30944250	91	B	so	1	PCE	RMGCFMIN 10R0 OHM +5% 100MIOW
R692	80440510	91	B	so	1	PCE	RMGCFMIN 0 OHM +0% 100MIOW
R693	60444370	91	B	so	1	PCE	RMGCFMIN 180R0 OHM +5% 100MIOW
R694	50886670	91	B	so	1	PCE	RMGCFMIN 1M0 OHM +5% 100MIOW
R696	40438350	91	B	so	1	PCE	RMGCFMIN 470K0 OHM +5% 100MIOW
R697	40438350	91	B	so	1	PCE	RMGCFMIN 470K0 OHM +5% 100MIOW
R698	50886610	91	B	so	1	PCE	RMGCFMIN 10K0 OHM +5% 100MIOW
R699	20471990	91	B	so	1	PCE	RMGCFMIN 12K0 OHM +5% 100MIOW
RC601	30944250	91	B	so	1	PCE	RMGCFMIN 10R0 OHM +5% 100MIOW
RC602	90574370	91	B	so	1	PCE	RMGCFMIN 82R0 OHM +5% 100MIOW
RC603	30944250	91	B	so	1	PCE	RMGCFMIN 10R0 OHM +5% 100MIOW
RC604	90574370	91	B	so	1	PCE	RMGCFMIN 82R0 OHM +5% 100MIOW
RC606	90574370	91	B	so	1	PCE	RMGCFMIN 82R0 OHM +5% 100MIOW
RC607	90574370	91	B	so	1	PCE	RMGCFMIN 82R0 OHM +5% 100MIOW
RC608	30944250	91	B	so	1	PCE	RMGCFMIN 10R0 OHM +5% 100MIOW
RC609	30944250	91	B	so	1	PCE	RMGCFMIN 10R0 OHM +5% 100MIOW
RC610	90574370	91	B	so	1	PCE	RMGCFMIN 82R0 OHM +5% 100MIOW
RC612	90574370	91	B	so	1	PCE	RMGCFMIN 82R0 OHM +5% 100MIOW
RC614	30944270	91	B	so	1	PCE	RMGCFMIN 68R0 OHM +5% 100MIOW
RF601	80440370	91	B	so	1	PCE	RMGCFMIN 150R0 OHM +5% 100MIOW
RF602	30944250	91	B	so	1	PCE	RMGCFMIN 10R0 OHM +5% 100MIOW
RF603	80440370	91	B	so	1	PCE	RMGCFMIN 150R0 OHM +5% 100MIOW
RF604	30944250	91	B	so	1	PCE	RMGCFMIN 10R0 OHM +5% 100MIOW
RF606	50886610	91	B	so	1	PCE	RMGCFMIN 10K0 OHM +5% 100MIOW
RF608	50886610	91	B	so	1	PCE	RMGCFMIN 10K0 OHM +5% 100MIOW
RF610	50886610	91	B	so	1	PCE	RMGCFMIN 10K0 OHM +5% 100MIOW
RF611	80440370	91	B	so	1	PCE	RMGCFMIN 150R0 OHM +5% 100MIOW
RF612	30944250	91	B	so	1	PCE	RMGCFMIN 10R0 OHM +5% 100MIOW
RF615	30944260	91	B	so	1	PCE	RMGCFMIN 22R0 OHM +5% 100MIOW
RF616	30944260	91	B	so	1	PCE	RMGCFMIN 22R0 OHM +5% 100MIOW
RF617	30944260	91	B	so	1	PCE	RMGCFMIN 22R0 OHM +5% 100MIOW
RS602	90574370	91	B	so	1	PCE	RMGCFMIN 82R0 OHM +5% 100MIOW
RS603	90574370	91	B	so	1	PCE	RMGCFMIN 82R0 OHM +5% 100MIOW
RS605	90574370	91	B	so	1	PCE	RMGCFMIN 82R0 OHM +5% 100MIOW
RS606	90574370	91	B	so	1	PCE	RMGCFMIN 82R0 OHM +5% 100MIOW
RS608	90574370	91	B	so	1	PCE	RMGCFMIN 82R0 OHM +5% 100MIOW
RS609	90574370	91	B	so	1	PCE	RMGCFMIN 82R0 OHM +5% 100MIOW
RS611	90574370	91	B	so	1	PCE	RMGCFMIN 82R0 OHM +5% 100MIOW
RS612	90574370	91	B	so	1	PCE	RMGCFMIN 82R0 OHM +5% 100MIOW
RS620	90574370	91	B	so	1	PCE	RMGCFMIN 82R0 OHM +5% 100MIOW
RS621	90574370	91	B	so	1	PCE	RMGCFMIN 82R0 OHM +5% 100MIOW
RS622	90574370	91	B	so	1	PCE	RMGCFMIN 82R0 OHM +5% 100MIOW
RS623	90574370	91	B	so	1	PCE	RMGCFMIN 82R0 OHM +5% 100MIOW

# SCHEMATIC DIAGRAM AVR320/520/4500/5500 DSP B'D

REV	DATE	BY	CHKD

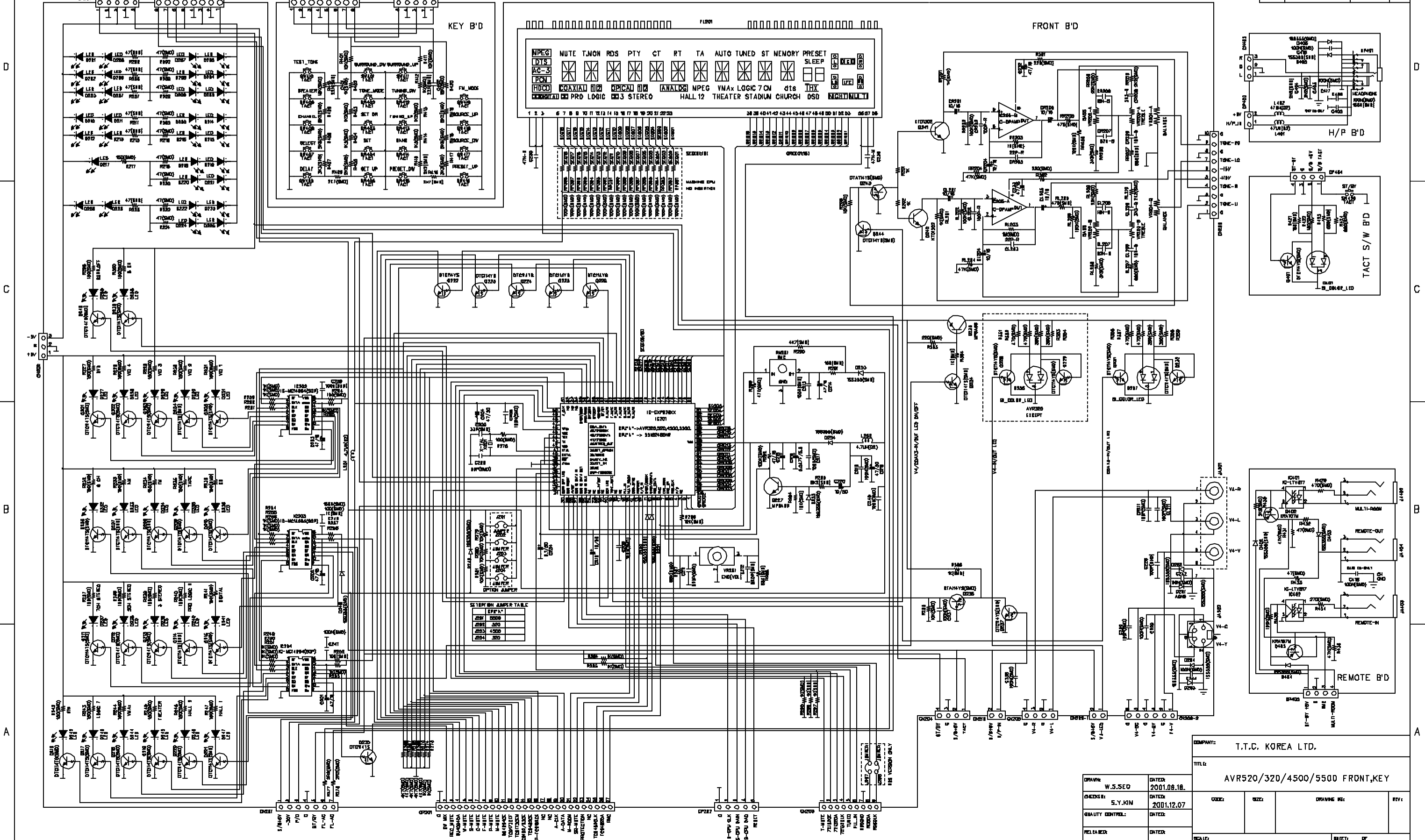


DESIGNER	S.Y.KIM	DATE	2008.3.28
DRWING			
CHECKER			

T.T.G. KOREA LTD.  
DSP B'D

# SCHEMATIC DIAGRAM

REVISION RECORD			
LTR	REV. NO.	APPROVED	DATE



**STEREO AMPER TABLE**

EPFLA	EPFLA
1000	1000
2000	2000
3000	3000
4000	4000
5000	5000

DRAWN: W.S.SEO	DATED: 2001.08.18
CHECKED: S.Y.KIM	DATED: 2001.12.07
QUALITY CONTROL:	DATED:
RELEASED:	DATED:

COMPANY: T.T.C. KOREA LTD.			
TITLE: AVR520/320/4500/5500 FRONT KEY			
CODE:	SIZE:	DRAWING NO.:	REV.:
SCALE:	SHEET: 01		

6

5

4

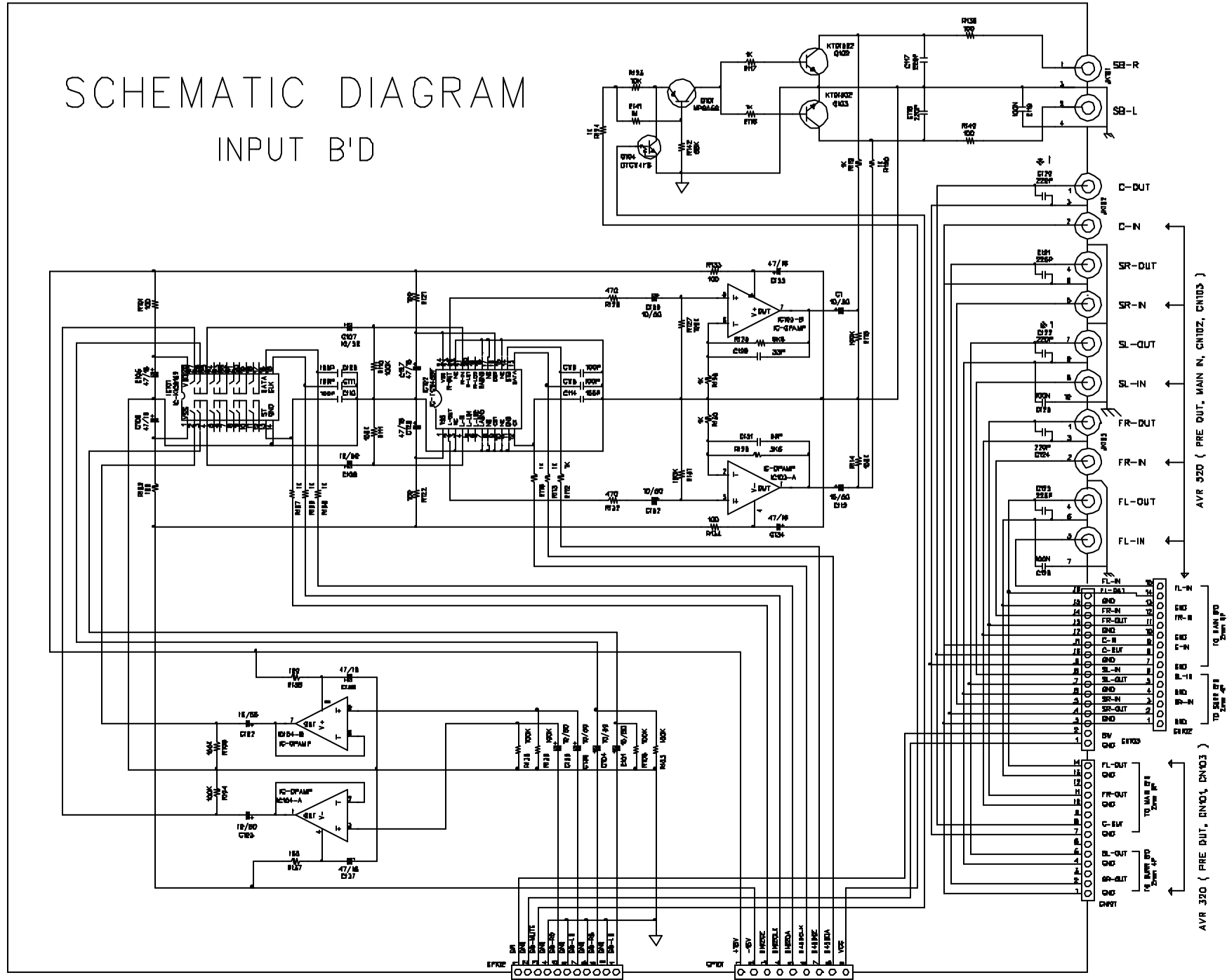
3

2

1

REVISION RECORD			
LTR	REV. NO.	APPROVED	DATE

# SCHEMATIC DIAGRAM INPUT B'D



\* 1 OPTION

VERSION	IL / CSA	CC / CB
001/2011.02.20	X	0
002/2011.02.24		

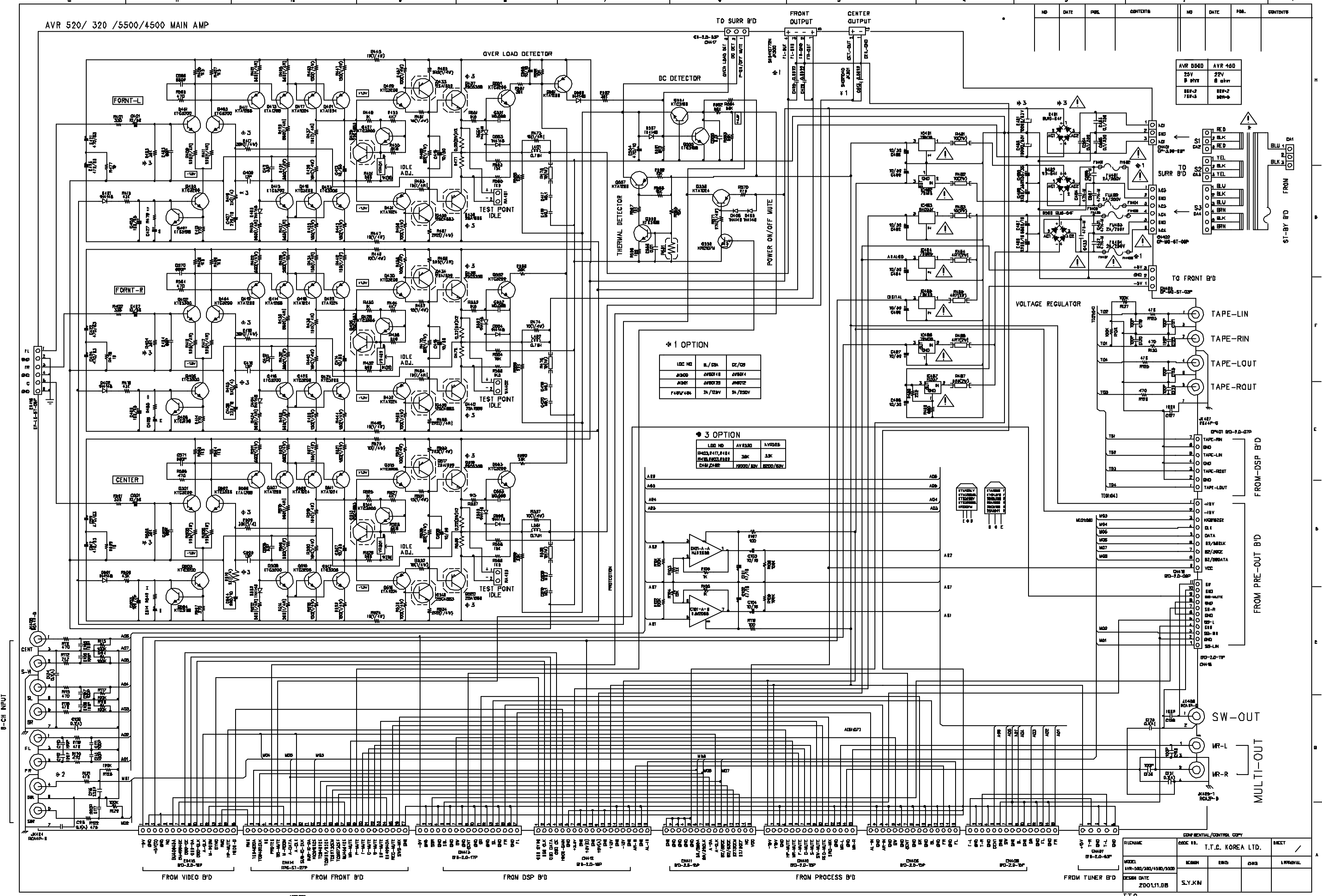
COMPANY: T.T.C. KOREA LTD.			
TITLE: AVR520/320 /4500/5500 INPUT			
DRAWN BY: W.S.SED	DATE: 2001.09.18.	CODE:	SIZE:
CHECKER: S.Y.KIM	DATE: 2001.11.08.	DRAWING NO.:	REV.:
QUALITY CONTROL:	DATE:		
RELEASED:	DATE:	SCALE:	SHEET: 01

DRAWN BY: W.S.SED	DATE: 2001.09.18.
CHECKER: S.Y.KIM	DATE: 2001.11.08.
QUALITY CONTROL:	DATE:
RELEASED:	DATE:

AVR 520/ 320 /5500/4500 MAIN AMP

NO	DATE	REV.	CONTENTS	NO	DATE	REV.	CONTENTS

AVR 5500	AVR 400
23V	22V
8 BYT	8 BYT
REF-2	REF-2
78P-A	88P-B



\* 1 OPTION

LOC NO	U. / CH	DC / CR
3000	AV50118	AV50114
3001	AV50123	AV50122
F4001404	2A / 25V	3A / 250V

\* 3 OPTION

LOC NO	AV 50100	AV 50105
R401, R17, R184	5K	5K
R401, R402, R403	10000 / 50V	10000 / 50V

CONFIDENTIAL/CONTROL COPY

FILENAME	DATE	BY	APPROVAL
AVR-520/320/5500/4500	2001.11.05	S.Y.KIM	

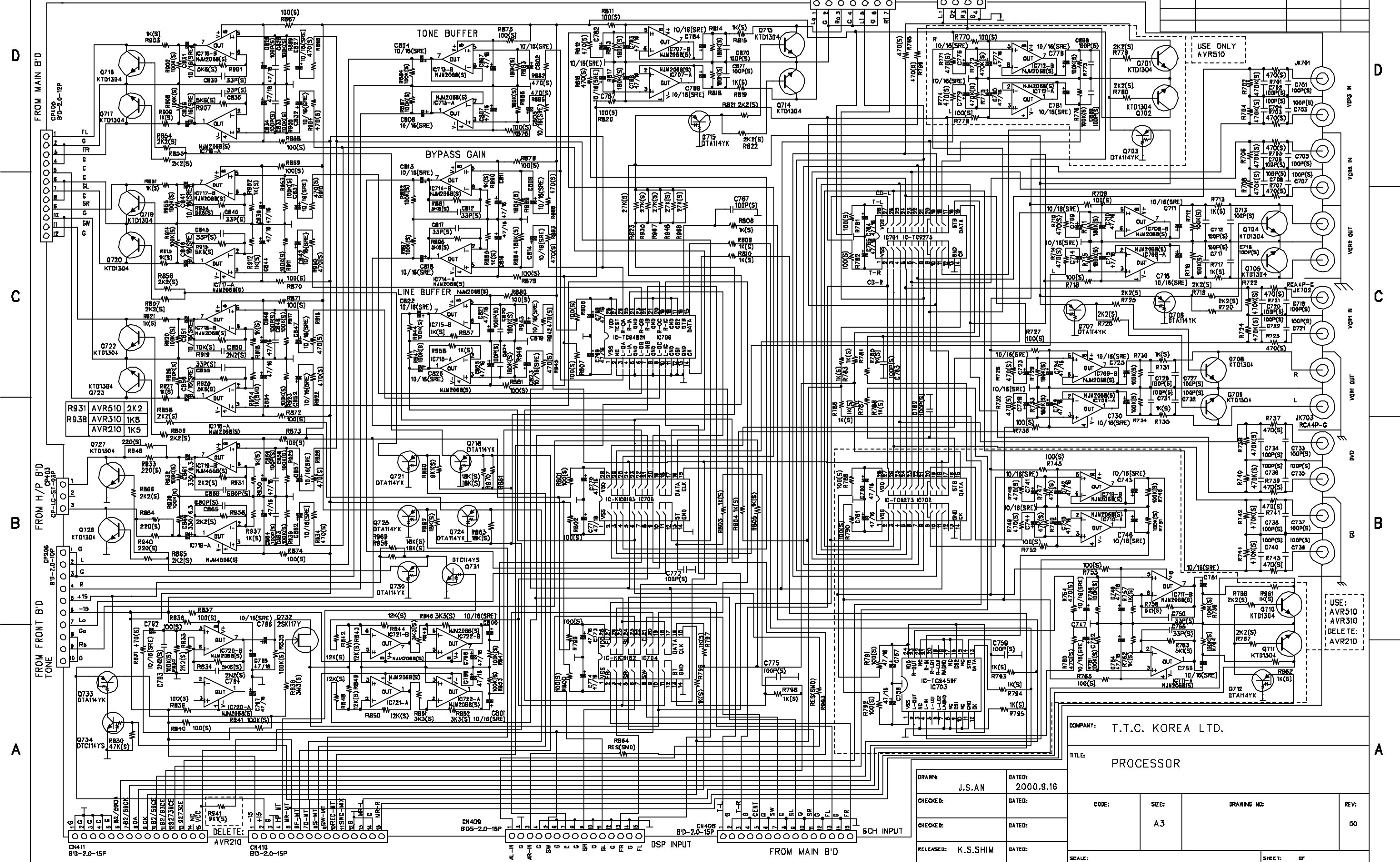
AVR320/520/4500/5500

# SCHEMATIC DIAGRAM

FROM TAPE B'D  
CP-LC-ST-07P  
CP404  
CP205  
FROM FRONT B'D  
CP-LC-ST-04P

# MP

REVISION RECORD			
LTR	EDS NO.	APPROVED:	DATE:



COMPANY: T.T.C. KOREA LTD.

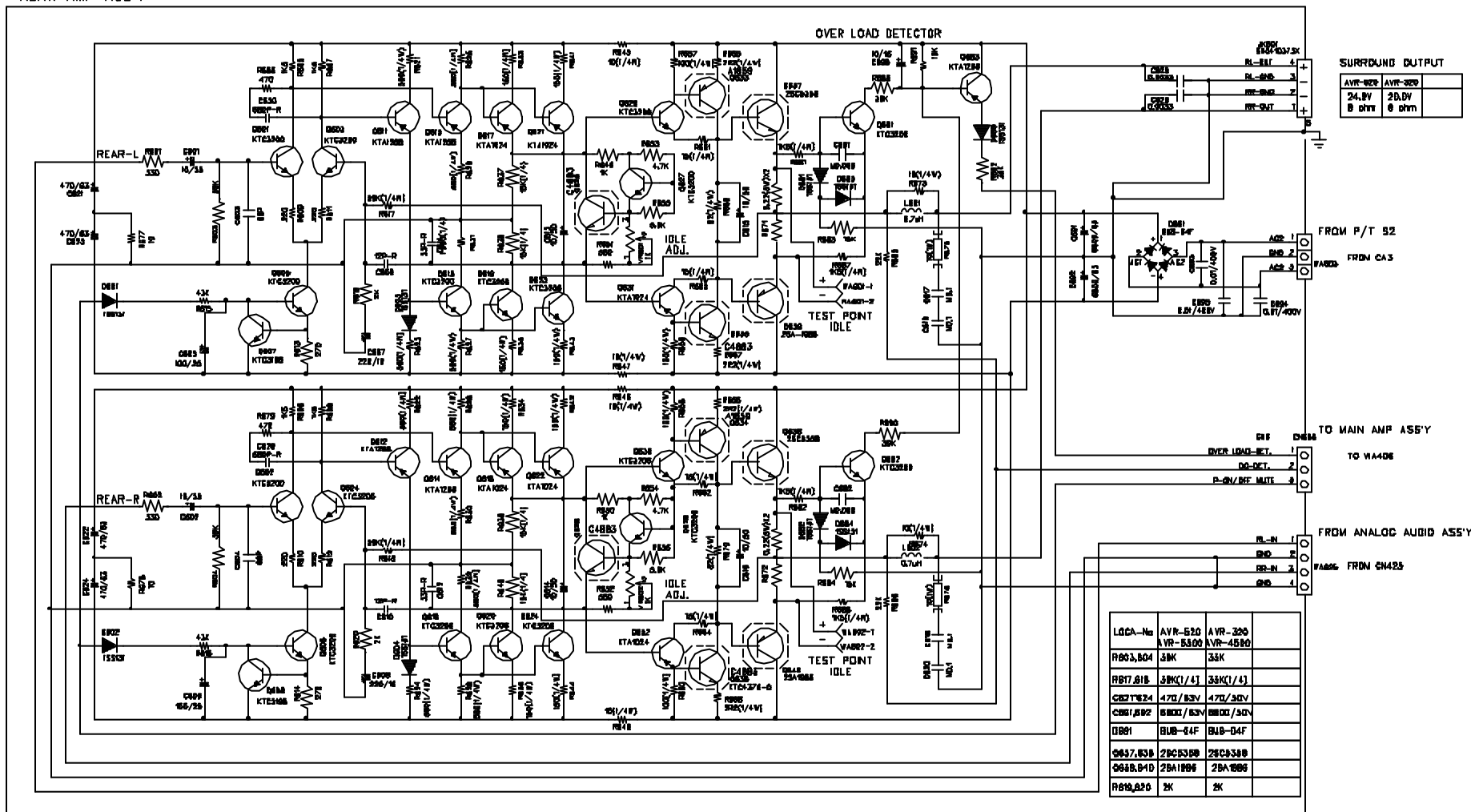
TITLE: PROCESSOR

DRAWN: J.S.AN	DATE: 2000.9.16
CHECKED:	DATE:
CHECKED:	DATE:
RELEASED: K.S.SHIM	DATE:

CODE:	SIZE: A3	DRAWING NO:	REV: 00
SCALE:		SHEET: 01	

# SURROUND AMP SCHEMATIC DIAGRAM

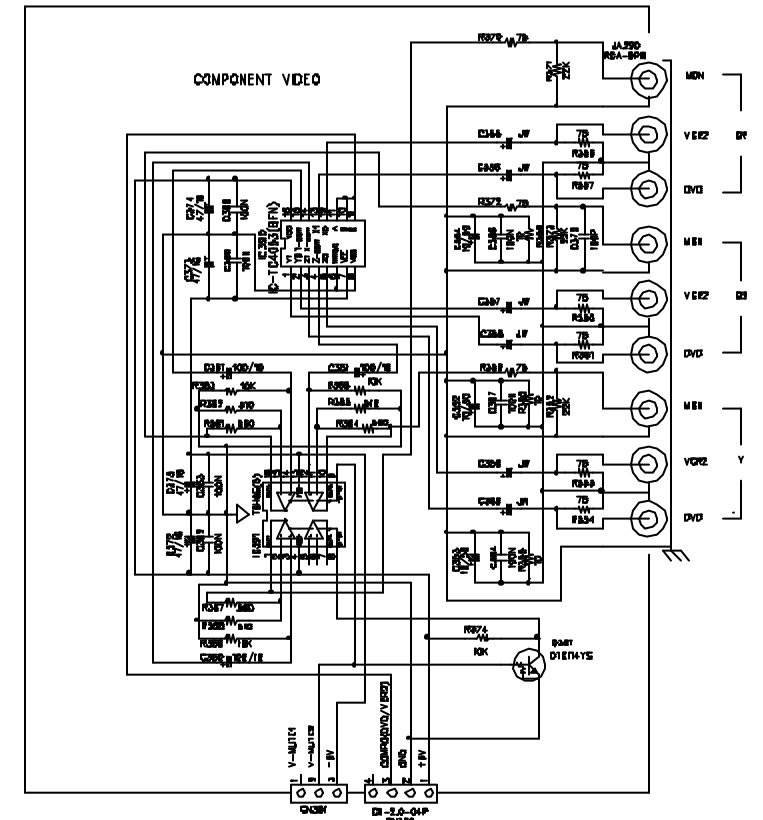
REAR AMP ASS'Y



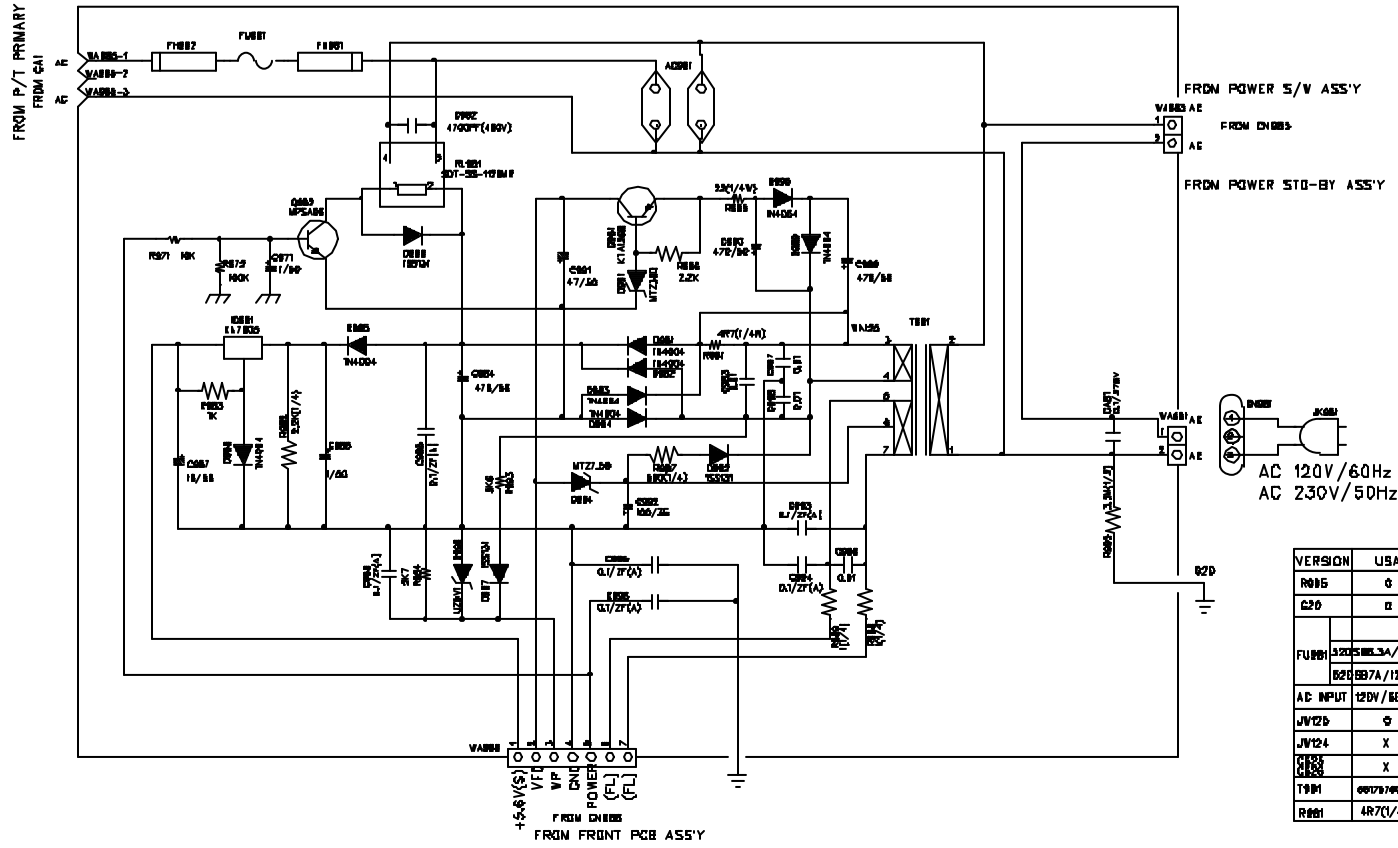
**SURROUND OUTPUT**

AVR-222	AVR-229
24.0V	20.0V
0.0V	0.0V

LDCA-10	AVR-520	AVR-300
R803,804	AVR-500	AVR-4500
R817,818	33K(1/4)	33K(1/4)
C827,828	470/50V	470/50V
C881,882	5000/50V	5000/50V
D881	51B-54F	51B-54F
C827,828	28C5308	28C5308
C848,849	28A1896	28A1896
R810,820	2K	2K



SUB POWER SUPPLY ASS'Y



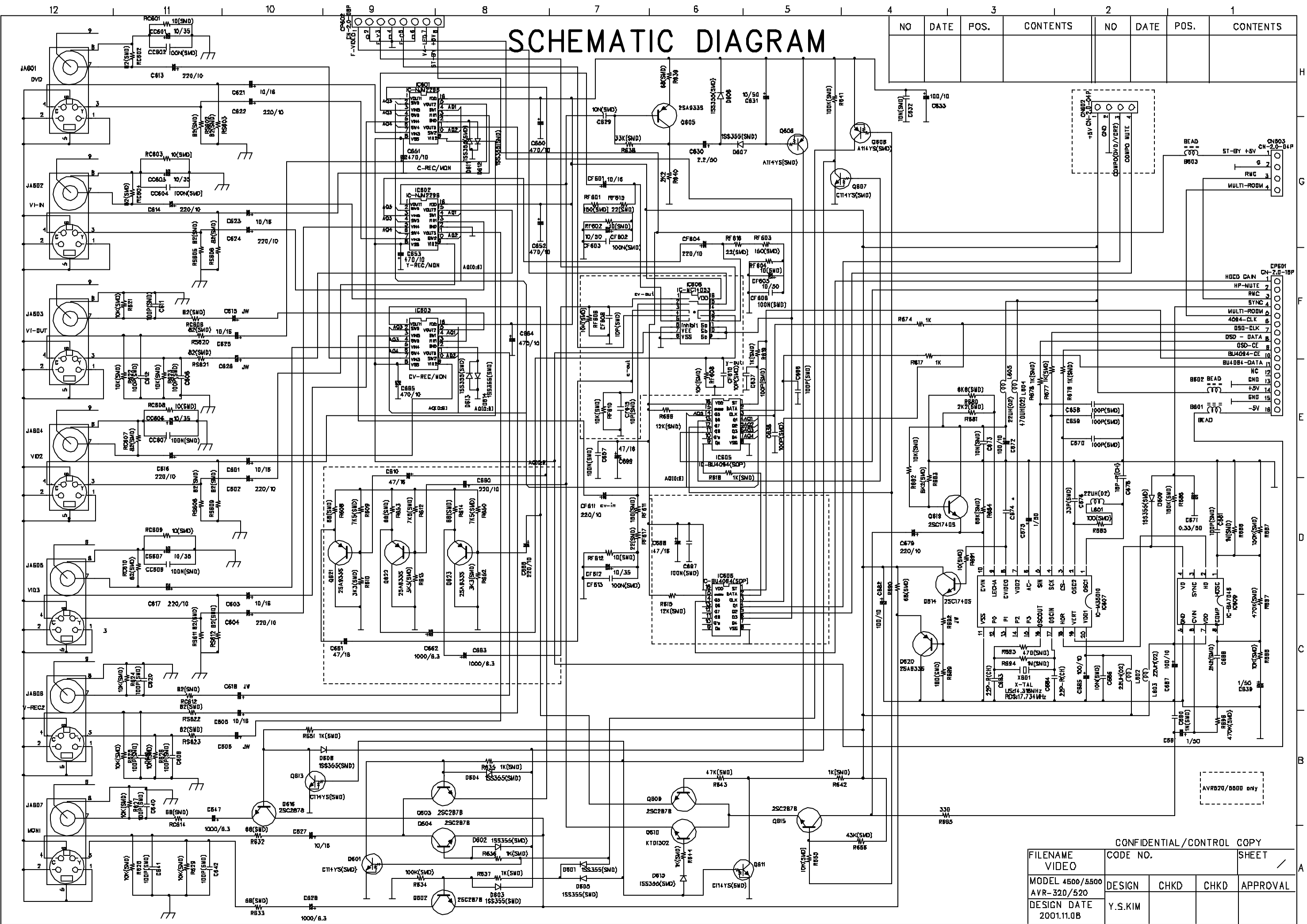
VERSION	USA	EU
R005	Q	X
G20	Q	X
FU001	320/500.3A/125V	T4A/250V
	500/500.7A/125V	T8A/250V
AC INPUT	120V/60Hz	230V/50Hz
JW125	Q	X
JW124	X	Q
CH001	X	Q
T801	4R7(L/4W)	5R0(L/2W)

CONFIDENTIAL/CONTROL COPY

FILENAME	CODE NO.	SHEET	
SURROUND		1 / 1	
MODEL	DESIGN	CHKD	APPROVAL
AVR-520/500/4500/4500			
DESIGN DATE	S.Y.KIM		
01.12.07			



# SCHEMATIC DIAGRAM



NO	DATE	CONTENTS	NO	DATE	CONTENTS

CP501	HOOD CAN	CH 2.0-10P
CP502	HP-MUTE	2
CP503	RMC	3
CP504	5YNC	4
CP505	MULTI-RODM	5
CP506	4084-CLK	6
CP507	050-CLK	7
CP508	DSD - DATA	8
CP509	BU4084-CE	10
CP510	BU4084-DATA	11
CP511	NC	12
CP512	END	13
CP513	+5V	14
CP514	END	15
CP515	-5V	16
CP516	READ	17

CONFIDENTIAL/CONTROL COPY			
FILENAME	CODE NO.	SHEET	
VIDEO			
MODEL 4500/5500	DESIGN	CHKD	APPROVAL
AVR-320/520			
DESIGN DATE	Y.S.KIM		
2001.11.08			