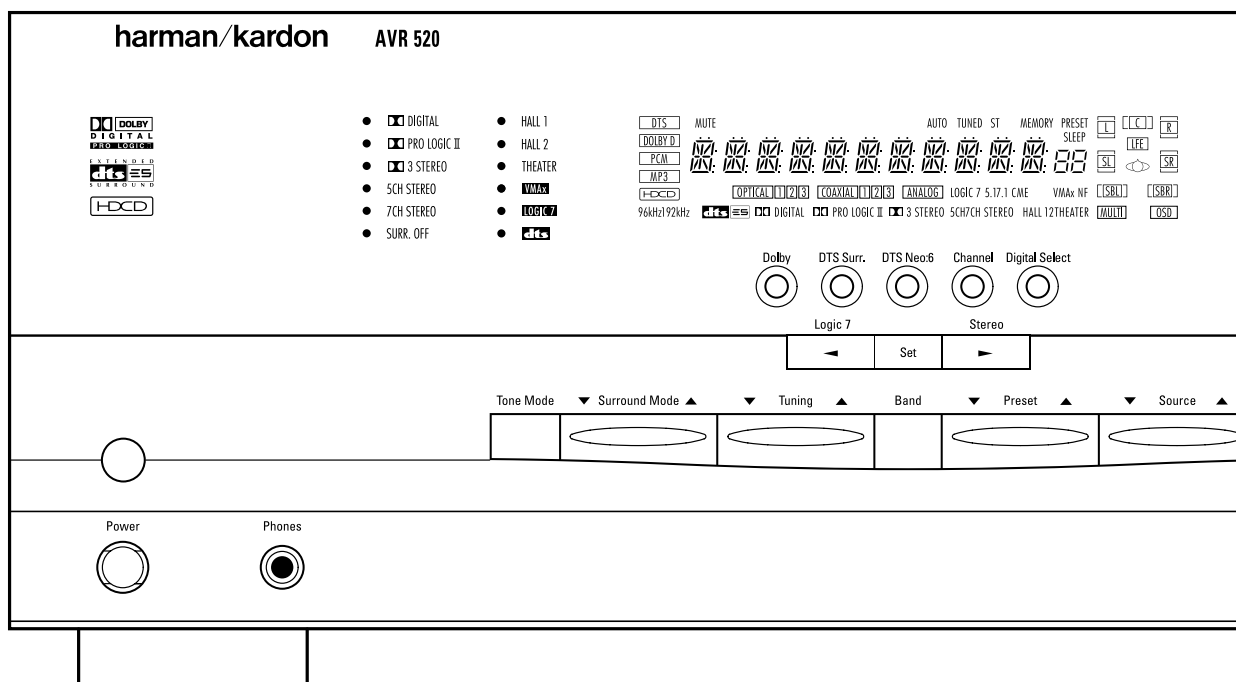


AVR 5500 Audio/Video Receiver

SERVICE MANUAL



harman/kardon®

Power for the Digital Revolution.™

Technical Specifications

Audio Section

Stereo Mode

Continuous Average Power (FTC)

85 Watts per channel, 20Hz–20kHz,
@ < 0.07% THD, both channels driven into 8 ohms

Five-Channel Surround Modes

Power Per Individual Channel

Front L&R channels:
75 Watts per channel
@ < 0.07% THD, 20Hz–20kHz into 8 ohms

Center channel:
75 Watts @ < 0.07% THD, 20Hz–20kHz into 8 ohms

Surround channels:
75 Watts per channel
@ < 0.07% THD, 20Hz–20kHz into 8 ohms

Input Sensitivity/Impedance

Linear (High-Level) 200mV/47k ohms

Signal-to-Noise Ratio (IHF-A) 95dB

Surround System Adjacent Channel Separation

Analog Decoding 40dB
(Pro Logic II, etc.)

Dolby Digital (AC-3) 55dB
DTS 55dB

Frequency Response

@ 1W (+0dB, –3dB) 10Hz – 100kHz

High Instantaneous

Current Capability (HCC) ±45 Amps

Transient Intermodulation

Distortion (TIM) Unmeasurable

Rise Time 16 µsec

Slew Rate 40V/µsec

FM Tuner Section

Frequency Range 87.5–108MHz
Usable Sensitivity IHF 1.3 µV/13.2dBf
Signal-to-Noise Ratio Mono/Stereo 70/68dB
Distortion Mono/Stereo 0.2/0.3%
Stereo Separation 40dB @ 1kHz
Selectivity ±400kHz, 70dB
Image Rejection 80dB
IF Rejection 90dB
Tuner Output Level 1kHz, ±75kHz Dev 500mV

AM Tuner Section

Frequency Range 520–1710kHz
Signal-to-Noise Ratio 45dB
Usable Sensitivity Loop 500µV
Distortion 1kHz, 50% Mod 0.8%
Selectivity ±10kHz, 30dB

Video Section

Television Format PAL
Input Level/Impedance 1Vp-p/75 ohms
Output Level/Impedance 1Vp-p/75 ohms
Video Frequency Response
(Composite and S) 10Hz–8MHz (–3dB)
Video Frequency Response
(Component) 10Hz–35MHz (–3dB)

General

Power Requirement AC 230V/50Hz
Power Consumption W idle, W maximum
(2 channels driven)

Dimensions (Max)

Width 17.3 inches (440mm)
Height 6.5 inches (165mm)
Depth 17.1 inches (435mm)

Weight 35 lb (15.9 kg)

Depth measurement includes knobs, buttons and terminal connections.

Height measurement includes feet and chassis.

All features and specifications are subject to change without notice.

Harman Kardon is a registered trademark, and Power for the Digital Revolution is a trademark, of Harman Kardon, Inc.

IIIIEzSet is a trademark of Harman International Industries, Inc. (Patent No. 5,386,478).

*Manufactured under license from Dolby Laboratories.

"Dolby," "Pro Logic," "Pro Logic II" and the Double-D symbol are trademarks of Dolby Laboratories. Confidential Unpublished Works. ©1992–1999 Dolby Laboratories, Inc. All rights reserved.

DTS, DTS Surround, DTS-ES and DTS Neo:6 are trademarks of Digital Theater Systems, Inc.

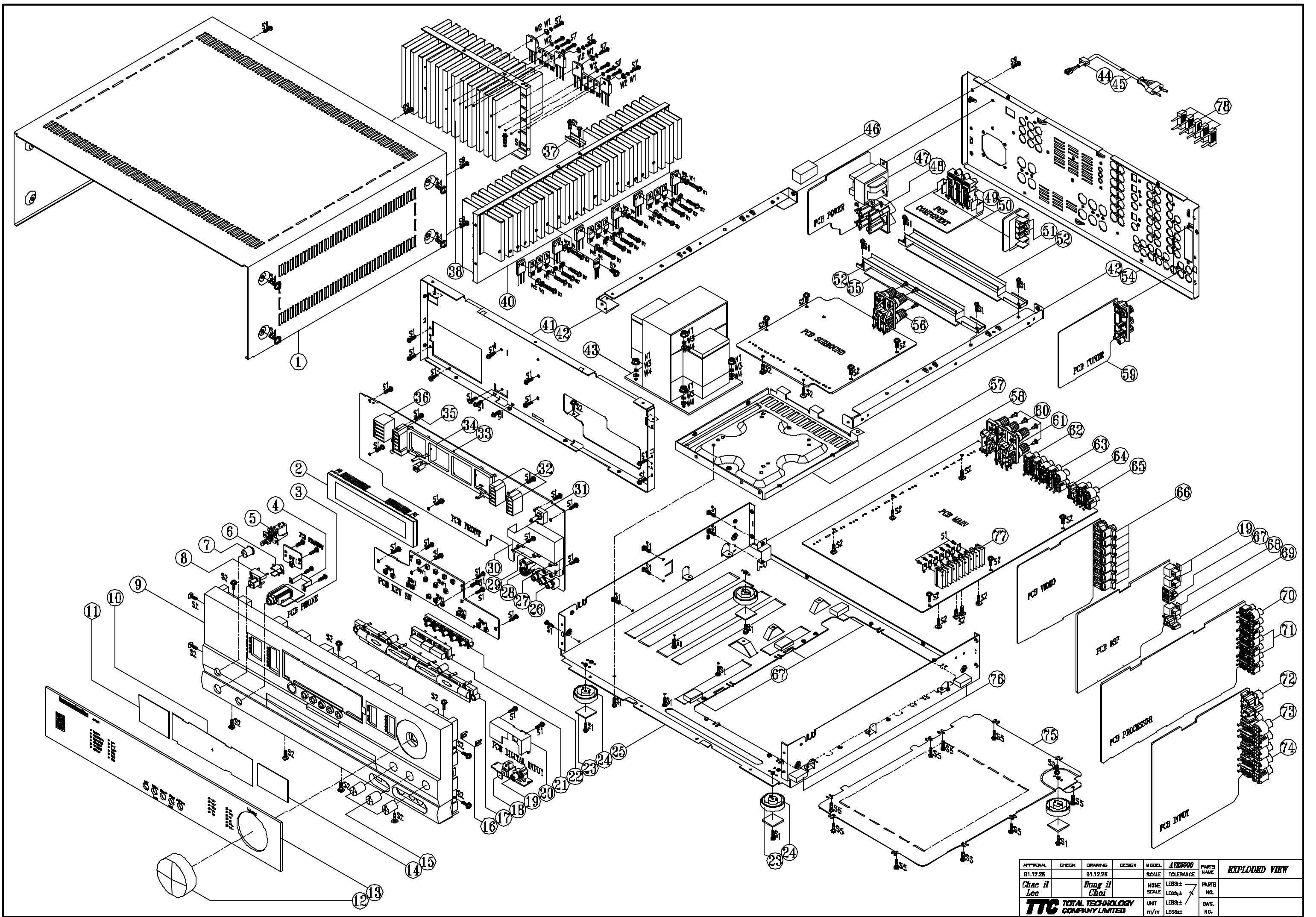
UltraStereo is a trademark of UltraStereo Corp.

VMAx is a registered trademark of Harman International Industries, Inc., and is an implementation of Cooper Bauck Transaural Stereo under patent license.

Logic 7 is a registered trademark of Lexicon, Inc.

Crystal is a registered trademark of Cirrus Logic Corp.

HDCD system manufactured under license from Pacific Microsonics, Inc. This product is covered by one or more of the following: In the USA: 5,479,168; 5,638,074; 5,640,161; 5,808,574; 5,838,274; 5,854,600; 5,864,311; 5,872,531; and in Australia: 669114. Other patents pending.



| APPROVAL | CHECK | DRAWING | DESIGN | MODEL | AVI8500 | PARTS NAME | EXPLODED VIEW |
|----------|-------|----------|--------|-------|-----------|------------|---------------|
| B1.12.25 | | B1.12.25 | | SCALE | TOLERANCE | PARTS | |
| Chac il | | Dong il | | NONE | LESB± | NL | |
| Lec | | Choi | | SCALE | LESB± | DWG. | |
| | | | | UNIT | LESB± | NO. | |
| | | | | m/m | LESB± | | |

TTC TOTAL TECHNOLOGY COMPANY LIMITED

AVR5500 EXPLODED VIEW PART LIST

| NO. | TOCMM# | QTY | SNAME |
|-----|------------|-----|---|
| 1 | 55178050XX | 1 | AC PUN COVER TOP |
| 2 | 55182450NR | 1 | DISPLAY VFD HVA-16LL18 |
| 3 | 55088400XX | 1 | CONN-PHJAC 6.35 ST HDRZ EST-J6313 BK D O |
| 4 | 55124350XX | 1 | AC PUN BRACKET HEADPHONE |
| 5 | 55178000NR | 1 | SW PUSH POWER SWITCH 5.0A 250.0V 160M00HM 1T 2P |
| 6 | 55178020XX | 1 | AC MLD BUTTON INDICATOR STAND-BY |
| 7 | 55177810XX | 1 | AC DEC BUTTON POWER |
| 8 | 55177820XX | 1 | AC DEC BUTTON STANDBY |
| 9 | 55262380XX | 1 | AC DEC CABINET PANEL FRONT AVR5500 |
| 10 | 55177800XX | 1 | AC DEC CRYSTAL FILTER DISPLAY |
| 11 | 55181580XX | 1 | AC NON-METAL DIFFUSER 0.2T 62.5*41 WH |
| 12 | 55177740XX | 1 | AC DEC KNOB MAIN HPS 94H |
| 13 | 55247230XX | 1 | AC DEC CRYSTAL DISPLAY AVR5500 |
| 14 | 55177890XX | 1 | AC NON-METAL DIFFUSER 0.2T 58.8*41 WH |
| 15 | 55177750XX | 3 | AC DEC KNOB TONE |
| 16 | 55178030XX | 2 | AC MLD BUTTON INDICATOR VIDEO 4 |
| 17 | 55177790XX | 1 | AC DEC BUTTON 7 KEY |
| 18 | 55125440XX | 3 | D-LEM T0TX1788 RD RND CL |
| 19 | 55175240XX | 1 | CON PHONO SCKT RCA 1P W/GND JED10003MG |
| 20 | 55182550XX | 1 | AC PUN SHIELD DIGITAL ET |
| 21 | 55177760XX | 1 | AC DEC BUTTON 3 KEY |
| 22 | 55177780XX | 1 | AC DEC BUTTON 5 KEY |
| 23 | 55174780XX | 4 | AC FOOT RUBBER ROUND 3.0MM 25.0MM JIS 80 Y DIA |
| 24 | 55178110XX | 4 | AC FOOT ASSY ROUND 12.5MM 50MM |
| 25 | 55178070XX | 1 | AC CPL CABINET CHASSIS MAIN SECC 1.0T |
| 26 | 55113740XX | 1 | CON PHONO SCKT RCA-307 3 PINS |
| 27 | 5517991000 | 2 | FR-ROT 100K0 OHM NON-LINEAR RK14K12400BQ O O |
| 28 | 55113800XX | 1 | CON DIN SCKT SOCKET CONNECTOR SVHS EST-S40BJ |
| 29 | 5517992000 | 1 | FR-ROT 100K0 OHM NON-LINEAR RK14K12400BR O O |
| 30 | 55177570XX | 1 | AC PUN SHIELD FENCE TONE |
| 31 | 55134900NR | 1 | SWROT EC16824264AB 0V 00000A 10T 3P O O |
| 32 | 55178840XX | 2 | AC PLASTIC MOLD REFRACTOR E WH |
| 33 | 55178440XX | 1 | AC MLD HOLDER FL-GUIDE |
| 34 | 55156830XX | 1 | IC-REMOTE RPN6838-RSIP-A3 RECEIVER 38KHZ |
| 35 | 55177980XX | 1 | AC PLASTIC MOLD REFRACTOR C WH |
| 36 | 55178830XX | 1 | AC PLASTIC MOLD REFRACTOR F WH |
| 37 | 55256710XX | | AC PUN BRACKET HEATSINK SECC1.2T |
| 38 | 55181790XX | 1 | AC METAL HEATSINK(SURR) |
| 39 | BLANK | | |
| 40 | 55181780XX | 1 | AC METAL HEATSINK(MAIN) |
| 41 | 55178250XX | 1 | AC CPL CABINET CHASSIS FRONT SECC 1.0T |
| 42 | 55178170XX | 2 | AC PUN BRACKET FRAME-GUIDE SECC T1.0 |
| 43 | 55183810NR | 1 | TF-LAM POWER-TURNFORMER 230V |
| 44 | 55125180XX | 1 | AC MLD CLAMP AC CORD |
| 45 | 55188880XX | 1 | WIRE-MCRDM 0.75MM2 1830MM BK CORD POWER CE |
| 46 | 55178400XX | 1 | AC BUFFER CUSHION (A) EVA |
| 47 | 55156850NR | 1 | TF-LAM POWER-TURNFORMER 230V |
| 48 | 55246780NR | 1 | CONN-SPE AC OUTLET 2P 220V |
| 49 | 55176380XX | 1 | CON PHONO SCKT RCA 9P W/GND CAP JK090122LN |
| 50 | 55178420XX | 4 | AC PUN BRACKET BKT GROUND ET 0.5T |
| 51 | 55176390XX | 3 | CON PHONO SCKT STEREO JACK JW3905 |
| 52 | 55178230XX | 2 | AC PUN BRACKET PCB |
| 53 | BLANK | | |
| 54 | 55247250XX | 1 | AC CPL REAR PANEL AVR5500 |
| 55 | 55178300XX | 3 | AC BUFFER CUSHION-BRKT EVA |
| 56 | 55181380XX | 1 | CONN-SPE TERMINAL SPKR 4P SHD410376P |
| 57 | 55178890XX | 1 | AC PUN COVER TRANS BOTTOM T1.0 |
| 58 | 55262430XX | 1 | AC PUN BRACKET PROTECT |
| 59 | 55227740XX | 1 | AC VSA ASY KST-M1114MW1-80 TU MODULE |
| 60 | 55261080XX | 10 | AC PLASTIC KNOB CORK SHD8M79080 BK |
| 61 | 55191480XX | 1 | CONN-SPE TERMINAL SPKR 8P |
| 62 | 55181420XX | 1 | CON PHONO SCKT RCA 4P JM-4104RSA |
| 63 | 55181480XX | 1 | CON PHONO SCKT RCA 6P JM-4105RSB |
| 64 | 55181370XX | 1 | CON PHONO SCKT RCA 1P JACK JED10003XN |
| 65 | 55178330XX | 1 | CON PHONO SCKT RCA 4P JM4104RS GND |
| 66 | 55149520XX | 7 | CON DIN SCKT MIX SOCKET RCA-118P15 |
| 67 | 55181800XX | 1 | CON PHONO SCKT RCA 2P W/GND CAP JM-1502SN 00 |
| 68 | 55125440NR | 1 | D-LEM T0TX1788 RD RND CL |
| 69 | 55175850XX | 1 | CON PHONO SCKT RCA 1P W/GND JED10003MN |
| 70 | 55176380XX | 1 | CON PHONO SCKT RCA 6P JM-4108RSS N/GND CAP |
| 71 | 55176330XX | 1 | CON PHONO SCKT RCA 4P JM4104RS GND |
| 72 | 55207740XX | 1 | CON PHONO SCKT RCA 2P JED21163TN BRN/TAN |
| 73 | 55181410XX | 1 | CON PHONO SCKT RCA 4P JM-4104RSB |
| 74 | 55191880XX | 1 | CON PHONO SCKT RCA 6P JM4108RSB W/GND CAP |
| 75 | 55178080XX | 1 | AC PUN COVER BOTTOM SECC T1.0 |
| 76 | 55125220XX | 11 | AC BUFFER PCB |
| 77 | 55176400XX | 1 | AC METAL HEATSINK REB 118*28*20H |
| 78 | 55182880NR | 5 | CONN-SPE JUMPER PLUG 2PIN |
| 79 | BLANK | | |
| 80 | BLANK | | |

| | | | |
|----|------------|----|--|
| XX | 55178880XX | 1 | AC SPRING PLATE SPRING GND C5212 0.2T |
| XX | 55148840NR | 1 | FCORE FERRIT MAGNET RING34 34.5X21X12 K-150 |
| XX | | | |
| 51 | 55127070XX | 64 | SCREW-ST 3MM 10MM |
| 52 | 55127120XX | 34 | SCREW-ST 3MM 8MM |
| 53 | 55309240XX | 4 | SCREW-SPEC 4MM 10MM |
| 54 | 55127080XX | 8 | SCREW-ST 4MM 8MM |
| 55 | 55127280XX | 10 | SCREW-ST 3MM 8MM |
| 56 | 55184800XX | 1 | SCREW 3MM 8MM |
| 57 | 55178320XX | 25 | SCREW-ST 3MM 12MM |
| 58 | 55135480XX | 50 | SCREW-SPEC 3MM 10MM |
| N1 | 55309350XX | 4 | NUT-HEXAGON 4.0MM 5.0MM CIRCULAR EXTERNAL 53 |

| | | | |
|----|------------|----|-----------------|
| W1 | 55127300XX | 15 | WASHER-SPRING 3 |
| W2 | 55127310XX | 10 | WASHER-FLAT 3 |
| W3 | 55168880XX | 4 | WASHER-SPRING 4 |
| W4 | 55131730XX | 4 | WASHER-FLAT 4 |

| | | | |
|--|------------|---|---|
| | 20932870XX | 2 | AC PRI LABEL QC CHECK CRK01217(20X13MM) |
| | 55149150XX | 2 | AC PRI LABEL RISK |
| | 55174780XX | 1 | AC PRI LABEL DATE |
| | 55247270XX | 2 | AC PRI LABEL SERIAL AVR5500 |
| | 55247280XX | 2 | AC PRI LABEL BARCODE AVR5500 |
| | 55178820XX | 1 | AC PRI LABEL "PLEASE REMOVE..." |

| | AVR 2500 | AVR 3500 | AVR 4500 | AVR 5500 |
|-----------------------------|-----------------|-----------------|-------------------|-------------------|
| Remote Control | 55242980 | 55242990 | 55262320/55178550 | 55262330/55178550 |
| Power Transformer 230V | 55201720 | 55201720 | 55274640 | 55163910 |
| St-By Transformer 230V | 55155650 | 55155650 | 55155650 | 55155650 |
| Carton Box | 55243010XX | 55243020XX | 5524300XX | 5524310XX |
| Micro controller Main IC201 | 55267250 | 55267250 | 5528593 | 5528593 |
| Micro controller SUB IC128 | | | 5528595 | 5528595 |
| | | | | |
| Key SW PCB asm | 55243610 | 55245880 | 55315730 | 55315700 |
| Front PCB asm | 55246230 | 55245850 | 55261830 | 55261820 |
| Main PCB asm | 55246120 | 55245840 | 55261860 | 55261840 |
| Video PCB asm | 55243640 | 55245890 | 55261900 | 55261890 |
| DSP PCB asm | 55243670 | 55245900 | 55261880 | 55261870 |
| Processor PCB asm | 55243540 | 55245860 | 55196680 | 55182700 |
| Tuner PCB asm | 5522774A | 5522774A | 55317330 | 55317330 |
| Surround PCB asm | 55271240 | 55245870 | 55261930 | 55261940 |
| Component PCB asm | | | | |
| Input PCB asm | | | 55261920 | 55261910 |

PART NO : 55261950

TITEL : AC ASY ACCESSORY AVR5500 OEM

| Pos | Tocom# | Pkg | M/ | St | Qt | Unit | SName |
|------|----------|-----|----|----|----|------|---------------------------------------|
| 0050 | 55127490 | | B | so | 1 | PCE | ANTENNA WIRE ANTENNA LOOP CT01-AM 0 0 |
| 0070 | 55020220 | NR | B | po | 5 | PCE | BATNCALK 1.5V AAA 1.15 AH |
| 0130 | 55127460 | | B | so | 1 | PCE | ANTENNA WIRE 75 OHM WIRE CT03-FM 0 0 |

PART NO : 55261870

TITEL : AC EMBD IMA DSP BD AVR5500

| Pos | Tocom# | Pkg | M/B | St | Qty | Unit | SName |
|--------|----------|-----|-----|----|-------|------|---|
| 010 | 55262020 | | M | SO | 1 | PCE | AC ESABD IAU DSP BD AVR5500 |
| 040 | 20290150 | | B | so | 0.015 | KG | SOLDER BAR 52SN/45PB/3SB BAR |
| 041 | 15481260 | | B | so | 0.015 | L | SLDC FLUX LRES FOAM SM32DHT-2 |
| C504 | 20269180 | AM | B | so | 1 | PCE | CE 1MI0F +20% 6.3V 85C |
| C505 | 20269180 | AM | B | so | 1 | PCE | CE 1MI0F +20% 6.3V 85C |
| C506 | 20269180 | AM | B | so | 1 | PCE | CE 1MI0F +20% 6.3V 85C |
| CN102 | 55174670 | | B | so | 1 | PCE | CONN 2.0MM 19 MA R NAT SOCKET MOLEX 35237-1910 0 0 |
| CN103 | 55174660 | | B | so | 1 | PCE | CONN 2.0MM 17 MA R NAT SOCKET MOLEX 35237-1710 0 0 |
| CN105 | 55175860 | NR | B | so | 1 | PCE | WIRECONASY UNIQUE 5P 480MM UL1007 PVC DISCRETE 26 1 |
| CN106 | 55191240 | NR | B | so | 1 | PCE | WIRECONASY UNIQUE 3P 500MM UL1007 PVC DISCRETE 26 1 |
| CP101 | 55123390 | | B | so | 1 | PCE | CONN 2.0MM 5 MA R NAT LW2003P05 0 0 |
| CP102 | 55123390 | | B | so | 1 | PCE | CONN 2.0MM 5 MA R NAT LW2003P05 0 0 |
| JAC1 | 55175240 | | B | so | 1 | PCE | CON PHONO SCKT RCA 1P W/GND JE010003MG |
| JAC2 | 55125430 | NR | B | so | 1 | PCE | D-LEM TORX178B RD RND CL |
| JK101 | 55125430 | NR | B | so | 1 | PCE | D-LEM TORX178B RD RND CL |
| JK102 | 55125430 | NR | B | so | 1 | PCE | D-LEM TORX178B RD RND CL |
| JK103 | 55125440 | NR | B | so | 1 | PCE | D-LEM TOTX178B RD RND CL |
| JK105 | 55191600 | | B | so | 1 | PCE | CON PHONO SCKT RCA 2P W/GND CAP JW-1502SN OO |
| JK106 | 55175950 | | B | so | 1 | PCE | CON PHONO SCKT RCA 1P W/GND JE010003MN |
| OSC101 | 55126130 | NR | B | so | 1 | PCE | VCXO 12M288 HZ +50 PPM -50 PPM 0 OHM |
| OSC102 | 55126140 | NR | B | so | 1 | PCE | CRESONATOR 10M0 HZ 25.0 OHM 0F |
| RY101 | 55179930 | NR | B | so | 1 | PCE | RELAYPWR 5.0V 166.0OHM 1.0A 24.0V |
| SHILD | 55182550 | | B | ud | 1 | PCE | AC PUN SHIELD DIGITAL ET |
| T101 | 55176540 | NR | B | so | 1 | PCE | TFPULSE TRANSFORMER 110UH FP-110 FERRIT MAGNET |
| T102 | 55176550 | NR | B | so | 1 | PCE | TFPULSE TRANSFORMER 110UH FP-120 FERRIT MAGNET |
| W1 | 55180120 | NR | B | so | 1 | PCE | WIRECONASY UNIQUE 1P 100MM UL1007 PVC DISCRETE 18 1 |
| 020 | 55188910 | | X | ud | 1 | PCE | AC SCHEMATIC DSP BD AVR520 OEM |

PART NO : 55262020

TITEL : AC ESABD IAU DSP BD AVR5500

| Pos | Tocom# | Pkg | M/B | St | Qty | Unit | SName |
|------|----------|-----|-----|----|-----|------|-------------------------------|
| 040 | 55182530 | | B | po | 1 | PCE | AC PCB DSP AVR520 DUAL LAYERS |
| C132 | 20266570 | 71 | B | so | 1 | PCE | CPF 68N0F +10% 50.0V |
| C301 | 15002130 | 30 | B | so | 1 | PCE | CE 10U0F +20% 16.0V 85C |
| C501 | 10121000 | 39 | B | so | 1 | PCE | CE 10U0F +20% 16.0V 85C |
| C502 | 20268850 | 30 | B | so | 1 | PCE | CE 2U2F +20% 50.0V 85C |
| C507 | 10121000 | 39 | B | so | 1 | PCE | CE 10U0F +20% 16.0V 85C |
| C508 | 10121000 | 39 | B | so | 1 | PCE | CE 10U0F +20% 16.0V 85C |
| C509 | 10121000 | 39 | B | so | 1 | PCE | CE 10U0F +20% 16.0V 85C |
| C510 | 10121000 | 39 | B | so | 1 | PCE | CE 10U0F +20% 16.0V 85C |
| C511 | 20267830 | 30 | B | so | 1 | PCE | CE 47U0F +20% 16.0V 85C |
| C512 | 10121000 | 39 | B | so | 1 | PCE | CE 10U0F +20% 16.0V 85C |
| C513 | 10121000 | 39 | B | so | 1 | PCE | CE 10U0F +20% 16.0V 85C |
| C514 | 20268840 | 30 | B | so | 1 | PCE | CE 1U0F +20% 50.0V 85C |
| C515 | 20268840 | 30 | B | so | 1 | PCE | CE 1U0F +20% 50.0V 85C |
| C516 | 10121000 | 39 | B | so | 1 | PCE | CE 10U0F +20% 16.0V 85C |
| C517 | 10121000 | 39 | B | so | 1 | PCE | CE 10U0F +20% 16.0V 85C |

| | | | | | | | |
|------|----------|----|---|----|---|-----|--------------------------|
| C518 | 10121000 | 39 | B | so | 1 | PCE | CE 10U0F +20% 16.0V 85C |
| C519 | 10121000 | 39 | B | so | 1 | PCE | CE 10U0F +20% 16.0V 85C |
| C520 | 20268840 | 30 | B | so | 1 | PCE | CE 1U0F +20% 50.0V 85C |
| C521 | 20268840 | 30 | B | so | 1 | PCE | CE 1U0F +20% 50.0V 85C |
| C522 | 20267830 | 30 | B | so | 1 | PCE | CE 47U0F +20% 16.0V 85C |
| C523 | 10121000 | 39 | B | so | 1 | PCE | CE 10U0F +20% 16.0V 85C |
| C524 | 10121000 | 39 | B | so | 1 | PCE | CE 10U0F +20% 16.0V 85C |
| C525 | 10121000 | 39 | B | so | 1 | PCE | CE 10U0F +20% 16.0V 85C |
| C526 | 10121000 | 39 | B | so | 1 | PCE | CE 10U0F +20% 16.0V 85C |
| C527 | 10121000 | 39 | B | so | 1 | PCE | CE 10U0F +20% 16.0V 85C |
| C528 | 10121000 | 39 | B | so | 1 | PCE | CE 10U0F +20% 16.0V 85C |
| C529 | 20268840 | 30 | B | so | 1 | PCE | CE 1U0F +20% 50.0V 85C |
| C530 | 20268840 | 30 | B | so | 1 | PCE | CE 1U0F +20% 50.0V 85C |
| C531 | 20267830 | 30 | B | so | 1 | PCE | CE 47U0F +20% 16.0V 85C |
| C532 | 10121000 | 39 | B | so | 1 | PCE | CE 10U0F +20% 16.0V 85C |
| C533 | 10121000 | 39 | B | so | 1 | PCE | CE 10U0F +20% 16.0V 85C |
| C534 | 10121000 | 39 | B | so | 1 | PCE | CE 10U0F +20% 16.0V 85C |
| C535 | 10121000 | 39 | B | so | 1 | PCE | CE 10U0F +20% 16.0V 85C |
| C536 | 10121000 | 39 | B | so | 1 | PCE | CE 10U0F +20% 16.0V 85C |
| C537 | 10121000 | 39 | B | so | 1 | PCE | CE 10U0F +20% 16.0V 85C |
| C538 | 20268840 | 30 | B | so | 1 | PCE | CE 1U0F +20% 50.0V 85C |
| C539 | 20268840 | 30 | B | so | 1 | PCE | CE 1U0F +20% 50.0V 85C |
| C540 | 20267830 | 30 | B | so | 1 | PCE | CE 47U0F +20% 16.0V 85C |
| C541 | 10121000 | 39 | B | so | 1 | PCE | CE 10U0F +20% 16.0V 85C |
| C542 | 10121000 | 39 | B | so | 1 | PCE | CE 10U0F +20% 16.0V 85C |
| C543 | 20269110 | 30 | B | so | 1 | PCE | CE 330U0F +20% 6.3V 85C |
| C544 | 20269110 | 30 | B | so | 1 | PCE | CE 330U0F +20% 6.3V 85C |
| C545 | 10121000 | 39 | B | so | 1 | PCE | CE 10U0F +20% 16.0V 85C |
| C546 | 20252560 | 30 | B | so | 1 | PCE | CE 220U0F +20% 6.3V 85C |
| C547 | 10121000 | 39 | B | so | 1 | PCE | CE 10U0F +20% 16.0V 85C |
| C548 | 20269070 | 30 | B | so | 1 | PCE | CE 100U0F +20% 25.0V 85C |
| C549 | 20269070 | 30 | B | so | 1 | PCE | CE 100U0F +20% 25.0V 85C |
| C550 | 20267830 | 30 | B | so | 1 | PCE | CE 47U0F +20% 16.0V 85C |
| C551 | 20267830 | 30 | B | so | 1 | PCE | CE 47U0F +20% 16.0V 85C |
| C552 | 10121000 | 39 | B | so | 1 | PCE | CE 10U0F +20% 16.0V 85C |
| C553 | 10121000 | 39 | B | so | 1 | PCE | CE 10U0F +20% 16.0V 85C |

PART NO : 55262140

TITEL : AC ESABD SMD TOP DSP BD AVR5500

| Pos | Tocom# | Pkg | M/B | St | Qty | Unit | SName |
|------|----------|-----|-----|----|-----|------|--|
| BD10 | 55126690 | 50 | B | so | 1 | PCE | FBEAD SURFACE MT 2500OHM FCM2012H-252T02 |
| BD13 | 55126690 | 50 | B | so | 1 | PCE | FBEAD SURFACE MT 2500OHM FCM2012H-252T02 |
| BD18 | 55126690 | 50 | B | so | 1 | PCE | FBEAD SURFACE MT 2500OHM FCM2012H-252T02 |
| BD19 | 55126650 | 50 | B | so | 1 | PCE | FBEAD SURFACE MT 300OHM FCM2012V-301T07 |
| BD22 | 55126650 | 50 | B | so | 1 | PCE | FBEAD SURFACE MT 300OHM FCM2012V-301T07 |
| BD23 | 55126650 | 50 | B | so | 1 | PCE | FBEAD SURFACE MT 300OHM FCM2012V-301T07 |
| BD24 | 55126690 | 50 | B | so | 1 | PCE | FBEAD SURFACE MT 2500OHM FCM2012H-252T02 |
| BD25 | 55126690 | 50 | B | so | 1 | PCE | FBEAD SURFACE MT 2500OHM FCM2012H-252T02 |
| C100 | 20288040 | 91 | B | so | 1 | PCE | CCCFMIC 100N0F +80% -20% 16.0V Y5V |
| C101 | 20506640 | 91 | B | so | 1 | PCE | CCCFMIC 220P0F +5% -5% 50.0V NP0 |
| C102 | 20678070 | 91 | B | so | 1 | PCE | CCCFMIC 330P0F +5% -5% 50.0V NP0 |

| | | | | | | | |
|------|----------|----|---|----|---|-----|------------------------------------|
| C105 | 20678070 | 91 | B | so | 1 | PCE | CCCFMIC 330P0F +5% -5% 50.0V NP0 |
| C107 | 20288060 | 91 | B | so | 1 | PCE | CCCFMIC 220N0F +80% -20% 16.0V Y5V |
| C110 | 20288040 | 91 | B | so | 1 | PCE | CCCFMIC 100N0F +80% -20% 16.0V Y5V |
| C113 | 20506520 | 91 | B | so | 1 | PCE | CCCFMIC 22P0F +5% -5% 50.0V NP0 |
| C114 | 10138960 | 91 | B | so | 1 | PCE | CCCFMIC 10N0F +10% -10% 50.0V X7R |
| C115 | 20506520 | 91 | B | so | 1 | PCE | CCCFMIC 22P0F +5% -5% 50.0V NP0 |
| C116 | 10138960 | 91 | B | so | 1 | PCE | CCCFMIC 10N0F +10% -10% 50.0V X7R |
| C119 | 20288040 | 91 | B | so | 1 | PCE | CCCFMIC 100N0F +80% -20% 16.0V Y5V |
| C120 | 20288040 | 91 | B | so | 1 | PCE | CCCFMIC 100N0F +80% -20% 16.0V Y5V |
| C123 | 20288040 | 91 | B | so | 1 | PCE | CCCFMIC 100N0F +80% -20% 16.0V Y5V |
| C124 | 20506520 | 91 | B | so | 1 | PCE | CCCFMIC 22P0F +5% -5% 50.0V NP0 |
| C125 | 10138960 | 91 | B | so | 1 | PCE | CCCFMIC 10N0F +10% -10% 50.0V X7R |
| C135 | 20288040 | 91 | B | so | 1 | PCE | CCCFMIC 100N0F +80% -20% 16.0V Y5V |
| C137 | 20288040 | 91 | B | so | 1 | PCE | CCCFMIC 100N0F +80% -20% 16.0V Y5V |
| C138 | 20288040 | 91 | B | so | 1 | PCE | CCCFMIC 100N0F +80% -20% 16.0V Y5V |
| C145 | 10138670 | 91 | B | so | 1 | PCE | CCCFMIC 3N3F +10% -10% 50.0V X7R |
| C146 | 10138670 | 91 | B | so | 1 | PCE | CCCFMIC 3N3F +10% -10% 50.0V X7R |
| C147 | 10138670 | 91 | B | so | 1 | PCE | CCCFMIC 3N3F +10% -10% 50.0V X7R |
| C148 | 10138670 | 91 | B | so | 1 | PCE | CCCFMIC 3N3F +10% -10% 50.0V X7R |
| C149 | 10138390 | 91 | B | so | 1 | PCE | CCCFMIC 560P0F +10% -10% 50.0V X7R |
| C150 | 10138390 | 91 | B | so | 1 | PCE | CCCFMIC 560P0F +10% -10% 50.0V X7R |
| C151 | 20678070 | 91 | B | so | 1 | PCE | CCCFMIC 330P0F +5% -5% 50.0V NP0 |
| C152 | 20678070 | 91 | B | so | 1 | PCE | CCCFMIC 330P0F +5% -5% 50.0V NP0 |
| C160 | 10138630 | 91 | B | so | 1 | PCE | CCCFMIC 2N7F +10% -10% 50.0V X7R |
| C161 | 10138630 | 91 | B | so | 1 | PCE | CCCFMIC 2N7F +10% -10% 50.0V X7R |
| C162 | 10138630 | 91 | B | so | 1 | PCE | CCCFMIC 2N7F +10% -10% 50.0V X7R |
| C163 | 10138630 | 91 | B | so | 1 | PCE | CCCFMIC 2N7F +10% -10% 50.0V X7R |
| C164 | 10138390 | 91 | B | so | 1 | PCE | CCCFMIC 560P0F +10% -10% 50.0V X7R |
| C165 | 10138390 | 91 | B | so | 1 | PCE | CCCFMIC 560P0F +10% -10% 50.0V X7R |
| C166 | 10138390 | 91 | B | so | 1 | PCE | CCCFMIC 560P0F +10% -10% 50.0V X7R |
| C167 | 10138390 | 91 | B | so | 1 | PCE | CCCFMIC 560P0F +10% -10% 50.0V X7R |
| C173 | 10138630 | 91 | B | so | 1 | PCE | CCCFMIC 2N7F +10% -10% 50.0V X7R |
| C174 | 10138710 | 91 | B | so | 1 | PCE | CCCFMIC 4N7F +10% -10% 50.0V X7R |
| C175 | 10138630 | 91 | B | so | 1 | PCE | CCCFMIC 2N7F +10% -10% 50.0V X7R |
| C176 | 10138710 | 91 | B | so | 1 | PCE | CCCFMIC 4N7F +10% -10% 50.0V X7R |
| C177 | 10138390 | 91 | B | so | 1 | PCE | CCCFMIC 560P0F +10% -10% 50.0V X7R |
| C178 | 10138550 | 91 | B | so | 1 | PCE | CCCFMIC 1N0F +10% -10% 50.0V X7R |
| C179 | 10138390 | 91 | B | so | 1 | PCE | CCCFMIC 560P0F +10% -10% 50.0V X7R |
| C180 | 10138550 | 91 | B | so | 1 | PCE | CCCFMIC 1N0F +10% -10% 50.0V X7R |
| C185 | 10138630 | 91 | B | so | 1 | PCE | CCCFMIC 2N7F +10% -10% 50.0V X7R |
| C186 | 10138630 | 91 | B | so | 1 | PCE | CCCFMIC 2N7F +10% -10% 50.0V X7R |
| C187 | 10138630 | 91 | B | so | 1 | PCE | CCCFMIC 2N7F +10% -10% 50.0V X7R |
| C188 | 10138630 | 91 | B | so | 1 | PCE | CCCFMIC 2N7F +10% -10% 50.0V X7R |
| C189 | 10138390 | 91 | B | so | 1 | PCE | CCCFMIC 560P0F +10% -10% 50.0V X7R |
| C190 | 10138390 | 91 | B | so | 1 | PCE | CCCFMIC 560P0F +10% -10% 50.0V X7R |
| C191 | 10138390 | 91 | B | so | 1 | PCE | CCCFMIC 560P0F +10% -10% 50.0V X7R |
| C192 | 10138390 | 91 | B | so | 1 | PCE | CCCFMIC 560P0F +10% -10% 50.0V X7R |
| C198 | 10138620 | 91 | B | so | 1 | PCE | CCCFMIC 2N2F +10% -10% 50.0V X7R |
| C199 | 10138620 | 91 | B | so | 1 | PCE | CCCFMIC 2N2F +10% -10% 50.0V X7R |
| C202 | 20506590 | 91 | B | so | 1 | PCE | CCCFMIC 100P0F +5% -5% 50.0V NP0 |
| C203 | 20506590 | 91 | B | so | 1 | PCE | CCCFMIC 100P0F +5% -5% 50.0V NP0 |
| C204 | 20506590 | 91 | B | so | 1 | PCE | CCCFMIC 100P0F +5% -5% 50.0V NP0 |
| C205 | 20506590 | 91 | B | so | 1 | PCE | CCCFMIC 100P0F +5% -5% 50.0V NP0 |

| | | | | | | | |
|-------|----------|----|---|----|---|-----|---|
| C213 | 20506590 | 91 | B | so | 1 | PCE | CCCFMIC 100P0F +5% -5% 50.0V NP0 |
| C214 | 20506590 | 91 | B | so | 1 | PCE | CCCFMIC 100P0F +5% -5% 50.0V NP0 |
| C554 | 20506520 | 91 | B | so | 1 | PCE | CCCFMIC 22P0F +5% -5% 50.0V NP0 |
| C555 | 20506520 | 91 | B | so | 1 | PCE | CCCFMIC 22P0F +5% -5% 50.0V NP0 |
| C556 | 20288040 | 91 | B | so | 1 | PCE | CCCFMIC 100N0F +80% -20% 16.0V Y5V |
| C557 | 20288040 | 91 | B | so | 1 | PCE | CCCFMIC 100N0F +80% -20% 16.0V Y5V |
| C558 | 20506520 | 91 | B | so | 1 | PCE | CCCFMIC 22P0F +5% -5% 50.0V NP0 |
| C559 | 20288040 | 91 | B | so | 1 | PCE | CCCFMIC 100N0F +80% -20% 16.0V Y5V |
| C560 | 20288040 | 91 | B | so | 1 | PCE | CCCFMIC 100N0F +80% -20% 16.0V Y5V |
| C561 | 20288040 | 91 | B | so | 1 | PCE | CCCFMIC 100N0F +80% -20% 16.0V Y5V |
| D201 | 20496510 | NR | B | so | 1 | PCE | D-SLP 1SS355 35.0V 225MI0A |
| D202 | 20496510 | NR | B | so | 1 | PCE | D-SLP 1SS355 35.0V 225MI0A |
| D301 | 20496510 | NR | B | so | 1 | PCE | D-SLP 1SS355 35.0V 225MI0A |
| IC101 | 55125380 | NR | B | so | 1 | PCE | IC-LOWFREQ CS493263-CL DSP |
| IC102 | 55172540 | NR | B | so | 0 | PCE | IC-EPROM AT27LV020A-90JC |
| IC102 | 55179570 | NR | B | so | 1 | PCE | IC-EPROM AT27LV020A-12JC |
| IC105 | 55125420 | NR | B | so | 1 | PCE | IC-LOGIC 74VHC244MX INVERTER CMOS |
| IC106 | 55125420 | NR | B | so | 1 | PCE | IC-LOGIC 74VHC244MX INVERTER CMOS |
| IC107 | 55179590 | NR | B | so | 1 | PCE | IC-LOWFREQ CS8414-CS DSP |
| IC108 | 55179270 | NR | B | so | 1 | PCE | IC-LOGIC QUAD 2-INPUT MP 74VHC157MX SOL16 FLIP/FLOP HCMOS |
| IC109 | 55133310 | NR | B | so | 1 | PCE | IC-LOGIC M74HCU04M1R INVERTER HCT |
| IC110 | 55179260 | NR | B | so | 1 | PCE | IC-LOGIC DUAL 4-INPUT MP 74VHC153MX SOL16 FLIP/FLOP HCMOS |
| IC111 | 55133310 | NR | B | so | 1 | PCE | IC-LOGIC M74HCU04M1R INVERTER HCT |
| IC115 | 55204160 | NR | B | so | 1 | PCE | IC-CONV CS5360-KS A/D |
| IC116 | 55179580 | NR | B | so | 1 | PCE | IC-CONV CS4391-KS D/A |
| IC117 | 55179580 | NR | B | so | 1 | PCE | IC-CONV CS4391-KS D/A |
| IC118 | 55179580 | NR | B | so | 1 | PCE | IC-CONV CS4391-KS D/A |
| IC119 | 55179580 | NR | B | so | 1 | PCE | IC-CONV CS4391-KS D/A |
| IC125 | 55204170 | NR | B | so | 1 | PCE | IC-SWITCH NJU201AM ANALOG SWITCH |
| IC128 | 55285950 | HE | B | ud | 1 | PCE | IC-MICROCONT CXP82532-198Q SUB AVR4500/5500 |
| IC129 | 55182540 | NR | B | so | 1 | PCE | IC-REGPOSFXD 2.7V MM1562H NORMAL |
| J999 | 10328750 | 91 | B | so | 1 | PCE | RMGCFMIC 0 OHM +0% 62MI5W |
| Q101 | 55133330 | 92 | B | so | 1 | PCE | TR-SSD DTC114TKA N 10K0 OHM |
| R102 | 10135940 | 91 | B | so | 1 | PCE | RMGCFMIC 4K7 OHM +5% 62MI5W |
| R103 | 10135940 | 91 | B | so | 1 | PCE | RMGCFMIC 4K7 OHM +5% 62MI5W |
| R104 | 10135940 | 91 | B | so | 1 | PCE | RMGCFMIC 4K7 OHM +5% 62MI5W |
| R105 | 10135010 | 91 | B | so | 1 | PCE | RMGCFMIC 10K0 OHM +5% 62MI5W |
| R106 | 10135940 | 91 | B | so | 1 | PCE | RMGCFMIC 4K7 OHM +5% 62MI5W |
| R107 | 10135010 | 91 | B | so | 1 | PCE | RMGCFMIC 10K0 OHM +5% 62MI5W |
| R108 | 10135010 | 91 | B | so | 1 | PCE | RMGCFMIC 10K0 OHM +5% 62MI5W |
| R109 | 10135010 | 91 | B | so | 1 | PCE | RMGCFMIC 10K0 OHM +5% 62MI5W |
| R110 | 10135010 | 91 | B | so | 1 | PCE | RMGCFMIC 10K0 OHM +5% 62MI5W |
| R111 | 10135010 | 91 | B | so | 1 | PCE | RMGCFMIC 10K0 OHM +5% 62MI5W |
| R112 | 10135010 | 91 | B | so | 1 | PCE | RMGCFMIC 10K0 OHM +5% 62MI5W |
| R113 | 10135010 | 91 | B | so | 1 | PCE | RMGCFMIC 10K0 OHM +5% 62MI5W |
| R114 | 10135010 | 91 | B | so | 1 | PCE | RMGCFMIC 10K0 OHM +5% 62MI5W |
| R115 | 10135010 | 91 | B | so | 1 | PCE | RMGCFMIC 10K0 OHM +5% 62MI5W |
| R116 | 10135010 | 91 | B | so | 1 | PCE | RMGCFMIC 10K0 OHM +5% 62MI5W |
| R117 | 10135010 | 91 | B | so | 1 | PCE | RMGCFMIC 10K0 OHM +5% 62MI5W |

| | | | | | | | | | | | |
|------|----------|----|---|----|---|-----|----------|-------|-----|-----|---------|
| R118 | 10135010 | 91 | B | so | 1 | PCE | RMGCFMIC | 10K0 | OHM | +5% | 62MI5W |
| R119 | 10135940 | 91 | B | so | 1 | PCE | RMGCFMIC | 4K7 | OHM | +5% | 62MI5W |
| R120 | 10135010 | 91 | B | so | 1 | PCE | RMGCFMIC | 10K0 | OHM | +5% | 62MI5W |
| R121 | 10135010 | 91 | B | so | 1 | PCE | RMGCFMIC | 10K0 | OHM | +5% | 62MI5W |
| R122 | 10134710 | 91 | B | so | 1 | PCE | RMGCFMIC | 75R0 | OHM | +5% | 62MI5W |
| R123 | 10135220 | 91 | B | so | 1 | PCE | RMGCFMIC | 47K0 | OHM | +5% | 62MI5W |
| R124 | 10134930 | 91 | B | so | 1 | PCE | RMGCFMIC | 560R0 | OHM | +5% | 62MI5W |
| R125 | 10134710 | 91 | B | so | 1 | PCE | RMGCFMIC | 75R0 | OHM | +5% | 62MI5W |
| R126 | 10135220 | 91 | B | so | 1 | PCE | RMGCFMIC | 47K0 | OHM | +5% | 62MI5W |
| R127 | 10134930 | 91 | B | so | 1 | PCE | RMGCFMIC | 560R0 | OHM | +5% | 62MI5W |
| R128 | 10135220 | 91 | B | so | 1 | PCE | RMGCFMIC | 47K0 | OHM | +5% | 62MI5W |
| R129 | 10135860 | 91 | B | so | 1 | PCE | RMGCFMIC | 2K2 | OHM | +5% | 62MI5W |
| R130 | 10135860 | 91 | B | so | 1 | PCE | RMGCFMIC | 2K2 | OHM | +5% | 62MI5W |
| R131 | 10135220 | 91 | B | so | 1 | PCE | RMGCFMIC | 47K0 | OHM | +5% | 62MI5W |
| R132 | 10134410 | 91 | B | so | 1 | PCE | RMGCFMIC | 10R0 | OHM | +5% | 62MI5W |
| R133 | 10134740 | 91 | B | so | 1 | PCE | RMGCFMIC | 100R0 | OHM | +5% | 62MI5W |
| R134 | 10134920 | 91 | B | so | 1 | PCE | RMGCFMIC | 510R0 | OHM | +5% | 62MI5W |
| R135 | 10134910 | 91 | B | so | 1 | PCE | RMGCFMIC | 470R0 | OHM | +5% | 62MI5W |
| R136 | 10134410 | 91 | B | so | 1 | PCE | RMGCFMIC | 10R0 | OHM | +5% | 62MI5W |
| R137 | 10135770 | 91 | B | so | 1 | PCE | RMGCFMIC | 1K0 | OHM | +5% | 62MI5W |
| R138 | 10134410 | 91 | B | so | 1 | PCE | RMGCFMIC | 10R0 | OHM | +5% | 62MI5W |
| R139 | 10135770 | 91 | B | so | 1 | PCE | RMGCFMIC | 1K0 | OHM | +5% | 62MI5W |
| R140 | 10134740 | 91 | B | so | 1 | PCE | RMGCFMIC | 100R0 | OHM | +5% | 62MI5W |
| R142 | 10135860 | 91 | B | so | 1 | PCE | RMGCFMIC | 2K2 | OHM | +5% | 62MI5W |
| R143 | 10135220 | 91 | B | so | 1 | PCE | RMGCFMIC | 47K0 | OHM | +5% | 62MI5W |
| R144 | 10134910 | 91 | B | so | 1 | PCE | RMGCFMIC | 470R0 | OHM | +5% | 62MI5W |
| R145 | 10135220 | 91 | B | so | 1 | PCE | RMGCFMIC | 47K0 | OHM | +5% | 62MI5W |
| R146 | 10134710 | 91 | B | so | 1 | PCE | RMGCFMIC | 75R0 | OHM | +5% | 62MI5W |
| R147 | 10134650 | 91 | B | so | 1 | PCE | RMGCFMIC | 47R0 | OHM | +5% | 62MI5W |
| R148 | 10135860 | 91 | B | so | 1 | PCE | RMGCFMIC | 2K2 | OHM | +5% | 62MI5W |
| R149 | 10135220 | 91 | B | so | 1 | PCE | RMGCFMIC | 47K0 | OHM | +5% | 62MI5W |
| R150 | 10135860 | 91 | B | so | 1 | PCE | RMGCFMIC | 2K2 | OHM | +5% | 62MI5W |
| R151 | 10135220 | 91 | B | so | 1 | PCE | RMGCFMIC | 47K0 | OHM | +5% | 62MI5W |
| R152 | 10134410 | 91 | B | so | 1 | PCE | RMGCFMIC | 10R0 | OHM | +5% | 62MI5W |
| R153 | 10134910 | 91 | B | so | 1 | PCE | RMGCFMIC | 470R0 | OHM | +5% | 62MI5W |
| R154 | 10134920 | 91 | B | so | 1 | PCE | RMGCFMIC | 510R0 | OHM | +5% | 62MI5W |
| R155 | 10134740 | 91 | B | so | 1 | PCE | RMGCFMIC | 100R0 | OHM | +5% | 62MI5W |
| R156 | 10135770 | 91 | B | so | 1 | PCE | RMGCFMIC | 1K0 | OHM | +5% | 62MI5W |
| R157 | 10135770 | 91 | B | so | 1 | PCE | RMGCFMIC | 1K0 | OHM | +5% | 62MI5W |
| R158 | 10135770 | 91 | B | so | 1 | PCE | RMGCFMIC | 1K0 | OHM | +5% | 62MI5W |
| R165 | 10134830 | 91 | B | so | 1 | PCE | RMGCFMIC | 220R0 | OHM | +5% | 62MI5W |
| R166 | 10134830 | 91 | B | so | 1 | PCE | RMGCFMIC | 220R0 | OHM | +5% | 62MI5W |
| R167 | 10135010 | 91 | B | so | 1 | PCE | RMGCFMIC | 10K0 | OHM | +5% | 62MI5W |
| R168 | 10135010 | 91 | B | so | 1 | PCE | RMGCFMIC | 10K0 | OHM | +5% | 62MI5W |
| R169 | 10134830 | 91 | B | so | 1 | PCE | RMGCFMIC | 220R0 | OHM | +5% | 62MI5W |
| R170 | 10135010 | 91 | B | so | 1 | PCE | RMGCFMIC | 10K0 | OHM | +5% | 62MI5W |
| R171 | 10135010 | 91 | B | so | 1 | PCE | RMGCFMIC | 10K0 | OHM | +5% | 62MI5W |
| R172 | 50886540 | 91 | B | so | 1 | PCE | RMGCFMIN | 330R0 | OHM | +5% | 100MI0W |
| R173 | 10134830 | 91 | B | so | 1 | PCE | RMGCFMIC | 220R0 | OHM | +5% | 62MI5W |
| R174 | 10134830 | 91 | B | so | 1 | PCE | RMGCFMIC | 220R0 | OHM | +5% | 62MI5W |
| R175 | 10135950 | 91 | B | so | 1 | PCE | RMGCFMIC | 5K1 | OHM | +5% | 62MI5W |
| R176 | 10135950 | 91 | B | so | 1 | PCE | RMGCFMIC | 5K1 | OHM | +5% | 62MI5W |
| R177 | 10135950 | 91 | B | so | 1 | PCE | RMGCFMIC | 5K1 | OHM | +5% | 62MI5W |

| | | | | | | | | | | | |
|------|----------|----|---|----|---|-----|----------|-------|-----|-----|--------|
| R178 | 10135950 | 91 | B | so | 1 | PCE | RMGCFMIC | 5K1 | OHM | +5% | 62MI5W |
| R179 | 10135960 | 91 | B | so | 1 | PCE | RMGCFMIC | 5K6 | OHM | +5% | 62MI5W |
| R180 | 10135960 | 91 | B | so | 1 | PCE | RMGCFMIC | 5K6 | OHM | +5% | 62MI5W |
| R181 | 10135960 | 91 | B | so | 1 | PCE | RMGCFMIC | 5K6 | OHM | +5% | 62MI5W |
| R182 | 10135790 | 91 | B | so | 1 | PCE | RMGCFMIC | 1K2 | OHM | +5% | 62MI5W |
| R183 | 10135790 | 91 | B | so | 1 | PCE | RMGCFMIC | 1K2 | OHM | +5% | 62MI5W |
| R184 | 10135790 | 91 | B | so | 1 | PCE | RMGCFMIC | 1K2 | OHM | +5% | 62MI5W |
| R185 | 10135790 | 91 | B | so | 1 | PCE | RMGCFMIC | 1K2 | OHM | +5% | 62MI5W |
| R186 | 10135960 | 91 | B | so | 1 | PCE | RMGCFMIC | 5K6 | OHM | +5% | 62MI5W |
| R187 | 10134930 | 91 | B | so | 1 | PCE | RMGCFMIC | 560R0 | OHM | +5% | 62MI5W |
| R188 | 10134930 | 91 | B | so | 1 | PCE | RMGCFMIC | 560R0 | OHM | +5% | 62MI5W |
| R189 | 10135400 | 91 | B | so | 1 | PCE | RMGCFMIC | 180K0 | OHM | +5% | 62MI5W |
| R190 | 10135400 | 91 | B | so | 1 | PCE | RMGCFMIC | 180K0 | OHM | +5% | 62MI5W |
| R191 | 10135960 | 91 | B | so | 1 | PCE | RMGCFMIC | 5K6 | OHM | +5% | 62MI5W |
| R192 | 10135960 | 91 | B | so | 1 | PCE | RMGCFMIC | 5K6 | OHM | +5% | 62MI5W |
| R193 | 10135960 | 91 | B | so | 1 | PCE | RMGCFMIC | 5K6 | OHM | +5% | 62MI5W |
| R194 | 10135960 | 91 | B | so | 1 | PCE | RMGCFMIC | 5K6 | OHM | +5% | 62MI5W |
| R195 | 10135960 | 91 | B | so | 1 | PCE | RMGCFMIC | 5K6 | OHM | +5% | 62MI5W |
| R196 | 10135960 | 91 | B | so | 1 | PCE | RMGCFMIC | 5K6 | OHM | +5% | 62MI5W |
| R197 | 10135790 | 91 | B | so | 1 | PCE | RMGCFMIC | 1K2 | OHM | +5% | 62MI5W |
| R198 | 10135790 | 91 | B | so | 1 | PCE | RMGCFMIC | 1K2 | OHM | +5% | 62MI5W |
| R199 | 10135960 | 91 | B | so | 1 | PCE | RMGCFMIC | 5K6 | OHM | +5% | 62MI5W |
| R200 | 10135790 | 91 | B | so | 1 | PCE | RMGCFMIC | 1K2 | OHM | +5% | 62MI5W |
| R201 | 10135790 | 91 | B | so | 1 | PCE | RMGCFMIC | 1K2 | OHM | +5% | 62MI5W |
| R202 | 10135960 | 91 | B | so | 1 | PCE | RMGCFMIC | 5K6 | OHM | +5% | 62MI5W |
| R203 | 10134930 | 91 | B | so | 1 | PCE | RMGCFMIC | 560R0 | OHM | +5% | 62MI5W |
| R204 | 10134930 | 91 | B | so | 1 | PCE | RMGCFMIC | 560R0 | OHM | +5% | 62MI5W |
| R205 | 10135340 | 91 | B | so | 1 | PCE | RMGCFMIC | 100K0 | OHM | +5% | 62MI5W |
| R206 | 10135340 | 91 | B | so | 1 | PCE | RMGCFMIC | 100K0 | OHM | +5% | 62MI5W |
| R207 | 10135400 | 91 | B | so | 1 | PCE | RMGCFMIC | 180K0 | OHM | +5% | 62MI5W |
| R208 | 10135400 | 91 | B | so | 1 | PCE | RMGCFMIC | 180K0 | OHM | +5% | 62MI5W |
| R209 | 10135960 | 91 | B | so | 1 | PCE | RMGCFMIC | 5K6 | OHM | +5% | 62MI5W |
| R210 | 10135960 | 91 | B | so | 1 | PCE | RMGCFMIC | 5K6 | OHM | +5% | 62MI5W |
| R211 | 10135950 | 91 | B | so | 1 | PCE | RMGCFMIC | 5K1 | OHM | +5% | 62MI5W |
| R212 | 10135950 | 91 | B | so | 1 | PCE | RMGCFMIC | 5K1 | OHM | +5% | 62MI5W |
| R213 | 10135960 | 91 | B | so | 1 | PCE | RMGCFMIC | 5K6 | OHM | +5% | 62MI5W |
| R214 | 10135960 | 91 | B | so | 1 | PCE | RMGCFMIC | 5K6 | OHM | +5% | 62MI5W |
| R215 | 10135790 | 91 | B | so | 1 | PCE | RMGCFMIC | 1K2 | OHM | +5% | 62MI5W |
| R216 | 10135790 | 91 | B | so | 1 | PCE | RMGCFMIC | 1K2 | OHM | +5% | 62MI5W |
| R217 | 10135790 | 91 | B | so | 1 | PCE | RMGCFMIC | 1K2 | OHM | +5% | 62MI5W |
| R218 | 10135790 | 91 | B | so | 1 | PCE | RMGCFMIC | 1K2 | OHM | +5% | 62MI5W |
| R219 | 10135960 | 91 | B | so | 1 | PCE | RMGCFMIC | 5K6 | OHM | +5% | 62MI5W |
| R220 | 10135960 | 91 | B | so | 1 | PCE | RMGCFMIC | 5K6 | OHM | +5% | 62MI5W |
| R221 | 10134930 | 91 | B | so | 1 | PCE | RMGCFMIC | 560R0 | OHM | +5% | 62MI5W |
| R222 | 10134930 | 91 | B | so | 1 | PCE | RMGCFMIC | 560R0 | OHM | +5% | 62MI5W |
| R223 | 10135340 | 91 | B | so | 1 | PCE | RMGCFMIC | 100K0 | OHM | +5% | 62MI5W |
| R224 | 10135340 | 91 | B | so | 1 | PCE | RMGCFMIC | 100K0 | OHM | +5% | 62MI5W |
| R225 | 10135820 | 91 | B | so | 1 | PCE | RMGCFMIC | 1K5 | OHM | +5% | 62MI5W |
| R226 | 10135770 | 91 | B | so | 1 | PCE | RMGCFMIC | 1K0 | OHM | +5% | 62MI5W |
| R227 | 10135960 | 91 | B | so | 1 | PCE | RMGCFMIC | 5K6 | OHM | +5% | 62MI5W |
| R228 | 10135960 | 91 | B | so | 1 | PCE | RMGCFMIC | 5K6 | OHM | +5% | 62MI5W |
| R229 | 10135960 | 91 | B | so | 1 | PCE | RMGCFMIC | 5K6 | OHM | +5% | 62MI5W |
| R230 | 10135960 | 91 | B | so | 1 | PCE | RMGCFMIC | 5K6 | OHM | +5% | 62MI5W |

| | | | | | | | | | | | |
|------|----------|----|---|----|---|-----|----------|-------|-----|-----|--------|
| R231 | 10135960 | 91 | B | so | 1 | PCE | RMGCFMIC | 5K6 | OHM | +5% | 62MI5W |
| R232 | 10135960 | 91 | B | so | 1 | PCE | RMGCFMIC | 5K6 | OHM | +5% | 62MI5W |
| R233 | 10135790 | 91 | B | so | 1 | PCE | RMGCFMIC | 1K2 | OHM | +5% | 62MI5W |
| R234 | 10135790 | 91 | B | so | 1 | PCE | RMGCFMIC | 1K2 | OHM | +5% | 62MI5W |
| R235 | 10135790 | 91 | B | so | 1 | PCE | RMGCFMIC | 1K2 | OHM | +5% | 62MI5W |
| R236 | 10135790 | 91 | B | so | 1 | PCE | RMGCFMIC | 1K2 | OHM | +5% | 62MI5W |
| R237 | 10135960 | 91 | B | so | 1 | PCE | RMGCFMIC | 5K6 | OHM | +5% | 62MI5W |
| R238 | 10135960 | 91 | B | so | 1 | PCE | RMGCFMIC | 5K6 | OHM | +5% | 62MI5W |
| R239 | 10134930 | 91 | B | so | 1 | PCE | RMGCFMIC | 560R0 | OHM | +5% | 62MI5W |
| R240 | 10134930 | 91 | B | so | 1 | PCE | RMGCFMIC | 560R0 | OHM | +5% | 62MI5W |
| R241 | 10135340 | 91 | B | so | 1 | PCE | RMGCFMIC | 100K0 | OHM | +5% | 62MI5W |
| R242 | 10135340 | 91 | B | so | 1 | PCE | RMGCFMIC | 100K0 | OHM | +5% | 62MI5W |
| R243 | 10135010 | 91 | B | so | 1 | PCE | RMGCFMIC | 10K0 | OHM | +5% | 62MI5W |
| R244 | 10134410 | 91 | B | so | 1 | PCE | RMGCFMIC | 10R0 | OHM | +5% | 62MI5W |
| R246 | 10135220 | 91 | B | so | 1 | PCE | RMGCFMIC | 47K0 | OHM | +5% | 62MI5W |
| R247 | 10135010 | 91 | B | so | 1 | PCE | RMGCFMIC | 10K0 | OHM | +5% | 62MI5W |
| R248 | 10135010 | 91 | B | so | 1 | PCE | RMGCFMIC | 10K0 | OHM | +5% | 62MI5W |
| R249 | 10135010 | 91 | B | so | 1 | PCE | RMGCFMIC | 10K0 | OHM | +5% | 62MI5W |
| R250 | 10134780 | 91 | B | so | 1 | PCE | RMGCFMIC | 150R0 | OHM | +5% | 62MI5W |
| R251 | 10134780 | 91 | B | so | 1 | PCE | RMGCFMIC | 150R0 | OHM | +5% | 62MI5W |
| R252 | 10134780 | 91 | B | so | 1 | PCE | RMGCFMIC | 150R0 | OHM | +5% | 62MI5W |
| R253 | 10134780 | 91 | B | so | 1 | PCE | RMGCFMIC | 150R0 | OHM | +5% | 62MI5W |
| R254 | 10135010 | 91 | B | so | 1 | PCE | RMGCFMIC | 10K0 | OHM | +5% | 62MI5W |
| R255 | 10135010 | 91 | B | so | 1 | PCE | RMGCFMIC | 10K0 | OHM | +5% | 62MI5W |
| R256 | 10135010 | 91 | B | so | 1 | PCE | RMGCFMIC | 10K0 | OHM | +5% | 62MI5W |
| R257 | 10135010 | 91 | B | so | 1 | PCE | RMGCFMIC | 10K0 | OHM | +5% | 62MI5W |
| R258 | 10135010 | 91 | B | so | 1 | PCE | RMGCFMIC | 10K0 | OHM | +5% | 62MI5W |
| R259 | 10135010 | 91 | B | so | 1 | PCE | RMGCFMIC | 10K0 | OHM | +5% | 62MI5W |
| R260 | 10135090 | 91 | B | so | 1 | PCE | RMGCFMIC | 20K0 | OHM | +5% | 62MI5W |
| R261 | 10135090 | 91 | B | so | 1 | PCE | RMGCFMIC | 20K0 | OHM | +5% | 62MI5W |
| R262 | 10135220 | 91 | B | so | 1 | PCE | RMGCFMIC | 47K0 | OHM | +5% | 62MI5W |
| R263 | 10135220 | 91 | B | so | 1 | PCE | RMGCFMIC | 47K0 | OHM | +5% | 62MI5W |
| R264 | 10135770 | 91 | B | so | 1 | PCE | RMGCFMIC | 1K0 | OHM | +5% | 62MI5W |
| R265 | 10135940 | 91 | B | so | 1 | PCE | RMGCFMIC | 4K7 | OHM | +5% | 62MI5W |
| R268 | 10134740 | 91 | B | so | 1 | PCE | RMGCFMIC | 100R0 | OHM | +5% | 62MI5W |
| R269 | 10134740 | 91 | B | so | 1 | PCE | RMGCFMIC | 100R0 | OHM | +5% | 62MI5W |
| R270 | 10135340 | 91 | B | so | 1 | PCE | RMGCFMIC | 100K0 | OHM | +5% | 62MI5W |
| R271 | 10135340 | 91 | B | so | 1 | PCE | RMGCFMIC | 100K0 | OHM | +5% | 62MI5W |
| R272 | 10135770 | 91 | B | so | 1 | PCE | RMGCFMIC | 1K0 | OHM | +5% | 62MI5W |
| R273 | 10135770 | 91 | B | so | 1 | PCE | RMGCFMIC | 1K0 | OHM | +5% | 62MI5W |
| R274 | 10135790 | 91 | B | so | 1 | PCE | RMGCFMIC | 1K2 | OHM | +5% | 62MI5W |
| R275 | 10135790 | 91 | B | so | 1 | PCE | RMGCFMIC | 1K2 | OHM | +5% | 62MI5W |
| R276 | 10134930 | 91 | B | so | 1 | PCE | RMGCFMIC | 560R0 | OHM | +5% | 62MI5W |
| R277 | 10134930 | 91 | B | so | 1 | PCE | RMGCFMIC | 560R0 | OHM | +5% | 62MI5W |
| R301 | 10134410 | 91 | B | so | 1 | PCE | RMGCFMIC | 10R0 | OHM | +5% | 62MI5W |
| R302 | 10134410 | 91 | B | so | 1 | PCE | RMGCFMIC | 10R0 | OHM | +5% | 62MI5W |
| R303 | 10134410 | 91 | B | so | 1 | PCE | RMGCFMIC | 10R0 | OHM | +5% | 62MI5W |
| R304 | 10134410 | 91 | B | so | 1 | PCE | RMGCFMIC | 10R0 | OHM | +5% | 62MI5W |
| R305 | 10134410 | 91 | B | so | 1 | PCE | RMGCFMIC | 10R0 | OHM | +5% | 62MI5W |
| R306 | 10134410 | 91 | B | so | 1 | PCE | RMGCFMIC | 10R0 | OHM | +5% | 62MI5W |
| R307 | 10134410 | 91 | B | so | 1 | PCE | RMGCFMIC | 10R0 | OHM | +5% | 62MI5W |
| R309 | 10134410 | 91 | B | so | 1 | PCE | RMGCFMIC | 10R0 | OHM | +5% | 62MI5W |
| R310 | 10134410 | 91 | B | so | 1 | PCE | RMGCFMIC | 10R0 | OHM | +5% | 62MI5W |

| | | | | | | | |
|------|----------|----|---|----|---|-----|-------------------------------|
| R312 | 10134910 | 91 | B | so | 1 | PCE | RMGCFMIC 470R0 OHM +5% 62MI5W |
| R313 | 10135940 | 91 | B | so | 1 | PCE | RMGCFMIC 4K7 OHM +5% 62MI5W |
| R314 | 10135770 | 91 | B | so | 1 | PCE | RMGCFMIC 1K0 OHM +5% 62MI5W |
| R315 | 10134410 | 91 | B | so | 1 | PCE | RMGCFMIC 10R0 OHM +5% 62MI5W |
| R316 | 10134410 | 91 | B | so | 1 | PCE | RMGCFMIC 10R0 OHM +5% 62MI5W |
| R317 | 10134410 | 91 | B | so | 1 | PCE | RMGCFMIC 10R0 OHM +5% 62MI5W |
| R318 | 10134410 | 91 | B | so | 1 | PCE | RMGCFMIC 10R0 OHM +5% 62MI5W |
| R319 | 10134410 | 91 | B | so | 1 | PCE | RMGCFMIC 10R0 OHM +5% 62MI5W |
| R320 | 10134410 | 91 | B | so | 1 | PCE | RMGCFMIC 10R0 OHM +5% 62MI5W |
| R321 | 10135770 | 91 | B | so | 1 | PCE | RMGCFMIC 1K0 OHM +5% 62MI5W |

PART NO : 55262150

TITEL : AC ESABD SMD BOT DSP BD AVR5500

| Pos | Tocom# | Pkg | M/B | St | Qty | Unit | SName |
|------|----------|-----|-----|----|-----|------|--|
| BD11 | 55126690 | 50 | B | so | 1 | PCE | FBEAD SURFACE MT 2500OHM FCM2012H-252T02 |
| BD12 | 55126690 | 50 | B | so | 1 | PCE | FBEAD SURFACE MT 2500OHM FCM2012H-252T02 |
| BD14 | 55126690 | 50 | B | so | 1 | PCE | FBEAD SURFACE MT 2500OHM FCM2012H-252T02 |
| BD15 | 55126690 | 50 | B | so | 1 | PCE | FBEAD SURFACE MT 2500OHM FCM2012H-252T02 |
| BD16 | 55126690 | 50 | B | so | 1 | PCE | FBEAD SURFACE MT 2500OHM FCM2012H-252T02 |
| BD17 | 55126690 | 50 | B | so | 1 | PCE | FBEAD SURFACE MT 2500OHM FCM2012H-252T02 |
| BD20 | 55126650 | 50 | B | so | 1 | PCE | FBEAD SURFACE MT 300OHM FCM2012V-301T07 |
| BD21 | 55126650 | 50 | B | so | 1 | PCE | FBEAD SURFACE MT 300OHM FCM2012V-301T07 |
| C103 | 20288040 | 91 | B | so | 1 | PCE | CCCFMIC 100N0F +80% -20% 16.0V Y5V |
| C104 | 20288040 | 91 | B | so | 1 | PCE | CCCFMIC 100N0F +80% -20% 16.0V Y5V |
| C111 | 20288040 | 91 | B | so | 1 | PCE | CCCFMIC 100N0F +80% -20% 16.0V Y5V |
| C112 | 20288040 | 91 | B | so | 1 | PCE | CCCFMIC 100N0F +80% -20% 16.0V Y5V |
| C117 | 20288040 | 91 | B | so | 1 | PCE | CCCFMIC 100N0F +80% -20% 16.0V Y5V |
| C118 | 20288040 | 91 | B | so | 1 | PCE | CCCFMIC 100N0F +80% -20% 16.0V Y5V |
| C121 | 20288040 | 91 | B | so | 1 | PCE | CCCFMIC 100N0F +80% -20% 16.0V Y5V |
| C122 | 20288040 | 91 | B | so | 1 | PCE | CCCFMIC 100N0F +80% -20% 16.0V Y5V |
| C126 | 20288040 | 91 | B | so | 1 | PCE | CCCFMIC 100N0F +80% -20% 16.0V Y5V |
| C127 | 20288040 | 91 | B | so | 1 | PCE | CCCFMIC 100N0F +80% -20% 16.0V Y5V |
| C128 | 20288040 | 91 | B | so | 1 | PCE | CCCFMIC 100N0F +80% -20% 16.0V Y5V |
| C129 | 20288040 | 91 | B | so | 1 | PCE | CCCFMIC 100N0F +80% -20% 16.0V Y5V |
| C130 | 20288040 | 91 | B | so | 1 | PCE | CCCFMIC 100N0F +80% -20% 16.0V Y5V |
| C131 | 20288040 | 91 | B | so | 1 | PCE | CCCFMIC 100N0F +80% -20% 16.0V Y5V |
| C134 | 20288040 | 91 | B | so | 1 | PCE | CCCFMIC 100N0F +80% -20% 16.0V Y5V |
| C136 | 20288040 | 91 | B | so | 1 | PCE | CCCFMIC 100N0F +80% -20% 16.0V Y5V |
| C139 | 20288040 | 91 | B | so | 1 | PCE | CCCFMIC 100N0F +80% -20% 16.0V Y5V |
| C140 | 20288040 | 91 | B | so | 1 | PCE | CCCFMIC 100N0F +80% -20% 16.0V Y5V |
| C141 | 20288040 | 91 | B | so | 1 | PCE | CCCFMIC 100N0F +80% -20% 16.0V Y5V |
| C142 | 20288040 | 91 | B | so | 1 | PCE | CCCFMIC 100N0F +80% -20% 16.0V Y5V |
| C143 | 20288040 | 91 | B | so | 1 | PCE | CCCFMIC 100N0F +80% -20% 16.0V Y5V |
| C144 | 20288040 | 91 | B | so | 1 | PCE | CCCFMIC 100N0F +80% -20% 16.0V Y5V |
| C153 | 20288040 | 91 | B | so | 1 | PCE | CCCFMIC 100N0F +80% -20% 16.0V Y5V |
| C154 | 20288040 | 91 | B | so | 1 | PCE | CCCFMIC 100N0F +80% -20% 16.0V Y5V |
| C155 | 10138670 | 91 | B | so | 1 | PCE | CCCFMIC 3N3F +10% -10% 50.0V X7R |
| C156 | 10138670 | 91 | B | so | 1 | PCE | CCCFMIC 3N3F +10% -10% 50.0V X7R |
| C157 | 20288040 | 91 | B | so | 1 | PCE | CCCFMIC 100N0F +80% -20% 16.0V Y5V |
| C158 | 20288040 | 91 | B | so | 1 | PCE | CCCFMIC 100N0F +80% -20% 16.0V Y5V |
| C159 | 20288040 | 91 | B | so | 1 | PCE | CCCFMIC 100N0F +80% -20% 16.0V Y5V |

| | | | | | | | |
|-------|----------|----|---|----|---|-----|---|
| C168 | 20288040 | 91 | B | so | 1 | PCE | CCCFMIC 100NOF +80% -20% 16.0V Y5V |
| C169 | 20288040 | 91 | B | so | 1 | PCE | CCCFMIC 100NOF +80% -20% 16.0V Y5V |
| C170 | 20288040 | 91 | B | so | 1 | PCE | CCCFMIC 100NOF +80% -20% 16.0V Y5V |
| C171 | 20288040 | 91 | B | so | 1 | PCE | CCCFMIC 100NOF +80% -20% 16.0V Y5V |
| C172 | 20288040 | 91 | B | so | 1 | PCE | CCCFMIC 100NOF +80% -20% 16.0V Y5V |
| C181 | 20288040 | 91 | B | so | 1 | PCE | CCCFMIC 100NOF +80% -20% 16.0V Y5V |
| C182 | 20288040 | 91 | B | so | 1 | PCE | CCCFMIC 100NOF +80% -20% 16.0V Y5V |
| C183 | 20288040 | 91 | B | so | 1 | PCE | CCCFMIC 100NOF +80% -20% 16.0V Y5V |
| C184 | 20288040 | 91 | B | so | 1 | PCE | CCCFMIC 100NOF +80% -20% 16.0V Y5V |
| C193 | 20288040 | 91 | B | so | 1 | PCE | CCCFMIC 100NOF +80% -20% 16.0V Y5V |
| C194 | 20288040 | 91 | B | so | 1 | PCE | CCCFMIC 100NOF +80% -20% 16.0V Y5V |
| C195 | 20288040 | 91 | B | so | 1 | PCE | CCCFMIC 100NOF +80% -20% 16.0V Y5V |
| C196 | 20288040 | 91 | B | so | 1 | PCE | CCCFMIC 100NOF +80% -20% 16.0V Y5V |
| C197 | 20288040 | 91 | B | so | 1 | PCE | CCCFMIC 100NOF +80% -20% 16.0V Y5V |
| C200 | 20288040 | 91 | B | so | 1 | PCE | CCCFMIC 100NOF +80% -20% 16.0V Y5V |
| C201 | 20288040 | 91 | B | so | 1 | PCE | CCCFMIC 100NOF +80% -20% 16.0V Y5V |
| C206 | 20288040 | 91 | B | so | 1 | PCE | CCCFMIC 100NOF +80% -20% 16.0V Y5V |
| C207 | 20288040 | 91 | B | so | 1 | PCE | CCCFMIC 100NOF +80% -20% 16.0V Y5V |
| C208 | 20288040 | 91 | B | so | 1 | PCE | CCCFMIC 100NOF +80% -20% 16.0V Y5V |
| C210 | 20288040 | 91 | B | so | 1 | PCE | CCCFMIC 100NOF +80% -20% 16.0V Y5V |
| C211 | 20288040 | 91 | B | so | 1 | PCE | CCCFMIC 100NOF +80% -20% 16.0V Y5V |
| C212 | 20288040 | 91 | B | so | 1 | PCE | CCCFMIC 100NOF +80% -20% 16.0V Y5V |
| C215 | 20288040 | 91 | B | so | 1 | PCE | CCCFMIC 100NOF +80% -20% 16.0V Y5V |
| C216 | 20288040 | 91 | B | so | 1 | PCE | CCCFMIC 100NOF +80% -20% 16.0V Y5V |
| C3 | 20288040 | 91 | B | so | 1 | PCE | CCCFMIC 100NOF +80% -20% 16.0V Y5V |
| C302 | 20506680 | 91 | B | so | 1 | PCE | CCCFMIC 470P0F +5% -5% 50.0V NP0 |
| C562 | 10375090 | 91 | B | so | 1 | PCE | CCCFMIC 20P0F +5% -5% 50.0V NP0 |
| C563 | 10375090 | 91 | B | so | 1 | PCE | CCCFMIC 20P0F +5% -5% 50.0V NP0 |
| C564 | 20506520 | 91 | B | so | 1 | PCE | CCCFMIC 22P0F +5% -5% 50.0V NP0 |
| C565 | 20506520 | 91 | B | so | 1 | PCE | CCCFMIC 22P0F +5% -5% 50.0V NP0 |
| C566 | 20506520 | 91 | B | so | 1 | PCE | CCCFMIC 22P0F +5% -5% 50.0V NP0 |
| D203 | 20496510 | NR | B | so | 1 | PCE | D-SLP 1SS355 35.0V 225MI0A |
| D204 | 20496510 | NR | B | so | 1 | PCE | D-SLP 1SS355 35.0V 225MI0A |
| IC103 | 55170220 | NR | B | so | 1 | PCE | IC-LOGIC F/F 74VHC574MX FLIP/FLOP HCMOS |
| IC104 | 55170220 | NR | B | so | 1 | PCE | IC-LOGIC F/F 74VHC574MX FLIP/FLOP HCMOS |
| IC112 | 55142610 | NR | B | so | 1 | PCE | IC-OPERAMP NJM2068M DUAL OP |
| IC113 | 20718660 | 65 | B | so | 1 | PCE | IC-LOGIC BU4094BF SHIFT REGISTER CMOS |
| IC114 | 55087180 | 65 | B | so | 1 | PCE | IC-LOGIC BU4051BCF MULTIPLEXER HCT |
| IC120 | 55142610 | NR | B | so | 1 | PCE | IC-OPERAMP NJM2068M DUAL OP |
| IC121 | 55142610 | NR | B | so | 1 | PCE | IC-OPERAMP NJM2068M DUAL OP |
| IC122 | 55142610 | NR | B | so | 1 | PCE | IC-OPERAMP NJM2068M DUAL OP |
| IC123 | 55142610 | NR | B | so | 1 | PCE | IC-OPERAMP NJM2068M DUAL OP |
| IC124 | 55142610 | NR | B | so | 1 | PCE | IC-OPERAMP NJM2068M DUAL OP |
| IC126 | 55142610 | NR | B | so | 1 | PCE | IC-OPERAMP NJM2068M DUAL OP |
| IC127 | 55180060 | NR | B | so | 1 | PCE | IC-SPECFUNC NJU6324M SOP8 CMOS-CRYSTAL |
| Q102 | 55133330 | 92 | B | so | 1 | PCE | TR-SSD DTC114TKA N 10K0 OHM |
| Q103 | 55133330 | 92 | B | so | 1 | PCE | TR-SSD DTC114TKA N 10K0 OHM |
| R160 | 10134740 | 91 | B | so | 1 | PCE | RMGCFMIC 100R0 OHM +5% 62MI5W |
| R161 | 10134740 | 91 | B | so | 1 | PCE | RMGCFMIC 100R0 OHM +5% 62MI5W |
| R245 | 10134410 | 91 | B | so | 1 | PCE | RMGCFMIC 10R0 OHM +5% 62MI5W |
| R266 | 10135010 | 91 | B | so | 1 | PCE | RMGCFMIC 10K0 OHM +5% 62MI5W |
| R267 | 10135010 | 91 | B | so | 1 | PCE | RMGCFMIC 10K0 OHM +5% 62MI5W |
| R322 | 10134740 | 91 | B | so | 1 | PCE | RMGCFMIC 100R0 OHM +5% 62MI5W |

| | | | | | | | |
|------|----------|----|---|----|---|-----|-------------------------------|
| R323 | 10134740 | 91 | B | so | 1 | PCE | RMGCFMIC 100R0 OHM +5% 62MI5W |
|------|----------|----|---|----|---|-----|-------------------------------|

PART NO : 55261820

TITEL : AC EMBD IMA FRONT BD AVR5500

| Pos | Tocom# | Pkg | M/B | St | Qty | Unit | SName |
|-------|----------|-----|-----|----|-------|------|--|
| 020 | 55261970 | | M | SO | 1 | PCE | AC ESABD IAU FRONT BD AVR5500 |
| 030 | 55188960 | | X | ud | 1 | PCE | AC SCHEMATIC FRONT BD AVR520 OEM |
| 040 | 20290150 | | B | so | 0.015 | KG | SOLDER BAR 52SN/45PB/3SB BAR |
| 041 | 15481260 | | B | so | 0.015 | L | SLDC FLUX LRES FOAM SM32DHT-2 |
| 050 | 70436540 | 16 | B | so | 1 | PCE | D-SLP 1N4148 100.0V 150E-3A |
| C203 | 20267830 | 30 | B | so | 1 | PCE | CE 47U0F +20% 16.0V 85C |
| C210 | 20268880 | 30 | B | so | 1 | PCE | CE 10U0F +20% 50.0V 85C |
| C216 | 55134360 | 00 | B | so | 1 | PCE | CM 47MI0F +80% -20% 5.5V 70C |
| CN201 | 55175770 | NR | B | po | 1 | PCE | WIRECONASY UNIQUE 7P 450MM UL2791 SHIELD 24 1 |
| CN202 | 55175780 | NR | B | po | 1 | PCE | WIRECONASY UNIQUE 3P 620MM UL2791 SHIELD 24 1 |
| CN203 | 55175810 | NR | B | so | 1 | PCE | WIRECONASY UNIQUE 9P 400MM UL1007 PVC DISCRETE |
| CN204 | 55175790 | NR | B | so | 1 | PCE | WIRECONASY UNIQUE 4P 100MM UL1007 PVC DISCRETE |
| CN205 | 55175840 | NR | B | so | 1 | PCE | WIRECONASY UNIQUE 4P 360MM UL1533 SHIELD 28 1 |
| CN206 | 55175830 | NR | B | so | 1 | PCE | WIRECONASY UNIQUE 10P 220MM UL1533 SHIELD 28 1 |
| CN208 | 55179520 | NR | B | so | 1 | PCE | FFC-JUMPER 27X 1.25MM 500MM |
| CN209 | 55175850 | NR | B | so | 1 | PCE | WIRECONASY UNIQUE 8P 500MM UL1533 SHIELD 28 1 |
| CN210 | 55175880 | NR | B | so | 1 | PCE | WIRECONASY UNIQUE 2P 100MM UL1007 PVC DISCRETE |
| CN211 | 55182560 | NR | B | so | 1 | PCE | WIRECONASY UNIQUE 5P 300MM UL1007 PVC DISCRETE |
| CP201 | 55179450 | | B | ud | 1 | PCE | CONN 1.25MM 27 FE R WH GF120-27S-LS 2794 A6 |
| CP203 | 55123340 | | B | so | 1 | PCE | CONN 2.0MM 8 MA ST NAT LW2002P08 0 0 |
| CP204 | 55123320 | | B | so | 1 | PCE | CONN 2.0MM 5 MA ST NAT LW2002P05 0 0 |
| D201 | 55179290 | NR | B | so | 0 | PCE | D-LEM LTL-1CHGEC P-GN RND CL |
| D201 | 55199400 | NR | B | so | 1 | PCE | D-LEM CT-3SGTA GN RND 3.0 CL 20.0CD |
| D202 | 55179290 | NR | B | so | 0 | PCE | D-LEM LTL-1CHGEC P-GN RND CL |
| D202 | 55199400 | NR | B | so | 1 | PCE | D-LEM CT-3SGTA GN RND 3.0 CL 20.0CD |
| D203 | 55179290 | NR | B | so | 0 | PCE | D-LEM LTL-1CHGEC P-GN RND CL |
| D203 | 55199400 | NR | B | so | 1 | PCE | D-LEM CT-3SGTA GN RND 3.0 CL 20.0CD |
| D204 | 55179290 | NR | B | so | 0 | PCE | D-LEM LTL-1CHGEC P-GN RND CL |
| D204 | 55199400 | NR | B | so | 1 | PCE | D-LEM CT-3SGTA GN RND 3.0 CL 20.0CD |
| D205 | 55179290 | NR | B | so | 0 | PCE | D-LEM LTL-1CHGEC P-GN RND CL |
| D205 | 55199400 | NR | B | so | 1 | PCE | D-LEM CT-3SGTA GN RND 3.0 CL 20.0CD |
| D206 | 55179290 | NR | B | so | 0 | PCE | D-LEM LTL-1CHGEC P-GN RND CL |
| D206 | 55199400 | NR | B | so | 1 | PCE | D-LEM CT-3SGTA GN RND 3.0 CL 20.0CD |
| D207 | 55179290 | NR | B | so | 0 | PCE | D-LEM LTL-1CHGEC P-GN RND CL |
| D207 | 55199400 | NR | B | so | 1 | PCE | D-LEM CT-3SGTA GN RND 3.0 CL 20.0CD |
| D208 | 55179290 | NR | B | so | 0 | PCE | D-LEM LTL-1CHGEC P-GN RND CL |
| D208 | 55199400 | NR | B | so | 1 | PCE | D-LEM CT-3SGTA GN RND 3.0 CL 20.0CD |
| D209 | 55179290 | NR | B | so | 0 | PCE | D-LEM LTL-1CHGEC P-GN RND CL |
| D209 | 55199400 | NR | B | so | 1 | PCE | D-LEM CT-3SGTA GN RND 3.0 CL 20.0CD |
| D210 | 55179290 | NR | B | so | 0 | PCE | D-LEM LTL-1CHGEC P-GN RND CL |
| D210 | 55199400 | NR | B | so | 1 | PCE | D-LEM CT-3SGTA GN RND 3.0 CL 20.0CD |
| D211 | 55179290 | NR | B | so | 0 | PCE | D-LEM LTL-1CHGEC P-GN RND CL |
| D211 | 55199400 | NR | B | so | 1 | PCE | D-LEM CT-3SGTA GN RND 3.0 CL 20.0CD |
| D212 | 55179290 | NR | B | so | 0 | PCE | D-LEM LTL-1CHGEC P-GN RND CL |
| D212 | 55199400 | NR | B | so | 1 | PCE | D-LEM CT-3SGTA GN RND 3.0 CL 20.0CD |
| D213 | 55179290 | NR | B | so | 0 | PCE | D-LEM LTL-1CHGEC P-GN RND CL |
| D213 | 55199400 | NR | B | so | 1 | PCE | D-LEM CT-3SGTA GN RND 3.0 CL 20.0CD |
| D214 | 55179290 | NR | B | so | 0 | PCE | D-LEM LTL-1CHGEC P-GN RND CL |
| D214 | 55199400 | NR | B | so | 1 | PCE | D-LEM CT-3SGTA GN RND 3.0 CL 20.0CD |

| | | | | | | | |
|-------|----------|----|---|----|---|-----|--|
| D241 | 55199400 | NR | B | so | 1 | PCE | D-LEM CT-3SGTA GN RND 3.0 CL 20.0CD |
| D242 | 55179290 | NR | B | so | 0 | PCE | D-LEM LTL-1CHGEC P-GN RND CL |
| D242 | 55199400 | NR | B | so | 1 | PCE | D-LEM CT-3SGTA GN RND 3.0 CL 20.0CD |
| D243 | 55179290 | NR | B | so | 0 | PCE | D-LEM LTL-1CHGEC P-GN RND CL |
| D243 | 55199400 | NR | B | so | 1 | PCE | D-LEM CT-3SGTA GN RND 3.0 CL 20.0CD |
| D244 | 55179290 | NR | B | so | 0 | PCE | D-LEM LTL-1CHGEC P-GN RND CL |
| D244 | 55199400 | NR | B | so | 1 | PCE | D-LEM CT-3SGTA GN RND 3.0 CL 20.0CD |
| D245 | 55179290 | NR | B | so | 0 | PCE | D-LEM LTL-1CHGEC P-GN RND CL |
| D245 | 55199400 | NR | B | so | 1 | PCE | D-LEM CT-3SGTA GN RND 3.0 CL 20.0CD |
| D246 | 55179290 | NR | B | so | 0 | PCE | D-LEM LTL-1CHGEC P-GN RND CL |
| D246 | 55199400 | NR | B | so | 1 | PCE | D-LEM CT-3SGTA GN RND 3.0 CL 20.0CD |
| D247 | 55179290 | NR | B | so | 0 | PCE | D-LEM LTL-1CHGEC P-GN RND CL |
| D247 | 55199400 | NR | B | so | 1 | PCE | D-LEM CT-3SGTA GN RND 3.0 CL 20.0CD |
| D256 | 55179310 | NR | B | so | 1 | PCE | D-LEM RED/GREEN 3PIE RD RND CL |
| D257 | 55179310 | NR | B | so | 1 | PCE | D-LEM RED/GREEN 3PIE RD RND CL |
| D258 | 55179290 | NR | B | so | 0 | PCE | D-LEM LTL-1CHGEC P-GN RND CL |
| D258 | 55199400 | NR | B | so | 1 | PCE | D-LEM CT-3SGTA GN RND 3.0 CL 20.0CD |
| D259 | 55179290 | NR | B | so | 0 | PCE | D-LEM LTL-1CHGEC P-GN RND CL |
| D259 | 55199400 | NR | B | so | 1 | PCE | D-LEM CT-3SGTA GN RND 3.0 CL 20.0CD |
| D260 | 55179290 | NR | B | so | 0 | PCE | D-LEM LTL-1CHGEC P-GN RND CL |
| D260 | 55199400 | NR | B | so | 1 | PCE | D-LEM CT-3SGTA GN RND 3.0 CL 20.0CD |
| D265 | 55179290 | NR | B | so | 0 | PCE | D-LEM LTL-1CHGEC P-GN RND CL |
| D265 | 55199400 | NR | B | so | 1 | PCE | D-LEM CT-3SGTA GN RND 3.0 CL 20.0CD |
| D266 | 55179290 | NR | B | so | 0 | PCE | D-LEM LTL-1CHGEC P-GN RND CL |
| D266 | 55199400 | NR | B | so | 1 | PCE | D-LEM CT-3SGTA GN RND 3.0 CL 20.0CD |
| D267 | 55179290 | NR | B | so | 0 | PCE | D-LEM LTL-1CHGEC P-GN RND CL |
| D267 | 55199400 | NR | B | so | 1 | PCE | D-LEM CT-3SGTA GN RND 3.0 CL 20.0CD |
| D268 | 55179290 | NR | B | so | 0 | PCE | D-LEM LTL-1CHGEC P-GN RND CL |
| D268 | 55199400 | NR | B | so | 1 | PCE | D-LEM CT-3SGTA GN RND 3.0 CL 20.0CD |
| FL201 | 55182450 | NR | B | so | 1 | PCE | DISPLAY VFD HNA-16LL18 |
| FN201 | 55177570 | | B | ud | 1 | PCE | AC PUN SHIELD FENCE TONE |
| IC201 | 55285930 | HE | B | ud | 1 | PCE | IC-MICROCONT CXP82860-354Q MAIN AVR4500/5500 |
| IC205 | 55142240 | NR | B | so | 1 | PCE | IC-OPERAMP NJM2068DD DUAL OP |
| JA201 | 55113740 | | B | so | 1 | PCE | CON PHONO SCKT RCA-307 3 PINS |
| JA202 | 55113960 | | B | so | 1 | PCE | CON DIN SCKT SOCKET CONNECTOR SVHS EST-S408J |
| L201 | 55179380 | 16 | B | ud | 1 | PCE | LF 4U7H +10% 1.7 OHM 190.0A |
| L202 | 55179380 | 16 | B | ud | 1 | PCE | LF 4U7H +10% 1.7 OHM 190.0A |
| RM201 | 55155930 | NR | B | so | 1 | PCE | IC-REMOTE RPM6938-RSIP-A3 RECEIVER 38KHZ |
| VR201 | 55134900 | NR | B | so | 1 | PCE | SWIROT EC16B24204A5 5V 500U0A 10T 3P 0 0 |
| VR202 | 55179920 | 00 | B | ud | 1 | PCE | PR-ROT 100K0 OHM NON-LINEAR RK14K12400BR 0 0 |
| VR203 | 55179920 | 00 | B | ud | 1 | PCE | PR-ROT 100K0 OHM NON-LINEAR RK14K12400BR 0 0 |
| VR204 | 55179910 | 00 | B | ud | 1 | PCE | PR-ROT 100K0 OHM NON-LINEAR RK14K12400BQ 0 0 |
| W201 | 55180140 | NR | B | so | 1 | PCE | WIRECONASY UNIQUE 1P 200MM UL1007 PVC DISCRETE |
| X201 | 55179650 | NR | B | ud | 1 | PCE | CRESONATOR 10M0 HZ 25.0 OHM 0F |

PART NO : 55261970

TITEL : AC ESABD IAU FRONT BD AVR5500

| Pos | Tocom# | Pkg | M/B | St | Qty | Unit | SName |
|------|----------|-----|-----|----|-----|------|----------------------------------|
| 020 | 55262090 | | M | SO | 1 | PCE | AC ESABD SMD FRONT BD AVR5500 |
| 050 | 55182490 | | B | po | 1 | PCE | AC PCB FRONT AVR520 SINGLE LAYER |
| C201 | 20267830 | 30 | B | so | 1 | PCE | CE 47U0F +20% 16.0V 85C |

| | | | | | | | |
|-------|----------|----|---|----|---|-----|------------------------------------|
| C202 | 20267830 | 30 | B | so | 1 | PCE | CE 47U0F +20% 16.0V 85C |
| C203 | 20267830 | 30 | B | so | 1 | PCE | CE 47U0F +20% 16.0V 85C |
| C204 | 20269010 | 30 | B | so | 1 | PCE | CE 47U0F +20% 50.0V 85C |
| C210 | 20268880 | 30 | B | so | 1 | PCE | CE 10U0F +20% 50.0V 85C |
| C214 | 20267830 | 30 | B | so | 1 | PCE | CE 47U0F +20% 16.0V 85C |
| C215 | 20267830 | 30 | B | so | 1 | PCE | CE 47U0F +20% 16.0V 85C |
| C219 | 20269010 | 30 | B | so | 1 | PCE | CE 47U0F +20% 50.0V 85C |
| C220 | 20268880 | 30 | B | so | 1 | PCE | CE 10U0F +20% 50.0V 85C |
| C232 | 20267830 | 30 | B | so | 1 | PCE | CE 47U0F +20% 16.0V 85C |
| C233 | 20267830 | 30 | B | so | 1 | PCE | CE 47U0F +20% 16.0V 85C |
| C234 | 20268950 | 30 | B | so | 1 | PCE | CE 100N0F +20% 50.0V 85C |
| C235 | 10364820 | 71 | B | so | 1 | PCE | CPF 47N0F +10% 100.0V |
| C236 | 10364820 | 71 | B | so | 1 | PCE | CPF 47N0F +10% 100.0V |
| CL201 | 15002130 | 30 | B | so | 1 | PCE | CE 10U0F +20% 16.0V 85C |
| CL202 | 30936230 | 71 | B | so | 1 | PCE | CC 100P0F +5% -5% 50.0V NP0 |
| CL203 | 80434590 | 71 | B | so | 1 | PCE | CC 22P0F +5% -5% 50.0V NP0 |
| CL204 | 15002130 | 30 | B | so | 1 | PCE | CE 10U0F +20% 16.0V 85C |
| CL205 | 15002130 | 30 | B | so | 1 | PCE | CE 10U0F +20% 16.0V 85C |
| CL206 | 55179370 | 71 | B | so | 1 | PCE | CPM 18N0F +5% 100.0V |
| CL207 | 55179410 | NR | B | so | 1 | PCE | CPM 82N0F +5% 100.0V |
| CL208 | 55179390 | 71 | B | so | 1 | PCE | CPM 3N3F +5% 100.0V |
| CL209 | 55179370 | 71 | B | so | 1 | PCE | CPM 18N0F +5% 100.0V |
| CR201 | 15002130 | 30 | B | so | 1 | PCE | CE 10U0F +20% 16.0V 85C |
| CR202 | 30936230 | 71 | B | so | 1 | PCE | CC 100P0F +5% -5% 50.0V NP0 |
| CR203 | 80434590 | 71 | B | so | 1 | PCE | CC 22P0F +5% -5% 50.0V NP0 |
| CR204 | 15002130 | 30 | B | so | 1 | PCE | CE 10U0F +20% 16.0V 85C |
| CR205 | 15002130 | 30 | B | so | 1 | PCE | CE 10U0F +20% 16.0V 85C |
| CR206 | 55179370 | 71 | B | so | 1 | PCE | CPM 18N0F +5% 100.0V |
| CR207 | 55179410 | NR | B | so | 1 | PCE | CPM 82N0F +5% 100.0V |
| CR208 | 55179390 | 71 | B | so | 1 | PCE | CPM 3N3F +5% 100.0V |
| CR209 | 55179370 | 71 | B | so | 1 | PCE | CPM 18N0F +5% 100.0V |
| Q222 | 55133210 | 56 | B | so | 1 | PCE | TR-SLPLF DTC114YSA N 100MI0A |
| Q222 | 55179230 | 56 | B | so | 0 | PCE | TR-SLPSWA KRC107M N |
| Q223 | 55133210 | 56 | B | so | 1 | PCE | TR-SLPLF DTC114YSA N 100MI0A |
| Q223 | 55179230 | 56 | B | so | 0 | PCE | TR-SLPSWA KRC107M N |
| Q224 | 55133210 | 56 | B | so | 1 | PCE | TR-SLPLF DTC114YSA N 100MI0A |
| Q224 | 55179230 | 56 | B | so | 0 | PCE | TR-SLPSWA KRC107M N |
| Q225 | 55133210 | 56 | B | so | 1 | PCE | TR-SLPLF DTC114YSA N 100MI0A |
| Q225 | 55179230 | 56 | B | so | 0 | PCE | TR-SLPSWA KRC107M N |
| Q226 | 55133210 | 56 | B | so | 1 | PCE | TR-SLPLF DTC114YSA N 100MI0A |
| Q226 | 55179230 | 56 | B | so | 0 | PCE | TR-SLPSWA KRC107M N |
| Q227 | 55142670 | 56 | B | so | 1 | PCE | TR-SLPLF MPSA06 N 500MI0A |
| Q233 | 55133350 | 56 | B | so | 1 | PCE | TR-SLPLF MPSA56 Y P -500MI0A -300V |
| Q235 | 55133210 | 56 | B | so | 1 | PCE | TR-SLPLF DTC114YSA N 100MI0A |
| Q235 | 55179230 | 56 | B | so | 0 | PCE | TR-SLPSWA KRC107M N |
| Q241 | 55133290 | 56 | B | so | 1 | PCE | TR-SLPLF KTD1302 B N 300MI0A 20V |
| Q242 | 55133290 | 56 | B | so | 1 | PCE | TR-SLPLF KTD1302 B N 300MI0A 20V |
| R201 | 11059640 | 16 | B | so | 1 | PCE | RCF 1K0 OHM +5% 250MI0W |
| R202 | 11059640 | 16 | B | so | 1 | PCE | RCF 1K0 OHM +5% 250MI0W |

PART NO : 55262090

TITEL : AC ESABD SMD FRONT BD AVR5500

| Pos | Tocom# | Pkg | M/B | St | Qty | Unit | SName |
|-------|----------|-----|-----|----|-----|------|---------------------------------------|
| C205 | 20267290 | 91 | B | so | 1 | PCE | CCCFMIN 100NOF +80% -20% 50.0V Y5V |
| C206 | 50882360 | 91 | B | so | 1 | PCE | CCCFMIN 33P0F +5% -5% 50.0V NP0 |
| C208 | 50882360 | 91 | B | so | 1 | PCE | CCCFMIN 33P0F +5% -5% 50.0V NP0 |
| C209 | 20267290 | 91 | B | so | 1 | PCE | CCCFMIN 100NOF +80% -20% 50.0V Y5V |
| C211 | 15070900 | 91 | B | so | 1 | PCE | CCCFMIN 820P0F +10% -10% 50.0V NP0 |
| C212 | 15070900 | 91 | B | so | 1 | PCE | CCCFMIN 820P0F +10% -10% 50.0V NP0 |
| C213 | 20267290 | 91 | B | so | 1 | PCE | CCCFMIN 100NOF +80% -20% 50.0V Y5V |
| C217 | 20267290 | 91 | B | so | 1 | PCE | CCCFMIN 100NOF +80% -20% 50.0V Y5V |
| C218 | 20267290 | 91 | B | so | 1 | PCE | CCCFMIN 100NOF +80% -20% 50.0V Y5V |
| C228 | 11058670 | 91 | B | so | 1 | PCE | CCCFMIN 100P0F +5% -5% 50.0V NP0 |
| C229 | 11058670 | 91 | B | so | 1 | PCE | CCCFMIN 100P0F +5% -5% 50.0V NP0 |
| C230 | 11058670 | 91 | B | so | 1 | PCE | CCCFMIN 100P0F +5% -5% 50.0V NP0 |
| C237 | 20267290 | 91 | B | so | 1 | PCE | CCCFMIN 100NOF +80% -20% 50.0V Y5V |
| C238 | 20267290 | 91 | B | so | 1 | PCE | CCCFMIN 100NOF +80% -20% 50.0V Y5V |
| C239 | 20267290 | 91 | B | so | 1 | PCE | CCCFMIN 100NOF +80% -20% 50.0V Y5V |
| C240 | 20267290 | 91 | B | so | 1 | PCE | CCCFMIN 100NOF +80% -20% 50.0V Y5V |
| C241 | 20267290 | 91 | B | so | 1 | PCE | CCCFMIN 100NOF +80% -20% 50.0V Y5V |
| C242 | 20267290 | 91 | B | so | 1 | PCE | CCCFMIN 100NOF +80% -20% 50.0V Y5V |
| C244 | 20267290 | 91 | B | so | 1 | PCE | CCCFMIN 100NOF +80% -20% 50.0V Y5V |
| C245 | 20267290 | 91 | B | so | 1 | PCE | CCCFMIN 100NOF +80% -20% 50.0V Y5V |
| C246 | 11058670 | 91 | B | so | 1 | PCE | CCCFMIN 100P0F +5% -5% 50.0V NP0 |
| C247 | 11058670 | 91 | B | so | 1 | PCE | CCCFMIN 100P0F +5% -5% 50.0V NP0 |
| C248 | 11058670 | 91 | B | so | 1 | PCE | CCCFMIN 100P0F +5% -5% 50.0V NP0 |
| CL211 | 11058670 | 91 | B | so | 1 | PCE | CCCFMIN 100P0F +5% -5% 50.0V NP0 |
| CR211 | 11058670 | 91 | B | so | 1 | PCE | CCCFMIN 100P0F +5% -5% 50.0V NP0 |
| D248 | 20496510 | NR | B | so | 1 | PCE | D-SLP 1SS355 35.0V 225MI0A |
| D249 | 20496510 | NR | B | so | 1 | PCE | D-SLP 1SS355 35.0V 225MI0A |
| D250 | 20496510 | NR | B | so | 1 | PCE | D-SLP 1SS355 35.0V 225MI0A |
| D251 | 20496510 | NR | B | so | 1 | PCE | D-SLP 1SS355 35.0V 225MI0A |
| D253 | 20496510 | NR | B | so | 1 | PCE | D-SLP 1SS355 35.0V 225MI0A |
| D254 | 20496510 | NR | B | so | 1 | PCE | D-SLP 1SS355 35.0V 225MI0A |
| D255 | 20496510 | NR | B | so | 1 | PCE | D-SLP 1SS355 35.0V 225MI0A |
| D261 | 20496510 | NR | B | so | 1 | PCE | D-SLP 1SS355 35.0V 225MI0A |
| D262 | 20496510 | NR | B | so | 1 | PCE | D-SLP 1SS355 35.0V 225MI0A |
| D263 | 80440510 | 91 | B | so | 1 | PCE | RMGCFMIN 0 OHM +0% 100MI0W |
| D264 | 80440510 | 91 | B | so | 1 | PCE | RMGCFMIN 0 OHM +0% 100MI0W |
| IC202 | 20718660 | 65 | B | so | 1 | PCE | IC-LOGIC BU4094BF SHIFT REGISTER CMOS |
| IC203 | 20718660 | 65 | B | so | 1 | PCE | IC-LOGIC BU4094BF SHIFT REGISTER CMOS |
| IC204 | 20718660 | 65 | B | so | 1 | PCE | IC-LOGIC BU4094BF SHIFT REGISTER CMOS |
| J173 | 80440510 | 91 | B | so | 1 | PCE | RMGCFMIN 0 OHM +0% 100MI0W |
| J201 | 80440510 | 91 | B | so | 1 | PCE | RMGCFMIN 0 OHM +0% 100MI0W |
| J206 | 80440510 | 91 | B | so | 1 | PCE | RMGCFMIN 0 OHM +0% 100MI0W |
| J207 | 80440510 | 91 | B | so | 1 | PCE | RMGCFMIN 0 OHM +0% 100MI0W |
| J210 | 80440510 | 91 | B | so | 1 | PCE | RMGCFMIN 0 OHM +0% 100MI0W |
| J211 | 80440510 | 91 | B | so | 1 | PCE | RMGCFMIN 0 OHM +0% 100MI0W |
| J212 | 80440510 | 91 | B | so | 1 | PCE | RMGCFMIN 0 OHM +0% 100MI0W |
| J213 | 80440510 | 91 | B | so | 1 | PCE | RMGCFMIN 0 OHM +0% 100MI0W |
| J214 | 80440510 | 91 | B | so | 1 | PCE | RMGCFMIN 0 OHM +0% 100MI0W |
| J215 | 80440510 | 91 | B | so | 1 | PCE | RMGCFMIN 0 OHM +0% 100MI0W |
| J216 | 80440510 | 91 | B | so | 1 | PCE | RMGCFMIN 0 OHM +0% 100MI0W |
| J217 | 80440510 | 91 | B | so | 1 | PCE | RMGCFMIN 0 OHM +0% 100MI0W |

| | | | | | | | |
|------|----------|----|---|----|---|-----|--------------------------------------|
| Q220 | 55050920 | 92 | B | so | 0 | PCE | TR-SSD KRC111S N 10K0 OHM |
| Q220 | 55133330 | 92 | B | so | 1 | PCE | TR-SSD DTC114TKA N 10K0 OHM |
| Q221 | 55050920 | 92 | B | so | 0 | PCE | TR-SSD KRC111S N 10K0 OHM |
| Q221 | 55133330 | 92 | B | so | 1 | PCE | TR-SSD DTC114TKA N 10K0 OHM |
| Q228 | 55051240 | 92 | B | so | 0 | PCE | TR-SSD KRC107S N 10K0 OHM 47K0 OHM |
| Q228 | 55133180 | 92 | B | so | 1 | PCE | TR-SSD DTC114YKA N 10K0 OHM 47K0 OHM |
| Q229 | 55051240 | 92 | B | so | 0 | PCE | TR-SSD KRC107S N 10K0 OHM 47K0 OHM |
| Q229 | 55133180 | 92 | B | so | 1 | PCE | TR-SSD DTC114YKA N 10K0 OHM 47K0 OHM |
| Q231 | 55051240 | 92 | B | so | 0 | PCE | TR-SSD KRC107S N 10K0 OHM 47K0 OHM |
| Q231 | 55133180 | 92 | B | so | 1 | PCE | TR-SSD DTC114YKA N 10K0 OHM 47K0 OHM |
| Q232 | 55051240 | 92 | B | so | 0 | PCE | TR-SSD KRC107S N 10K0 OHM 47K0 OHM |
| Q232 | 55133180 | 92 | B | so | 1 | PCE | TR-SSD DTC114YKA N 10K0 OHM 47K0 OHM |
| Q234 | 55051240 | 92 | B | so | 0 | PCE | TR-SSD KRC107S N 10K0 OHM 47K0 OHM |
| Q234 | 55133180 | 92 | B | so | 1 | PCE | TR-SSD DTC114YKA N 10K0 OHM 47K0 OHM |
| Q236 | 55051260 | 92 | B | so | 0 | PCE | TR-SSD KRA107S P 10K0 OHM 47K0 OHM |
| Q236 | 55133190 | 92 | B | so | 1 | PCE | TR-SSD DTA114YKA P 10K0 OHM 47K0 OHM |
| Q237 | 55051240 | 92 | B | so | 0 | PCE | TR-SSD KRC107S N 10K0 OHM 47K0 OHM |
| Q237 | 55133180 | 92 | B | so | 1 | PCE | TR-SSD DTC114YKA N 10K0 OHM 47K0 OHM |
| Q239 | 55050920 | 92 | B | so | 0 | PCE | TR-SSD KRC111S N 10K0 OHM |
| Q239 | 55133330 | 92 | B | so | 1 | PCE | TR-SSD DTC114TKA N 10K0 OHM |
| Q240 | 55050920 | 92 | B | so | 0 | PCE | TR-SSD KRC111S N 10K0 OHM |
| Q240 | 55133330 | 92 | B | so | 1 | PCE | TR-SSD DTC114TKA N 10K0 OHM |
| Q243 | 55051260 | 92 | B | so | 0 | PCE | TR-SSD KRA107S P 10K0 OHM 47K0 OHM |
| Q243 | 55133190 | 92 | B | so | 1 | PCE | TR-SSD DTA114YKA P 10K0 OHM 47K0 OHM |
| Q244 | 55051240 | 92 | B | so | 0 | PCE | TR-SSD KRC107S N 10K0 OHM 47K0 OHM |
| Q244 | 55133180 | 92 | B | so | 1 | PCE | TR-SSD DTC114YKA N 10K0 OHM 47K0 OHM |
| R205 | 50886610 | 91 | B | so | 1 | PCE | RMGCFMIN 10K0 OHM +5% 100MIOW |
| R206 | 60444350 | 91 | B | so | 1 | PCE | RMGCFMIN 47R0 OHM +5% 100MIOW |
| R207 | 60444350 | 91 | B | so | 1 | PCE | RMGCFMIN 47R0 OHM +5% 100MIOW |
| R208 | 60444350 | 91 | B | so | 1 | PCE | RMGCFMIN 47R0 OHM +5% 100MIOW |
| R209 | 60444350 | 91 | B | so | 1 | PCE | RMGCFMIN 47R0 OHM +5% 100MIOW |
| R211 | 60444350 | 91 | B | so | 1 | PCE | RMGCFMIN 47R0 OHM +5% 100MIOW |
| R213 | 60444350 | 91 | B | so | 1 | PCE | RMGCFMIN 47R0 OHM +5% 100MIOW |
| R216 | 60444350 | 91 | B | so | 1 | PCE | RMGCFMIN 47R0 OHM +5% 100MIOW |
| R217 | 80440370 | 91 | B | so | 1 | PCE | RMGCFMIN 150R0 OHM +5% 100MIOW |
| R218 | 60444350 | 91 | B | so | 1 | PCE | RMGCFMIN 47R0 OHM +5% 100MIOW |
| R220 | 60444350 | 91 | B | so | 1 | PCE | RMGCFMIN 47R0 OHM +5% 100MIOW |
| R222 | 60444350 | 91 | B | so | 1 | PCE | RMGCFMIN 47R0 OHM +5% 100MIOW |
| R224 | 60444350 | 91 | B | so | 1 | PCE | RMGCFMIN 47R0 OHM +5% 100MIOW |
| R226 | 60444350 | 91 | B | so | 1 | PCE | RMGCFMIN 47R0 OHM +5% 100MIOW |
| R227 | 80440370 | 91 | B | so | 1 | PCE | RMGCFMIN 150R0 OHM +5% 100MIOW |
| R228 | 80440370 | 91 | B | so | 1 | PCE | RMGCFMIN 150R0 OHM +5% 100MIOW |
| R229 | 80440370 | 91 | B | so | 1 | PCE | RMGCFMIN 150R0 OHM +5% 100MIOW |
| R230 | 80440370 | 91 | B | so | 1 | PCE | RMGCFMIN 150R0 OHM +5% 100MIOW |
| R231 | 80440370 | 91 | B | so | 1 | PCE | RMGCFMIN 150R0 OHM +5% 100MIOW |
| R232 | 80440370 | 91 | B | so | 1 | PCE | RMGCFMIN 150R0 OHM +5% 100MIOW |
| R233 | 80440370 | 91 | B | so | 1 | PCE | RMGCFMIN 150R0 OHM +5% 100MIOW |
| R234 | 80440370 | 91 | B | so | 1 | PCE | RMGCFMIN 150R0 OHM +5% 100MIOW |
| R235 | 80440370 | 91 | B | so | 1 | PCE | RMGCFMIN 150R0 OHM +5% 100MIOW |
| R236 | 80440370 | 91 | B | so | 1 | PCE | RMGCFMIN 150R0 OHM +5% 100MIOW |
| R237 | 80440370 | 91 | B | so | 1 | PCE | RMGCFMIN 150R0 OHM +5% 100MIOW |
| R238 | 80440370 | 91 | B | so | 1 | PCE | RMGCFMIN 150R0 OHM +5% 100MIOW |
| R239 | 80440370 | 91 | B | so | 1 | PCE | RMGCFMIN 150R0 OHM +5% 100MIOW |

| | | | | | | | |
|------|----------|----|---|----|---|-----|--------------------------------|
| R240 | 80440370 | 91 | B | so | 1 | PCE | RMGCFMIN 150R0 OHM +5% 100MIOW |
| R241 | 80440370 | 91 | B | so | 1 | PCE | RMGCFMIN 150R0 OHM +5% 100MIOW |
| R242 | 80440370 | 91 | B | so | 1 | PCE | RMGCFMIN 150R0 OHM +5% 100MIOW |
| R243 | 80440370 | 91 | B | so | 1 | PCE | RMGCFMIN 150R0 OHM +5% 100MIOW |
| R244 | 80440370 | 91 | B | so | 1 | PCE | RMGCFMIN 150R0 OHM +5% 100MIOW |
| R245 | 80440370 | 91 | B | so | 1 | PCE | RMGCFMIN 150R0 OHM +5% 100MIOW |
| R246 | 80440370 | 91 | B | so | 1 | PCE | RMGCFMIN 150R0 OHM +5% 100MIOW |
| R247 | 80440370 | 91 | B | so | 1 | PCE | RMGCFMIN 150R0 OHM +5% 100MIOW |
| R249 | 20471950 | 91 | B | so | 1 | PCE | RMGCFMIN 1K0 OHM +5% 100MIOW |
| R250 | 20471950 | 91 | B | so | 1 | PCE | RMGCFMIN 1K0 OHM +5% 100MIOW |
| R251 | 20471950 | 91 | B | so | 1 | PCE | RMGCFMIN 1K0 OHM +5% 100MIOW |
| R252 | 70434200 | 91 | B | so | 1 | PCE | RMGCFMIN 100R0 OHM +5% 100MIOW |
| R253 | 20471950 | 91 | B | so | 1 | PCE | RMGCFMIN 1K0 OHM +5% 100MIOW |
| R254 | 20471950 | 91 | B | so | 1 | PCE | RMGCFMIN 1K0 OHM +5% 100MIOW |
| R255 | 20471950 | 91 | B | so | 1 | PCE | RMGCFMIN 1K0 OHM +5% 100MIOW |
| R256 | 20471950 | 91 | B | so | 1 | PCE | RMGCFMIN 1K0 OHM +5% 100MIOW |
| R257 | 70434200 | 91 | B | so | 1 | PCE | RMGCFMIN 100R0 OHM +5% 100MIOW |
| R258 | 20471950 | 91 | B | so | 1 | PCE | RMGCFMIN 1K0 OHM +5% 100MIOW |
| R259 | 20471950 | 91 | B | so | 1 | PCE | RMGCFMIN 1K0 OHM +5% 100MIOW |
| R260 | 20471950 | 91 | B | so | 1 | PCE | RMGCFMIN 1K0 OHM +5% 100MIOW |
| R261 | 20471950 | 91 | B | so | 1 | PCE | RMGCFMIN 1K0 OHM +5% 100MIOW |
| R264 | 70434200 | 91 | B | so | 1 | PCE | RMGCFMIN 100R0 OHM +5% 100MIOW |
| R265 | 20471950 | 91 | B | so | 1 | PCE | RMGCFMIN 1K0 OHM +5% 100MIOW |
| R266 | 30944310 | 91 | B | so | 1 | PCE | RMGCFMIN 4K7 OHM +5% 100MIOW |
| R267 | 30944310 | 91 | B | so | 1 | PCE | RMGCFMIN 4K7 OHM +5% 100MIOW |
| R268 | 30944310 | 91 | B | so | 1 | PCE | RMGCFMIN 4K7 OHM +5% 100MIOW |
| R269 | 30944310 | 91 | B | so | 1 | PCE | RMGCFMIN 4K7 OHM +5% 100MIOW |
| R270 | 30944310 | 91 | B | so | 1 | PCE | RMGCFMIN 4K7 OHM +5% 100MIOW |
| R274 | 20471950 | 91 | B | so | 1 | PCE | RMGCFMIN 1K0 OHM +5% 100MIOW |
| R275 | 20471950 | 91 | B | so | 1 | PCE | RMGCFMIN 1K0 OHM +5% 100MIOW |
| R276 | 70434200 | 91 | B | so | 1 | PCE | RMGCFMIN 100R0 OHM +5% 100MIOW |
| R277 | 10355190 | 91 | B | so | 1 | PCE | RMGCFMIN 2R2 OHM +5% 100MIOW |
| R278 | 10355190 | 91 | B | so | 1 | PCE | RMGCFMIN 2R2 OHM +5% 100MIOW |
| R279 | 50886610 | 91 | B | so | 1 | PCE | RMGCFMIN 10K0 OHM +5% 100MIOW |
| R280 | 50886610 | 91 | B | so | 1 | PCE | RMGCFMIN 10K0 OHM +5% 100MIOW |
| R281 | 50886610 | 91 | B | so | 1 | PCE | RMGCFMIN 10K0 OHM +5% 100MIOW |
| R283 | 50886610 | 91 | B | so | 1 | PCE | RMGCFMIN 10K0 OHM +5% 100MIOW |
| R284 | 20471950 | 91 | B | so | 1 | PCE | RMGCFMIN 1K0 OHM +5% 100MIOW |
| R285 | 20471950 | 91 | B | so | 1 | PCE | RMGCFMIN 1K0 OHM +5% 100MIOW |
| R286 | 50886610 | 91 | B | so | 1 | PCE | RMGCFMIN 10K0 OHM +5% 100MIOW |
| R287 | 11066500 | 91 | B | so | 1 | PCE | RMGCFMIN 68K0 OHM +5% 100MIOW |
| R288 | 11066500 | 91 | B | so | 1 | PCE | RMGCFMIN 68K0 OHM +5% 100MIOW |
| R289 | 11066480 | 91 | B | so | 1 | PCE | RMGCFMIN 47K0 OHM +5% 100MIOW |
| R290 | 30944310 | 91 | B | so | 1 | PCE | RMGCFMIN 4K7 OHM +5% 100MIOW |
| R291 | 70434200 | 91 | B | so | 1 | PCE | RMGCFMIN 100R0 OHM +5% 100MIOW |
| R292 | 50886630 | 91 | B | so | 1 | PCE | RMGCFMIN 100K0 OHM +5% 100MIOW |
| R293 | 11066460 | 91 | B | so | 1 | PCE | RMGCFMIN 8K2 OHM +5% 100MIOW |
| R294 | 50886610 | 91 | B | so | 1 | PCE | RMGCFMIN 10K0 OHM +5% 100MIOW |
| R295 | 20471950 | 91 | B | so | 1 | PCE | RMGCFMIN 1K0 OHM +5% 100MIOW |
| R296 | 20471950 | 91 | B | so | 1 | PCE | RMGCFMIN 1K0 OHM +5% 100MIOW |
| R297 | 20471950 | 91 | B | so | 1 | PCE | RMGCFMIN 1K0 OHM +5% 100MIOW |
| R298 | 80440370 | 91 | B | so | 1 | PCE | RMGCFMIN 150R0 OHM +5% 100MIOW |
| R299 | 60444350 | 91 | B | so | 1 | PCE | RMGCFMIN 47R0 OHM +5% 100MIOW |

| | | | | | | | |
|-------|----------|----|---|----|---|-----|--------------------------------|
| R300 | 60444350 | 91 | B | so | 1 | PCE | RMGCFMIN 47R0 OHM +5% 100MIOW |
| R351 | 90574400 | 91 | B | so | 1 | PCE | RMGCFMIN 470R0 OHM +5% 100MIOW |
| R352 | 90574400 | 91 | B | so | 1 | PCE | RMGCFMIN 470R0 OHM +5% 100MIOW |
| R353 | 11066420 | 91 | B | so | 1 | PCE | RMGCFMIN 390R0 OHM +5% 100MIOW |
| R354 | 11066420 | 91 | B | so | 1 | PCE | RMGCFMIN 390R0 OHM +5% 100MIOW |
| R356 | 90574400 | 91 | B | so | 1 | PCE | RMGCFMIN 470R0 OHM +5% 100MIOW |
| R357 | 90574400 | 91 | B | so | 1 | PCE | RMGCFMIN 470R0 OHM +5% 100MIOW |
| R358 | 11066420 | 91 | B | so | 1 | PCE | RMGCFMIN 390R0 OHM +5% 100MIOW |
| R359 | 11066420 | 91 | B | so | 1 | PCE | RMGCFMIN 390R0 OHM +5% 100MIOW |
| R360 | 80440370 | 91 | B | so | 1 | PCE | RMGCFMIN 150R0 OHM +5% 100MIOW |
| R361 | 20471920 | 91 | B | so | 1 | PCE | RMGCFMIN 220R0 OHM +5% 100MIOW |
| R362 | 20471920 | 91 | B | so | 1 | PCE | RMGCFMIN 220R0 OHM +5% 100MIOW |
| R363 | 20471920 | 91 | B | so | 1 | PCE | RMGCFMIN 220R0 OHM +5% 100MIOW |
| R364 | 20471950 | 91 | B | so | 1 | PCE | RMGCFMIN 1K0 OHM +5% 100MIOW |
| R365 | 60444350 | 91 | B | so | 1 | PCE | RMGCFMIN 47R0 OHM +5% 100MIOW |
| R366 | 20471950 | 91 | B | so | 1 | PCE | RMGCFMIN 1K0 OHM +5% 100MIOW |
| RL201 | 20471950 | 91 | B | so | 1 | PCE | RMGCFMIN 1K0 OHM +5% 100MIOW |
| RL202 | 50886630 | 91 | B | so | 1 | PCE | RMGCFMIN 100K0 OHM +5% 100MIOW |
| RL203 | 50886670 | 91 | B | so | 1 | PCE | RMGCFMIN 1M0 OHM +5% 100MIOW |
| RL204 | 11066480 | 91 | B | so | 1 | PCE | RMGCFMIN 47K0 OHM +5% 100MIOW |
| RL205 | 90574400 | 91 | B | so | 1 | PCE | RMGCFMIN 470R0 OHM +5% 100MIOW |
| RL206 | 50886630 | 91 | B | so | 1 | PCE | RMGCFMIN 100K0 OHM +5% 100MIOW |
| RL207 | 20471940 | 91 | B | so | 1 | PCE | RMGCFMIN 680R0 OHM +5% 100MIOW |
| RL208 | 60444390 | 91 | B | so | 1 | PCE | RMGCFMIN 3K9 OHM +5% 100MIOW |
| RL209 | 60444400 | 91 | B | so | 1 | PCE | RMGCFMIN 22K0 OHM +5% 100MIOW |
| RL210 | 80440390 | 91 | B | so | 1 | PCE | RMGCFMIN 2K2 OHM +5% 100MIOW |
| RP381 | 50886630 | 91 | B | so | 1 | PCE | RMGCFMIN 100K0 OHM +5% 100MIOW |
| RP382 | 50886630 | 91 | B | so | 1 | PCE | RMGCFMIN 100K0 OHM +5% 100MIOW |
| RP383 | 50886630 | 91 | B | so | 1 | PCE | RMGCFMIN 100K0 OHM +5% 100MIOW |
| RP384 | 50886630 | 91 | B | so | 1 | PCE | RMGCFMIN 100K0 OHM +5% 100MIOW |
| RP385 | 50886630 | 91 | B | so | 1 | PCE | RMGCFMIN 100K0 OHM +5% 100MIOW |
| RP386 | 50886630 | 91 | B | so | 1 | PCE | RMGCFMIN 100K0 OHM +5% 100MIOW |
| RP387 | 50886630 | 91 | B | so | 1 | PCE | RMGCFMIN 100K0 OHM +5% 100MIOW |
| RP388 | 50886630 | 91 | B | so | 1 | PCE | RMGCFMIN 100K0 OHM +5% 100MIOW |
| RP389 | 50886630 | 91 | B | so | 1 | PCE | RMGCFMIN 100K0 OHM +5% 100MIOW |
| RP390 | 50886630 | 91 | B | so | 1 | PCE | RMGCFMIN 100K0 OHM +5% 100MIOW |
| RP391 | 50886630 | 91 | B | so | 1 | PCE | RMGCFMIN 100K0 OHM +5% 100MIOW |
| RP392 | 50886630 | 91 | B | so | 1 | PCE | RMGCFMIN 100K0 OHM +5% 100MIOW |
| RP393 | 50886630 | 91 | B | so | 1 | PCE | RMGCFMIN 100K0 OHM +5% 100MIOW |
| RP394 | 50886630 | 91 | B | so | 1 | PCE | RMGCFMIN 100K0 OHM +5% 100MIOW |
| RP395 | 50886630 | 91 | B | so | 1 | PCE | RMGCFMIN 100K0 OHM +5% 100MIOW |
| RP396 | 50886630 | 91 | B | so | 1 | PCE | RMGCFMIN 100K0 OHM +5% 100MIOW |
| RP397 | 50886630 | 91 | B | so | 1 | PCE | RMGCFMIN 100K0 OHM +5% 100MIOW |
| RP398 | 50886630 | 91 | B | so | 1 | PCE | RMGCFMIN 100K0 OHM +5% 100MIOW |
| RR201 | 20471950 | 91 | B | so | 1 | PCE | RMGCFMIN 1K0 OHM +5% 100MIOW |
| RR202 | 50886630 | 91 | B | so | 1 | PCE | RMGCFMIN 100K0 OHM +5% 100MIOW |
| RR203 | 50886670 | 91 | B | so | 1 | PCE | RMGCFMIN 1M0 OHM +5% 100MIOW |
| RR204 | 11066480 | 91 | B | so | 1 | PCE | RMGCFMIN 47K0 OHM +5% 100MIOW |
| RR205 | 90574400 | 91 | B | so | 1 | PCE | RMGCFMIN 470R0 OHM +5% 100MIOW |
| RR206 | 50886630 | 91 | B | so | 1 | PCE | RMGCFMIN 100K0 OHM +5% 100MIOW |
| RR207 | 20471940 | 91 | B | so | 1 | PCE | RMGCFMIN 680R0 OHM +5% 100MIOW |
| RR208 | 60444390 | 91 | B | so | 1 | PCE | RMGCFMIN 3K9 OHM +5% 100MIOW |
| RR209 | 60444400 | 91 | B | so | 1 | PCE | RMGCFMIN 22K0 OHM +5% 100MIOW |

| | | | | | | | |
|-------|----------|----|---|----|---|-----|------------------------------|
| RR210 | 80440390 | 91 | B | so | 1 | PCE | RMGCFMIN 2K2 OHM +5% 100MI0W |
|-------|----------|----|---|----|---|-----|------------------------------|

PART NO : 55261910

TITEL : AC EMBD IMA INPUT BD AVR5500

| Pos | Tocom# | Pkg | M/B | St | Qty | Unit | SName |
|-------|----------|-----|-----|----|-------|------|---|
| 020 | 55262060 | | M | SO | 1 | PCE | AC ESABD IAU INPUT BD AVR5500 |
| 030 | 55188920 | | X | ud | 1 | PCE | AC SCHEMATIC INPUT BD AVR520 OEM |
| 040 | 20290150 | | B | so | 0.015 | KG | SOLDER BAR 52SN/45PB/3SB BAR |
| 041 | 15481260 | | B | so | 0.015 | L | SLDC FLUX LRES FOAM SM32DHT-2 |
| CN102 | 55175920 | NR | B | so | 1 | PCE | WIRECONASY UNIQUE 10P 520MM UL1533 SHIELD 28 1 |
| CN103 | 55221860 | NR | B | ud | 1 | PCE | WIRECONASY UNIQUE 12P 290MM UL1533 SHIELD 28 1 |
| CP101 | 55174640 | | B | so | 1 | PCE | CONN 2.0MM 9 MA R NAT SOCKET MOLEX 35237-0910 0 0 |
| CP102 | 55125030 | | B | so | 1 | PCE | CONN 2.0MM 11 MA R NAT MOLEX 35237-1110 0 0 |
| JK101 | 55207740 | | B | so | 1 | PCE | CON PHONO SCKT RCA 2P JE021163TN BRN/TAN |
| JK102 | 55191410 | | B | so | 1 | PCE | CON PHONO SCKT RCA 4P JW-4104RSB |
| JK103 | 55191800 | | B | so | 1 | PCE | CON PHONO SCKT RCA 6P JW4105RSG W/GNDCAP WH,RD,BU,WH,RD,BU |

PART NO : 55262060

TITEL : AC ESABD IAU INPUT BD AVR5500

| Pos | Tocom# | Pkg | M/B | St | Qty | Unit | SName |
|------|----------|-----|-----|----|-----|------|----------------------------------|
| 020 | 55262130 | | M | SO | 1 | PCE | AC ESABD SMD INPUT BD AVR5500 |
| 040 | 55182510 | | B | so | 1 | PCE | AC PCB INPUT AVR520 SINGLE LAYER |
| C101 | 20268880 | 30 | B | so | 1 | PCE | CE 10U0F +20% 50.0V 85C |
| C102 | 20268880 | 30 | B | so | 1 | PCE | CE 10U0F +20% 50.0V 85C |
| C103 | 20268880 | 30 | B | so | 1 | PCE | CE 10U0F +20% 50.0V 85C |
| C104 | 20268880 | 30 | B | so | 1 | PCE | CE 10U0F +20% 50.0V 85C |
| C105 | 20267830 | 30 | B | so | 1 | PCE | CE 47U0F +20% 16.0V 85C |
| C106 | 20267830 | 30 | B | so | 1 | PCE | CE 47U0F +20% 16.0V 85C |
| C107 | 20268880 | 30 | B | so | 1 | PCE | CE 10U0F +20% 50.0V 85C |
| C108 | 20268880 | 30 | B | so | 1 | PCE | CE 10U0F +20% 50.0V 85C |
| C109 | 20936650 | 16 | B | so | 1 | PCE | CC 100P0F +10% -10% 50.0V Y5P |
| C110 | 20936650 | 16 | B | so | 1 | PCE | CC 100P0F +10% -10% 50.0V Y5P |
| C111 | 20936650 | 16 | B | so | 1 | PCE | CC 100P0F +10% -10% 50.0V Y5P |
| C112 | 20268880 | 30 | B | so | 1 | PCE | CE 10U0F +20% 50.0V 85C |
| C113 | 20268880 | 30 | B | so | 1 | PCE | CE 10U0F +20% 50.0V 85C |
| C114 | 20936650 | 16 | B | so | 1 | PCE | CC 100P0F +10% -10% 50.0V Y5P |
| C115 | 20936650 | 16 | B | so | 1 | PCE | CC 100P0F +10% -10% 50.0V Y5P |
| C116 | 20936650 | 16 | B | so | 1 | PCE | CC 100P0F +10% -10% 50.0V Y5P |
| C119 | 20246470 | 71 | B | so | 1 | PCE | CC 100N0F +80% -20% 25.0V Z5V |
| C123 | 20246470 | 71 | B | so | 1 | PCE | CC 100N0F +80% -20% 25.0V Z5V |
| C126 | 20246470 | 71 | B | so | 1 | PCE | CC 100N0F +80% -20% 25.0V Z5V |
| C127 | 20267830 | 30 | B | so | 1 | PCE | CE 47U0F +20% 16.0V 85C |
| C128 | 20267830 | 30 | B | so | 1 | PCE | CE 47U0F +20% 16.0V 85C |
| C129 | 10291350 | 16 | B | sr | 1 | PCE | CC 33P0F +5% -5% 50.0V SL |
| C130 | 20268880 | 30 | B | so | 1 | PCE | CE 10U0F +20% 50.0V 85C |
| C131 | 10291350 | 16 | B | sr | 1 | PCE | CC 33P0F +5% -5% 50.0V SL |
| C132 | 20268880 | 30 | B | so | 1 | PCE | CE 10U0F +20% 50.0V 85C |
| C133 | 20267830 | 30 | B | so | 1 | PCE | CE 47U0F +20% 16.0V 85C |
| C134 | 20267830 | 30 | B | so | 1 | PCE | CE 47U0F +20% 16.0V 85C |
| C135 | 20268880 | 30 | B | so | 1 | PCE | CE 10U0F +20% 50.0V 85C |
| C136 | 20268880 | 30 | B | so | 1 | PCE | CE 10U0F +20% 50.0V 85C |

| | | | | | | | |
|------|----------|----|---|----|---|-----|------------------------------------|
| C137 | 20267830 | 30 | B | so | 1 | PCE | CE 47U0F +20% 16.0V 85C |
| C138 | 20267830 | 30 | B | so | 1 | PCE | CE 47U0F +20% 16.0V 85C |
| Q101 | 55133350 | 56 | B | so | 1 | PCE | TR-SLPLF MPSA56 Y P -500MIOA -300V |
| Q102 | 55133290 | 56 | B | so | 1 | PCE | TR-SLPLF KTD1302 B N 300MIOA 20V |
| Q103 | 55133290 | 56 | B | so | 1 | PCE | TR-SLPLF KTD1302 B N 300MIOA 20V |
| Q104 | 55133210 | 56 | B | so | 1 | PCE | TR-SLPLF DTC114YSA N 100MIOA |
| R101 | 50882950 | 16 | B | so | 1 | PCE | RCF 100R0 OHM +5% 250MIOW |
| R102 | 50882950 | 16 | B | so | 1 | PCE | RCF 100R0 OHM +5% 250MIOW |
| R103 | 30939510 | 16 | B | so | 1 | PCE | RCF 100K0 OHM +5% 250MIOW |
| R104 | 30939510 | 16 | B | so | 1 | PCE | RCF 100K0 OHM +5% 250MIOW |
| R105 | 30939510 | 16 | B | so | 1 | PCE | RCF 100K0 OHM +5% 250MIOW |
| R106 | 30939510 | 16 | B | so | 1 | PCE | RCF 100K0 OHM +5% 250MIOW |
| R107 | 11059640 | 16 | B | so | 1 | PCE | RCF 1K0 OHM +5% 250MIOW |
| R108 | 11059640 | 16 | B | so | 1 | PCE | RCF 1K0 OHM +5% 250MIOW |
| R109 | 11059640 | 16 | B | so | 1 | PCE | RCF 1K0 OHM +5% 250MIOW |
| R110 | 30939510 | 16 | B | so | 1 | PCE | RCF 100K0 OHM +5% 250MIOW |
| R111 | 30939510 | 16 | B | so | 1 | PCE | RCF 100K0 OHM +5% 250MIOW |
| R112 | 11059640 | 16 | B | so | 1 | PCE | RCF 1K0 OHM +5% 250MIOW |
| R113 | 11059640 | 16 | B | so | 1 | PCE | RCF 1K0 OHM +5% 250MIOW |
| R114 | 30939510 | 16 | B | so | 1 | PCE | RCF 100K0 OHM +5% 250MIOW |
| R115 | 30939510 | 16 | B | so | 1 | PCE | RCF 100K0 OHM +5% 250MIOW |
| R116 | 11059640 | 16 | B | so | 1 | PCE | RCF 1K0 OHM +5% 250MIOW |
| R117 | 11059640 | 16 | B | so | 1 | PCE | RCF 1K0 OHM +5% 250MIOW |
| R118 | 11059640 | 16 | B | so | 1 | PCE | RCF 1K0 OHM +5% 250MIOW |
| R119 | 11059640 | 16 | B | so | 1 | PCE | RCF 1K0 OHM +5% 250MIOW |
| R120 | 11059640 | 16 | B | so | 1 | PCE | RCF 1K0 OHM +5% 250MIOW |
| R121 | 50882950 | 16 | B | so | 1 | PCE | RCF 100R0 OHM +5% 250MIOW |
| R122 | 50882950 | 16 | B | so | 1 | PCE | RCF 100R0 OHM +5% 250MIOW |
| R123 | 30939480 | 16 | B | so | 1 | PCE | RCF 10K0 OHM +5% 250MIOW |
| R124 | 11059640 | 16 | B | so | 1 | PCE | RCF 1K0 OHM +5% 250MIOW |
| R125 | 70430560 | 16 | B | so | 1 | PCE | RCF 5K6 OHM +5% 250MIOW |
| R126 | 11059640 | 16 | B | so | 1 | PCE | RCF 1K0 OHM +5% 250MIOW |
| R127 | 30939510 | 16 | B | so | 1 | PCE | RCF 100K0 OHM +5% 250MIOW |
| R128 | 50882970 | 16 | B | so | 1 | PCE | RCF 470R0 OHM +5% 250MIOW |
| R129 | 70430560 | 16 | B | so | 1 | PCE | RCF 5K6 OHM +5% 250MIOW |
| R130 | 11059640 | 16 | B | so | 1 | PCE | RCF 1K0 OHM +5% 250MIOW |
| R131 | 30939510 | 16 | B | so | 1 | PCE | RCF 100K0 OHM +5% 250MIOW |
| R132 | 50882970 | 16 | B | so | 1 | PCE | RCF 470R0 OHM +5% 250MIOW |
| R133 | 50882950 | 16 | B | so | 1 | PCE | RCF 100R0 OHM +5% 250MIOW |
| R134 | 50882950 | 16 | B | so | 1 | PCE | RCF 100R0 OHM +5% 250MIOW |
| R135 | 30939510 | 16 | B | so | 1 | PCE | RCF 100K0 OHM +5% 250MIOW |
| R136 | 30939510 | 16 | B | so | 1 | PCE | RCF 100K0 OHM +5% 250MIOW |
| R137 | 50882950 | 16 | B | so | 1 | PCE | RCF 100R0 OHM +5% 250MIOW |
| R138 | 50882950 | 16 | B | so | 1 | PCE | RCF 100R0 OHM +5% 250MIOW |
| R139 | 50882950 | 16 | B | so | 1 | PCE | RCF 100R0 OHM +5% 250MIOW |
| R140 | 50882950 | 16 | B | so | 1 | PCE | RCF 100R0 OHM +5% 250MIOW |
| R141 | 11059780 | 16 | B | so | 1 | PCE | RCF 1M0 OHM +5% 250MIOW |
| R142 | 60441600 | 16 | B | so | 1 | PCE | RCF 68K0 OHM +5% 250MIOW |

PART NO : 55262130

TITEL : AC ESABD SMD INPUT BD AVR5500

| Pos | Tocom# | Pkg | M/B | St | Qty | Unit | SName |
|-------|----------|-----|-----|----|-----|------|---|
| IC101 | 55142710 | NR | B | so | 1 | PCE | IC-SWITCH KIC9162AF ANALOG SWITCH |
| IC102 | 55142720 | NR | B | so | 1 | PCE | IC-LOWFREQ KIC9459F SOP24 TONE/VOL/BAL/MUTE |
| IC103 | 55142610 | NR | B | so | 1 | PCE | IC-OPERAMP NJM2068M DUAL OP |
| IC104 | 55142610 | NR | B | so | 1 | PCE | IC-OPERAMP NJM2068M DUAL OP |

PART NO : 55182760

TITEL : AC EMBD IMA KEY BD AVR520

| Pos | Tocom# | Pkg | M/B | St | Qty | Unit | SName |
|-------|----------|-----|-----|----|-------|------|---|
| 020 | 55182770 | | M | SO | 1 | PCE | AC ESABD IAU KEY BD AVR520 |
| 030 | 55188950 | | X | ud | 1 | PCE | AC SCHEMATIC KEY BD AVR520 OEM |
| 040 | 20290150 | | B | so | 0.015 | KG | SOLDER BAR 52SN/45PB/3SB BAR |
| 041 | 15481260 | | B | so | 0.015 | L | SLDC FLUX LRES FOAM SM32DHT-2 |
| CN401 | 55175800 | NR | B | so | 1 | PCE | WIRECONASY UNIQUE 8P 100MM UL1007 PVC DISCRETE 26 1 |
| CN402 | 55175820 | NR | B | so | 1 | PCE | WIRECONASY UNIQUE 5P 100MM UL1007 PVC DISCRETE 26 1 |
| CN403 | 55175870 | NR | B | so | 1 | PCE | WIRECONASY UNIQUE 3P 600MM UL2547 28 1 |
| CP403 | 55090070 | | B | so | 1 | PCE | CONN 2.0MM 2 MA ST NAT LW2002P0200T 0 0 |
| CP404 | 55123310 | | B | so | 1 | PCE | CONN 2.0MM 4 MA ST NAT LW2002P04 0 0 |
| CP405 | 55123310 | | B | so | 1 | PCE | CONN 2.0MM 4 MA ST NAT LW2002P04 0 0 |
| D401 | 55179330 | NR | B | so | 1 | PCE | D-LEM RED/GREEN 5 RD RND CL |
| FN401 | 55176420 | | B | ud | 1 | PCE | AC PUN BRACKET BKT GROUND ET 0.5T AVR520 |
| FN402 | 55176420 | | B | ud | 1 | PCE | AC PUN BRACKET BKT GROUND ET 0.5T AVR520 |
| HP401 | 55088400 | | B | so | 1 | PCE | CONN-PHJAC 6.35 ST HORZ EST-J6313 BK 0 0 |
| IC401 | 55179630 | NR | B | so | 1 | PCE | PHOTCOUP PC-17T1 PHOTOCOUPLER DIP4 |
| IC402 | 55179630 | NR | B | so | 1 | PCE | PHOTCOUP PC-17T1 PHOTOCOUPLER DIP4 |
| JA402 | 55176390 | | B | so | 1 | PCE | CON PHONO SCKT STEREO JACK JW350S |
| JA403 | 55176390 | | B | so | 1 | PCE | CON PHONO SCKT STEREO JACK JW350S |
| JA404 | 55176390 | | B | so | 1 | PCE | CON PHONO SCKT STEREO JACK JW350S |
| L401 | 55168840 | 16 | B | so | 1 | PCE | LF 47U0H +10% 5.8 OHM 70MI0A |
| L402 | 55168840 | 16 | B | so | 1 | PCE | LF 47U0H +10% 5.8 OHM 70MI0A |
| Q402 | 55133220 | 56 | B | so | 0 | PCE | TR-SLPLF DTAl14YSA P 100MI0A |
| Q402 | 55179220 | 56 | B | so | 1 | PCE | TR-SLPSWA KRA107M P |
| W401 | 55180140 | NR | B | so | 1 | PCE | WIRECONASY UNIQUE 1P 200MM UL1007 PVC DISCRETE 18 1 |

PART NO : 55182770

TITEL : AC ESABD IAU KEY BD AVR520

| Pos | Tocom# | Pkg | M/B | St | Qty | Unit | SName |
|-------|----------|-----|-----|----|-----|------|---|
| 020 | 55182780 | | M | SO | 1 | PCE | AC ESABD SMD KEY BD AVR520 |
| 021 | 55179530 | | B | ud | 1 | PCE | AC PCB KEY BD 247*163 AVR520 DUAL LAYERS |
| Q403 | 55133220 | 56 | B | so | 0 | PCE | TR-SLPLF DTAl14YSA P 100MI0A |
| Q403 | 55179220 | 56 | B | so | 1 | PCE | TR-SLPSWA KRA107M P |
| SW401 | 55145270 | KX | B | so | 1 | PCE | SWITACT VERTICAL TACTILE F/B 50MI0A 12.0V 500MI0OHM |
| SW402 | 55145270 | KX | B | so | 1 | PCE | SWITACT VERTICAL TACTILE F/B 50MI0A 12.0V 500MI0OHM |
| SW403 | 55145270 | KX | B | so | 1 | PCE | SWITACT VERTICAL TACTILE F/B 50MI0A 12.0V 500MI0OHM |
| SW404 | 55145270 | KX | B | so | 1 | PCE | SWITACT VERTICAL TACTILE F/B 50MI0A 12.0V 500MI0OHM |
| SW405 | 55145270 | KX | B | so | 1 | PCE | SWITACT VERTICAL TACTILE F/B 50MI0A 12.0V 500MI0OHM |
| SW406 | 55145270 | KX | B | so | 1 | PCE | SWITACT VERTICAL TACTILE F/B 50MI0A 12.0V 500MI0OHM |
| SW407 | 55145270 | KX | B | so | 1 | PCE | SWITACT VERTICAL TACTILE F/B 50MI0A 12.0V 500MI0OHM |
| SW408 | 55145270 | KX | B | so | 1 | PCE | SWITACT VERTICAL TACTILE F/B 50MI0A 12.0V 500MI0OHM |
| SW409 | 55145270 | KX | B | so | 1 | PCE | SWITACT VERTICAL TACTILE F/B 50MI0A 12.0V 500MI0OHM |
| SW410 | 55145270 | KX | B | so | 1 | PCE | SWITACT VERTICAL TACTILE F/B 50MI0A 12.0V 500MI0OHM |
| SW411 | 55145270 | KX | B | so | 1 | PCE | SWITACT VERTICAL TACTILE F/B 50MI0A 12.0V 500MI0OHM |
| SW412 | 55145270 | KX | B | so | 1 | PCE | SWITACT VERTICAL TACTILE F/B 50MI0A 12.0V 500MI0OHM |
| SW413 | 55145270 | KX | B | so | 1 | PCE | SWITACT VERTICAL TACTILE F/B 50MI0A 12.0V 500MI0OHM |
| SW414 | 55145270 | KX | B | so | 1 | PCE | SWITACT VERTICAL TACTILE F/B 50MI0A 12.0V 500MI0OHM |
| SW415 | 55145270 | KX | B | so | 1 | PCE | SWITACT VERTICAL TACTILE F/B 50MI0A 12.0V 500MI0OHM |

| | | | | | | | |
|-------|----------|----|---|----|---|-----|---|
| SW416 | 55145270 | KX | B | so | 1 | PCE | SWITACT VERTICAL TACTILE F/B 50MI0A 12.0V 500MI0OHM |
| SW417 | 55145270 | KX | B | so | 1 | PCE | SWITACT VERTICAL TACTILE F/B 50MI0A 12.0V 500MI0OHM |
| SW418 | 55145270 | KX | B | so | 1 | PCE | SWITACT VERTICAL TACTILE F/B 50MI0A 12.0V 500MI0OHM |
| SW419 | 55145270 | KX | B | so | 1 | PCE | SWITACT VERTICAL TACTILE F/B 50MI0A 12.0V 500MI0OHM |
| SW420 | 55145270 | KX | B | so | 1 | PCE | SWITACT VERTICAL TACTILE F/B 50MI0A 12.0V 500MI0OHM |

PART NO : 55182780

TITEL : AC ESABD SMD KEY BD AVR520

| Pos | Tocom# | Pkg | M/B | St | Qty | Unit | SName |
|------|----------|-----|-----|----|-----|------|--------------------------------------|
| C401 | 30939240 | 91 | B | so | 1 | PCE | CCCFMIN 22N0F +10% -10% 50.0V X7R |
| C402 | 30939240 | 91 | B | so | 1 | PCE | CCCFMIN 22N0F +10% -10% 50.0V X7R |
| C403 | 11059330 | 91 | B | so | 1 | PCE | CCCFMIN 2N2F +10% -10% 50.0V X7R |
| C404 | 11059330 | 91 | B | so | 1 | PCE | CCCFMIN 2N2F +10% -10% 50.0V X7R |
| C405 | 20267290 | 91 | B | so | 1 | PCE | CCCFMIN 100N0F +80% -20% 50.0V Y5V |
| C406 | 20267290 | 91 | B | so | 1 | PCE | CCCFMIN 100N0F +80% -20% 50.0V Y5V |
| C416 | 20267290 | 91 | B | so | 1 | PCE | CCCFMIN 100N0F +80% -20% 50.0V Y5V |
| D402 | 20496510 | NR | B | so | 1 | PCE | D-SLP 1SS355 35.0V 225MI0A |
| D403 | 20496510 | NR | B | so | 1 | PCE | D-SLP 1SS355 35.0V 225MI0A |
| D404 | 20496510 | NR | B | so | 1 | PCE | D-SLP 1SS355 35.0V 225MI0A |
| D405 | 20496510 | NR | B | so | 1 | PCE | D-SLP 1SS355 35.0V 225MI0A |
| D406 | 20496510 | NR | B | so | 1 | PCE | D-SLP 1SS355 35.0V 225MI0A |
| Q401 | 55051240 | 92 | B | so | 0 | PCE | TR-SSD KRC107S N 10K0 OHM 47K0 OHM |
| Q401 | 55133180 | 92 | B | so | 1 | PCE | TR-SSD DTC114YKA N 10K0 OHM 47K0 OHM |
| R401 | 50886610 | 91 | B | so | 1 | PCE | RMGCFMIN 10K0 OHM +5% 100MI0W |
| R402 | 20471950 | 91 | B | so | 1 | PCE | RMGCFMIN 1K0 OHM +5% 100MI0W |
| R403 | 70434230 | 91 | B | so | 1 | PCE | RMGCFMIN 1K2 OHM +5% 100MI0W |
| R404 | 40438290 | 91 | B | so | 1 | PCE | RMGCFMIN 1K5 OHM +5% 100MI0W |
| R405 | 80440390 | 91 | B | so | 1 | PCE | RMGCFMIN 2K2 OHM +5% 100MI0W |
| R406 | 50886590 | 91 | B | so | 1 | PCE | RMGCFMIN 2K7 OHM +5% 100MI0W |
| R407 | 11066440 | 91 | B | so | 1 | PCE | RMGCFMIN 3K3 OHM +5% 100MI0W |
| R408 | 80440400 | 91 | B | so | 1 | PCE | RMGCFMIN 5K6 OHM +5% 100MI0W |
| R409 | 11066460 | 91 | B | so | 1 | PCE | RMGCFMIN 8K2 OHM +5% 100MI0W |
| R410 | 90574430 | 91 | B | so | 1 | PCE | RMGCFMIN 18K0 OHM +5% 100MI0W |
| R411 | 50886610 | 91 | B | so | 1 | PCE | RMGCFMIN 10K0 OHM +5% 100MI0W |
| R412 | 20471950 | 91 | B | so | 1 | PCE | RMGCFMIN 1K0 OHM +5% 100MI0W |
| R413 | 70434230 | 91 | B | so | 1 | PCE | RMGCFMIN 1K2 OHM +5% 100MI0W |
| R414 | 40438290 | 91 | B | so | 1 | PCE | RMGCFMIN 1K5 OHM +5% 100MI0W |
| R415 | 80440390 | 91 | B | so | 1 | PCE | RMGCFMIN 2K2 OHM +5% 100MI0W |
| R416 | 50886590 | 91 | B | so | 1 | PCE | RMGCFMIN 2K7 OHM +5% 100MI0W |
| R417 | 11066440 | 91 | B | so | 1 | PCE | RMGCFMIN 3K3 OHM +5% 100MI0W |
| R418 | 80440400 | 91 | B | so | 1 | PCE | RMGCFMIN 5K6 OHM +5% 100MI0W |
| R419 | 11066460 | 91 | B | so | 1 | PCE | RMGCFMIN 8K2 OHM +5% 100MI0W |
| R420 | 90574430 | 91 | B | so | 1 | PCE | RMGCFMIN 18K0 OHM +5% 100MI0W |
| R421 | 60444370 | 91 | B | so | 1 | PCE | RMGCFMIN 180R0 OHM +5% 100MI0W |
| R422 | 60444370 | 91 | B | so | 1 | PCE | RMGCFMIN 180R0 OHM +5% 100MI0W |
| R423 | 20471940 | 91 | B | so | 1 | PCE | RMGCFMIN 680R0 OHM +5% 100MI0W |
| R424 | 20471940 | 91 | B | so | 1 | PCE | RMGCFMIN 680R0 OHM +5% 100MI0W |
| R429 | 90574400 | 91 | B | so | 1 | PCE | RMGCFMIN 470R0 OHM +5% 100MI0W |
| R430 | 60444390 | 91 | B | so | 1 | PCE | RMGCFMIN 3K9 OHM +5% 100MI0W |
| R431 | 11066480 | 91 | B | so | 1 | PCE | RMGCFMIN 47K0 OHM +5% 100MI0W |
| R432 | 60444350 | 91 | B | so | 1 | PCE | RMGCFMIN 47R0 OHM +5% 100MI0W |

| | | | | | | | |
|------|----------|----|---|----|---|-----|--------------------------------|
| R433 | 60444350 | 91 | B | so | 1 | PCE | RMGCFMIN 47R0 OHM +5% 100MI0W |
| R434 | 60444380 | 91 | B | so | 1 | PCE | RMGCFMIN 270R0 OHM +5% 100MI0W |
| R435 | 50886610 | 91 | B | so | 1 | PCE | RMGCFMIN 10K0 OHM +5% 100MI0W |
| R436 | 11066480 | 91 | B | so | 1 | PCE | RMGCFMIN 47K0 OHM +5% 100MI0W |

PART NO :55261840

TITEL : AC EMBD IMA MAIN BD AVR5500

| Pos | Tocom# | Pkg | M/B | St | Qty | Unit | SName |
|-------|----------|-----|-----|----|-------|------|---|
| 020 | 55262010 | | M | SO | 1 | PCE | AC ESABD IAU MAIN BD AVR5500 |
| 030 | 55188890 | | X | ud | 1 | PCE | AC SCHEMATIC MAIN BD AVR520 OEM |
| 040 | 20290150 | | B | so | 0.015 | KG | SOLDER BAR 52SN/45PB/3SB BAR |
| 041 | 15481260 | | B | so | 0.015 | L | SLDC FLUX LRES FOAM SM32DHT-2 |
| 050 | 55176400 | | B | ud | 1 | PCE | AC METAL HEATSINK REG 118*20*50H AVR520 -- |
| C421 | 13076940 | AM | B | so | 1 | PCE | CE 470U0F +20% 63.0V 85C |
| C422 | 13076940 | AM | B | so | 1 | PCE | CE 470U0F +20% 63.0V 85C |
| C423 | 13076940 | AM | B | so | 1 | PCE | CE 470U0F +20% 63.0V 85C |
| C424 | 13076940 | AM | B | so | 1 | PCE | CE 470U0F +20% 63.0V 85C |
| C481 | 55180370 | NR | B | ud | 1 | PCE | CE 10MI0F +20% 63.0V 85C |
| C482 | 55180370 | NR | B | ud | 1 | PCE | CE 10MI0F +20% 63.0V 85C |
| C485 | 40433130 | 30 | B | so | 1 | PCE | CE 2MI2F +20% 35.0V 85C |
| C486 | 40433130 | 30 | B | so | 1 | PCE | CE 2MI2F +20% 35.0V 85C |
| C487 | 55126160 | NR | B | so | 1 | PCE | CE 6MI8F +20% 16.0V 85C |
| C488 | 13039870 | AM | B | so | 1 | PCE | CE 2MI2F +20% 16.0V 85C |
| C511 | 13076940 | AM | B | so | 1 | PCE | CE 470U0F +20% 63.0V 85C |
| C512 | 13076940 | AM | B | so | 1 | PCE | CE 470U0F +20% 63.0V 85C |
| CN401 | 55171550 | | B | so | 1 | PCE | CON 3.96MM PITCH MOLEX 35313-0310 |
| CN402 | 55146610 | | B | so | 1 | PCE | CONN 2.5MM 6 MA ST NAT 0 0 |
| CN403 | 55146570 | | B | so | 1 | PCE | CONN 2.5MM 3 MA ST NAT 0 0 |
| CN407 | 55171520 | | B | so | 1 | PCE | CONN 2.0MM 5 MA ST NAT MOLEX 35336-0510 0 0 |
| CN408 | 55125010 | | B | so | 1 | PCE | CONN 2.0MM 15 MA R NAT MOLEX 35336-1510 0 0 |
| CN409 | 55125010 | | B | so | 1 | PCE | CONN 2.0MM 15 MA R NAT MOLEX 35336-1510 0 0 |
| CN410 | 55125010 | | B | so | 1 | PCE | CONN 2.0MM 15 MA R NAT MOLEX 35336-1510 0 0 |
| CN411 | 55125010 | | B | so | 1 | PCE | CONN 2.0MM 15 MA R NAT MOLEX 35336-1510 0 0 |
| CN412 | 55174630 | | B | so | 1 | PCE | CONN 2.0MM 19 MA ST NAT MOLEX 35336-1910 0 0 |
| CN413 | 55174620 | | B | so | 1 | PCE | CONN 2.0MM 17 MA ST NAT MOLEX 35336-1710 0 0 |
| CN414 | 55179440 | | B | so | 1 | PCE | CONN 1.25MM 27 FE ST WH GF120-27S-TS 2794 A4 |
| CN415 | 55205630 | | B | so | 1 | PCE | CONN 2.0MM 16 MA ST NAT MOLEX 35336-1610 0 0 |
| CN416 | 55123330 | | B | so | 1 | PCE | CONN 2.0MM 6 MA ST NAT LW2002P06 0 0 |
| CN417 | 55146570 | | B | so | 1 | PCE | CONN 2.5MM 3 MA ST NAT 0 0 |
| CN418 | 55124960 | | B | so | 1 | PCE | CONN 2.0MM 11 MA R NAT MOLEX 35336-1110 0 0 |
| CN419 | 55174590 | | B | so | 1 | PCE | CONN 2.0MM 9 MA ST NAT MOLEX 35336-0910 0 0 |
| CP401 | 55182570 | NR | B | so | 1 | PCE | WIRECONASY UNIQUE 7P 240MM UL1533 SHIELD 28 1 |
| D481 | 55179320 | NR | B | so | 1 | PCE | D-BRDLC BRIDGE BU10-04 |
| D482 | 55179300 | NR | B | ud | 1 | PCE | D-BRDLC BRIDGE W2-04F FRONTIER |
| D568 | 55125540 | NR | B | ud | 1 | PCE | D-BRDLC BU6-04F |
| FU481 | 55015620 | NR | B | so | 1 | PCE | FUSVDETIMELG 2.0 A 250.0 V 5X20 |
| FU482 | 55015620 | NR | B | so | 1 | PCE | FUSVDETIMELG 2.0 A 250.0 V 5X20 |
| FU483 | 55015620 | NR | B | so | 1 | PCE | FUSVDETIMELG 2.0 A 250.0 V 5X20 |
| FU484 | 55015620 | NR | B | so | 1 | PCE | FUSVDETIMELG 2.0 A 250.0 V 5X20 |
| G011 | 55135980 | NR | B | so | 1 | PCE | TERMLUG GND |
| IC101 | 55142240 | NR | B | so | 1 | PCE | IC-OPERAMP NJM2068DD DUAL OP |
| IC481 | 20832440 | NR | B | so | 1 | PCE | IC-REGPOSFXD KIA7815API NORMAL |
| IC482 | 55124020 | NR | B | so | 1 | PCE | IC-REGNEGFxD KIA7915PI NORMAL |
| IC483 | 55125450 | NR | B | so | 1 | PCE | IC-REGPOSFXD BA033T NORMAL |
| IC484 | 55123960 | NR | B | so | 1 | PCE | IC-REGPOSFXD KIA7805API NORMAL |
| IC485 | 55123960 | NR | B | so | 1 | PCE | IC-REGPOSFXD KIA7805API NORMAL |
| IC486 | 55123990 | NR | B | so | 1 | PCE | IC-REGNEGFxD KIA7905PI NORMAL |

| | | | | | | | |
|-------|----------|----|---|----|---|-----|--|
| IC487 | 55179240 | NR | B | so | 1 | PCE | IC-REGULADJ KA337 TO-220 |
| JK404 | 55191420 | | B | so | 1 | PCE | CON PHONO SCKT RCA 4P JW-4104RSA |
| JK405 | 55191480 | | B | so | 1 | PCE | CON PHONO SCKT RCA 6P JW-4105RSB |
| JK407 | 55176330 | | B | so | 1 | PCE | CON PHONO SCKT RCA 4P JW4104RS GND |
| JK408 | 55191370 | | B | so | 1 | PCE | CON PHONO SCKT RCA 1P JACK JE010003XN |
| JK503 | 55191400 | NR | B | so | 1 | PCE | CONN-SPE TERMINAL SPKR 6P SH0611705P FE 19MM 6 BK |
| L401 | 55233160 | NR | M | UD | 1 | PCE | LF 700N0H |
| L402 | 55233160 | NR | M | UD | 1 | PCE | LF 700N0H |
| L501 | 55233160 | NR | M | UD | 1 | PCE | LF 700N0H |
| P551 | 55179640 | NR | B | so | 1 | PCE | POS 100R0 OHM 16.0V |
| Q425 | 55179200 | NR | B | so | 1 | PCE | TR-SHPLF 2SC4883A N 2.0A |
| Q426 | 55179200 | NR | B | so | 1 | PCE | TR-SHPLF 2SC4883A N 2.0A |
| Q433 | 55179190 | NR | B | so | 1 | PCE | TR-SHPLF 2SA1859A P -2.0A |
| Q434 | 55179190 | NR | B | so | 1 | PCE | TR-SHPLF 2SA1859A P -2.0A |
| Q435 | 55179200 | NR | B | so | 1 | PCE | TR-SHPLF 2SC4883A N 2.0A |
| Q436 | 55179200 | NR | B | so | 1 | PCE | TR-SHPLF 2SC4883A N 2.0A |
| Q437 | 55179180 | NR | B | so | 1 | PCE | TR-SHPLF 2SC5358-R N 15.0A |
| Q438 | 55179180 | NR | B | so | 1 | PCE | TR-SHPLF 2SC5358-R N 15.0A |
| Q439 | 55179150 | NR | B | so | 1 | PCE | TR-SHPLF 2SA1986-R P -15.0A |
| Q440 | 55179150 | NR | B | so | 1 | PCE | TR-SHPLF 2SA1986-R P -15.0A |
| Q513 | 55179200 | NR | B | so | 1 | PCE | TR-SHPLF 2SC4883A N 2.0A |
| Q517 | 55179190 | NR | B | so | 1 | PCE | TR-SHPLF 2SA1859A P -2.0A |
| Q518 | 55179200 | NR | B | so | 1 | PCE | TR-SHPLF 2SC4883A N 2.0A |
| Q519 | 55179180 | NR | B | so | 1 | PCE | TR-SHPLF 2SC5358-R N 15.0A |
| Q520 | 55179150 | NR | B | so | 1 | PCE | TR-SHPLF 2SA1986-R P -15.0A |
| R471 | 55179340 | NR | B | ud | 1 | PCE | RW 220MI0 OHM +5% 5.0W 600PPM/'C -600PPM/'C |
| R472 | 55179340 | NR | B | ud | 1 | PCE | RW 220MI0 OHM +5% 5.0W 600PPM/'C -600PPM/'C |
| R475 | 60442550 | 16 | B | so | 1 | PCE | RMOF 10R0 OHM +5% 1.0W |
| R476 | 60442550 | 16 | B | so | 1 | PCE | RMOF 10R0 OHM +5% 1.0W |
| R481 | 15022710 | 06 | B | so | 1 | PCE | RMOF 10R0 OHM +5% 2.0W |
| R482 | 15022710 | 06 | B | so | 1 | PCE | RMOF 10R0 OHM +5% 2.0W |
| R483 | 15022710 | 06 | B | so | 1 | PCE | RMOF 10R0 OHM +5% 2.0W |
| R484 | 80442780 | NR | B | so | 1 | PCE | RMOF 4R7 OHM +5% 2.0W |
| R485 | 80442780 | NR | B | so | 1 | PCE | RMOF 4R7 OHM +5% 2.0W |
| R486 | 80442780 | NR | B | so | 1 | PCE | RMOF 4R7 OHM +5% 2.0W |
| R487 | 40440550 | NR | B | so | 1 | PCE | RMOF 3R3 OHM +5% 2.0W |
| R536 | 55179340 | NR | B | ud | 1 | PCE | RW 220MI0 OHM +5% 5.0W 600PPM/'C -600PPM/'C |
| R538 | 60442550 | 16 | B | so | 1 | PCE | RMOF 10R0 OHM +5% 1.0W |
| VR401 | 55152180 | NR | B | so | 1 | PCE | PR 1K0 OHM +30% 100MI0W |
| VR402 | 55152180 | NR | B | so | 1 | PCE | PR 1K0 OHM +30% 100MI0W |
| VR501 | 55152180 | NR | B | so | 1 | PCE | PR 1K0 OHM +30% 100MI0W |
| W401 | 55104610 | | M | SO | 1 | PCE | WCL 250-10-10 UL1007 HOOK-UP 18 250MM BK 10 10 20338840 0.0MM |
| W402 | 20899230 | | B | so | 1 | PCE | WCL 050-05-05 UL1007 HOOK-UP 26 50MM BK 5 5 20182780 0.0MM |
| WA401 | 55146560 | | B | so | 1 | PCE | CONN 2.5MM 2 MA ST NAT 0 0 |
| WA402 | 55146560 | | B | so | 1 | PCE | CONN 2.5MM 2 MA ST NAT 0 0 |
| WA403 | 55146560 | | B | so | 1 | PCE | CONN 2.5MM 2 MA ST NAT 0 0 |

PART NO : 55262010

TITEL : AC ESABD IAU MAIN BD AVR5500

| Pos | Tocom# | Pkg | M/B | St | Qty | Unit | SName |
|------|----------|-----|-----|----|-----|------|---------------------------------|
| 020 | 5518250A | | B | po | 1 | PCE | AC PCB MAIN AVR520 SINGLE LAYER |
| C101 | 20267830 | 30 | B | so | 1 | PCE | CE 47U0F +20% 16.0V 85C |
| C102 | 20267830 | 30 | B | so | 1 | PCE | CE 47U0F +20% 16.0V 85C |
| C103 | 15002130 | 30 | B | so | 1 | PCE | CE 10U0F +20% 16.0V 85C |
| C104 | 15002130 | 30 | B | so | 1 | PCE | CE 10U0F +20% 16.0V 85C |
| C105 | 20936650 | 16 | B | so | 1 | PCE | CC 100P0F +10% -10% 50.0V Y5P |
| C106 | 20936650 | 16 | B | so | 1 | PCE | CC 100P0F +10% -10% 50.0V Y5P |
| C107 | 20936650 | 16 | B | so | 1 | PCE | CC 100P0F +10% -10% 50.0V Y5P |
| C108 | 20936650 | 16 | B | so | 1 | PCE | CC 100P0F +10% -10% 50.0V Y5P |
| C109 | 20293470 | 16 | B | so | 1 | PCE | CC 100N0F +80% -20% 50.0V F |
| C110 | 20936650 | 16 | B | so | 1 | PCE | CC 100P0F +10% -10% 50.0V Y5P |
| C111 | 20936650 | 16 | B | so | 1 | PCE | CC 100P0F +10% -10% 50.0V Y5P |
| C112 | 20936650 | 16 | B | so | 1 | PCE | CC 100P0F +10% -10% 50.0V Y5P |
| C113 | 20936650 | 16 | B | so | 1 | PCE | CC 100P0F +10% -10% 50.0V Y5P |
| C115 | 20250040 | 16 | B | so | 1 | PCE | CC 220P0F +10% -10% 50.0V Y5P |
| C117 | 20250040 | 16 | B | so | 1 | PCE | CC 220P0F +10% -10% 50.0V Y5P |
| C118 | 20293470 | 16 | B | so | 1 | PCE | CC 100N0F +80% -20% 50.0V F |
| C119 | 20936650 | 16 | B | so | 1 | PCE | CC 100P0F +10% -10% 50.0V Y5P |
| C120 | 20936650 | 16 | B | so | 1 | PCE | CC 100P0F +10% -10% 50.0V Y5P |
| C121 | 20936650 | 16 | B | so | 1 | PCE | CC 100P0F +10% -10% 50.0V Y5P |
| C122 | 20936650 | 16 | B | so | 1 | PCE | CC 100P0F +10% -10% 50.0V Y5P |
| C123 | 20293470 | 16 | B | so | 1 | PCE | CC 100N0F +80% -20% 50.0V F |
| C124 | 20293470 | 16 | B | so | 1 | PCE | CC 100N0F +80% -20% 50.0V F |
| C125 | 20936650 | 16 | B | so | 1 | PCE | CC 100P0F +10% -10% 50.0V Y5P |
| C126 | 20936650 | 16 | B | so | 1 | PCE | CC 100P0F +10% -10% 50.0V Y5P |
| C127 | 20293470 | 16 | B | so | 1 | PCE | CC 100N0F +80% -20% 50.0V F |
| C128 | 20936650 | 16 | B | so | 1 | PCE | CC 100P0F +10% -10% 50.0V Y5P |
| C129 | 20936650 | 16 | B | so | 1 | PCE | CC 100P0F +10% -10% 50.0V Y5P |
| C130 | 20936650 | 16 | B | so | 1 | PCE | CC 100P0F +10% -10% 50.0V Y5P |
| C131 | 20293470 | 16 | B | so | 1 | PCE | CC 100N0F +80% -20% 50.0V F |
| C401 | 20268880 | 30 | B | so | 1 | PCE | CE 10U0F +20% 50.0V 85C |
| C402 | 20268880 | 30 | B | so | 1 | PCE | CE 10U0F +20% 50.0V 85C |
| C403 | 11055300 | 71 | B | so | 1 | PCE | CC 68P0F +5% -5% 50.0V NP0 |
| C404 | 11055300 | 71 | B | so | 1 | PCE | CC 68P0F +5% -5% 50.0V NP0 |
| C405 | 20269070 | 30 | B | so | 1 | PCE | CE 100U0F +20% 25.0V 85C |
| C406 | 20269070 | 30 | B | so | 1 | PCE | CE 100U0F +20% 25.0V 85C |
| C407 | 20269080 | 30 | B | so | 1 | PCE | CE 220U0F +20% 10.0V 85C |
| C408 | 20269080 | 30 | B | so | 1 | PCE | CE 220U0F +20% 10.0V 85C |
| C409 | 30936070 | 71 | B | so | 1 | PCE | CC 12P0F +5% -5% 50.0V NP0 |
| C410 | 30936070 | 71 | B | so | 1 | PCE | CC 12P0F +5% -5% 50.0V NP0 |
| C411 | 60439150 | 71 | B | so | 1 | PCE | CC 33P0F +5% -5% 50.0V NP0 |
| C412 | 60439150 | 71 | B | so | 1 | PCE | CC 33P0F +5% -5% 50.0V NP0 |
| C413 | 20268880 | 30 | B | so | 1 | PCE | CE 10U0F +20% 50.0V 85C |
| C414 | 20268880 | 30 | B | so | 1 | PCE | CE 10U0F +20% 50.0V 85C |
| C415 | 20268880 | 30 | B | so | 1 | PCE | CE 10U0F +20% 50.0V 85C |
| C416 | 20268880 | 30 | B | so | 1 | PCE | CE 10U0F +20% 50.0V 85C |
| C417 | 55179360 | 71 | B | so | 1 | PCE | CPM 100N0F +10% 63.0V |
| C418 | 55179360 | 71 | B | so | 1 | PCE | CPM 100N0F +10% 63.0V |
| C419 | 55179360 | 71 | B | so | 1 | PCE | CPM 100N0F +10% 63.0V |
| C420 | 55179360 | 71 | B | so | 1 | PCE | CPM 100N0F +10% 63.0V |
| C431 | 10364820 | 71 | B | so | 1 | PCE | CPF 47N0F +10% 100.0V |
| C432 | 10364820 | 71 | B | so | 1 | PCE | CPF 47N0F +10% 100.0V |

| | | | | | | | |
|-------|----------|----|---|----|---|-----|------------------------------|
| C433 | 10364820 | 71 | B | so | 1 | PCE | CPF 47N0F +10% 100.0V |
| C483 | 55095430 | 71 | B | so | 1 | PCE | CPM 100N0F +10% 250.0V |
| C484 | 10364820 | 71 | B | so | 1 | PCE | CPF 47N0F +10% 100.0V |
| C489 | 20268880 | 30 | B | so | 1 | PCE | CE 10U0F +20% 50.0V 85C |
| C490 | 20268880 | 30 | B | so | 1 | PCE | CE 10U0F +20% 50.0V 85C |
| C492 | 20268880 | 30 | B | so | 1 | PCE | CE 10U0F +20% 50.0V 85C |
| C494 | 20268880 | 30 | B | so | 1 | PCE | CE 10U0F +20% 50.0V 85C |
| C496 | 20268880 | 30 | B | so | 1 | PCE | CE 10U0F +20% 50.0V 85C |
| C497 | 20268880 | 30 | B | so | 1 | PCE | CE 10U0F +20% 50.0V 85C |
| C498 | 20268880 | 30 | B | so | 1 | PCE | CE 10U0F +20% 50.0V 85C |
| C501 | 20268880 | 30 | B | so | 1 | PCE | CE 10U0F +20% 50.0V 85C |
| C502 | 11055300 | 71 | B | so | 1 | PCE | CC 68P0F +5% -5% 50.0V NP0 |
| C503 | 20269070 | 30 | B | so | 1 | PCE | CE 100U0F +20% 25.0V 85C |
| C504 | 20269080 | 30 | B | so | 1 | PCE | CE 220U0F +20% 10.0V 85C |
| C505 | 30936070 | 71 | B | so | 1 | PCE | CC 12P0F +5% -5% 50.0V NP0 |
| C506 | 60439150 | 71 | B | so | 1 | PCE | CC 33P0F +5% -5% 50.0V NP0 |
| C507 | 20268880 | 30 | B | so | 1 | PCE | CE 10U0F +20% 50.0V 85C |
| C508 | 20268880 | 30 | B | so | 1 | PCE | CE 10U0F +20% 50.0V 85C |
| C509 | 55179360 | 71 | B | so | 1 | PCE | CPM 100N0F +10% 63.0V |
| C510 | 55179360 | 71 | B | so | 1 | PCE | CPM 100N0F +10% 63.0V |
| C551 | 55179400 | 71 | B | so | 1 | PCE | CPM 68N0F +5% 63.0V |
| C552 | 55179400 | 71 | B | so | 1 | PCE | CPM 68N0F +5% 63.0V |
| C553 | 55179400 | 71 | B | so | 1 | PCE | CPM 68N0F +5% 63.0V |
| C554 | 20252670 | 30 | B | so | 1 | PCE | CE 470U0F +20% 10.0V 85C |
| C555 | 70428520 | 71 | B | so | 1 | PCE | CC 10N0F +10% -10% 50.0V Y5P |
| C556 | 70428520 | 71 | B | so | 1 | PCE | CC 10N0F +10% -10% 50.0V Y5P |
| C564 | 55095430 | 71 | B | so | 1 | PCE | CPM 100N0F +10% 250.0V |
| C565 | 55095430 | 71 | B | so | 1 | PCE | CPM 100N0F +10% 250.0V |
| C566 | 10364820 | 71 | B | so | 1 | PCE | CPF 47N0F +10% 100.0V |
| C567 | 10364820 | 71 | B | so | 1 | PCE | CPF 47N0F +10% 100.0V |
| C568 | 15002130 | 30 | B | so | 1 | PCE | CE 10U0F +20% 16.0V 85C |
| C569 | 40433580 | 71 | B | so | 1 | PCE | CC 68P0F +10% -10% 50.0V Y5P |
| C570 | 40433580 | 71 | B | so | 1 | PCE | CC 68P0F +10% -10% 50.0V Y5P |
| C571 | 40433580 | 71 | B | so | 1 | PCE | CC 68P0F +10% -10% 50.0V Y5P |
| D401 | 70436540 | 16 | B | so | 1 | PCE | D-SLP 1N4148 100.0V 150E-3A |
| D402 | 70436540 | 16 | B | so | 1 | PCE | D-SLP 1N4148 100.0V 150E-3A |
| D403 | 70436540 | 16 | B | so | 1 | PCE | D-SLP 1N4148 100.0V 150E-3A |
| D404 | 70436540 | 16 | B | so | 1 | PCE | D-SLP 1N4148 100.0V 150E-3A |
| D405 | 70436540 | 16 | B | so | 1 | PCE | D-SLP 1N4148 100.0V 150E-3A |
| D406 | 70436540 | 16 | B | so | 1 | PCE | D-SLP 1N4148 100.0V 150E-3A |
| D501 | 70436540 | 16 | B | so | 1 | PCE | D-SLP 1N4148 100.0V 150E-3A |
| D502 | 70436540 | 16 | B | so | 1 | PCE | D-SLP 1N4148 100.0V 150E-3A |
| D551 | 70436540 | 16 | B | so | 1 | PCE | D-SLP 1N4148 100.0V 150E-3A |
| D552 | 70436540 | 16 | B | so | 1 | PCE | D-SLP 1N4148 100.0V 150E-3A |
| D553 | 70436540 | 16 | B | so | 1 | PCE | D-SLP 1N4148 100.0V 150E-3A |
| D554 | 70436540 | 16 | B | so | 1 | PCE | D-SLP 1N4148 100.0V 150E-3A |
| D555 | 70436540 | 16 | B | so | 1 | PCE | D-SLP 1N4148 100.0V 150E-3A |
| D556 | 70436540 | 16 | B | so | 1 | PCE | D-SLP 1N4148 100.0V 150E-3A |
| D566 | 70436540 | 16 | B | so | 1 | PCE | D-SLP 1N4148 100.0V 150E-3A |
| D567 | 70436540 | 16 | B | so | 1 | PCE | D-SLP 1N4148 100.0V 150E-3A |
| FH401 | 55170330 | CM | B | so | 1 | PCE | TERMFUSEHLDR FUSE-HOLDER |
| FH402 | 55170330 | CM | B | so | 1 | PCE | TERMFUSEHLDR FUSE-HOLDER |
| FH403 | 55170330 | CM | B | so | 1 | PCE | TERMFUSEHLDR FUSE-HOLDER |

| | | | | | | | |
|-------|----------|----|---|----|---|-----|-----------------------------------|
| FH404 | 55170330 | CM | B | so | 1 | PCE | TERMFUSEHLDR FUSE-HOLDER |
| FH405 | 55170330 | CM | B | so | 1 | PCE | TERMFUSEHLDR FUSE-HOLDER |
| FH406 | 55170330 | CM | B | so | 1 | PCE | TERMFUSEHLDR FUSE-HOLDER |
| FH407 | 55170330 | CM | B | so | 1 | PCE | TERMFUSEHLDR FUSE-HOLDER |
| FH408 | 55170330 | CM | B | so | 1 | PCE | TERMFUSEHLDR FUSE-HOLDER |
| Q401 | 20556600 | 56 | B | so | 1 | PCE | TR-SHPLF KTC3200BL N 100MI0A 120V |
| Q402 | 20556600 | 56 | B | so | 1 | PCE | TR-SHPLF KTC3200BL N 100MI0A 120V |
| Q403 | 20556600 | 56 | B | so | 1 | PCE | TR-SHPLF KTC3200BL N 100MI0A 120V |
| Q404 | 20556600 | 56 | B | so | 1 | PCE | TR-SHPLF KTC3200BL N 100MI0A 120V |
| Q405 | 20556600 | 56 | B | so | 1 | PCE | TR-SHPLF KTC3200BL N 100MI0A 120V |
| Q406 | 20556600 | 56 | B | so | 1 | PCE | TR-SHPLF KTC3200BL N 100MI0A 120V |
| Q407 | 20508080 | 56 | B | so | 1 | PCE | TR-SLPLF KTC3198BL N 150MI0A |
| Q408 | 20508080 | 56 | B | so | 1 | PCE | TR-SLPLF KTC3198BL N 150MI0A |
| Q411 | 20647850 | 56 | B | so | 1 | PCE | TR-SHPLF KTA1268BL P 100MI0A 120V |
| Q412 | 20647850 | 56 | B | so | 1 | PCE | TR-SHPLF KTA1268BL P 100MI0A 120V |
| Q413 | 20647850 | 56 | B | so | 1 | PCE | TR-SHPLF KTA1268BL P 100MI0A 120V |
| Q414 | 20647850 | 56 | B | so | 1 | PCE | TR-SHPLF KTA1268BL P 100MI0A 120V |
| Q415 | 20556600 | 56 | B | so | 1 | PCE | TR-SHPLF KTC3200BL N 100MI0A 120V |
| Q416 | 20556600 | 56 | B | so | 1 | PCE | TR-SHPLF KTC3200BL N 100MI0A 120V |
| Q417 | 55133260 | 56 | B | so | 1 | PCE | TR-SLPLF KTA1024 Y P 50MI0A -150V |
| Q418 | 55133260 | 56 | B | so | 1 | PCE | TR-SLPLF KTA1024 Y P 50MI0A -150V |
| Q419 | 55133240 | 56 | B | so | 1 | PCE | TR-SLPLF KTC3206 Y N 50MI0A 150V |
| Q420 | 55133240 | 56 | B | so | 1 | PCE | TR-SLPLF KTC3206 Y N 50MI0A 150V |
| Q421 | 55133260 | 56 | B | so | 1 | PCE | TR-SLPLF KTA1024 Y P 50MI0A -150V |
| Q422 | 55133260 | 56 | B | so | 1 | PCE | TR-SLPLF KTA1024 Y P 50MI0A -150V |
| Q423 | 55133240 | 56 | B | so | 1 | PCE | TR-SLPLF KTC3206 Y N 50MI0A 150V |
| Q424 | 55133240 | 56 | B | so | 1 | PCE | TR-SLPLF KTC3206 Y N 50MI0A 150V |
| Q427 | 20556600 | 56 | B | so | 1 | PCE | TR-SHPLF KTC3200BL N 100MI0A 120V |
| Q428 | 20556600 | 56 | B | so | 1 | PCE | TR-SHPLF KTC3200BL N 100MI0A 120V |
| Q429 | 55133240 | 56 | B | so | 1 | PCE | TR-SLPLF KTC3206 Y N 50MI0A 150V |
| Q430 | 55133240 | 56 | B | so | 1 | PCE | TR-SLPLF KTC3206 Y N 50MI0A 150V |
| Q431 | 55133260 | 56 | B | so | 1 | PCE | TR-SLPLF KTA1024 Y P 50MI0A -150V |
| Q432 | 55133260 | 56 | B | so | 1 | PCE | TR-SLPLF KTA1024 Y P 50MI0A -150V |
| Q501 | 20556600 | 56 | B | so | 1 | PCE | TR-SHPLF KTC3200BL N 100MI0A 120V |
| Q502 | 20556600 | 56 | B | so | 1 | PCE | TR-SHPLF KTC3200BL N 100MI0A 120V |
| Q503 | 20556600 | 56 | B | so | 1 | PCE | TR-SHPLF KTC3200BL N 100MI0A 120V |
| Q504 | 20508080 | 56 | B | so | 1 | PCE | TR-SLPLF KTC3198BL N 150MI0A |
| Q506 | 20647850 | 56 | B | so | 1 | PCE | TR-SHPLF KTA1268BL P 100MI0A 120V |
| Q507 | 20647850 | 56 | B | so | 1 | PCE | TR-SHPLF KTA1268BL P 100MI0A 120V |
| Q508 | 20556600 | 56 | B | so | 1 | PCE | TR-SHPLF KTC3200BL N 100MI0A 120V |
| Q509 | 55133260 | 56 | B | so | 1 | PCE | TR-SLPLF KTA1024 Y P 50MI0A -150V |
| Q510 | 55133240 | 56 | B | so | 1 | PCE | TR-SLPLF KTC3206 Y N 50MI0A 150V |
| Q511 | 55133260 | 56 | B | so | 1 | PCE | TR-SLPLF KTA1024 Y P 50MI0A -150V |
| Q512 | 55133240 | 56 | B | so | 1 | PCE | TR-SLPLF KTC3206 Y N 50MI0A 150V |
| Q514 | 20556600 | 56 | B | so | 1 | PCE | TR-SHPLF KTC3200BL N 100MI0A 120V |
| Q515 | 55133240 | 56 | B | so | 1 | PCE | TR-SLPLF KTC3206 Y N 50MI0A 150V |
| Q516 | 55133260 | 56 | B | so | 1 | PCE | TR-SLPLF KTA1024 Y P 50MI0A -150V |
| Q551 | 20556600 | 56 | B | so | 1 | PCE | TR-SHPLF KTC3200BL N 100MI0A 120V |
| Q552 | 20556600 | 56 | B | so | 1 | PCE | TR-SHPLF KTC3200BL N 100MI0A 120V |
| Q553 | 20556600 | 56 | B | so | 1 | PCE | TR-SHPLF KTC3200BL N 100MI0A 120V |
| Q554 | 20508080 | 56 | B | so | 1 | PCE | TR-SLPLF KTC3198BL N 150MI0A |
| Q555 | 20508080 | 56 | B | so | 1 | PCE | TR-SLPLF KTC3198BL N 150MI0A |
| Q556 | 20508080 | 56 | B | so | 1 | PCE | TR-SLPLF KTC3198BL N 150MI0A |

| | | | | | | | |
|------|----------|----|---|----|---|-----|-----------------------------------|
| Q557 | 20508210 | 56 | B | so | 1 | PCE | TR-SLPLF KTA1266 Y P 150MI0A |
| Q558 | 55133260 | 56 | B | so | 1 | PCE | TR-SLPLF KTA1024 Y P 50MI0A -150V |
| Q559 | 55133210 | 56 | B | so | 0 | PCE | TR-SLPLF DTC114YSA N 100MI0A |
| Q559 | 55179230 | 56 | B | so | 1 | PCE | TR-SLPSWA KRC107M N |
| Q561 | 20647850 | 56 | B | so | 1 | PCE | TR-SHPLF KTA1268BL P 100MI0A 120V |
| R101 | 30939510 | 16 | B | so | 1 | PCE | RCF 100K0 OHM +5% 250MI0W |
| R102 | 30939510 | 16 | B | so | 1 | PCE | RCF 100K0 OHM +5% 250MI0W |
| R103 | 90571120 | 16 | B | so | 1 | PCE | RCF 12K0 OHM +5% 250MI0W |
| R104 | 90571120 | 16 | B | so | 1 | PCE | RCF 12K0 OHM +5% 250MI0W |
| R105 | 11059640 | 16 | B | so | 1 | PCE | RCF 1K0 OHM +5% 250MI0W |
| R106 | 11059640 | 16 | B | so | 1 | PCE | RCF 1K0 OHM +5% 250MI0W |
| R107 | 50882950 | 16 | B | so | 1 | PCE | RCF 100R0 OHM +5% 250MI0W |
| R108 | 30939510 | 16 | B | so | 1 | PCE | RCF 100K0 OHM +5% 250MI0W |
| R109 | 30939510 | 16 | B | so | 1 | PCE | RCF 100K0 OHM +5% 250MI0W |
| R110 | 50882950 | 16 | B | so | 1 | PCE | RCF 100R0 OHM +5% 250MI0W |
| R111 | 50882970 | 16 | B | so | 1 | PCE | RCF 470R0 OHM +5% 250MI0W |
| R112 | 20469460 | 16 | B | so | 1 | PCE | RCF 2K2 OHM +5% 250MI0W |
| R113 | 30939510 | 16 | B | so | 1 | PCE | RCF 100K0 OHM +5% 250MI0W |
| R114 | 30939510 | 16 | B | so | 1 | PCE | RCF 100K0 OHM +5% 250MI0W |
| R115 | 50882970 | 16 | B | so | 1 | PCE | RCF 470R0 OHM +5% 250MI0W |
| R116 | 50882970 | 16 | B | so | 1 | PCE | RCF 470R0 OHM +5% 250MI0W |
| R117 | 30939510 | 16 | B | so | 1 | PCE | RCF 100K0 OHM +5% 250MI0W |
| R118 | 30939510 | 16 | B | so | 1 | PCE | RCF 100K0 OHM +5% 250MI0W |
| R119 | 50882970 | 16 | B | so | 1 | PCE | RCF 470R0 OHM +5% 250MI0W |
| R120 | 50882970 | 16 | B | so | 1 | PCE | RCF 470R0 OHM +5% 250MI0W |
| R121 | 50882970 | 16 | B | so | 1 | PCE | RCF 470R0 OHM +5% 250MI0W |
| R122 | 50882970 | 16 | B | so | 1 | PCE | RCF 470R0 OHM +5% 250MI0W |
| R123 | 50882970 | 16 | B | so | 1 | PCE | RCF 470R0 OHM +5% 250MI0W |
| R125 | 50882970 | 16 | B | so | 1 | PCE | RCF 470R0 OHM +5% 250MI0W |
| R126 | 50882970 | 16 | B | so | 1 | PCE | RCF 470R0 OHM +5% 250MI0W |
| R127 | 30939510 | 16 | B | so | 1 | PCE | RCF 100K0 OHM +5% 250MI0W |
| R128 | 30939510 | 16 | B | so | 1 | PCE | RCF 100K0 OHM +5% 250MI0W |
| R129 | 30939510 | 16 | B | so | 1 | PCE | RCF 100K0 OHM +5% 250MI0W |
| R130 | 50882970 | 16 | B | so | 1 | PCE | RCF 470R0 OHM +5% 250MI0W |
| R132 | 30939510 | 16 | B | so | 1 | PCE | RCF 100K0 OHM +5% 250MI0W |
| R401 | 60441550 | 16 | B | so | 1 | PCE | RCF 330R0 OHM +5% 250MI0W |
| R402 | 60441550 | 16 | B | so | 1 | PCE | RCF 330R0 OHM +5% 250MI0W |
| R403 | 90571130 | 16 | B | so | 1 | PCE | RCF 39K0 OHM +5% 250MI0W |
| R404 | 90571130 | 16 | B | so | 1 | PCE | RCF 39K0 OHM +5% 250MI0W |
| R405 | 40435630 | 16 | B | so | 1 | PCE | RCF 1K5 OHM +5% 250MI0W |
| R406 | 40435630 | 16 | B | so | 1 | PCE | RCF 1K5 OHM +5% 250MI0W |
| R407 | 40435630 | 16 | B | so | 1 | PCE | RCF 1K5 OHM +5% 250MI0W |
| R408 | 40435630 | 16 | B | so | 1 | PCE | RCF 1K5 OHM +5% 250MI0W |
| R409 | 20469450 | 16 | B | so | 1 | PCE | RCF 220R0 OHM +5% 250MI0W |
| R410 | 20469450 | 16 | B | so | 1 | PCE | RCF 220R0 OHM +5% 250MI0W |
| R411 | 20469450 | 16 | B | so | 1 | PCE | RCF 220R0 OHM +5% 250MI0W |
| R412 | 20469450 | 16 | B | so | 1 | PCE | RCF 220R0 OHM +5% 250MI0W |
| R413 | 11059610 | 16 | B | so | 1 | PCE | RCF 270R0 OHM +5% 250MI0W |
| R414 | 11059610 | 16 | B | so | 1 | PCE | RCF 270R0 OHM +5% 250MI0W |
| R415 | 20469510 | 16 | B | so | 1 | PCE | RCF 43K0 OHM +5% 250MI0W |
| R416 | 20469510 | 16 | B | so | 1 | PCE | RCF 43K0 OHM +5% 250MI0W |
| R417 | 90571130 | 16 | B | so | 1 | PCE | RCF 39K0 OHM +5% 250MI0W |
| R418 | 90571130 | 16 | B | so | 1 | PCE | RCF 39K0 OHM +5% 250MI0W |

| | | | | | | | |
|------|----------|----|---|----|---|-----|---------------------------|
| R419 | 11059660 | 16 | B | so | 1 | PCE | RCF 2K0 OHM +5% 250MI0W |
| R420 | 11059660 | 16 | B | so | 1 | PCE | RCF 2K0 OHM +5% 250MI0W |
| R421 | 60441560 | 16 | B | so | 1 | PCE | RCF 560R0 OHM +5% 250MI0W |
| R422 | 60441560 | 16 | B | so | 1 | PCE | RCF 560R0 OHM +5% 250MI0W |
| R423 | 60441560 | 16 | B | so | 1 | PCE | RCF 560R0 OHM +5% 250MI0W |
| R424 | 60441560 | 16 | B | so | 1 | PCE | RCF 560R0 OHM +5% 250MI0W |
| R425 | 60441560 | 16 | B | so | 1 | PCE | RCF 560R0 OHM +5% 250MI0W |
| R426 | 60441560 | 16 | B | so | 1 | PCE | RCF 560R0 OHM +5% 250MI0W |
| R427 | 60441560 | 16 | B | so | 1 | PCE | RCF 560R0 OHM +5% 250MI0W |
| R428 | 60441560 | 16 | B | so | 1 | PCE | RCF 560R0 OHM +5% 250MI0W |
| R429 | 60441560 | 16 | B | so | 1 | PCE | RCF 560R0 OHM +5% 250MI0W |
| R430 | 60441560 | 16 | B | so | 1 | PCE | RCF 560R0 OHM +5% 250MI0W |
| R431 | 60441560 | 16 | B | so | 1 | PCE | RCF 560R0 OHM +5% 250MI0W |
| R432 | 60441560 | 16 | B | so | 1 | PCE | RCF 560R0 OHM +5% 250MI0W |
| R433 | 50882960 | 16 | B | so | 1 | PCE | RCF 150R0 OHM +5% 250MI0W |
| R434 | 50882960 | 16 | B | so | 1 | PCE | RCF 150R0 OHM +5% 250MI0W |
| R435 | 50882960 | 16 | B | so | 1 | PCE | RCF 150R0 OHM +5% 250MI0W |
| R436 | 50882960 | 16 | B | so | 1 | PCE | RCF 150R0 OHM +5% 250MI0W |
| R437 | 50883010 | 16 | B | so | 1 | PCE | RCF 15K0 OHM +5% 250MI0W |
| R438 | 50883010 | 16 | B | so | 1 | PCE | RCF 15K0 OHM +5% 250MI0W |
| R439 | 50883010 | 16 | B | so | 1 | PCE | RCF 15K0 OHM +5% 250MI0W |
| R440 | 50883010 | 16 | B | so | 1 | PCE | RCF 15K0 OHM +5% 250MI0W |
| R441 | 50882960 | 16 | B | so | 1 | PCE | RCF 150R0 OHM +5% 250MI0W |
| R442 | 50882960 | 16 | B | so | 1 | PCE | RCF 150R0 OHM +5% 250MI0W |
| R443 | 50882960 | 16 | B | so | 1 | PCE | RCF 150R0 OHM +5% 250MI0W |
| R444 | 50882960 | 16 | B | so | 1 | PCE | RCF 150R0 OHM +5% 250MI0W |
| R445 | 55242290 | 16 | B | ud | 1 | PCE | RCF 10R0 OHM +5% 250MI0W |
| R446 | 55242290 | 16 | B | ud | 1 | PCE | RCF 10R0 OHM +5% 250MI0W |
| R447 | 55242290 | 16 | B | ud | 1 | PCE | RCF 10R0 OHM +5% 250MI0W |
| R448 | 55242290 | 16 | B | ud | 1 | PCE | RCF 10R0 OHM +5% 250MI0W |
| R449 | 11059640 | 16 | B | so | 1 | PCE | RCF 1K0 OHM +5% 250MI0W |
| R450 | 11059640 | 16 | B | so | 1 | PCE | RCF 1K0 OHM +5% 250MI0W |
| R451 | 60441560 | 16 | B | so | 1 | PCE | RCF 560R0 OHM +5% 250MI0W |
| R452 | 60441560 | 16 | B | so | 1 | PCE | RCF 560R0 OHM +5% 250MI0W |
| R453 | 40435640 | 16 | B | so | 1 | PCE | RCF 4K7 OHM +5% 250MI0W |
| R454 | 40435640 | 16 | B | so | 1 | PCE | RCF 4K7 OHM +5% 250MI0W |
| R455 | 70430560 | 16 | B | so | 1 | PCE | RCF 5K6 OHM +5% 250MI0W |
| R456 | 70430560 | 16 | B | so | 1 | PCE | RCF 5K6 OHM +5% 250MI0W |
| R457 | 50882950 | 16 | B | so | 1 | PCE | RCF 100R0 OHM +5% 250MI0W |
| R458 | 50882950 | 16 | B | so | 1 | PCE | RCF 100R0 OHM +5% 250MI0W |
| R459 | 50882950 | 16 | B | so | 1 | PCE | RCF 100R0 OHM +5% 250MI0W |
| R460 | 50882950 | 16 | B | so | 1 | PCE | RCF 100R0 OHM +5% 250MI0W |
| R461 | 30939370 | 16 | B | so | 1 | PCE | RCF 15R0 OHM +5% 250MI0W |
| R462 | 30939370 | 16 | B | so | 1 | PCE | RCF 15R0 OHM +5% 250MI0W |
| R463 | 30939370 | 16 | B | so | 1 | PCE | RCF 15R0 OHM +5% 250MI0W |
| R464 | 30939370 | 16 | B | so | 1 | PCE | RCF 15R0 OHM +5% 250MI0W |
| R465 | 40438910 | 16 | B | so | 1 | PCE | RCF 2R2 OHM +5% 250MI0W |
| R466 | 40438910 | 16 | B | so | 1 | PCE | RCF 2R2 OHM +5% 250MI0W |
| R467 | 40438910 | 16 | B | so | 1 | PCE | RCF 2R2 OHM +5% 250MI0W |
| R468 | 40438910 | 16 | B | so | 1 | PCE | RCF 2R2 OHM +5% 250MI0W |
| R469 | 11059590 | 16 | B | so | 1 | PCE | RCF 82R0 OHM +5% 250MI0W |
| R470 | 11059590 | 16 | B | so | 1 | PCE | RCF 82R0 OHM +5% 250MI0W |
| R473 | 55242290 | 16 | B | ud | 1 | PCE | RCF 10R0 OHM +5% 250MI0W |

| | | | | | | | |
|------|----------|----|---|----|---|-----|---------------------------|
| R474 | 55242290 | 16 | B | ud | 1 | PCE | RCF 10R0 OHM +5% 250MI0W |
| R477 | 55242290 | 16 | B | ud | 1 | PCE | RCF 10R0 OHM +5% 250MI0W |
| R478 | 55242290 | 16 | B | ud | 1 | PCE | RCF 10R0 OHM +5% 250MI0W |
| R489 | 20469450 | 16 | B | so | 1 | PCE | RCF 220R0 OHM +5% 250MI0W |
| R490 | 11059630 | 16 | B | so | 1 | PCE | RCF 680R0 OHM +5% 250MI0W |
| R501 | 60441550 | 16 | B | so | 1 | PCE | RCF 330R0 OHM +5% 250MI0W |
| R502 | 90571130 | 16 | B | so | 1 | PCE | RCF 39K0 OHM +5% 250MI0W |
| R503 | 40435630 | 16 | B | so | 1 | PCE | RCF 1K5 OHM +5% 250MI0W |
| R504 | 40435630 | 16 | B | so | 1 | PCE | RCF 1K5 OHM +5% 250MI0W |
| R505 | 20469450 | 16 | B | so | 1 | PCE | RCF 220R0 OHM +5% 250MI0W |
| R506 | 20469450 | 16 | B | so | 1 | PCE | RCF 220R0 OHM +5% 250MI0W |
| R507 | 11059610 | 16 | B | so | 1 | PCE | RCF 270R0 OHM +5% 250MI0W |
| R508 | 20469510 | 16 | B | so | 1 | PCE | RCF 43K0 OHM +5% 250MI0W |
| R509 | 90571130 | 16 | B | so | 1 | PCE | RCF 39K0 OHM +5% 250MI0W |
| R510 | 11059660 | 16 | B | so | 1 | PCE | RCF 2K0 OHM +5% 250MI0W |
| R511 | 60441560 | 16 | B | so | 1 | PCE | RCF 560R0 OHM +5% 250MI0W |
| R512 | 60441560 | 16 | B | so | 1 | PCE | RCF 560R0 OHM +5% 250MI0W |
| R513 | 60441560 | 16 | B | so | 1 | PCE | RCF 560R0 OHM +5% 250MI0W |
| R514 | 60441560 | 16 | B | so | 1 | PCE | RCF 560R0 OHM +5% 250MI0W |
| R515 | 60441560 | 16 | B | so | 1 | PCE | RCF 560R0 OHM +5% 250MI0W |
| R516 | 60441560 | 16 | B | so | 1 | PCE | RCF 560R0 OHM +5% 250MI0W |
| R517 | 50882960 | 16 | B | so | 1 | PCE | RCF 150R0 OHM +5% 250MI0W |
| R518 | 50882960 | 16 | B | so | 1 | PCE | RCF 150R0 OHM +5% 250MI0W |
| R519 | 50883010 | 16 | B | so | 1 | PCE | RCF 15K0 OHM +5% 250MI0W |
| R520 | 50883010 | 16 | B | so | 1 | PCE | RCF 15K0 OHM +5% 250MI0W |
| R521 | 50882960 | 16 | B | so | 1 | PCE | RCF 150R0 OHM +5% 250MI0W |
| R522 | 50882960 | 16 | B | so | 1 | PCE | RCF 150R0 OHM +5% 250MI0W |
| R523 | 55242290 | 16 | B | ud | 1 | PCE | RCF 10R0 OHM +5% 250MI0W |
| R524 | 55242290 | 16 | B | ud | 1 | PCE | RCF 10R0 OHM +5% 250MI0W |
| R525 | 11059640 | 16 | B | so | 1 | PCE | RCF 1K0 OHM +5% 250MI0W |
| R526 | 60441560 | 16 | B | so | 1 | PCE | RCF 560R0 OHM +5% 250MI0W |
| R527 | 40435640 | 16 | B | so | 1 | PCE | RCF 4K7 OHM +5% 250MI0W |
| R528 | 70430560 | 16 | B | so | 1 | PCE | RCF 5K6 OHM +5% 250MI0W |
| R529 | 50882950 | 16 | B | so | 1 | PCE | RCF 100R0 OHM +5% 250MI0W |
| R530 | 50882950 | 16 | B | so | 1 | PCE | RCF 100R0 OHM +5% 250MI0W |
| R531 | 30939370 | 16 | B | so | 1 | PCE | RCF 15R0 OHM +5% 250MI0W |
| R532 | 30939370 | 16 | B | so | 1 | PCE | RCF 15R0 OHM +5% 250MI0W |
| R533 | 40438910 | 16 | B | so | 1 | PCE | RCF 2R2 OHM +5% 250MI0W |
| R534 | 40438910 | 16 | B | so | 1 | PCE | RCF 2R2 OHM +5% 250MI0W |
| R535 | 11059590 | 16 | B | so | 1 | PCE | RCF 82R0 OHM +5% 250MI0W |
| R537 | 55242290 | 16 | B | ud | 1 | PCE | RCF 10R0 OHM +5% 250MI0W |
| R539 | 55242290 | 16 | B | ud | 1 | PCE | RCF 10R0 OHM +5% 250MI0W |
| R551 | 40435630 | 16 | B | so | 1 | PCE | RCF 1K5 OHM +5% 250MI0W |
| R552 | 40435630 | 16 | B | so | 1 | PCE | RCF 1K5 OHM +5% 250MI0W |
| R553 | 50883010 | 16 | B | so | 1 | PCE | RCF 15K0 OHM +5% 250MI0W |
| R554 | 50883010 | 16 | B | so | 1 | PCE | RCF 15K0 OHM +5% 250MI0W |
| R555 | 60441580 | 16 | B | so | 1 | PCE | RCF 22K0 OHM +5% 250MI0W |
| R556 | 60441580 | 16 | B | so | 1 | PCE | RCF 22K0 OHM +5% 250MI0W |
| R557 | 40435630 | 16 | B | so | 1 | PCE | RCF 1K5 OHM +5% 250MI0W |
| R558 | 50883010 | 16 | B | so | 1 | PCE | RCF 15K0 OHM +5% 250MI0W |
| R559 | 60441580 | 16 | B | so | 1 | PCE | RCF 22K0 OHM +5% 250MI0W |
| R561 | 70430570 | 16 | B | so | 1 | PCE | RCF 8K2 OHM +5% 250MI0W |
| R562 | 11059710 | 16 | B | so | 1 | PCE | RCF 56K0 OHM +5% 250MI0W |

| | | | | | | | |
|------|----------|----|---|----|---|-----|---------------------------|
| R563 | 11059710 | 16 | B | so | 1 | PCE | RCF 56K0 OHM +5% 250MI0W |
| R564 | 11059710 | 16 | B | so | 1 | PCE | RCF 56K0 OHM +5% 250MI0W |
| R565 | 50883010 | 16 | B | so | 1 | PCE | RCF 15K0 OHM +5% 250MI0W |
| R566 | 50882950 | 16 | B | so | 1 | PCE | RCF 100R0 OHM +5% 250MI0W |
| R567 | 30939480 | 16 | B | so | 1 | PCE | RCF 10K0 OHM +5% 250MI0W |
| R568 | 30939480 | 16 | B | so | 1 | PCE | RCF 10K0 OHM +5% 250MI0W |
| R569 | 30939480 | 16 | B | so | 1 | PCE | RCF 10K0 OHM +5% 250MI0W |
| R570 | 11059610 | 16 | B | so | 1 | PCE | RCF 270R0 OHM +5% 250MI0W |
| R571 | 80437030 | 16 | B | so | 1 | PCE | RCF 27K0 OHM +5% 250MI0W |
| R585 | 40435630 | 16 | B | so | 1 | PCE | RCF 1K5 OHM +5% 250MI0W |
| R586 | 40435630 | 16 | B | so | 1 | PCE | RCF 1K5 OHM +5% 250MI0W |
| R587 | 90571130 | 16 | B | so | 1 | PCE | RCF 39K0 OHM +5% 250MI0W |
| R588 | 90571130 | 16 | B | so | 1 | PCE | RCF 39K0 OHM +5% 250MI0W |
| R589 | 40435630 | 16 | B | so | 1 | PCE | RCF 1K5 OHM +5% 250MI0W |
| R590 | 90571130 | 16 | B | so | 1 | PCE | RCF 39K0 OHM +5% 250MI0W |
| R591 | 30939480 | 16 | B | so | 1 | PCE | RCF 10K0 OHM +5% 250MI0W |
| R592 | 90571130 | 16 | B | so | 1 | PCE | RCF 39K0 OHM +5% 250MI0W |
| R593 | 50882970 | 16 | B | so | 1 | PCE | RCF 470R0 OHM +5% 250MI0W |
| R594 | 50882970 | 16 | B | so | 1 | PCE | RCF 470R0 OHM +5% 250MI0W |
| R595 | 50882970 | 16 | B | so | 1 | PCE | RCF 470R0 OHM +5% 250MI0W |

PART NO : 55261800

TITEL : AC MECH BOM AVR5500 HARMAN OEM

| Pos | Tocom# | Pkg | M/B | St | Qty | Unit | SName |
|------|----------|-----|-----|----|-----|------|--|
| 0050 | 55170390 | | B | so | 20 | PCE | CABLE-FIX WIRE-TIE MELLERMAI NYLON6 0 0 |
| 0060 | 55262270 | | B | so | 1 | PCE | AC MSA ASY TU MODULE KST-M9114MA1-30 |
| 0070 | 55262360 | | M | UD | 1 | PCE | AC DEC CABINET PANEL FRONT AVR5500 |
| 0080 | 55177740 | | M | SO | 1 | PCE | AC DEC KNOB MAIN HIPS 94H |
| 0090 | 55177750 | | M | SO | 3 | PCE | AC DEC KNOB TONE HIPS |
| 0100 | 55177760 | | M | SO | 1 | PCE | AC DEC BUTTON 3 KEY HIPS 9 |
| 0110 | 55177780 | | M | SO | 1 | PCE | AC DEC BUTTON 5 KEY |
| 0120 | 55177790 | | M | SO | 1 | PCE | AC DEC BUTTON 7 KEY |
| 0130 | 55247230 | | B | ud | 1 | PCE | AC DEC CRYSTAL DISPLAY AVR5500 |
| 0150 | 55177800 | | B | ud | 1 | PCE | AC DEC CRYSTAL FILTER DISPLAY |
| 0160 | 55191560 | | B | so | 1 | PCE | AC NON-METAL DIFFUSER 0.2T 62.5*41 WH |
| 0170 | 55177990 | | B | so | 1 | PCE | AC NON-METAL DIFFUSER 0.2T 59.6*41 WH |
| 0180 | 55178000 | NR | B | so | 1 | PCE | SWIPUSH POWER SWITCH 5.0A 250.0V 100MIOHM 1T 2P |
| 0200 | 55177810 | | M | SO | 1 | PCE | AC DEC BUTTON POWER HIPS DVD10 |
| 0210 | 55177820 | | M | SO | 1 | PCE | AC DEC BUTTON STANDBY |
| 0220 | 55178020 | | M | SO | 1 | PCE | AC MLD BUTTON INDICATOR STAND-BY AVR520 |
| 0221 | 55178030 | | M | SO | 2 | PCE | AC MLD BUTTON INDICATOR VIDEO 4 AVR520 |
| 0230 | 55124350 | | B | so | 1 | PCE | AC PUN BRACKET HEADPHONE RT2280/RT2250(PAV5007/5005) |
| 0250 | 55178050 | | B | ud | 1 | PCE | AC PUN COVER TOP AVR520 -- |
| 0260 | 5517807A | | B | so | 1 | PCE | AC CPL CABINET CHASSIS MAIN SECC 1.0T AVR520 |
| 0261 | 55178380 | | B | ud | 1 | PCE | AC PRI LABEL BARCODE AVR520 |
| 0270 | 55178080 | | B | ud | 1 | PCE | AC PUN COVER BOTTOM SECC T1.0 AVR45UL -- |
| 0271 | 55127280 | | B | so | 10 | PCE | SCREW-ST 3MM 6MM JIS B 1122 25 0 0 |
| 0280 | 5517809A | | B | so | 1 | PCE | AC PUN COVER TRANS BOTTOM SECC 1.0T AVR520 -- |
| 0300 | 55178110 | | M | SO | 4 | PCE | AC FOOT ASSY ROUND 12.5MM 50MM NOT DEFINED Y DIA |
| 0301 | 55174760 | | B | so | 4 | PCE | AC FOOT RUBBER ROUND 3.0MM 25.0MM JIS 60 Y DIA |
| 0310 | 55178170 | | B | ud | 2 | PCE | AC PUN BRACKET FRAME-GUIDE SECC T1.0 |
| 0320 | 55178230 | | B | ud | 2 | PCE | AC PUN BRACKET PCB SECC T1.0 AVR520 |
| 0340 | 55178300 | | B | ud | 3 | PCE | AC BUFFER CUSHION-BRK'T EVA |
| 0350 | 55178250 | | B | ud | 1 | PCE | AC CPL CABINET CHASSIS FRONT SECC 1.0T AVR520 |
| 0370 | 55191780 | | B | ud | 1 | PCE | AC METAL HEATSINK(MAIN) AL6063 AVR520 -- |
| 0380 | 55191790 | | B | ud | 1 | PCE | AC METAL HEATSINK(SURR) AL6063 AVR520 -- |
| 0390 | 55255710 | | B | so | 1 | PCE | AC PUN BRACKET HEATSINK SECC1.2T AVR520 |
| 0400 | 55127300 | | B | so | 10 | PCE | WASHER-SPR 3.0MM 5.0MM 1.0MM Y 53 0 I4 |
| 0410 | 55127310 | | B | so | 10 | PCE | WASHER 3.3MM 8.0MM 0.5MM Y 53 0 A4 |
| 0420 | 55163910 | NR | B | so | 1 | PCE | TF-LAM POWER-TRANSFORMER 230V |
| 0430 | 55188980 | | B | ud | 1 | PCE | WIRE-MCRDM 1830MM BK CORD POWER CE |
| 0440 | 55177880 | | B | ud | 4 | PCE | WASHER-SPR 4.0MM 8.0MM 1.0MM GB 53 0 A4 |
| 0450 | 55178390 | | B | ud | 5 | PCE | WASHER 4.5MM 12MM 1.0MM 0 A4 |
| 0460 | 55247250 | | B | ud | 1 | PCE | AC CPL REAR PANEL AVR5500 |
| 0470 | 55125180 | | B | so | 1 | PCE | AC MLD CLAMP AC CORD RT2280/RT2250(PAV5007/PAV5005) |
| 0480 | 55125220 | | B | so | 11 | PCE | AC BUFFER PCB |
| 0490 | 55178400 | | B | ud | 1 | PCE | AC BUFFER CUSHION (A) EVA |
| 0500 | 55127070 | | B | so | 62 | PCE | SCREW-ST 3MM 10MM JIS B 1122 25 0 0 |
| 0510 | 55127120 | | B | so | 31 | PCE | SCREW-ST 3MM 8MM JIS B 1122 53 0 0 |
| 0511 | 55164800 | | B | so | 1 | PCE | SCREW 3MM 8MM DIN963 00 2182 B7 |
| 0520 | 55178320 | | B | so | 25 | PCE | SCREW-ST 3MM 12MM JIS B 1122 53 0 A4 |
| 0530 | 55255900 | | B | so | 4 | PCE | SCREW-ST 4MM 10MM SAM 53 0 A4 |
| 0540 | 55135460 | | B | so | 59 | PCE | SCREW-SPEC 3MM 10MM JIS 27 0 0 |

| | | | | | | | |
|------|----------|----|---|----|------|-----|--|
| 0550 | 55127090 | | B | so | 8 | PCE | SCREW-ST 4MM 8MM JIS B 1122 25 0 0 |
| 0560 | 55178420 | | B | ud | 2 | PCE | AC PRI LABEL RISK |
| 0570 | 55174780 | | B | so | 1 | PCE | AC PRI LABEL DATE |
| 0580 | 55247270 | | B | ud | 1 | PCE | AC PRI LABEL SERIAL AVR5500 |
| 0590 | 20253760 | | B | so | 0.1 | KG | SOLDER BAR 63SN/37PB BAR |
| 0600 | 20290240 | | B | so | 0.1 | KG | SOLDER ALPHA RELIA. II 60/40 SOLDER WIRE 1.27 MM |
| 0610 | 55060660 | | B | so | 0.08 | L | SOLDER-FLUX GW9810A-5 |
| 0620 | 20457000 | | B | so | 0.08 | KG | MAT-ING DOW CORNING 176 CATALYST |
| 0630 | 20289760 | | B | so | 0.06 | L | DILUTION THINNER 4520 100% ALCOHOL |
| 0640 | 20289870 | | B | so | 0.04 | KG | GLUE CEMENDINE 575 |
| 0650 | 20190880 | | B | so | 0.02 | KG | WAX ZOPHAR 1340 120 82C YE 0.906 |
| 0660 | 20290210 | | B | so | 0.09 | KG | SOLDER RELIACORE II 60/40 SOLDER WIRE 0.63 MM |
| 0670 | 20289720 | | B | so | 0.08 | KG | GLUE THREE BOND 1401C |
| 0680 | 55039910 | | B | so | 0.07 | KG | GLUE HOT MELT |
| 0690 | 20290110 | | B | so | 0.08 | KG | LUBRICANT HYCHEM/TC 609 |
| 0700 | 55178410 | | B | ud | 4 | PCE | AC BUFFER CUSHION |
| 0710 | 55178930 | | M | SO | 1 | PCE | AC PLASTIC MOLD REFRACTOR F WH |
| 0720 | 55178940 | | M | SO | 1 | PCE | AC PLASTIC MOLD REFRACTOR E WH |
| 0721 | 55177960 | | M | SO | 1 | PCE | AC NON-METAL DIFFUSER REFLECTOR C WH |
| 0730 | 55178440 | | M | SO | 1 | PCE | AC MLD HOLDER FL-GUIDE HIPS 94HB AVR520 |
| 0750 | 55261080 | | B | so | 10 | PCE | AC PLASTIC KNOB CORK SH08M790B0 BK |
| 0760 | 55262430 | | B | so | 1 | PCE | AC PUN BRACKET PROTECT |
| 0770 | 55184350 | | B | ud | 4 | PCE | SHRINK-PREF 50.0MM |
| 0780 | 55178960 | | B | so | 1 | PCE | AC SPRING PLATE SPRING GND C5212 0.2T AVR520 |
| 0790 | 20372500 | | B | so | 5 | PCE | WASHER 3.0MM 7.9MM 0.8MM N/A 00 0 0 |
| 0800 | 20932870 | | B | so | 2 | PCE | AC PRI LABEL QC CHECK CRKD1217(20 X 13MM) |
| 0810 | 20564850 | | B | so | 1 | M | TAPE-ADH ADHESIVE TAPE ANCHOR 303 0.2MM 12.0MM BK |
| 0820 | 55273330 | NR | B | so | 1 | PCE | WIRECONASY UNIQUE 2P 500MM UL1617 PVC DOUBLE INSULATED 20 1 |

PART NO : 55261780

TITEL : AC BOM PKG AVR5500

| Pos | Tocom# | Pkg | M/B | St | Qty | Unit | SName |
|------|----------|-----|-----|----|-----|------|--|
| 0080 | 55247310 | | B | ud | 1 | PCE | AC CARTON AVR5500 |
| 0090 | 55178720 | | B | ud | 1 | PCE | AC PRI LABEL CARD-POST |
| 0100 | 55178740 | | B | ud | 1 | PCE | AC PRI LABEL CARD-WARRANTY PAPE |
| 0120 | 55178610 | | B | ud | 2 | PCE | AC CPL ENDCAP CUSHION POLY 0.024 |
| 0140 | 55178620 | | B | so | 1 | PCE | AC PRI LABEL "PLEASE" AVR520 |
| 0150 | 55247290 | | B | ud | 1 | PCE | AC PRI LABEL BARCODE AVR5500 |
| 0160 | 55178770 | | B | so | 1 | PCE | AC PRI LABEL SAFETY LEAF |
| 0170 | 55164890 | | B | so | 1 | PCE | AC CPL BAG POLY PE T0.05 500MM X 300MM |
| 0180 | 55170660 | | B | ud | 1 | PCE | AC SHEET EPE DVD5 920MM X 1000MM |
| 0190 | 55247330 | | B | ud | 1 | PCE | AC BOOK INSTR AVR5500 |
| 0200 | 55182890 | NR | B | so | 5 | PCE | CONN-SPE JUMPER PLUG 2PIN ABS-NI MA 14MM 2 BK 0 A0 |
| 0210 | 20676090 | | B | so | 1 | PCE | AC CPL BAG PE 230MM X 120MM |
| 0220 | 20194780 | | B | so | 1 | PCE | CABLE-FIX CABLE-TIE THE FITMOS PLASTIC 0 0 |
| 0230 | 20357620 | | B | so | 1.5 | M | TAPE-ADH ROLL 3M #373 0.06MM 76MM TRA |
| 0240 | 20194840 | | B | so | 0.5 | M | TAPE-ADH ROLL 3M#610 0.11MM 12.7MM -- |
| 0250 | 55262330 | | B | ud | 1 | PCE | AC MSA ASY RMC CONTROLER AVR5500 |
| 0260 | 55178550 | | B | so | 1 | PCE | AC MSA ASY RMC CONTROLER ZONE AVR520 |

PART NO : 55182700

TITEL : AC EMBD IMA PROCESS BD AVR520

| Pos | Tocom# | Pkg | M/B | St | Qty | Unit | SName |
|-------|----------|-----|-----|----|-------|------|---|
| 020 | 55182710 | | M | SO | 1 | PCE | AC ESABD IAU PROCESS BD AVR520 |
| 030 | 55188930 | | X | ud | 1 | PCE | AC SCHEMATIC PROCESS BD AVR520 OEM |
| 040 | 20290150 | | B | so | 0.015 | KG | SOLDER BAR 52SN/45PB/3SB BAR |
| 041 | 15481260 | | B | so | 0.015 | L | SLDC FLUX LRES FOAM SM32DHT-2 |
| CN408 | 55125070 | | B | so | 1 | PCE | CONN 2.0MM 15 MA R NAT MOLEX 35237-1510 0 0 |
| CN409 | 55125070 | | B | so | 1 | PCE | CONN 2.0MM 15 MA R NAT MOLEX 35237-1510 0 0 |
| CN410 | 55125070 | | B | so | 1 | PCE | CONN 2.0MM 15 MA R NAT MOLEX 35237-1510 0 0 |
| CN411 | 55125070 | | B | so | 1 | PCE | CONN 2.0MM 15 MA R NAT MOLEX 35237-1510 0 0 |
| CP205 | 55123310 | | B | so | 1 | PCE | CONN 2.0MM 4 MA ST NAT LW2002P04 0 0 |
| CP206 | 55090050 | | B | so | 1 | PCE | CONN 2.0MM 10 MA ST NAT LW2002P10 0 0 |
| CP403 | 55090080 | | B | so | 1 | PCE | CONN 2.0MM 3 MA ST NAT LW2002P03 0 0 |
| CP404 | 55090060 | | B | so | 1 | PCE | CONN 2.0MM 7 MA ST NAT LW2002P07 0 0 |
| CP405 | 55090100 | | B | so | 1 | PCE | CONN 2.0MM 12 MA ST NAT LW2002P12 0 0 |
| IC701 | 55142750 | NR | B | so | 1 | PCE | IC-SWITCH TC9273N-007 DIP28 ANALOG SWITCH |
| IC702 | 55142750 | NR | B | so | 1 | PCE | IC-SWITCH TC9273N-007 DIP28 ANALOG SWITCH |
| JK701 | 55176350 | | B | so | 1 | PCE | CON PHONO SCKT RCA 6P JW-4105RSS W/GNDCAP |
| JK702 | 55176330 | | B | so | 1 | PCE | CON PHONO SCKT RCA 4P JW4104RS GND |
| JK703 | 55176330 | | B | so | 1 | PCE | CON PHONO SCKT RCA 4P JW4104RS GND |

PART NO : 55182710

TITEL : AC ESABD IAU PROCESS BD AVR520

| Pos | Tocom# | Pkg | M/B | St | Qty | Unit | SName |
|------|----------|-----|-----|----|-----|------|-----------------------------------|
| 020 | 55182720 | | M | SO | 1 | PCE | AC ESABD SMD PROCESS BD AVR520 |
| 021 | 55179540 | | B | ud | 1 | PCE | AC PCB PROCESS AVR520 DUAL LAYERS |
| C709 | 10121000 | 39 | B | so | 1 | PCE | CE 10U0F +20% 16.0V 85C |
| C710 | 20267830 | 30 | B | so | 1 | PCE | CE 47U0F +20% 16.0V 85C |
| C711 | 10121000 | 39 | B | so | 1 | PCE | CE 10U0F +20% 16.0V 85C |
| C714 | 10121000 | 39 | B | so | 1 | PCE | CE 10U0F +20% 16.0V 85C |
| C715 | 20267830 | 30 | B | so | 1 | PCE | CE 47U0F +20% 16.0V 85C |
| C716 | 10121000 | 39 | B | so | 1 | PCE | CE 10U0F +20% 16.0V 85C |
| C723 | 10121000 | 39 | B | so | 1 | PCE | CE 10U0F +20% 16.0V 85C |
| C724 | 20267830 | 30 | B | so | 1 | PCE | CE 47U0F +20% 16.0V 85C |
| C725 | 10121000 | 39 | B | so | 1 | PCE | CE 10U0F +20% 16.0V 85C |
| C728 | 10121000 | 39 | B | so | 1 | PCE | CE 10U0F +20% 16.0V 85C |
| C729 | 20267830 | 30 | B | so | 1 | PCE | CE 47U0F +20% 16.0V 85C |
| C730 | 10121000 | 39 | B | so | 1 | PCE | CE 10U0F +20% 16.0V 85C |
| C741 | 10121000 | 39 | B | so | 1 | PCE | CE 10U0F +20% 16.0V 85C |
| C742 | 20267830 | 30 | B | so | 1 | PCE | CE 47U0F +20% 16.0V 85C |
| C743 | 10121000 | 39 | B | so | 1 | PCE | CE 10U0F +20% 16.0V 85C |
| C744 | 10121000 | 39 | B | so | 1 | PCE | CE 10U0F +20% 16.0V 85C |
| C745 | 20267830 | 30 | B | so | 1 | PCE | CE 47U0F +20% 16.0V 85C |
| C746 | 10121000 | 39 | B | so | 1 | PCE | CE 10U0F +20% 16.0V 85C |
| C747 | 10121000 | 39 | B | so | 1 | PCE | CE 10U0F +20% 16.0V 85C |
| C749 | 20267830 | 30 | B | so | 1 | PCE | CE 47U0F +20% 16.0V 85C |
| C751 | 10121000 | 39 | B | so | 1 | PCE | CE 10U0F +20% 16.0V 85C |
| C752 | 10121000 | 39 | B | so | 1 | PCE | CE 10U0F +20% 16.0V 85C |
| C754 | 20267830 | 30 | B | so | 1 | PCE | CE 47U0F +20% 16.0V 85C |

| | | | | | | | |
|------|----------|----|---|----|---|-----|--|
| C832 | 10121000 | 39 | B | so | 1 | PCE | CE 10U0F +20% 16.0V 85C |
| C834 | 20267830 | 30 | B | so | 1 | PCE | CE 47U0F +20% 16.0V 85C |
| C836 | 10121000 | 39 | B | so | 1 | PCE | CE 10U0F +20% 16.0V 85C |
| C837 | 10121000 | 39 | B | so | 1 | PCE | CE 10U0F +20% 16.0V 85C |
| C839 | 20267830 | 30 | B | so | 1 | PCE | CE 47U0F +20% 16.0V 85C |
| C841 | 10121000 | 39 | B | so | 1 | PCE | CE 10U0F +20% 16.0V 85C |
| C842 | 10121000 | 39 | B | so | 1 | PCE | CE 10U0F +20% 16.0V 85C |
| C844 | 20267830 | 30 | B | so | 1 | PCE | CE 47U0F +20% 16.0V 85C |
| C846 | 10121000 | 39 | B | so | 1 | PCE | CE 10U0F +20% 16.0V 85C |
| C847 | 10121000 | 39 | B | so | 1 | PCE | CE 10U0F +20% 16.0V 85C |
| C849 | 20267830 | 30 | B | so | 1 | PCE | CE 47U0F +20% 16.0V 85C |
| C851 | 10121000 | 39 | B | so | 1 | PCE | CE 10U0F +20% 16.0V 85C |
| C852 | 10121000 | 39 | B | so | 1 | PCE | CE 10U0F +20% 16.0V 85C |
| C854 | 20267830 | 30 | B | so | 1 | PCE | CE 47U0F +20% 16.0V 85C |
| C856 | 10121000 | 39 | B | so | 1 | PCE | CE 10U0F +20% 16.0V 85C |
| C857 | 10121000 | 39 | B | so | 1 | PCE | CE 10U0F +20% 16.0V 85C |
| C859 | 20267830 | 30 | B | so | 1 | PCE | CE 47U0F +20% 16.0V 85C |
| C861 | 20269110 | 30 | B | so | 1 | PCE | CE 330U0F +20% 6.3V 85C |
| C862 | 10121000 | 39 | B | so | 1 | PCE | CE 10U0F +20% 16.0V 85C |
| C864 | 20267830 | 30 | B | so | 1 | PCE | CE 47U0F +20% 16.0V 85C |
| C866 | 20269110 | 30 | B | so | 1 | PCE | CE 330U0F +20% 6.3V 85C |
| C867 | 20267830 | 30 | B | so | 1 | PCE | CE 47U0F +20% 16.0V 85C |
| Q732 | 55112030 | 56 | B | so | 1 | PCE | TR-M FET RA/TAD 2SK117Y N 300MI0W 14MI0A |

PART NO : 55182720

TITEL : AC ESABD SMD PROCESS BD AVR520

| Pos | Tocom# | Pkg | M/B | St | Qty | Unit | SName |
|------|----------|-----|-----|----|-----|------|----------------------------------|
| C701 | 11058670 | 91 | B | so | 1 | PCE | CCCFMIN 100P0F +5% -5% 50.0V NP0 |
| C702 | 11058670 | 91 | B | so | 1 | PCE | CCCFMIN 100P0F +5% -5% 50.0V NP0 |
| C703 | 11058670 | 91 | B | so | 1 | PCE | CCCFMIN 100P0F +5% -5% 50.0V NP0 |
| C704 | 11058670 | 91 | B | so | 1 | PCE | CCCFMIN 100P0F +5% -5% 50.0V NP0 |
| C705 | 11058670 | 91 | B | so | 1 | PCE | CCCFMIN 100P0F +5% -5% 50.0V NP0 |
| C706 | 11058670 | 91 | B | so | 1 | PCE | CCCFMIN 100P0F +5% -5% 50.0V NP0 |
| C707 | 11058670 | 91 | B | so | 1 | PCE | CCCFMIN 100P0F +5% -5% 50.0V NP0 |
| C708 | 11058670 | 91 | B | so | 1 | PCE | CCCFMIN 100P0F +5% -5% 50.0V NP0 |
| C712 | 11058670 | 91 | B | so | 1 | PCE | CCCFMIN 100P0F +5% -5% 50.0V NP0 |
| C713 | 11058670 | 91 | B | so | 1 | PCE | CCCFMIN 100P0F +5% -5% 50.0V NP0 |
| C717 | 11058670 | 91 | B | so | 1 | PCE | CCCFMIN 100P0F +5% -5% 50.0V NP0 |
| C718 | 11058670 | 91 | B | so | 1 | PCE | CCCFMIN 100P0F +5% -5% 50.0V NP0 |
| C719 | 11058670 | 91 | B | so | 1 | PCE | CCCFMIN 100P0F +5% -5% 50.0V NP0 |
| C720 | 11058670 | 91 | B | so | 1 | PCE | CCCFMIN 100P0F +5% -5% 50.0V NP0 |
| C721 | 11058670 | 91 | B | so | 1 | PCE | CCCFMIN 100P0F +5% -5% 50.0V NP0 |
| C722 | 11058670 | 91 | B | so | 1 | PCE | CCCFMIN 100P0F +5% -5% 50.0V NP0 |
| C726 | 11058670 | 91 | B | so | 1 | PCE | CCCFMIN 100P0F +5% -5% 50.0V NP0 |
| C727 | 11058670 | 91 | B | so | 1 | PCE | CCCFMIN 100P0F +5% -5% 50.0V NP0 |
| C731 | 11058670 | 91 | B | so | 1 | PCE | CCCFMIN 100P0F +5% -5% 50.0V NP0 |
| C732 | 11058670 | 91 | B | so | 1 | PCE | CCCFMIN 100P0F +5% -5% 50.0V NP0 |
| C733 | 11058670 | 91 | B | so | 1 | PCE | CCCFMIN 100P0F +5% -5% 50.0V NP0 |
| C734 | 11058670 | 91 | B | so | 1 | PCE | CCCFMIN 100P0F +5% -5% 50.0V NP0 |
| C735 | 11058670 | 91 | B | so | 1 | PCE | CCCFMIN 100P0F +5% -5% 50.0V NP0 |
| C736 | 11058670 | 91 | B | so | 1 | PCE | CCCFMIN 100P0F +5% -5% 50.0V NP0 |

| | | | | | | | |
|-------|----------|----|---|----|---|-----|---|
| C737 | 11058670 | 91 | B | so | 1 | PCE | CCCFMIN 100P0F +5% -5% 50.0V NP0 |
| C738 | 11058670 | 91 | B | so | 1 | PCE | CCCFMIN 100P0F +5% -5% 50.0V NP0 |
| C739 | 11058670 | 91 | B | so | 1 | PCE | CCCFMIN 100P0F +5% -5% 50.0V NP0 |
| C740 | 11058670 | 91 | B | so | 1 | PCE | CCCFMIN 100P0F +5% -5% 50.0V NP0 |
| C750 | 50882360 | 91 | B | so | 1 | PCE | CCCFMIN 33P0F +5% -5% 50.0V NP0 |
| C755 | 50882360 | 91 | B | so | 1 | PCE | CCCFMIN 33P0F +5% -5% 50.0V NP0 |
| C759 | 11058670 | 91 | B | so | 1 | PCE | CCCFMIN 100P0F +5% -5% 50.0V NP0 |
| C762 | 11058670 | 91 | B | so | 1 | PCE | CCCFMIN 100P0F +5% -5% 50.0V NP0 |
| C763 | 11058670 | 91 | B | so | 1 | PCE | CCCFMIN 100P0F +5% -5% 50.0V NP0 |
| C767 | 11058670 | 91 | B | so | 1 | PCE | CCCFMIN 100P0F +5% -5% 50.0V NP0 |
| C772 | 11058670 | 91 | B | so | 1 | PCE | CCCFMIN 100P0F +5% -5% 50.0V NP0 |
| C775 | 11058670 | 91 | B | so | 1 | PCE | CCCFMIN 100P0F +5% -5% 50.0V NP0 |
| C793 | 11059330 | 91 | B | so | 1 | PCE | CCCFMIN 2N2F +10% -10% 50.0V X7R |
| C794 | 11059330 | 91 | B | so | 1 | PCE | CCCFMIN 2N2F +10% -10% 50.0V X7R |
| C812 | 50882360 | 91 | B | so | 1 | PCE | CCCFMIN 33P0F +5% -5% 50.0V NP0 |
| C817 | 50882360 | 91 | B | so | 1 | PCE | CCCFMIN 33P0F +5% -5% 50.0V NP0 |
| C820 | 11058670 | 91 | B | so | 1 | PCE | CCCFMIN 100P0F +5% -5% 50.0V NP0 |
| C824 | 11058670 | 91 | B | so | 1 | PCE | CCCFMIN 100P0F +5% -5% 50.0V NP0 |
| C828 | 11058670 | 91 | B | so | 1 | PCE | CCCFMIN 100P0F +5% -5% 50.0V NP0 |
| C830 | 50882360 | 91 | B | so | 1 | PCE | CCCFMIN 33P0F +5% -5% 50.0V NP0 |
| C833 | 11058670 | 91 | B | so | 1 | PCE | CCCFMIN 100P0F +5% -5% 50.0V NP0 |
| C835 | 50882360 | 91 | B | so | 1 | PCE | CCCFMIN 33P0F +5% -5% 50.0V NP0 |
| C840 | 50882360 | 91 | B | so | 1 | PCE | CCCFMIN 33P0F +5% -5% 50.0V NP0 |
| C845 | 50882360 | 91 | B | so | 1 | PCE | CCCFMIN 33P0F +5% -5% 50.0V NP0 |
| C848 | 11058670 | 91 | B | so | 1 | PCE | CCCFMIN 100P0F +5% -5% 50.0V NP0 |
| C850 | 11059330 | 91 | B | so | 1 | PCE | CCCFMIN 2N2F +10% -10% 50.0V X7R |
| C855 | 50882360 | 91 | B | so | 1 | PCE | CCCFMIN 33P0F +5% -5% 50.0V NP0 |
| C858 | 80436820 | 91 | B | so | 1 | PCE | CCCFMIN 680P0F +10% -10% 50.0V X7R |
| C860 | 80436820 | 91 | B | so | 1 | PCE | CCCFMIN 680P0F +10% -10% 50.0V X7R |
| C863 | 80436820 | 91 | B | so | 1 | PCE | CCCFMIN 680P0F +10% -10% 50.0V X7R |
| C865 | 80436820 | 91 | B | so | 1 | PCE | CCCFMIN 680P0F +10% -10% 50.0V X7R |
| C868 | 11058670 | 91 | B | so | 1 | PCE | CCCFMIN 100P0F +5% -5% 50.0V NP0 |
| C869 | 11058670 | 91 | B | so | 1 | PCE | CCCFMIN 100P0F +5% -5% 50.0V NP0 |
| C870 | 11058670 | 91 | B | so | 1 | PCE | CCCFMIN 100P0F +5% -5% 50.0V NP0 |
| C871 | 11058670 | 91 | B | so | 1 | PCE | CCCFMIN 100P0F +5% -5% 50.0V NP0 |
| IC703 | 55142720 | NR | B | so | 1 | PCE | IC-LOWFREQ KIC9459F SOP24 TONE/VOL/BAL/MUTE |
| IC704 | 55142710 | NR | B | so | 1 | PCE | IC-SWITCH KIC9162AF ANALOG SWITCH |
| IC705 | 55142680 | NR | B | so | 1 | PCE | IC-SWITCH KIC9163AF ANALOG SWITCH |
| IC706 | 55179480 | NR | B | so | 1 | PCE | IC-LOWFREQ TC9482F SOP28 TONE/VOL/BAL/MUTE |
| IC707 | 55142610 | NR | B | so | 1 | PCE | IC-OPERAMP NJM2068M DUAL OP |
| IC708 | 55142610 | NR | B | so | 1 | PCE | IC-OPERAMP NJM2068M DUAL OP |
| IC709 | 55142610 | NR | B | so | 1 | PCE | IC-OPERAMP NJM2068M DUAL OP |
| IC710 | 55142610 | NR | B | so | 1 | PCE | IC-OPERAMP NJM2068M DUAL OP |
| IC711 | 55142610 | NR | B | so | 1 | PCE | IC-OPERAMP NJM2068M DUAL OP |
| IC712 | 55142610 | NR | B | so | 1 | PCE | IC-OPERAMP NJM2068M DUAL OP |
| IC713 | 55142610 | NR | B | so | 1 | PCE | IC-OPERAMP NJM2068M DUAL OP |
| IC714 | 55142610 | NR | B | so | 1 | PCE | IC-OPERAMP NJM2068M DUAL OP |
| IC715 | 55142610 | NR | B | so | 1 | PCE | IC-OPERAMP NJM2068M DUAL OP |
| IC716 | 55142610 | NR | B | so | 1 | PCE | IC-OPERAMP NJM2068M DUAL OP |
| IC717 | 55142610 | NR | B | so | 1 | PCE | IC-OPERAMP NJM2068M DUAL OP |
| IC718 | 55142610 | NR | B | so | 1 | PCE | IC-OPERAMP NJM2068M DUAL OP |
| IC719 | 55164460 | NR | B | so | 1 | PCE | IC-OPERAMP NJM4556AM DUAL OP |
| IC720 | 55142610 | NR | B | so | 1 | PCE | IC-OPERAMP NJM2068M DUAL OP |

| | | | | | | | |
|-------|----------|----|---|----|---|-----|--------------------------------------|
| IC721 | 55142610 | NR | B | so | 1 | PCE | IC-OPERAMP NJM2068M DUAL OP |
| IC722 | 55142610 | NR | B | so | 1 | PCE | IC-OPERAMP NJM2068M DUAL OP |
| Q701 | 55138710 | 92 | B | so | 1 | PCE | TR-SLPSWA KTD1304 N 20V 300MIOA |
| Q702 | 55138710 | 92 | B | so | 1 | PCE | TR-SLPSWA KTD1304 N 20V 300MIOA |
| Q703 | 55051260 | 92 | B | so | 0 | PCE | TR-SSD KRA107S P 10K0 OHM 47K0 OHM |
| Q703 | 55133190 | 92 | B | so | 1 | PCE | TR-SSD DTA114YKA P 10K0 OHM 47K0 OHM |
| Q704 | 55138710 | 92 | B | so | 1 | PCE | TR-SLPSWA KTD1304 N 20V 300MIOA |
| Q705 | 55138710 | 92 | B | so | 1 | PCE | TR-SLPSWA KTD1304 N 20V 300MIOA |
| Q706 | 55051260 | 92 | B | so | 0 | PCE | TR-SSD KRA107S P 10K0 OHM 47K0 OHM |
| Q706 | 55133190 | 92 | B | so | 1 | PCE | TR-SSD DTA114YKA P 10K0 OHM 47K0 OHM |
| Q707 | 55051260 | 92 | B | so | 0 | PCE | TR-SSD KRA107S P 10K0 OHM 47K0 OHM |
| Q707 | 55133190 | 92 | B | so | 1 | PCE | TR-SSD DTA114YKA P 10K0 OHM 47K0 OHM |
| Q708 | 55138710 | 92 | B | so | 1 | PCE | TR-SLPSWA KTD1304 N 20V 300MIOA |
| Q709 | 55138710 | 92 | B | so | 1 | PCE | TR-SLPSWA KTD1304 N 20V 300MIOA |
| Q710 | 55138710 | 92 | B | so | 1 | PCE | TR-SLPSWA KTD1304 N 20V 300MIOA |
| Q711 | 55138710 | 92 | B | so | 1 | PCE | TR-SLPSWA KTD1304 N 20V 300MIOA |
| Q712 | 55051260 | 92 | B | so | 0 | PCE | TR-SSD KRA107S P 10K0 OHM 47K0 OHM |
| Q712 | 55133190 | 92 | B | so | 1 | PCE | TR-SSD DTA114YKA P 10K0 OHM 47K0 OHM |
| Q713 | 55138710 | 92 | B | so | 1 | PCE | TR-SLPSWA KTD1304 N 20V 300MIOA |
| Q714 | 55138710 | 92 | B | so | 1 | PCE | TR-SLPSWA KTD1304 N 20V 300MIOA |
| Q715 | 55051260 | 92 | B | so | 0 | PCE | TR-SSD KRA107S P 10K0 OHM 47K0 OHM |
| Q715 | 55133190 | 92 | B | so | 1 | PCE | TR-SSD DTA114YKA P 10K0 OHM 47K0 OHM |
| Q716 | 55138710 | 92 | B | so | 1 | PCE | TR-SLPSWA KTD1304 N 20V 300MIOA |
| Q717 | 55138710 | 92 | B | so | 1 | PCE | TR-SLPSWA KTD1304 N 20V 300MIOA |
| Q718 | 55051260 | 92 | B | so | 0 | PCE | TR-SSD KRA107S P 10K0 OHM 47K0 OHM |
| Q718 | 55133190 | 92 | B | so | 1 | PCE | TR-SSD DTA114YKA P 10K0 OHM 47K0 OHM |
| Q719 | 55138710 | 92 | B | so | 1 | PCE | TR-SLPSWA KTD1304 N 20V 300MIOA |
| Q720 | 55138710 | 92 | B | so | 1 | PCE | TR-SLPSWA KTD1304 N 20V 300MIOA |
| Q721 | 55051260 | 92 | B | so | 0 | PCE | TR-SSD KRA107S P 10K0 OHM 47K0 OHM |
| Q721 | 55133190 | 92 | B | so | 1 | PCE | TR-SSD DTA114YKA P 10K0 OHM 47K0 OHM |
| Q722 | 55138710 | 92 | B | so | 1 | PCE | TR-SLPSWA KTD1304 N 20V 300MIOA |
| Q723 | 55138710 | 92 | B | so | 1 | PCE | TR-SLPSWA KTD1304 N 20V 300MIOA |
| Q724 | 55051260 | 92 | B | so | 0 | PCE | TR-SSD KRA107S P 10K0 OHM 47K0 OHM |
| Q724 | 55133190 | 92 | B | so | 1 | PCE | TR-SSD DTA114YKA P 10K0 OHM 47K0 OHM |
| Q725 | 55051260 | 92 | B | so | 0 | PCE | TR-SSD KRA107S P 10K0 OHM 47K0 OHM |
| Q725 | 55133190 | 92 | B | so | 1 | PCE | TR-SSD DTA114YKA P 10K0 OHM 47K0 OHM |
| Q727 | 55138710 | 92 | B | so | 1 | PCE | TR-SLPSWA KTD1304 N 20V 300MIOA |
| Q729 | 55138710 | 92 | B | so | 1 | PCE | TR-SLPSWA KTD1304 N 20V 300MIOA |
| Q730 | 55051260 | 92 | B | so | 0 | PCE | TR-SSD KRA107S P 10K0 OHM 47K0 OHM |
| Q730 | 55133190 | 92 | B | so | 1 | PCE | TR-SSD DTA114YKA P 10K0 OHM 47K0 OHM |
| Q731 | 55051240 | 92 | B | so | 0 | PCE | TR-SSD KRC107S N 10K0 OHM 47K0 OHM |
| Q731 | 55133180 | 92 | B | so | 1 | PCE | TR-SSD DTC114YKA N 10K0 OHM 47K0 OHM |
| Q733 | 55051260 | 92 | B | so | 0 | PCE | TR-SSD KRA107S P 10K0 OHM 47K0 OHM |
| Q733 | 55133190 | 92 | B | so | 1 | PCE | TR-SSD DTA114YKA P 10K0 OHM 47K0 OHM |
| Q734 | 55051240 | 92 | B | so | 0 | PCE | TR-SSD KRC107S N 10K0 OHM 47K0 OHM |
| Q734 | 55133180 | 92 | B | so | 1 | PCE | TR-SSD DTC114YKA N 10K0 OHM 47K0 OHM |
| Q735 | 55051260 | 92 | B | so | 0 | PCE | TR-SSD KRA107S P 10K0 OHM 47K0 OHM |
| Q735 | 55133190 | 92 | B | so | 1 | PCE | TR-SSD DTA114YKA P 10K0 OHM 47K0 OHM |
| Q736 | 55051260 | 92 | B | so | 0 | PCE | TR-SSD KRA107S P 10K0 OHM 47K0 OHM |
| Q736 | 55133190 | 92 | B | so | 1 | PCE | TR-SSD DTA114YKA P 10K0 OHM 47K0 OHM |
| R701 | 90574400 | 91 | B | so | 1 | PCE | RMGCFMIN 470R0 OHM +5% 100MIOW |
| R702 | 40438350 | 91 | B | so | 1 | PCE | RMGCFMIN 470K0 OHM +5% 100MIOW |
| R703 | 90574400 | 91 | B | so | 1 | PCE | RMGCFMIN 470R0 OHM +5% 100MIOW |

| | | | | | | | |
|------|----------|----|---|----|---|-----|--------------------------------|
| R704 | 40438350 | 91 | B | so | 1 | PCE | RMGCFMIN 470K0 OHM +5% 100MIOW |
| R705 | 90574400 | 91 | B | so | 1 | PCE | RMGCFMIN 470R0 OHM +5% 100MIOW |
| R706 | 40438350 | 91 | B | so | 1 | PCE | RMGCFMIN 470K0 OHM +5% 100MIOW |
| R707 | 90574400 | 91 | B | so | 1 | PCE | RMGCFMIN 470R0 OHM +5% 100MIOW |
| R708 | 40438350 | 91 | B | so | 1 | PCE | RMGCFMIN 470K0 OHM +5% 100MIOW |
| R709 | 70434200 | 91 | B | so | 1 | PCE | RMGCFMIN 100R0 OHM +5% 100MIOW |
| R710 | 90574400 | 91 | B | so | 1 | PCE | RMGCFMIN 470R0 OHM +5% 100MIOW |
| R711 | 20472020 | 91 | B | so | 1 | PCE | RMGCFMIN 180K0 OHM +5% 100MIOW |
| R712 | 50886630 | 91 | B | so | 1 | PCE | RMGCFMIN 100K0 OHM +5% 100MIOW |
| R713 | 20471950 | 91 | B | so | 1 | PCE | RMGCFMIN 1K0 OHM +5% 100MIOW |
| R714 | 90574400 | 91 | B | so | 1 | PCE | RMGCFMIN 470R0 OHM +5% 100MIOW |
| R715 | 20472020 | 91 | B | so | 1 | PCE | RMGCFMIN 180K0 OHM +5% 100MIOW |
| R716 | 50886630 | 91 | B | so | 1 | PCE | RMGCFMIN 100K0 OHM +5% 100MIOW |
| R717 | 20471950 | 91 | B | so | 1 | PCE | RMGCFMIN 1K0 OHM +5% 100MIOW |
| R718 | 70434200 | 91 | B | so | 1 | PCE | RMGCFMIN 100R0 OHM +5% 100MIOW |
| R719 | 80440390 | 91 | B | so | 1 | PCE | RMGCFMIN 2K2 OHM +5% 100MIOW |
| R720 | 80440390 | 91 | B | so | 1 | PCE | RMGCFMIN 2K2 OHM +5% 100MIOW |
| R721 | 90574400 | 91 | B | so | 1 | PCE | RMGCFMIN 470R0 OHM +5% 100MIOW |
| R722 | 40438350 | 91 | B | so | 1 | PCE | RMGCFMIN 470K0 OHM +5% 100MIOW |
| R723 | 90574400 | 91 | B | so | 1 | PCE | RMGCFMIN 470R0 OHM +5% 100MIOW |
| R724 | 40438350 | 91 | B | so | 1 | PCE | RMGCFMIN 470K0 OHM +5% 100MIOW |
| R725 | 80440390 | 91 | B | so | 1 | PCE | RMGCFMIN 2K2 OHM +5% 100MIOW |
| R726 | 80440390 | 91 | B | so | 1 | PCE | RMGCFMIN 2K2 OHM +5% 100MIOW |
| R727 | 70434200 | 91 | B | so | 1 | PCE | RMGCFMIN 100R0 OHM +5% 100MIOW |
| R728 | 90574400 | 91 | B | so | 1 | PCE | RMGCFMIN 470R0 OHM +5% 100MIOW |
| R729 | 20472020 | 91 | B | so | 1 | PCE | RMGCFMIN 180K0 OHM +5% 100MIOW |
| R730 | 50886630 | 91 | B | so | 1 | PCE | RMGCFMIN 100K0 OHM +5% 100MIOW |
| R731 | 20471950 | 91 | B | so | 1 | PCE | RMGCFMIN 1K0 OHM +5% 100MIOW |
| R732 | 90574400 | 91 | B | so | 1 | PCE | RMGCFMIN 470R0 OHM +5% 100MIOW |
| R733 | 20472020 | 91 | B | so | 1 | PCE | RMGCFMIN 180K0 OHM +5% 100MIOW |
| R734 | 50886630 | 91 | B | so | 1 | PCE | RMGCFMIN 100K0 OHM +5% 100MIOW |
| R735 | 20471950 | 91 | B | so | 1 | PCE | RMGCFMIN 1K0 OHM +5% 100MIOW |
| R736 | 70434200 | 91 | B | so | 1 | PCE | RMGCFMIN 100R0 OHM +5% 100MIOW |
| R737 | 90574400 | 91 | B | so | 1 | PCE | RMGCFMIN 470R0 OHM +5% 100MIOW |
| R738 | 40438350 | 91 | B | so | 1 | PCE | RMGCFMIN 470K0 OHM +5% 100MIOW |
| R739 | 90574400 | 91 | B | so | 1 | PCE | RMGCFMIN 470R0 OHM +5% 100MIOW |
| R740 | 40438350 | 91 | B | so | 1 | PCE | RMGCFMIN 470K0 OHM +5% 100MIOW |
| R741 | 90574400 | 91 | B | so | 1 | PCE | RMGCFMIN 470R0 OHM +5% 100MIOW |
| R742 | 40438350 | 91 | B | so | 1 | PCE | RMGCFMIN 470K0 OHM +5% 100MIOW |
| R743 | 90574400 | 91 | B | so | 1 | PCE | RMGCFMIN 470R0 OHM +5% 100MIOW |
| R744 | 40438350 | 91 | B | so | 1 | PCE | RMGCFMIN 470K0 OHM +5% 100MIOW |
| R745 | 70434200 | 91 | B | so | 1 | PCE | RMGCFMIN 100R0 OHM +5% 100MIOW |
| R746 | 90574400 | 91 | B | so | 1 | PCE | RMGCFMIN 470R0 OHM +5% 100MIOW |
| R747 | 11066480 | 91 | B | so | 1 | PCE | RMGCFMIN 47K0 OHM +5% 100MIOW |
| R748 | 50886630 | 91 | B | so | 1 | PCE | RMGCFMIN 100K0 OHM +5% 100MIOW |
| R749 | 90574400 | 91 | B | so | 1 | PCE | RMGCFMIN 470R0 OHM +5% 100MIOW |
| R750 | 11066480 | 91 | B | so | 1 | PCE | RMGCFMIN 47K0 OHM +5% 100MIOW |
| R751 | 50886630 | 91 | B | so | 1 | PCE | RMGCFMIN 100K0 OHM +5% 100MIOW |
| R752 | 70434200 | 91 | B | so | 1 | PCE | RMGCFMIN 100R0 OHM +5% 100MIOW |
| R753 | 70434200 | 91 | B | so | 1 | PCE | RMGCFMIN 100R0 OHM +5% 100MIOW |
| R754 | 90574400 | 91 | B | so | 1 | PCE | RMGCFMIN 470R0 OHM +5% 100MIOW |
| R756 | 50886630 | 91 | B | so | 1 | PCE | RMGCFMIN 100K0 OHM +5% 100MIOW |
| R757 | 20471950 | 91 | B | so | 1 | PCE | RMGCFMIN 1K0 OHM +5% 100MIOW |

| | | | | | | | |
|------|----------|----|---|----|---|-----|--------------------------------|
| R758 | 50886600 | 91 | B | so | 1 | PCE | RMGCFMIN 5K1 OHM +5% 100MIOW |
| R759 | 50886630 | 91 | B | so | 1 | PCE | RMGCFMIN 100K0 OHM +5% 100MIOW |
| R760 | 90574400 | 91 | B | so | 1 | PCE | RMGCFMIN 470R0 OHM +5% 100MIOW |
| R761 | 50886630 | 91 | B | so | 1 | PCE | RMGCFMIN 100K0 OHM +5% 100MIOW |
| R762 | 20471950 | 91 | B | so | 1 | PCE | RMGCFMIN 1K0 OHM +5% 100MIOW |
| R763 | 50886600 | 91 | B | so | 1 | PCE | RMGCFMIN 5K1 OHM +5% 100MIOW |
| R764 | 50886630 | 91 | B | so | 1 | PCE | RMGCFMIN 100K0 OHM +5% 100MIOW |
| R765 | 70434200 | 91 | B | so | 1 | PCE | RMGCFMIN 100R0 OHM +5% 100MIOW |
| R766 | 80440390 | 91 | B | so | 1 | PCE | RMGCFMIN 2K2 OHM +5% 100MIOW |
| R767 | 80440390 | 91 | B | so | 1 | PCE | RMGCFMIN 2K2 OHM +5% 100MIOW |
| R768 | 20471950 | 91 | B | so | 1 | PCE | RMGCFMIN 1K0 OHM +5% 100MIOW |
| R769 | 20471950 | 91 | B | so | 1 | PCE | RMGCFMIN 1K0 OHM +5% 100MIOW |
| R770 | 70434200 | 91 | B | so | 1 | PCE | RMGCFMIN 100R0 OHM +5% 100MIOW |
| R771 | 90574400 | 91 | B | so | 1 | PCE | RMGCFMIN 470R0 OHM +5% 100MIOW |
| R772 | 40438350 | 91 | B | so | 1 | PCE | RMGCFMIN 470K0 OHM +5% 100MIOW |
| R773 | 50886630 | 91 | B | so | 1 | PCE | RMGCFMIN 100K0 OHM +5% 100MIOW |
| R774 | 90574400 | 91 | B | so | 1 | PCE | RMGCFMIN 470R0 OHM +5% 100MIOW |
| R775 | 40438350 | 91 | B | so | 1 | PCE | RMGCFMIN 470K0 OHM +5% 100MIOW |
| R776 | 50886630 | 91 | B | so | 1 | PCE | RMGCFMIN 100K0 OHM +5% 100MIOW |
| R778 | 70434200 | 91 | B | so | 1 | PCE | RMGCFMIN 100R0 OHM +5% 100MIOW |
| R779 | 80440390 | 91 | B | so | 1 | PCE | RMGCFMIN 2K2 OHM +5% 100MIOW |
| R780 | 80440390 | 91 | B | so | 1 | PCE | RMGCFMIN 2K2 OHM +5% 100MIOW |
| R781 | 70434200 | 91 | B | so | 1 | PCE | RMGCFMIN 100R0 OHM +5% 100MIOW |
| R782 | 70434200 | 91 | B | so | 1 | PCE | RMGCFMIN 100R0 OHM +5% 100MIOW |
| R783 | 20471950 | 91 | B | so | 1 | PCE | RMGCFMIN 1K0 OHM +5% 100MIOW |
| R784 | 20471950 | 91 | B | so | 1 | PCE | RMGCFMIN 1K0 OHM +5% 100MIOW |
| R785 | 20471950 | 91 | B | so | 1 | PCE | RMGCFMIN 1K0 OHM +5% 100MIOW |
| R786 | 20471950 | 91 | B | so | 1 | PCE | RMGCFMIN 1K0 OHM +5% 100MIOW |
| R787 | 20471950 | 91 | B | so | 1 | PCE | RMGCFMIN 1K0 OHM +5% 100MIOW |
| R788 | 20471950 | 91 | B | so | 1 | PCE | RMGCFMIN 1K0 OHM +5% 100MIOW |
| R789 | 70434200 | 91 | B | so | 1 | PCE | RMGCFMIN 100R0 OHM +5% 100MIOW |
| R790 | 70434200 | 91 | B | so | 1 | PCE | RMGCFMIN 100R0 OHM +5% 100MIOW |
| R791 | 70434200 | 91 | B | so | 1 | PCE | RMGCFMIN 100R0 OHM +5% 100MIOW |
| R792 | 70434200 | 91 | B | so | 1 | PCE | RMGCFMIN 100R0 OHM +5% 100MIOW |
| R793 | 20471950 | 91 | B | so | 1 | PCE | RMGCFMIN 1K0 OHM +5% 100MIOW |
| R794 | 20471950 | 91 | B | so | 1 | PCE | RMGCFMIN 1K0 OHM +5% 100MIOW |
| R795 | 20471950 | 91 | B | so | 1 | PCE | RMGCFMIN 1K0 OHM +5% 100MIOW |
| R796 | 20471950 | 91 | B | so | 1 | PCE | RMGCFMIN 1K0 OHM +5% 100MIOW |
| R797 | 20471950 | 91 | B | so | 1 | PCE | RMGCFMIN 1K0 OHM +5% 100MIOW |
| R798 | 20471950 | 91 | B | so | 1 | PCE | RMGCFMIN 1K0 OHM +5% 100MIOW |
| R799 | 70434200 | 91 | B | so | 1 | PCE | RMGCFMIN 100R0 OHM +5% 100MIOW |
| R800 | 70434200 | 91 | B | so | 1 | PCE | RMGCFMIN 100R0 OHM +5% 100MIOW |
| R801 | 70434200 | 91 | B | so | 1 | PCE | RMGCFMIN 100R0 OHM +5% 100MIOW |
| R802 | 70434200 | 91 | B | so | 1 | PCE | RMGCFMIN 100R0 OHM +5% 100MIOW |
| R803 | 20471950 | 91 | B | so | 1 | PCE | RMGCFMIN 1K0 OHM +5% 100MIOW |
| R804 | 20471950 | 91 | B | so | 1 | PCE | RMGCFMIN 1K0 OHM +5% 100MIOW |
| R805 | 20471950 | 91 | B | so | 1 | PCE | RMGCFMIN 1K0 OHM +5% 100MIOW |
| R806 | 70434200 | 91 | B | so | 1 | PCE | RMGCFMIN 100R0 OHM +5% 100MIOW |
| R807 | 70434200 | 91 | B | so | 1 | PCE | RMGCFMIN 100R0 OHM +5% 100MIOW |
| R808 | 20471950 | 91 | B | so | 1 | PCE | RMGCFMIN 1K0 OHM +5% 100MIOW |
| R809 | 20471950 | 91 | B | so | 1 | PCE | RMGCFMIN 1K0 OHM +5% 100MIOW |
| R810 | 20471950 | 91 | B | so | 1 | PCE | RMGCFMIN 1K0 OHM +5% 100MIOW |
| R811 | 70434200 | 91 | B | so | 1 | PCE | RMGCFMIN 100R0 OHM +5% 100MIOW |

| | | | | | | | |
|------|----------|----|---|----|---|-----|--------------------------------|
| R812 | 90574400 | 91 | B | so | 1 | PCE | RMGCFMIN 470R0 OHM +5% 100MIOW |
| R813 | 20472020 | 91 | B | so | 1 | PCE | RMGCFMIN 180K0 OHM +5% 100MIOW |
| R814 | 50886630 | 91 | B | so | 1 | PCE | RMGCFMIN 100K0 OHM +5% 100MIOW |
| R815 | 20471950 | 91 | B | so | 1 | PCE | RMGCFMIN 1K0 OHM +5% 100MIOW |
| R816 | 90574400 | 91 | B | so | 1 | PCE | RMGCFMIN 470R0 OHM +5% 100MIOW |
| R817 | 20472020 | 91 | B | so | 1 | PCE | RMGCFMIN 180K0 OHM +5% 100MIOW |
| R818 | 50886630 | 91 | B | so | 1 | PCE | RMGCFMIN 100K0 OHM +5% 100MIOW |
| R819 | 20471950 | 91 | B | so | 1 | PCE | RMGCFMIN 1K0 OHM +5% 100MIOW |
| R820 | 70434200 | 91 | B | so | 1 | PCE | RMGCFMIN 100R0 OHM +5% 100MIOW |
| R821 | 80440390 | 91 | B | so | 1 | PCE | RMGCFMIN 2K2 OHM +5% 100MIOW |
| R822 | 80440390 | 91 | B | so | 1 | PCE | RMGCFMIN 2K2 OHM +5% 100MIOW |
| R823 | 30944340 | 91 | B | so | 1 | PCE | RMGCFMIN 27K0 OHM +5% 100MIOW |
| R830 | 11066480 | 91 | B | so | 1 | PCE | RMGCFMIN 47K0 OHM +5% 100MIOW |
| R831 | 90574400 | 91 | B | so | 1 | PCE | RMGCFMIN 470R0 OHM +5% 100MIOW |
| R832 | 50886630 | 91 | B | so | 1 | PCE | RMGCFMIN 100K0 OHM +5% 100MIOW |
| R833 | 80440390 | 91 | B | so | 1 | PCE | RMGCFMIN 2K2 OHM +5% 100MIOW |
| R834 | 80440400 | 91 | B | so | 1 | PCE | RMGCFMIN 5K6 OHM +5% 100MIOW |
| R835 | 50886630 | 91 | B | so | 1 | PCE | RMGCFMIN 100K0 OHM +5% 100MIOW |
| R836 | 70434200 | 91 | B | so | 1 | PCE | RMGCFMIN 100R0 OHM +5% 100MIOW |
| R837 | 70434200 | 91 | B | so | 1 | PCE | RMGCFMIN 100R0 OHM +5% 100MIOW |
| R838 | 80440480 | 91 | B | so | 1 | PCE | RMGCFMIN 3M3 OHM +5% 100MIOW |
| R839 | 70434200 | 91 | B | so | 1 | PCE | RMGCFMIN 100R0 OHM +5% 100MIOW |
| R840 | 70434200 | 91 | B | so | 1 | PCE | RMGCFMIN 100R0 OHM +5% 100MIOW |
| R841 | 50886630 | 91 | B | so | 1 | PCE | RMGCFMIN 100K0 OHM +5% 100MIOW |
| R842 | 20471990 | 91 | B | so | 1 | PCE | RMGCFMIN 12K0 OHM +5% 100MIOW |
| R843 | 20471990 | 91 | B | so | 1 | PCE | RMGCFMIN 12K0 OHM +5% 100MIOW |
| R844 | 20471990 | 91 | B | so | 1 | PCE | RMGCFMIN 12K0 OHM +5% 100MIOW |
| R845 | 11066440 | 91 | B | so | 1 | PCE | RMGCFMIN 3K3 OHM +5% 100MIOW |
| R846 | 11066440 | 91 | B | so | 1 | PCE | RMGCFMIN 3K3 OHM +5% 100MIOW |
| R847 | 50886630 | 91 | B | so | 1 | PCE | RMGCFMIN 100K0 OHM +5% 100MIOW |
| R848 | 20471990 | 91 | B | so | 1 | PCE | RMGCFMIN 12K0 OHM +5% 100MIOW |
| R849 | 20471990 | 91 | B | so | 1 | PCE | RMGCFMIN 12K0 OHM +5% 100MIOW |
| R850 | 20471990 | 91 | B | so | 1 | PCE | RMGCFMIN 12K0 OHM +5% 100MIOW |
| R851 | 11066440 | 91 | B | so | 1 | PCE | RMGCFMIN 3K3 OHM +5% 100MIOW |
| R852 | 11066440 | 91 | B | so | 1 | PCE | RMGCFMIN 3K3 OHM +5% 100MIOW |
| R853 | 50886630 | 91 | B | so | 1 | PCE | RMGCFMIN 100K0 OHM +5% 100MIOW |
| R854 | 80440390 | 91 | B | so | 1 | PCE | RMGCFMIN 2K2 OHM +5% 100MIOW |
| R855 | 80440390 | 91 | B | so | 1 | PCE | RMGCFMIN 2K2 OHM +5% 100MIOW |
| R856 | 80440390 | 91 | B | so | 1 | PCE | RMGCFMIN 2K2 OHM +5% 100MIOW |
| R857 | 80440390 | 91 | B | so | 1 | PCE | RMGCFMIN 2K2 OHM +5% 100MIOW |
| R858 | 80440390 | 91 | B | so | 1 | PCE | RMGCFMIN 2K2 OHM +5% 100MIOW |
| R859 | 80440390 | 91 | B | so | 1 | PCE | RMGCFMIN 2K2 OHM +5% 100MIOW |
| R860 | 30944320 | 91 | B | so | 1 | PCE | RMGCFMIN 9K1 OHM +5% 100MIOW |
| R861 | 90574430 | 91 | B | so | 1 | PCE | RMGCFMIN 18K0 OHM +5% 100MIOW |
| R862 | 90574430 | 91 | B | so | 1 | PCE | RMGCFMIN 18K0 OHM +5% 100MIOW |
| R863 | 90574430 | 91 | B | so | 1 | PCE | RMGCFMIN 18K0 OHM +5% 100MIOW |
| R864 | 20471920 | 91 | B | so | 1 | PCE | RMGCFMIN 220R0 OHM +5% 100MIOW |
| R865 | 80440390 | 91 | B | so | 1 | PCE | RMGCFMIN 2K2 OHM +5% 100MIOW |
| R866 | 80440390 | 91 | B | so | 1 | PCE | RMGCFMIN 2K2 OHM +5% 100MIOW |
| R867 | 70434200 | 91 | B | so | 1 | PCE | RMGCFMIN 100R0 OHM +5% 100MIOW |
| R868 | 70434200 | 91 | B | so | 1 | PCE | RMGCFMIN 100R0 OHM +5% 100MIOW |
| R869 | 70434200 | 91 | B | so | 1 | PCE | RMGCFMIN 100R0 OHM +5% 100MIOW |
| R870 | 70434200 | 91 | B | so | 1 | PCE | RMGCFMIN 100R0 OHM +5% 100MIOW |

| | | | | | | | |
|------|----------|----|---|----|---|-----|--------------------------------|
| R871 | 70434200 | 91 | B | so | 1 | PCE | RMGCFMIN 100R0 OHM +5% 100MIOW |
| R872 | 70434200 | 91 | B | so | 1 | PCE | RMGCFMIN 100R0 OHM +5% 100MIOW |
| R873 | 70434200 | 91 | B | so | 1 | PCE | RMGCFMIN 100R0 OHM +5% 100MIOW |
| R874 | 70434200 | 91 | B | so | 1 | PCE | RMGCFMIN 100R0 OHM +5% 100MIOW |
| R875 | 70434200 | 91 | B | so | 1 | PCE | RMGCFMIN 100R0 OHM +5% 100MIOW |
| R876 | 70434200 | 91 | B | so | 1 | PCE | RMGCFMIN 100R0 OHM +5% 100MIOW |
| R878 | 70434200 | 91 | B | so | 1 | PCE | RMGCFMIN 100R0 OHM +5% 100MIOW |
| R879 | 70434200 | 91 | B | so | 1 | PCE | RMGCFMIN 100R0 OHM +5% 100MIOW |
| R880 | 70434200 | 91 | B | so | 1 | PCE | RMGCFMIN 100R0 OHM +5% 100MIOW |
| R881 | 70434200 | 91 | B | so | 1 | PCE | RMGCFMIN 100R0 OHM +5% 100MIOW |
| R882 | 90574400 | 91 | B | so | 1 | PCE | RMGCFMIN 470R0 OHM +5% 100MIOW |
| R883 | 20472020 | 91 | B | so | 1 | PCE | RMGCFMIN 180K0 OHM +5% 100MIOW |
| R884 | 50886630 | 91 | B | so | 1 | PCE | RMGCFMIN 100K0 OHM +5% 100MIOW |
| R885 | 90574400 | 91 | B | so | 1 | PCE | RMGCFMIN 470R0 OHM +5% 100MIOW |
| R886 | 20472020 | 91 | B | so | 1 | PCE | RMGCFMIN 180K0 OHM +5% 100MIOW |
| R887 | 50886630 | 91 | B | so | 1 | PCE | RMGCFMIN 100K0 OHM +5% 100MIOW |
| R888 | 90574400 | 91 | B | so | 1 | PCE | RMGCFMIN 470R0 OHM +5% 100MIOW |
| R889 | 20472020 | 91 | B | so | 1 | PCE | RMGCFMIN 180K0 OHM +5% 100MIOW |
| R890 | 20471950 | 91 | B | so | 1 | PCE | RMGCFMIN 1K0 OHM +5% 100MIOW |
| R891 | 80440400 | 91 | B | so | 1 | PCE | RMGCFMIN 5K6 OHM +5% 100MIOW |
| R892 | 50886630 | 91 | B | so | 1 | PCE | RMGCFMIN 100K0 OHM +5% 100MIOW |
| R893 | 90574400 | 91 | B | so | 1 | PCE | RMGCFMIN 470R0 OHM +5% 100MIOW |
| R894 | 20472020 | 91 | B | so | 1 | PCE | RMGCFMIN 180K0 OHM +5% 100MIOW |
| R895 | 20471950 | 91 | B | so | 1 | PCE | RMGCFMIN 1K0 OHM +5% 100MIOW |
| R896 | 80440400 | 91 | B | so | 1 | PCE | RMGCFMIN 5K6 OHM +5% 100MIOW |
| R897 | 50886630 | 91 | B | so | 1 | PCE | RMGCFMIN 100K0 OHM +5% 100MIOW |
| R898 | 90574400 | 91 | B | so | 1 | PCE | RMGCFMIN 470R0 OHM +5% 100MIOW |
| R899 | 50886630 | 91 | B | so | 1 | PCE | RMGCFMIN 100K0 OHM +5% 100MIOW |
| R901 | 80440400 | 91 | B | so | 1 | PCE | RMGCFMIN 5K6 OHM +5% 100MIOW |
| R902 | 50886630 | 91 | B | so | 1 | PCE | RMGCFMIN 100K0 OHM +5% 100MIOW |
| R903 | 20471950 | 91 | B | so | 1 | PCE | RMGCFMIN 1K0 OHM +5% 100MIOW |
| R904 | 90574400 | 91 | B | so | 1 | PCE | RMGCFMIN 470R0 OHM +5% 100MIOW |
| R905 | 50886630 | 91 | B | so | 1 | PCE | RMGCFMIN 100K0 OHM +5% 100MIOW |
| R907 | 80440400 | 91 | B | so | 1 | PCE | RMGCFMIN 5K6 OHM +5% 100MIOW |
| R908 | 50886630 | 91 | B | so | 1 | PCE | RMGCFMIN 100K0 OHM +5% 100MIOW |
| R909 | 20471950 | 91 | B | so | 1 | PCE | RMGCFMIN 1K0 OHM +5% 100MIOW |
| R910 | 90574400 | 91 | B | so | 1 | PCE | RMGCFMIN 470R0 OHM +5% 100MIOW |
| R911 | 50886630 | 91 | B | so | 1 | PCE | RMGCFMIN 100K0 OHM +5% 100MIOW |
| R912 | 20471950 | 91 | B | so | 1 | PCE | RMGCFMIN 1K0 OHM +5% 100MIOW |
| R913 | 80440400 | 91 | B | so | 1 | PCE | RMGCFMIN 5K6 OHM +5% 100MIOW |
| R914 | 50886630 | 91 | B | so | 1 | PCE | RMGCFMIN 100K0 OHM +5% 100MIOW |
| R915 | 20471950 | 91 | B | so | 1 | PCE | RMGCFMIN 1K0 OHM +5% 100MIOW |
| R916 | 90574400 | 91 | B | so | 1 | PCE | RMGCFMIN 470R0 OHM +5% 100MIOW |
| R917 | 50886630 | 91 | B | so | 1 | PCE | RMGCFMIN 100K0 OHM +5% 100MIOW |
| R918 | 20471950 | 91 | B | so | 1 | PCE | RMGCFMIN 1K0 OHM +5% 100MIOW |
| R919 | 50886610 | 91 | B | so | 1 | PCE | RMGCFMIN 10K0 OHM +5% 100MIOW |
| R920 | 50886630 | 91 | B | so | 1 | PCE | RMGCFMIN 100K0 OHM +5% 100MIOW |
| R921 | 20471950 | 91 | B | so | 1 | PCE | RMGCFMIN 1K0 OHM +5% 100MIOW |
| R922 | 90574400 | 91 | B | so | 1 | PCE | RMGCFMIN 470R0 OHM +5% 100MIOW |
| R923 | 50886630 | 91 | B | so | 1 | PCE | RMGCFMIN 100K0 OHM +5% 100MIOW |
| R924 | 20471950 | 91 | B | so | 1 | PCE | RMGCFMIN 1K0 OHM +5% 100MIOW |
| R925 | 80440400 | 91 | B | so | 1 | PCE | RMGCFMIN 5K6 OHM +5% 100MIOW |
| R926 | 50886630 | 91 | B | so | 1 | PCE | RMGCFMIN 100K0 OHM +5% 100MIOW |

| | | | | | | | |
|------|----------|----|---|----|---|-----|--------------------------------|
| R927 | 20471950 | 91 | B | so | 1 | PCE | RMGCFMIN 1K0 OHM +5% 100MIOW |
| R928 | 90574400 | 91 | B | so | 1 | PCE | RMGCFMIN 470R0 OHM +5% 100MIOW |
| R929 | 50886630 | 91 | B | so | 1 | PCE | RMGCFMIN 100K0 OHM +5% 100MIOW |
| R930 | 20471950 | 91 | B | so | 1 | PCE | RMGCFMIN 1K0 OHM +5% 100MIOW |
| R931 | 80440390 | 91 | B | so | 1 | PCE | RMGCFMIN 2K2 OHM +5% 100MIOW |
| R932 | 50886630 | 91 | B | so | 1 | PCE | RMGCFMIN 100K0 OHM +5% 100MIOW |
| R933 | 20471920 | 91 | B | so | 1 | PCE | RMGCFMIN 220R0 OHM +5% 100MIOW |
| R934 | 90574400 | 91 | B | so | 1 | PCE | RMGCFMIN 470R0 OHM +5% 100MIOW |
| R935 | 30944340 | 91 | B | so | 1 | PCE | RMGCFMIN 27K0 OHM +5% 100MIOW |
| R936 | 50886630 | 91 | B | so | 1 | PCE | RMGCFMIN 100K0 OHM +5% 100MIOW |
| R937 | 20471950 | 91 | B | so | 1 | PCE | RMGCFMIN 1K0 OHM +5% 100MIOW |
| R938 | 80440390 | 91 | B | so | 1 | PCE | RMGCFMIN 2K2 OHM +5% 100MIOW |
| R939 | 50886630 | 91 | B | so | 1 | PCE | RMGCFMIN 100K0 OHM +5% 100MIOW |
| R940 | 20471920 | 91 | B | so | 1 | PCE | RMGCFMIN 220R0 OHM +5% 100MIOW |
| R941 | 30944320 | 91 | B | so | 1 | PCE | RMGCFMIN 9K1 OHM +5% 100MIOW |
| R942 | 90574400 | 91 | B | so | 1 | PCE | RMGCFMIN 470R0 OHM +5% 100MIOW |
| R943 | 20472020 | 91 | B | so | 1 | PCE | RMGCFMIN 180K0 OHM +5% 100MIOW |
| R944 | 50886630 | 91 | B | so | 1 | PCE | RMGCFMIN 100K0 OHM +5% 100MIOW |
| R945 | 90574400 | 91 | B | so | 1 | PCE | RMGCFMIN 470R0 OHM +5% 100MIOW |
| R946 | 20472020 | 91 | B | so | 1 | PCE | RMGCFMIN 180K0 OHM +5% 100MIOW |
| R947 | 50886630 | 91 | B | so | 1 | PCE | RMGCFMIN 100K0 OHM +5% 100MIOW |
| R948 | 30944340 | 91 | B | so | 1 | PCE | RMGCFMIN 27K0 OHM +5% 100MIOW |
| R949 | 20471920 | 91 | B | so | 1 | PCE | RMGCFMIN 220R0 OHM +5% 100MIOW |
| R950 | 90574400 | 91 | B | so | 1 | PCE | RMGCFMIN 470R0 OHM +5% 100MIOW |
| R951 | 20471950 | 91 | B | so | 1 | PCE | RMGCFMIN 1K0 OHM +5% 100MIOW |
| R952 | 20471950 | 91 | B | so | 1 | PCE | RMGCFMIN 1K0 OHM +5% 100MIOW |
| R953 | 50886630 | 91 | B | so | 1 | PCE | RMGCFMIN 100K0 OHM +5% 100MIOW |
| R954 | 80440400 | 91 | B | so | 1 | PCE | RMGCFMIN 5K6 OHM +5% 100MIOW |
| R955 | 50886630 | 91 | B | so | 1 | PCE | RMGCFMIN 100K0 OHM +5% 100MIOW |
| R956 | 90574430 | 91 | B | so | 1 | PCE | RMGCFMIN 18K0 OHM +5% 100MIOW |
| R957 | 20471950 | 91 | B | so | 1 | PCE | RMGCFMIN 1K0 OHM +5% 100MIOW |
| R958 | 20471950 | 91 | B | so | 1 | PCE | RMGCFMIN 1K0 OHM +5% 100MIOW |
| R959 | 20471950 | 91 | B | so | 1 | PCE | RMGCFMIN 1K0 OHM +5% 100MIOW |
| R960 | 20471950 | 91 | B | so | 1 | PCE | RMGCFMIN 1K0 OHM +5% 100MIOW |
| R961 | 20471950 | 91 | B | so | 1 | PCE | RMGCFMIN 1K0 OHM +5% 100MIOW |
| R962 | 20471950 | 91 | B | so | 1 | PCE | RMGCFMIN 1K0 OHM +5% 100MIOW |
| R963 | 50886550 | 91 | B | so | 1 | PCE | RMGCFMIN 560R0 OHM +5% 100MIOW |
| R964 | 50886550 | 91 | B | so | 1 | PCE | RMGCFMIN 560R0 OHM +5% 100MIOW |
| R965 | 90574400 | 91 | B | so | 1 | PCE | RMGCFMIN 470R0 OHM +5% 100MIOW |
| R966 | 90574400 | 91 | B | so | 1 | PCE | RMGCFMIN 470R0 OHM +5% 100MIOW |
| R967 | 30944340 | 91 | B | so | 1 | PCE | RMGCFMIN 27K0 OHM +5% 100MIOW |
| R968 | 30944340 | 91 | B | so | 1 | PCE | RMGCFMIN 27K0 OHM +5% 100MIOW |
| R969 | 90574430 | 91 | B | so | 1 | PCE | RMGCFMIN 18K0 OHM +5% 100MIOW |
| R970 | 90574430 | 91 | B | so | 1 | PCE | RMGCFMIN 18K0 OHM +5% 100MIOW |

PART NO : 55261940

TITEL : AC EMBD IMA SURROUND BD AVR5500

| Pos | Tocom# | Pkg | M/B | St | Qty | Unit | SName |
|-------|----------|-----|-----|----|-------|------|---|
| 020 | 55262070 | | M | SO | 1 | PCE | AC ESABD IAU SURROUND BD AVR5500 |
| 030 | 55188900 | | X | ud | 1 | PCE | AC SCHEMATIC SURROUND BD AVR520 OEM |
| 040 | 20290150 | | B | so | 0.015 | KG | SOLDER BAR 52SN/45PB/3SB BAR |
| 041 | 15481260 | | B | so | 0.015 | L | SLDC FLUX LRES FOAM SM32DHT-2 |
| 050 | 55176410 | | B | so | 1 | PCE | AC METAL HEATSINK 17*15*30 AVR520 -- |
| 055 | 55127070 | | B | so | 1 | PCE | SCREW-ST 3MM 10MM JIS B 1122 25 0 0 |
| AC981 | 55246750 | NR | B | so | 1 | PCE | CONN-SPE AC OUTLET 2P 220V FE 19MM 2 BK 0 0 |
| BKT1 | 55176420 | | B | ud | 1 | PCE | AC PUN BRACKET BKT GROUND ET 0.5T AVR520 |
| BKT2 | 55176420 | | B | ud | 1 | PCE | AC PUN BRACKET BKT GROUND ET 0.5T AVR520 |
| C378 | 15041100 | 16 | B | so | 1 | PCE | RA 3M3 OHM +10% 500MI0W |
| C621 | 13076940 | AM | B | so | 1 | PCE | CE 470U0F +20% 63.0V 85C |
| C622 | 13076940 | AM | B | so | 1 | PCE | CE 470U0F +20% 63.0V 85C |
| C623 | 13076940 | AM | B | so | 1 | PCE | CE 470U0F +20% 63.0V 85C |
| C624 | 13076940 | AM | B | so | 1 | PCE | CE 470U0F +20% 63.0V 85C |
| C691 | 55126170 | NR | B | so | 1 | PCE | CE 6MI8F +20% 63.0V 85C |
| C692 | 55126170 | NR | B | so | 1 | PCE | CE 6MI8F +20% 63.0V 85C |
| C982 | 55095470 | NR | B | so | 1 | PCE | CC 4N7F +20% -20% 250.0V Y5V |
| C984 | 13073530 | AM | B | so | 1 | PCE | CE 470U0F +20% 50.0V 85C |
| C989 | 13073530 | AM | B | so | 1 | PCE | CE 470U0F +20% 50.0V 85C |
| C990 | 13073530 | AM | B | so | 1 | PCE | CE 470U0F +20% 50.0V 85C |
| CA81 | 55095460 | NR | B | so | 1 | PCE | CPPMX 100N0F +20% -20% |
| CN390 | 55123310 | | B | so | 1 | PCE | CONN 2.0MM 4 MA ST NAT LW2002P04 0 0 |
| CN391 | 55090080 | | B | so | 1 | PCE | CONN 2.0MM 3 MA ST NAT LW2002P03 0 0 |
| CN606 | 55191230 | NR | B | ud | 1 | PCE | WIRECONASY UNIQUE 3P 864MM UL1007 PVC DISCRETE 26 1 |
| D691 | 55179280 | NR | B | ud | 1 | PCE | D-BRDLC BRIDGE BU8-04F FRONTIER |
| D981 | 20415060 | 16 | B | so | 1 | PCE | D-SR 1N4004 400.0V 1.0A |
| D982 | 20415060 | 16 | B | so | 1 | PCE | D-SR 1N4004 400.0V 1.0A |
| D983 | 20415060 | 16 | B | so | 1 | PCE | D-SR 1N4004 400.0V 1.0A |
| D984 | 20415060 | 16 | B | so | 1 | PCE | D-SR 1N4004 400.0V 1.0A |
| D985 | 20415060 | 16 | B | so | 1 | PCE | D-SR 1N4004 400.0V 1.0A |
| D986 | 20415060 | 16 | B | so | 1 | PCE | D-SR 1N4004 400.0V 1.0A |
| D989 | 20415060 | 16 | B | so | 1 | PCE | D-SR 1N4004 400.0V 1.0A |
| D990 | 20415060 | 16 | B | so | 1 | PCE | D-SR 1N4004 400.0V 1.0A |
| FU981 | 55126910 | NR | B | so | 1 | PCE | FUSVDETIMELG 5.0 A 250.0 V 5X20 |
| H012 | 55180170 | NR | B | ud | 1 | PCE | WIRECONASY UNIQUE 1P 200MM UL1007 PVC DISCRETE 18 1 |
| IC390 | 55179600 | NR | B | so | 1 | PCE | IC-LOGIC TC4053BFN SOL16 MULTIPLEXER CMOS |
| IC391 | 55175530 | NR | B | so | 1 | PCE | IC-VIDEOPROC TSH95D VIDEO AMPLIFIER |
| IC981 | 55179250 | NR | B | ud | 1 | PCE | IC-REGPOFXD KIA7805API TO-220AB NORMAL |
| JA290 | 55176360 | | B | so | 1 | PCE | CON PHONO SCKT RCA 9P W/GND CAP JK090122LN |
| JK601 | 55191390 | NR | B | so | 1 | PCE | CONN-SPE TERMINAL SPKR 4P SH0410376P FE 19MM 4 BK 0 0 |
| L601 | 55233160 | NR | M | UD | 1 | PCE | LF 700N0H |
| L602 | 55233160 | NR | M | UD | 1 | PCE | LF 700N0H |
| Q625 | 55179200 | NR | B | so | 1 | PCE | TR-SHPLF 2SC4883A N 2.0A |
| Q626 | 55179200 | NR | B | so | 1 | PCE | TR-SHPLF 2SC4883A N 2.0A |
| Q633 | 55179190 | NR | B | so | 1 | PCE | TR-SHPLF 2SA1859A P -2.0A |
| Q634 | 55179190 | NR | B | so | 1 | PCE | TR-SHPLF 2SA1859A P -2.0A |
| Q635 | 55179200 | NR | B | so | 1 | PCE | TR-SHPLF 2SC4883A N 2.0A |
| Q636 | 55179200 | NR | B | so | 1 | PCE | TR-SHPLF 2SC4883A N 2.0A |
| Q637 | 55179180 | NR | B | so | 1 | PCE | TR-SHPLF 2SC5358-R N 15.0A |

| | | | | | | | |
|-------|----------|----|---|----|---|-----|--|
| Q638 | 55179180 | NR | B | so | 1 | PCE | TR-SHPLF 2SC5358-R N 15.0A |
| Q639 | 55179150 | NR | B | so | 1 | PCE | TR-SHPLF 2SA1986-R P -15.0A |
| Q640 | 55179150 | NR | B | so | 1 | PCE | TR-SHPLF 2SA1986-R P -15.0A |
| R671 | 55179340 | NR | B | ud | 1 | PCE | RW 220MIO OHM +5% 5.0W 600PPM/'C -600PPM/'C |
| R672 | 55179340 | NR | B | ud | 1 | PCE | RW 220MIO OHM +5% 5.0W 600PPM/'C -600PPM/'C |
| R675 | 60442550 | 16 | B | so | 1 | PCE | RMOF 10R0 OHM +5% 1.0W |
| R676 | 60442550 | 16 | B | so | 1 | PCE | RMOF 10R0 OHM +5% 1.0W |
| RL981 | 55091500 | NR | B | so | 1 | PCE | RELAYPWR 12.0V 270.0OHM 10.0A 250.0V |
| T981 | 55155650 | NR | B | so | 1 | PCE | TF-LAM POWER-TRANSFORMER 230V |
| VR601 | 55152180 | NR | B | so | 1 | PCE | PR 1K0 OHM +30% 100MIO |
| VR602 | 55152180 | NR | B | so | 1 | PCE | PR 1K0 OHM +30% 100MIO |
| WA601 | 55146560 | | B | so | 1 | PCE | CONN 2.5MM 2 MA ST NAT 0 0 |
| WA602 | 55146560 | | B | so | 1 | PCE | CONN 2.5MM 2 MA ST NAT 0 0 |
| WA603 | 55171550 | | B | so | 1 | PCE | CON 3.96MM PITCH MOLEX 35313-0310 |
| WA625 | 55123310 | | B | so | 1 | PCE | CONN 2.0MM 4 MA ST NAT LW2002P04 0 0 |
| WA981 | 5504884A | | B | so | 1 | PCE | CON 3.96MM PITCH HEADER 2 POS |
| WA983 | 55123510 | | B | so | 1 | PCE | CON 3.96MM PITCH HEADER 2 POS MOLEX 35328-0210 |
| WA985 | 55123510 | | B | so | 1 | PCE | CON 3.96MM PITCH HEADER 2 POS MOLEX 35328-0210 |
| WA986 | 55146620 | | B | so | 1 | PCE | CONN 2.5MM 7 MA ST NAT 0 0 |

PART NO : 55262070

TITEL : AC ESABD IAU SURROUND BD AVR5500

| Pos | Tocom# | Pkg | M/B | St | Qty | Unit | SName |
|------|----------|-----|-----|----|-----|------|----------------------------------|
| 020 | 55262290 | | B | ud | 1 | PCE | AC PCB SURR AVR5500 SINGLE LAYER |
| C350 | 20252050 | 30 | B | so | 1 | PCE | CE 100U0F +20% 6.3V 85C |
| C351 | 20252050 | 30 | B | so | 1 | PCE | CE 100U0F +20% 6.3V 85C |
| C352 | 20268880 | 30 | B | so | 1 | PCE | CE 10U0F +20% 50.0V 85C |
| C353 | 20268880 | 30 | B | so | 1 | PCE | CE 10U0F +20% 50.0V 85C |
| C354 | 20268880 | 30 | B | so | 1 | PCE | CE 10U0F +20% 50.0V 85C |
| C361 | 20252050 | 30 | B | so | 1 | PCE | CE 100U0F +20% 6.3V 85C |
| C362 | 20246470 | 71 | B | so | 1 | PCE | CC 100N0F +80% -20% 25.0V Z5V |
| C363 | 20246470 | 71 | B | so | 1 | PCE | CC 100N0F +80% -20% 25.0V Z5V |
| C364 | 20246470 | 71 | B | so | 1 | PCE | CC 100N0F +80% -20% 25.0V Z5V |
| C367 | 20246470 | 71 | B | so | 1 | PCE | CC 100N0F +80% -20% 25.0V Z5V |
| C368 | 20246470 | 71 | B | so | 1 | PCE | CC 100N0F +80% -20% 25.0V Z5V |
| C369 | 20246470 | 71 | B | so | 1 | PCE | CC 100N0F +80% -20% 25.0V Z5V |
| C372 | 20267830 | 30 | B | so | 1 | PCE | CE 47U0F +20% 16.0V 85C |
| C373 | 20267830 | 30 | B | so | 1 | PCE | CE 47U0F +20% 16.0V 85C |
| C374 | 20267830 | 30 | B | so | 1 | PCE | CE 47U0F +20% 16.0V 85C |
| C375 | 20267830 | 30 | B | so | 1 | PCE | CE 47U0F +20% 16.0V 85C |
| C386 | 20246470 | 71 | B | so | 1 | PCE | CC 100N0F +80% -20% 25.0V Z5V |
| C601 | 20268880 | 30 | B | so | 1 | PCE | CE 10U0F +20% 50.0V 85C |
| C602 | 20268880 | 30 | B | so | 1 | PCE | CE 10U0F +20% 50.0V 85C |
| C603 | 11055300 | 71 | B | so | 1 | PCE | CC 68P0F +5% -5% 50.0V NP0 |
| C604 | 11055300 | 71 | B | so | 1 | PCE | CC 68P0F +5% -5% 50.0V NP0 |
| C605 | 20269070 | 30 | B | so | 1 | PCE | CE 100U0F +20% 25.0V 85C |
| C606 | 20269070 | 30 | B | so | 1 | PCE | CE 100U0F +20% 25.0V 85C |
| C607 | 20269080 | 30 | B | so | 1 | PCE | CE 220U0F +20% 10.0V 85C |
| C608 | 20269080 | 30 | B | so | 1 | PCE | CE 220U0F +20% 10.0V 85C |
| C609 | 30936070 | 71 | B | so | 1 | PCE | CC 12P0F +5% -5% 50.0V NP0 |
| C610 | 30936070 | 71 | B | so | 1 | PCE | CC 12P0F +5% -5% 50.0V NP0 |

| | | | | | | | |
|-------|----------|----|---|----|---|-----|-----------------------------------|
| C611 | 60439150 | 71 | B | so | 1 | PCE | CC 33P0F +5% -5% 50.0V NP0 |
| C612 | 60439150 | 71 | B | so | 1 | PCE | CC 33P0F +5% -5% 50.0V NP0 |
| C613 | 20268880 | 30 | B | so | 1 | PCE | CE 10U0F +20% 50.0V 85C |
| C614 | 20268880 | 30 | B | so | 1 | PCE | CE 10U0F +20% 50.0V 85C |
| C615 | 20268880 | 30 | B | so | 1 | PCE | CE 10U0F +20% 50.0V 85C |
| C616 | 20268880 | 30 | B | so | 1 | PCE | CE 10U0F +20% 50.0V 85C |
| C617 | 55179360 | 71 | B | so | 1 | PCE | CPM 100N0F +10% 63.0V |
| C618 | 55179360 | 71 | B | so | 1 | PCE | CPM 100N0F +10% 63.0V |
| C619 | 55179360 | 71 | B | so | 1 | PCE | CPM 100N0F +10% 63.0V |
| C620 | 55179360 | 71 | B | so | 1 | PCE | CPM 100N0F +10% 63.0V |
| C625 | 11055560 | 71 | B | so | 1 | PCE | CC 3N3F +10% -10% 50.0V Y5P |
| C626 | 11055560 | 71 | B | so | 1 | PCE | CC 3N3F +10% -10% 50.0V Y5P |
| C629 | 40433580 | 71 | B | so | 1 | PCE | CC 68P0F +10% -10% 50.0V Y5P |
| C630 | 40433580 | 71 | B | so | 1 | PCE | CC 68P0F +10% -10% 50.0V Y5P |
| C681 | 55179400 | 71 | B | so | 1 | PCE | CPM 68N0F +5% 63.0V |
| C682 | 55179400 | 71 | B | so | 1 | PCE | CPM 68N0F +5% 63.0V |
| C693 | 55095430 | 71 | B | so | 1 | PCE | CPM 100N0F +10% 250.0V |
| C694 | 55095430 | 71 | B | so | 1 | PCE | CPM 100N0F +10% 250.0V |
| C695 | 55095430 | 71 | B | so | 1 | PCE | CPM 100N0F +10% 250.0V |
| C696 | 15002130 | 30 | B | so | 1 | PCE | CE 10U0F +20% 16.0V 85C |
| C971 | 20268840 | 30 | B | so | 1 | PCE | CE 1U0F +20% 50.0V 85C |
| C983 | 70428520 | 71 | B | so | 1 | PCE | CC 10N0F +10% -10% 50.0V Y5P |
| C985 | 20495030 | 16 | B | so | 1 | PCE | CC 100N0F +10% -10% 25.0V Y5P |
| C986 | 20268840 | 30 | B | so | 1 | PCE | CE 1U0F +20% 50.0V 85C |
| C987 | 20268880 | 30 | B | so | 1 | PCE | CE 10U0F +20% 50.0V 85C |
| C988 | 20495030 | 16 | B | so | 1 | PCE | CC 100N0F +10% -10% 25.0V Y5P |
| C991 | 20269010 | 30 | B | so | 1 | PCE | CE 47U0F +20% 50.0V 85C |
| C992 | 13039350 | 30 | B | so | 1 | PCE | CE 100U0F +20% 35.0V 85C |
| C993 | 20495030 | 16 | B | so | 1 | PCE | CC 100N0F +10% -10% 25.0V Y5P |
| C994 | 20495030 | 16 | B | so | 1 | PCE | CC 100N0F +10% -10% 25.0V Y5P |
| C995 | 20495030 | 16 | B | so | 1 | PCE | CC 100N0F +10% -10% 25.0V Y5P |
| C997 | 70428520 | 71 | B | so | 1 | PCE | CC 10N0F +10% -10% 50.0V Y5P |
| C998 | 70428520 | 71 | B | so | 1 | PCE | CC 10N0F +10% -10% 50.0V Y5P |
| C999 | 70428520 | 71 | B | so | 1 | PCE | CC 10N0F +10% -10% 50.0V Y5P |
| D601 | 70436540 | 16 | B | so | 1 | PCE | D-SLP 1N4148 100.0V 150E-3A |
| D602 | 70436540 | 16 | B | so | 1 | PCE | D-SLP 1N4148 100.0V 150E-3A |
| D603 | 70436540 | 16 | B | so | 1 | PCE | D-SLP 1N4148 100.0V 150E-3A |
| D604 | 70436540 | 16 | B | so | 1 | PCE | D-SLP 1N4148 100.0V 150E-3A |
| D681 | 70436540 | 16 | B | so | 1 | PCE | D-SLP 1N4148 100.0V 150E-3A |
| D682 | 70436540 | 16 | B | so | 1 | PCE | D-SLP 1N4148 100.0V 150E-3A |
| D683 | 70436540 | 16 | B | so | 1 | PCE | D-SLP 1N4148 100.0V 150E-3A |
| D684 | 70436540 | 16 | B | so | 1 | PCE | D-SLP 1N4148 100.0V 150E-3A |
| D685 | 70436540 | 16 | B | so | 1 | PCE | D-SLP 1N4148 100.0V 150E-3A |
| D987 | 70436540 | 16 | B | so | 1 | PCE | D-SLP 1N4148 100.0V 150E-3A |
| D988 | 70436540 | 16 | B | so | 1 | PCE | D-SLP 1N4148 100.0V 150E-3A |
| D991 | 20475340 | 16 | B | so | 1 | PCE | D-ZENER BZX55B30 30V 500MI0W |
| D992 | 70436540 | 16 | B | so | 1 | PCE | D-SLP 1N4148 100.0V 150E-3A |
| D994 | 20873880 | 16 | B | so | 1 | PCE | D-ZENER 1N5236B 7.5V 500MI0W |
| D996 | 20526960 | 16 | B | so | 1 | PCE | D-ZENER 1N5231B 5.1V 500MI0W |
| FH981 | 55170330 | CM | B | so | 1 | PCE | TERMFUSEHLDR FUSE-HOLDER |
| FH982 | 55170330 | CM | B | so | 1 | PCE | TERMFUSEHLDR FUSE-HOLDER |
| Q301 | 55133210 | 56 | B | so | 1 | PCE | TR-SLPLF DTC114YSA N 100MI0A |
| Q601 | 20556600 | 56 | B | so | 1 | PCE | TR-SHPLF KTC3200BL N 100MI0A 120V |

| | | | | | | | |
|------|----------|----|---|----|---|-----|-----------------------------------|
| Q602 | 20556600 | 56 | B | so | 1 | PCE | TR-SHPLF KTC3200BL N 100MI0A 120V |
| Q603 | 20556600 | 56 | B | so | 1 | PCE | TR-SHPLF KTC3200BL N 100MI0A 120V |
| Q604 | 20556600 | 56 | B | so | 1 | PCE | TR-SHPLF KTC3200BL N 100MI0A 120V |
| Q605 | 20556600 | 56 | B | so | 1 | PCE | TR-SHPLF KTC3200BL N 100MI0A 120V |
| Q606 | 20556600 | 56 | B | so | 1 | PCE | TR-SHPLF KTC3200BL N 100MI0A 120V |
| Q607 | 20508080 | 56 | B | so | 1 | PCE | TR-SLPLF KTC3198BL N 150MI0A |
| Q608 | 20508080 | 56 | B | so | 1 | PCE | TR-SLPLF KTC3198BL N 150MI0A |
| Q611 | 20647850 | 56 | B | so | 1 | PCE | TR-SHPLF KTA1268BL P 100MI0A 120V |
| Q612 | 20647850 | 56 | B | so | 1 | PCE | TR-SHPLF KTA1268BL P 100MI0A 120V |
| Q613 | 20647850 | 56 | B | so | 1 | PCE | TR-SHPLF KTA1268BL P 100MI0A 120V |
| Q614 | 20647850 | 56 | B | so | 1 | PCE | TR-SHPLF KTA1268BL P 100MI0A 120V |
| Q615 | 20556600 | 56 | B | so | 1 | PCE | TR-SHPLF KTC3200BL N 100MI0A 120V |
| Q616 | 20556600 | 56 | B | so | 1 | PCE | TR-SHPLF KTC3200BL N 100MI0A 120V |
| Q617 | 55133260 | 56 | B | so | 1 | PCE | TR-SLPLF KTA1024 Y P 50MI0A -150V |
| Q618 | 55133260 | 56 | B | so | 1 | PCE | TR-SLPLF KTA1024 Y P 50MI0A -150V |
| Q619 | 55133240 | 56 | B | so | 1 | PCE | TR-SLPLF KTC3206 Y N 50MI0A 150V |
| Q620 | 55133240 | 56 | B | so | 1 | PCE | TR-SLPLF KTC3206 Y N 50MI0A 150V |
| Q621 | 55133260 | 56 | B | so | 1 | PCE | TR-SLPLF KTA1024 Y P 50MI0A -150V |
| Q622 | 55133260 | 56 | B | so | 1 | PCE | TR-SLPLF KTA1024 Y P 50MI0A -150V |
| Q623 | 55133240 | 56 | B | so | 1 | PCE | TR-SLPLF KTC3206 Y N 50MI0A 150V |
| Q624 | 55133240 | 56 | B | so | 1 | PCE | TR-SLPLF KTC3206 Y N 50MI0A 150V |
| Q627 | 20556600 | 56 | B | so | 1 | PCE | TR-SHPLF KTC3200BL N 100MI0A 120V |
| Q628 | 20556600 | 56 | B | so | 1 | PCE | TR-SHPLF KTC3200BL N 100MI0A 120V |
| Q629 | 55133240 | 56 | B | so | 1 | PCE | TR-SLPLF KTC3206 Y N 50MI0A 150V |
| Q630 | 55133240 | 56 | B | so | 1 | PCE | TR-SLPLF KTC3206 Y N 50MI0A 150V |
| Q631 | 55133260 | 56 | B | so | 1 | PCE | TR-SLPLF KTA1024 Y P 50MI0A -150V |
| Q632 | 55133260 | 56 | B | so | 1 | PCE | TR-SLPLF KTA1024 Y P 50MI0A -150V |
| Q681 | 20556600 | 56 | B | so | 1 | PCE | TR-SHPLF KTC3200BL N 100MI0A 120V |
| Q682 | 20556600 | 56 | B | so | 1 | PCE | TR-SHPLF KTC3200BL N 100MI0A 120V |
| Q683 | 20647850 | 56 | B | so | 1 | PCE | TR-SHPLF KTA1268BL P 100MI0A 120V |
| Q981 | 20647850 | 56 | B | so | 1 | PCE | TR-SHPLF KTA1268BL P 100MI0A 120V |
| Q982 | 55142670 | 56 | B | so | 1 | PCE | TR-SLPLF MPSA06 N 500MI0A |
| R350 | 70430520 | 16 | B | so | 1 | PCE | RCF 75R0 OHM +5% 250MI0W |
| R351 | 70430520 | 16 | B | so | 1 | PCE | RCF 75R0 OHM +5% 250MI0W |
| R352 | 60441580 | 16 | B | so | 1 | PCE | RCF 22K0 OHM +5% 250MI0W |
| R353 | 70430520 | 16 | B | so | 1 | PCE | RCF 75R0 OHM +5% 250MI0W |
| R354 | 70430520 | 16 | B | so | 1 | PCE | RCF 75R0 OHM +5% 250MI0W |
| R355 | 30939360 | 16 | B | so | 1 | PCE | RCF 10R0 OHM +5% 250MI0W |
| R356 | 70430520 | 16 | B | so | 1 | PCE | RCF 75R0 OHM +5% 250MI0W |
| R357 | 70430520 | 16 | B | so | 1 | PCE | RCF 75R0 OHM +5% 250MI0W |
| R358 | 30939360 | 16 | B | so | 1 | PCE | RCF 10R0 OHM +5% 250MI0W |
| R359 | 70430520 | 16 | B | so | 1 | PCE | RCF 75R0 OHM +5% 250MI0W |
| R360 | 30939360 | 16 | B | so | 1 | PCE | RCF 10R0 OHM +5% 250MI0W |
| R361 | 60441560 | 16 | B | so | 1 | PCE | RCF 560R0 OHM +5% 250MI0W |
| R362 | 80436970 | 16 | B | so | 1 | PCE | RCF 510R0 OHM +5% 250MI0W |
| R363 | 30939480 | 16 | B | so | 1 | PCE | RCF 10K0 OHM +5% 250MI0W |
| R364 | 60441560 | 16 | B | so | 1 | PCE | RCF 560R0 OHM +5% 250MI0W |
| R365 | 80436970 | 16 | B | so | 1 | PCE | RCF 510R0 OHM +5% 250MI0W |
| R366 | 30939480 | 16 | B | so | 1 | PCE | RCF 10K0 OHM +5% 250MI0W |
| R367 | 60441560 | 16 | B | so | 1 | PCE | RCF 560R0 OHM +5% 250MI0W |
| R368 | 80436970 | 16 | B | so | 1 | PCE | RCF 510R0 OHM +5% 250MI0W |
| R369 | 30939480 | 16 | B | so | 1 | PCE | RCF 10K0 OHM +5% 250MI0W |
| R370 | 70430520 | 16 | B | so | 1 | PCE | RCF 75R0 OHM +5% 250MI0W |

| | | | | | | | |
|------|----------|----|---|----|---|-----|---------------------------|
| R371 | 60441580 | 16 | B | so | 1 | PCE | RCF 22K0 OHM +5% 250MI0W |
| R372 | 70430520 | 16 | B | so | 1 | PCE | RCF 75R0 OHM +5% 250MI0W |
| R373 | 60441580 | 16 | B | so | 1 | PCE | RCF 22K0 OHM +5% 250MI0W |
| R374 | 30939480 | 16 | B | so | 1 | PCE | RCF 10K0 OHM +5% 250MI0W |
| R601 | 60441550 | 16 | B | so | 1 | PCE | RCF 330R0 OHM +5% 250MI0W |
| R602 | 60441550 | 16 | B | so | 1 | PCE | RCF 330R0 OHM +5% 250MI0W |
| R603 | 90571130 | 16 | B | so | 1 | PCE | RCF 39K0 OHM +5% 250MI0W |
| R604 | 90571130 | 16 | B | so | 1 | PCE | RCF 39K0 OHM +5% 250MI0W |
| R605 | 40435630 | 16 | B | so | 1 | PCE | RCF 1K5 OHM +5% 250MI0W |
| R606 | 40435630 | 16 | B | so | 1 | PCE | RCF 1K5 OHM +5% 250MI0W |
| R607 | 40435630 | 16 | B | so | 1 | PCE | RCF 1K5 OHM +5% 250MI0W |
| R608 | 40435630 | 16 | B | so | 1 | PCE | RCF 1K5 OHM +5% 250MI0W |
| R609 | 20469450 | 16 | B | so | 1 | PCE | RCF 220R0 OHM +5% 250MI0W |
| R610 | 20469450 | 16 | B | so | 1 | PCE | RCF 220R0 OHM +5% 250MI0W |
| R611 | 20469450 | 16 | B | so | 1 | PCE | RCF 220R0 OHM +5% 250MI0W |
| R612 | 20469450 | 16 | B | so | 1 | PCE | RCF 220R0 OHM +5% 250MI0W |
| R613 | 11059610 | 16 | B | so | 1 | PCE | RCF 270R0 OHM +5% 250MI0W |
| R614 | 11059610 | 16 | B | so | 1 | PCE | RCF 270R0 OHM +5% 250MI0W |
| R615 | 20469510 | 16 | B | so | 1 | PCE | RCF 43K0 OHM +5% 250MI0W |
| R616 | 20469510 | 16 | B | so | 1 | PCE | RCF 43K0 OHM +5% 250MI0W |
| R617 | 90571130 | 16 | B | so | 1 | PCE | RCF 39K0 OHM +5% 250MI0W |
| R618 | 90571130 | 16 | B | so | 1 | PCE | RCF 39K0 OHM +5% 250MI0W |
| R619 | 11059660 | 16 | B | so | 1 | PCE | RCF 2K0 OHM +5% 250MI0W |
| R620 | 11059660 | 16 | B | so | 1 | PCE | RCF 2K0 OHM +5% 250MI0W |
| R621 | 60441560 | 16 | B | so | 1 | PCE | RCF 560R0 OHM +5% 250MI0W |
| R622 | 60441560 | 16 | B | so | 1 | PCE | RCF 560R0 OHM +5% 250MI0W |
| R623 | 60441560 | 16 | B | so | 1 | PCE | RCF 560R0 OHM +5% 250MI0W |
| R624 | 60441560 | 16 | B | so | 1 | PCE | RCF 560R0 OHM +5% 250MI0W |
| R625 | 60441560 | 16 | B | so | 1 | PCE | RCF 560R0 OHM +5% 250MI0W |
| R626 | 60441560 | 16 | B | so | 1 | PCE | RCF 560R0 OHM +5% 250MI0W |
| R627 | 60441560 | 16 | B | so | 1 | PCE | RCF 560R0 OHM +5% 250MI0W |
| R628 | 60441560 | 16 | B | so | 1 | PCE | RCF 560R0 OHM +5% 250MI0W |
| R629 | 60441560 | 16 | B | so | 1 | PCE | RCF 560R0 OHM +5% 250MI0W |
| R630 | 60441560 | 16 | B | so | 1 | PCE | RCF 560R0 OHM +5% 250MI0W |
| R631 | 60441560 | 16 | B | so | 1 | PCE | RCF 560R0 OHM +5% 250MI0W |
| R632 | 60441560 | 16 | B | so | 1 | PCE | RCF 560R0 OHM +5% 250MI0W |
| R633 | 50882960 | 16 | B | so | 1 | PCE | RCF 150R0 OHM +5% 250MI0W |
| R634 | 50882960 | 16 | B | so | 1 | PCE | RCF 150R0 OHM +5% 250MI0W |
| R635 | 50882960 | 16 | B | so | 1 | PCE | RCF 150R0 OHM +5% 250MI0W |
| R636 | 50882960 | 16 | B | so | 1 | PCE | RCF 150R0 OHM +5% 250MI0W |
| R637 | 50883010 | 16 | B | so | 1 | PCE | RCF 15K0 OHM +5% 250MI0W |
| R638 | 50883010 | 16 | B | so | 1 | PCE | RCF 15K0 OHM +5% 250MI0W |
| R639 | 50883010 | 16 | B | so | 1 | PCE | RCF 15K0 OHM +5% 250MI0W |
| R640 | 50883010 | 16 | B | so | 1 | PCE | RCF 15K0 OHM +5% 250MI0W |
| R641 | 50882960 | 16 | B | so | 1 | PCE | RCF 150R0 OHM +5% 250MI0W |
| R642 | 50882960 | 16 | B | so | 1 | PCE | RCF 150R0 OHM +5% 250MI0W |
| R643 | 50882960 | 16 | B | so | 1 | PCE | RCF 150R0 OHM +5% 250MI0W |
| R644 | 50882960 | 16 | B | so | 1 | PCE | RCF 150R0 OHM +5% 250MI0W |
| R645 | 30939360 | 16 | B | so | 1 | PCE | RCF 10R0 OHM +5% 250MI0W |
| R646 | 30939360 | 16 | B | so | 1 | PCE | RCF 10R0 OHM +5% 250MI0W |
| R647 | 30939360 | 16 | B | so | 1 | PCE | RCF 10R0 OHM +5% 250MI0W |
| R648 | 30939360 | 16 | B | so | 1 | PCE | RCF 10R0 OHM +5% 250MI0W |
| R649 | 11059640 | 16 | B | so | 1 | PCE | RCF 1K0 OHM +5% 250MI0W |

| | | | | | | | |
|------|----------|----|---|----|---|-----|---------------------------|
| R650 | 11059640 | 16 | B | so | 1 | PCE | RCF 1K0 OHM +5% 250MI0W |
| R651 | 60441560 | 16 | B | so | 1 | PCE | RCF 560R0 OHM +5% 250MI0W |
| R652 | 60441560 | 16 | B | so | 1 | PCE | RCF 560R0 OHM +5% 250MI0W |
| R653 | 40435640 | 16 | B | so | 1 | PCE | RCF 4K7 OHM +5% 250MI0W |
| R654 | 40435640 | 16 | B | so | 1 | PCE | RCF 4K7 OHM +5% 250MI0W |
| R655 | 70430560 | 16 | B | so | 1 | PCE | RCF 5K6 OHM +5% 250MI0W |
| R656 | 70430560 | 16 | B | so | 1 | PCE | RCF 5K6 OHM +5% 250MI0W |
| R657 | 50882950 | 16 | B | so | 1 | PCE | RCF 100R0 OHM +5% 250MI0W |
| R658 | 50882950 | 16 | B | so | 1 | PCE | RCF 100R0 OHM +5% 250MI0W |
| R659 | 50882950 | 16 | B | so | 1 | PCE | RCF 100R0 OHM +5% 250MI0W |
| R660 | 50882950 | 16 | B | so | 1 | PCE | RCF 100R0 OHM +5% 250MI0W |
| R661 | 30939370 | 16 | B | so | 1 | PCE | RCF 15R0 OHM +5% 250MI0W |
| R662 | 30939370 | 16 | B | so | 1 | PCE | RCF 15R0 OHM +5% 250MI0W |
| R663 | 30939370 | 16 | B | so | 1 | PCE | RCF 15R0 OHM +5% 250MI0W |
| R664 | 30939370 | 16 | B | so | 1 | PCE | RCF 15R0 OHM +5% 250MI0W |
| R665 | 40438910 | 16 | B | so | 1 | PCE | RCF 2R2 OHM +5% 250MI0W |
| R666 | 40438910 | 16 | B | so | 1 | PCE | RCF 2R2 OHM +5% 250MI0W |
| R667 | 40438910 | 16 | B | so | 1 | PCE | RCF 2R2 OHM +5% 250MI0W |
| R668 | 40438910 | 16 | B | so | 1 | PCE | RCF 2R2 OHM +5% 250MI0W |
| R669 | 11059590 | 16 | B | so | 1 | PCE | RCF 82R0 OHM +5% 250MI0W |
| R670 | 11059590 | 16 | B | so | 1 | PCE | RCF 82R0 OHM +5% 250MI0W |
| R673 | 30939360 | 16 | B | so | 1 | PCE | RCF 10R0 OHM +5% 250MI0W |
| R674 | 30939360 | 16 | B | so | 1 | PCE | RCF 10R0 OHM +5% 250MI0W |
| R677 | 30939360 | 16 | B | so | 1 | PCE | RCF 10R0 OHM +5% 250MI0W |
| R678 | 30939360 | 16 | B | so | 1 | PCE | RCF 10R0 OHM +5% 250MI0W |
| R679 | 50882970 | 16 | B | so | 1 | PCE | RCF 470R0 OHM +5% 250MI0W |
| R680 | 50882970 | 16 | B | so | 1 | PCE | RCF 470R0 OHM +5% 250MI0W |
| R681 | 40435630 | 16 | B | so | 1 | PCE | RCF 1K5 OHM +5% 250MI0W |
| R682 | 40435630 | 16 | B | so | 1 | PCE | RCF 1K5 OHM +5% 250MI0W |
| R683 | 50883010 | 16 | B | so | 1 | PCE | RCF 15K0 OHM +5% 250MI0W |
| R684 | 50883010 | 16 | B | so | 1 | PCE | RCF 15K0 OHM +5% 250MI0W |
| R685 | 60441580 | 16 | B | so | 1 | PCE | RCF 22K0 OHM +5% 250MI0W |
| R686 | 60441580 | 16 | B | so | 1 | PCE | RCF 22K0 OHM +5% 250MI0W |
| R687 | 40435630 | 16 | B | so | 1 | PCE | RCF 1K5 OHM +5% 250MI0W |
| R688 | 40435630 | 16 | B | so | 1 | PCE | RCF 1K5 OHM +5% 250MI0W |
| R689 | 90571130 | 16 | B | so | 1 | PCE | RCF 39K0 OHM +5% 250MI0W |
| R690 | 90571130 | 16 | B | so | 1 | PCE | RCF 39K0 OHM +5% 250MI0W |
| R691 | 30939480 | 16 | B | so | 1 | PCE | RCF 10K0 OHM +5% 250MI0W |
| R692 | 90571130 | 16 | B | so | 1 | PCE | RCF 39K0 OHM +5% 250MI0W |
| R971 | 30939480 | 16 | B | so | 1 | PCE | RCF 10K0 OHM +5% 250MI0W |
| R972 | 30939510 | 16 | B | so | 1 | PCE | RCF 100K0 OHM +5% 250MI0W |
| R981 | 20472530 | 16 | B | so | 1 | PCE | RCF 4R7 OHM +5% 250MI0W |
| R982 | 20469460 | 16 | B | so | 1 | PCE | RCF 2K2 OHM +5% 250MI0W |
| R983 | 11059640 | 16 | B | so | 1 | PCE | RCF 1K0 OHM +5% 250MI0W |
| R984 | 11059670 | 16 | B | so | 1 | PCE | RCF 2K7 OHM +5% 250MI0W |
| R985 | 30939380 | 16 | B | so | 1 | PCE | RCF 22R0 OHM +5% 250MI0W |
| R986 | 20469460 | 16 | B | so | 1 | PCE | RCF 2K2 OHM +5% 250MI0W |
| R987 | 60441560 | 16 | B | so | 1 | PCE | RCF 560R0 OHM +5% 250MI0W |
| R988 | 11067570 | 16 | B | so | 1 | PCE | RCF 1R0 OHM +5% 250MI0W |
| R989 | 11067570 | 16 | B | so | 1 | PCE | RCF 1R0 OHM +5% 250MI0W |
| R993 | 70430560 | 16 | B | so | 1 | PCE | RCF 5K6 OHM +5% 250MI0W |

PART NO : 55261890

TITEL : AC EMBD IMA VIDEO BD AVR5500

| Pos | Tocom# | Pkg | M/B | St | Qty | Unit | SName |
|-------|----------|-----|-----|----|-------|------|---|
| 020 | 55182740 | | M | SO | 1 | PCE | AC ESABD IAU VIDEO BD AVR520 |
| 030 | 55188940 | | X | ud | 1 | PCE | AC SCHEMATIC VIDEO BD AVR520 OEM |
| 040 | 20290150 | | B | so | 0.015 | KG | SOLDER BAR 52SN/45PB/3SB BAR |
| 041 | 15481260 | | B | so | 0.015 | L | SLDC FLUX LRES FOAM SM32DHT-2 |
| B601 | 55179500 | 18 | B | so | 1 | PCE | LFBEAD 80.5820HM 100MHZ FB-30 HC-3580 |
| B602 | 55179500 | 18 | B | so | 1 | PCE | LFBEAD 80.5820HM 100MHZ FB-30 HC-3580 |
| B603 | 55179500 | 18 | B | so | 1 | PCE | LFBEAD 80.5820HM 100MHZ FB-30 HC-3580 |
| CN602 | 55175900 | NR | B | so | 1 | PCE | WIRECONASY UNIQUE 4P 380MM UL1007 PVC DISCRETE 26 1 |
| CN603 | 55175890 | NR | B | so | 1 | PCE | WIRECONASY UNIQUE 4P 250MM UL1007 PVC DISCRETE 26 1 |
| CP601 | 55174650 | | B | so | 1 | PCE | CONN 2.0MM 16 MA R NAT SOCKET MOLEX 35237-1610 0 0 |
| CP602 | 55123340 | | B | so | 1 | PCE | CONN 2.0MM 8 MA ST NAT LW2002P08 0 0 |
| G001 | 55244390 | NR | M | SO | 1 | PCE | WIRECONASY UNIQUE 1P 100MM UL1007 PVC DISCRETE 18 1 |
| IC607 | 55179610 | NR | B | so | 1 | PCE | IC-SPECFUNC M35013 OSD |
| IC609 | 40440440 | 00 | B | so | 1 | PCE | IC-LIN BA7046 2856 A0 00 |
| J034 | 55179510 | 18 | B | so | 1 | PCE | LFBEAD 44.16530HM 100MHZ FB-30 HC-3550 |
| J050 | 55179510 | 18 | B | so | 1 | PCE | LFBEAD 44.16530HM 100MHZ FB-30 HC-3550 |
| J051 | 55179510 | 18 | B | so | 1 | PCE | LFBEAD 44.16530HM 100MHZ FB-30 HC-3550 |
| J052 | 55179510 | 18 | B | so | 1 | PCE | LFBEAD 44.16530HM 100MHZ FB-30 HC-3550 |
| JA601 | 55149520 | | B | so | 1 | PCE | CON DIN SCKT MIX SOCKET RCA-118JP1S |
| JA602 | 55149520 | | B | so | 1 | PCE | CON DIN SCKT MIX SOCKET RCA-118JP1S |
| JA603 | 55149520 | | B | so | 1 | PCE | CON DIN SCKT MIX SOCKET RCA-118JP1S |
| JA604 | 55149520 | | B | so | 1 | PCE | CON DIN SCKT MIX SOCKET RCA-118JP1S |
| JA605 | 55149520 | | B | so | 1 | PCE | CON DIN SCKT MIX SOCKET RCA-118JP1S |
| JA606 | 55149520 | | B | so | 1 | PCE | CON DIN SCKT MIX SOCKET RCA-118JP1S |
| JA607 | 55149520 | | B | so | 1 | PCE | CON DIN SCKT MIX SOCKET RCA-118JP1S |
| X601 | 55252250 | NR | B | so | 1 | PCE | FILQZ 17M734475 HZ +30 PPM 30K0 OHM PARALLEL 22P0 F |

PART NO : 55182740

TITEL : AC ESABD IAU VIDEO BD AVR520

| Pos | Tocom# | Pkg | M/B | St | Qty | Unit | SName |
|------|----------|-----|-----|----|-----|------|---|
| 020 | 55182750 | | M | SO | 1 | PCE | AC ESABD SMD VIDEO BD AVR520 |
| 021 | 55179550 | | B | ud | 1 | PCE | AC PCB VIDEO BD 163*163 AVR520 SINGLE LAYER |
| C601 | 20268880 | 30 | B | so | 1 | PCE | CE 10U0F +20% 50.0V 85C |
| C602 | 20269080 | 30 | B | so | 1 | PCE | CE 220U0F +20% 10.0V 85C |
| C603 | 20268880 | 30 | B | so | 1 | PCE | CE 10U0F +20% 50.0V 85C |
| C604 | 20269080 | 30 | B | so | 1 | PCE | CE 220U0F +20% 10.0V 85C |
| C605 | 20268880 | 30 | B | so | 1 | PCE | CE 10U0F +20% 50.0V 85C |
| C610 | 20267830 | 30 | B | so | 1 | PCE | CE 47U0F +20% 16.0V 85C |
| C613 | 20269080 | 30 | B | so | 1 | PCE | CE 220U0F +20% 10.0V 85C |
| C614 | 20269080 | 30 | B | so | 1 | PCE | CE 220U0F +20% 10.0V 85C |
| C615 | 20252670 | 30 | B | so | 1 | PCE | CE 470U0F +20% 10.0V 85C |
| C616 | 20269080 | 30 | B | so | 1 | PCE | CE 220U0F +20% 10.0V 85C |
| C617 | 20269080 | 30 | B | so | 1 | PCE | CE 220U0F +20% 10.0V 85C |
| C621 | 20268880 | 30 | B | so | 1 | PCE | CE 10U0F +20% 50.0V 85C |
| C622 | 20269080 | 30 | B | so | 1 | PCE | CE 220U0F +20% 10.0V 85C |
| C623 | 20268880 | 30 | B | so | 1 | PCE | CE 10U0F +20% 50.0V 85C |
| C624 | 20269080 | 30 | B | so | 1 | PCE | CE 220U0F +20% 10.0V 85C |

| | | | | | | | |
|-------|----------|----|---|----|---|-----|----------------------------------|
| C625 | 20268880 | 30 | B | so | 1 | PCE | CE 10U0F +20% 50.0V 85C |
| C627 | 20268880 | 30 | B | so | 1 | PCE | CE 10U0F +20% 50.0V 85C |
| C628 | 40433090 | 30 | B | so | 1 | PCE | CE 1MI0F +20% 6.3V 85C |
| C630 | 20268850 | 30 | B | so | 1 | PCE | CE 2U2F +20% 50.0V 85C |
| C631 | 20268880 | 30 | B | so | 1 | PCE | CE 10U0F +20% 50.0V 85C |
| C633 | 20268940 | 30 | B | so | 1 | PCE | CE 100U0F +20% 10.0V 85C |
| C639 | 20268840 | 30 | B | so | 1 | PCE | CE 1U0F +20% 50.0V 85C |
| C647 | 40433090 | 30 | B | so | 1 | PCE | CE 1MI0F +20% 6.3V 85C |
| C650 | 20252670 | 30 | B | so | 1 | PCE | CE 470U0F +20% 10.0V 85C |
| C651 | 20252670 | 30 | B | so | 1 | PCE | CE 470U0F +20% 10.0V 85C |
| C652 | 20252670 | 30 | B | so | 1 | PCE | CE 470U0F +20% 10.0V 85C |
| C653 | 20252670 | 30 | B | so | 1 | PCE | CE 470U0F +20% 10.0V 85C |
| C660 | 20269080 | 30 | B | so | 1 | PCE | CE 220U0F +20% 10.0V 85C |
| C661 | 20267830 | 30 | B | so | 1 | PCE | CE 47U0F +20% 16.0V 85C |
| C662 | 40433090 | 30 | B | so | 1 | PCE | CE 1MI0F +20% 6.3V 85C |
| C663 | 40433090 | 30 | B | so | 1 | PCE | CE 1MI0F +20% 6.3V 85C |
| C664 | 20252670 | 30 | B | so | 1 | PCE | CE 470U0F +20% 10.0V 85C |
| C665 | 20252670 | 30 | B | so | 1 | PCE | CE 470U0F +20% 10.0V 85C |
| C666 | 20269080 | 30 | B | so | 1 | PCE | CE 220U0F +20% 10.0V 85C |
| C671 | 20268960 | 30 | B | so | 1 | PCE | CE 330N0F +20% 50.0V 85C |
| C672 | 20268940 | 30 | B | so | 1 | PCE | CE 100U0F +20% 10.0V 85C |
| C675 | 20268840 | 30 | B | so | 1 | PCE | CE 1U0F +20% 50.0V 85C |
| C678 | 40433350 | 71 | B | so | 1 | PCE | CC 18P0F +5% -5% 50.0V NP0 |
| C679 | 20269080 | 30 | B | so | 1 | PCE | CE 220U0F +20% 10.0V 85C |
| C682 | 20268940 | 30 | B | so | 1 | PCE | CE 100U0F +20% 10.0V 85C |
| C683 | 80434590 | 71 | B | so | 1 | PCE | CC 22P0F +5% -5% 50.0V NP0 |
| C684 | 80434590 | 71 | B | so | 1 | PCE | CC 22P0F +5% -5% 50.0V NP0 |
| C685 | 20268940 | 30 | B | so | 1 | PCE | CE 100U0F +20% 10.0V 85C |
| C687 | 20268940 | 30 | B | so | 1 | PCE | CE 100U0F +20% 10.0V 85C |
| C691 | 20268840 | 30 | B | so | 1 | PCE | CE 1U0F +20% 50.0V 85C |
| C698 | 20267830 | 30 | B | so | 1 | PCE | CE 47U0F +20% 16.0V 85C |
| C699 | 20267830 | 30 | B | so | 1 | PCE | CE 47U0F +20% 16.0V 85C |
| CC601 | 20268880 | 30 | B | so | 1 | PCE | CE 10U0F +20% 50.0V 85C |
| CC603 | 20268880 | 30 | B | so | 1 | PCE | CE 10U0F +20% 50.0V 85C |
| CC606 | 20268880 | 30 | B | so | 1 | PCE | CE 10U0F +20% 50.0V 85C |
| CF601 | 20268880 | 30 | B | so | 1 | PCE | CE 10U0F +20% 50.0V 85C |
| CF602 | 20268880 | 30 | B | so | 1 | PCE | CE 10U0F +20% 50.0V 85C |
| CF604 | 20269080 | 30 | B | so | 1 | PCE | CE 220U0F +20% 10.0V 85C |
| CF605 | 20268880 | 30 | B | so | 1 | PCE | CE 10U0F +20% 50.0V 85C |
| CF611 | 20269080 | 30 | B | so | 1 | PCE | CE 220U0F +20% 10.0V 85C |
| CF612 | 20268880 | 30 | B | so | 1 | PCE | CE 10U0F +20% 50.0V 85C |
| CS607 | 20268880 | 30 | B | so | 1 | PCE | CE 10U0F +20% 50.0V 85C |
| L601 | 55179350 | 16 | B | ud | 1 | PCE | LF 22U0H +10% 3.4 OHM 130.0A |
| L602 | 55179350 | 16 | B | ud | 1 | PCE | LF 22U0H +10% 3.4 OHM 130.0A |
| L603 | 55179350 | 16 | B | ud | 1 | PCE | LF 22U0H +10% 3.4 OHM 130.0A |
| Q602 | 55157120 | 56 | B | so | 1 | PCE | TR-SLPLF KTC2874 A N 300MI0A 20V |
| Q602 | 55179210 | 56 | B | so | 0 | PCE | TR-SLPSWA KTC2874 B N |
| Q603 | 55157120 | 56 | B | so | 1 | PCE | TR-SLPLF KTC2874 A N 300MI0A 20V |
| Q603 | 55179210 | 56 | B | so | 0 | PCE | TR-SLPSWA KTC2874 B N |
| Q604 | 55157120 | 56 | B | so | 1 | PCE | TR-SLPLF KTC2874 A N 300MI0A 20V |
| Q604 | 55179210 | 56 | B | so | 0 | PCE | TR-SLPSWA KTC2874 B N |
| Q605 | 55101930 | 56 | B | so | 1 | PCE | TR-SLPLF 2SA933ASR P -3.0A -20V |
| Q609 | 55157120 | 56 | B | so | 1 | PCE | TR-SLPLF KTC2874 A N 300MI0A 20V |

| | | | | | | | |
|------|----------|----|---|----|---|-----|-----------------------------------|
| Q609 | 55179210 | 56 | B | so | 0 | PCE | TR-SLPSWA KTC2874 B N |
| Q610 | 55133290 | 56 | B | so | 1 | PCE | TR-SLPLF KTD1302 B N 300MIOA 20V |
| Q614 | 55133250 | 56 | B | so | 1 | PCE | TR-SLPLF 2SC1740S R N 150MIOA 50V |
| Q615 | 55157120 | 56 | B | so | 1 | PCE | TR-SLPLF KTC2874 A N 300MIOA 20V |
| Q615 | 55179210 | 56 | B | so | 0 | PCE | TR-SLPSWA KTC2874 B N |
| Q616 | 55157120 | 56 | B | so | 1 | PCE | TR-SLPLF KTC2874 A N 300MIOA 20V |
| Q616 | 55179210 | 56 | B | so | 0 | PCE | TR-SLPSWA KTC2874 B N |
| Q619 | 55133250 | 56 | B | so | 1 | PCE | TR-SLPLF 2SC1740S R N 150MIOA 50V |
| Q620 | 55101930 | 56 | B | so | 1 | PCE | TR-SLPLF 2SA933ASR P -3.0A -20V |
| Q621 | 55101930 | 56 | B | so | 1 | PCE | TR-SLPLF 2SA933ASR P -3.0A -20V |
| Q622 | 55101930 | 56 | B | so | 1 | PCE | TR-SLPLF 2SA933ASR P -3.0A -20V |
| Q623 | 55101930 | 56 | B | so | 1 | PCE | TR-SLPLF 2SA933ASR P -3.0A -20V |
| R617 | 11059640 | 16 | B | so | 1 | PCE | RCF 1K0 OHM +5% 250MIOW |
| R619 | 11059640 | 16 | B | so | 1 | PCE | RCF 1K0 OHM +5% 250MIOW |
| R640 | 20469460 | 16 | B | so | 1 | PCE | RCF 2K2 OHM +5% 250MIOW |
| R674 | 11059640 | 16 | B | so | 1 | PCE | RCF 1K0 OHM +5% 250MIOW |
| R686 | 50883030 | 16 | B | so | 1 | PCE | RCF 150K0 OHM +5% 250MIOW |
| R695 | 60441550 | 16 | B | so | 1 | PCE | RCF 330R0 OHM +5% 250MIOW |

PART NO : 55182750

TITEL : AC ESABD SMD VIDEO BD AVR520

| Pos | Tocom# | Pkg | M/B | St | Qty | Unit | SName |
|-------|----------|-----|-----|----|-----|------|------------------------------------|
| C608 | 11058670 | 91 | B | so | 1 | PCE | CCCFMIN 100P0F +5% -5% 50.0V NP0 |
| C609 | 11058670 | 91 | B | so | 1 | PCE | CCCFMIN 100P0F +5% -5% 50.0V NP0 |
| C611 | 11058670 | 91 | B | so | 1 | PCE | CCCFMIN 100P0F +5% -5% 50.0V NP0 |
| C612 | 11058670 | 91 | B | so | 1 | PCE | CCCFMIN 100P0F +5% -5% 50.0V NP0 |
| C619 | 11058670 | 91 | B | so | 1 | PCE | CCCFMIN 100P0F +5% -5% 50.0V NP0 |
| C620 | 11058670 | 91 | B | so | 1 | PCE | CCCFMIN 100P0F +5% -5% 50.0V NP0 |
| C629 | 11059340 | 91 | B | so | 1 | PCE | CCCFMIN 10N0F +10% -10% 50.0V X7R |
| C632 | 11059340 | 91 | B | so | 1 | PCE | CCCFMIN 10N0F +10% -10% 50.0V X7R |
| C637 | 11058670 | 91 | B | so | 1 | PCE | CCCFMIN 100P0F +5% -5% 50.0V NP0 |
| C638 | 11058670 | 91 | B | so | 1 | PCE | CCCFMIN 100P0F +5% -5% 50.0V NP0 |
| C640 | 11058670 | 91 | B | so | 1 | PCE | CCCFMIN 100P0F +5% -5% 50.0V NP0 |
| C641 | 11058670 | 91 | B | so | 1 | PCE | CCCFMIN 100P0F +5% -5% 50.0V NP0 |
| C642 | 11058670 | 91 | B | so | 1 | PCE | CCCFMIN 100P0F +5% -5% 50.0V NP0 |
| C657 | 20267290 | 91 | B | so | 1 | PCE | CCCFMIN 100N0F +80% -20% 50.0V Y5V |
| C658 | 11058670 | 91 | B | so | 1 | PCE | CCCFMIN 100P0F +5% -5% 50.0V NP0 |
| C659 | 11058670 | 91 | B | so | 1 | PCE | CCCFMIN 100P0F +5% -5% 50.0V NP0 |
| C670 | 11058670 | 91 | B | so | 1 | PCE | CCCFMIN 100P0F +5% -5% 50.0V NP0 |
| C673 | 11059340 | 91 | B | so | 1 | PCE | CCCFMIN 10N0F +10% -10% 50.0V X7R |
| C674 | 40435180 | 91 | B | so | 1 | PCE | CCCFMIN 47P0F +5% -5% 50.0V NP0 |
| C676 | 50882360 | 91 | B | so | 1 | PCE | CCCFMIN 33P0F +5% -5% 50.0V NP0 |
| C681 | 11058670 | 91 | B | so | 1 | PCE | CCCFMIN 100P0F +5% -5% 50.0V NP0 |
| C686 | 11059340 | 91 | B | so | 1 | PCE | CCCFMIN 10N0F +10% -10% 50.0V X7R |
| C688 | 11059330 | 91 | B | so | 1 | PCE | CCCFMIN 2N2F +10% -10% 50.0V X7R |
| C690 | 11059320 | 91 | B | so | 1 | PCE | CCCFMIN 1N0F +10% -10% 50.0V X7R |
| C696 | 11058670 | 91 | B | so | 1 | PCE | CCCFMIN 100P0F +5% -5% 50.0V NP0 |
| C697 | 20267290 | 91 | B | so | 1 | PCE | CCCFMIN 100N0F +80% -20% 50.0V Y5V |
| CC602 | 20267290 | 91 | B | so | 1 | PCE | CCCFMIN 100N0F +80% -20% 50.0V Y5V |
| CC604 | 20267290 | 91 | B | so | 1 | PCE | CCCFMIN 100N0F +80% -20% 50.0V Y5V |
| CC607 | 20267290 | 91 | B | so | 1 | PCE | CCCFMIN 100N0F +80% -20% 50.0V Y5V |

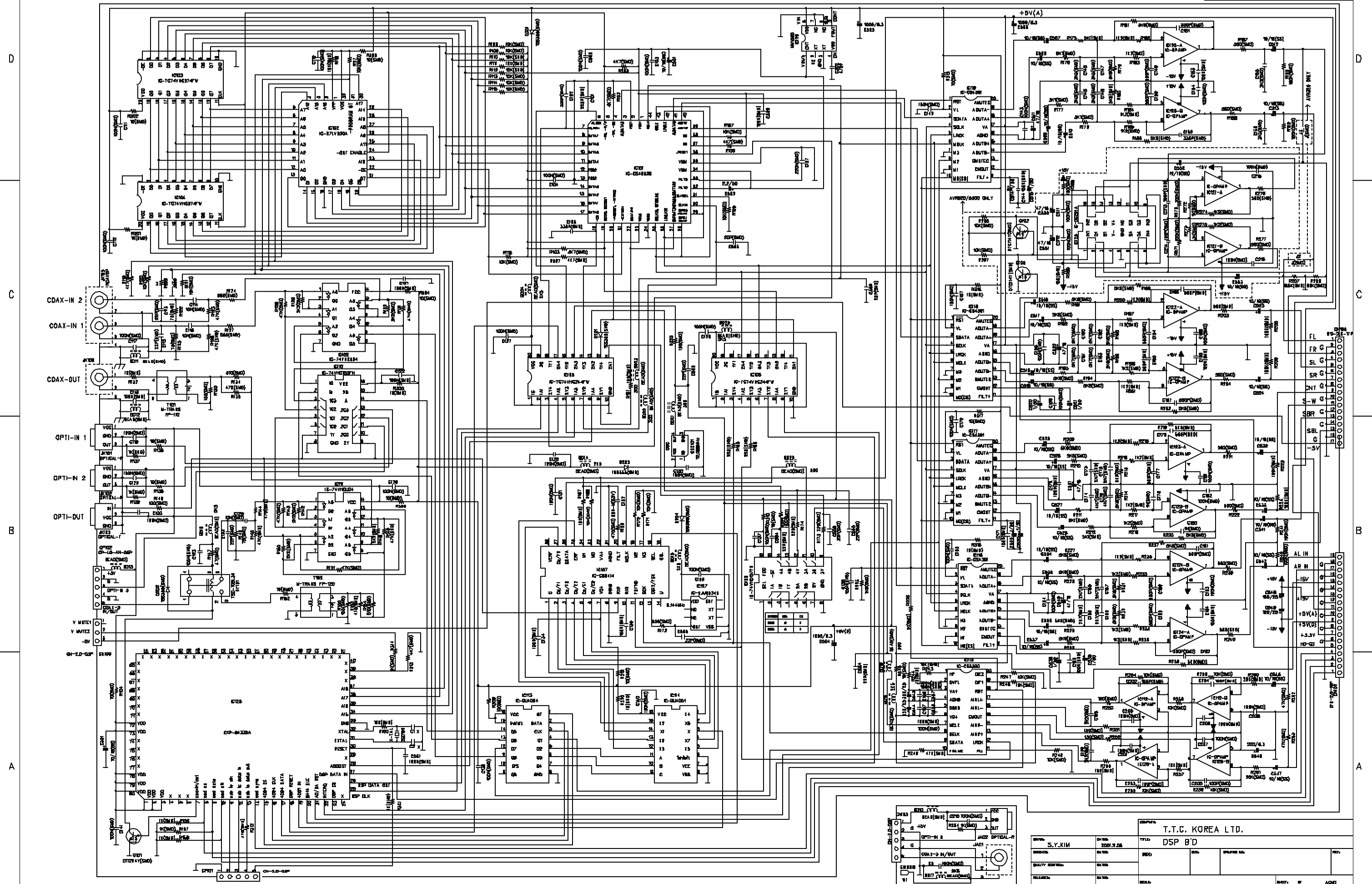
| | | | | | | | |
|-------|----------|----|---|----|---|-----|---------------------------------------|
| CC609 | 20267290 | 91 | B | so | 1 | PCE | CCCFMIN 100N0F +80% -20% 50.0V Y5V |
| CF603 | 20267290 | 91 | B | so | 1 | PCE | CCCFMIN 100N0F +80% -20% 50.0V Y5V |
| CF606 | 20267290 | 91 | B | so | 1 | PCE | CCCFMIN 100N0F +80% -20% 50.0V Y5V |
| CF608 | 11059440 | 91 | B | so | 1 | PCE | CCCFMIN 10P0F +0P25F -0P25F 50.0V NP0 |
| CF610 | 11059440 | 91 | B | so | 1 | PCE | CCCFMIN 10P0F +0P25F -0P25F 50.0V NP0 |
| CF613 | 20267290 | 91 | B | so | 1 | PCE | CCCFMIN 100N0F +80% -20% 50.0V Y5V |
| CF615 | 11059440 | 91 | B | so | 1 | PCE | CCCFMIN 10P0F +0P25F -0P25F 50.0V NP0 |
| D601 | 20496510 | NR | B | so | 1 | PCE | D-SLP 1SS355 35.0V 225MI0A |
| D602 | 20496510 | NR | B | so | 1 | PCE | D-SLP 1SS355 35.0V 225MI0A |
| D603 | 20496510 | NR | B | so | 1 | PCE | D-SLP 1SS355 35.0V 225MI0A |
| D604 | 20496510 | NR | B | so | 1 | PCE | D-SLP 1SS355 35.0V 225MI0A |
| D605 | 20496510 | NR | B | so | 1 | PCE | D-SLP 1SS355 35.0V 225MI0A |
| D606 | 20496510 | NR | B | so | 1 | PCE | D-SLP 1SS355 35.0V 225MI0A |
| D607 | 20496510 | NR | B | so | 1 | PCE | D-SLP 1SS355 35.0V 225MI0A |
| D608 | 20496510 | NR | B | so | 1 | PCE | D-SLP 1SS355 35.0V 225MI0A |
| D609 | 20496510 | NR | B | so | 1 | PCE | D-SLP 1SS355 35.0V 225MI0A |
| D611 | 20496510 | NR | B | so | 1 | PCE | D-SLP 1SS355 35.0V 225MI0A |
| D612 | 20496510 | NR | B | so | 1 | PCE | D-SLP 1SS355 35.0V 225MI0A |
| D613 | 20496510 | NR | B | so | 1 | PCE | D-SLP 1SS355 35.0V 225MI0A |
| D614 | 20496510 | NR | B | so | 1 | PCE | D-SLP 1SS355 35.0V 225MI0A |
| D615 | 20496510 | NR | B | so | 1 | PCE | D-SLP 1SS355 35.0V 225MI0A |
| IC601 | 55125370 | NR | B | so | 1 | PCE | IC-SWITCH NJM2296 SOP16 VIDEO |
| IC602 | 55125370 | NR | B | so | 1 | PCE | IC-SWITCH NJM2296 SOP16 VIDEO |
| IC603 | 55125370 | NR | B | so | 1 | PCE | IC-SWITCH NJM2296 SOP16 VIDEO |
| IC605 | 20718660 | 65 | B | so | 1 | PCE | IC-LOGIC BU4094BF SHIFT REGISTER CMOS |
| IC606 | 20718660 | 65 | B | so | 1 | PCE | IC-LOGIC BU4094BF SHIFT REGISTER CMOS |
| IC608 | 20718770 | 65 | B | so | 1 | PCE | IC-LOGIC BU4053BF MULTIPLEXER CMOS |
| J025 | 80440510 | 91 | B | so | 1 | PCE | RMGCFMIN 0 OHM +0% 100MI0W |
| J031 | 80440510 | 91 | B | so | 1 | PCE | RMGCFMIN 0 OHM +0% 100MI0W |
| J032 | 80440510 | 91 | B | so | 1 | PCE | RMGCFMIN 0 OHM +0% 100MI0W |
| J033 | 80440510 | 91 | B | so | 1 | PCE | RMGCFMIN 0 OHM +0% 100MI0W |
| J040 | 80440510 | 91 | B | so | 1 | PCE | RMGCFMIN 0 OHM +0% 100MI0W |
| J045 | 80440510 | 91 | B | so | 1 | PCE | RMGCFMIN 0 OHM +0% 100MI0W |
| J058 | 80440510 | 91 | B | so | 1 | PCE | RMGCFMIN 0 OHM +0% 100MI0W |
| J063 | 80440510 | 91 | B | so | 1 | PCE | RMGCFMIN 0 OHM +0% 100MI0W |
| J072 | 80440510 | 91 | B | so | 1 | PCE | RMGCFMIN 0 OHM +0% 100MI0W |
| J073 | 80440510 | 91 | B | so | 1 | PCE | RMGCFMIN 0 OHM +0% 100MI0W |
| J076 | 80440510 | 91 | B | so | 1 | PCE | RMGCFMIN 0 OHM +0% 100MI0W |
| J077 | 80440510 | 91 | B | so | 1 | PCE | RMGCFMIN 0 OHM +0% 100MI0W |
| J079 | 80440510 | 91 | B | so | 1 | PCE | RMGCFMIN 0 OHM +0% 100MI0W |
| J081 | 80440510 | 91 | B | so | 1 | PCE | RMGCFMIN 0 OHM +0% 100MI0W |
| J083 | 80440510 | 91 | B | so | 1 | PCE | RMGCFMIN 0 OHM +0% 100MI0W |
| J086 | 80440510 | 91 | B | so | 1 | PCE | RMGCFMIN 0 OHM +0% 100MI0W |
| J089 | 80440510 | 91 | B | so | 1 | PCE | RMGCFMIN 0 OHM +0% 100MI0W |
| J090 | 80440510 | 91 | B | so | 1 | PCE | RMGCFMIN 0 OHM +0% 100MI0W |
| J091 | 80440510 | 91 | B | so | 1 | PCE | RMGCFMIN 0 OHM +0% 100MI0W |
| J099 | 80440510 | 91 | B | so | 1 | PCE | RMGCFMIN 0 OHM +0% 100MI0W |
| J101 | 80440510 | 91 | B | so | 1 | PCE | RMGCFMIN 0 OHM +0% 100MI0W |
| J116 | 80440510 | 91 | B | so | 1 | PCE | RMGCFMIN 0 OHM +0% 100MI0W |
| J121 | 80440510 | 91 | B | so | 1 | PCE | RMGCFMIN 0 OHM +0% 100MI0W |
| Q601 | 55051240 | 92 | B | so | 0 | PCE | TR-SSD KRC107S N 10K0 OHM 47K0 OHM |
| Q601 | 55133180 | 92 | B | so | 1 | PCE | TR-SSD DTC114YKA N 10K0 OHM 47K0 OHM |
| Q606 | 55051260 | 92 | B | so | 0 | PCE | TR-SSD KRA107S P 10K0 OHM 47K0 OHM |

| | | | | | | | |
|------|----------|----|---|----|---|-----|--------------------------------------|
| Q606 | 55133190 | 92 | B | so | 1 | PCE | TR-SSD DTA114YKA P 10K0 OHM 47K0 OHM |
| Q607 | 55051240 | 92 | B | so | 0 | PCE | TR-SSD KRC107S N 10K0 OHM 47K0 OHM |
| Q607 | 55133180 | 92 | B | so | 1 | PCE | TR-SSD DTC114YKA N 10K0 OHM 47K0 OHM |
| Q608 | 55051260 | 92 | B | so | 0 | PCE | TR-SSD KRA107S P 10K0 OHM 47K0 OHM |
| Q608 | 55133190 | 92 | B | so | 1 | PCE | TR-SSD DTA114YKA P 10K0 OHM 47K0 OHM |
| Q611 | 55051240 | 92 | B | so | 0 | PCE | TR-SSD KRC107S N 10K0 OHM 47K0 OHM |
| Q611 | 55133180 | 92 | B | so | 1 | PCE | TR-SSD DTC114YKA N 10K0 OHM 47K0 OHM |
| Q613 | 55051240 | 92 | B | so | 0 | PCE | TR-SSD KRC107S N 10K0 OHM 47K0 OHM |
| Q613 | 55133180 | 92 | B | so | 1 | PCE | TR-SSD DTC114YKA N 10K0 OHM 47K0 OHM |
| R608 | 30944270 | 91 | B | so | 1 | PCE | RMGCFMIN 68R0 OHM +5% 100MIOW |
| R609 | 80440410 | 91 | B | so | 1 | PCE | RMGCFMIN 7K5 OHM +5% 100MIOW |
| R610 | 11066440 | 91 | B | so | 1 | PCE | RMGCFMIN 3K3 OHM +5% 100MIOW |
| R612 | 80440410 | 91 | B | so | 1 | PCE | RMGCFMIN 7K5 OHM +5% 100MIOW |
| R613 | 11066440 | 91 | B | so | 1 | PCE | RMGCFMIN 3K3 OHM +5% 100MIOW |
| R614 | 30944270 | 91 | B | so | 1 | PCE | RMGCFMIN 68R0 OHM +5% 100MIOW |
| R615 | 20471990 | 91 | B | so | 1 | PCE | RMGCFMIN 12K0 OHM +5% 100MIOW |
| R618 | 20471950 | 91 | B | so | 1 | PCE | RMGCFMIN 1K0 OHM +5% 100MIOW |
| R621 | 50886610 | 91 | B | so | 1 | PCE | RMGCFMIN 10K0 OHM +5% 100MIOW |
| R622 | 50886610 | 91 | B | so | 1 | PCE | RMGCFMIN 10K0 OHM +5% 100MIOW |
| R623 | 50886610 | 91 | B | so | 1 | PCE | RMGCFMIN 10K0 OHM +5% 100MIOW |
| R624 | 50886610 | 91 | B | so | 1 | PCE | RMGCFMIN 10K0 OHM +5% 100MIOW |
| R625 | 50886610 | 91 | B | so | 1 | PCE | RMGCFMIN 10K0 OHM +5% 100MIOW |
| R626 | 50886610 | 91 | B | so | 1 | PCE | RMGCFMIN 10K0 OHM +5% 100MIOW |
| R627 | 50886610 | 91 | B | so | 1 | PCE | RMGCFMIN 10K0 OHM +5% 100MIOW |
| R628 | 50886610 | 91 | B | so | 1 | PCE | RMGCFMIN 10K0 OHM +5% 100MIOW |
| R629 | 50886610 | 91 | B | so | 1 | PCE | RMGCFMIN 10K0 OHM +5% 100MIOW |
| R632 | 90574370 | 91 | B | so | 1 | PCE | RMGCFMIN 82R0 OHM +5% 100MIOW |
| R633 | 30944270 | 91 | B | so | 1 | PCE | RMGCFMIN 68R0 OHM +5% 100MIOW |
| R634 | 50886630 | 91 | B | so | 1 | PCE | RMGCFMIN 100K0 OHM +5% 100MIOW |
| R635 | 20471950 | 91 | B | so | 1 | PCE | RMGCFMIN 1K0 OHM +5% 100MIOW |
| R636 | 20471950 | 91 | B | so | 1 | PCE | RMGCFMIN 1K0 OHM +5% 100MIOW |
| R637 | 20471950 | 91 | B | so | 1 | PCE | RMGCFMIN 1K0 OHM +5% 100MIOW |
| R638 | 80440420 | 91 | B | so | 1 | PCE | RMGCFMIN 33K0 OHM +5% 100MIOW |
| R639 | 30944270 | 91 | B | so | 1 | PCE | RMGCFMIN 68R0 OHM +5% 100MIOW |
| R641 | 50886630 | 91 | B | so | 1 | PCE | RMGCFMIN 100K0 OHM +5% 100MIOW |
| R642 | 20471950 | 91 | B | so | 1 | PCE | RMGCFMIN 1K0 OHM +5% 100MIOW |
| R643 | 11066480 | 91 | B | so | 1 | PCE | RMGCFMIN 47K0 OHM +5% 100MIOW |
| R644 | 20471950 | 91 | B | so | 1 | PCE | RMGCFMIN 1K0 OHM +5% 100MIOW |
| R650 | 80440410 | 91 | B | so | 1 | PCE | RMGCFMIN 7K5 OHM +5% 100MIOW |
| R651 | 20471950 | 91 | B | so | 1 | PCE | RMGCFMIN 1K0 OHM +5% 100MIOW |
| R652 | 11066440 | 91 | B | so | 1 | PCE | RMGCFMIN 3K3 OHM +5% 100MIOW |
| R653 | 30944270 | 91 | B | so | 1 | PCE | RMGCFMIN 68R0 OHM +5% 100MIOW |
| R661 | 80440510 | 91 | B | so | 1 | PCE | RMGCFMIN 0 OHM +0% 100MIOW |
| R662 | 80440510 | 91 | B | so | 1 | PCE | RMGCFMIN 0 OHM +0% 100MIOW |
| R665 | 50886610 | 91 | B | so | 1 | PCE | RMGCFMIN 10K0 OHM +5% 100MIOW |
| R666 | 80440430 | 91 | B | so | 1 | PCE | RMGCFMIN 43K0 OHM +5% 100MIOW |
| R670 | 80440510 | 91 | B | so | 1 | PCE | RMGCFMIN 0 OHM +0% 100MIOW |
| R677 | 20471950 | 91 | B | so | 1 | PCE | RMGCFMIN 1K0 OHM +5% 100MIOW |
| R678 | 20471950 | 91 | B | so | 1 | PCE | RMGCFMIN 1K0 OHM +5% 100MIOW |
| R679 | 20471950 | 91 | B | so | 1 | PCE | RMGCFMIN 1K0 OHM +5% 100MIOW |
| R680 | 40438300 | 91 | B | so | 1 | PCE | RMGCFMIN 6K8 OHM +5% 100MIOW |
| R681 | 80440390 | 91 | B | so | 1 | PCE | RMGCFMIN 2K2 OHM +5% 100MIOW |
| R682 | 50886610 | 91 | B | so | 1 | PCE | RMGCFMIN 10K0 OHM +5% 100MIOW |

| | | | | | | | |
|-------|----------|----|---|----|---|-----|--------------------------------|
| R683 | 11066460 | 91 | B | so | 1 | PCE | RMGCFMIN 8K2 OHM +5% 100MIOW |
| R684 | 11066500 | 91 | B | so | 1 | PCE | RMGCFMIN 68K0 OHM +5% 100MIOW |
| R685 | 70434200 | 91 | B | so | 1 | PCE | RMGCFMIN 100R0 OHM +5% 100MIOW |
| R687 | 60444420 | 91 | B | so | 1 | PCE | RMGCFMIN 150K0 OHM +5% 100MIOW |
| R688 | 50886670 | 91 | B | so | 1 | PCE | RMGCFMIN 1M0 OHM +5% 100MIOW |
| R689 | 60444370 | 91 | B | so | 1 | PCE | RMGCFMIN 180R0 OHM +5% 100MIOW |
| R690 | 30944270 | 91 | B | so | 1 | PCE | RMGCFMIN 68R0 OHM +5% 100MIOW |
| R691 | 30944250 | 91 | B | so | 1 | PCE | RMGCFMIN 10R0 OHM +5% 100MIOW |
| R692 | 80440510 | 91 | B | so | 1 | PCE | RMGCFMIN 0 OHM +0% 100MIOW |
| R693 | 60444370 | 91 | B | so | 1 | PCE | RMGCFMIN 180R0 OHM +5% 100MIOW |
| R694 | 50886670 | 91 | B | so | 1 | PCE | RMGCFMIN 1M0 OHM +5% 100MIOW |
| R696 | 40438350 | 91 | B | so | 1 | PCE | RMGCFMIN 470K0 OHM +5% 100MIOW |
| R697 | 40438350 | 91 | B | so | 1 | PCE | RMGCFMIN 470K0 OHM +5% 100MIOW |
| R698 | 50886610 | 91 | B | so | 1 | PCE | RMGCFMIN 10K0 OHM +5% 100MIOW |
| R699 | 20471990 | 91 | B | so | 1 | PCE | RMGCFMIN 12K0 OHM +5% 100MIOW |
| RC601 | 30944250 | 91 | B | so | 1 | PCE | RMGCFMIN 10R0 OHM +5% 100MIOW |
| RC602 | 90574370 | 91 | B | so | 1 | PCE | RMGCFMIN 82R0 OHM +5% 100MIOW |
| RC603 | 30944250 | 91 | B | so | 1 | PCE | RMGCFMIN 10R0 OHM +5% 100MIOW |
| RC604 | 90574370 | 91 | B | so | 1 | PCE | RMGCFMIN 82R0 OHM +5% 100MIOW |
| RC606 | 90574370 | 91 | B | so | 1 | PCE | RMGCFMIN 82R0 OHM +5% 100MIOW |
| RC607 | 90574370 | 91 | B | so | 1 | PCE | RMGCFMIN 82R0 OHM +5% 100MIOW |
| RC608 | 30944250 | 91 | B | so | 1 | PCE | RMGCFMIN 10R0 OHM +5% 100MIOW |
| RC609 | 30944250 | 91 | B | so | 1 | PCE | RMGCFMIN 10R0 OHM +5% 100MIOW |
| RC610 | 90574370 | 91 | B | so | 1 | PCE | RMGCFMIN 82R0 OHM +5% 100MIOW |
| RC612 | 90574370 | 91 | B | so | 1 | PCE | RMGCFMIN 82R0 OHM +5% 100MIOW |
| RC614 | 30944270 | 91 | B | so | 1 | PCE | RMGCFMIN 68R0 OHM +5% 100MIOW |
| RF601 | 80440370 | 91 | B | so | 1 | PCE | RMGCFMIN 150R0 OHM +5% 100MIOW |
| RF602 | 30944250 | 91 | B | so | 1 | PCE | RMGCFMIN 10R0 OHM +5% 100MIOW |
| RF603 | 80440370 | 91 | B | so | 1 | PCE | RMGCFMIN 150R0 OHM +5% 100MIOW |
| RF604 | 30944250 | 91 | B | so | 1 | PCE | RMGCFMIN 10R0 OHM +5% 100MIOW |
| RF606 | 50886610 | 91 | B | so | 1 | PCE | RMGCFMIN 10K0 OHM +5% 100MIOW |
| RF608 | 50886610 | 91 | B | so | 1 | PCE | RMGCFMIN 10K0 OHM +5% 100MIOW |
| RF610 | 50886610 | 91 | B | so | 1 | PCE | RMGCFMIN 10K0 OHM +5% 100MIOW |
| RF611 | 80440370 | 91 | B | so | 1 | PCE | RMGCFMIN 150R0 OHM +5% 100MIOW |
| RF612 | 30944250 | 91 | B | so | 1 | PCE | RMGCFMIN 10R0 OHM +5% 100MIOW |
| RF615 | 30944260 | 91 | B | so | 1 | PCE | RMGCFMIN 22R0 OHM +5% 100MIOW |
| RF616 | 30944260 | 91 | B | so | 1 | PCE | RMGCFMIN 22R0 OHM +5% 100MIOW |
| RF617 | 30944260 | 91 | B | so | 1 | PCE | RMGCFMIN 22R0 OHM +5% 100MIOW |
| RS602 | 90574370 | 91 | B | so | 1 | PCE | RMGCFMIN 82R0 OHM +5% 100MIOW |
| RS603 | 90574370 | 91 | B | so | 1 | PCE | RMGCFMIN 82R0 OHM +5% 100MIOW |
| RS605 | 90574370 | 91 | B | so | 1 | PCE | RMGCFMIN 82R0 OHM +5% 100MIOW |
| RS606 | 90574370 | 91 | B | so | 1 | PCE | RMGCFMIN 82R0 OHM +5% 100MIOW |
| RS608 | 90574370 | 91 | B | so | 1 | PCE | RMGCFMIN 82R0 OHM +5% 100MIOW |
| RS609 | 90574370 | 91 | B | so | 1 | PCE | RMGCFMIN 82R0 OHM +5% 100MIOW |
| RS611 | 90574370 | 91 | B | so | 1 | PCE | RMGCFMIN 82R0 OHM +5% 100MIOW |
| RS612 | 90574370 | 91 | B | so | 1 | PCE | RMGCFMIN 82R0 OHM +5% 100MIOW |
| RS620 | 90574370 | 91 | B | so | 1 | PCE | RMGCFMIN 82R0 OHM +5% 100MIOW |
| RS621 | 90574370 | 91 | B | so | 1 | PCE | RMGCFMIN 82R0 OHM +5% 100MIOW |
| RS622 | 90574370 | 91 | B | so | 1 | PCE | RMGCFMIN 82R0 OHM +5% 100MIOW |
| RS623 | 90574370 | 91 | B | so | 1 | PCE | RMGCFMIN 82R0 OHM +5% 100MIOW |

SCHEMATIC DIAGRAM AVR320/520/4500/5500 DSP B'D

| REV | DATE | BY | CHKD |
|-----|------|----|------|
| | | | |
| | | | |



| | | | |
|-----------|---------|------|-----------|
| DESIGNER | S.Y.KIM | DATE | 2008.3.28 |
| DRWG. NO. | | REV. | |
| SCALE | | | |

T.T.C. KOREA LTD.
DSP B'D

6

5

4

3

2

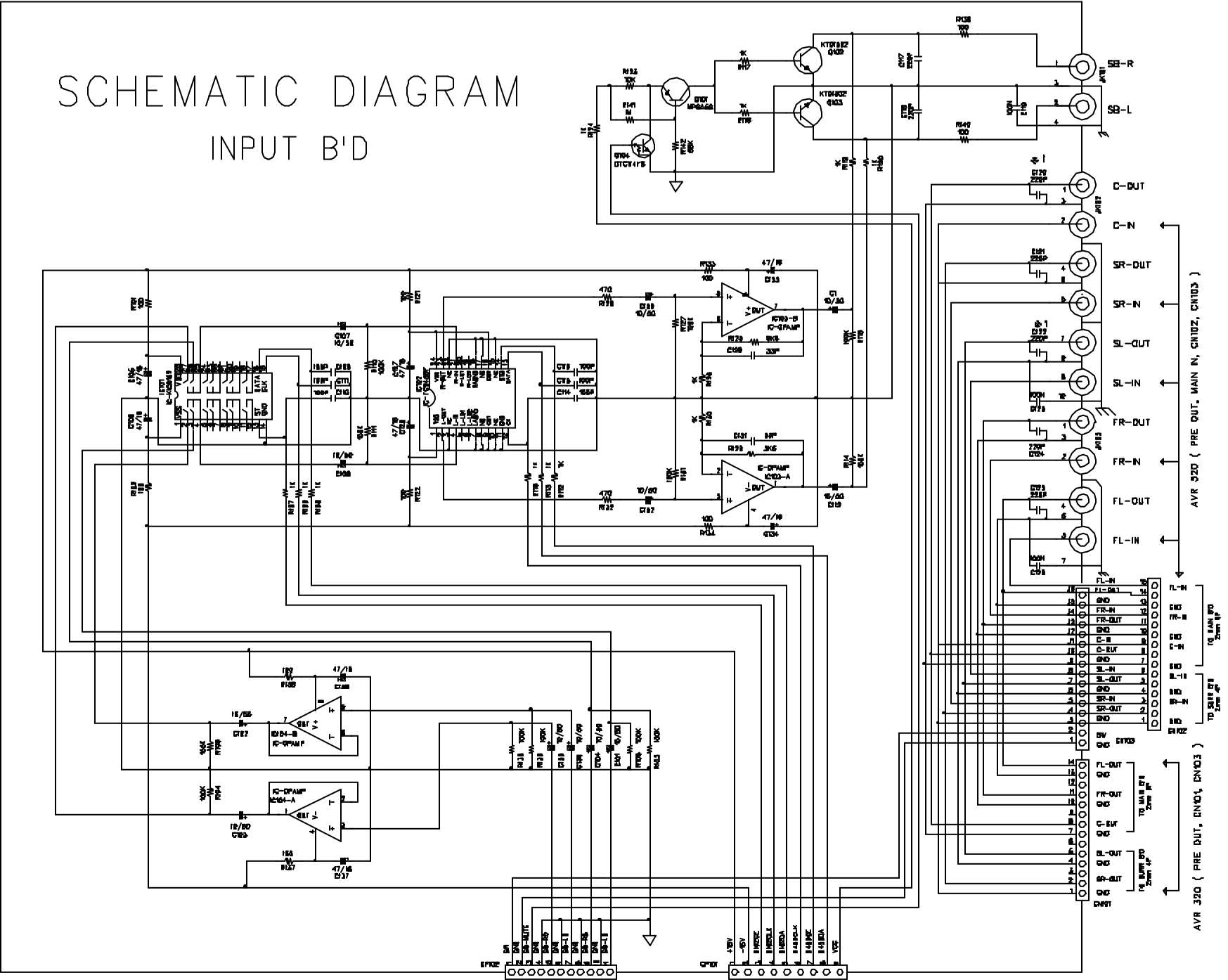
1

| REVISION RECORD | | | |
|-----------------|----------|----------|------|
| LTR | ISS. NO. | APPROVED | DATE |
| | | | |
| | | | |

SCHEMATIC DIAGRAM
INPUT B'D

* 1 OPTION

| VERSION | ILL / CDA | CC / CD |
|---------------|-----------|---------|
| 001 / 0101270 | X | 0 |
| 002 / 0127274 | | |



| | | | | | |
|------------------|---------|-----------------------------|-------------|--------------|--|
| COMPANY: | | T.T.C. KOREA LTD. | | | |
| TITLE: | | AVR520/320 /4500/5500 INPUT | | | |
| DRAWN BY: | W.S.SED | DATE: | 2001.09.18. | CODE: | |
| CHECKING BY: | S.Y.KIM | DATE: | 2001.11.08. | SIZE: | |
| QUALITY CONTROL: | | DATE: | | DRAWING NO.: | |
| REVISION: | | DATE: | | REV.: | |
| SCALE: | | SHEET: 01 | | | |

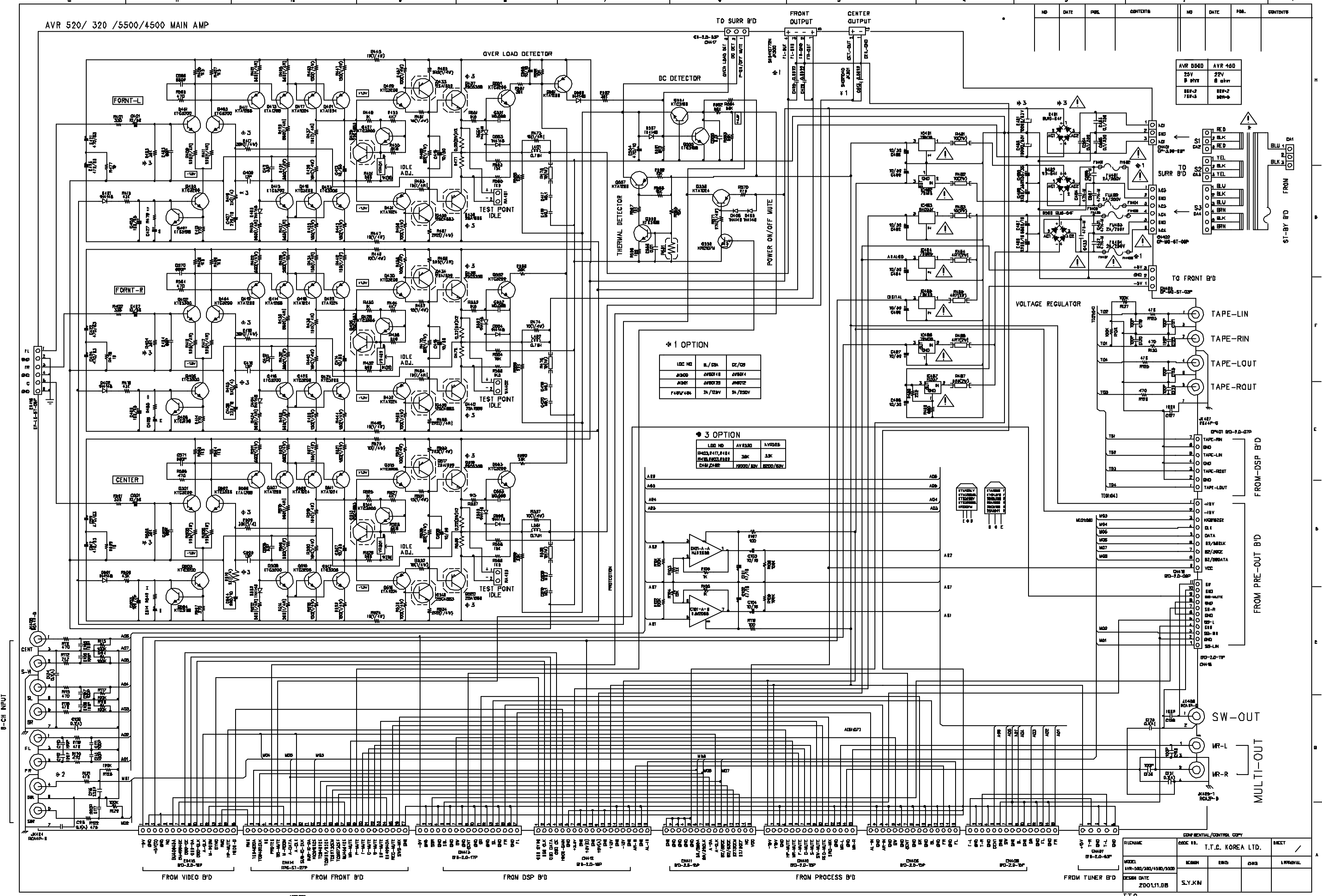
D
C
B
A

D
C
B
A

AVR 520/ 320 /5500/4500 MAIN AMP

| NO | DATE | REV. | CONTENTS | NO | DATE | REV. | CONTENTS |
|----|------|------|----------|----|------|------|----------|
| | | | | | | | |

| AVR 520/320 | AVR 400 |
|-------------|---------|
| 23V | 22V |
| 8 BYT | 8 BYT |
| REF-2 | REF-2 |
| 78P-A | 88P-B |



* 1 OPTION

| LOC. NO. | U. / C/N | DC / CR |
|-----------|----------|-----------|
| 3000 | AV50218 | AV50214 |
| 3001 | AV50223 | AV50212 |
| F4001/404 | 2A / 25V | 3A / 250V |

* 3 OPTION

| LOC. NO. | AV 520 | AV 5025 |
|------------------|-------------|-------------|
| R402, R417, R418 | 5K | 5K |
| R419, R420, R421 | 10000 / 50V | 10000 / 50V |

CONFIDENTIAL/CONTROL COPY

| FILENAME | DATE | BY | APPROVAL |
|-----------------------|------------|---------|----------|
| AVR-520/320/5500/4500 | 2001.11.05 | S.Y.KIM | |

AVR320/520/4500/5500

SCHEMATIC DIAGRAM

FROM TAPE B'D
CP-LC-ST-07P
CP404

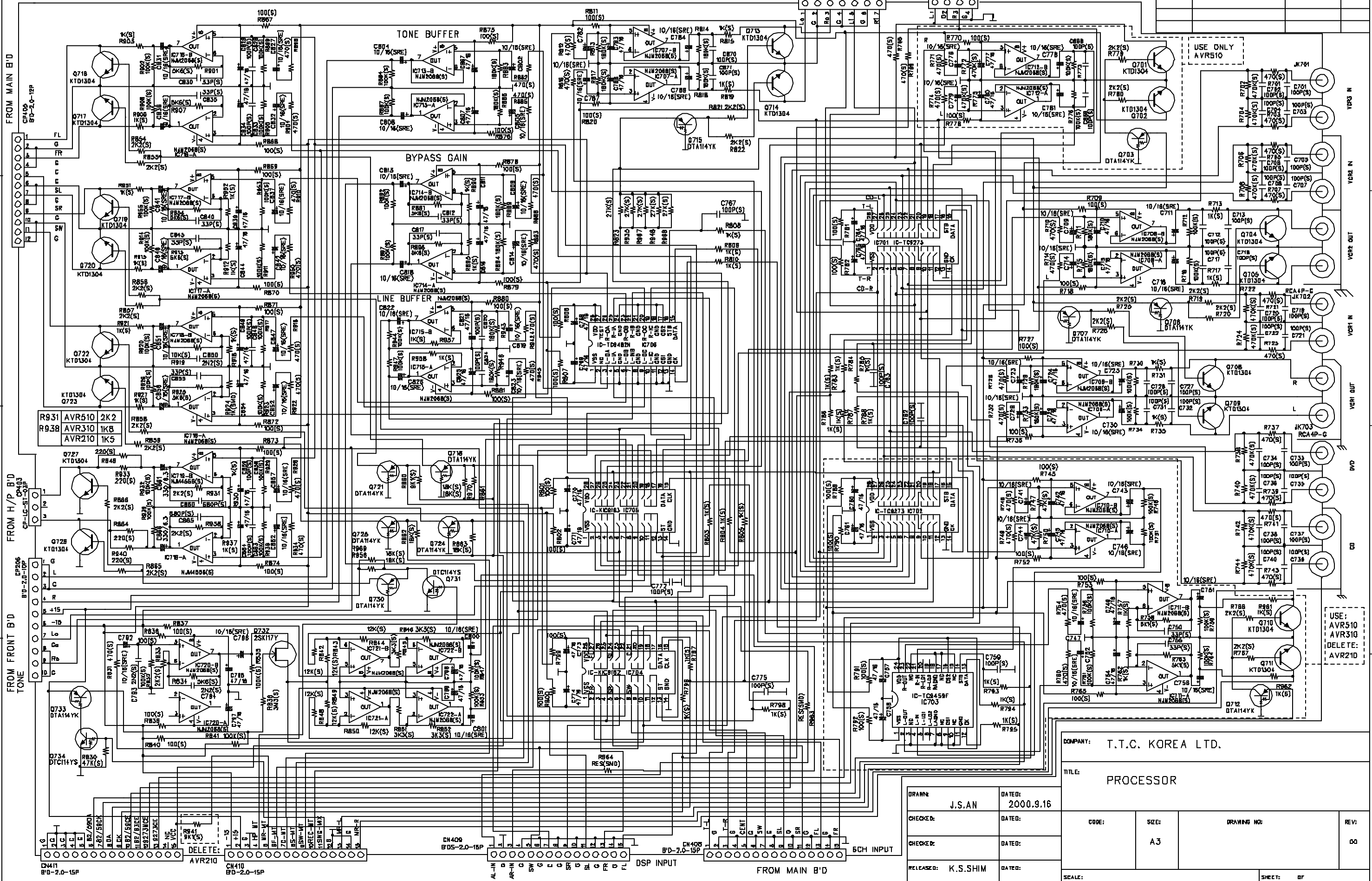
VID4 I/O
FROM FRONT B'D
CP-LC-ST-04P
CP205

MP

| REVISION RECORD | | | |
|-----------------|---------|-----------|-------|
| LTR | EDS NO. | APPROVED: | DATE: |
| | | | |
| | | | |

D
C
B
A

D
C
B
A

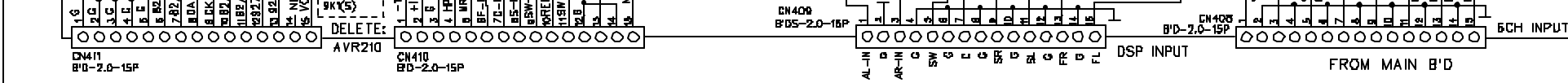


COMPANY: T.T.C. KOREA LTD.

TITLE: PROCESSOR

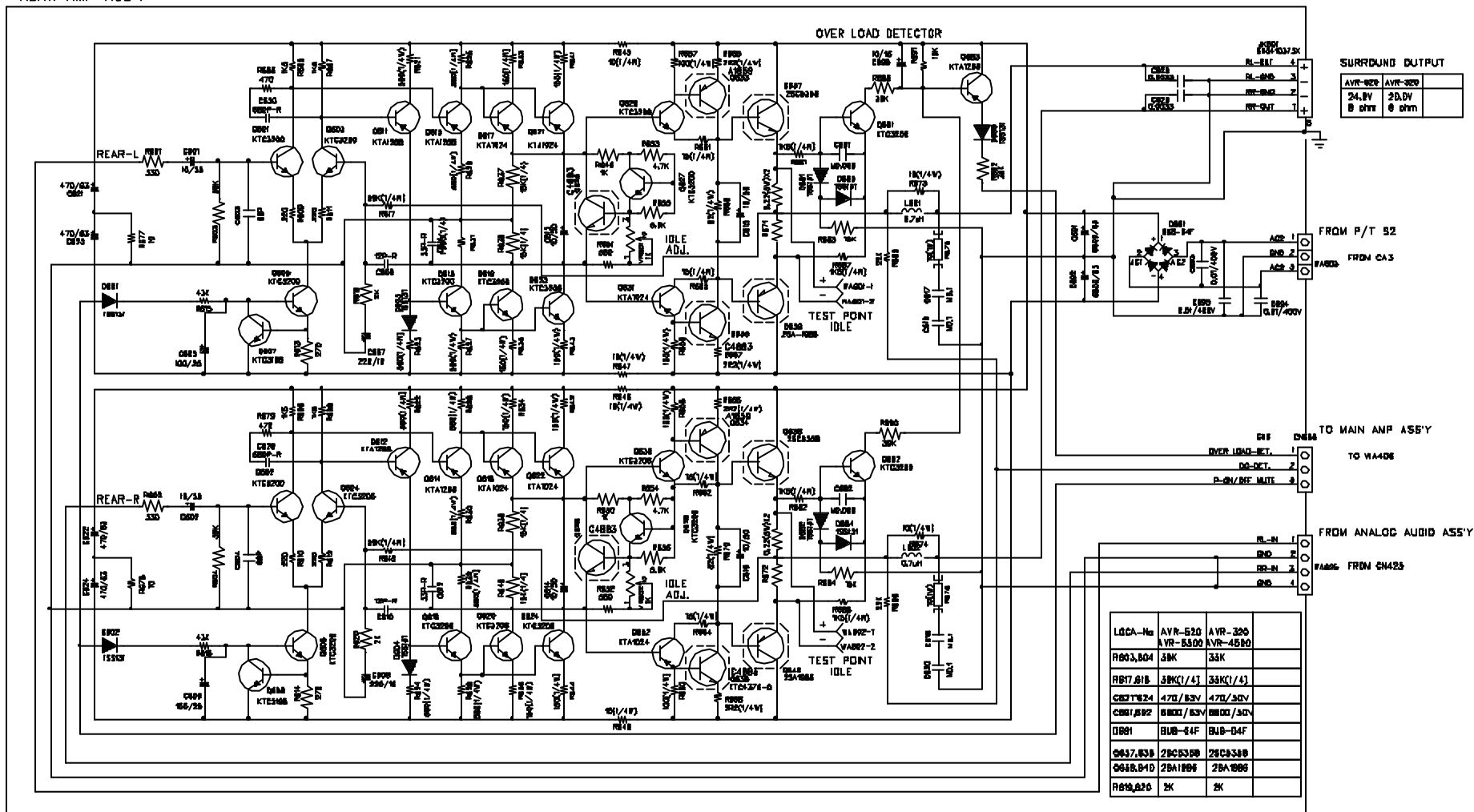
| | |
|--------------------|-----------------|
| DRAWN: J.S.AN | DATE: 2000.9.16 |
| CHECKED: | DATE: |
| CHECKED: | DATE: |
| RELEASED: K.S.SHIM | DATE: |

| | | | |
|--------|-----------|-------------|---------|
| CODE: | SIZE: A3 | DRAWING NO: | REV: 00 |
| SCALE: | SHEET: 01 | | |

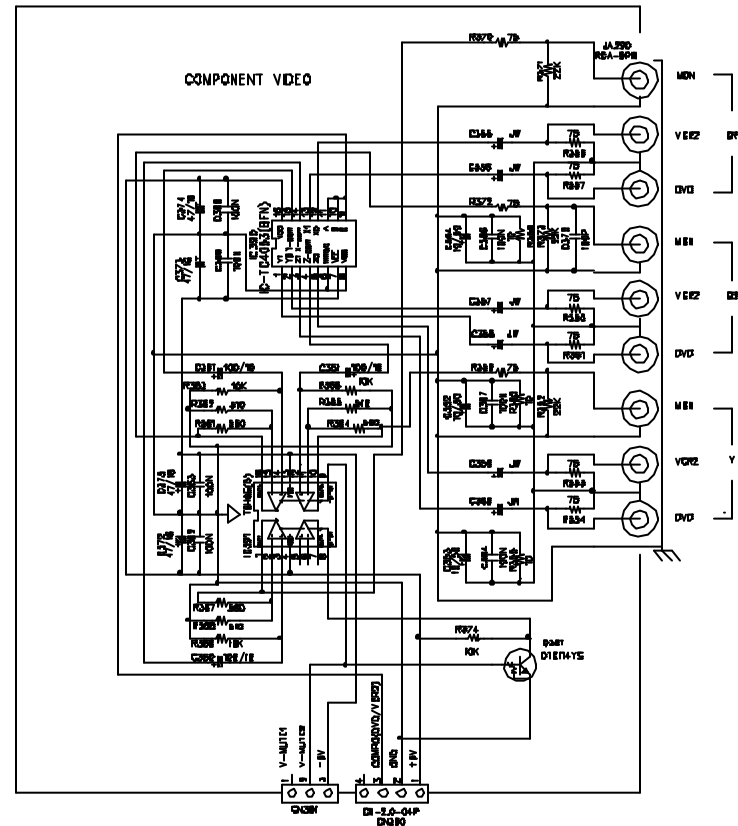


SURROUND AMP SCHEMATIC DIAGRAM

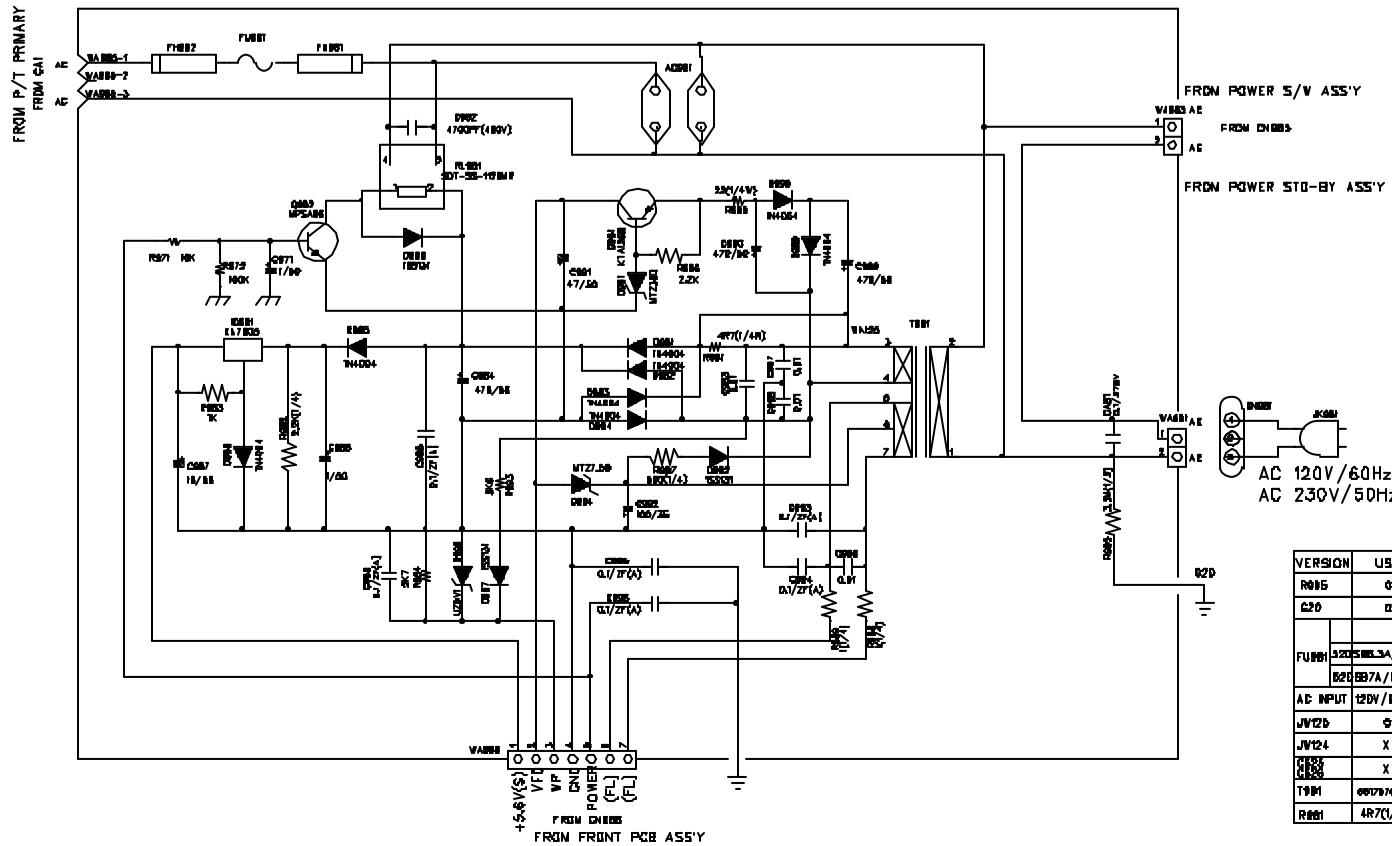
REAR AMP ASS'Y



| | |
|---------|---------|
| AVR-520 | AVR-300 |
| 24.0V | 20.0V |
| 0.0W | 0.0W |



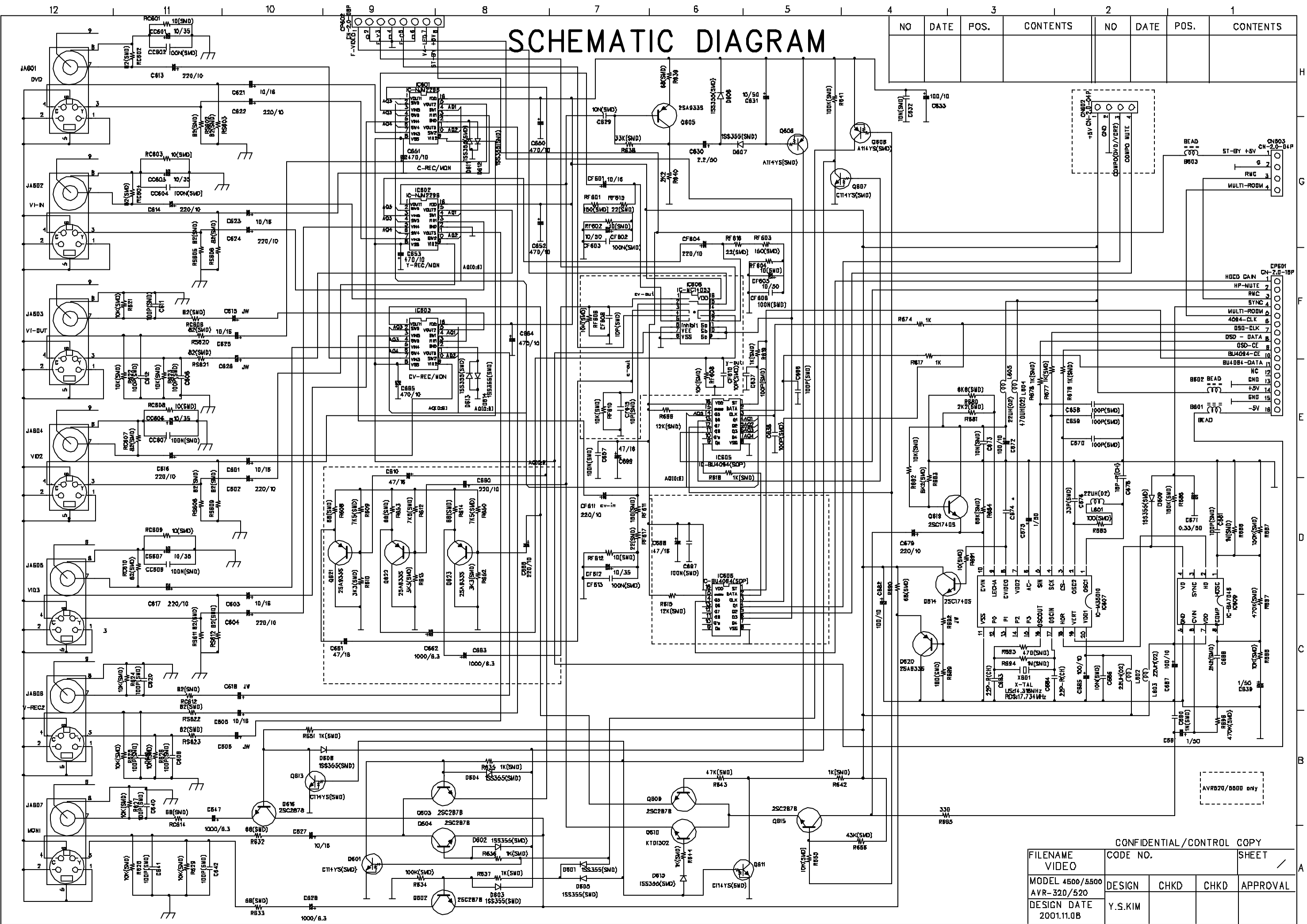
SUB POWER SUPPLY ASS'Y



| VERSION | USA | EU |
|----------|-----------------|------------|
| R005 | Q | X |
| G20 | Q | X |
| FUN | 320/500/3A/125V | T4A/250V |
| | 500/500/3A/125V | T8A/250V |
| AC INPUT | 120V/60Hz | 230V/50Hz |
| JW25 | Q | X |
| JW24 | X | Q |
| CH81 | X | Q |
| T881 | 500/500/3A | 500/500/3A |
| R881 | 4R7(1/4W) | 5R0(1/2W) |

| | | | | |
|---------------------------|----------|-------|------|----------|
| CONFIDENTIAL/CONTROL COPY | | | | |
| FILENAME | CODE NO. | SHEET | | |
| SURROUND | | 1 / 1 | | |
| MODEL | DESIGN | CHKD | CHKD | APPROVAL |
| AVR520/300/400/500 | | | | |
| DESIGN DATE | S.Y.KIM | | | |
| 01.12.07 | | | | |

SCHEMATIC DIAGRAM



| NO | DATE | POS. | CONTENTS | NO | DATE | POS. | CONTENTS |
|----|------|------|----------|----|------|------|----------|
| | | | | | | | |

| CONFIDENTIAL / CONTROL COPY | | | |
|-----------------------------|----------|-------|----------|
| FILENAME | CODE NO. | SHEET | |
| VIDEO | | | |
| MODEL 4500/5500 | DESIGN | CHKD | APPROVAL |
| AVR-320/520 | Y.S.KIM | | |
| DESIGN DATE | | | |
| 2001.11.08 | | | |