

AVR 630 Audio/Video Receiver

SERVICE MANUAL



harman/kardon®

Power for the Digital Revolution®

Technical Specifications

Audio Section

Stereo Mode

Continuous Average Power (FTC)

90 Watts per channel, 20Hz–20kHz,
@ < 0.07% THD, both channels driven into 8 ohms

5/7 Channel Surround Modes

Power Per Individual Channel

Front L&R channels:
75 Watts per channel,
@ < 0.07% THD, 20Hz–20kHz into 8 ohms

Center channel:
75 Watts, @ < 0.07% THD, 20Hz–20kHz into 8 ohms

Surround (L & R Side, L & R Back) channels:
75 Watts per channel,
@ < 0.07% THD, 20Hz–20kHz into 8 ohms

Input Sensitivity/Impedance

Linear (High Level) 200mV/47kohms

Signal-to-Noise Ratio (IHF-A) 95dB

Surround System Adjacent Channel Separation

Analog Decoding 40dB
(Pro Logic, etc.)

Dolby Digital (AC-3) 55dB
DTS 55dB

Frequency Response

@ 1W (+0dB, -3dB) 10Hz– 130kHz

High Instantaneous

Current Capability (HCC) ±50 Amps

Transient Intermodulation

Distortion (TIM) Unmeasurable

Rise Time 16 µsec

Slew Rate 40V/µsec**

FM Tuner Section

Frequency Range	87.5–108MHz
Usable Sensitivity	IHF 1.3 µV/13.2dBf
Signal-to-Noise Ratio	Mono/Stereo: 70/68dB (DIN)
Distortion	Mono/Stereo: 0.15/0.2%
Stereo Separation	40dB @ 1kHz
Selectivity	±400kHz: 70dB
Image Rejection	80dB
IF Rejection	90dB

AM Tuner Section

Frequency Range	520–1710kHz
Signal-to-Noise Ratio	45dB
Usable Sensitivity	Loop: 500µV
Distortion	1kHz, 50% Mod: 0.8%
Selectivity	±10kHz: 30dB

Video Section

Video Format	PAL/NTSC
Input Level/Impedance	1Vp-p/75 ohms
Output Level/Impedance	1Vp-p/75 ohms
Video Frequency Response (Composite and S-Video)	10Hz–8MHz (-3dB)
Video Frequency Response (Component)	10Hz-50MHz (-3dB)

General

Power Requirement	AC 220-240V/50Hz
Power Consumption	59W idle, 1040W maximum (7 channels driven)

Dimensions (Max)

Width	440mm
Height	165mm
Depth	435mm
Weight	18.6 kg

Depth measurement includes knobs, buttons and terminal connections.

Height measurement includes feet and chassis.

All features and specifications are subject to change without notice.

Harman Kardon and Power for the Digital Revolution are registered trademarks of Harman International Industries, Incorporated.

|||||**Es**Set™ is a trademark of Harman International Industries, Inc. (Patent No. 5,386,478).

*Manufactured under license from Dolby Laboratories.

"Dolby," "Pro Logic," "Pro Logic II" and the Double-D symbol are trademarks of Dolby Laboratories. Confidential Unpublished Works. ©1992–1999 Dolby Laboratories, Inc. All rights reserved.

DTS and DTS Surround, DTS-ES and DTS Neo:6 are trademarks of Digital Theater Systems, Inc.

VMAx is a trademark of Harman International Industries, Inc., and is an implementation of Cooper Bauck Transaural Stereo under patent license.

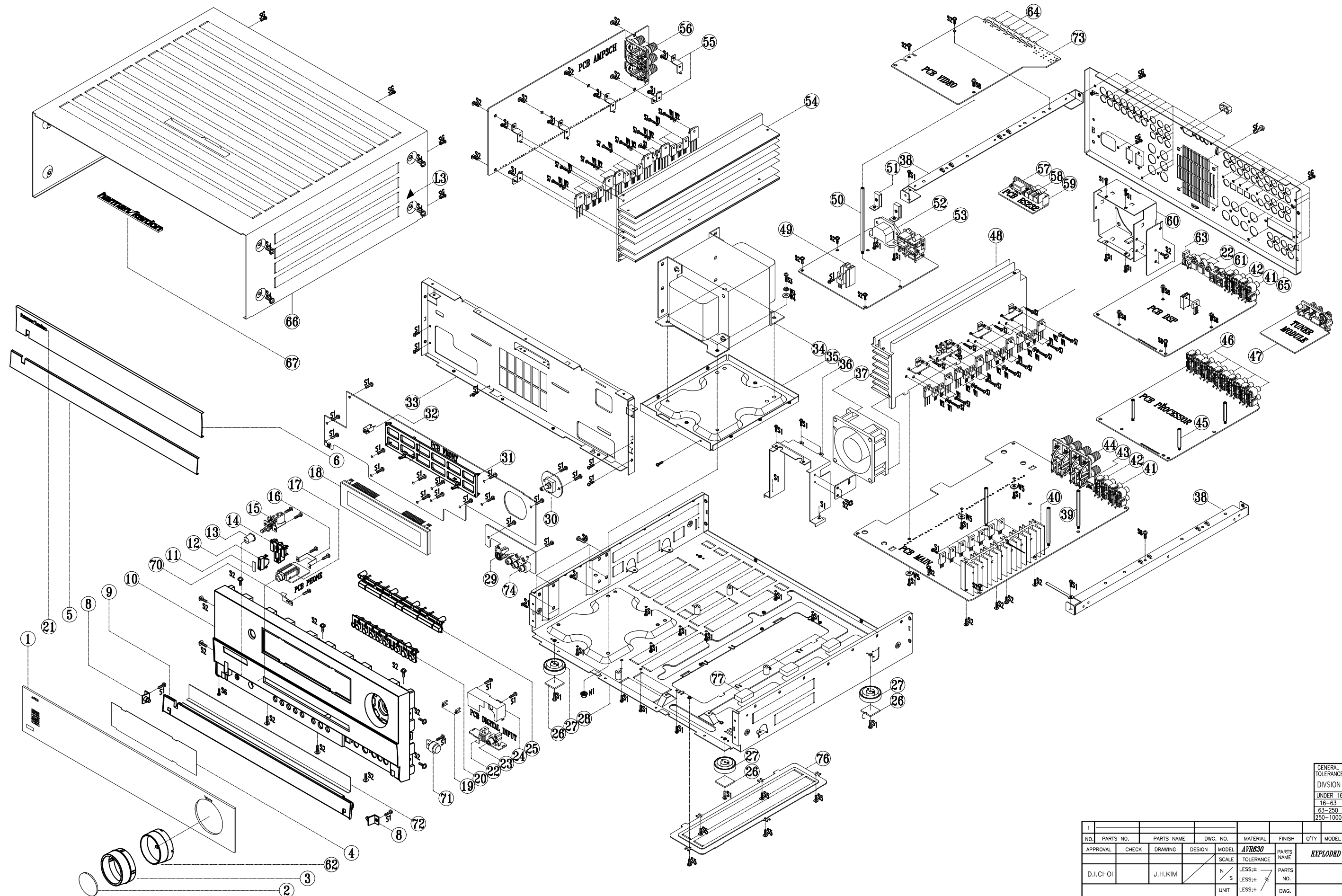
Logic 7 is a registered trademark of Harman International Industries, Incorporated.

HDCD is a registered trademark of Pacific Microsonics, Inc.

A-BUS and A-BUS Ready are registered trademarks of Leisure Tech Electronics Pty Ltd Australia.

**Without input anti slewing and output isolation networks.

MRK	DATE	PNO	REVISION RECORD	DR.	MAK	DATE	PNO	REVISION RECORD	DR.
△									
△									
△									



GENERAL TOLERANCE	±0.2 MM
DIVISION	GRADE
UNDER 16	1 2 3 4 5
16-63	1 2 3 4 5 6 7 8 9 10
63-250	1 2 3 4 5 6 7 8 9 10 11 12 13 14 15 16 17 18 19 20
250-1000	1 2 3 4 5 6 7 8 9 10 11 12 13 14 15 16 17 18 19 20 21 22 23 24 25 26 27 28 29 30

NO.	PARTS NO.	PARTS NAME	DWG. NO.	MATERIAL	FINISH	Q'TY	MODEL NO.	MAKER
APPROVAL	CHECK	DRAWING	DESIGN	MODEL	SCALE	TOLERANCE	PARTS NAME	EXPLODED VIEW
D.I.CHOI		J.H.KIM		N	LESS:±		PARTS NO.	
				S	LESS:±		DWG. NO.	REV.
				UNIT	LESS:±			
				m/m	LESS:±			

AVR 630 EXPLODED VIEW PART LIST

NO.	Tocom#	Q'TY	Sname
1	H01-ZPC1119GABT-A	1	WINDOW DISPLAY AVR630
2	H01-ZPC1020GACR	1	CAP KNOB VOLUME AVR630
3	H01-ZPC1021GASG	1	COVER KNOB VOLUME AVR430/630
4	H01-ZPC1018GART	1	FILTER DISPLAY AVR430/630
5	H01-ZMC11S00200	1	AL DOOR AVR430/630
6	H01-ZMC11S00300	1	AL PANEL AVR430/630
7			
8	H01-ZMC11S04A00	2	BKT HINGE AVR430/630
9	ZPC1002GAGY	1	DOOR AVR430/630
10	ZPD0201GBGY	1	PANEL FRONT AVR430/630
11	H01-ZMC11S12A00	1	CAP BUTTON STAND-BY AVR430/630
12	ZPC1007GAMW	1	INDICATOR STAND-BY
13	ZPC1003GAGY	1	BUTTON POWER
14	ZPC1006GAWH	1	BUTTON STANDBY
15	H01-SWA2B21PDA	1	SW PUSH POWER SDDL15700
16	H01-ZMB01S00100	1	BKT HEADPHONE
17	H01-SOSS9CKX3NN	1	JACK PHONE 6.35 H70980110S 9P BK
18	H01-VDHCA18LL03	3	FL HCA-18LL03
19	ZPC1102GACR	2	INDICATOR VIDEO 4
20	ZPC1005GAGY	1	BUTTON 8 KEY
21	H01-ZMC12S20A00	1	BADGE AL HARMAN/KARDON SILVER
22	H01-ICTORX179XX	4	IC-REMOTE TORX179 FIBER OPTIC RECEIVER SHUTTER
23	H01-SORA1JE01NN	1	JACK RCA 1P JE010003MN GND OR
24	H01-ZMC12S17A00	1	AC PUN SHIELD DIGITAL ET
25	H01-ZPD0104GASG	1	BUTTON 7 KEY EU
26	ZFNR19720SB	4	RUBBER FOOT 19.7X19.7X2T BK
27	ZPC1103GAGY	4	FOOT 50MM 15.8MM
28	H01-ZMC11S13A00	1	CHASSIS MAIN AVR430/630
29	H01-SORA8OSC5N8	1	CON DIN SCKT SOCKET CONNECTOR SVHS EST-S408J
30	H01-SWE3A0505S1	1	SWIROT EC16B24204 5V 500U0A 10T 3P 0 0
31	ZPC1017GA	1	HOLDER VFD AVR430/630
32	H01-ICRPM6938NN	1	IC-REMOTE RPM6938-RSIP-A3 RECEIVER 38KHZ
33	H01-ZMC11S07A00	1	CHASSIS FRONT AVR430/630
34	H01-TXPWMD02B0-A	1	MN X'FORMER AVR630 230V
35	H01-ZMC12S08B00	1	BKT TRANS BOTTOM
36	H01-ZMC11S09A00	1	BKT FAN FRONT AVR430/630
37	H01-ZVC11FAN100	1	FAN JF0925S1L
38	H01-ZMC11S04B00	2	BKT FRAME GUIDE
39	ZMC12S14AYE	3	STANDOFF HEX M4X0.7 6X61.9H
40	H01ZMC12HS0300	1	H/SINK REG 118*20*
41	H01-SORA44104NN	1	CON PHONO SCKT RCA 4P JW-4104RSA
42	H01-SORA40RSCNN	1	CON PHONO SCKT RCA 4P JW-4104RSC
43	H01-SO0A18P8CNN	1	JACK-TELE SNAP-IN GOLDEN TELECOM GDL1-8P8C 8T BK
44	H01-SOPA81900NN	1	CONN-SPE TERMINAL SPKR 8P SH081136JP FE 19MM 8
45	ZMC12S13AYE	3	STANDOFF HEX M4X0.7 6X31.9H
46	H01-SORA40GNDNN	5	CON PHONO SCKT RCA 4P JW4104RS GND
47	H01-ZVD01TUNE00	1	TUNER MODULE KST-MB114MW1-81 OEM EU AVR630/430
48	H01-ZMC11HS0200	1	H/SINK MAIN AVR630
49	H01-ZMC12HS0100	1	AC HEATSINK 17*15*30 AVR520 -- ME
50	ZMC12S15AYE	1	STANDOFF HEX M4X0.7 6X111.2H
51	H01-ZMC12S19A00	2	BKT INLET
52	H01-SOXA27014NN	1	CON MAINS INLET A/C INLET 7014-NGP
53	H01-SOPA21275BK	1	CONN-SPE AC OUTLET 2P 110V FE 12.75MM 2 BK 0 0
54	H01-ZMC11HS0100	1	H/SINK AMP AVR630
55	H01-ZMC12S09A00	6	BKT HEATSINK

56	H01-SOPA619BKNN	1	CONN-SPE TERMINAL SPKR 6P SH0611708P FE 19MM 6 BK
57	H01-SOPA96063NN	1	JACK D-SUB 9P 87204-6063 W/DUST COVER BK
58	H01-SOJW2350SNN	3	JACK PHONE 3.6 EP-1401A 1P BK
59	H01-ZMC12S16A00	1	AC PUN BRACKET BKT GROUND ET 0.5T AVR520 --
60	H01-ZMC11S10A00	1	BKT FAN REAR AVR430/630
61	H01-SORA21502NN	1	CON PHONO SCKT RCA 2P W/GNDCAP JW-1502SN OO
62	ZPC1016GAMW	1	KNOB VOLUME AVR630
63	H01-SORA103LNNN	1	CON PHONO SCKT RCA 1P W/GND JE010003LN OG
64	H01-SORA11Y00NN	7	JACK RCA+S VIDEO CC5016031DN GNDCAP Y
65	H01-ZMD02S11A00	1	PANEL REAR AVR630EU
66	H01-ZMC11S08A00	1	COVER TOP AVR430/630
67	H01-ZPC1104GAGY	1	BADGE MOLD HARMAN/KARDON H/STAMPING SILVER
68			
69	H01-ZMC12S07A00	1	COVER BOTTOM
70	55407040XX	4	AC METAL STANDOFF HEX MF M4X8 6MMOD 31.9H --
71	H01-ZVC11GEAR01-A	1	DAMPER GEAR
72	H01-ZMC11S14A00-A	1	BRACKET DOOR
73	H01-SORA90GNDNN	1	JACK RCA 9P JB090148TN GNDCAP RDX3,BUX3,GNX3
74	H01-SORA3313PNN	1	CON PHONO SCKT RCA-313P 3 PINS

S1	ZSTBM3010BB	64	SCREW ST BH 3X10
S2	ZSTWM3008BY	40	SCREW ST WPH 3X8
S3	ZSMCM4010BB	4	SCREW BM 4X10
S4	ZSTWM4008BB	12	SCREW ST WPH 4X8
S5	ZSTWM3006BB	5	SCREW ST WPH 3X6
S6	ZSTBM3008BY	1	SCREW ST BH 3X8
S7	ZSTBM3012BY	35	SCREW ST BH 3X12 PIVOT
S8	ZSMCM4008BY	5	SCREW BM 4X8
SG	ZSTGM3010BB	46	SCREW ST BH 3X10 GROUND
SF	ZSTBM5010BB	4	SCREW ST BH 5X10
N1	ZNSSM4045HZ	4	NUT M4 HEXAGON CIRCULAR EXTERNAL

W1	ZWM623108SZ	35	WASHER SPRING 3
W2	ZWM803305PZ	14	WASHER PLAIN 3
W3	ZWM763109SZ	8	AC SPRING WASHER RT2250(PAV5005)
W4	ZWMC04810PZ	4	WASHER PLAIN 4
W5	ZWF793008PO	4	WASHER FIBER 3 0.8T

POS	PART NAME	PART NUMBER
C100	CCCFMIC 820P0F +10% -10% 50.0V X7R	CZKI0821BC
C101	CCCFMIC 820P0F +10% -10% 50.0V X7R	CZKI0821BC
C102	CCCFMIC 100N0F +80% -20% 16.0V Y5V	CZZFI0104BF
C103	CE 47U0F +20% 16.0V 85C	CEHFC0476DH
C110	CCCFMIC 100N0F +80% -20% 16.0V Y5V	CZZFI0104BF
C111	CCCFMIC 100P0F +5% -5% 50.0V NP0 0603	CZJII0101BE
C112	CCCFMIC 100P0F +5% -5% 50.0V NP0 0603	CZJII0101BE
C113	CCCFMIC 100P0F +5% -5% 50.0V NP0 0603	CZJII0101BE
C115	CCCFMIC 100P0F +5% -5% 50.0V NP0 0603	CZJII0101BE
C116	CCCFMIC 100P0F +5% -5% 50.0V NP0 0603	CZJII0101BE
C118	CCCFMIC 100P0F +5% -5% 50.0V NP0 0603	CZJII0101BE
C119	CCCFMIC 100P0F +5% -5% 50.0V NP0 0603	CZJII0101BE
C120	CCCFMIC 100P0F +5% -5% 50.0V NP0 0603	CZJII0101BE
C121	CCCFMIC 100P0F +5% -5% 50.0V NP0 0603	CZJII0101BE
C122	CCCFMIC 100N0F +80% -20% 16.0V Y5V	CZZFI0104BF
C123	CC 100N0F +80% -20% 50.0V F	CCZID0104NA
C129	CPF 47N0F +10% 100.0V	CPIKC0473NN
C130	CPF 47N0F +10% 100.0V	CPIKC0473NN
C131	CE 47U0F +20% 16.0V 85C	CEHFC0476DH
C132	CCCFMIC 100N0F +80% -20% 16.0V Y5V	CZZFI0104BF
C200	CCCFMIC 100N0F +80% -20% 16.0V Y5V	CZZFI0104BF
C201	CCCFMIC 100N0F +80% -20% 16.0V Y5V	CZZFI0104BF
C220	CCCFMIC 22N0F +10% -10% 50.0V X7R 0603	CZKII0223BC
C221	CCCFMIC 22N0F +10% -10% 50.0V X7R 0603	CZKII0223BC
C601	CE 100U0F +20% 10.0V 5X11 85C	CEHEC0107NN
CA11	CPPMX 100N0F +20% -20%	CFMVA0104NN
D100	D-SLP 1SS355 35.0V 225MIOA	H01-DS1S50094NB-A
D101	D-SLP 1N4148 100.0V 150E-3A	H01-DG1N04148NB
D102	D-SLP 1SS355 35.0V 225MIOA	H01-DS1S50094NB-A
D103	D-SLP 1SS355 35.0V 225MIOA	H01-DS1S50094NB-A
D104	D-SLP 1SS355 35.0V 225MIOA	H01-DS1S50094NB-A
D105	D-SLP 1SS355 35.0V 225MIOA	H01-DS1S50094NB-A
D200	D-SLP 1SS355 35.0V 225MIOA	H01-DS1S50094NB-A
D201	D-SLP 1SS355 35.0V 225MIOA	H01-DS1S50094NB-A
D202	D-SLP 1SS355 35.0V 225MIOA	H01-DS1S50094NB-A
D203	D-SLP 1SS355 35.0V 225MIOA	H01-DS1S50094NB-A
D703	D-LEM 30B3-20-15 GaN SUPER BLUE WATER CLEAR 15	H01-DL30B2015AA-A
D704	D-LEM 30B3-20-15 GaN SUPER BLUE WATER CLEAR 15	H01-DL30B2015AA-A
D705	D-LEM 30B3-20-15 GaN SUPER BLUE WATER CLEAR 15	H01-DL30B2015AA-A
D706	D-LEM 30B3-20-15 GaN SUPER BLUE WATER CLEAR 15	H01-DL30B2015AA-A
D707	D-LEM 30B3-20-15 GaN SUPER BLUE WATER CLEAR 15	H01-DL30B2015AA-A
D708	D-LEM 30B3-20-15 GaN SUPER BLUE WATER CLEAR 15	H01-DL30B2015AA-A
D709	D-LEM 30B3-20-15 GaN SUPER BLUE WATER CLEAR 15	H01-DL30B2015AA-A
D710	D-LEM 30B3-20-15 GaN SUPER BLUE WATER CLEAR 15	H01-DL30B2015AA-A
D800	D-LEM BLUE/AMBER 3PIE RD RND CL	H01-DL3BA05V0BA
D801	D-LEM RED/GREEN 3F RD RND CL	H01-DLRED3FRDBA
D802	D-LEM RED/GREEN 3F RD RND CL	H01-DLRED3FRDBA
DP10	FL HCA-18LL03	H01-VDHCA18LL03
IC101	IC CMOS BU4094BF SOP16	H01-ICBU4094BD3
J139	LF 47U0H +10% 5.8 OHM 500MIOA	H01-LAINB0470CR
J149	RMGCFMIC 0 OHM +0% 62MI5W	RS3AD0000NA
J151	RMGCFMIC 0 OHM +0% 62MI5W	RS3AD0000NA
J153	RMGCFMIC 0 OHM +0% 62MI5W	RS3AD0000NA
J154	RMGCFMIC 0 OHM +0% 62MI5W	RS3AD0000NA
J156	RMGCFMIC 0 OHM +0% 62MI5W	RS3AD0000NA
J157	RMGCFMIC 0 OHM +0% 62MI5W	RS3AD0000NA
J301	RMGCFMIC 0 OHM +0% 62MI5W	RS3AD0000NA
J302	RMGCFMIC 0 OHM +0% 62MI5W	RS3AD0000NA
J303	RMGCFMIC 0 OHM +0% 62MI5W	RS3AD0000NA
J503	RMGCFMIC 0 OHM +0% 62MI5W	RS3AD0000NA
J504	RMGCFMIC 0 OHM +0% 62MI5W	RS3AD0000NA
J505	RMGCFMIC 0 OHM +0% 62MI5W	RS3AD0000NA
J506	RMGCFMIC 0 OHM +0% 62MI5W	RS3AD0000NA
J902	RMGCFMIC 0 OHM +0% 62MI5W	RS3AD0000NA
J903	RMGCFMIC 0 OHM +0% 62MI5W	RS3AD0000NA
JC502	RMGCFMIC 0 OHM +0% 62MI5W	RS3AD0000NA

POS	PART NAME	PART NUMBER
JD503	RMGCFMIC 0 OHM +0% 62MI5W	RS3AD0000NA
JR901	RMGCFMIC 0 OHM +0% 62MI5W	RS3AD0000NA
L100	LF 4U7H +10% 1.7 OHM 190.0A	H01-LAINB047ACR
N102	WIRECONASY DL 2.0MM 04P 220MM UL1007 RIBBON 26 1	H01-WG04SB82200
N103	WIRECONASY DL 2.0MM 6P 510MM UL1533 SHIELD 26 1	H01-WS6265105EN
N104	WIRECONASY DL 2.0MM 04P 90MM UL1007 RIBBON 26 1	H01-WG04SB80900
N107	WIRECONASY DL 2.0MM 04P 480MM UL1533 SHIELD 26 1 2/2	H01-WS4264822EN
N110	WIRECONASY DL 2.5MM 07P 400MM UL1007 RIBBON 24 1	H01-WG07SD84000
NJ80	CON PHONO SCKT RCA-313P 3 PINS	H01-SORA3313PNN
NJ81	JACK S-VIDEO 1P C40160261N	H01-SORA8OSC5N8
NS199	CON MAINS INLET A/C INLET 7014-NGP	H01-SOXA27014NN
P103	CONN 1.25MM 23 FE ANG WH GF120-23S-LS 2794 A6	H01-WN23AI000WH
P104	CONN 2.0MM 4 MA ST NAT GT201-4P-TS	H01-WN04SB00000
P105	CONN 1.25MM 19 FE ANG WH GF120-19S-LS 2794 A6	H01-WN19AI00000
P120	CONN 2.0MM 11P MA ST NAT MOLEX 35336-1110 0 0	H01-WN11SB00000
P121	CONN 2.0MM 11 MA R NAT SOCKET MOLEX 35237-1110 0 0	H01-WN11AB00000
P122	CONN 2.0MM 19 MA ST NAT MOLEX 35336-1910 0 0	H01-WN19SB00000
P123	CONN 2.0MM 19 MA R NAT SOCKET MOLEX 35237-1910 0 0	H01-WN19AB00000
P199	CON 3.96MM PITCH HEADER 2 POS MOLEX 35328-0210	H01-WN02SE00000
Q100	TR-SLPLF MPSA56 Y P -500MIOA -300V	H01-TRMPSA56YNA
Q101	TR-SLPLF MPSA56 Y P -500MIOA -300V	H01-TRMPSA56YNA
Q102	TR-SSD DTC114YKA N 10K0 OHM 47K0 OHM	H01-TRDTC114YNI
Q103	TR-SSD DTC114YKA N 10K0 OHM 47K0 OHM	H01-TRDTC114YNI
Q800	TR-SLPSWA KTD1304 N 20V 300MIOA SOT-23	H01-TRKTD1304ND
Q801	TR-SSD DTC114YKA N 10K0 OHM 47K0 OHM	H01-TRDTC114YNI
Q802	TR-SSD DTC114YKA N 10K0 OHM 47K0 OHM	H01-TRDTC114YNI
Q803	TR-SSD DTC114YKA N 10K0 OHM 47K0 OHM	H01-TRDTC114YNI
Q804	TR-SSD DTC114YKA N 10K0 OHM 47K0 OHM	H01-TRDTC114YNI
Q805	TR-SSD DTC114YKA N 10K0 OHM 47K0 OHM	H01-TRDTC114YNI
R1	RMGCFMIC 1K0 OHM +5% 62MI5W	RS3AD0102NA
R100	RMGCFMIC 68K0 OHM +5% 62MI5W	RS3AD0683NA
R101	RMGCFMIC 68K0 OHM +5% 62MI5W	RS3AD0683NA
R102	RMGCFMIC 4K7 OHM +5% 62MI5W	RS3AD0472NA
R103	RMGCFMIC 10R0 OHM +5% 62MI5W	RS3AD0100NA
R104	RMGCFMIC 47K0 OHM +5% 62MI5W	RS3AD0473NA
R109	RMGCFMIC 220R0 OHM +5% 62MI5W	RS3AD0221NA
R110	RMGCFMIC 1K0 OHM +5% 62MI5W	RS3AD0102NA
R119	RMGCFMIC 1K0 OHM +5% 62MI5W	RS3AD0102NA
R120	RMGCFMIC 1K0 OHM +5% 62MI5W	RS3AD0102NA
R121	RMGCFMIC 1K0 OHM +5% 62MI5W	RS3AD0102NA
R122	RMGCFMIC 470R0 OHM +5% 62MI5W	RS3AD0471NA
R134	RMGCFMIC 220R0 OHM +5% 62MI5W	RS3AD0221NA
R136	RMGCFMIC 1K0 OHM +5% 62MI5W	RS3AD0102NA
R160	RMGCFMIC 1K0 OHM +5% 62MI5W	RS3AD0102NA
R161	RMGCFMIC 100R0 OHM +5% 62MI5W	RS3AD0101NA
R162	RMGCFMIC 1K0 OHM +5% 62MI5W	RS3AD0102NA
R163	RMGCFMIC 1K0 OHM +5% 62MI5W	RS3AD0102NA
R164	RMGCFMIC 1K0 OHM +5% 62MI5W	RS3AD0102NA
R165	RCF 10K0 OHM +5% 250MIOV	RC3DI0103IN
R166	RCF 10K0 OHM +5% 250MIOV	RC3DI0103IN
R167	RCF 10K0 OHM +5% 250MIOV	RC3DI0103IN
R2	RMGCFMIC 100K0 OHM +5% 62MI5W	RS3AD0104NA-A
R201	RMGCFMIC 1K0 OHM +5% 62MI5W	RS3AD0102NA
R202	RMGCFMIC 1K2 OHM +5% 62MI5W	RS3AD0122NA
R203	RMGCFMIC 1K5 OHM +5% 62MI5W	RS3AD0152NA-A
R204	RMGCFMIC 2K2 OHM +5% 62MI5W	RS3AD0222NA
R205	RMGCFMIC 2K7 OHM +5% 62MI5W	RS3AD0272NA
R206	RMGCFMIC 3K3 OHM +5% 62MI5W	RS3AD0332NA
R207	RMGCFMIC 5K6 OHM +5% 62MI5W	RS3AD0562NA
R208	RMGCFMIC 8K2 OHM +5% 62MI5W	RS3AD0822NA
R209	RMGCFMIC 18K0 OHM +5% 62MI5W	RS3AD0183NA-A
R211	RMGCFMIC 1K0 OHM +5% 62MI5W	RS3AD0102NA
R212	RMGCFMIC 1K2 OHM +5% 62MI5W	RS3AD0122NA
R213	RMGCFMIC 1K5 OHM +5% 62MI5W	RS3AD0152NA-A
R214	RMGCFMIC 2K2 OHM +5% 62MI5W	RS3AD0222NA
R215	RMGCFMIC 2K7 OHM +5% 62MI5W	RS3AD0272NA

POS	PART NAME	PART NUMBER
R216	RMGCFMIC 3K3 OHM +5% 62MI5W	RS3AD0332NA
R217	RMGCFMIC 5K6 OHM +5% 62MI5W	RS3AD0562NA
R218	RMGCFMIC 8K2 OHM +5% 62MI5W	RS3AD0822NA
R219	RMGCFMIC 18K0 OHM +5% 62MI5W	RS3AD0183NA-A
R700	RCF 330R0 OHM +5% 250MI0W	RC3DI0331IN
R701	RCF 330R0 OHM +5% 250MI0W	RC3DI0331IN
R702	RCF 330R0 OHM +5% 250MI0W	RC3DI0331IN
R703	RCF 330R0 OHM +5% 250MI0W	RC3DI0331IN
R800	RMGCFMIC 680R0 OHM +5% 62MI5W	RS3AD0681NA
R801	RMGCFMIC 680R0 OHM +5% 62MI5W	RS3AD0681NA
R802	RCF 220R0 OHM +5% 250MI0W	RC3DI0221IN
R803	RCF 270R0 OHM +5% 250MI0W	RC3DI0271IN
R804	RMGCFMIC 470R0 OHM +5% 62MI5W	RS3AD0471NA
R805	RMGCFMIC 470R0 OHM +5% 62MI5W	RS3AD0471NA
R806	RMGCFMIC 390R0 OHM +5% 62MI5W	RS3AD0391NA
R807	RMGCFMIC 390R0 OHM +5% 62MI5W	RS3AD0391NA
R808	RMGCFMIC 470R0 OHM +5% 62MI5W	RS3AD0471NA
R809	RMGCFMIC 470R0 OHM +5% 62MI5W	RS3AD0471NA
R810	RMGCFMIC 390R0 OHM +5% 62MI5W	RS3AD0391NA
R811	RMGCFMIC 390R0 OHM +5% 62MI5W	RS3AD0391NA
RM100	IC-REMOTE RPM6938-RSIP-A3 RECEIVER 38KHZ	H01-ICRPM6938NN
S200	SWITACT VERTICAL SKQNADD010 12V 50MA	H01-SWC2A112FS1
S201	SWITACT VERTICAL SKQNADD010 12V 50MA	H01-SWC2A112FS1
S202	SWITACT VERTICAL SKQNADD010 12V 50MA	H01-SWC2A112FS1
S203	SWITACT VERTICAL SKQNADD010 12V 50MA	H01-SWC2A112FS1
S204	SWITACT VERTICAL SKQNADD010 12V 50MA	H01-SWC2A112FS1
S205	SWITACT VERTICAL SKQNADD010 12V 50MA	H01-SWC2A112FS1
S206	SWITACT VERTICAL SKQNADD010 12V 50MA	H01-SWC2A112FS1
S207	SWITACT VERTICAL SKQNADD010 12V 50MA	H01-SWC2A112FS1
S208	SWITACT VERTICAL SKQNADD010 12V 50MA	H01-SWC2A112FS1
S209	SWITACT VERTICAL SKQNADD010 12V 50MA	H01-SWC2A112FS1
S211	SWITACT VERTICAL SKQNADD010 12V 50MA	H01-SWC2A112FS1
S212	SWITACT VERTICAL SKQNADD010 12V 50MA	H01-SWC2A112FS1
S213	SWITACT VERTICAL SKQNADD010 12V 50MA	H01-SWC2A112FS1
S214	SWITACT VERTICAL SKQNADD010 12V 50MA	H01-SWC2A112FS1
S215	SWITACT VERTICAL SKQNADD010 12V 50MA	H01-SWC2A112FS1
S216	SWITACT VERTICAL SKQNADD010 12V 50MA	H01-SWC2A112FS1
S217	SWITACT VERTICAL SKQNADD010 12V 50MA	H01-SWC2A112FS1
S218	SWITACT VERTICAL SKQNADD010 12V 50MA	H01-SWC2A112FS1
S219	SWITACT VERTICAL SKQNADD010 12V 50MA	H01-SWC2A112FS1
S220	SWITACT VERTICAL SKQNADD010 12V 50MA	H01-SWC2A112FS1
VR100	SWIROT EC16B24204 5V 500U0A 10T 3P 0 0	H01-SWE3A0505S1
W200	WIRECONASY UNIQUE 1P 300MM UL1007 PVC DISCRETE 22 2	H01-WG01S083000
W201	WIRECONASY UNIQUE 1P 300MM UL1007 PVC DISCRETE 22 2	H01-WG01S083000

POS	PART NAME	PART NUMBER
C101	CC 100P0F +10% -10% 50.0V Y5P	CCKID0101NA
C102	CC 100P0F +10% -10% 50.0V Y5P	CCKID0101NA
C103	CC 100P0F +10% -10% 50.0V Y5P	CCKID0101NA
C104	CC 100P0F +10% -10% 50.0V Y5P	CCKID0101NA
C107	CC 100P0F +10% -10% 50.0V Y5P	CCKID0101NA
C108	CC 100P0F +10% -10% 50.0V Y5P	CCKID0101NA
C109	CC 100P0F +10% -10% 50.0V Y5P	CCKID0101NA
C110	CC 100P0F +10% -10% 50.0V Y5P	CCKID0101NA
C111	CC 100P0F +10% -10% 50.0V Y5P	CCKID0101NA
C112	CC 100P0F +10% -10% 50.0V Y5P	CCKID0101NA
C113	CC 100P0F +10% -10% 50.0V Y5P	CCKID0101NA
C114	CC 100P0F +10% -10% 50.0V Y5P	CCKID0101NA
C115	CC 100P0F +10% -10% 50.0V Y5P	CCKID0101NA
C116	CC 100P0F +10% -10% 50.0V Y5P	CCKID0101NA
C117	CC 100P0F +10% -10% 50.0V Y5P	CCKID0101NA
C118	CC 100P0F +10% -10% 50.0V Y5P	CCKID0101NA
C119	CC 100N0F +80% -20% 50.0V F	CCZID0104NA
C120	CC 100N0F +80% -20% 50.0V F	CCZID0104NA
C206	CE 100U0F +20% 25.0V 6.3X1185C	CEHGC0107NN
C207	CE 4U7F +20% 50.0V 85C	CEHIC0475NN
C208	CE 100U0F +20% 25.0V 6.3X1185C	CEHGC0107NN
C209	CC 100P0F +10% -10% 50.0V Y5P	CCKID0101NA
C210	CE 1U0F +20% 50.0V 5X11 85C	CEHIC0105NN
C211	CE 10U0F +20% 50.0V 85C	CEHIC0106NN
C212	CC 100N0F +80% -20% 50.0V F	CCZID0104NA
C213	CE 100U0F +20% 25.0V 6.3X1185C	CEHGC0107NN
C214	CC 100N0F +80% -20% 50.0V F	CCZID0104NA
C301	CE 10U0F +20% 50.0V 85C	CEHIC0106NN
C302	CE 10U0F +20% 50.0V 85C	CEHIC0106NN
C303	CE 470U0F +20% 63.0V 85C	CEHJA0477MN
C304	CE 470U0F +20% 63.0V 85C	CEHJA0477MN
C305	CE 470U0F +20% 63.0V 85C	CEHJA0477MN
C306	CE 470U0F +20% 63.0V 85C	CEHJA0477MN
C307	CC 270P0F +10% -10% 50.0V 2B4	CCKID0271NN
C308	CC 270P0F +10% -10% 50.0V 2B4	CCKID0271NN
C309	CE 100U0F +20% 25.0V 6.3X1185C	CEHGC0107NN
C310	CE 100U0F +20% 25.0V 6.3X1185C	CEHGC0107NN
C313	CC 270P0F +10% -10% 50.0V 2B4	CCKID0271NN
C314	CC 270P0F +10% -10% 50.0V 2B4	CCKID0271NN
C315	CC 3P0F +0P25F -0P25F 50.0V NP0	CCDIC0030NE
C316	CC 3P0F +0P25F -0P25F 50.0V NP0	CCDIC0030NE
C317	CC 180P0F +10% -10% 50.0V Y5P	CCKIC0181NA
C318	CC 180P0F +10% -10% 50.0V Y5P	CCKIC0181NA
C319	CE 10U0F +20% 50.0V 85C	CEHIC0106NN
C320	CE 10U0F +20% 50.0V 85C	CEHIC0106NN
C321	CE 10U0F +20% 50.0V 85C	CEHIC0106NN
C322	CE 10U0F +20% 50.0V 85C	CEHIC0106NN
C323	CPM 68N0F +5% 63.0V	CFLJC0683NN
C324	CPM 68N0F +5% 63.0V	CFLJC0683NN
C325	CPM 100N0F +10% 63.0V	CFIJC0104NN
C326	CPM 100N0F +10% 63.0V	CFIJC0104NN
C327	CPM 100N0F +10% 63.0V	CFIJC0104NN
C328	CPM 100N0F +10% 63.0V	CFIJC0104NN
C329	CC 2N2F +10% -10% 50.0V Y5P	CCKIC0222NA
C330	CC 2N2F +10% -10% 50.0V Y5P	CCKIC0222NA
C331	CE 220U0F +20% 10.0V 85C	CEHEC0227NN-A
C332	CE 220U0F +20% 10.0V 85C	CEHEC0227NN-A
C333	CC 4N7F +20% -20% 16.0V Y5R	CCMFD0472NN
C401	CE 10U0F +20% 50.0V 85C	CEHIC0106NN
C402	CE 10U0F +20% 50.0V 85C	CEHIC0106NN
C403	CC 270P0F +10% -10% 50.0V 2B4	CCKID0271NN
C404	CC 270P0F +10% -10% 50.0V 2B4	CCKID0271NN
C405	CE 100U0F +20% 25.0V 6.3X1185C	CEHGC0107NN
C406	CE 100U0F +20% 25.0V 6.3X1185C	CEHGC0107NN
C407	CE 220U0F +20% 10.0V 85C	CEHEC0227NN-A
C408	CE 220U0F +20% 10.0V 85C	CEHEC0227NN-A

POS	PART NAME	PART NUMBER
C409	CC 3P0F +0P25F -0P25F 50.0V NP0	CCDIC0030NE
C410	CC 3P0F +0P25F -0P25F 50.0V NP0	CCDIC0030NE
C411	CC 180P0F +10% -10% 50.0V Y5P	CCKIC0181NA
C412	CC 180P0F +10% -10% 50.0V Y5P	CCKIC0181NA
C413	CE 10U0F +20% 50.0V 85C	CEHIC0106NN
C414	CE 10U0F +20% 50.0V 85C	CEHIC0106NN
C415	CE 10U0F +20% 50.0V 85C	CEHIC0106NN
C416	CE 10U0F +20% 50.0V 85C	CEHIC0106NN
C417	CPM 100N0F +10% 63.0V	CFIJC0104NN
C418	CPM 100N0F +10% 63.0V	CFIJC0104NN
C419	CPM 100N0F +10% 63.0V	CFIJC0104NN
C420	CPM 100N0F +10% 63.0V	CFIJC0104NN
C421	CE 470U0F +20% 63.0V 85C	CEHJA0477MN
C422	CE 470U0F +20% 63.0V 85C	CEHJA0477MN
C423	CE 470U0F +20% 63.0V 85C	CEHJA0477MN
C424	CE 470U0F +20% 63.0V 85C	CEHJA0477MN
C425	CC 2N2F +10% -10% 50.0V Y5P	CCKIC0222NA
C426	CC 2N2F +10% -10% 50.0V Y5P	CCKIC0222NA
C429	CE 10U0F +20% 50.0V 85C	CEHIC0106NN
C430	CPM 68N0F +5% 63.0V	CFLJC0683NN
C431	CPM 68N0F +5% 63.0V	CFLJC0683NN
C432	CE 470U0F +20% 10.0V 6.3X11 85C	CEHEC0477MN-A
C433	CC 10N0F +20% -20% 16.0V Y5S	CCMFD0103NN
C434	CC 4N7F +20% -20% 16.0V Y5R	CCMFD0472NN
C501	CPM 100N0F +10% 250.0V	CFIOC0104NN
C502	CPM 100N0F +10% 250.0V	CFIOC0104NN
C503	CPM 100N0F +10% 250.0V	CFIOC0104NN
C504	CAP ELEC DL 15000uF 63.0V 85C	H01-CEHJA0159NN
C505	CAP ELEC DL 15000uF 63.0V 85C	H01-CEHJA0159NN
C506	CPF 47N0F +10% 100.0V	CPIKC0473NN
C507	CPF 47N0F +10% 100.0V	CPIKC0473NN
C508	CPF 47N0F +10% 100.0V	CPIKC0473NN
C509	CE 2MI2F +20% 35.0V 85C	CEHHC0228MN-A
C510	CE 2MI2F +20% 35.0V 85C	CEHHC0228MN-A
C511	CPF 47N0F +10% 100.0V	CPIKC0473NN
C512	CPF 47N0F +10% 100.0V	CPIKC0473NN
C513	CPF 47N0F +10% 100.0V	CPIKC0473NN
C514	CE MHA 10MI0F 16V M 16*35.5 SAMYOUN	H01-CEMFA0109AH
C515	CE 2MI2F +20% 16.0V 85C	CEHFA0228MN
C516	CPF 47N0F +10% 100.0V	CPIKC0473NN
C517	CE 2MI2F +20% 50.0V 85C	CEHIA0228MN
C518	CE 10U0F +20% 50.0V 85C	CEHIC0106NN
C519	CE 10U0F +20% 50.0V 85C	CEHIC0106NN
C520	CE 10U0F +20% 50.0V 85C	CEHIC0106NN
C521	CE 10U0F +20% 50.0V 85C	CEHIC0106NN
C522	CE 10U0F +20% 50.0V 85C	CEHIC0106NN
C523	CE 10U0F +20% 50.0V 85C	CEHIC0106NN
C526	CE 100U0F +20% 25.0V 6.3X1185C	CEHGC0107NN
C527	CC 100N0F +80% -20% 50.0V F	CCZID0104NA
C528	CPF 47N0F +10% 100.0V	CPIKC0473NN
C529	CPF 47N0F +10% 100.0V	CPIKC0473NN
C569	CC 270P0F +10% -10% 50.0V 2B4	CCKID0271NN
C570	CC 270P0F +10% -10% 50.0V 2B4	CCKID0271NN
C601	CC 10N0F +20% -20% 16.0V Y5S	CCMFD0103NN
C602	CC 10N0F +20% -20% 16.0V Y5S	CCMFD0103NN
D204	D-ZENER MTZJ 12.0V 500MI0W	H01-DZMTZ12V0NB
D205	D-SLP 1N4148 100.0V 150E-3A	H01-DG1N04148NB
D206	D-SLP 1N4148 100.0V 150E-3A	H01-DG1N04148NB
D207	D-ZENER 1N5231B 5.1V 500MI0W	H01-DZ1N05231NB
D301	D-SLP 1N4148 100.0V 150E-3A	H01-DG1N04148NB
D302	D-SLP 1N4148 100.0V 150E-3A	H01-DG1N04148NB
D303	D-SLP 1N4148 100.0V 150E-3A	H01-DG1N04148NB
D304	D-SLP 1N4148 100.0V 150E-3A	H01-DG1N04148NB
D305	D-SLP 1N4148 100.0V 150E-3A	H01-DG1N04148NB
D306	D-SLP 1N4148 100.0V 150E-3A	H01-DG1N04148NB
D307	D-SLP 1N4148 100.0V 150E-3A	H01-DG1N04148NB

POS	PART NAME	PART NUMBER
D308	D-SLP 1N4148 100.0V 150E-3A	H01-DG1N04148NB
D401	D-SLP 1N4148 100.0V 150E-3A	H01-DG1N04148NB
D402	D-SLP 1N4148 100.0V 150E-3A	H01-DG1N04148NB
D403	D-SLP 1N4148 100.0V 150E-3A	H01-DG1N04148NB
D404	D-SLP 1N4148 100.0V 150E-3A	H01-DG1N04148NB
D405	D-SLP 1N4148 100.0V 150E-3A	H01-DG1N04148NB
D406	D-SLP 1N4148 100.0V 150E-3A	H01-DG1N04148NB
D407	D-SLP 1N4148 100.0V 150E-3A	H01-DG1N04148NB
D408	D-SLP 1N4148 100.0V 150E-3A	H01-DG1N04148NB
D409	D-SLP 1N4148 100.0V 150E-3A	H01-DG1N04148NB
D410	D-SLP 1N4148 100.0V 150E-3A	H01-DG1N04148NB
D411	D-SLP 1N4148 100.0V 150E-3A	H01-DG1N04148NB
D412	D-SLP 1N4148 100.0V 150E-3A	H01-DG1N04148NB
D501	D-BRDLC BRIDGE BU10-04	H01-DRBU10040BA
D502	DIODE BRIDGE W2-04F FRONTIER	H01-DRW204F00BA-A
D503	DIODE BRIDGE BU6-04F FRONTIER	H01-DRBU604F0NA
D505	DIODE BRIDGE W2-04F FRONTIER	H01-DRW204F00BA-A
F501	FUSE T 2A 250V 7.6X8.6 SS-5 SAVE FUSETECH	H01-FURN2200006
F502	FUSE T 2A 250V 7.6X8.6 SS-5 SAVE FUSETECH	H01-FURN2200006
F503	FUSE T 2A 250V 7.6X8.6 SS-5 SAVE FUSETECH	H01-FURN2200006
F504	FUSE T 2A 250V 7.6X8.6 SS-5 SAVE FUSETECH	H01-FURN2200006
F505	FUSE T 2A 250V 7.6X8.6 SS-5 SAVE FUSETECH	H01-FURN2200006
F506	FUSE T 2A 250V 7.6X8.6 SS-5 SAVE FUSETECH	H01-FURN2200006
G101	TERMLUG GND	H01-ZNMSA4004SN
G102	TERMLUG GND	H01-ZNMSA4004SN
HK11	H/SINK REG 118*20*60	H01-ZMC11HS0300
HK12	AC HEATSINK DIODE 47X26X12 AVR630 -- ME	H01-ZMC11HS0400
IC22	IC-OPERAMP NJM2068M DUAL SOP8	H01-ICLM02068D2-A
IC51	IC-REGPOSFxD KIA7815API NORMAL	H01-ICLM07815BD
IC52	IC-REGNEGFXD KIA7915API NORMAL TO-220AB	H01-ICLM07915BD
IC53	IC-REGPOSFxD BA033T NORMAL	H01-ICBA033T0I2
IC54	IC-REGPOSFxD KIA7824API TO-220IS NORMAL	H01-ICKIA7824I2
IC55	IC-REGPOSFxD KIA7805API NORMAL TO-220IS	H01-ICKIA7805I2
IC56	IC-REGNEGFXD KIA7905PI NORMAL	H01-ICKIA7905I2
IC59	IC-REGPOSFxD KIA7812API NORMAL	H01-ICKIA7812I2
L301	LFA 1MM 10MM 5 LEFT 0.0MM NONE	H01-LCINNNA050NA
L302	LFA 1MM 10MM 5 LEFT 0.0MM NONE	H01-LCINNNA050NA
L401	LFA 1MM 10MM 5 LEFT 0.0MM NONE	H01-LCINNNA050NA
L402	LFA 1MM 10MM 5 LEFT 0.0MM NONE	H01-LCINNNA050NA
N801	WIRECONASY UNIQUE 2 80MM UL1007 PVC DISCRETE 26	H01-WG02SB80800
N802	WIRECONASY UNIQUE 2 80MM UL1007 PVC DISCRETE 26	H01-WG02SB80800
N803	WIRECONASY UNIQUE 2 80MM UL1007 PVC DISCRETE 26	H01-WG02SB80800
N804	WIRECONASY UNIQUE 2 80MM UL1007 PVC DISCRETE 26	H01-WG02SB80800
N805	WIRECONASY DL 2.0MM 8P 360MM UL1533 SHIELD 26 1	H01-WS8263605EN
N806	WIRECONASY DL 2.0MM 15P 390MM UL1533 SHIELD 26 1	H01-WSE263905EN
N807	WIRECONASY DL 2.0MM 3P 210MM UL1007 RIBBON 26 12	H01-WG03SB82100
N808	WIRECONASY DL 2.0MM UNIQUE 3P 440MM UL1007 PVC DISCRETE 26 1	H01-WG03SB84400
N809	WIRECONASY DL 2.0MM 3P 210MM UL1007 RIBBON 26 12	H01-WG03SB82100
NJ11	JACK RCA 4P JB040131QN WH BU RD GY	H01-SORA40RSCNN-A
NJ12	JACK RCA 4P JB040131ZN GN BN PP TA	H01-SORA40RSANN
NJ13	JACK-TELE SNAP-IN GOLDEN TELECOM GDL1-8P8C 8T BK 0 0	SO0A18P8CNN
NJ14	CONN-SPE TERMINAL SPKR 8P SH081136JP FE 19MM 8 -- 0 0	H01-SOPA81900NN
P801	CONN 2.5MM 2 MA ST NAT 0 0	H01-WN02SD00000
P802	CONN 2.5MM 2 MA ST NAT 0 0	H01-WN02SD00000
P803	CONN 2.5MM 2 MA ST NAT 0 0	H01-WN02SD00000
P804	CONN 2.5MM 2 MA ST NAT 0 0	H01-WN02SD00000
P805	CONN 2.0MM 3 MA ST NAT GT201-3P-TS	H01-WN03SB00000
P806	CONN 2.0MM 4 MA ST NAT GT201-4P-TS	H01-WN04SB00000
P807	CON 3.96MM PITCH MOLEX 35313-0310	H01-WN03SE00000
P808	CONN 2.5MM 8 MA ST NAT 0 0	H01-WN08SD00000
P810	CONN 2.5MM 2 MA ST NAT 0 0	H01-WN02SD00000
P811	CONN 2.0MM 19 MA ST NAT MOLEX 35336-1910 0 0	H01-WN19SB00000
P812	CONN 2.0MM 2 MA ST NAT GT201-2P-TS	H01-WN02SB00000
P813	CONN 2.0MM 2 MA ST NAT GT201-2P-TS	H01-WN02SB00000
P814	CONN 2.0MM 3 MA ST NAT GT201-3P-TS	H01-WN03SB00000
P815	CONN 2.0MM 2 MA ST NAT GT201-2P-TS	H01-WN02SB00000

POS	PART NAME	PART NUMBER
P816	CONN 2.0MM 2 MA ST NAT GT201-2P-TS	H01-WN02SB00000
PO71	POS 100R0 OHM 16.0V RED	H01-RP3NA0101NZ
PO72	POS 100R0 OHM 16.0V	H01-RP3NA0101NN-A
Q301	TR-SHPLF KTC3200BL N 100MIOA 120V	H01-TRKTC3200NA
Q302	TR-SHPLF KTC3200BL N 100MIOA 120V	H01-TRKTC3200NA
Q303	TR-SHPLF KTC3200BL N 100MIOA 120V	H01-TRKTC3200NA
Q304	TR-SHPLF KTC3200BL N 100MIOA 120V	H01-TRKTC3200NA
Q305	TR-SHPLF KTC3200BL N 100MIOA 120V	H01-TRKTC3200NA
Q306	TR-SHPLF KTC3200BL N 100MIOA 120V	H01-TRKTC3200NA
Q307	TR-SLPLF KTC3198BL N 150MIOA	H01-TRKTC3198NA
Q308	TR-SLPLF KTC3198BL N 150MIOA	H01-TRKTC3198NA
Q309	TR-SLPLF 2SA1145Y TO-92MOD P -50MIOA -150V	H01-TR2SA1145NA
Q310	TR-SLPLF 2SA1145Y TO-92MOD P -50MIOA -150V	H01-TR2SA1145NA
Q311	TR-SHPLF KTA1268BL P 100MIOA 120V	H01-TRKTA1268NA
Q312	TR-SHPLF KTA1268BL P 100MIOA 120V	H01-TRKTA1268NA
Q313	TR-SHPLF KTC3200BL N 100MIOA 120V	H01-TRKTC3200NA
Q314	TR-SHPLF KTC3200BL N 100MIOA 120V	H01-TRKTC3200NA
Q315	TR-SLPLF KTA1024 Y P 50MIOA -150V	H01-TRKTA1024NA
Q316	TR-SLPLF KTA1024 Y P 50MIOA -150V	H01-TRKTA1024NA
Q317	TR-SLPLF KTC3206 Y N 50MIOA 150V	H01-TRKTC3206NA-A
Q318	TR-SLPLF KTC3206 Y N 50MIOA 150V	H01-TRKTC3206NA-A
Q319	TR-SLPLF KTA1024 Y P 50MIOA -150V	H01-TRKTA1024NA
Q320	TR-SLPLF KTA1024 Y P 50MIOA -150V	H01-TRKTA1024NA
Q321	TR-SLPLF KTC3206 Y N 50MIOA 150V	H01-TRKTC3206NA-A
Q322	TR-SLPLF KTC3206 Y N 50MIOA 150V	H01-TRKTC3206NA-A
Q323	TR-SLPLF KTC3206 Y N 50MIOA 150V	H01-TRKTC3206NA-A
Q324	TR-SLPLF KTC3206 Y N 50MIOA 150V	H01-TRKTC3206NA-A
Q327	TR-SLPLF KTA1024 Y P 50MIOA -150V	H01-TRKTA1024NA
Q328	TR-SLPLF KTA1024 Y P 50MIOA -150V	H01-TRKTA1024NA
Q329	TR-SHPLF 2SA1859A P -2.0A	H01-TR2SA1859BC
Q330	TR-SHPLF 2SA1859A P -2.0A	H01-TR2SA1859BC
Q331	TR-SHPLF 2SC4883A N 2.0A	H01-TR2SC4883BC
Q332	TR-SHPLF 2SC4883A N 2.0A	H01-TR2SC4883BC
Q333	TR-SHPLF 2SC5358-R N 15.0A	H01-TR2SC5358BO
Q334	TR-SHPLF 2SC5358-R N 15.0A	H01-TR2SC5358BO
Q335	TR-SHPLF 2SA1986-R P -15.0A	H01-TR2SA1986BE
Q336	TR-SHPLF 2SA1986-R P -15.0A	H01-TR2SA1986BE
Q337	TR-SHPLF KTC3200BL N 100MIOA 120V	H01-TRKTC3200NA
Q338	TR-SHPLF KTC3200BL N 100MIOA 120V	H01-TRKTC3200NA
Q401	TR-SHPLF KTC3200BL N 100MIOA 120V	H01-TRKTC3200NA
Q402	TR-SHPLF KTC3200BL N 100MIOA 120V	H01-TRKTC3200NA
Q403	TR-SHPLF KTC3200BL N 100MIOA 120V	H01-TRKTC3200NA
Q404	TR-SHPLF KTC3200BL N 100MIOA 120V	H01-TRKTC3200NA
Q405	TR-SHPLF KTC3200BL N 100MIOA 120V	H01-TRKTC3200NA
Q406	TR-SHPLF KTC3200BL N 100MIOA 120V	H01-TRKTC3200NA
Q407	TR-SLPLF KTC3198BL N 150MIOA	H01-TRKTC3198NA
Q408	TR-SLPLF KTC3198BL N 150MIOA	H01-TRKTC3198NA
Q409	TR-SHPLF KTC3200BL N 100MIOA 120V	H01-TRKTC3200NA
Q410	TR-SHPLF KTA1268BL P 100MIOA 120V	H01-TRKTA1268NA
Q411	TR-SLPLF 2SA1145Y TO-92MOD P -50MIOA -150V	H01-TR2SA1145NA
Q412	TR-SLPLF 2SA1145Y TO-92MOD P -50MIOA -150V	H01-TR2SA1145NA
Q413	TR-SHPLF KTA1268BL P 100MIOA 120V	H01-TRKTA1268NA
Q414	TR-SHPLF KTA1268BL P 100MIOA 120V	H01-TRKTA1268NA
Q415	TR-SHPLF KTC3200BL N 100MIOA 120V	H01-TRKTC3200NA
Q416	TR-SHPLF KTC3200BL N 100MIOA 120V	H01-TRKTC3200NA
Q417	TR-SLPLF KTA1024 Y P 50MIOA -150V	H01-TRKTA1024NA
Q418	TR-SLPLF KTA1024 Y P 50MIOA -150V	H01-TRKTA1024NA
Q419	TR-SLPLF KTC3206 Y N 50MIOA 150V	H01-TRKTC3206NA-A
Q420	TR-SLPLF KTC3206 Y N 50MIOA 150V	H01-TRKTC3206NA-A
Q421	TR-SLPLF KTA1024 Y P 50MIOA -150V	H01-TRKTA1024NA
Q422	TR-SLPLF KTA1024 Y P 50MIOA -150V	H01-TRKTA1024NA
Q423	TR-SLPLF KTC3206 Y N 50MIOA 150V	H01-TRKTC3206NA-A
Q424	TR-SLPLF KTC3206 Y N 50MIOA 150V	H01-TRKTC3206NA-A
Q425	TR-SHPLF KTC3200BL N 100MIOA 120V	H01-TRKTC3200NA
Q426	TR-SLPLF KTC3198BL N 150MIOA	H01-TRKTC3198NA
Q429	TR-SLPLF KTC3206 Y N 50MIOA 150V	H01-TRKTC3206NA-A

POS	PART NAME	PART NUMBER
Q430	TR-SLPLF KTC3206 Y N 50MIOA 150V	H01-TRKTC3206NA-A
Q431	TR-SLPLF KTA1024 Y P 50MIOA -150V	H01-TRKTA1024NA
Q432	TR-SLPLF KTA1024 Y P 50MIOA -150V	H01-TRKTA1024NA
Q433	TR-SHPLF 2SA1859A P -2.0A	H01-TR2SA1859BC
Q434	TR-SHPLF 2SA1859A P -2.0A	H01-TR2SA1859BC
Q435	TR-SHPLF 2SC4883A N 2.0A	H01-TR2SC4883BC
Q436	TR-SHPLF 2SC4883A N 2.0A	H01-TR2SC4883BC
Q437	TR-SHPLF 2SC5358-R N 15.0A	H01-TR2SC5358BO
Q438	TR-SHPLF 2SC5358-R N 15.0A	H01-TR2SC5358BO
Q439	TR-SHPLF 2SA1986-R P -15.0A	H01-TR2SA1986BE
Q440	TR-SHPLF 2SA1986-R P -15.0A	H01-TR2SA1986BE
Q441	TR-SLPLF KTC3198BL N 150MIOA	H01-TRKTC3198NA
Q442	TR-SLPLF KTA1024 Y P 50MIOA -150V	H01-TRKTA1024NA
Q443	TR-SLPSWA KRC107M N	H01-TRKRC107MNA
Q602	TR-SLPLF KTD1302 B N 300MIOA 20V	H01-TRKTD1302NA
Q605	TR-SLPLF KTA1266 Y P 150MIOA	H01-TRKTA1266NA
Q606	TR-SLPLF KTC3198BL N 150MIOA	H01-TRKTC3198NA
Q607	TR-SLPLF KTA1266 Y P 150MIOA	H01-TRKTA1266NA
Q608	TR-SLPLF KTC3198BL N 150MIOA	H01-TRKTC3198NA
Q701	TR-SHPLF 2SC4137 N 100MIOA 20V	H01-TR2SC4137BE
Q702	TR-SHPLF 2SC4137 N 100MIOA 20V	H01-TR2SC4137BE
Q703	TR-SHPLF 2SC4137 N 100MIOA 20V	H01-TR2SC4137BE
Q704	TR-SHPLF 2SC4137 N 100MIOA 20V	H01-TR2SC4137BE
R101	RCF 100R0 OHM +5% 250MIOW	RC3DI0101IN
R102	RCF 100R0 OHM +5% 250MIOW	RC3DI0101IN
R105	RCF 100R0 OHM +5% 250MIOW	RC3DI0101IN
R106	RCF 100R0 OHM +5% 250MIOW	RC3DI0101IN
R109	RCF 100R0 OHM +5% 250MIOW	RC3DI0101IN
R110	RCF 100R0 OHM +5% 250MIOW	RC3DI0101IN
R113	RCF 100R0 OHM +5% 250MIOW	RC3DI0101IN
R114	RCF 100R0 OHM +5% 250MIOW	RC3DI0101IN
R207	RCF 100K0 OHM +5% 250MIOW	RC3DI0104IN
R209	RCF 27K0 OHM +5% 250MIOW	RC3DI0273IN
R211	RCF 1K0 OHM +5% 250MIOW	RC3DI0102IN
R213	RCF 100R0 OHM +5% 250MIOW	RC3DI0101IN
R214	RCF 100K0 OHM +5% 250MIOW	RC3DI0104IN
R215	RCF 100R0 OHM +5% 250MIOW	RC3DI0101IN
R216	RCF 100K0 OHM +5% 250MIOW	RC3DI0104IN
R217	RCF 100K0 OHM +5% 250MIOW	RC3DI0104IN
R218	RCF 100K0 OHM +5% 250MIOW	RC3DI0104IN
R219	RCF 100K0 OHM +5% 250MIOW	RC3DI0104IN
R220	RCF 100K0 OHM +5% 250MIOW	RC3DI0104IN
R221	RCF 100R0 OHM +5% 250MIOW	RC3DI0101IN
R223	RCF 51K0 OHM +5% 250MIOW	RC3DI0513IN-A
R224	RCF 270K0 OHM +5% 250MIOW	RC3DI0274IN
R225	RCF 33K0 OHM +5% 250MIOW	RC3DI0333IN
R301	RCF 330R0 OHM +5% 250MIOW	RC3DI0331IN
R302	RCF 330R0 OHM +5% 250MIOW	RC3DI0331IN
R303	RCF 10R0 OHM +5% 250MIOW	RC3DI0100IN
R304	RCF 10R0 OHM +5% 250MIOW	RC3DI0100IN
R305	RCF 33K0 OHM +5% 250MIOW	RC3DI0333IN
R306	RCF 33K0 OHM +5% 250MIOW	RC3DI0333IN
R307	RCF 43K0 OHM +5% 250MIOW	RC3DI0433IN
R308	RCF 43K0 OHM +5% 250MIOW	RC3DI0433IN
R309	RCF 100K0 OHM +5% 250MIOW	RC3DI0104IN
R310	RCF 100K0 OHM +5% 250MIOW	RC3DI0104IN
R311	RCF 1K6 OHM +5% 250MIOW	RC3DI0162IN
R312	RCF 1K6 OHM +5% 250MIOW	RC3DI0162IN
R313	RCF 1K6 OHM +5% 250MIOW	RC3DI0162IN
R314	RCF 1K6 OHM +5% 250MIOW	RC3DI0162IN
R315	RCF 470R0 OHM +5% 250MIOW	RC3DI0471IN
R316	RCF 470R0 OHM +5% 250MIOW	RC3DI0471IN
R317	RCF 220R0 OHM +5% 250MIOW	RC3DI0221IN
R318	RCF 220R0 OHM +5% 250MIOW	RC3DI0221IN
R319	RCF 220R0 OHM +5% 250MIOW	RC3DI0221IN
R320	RCF 220R0 OHM +5% 250MIOW	RC3DI0221IN

POS	PART NAME	PART NUMBER
R321	RCF 220R0 OHM +5% 250MIOW	RC3DI0221IN
R322	RCF 220R0 OHM +5% 250MIOW	RC3DI0221IN
R323	RCF 560R0 OHM +5% 250MIOW	RC3DI0561IN-A
R324	RCF 560R0 OHM +5% 250MIOW	RC3DI0561IN-A
R325	RCF 560R0 OHM +5% 250MIOW	RC3DI0561IN-A
R326	RCF 560R0 OHM +5% 250MIOW	RC3DI0561IN-A
R327	RMF 33K0 OHM +1% 250MIOW	RM1DI0333IN
R328	RMF 33K0 OHM +1% 250MIOW	RM1DI0333IN
R329	RCF 560R0 OHM +5% 250MIOW	RC3DI0561IN-A
R330	RCF 560R0 OHM +5% 250MIOW	RC3DI0561IN-A
R331	RMF 1K45 OHM +1% 250MIOW	RM1DI1451IN
R332	RMF 1K45 OHM +1% 250MIOW	RM1DI1451IN
R333	RCF 560R0 OHM +5% 250MIOW	RC3DI0561IN-A
R334	RCF 560R0 OHM +5% 250MIOW	RC3DI0561IN-A
R335	RCF 560R0 OHM +5% 250MIOW	RC3DI0561IN-A
R336	RCF 560R0 OHM +5% 250MIOW	RC3DI0561IN-A
R337	RCF 560R0 OHM +5% 250MIOW	RC3DI0561IN-A
R338	RCF 560R0 OHM +5% 250MIOW	RC3DI0561IN-A
R339	RCF 200R0 OHM +5% 250MIOW	RC3DI0201IN
R340	RCF 200R0 OHM +5% 250MIOW	RC3DI0201IN
R341	RCF 15K0 OHM +5% 250MIOW	RC3DI0153IN
R342	RCF 15K0 OHM +5% 250MIOW	RC3DI0153IN
R343	RCF 15K0 OHM +5% 250MIOW	RC3DI0153IN
R344	RCF 15K0 OHM +5% 250MIOW	RC3DI0153IN
R345	RCF 200R0 OHM +5% 250MIOW	RC3DI0201IN
R346	RCF 200R0 OHM +5% 250MIOW	RC3DI0201IN
R347	RCF 200R0 OHM +5% 250MIOW	RC3DI0201IN
R348	RCF 200R0 OHM +5% 250MIOW	RC3DI0201IN
R349	RCF 200R0 OHM +5% 250MIOW	RC3DI0201IN
R350	RCF 200R0 OHM +5% 250MIOW	RC3DI0201IN
R351	RMF 10R0 OHM +5% 500MIOW	H01-RM3EG0100LN-A
R352	RMF 10R0 OHM +5% 500MIOW	H01-RM3EG0100LN-A
R353	RCF 100R0 OHM +5% 250MIOW	RC3DI0101IN
R354	RCF 100R0 OHM +5% 250MIOW	RC3DI0101IN
R363	RCF 15R0 OHM +5% 250MIOW	RC3DI0150IN
R364	RCF 15R0 OHM +5% 250MIOW	RC3DI0150IN
R365	RCF 15R0 OHM +5% 250MIOW	RC3DI0150IN
R366	RCF 15R0 OHM +5% 250MIOW	RC3DI0150IN
R367	RMF 10R0 OHM +5% 500MIOW	H01-RM3EG0100LN-A
R368	RMF 10R0 OHM +5% 500MIOW	H01-RM3EG0100LN-A
R369	RCF 100R0 OHM +5% 250MIOW	RC3DI0101IN
R370	RCF 100R0 OHM +5% 250MIOW	RC3DI0101IN
R371	RCF 2R2 OHM +5% 250MIOW	RC3DI022AIN
R372	RCF 2R2 OHM +5% 250MIOW	RC3DI022AIN
R373	RCF 2R2 OHM +5% 250MIOW	RC3DI022AIN
R374	RCF 2R2 OHM +5% 250MIOW	RC3DI022AIN
R375	RCF 82R0 OHM +5% 250MIOW	RC3DI0820IN
R376	RCF 82R0 OHM +5% 250MIOW	RC3DI0820IN
R378	RW 220MIO OHM +5% 5.0W 100PPM/C -100PPM/C	H01-RI3IC022BEN
R379	RW 220MIO OHM +5% 5.0W 100PPM/C -100PPM/C	H01-RI3IC022BEN
R380	RCF 1K5 OHM +5% 250MIOW	RC3DI0152IN
R381	RCF 1K5 OHM +5% 250MIOW	RC3DI0152IN
R382	RCF 39K0 OHM +5% 250MIOW	RC3DI0393IN
R383	RCF 39K0 OHM +5% 250MIOW	RC3DI0393IN
R384	RCF 15K0 OHM +5% 250MIOW	RC3DI0153IN
R385	RCF 15K0 OHM +5% 250MIOW	RC3DI0153IN
R386	RCF 1K5 OHM +5% 250MIOW	RC3DI0152IN
R387	RCF 1K5 OHM +5% 250MIOW	RC3DI0152IN
R388	RCF 10R0 OHM +5% 500MIOW	RC3EG0100LN
R389	RCF 10R0 OHM +5% 500MIOW	RC3EG0100LN
R390	RCF 22K0 OHM +5% 250MIOW	RC3DI0223IN
R391	RCF 22K0 OHM +5% 250MIOW	RC3DI0223IN
R392	RMOF 10R0 OHM +5% 1.0W	RM3FC0100BN
R393	RMOF 10R0 OHM +5% 1.0W	RM3FC0100BN
R401	RCF 330R0 OHM +5% 250MIOW	RC3DI0331IN
R402	RCF 330R0 OHM +5% 250MIOW	RC3DI0331IN

POS	PART NAME	PART NUMBER
R403	RCF 33K0 OHM +5% 250MIOW	RC3DI0333IN
R404	RCF 33K0 OHM +5% 250MIOW	RC3DI0333IN
R405	RCF 1K6 OHM +5% 250MIOW	RC3DI0162IN
R406	RCF 1K6 OHM +5% 250MIOW	RC3DI0162IN
R407	RCF 1K6 OHM +5% 250MIOW	RC3DI0162IN
R408	RCF 1K6 OHM +5% 250MIOW	RC3DI0162IN
R409	RCF 220R0 OHM +5% 250MIOW	RC3DI0221IN
R410	RCF 220R0 OHM +5% 250MIOW	RC3DI0221IN
R411	RCF 220R0 OHM +5% 250MIOW	RC3DI0221IN
R412	RCF 220R0 OHM +5% 250MIOW	RC3DI0221IN
R413	RCF 220R0 OHM +5% 250MIOW	RC3DI0221IN
R414	RCF 220R0 OHM +5% 250MIOW	RC3DI0221IN
R415	RCF 43K0 OHM +5% 250MIOW	RC3DI0433IN
R416	RCF 43K0 OHM +5% 250MIOW	RC3DI0433IN
R417	RMF 33K0 OHM +1% 250MIOW	RM1DI0333IN
R418	RMF 33K0 OHM +1% 250MIOW	RM1DI0333IN
R419	RMF 1K45 OHM +1% 250MIOW	RM1DI1451IN
R420	RMF 1K45 OHM +1% 250MIOW	RM1DI1451IN
R421	RCF 560R0 OHM +5% 250MIOW	RC3DI0561IN-A
R422	RCF 560R0 OHM +5% 250MIOW	RC3DI0561IN-A
R423	RCF 560R0 OHM +5% 250MIOW	RC3DI0561IN-A
R424	RCF 560R0 OHM +5% 250MIOW	RC3DI0561IN-A
R425	RCF 560R0 OHM +5% 250MIOW	RC3DI0561IN-A
R426	RCF 560R0 OHM +5% 250MIOW	RC3DI0561IN-A
R427	RCF 560R0 OHM +5% 250MIOW	RC3DI0561IN-A
R428	RCF 560R0 OHM +5% 250MIOW	RC3DI0561IN-A
R429	RCF 560R0 OHM +5% 250MIOW	RC3DI0561IN-A
R430	RCF 560R0 OHM +5% 250MIOW	RC3DI0561IN-A
R431	RCF 560R0 OHM +5% 250MIOW	RC3DI0561IN-A
R432	RCF 560R0 OHM +5% 250MIOW	RC3DI0561IN-A
R433	RCF 200R0 OHM +5% 250MIOW	RC3DI0201IN
R434	RCF 200R0 OHM +5% 250MIOW	RC3DI0201IN
R435	RCF 200R0 OHM +5% 250MIOW	RC3DI0201IN
R436	RCF 200R0 OHM +5% 250MIOW	RC3DI0201IN
R437	RCF 15K0 OHM +5% 250MIOW	RC3DI0153IN
R438	RCF 15K0 OHM +5% 250MIOW	RC3DI0153IN
R439	RCF 15K0 OHM +5% 250MIOW	RC3DI0153IN
R440	RCF 15K0 OHM +5% 250MIOW	RC3DI0153IN
R441	RCF 200R0 OHM +5% 250MIOW	RC3DI0201IN
R442	RCF 200R0 OHM +5% 250MIOW	RC3DI0201IN
R443	RCF 200R0 OHM +5% 250MIOW	RC3DI0201IN
R444	RCF 200R0 OHM +5% 250MIOW	RC3DI0201IN
R445	RMF 10R0 OHM +5% 500MIOW	H01-RM3EG0100LN-A
R446	RMF 10R0 OHM +5% 500MIOW	H01-RM3EG0100LN-A
R447	RMF 10R0 OHM +5% 500MIOW	H01-RM3EG0100LN-A
R448	RMF 10R0 OHM +5% 500MIOW	H01-RM3EG0100LN-A
R457	RCF 100R0 OHM +5% 250MIOW	RC3DI0101IN
R458	RCF 100R0 OHM +5% 250MIOW	RC3DI0101IN
R459	RCF 100R0 OHM +5% 250MIOW	RC3DI0101IN
R460	RCF 100R0 OHM +5% 250MIOW	RC3DI0101IN
R461	RCF 15R0 OHM +5% 250MIOW	RC3DI0150IN
R462	RCF 15R0 OHM +5% 250MIOW	RC3DI0150IN
R463	RCF 15R0 OHM +5% 250MIOW	RC3DI0150IN
R464	RCF 15R0 OHM +5% 250MIOW	RC3DI0150IN
R465	RCF 2R2 OHM +5% 250MIOW	RC3DI022AIN
R466	RCF 2R2 OHM +5% 250MIOW	RC3DI022AIN
R467	RCF 2R2 OHM +5% 250MIOW	RC3DI022AIN
R468	RCF 2R2 OHM +5% 250MIOW	RC3DI022AIN
R469	RCF 82R0 OHM +5% 250MIOW	RC3DI0820IN
R470	RCF 82R0 OHM +5% 250MIOW	RC3DI0820IN
R471	RW 220MIO OHM +5% 5.0W 100PPM/C -100PPM/C	H01-RI3IC022BEN
R472	RW 220MIO OHM +5% 5.0W 100PPM/C -100PPM/C	H01-RI3IC022BEN
R473	RCF 10R0 OHM +5% 500MIOW	RC3EG0100LN
R474	RCF 10R0 OHM +5% 500MIOW	RC3EG0100LN
R475	RMOF 10R0 OHM +5% 1.0W	RM3FC0100BN
R476	RMOF 10R0 OHM +5% 1.0W	RM3FC0100BN

POS	PART NAME	PART NUMBER
R477	RCF 10R0 OHM +5% 250MIOW	RC3DI0100IN
R478	RCF 10R0 OHM +5% 250MIOW	RC3DI0100IN
R479	RCF 100K0 OHM +5% 250MIOW	RC3DI0104IN
R480	RCF 100K0 OHM +5% 250MIOW	RC3DI0104IN
R481	RCF 1K5 OHM +5% 250MIOW	RC3DI0152IN
R482	RCF 15K0 OHM +5% 250MIOW	RC3DI0153IN
R483	RCF 1K5 OHM +5% 250MIOW	RC3DI0152IN
R484	RCF 39K0 OHM +5% 250MIOW	RC3DI0393IN
R485	RCF 10K0 OHM +5% 250MIOW	RC3DI0103IN
R486	RCF 22K0 OHM +5% 250MIOW	RC3DI0223IN
R487	RCF 39K0 OHM +5% 250MIOW	RC3DI0393IN
R488	RCF 1K5 OHM +5% 250MIOW	RC3DI0152IN
R489	RCF 15K0 OHM +5% 250MIOW	RC3DI0153IN
R490	RCF 1K5 OHM +5% 250MIOW	RC3DI0152IN
R491	RCF 39K0 OHM +5% 250MIOW	RC3DI0393IN
R492	RCF 22K0 OHM +5% 250MIOW	RC3DI0223IN
R493	RCF 8K2 OHM +5% 250MIOW	RC3DI0822IN
R497	RCF 270R0 OHM +5% 250MIOW	RC3DI0271IN
R498	RCF 27K0 OHM +5% 250MIOW	RC3DI0273IN
R501	RCF 39K0 OHM +5% 250MIOW	RC3DI0393IN
R502	RCF 39K0 OHM +5% 250MIOW	RC3DI0393IN
R503	RCF 100K0 OHM +5% 250MIOW	RC3DI0104IN
R504	RMOF 3R3 OHM +5% 2.0W	RM3GC033ACN
R505	RMOF 10R0 OHM +5% 2.0W	RM3GC0100CN-A
R506	RMOF 3R3 OHM +5% 2.0W	RM3GC033ACN
R507	RMOF 3R3 OHM +5% 2.0W	RM3GC033ACN
R508	RMOF 3R3 OHM +5% 2.0W	RM3GC033ACN
R509	RMOF 4R7 OHM +5% 2.0W	RM3GC047ACN
R510	RMOF 3R3 OHM +5% 2.0W	RM3GC033ACN
R514	RMOF 2R2 OHM +5% 2.0W	RM3GC022ACN-A
R515	RMOF 3R3 OHM +5% 2.0W	RM3GC033ACN
R516	RCF 10K0 OHM +5% 250MIOW	RC3DI0103IN
R593	RCF 470R0 OHM +5% 250MIOW	RC3DI0471IN
R594	RCF 470R0 OHM +5% 250MIOW	RC3DI0471IN
R603	RCF 1K0 OHM +5% 250MIOW	RC3DI0102IN
R604	RCF 100K0 OHM +5% 250MIOW	RC3DI0104IN
R605	RCF 10K0 OHM +5% 250MIOW	RC3DI0103IN
R606	RCF 10K0 OHM +5% 250MIOW	RC3DI0103IN
R607	RCF 12K0 OHM +5% 250MIOW	RC3DI0123IN
R608	RCF 10K0 OHM +5% 250MIOW	RC3DI0103IN
R609	RCF 100R0 OHM +5% 250MIOW	RC3DI0101IN
R610	RCF 10K0 OHM +5% 250MIOW	RC3DI0103IN
R611	RCF 10K0 OHM +5% 250MIOW	RC3DI0103IN
R612	RCF 12K0 OHM +5% 250MIOW	RC3DI0123IN
R613	RCF 10K0 OHM +5% 250MIOW	RC3DI0103IN
R614	RCF 100R0 OHM +5% 250MIOW	RC3DI0101IN
R615	RCF 2R2 OHM +5% 250MIOW	RC3DI022AIN
R701	RCF 1K2 OHM +5% 250MIOW	RC3DI0122IN
R702	RCF 270R0 OHM +5% 250MIOW	RC3DI0271IN
R705	RCF 270R0 OHM +5% 250MIOW	RC3DI0271IN
R707	RCF 1K2 OHM +5% 250MIOW	RC3DI0122IN
R708	RCF 270R0 OHM +5% 250MIOW	RC3DI0271IN
R709	RCF 270R0 OHM +5% 250MIOW	RC3DI0271IN
R710	RCF 1K2 OHM +5% 250MIOW	RC3DI0122IN
R711	RCF 1K2 OHM +5% 250MIOW	RC3DI0122IN
VR71	PR 200R0 OHM +30% 100MIOW	RT6BA0201NB-A
VR72	PR 200R0 OHM +30% 100MIOW	RT6BA0201NB-A
VR73	PR 200R0 OHM +30% 100MIOW	RT6BA0201NB-A
VR74	PR 200R0 OHM +30% 100MIOW	RT6BA0201NB-A
W301	WCL 190-05-05 UL1007 HOOK-UP 22 190MM BK 05 05	H01-WC1221905C1
W401	WCL 090-05-05 UL1007 HOOK-UP 18 90MM BK 05 05	H01-WC1180905C1

POS	PART NAME	PART NUMBER
C301	CE 470U0F +20% 63.0V 85C	CEHJA0477MN
C302	CE 470U0F +20% 63.0V 85C	CEHJA0477MN
C303	CE 10U0F +20% 50.0V 85C	CEHIC0106NN
C304	CC 270P0F +10% -10% 50.0V Y5P	CCKIC0271NA-A
C305	CE 100U0F +20% 25.0V 6.3X1185C	CEHGC0107NN
C306	CC 270P0F +10% -10% 50.0V Y5P	CCKIC0271NA-A
C307	CC 3P0F +0P25F -0P25F 50.0V NP0	CCDIC0030NE
C308	CE 220U0F +20% 10.0V 85C	CEHEC0227NN-A
C309	CC 180P0F +10% -10% 50.0V Y5P	CCKIC0181NA
C310	CPM 68N0F +5% 63.0V	CFLJC0683NN
C311	CE 10U0F +20% 50.0V 85C	CEHIC0106NN
C312	CE 10U0F +20% 50.0V 85C	CEHIC0106NN
C313	CPM 100N0F +10% 63.0V	CFIJC0104NN
C314	CPM 100N0F +10% 63.0V	CFIJC0104NN
C320	CC 4N7F +10% -10% 50.0V Y5P	CCKIC0472NA
C331	CC 3N3F +10% -10% 50.0V Y5P	CCKIC0332NA
C401	CE 470U0F +20% 63.0V 85C	CEHJA0477MN
C402	CE 470U0F +20% 63.0V 85C	CEHJA0477MN
C403	CE 10U0F +20% 50.0V 85C	CEHIC0106NN
C404	CC 270P0F +10% -10% 50.0V Y5P	CCKIC0271NA-A
C405	CE 100U0F +20% 25.0V 6.3X1185C	CEHGC0107NN
C406	CC 270P0F +10% -10% 50.0V Y5P	CCKIC0271NA-A
C407	CC 3P0F +0P25F -0P25F 50.0V NP0	CCDIC0030NE
C408	CE 220U0F +20% 10.0V 85C	CEHEC0227NN-A
C409	CC 180P0F +10% -10% 50.0V Y5P	CCKIC0181NA
C410	CPM 68N0F +5% 63.0V	CFLJC0683NN
C411	CE 10U0F +20% 50.0V 85C	CEHIC0106NN
C412	CE 10U0F +20% 50.0V 85C	CEHIC0106NN
C413	CPM 100N0F +10% 63.0V	CFIJC0104NN
C414	CPM 100N0F +10% 63.0V	CFIJC0104NN
C420	CC 4N7F +10% -10% 50.0V Y5P	CCKIC0472NA
C431	CC 3N3F +10% -10% 50.0V Y5P	CCKIC0332NA
C501	CE 470U0F +20% 63.0V 85C	CEHJA0477MN
C502	CE 470U0F +20% 63.0V 85C	CEHJA0477MN
C503	CE 10U0F +20% 50.0V 85C	CEHIC0106NN
C504	CC 270P0F +10% -10% 50.0V Y5P	CCKIC0271NA-A
C505	CE 100U0F +20% 25.0V 6.3X1185C	CEHGC0107NN
C506	CC 270P0F +10% -10% 50.0V Y5P	CCKIC0271NA-A
C507	CC 3P0F +0P25F -0P25F 50.0V NP0	CCDIC0030NE
C508	CE 220U0F +20% 10.0V 85C	CEHEC0227NN-A
C509	CC 180P0F +10% -10% 50.0V Y5P	CCKIC0181NA
C510	CPM 68N0F +5% 63.0V	CFLJC0683NN
C511	CE 10U0F +20% 50.0V 85C	CEHIC0106NN
C512	CE 10U0F +20% 50.0V 85C	CEHIC0106NN
C513	CPM 100N0F +10% 63.0V	CFIJC0104NN
C514	CPM 100N0F +10% 63.0V	CFIJC0104NN
C520	CC 4N7F +10% -10% 50.0V Y5P	CCKIC0472NA
C531	CC 3N3F +10% -10% 50.0V Y5P	CCKIC0332NA
C601	CE 10U0F +20% 50.0V 85C	CEHIC0106NN
D301	D-SLP 1N4148 100.0V 150E-3A	H01-DG1N04148NB
D302	D-SLP 1N4148 100.0V 150E-3A	H01-DG1N04148NB
D303	D-SLP 1N4148 100.0V 150E-3A	H01-DG1N04148NB
D304	D-SLP 1N4148 100.0V 150E-3A	H01-DG1N04148NB
D401	D-SLP 1N4148 100.0V 150E-3A	H01-DG1N04148NB
D402	D-SLP 1N4148 100.0V 150E-3A	H01-DG1N04148NB
D403	D-SLP 1N4148 100.0V 150E-3A	H01-DG1N04148NB
D404	D-SLP 1N4148 100.0V 150E-3A	H01-DG1N04148NB
D501	D-SLP 1N4148 100.0V 150E-3A	H01-DG1N04148NB
D502	D-SLP 1N4148 100.0V 150E-3A	H01-DG1N04148NB
D503	D-SLP 1N4148 100.0V 150E-3A	H01-DG1N04148NB
D504	D-SLP 1N4148 100.0V 150E-3A	H01-DG1N04148NB
D601	D-SLP 1N4148 100.0V 150E-3A	H01-DG1N04148NB
G601	TERMLUG GND	H01-ZNMSA4004SN
G602	TERMLUG GND	H01-ZNMSA4004SN
G603	TERMLUG GND	H01-ZNMSA4004SN
G604	TERMLUG GND	H01-ZNMSA4004SN

POS	PART NAME	PART NUMBER
G605	TERMLUG GND	H01-ZNMSA4004SN
L301	LFA 1MM 10MM 5 LEFT 0.0MM NONE	H01-LCNNNA050NA
L401	LFA 1MM 10MM 5 LEFT 0.0MM NONE	H01-LCNNNA050NA
L501	LFA 1MM 10MM 5 LEFT 0.0MM NONE	H01-LCNNNA050NA
N301	WIRECONASY DL 2.0MM UNIQUE 3P 420MM UL1007 PVC DISCRETE 26 1	H01-WG03SB84200
N306	WIRECONASY DL 2.0MM 6P 260MM UL1533 SHIELD 26 1	H01-WS6262605EN
NJ31	CONN-SPE TERMINAL SPKR 6P SH0611708P FE 19MM 6 BK 0 0	H01-SOPA619BKNN
P301	CONN 2.5MM 2 MA R NAT 0 0	H01-WN02AD00000-A
P303	CON 3.96MM PITCH MOLEX 35313-0310	H01-WN03SE00000
P304	CON 3.96MM PITCH MOLEX 35313-0410	H01-WN04SE00000
P307	CONN 2.0MM 3 MA ST NAT GT201-3P-TS	H01-WN03SB00000
P308	CONN 2.5MM 2 MA R NAT 0 0	H01-WN02AD00000-A
P309	CONN 2.5MM 2 MA R NAT 0 0	H01-WN02AD00000-A
PO51	POS 100R0 OHM 16.0V	H01-RP3NA0101NN-A
PO52	POS 100R0 OHM 16.0V RED	H01-RP3NA0101NZ
Q301	TR-SHPLF KTC3200BL N 100MIOA 120V	H01-TRKTC3200NA
Q302	TR-SHPLF KTC3200BL N 100MIOA 120V	H01-TRKTC3200NA
Q303	TR-SHPLF KTC3200BL N 100MIOA 120V	H01-TRKTC3200NA
Q304	TR-SLPLF KTC3198BL N 150MIOA	H01-TRKTC3198NA
Q305	TR-SLPLF 2SA1145Y TO-92MOD P -50MIOA -150V	H01-TR2SA1145NA
Q306	TR-SHPLF KTA1268BL P 100MIOA 120V	H01-TRKTA1268NA
Q307	TR-SHPLF KTC3200BL N 100MIOA 120V	H01-TRKTC3200NA
Q308	TR-SLPLF KTA1024 Y P 50MIOA -150V	H01-TRKTA1024NA
Q309	TR-SLPLF KTC3206 Y N 50MIOA 150V	H01-TRKTC3206NA-A
Q311	TR-SLPLF KTA1024 Y P 50MIOA -150V	H01-TRKTA1024NA
Q312	TR-SLPLF KTC3206 Y N 50MIOA 150V	H01-TRKTC3206NA-A
Q313	TR-SLPLF KTC3206 Y N 50MIOA 150V	H01-TRKTC3206NA-A
Q314	TR-SHPLF 2SC4137 N 100MIOA 20V	H01-TR2SC4137BE
Q315	TR-SLPLF KTA1024 Y P 50MIOA -150V	H01-TRKTA1024NA
Q316	TR-SHPLF 2SA1859A P -2.0A	H01-TR2SA1859BC
Q317	TR-SHPLF 2SC4883A N 2.0A	H01-TR2SC4883BC
Q318	TR-SHPLF 2SC5358-R N 15.0A	H01-TR2SC5358BO
Q319	TR-SHPLF 2SA1986-R P -15.0A	H01-TR2SA1986BE
Q320	TR-SHPLF KTC3200BL N 100MIOA 120V	H01-TRKTC3200NA
Q401	TR-SHPLF KTC3200BL N 100MIOA 120V	H01-TRKTC3200NA
Q402	TR-SHPLF KTC3200BL N 100MIOA 120V	H01-TRKTC3200NA
Q403	TR-SHPLF KTC3200BL N 100MIOA 120V	H01-TRKTC3200NA
Q404	TR-SLPLF KTC3198BL N 150MIOA	H01-TRKTC3198NA
Q405	TR-SLPLF 2SA1145Y TO-92MOD P -50MIOA -150V	H01-TR2SA1145NA
Q406	TR-SHPLF KTA1268BL P 100MIOA 120V	H01-TRKTA1268NA
Q407	TR-SHPLF KTC3200BL N 100MIOA 120V	H01-TRKTC3200NA
Q408	TR-SLPLF KTA1024 Y P 50MIOA -150V	H01-TRKTA1024NA
Q409	TR-SLPLF KTC3206 Y N 50MIOA 150V	H01-TRKTC3206NA-A
Q411	TR-SLPLF KTA1024 Y P 50MIOA -150V	H01-TRKTA1024NA
Q412	TR-SLPLF KTC3206 Y N 50MIOA 150V	H01-TRKTC3206NA-A
Q413	TR-SLPLF KTC3206 Y N 50MIOA 150V	H01-TRKTC3206NA-A
Q414	TR-SHPLF 2SC4137 N 100MIOA 20V	H01-TR2SC4137BE
Q415	TR-SLPLF KTA1024 Y P 50MIOA -150V	H01-TRKTA1024NA
Q416	TR-SHPLF 2SA1859A P -2.0A	H01-TR2SA1859BC
Q417	TR-SHPLF 2SC4883A N 2.0A	H01-TR2SC4883BC
Q418	TR-SHPLF 2SC5358-R N 15.0A	H01-TR2SC5358BO
Q419	TR-SHPLF 2SA1986-R P -15.0A	H01-TR2SA1986BE
Q420	TR-SHPLF KTC3200BL N 100MIOA 120V	H01-TRKTC3200NA
Q501	TR-SHPLF KTC3200BL N 100MIOA 120V	H01-TRKTC3200NA
Q502	TR-SHPLF KTC3200BL N 100MIOA 120V	H01-TRKTC3200NA
Q503	TR-SHPLF KTC3200BL N 100MIOA 120V	H01-TRKTC3200NA
Q504	TR-SLPLF KTC3198BL N 150MIOA	H01-TRKTC3198NA
Q505	TR-SLPLF 2SA1145Y TO-92MOD P -50MIOA -150V	H01-TR2SA1145NA
Q506	TR-SHPLF KTA1268BL P 100MIOA 120V	H01-TRKTA1268NA
Q507	TR-SHPLF KTC3200BL N 100MIOA 120V	H01-TRKTC3200NA
Q508	TR-SLPLF KTA1024 Y P 50MIOA -150V	H01-TRKTA1024NA
Q509	TR-SLPLF KTC3206 Y N 50MIOA 150V	H01-TRKTC3206NA-A
Q511	TR-SLPLF KTA1024 Y P 50MIOA -150V	H01-TRKTA1024NA
Q512	TR-SLPLF KTC3206 Y N 50MIOA 150V	H01-TRKTC3206NA-A
Q513	TR-SLPLF KTC3206 Y N 50MIOA 150V	H01-TRKTC3206NA-A
Q514	TR-SHPLF 2SC4137 N 100MIOA 20V	H01-TR2SC4137BE

POS	PART NAME	PART NUMBER
Q515	TR-SLPLF KTA1024 Y P 50MIOA -150V	H01-TRKTA1024NA
Q516	TR-SHPLF 2SA1859A P -2.0A	H01-TR2SA1859BC
Q517	TR-SHPLF 2SC4883A N 2.0A	H01-TR2SC4883BC
Q518	TR-SHPLF 2SC5358-R N 15.0A	H01-TR2SC5358BO
Q519	TR-SHPLF 2SA1986-R P -15.0A	H01-TR2SA1986BE
Q520	TR-SHPLF KTC3200BL N 100MIOA 120V	H01-TRKTC3200NA
Q601	TR-SHPLF KTA1268BL P 100MIOA 120V	H01-TRKTA1268NA
R301	RCF 330R0 OHM +5% 250MIOW	RC3DI0331IN
R302	RCF 33K0 OHM +5% 250MIOW	RC3DI0333IN
R303	RMF 10R0 OHM +5% 500MIOW	H01-RM3EG0100LN-A
R304	RCF 43K0 OHM +5% 250MIOW	RC3DI0433IN
R305	RCF 220R0 OHM +5% 250MIOW	RC3DI0221IN
R306	RCF 220R0 OHM +5% 250MIOW	RC3DI0221IN
R307	RCF 220R0 OHM +5% 250MIOW	RC3DI0221IN
R308	RCF 470R0 OHM +5% 250MIOW	RC3DI0471IN
R309	RCF 1K6 OHM +5% 250MIOW	RC3DI0162IN
R310	RCF 1K6 OHM +5% 250MIOW	RC3DI0162IN
R311	RCF 560R0 OHM +5% 250MIOW	RC3DI0561IN-A
R312	RMF 33K0 OHM +1% 250MIOW	RM1DI0333IN
R313	RMF 1K45 OHM +1% 250MIOW	RM1DI1451IN
R314	RCF 560R0 OHM +5% 250MIOW	RC3DI0561IN-A
R315	RCF 560R0 OHM +5% 250MIOW	RC3DI0561IN-A
R316	RCF 560R0 OHM +5% 250MIOW	RC3DI0561IN-A
R317	RCF 560R0 OHM +5% 250MIOW	RC3DI0561IN-A
R318	RCF 560R0 OHM +5% 250MIOW	RC3DI0561IN-A
R319	RCF 200R0 OHM +5% 250MIOW	RC3DI0201IN
R320	RCF 15K0 OHM +5% 250MIOW	RC3DI0153IN
R321	RCF 15K0 OHM +5% 250MIOW	RC3DI0153IN
R322	RCF 200R0 OHM +5% 250MIOW	RC3DI0201IN
R323	RCF 200R0 OHM +5% 250MIOW	RC3DI0201IN
R324	RCF 200R0 OHM +5% 250MIOW	RC3DI0201IN
R325	RMF 10R0 OHM +5% 500MIOW	H01-RM3EG0100LN-A
R326	RCF 100R0 OHM +5% 250MIOW	RC3DI0101IN
R327	RCF 2R2 OHM +5% 250MIOW	RC3DI022AIN
R328	RCF 15R0 OHM +5% 250MIOW	RC3DI0150IN
R329	RCF 1K2 OHM +5% 250MIOW	RC3DI0122IN
R330	RCF 270R0 OHM +5% 250MIOW	RC3DI0271IN
R333	RMF 10R0 OHM +5% 500MIOW	H01-RM3EG0100LN-A
R334	RCF 82R0 OHM +5% 250MIOW	RC3DI0820IN
R335	RCF 15R0 OHM +5% 250MIOW	RC3DI0150IN
R336	RCF 100R0 OHM +5% 250MIOW	RC3DI0101IN
R337	RCF 2R2 OHM +5% 250MIOW	RC3DI022AIN
R338	RW 220MIO OHM +5% 5.0W 100PPM/C -100PPM/C	H01-R13IC022BEN
R339	RCF 1K5 OHM +5% 250MIOW	RC3DI0152IN
R340	RCF 15K0 OHM +5% 250MIOW	RC3DI0153IN
R341	RCF 1K5 OHM +5% 250MIOW	RC3DI0152IN
R342	RCF 39K0 OHM +5% 250MIOW	RC3DI0393IN
R343	RCF 10R0 OHM +5% 500MIOW	RC3EG0100LN
R344	RCF 22K0 OHM +5% 250MIOW	RC3DI0223IN
R345	RMOF 10R0 OHM +5% 1.0W	RM3FC0100BN
R346	RCF 100K0 OHM +5% 250MIOW	RC3DI0104IN
R401	RCF 330R0 OHM +5% 250MIOW	RC3DI0331IN
R402	RCF 33K0 OHM +5% 250MIOW	RC3DI0333IN
R403	RMF 10R0 OHM +5% 500MIOW	H01-RM3EG0100LN-A
R404	RCF 43K0 OHM +5% 250MIOW	RC3DI0433IN
R405	RCF 220R0 OHM +5% 250MIOW	RC3DI0221IN
R406	RCF 220R0 OHM +5% 250MIOW	RC3DI0221IN
R407	RCF 220R0 OHM +5% 250MIOW	RC3DI0221IN
R408	RCF 470R0 OHM +5% 250MIOW	RC3DI0471IN
R409	RCF 1K6 OHM +5% 250MIOW	RC3DI0162IN
R410	RCF 1K6 OHM +5% 250MIOW	RC3DI0162IN
R411	RCF 560R0 OHM +5% 250MIOW	RC3DI0561IN-A
R412	RMF 33K0 OHM +1% 250MIOW	RM1DI0333IN
R413	RMF 1K45 OHM +1% 250MIOW	RM1DI1451IN
R414	RCF 560R0 OHM +5% 250MIOW	RC3DI0561IN-A
R415	RCF 560R0 OHM +5% 250MIOW	RC3DI0561IN-A

POS	PART NAME	PART NUMBER
R416	RCF 560R0 OHM +5% 250MIOW	RC3DI0561IN-A
R417	RCF 560R0 OHM +5% 250MIOW	RC3DI0561IN-A
R418	RCF 560R0 OHM +5% 250MIOW	RC3DI0561IN-A
R419	RCF 200R0 OHM +5% 250MIOW	RC3DI0201IN
R420	RCF 15K0 OHM +5% 250MIOW	RC3DI0153IN
R421	RCF 15K0 OHM +5% 250MIOW	RC3DI0153IN
R422	RCF 200R0 OHM +5% 250MIOW	RC3DI0201IN
R423	RCF 200R0 OHM +5% 250MIOW	RC3DI0201IN
R424	RCF 200R0 OHM +5% 250MIOW	RC3DI0201IN
R425	RMF 10R0 OHM +5% 500MIOW	H01-RM3EG0100LN-A
R426	RCF 100R0 OHM +5% 250MIOW	RC3DI0101IN
R427	RCF 2R2 OHM +5% 250MIOW	RC3DI022AIN
R428	RCF 15R0 OHM +5% 250MIOW	RC3DI0150IN
R429	RCF 1K2 OHM +5% 250MIOW	RC3DI0122IN
R430	RCF 270R0 OHM +5% 250MIOW	RC3DI0271IN
R433	RMF 10R0 OHM +5% 500MIOW	H01-RM3EG0100LN-A
R434	RCF 82R0 OHM +5% 250MIOW	RC3DI0820IN
R435	RCF 15R0 OHM +5% 250MIOW	RC3DI0150IN
R436	RCF 100R0 OHM +5% 250MIOW	RC3DI0101IN
R437	RCF 2R2 OHM +5% 250MIOW	RC3DI022AIN
R438	RW 220MIO OHM +5% 5.0W 100PPM/C -100PPM/C	H01-RI3IC022BEN
R439	RCF 1K5 OHM +5% 250MIOW	RC3DI0152IN
R440	RCF 15K0 OHM +5% 250MIOW	RC3DI0153IN
R441	RCF 1K5 OHM +5% 250MIOW	RC3DI0152IN
R442	RCF 39K0 OHM +5% 250MIOW	RC3DI0393IN
R443	RCF 10R0 OHM +5% 500MIOW	RC3EG0100LN
R444	RCF 22K0 OHM +5% 250MIOW	RC3DI0223IN
R445	RMOF 10R0 OHM +5% 1.0W	RM3FC0100BN
R446	RCF 100K0 OHM +5% 250MIOW	RC3DI0104IN
R501	RCF 330R0 OHM +5% 250MIOW	RC3DI0331IN
R502	RCF 33K0 OHM +5% 250MIOW	RC3DI0333IN
R503	RMF 10R0 OHM +5% 500MIOW	H01-RM3EG0100LN-A
R504	RCF 43K0 OHM +5% 250MIOW	RC3DI0433IN
R505	RCF 220R0 OHM +5% 250MIOW	RC3DI0221IN
R506	RCF 220R0 OHM +5% 250MIOW	RC3DI0221IN
R507	RCF 220R0 OHM +5% 250MIOW	RC3DI0221IN
R508	RCF 470R0 OHM +5% 250MIOW	RC3DI0471IN
R509	RCF 1K6 OHM +5% 250MIOW	RC3DI0162IN
R510	RCF 1K6 OHM +5% 250MIOW	RC3DI0162IN
R511	RCF 560R0 OHM +5% 250MIOW	RC3DI0561IN-A
R512	RMF 33K0 OHM +1% 250MIOW	RM1DI0333IN
R513	RMF 1K45 OHM +1% 250MIOW	RM1DI1451IN
R514	RCF 560R0 OHM +5% 250MIOW	RC3DI0561IN-A
R515	RCF 560R0 OHM +5% 250MIOW	RC3DI0561IN-A
R516	RCF 560R0 OHM +5% 250MIOW	RC3DI0561IN-A
R517	RCF 560R0 OHM +5% 250MIOW	RC3DI0561IN-A
R518	RCF 560R0 OHM +5% 250MIOW	RC3DI0561IN-A
R519	RCF 200R0 OHM +5% 250MIOW	RC3DI0201IN
R520	RCF 15K0 OHM +5% 250MIOW	RC3DI0153IN
R521	RCF 15K0 OHM +5% 250MIOW	RC3DI0153IN
R522	RCF 200R0 OHM +5% 250MIOW	RC3DI0201IN
R523	RCF 200R0 OHM +5% 250MIOW	RC3DI0201IN
R524	RCF 200R0 OHM +5% 250MIOW	RC3DI0201IN
R525	RMF 10R0 OHM +5% 500MIOW	H01-RM3EG0100LN-A
R526	RCF 100R0 OHM +5% 250MIOW	RC3DI0101IN
R527	RCF 2R2 OHM +5% 250MIOW	RC3DI022AIN
R528	RCF 15R0 OHM +5% 250MIOW	RC3DI0150IN
R529	RCF 1K2 OHM +5% 250MIOW	RC3DI0122IN
R530	RCF 270R0 OHM +5% 250MIOW	RC3DI0271IN
R533	RMF 10R0 OHM +5% 500MIOW	H01-RM3EG0100LN-A
R534	RCF 82R0 OHM +5% 250MIOW	RC3DI0820IN
R535	RCF 15R0 OHM +5% 250MIOW	RC3DI0150IN
R536	RCF 100R0 OHM +5% 250MIOW	RC3DI0101IN
R537	RCF 2R2 OHM +5% 250MIOW	RC3DI022AIN
R538	RW 220MIO OHM +5% 5.0W 100PPM/C -100PPM/C	H01-RI3IC022BEN
R539	RCF 1K5 OHM +5% 250MIOW	RC3DI0152IN

POS	PART NAME	PART NUMBER
R540	RCF 15K0 OHM +5% 250MI0W	RC3DI0153IN
R541	RCF 1K5 OHM +5% 250MI0W	RC3DI0152IN
R542	RCF 39K0 OHM +5% 250MI0W	RC3DI0393IN
R543	RCF 10R0 OHM +5% 500MI0W	RC3EG0100LN
R544	RCF 22K0 OHM +5% 250MI0W	RC3DI0223IN
R545	RMOF 10R0 OHM +5% 1.0W	RM3FC0100BN
R546	RCF 100K0 OHM +5% 250MI0W	RC3DI0104IN
R601	RCF 10K0 OHM +5% 250MI0W	RC3DI0103IN
R602	RCF 39K0 OHM +5% 250MI0W	RC3DI0393IN
R603	RCF 39K0 OHM +5% 250MI0W	RC3DI0393IN
R604	RCF 39K0 OHM +5% 250MI0W	RC3DI0393IN
R605	RCF 100K0 OHM +5% 250MI0W	RC3DI0104IN
R606	RCF 10K0 OHM +5% 250MI0W	RC3DI0103IN
VR31	PR 200R0 OHM +20% 500MI0W	H01-RT7EA0201NB
VR32	PR 200R0 OHM +20% 500MI0W	H01-RT7EA0201NB
VR51	PR 200R0 OHM +20% 500MI0W	H01-RT7EA0201NB
W401	WCL 090-05-05 UL1007 HOOK-UP 22 90MM BK 05 05	H01-WC1220905C1-A

POS	PART NAME	PART NUMBER
C1	CCCFMIC 10P0F +0P5F -0P5F 50.0V NP0	CZEII0100BE
C100	CCCFMIC 100P0F +5% -5% 50.0V NP0 0603	CZJII0101BE
C101	CCCFMIC 100P0F +5% -5% 50.0V NP0 0603	CZJII0101BE
C102	CCCFMIC 100P0F +5% -5% 50.0V NP0 0603	CZJII0101BE
C103	CCCFMIC 100P0F +5% -5% 50.0V NP0 0603	CZJII0101BE
C104	CCCFMIC 100P0F +5% -5% 50.0V NP0 0603	CZJII0101BE
C105	CCCFMIC 100P0F +5% -5% 50.0V NP0 0603	CZJII0101BE
C106	CCCFMIC 100P0F +5% -5% 50.0V NP0 0603	CZJII0101BE
C107	CCCFMIC 100P0F +5% -5% 50.0V NP0 0603	CZJII0101BE
C108	CCCFMIC 100P0F +5% -5% 50.0V NP0 0603	CZJII0101BE
C109	CCCFMIC 100P0F +5% -5% 50.0V NP0 0603	CZJII0101BE
C110	CCCFMIC 100P0F +5% -5% 50.0V NP0 0603	CZJII0101BE
C111	CCCFMIC 100P0F +5% -5% 50.0V NP0 0603	CZJII0101BE
C112	CCCFMIC 100P0F +5% -5% 50.0V NP0 0603	CZJII0101BE
C113	CCCFMIC 100P0F +5% -5% 50.0V NP0 0603	CZJII0101BE
C114	CCCFMIC 100P0F +5% -5% 50.0V NP0 0603	CZJII0101BE
C115	CCCFMIC 100P0F +5% -5% 50.0V NP0 0603	CZJII0101BE
C116	CCCFMIC 100N0F +80% -20% 16.0V Y5V	CZZFI0104BF
C117	CCCFMIC 100N0F +80% -20% 16.0V Y5V	CZZFI0104BF
C118	CCCFMIC 100N0F +80% -20% 16.0V Y5V	CZZFI0104BF
C119	CCCFMIC 100N0F +80% -20% 16.0V Y5V	CZZFI0104BF
C120	CCCFMIC 100N0F +80% -20% 16.0V Y5V	CZZFI0104BF
C121	CCCFMIC 100N0F +80% -20% 16.0V Y5V	CZZFI0104BF
C122	CCCFMIC 100N0F +80% -20% 16.0V Y5V	CZZFI0104BF
C123	CCCFMIC 100N0F +80% -20% 16.0V Y5V	CZZFI0104BF
C124	CCCFMIC 100N0F +80% -20% 16.0V Y5V	CZZFI0104BF
C125	CCCFMIC 100N0F +80% -20% 16.0V Y5V	CZZFI0104BF
C126	CE 10U0F 16.0V 5X11 P2.5MM	CEHFC0106MN
C127	CE 10U0F 16.0V 5X11 P2.5MM	CEHFC0106MN
C128	CE 10U0F 16.0V 5X11 P2.5MM	CEHFC0106MN
C129	CE 10U0F 16.0V 5X11 P2.5MM	CEHFC0106MN
C130	CE 10U0F 16.0V 5X11 P2.5MM	CEHFC0106MN
C131	CE 10U0F 16.0V 5X11 P2.5MM	CEHFC0106MN
C132	CE 10U0F 16.0V 5X11 P2.5MM	CEHFC0106MN
C133	CE 10U0F 16.0V 5X11 P2.5MM	CEHFC0106MN
C134	CE 10U0F 16.0V 5X11 P2.5MM	CEHFC0106MN
C135	CE 10U0F 16.0V 5X11 P2.5MM	CEHFC0106MN
C136	CE 10U0F 16.0V 5X11 P2.5MM	CEHFC0106MN
C137	CE 10U0F 16.0V 5X11 P2.5MM	CEHFC0106MN
C138	CE 10U0F 16.0V 5X11 P2.5MM	CEHFC0106MN
C139	CE 10U0F 16.0V 5X11 P2.5MM	CEHFC0106MN
C140	CE 10U0F 16.0V 5X11 P2.5MM	CEHFC0106MN
C141	CE 10U0F 16.0V 5X11 P2.5MM	CEHFC0106MN
C142	CCCFMIC 100P0F +5% -5% 50.0V NP0 0603	CZJII0101BE
C143	CCCFMIC 100P0F +5% -5% 50.0V NP0 0603	CZJII0101BE
C144	CCCFMIC 100P0F +5% -5% 50.0V NP0 0603	CZJII0101BE
C145	CCCFMIC 100P0F +5% -5% 50.0V NP0 0603	CZJII0101BE
C146	CCCFMIC 100P0F +5% -5% 50.0V NP0 0603	CZJII0101BE
C147	CCCFMIC 100P0F +5% -5% 50.0V NP0 0603	CZJII0101BE
C148	CCCFMIC 100P0F +5% -5% 50.0V NP0 0603	CZJII0101BE
C149	CCCFMIC 100P0F +5% -5% 50.0V NP0 0603	CZJII0101BE
C150	CAP ELEC 100U0F 16.0V M 5X11 P2.5MM	CEHFC0107MN
C151	CAP ELEC 100U0F 16.0V M 5X11 P2.5MM	CEHFC0107MN
C152	CAP ELEC 100U0F 16.0V M 5X11 P2.5MM	CEHFC0107MN
C153	CAP ELEC 100U0F 16.0V M 5X11 P2.5MM	CEHFC0107MN
C154	CCCFMIC 100N0F +80% -20% 16.0V Y5V	CZZFI0104BF
C155	CCCFMIC 100N0F +80% -20% 16.0V Y5V	CZZFI0104BF
C156	CCCFMIC 100N0F +80% -20% 16.0V Y5V	CZZFI0104BF
C157	CCCFMIC 100N0F +80% -20% 16.0V Y5V	CZZFI0104BF
C158	CCCFMIC 100N0F +80% -20% 16.0V Y5V	CZZFI0104BF
C159	CCCFMIC 100N0F +80% -20% 16.0V Y5V	CZZFI0104BF
C160	CCCFMIC 100N0F +80% -20% 16.0V Y5V	CZZFI0104BF
C161	CCCFMIC 100N0F +80% -20% 16.0V Y5V	CZZFI0104BF
C162	CCCFMIC 100N0F +80% -20% 16.0V Y5V	CZZFI0104BF
C163	CCCFMIC 100N0F +80% -20% 16.0V Y5V	CZZFI0104BF
C164	CCCFMIC 100N0F +80% -20% 16.0V Y5V	CZZFI0104BF

POS	PART NAME	PART NUMBER
C165	CCCFMIC 100NOF +80% -20% 16.0V Y5V	CZZFI0104BF
C167	CCCFMIC 100NOF +80% -20% 16.0V Y5V	CZZFI0104BF
C168	CCCFMIC 100NOF +80% -20% 16.0V Y5V	CZZFI0104BF
C169	CCCFMIC 100NOF +80% -20% 16.0V Y5V	CZZFI0104BF
C170	CCCFMIC 100NOF +80% -20% 16.0V Y5V	CZZFI0104BF
C171	CCCFMIC 100NOF +80% -20% 16.0V Y5V	CZZFI0104BF
C172	CCCFMIC 100NOF +80% -20% 16.0V Y5V	CZZFI0104BF
C173	CCCFMIC 100NOF +80% -20% 16.0V Y5V	CZZFI0104BF
C174	CCCFMIC 100NOF +80% -20% 16.0V Y5V	CZZFI0104BF
C175	CCCFMIC 100POF +5% -5% 50.0V NP0 0603	CZJII0101BE
C176	CCCFMIC 100POF +5% -5% 50.0V NP0 0603	CZJII0101BE
C177	CCCFMIC 100POF +5% -5% 50.0V NP0 0603	CZJII0101BE
C178	CCCFMIC 100POF +5% -5% 50.0V NP0 0603	CZJII0101BE
C179	CCCFMIC 100POF +5% -5% 50.0V NP0 0603	CZJII0101BE
C180	CCCFMIC 100POF +5% -5% 50.0V NP0 0603	CZJII0101BE
C181	CCCFMIC 100POF +5% -5% 50.0V NP0 0603	CZJII0101BE
C182	CCCFMIC 100POF +5% -5% 50.0V NP0 0603	CZJII0101BE
C183	CCCFMIC 1N0F +10% -10% 50.0V X7R 0603	CZKII0102BC
C184	CCCFMIC 1N0F +10% -10% 50.0V X7R 0603	CZKII0102BC
C185	CCCFMIC 1N0F +10% -10% 50.0V X7R 0603	CZKII0102BC
C186	CCCFMIC 1N0F +10% -10% 50.0V X7R 0603	CZKII0102BC
C187	CCCFMIC 1N0F +10% -10% 50.0V X7R 0603	CZKII0102BC
C188	CCCFMIC 1N0F +10% -10% 50.0V X7R 0603	CZKII0102BC
C189	CCCFMIC 1N0F +10% -10% 50.0V X7R 0603	CZKII0102BC
C190	CCCFMIC 1N0F +10% -10% 50.0V X7R 0603	CZKII0102BC
C191	CCCFMIC 100NOF +80% -20% 16.0V Y5V	CZZFI0104BF
C192	CCCFMIC 100NOF +80% -20% 16.0V Y5V	CZZFI0104BF
C193	CCCFMIC 100NOF +80% -20% 16.0V Y5V	CZZFI0104BF
C194	CCCFMIC 100NOF +80% -20% 16.0V Y5V	CZZFI0104BF
C195	CCCFMIC 100NOF +80% -20% 16.0V Y5V	CZZFI0104BF
C196	CCCFMIC 100NOF +80% -20% 16.0V Y5V	CZZFI0104BF
C197	CCCFMIC 100NOF +80% -20% 16.0V Y5V	CZZFI0104BF
C198	CCCFMIC 100NOF +80% -20% 16.0V Y5V	CZZFI0104BF
C199	CCCFMIC 100NOF +80% -20% 16.0V Y5V	CZZFI0104BF
C200	CCCFMIC 100NOF +80% -20% 16.0V Y5V	CZZFI0104BF
C201	CCCFMIC 100NOF +80% -20% 16.0V Y5V	CZZFI0104BF
C202	CCCFMIC 100NOF +80% -20% 16.0V Y5V	CZZFI0104BF
C203	CE 1U0F +20% 50.0V 5X11 85C	CEHIC0105NN
C204	CE 1U0F +20% 50.0V 5X11 85C	CEHIC0105NN
C205	CE 1U0F +20% 50.0V 5X11 85C	CEHIC0105NN
C206	CE 1U0F +20% 50.0V 5X11 85C	CEHIC0105NN
C207	CE 1U0F +20% 50.0V 5X11 85C	CEHIC0105NN
C208	CE 1U0F +20% 50.0V 5X11 85C	CEHIC0105NN
C209	CE 1U0F +20% 50.0V 5X11 85C	CEHIC0105NN
C210	CE 1U0F +20% 50.0V 5X11 85C	CEHIC0105NN
C211	CE 47U0F +20% 16.0V 5X11 P2.5MM	CEHFC0476MN
C212	CE 47U0F +20% 16.0V 5X11 P2.5MM	CEHFC0476MN
C213	CE 47U0F +20% 16.0V 5X11 P2.5MM	CEHFC0476MN
C214	CE 47U0F +20% 16.0V 5X11 P2.5MM	CEHFC0476MN
C215	CCCFMIC 100NOF +80% -20% 16.0V Y5V	CZZFI0104BF
C216	CCCFMIC 100NOF +80% -20% 16.0V Y5V	CZZFI0104BF
C217	CCCFMIC 100NOF +80% -20% 16.0V Y5V	CZZFI0104BF
C218	CCCFMIC 100NOF +80% -20% 16.0V Y5V	CZZFI0104BF
C219	CCCFMIC 100NOF +80% -20% 16.0V Y5V	CZZFI0104BF
C220	CCCFMIC 100NOF +80% -20% 16.0V Y5V	CZZFI0104BF
C221	CCCFMIC 100NOF +80% -20% 16.0V Y5V	CZZFI0104BF
C222	CCCFMIC 100NOF +80% -20% 16.0V Y5V	CZZFI0104BF
C223	CE 1U0F +20% 50.0V 5X11 85C	CEHIC0105NN
C224	CE 1U0F +20% 50.0V 5X11 85C	CEHIC0105NN
C225	CE 1U0F +20% 50.0V 5X11 85C	CEHIC0105NN
C226	CE 1U0F +20% 50.0V 5X11 85C	CEHIC0105NN
C227	CE 1U0F +20% 50.0V 5X11 85C	CEHIC0105NN
C228	CE 1U0F +20% 50.0V 5X11 85C	CEHIC0105NN
C229	CE 1U0F +20% 50.0V 5X11 85C	CEHIC0105NN
C230	CE 1U0F +20% 50.0V 5X11 85C	CEHIC0105NN
C231	CE 10U0F 16.0V 5X11 P2.5MM	CEHFC0106MN

POS	PART NAME	PART NUMBER
C232	CE 10U0F 16.0V 5X11 P2.5MM	CEHFC0106MN
C233	CAP ELEC 100U0F 16.0V M 5X11 P2.5MM	CEHFC0107MN
C234	CCCFMIC 100N0F +80% -20% 16.0V Y5V	CZZFI0104BF
C235	CCCFMIC 100P0F +5% -5% 50.0V NPO 0603	CZJII0101BE
C236	CCCFMIC 100P0F +5% -5% 50.0V NPO 0603	CZJII0101BE
C237	CCCFMIC 100P0F +5% -5% 50.0V NPO 0603	CZJII0101BE
C238	CCCFMIC 100P0F +5% -5% 50.0V NPO 0603	CZJII0101BE
C239	CCCFMIC 100N0F +80% -20% 16.0V Y5V	CZZFI0104BF
C240	CCCFMIC 100N0F +80% -20% 16.0V Y5V	CZZFI0104BF
C241	CCCFMIC 100N0F +80% -20% 16.0V Y5V	CZZFI0104BF
C242	CCCFMIC 100N0F +80% -20% 16.0V Y5V	CZZFI0104BF
C243	CCCFMIC 1N0F +10% -10% 50.0V X7R 0603	CZKII0102BC
C244	CCCFMIC 1N0F +10% -10% 50.0V X7R 0603	CZKII0102BC
C400	CE 10U0F 16.0V 5X11 P2.5MM	CEHFC0106MN
C401	CE 10U0F 16.0V 5X11 P2.5MM	CEHFC0106MN
C402	CE 10U0F 16.0V 5X11 P2.5MM	CEHFC0106MN
C403	CE 10U0F 16.0V 5X11 P2.5MM	CEHFC0106MN
C404	CE 10U0F 16.0V 5X11 P2.5MM	CEHFC0106MN
C405	CE 10U0F 16.0V 5X11 P2.5MM	CEHFC0106MN
C406	CE 10U0F 16.0V 5X11 P2.5MM	CEHFC0106MN
C407	CE 10U0F 16.0V 5X11 P2.5MM	CEHFC0106MN
C408	CE 10U0F 16.0V 5X11 P2.5MM	CEHFC0106MN
C409	CE 10U0F 16.0V 5X11 P2.5MM	CEHFC0106MN
C410	CE 10U0F 16.0V 5X11 P2.5MM	CEHFC0106MN
C411	CE 10U0F 16.0V 5X11 P2.5MM	CEHFC0106MN
C412	CE 10U0F 16.0V 5X11 P2.5MM	CEHFC0106MN
C413	CE 10U0F 16.0V 5X11 P2.5MM	CEHFC0106MN
C414	CE 10U0F 16.0V 5X11 P2.5MM	CEHFC0106MN
C415	CE 10U0F 16.0V 5X11 P2.5MM	CEHFC0106MN
C416	CCCFMIC 2N7F +10% -10% 50.0V X7R	CZKII0272BC
C417	CCCFMIC 2N7F +10% -10% 50.0V X7R	CZKII0272BC
C418	CCCFMIC 2N7F +10% -10% 50.0V X7R	CZKII0272BC
C419	CCCFMIC 2N7F +10% -10% 50.0V X7R	CZKII0272BC
C420	CCCFMIC 2N7F +10% -10% 50.0V X7R	CZKII0272BC
C421	CCCFMIC 2N7F +10% -10% 50.0V X7R	CZKII0272BC
C422	CCCFMIC 2N7F +10% -10% 50.0V X7R	CZKII0272BC
C423	CCCFMIC 2N7F +10% -10% 50.0V X7R	CZKII0272BC
C424	CCCFMIC 2N7F +10% -10% 50.0V X7R	CZKII0272BC
C425	CCCFMIC 2N7F +10% -10% 50.0V X7R	CZKII0272BC
C426	CCCFMIC 2N7F +10% -10% 50.0V X7R	CZKII0272BC
C427	CCCFMIC 2N7F +10% -10% 50.0V X7R	CZKII0272BC
C428	CCCFMIC 2N7F +10% -10% 50.0V X7R	CZKII0272BC
C429	CCCFMIC 2N7F +10% -10% 50.0V X7R	CZKII0272BC
C430	CCCFMIC 2N7F +10% -10% 50.0V X7R	CZKII0272BC
C431	CCCFMIC 2N7F +10% -10% 50.0V X7R	CZKII0272BC
C432	CCCFMIC 470P0F +5% -5% 50.0V NPO	CZJII0471BE
C433	CCCFMIC 470P0F +5% -5% 50.0V NPO	CZJII0471BE
C434	CCCFMIN 560P0F +5% -5% 50.0V NPO 0805	CZJII0561CE
C435	CCCFMIN 560P0F +5% -5% 50.0V NPO 0805	CZJII0561CE
C436	CCCFMIN 560P0F +5% -5% 50.0V NPO 0805	CZJII0561CE
C437	CCCFMIN 560P0F +5% -5% 50.0V NPO 0805	CZJII0561CE
C438	CCCFMIN 560P0F +5% -5% 50.0V NPO 0805	CZJII0561CE
C439	CCCFMIN 560P0F +5% -5% 50.0V NPO 0805	CZJII0561CE
C440	CCCFMIN 560P0F +5% -5% 50.0V NPO 0805	CZJII0561CE
C441	CCCFMIN 560P0F +5% -5% 50.0V NPO 0805	CZJII0561CE
C442	CCCFMIN 560P0F +5% -5% 50.0V NPO 0805	CZJII0561CE
C443	CCCFMIN 560P0F +5% -5% 50.0V NPO 0805	CZJII0561CE
C444	CCCFMIC 470P0F +5% -5% 50.0V NPO	CZJII0471BE
C445	CCCFMIC 470P0F +5% -5% 50.0V NPO	CZJII0471BE
C446	CCCFMIN 560P0F +5% -5% 50.0V NPO 0805	CZJII0561CE
C447	CCCFMIN 560P0F +5% -5% 50.0V NPO 0805	CZJII0561CE
C448	CCCFMIC 100N0F +80% -20% 16.0V Y5V	CZZFI0104BF
C449	CCCFMIC 100N0F +80% -20% 16.0V Y5V	CZZFI0104BF
C450	CCCFMIC 100N0F +80% -20% 16.0V Y5V	CZZFI0104BF
C451	CCCFMIC 100N0F +80% -20% 16.0V Y5V	CZZFI0104BF
C452	CCCFMIC 100N0F +80% -20% 16.0V Y5V	CZZFI0104BF

POS	PART NAME	PART NUMBER
C453	CCCFMIC 100NOF +80% -20% 16.0V Y5V	CZZFI0104BF
C454	CCCFMIC 100NOF +80% -20% 16.0V Y5V	CZZFI0104BF
C455	CCCFMIC 100NOF +80% -20% 16.0V Y5V	CZZFI0104BF
C456	CE 10U0F 16.0V 5X11 P2.5MM	CEHFC0106MN
C457	CE 10U0F 16.0V 5X11 P2.5MM	CEHFC0106MN
C458	CE 10U0F 16.0V 5X11 P2.5MM	CEHFC0106MN
C459	CE 10U0F 16.0V 5X11 P2.5MM	CEHFC0106MN
C460	CE 10U0F 16.0V 5X11 P2.5MM	CEHFC0106MN
C461	CE 10U0F 16.0V 5X11 P2.5MM	CEHFC0106MN
C462	CE 10U0F 16.0V 5X11 P2.5MM	CEHFC0106MN
C463	CE 10U0F 16.0V 5X11 P2.5MM	CEHFC0106MN
C464	CE 10U0F 16.0V 5X11 P2.5MM	CEHFC0106MN
C465	CE 10U0F 16.0V 5X11 P2.5MM	CEHFC0106MN
C466	CCCFMIC 560POF +10% -10% 50.0V X7R	CZKII0561BC
C467	CCCFMIC 560POF +10% -10% 50.0V X7R	CZKII0561BC
C468	CCCFMIC 100NOF +80% -20% 16.0V Y5V	CZZFI0104BF
C469	CCCFMIC 100NOF +80% -20% 16.0V Y5V	CZZFI0104BF
C470	CAP ELEC 100U0F 16.0V M 5X11 P2.5MM	CEHFC0107MN
C471	CAP ELEC 100U0F 16.0V M 5X11 P2.5MM	CEHFC0107MN
C472	CE 1MIOF +20% 6.3V 8X11.5 85C	CEHDC0108NN
C473	CE 1MIOF +20% 6.3V 8X11.5 85C	CEHDC0108NN
C474	CE 1MIOF +20% 6.3V 8X11.5 85C	CEHDC0108NN
C491	CCCFMIC 47P0F +5% -5% 50.0V NPO 0603	CZJII0470BE
C492	CCCFMIC 47P0F +5% -5% 50.0V NPO 0603	CZJII0470BE
C493	CCCFMIC 47P0F +5% -5% 50.0V NPO 0603	CZJII0470BE
C494	CCCFMIC 47P0F +5% -5% 50.0V NPO 0603	CZJII0470BE
C606	CCCFMIC 100P0F +5% -5% 50.0V NPO 0603	CZJII0101BE
C608	CCCFMIC 100P0F +5% -5% 50.0V NPO 0603	CZJII0101BE
C611	CCCFMIC 100P0F +5% -5% 50.0V NPO 0603	CZJII0101BE
C612	CCCFMIC 100NOF +80% -20% 16.0V Y5V	CZZFI0104BF
C613	CE 10U0F 16.0V 5X11 P2.5MM	CEHFC0106MN
C614	CCCFMIC 100NOF +80% -20% 16.0V Y5V	CZZFI0104BF
C615	CCCFMIC 100P0F +5% -5% 50.0V NPO 0603	CZJII0101BE
C616	CCCFMIC 100P0F +5% -5% 50.0V NPO 0603	CZJII0101BE
C617	CCCFMIC 100NOF +80% -20% 16.0V Y5V	CZZFI0104BF
C618	CAP ELEC 100U0F 16.0V M 5X11 P2.5MM	CEHFC0107MN
C619	CE 100NOF +20% 50.0V 85C SSE TYPE	CEHIC0104MN-A
C620	CE 10U0F 16.0V 5X11 P2.5MM	CEHFC0106MN
C621	CE 10U0F 16.0V 5X11 P2.5MM	CEHFC0106MN
C622	CCCFMIC 100NOF +80% -20% 16.0V Y5V	CZZFI0104BF
C624	CCCFMIC 100NOF +80% -20% 16.0V Y5V	CZZFI0104BF
C625	CCCFMIC 100P0F +5% -5% 50.0V NPO 0603	CZJII0101BE
C626	CCCFMIC 100P0F +5% -5% 50.0V NPO 0603	CZJII0101BE
C627	CE 47U0F +20% 16.0V 5X11 P2.5MM	CEHFC0476MN
C628	CCCFMIC 100NOF +80% -20% 16.0V Y5V	CZZFI0104BF
C629	CCCFMIC 100NOF +80% -20% 16.0V Y5V	CZZFI0104BF
C630	CAP ELEC 100U0F 16.0V M 5X11 P2.5MM	CEHFC0107MN
C657	CM 47MIOF +80% -20% 5.5V 70C	CEZXA0479MN
C700	CCCFMIC 22P0F +5% -5% 50.0V NP0	CZJII0220BE
C702	CCCFMIC 22P0F +5% -5% 50.0V NP0	CZJII0220BE
C703	CCCFMIC 10NOF +10% -10% 50.0V X7R	CZKII0103BC
C705	CCCFMIC 100NOF +80% -20% 16.0V Y5V	CZZFI0104BF
C706	CCCFMIC 10NOF +10% -10% 50.0V X7R	CZKII0103BC
C707	CCCFMIC 100NOF +80% -20% 16.0V Y5V	CZZFI0104BF
C708	CCCFMIC 100NOF +80% -20% 16.0V Y5V	CZZFI0104BF
C709	CCCFMIC 10NOF +10% -10% 50.0V X7R	CZKII0103BC
C710	CCCFMIC 100NOF +80% -20% 16.0V Y5V	CZZFI0104BF
C711	CCCFMIC 10NOF +10% -10% 50.0V X7R	CZKII0103BC
C714	CCCFMIC 100NOF +80% -20% 16.0V Y5V	CZZFI0104BF
C715	CCCFMIC 100NOF +80% -20% 16.0V Y5V	CZZFI0104BF
C716	CCCFMIC 10NOF +10% -10% 50.0V X7R	CZKII0103BC
C717	CCCFMIC 10NOF +10% -10% 50.0V X7R	CZKII0103BC
C718	CCCFMIC 100NOF +80% -20% 16.0V Y5V	CZZFI0104BF
C719	CCCFMIC 100NOF +80% -20% 16.0V Y5V	CZZFI0104BF
C720	CAP CHIP 18NF 25V +/-10% 0603 X7R	CZKGI0183BC
C721	CCCFMIC 1NOF +10% -10% 50.0V X7R 0603	CZKII0102BC

POS	PART NAME	PART NUMBER
C722	CCCFMIC 100NOF +80% -20% 16.0V Y5V	CZZFI0104BF
C723	CAP ELEC 100U0F 16.0V M 5X11 P2.5MM	CEHFC0107MN
C724	CCCFMIC 100NOF +80% -20% 16.0V Y5V	CZZFI0104BF
C725	CE 4U7F +20% 50.0V 85C	CEHIC0475NN
C726	CCCFMIC 100NOF +80% -20% 16.0V Y5V	CZZFI0104BF
C727	CE 10U0F 16.0V 5X11 P2.5MM	CEHFC0106MN
C728	CCCFMIC 100NOF +80% -20% 16.0V Y5V	CZZFI0104BF
C729	CE 10U0F 16.0V 5X11 P2.5MM	CEHFC0106MN
C730	CCCFMIC 100NOF +80% -20% 16.0V Y5V	CZZFI0104BF
C731	CE 10U0F 16.0V 5X11 P2.5MM	CEHFC0106MN
C732	CCCFMIC 100NOF +80% -20% 16.0V Y5V	CZZFI0104BF
C733	CE 10U0F 16.0V 5X11 P2.5MM	CEHFC0106MN
C734	CCCFMIC 100NOF +80% -20% 16.0V Y5V	CZZFI0104BF
C735	CE 10U0F 16.0V 5X11 P2.5MM	CEHFC0106MN
C742	CCCFMIC 100NOF +80% -20% 16.0V Y5V	CZZFI0104BF
C743	CCCFMIC 22P0F +5% -5% 50.0V NP0	CZJII0220BE
C800	CAP ELEC 100U0F 16.0V M 5X11 P2.5MM	CEHFC0107MN
C801	CCCFMIC 100NOF +80% -20% 16.0V Y5V	CZZFI0104BF
C802	CCCFMIC 100NOF +80% -20% 16.0V Y5V	CZZFI0104BF
C803	CCCFMIC 100NOF +80% -20% 16.0V Y5V	CZZFI0104BF
C804	CCCFMIC 1N2F +10% -10% 50.0V X7R 0603	CZKII0122BC
C805	CCCFMIC 68P0F +10% -10% 50.0V NP0	CZKII0680BE
C806	CE 2U2F +20% 50.0V 85C 2.5MM	CEHIC0225NN
C807	CAP ELEC 100U0F 16.0V M 5X11 P2.5MM	CEHFC0107MN
C808	CCCFMIC 100NOF +80% -20% 16.0V Y5V	CZZFI0104BF
C809	CCCFMIC 100NOF +80% -20% 16.0V Y5V	CZZFI0104BF
C810	CCCFMIC 100NOF +80% -20% 16.0V Y5V	CZZFI0104BF
C811	CAP ELEC 100U0F 16.0V M 5X11 P2.5MM	CEHFC0107MN
C814	CCCFMIC 100NOF +80% -20% 16.0V Y5V	CZZFI0104BF
C815	CCCFMIC 100NOF +80% -20% 16.0V Y5V	CZZFI0104BF
C816	CCCFMIC 100NOF +80% -20% 16.0V Y5V	CZZFI0104BF
C818	CCCFMIC 100NOF +80% -20% 16.0V Y5V	CZZFI0104BF
C819	CCCFMIC 100NOF +80% -20% 16.0V Y5V	CZZFI0104BF
C820	CAP ELEC 100U0F 16.0V M 5X11 P2.5MM	CEHFC0107MN
C821	CCCFMIC 100NOF +80% -20% 16.0V Y5V	CZZFI0104BF
C822	CAP ELEC 100U0F 16.0V M 5X11 P2.5MM	CEHFC0107MN
C828	CAP ELEC 100U0F 16.0V M 5X11 P2.5MM	CEHFC0107MN
C829	CCCFMIC 100NOF +80% -20% 16.0V Y5V	CZZFI0104BF
C830	CAP ELEC 100U0F 16.0V M 5X11 P2.5MM	CEHFC0107MN
C851	CCCFMIC 470P0F +5% -5% 50.0V NP0	CZJII0471BE
C853	CCCFMIC 220P0F +5% -5% 50.0V NP0	CZJII0221BE
C891	CCCFMIC 100NOF +80% -20% 16.0V Y5V	CZZFI0104BF
C899	CCCFMIC 100NOF +80% -20% 16.0V Y5V	CZZFI0104BF
C997	CCCFMIC 10N0F +10% -10% 50.0V X7R	CZKII0103BC
C998	CCCFMIC 10N0F +10% -10% 50.0V X7R	CZKII0103BC
D400	D-SLP 1SS355 35.0V 225MI0A	H01-DS1S50094NB-A
D401	D-SLP 1SS355 35.0V 225MI0A	H01-DS1S50094NB-A
D600	D-SLP 1SS355 35.0V 225MI0A	H01-DS1S50094NB-A
D601	D-SLP 1SS355 35.0V 225MI0A	H01-DS1S50094NB-A
D603	D-SLP 1SS355 35.0V 225MI0A	H01-DS1S50094NB-A
D604	D-SLP 1SS355 35.0V 225MI0A	H01-DS1S50094NB-A
D605	D-SLP 1SS355 35.0V 225MI0A	H01-DS1S50094NB-A
D606	D-SLP 1SS355 35.0V 225MI0A	H01-DS1S50094NB-A
D651	D-SLP 1SS355 35.0V 225MI0A	H01-DS1S50094NB-A
D700	D-SLP 1SS355 35.0V 225MI0A	H01-DS1S50094NB-A
IC100	IC-OPERAMP NJM2068M DUAL SOP8	H01-ICLM02068D2-A
IC101	IC-OPERAMP NJM2068M DUAL SOP8	H01-ICLM02068D2-A
IC102	IC-OPERAMP NJM2068M DUAL SOP8	H01-ICLM02068D2-A
IC103	IC-OPERAMP NJM2068M DUAL SOP8	H01-ICLM02068D2-A
IC104	IC-OPERAMP NJM2068M DUAL SOP8	H01-ICLM02068D2-A
IC105	IC-OPERAMP NJM2068M DUAL SOP8	H01-ICLM02068D2-A
IC106	IC-OPERAMP NJM2068M DUAL SOP8	H01-ICLM02068D2-A
IC107	IC-OPERAMP NJM2068M DUAL SOP8	H01-ICLM02068D2-A
IC108	IC-OPERAMP NJM2068M DUAL SOP8	H01-ICLM02068D2-A
IC109	IC-OPERAMP NJM2068M DUAL SOP8	H01-ICLM02068D2-A
IC110	IC-OPERAMP NJM2068M DUAL SOP8	H01-ICLM02068D2-A

POS	PART NAME	PART NUMBER
IC111	IC-OPERAMP NJM2068M DUAL SOP8	H01-ICLM02068D2-A
IC112	IC-CONV CS5361-KZ A/D TSSOP24	H01-ICCS5361KG4
IC113	IC-CONV CS5361-KZ A/D TSSOP24	H01-ICCS5361KG4
IC114	IC-CONV CS5361-KZ A/D TSSOP24	H01-ICCS5361KG4
IC115	IC-CONV CS5361-KZ A/D TSSOP24	H01-ICCS5361KG4
IC116	IC-OPERAMP NJM2068M DUAL SOP8	H01-ICLM02068D2-A
IC117	IC-OPERAMP NJM2068M DUAL SOP8	H01-ICLM02068D2-A
IC400	IC-OPERAMP NJM2068M DUAL SOP8	H01-ICLM02068D2-A
IC401	IC-OPERAMP NJM2068M DUAL SOP8	H01-ICLM02068D2-A
IC402	IC-OPERAMP NJM2068M DUAL SOP8	H01-ICLM02068D2-A
IC403	IC-OPERAMP NJM2068M DUAL SOP8	H01-ICLM02068D2-A
IC404	IC-OPERAMP NJM2068M DUAL SOP8	H01-ICLM02068D2-A
IC600	IC-MICOM FLASH NEC UPD70F3033BGF 0228KK001 JAPAN QFP100	H01-ICD703033E1
IC601	IC-KA78R08API TO-220IS-4PIN	H01-ICKA78R08I2
IC602	IC CMOS BU4094BF SOP16	H01-ICBU4094BD3
IC603	IC-EEPROM M24C04WMN6T	H01-ICM24C04WD2
IC700	IC-CODEC CS42528CQ	H01-ICCS42528EC
IC701	IC-LOGIC M74HCU04M1R INVERTER HCT	H01-ICM74H04MD4
IC702	IC-LOGIC M74HCU04M1R INVERTER HCT	H01-ICM74H04MD4
IC800	IC-DSP CS494003-CQ LQFP144	H01-ICCS49400ED
IC801	IC-LOGIC 74VHCT244A INVERTER CMOS	H01-IC74V244MG5
IC802	IC-LOGIC 74VHC244A INVERTER CMOS	H01-IC74VC244G5
IC803	IC-SPECFUNC NJU6324M SOP8 CMOS CRYSTAL	H01-ICNJU6324D2
IC804	IC-FLASH MEMORY ROM AT49LV8192A 70ns	H01-IC49L8192I5-A
IC805	IC-SDRAM K4S161622E-TC70 OR TC80	H01-ICK4S1616M6
JUM10	RMGCFMIN 0 OHM +5% 100MIOW 0805	RS3BB0000NA
JUM3	RMGCFMIN 0 OHM +5% 100MIOW 0805	RS3BB0000NA
JUM4	RMGCFMIN 0 OHM +5% 100MIOW 0805	RS3BB0000NA
JUM8	RMGCFMIN 0 OHM +5% 100MIOW 0805	RS3BB0000NA
JUM9	RMGCFMIN 0 OHM +5% 100MIOW 0805	RS3BB0000NA
L1	FBEAD SURFACE MT 2500OHM FCM2012H-252T02	H01-FB2K52012NN
L100	FBEAD SURFACE MT 2500OHM FCM2012H-252T02	H01-FB2K52012NN
L101	FBEAD SURFACE MT 2500OHM FCM2012H-252T02	H01-FB2K52012NN
L102	FBEAD SURFACE MT 2500OHM FCM2012H-252T02	H01-FB2K52012NN
L103	FBEAD SURFACE MT 2500OHM FCM2012H-252T02	H01-FB2K52012NN
L104	FBEAD SURFACE MT 2500OHM FCM2012H-252T02	H01-FB2K52012NN
L105	FBEAD SURFACE MT 2500OHM FCM2012H-252T02	H01-FB2K52012NN
L106	FBEAD SURFACE MT 2500OHM FCM2012H-252T02	H01-FB2K52012NN
L107	FBEAD SURFACE MT 2500OHM FCM2012H-252T02	H01-FB2K52012NN
L108	FBEAD SURFACE MT 2500OHM FCM2012H-252T02	H01-FB2K52012NN
L109	FBEAD SURFACE MT 2500OHM FCM2012H-252T02	H01-FB2K52012NN
L11	RMGCFMIN 0 OHM +5% 100MIOW 0805	RS3BB0000NA
L110	FBEAD SURFACE MT 2500OHM FCM2012H-252T02	H01-FB2K52012NN
L111	FBEAD SURFACE MT 2500OHM FCM2012H-252T02	H01-FB2K52012NN
L12	RMGCFMIN 0 OHM +5% 100MIOW 0805	RS3BB0000NA
L13	RMGCFMIN 0 OHM +5% 100MIOW 0805	RS3BB0000NA
L14	RMGCFMIN 0 OHM +5% 100MIOW 0805	RS3BB0000NA
L15	RMGCFMIN 0 OHM +5% 100MIOW 0805	RS3BB0000NA
L16	RMGCFMIN 0 OHM +5% 100MIOW 0805	RS3BB0000NA
L17	RMGCFMIN 0 OHM +5% 100MIOW 0805	RS3BB0000NA
L18	RMGCFMIN 0 OHM +5% 100MIOW 0805	RS3BB0000NA
L19	RMGCFMIN 0 OHM +5% 100MIOW 0805	RS3BB0000NA
L20	RMGCFMIN 0 OHM +5% 100MIOW 0805	RS3BB0000NA
L6	RMGCFMIN 0 OHM +5% 100MIOW 0805	RS3BB0000NA
L600	LF 4U7H +10% 1.7 OHM 190.0A	H01-LAINB047ACR
L7	RMGCFMIN 0 OHM +5% 100MIOW 0805	RS3BB0000NA
L700	FBEAD SURFACE MT 2500OHM FCM2012H-252T02	H01-FB2K52012NN
L701	FBEAD SURFACE MT 2500OHM FCM2012H-252T02	H01-FB2K52012NN
L703	FBEAD SURFACE MT 2500OHM FCM2012H-252T02	H01-FB2K52012NN
L704	FBEAD SURFACE MT 2500OHM FCM2012H-252T02	H01-FB2K52012NN
L705	FBEAD SURFACE MT 300OHM FCM2012V-301T07	H01-FB3002012NN
L707	FBEAD SURFACE MT 300OHM FCM2012V-301T07	H01-FB3002012NN
L708	FBEAD SURFACE MT 300OHM FCM2012V-301T07	H01-FB3002012NN
L800	RMGCFMIN 0 OHM +5% 100MIOW 0805	RS3BB0000NA
L802	FBEAD SURFACE MT 2500OHM FCM2012H-252T02	H01-FB2K52012NN
L803	FBEAD SURFACE MT 2500OHM FCM2012H-252T02	H01-FB2K52012NN

POS	PART NAME	PART NUMBER
L804	FBEAD SURFACE MT 2500OHM FCM2012H-252T02	H01-FB2K52012NN
L805	FBEAD SURFACE MT 2500OHM FCM2012H-252T02	H01-FB2K52012NN
L880	FBEAD SURFACE MT 2500OHM FCM2012H-252T02	H01-FB2K52012NN
LJUM5	RMGCFMIN 0 OHM +5% 100MIOW 0805	RS3BB0000NA
LR728	FBEAD SURFACE MT 2500OHM FCM2012H-252T02	H01-FB2K52012NN
LR735	FBEAD SURFACE MT 300OHM FCM2012V-301T07	H01-FB3002012NN
LR879	FBEAD SURFACE MT 2500OHM FCM2012H-252T02	H01-FB2K52012NN
N401	CONN 2.0MM 19 MA ST NAT MOLEX 35336-1910 0 0	H01-WN19SB00000
N403	CONN 2.0MM 19 MA R NAT SOCKET MOLEX 35237-1910 0 0	H01-WN19AB00000
N404	CONN 2.0MM 17 MA ST NAT MOLEX 35336-1710 0 0	H01-WN17SB00000
N405	CNT ASSY 2.0MM 6P 300MM RIBBON 26AWG UL1007	H01-WG06SB83000
N406	CONN 1.25MM 23 FE ANG WH GF120-23S-LS 2794 A6	H01-WN23AI000WH
N407	CONN 2.0MM 11P MA ST NAT MOLEX 35336-1110 0 0	H01-WN11SB00000
N408	CNT PLUG BD'BD SOCKET 2.0mm 35237-0610	H01-WN06AB00001
NJ1	RCA 47R0 OHM +5% 62M15W 4	RS3AY0470NA
NJ10	RCA 47R0 OHM +5% 62M15W 4	RS3AY0470NA
NJ11	RCA 47R0 OHM +5% 62M15W 4	RS3AY0470NA
NJ13	RCA 10K0 OHM +5% 62M15W 4	RS3AY0103NA
NJ14	RCA 10K0 OHM +5% 62M15W 4	RS3AY0103NA
NJ15	RCA 3K3 OHM +5% 62M15W 4	RS3AY0332NA
NJ16	RCA 3K3 OHM +5% 62M15W 4	RS3AY0332NA
NJ17	RCA 10K0 OHM +5% 62M15W 4	RS3AY0103NA
NJ18	RCA 10K0 OHM +5% 62M15W 4	RS3AY0103NA
NJ19	RCA 10K0 OHM +5% 62M15W 4	RS3AY0103NA
NJ2	RCA 47R0 OHM +5% 62M15W 4	RS3AY0470NA
NJ3	RCA 47R0 OHM +5% 62M15W 4	RS3AY0470NA
NJ4	CON PHONO SCKT RCA 1P W/GND JE010003LN OG	H01-SORA103LNNN
NJ5	CON PHONO SCKT RCA 2P W/GNDCAP JW-1502SN OO	H01-SORA21502NN
NJ6	RCA 47R0 OHM +5% 62M15W 4	RS3AY0470NA
NJ7	RCA 47R0 OHM +5% 62M15W 4	RS3AY0470NA
NJ71	JACK RCA 4P JB040131QN WH BU RD GY	H01-SORA40RSCNN-A
NJ72	JACK RCA 4P JB040131ZN GN BN PP TA	H01-SORA40RSANN
NJ74	D-LEM TORX-179L	H01-SOTOR179LBA
NJ75	D-LEM TORX-179L	H01-SOTOR179LBA
NJ76	D-LEM TOTX-179L	H01-SOTOT179LBA
NJ8	RCA 47R0 OHM +5% 62M15W 4	RS3AY0470NA
NJ9	RCA 47R0 OHM +5% 62M15W 4	RS3AY0470NA
P1	CONN 2.0MM 5 MA ST NAT GT201-5P-TS	H01-WN05SB00000
P403	CONN 2.0MM 9 MA ST NAT GT201-9P-TS	H01-WN09SB00000-A
Q400	TR-SLPSWA KTD1304 N 20V 300MIOA SOT-23	H01-TRKTD1304ND
Q401	TR-SLPSWA KTD1304 N 20V 300MIOA SOT-23	H01-TRKTD1304ND
Q402	TR-SSD DTA114YKA P 10K0 OHM 47K0 OHM	H01-TRDTA114YNI
Q403	TR-SSD DTA114YKA P 10K0 OHM 47K0 OHM	H01-TRDTA114YNI
Q600	TR-SSD DTC114YKA N 10K0 OHM 47K0 OHM	H01-TRDTC114YNI
Q601	TR-SSD DTC114YKA N 10K0 OHM 47K0 OHM	H01-TRDTC114YNI
Q604	TR-SSD DTC114YKA N 10K0 OHM 47K0 OHM	H01-TRDTC114YNI
Q605	TR-SSD DTC114YKA N 10K0 OHM 47K0 OHM	H01-TRDTC114YNI
Q606	TR-SSD DTC114YKA N 10K0 OHM 47K0 OHM	H01-TRDTC114YNI
Q607	TR-SSD DTC114YKA N 10K0 OHM 47K0 OHM	H01-TRDTC114YNI
Q608	TR-SSD DTC114YKA N 10K0 OHM 47K0 OHM	H01-TRDTC114YNI
Q609	TR-SSD DTC114YKA N 10K0 OHM 47K0 OHM	H01-TRDTC114YNI
Q611	TR-SLPLF MPSA06 N 500MIOA TO-92	H01-TRMPSA06NNA
Q612	TR-SSD DTC114YKA N 10K0 OHM 47K0 OHM	H01-TRDTC114YNI
Q613	TR-SSD DTC114YKA N 10K0 OHM 47K0 OHM	H01-TRDTC114YNI
Q700	TR-SSD DTC114YKA N 10K0 OHM 47K0 OHM	H01-TRDTC114YNI
R1	RMGCFMIC 4K7 OHM +5% 62MI5W	RS3AD0472NA
R100	RMGCFMIC 1K0 OHM +5% 62MI5W	RS3AD0102NA
R101	RMGCFMIC 1K0 OHM +5% 62MI5W	RS3AD0102NA
R102	RMGCFMIC 1K0 OHM +5% 62MI5W	RS3AD0102NA
R103	RMGCFMIC 1K0 OHM +5% 62MI5W	RS3AD0102NA
R104	RMGCFMIC 1K0 OHM +5% 62MI5W	RS3AD0102NA
R105	RMGCFMIC 4K7 OHM +5% 62MI5W	RS3AD0472NA
R106	RMGCFMIC 1K0 OHM +5% 62MI5W	RS3AD0102NA
R107	RMGCFMIC 1K0 OHM +5% 62MI5W	RS3AD0102NA
R108	RMGCFMIC 22K0 OHM +5% 62MI5W	RS3AD0223NA
R109	RMGCFMIC 22K0 OHM +5% 62MI5W	RS3AD0223NA

POS	PART NAME	PART NUMBER
R110	RMGCFMIC 22K0 OHM +5% 62MI5W	RS3AD0223NA
R111	RMGCFMIC 22K0 OHM +5% 62MI5W	RS3AD0223NA
R112	RMGCFMIC 22K0 OHM +5% 62MI5W	RS3AD0223NA
R113	RMGCFMIC 6K8 OHM +5% 62MI5W	RS3AD0682NA
R114	RMGCFMIC 22K0 OHM +5% 62MI5W	RS3AD0223NA
R115	RMGCFMIC 22K0 OHM +5% 62MI5W	RS3AD0223NA
R116	RMGCFMIC 100K0 OHM +5% 62MI5W	RS3AD0104NA-A
R117	RMGCFMIC 100K0 OHM +5% 62MI5W	RS3AD0104NA-A
R118	RMGCFMIC 100K0 OHM +5% 62MI5W	RS3AD0104NA-A
R119	RMGCFMIC 100K0 OHM +5% 62MI5W	RS3AD0104NA-A
R120	RMGCFMIC 100K0 OHM +5% 62MI5W	RS3AD0104NA-A
R121	RMGCFMIC 100K0 OHM +5% 62MI5W	RS3AD0104NA-A
R122	RMGCFMIC 100K0 OHM +5% 62MI5W	RS3AD0104NA-A
R123	RMGCFMIC 100K0 OHM +5% 62MI5W	RS3AD0104NA-A
R124	RMGCFMIC 1K0 OHM +5% 62MI5W	RS3AD0102NA
R125	RMGCFMIC 1K0 OHM +5% 62MI5W	RS3AD0102NA
R126	RMGCFMIC 1K0 OHM +5% 62MI5W	RS3AD0102NA
R127	RMGCFMIC 1K0 OHM +5% 62MI5W	RS3AD0102NA
R128	RMGCFMIC 1K0 OHM +5% 62MI5W	RS3AD0102NA
R129	RMGCFMIC 1K0 OHM +5% 62MI5W	RS3AD0102NA
R130	RMGCFMIC 1K0 OHM +5% 62MI5W	RS3AD0102NA
R131	RMGCFMIC 1K0 OHM +5% 62MI5W	RS3AD0102NA
R132	RMGCFMIC 150R0 OHM +5% 62MI5W	RS3AD0151NA
R133	RMGCFMIC 150R0 OHM +5% 62MI5W	RS3AD0151NA
R134	RMGCFMIC 150R0 OHM +5% 62MI5W	RS3AD0151NA
R135	RMGCFMIC 150R0 OHM +5% 62MI5W	RS3AD0151NA
R136	RMGCFMIC 150R0 OHM +5% 62MI5W	RS3AD0151NA
R137	RMGCFMIC 150R0 OHM +5% 62MI5W	RS3AD0151NA
R138	RMGCFMIC 150R0 OHM +5% 62MI5W	RS3AD0151NA
R139	RMGCFMIC 150R0 OHM +5% 62MI5W	RS3AD0151NA
R140	RMGCFMIC 100K0 OHM +5% 62MI5W	RS3AD0104NA-A
R141	RMGCFMIC 100K0 OHM +5% 62MI5W	RS3AD0104NA-A
R142	RMGCFMIC 100K0 OHM +5% 62MI5W	RS3AD0104NA-A
R143	RMGCFMIC 100K0 OHM +5% 62MI5W	RS3AD0104NA-A
R144	RMGCFMIC 100K0 OHM +5% 62MI5W	RS3AD0104NA-A
R145	RMGCFMIC 100K0 OHM +5% 62MI5W	RS3AD0104NA-A
R146	RMGCFMIC 100K0 OHM +5% 62MI5W	RS3AD0104NA-A
R147	RMGCFMIC 100K0 OHM +5% 62MI5W	RS3AD0104NA-A
R148	RMGCFMIC 47K0 OHM +5% 62MI5W	RS3AD0473NA
R149	RMGCFMIC 47K0 OHM +5% 62MI5W	RS3AD0473NA
R150	RMGCFMIC 47K0 OHM +5% 62MI5W	RS3AD0473NA
R151	RMGCFMIC 47K0 OHM +5% 62MI5W	RS3AD0473NA
R152	RMGCFMIC 47K0 OHM +5% 62MI5W	RS3AD0473NA
R153	RMGCFMIC 47K0 OHM +5% 62MI5W	RS3AD0473NA
R154	RMGCFMIC 47K0 OHM +5% 62MI5W	RS3AD0473NA
R155	RMGCFMIC 47K0 OHM +5% 62MI5W	RS3AD0473NA
R156	RMGCFMIC 20K0 OHM +5% 62MI5W	RS3AD0203NA
R157	RMGCFMIC 4K7 OHM +5% 62MI5W	RS3AD0472NA
R158	RMGCFMIC 20K0 OHM +5% 62MI5W	RS3AD0203NA
R159	RMGCFMIC 20K0 OHM +5% 62MI5W	RS3AD0203NA
R160	RMGCFMIC 20K0 OHM +5% 62MI5W	RS3AD0203NA
R161	RMGCFMIC 20K0 OHM +5% 62MI5W	RS3AD0203NA
R162	RMGCFMIC 20K0 OHM +5% 62MI5W	RS3AD0203NA
R163	RMGCFMIC 20K0 OHM +5% 62MI5W	RS3AD0203NA
R166	RMGCFMIC 4K7 OHM +5% 62MI5W	RS3AD0472NA
R167	RMGCFMIC 4K7 OHM +5% 62MI5W	RS3AD0472NA
R168	RMGCFMIC 4K7 OHM +5% 62MI5W	RS3AD0472NA
R169	RMGCFMIC 4K7 OHM +5% 62MI5W	RS3AD0472NA
R170	RMGCFMIC 4K7 OHM +5% 62MI5W	RS3AD0472NA
R171	RMGCFMIC 4K7 OHM +5% 62MI5W	RS3AD0472NA
R172	RMGCFMIC 10K0 OHM +5% 62MI5W	RS3AD0103NA
R173	RMGCFMIC 10K0 OHM +5% 62MI5W	RS3AD0103NA
R174	RMGCFMIC 10K0 OHM +5% 62MI5W	RS3AD0103NA
R175	RMGCFMIC 10K0 OHM +5% 62MI5W	RS3AD0103NA
R176	RMGCFMIC 10K0 OHM +5% 62MI5W	RS3AD0103NA
R177	RMGCFMIC 10K0 OHM +5% 62MI5W	RS3AD0103NA

POS	PART NAME	PART NUMBER
R178	RMGCFMIC 10K0 OHM +5% 62MI5W	RS3AD0103NA
R179	RMGCFMIC 10K0 OHM +5% 62MI5W	RS3AD0103NA
R180	RMGCFMIC 10K0 OHM +5% 62MI5W	RS3AD0103NA
R181	RMGCFMIC 10K0 OHM +5% 62MI5W	RS3AD0103NA
R182	RMGCFMIC 10K0 OHM +5% 62MI5W	RS3AD0103NA
R183	RMGCFMIC 10K0 OHM +5% 62MI5W	RS3AD0103NA
R184	RMGCFMIC 10K0 OHM +5% 62MI5W	RS3AD0103NA
R185	RMGCFMIC 10K0 OHM +5% 62MI5W	RS3AD0103NA
R186	RMGCFMIC 10K0 OHM +5% 62MI5W	RS3AD0103NA
R187	RMGCFMIC 10K0 OHM +5% 62MI5W	RS3AD0103NA
R188	RMGCFMIC 10K0 OHM +5% 62MI5W	RS3AD0103NA
R189	RMGCFMIC 10K0 OHM +5% 62MI5W	RS3AD0103NA
R190	RMGCFMIC 10K0 OHM +5% 62MI5W	RS3AD0103NA
R191	RMGCFMIC 10K0 OHM +5% 62MI5W	RS3AD0103NA
R192	RMGCFMIC 10K0 OHM +5% 62MI5W	RS3AD0103NA
R193	RMGCFMIC 10K0 OHM +5% 62MI5W	RS3AD0103NA
R194	RMGCFMIC 10K0 OHM +5% 62MI5W	RS3AD0103NA
R195	RMGCFMIC 10K0 OHM +5% 62MI5W	RS3AD0103NA
R196	RMGCFMIC 150R0 OHM +5% 62MI5W	RS3AD0151NA
R197	RMGCFMIC 150R0 OHM +5% 62MI5W	RS3AD0151NA
R198	RMGCFMIC 150R0 OHM +5% 62MI5W	RS3AD0151NA
R199	RMGCFMIC 150R0 OHM +5% 62MI5W	RS3AD0151NA
R2	RMGCFMIC 3K3 OHM +5% 62MI5W	RS3AD0332NA
R200	RMGCFMIC 150R0 OHM +5% 62MI5W	RS3AD0151NA
R201	RMGCFMIC 150R0 OHM +5% 62MI5W	RS3AD0151NA
R202	RMGCFMIC 150R0 OHM +5% 62MI5W	RS3AD0151NA
R203	RMGCFMIC 150R0 OHM +5% 62MI5W	RS3AD0151NA
R204	RMGCFMIC 150R0 OHM +5% 62MI5W	RS3AD0151NA
R205	RMGCFMIC 150R0 OHM +5% 62MI5W	RS3AD0151NA
R206	RMGCFMIC 150R0 OHM +5% 62MI5W	RS3AD0151NA
R207	RMGCFMIC 150R0 OHM +5% 62MI5W	RS3AD0151NA
R208	RMGCFMIC 150R0 OHM +5% 62MI5W	RS3AD0151NA
R209	RMGCFMIC 150R0 OHM +5% 62MI5W	RS3AD0151NA
R210	RMGCFMIC 150R0 OHM +5% 62MI5W	RS3AD0151NA
R211	RMGCFMIC 150R0 OHM +5% 62MI5W	RS3AD0151NA
R216	RMGCFMIC 10K0 OHM +5% 62MI5W	RS3AD0103NA
R217	RMGCFMIC 10K0 OHM +5% 62MI5W	RS3AD0103NA
R218	RMGCFMIC 10K0 OHM +5% 62MI5W	RS3AD0103NA
R219	RMGCFMIC 10K0 OHM +5% 62MI5W	RS3AD0103NA
R220	RMGCFMIC 10K0 OHM +5% 62MI5W	RS3AD0103NA
R221	RMGCFMIC 10K0 OHM +5% 62MI5W	RS3AD0103NA
R222	RMGCFMIC 10K0 OHM +5% 62MI5W	RS3AD0103NA
R223	RMGCFMIC 10K0 OHM +5% 62MI5W	RS3AD0103NA
R224	RMGCFMIC 10K0 OHM +5% 62MI5W	RS3AD0103NA
R225	RMGCFMIC 10K0 OHM +5% 62MI5W	RS3AD0103NA
R226	RMGCFMIC 10K0 OHM +5% 62MI5W	RS3AD0103NA
R227	RMGCFMIC 10K0 OHM +5% 62MI5W	RS3AD0103NA
R228	RMGCFMIC 10K0 OHM +5% 62MI5W	RS3AD0103NA
R229	RMGCFMIC 10K0 OHM +5% 62MI5W	RS3AD0103NA
R230	RMGCFMIC 10K0 OHM +5% 62MI5W	RS3AD0103NA
R231	RMGCFMIC 10K0 OHM +5% 62MI5W	RS3AD0103NA
R232	RMGCFMIC 47K0 OHM +5% 62MI5W	RS3AD0473NA
R233	RMGCFMIC 47K0 OHM +5% 62MI5W	RS3AD0473NA
R234	RMGCFMIC 20K0 OHM +5% 62MI5W	RS3AD0203NA
R235	RMGCFMIC 20K0 OHM +5% 62MI5W	RS3AD0203NA
R236	RMGCFMIC 4K7 OHM +5% 62MI5W	RS3AD0472NA
R237	RMGCFMIC 4K7 OHM +5% 62MI5W	RS3AD0472NA
R238	RMGCFMIC 10K0 OHM +5% 62MI5W	RS3AD0103NA
R239	RMGCFMIC 10K0 OHM +5% 62MI5W	RS3AD0103NA
R240	RMGCFMIC 10K0 OHM +5% 62MI5W	RS3AD0103NA
R241	RMGCFMIC 10K0 OHM +5% 62MI5W	RS3AD0103NA
R242	RMGCFMIC 10K0 OHM +5% 62MI5W	RS3AD0103NA
R243	RMGCFMIC 10K0 OHM +5% 62MI5W	RS3AD0103NA
R244	RMGCFMIC 150R0 OHM +5% 62MI5W	RS3AD0151NA
R245	RMGCFMIC 150R0 OHM +5% 62MI5W	RS3AD0151NA
R246	RMGCFMIC 150R0 OHM +5% 62MI5W	RS3AD0151NA

POS	PART NAME	PART NUMBER
R247	RMGCFMIC 150R0 OHM +5% 62MI5W	RS3AD0151NA
R4	RMGCFMIC 4K7 OHM +5% 62MI5W	RS3AD0472NA
R400	RMGCFMIC 4K3 OHM +5% 62MI5W	RS3AD0432NA
R401	RMGCFMIC 4K3 OHM +5% 62MI5W	RS3AD0432NA
R402	RMGCFMIC 4K3 OHM +5% 62MI5W	RS3AD0432NA
R403	RMGCFMIC 4K3 OHM +5% 62MI5W	RS3AD0432NA
R404	RMGCFMIC 4K3 OHM +5% 62MI5W	RS3AD0432NA
R405	RMGCFMIC 4K3 OHM +5% 62MI5W	RS3AD0432NA
R406	RMGCFMIC 4K3 OHM +5% 62MI5W	RS3AD0432NA
R407	RMGCFMIC 4K3 OHM +5% 62MI5W	RS3AD0432NA
R408	RMGCFMIC 4K3 OHM +5% 62MI5W	RS3AD0432NA
R409	RMGCFMIC 4K3 OHM +5% 62MI5W	RS3AD0432NA
R410	RMGCFMIC 4K3 OHM +5% 62MI5W	RS3AD0432NA
R411	RMGCFMIC 4K3 OHM +5% 62MI5W	RS3AD0432NA
R412	RMGCFMIC 4K3 OHM +5% 62MI5W	RS3AD0432NA
R413	RMGCFMIC 4K3 OHM +5% 62MI5W	RS3AD0432NA
R414	RMGCFMIC 4K3 OHM +5% 62MI5W	RS3AD0432NA
R415	RMGCFMIC 4K3 OHM +5% 62MI5W	RS3AD0432NA
R416	RMGCFMIC 1K2 OHM +5% 62MI5W	RS3AD0122NA
R417	RMGCFMIC 1K2 OHM +5% 62MI5W	RS3AD0122NA
R418	RMGCFMIC 1K2 OHM +5% 62MI5W	RS3AD0122NA
R419	RMGCFMIC 1K2 OHM +5% 62MI5W	RS3AD0122NA
R420	RMGCFMIC 1K2 OHM +5% 62MI5W	RS3AD0122NA
R421	RMGCFMIC 1K2 OHM +5% 62MI5W	RS3AD0122NA
R422	RMGCFMIC 1K2 OHM +5% 62MI5W	RS3AD0122NA
R423	RMGCFMIC 1K2 OHM +5% 62MI5W	RS3AD0122NA
R424	RMGCFMIC 1K2 OHM +5% 62MI5W	RS3AD0122NA
R425	RMGCFMIC 1K2 OHM +5% 62MI5W	RS3AD0122NA
R426	RMGCFMIC 1K2 OHM +5% 62MI5W	RS3AD0122NA
R427	RMGCFMIC 1K2 OHM +5% 62MI5W	RS3AD0122NA
R428	RMGCFMIC 1K2 OHM +5% 62MI5W	RS3AD0122NA
R429	RMGCFMIC 1K2 OHM +5% 62MI5W	RS3AD0122NA
R430	RMGCFMIC 1K2 OHM +5% 62MI5W	RS3AD0122NA
R431	RMGCFMIC 1K2 OHM +5% 62MI5W	RS3AD0122NA
R432	RMGCFMIC 5K6 OHM +5% 62MI5W	RS3AD0562NA
R433	RMGCFMIC 5K6 OHM +5% 62MI5W	RS3AD0562NA
R434	RMGCFMIC 5K6 OHM +5% 62MI5W	RS3AD0562NA
R435	RMGCFMIC 5K6 OHM +5% 62MI5W	RS3AD0562NA
R436	RMGCFMIC 5K6 OHM +5% 62MI5W	RS3AD0562NA
R437	RMGCFMIC 5K6 OHM +5% 62MI5W	RS3AD0562NA
R438	RMGCFMIC 5K6 OHM +5% 62MI5W	RS3AD0562NA
R439	RMGCFMIC 5K6 OHM +5% 62MI5W	RS3AD0562NA
R440	RMGCFMIC 5K6 OHM +5% 62MI5W	RS3AD0562NA
R441	RMGCFMIC 5K6 OHM +5% 62MI5W	RS3AD0562NA
R442	RMGCFMIC 5K6 OHM +5% 62MI5W	RS3AD0562NA
R443	RMGCFMIC 5K6 OHM +5% 62MI5W	RS3AD0562NA
R444	RMGCFMIC 5K6 OHM +5% 62MI5W	RS3AD0562NA
R445	RMGCFMIC 5K6 OHM +5% 62MI5W	RS3AD0562NA
R446	RMGCFMIC 5K6 OHM +5% 62MI5W	RS3AD0562NA
R447	RMGCFMIC 5K6 OHM +5% 62MI5W	RS3AD0562NA
R448	RMGCFMIC 100K0 OHM +5% 62MI5W	RS3AD0104NA-A
R449	RMGCFMIC 100K0 OHM +5% 62MI5W	RS3AD0104NA-A
R450	RMGCFMIC 100K0 OHM +5% 62MI5W	RS3AD0104NA-A
R451	RMGCFMIC 100K0 OHM +5% 62MI5W	RS3AD0104NA-A
R452	RMGCFMIC 100K0 OHM +5% 62MI5W	RS3AD0104NA-A
R453	RMGCFMIC 100K0 OHM +5% 62MI5W	RS3AD0104NA-A
R454	RMGCFMIC 100K0 OHM +5% 62MI5W	RS3AD0104NA-A
R455	RMGCFMIC 100K0 OHM +5% 62MI5W	RS3AD0104NA-A
R456	RMGCFMIC 560R0 OHM +5% 62MI5W	RS3AD0561NA
R457	RMGCFMIC 560R0 OHM +5% 62MI5W	RS3AD0561NA
R458	RMGCFMIC 560R0 OHM +5% 62MI5W	RS3AD0561NA
R459	RMGCFMIC 560R0 OHM +5% 62MI5W	RS3AD0561NA
R460	RMGCFMIC 560R0 OHM +5% 62MI5W	RS3AD0561NA
R461	RMGCFMIC 560R0 OHM +5% 62MI5W	RS3AD0561NA
R462	RMGCFMIC 560R0 OHM +5% 62MI5W	RS3AD0561NA
R463	RMGCFMIC 560R0 OHM +5% 62MI5W	RS3AD0561NA

POS	PART NAME	PART NUMBER
R464	RMGCFMIC 1K2 OHM +5% 62MI5W	RS3AD0122NA
R465	RMGCFMIC 1K2 OHM +5% 62MI5W	RS3AD0122NA
R466	RMGCFMIC 1K0 OHM +5% 62MI5W	RS3AD0102NA
R467	RMGCFMIC 1K0 OHM +5% 62MI5W	RS3AD0102NA
R468	RMGCFMIC 560R0 OHM +5% 62MI5W	RS3AD0561NA
R469	RMGCFMIC 560R0 OHM +5% 62MI5W	RS3AD0561NA
R470	RMGCFMIC 100K0 OHM +5% 62MI5W	RS3AD0104NA-A
R471	RMGCFMIC 100K0 OHM +5% 62MI5W	RS3AD0104NA-A
R472	RMGCFMIC 1K0 OHM +5% 62MI5W	RS3AD0102NA
R473	RMGCFMIC 1K0 OHM +5% 62MI5W	RS3AD0102NA
R5	RMGCFMIC 10K0 OHM +5% 62MI5W	RS3AD0103NA
R526	RMGCFMIC 4K7 OHM +5% 62MI5W	RS3AD0472NA
R527	RMGCFMIC 20K0 OHM +5% 62MI5W	RS3AD0203NA
R6	RMGCFMIC 0 OHM +0% 62MI5W	RS3AD0000NA
R600	RMGCFMIC 10R0 OHM +5% 62MI5W	RS3AD0100NA
R601	RMGCFMIC 10R0 OHM +5% 62MI5W	RS3AD0100NA
R602	RMGCFMIC 10R0 OHM +5% 62MI5W	RS3AD0100NA
R603	RMGCFMIC 10R0 OHM +5% 62MI5W	RS3AD0100NA
R604	RMGCFMIC 10R0 OHM +5% 62MI5W	RS3AD0100NA
R605	RMGCFMIC 10R0 OHM +5% 62MI5W	RS3AD0100NA
R606	RMGCFMIC 1K0 OHM +5% 62MI5W	RS3AD0102NA
R607	RMGCFMIC 1K0 OHM +5% 62MI5W	RS3AD0102NA
R608	RMGCFMIC 1K0 OHM +5% 62MI5W	RS3AD0102NA
R609	RMGCFMIC 1K0 OHM +5% 62MI5W	RS3AD0102NA
R610	RMGCFMIC 1K0 OHM +5% 62MI5W	RS3AD0102NA
R611	RMGCFMIC 10K0 OHM +5% 62MI5W	RS3AD0103NA
R612	RMGCFMIC 10K0 OHM +5% 62MI5W	RS3AD0103NA
R613	RMGCFMIC 47K0 OHM +5% 62MI5W	RS3AD0473NA
R614	RMGCFMIC 10K0 OHM +5% 62MI5W	RS3AD0103NA
R616	RMGCFMIC 10K0 OHM +5% 62MI5W	RS3AD0103NA
R617	RMGCFMIC 1K0 OHM +5% 62MI5W	RS3AD0102NA
R618	RMGCFMIC 1K0 OHM +5% 62MI5W	RS3AD0102NA
R619	RCF 1R0 OHM +5% 250MI0W	RC3DI010AIN
R620	RMGCFMIC 47K0 OHM +5% 62MI5W	RS3AD0473NA
R621	RMGCFMIC 10K0 OHM +5% 62MI5W	RS3AD0103NA
R622	RMGCFMIC 100K0 OHM +5% 62MI5W	RS3AD0104NA-A
R623	RMGCFMIC 47K0 OHM +5% 62MI5W	RS3AD0473NA
R624	RMGCFMIC 10K0 OHM +5% 62MI5W	RS3AD0103NA
R625	RMGCFMIC 4K7 OHM +5% 62MI5W	RS3AD0472NA
R626	RMGCFMIC 1K0 OHM +5% 62MI5W	RS3AD0102NA
R627	RMGCFMIC 1K0 OHM +5% 62MI5W	RS3AD0102NA
R628	RMGCFMIC 1K0 OHM +5% 62MI5W	RS3AD0102NA
R629	RMGCFMIC 1K0 OHM +5% 62MI5W	RS3AD0102NA
R630	RMGCFMIC 1K0 OHM +5% 62MI5W	RS3AD0102NA
R631	RMGCFMIC 1K0 OHM +5% 62MI5W	RS3AD0102NA
R632	RMGCFMIC 100R0 OHM +5% 62MI5W	RS3AD0101NA
R651	RMGCFMIC 4K7 OHM +5% 62MI5W	RS3AD0472NA
R652	RMGCFMIC 4K7 OHM +5% 62MI5W	RS3AD0472NA
R653	RMGCFMIC 4K7 OHM +5% 62MI5W	RS3AD0472NA
R655	RMGCFMIC 10K0 OHM +5% 62MI5W	RS3AD0103NA
R656	RMGCFMIC 10K0 OHM +5% 62MI5W	RS3AD0103NA
R657	RES_CHIP 20 OHM 1/16W +/-5% 0603	RS3AD0200NA
R658	RMGCFMIC 10K0 OHM +5% 62MI5W	RS3AD0103NA
R659	RMGCFMIC 10K0 OHM +5% 62MI5W	RS3AD0103NA
R7	RMGCFMIC 0 OHM +0% 62MI5W	RS3AD0000NA
R700	RMGCFMIC 75R0 OHM +5% 62MI5W	RS3AD0750NA
R702	RMGCFMIC 100K0 OHM +5% 62MI5W	RS3AD0104NA-A
R704	RMGCFMIC 560R0 OHM +5% 62MI5W	RS3AD0561NA
R705	RMGCFMIC 75R0 OHM +5% 62MI5W	RS3AD0750NA
R706	RMGCFMIC 100K0 OHM +5% 62MI5W	RS3AD0104NA-A
R708	RMGCFMIC 10R0 OHM +5% 62MI5W	RS3AD0100NA
R709	RMGCFMIC 680R0 OHM +5% 62MI5W	RS3AD0681NA
R710	RMGCFMIC 620R0 OHM +5% 62MI5W	RS3AD0621NA
R711	RMGCFMIC 100R0 OHM +5% 62MI5W	RS3AD0101NA
R712	RMGCFMIC 1K0 OHM +5% 62MI5W	RS3AD0102NA
R713	RMGCFMIC 1K0 OHM +5% 62MI5W	RS3AD0102NA

POS	PART NAME	PART NUMBER
R715	RMGCFMIC 100R0 OHM +5% 62MI5W	RS3AD0101NA
R716	RMGCFMIC 22R0 OHM +5% 62MI5W	RS3AD0220NA
R719	RMGCFMIC 10R0 OHM +5% 62MI5W	RS3AD0100NA
R720	RMGCFMIC 100R0 OHM +5% 62MI5W	RS3AD0101NA
R721	RMGCFMIC 510R0 OHM +5% 62MI5W	RS3AD0511NA
R722	RMGCFMIC 470R0 OHM +5% 62MI5W	RS3AD0471NA
R723	RMGCFMIC 75R0 OHM +5% 62MI5W	RS3AD0750NA
R724	RMGCFMIC 100K0 OHM +5% 62MI5W	RS3AD0104NA-A
R725	RMGCFMIC 2K2 OHM +5% 62MI5W	RS3AD0222NA
R726	RMGCFMIC 560R0 OHM +5% 62MI5W	RS3AD0561NA
R727	RMGCFMIC 47K0 OHM +5% 62MI5W	RS3AD0473NA
R729	RMGCFMIC 220R0 OHM +5% 62MI5W	RS3AD0221NA
R730	RMGCFMIC 100R0 OHM +5% 62MI5W	RS3AD0101NA
R731	RMGCFMIC 10R0 OHM +5% 62MI5W	RS3AD0100NA
R732	RMGCFMIC 100R0 OHM +5% 62MI5W	RS3AD0101NA
R733	RMGCFMIC 10R0 OHM +5% 62MI5W	RS3AD0100NA
R734	RMGCFMIC 10R0 OHM +5% 62MI5W	RS3AD0100NA
R736	RMGCFMIC 2K2 OHM +5% 62MI5W	RS3AD0222NA
R737	RMGCFMIC 47K0 OHM +5% 62MI5W	RS3AD0473NA
R738	RMGCFMIC 2K2 OHM +5% 62MI5W	RS3AD0222NA
R739	RMGCFMIC 47K0 OHM +5% 62MI5W	RS3AD0473NA
R743	RMGCFMIC 560R0 OHM +5% 62MI5W	RS3AD0561NA
R744	RMGCFMIC 3K3 OHM +5% 62MI5W	RS3AD0332NA
R745	RMGCFMIC 10R0 OHM +5% 62MI5W	RS3AD0100NA
R746	RMGCFMIC 220R0 OHM +5% 62MI5W	RS3AD0221NA
R8	RMGCFMIC 0 OHM +0% 62MI5W	RS3AD0000NA
R801	RMGCFMIC 220R0 OHM +5% 62MI5W	RS3AD0221NA
R802	RMGCFMIC 10K0 OHM +5% 62MI5W	RS3AD0103NA
R803	RMGCFMIC 390R0 OHM +5% 62MI5W	RS3AD0391NA
R804	RMGCFMIC 220R0 OHM +5% 62MI5W	RS3AD0221NA
R868	RMGCFMIC 10K0 OHM +5% 62MI5W	RS3AD0103NA
R869	RMGCFMIC 10K0 OHM +5% 62MI5W	RS3AD0103NA
R870	RMGCFMIC 3K0 OHM +5% 62MI5W	RS3AD0302NA
R871	RMGCFMIC 10K0 OHM +5% 62MI5W	RS3AD0103NA
R872	RMGCFMIC 10K0 OHM +5% 62MI5W	RS3AD0103NA
R873	RMGCFMIC 10K0 OHM +5% 62MI5W	RS3AD0103NA
R874	RMGCFMIC 10K0 OHM +5% 62MI5W	RS3AD0103NA
R875	RMGCFMIC 3K3 OHM +5% 62MI5W	RS3AD0332NA
R876	RMGCFMIC 3K3 OHM +5% 62MI5W	RS3AD0332NA
R877	RMGCFMIC 3K3 OHM +5% 62MI5W	RS3AD0332NA
R878	RMGCFMIC 3K3 OHM +5% 62MI5W	RS3AD0332NA
R901	RES_CHIP 27 OHM 1/16W +/-5% 0603	RS3AD0270NA
SK700	RELAYPWR 5.0V 166.0OHM 1.0A 24.0V	H01-RL0516632B-A
T700	TFPULSE TRANSFORMER 110UH FP-120 FERRIT MAGNET	H01-LF110P110NA
T701	TFPULSE TRANSFORMER 110UH FP-110 FERRIT MAGNET	H01-LF11030A2NA
Y600	CSTLS20MOX51-B0	H01-OSCN120MOCU
Y800	VCXO 24M576 HZ +50 PPM -50 PPM 0 OHM 3.3V	H01-OSCEM24M5RU-A

POS	PART NAME	PART NUMBER
C1	CCCFMIC 100P0F +5% -5% 50.0V NP0 0603	CZJII0101BE
C10	CCCFMIC 100P0F +5% -5% 50.0V NP0 0603	CZJII0101BE
C100	CE 47U0F +20% 16.0V 85C	CEHFC0476NN
C101	CE 47U0F +20% 16.0V 85C	CEHFC0476NN
C102	CE 47U0F +20% 16.0V 85C	CEHFC0476NN
C103	CE 47U0F +20% 16.0V 85C	CEHFC0476NN
C104	CE 47U0F +20% 16.0V 85C	CEHFC0476NN
C105	CE 47U0F +20% 16.0V 85C	CEHFC0476NN
C106	CE 10U0F +20% 16.0V 85C 5X11	CEHFC0106NN
C107	CE 10U0F +20% 16.0V 85C 5X11	CEHFC0106NN
C108	CE 47U0F +20% 16.0V 85C	CEHFC0476NN
C109	CE 47U0F +20% 16.0V 85C	CEHFC0476NN
C11	CCCFMIC 100P0F +5% -5% 50.0V NP0 0603	CZJII0101BE
C110	CCCFMIC 100P0F +5% -5% 50.0V NP0 0603	CZJII0101BE
C111	CCCFMIC 33P0F +5% -5% 50.0V NP0	CZJII0330BE
C112	CE 47U0F +20% 16.0V 85C	CEHFC0476NN
C113	CE 10U0F +20% 16.0V 85C AH SAMYOUNG	H01-CEHFC0106AH
C114	CE 10U0F +20% 16.0V 85C AH SAMYOUNG	H01-CEHFC0106AH
C115	CCCFMIC 33P0F +5% -5% 50.0V NP0	CZJII0330BE
C116	CE 10U0F +20% 16.0V 85C AH SAMYOUNG	H01-CEHFC0106AH
C117	CCCFMIC 100P0F +5% -5% 50.0V NP0 0603	CZJII0101BE
C118	CE 10U0F +20% 16.0V 85C AH SAMYOUNG	H01-CEHFC0106AH
C119	CE 47U0F +20% 16.0V 85C	CEHFC0476NN
C12	CCCFMIC 100P0F +5% -5% 50.0V NP0 0603	CZJII0101BE
C120	CE 47U0F +20% 16.0V 85C	CEHFC0476NN
C121	CE 10U0F +20% 16.0V 85C 5X11	CEHFC0106NN
C122	CE 47U0F +20% 16.0V 85C	CEHFC0476NN
C123	CE 10U0F +20% 16.0V 85C 5X11	CEHFC0106NN
C124	CE 10U0F +20% 16.0V 85C 5X11	CEHFC0106NN
C125	CE 10U0F +20% 16.0V 85C 5X11	CEHFC0106NN
C126	CE 10U0F +20% 16.0V 85C 5X11	CEHFC0106NN
C127	CE 47U0F +20% 16.0V 85C	CEHFC0476NN
C128	CCCFMIC 100P0F +5% -5% 50.0V NP0 0603	CZJII0101BE
C129	CE 47U0F +20% 16.0V 85C	CEHFC0476NN
C13	CE 10U0F +20% 16.0V 85C 5X11	CEHFC0106NN
C130	CCCFMIC 330P0F +5% -5% 50.0V NP0	CZJII0331BE
C131	CE 10U0F +20% 16.0V 85C 5X11	CEHFC0106NN
C132	CE 47U0F +20% 16.0V 85C	CEHFC0476NN
C133	CE 47U0F +20% 16.0V 85C	CEHFC0476NN
C134	CCCFMIC 330P0F +5% -5% 50.0V NP0	CZJII0331BE
C135	CCCFMIC 100P0F +5% -5% 50.0V NP0 0603	CZJII0101BE
C136	CCCFMIC 100P0F +5% -5% 50.0V NP0 0603	CZJII0101BE
C137	CCCFMIC 33P0F +5% -5% 50.0V NP0	CZJII0330BE
C138	CE 47U0F +20% 16.0V 85C	CEHFC0476NN
C139	CE 10U0F +20% 16.0V 85C AH SAMYOUNG	H01-CEHFC0106AH
C14	CE 10U0F +20% 16.0V 85C 5X11	CEHFC0106NN
C140	CE 10U0F +20% 16.0V 85C AH SAMYOUNG	H01-CEHFC0106AH
C141	CCCFMIC 33P0F +5% -5% 50.0V NP0	CZJII0330BE
C142	CE 10U0F +20% 16.0V 85C AH SAMYOUNG	H01-CEHFC0106AH
C143	CCCFMIC 100P0F +5% -5% 50.0V NP0 0603	CZJII0101BE
C144	CE 10U0F +20% 16.0V 85C AH SAMYOUNG	H01-CEHFC0106AH
C145	CE 47U0F +20% 16.0V 85C	CEHFC0476NN
C146	CE 47U0F +20% 16.0V 85C	CEHFC0476NN
C147	CE 10U0F +20% 16.0V 85C 5X11	CEHFC0106NN
C148	CCCFMIC 2N2F +10% -10% 50.0V X7R	CZKII0222BC
C149	CE 10U0F +20% 16.0V 85C 5X11	CEHFC0106NN
C15	CE 47U0F +20% 16.0V 85C	CEHFC0476NN
C150	CCCFMIC 2N2F +10% -10% 50.0V X7R	CZKII0222BC
C151	CE 10U0F +20% 16.0V 85C 5X11	CEHFC0106NN
C152	CE 10U0F +20% 16.0V 85C 5X11	CEHFC0106NN
C153	CE 47U0F +20% 16.0V 85C	CEHFC0476NN
C154	CCCFMIC 33P0F +5% -5% 50.0V NP0	CZJII0330BE
C155	CCCFMIC 100P0F +5% -5% 50.0V NP0 0603	CZJII0101BE
C156	CCCFMIC 100P0F +5% -5% 50.0V NP0 0603	CZJII0101BE
C157	CCCFMIC 33P0F +5% -5% 50.0V NP0	CZJII0330BE
C158	CE 47U0F +20% 16.0V 85C	CEHFC0476NN

POS	PART NAME	PART NUMBER
C159	CE 10U0F +20% 16.0V 85C 5X11	CEHFC0106NN
C16	CE 10U0F +20% 16.0V 85C 5X11	CEHFC0106NN
C160	CE 10U0F +20% 16.0V 85C 5X11	CEHFC0106NN
C161	CCCFMIC 33P0F +5% -5% 50.0V NP0	CZJII0330BE
C162	CE 10U0F +20% 16.0V 85C 5X11	CEHFC0106NN
C163	CCCFMIC 100P0F +5% -5% 50.0V NP0 0603	CZJII0101BE
C164	CE 10U0F +20% 16.0V 85C 5X11	CEHFC0106NN
C165	CE 47U0F +20% 16.0V 85C	CEHFC0476NN
C166	CCCFMIC 100P0F +5% -5% 50.0V NP0 0603	CZJII0101BE
C167	CCCFMIC 33P0F +5% -5% 50.0V NP0	CZJII0330BE
C168	CE 47U0F +20% 16.0V 85C	CEHFC0476NN
C169	CE 10U0F +20% 16.0V 85C 5X11	CEHFC0106NN
C17	CE 10U0F +20% 16.0V 85C 5X11	CEHFC0106NN
C170	CE 10U0F +20% 16.0V 85C 5X11	CEHFC0106NN
C171	CCCFMIC 33P0F +5% -5% 50.0V NP0	CZJII0330BE
C172	CE 10U0F +20% 16.0V 85C 5X11	CEHFC0106NN
C173	CCCFMIC 100P0F +5% -5% 50.0V NP0 0603	CZJII0101BE
C174	CE 10U0F +20% 16.0V 85C 5X11	CEHFC0106NN
C175	CE 47U0F +20% 16.0V 85C	CEHFC0476NN
C176	CE 330U0F +20% 25V 85C	CEHGC0337NN
C177	CE 330U0F +20% 25V 85C	CEHGC0337NN
C178	CCCFMIC 100P0F +5% -5% 50.0V NP0 0603	CZJII0101BE
C179	CCCFMIC 100P0F +5% -5% 50.0V NP0 0603	CZJII0101BE
C18	CE 47U0F +20% 16.0V 85C	CEHFC0476NN
C180	CCCFMIC 100P0F +5% -5% 50.0V NP0 0603	CZJII0101BE
C181	CCCFMIC 100P0F +5% -5% 50.0V NP0 0603	CZJII0101BE
C182	CCCFMIC 100P0F +5% -5% 50.0V NP0 0603	CZJII0101BE
C183	CCCFMIC 100P0F +5% -5% 50.0V NP0 0603	CZJII0101BE
C184	CCCFMIC 100P0F +5% -5% 50.0V NP0 0603	CZJII0101BE
C185	CCCFMIC 100N0F +80% -20% 16.0V Y5V	CZZFI0104BF
C186	CCCFMIC 100N0F +80% -20% 16.0V Y5V	CZZFI0104BF
C187	CCCFMIC 100N0F +80% -20% 16.0V Y5V	CZZFI0104BF
C188	CCCFMIC 33P0F +5% -5% 50.0V NP0	CZJII0330BE
C189	CE 47U0F +20% 16.0V 85C	CEHFC0476NN
C19	CE 10U0F +20% 16.0V 85C 5X11	CEHFC0106NN
C190	CE 10U0F +20% 16.0V 85C 5X11	CEHFC0106NN
C191	CCCFMIC 100P0F +5% -5% 50.0V NP0 0603	CZJII0101BE
C192	CCCFMIC 100P0F +5% -5% 50.0V NP0 0603	CZJII0101BE
C193	CCCFMIC 100P0F +5% -5% 50.0V NP0 0603	CZJII0101BE
C194	CCCFMIC 100P0F +5% -5% 50.0V NP0 0603	CZJII0101BE
C195	CE 10U0F +20% 16.0V 85C 5X11	CEHFC0106NN
C196	CE 10U0F +20% 16.0V 85C 5X11	CEHFC0106NN
C197	CE 10U0F +20% 16.0V 85C 5X11	CEHFC0106NN
C198	CE 10U0F +20% 16.0V 85C 5X11	CEHFC0106NN
C199	CCCFMIC 33P0F +5% -5% 50.0V NP0	CZJII0330BE
C2	CCCFMIC 100P0F +5% -5% 50.0V NP0 0603	CZJII0101BE
C20	CE 10U0F +20% 16.0V 85C 5X11	CEHFC0106NN
C200	CCCFMIC 33P0F +5% -5% 50.0V NP0	CZJII0330BE
C201	CE 47U0F +20% 16.0V 85C	CEHFC0476NN
C202	CE 47U0F +20% 16.0V 85C	CEHFC0476NN
C203	CCCFMIC 33P0F +5% -5% 50.0V NP0	CZJII0330BE
C204	CCCFMIC 33P0F +5% -5% 50.0V NP0	CZJII0330BE
C205	CE 10U0F +20% 16.0V 85C 5X11	CEHFC0106NN
C206	CE 10U0F +20% 16.0V 85C 5X11	CEHFC0106NN
C207	CE 10U0F +20% 16.0V 85C 5X11	CEHFC0106NN
C208	CE 47U0F +20% 16.0V 85C	CEHFC0476NN
C209	CE 47U0F +20% 16.0V 85C	CEHFC0476NN
C21	CCCFMIC 100P0F +5% -5% 50.0V NP0 0603	CZJII0101BE
C210	CE 47U0F +20% 16.0V 85C	CEHFC0476NN
C211	CCCFMIC 100N0F +80% -20% 16.0V Y5V	CZZFI0104BF
C212	CCCFMIC 100N0F +80% -20% 16.0V Y5V	CZZFI0104BF
C213	CCCFMIN 6N8F +5% -5% 50.0V X7R 0805	CZJII0682CC
C214	CCCFMIN 6N8F +5% -5% 50.0V X7R 0805	CZJII0682CC
C215	CCCFMIN 10N0F +5% 50.0V X7R 0805	CZJII0103CC
C216	CCCFMIN 10N0F +5% 50.0V X7R 0805	CZJII0103CC
C217	CCCFMIN 10N0F +5% 50.0V X7R 0805	CZJII0103CC

POS	PART NAME	PART NUMBER
C218	CCCFMIN 10N0F +-5% 50.0V X7R 0805	CZJII0103CC
C219	CCCFMIN 15P0F +5% -5% 50.0V NP0 0805	CZJII0150CE-A
C22	CCCFMIC 100P0F +5% -5% 50.0V NP0 0603	CZJII0101BE
C220	CCCFMIN 15P0F +5% -5% 50.0V NP0 0805	CZJII0150CE-A
C221	CE 4U7F +20% 50.0V 85C	CEHIC0475NN
C222	CE 4U7F +20% 50.0V 85C	CEHIC0475NN
C223	CCCFMIC 100P0F +5% -5% 50.0V NP0 0603	CZJII0101BE
C224	CE 47U0F +20% 16.0V 85C	CEHFC0476NN
C225	CE 47U0F +20% 16.0V 85C	CEHFC0476NN
C226	CCCFMIC 33P0F +5% -5% 50.0V NP0	CZJII0330BE
C227	CCCFMIC 33P0F +5% -5% 50.0V NP0	CZJII0330BE
C228	CCCFMIC 100P0F +5% -5% 50.0V NP0 0603	CZJII0101BE
C229	CCCFMIC 100P0F +5% -5% 50.0V NP0 0603	CZJII0101BE
C23	CCCFMIC 100P0F +5% -5% 50.0V NP0 0603	CZJII0101BE
C24	CCCFMIC 100P0F +5% -5% 50.0V NP0 0603	CZJII0101BE
C25	CCCFMIC 100P0F +5% -5% 50.0V NP0 0603	CZJII0101BE
C26	CCCFMIC 100P0F +5% -5% 50.0V NP0 0603	CZJII0101BE
C27	CCCFMIC 100P0F +5% -5% 50.0V NP0 0603	CZJII0101BE
C28	CCCFMIC 100P0F +5% -5% 50.0V NP0 0603	CZJII0101BE
C29	CCCFMIC 100P0F +5% -5% 50.0V NP0 0603	CZJII0101BE
C3	CCCFMIC 100P0F +5% -5% 50.0V NP0 0603	CZJII0101BE
C30	CCCFMIC 100P0F +5% -5% 50.0V NP0 0603	CZJII0101BE
C31	CCCFMIC 100P0F +5% -5% 50.0V NP0 0603	CZJII0101BE
C32	CCCFMIC 100P0F +5% -5% 50.0V NP0 0603	CZJII0101BE
C33	CCCFMIC 100P0F +5% -5% 50.0V NP0 0603	CZJII0101BE
C34	CCCFMIC 100P0F +5% -5% 50.0V NP0 0603	CZJII0101BE
C35	CCCFMIC 100P0F +5% -5% 50.0V NP0 0603	CZJII0101BE
C36	CCCFMIC 100P0F +5% -5% 50.0V NP0 0603	CZJII0101BE
C37	CE 10U0F +20% 16.0V 85C 5X11	CEHFC0106NN
C38	CE 10U0F +20% 16.0V 85C 5X11	CEHFC0106NN
C39	CE 47U0F +20% 16.0V 85C	CEHFC0476NN
C4	CCCFMIC 100P0F +5% -5% 50.0V NP0 0603	CZJII0101BE
C40	CE 10U0F +20% 16.0V 85C 5X11	CEHFC0106NN
C41	CE 10U0F +20% 16.0V 85C 5X11	CEHFC0106NN
C42	CE 47U0F +20% 16.0V 85C	CEHFC0476NN
C43	CCCFMIC 100P0F +5% -5% 50.0V NP0 0603	CZJII0101BE
C44	CCCFMIC 100P0F +5% -5% 50.0V NP0 0603	CZJII0101BE
C45	CCCFMIC 100P0F +5% -5% 50.0V NP0 0603	CZJII0101BE
C46	CCCFMIC 100P0F +5% -5% 50.0V NP0 0603	CZJII0101BE
C47	CCCFMIC 100P0F +5% -5% 50.0V NP0 0603	CZJII0101BE
C48	CCCFMIC 100P0F +5% -5% 50.0V NP0 0603	CZJII0101BE
C49	CCCFMIC 100P0F +5% -5% 50.0V NP0 0603	CZJII0101BE
C5	CE 47U0F +20% 16.0V 85C	CEHFC0476NN
C50	CCCFMIC 100P0F +5% -5% 50.0V NP0 0603	CZJII0101BE
C51	CCCFMIC 100N0F +80% -20% 16.0V Y5V	CZZFI0104BF
C52	CCCFMIC 100N0F +80% -20% 16.0V Y5V	CZZFI0104BF
C53	CE 10U0F +20% 16.0V 85C 5X11	CEHFC0106NN
C54	CE 10U0F +20% 16.0V 85C 5X11	CEHFC0106NN
C55	CE 47U0F +20% 16.0V 85C	CEHFC0476NN
C56	CE 10U0F +20% 16.0V 85C 5X11	CEHFC0106NN
C57	CE 10U0F +20% 16.0V 85C 5X11	CEHFC0106NN
C58	CE 47U0F +20% 16.0V 85C	CEHFC0476NN
C59	CE 10U0F +20% 16.0V 85C 5X11	CEHFC0106NN
C6	CE 10U0F +20% 16.0V 85C 5X11	CEHFC0106NN
C60	CE 10U0F +20% 16.0V 85C 5X11	CEHFC0106NN
C61	CCCFMIC 100P0F +5% -5% 50.0V NP0 0603	CZJII0101BE
C62	CCCFMIC 100P0F +5% -5% 50.0V NP0 0603	CZJII0101BE
C63	CCCFMIC 100P0F +5% -5% 50.0V NP0 0603	CZJII0101BE
C64	CCCFMIC 100P0F +5% -5% 50.0V NP0 0603	CZJII0101BE
C65	CCCFMIC 100P0F +5% -5% 50.0V NP0 0603	CZJII0101BE
C66	CCCFMIC 33P0F +5% -5% 50.0V NP0	CZJII0330BE
C67	CCCFMIC 100P0F +5% -5% 50.0V NP0 0603	CZJII0101BE
C68	CCCFMIC 33P0F +5% -5% 50.0V NP0	CZJII0330BE
C69	CCCFMIC 100P0F +5% -5% 50.0V NP0 0603	CZJII0101BE
C7	CE 10U0F +20% 16.0V 85C 5X11	CEHFC0106NN
C70	CCCFMIC 100P0F +5% -5% 50.0V NP0 0603	CZJII0101BE

POS	PART NAME	PART NUMBER
C71	CCCFMIC 100P0F +5% -5% 50.0V NP0 0603	CZJII0101BE
C72	CCCFMIC 100P0F +5% -5% 50.0V NP0 0603	CZJII0101BE
C73	CCCFMIC 100P0F +5% -5% 50.0V NP0 0603	CZJII0101BE
C74	CE 47U0F +20% 16.0V 85C	CEHFC0476NN
C75	CE 10U0F +20% 16.0V 85C 5X11	CEHFC0106NN
C76	CE 10U0F +20% 16.0V 85C 5X11	CEHFC0106NN
C77	CE 47U0F +20% 16.0V 85C	CEHFC0476NN
C78	CE 47U0F +20% 16.0V 85C	CEHFC0476NN
C79	CE 10U0F +20% 16.0V 85C AH SAMYOUNG	H01-CEHFC0106AH
C8	CE 47U0F +20% 16.0V 85C	CEHFC0476NN
C80	CE 10U0F +20% 16.0V 85C AH SAMYOUNG	H01-CEHFC0106AH
C81	CE 47U0F +20% 16.0V 85C	CEHFC0476NN
C82	CE 10U0F +20% 16.0V 85C AH SAMYOUNG	H01-CEHFC0106AH
C83	CE 10U0F +20% 16.0V 85C AH SAMYOUNG	H01-CEHFC0106AH
C84	CE 10U0F +20% 16.0V 85C 5X11	CEHFC0106NN
C85	CE 10U0F +20% 16.0V 85C 5X11	CEHFC0106NN
C86	CE 47U0F +20% 16.0V 85C	CEHFC0476NN
C87	CE 10U0F +20% 16.0V 85C 5X11	CEHFC0106NN
C88	CE 10U0F +20% 16.0V 85C 5X11	CEHFC0106NN
C89	CE 47U0F +20% 16.0V 85C	CEHFC0476NN
C9	CCCFMIC 100P0F +5% -5% 50.0V NP0 0603	CZJII0101BE
C90	CE 10U0F +20% 16.0V 85C 5X11	CEHFC0106NN
C91	CE 10U0F +20% 16.0V 85C 5X11	CEHFC0106NN
C92	CE 47U0F +20% 16.0V 85C	CEHFC0476NN
C93	CCCFMIC 2N2F +10% -10% 50.0V X7R	CZKII0222BC
C94	CCCFMIC 2N2F +10% -10% 50.0V X7R	CZKII0222BC
C95	CE 47U0F +20% 16.0V 85C	CEHFC0476NN
C96	CE 47U0F +20% 16.0V 85C	CEHFC0476NN
C97	CE 47U0F +20% 16.0V 85C	CEHFC0476NN
C98	CE 47U0F +20% 16.0V 85C	CEHFC0476NN
C99	CE 47U0F +20% 16.0V 85C	CEHFC0476NN
D12	D-ZENER UDZS 9.1B 9.1V 200MI0W	H01-DSUDZ09V1NB
D14	D-ZENER UDZS 9.1B 9.1V 200MI0W	H01-DSUDZ09V1NB
D2	D-SLP KDS160 85.0V 100MI0A	H01-DS0KDS160NB
D21	D-ZENER UDZS 9.1B 9.1V 200MI0W	H01-DSUDZ09V1NB
D8	D-ZENER UDZS 9.1B 9.1V 200MI0W	H01-DSUDZ09V1NB
D9	D-ZENER UDZS 9.1B 9.1V 200MI0W	H01-DSUDZ09V1NB
GND1	TERMLUG GND	H01-ZNMSA4004SN
IC1	IC-OPERAMP NJM2068M DUAL SOP8	H01-ICLM02068D2-A
IC10	IC-SWITCH TC9273F-004 SOP28 ANALOG SWITCH	H01-ICTC9273NDA
IC11	IC-OPERAMP NJM2068M DUAL SOP8	H01-ICLM02068D2-A
IC12	IC-OPERAMP NJM2068M DUAL SOP8	H01-ICLM02068D2-A
IC13	IC-OPERAMP NJM2068M DUAL SOP8	H01-ICLM02068D2-A
IC14	IC-SWITCH KIC9162AF SOP28 ANALOG SWITCH	H01-ICKIC9162DA
IC15	IC-OPERAMP NJM2068M DUAL SOP8	H01-ICLM02068D2-A
IC16	IC-OPERAMP NJM2068M DUAL SOP8	H01-ICLM02068D2-A
IC17	IC-OPERAMP NJM2068M DUAL SOP8	H01-ICLM02068D2-A
IC18	IC-LOWFREQ KIC9459F SOP24 TONE/VOL/BAL/MUTE	H01-ICKIC9459D5
IC19	IC-LOWFREQ KIC9482F SOP28 TONE/VOL/BAL/MUTE	H01-ICLM09482DA
IC2	IC-LOWFREQ KIC9459F SOP24 TONE/VOL/BAL/MUTE	H01-ICKIC9459D5
IC20	IC-OPERAMP NJM2068M DUAL SOP8	H01-ICLM02068D2-A
IC21	IC-OPERAMP NJM2068M DUAL SOP8	H01-ICLM02068D2-A
IC22	IC-OPERAMP NJM4556AM DUAL OP	H01-ICNJM4556DM
IC23	IC-OPERAMP NJM2068M DUAL SOP8	H01-ICLM02068D2-A
IC24	IC-OPERAMP NJM2068M DUAL SOP8	H01-ICLM02068D2-A
IC25	IC-OPERAMP NJM2068M DUAL SOP8	H01-ICLM02068D2-A
IC26	IC-OPERAMP NJM2068M DUAL SOP8	H01-ICLM02068D2-A
IC27	IC-OPERAMP NJM2068M DUAL SOP8	H01-ICLM02068D2-A
IC28	IC-LOWFREQ TC9481F SOP28 TONE	H01-ICTC9481FDA
IC29	IC-OPERAMP NJM2068M DUAL SOP8	H01-ICLM02068D2-A
IC3	IC-SWITCH KIC9163AF SOP28 ANALOG SWITCH	H01-ICKIC9163DA
IC30	IC-OPERAMP NJM2068M DUAL SOP8	H01-ICLM02068D2-A
IC4	IC-OPERAMP NJM2068M DUAL SOP8	H01-ICLM02068D2-A
IC5	IC-SWITCH KIC9162AF SOP28 ANALOG SWITCH	H01-ICKIC9162DA
IC6	IC-SWITCH TC9273F-004 SOP28 ANALOG SWITCH	H01-ICTC9273NDA
IC7	IC-OPERAMP NJM2068M DUAL SOP8	H01-ICLM02068D2-A

POS	PART NAME	PART NUMBER
IC8	IC-OPERAMP NJM2068M DUAL SOP8	H01-ICLM02068D2-A
IC9	IC-OPERAMP NJM2068M DUAL SOP8	H01-ICLM02068D2-A
J10	RMGCFMIC 0 OHM +0% 62MI5W	RS3AD0000NA
J11	RMGCFMIC 0 OHM +0% 62MI5W	RS3AD0000NA
J12	RMGCFMIC 0 OHM +0% 62MI5W	RS3AD0000NA
J26	RMGCFMIC 0 OHM +0% 62MI5W	RS3AD0000NA
J318	RMGCFMIC 0 OHM +0% 62MI5W	RS3AD0000NA
J38	RMGCFMIC 0 OHM +0% 62MI5W	RS3AD0000NA
J39	RMGCFMIC 0 OHM +0% 62MI5W	RS3AD0000NA
J40	RMGCFMIC 0 OHM +0% 62MI5W	RS3AD0000NA
J41	RMGCFMIC 0 OHM +0% 62MI5W	RS3AD0000NA
J7	RMGCFMIC 0 OHM +0% 62MI5W	RS3AD0000NA
J8	RMGCFMIC 0 OHM +0% 62MI5W	RS3AD0000NA
J9	RMGCFMIC 0 OHM +0% 62MI5W	RS3AD0000NA
JR317	RMGCFMIC 0 OHM +0% 62MI5W	RS3AD0000NA
N2	CONN 2.0MM 19 MA R NAT SOCKET MOLEX 35237-1910 0 0	H01-WN19AB00000
NJ51	JACK RCA 4P JB040131PN WWRR	H01-SORA40GNDNN
NJ52	JACK RCA 4P JB040131PN WWRR	H01-SORA40GNDNN
NJ53	JACK RCA 4P JB040131PN WWRR	H01-SORA40GNDNN
NJ54	JACK RCA 4P JB040131PN WWRR	H01-SORA40GNDNN
NJ55	JACK RCA 4P JB040131PN WWRR	H01-SORA40GNDNN
NP7	CONN 2.0MM 19 MA R NAT SOCKET MOLEX 35237-1910 0 0	H01-WN19AB00000
P1	CONN 2.0MM 4 MA ST NAT GT201-4P-TS	H01-WN04SB00000
P10	CONN 2.0MM 8 MA ST NAT GT201-8P-TS	H01-WN08SB00000
P12	CONN 2.0MM 4 MA ST NAT GT201-4P-TS	H01-WN04SB00000
P13	CONN 2.0MM 3 MA ST NAT GT201-3P-TS	H01-WN03SB00000
P2	CONN 2.0MM 11 MA R NAT SOCKET MOLEX 35237-1110 0 0	H01-WN11AB00000
P20	WIRECONASY DL 2.0MM 02P 75MM ANG UL1007 RIBBON 26 1 B2011H02	H01-WC2260755CG
P3	CONN 2.0MM 4 MA ST NAT GT201-4P-TS	H01-WN04SB00000
P4	CONN 2.0MM 6 MA ST NAT GT201-6P-TS	H01-WN06SB00000
P6	CONN 2.0MM 17 MA R NAT SOCKET MOLEX 35237-1710 0 0	H01-WN17AB00000
P9	CONN 2.0MM 15 MA ST NAT GT201-15P-TS	H01-WN15SB00000
Q1	TR-SLPSWA KTD1304 N 20V 300MI0A SOT-23	H01-TRKTD1304ND
Q10	TR-SLPSWA KTD1304 N 20V 300MI0A SOT-23	H01-TRKTD1304ND
Q11	TR-SLPSWA KTD1304 N 20V 300MI0A SOT-23	H01-TRKTD1304ND
Q12	TR-SLPSWA KTD1304 N 20V 300MI0A SOT-23	H01-TRKTD1304ND
Q13	TR-SSD DTA114YKA P 10K0 OHM 47K0 OHM	H01-TRDTA114YNI
Q14	TR-SSD DTA114YKA P 10K0 OHM 47K0 OHM	H01-TRDTA114YNI
Q15	TR-SLPSWA KTD1304 N 20V 300MI0A SOT-23	H01-TRKTD1304ND
Q16	TR-SLPSWA KTD1304 N 20V 300MI0A SOT-23	H01-TRKTD1304ND
Q17	TR-SSD DTA114YKA P 10K0 OHM 47K0 OHM	H01-TRDTA114YNI
Q19	TR-SLPSWA KTD1304 N 20V 300MI0A SOT-23	H01-TRKTD1304ND
Q2	TR-SLPSWA KTD1304 N 20V 300MI0A SOT-23	H01-TRKTD1304ND
Q20	TR-SSD DTA114YKA P 10K0 OHM 47K0 OHM	H01-TRDTA114YNI
Q23	TR-SSD DTA114YKA P 10K0 OHM 47K0 OHM	H01-TRDTA114YNI
Q24	TR-SLPSWA KTD1304 N 20V 300MI0A SOT-23	H01-TRKTD1304ND
Q25	TR-SSD DTA114YKA P 10K0 OHM 47K0 OHM	H01-TRDTA114YNI
Q26	TR-SLPSWA KTD1304 N 20V 300MI0A SOT-23	H01-TRKTD1304ND
Q27	TR-SLPSWA KTD1304 N 20V 300MI0A SOT-23	H01-TRKTD1304ND
Q28	TR-SLPSWA KTD1304 N 20V 300MI0A SOT-23	H01-TRKTD1304ND
Q29	TR-SLPSWA KTD1304 N 20V 300MI0A SOT-23	H01-TRKTD1304ND
Q3	TR-SSD DTA114YKA P 10K0 OHM 47K0 OHM	H01-TRDTA114YNI
Q30	TR-SLPSWA KTD1304 N 20V 300MI0A SOT-23	H01-TRKTD1304ND
Q31	TR-SLPSWA KTD1304 N 20V 300MI0A SOT-23	H01-TRKTD1304ND
Q32	TR-SSD DTA114YKA P 10K0 OHM 47K0 OHM	H01-TRDTA114YNI
Q33	TR-SLPSWA KTD1304 N 20V 300MI0A SOT-23	H01-TRKTD1304ND
Q34	TR-SSD DTA114YKA P 10K0 OHM 47K0 OHM	H01-TRDTA114YNI
Q35	TR-SSD DTA114YKA P 10K0 OHM 47K0 OHM	H01-TRDTA114YNI
Q36	TR-SLPSWA KTD1304 N 20V 300MI0A SOT-23	H01-TRKTD1304ND
Q37	TR-SSD DTA114YKA P 10K0 OHM 47K0 OHM	H01-TRDTA114YNI
Q38	TR-SLPSWA KTD1304 N 20V 300MI0A SOT-23	H01-TRKTD1304ND
Q39	TR-SLPSWA KTD1304 N 20V 300MI0A SOT-23	H01-TRKTD1304ND
Q4	TR-SLPSWA KTD1304 N 20V 300MI0A SOT-23	H01-TRKTD1304ND
Q40	TR-SLPSWA KTD1304 N 20V 300MI0A SOT-23	H01-TRKTD1304ND
Q41	TR-SSD DTA114YKA P 10K0 OHM 47K0 OHM	H01-TRDTA114YNI
Q42	TR-SLPSWA KTD1304 N 20V 300MI0A SOT-23	H01-TRKTD1304ND

POS	PART NAME	PART NUMBER
Q43	TR-SSD DTA114YKA P 10K0 OHM 47K0 OHM	H01-TRDTA114YNI
Q44	TR-SLPSWA KTD1304 N 20V 300MI0A SOT-23	H01-TRKTD1304ND
Q45	TR-SLPSWA KTD1304 N 20V 300MI0A SOT-23	H01-TRKTD1304ND
Q46	TR-SLPSWA KTD1304 N 20V 300MI0A SOT-23	H01-TRKTD1304ND
Q50	TR-SSD DTA114YKA P 10K0 OHM 47K0 OHM	H01-TRDTA114YNI
Q51	TR-SLPSWA KTD1304 N 20V 300MI0A SOT-23	H01-TRKTD1304ND
Q52	TR-SSD DTA114YKA P 10K0 OHM 47K0 OHM	H01-TRDTA114YNI
Q53	TR-SLPSWA KTD1304 N 20V 300MI0A SOT-23	H01-TRKTD1304ND
Q54	TR-SSD DTC114YKA N 10K0 OHM 47K0 OHM	H01-TRDTC114YNI
Q58	TR-SLPSWA KTD1304 N 20V 300MI0A SOT-23	H01-TRKTD1304ND
Q59	TR-SLPSWA KTD1304 N 20V 300MI0A SOT-23	H01-TRKTD1304ND
Q7	TR-SLPSWA KTD1304 N 20V 300MI0A SOT-23	H01-TRKTD1304ND
Q8	TR-SLPSWA KTD1304 N 20V 300MI0A SOT-23	H01-TRKTD1304ND
Q9	TR-SLPSWA KTD1304 N 20V 300MI0A SOT-23	H01-TRKTD1304ND
R1	RMGCFMIC 100R0 OHM +5% 62MI5W	RS3AD0101NA
R10	RMGCFMIC 100R0 OHM +5% 62MI5W	RS3AD0101NA
R100	RMGCFMIC 100K0 OHM +5% 62MI5W	RS3AD0104NA-A
R101	RMGCFMIC 100R0 OHM +5% 62MI5W	RS3AD0101NA
R102	RMGCFMIC 5K1 OHM +5% 62MI5W	RS3AD0512NA
R103	RMGCFMIC 100K0 OHM +5% 62MI5W	RS3AD0104NA-A
R104	RMGCFMIC 100K0 OHM +5% 62MI5W	RS3AD0104NA-A
R105	RMGCFMIC 5K1 OHM +5% 62MI5W	RS3AD0512NA
R106	RMGCFMIC 100R0 OHM +5% 62MI5W	RS3AD0101NA
R107	RMGCFMIC 100R0 OHM +5% 62MI5W	RS3AD0101NA
R108	RMGCFMIC 820R0 OHM +5% 62MI5W	RS3AD0821NA
R109	RMGCFMIC 100K0 OHM +5% 62MI5W	RS3AD0104NA-A
R11	RMGCFMIC 100R0 OHM +5% 62MI5W	RS3AD0101NA
R110	RMGCFMIC 100K0 OHM +5% 62MI5W	RS3AD0104NA-A
R111	RMGCFMIC 820R0 OHM +5% 62MI5W	RS3AD0821NA
R112	RMGCFMIC 100R0 OHM +5% 62MI5W	RS3AD0101NA
R113	RMGCFMIC 100K0 OHM +5% 62MI5W	RS3AD0104NA-A
R114	RMGCFMIC 100K0 OHM +5% 62MI5W	RS3AD0104NA-A
R115	RMGCFMIC 33K0 OHM +5% 62MI5W	RS3AD0333NA
R116	RMGCFMIC 33K0 OHM +5% 62MI5W	RS3AD0333NA
R117	RMGCFMIC 33K0 OHM +5% 62MI5W	RS3AD0333NA
R118	RMGCFMIC 33K0 OHM +5% 62MI5W	RS3AD0333NA
R119	RMGCFMIC 100K0 OHM +5% 62MI5W	RS3AD0104NA-A
R12	RMGCFMIC 100K0 OHM +5% 62MI5W	RS3AD0104NA-A
R120	RMGCFMIC 100K0 OHM +5% 62MI5W	RS3AD0104NA-A
R121	RMGCFMIC 100R0 OHM +5% 62MI5W	RS3AD0101NA
R122	RMGCFMIC 1K0 OHM +5% 62MI5W	RS3AD0102NA
R123	RMGCFMIC 100K0 OHM +5% 62MI5W	RS3AD0104NA-A
R124	RMGCFMIC 100K0 OHM +5% 62MI5W	RS3AD0104NA-A
R125	RMGCFMIC 1K0 OHM +5% 62MI5W	RS3AD0102NA
R126	RMGCFMIC 100R0 OHM +5% 62MI5W	RS3AD0101NA
R127	RMGCFMIC 470R0 OHM +5% 62MI5W	RS3AD0471NA
R128	RMGCFMIC 4K7 OHM +5% 62MI5W	RS3AD0472NA
R129	RMGCFMIC 100K0 OHM +5% 62MI5W	RS3AD0104NA-A
R13	RMGCFMIC 100R0 OHM +5% 62MI5W	RS3AD0101NA
R130	RMGCFMIC 100K0 OHM +5% 62MI5W	RS3AD0104NA-A
R131	RMGCFMIC 100R0 OHM +5% 62MI5W	RS3AD0101NA
R132	RMGCFMIC 2K0 OHM +5% 62MI5W	RS3AD0202NA-A
R133	RMGCFMIC 100R0 OHM +5% 62MI5W	RS3AD0101NA
R134	RMGCFMIC 12K0 OHM +5% 62MI5W	RS3AD0123NA
R135	RMGCFMIC 12K0 OHM +5% 62MI5W	RS3AD0123NA
R136	RMGCFMIC 100R0 OHM +5% 62MI5W	RS3AD0101NA
R137	RMGCFMIC 100R0 OHM +5% 62MI5W	RS3AD0101NA
R138	RMGCFMIC 1K0 OHM +5% 62MI5W	RS3AD0102NA
R139	RMGCFMIC 1K0 OHM +5% 62MI5W	RS3AD0102NA
R14	RMGCFMIC 100K0 OHM +5% 62MI5W	RS3AD0104NA-A
R140	RMGCFMIC 1K0 OHM +5% 62MI5W	RS3AD0102NA
R141	RMGCFMIC 100R0 OHM +5% 62MI5W	RS3AD0101NA
R142	RMGCFMIC 100R0 OHM +5% 62MI5W	RS3AD0101NA
R143	RMGCFMIC 1K0 OHM +5% 62MI5W	RS3AD0102NA
R144	RMGCFMIC 1K0 OHM +5% 62MI5W	RS3AD0102NA
R145	RMGCFMIC 1K0 OHM +5% 62MI5W	RS3AD0102NA

POS	PART NAME	PART NUMBER
R146	RMGCFMIC 100K0 OHM +5% 62MI5W	RS3AD0104NA-A
R147	RMGCFMIC 100K0 OHM +5% 62MI5W	RS3AD0104NA-A
R148	RMGCFMIC 470R0 OHM +5% 62MI5W	RS3AD0471NA
R149	RMGCFMIC 470R0 OHM +5% 62MI5W	RS3AD0471NA
R15	RMGCFMIC 100K0 OHM +5% 62MI5W	RS3AD0104NA-A
R150	RMGCFMIC 1K0 OHM +5% 62MI5W	RS3AD0102NA
R151	RMGCFMIC 1K0 OHM +5% 62MI5W	RS3AD0102NA
R152	RMGCFMIC 1K0 OHM +5% 62MI5W	RS3AD0102NA
R153	RMGCFMIC 1K0 OHM +5% 62MI5W	RS3AD0102NA
R154	RMGCFMIC 1K0 OHM +5% 62MI5W	RS3AD0102NA
R155	RMGCFMIC 1K0 OHM +5% 62MI5W	RS3AD0102NA
R156	RMGCFMIC 3K3 OHM +5% 62MI5W	RS3AD0332NA
R157	RMGCFMIC 3K3 OHM +5% 62MI5W	RS3AD0332NA
R158	RMGCFMIC 12K0 OHM +5% 62MI5W	RS3AD0123NA
R159	RMGCFMIC 3K3 OHM +5% 62MI5W	RS3AD0332NA
R16	RMGCFMIC 100K0 OHM +5% 62MI5W	RS3AD0104NA-A
R160	RMGCFMIC 3K3 OHM +5% 62MI5W	RS3AD0332NA
R161	RMGCFMIC 100K0 OHM +5% 62MI5W	RS3AD0104NA-A
R162	RMGCFMIC 100K0 OHM +5% 62MI5W	RS3AD0104NA-A
R163	RMGCFMIC 12K0 OHM +5% 62MI5W	RS3AD0123NA
R164	RMGCFMIC 12K0 OHM +5% 62MI5W	RS3AD0123NA
R165	RMGCFMIC 12K0 OHM +5% 62MI5W	RS3AD0123NA
R166	RMGCFMIC 100R0 OHM +5% 62MI5W	RS3AD0101NA
R167	RMGCFMIC 100R0 OHM +5% 62MI5W	RS3AD0101NA
R168	RMGCFMIC 1K0 OHM +5% 62MI5W	RS3AD0102NA
R169	RMGCFMIC 1K0 OHM +5% 62MI5W	RS3AD0102NA
R17	RMGCFMIC 100K0 OHM +5% 62MI5W	RS3AD0104NA-A
R170	RMGCFMIC 1K0 OHM +5% 62MI5W	RS3AD0102NA
R171	RMGCFMIC 100R0 OHM +5% 62MI5W	RS3AD0101NA
R172	RMGCFMIC 100R0 OHM +5% 62MI5W	RS3AD0101NA
R173	RMGCFMIC 820R0 OHM +5% 62MI5W	RS3AD0821NA
R174	RMGCFMIC 100R0 OHM +5% 62MI5W	RS3AD0101NA
R175	RMGCFMIC 100K0 OHM +5% 62MI5W	RS3AD0104NA-A
R176	RMGCFMIC 100K0 OHM +5% 62MI5W	RS3AD0104NA-A
R177	RMGCFMIC 4K3 OHM +5% 62MI5W	RS3AD0432NA
R178	RMGCFMIC 470R0 OHM +5% 62MI5W	RS3AD0471NA
R179	RMGCFMIC 4K3 OHM +5% 62MI5W	RS3AD0432NA
R18	RMGCFMIC 100R0 OHM +5% 62MI5W	RS3AD0101NA
R180	RMGCFMIC 820R0 OHM +5% 62MI5W	RS3AD0821NA
R181	RMGCFMIC 100K0 OHM +5% 62MI5W	RS3AD0104NA-A
R182	RMGCFMIC 470R0 OHM +5% 62MI5W	RS3AD0471NA
R183	RMGCFMIC 100K0 OHM +5% 62MI5W	RS3AD0104NA-A
R184	RMGCFMIC 100R0 OHM +5% 62MI5W	RS3AD0101NA
R185	RMGCFMIC 100R0 OHM +5% 62MI5W	RS3AD0101NA
R186	RMGCFMIC 100K0 OHM +5% 62MI5W	RS3AD0104NA-A
R187	RMGCFMIC 470R0 OHM +5% 62MI5W	RS3AD0471NA
R188	RMGCFMIC 100K0 OHM +5% 62MI5W	RS3AD0104NA-A
R189	RMGCFMIC 100R0 OHM +5% 62MI5W	RS3AD0101NA
R19	RMGCFMIC 33K0 OHM +5% 62MI5W	RS3AD0333NA
R190	RMGCFMIC 33K0 OHM +5% 62MI5W	RS3AD0333NA
R191	RMGCFMIC 100K0 OHM +5% 62MI5W	RS3AD0104NA-A
R192	RMGCFMIC 100K0 OHM +5% 62MI5W	RS3AD0104NA-A
R193	RMGCFMIC 100K0 OHM +5% 62MI5W	RS3AD0104NA-A
R194	RMGCFMIC 100K0 OHM +5% 62MI5W	RS3AD0104NA-A
R195	RMGCFMIC 100R0 OHM +5% 62MI5W	RS3AD0101NA
R196	RMGCFMIC 100K0 OHM +5% 62MI5W	RS3AD0104NA-A
R197	RMGCFMIC 100R0 OHM +5% 62MI5W	RS3AD0101NA
R198	RMGCFMIC 100R0 OHM +5% 62MI5W	RS3AD0101NA
R199	RMGCFMIC 100K0 OHM +5% 62MI5W	RS3AD0104NA-A
R2	RMGCFMIC 100K0 OHM +5% 62MI5W	RS3AD0104NA-A
R20	RMGCFMIC 33K0 OHM +5% 62MI5W	RS3AD0333NA
R200	RMGCFMIC 2K4 OHM +5% 62MI5W	RS3AD0242NA
R201	RMGCFMIC 100R0 OHM +5% 62MI5W	RS3AD0101NA
R202	RMGCFMIC 2K4 OHM +5% 62MI5W	RS3AD0242NA
R203	RMGCFMIC 100K0 OHM +5% 62MI5W	RS3AD0104NA-A
R204	RMGCFMIC 100R0 OHM +5% 62MI5W	RS3AD0101NA

POS	PART NAME	PART NUMBER
R205	RMGCFMIC 2K7 OHM +5% 62MI5W	RS3AD0272NA
R206	RMGCFMIC 470R0 OHM +5% 62MI5W	RS3AD0471NA
R207	RMGCFMIC 820R0 OHM +5% 62MI5W	RS3AD0821NA
R208	RMGCFMIC 220R0 OHM +5% 62MI5W	RS3AD0221NA
R209	RMGCFMIC 220R0 OHM +5% 62MI5W	RS3AD0221NA
R21	RMGCFMIC 100K0 OHM +5% 62MI5W	RS3AD0104NA-A
R210	RMGCFMIC 2K2 OHM +5% 62MI5W	RS3AD0222NA
R211	RMGCFMIC 470R0 OHM +5% 62MI5W	RS3AD0471NA
R212	RMGCFMIC 220R0 OHM +5% 62MI5W	RS3AD0221NA
R213	RMGCFMIC 2K2 OHM +5% 62MI5W	RS3AD0222NA
R214	RMGCFMIC 100K0 OHM +5% 62MI5W	RS3AD0104NA-A
R215	RMGCFMIC 820R0 OHM +5% 62MI5W	RS3AD0821NA
R216	RMGCFMIC 220R0 OHM +5% 62MI5W	RS3AD0221NA
R217	RMGCFMIC 100K0 OHM +5% 62MI5W	RS3AD0104NA-A
R218	RMGCFMIC 100K0 OHM +5% 62MI5W	RS3AD0104NA-A
R219	RMGCFMIC 33K0 OHM +5% 62MI5W	RS3AD0333NA
R22	RMGCFMIC 470R0 OHM +5% 62MI5W	RS3AD0471NA
R220	RMGCFMIC 2K2 OHM +5% 62MI5W	RS3AD0222NA
R221	RMGCFMIC 1K0 OHM +5% 62MI5W	RS3AD0102NA
R222	RMGCFMIC 3K6 OHM +5% 62MI5W	RS3AD0362NA-A
R223	RMGCFMIC 18K0 OHM +5% 62MI5W	RS3AD0183NA-A
R224	RMGCFMIC 2K2 OHM +5% 62MI5W	RS3AD0222NA
R225	RMGCFMIC 100K0 OHM +5% 62MI5W	RS3AD0104NA-A
R226	RMGCFMIC 2K2 OHM +5% 62MI5W	RS3AD0222NA
R227	RMGCFMIC 470K0 OHM +5% 62MI5W	RS3AD0474NA-A
R228	RMGCFMIC 2K2 OHM +5% 62MI5W	RS3AD0222NA
R229	RMGCFMIC 1K0 OHM +5% 62MI5W	RS3AD0102NA
R23	RMGCFMIC 2K2 OHM +5% 62MI5W	RS3AD0222NA
R230	RMGCFMIC 3K6 OHM +5% 62MI5W	RS3AD0362NA-A
R231	RMGCFMIC 100R0 OHM +5% 62MI5W	RS3AD0101NA
R232	RMGCFMIC 100R0 OHM +5% 62MI5W	RS3AD0101NA
R233	RMGCFMIC 100K0 OHM +5% 62MI5W	RS3AD0104NA-A
R234	RMGCFMIC 100K0 OHM +5% 62MI5W	RS3AD0104NA-A
R235	RMGCFMIC 1K5 OHM +5% 62MI5W	RS3AD0152NA-A
R236	RMGCFMIC 100K0 OHM +5% 62MI5W	RS3AD0104NA-A
R237	RMGCFMIC 1K5 OHM +5% 62MI5W	RS3AD0152NA-A
R238	RMGCFMIC 100R0 OHM +5% 62MI5W	RS3AD0101NA
R239	RMGCFMIC 100K0 OHM +5% 62MI5W	RS3AD0104NA-A
R24	RMGCFMIC 2K2 OHM +5% 62MI5W	RS3AD0222NA
R240	RMGCFMIC 5K1 OHM +5% 62MI5W	RS3AD0512NA
R241	RMGCFMIC 100K0 OHM +5% 62MI5W	RS3AD0104NA-A
R242	RMGCFMIC 100R0 OHM +5% 62MI5W	RS3AD0101NA
R243	RMGCFMIC 100R0 OHM +5% 62MI5W	RS3AD0101NA
R244	RMGCFMIC 100K0 OHM +5% 62MI5W	RS3AD0104NA-A
R245	RMGCFMIC 100K0 OHM +5% 62MI5W	RS3AD0104NA-A
R246	RMGCFMIC 100K0 OHM +5% 62MI5W	RS3AD0104NA-A
R247	RMGCFMIC 1K0 OHM +5% 62MI5W	RS3AD0102NA
R248	RMGCFMIC 9K1 OHM +5% 62MI5W	RS3AD0912NA
R249	RMGCFMIC 2K7 OHM +5% 62MI5W	RS3AD0272NA
R25	RMGCFMIC 470R0 OHM +5% 62MI5W	RS3AD0471NA
R250	RMGCFMIC 5K1 OHM +5% 62MI5W	RS3AD0512NA
R251	RMGCFMIC 100K0 OHM +5% 62MI5W	RS3AD0104NA-A
R252	RMGCFMIC 100K0 OHM +5% 62MI5W	RS3AD0104NA-A
R253	RMGCFMIC 100R0 OHM +5% 62MI5W	RS3AD0101NA
R254	RMGCFMIC 1K0 OHM +5% 62MI5W	RS3AD0102NA
R255	RMGCFMIC 2K0 OHM +5% 62MI5W	RS3AD0202NA-A
R256	RMGCFMIC 1K0 OHM +5% 62MI5W	RS3AD0102NA
R257	RMGCFMIC 2K2 OHM +5% 62MI5W	RS3AD0222NA
R258	RMGCFMIC 470K0 OHM +5% 62MI5W	RS3AD0474NA-A
R259	RMGCFMIC 2K2 OHM +5% 62MI5W	RS3AD0222NA
R26	RMGCFMIC 100K0 OHM +5% 62MI5W	RS3AD0104NA-A
R260	RMGCFMIC 100R0 OHM +5% 62MI5W	RS3AD0101NA
R261	RMGCFMIC 2K2 OHM +5% 62MI5W	RS3AD0222NA
R262	RMGCFMIC 18K0 OHM +5% 62MI5W	RS3AD0183NA-A
R263	RMGCFMIC 2K0 OHM +5% 62MI5W	RS3AD0202NA-A
R264	RMGCFMIC 1K0 OHM +5% 62MI5W	RS3AD0102NA

POS	PART NAME	PART NUMBER
R265	RMGCFMIC 33K0 OHM +5% 62MI5W	RS3AD0333NA
R266	RMGCFMIC 33K0 OHM +5% 62MI5W	RS3AD0333NA
R267	RMGCFMIC 33K0 OHM +5% 62MI5W	RS3AD0333NA
R268	RMGCFMIC 2K2 OHM +5% 62MI5W	RS3AD0222NA
R269	RMGCFMIC 1K0 OHM +5% 62MI5W	RS3AD0102NA
R27	RMGCFMIC 1K0 OHM +5% 62MI5W	RS3AD0102NA
R270	RMGCFMIC 2K0 OHM +5% 62MI5W	RS3AD0202NA-A
R271	RMGCFMIC 18K0 OHM +5% 62MI5W	RS3AD0183NA-A
R272	RMGCFMIC 2K2 OHM +5% 62MI5W	RS3AD0222NA
R273	RMGCFMIC 100R0 OHM +5% 62MI5W	RS3AD0101NA
R274	RMGCFMIC 2K2 OHM +5% 62MI5W	RS3AD0222NA
R275	RMGCFMIC 470K0 OHM +5% 62MI5W	RS3AD0474NA-A
R276	RMGCFMIC 2K2 OHM +5% 62MI5W	RS3AD0222NA
R277	RMGCFMIC 1K0 OHM +5% 62MI5W	RS3AD0102NA
R278	RMGCFMIC 2K0 OHM +5% 62MI5W	RS3AD0202NA-A
R279	RMGCFMIC 1K0 OHM +5% 62MI5W	RS3AD0102NA
R28	RMGCFMIC 100K0 OHM +5% 62MI5W	RS3AD0104NA-A
R280	RMGCFMIC 100R0 OHM +5% 62MI5W	RS3AD0101NA
R281	RMGCFMIC 100K0 OHM +5% 62MI5W	RS3AD0104NA-A
R282	RMGCFMIC 100K0 OHM +5% 62MI5W	RS3AD0104NA-A
R283	RMGCFMIC 5K1 OHM +5% 62MI5W	RS3AD0512NA
R284	RMGCFMIC 470R0 OHM +5% 62MI5W	RS3AD0471NA
R285	RMGCFMIC 5K1 OHM +5% 62MI5W	RS3AD0512NA
R286	RMGCFMIC 1K0 OHM +5% 62MI5W	RS3AD0102NA
R287	RMGCFMIC 100K0 OHM +5% 62MI5W	RS3AD0104NA-A
R288	RMGCFMIC 100R0 OHM +5% 62MI5W	RS3AD0101NA
R289	RMGCFMIC 100K0 OHM +5% 62MI5W	RS3AD0104NA-A
R29	RMGCFMIC 1K0 OHM +5% 62MI5W	RS3AD0102NA
R290	RMGCFMIC 100R0 OHM +5% 62MI5W	RS3AD0101NA
R291	RMGCFMIC 33K0 OHM +5% 62MI5W	RS3AD0333NA
R292	RMGCFMIC 2K2 OHM +5% 62MI5W	RS3AD0222NA
R293	RMGCFMIC 1K0 OHM +5% 62MI5W	RS3AD0102NA
R294	RMGCFMIC 2K0 OHM +5% 62MI5W	RS3AD0202NA-A
R295	RMGCFMIC 18K0 OHM +5% 62MI5W	RS3AD0183NA-A
R296	RMGCFMIC 2K2 OHM +5% 62MI5W	RS3AD0222NA
R297	RMGCFMIC 100K0 OHM +5% 62MI5W	RS3AD0104NA-A
R298	RMGCFMIC 2K2 OHM +5% 62MI5W	RS3AD0222NA
R299	RMGCFMIC 470K0 OHM +5% 62MI5W	RS3AD0474NA-A
R3	RMGCFMIC 1K0 OHM +5% 62MI5W	RS3AD0102NA
R30	RMGCFMIC 100R0 OHM +5% 62MI5W	RS3AD0101NA
R300	RMGCFMIC 2K2 OHM +5% 62MI5W	RS3AD0222NA
R301	RMGCFMIC 1K0 OHM +5% 62MI5W	RS3AD0102NA
R302	RMGCFMIC 2K0 OHM +5% 62MI5W	RS3AD0202NA-A
R303	RMGCFMIC 1K0 OHM +5% 62MI5W	RS3AD0102NA
R304	RMGCFMIC 100R0 OHM +5% 62MI5W	RS3AD0101NA
R305	RMGCFMIC 100K0 OHM +5% 62MI5W	RS3AD0104NA-A
R306	RMGCFMIC 100K0 OHM +5% 62MI5W	RS3AD0104NA-A
R307	RMGCFMIC 5K1 OHM +5% 62MI5W	RS3AD0512NA
R308	RMGCFMIC 100K0 OHM +5% 62MI5W	RS3AD0104NA-A
R309	RMGCFMIC 5K1 OHM +5% 62MI5W	RS3AD0512NA
R31	RMGCFMIC 100R0 OHM +5% 62MI5W	RS3AD0101NA
R310	RMGCFMIC 1K0 OHM +5% 62MI5W	RS3AD0102NA
R311	RMGCFMIC 100K0 OHM +5% 62MI5W	RS3AD0104NA-A
R312	RMGCFMIC 5K1 OHM +5% 62MI5W	RS3AD0512NA
R313	RMGCFMIC 100K0 OHM +5% 62MI5W	RS3AD0104NA-A
R314	RMGCFMIC 100R0 OHM +5% 62MI5W	RS3AD0101NA
R315	RMGCFMIC 2K2 OHM +5% 62MI5W	RS3AD0222NA
R316	RMGCFMIC 2K2 OHM +5% 62MI5W	RS3AD0222NA
R32	RMGCFMIC 1K0 OHM +5% 62MI5W	RS3AD0102NA
R324	RMGCFMIC 1K0 OHM +5% 62MI5W	RS3AD0102NA
R325	RMGCFMIC 1K0 OHM +5% 62MI5W	RS3AD0102NA
R326	RMGCFMIC 1K0 OHM +5% 62MI5W	RS3AD0102NA
R327	RMGCFMIC 2K2 OHM +5% 62MI5W	RS3AD0222NA
R329	RMGCFMIC 1K0 OHM +5% 62MI5W	RS3AD0102NA
R33	RMGCFMIC 100K0 OHM +5% 62MI5W	RS3AD0104NA-A
R330	RMGCFMIC 2K2 OHM +5% 62MI5W	RS3AD0222NA

POS	PART NAME	PART NUMBER
R331	RMGCFMIC 470K0 OHM +5% 62MI5W	RS3AD0474NA-A
R332	RMGCFMIC 33K0 OHM +5% 62MI5W	RS3AD0333NA
R333	RMGCFMIC 2K2 OHM +5% 62MI5W	RS3AD0222NA
R334	RMGCFMIC 1K0 OHM +5% 62MI5W	RS3AD0102NA
R335	RMGCFMIC 470R0 OHM +5% 62MI5W	RS3AD0471NA
R336	RMGCFMIC 2K2 OHM +5% 62MI5W	RS3AD0222NA
R337	RMGCFMIC 2K2 OHM +5% 62MI5W	RS3AD0222NA
R34	RMGCFMIC 1K0 OHM +5% 62MI5W	RS3AD0102NA
R341	RMGCFMIC 100K0 OHM +5% 62MI5W	RS3AD0104NA-A
R343	RMGCFMIC 1K0 OHM +5% 62MI5W	RS3AD0102NA
R344	RMGCFMIC 1K0 OHM +5% 62MI5W	RS3AD0102NA
R345	RMGCFMIC 1K0 OHM +5% 62MI5W	RS3AD0102NA
R346	RMGCFMIC 1K0 OHM +5% 62MI5W	RS3AD0102NA
R347	RMGCFMIC 1K0 OHM +5% 62MI5W	RS3AD0102NA
R348	RMGCFMIC 1K0 OHM +5% 62MI5W	RS3AD0102NA
R349	RMGCFMIC 1K0 OHM +5% 62MI5W	RS3AD0102NA
R35	RMGCFMIC 100K0 OHM +5% 62MI5W	RS3AD0104NA-A
R350	RMGCFMIC 1K0 OHM +5% 62MI5W	RS3AD0102NA
R351	RMGCFMIC 470R0 OHM +5% 62MI5W	RS3AD0471NA
R352	RMGCFMIC 470R0 OHM +5% 62MI5W	RS3AD0471NA
R353	RMGCFMIC 470R0 OHM +5% 62MI5W	RS3AD0471NA
R354	RMGCFMIC 470R0 OHM +5% 62MI5W	RS3AD0471NA
R355	RMGCFMIC 470R0 OHM +5% 62MI5W	RS3AD0471NA
R356	RMGCFMIC 470R0 OHM +5% 62MI5W	RS3AD0471NA
R357	RMGCFMIC 470R0 OHM +5% 62MI5W	RS3AD0471NA
R358	RMGCFMIC 470R0 OHM +5% 62MI5W	RS3AD0471NA
R359	RMGCFMIC 470R0 OHM +5% 62MI5W	RS3AD0471NA
R36	RMGCFMIC 470R0 OHM +5% 62MI5W	RS3AD0471NA
R360	RMGCFMIC 470R0 OHM +5% 62MI5W	RS3AD0471NA
R361	RMGCFMIC 470R0 OHM +5% 62MI5W	RS3AD0471NA
R362	RMGCFMIC 470R0 OHM +5% 62MI5W	RS3AD0471NA
R363	RMGCFMIC 470R0 OHM +5% 62MI5W	RS3AD0471NA
R364	RMGCFMIC 470R0 OHM +5% 62MI5W	RS3AD0471NA
R365	RMGCFMIC 470R0 OHM +5% 62MI5W	RS3AD0471NA
R366	RMGCFMIC 470R0 OHM +5% 62MI5W	RS3AD0471NA
R367	RMGCFMIC 470R0 OHM +5% 62MI5W	RS3AD0471NA
R368	RMGCFMIC 470R0 OHM +5% 62MI5W	RS3AD0471NA
R369	RMGCFMIC 470R0 OHM +5% 62MI5W	RS3AD0471NA
R37	RMGCFMIC 2K2 OHM +5% 62MI5W	RS3AD0222NA
R370	RMGCFMIC 470R0 OHM +5% 62MI5W	RS3AD0471NA
R371	RMGCFMIC 470R0 OHM +5% 62MI5W	RS3AD0471NA
R372	RMGCFMIC 470R0 OHM +5% 62MI5W	RS3AD0471NA
R373	RMGCFMIC 470R0 OHM +5% 62MI5W	RS3AD0471NA
R374	RMGCFMIC 470R0 OHM +5% 62MI5W	RS3AD0471NA
R375	RMGCFMIC 470R0 OHM +5% 62MI5W	RS3AD0471NA
R38	RMGCFMIC 2K2 OHM +5% 62MI5W	RS3AD0222NA
R39	RMGCFMIC 470R0 OHM +5% 62MI5W	RS3AD0471NA
R4	RMGCFMIC 1K0 OHM +5% 62MI5W	RS3AD0102NA
R40	RMGCFMIC 100K0 OHM +5% 62MI5W	RS3AD0104NA-A
R41	RMGCFMIC 100K0 OHM +5% 62MI5W	RS3AD0104NA-A
R42	RMGCFMIC 100K0 OHM +5% 62MI5W	RS3AD0104NA-A
R43	RMGCFMIC 100K0 OHM +5% 62MI5W	RS3AD0104NA-A
R44	RMGCFMIC 100R0 OHM +5% 62MI5W	RS3AD0101NA
R45	RMGCFMIC 100K0 OHM +5% 62MI5W	RS3AD0104NA-A
R46	RMGCFMIC 1K0 OHM +5% 62MI5W	RS3AD0102NA
R47	RMGCFMIC 100K0 OHM +5% 62MI5W	RS3AD0104NA-A
R48	RMGCFMIC 1K0 OHM +5% 62MI5W	RS3AD0102NA
R49	RMGCFMIC 1K0 OHM +5% 62MI5W	RS3AD0102NA
R5	RMGCFMIC 100K0 OHM +5% 62MI5W	RS3AD0104NA-A
R50	RMGCFMIC 100K0 OHM +5% 62MI5W	RS3AD0104NA-A
R51	RMGCFMIC 1K0 OHM +5% 62MI5W	RS3AD0102NA
R52	RMGCFMIC 100K0 OHM +5% 62MI5W	RS3AD0104NA-A
R53	RMGCFMIC 2K2 OHM +5% 62MI5W	RS3AD0222NA
R54	RMGCFMIC 2K2 OHM +5% 62MI5W	RS3AD0222NA
R55	RMGCFMIC 33K0 OHM +5% 62MI5W	RS3AD0333NA
R56	RMGCFMIC 33K0 OHM +5% 62MI5W	RS3AD0333NA

POS	PART NAME	PART NUMBER
R57	RMGCFMIC 1K0 OHM +5% 62MI5W	RS3AD0102NA
R58	RMGCFMIC 100K0 OHM +5% 62MI5W	RS3AD0104NA-A
R59	RMGCFMIC 1K0 OHM +5% 62MI5W	RS3AD0102NA
R6	RMGCFMIC 470R0 OHM +5% 62MI5W	RS3AD0471NA
R60	RMGCFMIC 100K0 OHM +5% 62MI5W	RS3AD0104NA-A
R61	RMGCFMIC 1K0 OHM +5% 62MI5W	RS3AD0102NA
R62	RMGCFMIC 33K0 OHM +5% 62MI5W	RS3AD0333NA
R63	RMGCFMIC 100R0 OHM +5% 62MI5W	RS3AD0101NA
R64	RMGCFMIC 100R0 OHM +5% 62MI5W	RS3AD0101NA
R65	RMGCFMIC 100K0 OHM +5% 62MI5W	RS3AD0104NA-A
R66	RMGCFMIC 100K0 OHM +5% 62MI5W	RS3AD0104NA-A
R67	RMGCFMIC 100K0 OHM +5% 62MI5W	RS3AD0104NA-A
R68	RMGCFMIC 100K0 OHM +5% 62MI5W	RS3AD0104NA-A
R69	RMGCFMIC 5K1 OHM +5% 62MI5W	RS3AD0512NA
R7	RMGCFMIC 2K2 OHM +5% 62MI5W	RS3AD0222NA
R70	RMGCFMIC 5K1 OHM +5% 62MI5W	RS3AD0512NA
R71	RMGCFMIC 1K0 OHM +5% 62MI5W	RS3AD0102NA
R72	RMGCFMIC 1K0 OHM +5% 62MI5W	RS3AD0102NA
R73	RMGCFMIC 470R0 OHM +5% 62MI5W	RS3AD0471NA
R74	RMGCFMIC 33K0 OHM +5% 62MI5W	RS3AD0333NA
R75	RMGCFMIC 100R0 OHM +5% 62MI5W	RS3AD0101NA
R76	RMGCFMIC 470R0 OHM +5% 62MI5W	RS3AD0471NA
R77	RMGCFMIC 100R0 OHM +5% 62MI5W	RS3AD0101NA
R78	RMGCFMIC 100R0 OHM +5% 62MI5W	RS3AD0101NA
R79	RMGCFMIC 100R0 OHM +5% 62MI5W	RS3AD0101NA
R8	RMGCFMIC 2K2 OHM +5% 62MI5W	RS3AD0222NA
R80	RMGCFMIC 1K0 OHM +5% 62MI5W	RS3AD0102NA
R81	RMGCFMIC 1K0 OHM +5% 62MI5W	RS3AD0102NA
R82	RMGCFMIC 100R0 OHM +5% 62MI5W	RS3AD0101NA
R83	RMGCFMIC 33K0 OHM +5% 62MI5W	RS3AD0333NA
R84	RMGCFMIC 33K0 OHM +5% 62MI5W	RS3AD0333NA
R85	RMGCFMIC 100K0 OHM +5% 62MI5W	RS3AD0104NA-A
R86	RMGCFMIC 100K0 OHM +5% 62MI5W	RS3AD0104NA-A
R87	RMGCFMIC 33K0 OHM +5% 62MI5W	RS3AD0333NA
R88	RMGCFMIC 100R0 OHM +5% 62MI5W	RS3AD0101NA
R89	RMGCFMIC 100R0 OHM +5% 62MI5W	RS3AD0101NA
R9	RMGCFMIC 470R0 OHM +5% 62MI5W	RS3AD0471NA
R90	RMGCFMIC 33K0 OHM +5% 62MI5W	RS3AD0333NA
R91	RMGCFMIC 1K0 OHM +5% 62MI5W	RS3AD0102NA
R92	RMGCFMIC 1K0 OHM +5% 62MI5W	RS3AD0102NA
R93	RMGCFMIC 1K0 OHM +5% 62MI5W	RS3AD0102NA
R94	RMGCFMIC 1K0 OHM +5% 62MI5W	RS3AD0102NA
R95	RMGCFMIC 1K0 OHM +5% 62MI5W	RS3AD0102NA
R96	RMGCFMIC 1K0 OHM +5% 62MI5W	RS3AD0102NA
R97	RMGCFMIC 33K0 OHM +5% 62MI5W	RS3AD0333NA
R98	RMGCFMIC 100R0 OHM +5% 62MI5W	RS3AD0101NA
R99	RMGCFMIC 100K0 OHM +5% 62MI5W	RS3AD0104NA-A
SK1	RELAYSGNL 12.0V 960.0OHM 3.0A	H01-RLL1296122A

POS	PART NAME	PART NUMBER
060	SCREW ST BH 3X10	ZSTBM3010BB
BK70	AC PUN SHIELD DIGITAL ET	H01-ZMC12S17A00
C101	CC 100N0F +80% -20% 50.0V F	CCZID0104NA
C102	CPM 220N0F +5% 63.0V	CFLJC0224NN
C103	CE 470U0F +20% 63.0V 85C	CEHJA0477MN
C104	CE 100U0F +20% 50.0V 85C	CEHIC0107NN
C105	CC 10N0F +10% -10% 50.0V Y5P	CCKIC0103NA
C106	CC 10N0F +10% -10% 50.0V Y5P	CCKIC0103NA
C107	CC 10N0F +10% -10% 50.0V Y5P	CCKIC0103NA
C108	CC 100N0F +80% -20% 50.0V F	CCZID0104NA
C109	CC 100N0F +80% -20% 50.0V F	CCZID0104NA
C110	CC 10N0F +10% -10% 50.0V Y5P	CCKIC0103NA
C111	CE 470U0F +20% 25.0V 85C	CEHGC0477NN
C112	CE 680U0F +20% 25.0V 85C	CEHGC0687NN
C113	CC 100N0F +80% -20% 50.0V F	CCZID0104NA
C114	CC 100N0F +80% -20% 50.0V F	CCZID0104NA
C115	CE 1U0F +20% 50.0V 5X11 85C	CEHIC0105NN
C116	CE 10U0F +20% 50.0V 85C	CEHIC0106NN
C117	CE 1U0F +20% 50.0V 5X11 85C	CEHIC0105NN
C118	CC 4N7F +20% -20% 250.0V Y5V	CCMOC0472NF
C201	CE 10MIOF +20% 63.0V 85C	H01-CEHJA0109NN
C202	CE 10MIOF +20% 63.0V 85C	H01-CEHJA0109NN
C203	CPM 100N0F +10% 250.0V	CFIOC0104NN
C204	CPM 100N0F +10% 250.0V	CFIOC0104NN
C205	CPM 100N0F +10% 250.0V	CFIOC0104NN
C701	CCCFMIC 100N0F +80% -20% 16.0V Y5V	CZZFI0104BF
C702	CCCFMIC 100N0F +80% -20% 16.0V Y5V	CZZFI0104BF
D101	D-SR 1N4004 400.0V 1.0A	H01-DR1N04004NA
D102	D-SR 1N4004 400.0V 1.0A	H01-DR1N04004NA
D104	D-SR 1N4004 400.0V 1.0A	H01-DR1N04004NA
D105	D-SR 1N4004 400.0V 1.0A	H01-DR1N04004NA
D106	D-SR 1N4004 400.0V 1.0A	H01-DR1N04004NA
D107	D-SR 1N4004 400.0V 1.0A	H01-DR1N04004NA
D109	D-ZENER 1N5239B 9.1V 500MI0W	H01-DZ1N5239BNB-A
D110	D-SR 1N4004 400.0V 1.0A	H01-DR1N04004NA
D111	D-SLP 1N4148 100.0V 150E-3A	H01-DG1N04148NB
D112	D-SR 1N4004 400.0V 1.0A	H01-DR1N04004NA
D113	D-ZENER 1N5231B 5.1V 500MI0W	H01-DZ1N05231NB
D114	D-SLP 1N4148 100.0V 150E-3A	H01-DG1N04148NB
D115	DIODE RECT MTZ J 22B 22V 0.5W	H01-DZMTZJ22BNB
D116	DIODE RECT MTZ J 22B 22V 0.5W	H01-DZMTZJ22BNB
D201	D-BRDLC BRIDGE BU10-04	H01-DRBU10040BA
D301	D-SR 1N4004 400.0V 1.0A	H01-DR1N04004NA
F1	FUSVDETIMELG 2.0A 250.0 V 5X20	H01-FUGF202A0XX
F101	FUSVDETIMELG 6.3A 250.0 V 5X20	H01-FUGF26A30XX
FH10	TERMFUSEHLDR FUSE-HOLDER J4210020001X	H01-SOPS1FEHDNN
FH11	TERMFUSEHLDR FUSE-HOLDER J4210020001X	H01-SOPS1FEHDNN
FH13	TERMFUSEHLDR FUSE-HOLDER J4210020001X	H01-SOPS1FEHDNN
FH14	TERMFUSEHLDR FUSE-HOLDER J4210020001X	H01-SOPS1FEHDNN
G101	TERMLUG GND	H01-ZNMSA4004SN
G102	TERMLUG GND	H01-ZNMSA4004SN
HK11	AC HEATSINK 17*15*30 AVR520 -- ME	H01-ZMC12HS0100
IC11	IC-REGPOFXD KIA7805API NORMAL TO-220IS	H01-ICKIA7805I2
L701	FBEAD SURFACE MT 2500OHM FCM2012H-252T02	H01-FB2K52012NN
L702	FBEAD SURFACE MT 2500OHM FCM2012H-252T02	H01-FB2K52012NN
N202	WIRECONASY DL 3.96MM 3P 170MM UL1007 RIBBON 16 1	H01-WG03SE81700
N203	WIRECONASY DL 3.96MM 4P 240MM UL1007 RIBBON 16 1	H01-WG04SE82400
N209	WIRECONASY UNIQUE 2P 150MM UL1617 PVC DOUBLE INSULATED 20 1	H01-WG02SG8152A
N700	CNT ASSY 2.0MM 5P 810MM SHIELD 26AWG UL1007	H01-WS5268105CN
NJ70	JACK RCA 1P JE010003MN GND OR	H01-SORA1JE01NN
NJ79	D-LEM TORX-179L	H01-SOTOR179LBA
NS21	CONN-SPE AC OUTLET 2P 220V FE 19MM2 BK 0 0	H01-SOPA20019BK-A
P201	CON 3.96MM PITCH MOLEX 35313-0410	H01-WN04SE00000
P206	CNT PLUG ST 2.5mm 7P 5267-07A	H01-WN07SD00000
P207	CON 3.96MM PITCH HEADER 2 POS MOLEX 35328-0210	H01-WN02SE00000
P208	CON 3.96MM PITCH HEADER 2 POS MOLEX 35328-0210	H01-WN02SE00000

POS	PART NAME	PART NUMBER
Q101	TR-SLPLF MPSA06 N 500MI0A TO-92	H01-TRMPSA06NNA
Q102	TR-SLPLF MPSA06 N 500MI0A TO-92	H01-TRMPSA06NNA
R1	RCF 15K0 OHM +5% 250MI0W	RC3DI0153IN
R101	RA 3M3 OHM +10% 500MI0W	H01-RA4EG0335LN
R102	RCF 4R7 OHM +5% 250MI0W	RC3DI047AIN
R103	RCF 4R7 OHM +5% 250MI0W	RC3DI047AIN
R104	RMOF 39R0 OHM +5% 2.0W	RM3GC0390CN
R105	RCF 10K0 OHM +5% 250MI0W	RC3DI0103IN
R106	RCF 5K6 OHM +5% 250MI0W	RC3DI0562IN
R107	RCF 2K7 OHM +5% 250MI0W	RC3DI0272IN
R109	RCF 1K0 OHM +5% 250MI0W	RC3DI0102IN
R110	RCF 100K0 OHM +5% 250MI0W	RC3DI0104IN
R111	RCF 10K0 OHM +5% 250MI0W	RC3DI0103IN
R114	RCF 1K0 OHM +5% 250MI0W	RC3DI0102IN
R301	RCF 1K0 OHM +5% 250MI0W	RC3DI0102IN
R701	RMGCFMIC 1K0 OHM +5% 62MI5W	RS3AD0102NA
SK11	RELAYPWR 12.0V 270.0OHM 10.0A	H01-RLL1227111K
TP11	TF-LAM ST/BY-TRANSFORMER AVR630EU 230V	H01-TXPWMSD02A0
W700	WIRECONASY UNIQUE 1P 300MM UL1007 PVC DISCRETE 22 2	H01-WG01S083000

POS	PART NAME	PART NUMBER
BK50	BKT GROUND	H01-ZMC12S16A00-A
C100	CE 220U0F +20% 10.0V 85C	CEHEC0227NN-A
C101	CE 10U0F +20% 16.0V 85C 5X11	CEHFC0106NN
C102	CE 220U0F +20% 10.0V 85C	CEHEC0227NN-A
C103	CE 220U0F +20% 10.0V 85C	CEHEC0227NN-A
C104	CE 10U0F +20% 16.0V 85C 5X11	CEHFC0106NN
C105	CE 220U0F +20% 10.0V 85C	CEHEC0227NN-A
C106	CE 220U0F +20% 10.0V 85C	CEHEC0227NN-A
C107	CE 10U0F +20% 16.0V 85C 5X11	CEHFC0106NN
C108	CE 220U0F +20% 10.0V 85C	CEHEC0227NN-A
C109	CE 220U0F +20% 10.0V 85C	CEHEC0227NN-A
C110	CE 10U0F +20% 16.0V 85C 5X11	CEHFC0106NN
C111	CE 220U0F +20% 10.0V 85C	CEHEC0227NN-A
C112	CCCFMIC 100P0F +5% -5% 50.0V NP0 0603	CZJII0101BE
C113	CCCFMIC 100P0F +5% -5% 50.0V NP0 0603	CZJII0101BE
C114	CCCFMIC 100P0F +5% -5% 50.0V NP0 0603	CZJII0101BE
C115	CE 47U0F +20% 16.0V 85C	CEHFC0476NN
C116	CE 10U0F +20% 16.0V 85C 5X11	CEHFC0106NN
C117	CE 47U0F +20% 16.0V 85C	CEHFC0476NN
C118	CCCFMIC 100P0F +5% -5% 50.0V NP0 0603	CZJII0101BE
C119	CCCFMIC 100P0F +5% -5% 50.0V NP0 0603	CZJII0101BE
C120	CCCFMIC 100P0F +5% -5% 50.0V NP0 0603	CZJII0101BE
C121	CE 10U0F +20% 16.0V 85C 5X11	CEHFC0106NN
C122	CE 10U0F +20% 16.0V 85C 5X11	CEHFC0106NN
C123	CCCFMIC 180P0F +5% -5% 50.0V NP0	CZJII0181BE
C124	CCCFMIC 330P0F +5% -5% 50.0V NP0	CZJII0331BE
C125	CCCFMIC 100P0F +5% -5% 50.0V NP0 0603	CZJII0101BE
C126	CCCFMIC 100P0F +5% -5% 50.0V NP0 0603	CZJII0101BE
C128	CE 1U0F +20% 50.0V 5X11 85C	CEHIC0105NN
C130	CE 470U0F +20% 10.0V 6.3X11 85C	CEHEC0477MN-A
C131	CE 470U0F +20% 10.0V 6.3X11 85C	CEHEC0477MN-A
C132	CE 470U0F +20% 10.0V 6.3X11 85C	CEHEC0477MN-A
C133	CE 470U0F +20% 10.0V 6.3X11 85C	CEHEC0477MN-A
C134	CE 470U0F +20% 10.0V 6.3X11 85C	CEHEC0477MN-A
C135	CE 470U0F +20% 10.0V 6.3X11 85C	CEHEC0477MN-A
C136	CE 220U0F +20% 10.0V 85C	CEHEC0227NN-A
C137	CE 10U0F +20% 16.0V 85C 5X11	CEHFC0106NN
C138	CE 220U0F +20% 10.0V 85C	CEHEC0227NN-A
C139	CE 220U0F +20% 10.0V 85C	CEHEC0227NN-A
C140	CE 220U0F +20% 10.0V 85C	CEHEC0227NN-A
C141	CE 47U0F +20% 16.0V 85C	CEHFC0476NN
C142	CC 39P0F +5% -5% 50.0V NP0	CCJIC0390NE
C143	CC 39P0F +5% -5% 50.0V NP0	CCJIC0390NE
C144	CPF 22N0F +10% 50.0V	CPIIC0223NN
C145	CE 470U0F +20% 10.0V 6.3X11 85C	CEHEC0477MN-A
C146	CE 470U0F +20% 10.0V 6.3X11 85C	CEHEC0477MN-A
C147	CE 470U0F +20% 10.0V 6.3X11 85C	CEHEC0477MN-A
C148	CCCFMIC 100N0F +80% -20% 16.0V Y5V	CZZFI0104BF
C149	CE 470U0F +20% 10.0V 6.3X11 85C	CEHEC0477MN-A
C150	CCCFMIC 100N0F +80% -20% 16.0V Y5V	CZZFI0104BF
C151	CE 100U0F +20% 16.0V 85C	CEHFC0107NN
C152	CE 220U0F +20% 10.0V 85C	CEHEC0227NN-A
C153	CE 47U0F +20% 16.0V 85C	CEHFC0476NN
C154	CCCFMIC 100N0F +80% -20% 16.0V Y5V	CZZFI0104BF
C155	CCCFMIC 100P0F +5% -5% 50.0V NP0 0603	CZJII0101BE
C156	CCCFMIC 100P0F +5% -5% 50.0V NP0 0603	CZJII0101BE
C157	CCCFMIC 100P0F +5% -5% 50.0V NP0 0603	CZJII0101BE
C158	CCCFMIC 100P0F +5% -5% 50.0V NP0 0603	CZJII0101BE
C159	CCCFMIC 100P0F +5% -5% 50.0V NP0 0603	CZJII0101BE

POS	PART NAME	PART NUMBER
C160	CCCFMIC 100P0F +5% -5% 50.0V NP0 0603	CZJII0101BE
C161	CE 47U0F +20% 16.0V 85C	CEHFC0476NN
C162	CCCFMIC 100N0F +80% -20% 16.0V Y5V	CZZFI0104BF
C163	CCCFMIC 10P0F +0P5F -0P5F 50.0V NP0	CZEII0100BE
C164	CE 1U0F +20% 50.0V 5X11 85C	CEHIC0105NN
C165	CAP ELEC 0.33UF M 5X11 SHL SAMYOUNG	H01-CEMIC0334AH
C167	CE 1U0F +20% 50.0V 5X11 85C	CEHIC0105NN
C168	CPF 6N8F +10% 50.0V	CPIIC0682NN
C169	CE 1U0F +20% 50.0V 5X11 85C	CEHIC0105NN
C170	CCCFMIC 560P0F +10% -10% 50.0V X7R	CZKII0561BC
C171	CC 39P0F +5% -5% 50.0V NP0	CCJIC0390NE
C172	CE 100U0F +20% 10.0V 5X11 85C	CEHEC0107NN
C173	CCCFMIC 10N0F +10% -10% 50.0V X7R	CZKII0103BC
C174	CC 39P0F +5% -5% 50.0V NP0	CCJIC0390NE
C175	CCCFMIC 27P0F +5% -5% 50.0V NP0	CZJII0270BE
C176	CE 470N0F +20% 50.0V 85C 5X11	CEHIC0474NN
C177	CCCFMIC 33P0F +5% -5% 50.0V NP0	CZJII0330BE
C178	CCCFMIC 100P0F +5% -5% 50.0V NP0 0603	CZJII0101BE
C180	CCCFMIC 100P0F +5% -5% 50.0V NP0 0603	CZJII0101BE
C181	CCCFMIC 10N0F +10% -10% 50.0V X7R	CZKII0103BC
C183	CC 10N0F +10% -10% 50.0V Y5P	CCKIC0103NA
C184	CE 2U2F +20% 50.0V 85C 5X11	CEHIC02255N
C185	CE 10U0F +20% 50.0V 85C	CEHIC0106NN
C186	CE 100U0F +20% 10.0V 5X11 85C	CEHEC0107NN
C187	CCCFMIC 10N0F +10% -10% 50.0V X7R	CZKII0103BC
C188	CE 100U0F +20% 16.0V 85C	CEHFC0107NN
C189	CCCFMIC 100N0F +80% -20% 16.0V Y5V	CZZFI0104BF
C190	CE 100U0F +20% 16.0V 85C	CEHFC0107NN
C191	CCCFMIC 100N0F +80% -20% 16.0V Y5V	CZZFI0104BF
C192	CE 100U0F +20% 16.0V 85C	CEHFC0107NN
C193	CCCFMIC 100N0F +80% -20% 16.0V Y5V	CZZFI0104BF
C194	CE 100U0F +20% 16.0V 85C	CEHFC0107NN
C195	CCCFMIC 100N0F +80% -20% 16.0V Y5V	CZZFI0104BF
C196	CE 100U0F +20% 10.0V 5X11 85C	CEHEC0107NN
C197	CCCFMIC 10N0F +10% -10% 50.0V X7R	CZKII0103BC
C198	CE 10U0F +20% 50.0V 85C	CEHIC0106NN
C199	CE 220U0F +20% 10.0V 85C	CEHEC0227NN-A
C200	CCCFMIC 330P0F +5% -5% 50.0V NP0	CZJII0331BE
C201	CE 2U2F +20% 50.0V 85C 5X11	CEHIC02255N
C202	CC 22N0F +10% -10% 50.0V Z5R	CCKIC0223NN
C203	CE 220U0F +20% 10.0V 85C	CEHEC0227NN-A
C204	CE 10U0F +20% 16.0V 85C 5X11	CEHFC0106NN
C205	CE 220U0F +20% 10.0V 85C	CEHEC0227NN-A
C206	CE 10U0F +20% 16.0V 85C 5X11	CEHFC0106NN
C207	CCCFMIC 100P0F +5% -5% 50.0V NP0 0603	CZJII0101BE
C213	CE 10U0F +20% 16.0V 85C 5X11	CEHFC0106NN
C248	CCCFMIC 100N0F +80% -20% 16.0V Y5V	CZZFI0104BF
C289	CE 220U0F +20% 10.0V 85C	CEHEC0227NN-A
C291	CE 100U0F +20% 16.0V 85C	CEHFC0107NN
C292	CCCFMIC 100N0F +80% -20% 16.0V Y5V	CZZFI0104BF
C293	CE 100U0F +20% 16.0V 85C	CEHFC0107NN
C294	CCCFMIC 100N0F +80% -20% 16.0V Y5V	CZZFI0104BF
C295	CE 220U0F +20% 10.0V 85C	CEHEC0227NN-A
C311	CCCFMIC 100N0F +80% -20% 16.0V Y5V	CZZFI0104BF
C313	CE 47U0F +20% 16.0V 85C	CEHFC0476NN
C401	CCCFMIC 100N0F +80% -20% 16.0V Y5V	CZZFI0104BF
C501	CE 100U0F +20% 6.3V 85C 5X11	CEHDC0107NN
C502	CCCFMIC 100N0F +80% -20% 16.0V Y5V	CZZFI0104BF
C503	CE 1U0F +20% 100.0V 85C	CEHKC0105MN

POS	PART NAME	PART NUMBER
C504	CE 1U0F +20% 100.0V 85C	CEHKC0105MN
C505	CE 1U0F +20% 100.0V 85C	CEHKC0105MN
C506	CE 1U0F +20% 100.0V 85C	CEHKC0105MN
C507	CE 1U0F +20% 100.0V 85C	CEHKC0105MN
C508	CCCFMIC 100N0F +80% -20% 16.0V Y5V	CZZFI0104BF
C509	CCCFMIC 100N0F +80% -20% 16.0V Y5V	CZZFI0104BF
C801	CCCFMIC 100N0F +80% -20% 16.0V Y5V	CZZFI0104BF
C802	CC 2N2F +10% -10% 50.0V Y5P	CCKIC0222NA
C803	CC 2N2F +10% -10% 50.0V Y5P	CCKIC0222NA
C804	CCCFMIC 100N0F +80% -20% 16.0V Y5V	CZZFI0104BF
C901	CE 10U0F 16.0V 5X11 P2.5MM	CEHFC0106MN
C902	CE 10U0F 16.0V 5X11 P2.5MM	CEHFC0106MN
C903	CE 10U0F 16.0V 5X11 P2.5MM	CEHFC0106MN
C904	CE 10U0F 16.0V 5X11 P2.5MM	CEHFC0106MN
C905	CE 10U0F 16.0V 5X11 P2.5MM	CEHFC0106MN
C906	CE 10U0F 16.0V 5X11 P2.5MM	CEHFC0106MN
C907	CE 10U0F 16.0V 5X11 P2.5MM	CEHFC0106MN
C908	CE 10U0F 16.0V 5X11 P2.5MM	CEHFC0106MN
C909	CAP ELEC 100U0F 16.0V M 5X11 P2.5MM	CEHFC0107MN
C910	CAP ELEC 100U0F 16.0V M 5X11 P2.5MM	CEHFC0107MN
C911	CCCFMIC 100N0F +80% -20% 16.0V Y5V	CZZFI0104BF
C912	CCCFMIC 100N0F +80% -20% 16.0V Y5V	CZZFI0104BF
C913	CCCFMIC 100N0F +80% -20% 16.0V Y5V	CZZFI0104BF
C914	CCCFMIC 100N0F +80% -20% 16.0V Y5V	CZZFI0104BF
C915	CCCFMIC 100N0F +80% -20% 16.0V Y5V	CZZFI0104BF
C916	CCCFMIC 100N0F +80% -20% 16.0V Y5V	CZZFI0104BF
C917	CCCFMIC 100N0F +80% -20% 16.0V Y5V	CZZFI0104BF
C918	CCCFMIC 100N0F +80% -20% 16.0V Y5V	CZZFI0104BF
C921	CCCFMIC 100P0F +5% -5% 50.0V NP0 0603	CZJII0101BE
C922	CCCFMIC 100P0F +5% -5% 50.0V NP0 0603	CZJII0101BE
C923	CCCFMIC 100P0F +5% -5% 50.0V NP0 0603	CZJII0101BE
C924	CCCFMIC 100P0F +5% -5% 50.0V NP0 0603	CZJII0101BE
C925	CCCFMIC 100P0F +5% -5% 50.0V NP0 0603	CZJII0101BE
C926	CCCFMIC 100P0F +5% -5% 50.0V NP0 0603	CZJII0101BE
C927	CCCFMIC 100P0F +5% -5% 50.0V NP0 0603	CZJII0101BE
C928	CCCFMIC 100P0F +5% -5% 50.0V NP0 0603	CZJII0101BE
CF0349	CC 2N2F +10% -10% 50.0V Y5P	CCKIC0222NA
D101	D-SLP 1SS355 35.0V 225MIOA	H01-DS1S50094NB-A
D102	D-SLP 1N4148 100.0V 150E-3A	H01-DG1N04148NB
D104	D-SLP 1N4148 100.0V 150E-3A	H01-DG1N04148NB
D106	D-SLP 1SS355 35.0V 225MIOA	H01-DS1S50094NB-A
D107	D-SLP 1SS355 35.0V 225MIOA	H01-DS1S50094NB-A
D108	D-ZENER 1N5239B 9.1V 500MIOW	H01-DZ1N5239BNB-A
D109	D-SLP 1SS355 35.0V 225MIOA	H01-DS1S50094NB-A
D110	D-SLP 1SS355 35.0V 225MIOA	H01-DS1S50094NB-A
D400	D-SLP 1N4148 100.0V 150E-3A	H01-DG1N04148NB
D501	D-SLP 1SS355 35.0V 225MIOA	H01-DS1S50094NB-A
D502	D-SLP 1SS355 35.0V 225MIOA	H01-DS1S50094NB-A
D503	D-SLP 1SS355 35.0V 225MIOA	H01-DS1S50094NB-A
D504	D-SLP 1SS355 35.0V 225MIOA	H01-DS1S50094NB-A
D505	D-SLP 1SS355 35.0V 225MIOA	H01-DS1S50094NB-A
D506	D-SLP 1SS355 35.0V 225MIOA	H01-DS1S50094NB-A
D507	D-SLP 1SS355 35.0V 225MIOA	H01-DS1S50094NB-A
D801	D-SLP 1SS355 35.0V 225MIOA	H01-DS1S50094NB-A
D802	D-SLP 1SS355 35.0V 225MIOA	H01-DS1S50094NB-A
IC10	IC-LINEAR NJM2296	H01-ICNJM2296D3
IC11	IC-LINEAR NJM2296	H01-ICNJM2296D3
IC12	IC-LINEAR NJM2296	H01-ICNJM2296D3
IC13	IC-VIDEOPROC MM1505XNRE AMPLIFIER&DRIVER	H01-ICMM1505XDL

POS	PART NAME	PART NUMBER
IC14	IC-VIDEO SW MM1501XNRE SOT-26B	H01-ICMM1501XDL-A
IC15	IC-VIDEOPROC MM1505XNRE AMPLIFIER&DRIVER	H01-ICMM1505XDL
IC16	IC BU4053BCF SOP16 ANALOG MPX/DEMPX	H01-ICBU4053BB4
IC17	IC-VIDEOPROC TSH95ID VIDEO AMPLIFIER	H01-ICTSH95IDB4
IC18	IC KIA7806AP VOLTQAGE REGULATOR TO-220AB	H01-ICKIA7806I2
IC19	IC CMOS BU4094BF SOP16	H01-ICBU4094BD3
IC20	IC CMOS BU4094BF SOP16	H01-ICBU4094BD3
IC22	IC OSD LC74763M SOP30	H01-ICLC74763I4
IC23	IC-VIDEOPROC MM1505XNRE AMPLIFIER&DRIVER	H01-ICMM1505XDL
IC25	IC-VIDEO SW MM1501XNRE SOT-26B	H01-ICMM1501XDL-A
IC26	IC-VIDEO SW MM1501XNRE SOT-26B	H01-ICMM1501XDL-A
IC27	IC-VIDEO SW MM1511XNRE SOT-26B	H01-ICMM1511XDL
IC40	IC PHOTOCOUPLER PC-17T1 DIP4 KODENSHI	H01-ICPC17T10B1
IC50	IC-SPECFUNC UPD4721 DRIVERS/RECEIVERS CMOS RS-232C	H01-ICUPD4721D8
IC51	IC PHOTOCOUPLER PC-17T1 DIP4 KODENSHI	H01-ICPC17T10B1
IC52	IC PHOTOCOUPLER PC-17T1 DIP4 KODENSHI	H01-ICPC17T10B1
IC901	IC-OPERAMP NJM2068M DUAL SOP8	H01-ICLM02068D2-A
IC902	IC-OPERAMP NJM2068M DUAL SOP8	H01-ICLM02068D2-A
IC903	IC-OPERAMP NJM2068M DUAL SOP8	H01-ICLM02068D2-A
IC904	IC-OPERAMP NJM2068M DUAL SOP8	H01-ICLM02068D2-A
J101	RMGCFMIC 0 OHM +0% 62MI5W	RS3AD0000NA
J104	RMGCFMIC 0 OHM +0% 62MI5W	RS3AD0000NA
J105	RMGCFMIC 0 OHM +0% 62MI5W	RS3AD0000NA
J106	RMGCFMIC 0 OHM +0% 62MI5W	RS3AD0000NA
J108	RMGCFMIC 0 OHM +0% 62MI5W	RS3AD0000NA
J125	RMGCFMIC 0 OHM +0% 62MI5W	RS3AD0000NA
J126	RMGCFMIC 0 OHM +0% 62MI5W	RS3AD0000NA
J128	RMGCFMIC 0 OHM +0% 62MI5W	RS3AD0000NA
J132	RMGCFMIC 0 OHM +0% 62MI5W	RS3AD0000NA
J135	RMGCFMIC 0 OHM +0% 62MI5W	RS3AD0000NA
J138	RMGCFMIC 0 OHM +0% 62MI5W	RS3AD0000NA
J139	RMGCFMIC 0 OHM +0% 62MI5W	RS3AD0000NA
J158	RMGCFMIC 0 OHM +0% 62MI5W	RS3AD0000NA
J170	RMGCFMIC 0 OHM +0% 62MI5W	RS3AD0000NA
J184	RMGCFMIC 0 OHM +0% 62MI5W	RS3AD0000NA
J234	RMGCFMIC 0 OHM +0% 62MI5W	RS3AD0000NA
J257	RMGCFMIC 0 OHM +0% 62MI5W	RS3AD0000NA
J308	RMGCFMIC 0 OHM +0% 62MI5W	RS3AD0000NA
J309	RMGCFMIC 0 OHM +0% 62MI5W	RS3AD0000NA
J310	RMGCFMIC 0 OHM +0% 62MI5W	RS3AD0000NA
J315	RMGCFMIC 0 OHM +0% 62MI5W	RS3AD0000NA
J316	RMGCFMIC 0 OHM +0% 62MI5W	RS3AD0000NA
J317	RMGCFMIC 0 OHM +0% 62MI5W	RS3AD0000NA
J911	RMGCFMIC 0 OHM +0% 62MI5W	RS3AD0000NA
J912	RMGCFMIC 0 OHM +0% 62MI5W	RS3AD0000NA
J913	RMGCFMIC 0 OHM +0% 62MI5W	RS3AD0000NA
J914	RMGCFMIC 0 OHM +0% 62MI5W	RS3AD0000NA
J915	RMGCFMIC 0 OHM +0% 62MI5W	RS3AD0000NA
J916	RMGCFMIC 0 OHM +0% 62MI5W	RS3AD0000NA
J921	RMGCFMIC 0 OHM +0% 62MI5W	RS3AD0000NA
J922	RMGCFMIC 0 OHM +0% 62MI5W	RS3AD0000NA
J923	RMGCFMIC 0 OHM +0% 62MI5W	RS3AD0000NA
J924	RMGCFMIC 0 OHM +0% 62MI5W	RS3AD0000NA
J925	RMGCFMIC 0 OHM +0% 62MI5W	RS3AD0000NA
J926	RMGCFMIC 0 OHM +0% 62MI5W	RS3AD0000NA
J927	RMGCFMIC 0 OHM +0% 62MI5W	RS3AD0000NA
J928	RMGCFMIC 0 OHM +0% 62MI5W	RS3AD0000NA
JR157	RMGCFMIC 0 OHM +0% 62MI5W	RS3AD0000NA
L100	BEAD AXIAL/TAP,HC3580 80.5ohm	H01-FB05B3580NN

POS	PART NAME	PART NUMBER
L101	BEAD AXIAL/TAP,HC3580 80.5ohm	H01-FB05B3580NN
L102	BEAD AXIAL/TAP,HC3580 80.5ohm	H01-FB05B3580NN
L104	LF 47U0H +10% 5.8 OHM 500MIOA	H01-LAINB0470CR
L105	LF 47U0H +10% 5.8 OHM 500MIOA	H01-LAINB0470CR
L106	LF 47U0H +10% 5.8 OHM 500MIOA	H01-LAINB0470CR
L107	LF 5U60H +10% 5.8 OHM 500MIOA	H01-LAINB056ACR
L108	LF 47U0H +10% 5.8 OHM 500MIOA	H01-LAINB0470CR
L109	BEAD AXIAL/TAP,HC3580 80.5ohm	H01-FB05B3580NN
L110	LF 47U0H +10% 5.8 OHM 500MIOA	H01-LAINB0470CR
L501	FBEAD SURFACE MT 2500OHM FCM2012H-252T02	H01-FB2K52012NN
L502	FBEAD SURFACE MT 2500OHM FCM2012H-252T02	H01-FB2K52012NN
L503	FBEAD SURFACE MT 2500OHM FCM2012H-252T02	H01-FB2K52012NN
L504	FBEAD SURFACE MT 2500OHM FCM2012H-252T02	H01-FB2K52012NN
L801	LF 47U0H +10% 5.8 OHM 500MIOA	H01-LAINB0470CR
N602	CONN 2.0MM 19 MA R NAT SOCKET MOLEX 35237-1910 0 0	H01-WN19AB00000
N800	CNT ASSY 2.0MM 4P 590MM SHIELD 26AWG UL2547 1/3	H01-WS4265913FN
N902	CONN 2.0MM 17 MA R NAT SOCKET MOLEX 35237-1710 0 0	H01-WN17AB00000
NJ50	JACK D-SUB 9P 87204-6063 W/DUST COVER BK	SOPA96063NN
NJ51	JACK PHONE 3.6 EP-1401A 1P BK	H01-SOJW2350SNN-A
NJ52	JACK PHONE 3.6 EP-1401A 1P BK	H01-SOJW2350SNN-A
NJ53	JACK PHONE 3.6 EP-1401A 1P BK	H01-SOJW2350SNN-A
NJ81	JACK PHONE 6.35 H70980110S 9P BK	H01-SOSS9CKX3NN
NJ91	JACK RCA 9P JB090148TN GND CAP RDX3,BUX3,GNX3	H01-SORA90GNDNN
NJ92	JACK RCA+S VIDEO C5016031DN	H01-SORA11Y00NN
NJ93	JACK RCA+S VIDEO C5016031DN	H01-SORA11Y00NN
NJ94	JACK RCA+S VIDEO C5016031DN	H01-SORA11Y00NN
NJ95	JACK RCA+S VIDEO C5016031DN	H01-SORA11Y00NN
NJ96	JACK RCA+S VIDEO C5016031DN	H01-SORA11Y00NN
NJ97	JACK RCA+S VIDEO C5016031DN	H01-SORA11Y00NN
NJ98	JACK RCA+S VIDEO C5016031DN	H01-SORA11Y00NN
P500	CONN 2.0MM 6 MA ST NAT GT201-6P-TS	H01-WN06SB00000
P601	CONN 1.25MM 19 FE ANG WH GF120-19S-LS 2794 A6	H01-WN19AI00000
P602	CONN 2.0MM 19 MA ST NAT MOLEX 35336-1910 0 0	H01-WN19SB00000
P603	CONN 2.0MM 19 MA ST NAT MOLEX 35336-1910 0 0	H01-WN19SB00000
P604	CNT PLUG BD'BD PLUG 2.0mm 35336-0610 6P	H01-WN06SB01000
P605	CONN 2.0MM 6 MA R NAT GT201-6P-LS	H01-WN06AB00000
P901	CONN 2.0MM 17 MA ST NAT MOLEX 35336-1710 0 0	H01-WN17SB00000
Q100	TR-SLPLF 2SC1740S R N 150MIOA 50V	H01-TR2SC1740NW
Q101	TR-SLPLF 2SA933ASR P -3.0A -20V	H01-TR2SA933ANW
Q102	TR-SSD DTA114YKA P 10K0 OHM 47K0 OHM	H01-TRDTA114YNI
Q103	TR-SSD DTA114YKA P 10K0 OHM 47K0 OHM	H01-TRDTA114YNI
Q104	TR-SLPLF 2SA933ASR P -3.0A -20V	H01-TR2SA933ANW
Q105	TR-SSD DTC114YKA N 10K0 OHM 47K0 OHM	H01-TRDTC114YNI
Q106	TR-SSD DTC114YKA N 10K0 OHM 47K0 OHM	H01-TRDTC114YNI
Q107	TR-SLPLF DTC114YSA N 100MIOA	H01-TRDTC114YNW
Q110	TR-SLPLF DTC114YSA N 100MIOA	H01-TRDTC114YNW
Q111	TR-SLPLF 2SA933ASR P -3.0A -20V	H01-TR2SA933ANW
Q112	TR-SLPLF 2SC1740S R N 150MIOA 50V	H01-TR2SC1740NW
Q113	TR-SSD DTC114YKA N 10K0 OHM 47K0 OHM	H01-TRDTC114YNI
Q114	TR-SLPLF 2SC1740S R N 150MIOA 50V	H01-TR2SC1740NW
Q400	TR-SLPSWA KRA107M P	H01-TRKTA107MNA
Q501	TR-SLPSWA KRA107M P	H01-TRKTA107MNA
Q502	TR-SLPSWA KRA107M P	H01-TRKTA107MNA
R100	RMGCFMIC 75R0 OHM +5% 62MI5W	RS3AD0750NA
R101	RMGCFMIC 68R0 OHM +5% 62MI5W	RS3AD0680NA
R102	RMGCFMIC 75R0 OHM +5% 62MI5W	RS3AD0750NA
R103	RMGCFMIC 75R0 OHM +5% 62MI5W	RS3AD0750NA
R104	RMGCFMIC 68R0 OHM +5% 62MI5W	RS3AD0680NA
R105	RMGCFMIC 75R0 OHM +5% 62MI5W	RS3AD0750NA

POS	PART NAME	PART NUMBER
R106	RMGCFMIC 75R0 OHM +5% 62MI5W	RS3AD0750NA
R107	RMGCFMIC 68R0 OHM +5% 62MI5W	RS3AD0680NA
R108	RMGCFMIC 75R0 OHM +5% 62MI5W	RS3AD0750NA
R109	RMGCFMIC 75R0 OHM +5% 62MI5W	RS3AD0750NA
R110	RMGCFMIC 68R0 OHM +5% 62MI5W	RS3AD0680NA
R111	RMGCFMIC 75R0 OHM +5% 62MI5W	RS3AD0750NA
R112	RMGCFMIC 10K0 OHM +5% 62MI5W	RS3AD0103NA
R113	RMGCFMIC 10K0 OHM +5% 62MI5W	RS3AD0103NA
R114	RMGCFMIC 10K0 OHM +5% 62MI5W	RS3AD0103NA
R115	RMGCFMIC 75R0 OHM +5% 62MI5W	RS3AD0750NA
R116	RMGCFMIC 68R0 OHM +5% 62MI5W	RS3AD0680NA
R117	RMGCFMIC 75R0 OHM +5% 62MI5W	RS3AD0750NA
R118	RMGCFMIC 10K0 OHM +5% 62MI5W	RS3AD0103NA
R119	RMGCFMIC 10K0 OHM +5% 62MI5W	RS3AD0103NA
R120	RMGCFMIC 10K0 OHM +5% 62MI5W	RS3AD0103NA
R121	RMGCFMIC 75R0 OHM +5% 62MI5W	RS3AD0750NA
R122	RMGCFMIC 68R0 OHM +5% 62MI5W	RS3AD0680NA
R123	RMGCFMIC 75R0 OHM +5% 62MI5W	RS3AD0750NA
R124	RMGCFMIC 10K0 OHM +5% 62MI5W	RS3AD0103NA
R125	RMGCFMIC 10K0 OHM +5% 62MI5W	RS3AD0103NA
R126	RMGCFMIC 10K0 OHM +5% 62MI5W	RS3AD0103NA
R127	RMGCFMIC 68R0 OHM +5% 62MI5W	RS3AD0680NA
R128	RMGCFMIC 68R0 OHM +5% 62MI5W	RS3AD0680NA
R129	RMGCFMIC 68R0 OHM +5% 62MI5W	RS3AD0680NA
R130	RMGCFMIC 1K0 OHM +5% 62MI5W	RS3AD0102NA
R131	RCF 1K0 OHM +5% 250MIOW	RC3DI0102IN
R132	RCF 1K0 OHM +5% 250MIOW	RC3DI0102IN
R133	RCF 1K0 OHM +5% 250MIOW	RC3DI0102IN
R134	RCF 1K0 OHM +5% 250MIOW	RC3DI0102IN
R135	RCF 1K0 OHM +5% 250MIOW	RC3DI0102IN
R136	RMGCFMIC 330R0 OHM +5% 62MI5W	RS3AD0331NA-A
R137	RMGCFMIC 162R0 OHM +1% 62MI5W	RS1AD1620NA
R138	RMGCFMIC 330R0 OHM +5% 62MI5W	RS3AD0331NA-A
R139	RMGCFMIC 22K0 OHM +5% 62MI5W	RS3AD0223NA
R140	RMGCFMIC 22K0 OHM +5% 62MI5W	RS3AD0223NA
R141	RMGCFMIC 22K0 OHM +5% 62MI5W	RS3AD0223NA
R142	RMGCFMIC 10K0 OHM +5% 62MI5W	RS3AD0103NA
R143	RMGCFMIC 10K0 OHM +5% 62MI5W	RS3AD0103NA
R144	RMGCFMIC 10K0 OHM +5% 62MI5W	RS3AD0103NA
R145	RMGCFMIC 10K0 OHM +5% 62MI5W	RS3AD0103NA
R146	RMGCFMIC 12K0 OHM +5% 62MI5W	RS3AD0123NA
R147	RMGCFMIC 12K0 OHM +5% 62MI5W	RS3AD0123NA
R148	RMGCFMIC 1K0 OHM +5% 62MI5W	RS3AD0102NA
R149	RMGCFMIC 1K0 OHM +5% 62MI5W	RS3AD0102NA
R150	RMGCFMIC 120R0 OHM +5% 62MI5W	RS3AD0121NA-A
R151	RMGCFMIC 6K8 OHM +5% 62MI5W	RS3AD0682NA
R152	RMGCFMIC 1K5 OHM +5% 62MI5W	RS3AD0152NA-A
R153	RES CHIP 1M 1/16W +-5% 0603	RS3AD0105NA
R154	RMGCFMIC 120R0 OHM +5% 62MI5W	RS3AD0121NA-A
R155	RES CHIP 1M 1/16W +-5% 0603	RS3AD0105NA
R156	RMGCFMIC 120R0 OHM +5% 62MI5W	RS3AD0121NA-A
R159	RMGCFMIC 10K0 OHM +5% 62MI5W	RS3AD0103NA
R160	RCF 10K0 OHM +5% 250MIOW	RC3DI0103IN
R161	RCF 1K0 OHM +5% 250MIOW	RC3DI0102IN
R162	RCF 1K0 OHM +5% 250MIOW	RC3DI0102IN
R163	RCF 1K0 OHM +5% 250MIOW	RC3DI0102IN
R165	RMGCFMIC 10K0 OHM +5% 62MI5W	RS3AD0103NA
R166	RMGCFMIC 33K0 OHM +5% 62MI5W	RS3AD0333NA
R167	RMGCFMIC 2K2 OHM +5% 62MI5W	RS3AD0222NA

POS	PART NAME	PART NUMBER
R168	RMGCFMIC 68R0 OHM +5% 62MI5W	RS3AD0680NA
R169	RMGCFMIC 8K2 OHM +5% 62MI5W	RS3AD0822NA
R171	RMGCFMIC 150K0 OHM +5% 62MI5W	RS3AD0154NA
R172	RMGCFMIC 33K0 OHM +5% 62MI5W	RS3AD0333NA
R173	RMGCFMIC 2K2 OHM +5% 62MI5W	RS3AD0222NA
R174	RMGCFMIC 68R0 OHM +5% 62MI5W	RS3AD0680NA
R175	RMGCFMIC 10K0 OHM +5% 62MI5W	RS3AD0103NA
R176	RMGCFMIC 1K0 OHM +5% 62MI5W	RS3AD0102NA
R177	RMGCFMIC 33R0 OHM +5% 62MI5W	RS3AD0330NA
R178	RMGCFMIC 330R0 OHM +5% 62MI5W	RS3AD0331NA-A
R180	RMGCFMIC 510R0 OHM +5% 62MI5W	RS3AD0511NA
R181	RMGCFMIC 330R0 OHM +5% 62MI5W	RS3AD0331NA-A
R182	RMGCFMIC 75R0 OHM +5% 62MI5W	RS3AD0750NA
R183	RMGCFMIC 1K0 OHM +5% 62MI5W	RS3AD0102NA
R185	RMGCFMIC 82R0 OHM +5% 62MI5W	RS3AD0820NA
R186	RMGCFMIC 120K0 OHM +5% 62MI5W	RS3AD0124NA
R187	RMGCFMIC 220K0 OHM +5% 62MI5W	RS3AD0224NA
R188	RMGCFMIC 10K0 OHM +5% 62MI5W	RS3AD0103NA
R189	RMGCFMIC 3K9 OHM +5% 62MI5W	RS3AD0392NA
R190	RMGCFMIC 100R0 OHM +5% 62MI5W	RS3AD0101NA
R192	RMGCFMIC 24K0 OHM +5% 62MI5W	RS3AD0243NA
R193	RMGCFMIC 2K7 OHM +5% 62MI5W	RS3AD0272NA
R197	RMGCFMIC 51K0 OHM +5% 62MI5W	RS3AD0513NA
R198	RMGCFMIC 150K0 OHM +5% 62MI5W	RS3AD0154NA
R199	RMGCFMIC 10K0 OHM +5% 62MI5W	RS3AD0103NA
R200	RMGCFMIC 270R0 OHM +5% 62MI5W	RS3AD0271NA
R201	RMGCFMIC 43R0 OHM +5% 62MI5W	RS3AD0430NA
R202	RMGCFMIC 1K5 OHM +5% 62MI5W	RS3AD0152NA-A
R203	RCF 470R0 OHM +5% 250MI0W	RC3DI0471IN
R204	RCF 120R0 OHM +5% 250MI0W	RC3DI0121IN
R206	RMGCFMIC 10K0 OHM +5% 62MI5W	RS3AD0103NA
R207	RMGCFMIC 10K0 OHM +5% 62MI5W	RS3AD0103NA
R208	RMGCFMIC 10K0 OHM +5% 62MI5W	RS3AD0103NA
R405	RMGCFMIC 47K0 OHM +5% 62MI5W	RS3AD0473NA
R406	RMGCFMIC 3K9 OHM +5% 62MI5W	RS3AD0392NA
R407	RCF 470R0 OHM +5% 250MI0W	RC3DI0471IN
R501	RMGCFMIC 4K7 OHM +5% 62MI5W	RS3AD0472NA
R502	RMGCFMIC 4K7 OHM +5% 62MI5W	RS3AD0472NA
R503	RMGCFMIC 470R0 OHM +5% 62MI5W	RS3AD0471NA
R504	RMGCFMIC 3K9 OHM +5% 62MI5W	RS3AD0392NA
R508	RMGCFMIC 47R0 OHM +5% 62MI5W	RS3AD0470NA
R509	RMGCFMIC 47K0 OHM +5% 62MI5W	RS3AD0473NA
R510	RMGCFMIC 100K0 OHM +5% 62MI5W	RS3AD0104NA-A
R511	RMGCFMIC 270R0 OHM +5% 62MI5W	RS3AD0271NA
R512	RMGCFMIC 47R0 OHM +5% 62MI5W	RS3AD0470NA
R513	RMGCFMIC 47K0 OHM +5% 62MI5W	RS3AD0473NA
R801	RCF 2R2 OHM +5% 250MI0W	RC3DI022AIN
R802	RCF 2R2 OHM +5% 250MI0W	RC3DI022AIN
R931	RMGCFMIC 150R0 OHM +5% 62MI5W	RS3AD0151NA
R932	RMGCFMIC 150R0 OHM +5% 62MI5W	RS3AD0151NA
R933	RMGCFMIC 150R0 OHM +5% 62MI5W	RS3AD0151NA
R934	RMGCFMIC 150R0 OHM +5% 62MI5W	RS3AD0151NA
R935	RMGCFMIC 150R0 OHM +5% 62MI5W	RS3AD0151NA
R936	RMGCFMIC 150R0 OHM +5% 62MI5W	RS3AD0151NA
R937	RMGCFMIC 150R0 OHM +5% 62MI5W	RS3AD0151NA
R938	RMGCFMIC 150R0 OHM +5% 62MI5W	RS3AD0151NA
R941	RMGCFMIC 100K0 OHM +5% 62MI5W	RS3AD0104NA-A
R942	RMGCFMIC 100K0 OHM +5% 62MI5W	RS3AD0104NA-A
R943	RMGCFMIC 100K0 OHM +5% 62MI5W	RS3AD0104NA-A

POS	PART NAME	PART NUMBER
R944	RMGCFMIC 100K0 OHM +5% 62MI5W	RS3AD0104NA-A
R945	RMGCFMIC 100K0 OHM +5% 62MI5W	RS3AD0104NA-A
R946	RMGCFMIC 100K0 OHM +5% 62MI5W	RS3AD0104NA-A
R947	RMGCFMIC 100K0 OHM +5% 62MI5W	RS3AD0104NA-A
R948	RMGCFMIC 100K0 OHM +5% 62MI5W	RS3AD0104NA-A
SK11	RELAY D3009(1-1462033-4)	H01-RLL0517811A-A
SK12	RELAY D3009(1-1462033-4)	H01-RLL0517811A-A
W101	WCL 070-05-05 UL1007 HOOK-UP 16 70MM BK 5 5	H01-WC1160705C1
Y100	CRYSTAL 14.31818MHz WOOIN	H01-OSXBE14M3AU
Y101	CRYSTAL 17.734475MHz WOOIN	H01-OSXBE17M7AU

PART NUMBER	PART NAME	PCS
H01-TXPWMMDD02B0-A	MN X'FORMER AVR630EU 230V	1.0000
H01-FBB0102AA00	FCORE FERRIT MAGNET SRH9. 9X20. 0X5. 1+CASE W5	2.0000
H01-SWA2B21PDA&	SW PUSH POWER SDDL15700	1.0000
H01-WF19N2605FU	FFC-JUMPER 19X 1.25MM 260MM	1.0000
H01-WF23N2705FU-A	FFC-JUMPER 23X 1.25MM 270MM	1.0000
H01-WF9262205BN	WIRECONASY DL 2.0MM 9P 220MM UL 1007 RIBBON 26 1	1.0000
H01-WF4261805BN	WIRECONASY DL 2.0MM 4P 180MM UL 1007 RIBBON 26 1	1.0000
H01-ZMB01S00100	BKT HEADPHONE JACK	1.0000
H01-ZMB01S02200	SPRING PLATE GND C5212 0.2T	4.0000
H01-ZMC11HS0100	H/SINK AMP AVR630	1.0000
H01-ZMC11HS0200	H/SINK MAIN AVR630	1.0000
H01-ZMD02S11A00	PANEL REAR AVR630EU	1.0000
H01-ZMC11S00200	AL DOOR AVR430/630	1.0000
ZPC1002GAGY	DOOR AVR430/630	1.0000
H01-ZMC11S00300	AL PANEL AVR430/630	1.0000
ZPD0201GBGY	PANEL FRONT AVR630EU	1.0000
ZPC1003GAGY	BUTTON POWER	1.0000
H01-ZPD0104GASG	BUTTON 7 KEY EU	1.0000
ZPC1005GAGY	BUTTON 8 KEY	1.0000
ZPC1006GAWH	BUTTON STANDBY	1.0000
ZPC1007GAMW	INDICATOR STAND-BY	1.0000
ZPC1016GAMW	KNOB VOLUME AVR630	1.0000
H01-ZMC11S04B00	BKT FRAME GUIDE	2.0000
ZKGEN97HA00	LABEL MAIN POWER REMIND	1.0000
H01-ZMC11S06A00	SPRING STOPPER AVR430/630	1.0000
H01-ZMC11S07A00	CHASSIS FRONT AVR430/630	1.0000
H01-ZMC11S08A00	COVER TOP AVR430/630	1.0000
H01-ZMC11S09A00	BKT FAN FRONT AVR430/630	1.0000
H01-ZMC11S10A00	BKT FAN REAR AVR430/630	1.0000
H01-ZMC11S12A00	CAP BUTTON STAND-BY AVR430/630	1.0000
H01-ZMC11S13A00	CHASSIS MAIN AVR430/630	1.0000
H01-ZMC11S14A00-A	BRACKET DOOR	1.0000
H01-ZMC12S07A00	COVER BOTTOM	1.0000
H01-ZMC12S08B00	BKT TRANS BOTTOM	1.0000
H01-ZMC12S09A00	BKT HEATSINK	6.0000
H01-ZMC12S19A00	BKT AC INLET	2.0000
H01-ZMC12S20A00	BADGE AL HARMAN/KARDON SILVER	1.0000
H01-ZPC1018GART	FILTER VFD	1.0000
H01-ZPC1119GABT-A	WINDOW DISPLAY AVR630	1.0000
H01-ZMGEN00GAGY	AL LOGO BADGE TOP	1.0000
H01-ZVC11FAN100	FAN JF0925S1L	1.0000
H01-ZVC11GEAR01-A	DAMPER GEAR DP120	1.0000
H01-ZVD01TUNE00	TUNER MODULE KST-MB114MW1-81 OEM EU	1.0000
ZFNR19720SB	RUBBER FOOT 19.7X19.7X2T BK	4.0000
ZKD0230HA00	LABEL SERIAL AVR630EU	1.0000
ZKD0273HA00	LABEL BARCODE AVR630EU	1.0000
ZKGEN73HA00	LABEL BARCODE BLANK	1.0000
ZMC12S13AYE	STANDOFF HEX M4X0.7 6X31.9H	3.0000
ZMC12S14AYE	STANDOFF HEX M4X0.7 6X61.9H	3.0000
ZMC12S15AYE	STANDOFF HEX M4X0.7 6X111.2H	1.0000
ZNSSM4045HZ	NUT M4 HEXAGON CIRCULAR EXTERNAL	4.0000
ZPC1017GABK	HOLDER VFD AVR430/630	1.0000
H01-ZPC1020GACR	CAP KNOB VOLUME AVR630	1.0000
H01-ZPC1021GASG	COVER KNOB VOLUME AVR430/630	1.0000
ZPC1103GAGY-A	FOOT 50MM 15.8MM	4.0000
ZSMCM4008BY	SCREW BM 4X8	5.0000
ZSMCM4010BB	SCREW BM 4X10	5.0000
ZSTBM3008BY	SCREW ST BH 3X8	3.0000
ZSTBM3010BB	SCREW ST BH 3X10	71.0000
ZSTBM3012BY-A	SCREW ST BH 3X12 PIVOT	35.0000
ZVC11FLT100	FELT COVER PANEL	1.0000
ZSTGM3010BB	SCREW ST BH 3X10 GROUND	50.0000
ZSTWM3006BB	SCREW ST WPH 3X6	7.0000
ZSTWM3008BY	SCREW ST WPH 3X8	28.0000
ZSTWM4008BC	SCREW ST WPH 4X8 SILVER CHROM	12.0000
ZTB017030AA	CABLE TIE 100MM NYLON 6	35.0000

PART NUMBER	PART NAME	PCS
ZUC1201AABK	SPONGE 30X30X10T BK	3.0000
ZVC11FLT200	FELT COVER KNOB	1.0000
ZV4P00030TH	HEAT SHRINK TUBE L30MM*D4.0MM*T0.5MM	4.0000
ZWF793008PO	WASHER FIBER 3 0.8T	3.0000
ZWM623108SZ	WASHER SPRING 3	35.0000
ZWM763109SZ	AC SPRING WASHER RT2250(PAV5005)	4.0000
ZWM803305PZ	WASHER PLAIN 3	16.0000
ZWMC04810PZ	WASHER PLAIN 4	4.0000
H01-ZVC11DWT100	TAPE DOOR	1.0000
H01-WG02SG8532A	WIRECONASY UNIQUE 2P 530MM UL1617 PVC DOUBLE INSULATED 20 1	1.0000
ZFNR13830SB	RUBBER SIDE	6.0000
ZFNR12062SB	RUBBER SIDE	1.0000
ZFNR12072SB	RUBBER SIDE	1.0000
H01-ZVC11DWT200	TAPE PANEL	1.0000
ZSTWM3A08BY	SCREW ST W7.5PH 3X8	3.0000
H01-ZPC1219ZABK	SPEAKER TER'BOARD SH08M790B0	14.0000
ZVC11FILM0A-A	PROTECTION FILM	1.0000
ZPC1102GAMW	INDICATOR VIDEO 4	2.0000
H01-ZMD05S16A00	BKT HINGE AVR7300	2.0000

PART NUMBER	PART NAME	PCS
BTA3A1511SF	BATTERY ALKALINE 1.5V AAA	2.0000
H01-ATALF039ABK-A	ANTENNA WIRE ANTENNA LOOP CT01-AM 0 0	1.0000
H01-RYD0201HA00	REMOCON AVR630EU	1.0000
H01-RYC1202HA00	REMOCON ZONE 2	1.0000
H01-WAD01200303	ANTENNA WIRE 75 OHM WIRE CT03-FM 00	1.0000
H01-WAD022000BK	WR002 H05VVF 0.75MMSQ 2G BLACK 2000MM	1.0000
ZBP00037P51	BAG PE 379X272XT0.1	1.0000
ZKD0201HA00	MANUAL AVR630 EU	1.0000
ZKD0204HA00	BOX CARTON AVR630EU	1.0000
ZBP00122051	BAG PE 330 X245 T0.05	1.0000
ZBP00020350	POLYBAG BATTERY	1.0000
ZKD0273HA00	LABEL BARCODE AVR630EU	2.0000
ZKGEN73HA00	LABEL BARCODE BLANK	2.0000
ZKC1270HA00	LABEL "PLEASE"	1.0000
ZQC1101HAWH	CUSHION POLY EPS RIGHT AVR430/630	1.0000
ZQC1102HAWH	CUSHION POLY EPS LEFT AVR430/630	1.0000
ZKGEN43HA00	CARD INSERT ENVELOPE	1.0000
ZKC1263HA00	INSERT RS232 NOTE PAPER	1.0000
ZKD0131HA00	LABEL MADE IN P.R.C.	2.0000
ZKD0114HA00	SAFETY MANUAL EU	1.0000

AVR430/630 Alignment spec.

rev01.

1. MAIN B'D

: 5 Min. After power on, please set up Bias as below,

Front Left > use VR71, set P801 as 23mV +2mV/- 1mV.

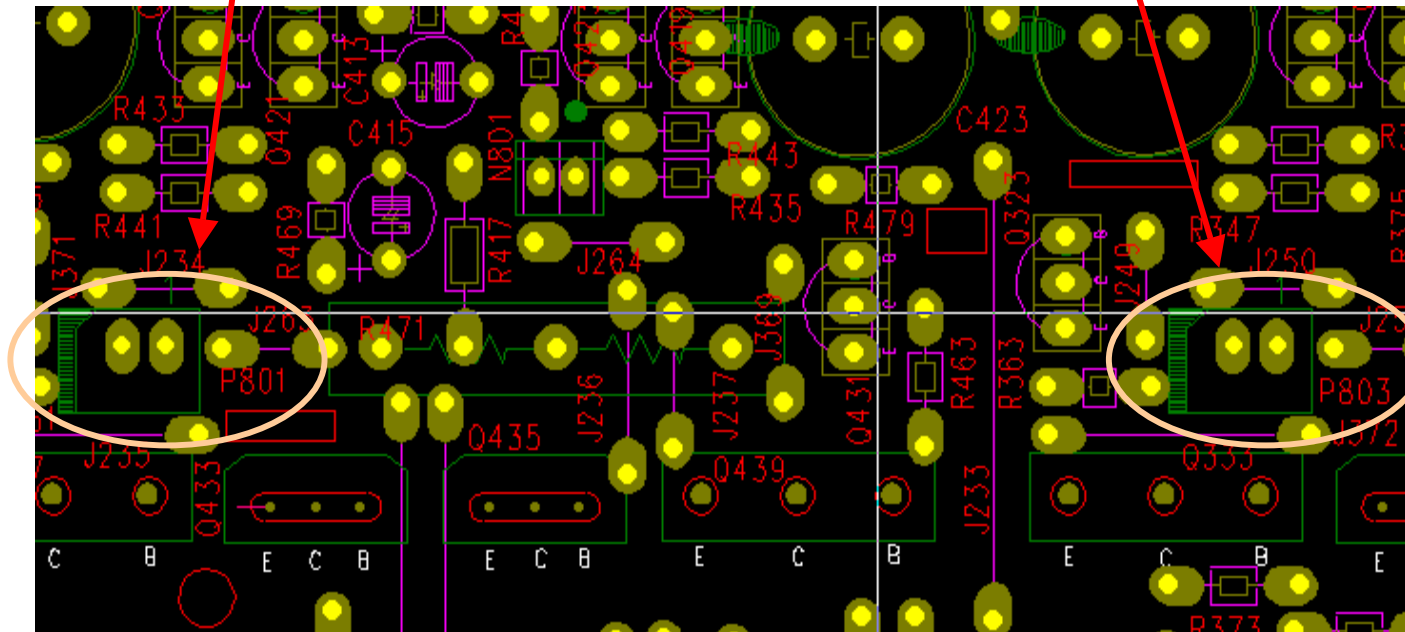
Surr Left > use VR73 then set P803 as 23mV +2mV/-1mV.

Front Right > use VR72 make P802 to 23mV +2mV/-1mV.

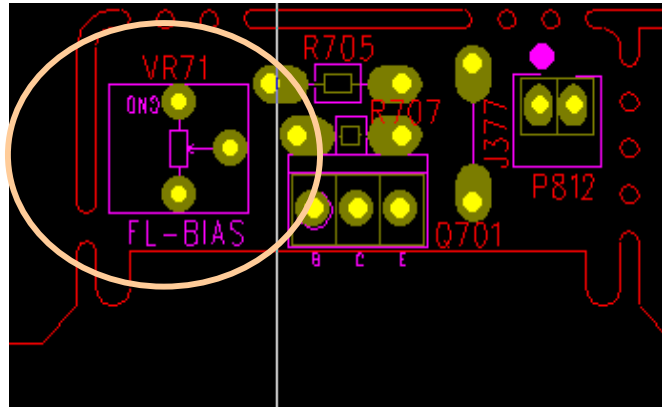
Surr Right > use VR73 then make P804 to 23mV +2mV/-1mV.

P801 FRONT L-CH

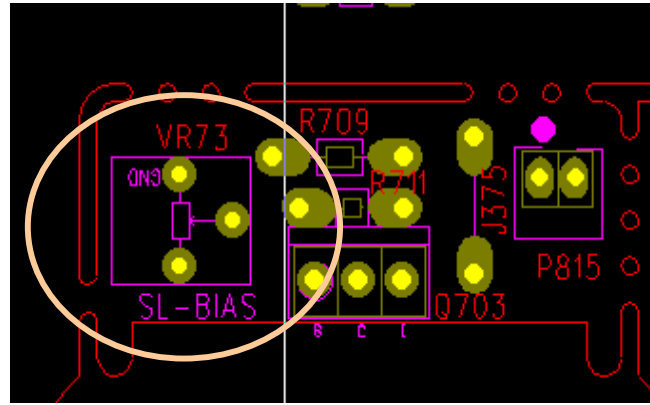
P803 SURROUND L-CH



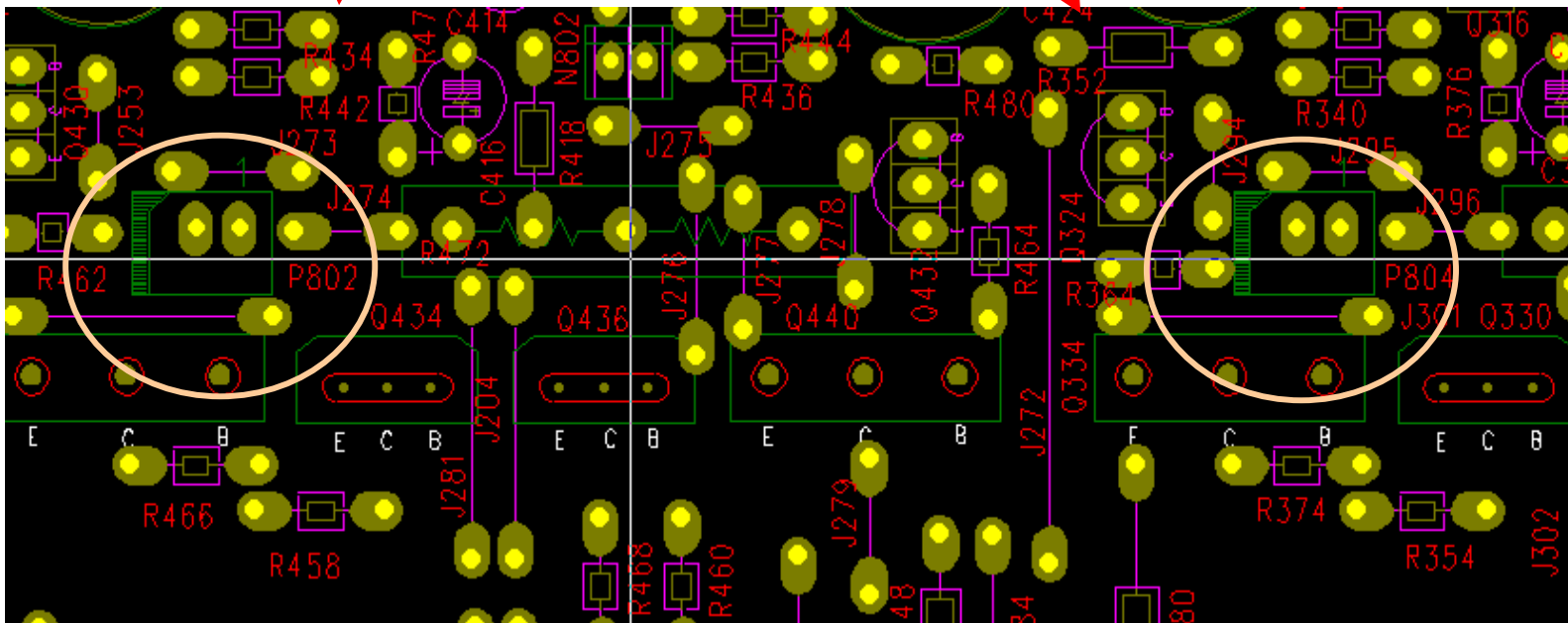
VR71 FRONT L-CH



VR73 SURROUND L-CH



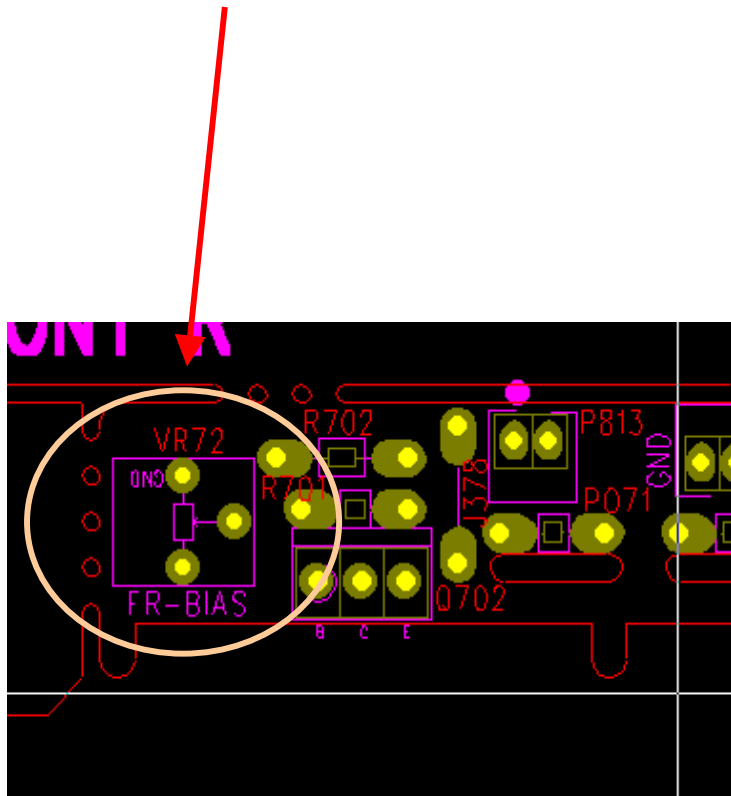
P804 SURROUND R-CH



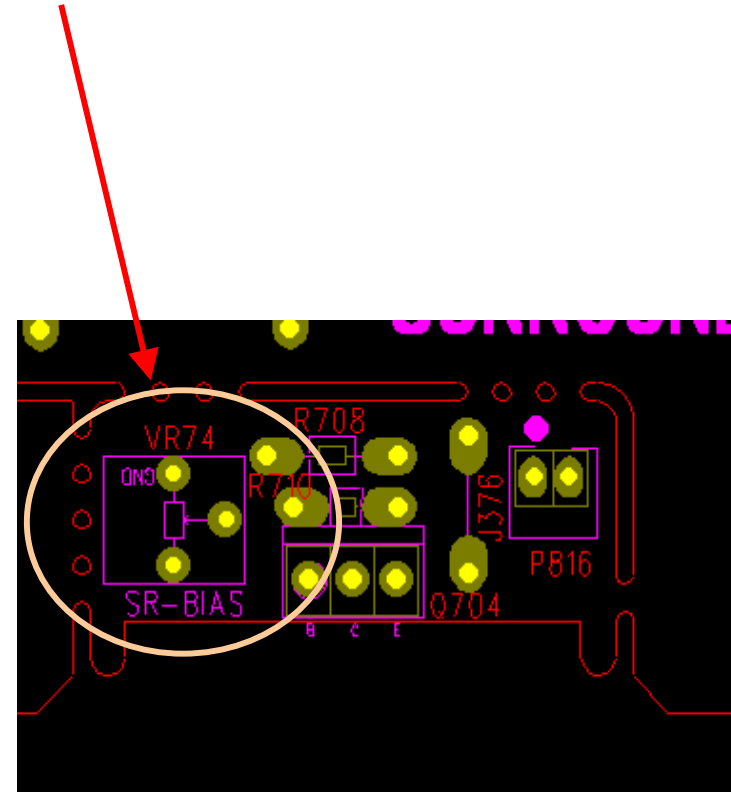
P802 FRONT R-CH



VR74 SURROUND R-CH



VR72 FRONT R-CH

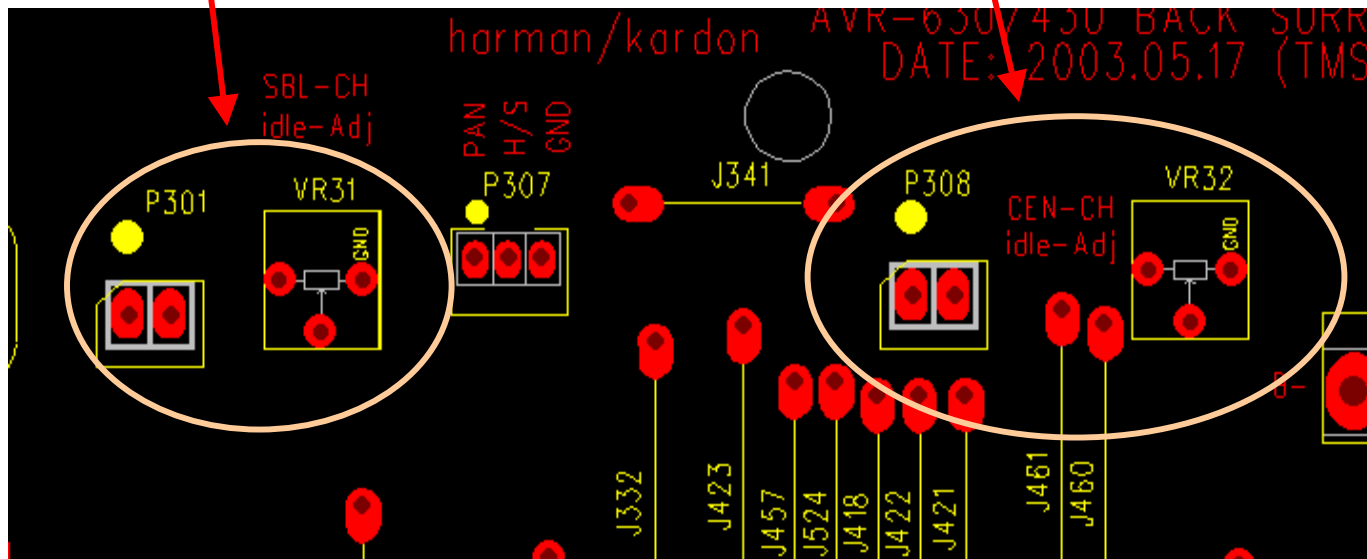


2. BACK SURROUND B'D

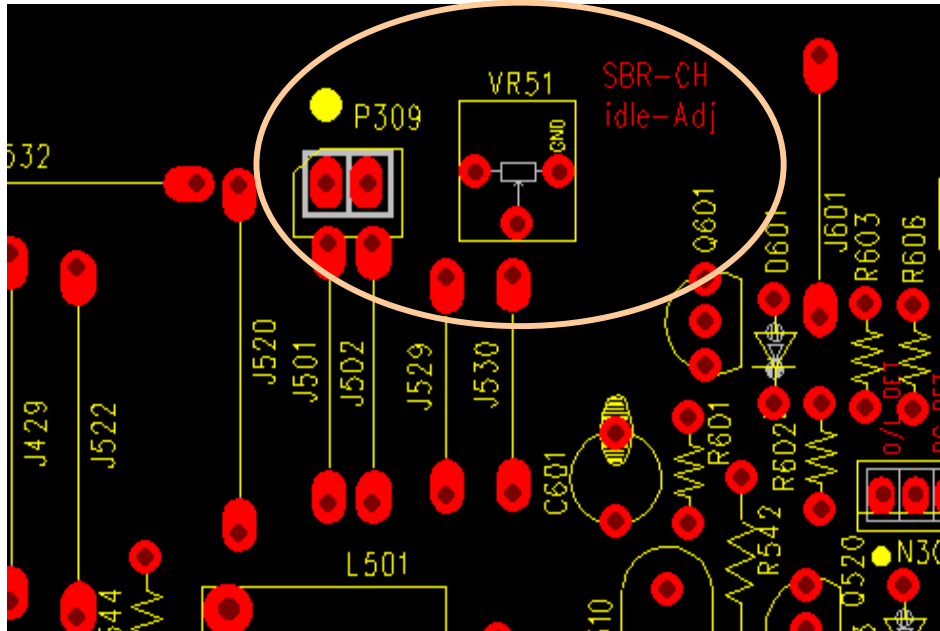
- : 5 Min. After power on, please set up Bias as below,
SBL > use VR31 then set P301 as 23mV +2mV/-1mV.
- Center > use VR32 make P308 to 23mV +2mV/-1mV.
- SBR > use VR51 then make P309 to 23mV +2mV/-1mV.

P301 VR31 BACK SURROUND L-CH

P308 VR32 CENTER-CH

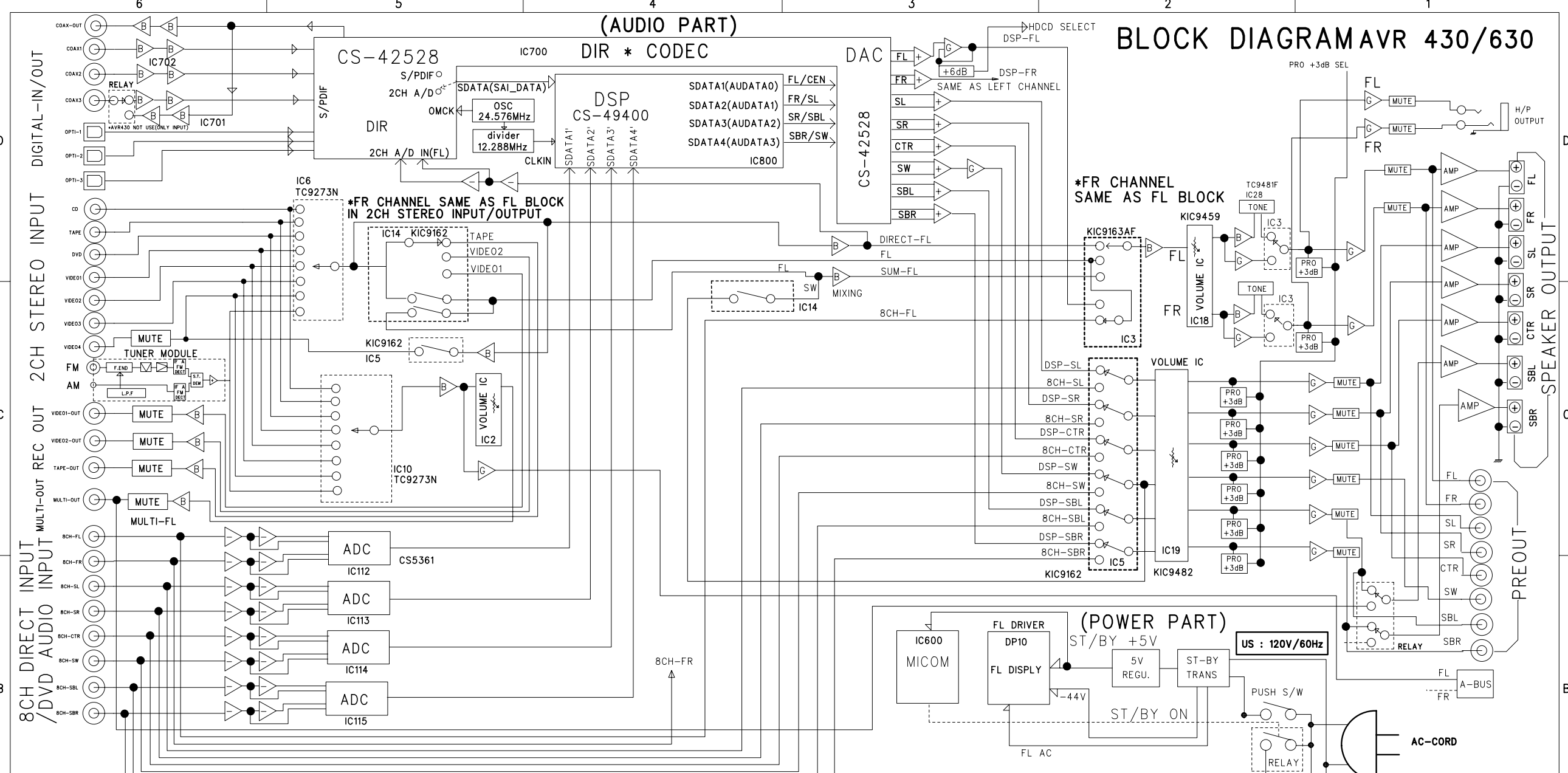


P309 VR51 BACK SURROUND R-CH

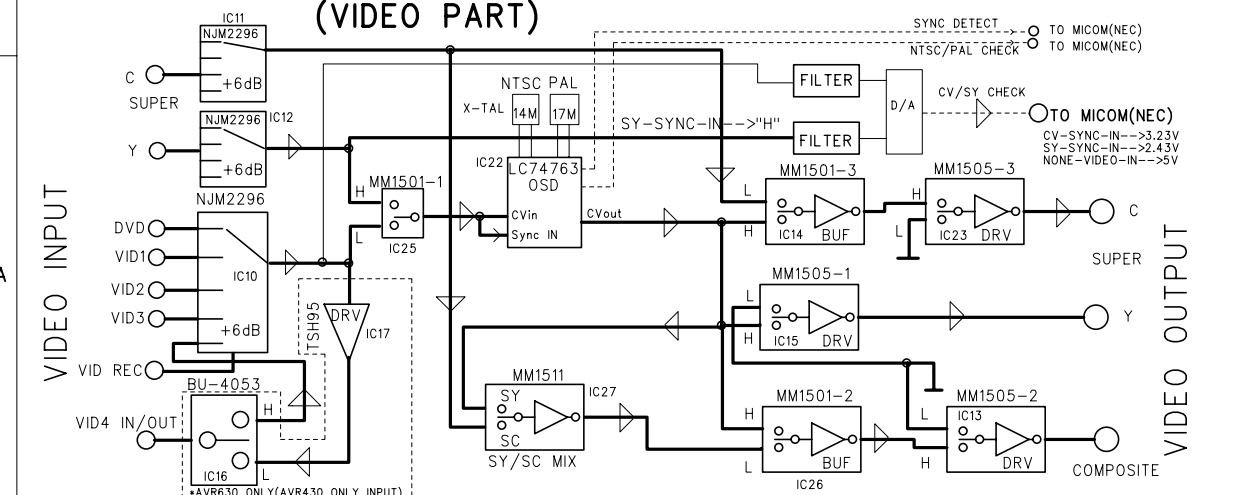


BLOCK DIAGRAM AVR 430/630

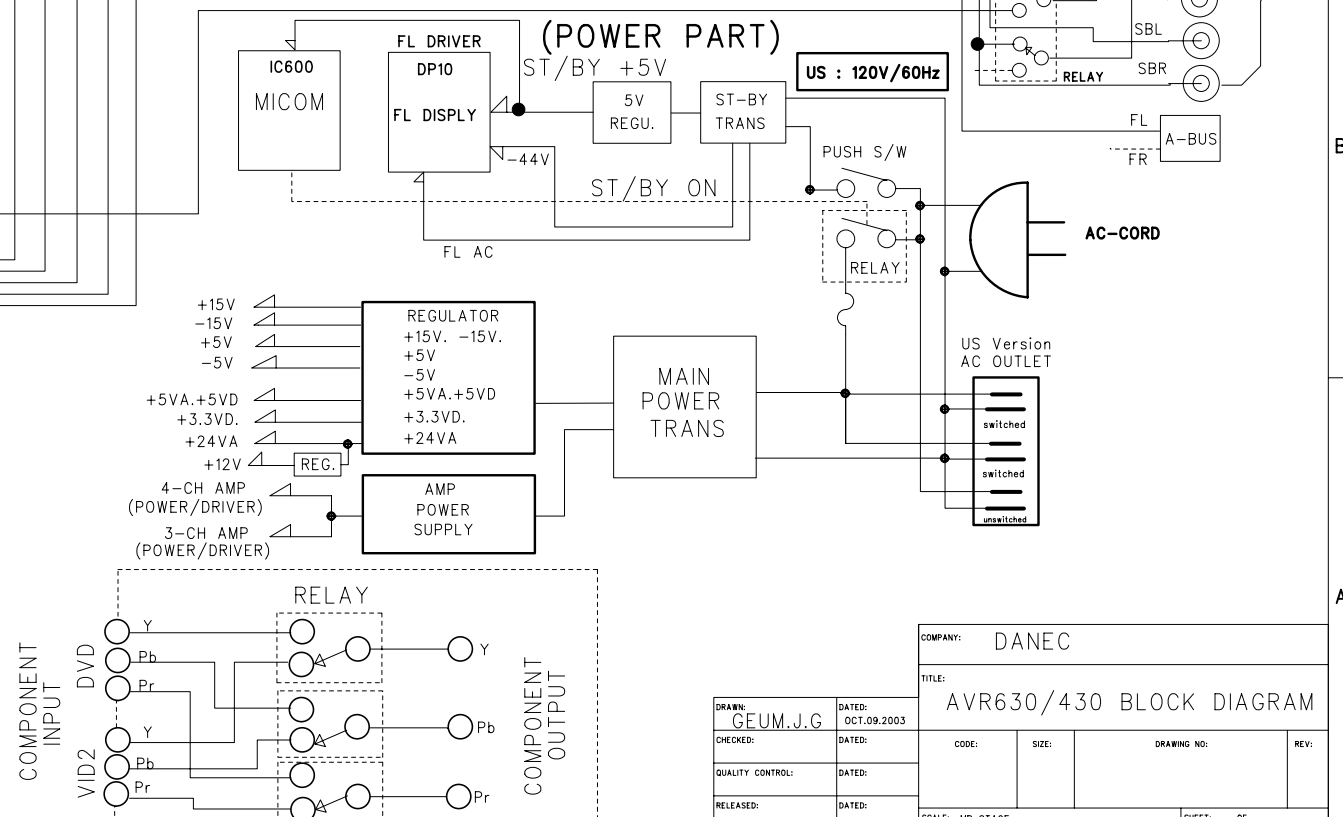
(AUDIO PART)



(VIDEO PART)



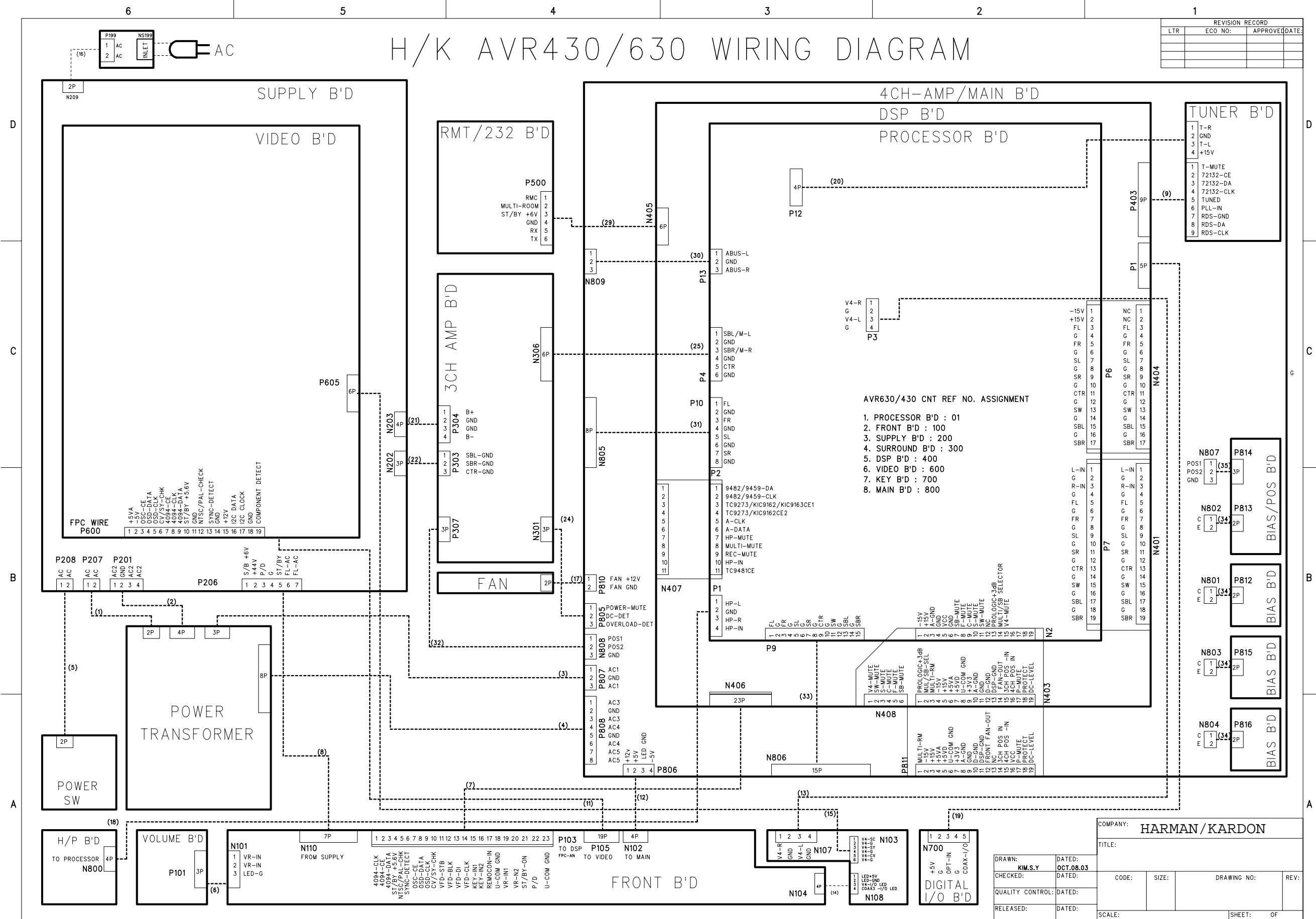
(POWER PART)



COMPANY: DANEC	
TITLE: AVR630/430 BLOCK DIAGRAM	
DRAWN: GEUM.J.G	DATED: OCT.09.2003
CHECKED:	DATED:
QUALITY CONTROL:	DATED:
RELEASED:	DATED:
CODE:	SIZE:
DRAWING NO:	REV:
SCALE: MP STAGE	SHEET: OF

H/K AVR430/630 WIRING DIAGRAM

REVISION RECORD		
LTR	ECO NO:	APPROVED/DATE:



- AVR630/430 CNT REF NO. ASSIGNMENT
1. PROCESSOR B'D : 01
 2. FRONT B'D : 100
 3. SUPPLY B'D : 200
 4. SURROUND B'D : 300
 5. DSP B'D : 400
 6. VIDEO B'D : 600
 7. KEY B'D : 700
 8. MAIN B'D : 800

DRAWN: KIM.S.Y		DATED: OCT.08.03	
CHECKED:	DATED:	CODE:	SIZE:
QUALITY CONTROL:	DATED:	DRAWING NO:	
RELEASED:	DATED:	SCALE:	SHEET: OF

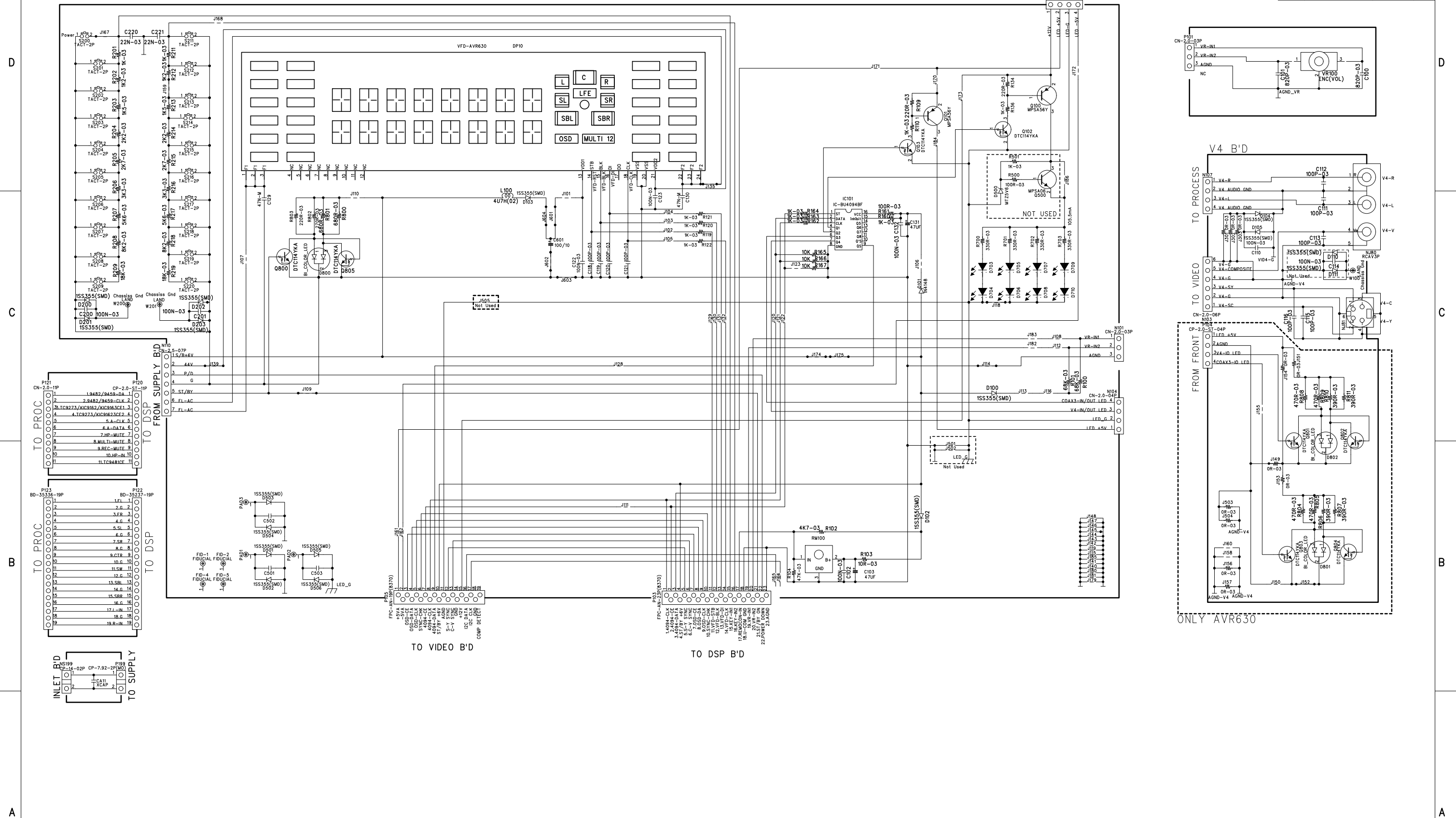
COMPANY: HARMAN/KARDON

TITLE:

SCHEMATIC DIAGRAM

harman/kardon
AVR430/630 FRONT

REVISION RECORD			
LTR	ECO NO:	APPROVED:	DATE:



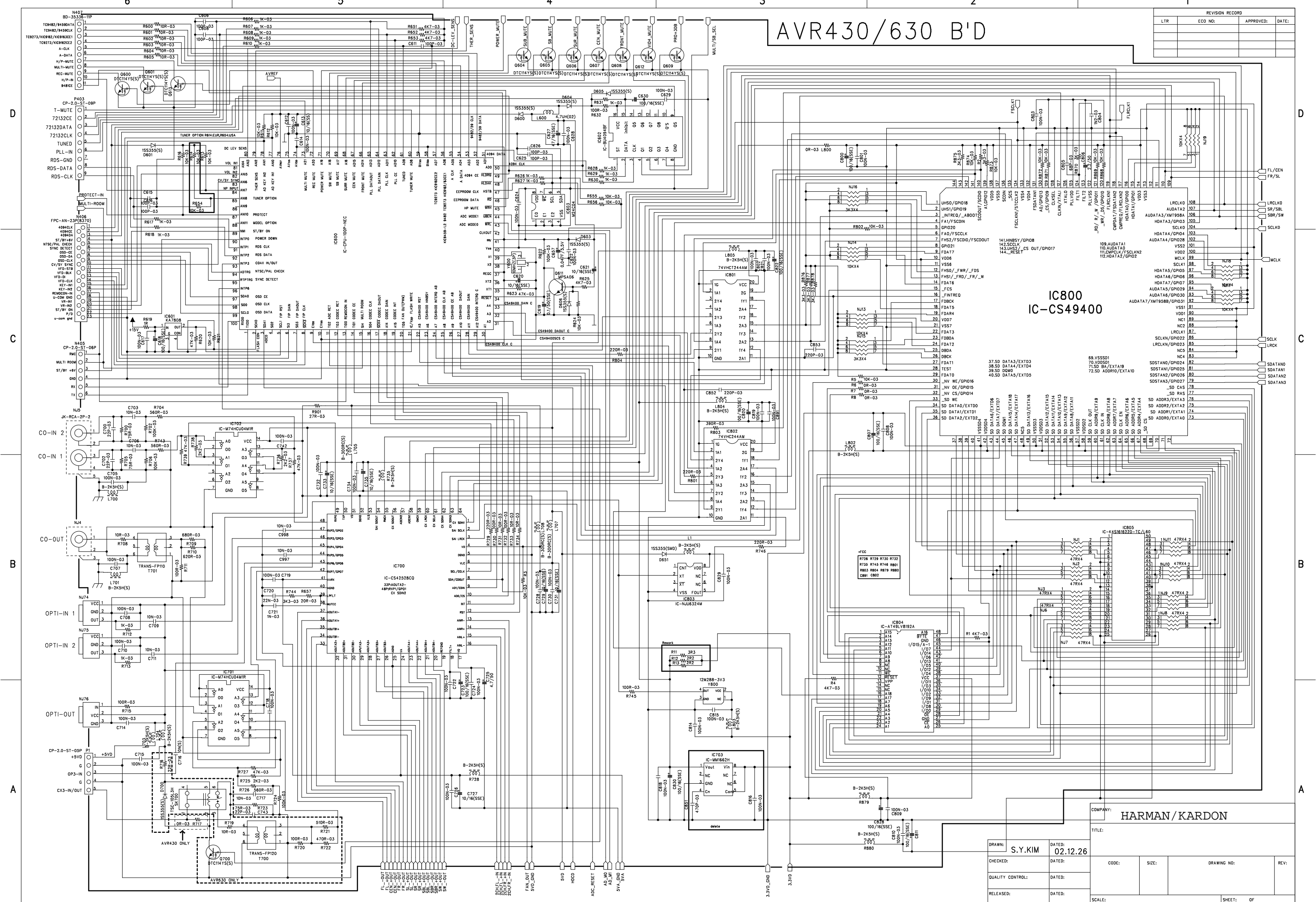
ONLY AVR630

COMPANY: HARMAN/KARDON	
TITLE: AVR630/430 FRONT B'D	
DRAWN: K.H.PARK	DATED: FEB.18.2003
CHECKED: S.Y.KIM	DATED: Mar.03.2003
QUALITY CONTROL:	DATED: Apr.01.2003
RELEASED:	DATED:
SCALE: FTMS	SHEET: 1 OF 1

CODE:	SIZE:	DRAWING NO:	REV:
-------	-------	-------------	------

AVR430/630 B'D

REVISION RECORD			
LTR	ECO NO.	APPROVED	DATE

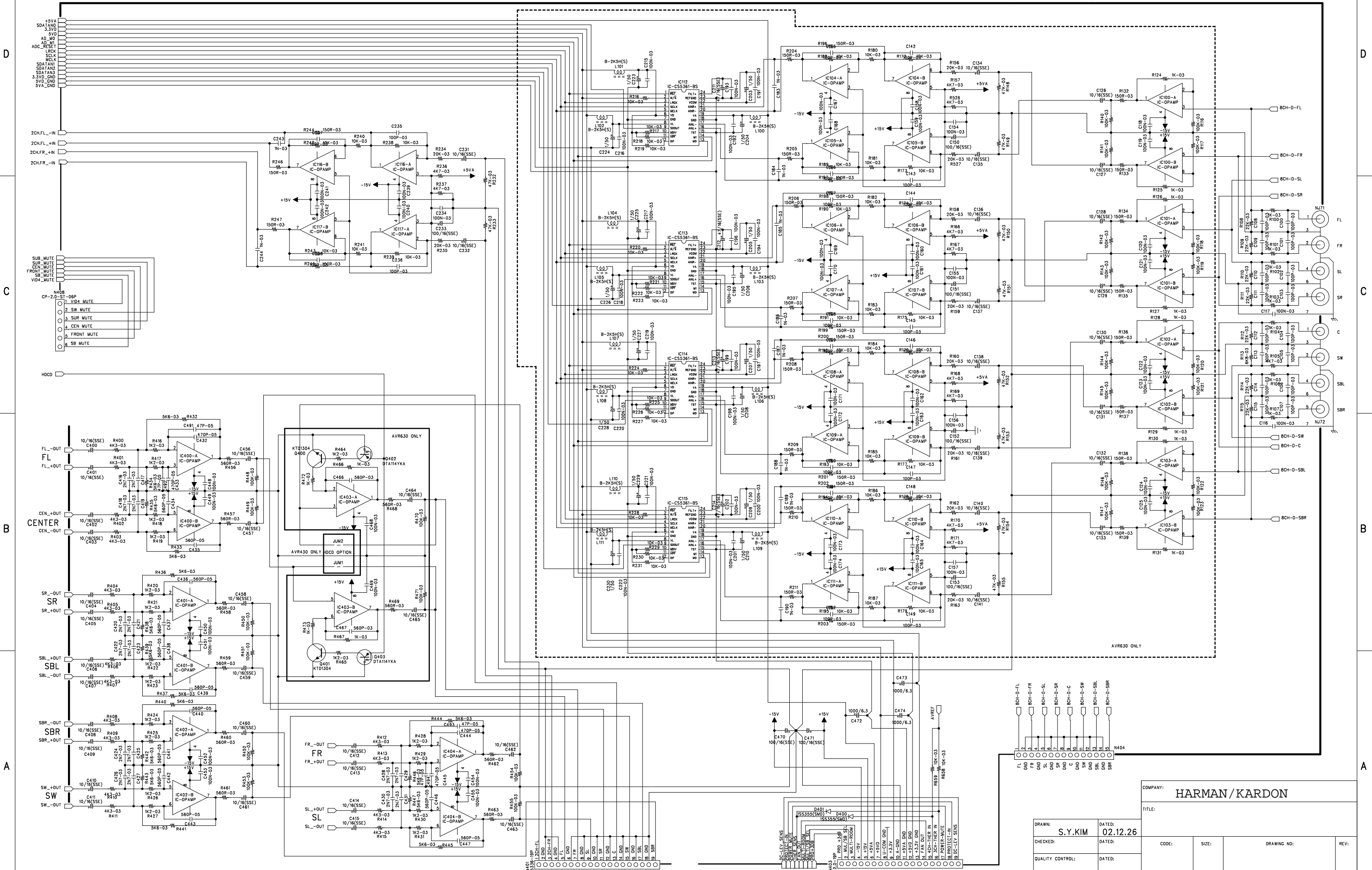


COMPANY: HARMAN / KARDON

DRAWN: S.Y.KIM DATED: 02.12.26

CHECKED:	DATED:	CODE:	SIZE:	DRAWING NO.:	REV:
QUALITY CONTROL:	DATED:	SCALE:	SHEET:	OF	
RELEASED:	DATED:				

REVISION RECORD			
LTR	ECO NO:	APPROVED:	DATE:

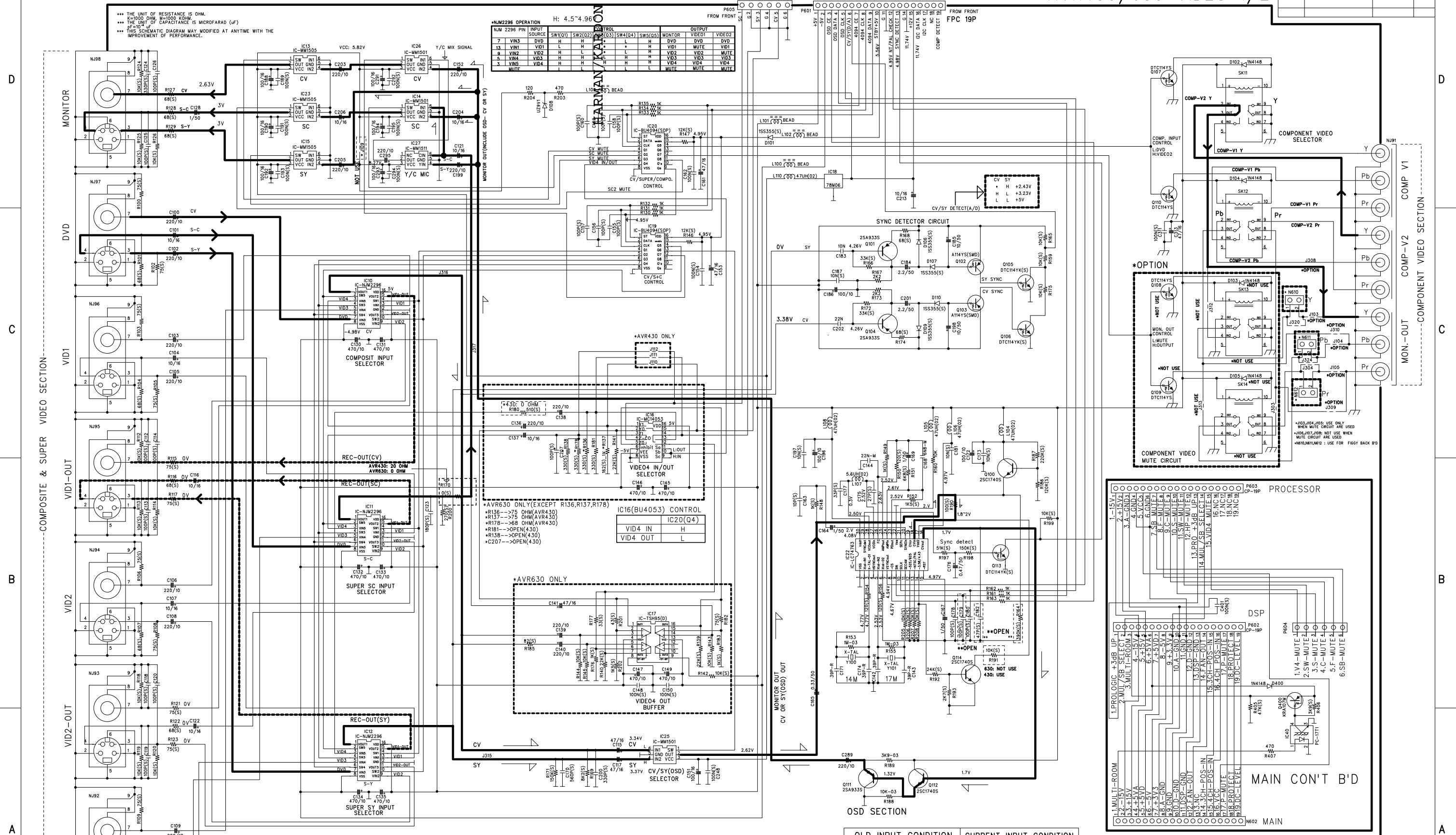


COMPANY: HARMAN / KARDON	
TITLE:	
DRAWN: S.Y.KIM	DATED: 02.12.26
CHECKED:	DATED:
QUALITY CONTROL:	DATED:
RELEASED:	DATED:
CODE:	SIZE:
DRAWING NO:	
REV:	
SCALE:	SHEET: OF

SCHEMATIC DIAGRAM

harman/kardon
AVR430/630 VIDEO 1/2

REVISION RECORD			
LTR	ECO NO:	APPROVED:	DATE:



SWITCHING TABLE

IC20(4094) CONTROL		IC19(4094) CONTROL	
Q1	CV OUT MUTE(NJM1501)	Q1	NUM2296 SW1
Q2	SC OUT (OSD/NON OSD)	Q2	NUM2296 SW2
Q3	SY OUT MUTE(NJM1501)	Q3	NUM2296 SW3
Q4	VID4 IN/OUT	Q4	NUM2296 SW4
Q5	COMPNT1/2 SELECT(Y,Pb,Pr)	Q5	NUM2296 SW5
Q6	COMPONENT MUTE(TSH95)	Q6	CV/SY IN SELECT
Q7	COMPONENT MUTE2(TSH95)	Q7	CV/S+C SELECT
Q8	SC-OUT MUTE	Q8	NC

*MONITOR OUT OPERATION - OSD FUNCTION

OUTPUT	OLD INPUT CONDITION							CURRENT INPUT CONDITION		
	Q1(IC20)	Q2(IC20)	Q3(IC20)	Q6(IC19)	Q8(IC20)	Q7(IC19)	CV-DETECT	SY-DETECT	FULL OSD	CV/SY(D/A)
CV ONLY DETECT	SEMI OSD	ON(H)	NON OSD(L)	OFF(L)	CV(L)	ON(H)	H	L	OFF	3.3V
	FULL OSD	ON(H)	OSD(H)	ON(H)	*	ON(H)	*	ON	*	*
SY DETECT	SEMI OSD	ON(H)	NON OSD(L)	ON(H)	SY(H)	ON(H)	*	H	OFF	2.5V
	FULL OSD	ON(H)	OSD(H)	ON(H)	*	ON(H)	*	ON	*	*
NONE SOURCE	SEMI OSD	ON(H)	OSD(H)	ON(H)	*	ON(H)	L	OFF	5V	*
	FULL OSD	ON(H)	OSD(H)	ON(H)	*	ON(H)	*	ON	*	*
MUTE	SEMI OSD	OFF(L)	*	OFF(L)	*	OFF(L)	*	*	*	*
	FULL OSD	OFF(L)	*	OFF(L)	*	OFF(L)	*	*	*	*

COMPONENT VIDEO SECTION

COMPONENT VIDEO SELECTOR

COMP-V1 Y, COMP-V1 Pb, COMP-V1 Pr, COMP-V2 Y, COMP-V2 Pb, COMP-V2 Pr

MON.-OUT, COMP.-V2, COMP.-V1

OPTION

MON. CONTROL, MUTE, H/OUTPUT

COMPONENT VIDEO MUTE CIRCUIT

PROCESSOR

P603 CP-19P

1. PROLOGIC + 34B UP, 2. MULT-ROOM, 3. MULT-Room, 4. -15V, 5. -15V, 6. GND, 7. 5B-MUTE, 8. -15V, 9. -15V, 10. A-GND, 11. SW-MUTE, 12. HP-MUTE, 13. PRO + 34B UP, 14. MULT-Room, 15. MULT-Room, 16. VCC, 17. MUTE, 18. PROLOGIC, 19. PRO-LEVEL

MAIN CONT B'D

P602 CP-19P

1. V4-MUTE, 2. SW-MUTE, 3. S-MUTE, 4. C-MUTE, 5. F-MUTE, 6. 5B-MUTE

COMPANY: **HARMAN/KARDON**

TITLE: **AVR430/630 VIDEO & MAIN CNT B'D**

DRAWN: _____ DATED: **SEP.07.2003**

CHECKED: _____ DATED: _____

QUALITY CONTROL: _____ DATED: _____

RELEASED: _____ DATED: _____

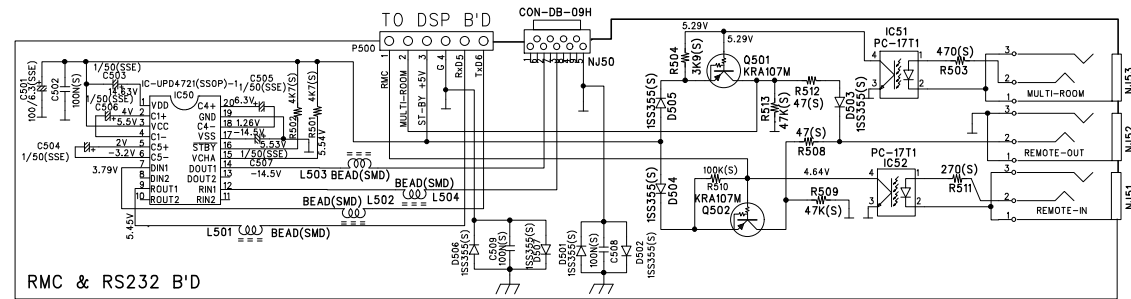
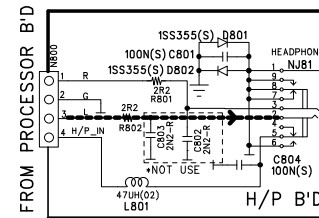
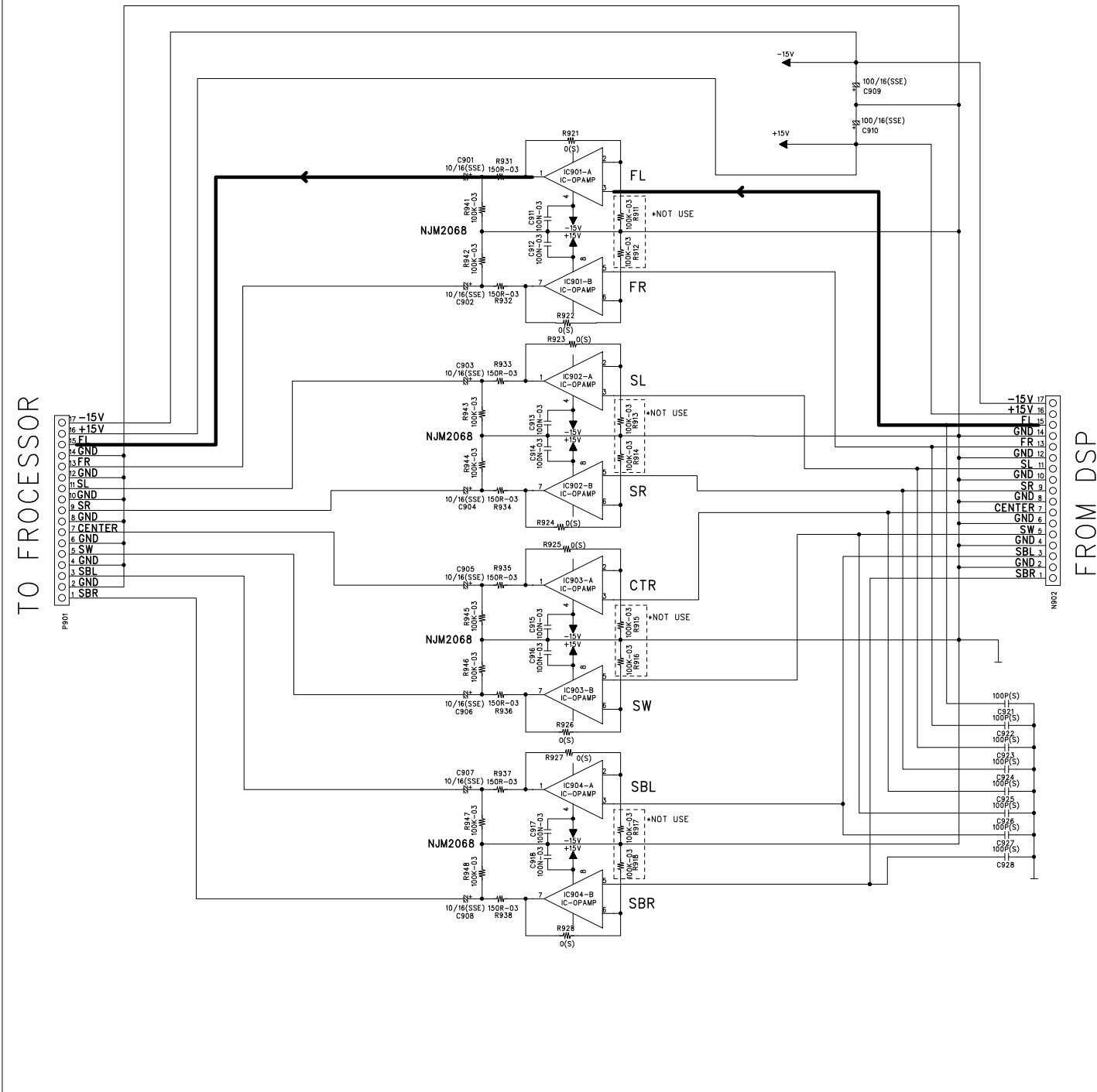
CODE: _____ SIZE: _____ DRAWING NO: _____ REV: _____

STAGE:HMS TOTAL SHEET: _____

REVISION RECORD			
LTR	ECO NO:	APPROVED:	DATE:

8CH-DIRECT CNT B'D

V+: 14.8V
V-: -15.4



COMPANY: HARMAN/KARDON

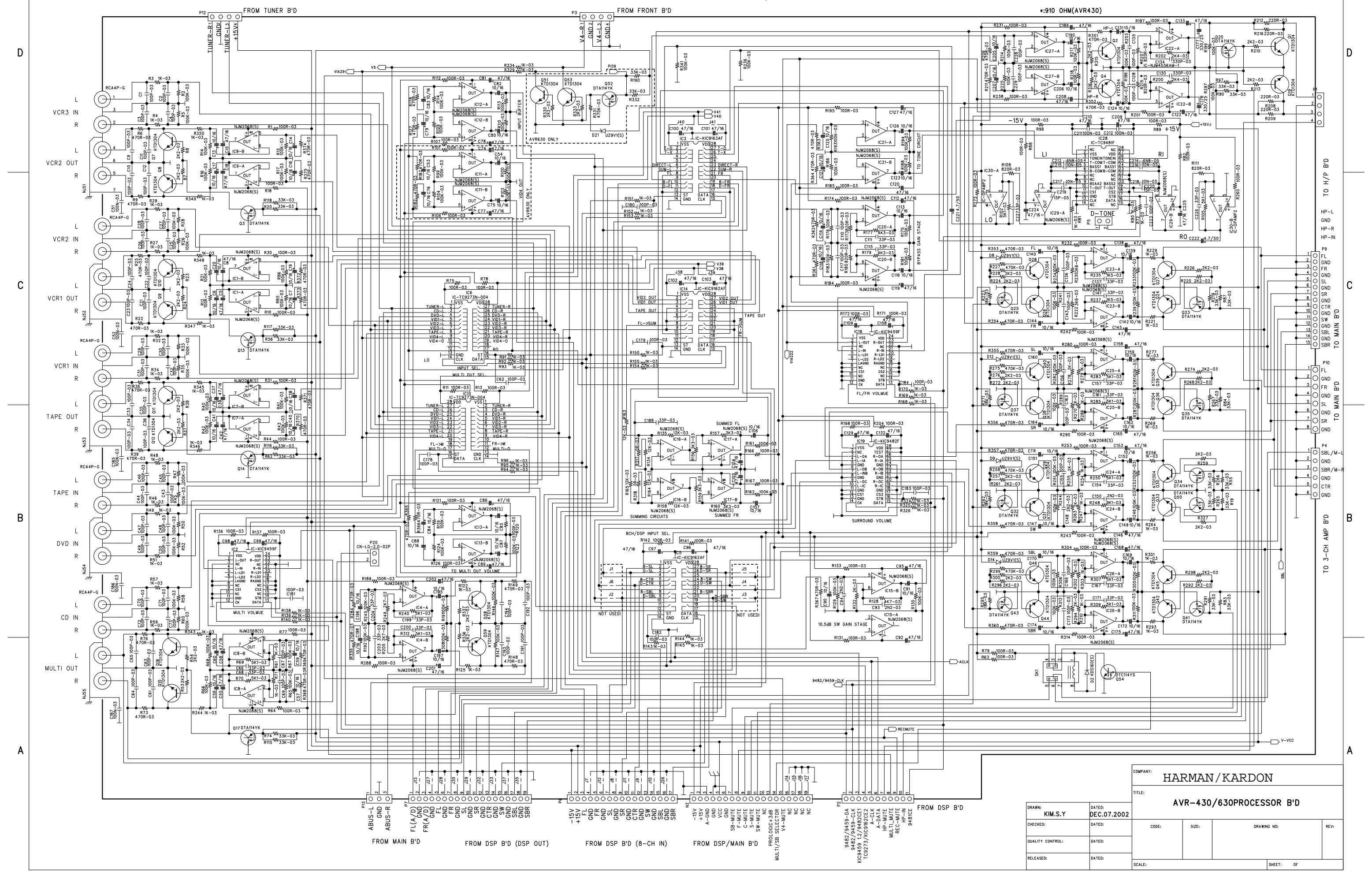
TITLE: AVR430/630 VIDEO
(RMC,8CH-CNT,HP,8CH-DVD CNT)

DRAWN:	DATED: SEP.07.2003
CHECKED:	DATED:
QUALITY CONTROL:	DATED:
RELEASED:	DATED:

CODE:	SIZE:	DRAWING NO:	REV:
STAGE: TMS			SHEET: 5 OF 10

SCHEMATIC DIAGRAM AVR430/630

REVISION RECORD			
LTR	ECO NO:	APPROVED:	DATE:



COMPANY: HARMAN / KARDON

TITLE: AVR-430/630PROCESSOR B'D

DRAWN: KIM.S.Y	DATED: DEC.07.2002
CHECKED:	DATED:
QUALITY CONTROL:	DATED:
RELEASED:	DATED:

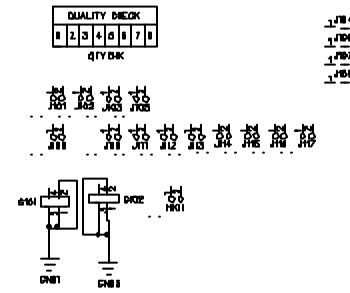
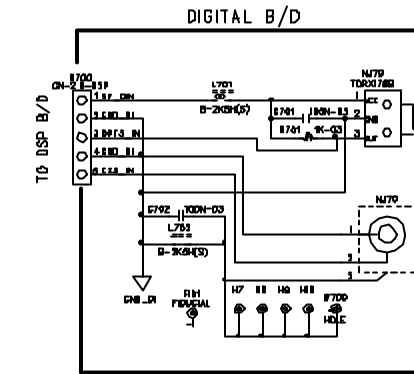
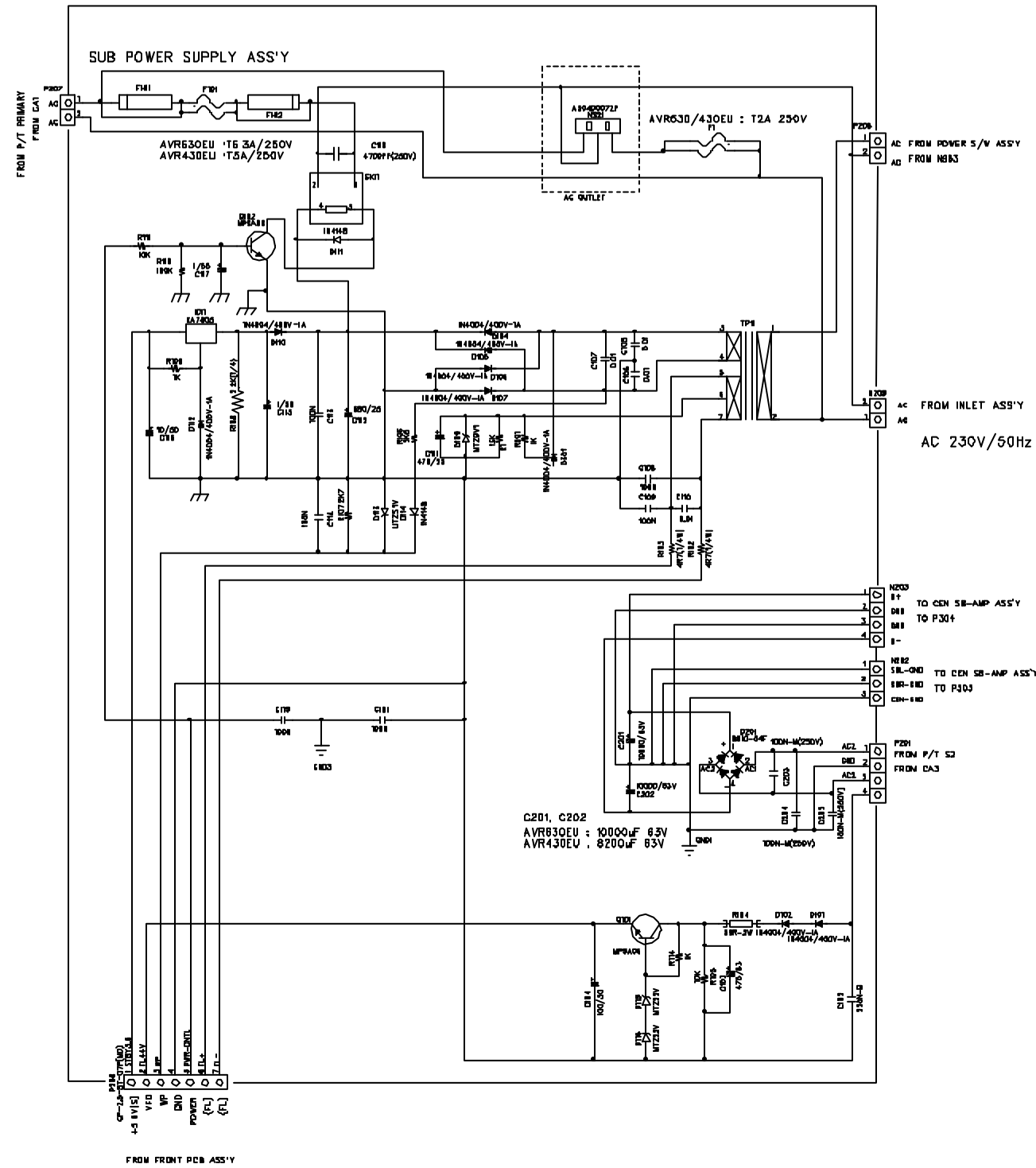
CODE:	SIZE:	DRAWING NO:	REV:
SCALE:		SHEET:	OF

FROM MAIN B'D FROM DSP B'D (DSP OUT) FROM DSP B'D (8-CH IN) FROM DSP/MAIN B'D

9482/9459-DA
9482/9459-CLK
KIC9273/KIC9262
T02923/KIC9262
A-CLK
A-DATA
HP-MUTE
MULTI-MUTE
REC-HP-IN
948ICE

PRO.DOC+C+4B
MULTI/SB SELECTOR
14-MUTE
NC
NC
NC

AVR 630/430EU ST-BY SCHEMATIC DIAGRAM



REV	DATE	BY	CHKD
01	2003 10 23	S.Y.KIM	
02	2003 10 23	S.Y.KIM	

HARMAN / KARDON

Inc. CONFIDENTIAL/CONTROL CDPLY

FILENAME	CODE NO.	SHEET
AVR630/430EU		1 / 1
MODEL	DESIGN	CHKD
AVR630/430EU	S.Y.KIM	
DESIGN DATE		APPROVAL
2003 10 23		

6

5

4

3

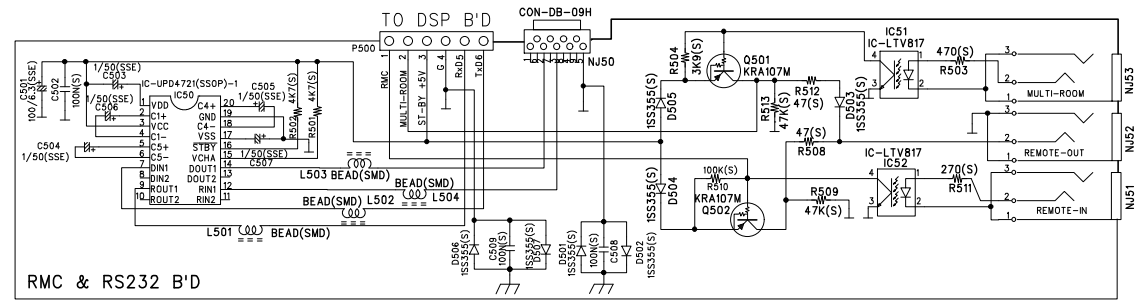
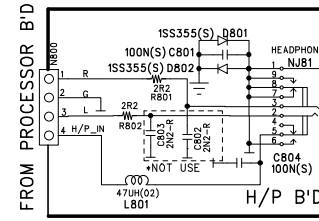
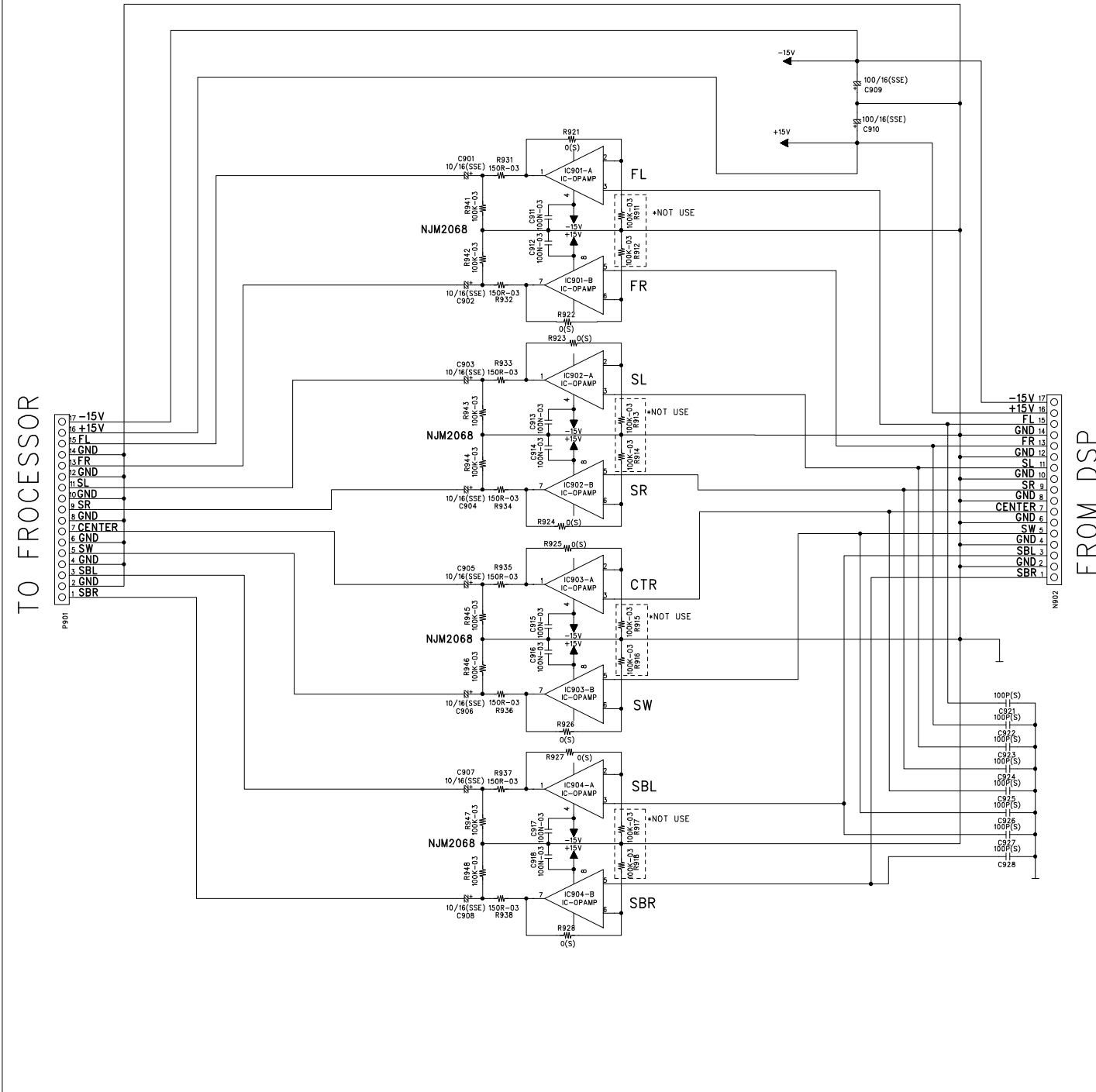
2

1

AVR430/630 VIDEO2(RMC,HP,8CH CNT B'D)

REVISION RECORD			
LTR	ECO NO:	APPROVED:	DATE:

8CH-DVD CNT B'D



D

D

C

C

B

B

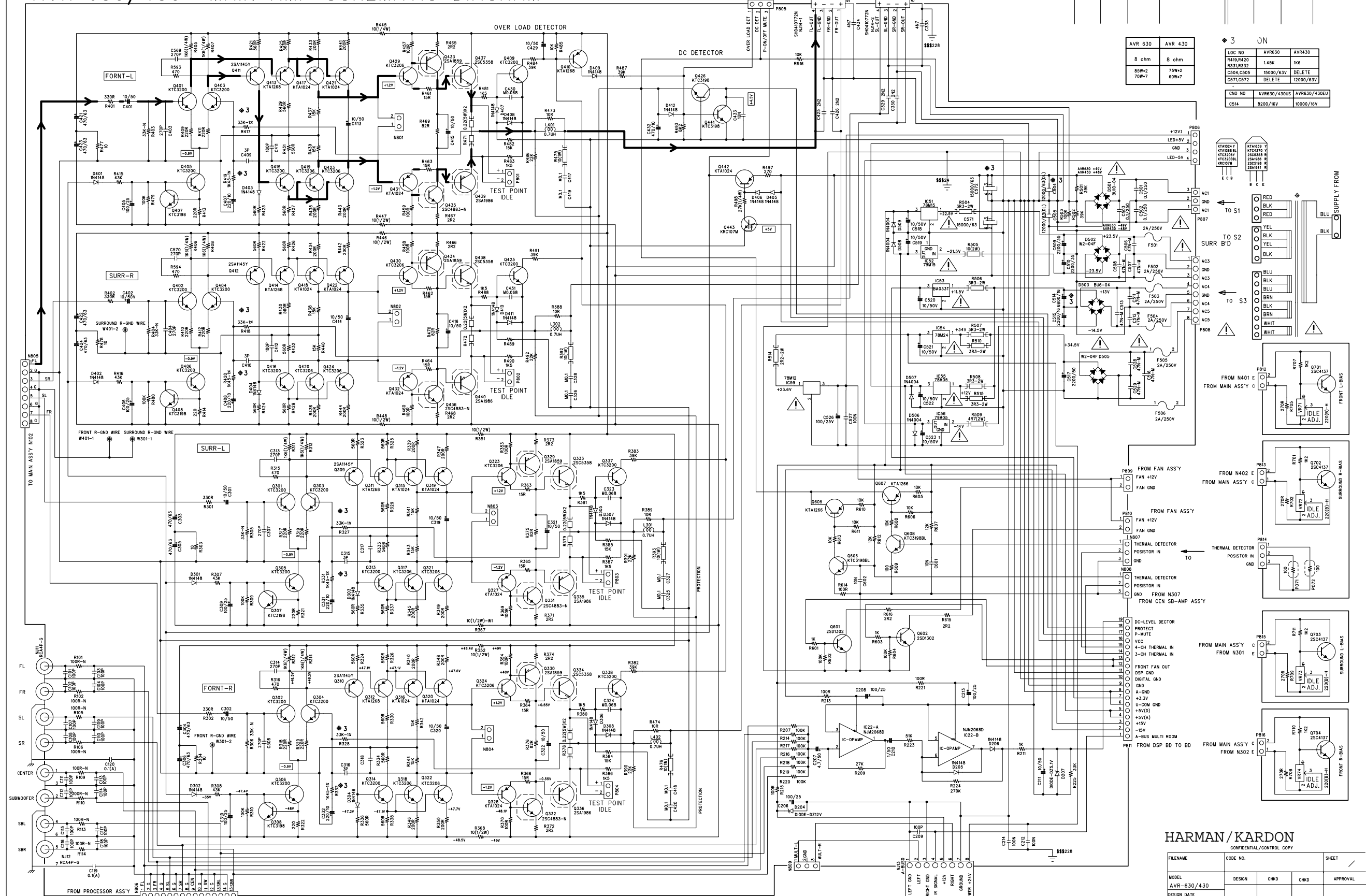
A

A

DRAWN: GEUM JU GYEONG		DATED: MAY.07.2003	
CHECKED:	DATE:	CODE:	SIZE:
QUALITY CONTROL:	DATE:	DRAWING NO:	REV:
RELEASED:	DATE:	STAGE: TMS	

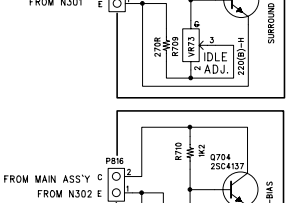
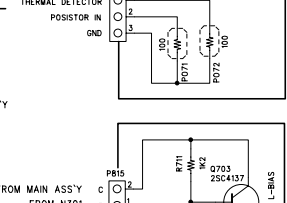
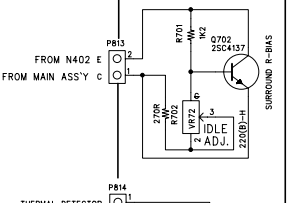
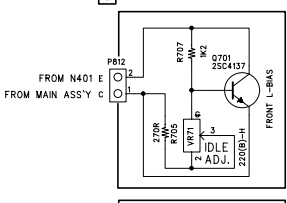
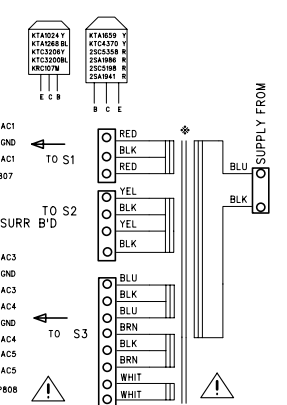
COMPANY:	HARMAN/KARDON		
TITLE:	AVR430/630 VIDEO (RMC,8CH-CNT,HP,8CH-DVD CNT)		
SHEET: 5 OF 10			

AVR 630/430 MAIN AMP SCHEMATIC DIAGRAM



AVR 630	AVR 430
8 ohm	8 ohm

LDC NO	AVR630	AVR430
R419,R420	1.45K	NK
R331,R332		
C54-C56	15000/63V	DELETE
C57,C57Z	DELETE	10000/63V
C54	8200/6V	10000/6V



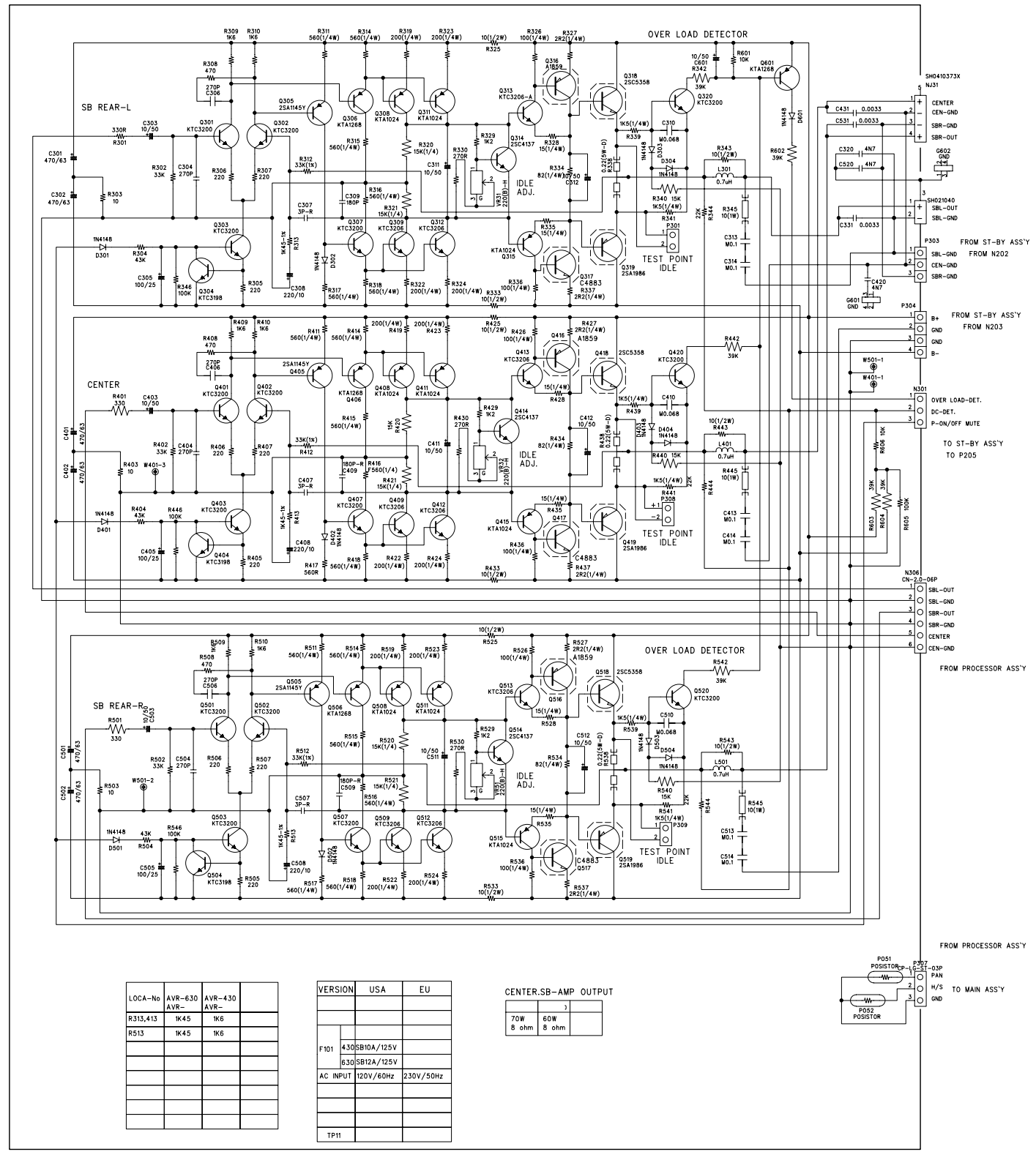
HARMAN / KARDON
CONFIDENTIAL/CONTROL COPY

FILENAME	CODE NO.	SHEET
AVR-630/430		

MODEL	DESIGN	CHKD	APPROVAL
AVR-630/430	S.Y.KIM		

DESIGN DATE: 2003.11.19

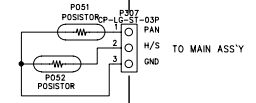
AVR 630/430 CENTER SB AMP SCHEMATIC DIAGRAM



LOCA-No	AVR-630	AVR-430
R313,413	W45	W6
R513	W45	W6

VERSION	USA	EU
F101	430SB10A/125V	
	630SB12A/125V	
AC INPUT	120V/60Hz	230V/50Hz
TP11		

CENTER-SB-AMP OUTPUT	1
70W	8 ohm
8 ohm	8 ohm

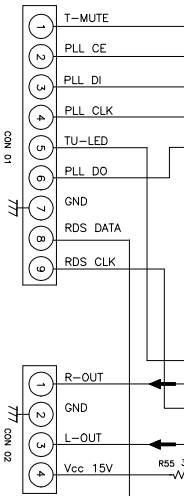
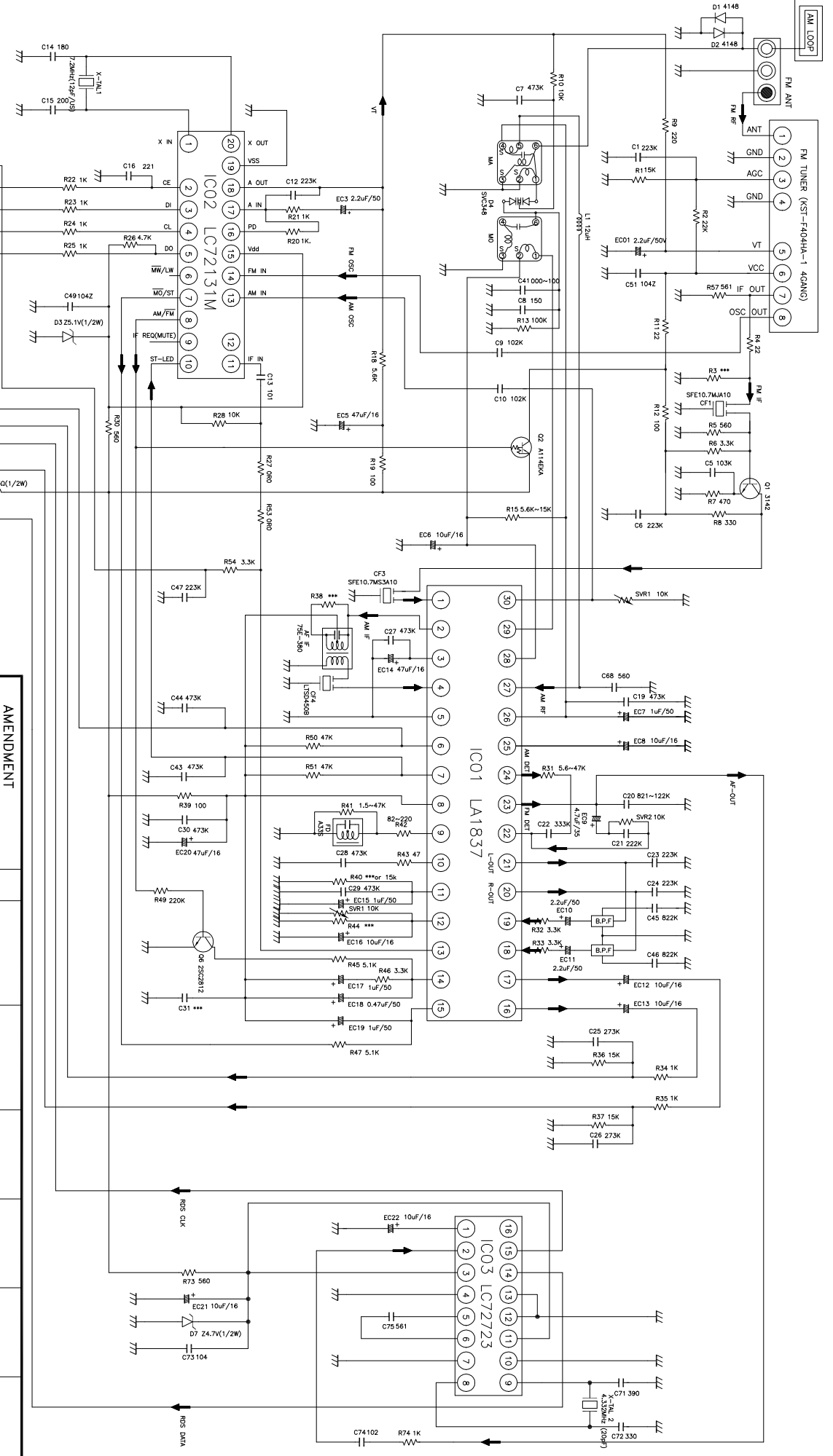


HARMAN/KARDON

CONFIDENTIAL/CONTROL COPY

FILENAME	CODE NO.	SHEET
AVR630/430		1 / 1
MODEL	DESIGN	CHKD
AVR630/430	S.Y.KIM	
DESIGN DATE		APPROVAL
2003.07.17		

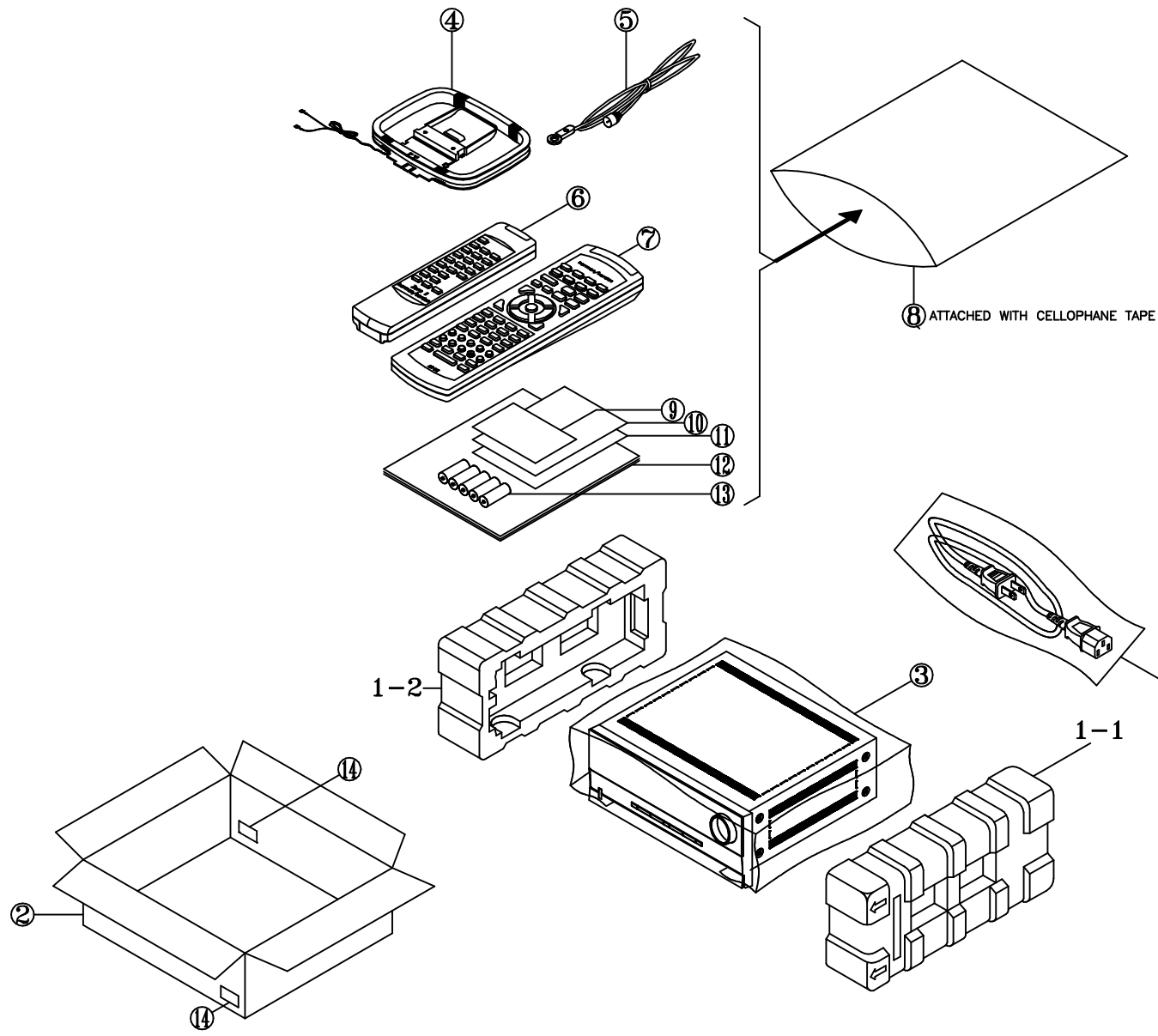
NOTE: No parts available use complete tuner modul



*Note: The Component values of this Schematic diagram are subject to change without notice for improvement.

AMENDMENT		PARTS NO		PARTS NAME		MATERIAL		SIZE		TREATMENT		REMARK	
NO	PARTS NO	PARTS NAME	MATERIAL	SIZE	TREATMENT	REMARK	NO	PARTS NO	PARTS NAME	MATERIAL	SIZE	TREATMENT	REMARK
MODEL NO	KST-MB114MW-81												
UNIT	mm												
SCALE													
DATE	2002.10.19												
DRAWN	DESIGN	CHECKED	APPROVED										
2003.09.30													
DRAWN NO	KSD-M058-67RS												
NAME	SCHEMATIC DIAGRAM												

MRK	DATE	PRD	REVISION RECORD	DR	MAX	DATE	PRD	REVISION RECORD	DR
▲				▲					
▲				▲					
▲				▲					
▲				▲					



NO.	PARTS NO.	DESCRIPTION	AVR 430US	AVR 630US	AVR 430EU	AVR 630EU
1-1	ZQ-C11-01HA-WH	CUSHION POLY RIGHT	1	1	1	1
1-2	ZQ-C11-02HA-WH	CUSHION POLY LEFT	1	1	1	1
2	ZK-C10-04HA-00	BOX CARTON AVR430US	1			
	ZK-C11-04HA-00	BOX CARTON AVR630US		1		
	ZK-D01-04HA-00	BOX CARTON AVR430EU			1	
2	ZK-D02-04HA-00	BOX CARTON AVR630EU				1
	ZH-C12-01AA-WH	SHEET PE 0.5K	1	1	1	1
4	H01-AT-ALF-038A-BK	AM ANTENNA LOOP	1	1	1	1
5	H01-WA-B01-2002-03	FM ANTENNA 75 US	1	1		
5	H01-WA-D01-2003-03	FM ANTENNA 75 EU			1	1
6	H01-RY-C12-02HA-00	ASSY REMOCON ZONE II	1	1	1	1
7	H01-RY-C10-01HA-00	ASSY REMOCON AVR430US	1			
	H01-RY-C11-01HA-00	ASSY REMOCON AVR630US		1		
	H01-RY-D01-01HA-00	ASSY REMOCON AVR430EU			1	
	H01-RY-D02-01HA-00	ASSY REMOCON AVR630EU				1
8	ZB-P00-1220-S1	POLY BAG PE 0.05K	1	1		
9	ZK-C11-58HA-00	CARD POST PAPER	1	1	1	1
10	ZK-C11-13HA-00	CADR WARRANTY PAPER	1	1	1	1
11	ZK-C12-14HA-00	SAFETY LEAFLET PAPER	1	1	1	1
12	ZK-C10-01HA-00	MANUAL AVR430US	1			
	ZK-C11-01HA-00	MANUAL AVR630US		1		
	ZK-D01-01HA-00	MANUAL AVR430EU			1	
	ZK-D02-01HA-00	MANUAL AVR630EU				1
13	BT-A3A-1511-SF	BATTERY 1.5V AAA	6	6	6	6
14	ZK-C10-73HA-00	LABEL BARCODE AVR430US	2			
	ZK-C11-58HA-00	LABEL BARCODE AVR630US		2		
	ZK-D01-73HA-00	LABEL BARCODE AVR430EU			2	
	ZK-D02-73HA-00	LABEL BARCODE AVR630EU				2
15	H01-RY-C12-02HA-00	WIRE-MCRDM 0.82MM2 1MM BK	1	1	1	1

GENERAL TOLERANCE ±0.2 MM
 DIVISION GRADE
 UNDER 16mm (6.30 in) 11, 12, 13, 14, 15
 16-25 (0.63 in) 16, 17, 18, 19, 20, 21, 22, 23, 24, 25
 26-100 (4.00 in) 26, 27, 28, 29, 30, 31, 32, 33, 34, 35

HARMAN / KARDON

NO.	PARTS NO.	PARTS NAME	DWG. NO.	MATERIAL	FINISH	QTY	MODEL NO.	MAKER
APPROVAL	CHECK	DRAWING	DESIGN	MODEL	TOLERANCE	PARTS NAME	PACKING INSTRUCTION	
D.L.CHOI		J.H.KIM			SCALE			
					LESS: a			
					H			
					S			
					LESS: a			
					UNIT			
					m/m			
					LESS: a			
					DWG. NO.			
					REV.			