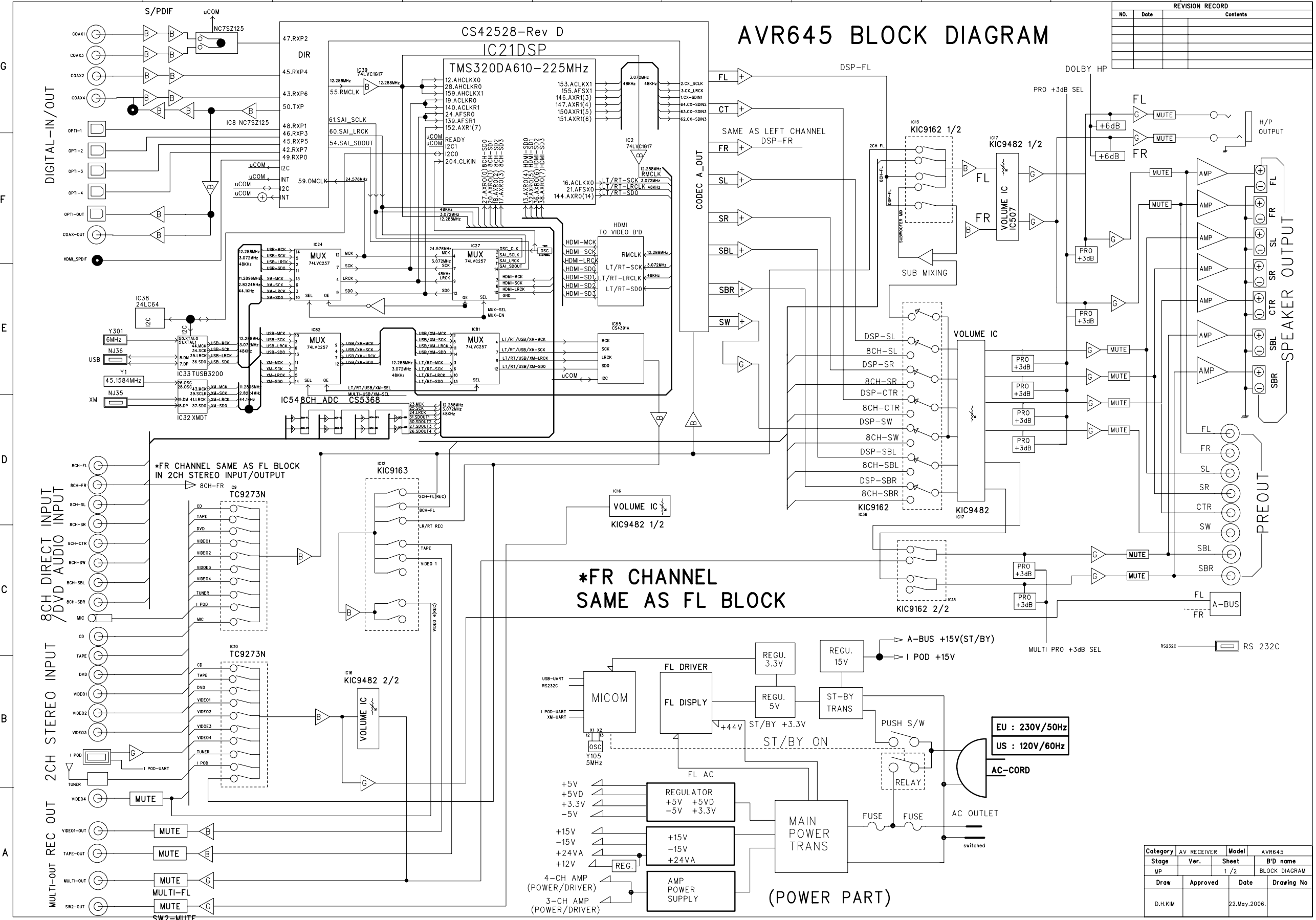


AVR645 BLOCK DIAGRAM

REVISION RECORD		
NO.	Date	Contents

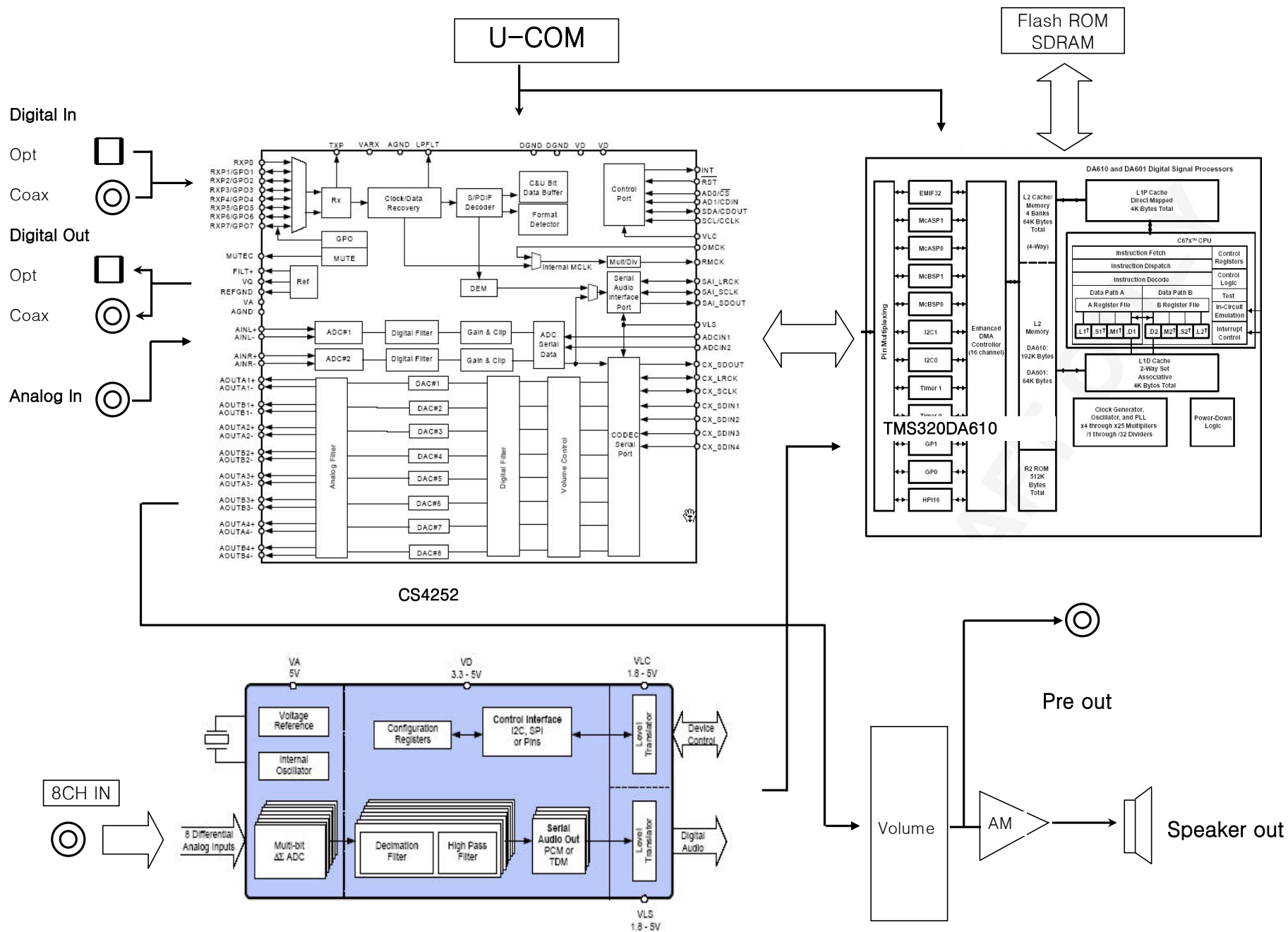


***FR CHANNEL SAME AS FL BLOCK**

(POWER PART)

Category	AV RECEIVER	Model	AVR645
Stage	Ver.	Sheet	B'D name
MP		1 / 2	BLOCK DIAGRAM
Draw	Approved	Date	Drawing No
D.H.KIM		22.May.2006.	

AVR645/445-CIRCUIT DESCRIPTION



CS4252

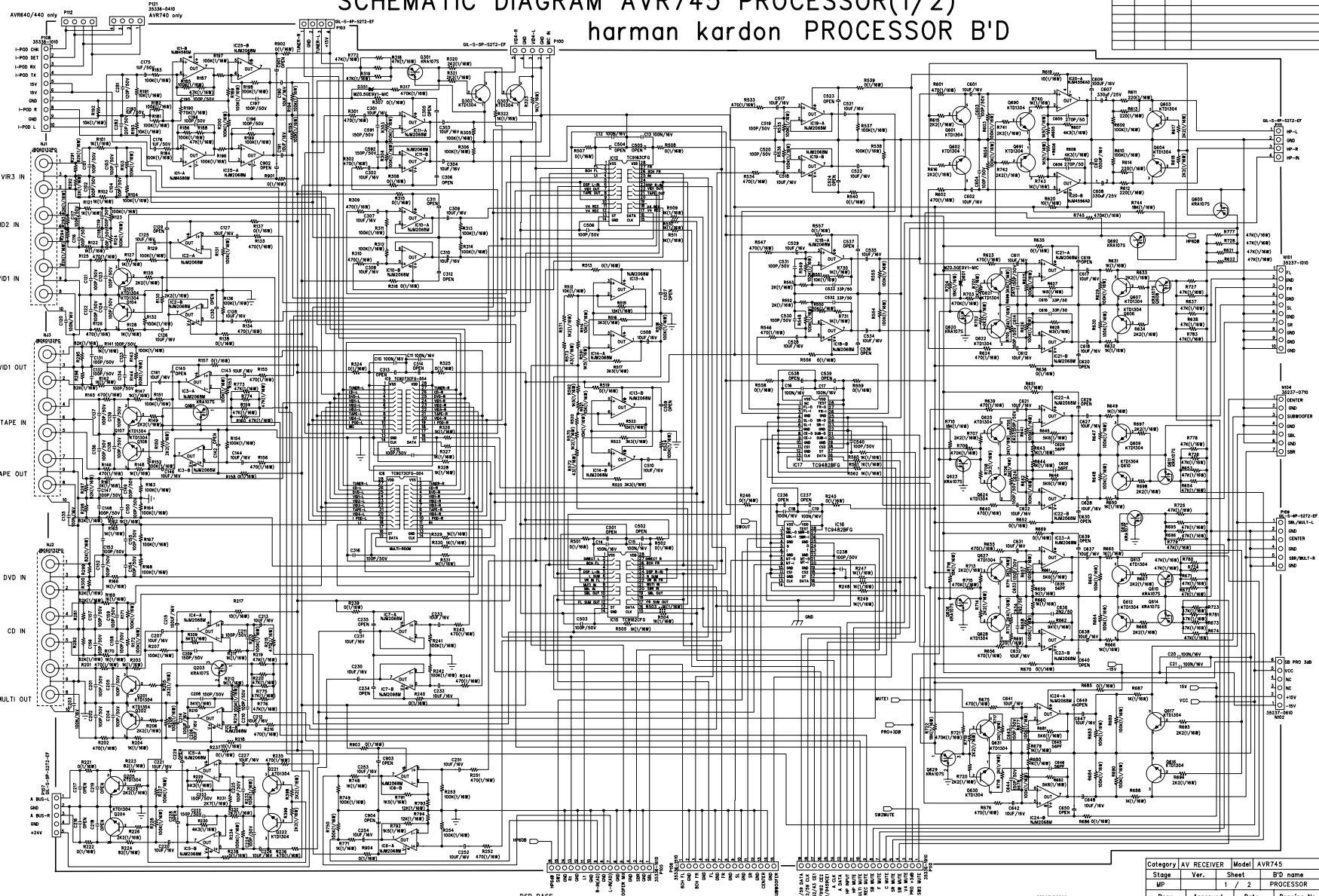
TMS320DA610

CS5368

SCHEMATIC DIAGRAM AVR745 PROCESSOR(1/2) harman kardon PROCESSOR B'D

REVISION RECORD		
No.	Date	Contents

G
F
E
D
C
B
A

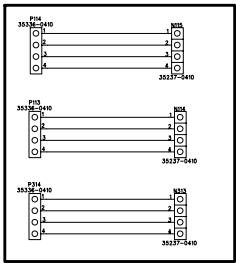
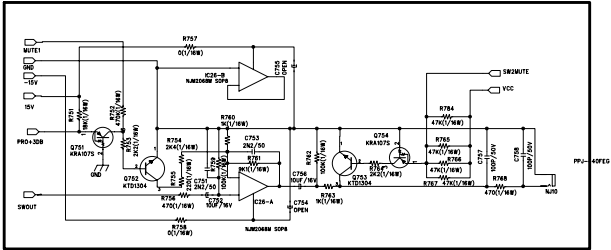


DSP PASS DIRECT PASS

Category	AV RECEIVER	Model	AVR745
Sheet	1	2	PROCESSOR
Draw	Approved	Date	Drawing No
J.S.CHOI		16 May 2006	

REVISION RECORD		
NO.	Date	Contents

SCHEMATIC DIAGRAM AVR745 PROCESSOR (2/2)
harman kardon PROCESSOR B'D



Category	AV RECEIVER	Model	AVR745
Sheet	Ver.	Sheet	B'D name
MP		2 / 2	PROCESSOR
Draw	Approved	Date	Drawing No
J.S.CHOI		16.May.2006	

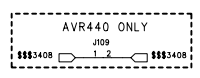
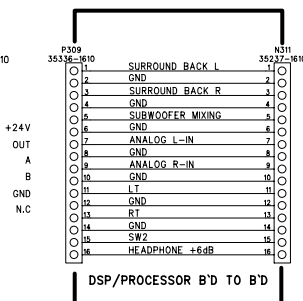
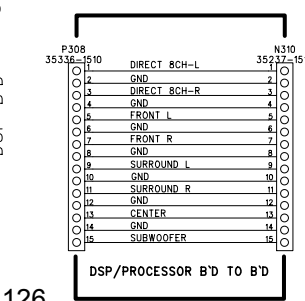
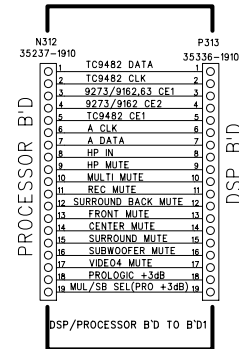
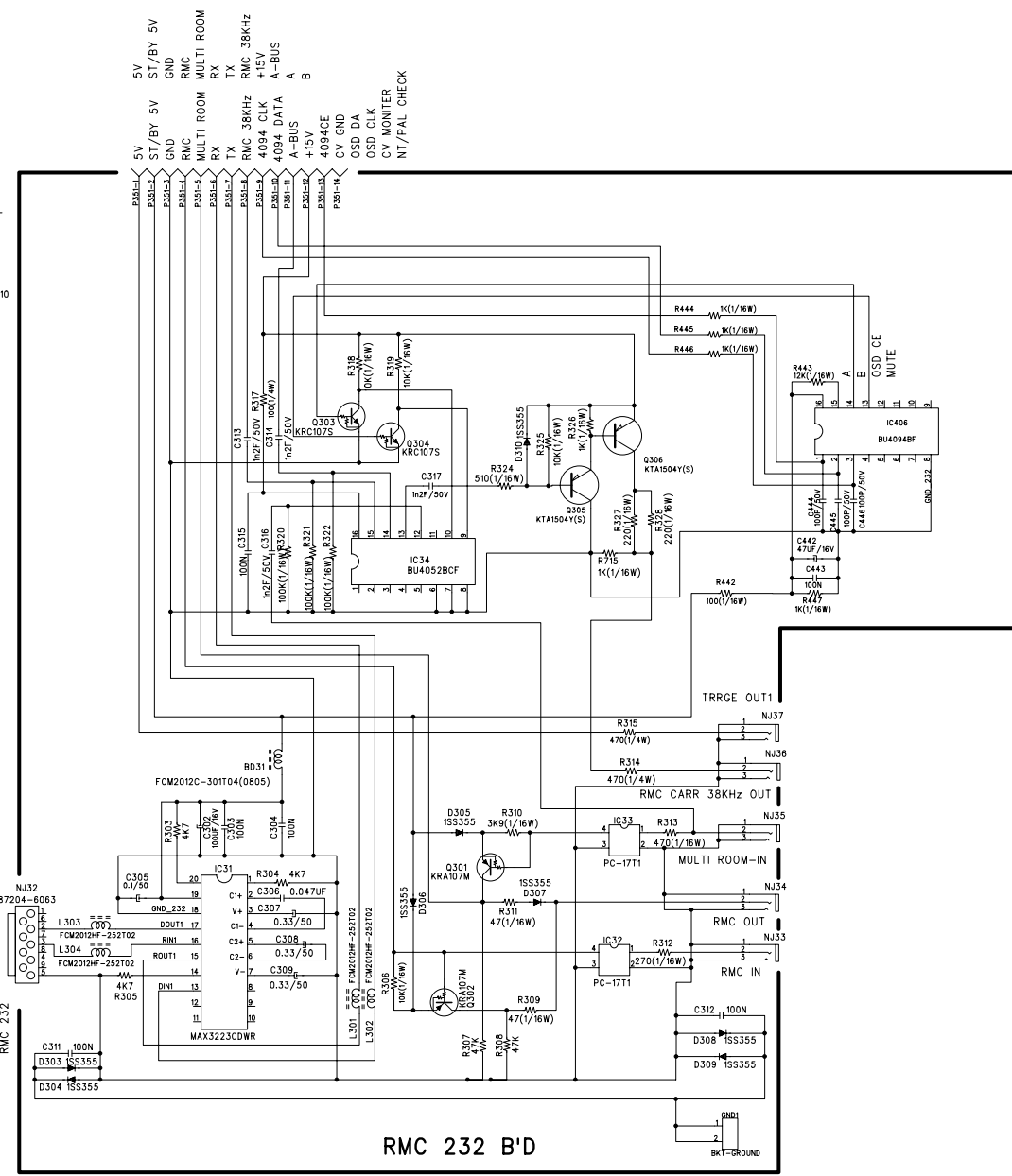
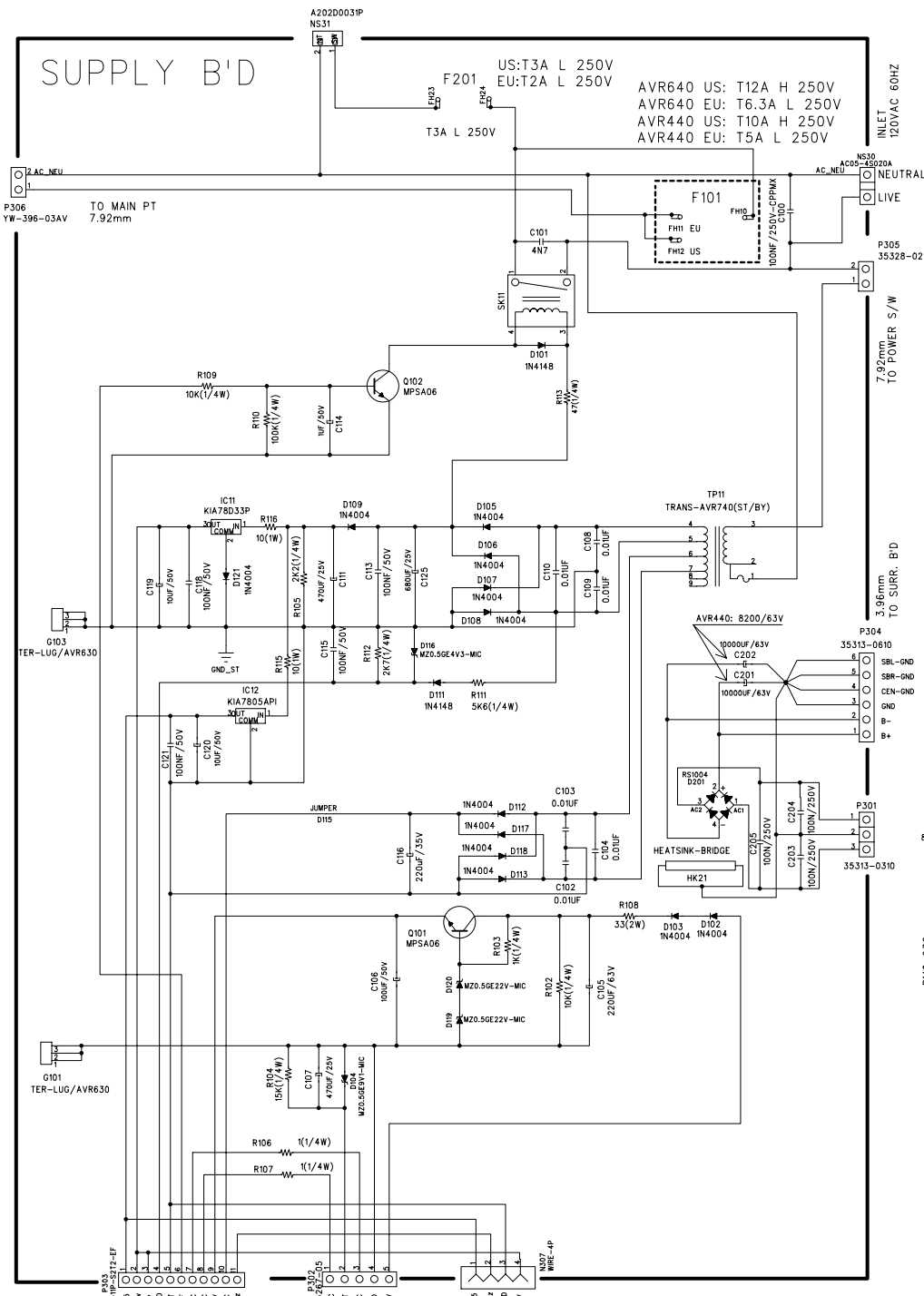
AVR645

harman/kardon

SCHEMATIC DIAGRAM AVR645-US SUPPLY & RS232
harman kardon

REVISION RECORD		
NO.	Date	Contents

G
F
E
D
C
B
A

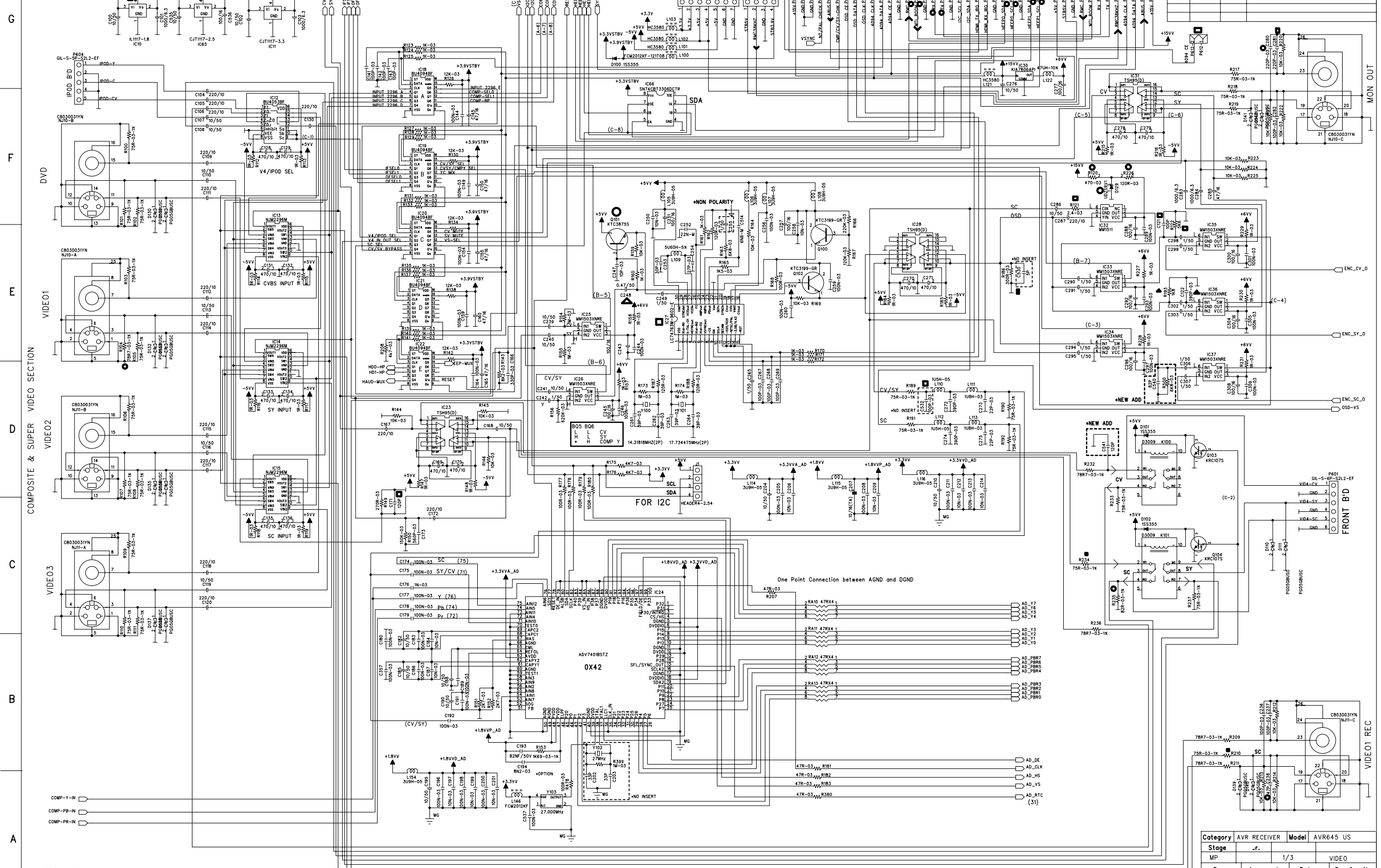


Category	A/V RECEIVER	Model	AVR645-US
Stage	Ver.	Sheet	B'D name
FTMS		1 / 1	SUPP/REGU
Draw	Approved	Date	Drawing No
S.Y. KIM		04.May.2006	

Schematic Diagram

HARMAN KARDON AVR645 VIDEO

REVISION RECORD		
NO.	Date	Contents

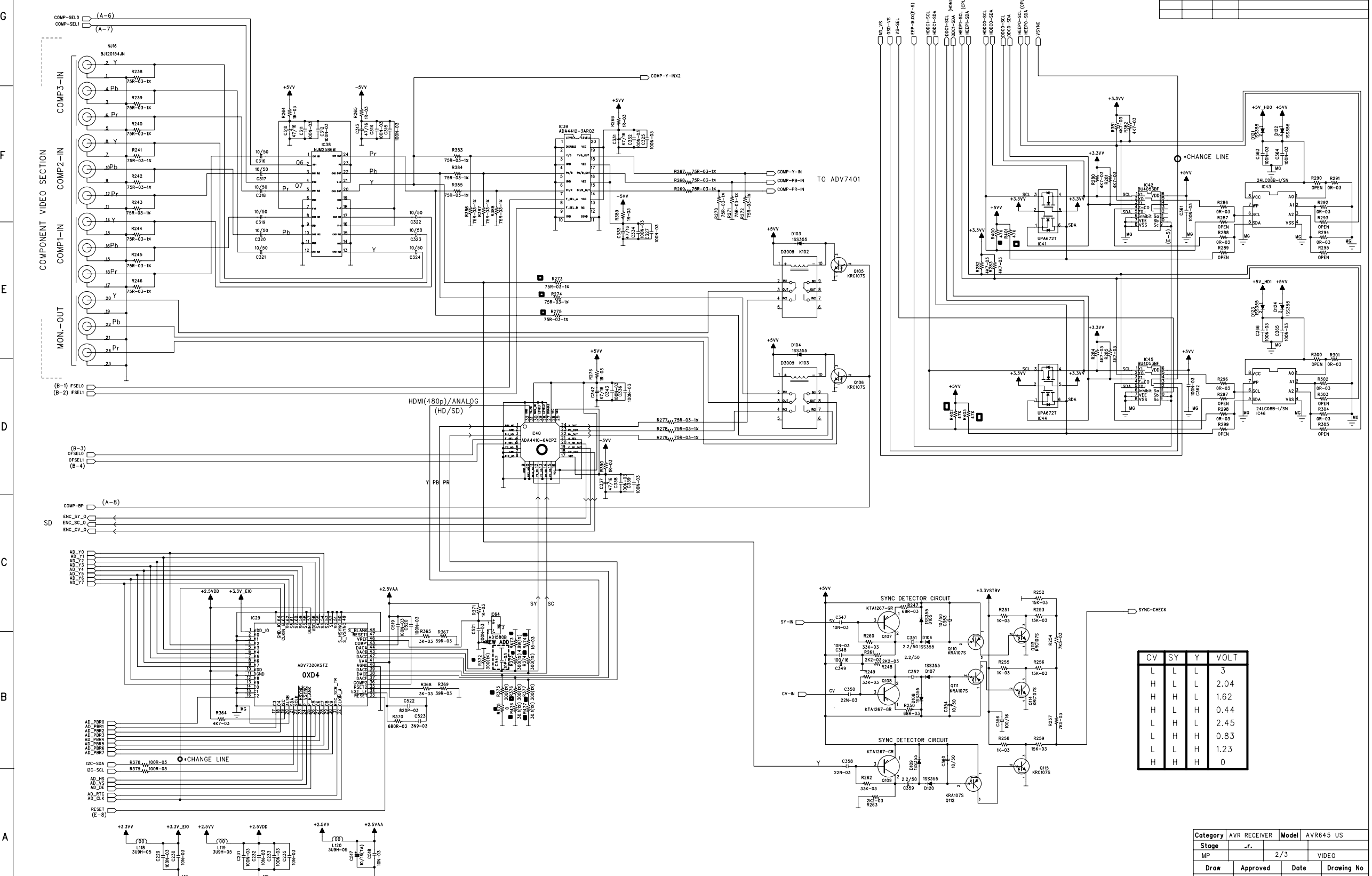


Category	AVR RECEIVER	Model	AVR645 US
Stage	.		
MP		1/3	VIDEO
Draw	Approved	Date	JUN.13.06.
Geum.J.G			

Schematic Diagram

HARMAN KARDON AVR645 VIDEO

REVISION RECORD		
NO.	Date	Contents



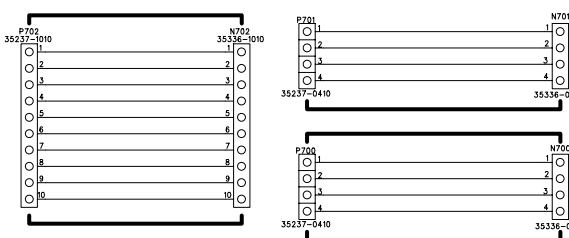
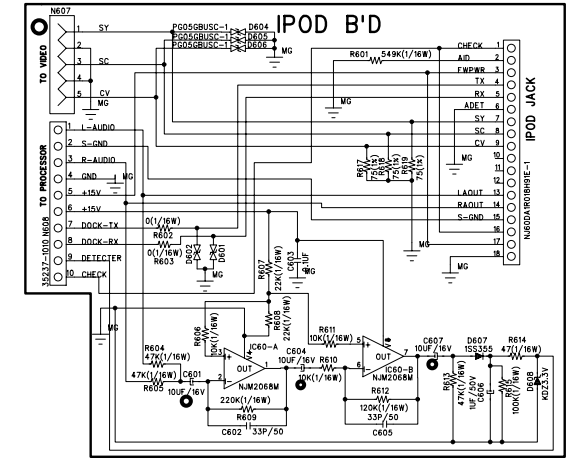
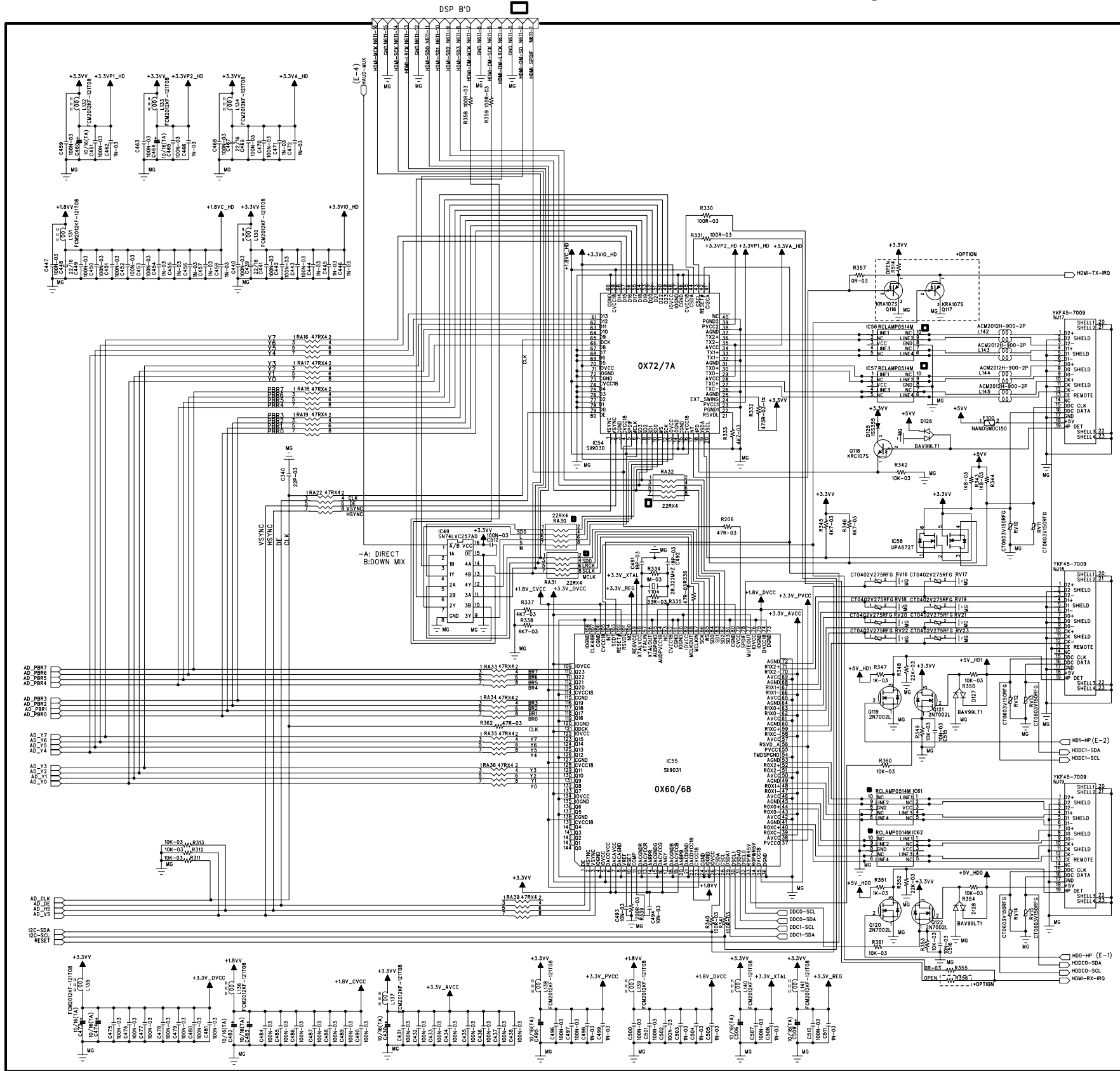
CV	SY	Y	VOLT
L	L	L	3
H	L	L	2.04
H	L	L	1.62
H	L	H	0.44
L	L	L	2.45
L	H	H	0.83
L	H	H	1.23
H	H	H	0

Category	AVR RECEIVER	Model	AVR645 US
Stage	.r.		
MP		2/3	VIDEO
Draw	Approved	Date	Drawing No
GEUM.J.G		JUN.13.06.	

Schematic Diagram

HARMAN KARDON
AVR645 VIDEO

REVISION RECORD		
NO.	Date	Contents



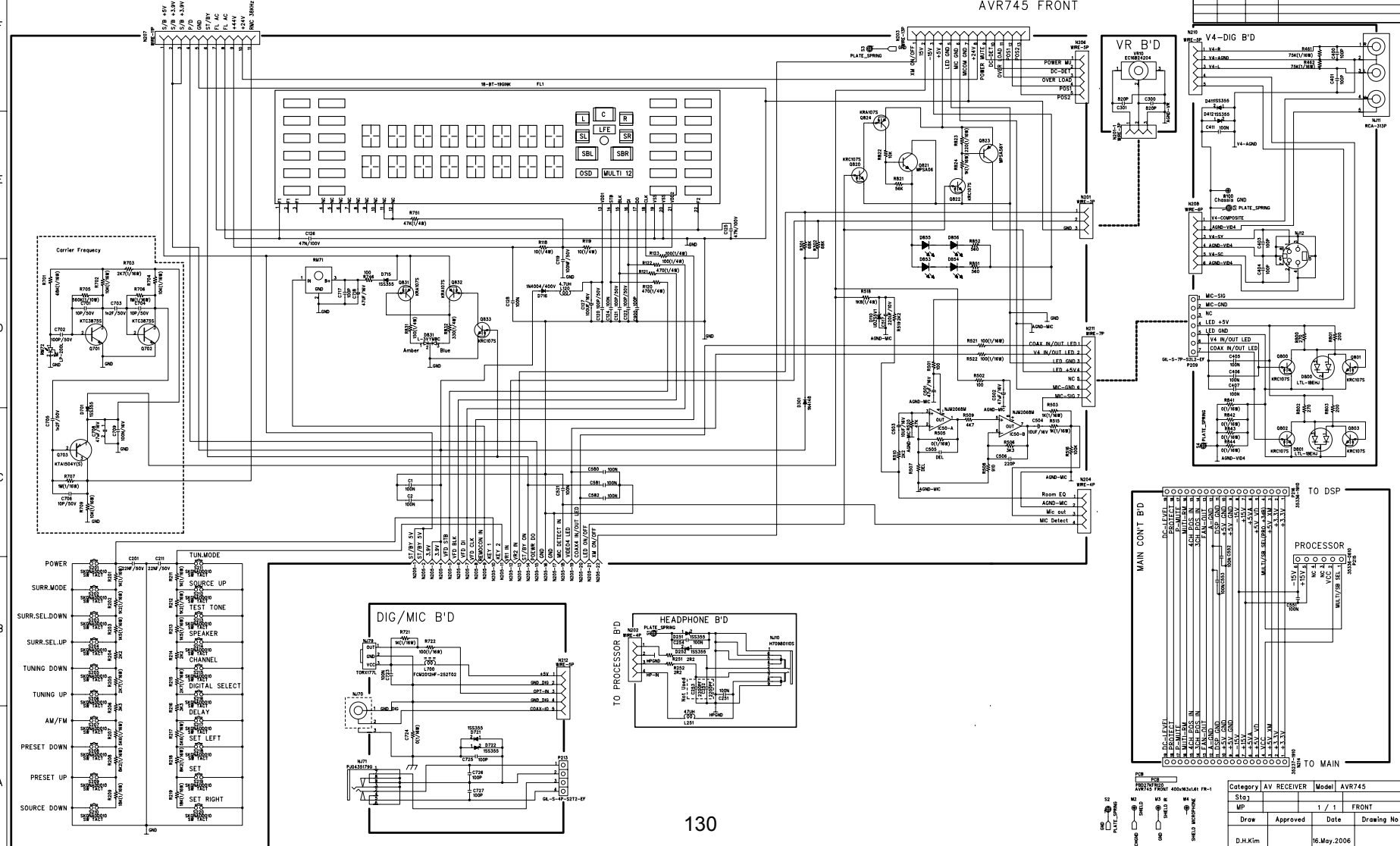
Category	AVR RECEIVER	Model	AVR645 US
Stage	-.		
MP		3/3	VIDEO
Draw	Approved	Date	JUN.13.06.
	GEUM,J.G		

10 9 8 7 6 5 4 3 2 1

SCHEMATIC DIAGRAM

harman/kardon
AVR745 FRONT

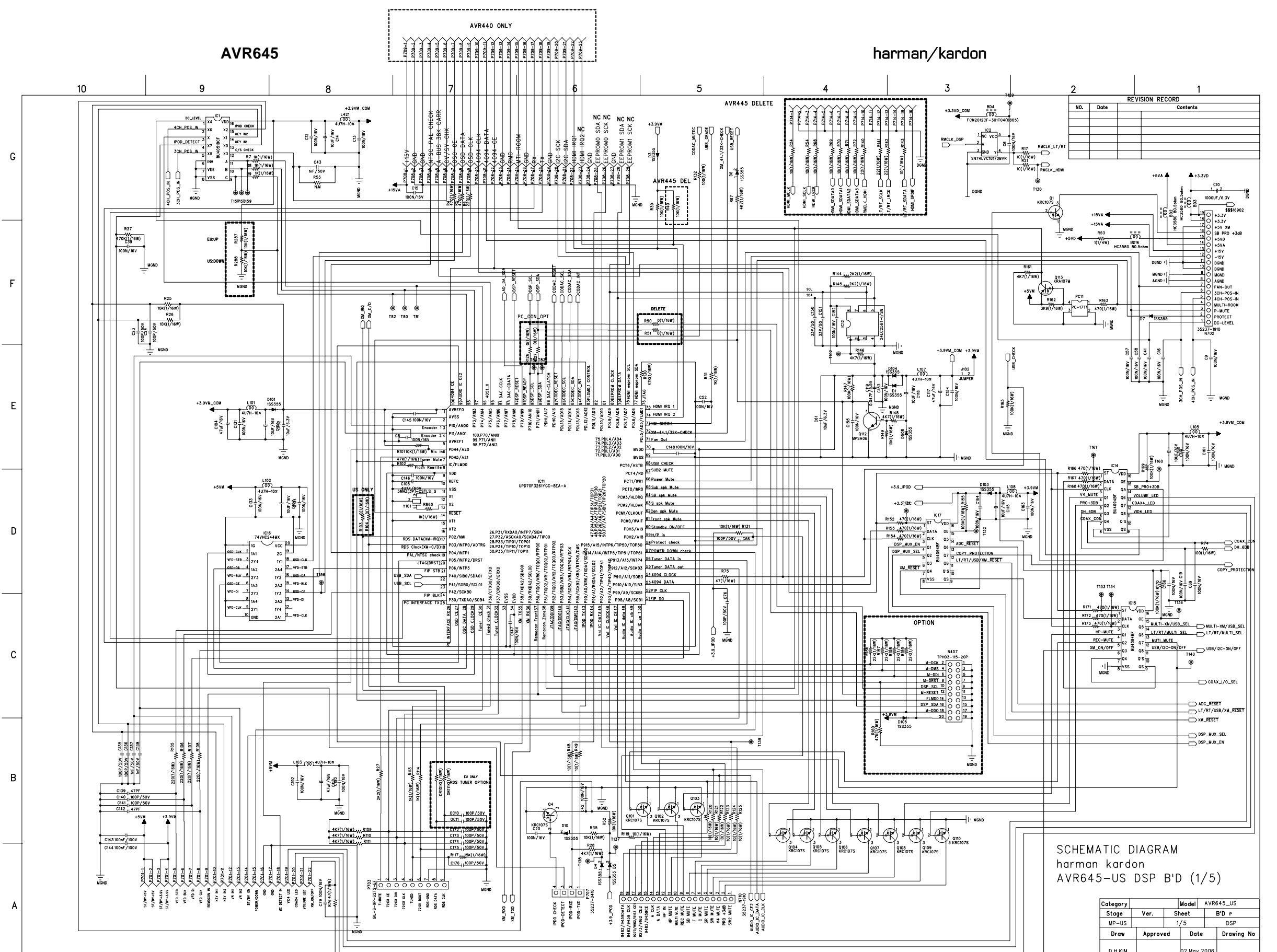
REVISION RECORD		
NO.	Date	Contents



Category	AV RECEIVER	Model	AVR745
MP	1	FRONT	
Draw	Approved	Date	Drawing No.
D.H.Kim		16.May.2006	

AVR645

harman/kardon

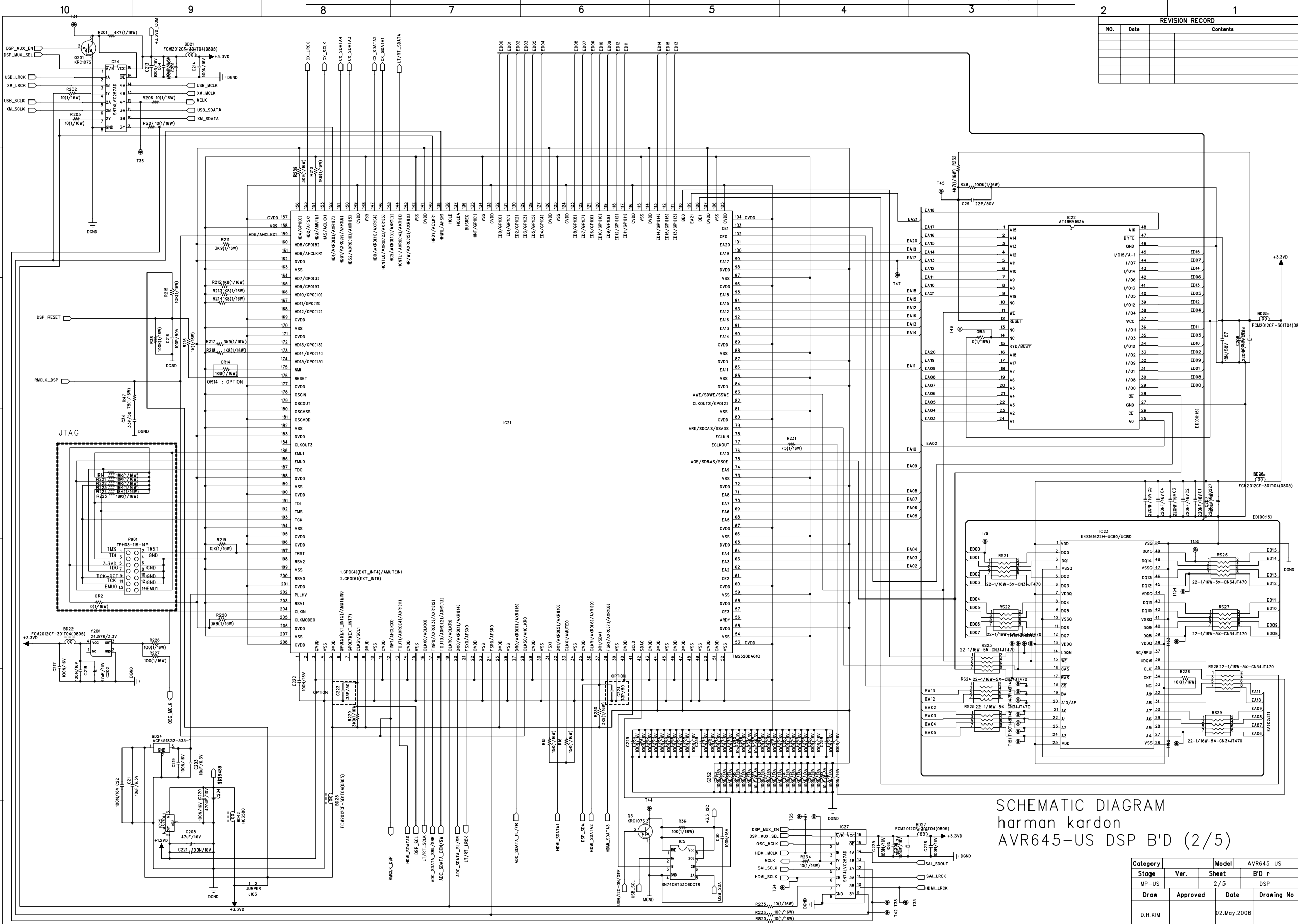


SCHMATIC DIAGRAM
harman kardon
AVR645-US DSP B'D (1/5)

Category	Stage	Ver.	Sheet	Model	AVR645_US
	MP-US		1/5		DSP
Draw	Approved		Date		Drawing No
D.H.KIM			02.May.2006		

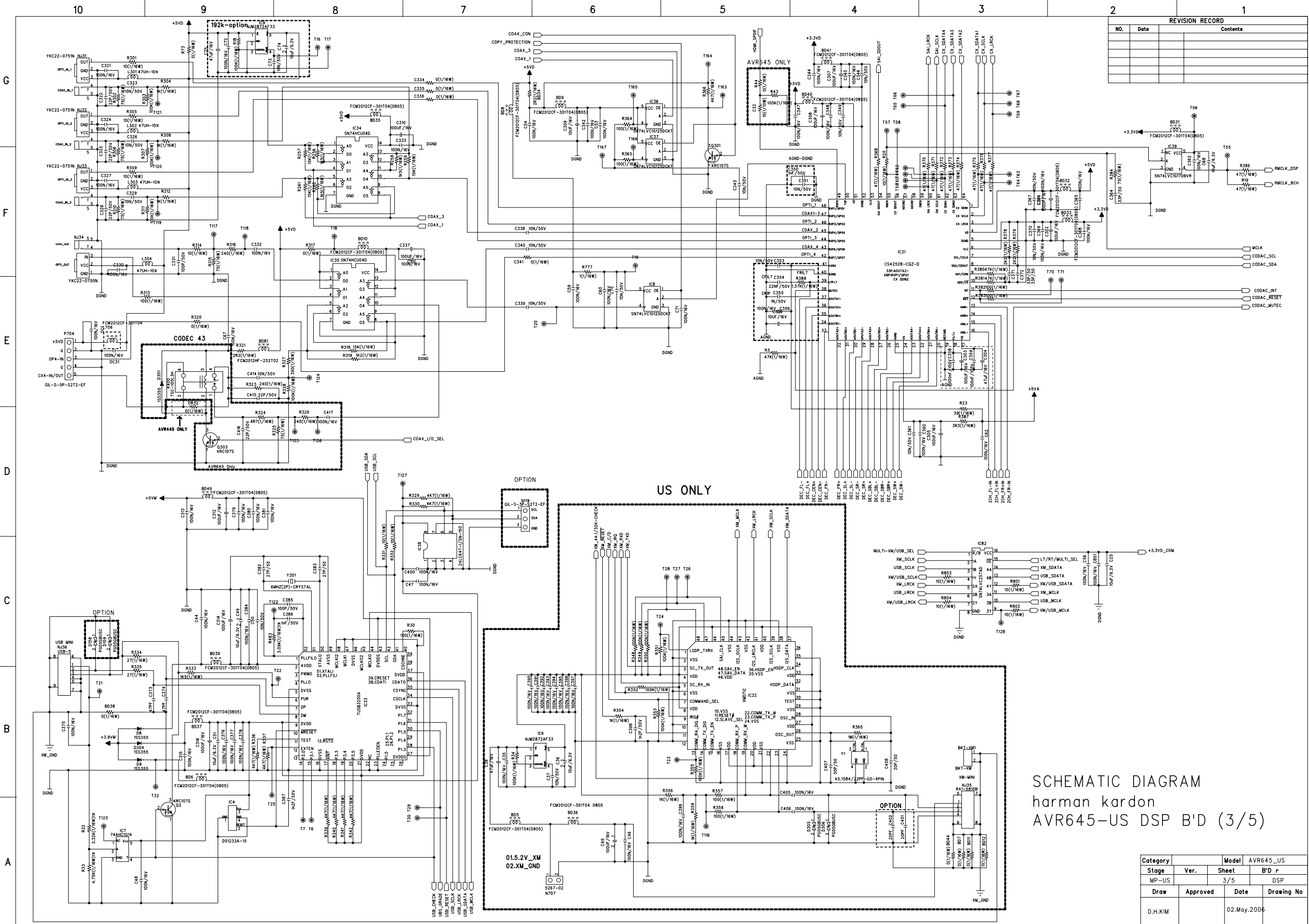
REVISION RECORD		
NO.	Date	Contents

G
F
E
D
C
B
A



SCHEMATIC DIAGRAM
harman kardon
AVR645-US DSP B'D (2/5)

Category	Model	AVR645_US
Stage	Ver.	B'D r
MP-US	Sheet	2/5
Draw	Approved	Date
D.H.KIM		02.May.2006
		Drawing No



REVISION RECORD		
NO.	Date	Contents

SCHEMATIC DIAGRAM
harman kardon
AVR645-US DSP B'D (3/5)

Category	Model	AVR645_US
Stage	Ver.	Sheet
MP-Us		3/5
Draw	Approved	Date
		DSP
		Drawing No
D.H.KIM		02.May.2006

10

9

8

7

6

5

4

3

2

1

REVISION RECORD		
NO.	Date	Contents

G

F

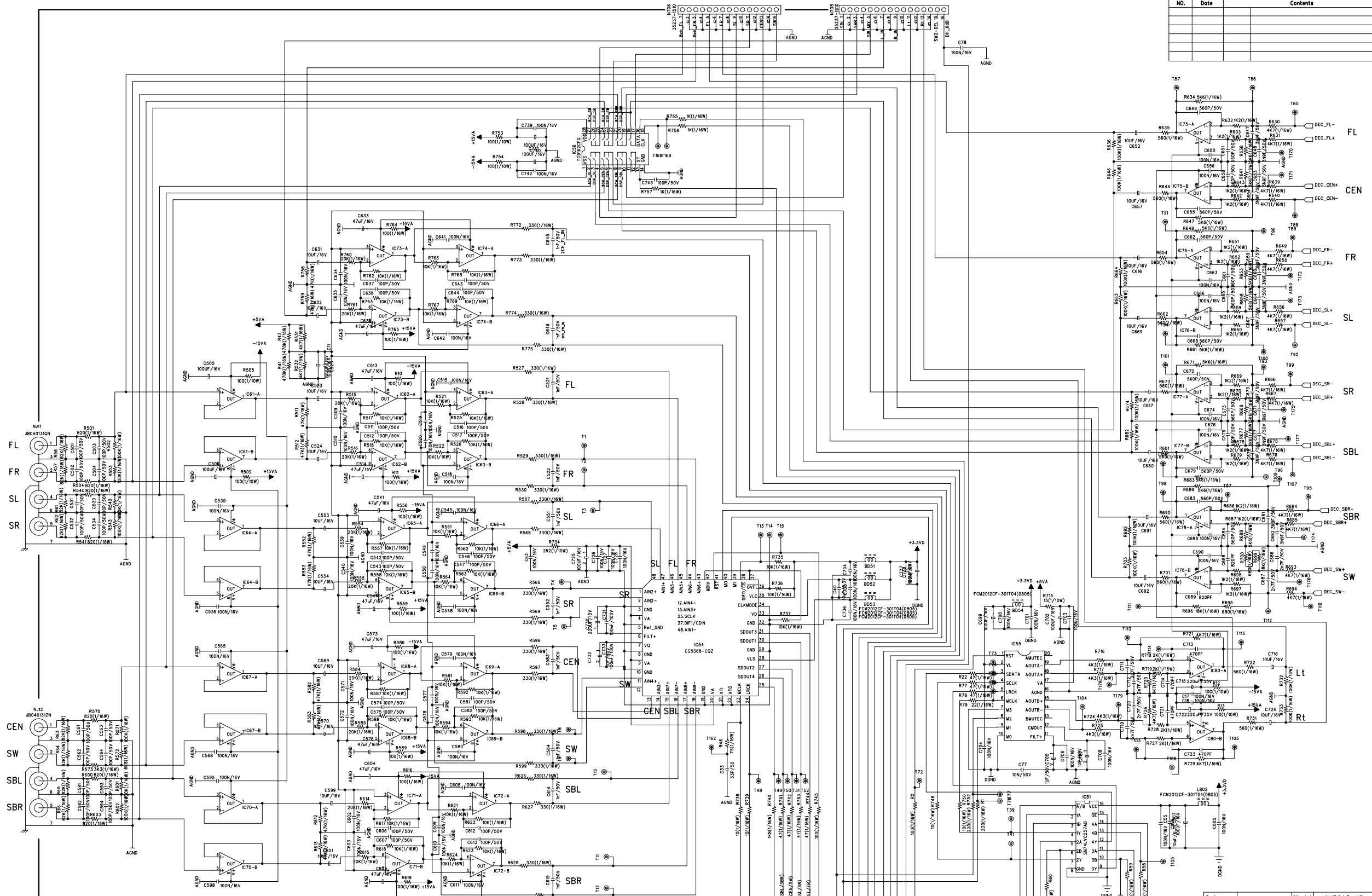
E

D

C

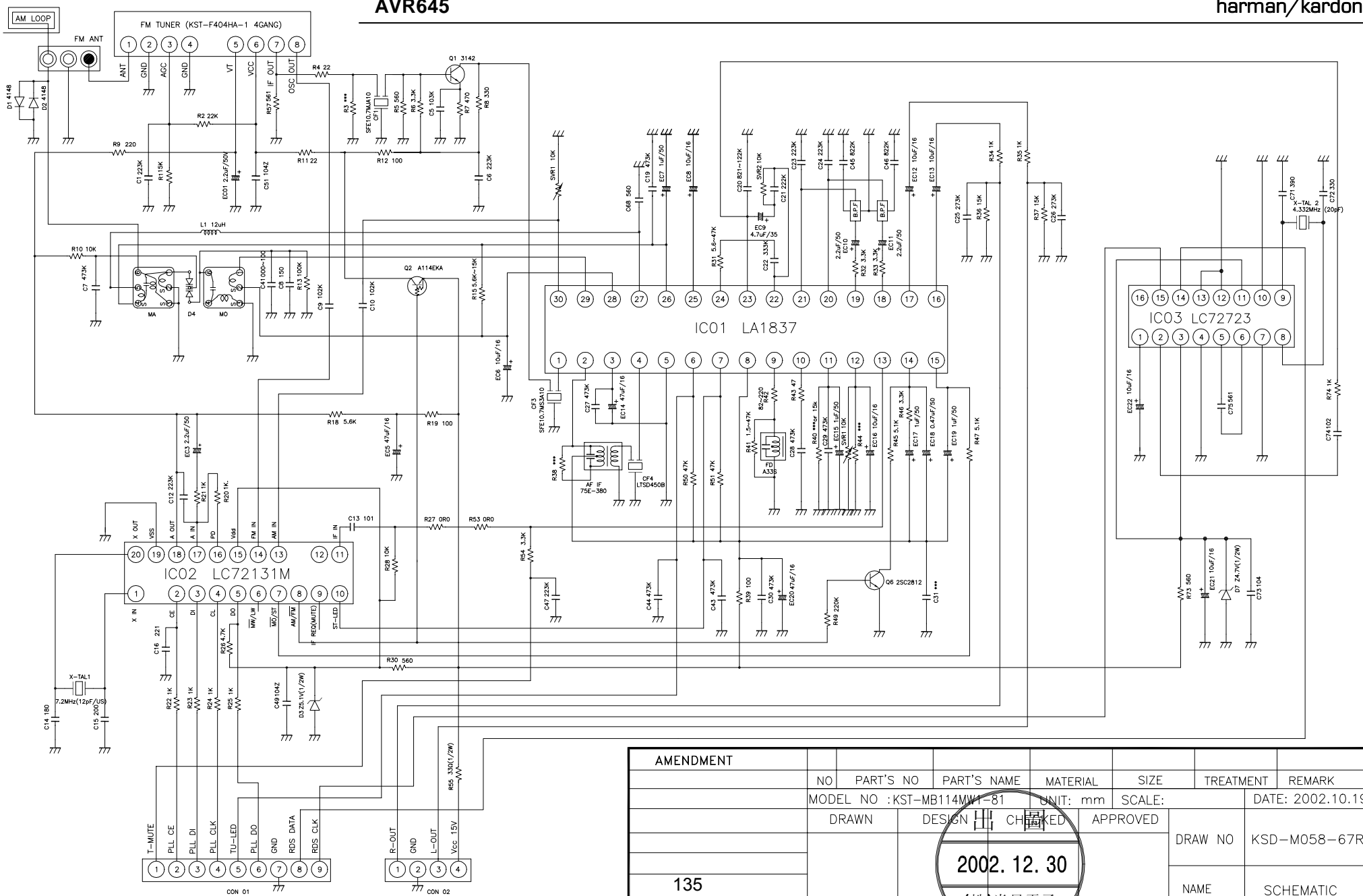
B

A



SCHEMATIC DIAGRAM
 harman kardon
 AVR645-US DSP B'D (4/5) 134

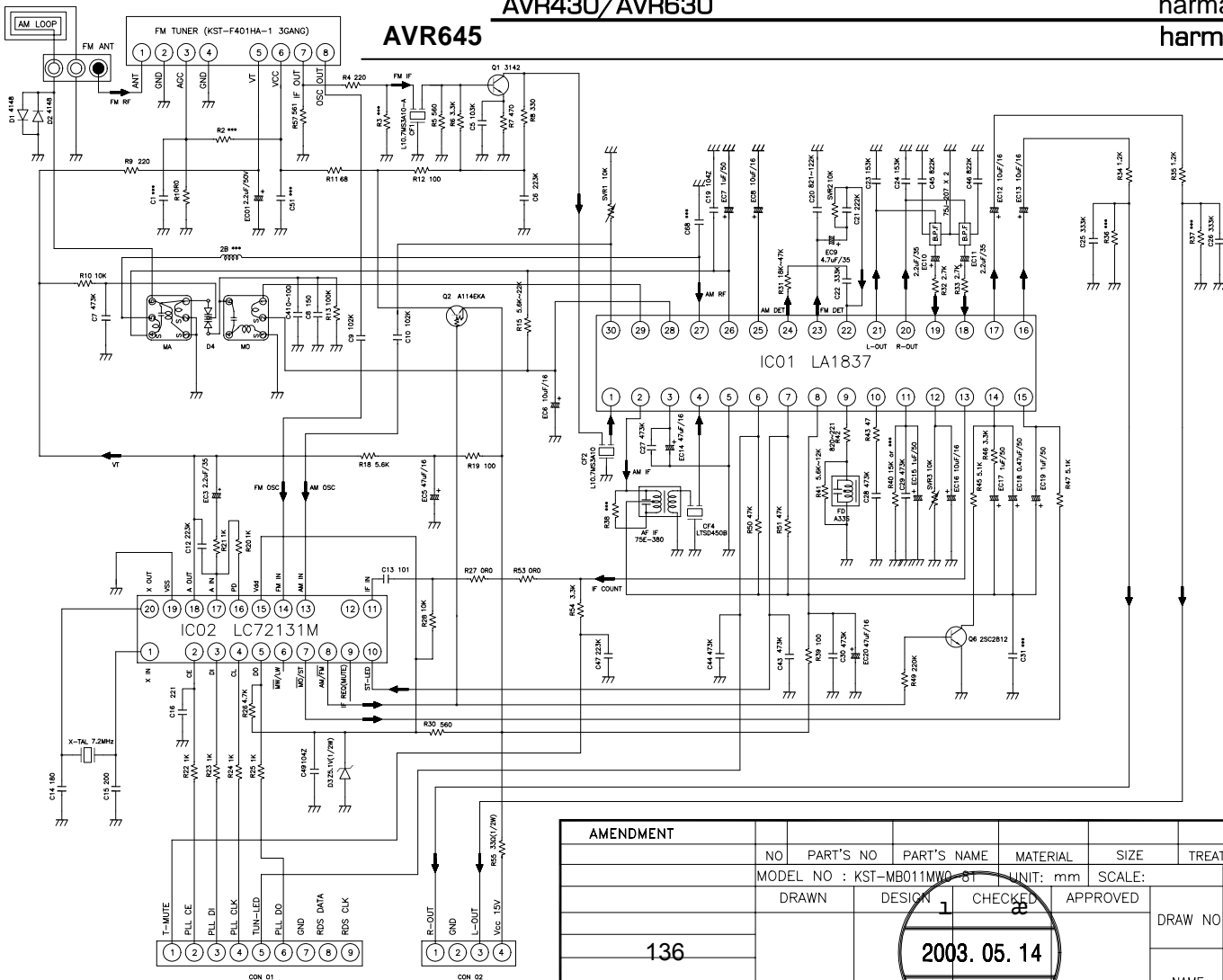
Category	Model	AVR645-US	
Stage	Ver.	Sheet	B'D r
MP-US		4/5	DSP
Draw	Approved	Date	Drawing No
D.H.KIM		02.May.2006	



AMENDMENT							
NO	PART'S NO	PART'S NAME	MATERIAL	SIZE	TREATMENT	REMARK	
MODEL NO :KST-MB114MM-81			UNIT: mm	SCALE:	DATE: 2002.10.19		
DRAWN		DESIGN		CHECKED		APPROVED	
135					DRAW NO	KSD-M058-67RS	
					NAME	SCHEMATIC DIAGRAM	

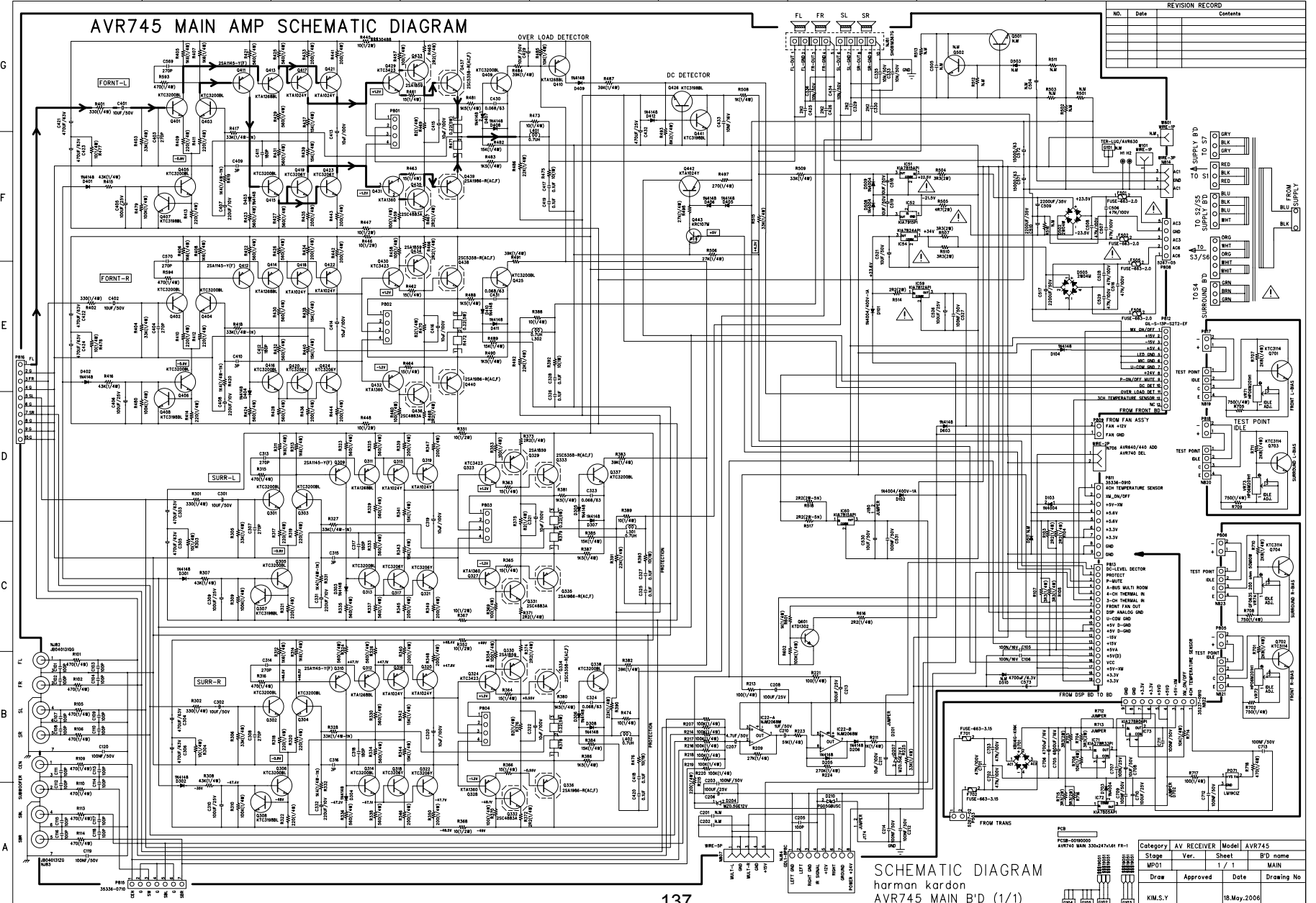
2002. 12. 30
(株)光星電子

AVR645



AMENDMENT											
NO	PART'S NO	PART'S NAME	MATERIAL	SIZE	TREATMENT	REMARK					
	MODEL NO : KST-MB011M10-81						UNIT: mm	SCALE:			DATE: 2002.09.06
	DRAWN	DESIGN	CHECKED	APPROVED			DRAW NO	KSD-M058-672			
			1	⊗	2003.05.14		NAME	SCHEMATIC DIAGRAM			

AVR745 MAIN AMP SCHEMATIC DIAGRAM



REVISION RECORD	
No.	Date

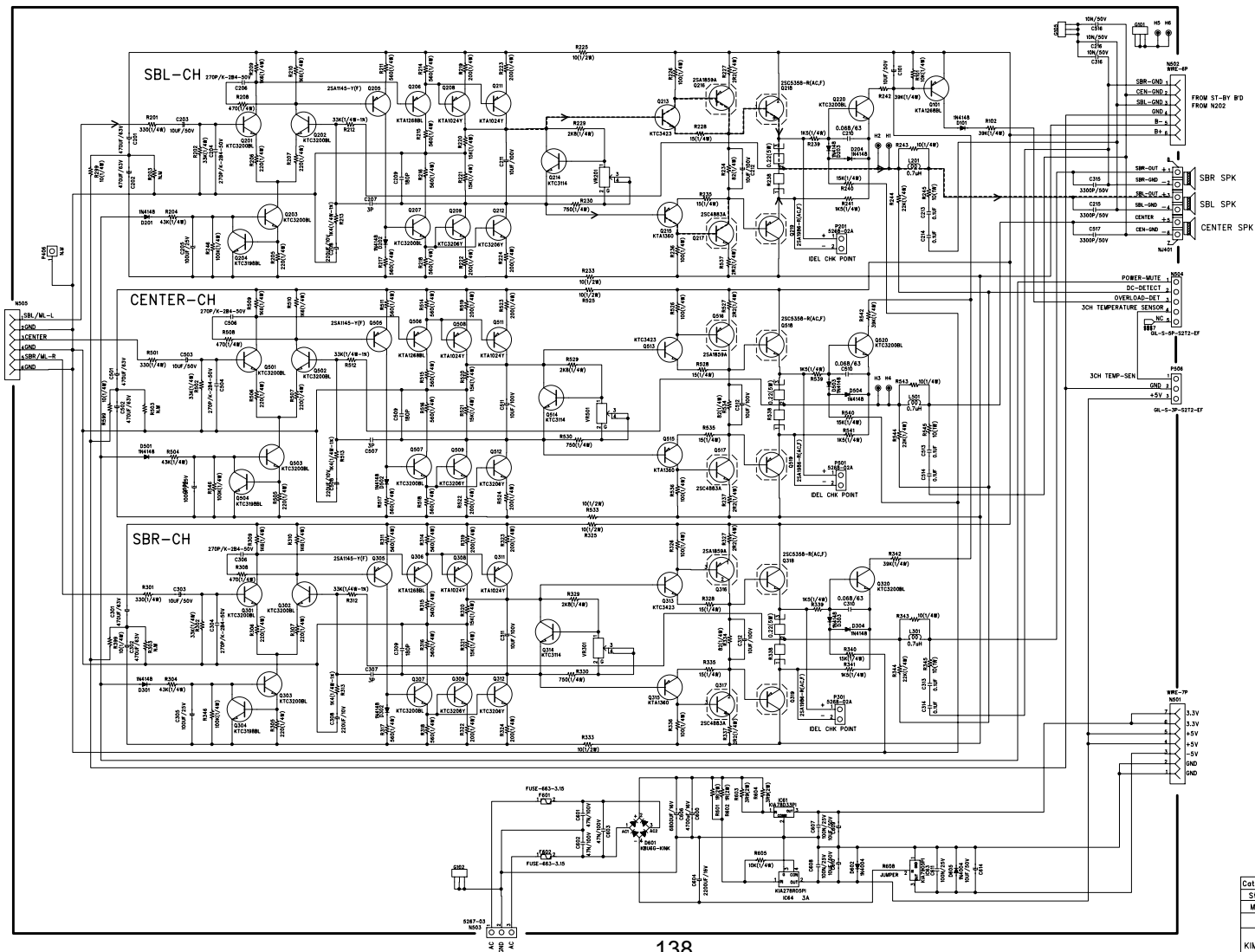
SCHEMATIC DIAGRAM
 harman kardon
 AVR745 MAIN B'D (1/1)

Category	AV RECEIVER	Model	AVR745
Slope	Ver.	Sheet	B'D name
MP01		1 / 1	MAIN
Draw	Approved	Date	Drawing No
KIM.S.Y		18 May 2006	

REVISION RECORD		
NO.	Date	Contents

SCHEMATIC DIAGRAM AVR745 CENTER SB AMP B'D

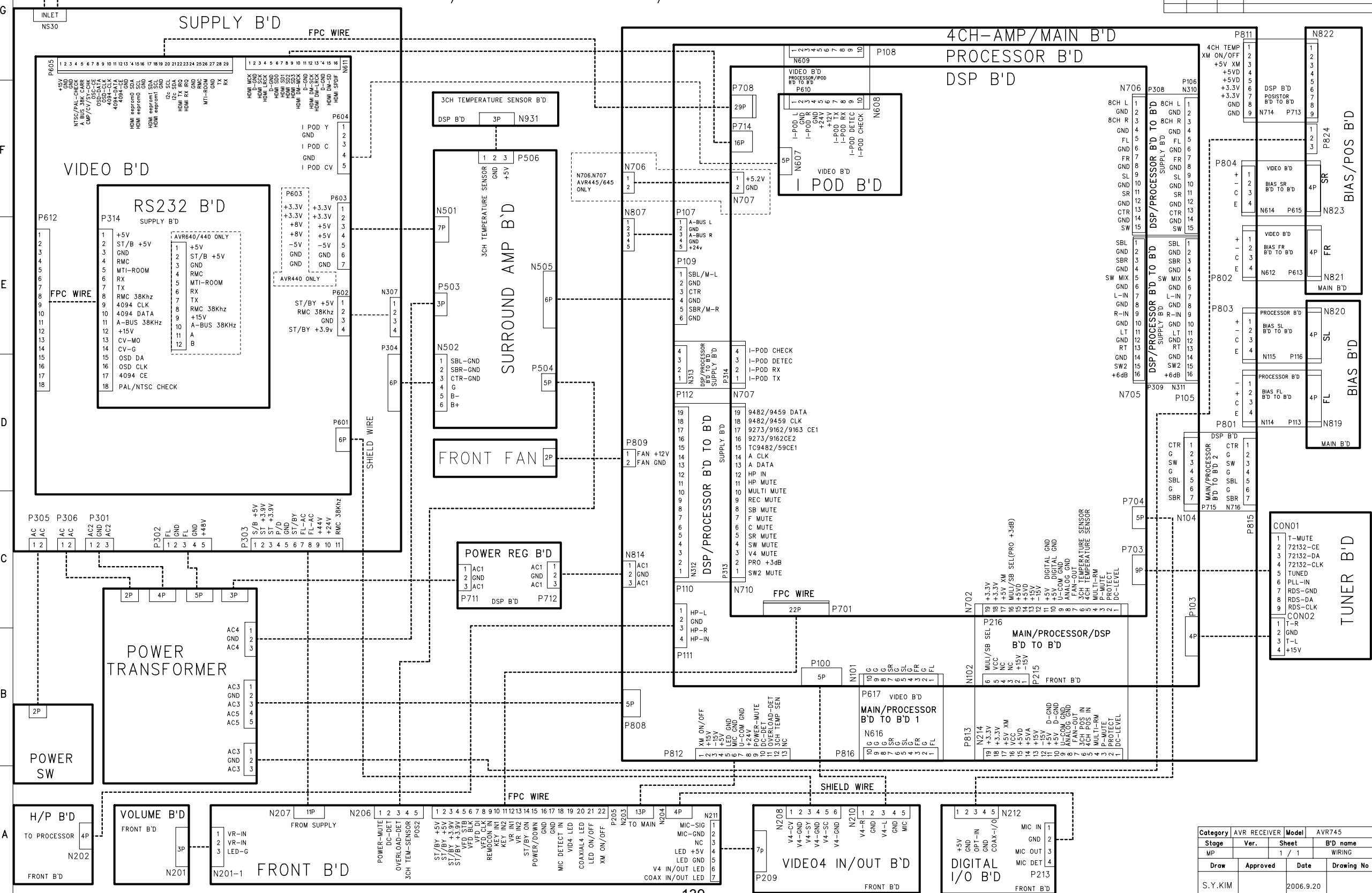
harman kardon



Category	AV RECEIVER	Model	AVR745
Stage	MP01	Sheet	1 / 1
Draw	Approved	Date	16.May.2006
KIM.S.Y			Drawing No

H/K AVR745/645 WIRING DIAGRAM

REVISION RECORD		
NO.	Date	Contents



Category	AVR RECEIVER	Model	AVR745
Stage	Ver.	Sheet	B'D name
MP		1 / 1	WIRING
Draw	Approved	Date	Drawing No
S.Y.KIM		2006.9.20	