

harman/kardon

# AVR7000

A/V DOLBY DIGITAL RECEIVER

## PRELIMINARY SERVICE MANUAL



### CONTENTS

ESD WARNING.....	2	TROUBLESHOOTING GUIDE.....	27
LEAKAGE TESTING.....	3	UNIT EXPLODED VIEW.....	28
BASIC SPECIFICATIONS.....	4	EXPLODED VIEW.....	29
DETAILED SPECIFICATIONS.....	5	BLOCK DIAGRAM.....	30
FRONT PANEL CONTROLS.....	13	PCB DRAWINGS.....	31
REAR PANEL CONNECTIONS.....	15	MECHANICAL PARTS LIST.....	47
REMOTE CONTROL FUNCTIONS.....	17	ELECTRICAL PARTS LIST.....	67
SERVICE BULLETINS/TECH TIPS.....	20	SCHEMATICS.....	70
IDLE CURRENT ADJUST.....	23	WIRING DIAGRAM.....	94
TUNER ALIGNMENT.....	24	PACKAGE.....	95

harman/kardon, Inc.  
250 Crossways Park Dr.  
Woodbury, New York 11797

Rev1 – 11/2000

# ELECTROSTATICALLY SENSITIVE (ES) DEVICES

Some semiconductor (solid state) devices can be damaged easily by static electricity. Such components commonly are called Electrostatically Sensitive (ES) Devices. Examples of typical ES devices are integrated circuits and some field effect transistors and semiconductor "chip" components.

The following techniques should be used to help reduce the incidence of component damage caused by static electricity.



1. Immediately before handling any semiconductor component or semiconductor-equipped assembly, drain off any electrostatic charge on your body by touching a known earth ground. Alternatively, obtain and wear a commercially available discharging wrist strap device, which should be removed for potential shock reasons prior to applying power to the unit under test.
2. After removing an electrical assembly equipped with ES devices, place the assembly on a conductive surface such as aluminum foil, to prevent electrostatic charge build-up or exposure of the assembly.
3. Use only a grounded-tip soldering iron to solder or unsolder ES devices.
4. Use only an anti-static solder removal device. Some solder removal devices not classified as "anti-static" can generate electrical charges sufficient to damage ES devices.
5. Do not use freon-propelled chemicals. These can generate electrical change sufficient to damage ES devices.
6. Do not remove a replacement ES device from its protective package until immediately before you are ready to install it. (Most replacement ES devices are packaged with leads electrically shorted together by conductive foam, aluminum foil or comparable conductive material.)
7. Immediately before removing the protective material from the leads of a replacement ES device, touch the protective material to the chassis or circuit assembly into which the device will be installed.

**CAUTION** : Be sure no power is applied to the chassis or circuit, and observe all other safety precautions.

8. Minimize bodily motions when handling unpackaged replacement ES devices. (Otherwise harmless motion such as the brushing together of your clothes fabric or the lifting of your foot from a carpeted floor can generate static electricity sufficient to damage an ES devices.

## PRODUCT SAFETY NOTICE

Each precaution in this manual should be followed during servicing.

Components identified with the IEC symbol  in the parts list are special significance to safety. When replacing a component identified with , use only the replacement parts designated, or parts with the same ratings or resistance, wattage, or voltage that are designated in the parts list in this manual. Leakage-current or resistance measurements must be made to determine that exposed parts are acceptably insulated from the supply circuit before returning the product to the customer.

# LEAKAGE TEST(FOR SERVICE ENGINEERS IN THE U.S.A)

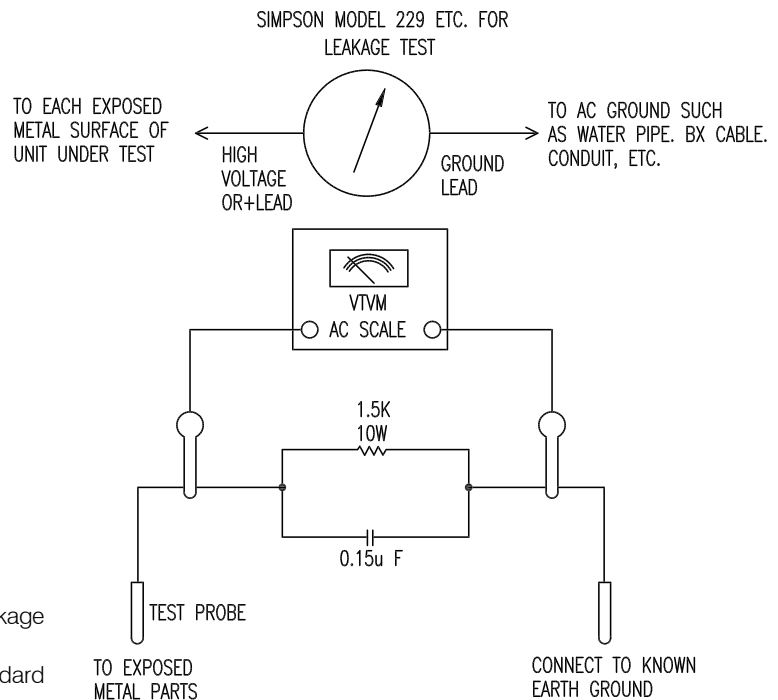
Before returning the unit to the user, perform the following safety checks :

1. Inspect all lead dress to make certain that leads are not pinched or that hardware is not lodged between the chassis and other metal parts in the unit.

2. Be sure that any protective devices such as nonmetallic control knobs, insulating fish-papers, cabinet backs, adjustment and compartment covers or shields, isolation resistor-capacity networks, mechanical insulators, etc. Which were removed for the servicing are properly re-installed.

3. Be sure that no shock hazard exists ; check for leakage current using Simpson Model 229 Leakage Tester, standard equipment item No. 21641, RCA Model WT540A or use alternate method as follows : Plug the power cord directly into a 120 volt AC receptacle (do not use an Isolation Transformer for this test). Using two clip leads, connect a

1500 ohms, 10watt Resistor paralleled by a 0.15uF capacitor, in series with all exposed metal cabinet parts and a known earth ground, such as a water pipe or conduit. Use a VTVM or VOM with 1000 ohms per volt, or higher sensitivity to measure the AC voltage drop across the resistor. (See diagram) Move the resistor connection to each exposed metal part having a return path to the chassis (antenna, metal, cabinet, screw heads, knobs and control shafts, escutcheon, etc.) and measure the AC voltage drop across the resistor. (This test should be performed with the 0.35 volt RMS or more is excessive and indicates a potential shock hazard which must be corrected before returning the unit to the owner.



# Technical Specifications

## Audio Section

Stereo Mode

Continuous Average Power (FTC)

110 Watts per channel, 20Hz–20kHz,  
@ < 0.07% THD, both channels driven into 8 ohms

Five-Channel Surround Modes

Power Per Individual Channel

Front L&R channels:  
100 Watts per channel,  
@ < 0.07% THD, 20Hz–20kHz into 8 ohms

Center channel:  
100 Watts, @ < 0.07% THD, 20Hz–20kHz into 8 ohms

Surround channels:  
100 Watts per channel,  
@ < 0.07% THD, 20Hz–20kHz into 8 ohms

Input Sensitivity/Impedance

Linear (High Level) 200mV/47kohms

Signal-to-Noise Ratio (IHF-A) 95dB

Surround System Adjacent Channel Separation

Analog Decoding 40dB

(Pro Logic, etc.)

Dolby Digital (AC-3) 55dB

DTS 55dB

Frequency Response

@ 1W (+0dB, -3dB) 10Hz–100kHz

High Instantaneous

Current Capability (HCC) ±75 Amps

Transient Intermodulation

Distortion (TIM) Unmeasurable

Rise Time 16 µsec

Slew Rate 40V/µsec

## FM Tuner Section

Frequency Range	87.5–108MHz
Usable Sensitivity	IHF 1.3 µV/13.2dB
Signal-to-Noise Ratio	Mono/Stereo 70/68dB
Distortion	Mono/Stereo 0.2/0.3%
Stereo Separation	40dB @ 1kHz
Selectivity	±400kHz, 65dB
Image Rejection	80dB
IF Rejection	90dB
Tuner Output Level	1kHz, ±75kHz Dev 500mV

## AM Tuner Section

Frequency Range	520–1720kHz
Signal-to-Noise Ratio	45 dB
Usable Sensitivity	Loop 500µV
Distortion	1kHz, 50% Mod 0.8%
Selectivity	±10kHz, 30dB

## Video Section

Video Format	NTSC
Input Level/Impedance	1Vp-p/75 ohms
Output Level/Impedance	1Vp-p/75 ohms
Video Frequency Response	5Hz–10MHz (-3dB)

## General

Power Requirement	AC 120V/60Hz
Power Consumption	125W idle, 1100W maximum (2 channels driven)

Dimensions (Max)

Width	17.3 inches (440mm)
Height	7.62 inches (193mm)
Depth	20.43 inches (519mm)
Weight	49 lb (22.3 kg)

Depth measurement includes knobs, buttons and terminal connections.  
Height measurement includes feet and chassis.  
All features and specifications are subject to change without notice.

Harman Kardon is a registered trademark, and Power for the digital revolution is a trademark, of Harman International Industries, Inc.

\*Manufactured under license from Dolby Laboratories.  
“Dolby,” “Pro Logic,” “AC-3” and the Double-D symbol are trademarks of Dolby Laboratories. Confidential Unpublished Works. ©1992–1999 Dolby Laboratories, Inc. All rights reserved.

†DTS and DTS Surround are trademarks of Digital Theater Systems, Inc.

††UltraStereo is a trademark of UltraStereo Corp.

VMAx is a trademark of Harman International Industries, Inc., and is an implementation of Cooper Bauck Transaural Stereo under patent license.

Logic 7 is a registered trademark of Lexicon, Inc.

HDCD is a registered trademark of Pacific Microsonics.

Crystal is a registered trademark of Cirrus Logic Corp.



# DETAILED SPECIFICATION FOR RECEIVER AVR7000 (120V)

## PARAMETERS

Measuring methods are based on IHF and IEC standard 268-3

Measurement conditions, unless otherwise noted :

Output resistive load = (8) ohms / All channels loaded.

Tone Off or Tone(Bass,Treble), Balance, EQ control : Center Position , Other SW's : OFF, Volume:Max

Nominal input level : 200mV for general purpose inputs

Power figures should be kept minimum 10min., between 15 and 35 °C

Terminator : 1kohm for general purpose inputs

All Voltage Measurements are made with RMS detector, unless otherwise specified.

Filter : IHF-A filter

R/O = Rated Output, which is 100 W into 8 ohm resistive load, for both Stereo and 6 CH DIRECT inputs.

UUT= Unit Under Test.

## Power supply : 120 V , 60 Hz

### FRONT AMP SECTION

\*SUB-WOOFER SPKR:NO \*SPKR LEVEL:ALL 0dB

NO	DESCRIPTION	Y/N	INPUT	FREQ.	REMARK	UNIT	LIMIT	NOMINAL		
1	INPUT SENSITIVITY	Y	CD	1kHz	To obtain rated Power	mV	200+/-30	200+/-20		
		Y	6 CH DIRECT	1kHz	To obtain rated Power	mV				
2	CHANNEL BALANCE	Y	6 CH DIRECT	1kHz	Vin=100mV, Vol at Max TO -40dB	dB	+/-3	+/-2		
		Y		1kHz	Vin=100mV, Volt at -40 TO -60dB	dB	+/-6	+/-4		
3	DAMPING FACTOR	Y	6 CH DIRECT	1kHz	Zout at a current level equivalent to 10 dB below rated Power current level. 20-20kHz, 8 ohm load		>100			
4	HICC	Y	6 CH DIRECT	10 KHz	10 KHz single cycle sine impulse. 1 impulse/sec. Using 0.1 ohm, 1%, 250 W, non inductive load	A	>60	>65		
5	RESIDUAL NOISE	Y	Should be met by all Stereo Inputs	1kHz	VOL at min. 10Hz-22KHz BW, peak detector, all inputs terminated w/ 1 Kohm	mVpk	<1.2mV	<1.0mV		
		Y	Should be met by all Stereo Inputs	1kHz	VOL at max. 10Hz-22KHz BW, peak detector, all inputs terminated w/ 1 Kohm	mVpk	<3mVrms	<1.5mVrms		
		Y	Should be met by all Stereo Inputs	1kHz	VOL at max. 10Hz-22KHz BW, RMS, non-weighted, all inputs terminated w/ 1 Kohm	mVrms	<1mVrms	<0.75mVrms		
		Y	Should be met by all Stereo Inputs	1kHz	VOL at max. 10Hz-22KHz BW, RMS, 'A Weighted', all inputs terminated w/ 1 Kohm	mVrms	<0.7mVrms	<0.5mVrms		
		Y	Should be met by all Stereo Inputs	1kHz	VOL at max. 10Hz-22KHz BW, RMS, 'A Weighted', all inputs left un-terminated	mVrms	<0.7mVrms	<0.5mVrms		
	RESIDUAL NOISE	Y	6 CH DIRECT	1kHz	VOL at min. 10Hz-22KHz BW, peak detector, all inputs terminated w/ 1 Kohm	mVpk	<1.2mVrms	<1.0mVrms		
		Y	6 CH DIRECT	1kHz	VOL at max. 10Hz-22KHz BW, peak detector, all inputs terminated w/ 1 Kohm	mVpk	<3mVrms	<1.5mVrms		
		Y	6 CH DIRECT	1kHz	VOL at max. 10Hz-22KHz BW, RMS, non-weighted, all inputs terminated w/ 1 Kohm	mVrms	<1mVrms	<0.75mVrms		
		Y	6 CH DIRECT	1kHz	VOL at max. 10Hz-22KHz BW, RMS, 'A Weighted', all inputs terminated w/ 1 Kohm	mVrms	<0.7mVrms	<0.5mVrms		
		Y	6 CH DIRECT	1kHz	VOL at max. 10Hz-22KHz BW, RMS, 'A Weighted', all inputs left un-terminated	mVrms	<0.7mVrms	<0.5mVrms		
6	TOTAL HARMONIC DISTORTION	Y	Should be met by all Stereo Inputs	20Hz-20 KHz, Power out =Rated Power - 1 dB	Vol at Max, 10 Hz-80KHz Meas BW.	%	<0.08	<0.05		
	TOTAL HARMONIC DISTORTION	Y	6 CH DIRECT	20Hz-20 KHz, Power out =Rated Power - 1 dB	Vol at Max, 10 Hz-80KHz Meas BW.	%	<0.08	<0.05		
	TOTAL HARMONIC DISTORTION	Y	Should be met by all Stereo Inputs	20Hz-10 KHz, Power out =1 W	Vol at Max, 10 Hz-22 KHz Meas BW.	%	<0.08	<0.05		
	TOTAL HARMONIC DISTORTION	Y	6 CH DIRECT	20Hz-10 KHz, Power out =1 W	Vol at Max, 10 Hz-22 KHz Meas BW.	%	<0.08	<0.05		
7	CONTINUOUS AVERAGE POWER: A) Stereo, 8 Ohm load, Fl and FR driven.	Y	CD	20 Hz	at 0.1% THD, 10 Hz-80 KHz measurement BW. Volume at Max.	W	>110	>115		
		Y	CD	1kHz	at 0.1% THD, 10 Hz-80 KHz measurement BW. Volume at Max.	W	>110	>115		

		Y	CD	20 KHz	at 0.1% THD, 10 Hz-80 KHz measurement BW.Volume at Max.	W	>110	>115		
	CONTINUOUS AVERAGE POWER: B) All 5 Channels Driven, 8 ohms	Y	6 CH DIRECT	20 Hz	at 0.1% THD, 10 Hz-80 KHz measurement BW.Volume at Max.	W	>100	>105		
		Y	6 CH DIRECT	1kHz	at 0.1% THD, 10 Hz-80 KHz measurement BW.Volume at Max.	W	>100	>105		
		Y	6 CH DIRECT	20 KHz	at 0.1% THD, 10 Hz-80 KHz measurement BW.Volume at Max.	W	>100	>105		
8		IMD(SMPTE)	Y	6 CH DIRECT	Sine wave # 1 f =60Hz. Ampl=4, sine wave # 2 f= 7 KHz. Ampl=1	30 step Sweep of Gen to Drive to Pk-Pk value of sine rated power	%	< 0.15	< 0.09	
9	DIM	Y	6 CH DIRECT	Square wave f =3.15KHz. Ampl=4, sine f=15 KHz. Ampl=1	30 step Sweep of Gen to Drive to Pk-Pk value of sine rated power	%	< 0.15	< 0.09		
10	S/N RATIO,IHF-A FILTER	Y	All Stereo Inputs	1kHz	Referred to Rated Output Power, Vol at max, all inputs terminated w/ 1 Kohm.	dB	>92	>95		
		Y	All Stereo Inputs	1kHz	Referred to 1W Out. Vol at max, all inputs terminated w/ 1 Kohm.	dB	>72	>75		
		Y	All Stereo Inputs	1kHz	Referred to Rated Output Power, Vol at max, all inputs left un-terminated	dB	>92	>95		
		Y	6 CH DIRECT	1kHz	Referred to Rated Output Power, Vol at max, all inputs terminated w/ 1 Kohm.	dB	>92	>95		
		Y	6 CH DIRECT	1kHz	Referred to Rated Output Power, Vol at max, all inputs left un-terminated.	dB	>92	>95		
		Y	6 CH DIRECT	1kHz	Referred to 1W Out. Vol at max, all inputs terminated w/ 1 Kohm.	dB	>74	>77		
11	CHANNEL SEPARATION: Zterm = 1KW/1000pF	Y	CD	100Hz	Vol at Max, Gen amplitude adjusted to obtain R/O-3dB, measured w/ AP's Xtalk mode. Driving every channel individually. Undriven channels should be terminated w/ 1 kOhm.	dB	>65	>70		
		Y		1kHz	Vol at Max, Gen amplitude adjusted to obtain R/O-3dB, measured w/ AP's Xtalk mode. Driving every channel individually. Undriven channels should be terminated w/ 1 kOhm.	dB	>65	>70		
		Y		10kHz	Vol at Max, Gen amplitude adjusted to obtain R/O-3dB, , measured w/ AP's Xtalk mode. Driving every channel individually. Undriven channels should be terminated w/ 1 kOhm.	dB	>55	>65		
	CHANNEL SEPARATION: Zterm = 1KW/1000pF	Y	6 CH DIRECT	100Hz	Vol at Max, Gen amplitude adjusted to obtain R/O-3dB, measured w/ AP's Xtalk mode. Driving every channel individually. Undriven channels should be terminated w/ 1 kOhm.	dB	>65	>70		
		Y		1kHz	Vol at Max, R/O-3dB, measured w/ AP's Xtalk mode. Driving every channel individually. Undriven channels should be terminated w/ 1 kOhm.	dB	>65	>70		
		Y		10kHz	Vol at Max, Gen amplitude adjusted to obtain R/O-3dB, , measured w/ AP's Xtalk mode. Driving every channel individually. Undriven channels should be terminated w/ 1 kOhm.	dB	>55	>65		
12	FUNCTION CROSSTALK, (Measured on all Channels)	Y	All Analog Stereo and 6 CH DIRECT Inputs	1 kHz	Volume at Max. Apply Sinewave Signal Gen amplitude to the tested input, to obtain R/O-3dB at the speaker outputs. Record the output level as the reference output. Then, scroll thru the other possible stereo inputs, and measure the output level. Compute t	dB	>70	>75		

		Y	All Analog Stereo and 6 CH DIRECT Inputs	10 kHz	Volume at Max. Apply Sinewave Signal Gen amplitude to the tested input, to obtain R/O-3dB at the speaker outputs. Record the FL and FR speaker output level as the reference output. Scroll thru other stereo inputs, and measure the output level. Compute th	dB	> 55	>75		
		Y	AM/FM Tuner Input	1 KHz	Apply an FM Stereo RF input thru a 50- >75 ohm dummy antenna (98 MHz carrier, 75 KHz modulation, 1 KHz tone, 72 dBuV level). Then set UUT to FM Stereo , 98 MHz. Set Volume control to 10 dB below Max. Record the FL and FR speaker output level as the refere					
			Full scale Digital Input		TBD					
19	FTC POWER 20Hz~20kHz, 0.08 % THD, 8 ohm load	Y	CD	20 Hz-20 KHz	1 hour preconditioning by driving all channels to 1/3 rated power. 25 oC. 10 Hz-80KHz Meas BW. ACV=117VRMS, 60 Hz	W	>100	>105		
21	DYNAMIC POWER OUTPUT	Y	CD	1kHz	20 cycle burst- 480 msec off. Sweep ampl to reach clipping point.	W	>130	> 135		
22	FREQUENCY RESPONSE (-3dB)	Y	All Analog Stereo and 6 CH DIRECT Inputs		Ref to 1W, 1KHz	Hz	10 Hz-100 KHz	5 Hz-150 KHz		
23	POWER BANDWIDTH -3dB	Y	CD		THD 0.08%	Hz~kHz	20-60Khz			
24	SLEW RATE	Y	CD	20 KHz Square Wave	Drive unit to 40 Vpp. Mesure delta amplitude and delta time. Compute V/usec	V/usec	>12	>13		
25	SLEW-FACTOR	Y	6 CH DIRECT/ALL STEREO INPUTS	1 KHz reference	Volume at Max. Drive channel to R/O. Then sweep frequency until finding 1 % THD+N reading. Record frequency. Ratio of freq @ 1 % THD+N / 20 KHz is the Slew Factor		>5	>5.5		
26	INPUT IMPEDANCE	Y	6 CH DIRECT/ALL STEREO INPUTS	1kHz		kohm	47 Kohm			
27	HEADPHONE OUTPUT	Y	CD	1kHz	Volume at Max	mV	1.2 +/- 0.4	1.2 +/- 0.2		
	H/P = 32ohms		(200)mV	1kHz		mV				

3	S/N RATIO		VCR1(1Vp-p)	1MHz		dB	40	45		
	<b>COMPONENT VIDEO</b>									
1	OUTPUT LEVEL at 75ohms									
	"Y" LEVEL(GREEN)		VCR1(1Vp-p)			Vp-p	1 +/- 20mV	1 +/- 10mV		
	"Cb" LEVE(BLUE)		VCR1(0.678Vp-p)				0.678+/-10mV	0.678+/-5mV		
	"Cr" LEVE(RED)		VCR1(0.678Vp-p)				0.678+/-10mV	0.678+/-5mV		

# TUNER SECTION

Measuring methods in conformity with IEC standard 315

Measurements condition FM : Radio frequency = 98.1MHz, Audio frequency = 1kHz

Reference level = 1mV on ( 75ohms , 300ohms )

Deviation : MONO = ?5kHz, Stereo = ?7.5kHz?.5kHz

MONO = ?0kHz, Stereo = ?0kHz?.5kHz

Test Point : TP 1 = 90.1MHz, TP 2 = 98.1MHz, TP 3 = 106.1MHz

Filter = B.P.F at STEREO

## FM SECTION

NO	DESCRIPTION		UNIT	LIMIT	L/R	NOMINAL L/R	MEAS.	NEEDED
* 1	TUNING RANGE	LOW ~ HIGH	MHz			<b>87.5~107.9M</b>		
	STEP	AUTO/Man.	kHz			<b>100</b>		
* 2	USABLE SENSITIVITY S/N = (26,30)dB	TP 1	dBf	> 17.2		> 14.2		
		TP 2	dBf	> 17.2		> 14.2		
		TP 3	dBf	> 17.2		> 14.2		
3	FULL LIMITING SENSE	OUTPUT = -3dB	dBf	> 15.2		> 12.2		
* 4	AUTO STOP LEVEL		dBf	33.2 +/- 6		33.2 +/- 5		
* 5	AUTO SCAN ERROR		kHz	+/- 15/20		+/- 20/25		
* 6	S/N RATIO	MONO	dB	> 65		> 70		
	IHF-A FILTER	STEREO	dB	> 63		> 68		
* 7	TOTAL HARMONIC DISTORTION	MONO	%	> 0.5		> 0.3		
		STEREO	%	> 0.8		> 0.5		
8	(50,46)dB QUIETING SENS.	MONO	dBf	> 23.2		> 20.2		
		STEREO	dBf	> 48.3		> 45.3		
* 9	CHANNEL SEPARATION	100Hz	dB	> 35		> 40		
		1kHz	dB	> 40		> 45		
		10kHz	dB	> 30		> 35		
10	FREQUENCY RESPONSE AT ?1, -3dB		Hz	20~15K		10~15.3K		
11	SPURIOUS RESPONSE		dB	> 80		> 90		
12	IF REJECTION	TP 1	dB	> 70		> 80		
13	IMAGE REJECTION	TP 3	dB	> 65		> 70		
14	AM REJECTION RATIO		dB	> 50		> 55		
15	RF INTERMODULATION		dB					
16	CAPTURE RATIO		dB	> 25.		> 2		
17	ALTERNATIVE CH SELECTIVITY	?(400)kHz	dB	> 65		> 70		
* 19	OUTPUT LEVEL	MONO	mV	500 +/- 150		500 +/- 100		

## AM SECTION

Measuring methods in conformity with IEC standard 315

Measurements condition AM - MW : Radio frequency = 1000/999kHz, Audio frequency = 400Hz

LW : Radio frequency = 207kHz, Audio frequency = 400Hz

Reference level = 5mV/m, 10mV/m on 50ohms

Modulation = 30%

Test Point : MW TP1 = (600)kHz TP2 = (1000)kHz TP3 = (1400)kHz

LW TP1 = 162kHz, TP2 = 207kHz, TP3 = 252kHz

NO	DESCRIPTION		UNIT	LIMIT	L/R	NOMINAL L/R	MEAS.	NEEDED
* 1	TUNING COVER RANGE	LOW ~ HIGH	MW	kHz			<b>520~1710</b>	
			LW	kHz				
	STEP	AUTO/Man.		kHz			<b>10</b>	
* 2	USABLE SENSITIVITY S/N = 20dB	MW	TP 1	uV/m	> 800		> 500	
			TP 2	uV/m	> 800		> 500	
			TP 3	uV/m	> 800		> 500	
		LW	TP 1	uV/m				
			TP 2	uV/m				
			TP 3	uV/m				

3	S/N RATIO	MW	dB	> 40	> 45		
	INPUT=10mV/m	LW	dB				
4	TOTAL HARMONIC DISTORTION		%	> 1.5	> 0.8		
5	OVER LOAD DISTORTION 5mV 80% MOD		%	> 10	> 5		
6	FREQUENCY RESPONSE at -6dB	MW	Hz	100-2K	80-2.3K		
		LW	Hz				
7	SELECTIVITY 10kHz/9kHz	MW	dB	> 20	> 25		
		LW	dB				
8	AGC FIGURE OF MERIT	INPUT 100mV	dB	> 50	> 55		
9	IMAGE REJECTION	MW = TP 3	dB	> 30	> 35		
		LW = TP 3	dB				
10	WHISTLE MODULATION INPUT = 1mV/m	2IF	%	> 15	> 10		
		3IF	%	> 15	> 10		
11	AUTO STOP LEVEL	MW	uV/m	800 (+/- 6dB)	800 (+/- 5dB)		
		LW	uV/m				
* 12	TUNED LEVEL	MW	uV/m	800 (+/- 6dB)	800 (+/- 5dB)		
		LW	uV/m				
* 13	OUTPUT LEVEL		mV	120 +/- 40	120 +/- 30		

### AC-3 SECTION

Measurements conditions, unless otherwise noted : Input Function : DVD  
 Digital Input Mode : OPTICAL1  
 Speker Mode : Front/Center/Surround:LARGE, Sub-Woofers: YES  
 Main Vol Position : 1 Vrms Output Position  
 Trim Vol Position : All "0 dB"  
 Test Point : Pre-Out  
 Test disc : DOLBY TEST DVD VERSION 1.0  
 Center, Rear delay : 0 ms

NO	DESCRIPTION	SIGNAL	INPUT	CHAPTER	UNIT	LIMIT	NOMINAL	MEASUREMENT						
								L	C	R	LS	RS	SW	
*	1 Output Level Main Vol Level : "60"Position	1kHz	0dB	65/6/7/8/9	V	1.09 +/- 0.3	1.0 +/- 0.2							
		30Hz	0dB	70	V	3.3 +/- 0.5	3.3 +/- 0.3							
*	2 Output Level at MIN.VOL.	1kHz	0dB	65/6/7/8/9	mV	> 0.2	> 0.15							
		30Hz	0dB	70	mV	> 0.2	> 0.15							
*	3 S/N Ratio	PRE-OUT : 100mV "A"Weighted	1kHz	-20dB	33,34,35	dB	60	65						
		PRE-OUT : 1V Unweighted	30Hz	0dB	32	dB	> 60	> 65						
*	4 T.H.D	PRE-OUT : 100mV	1kHz	-20dB	6	%	> 0.5	> 0.3						
		PRE-OUT : 1V	30Hz	0dB	18	%	> 0.3	> 0.2						
*	5 Channel Separation	L	1kHz	0dB	65	dB	Other Channel							
		C	1kHz	0dB	66	dB	> 60	> 65						
		R	1kHz	0dB	67	dB	L <-> R							
		LS	1kHz	0dB	68	dB	> 50	> 55						
		RS	1kHz	0dB	69	dB	ALL <-> Sub-Woofers							
		SW	30Hz	0dB	70	dB	> 30	> 35						
*	6 Frequency Response at M-Vol Level:"60"	Sub-woofer: YES	30Hz (1kHz)	0dB	71 (65/6/7/8/9:ref)	dB	< - 15	< - 20						
		Center/Surround: SMALL	1kHz (30Hz)	0dB	60 (71 :ref)	dB	< - 30	< - 35						
		Sub-woofer: NO	30Hz (1kHz)	0dB	72 (60 :ref)	dB	5.5 +/- 1.5	5.5 +/- 1						
*	7 Dialog Normalization Main Vol Level : "60"Position	1kHz	0dB	62	dB	Decrease 1dB each								
		100Hz	0dB	62	dB	two second								

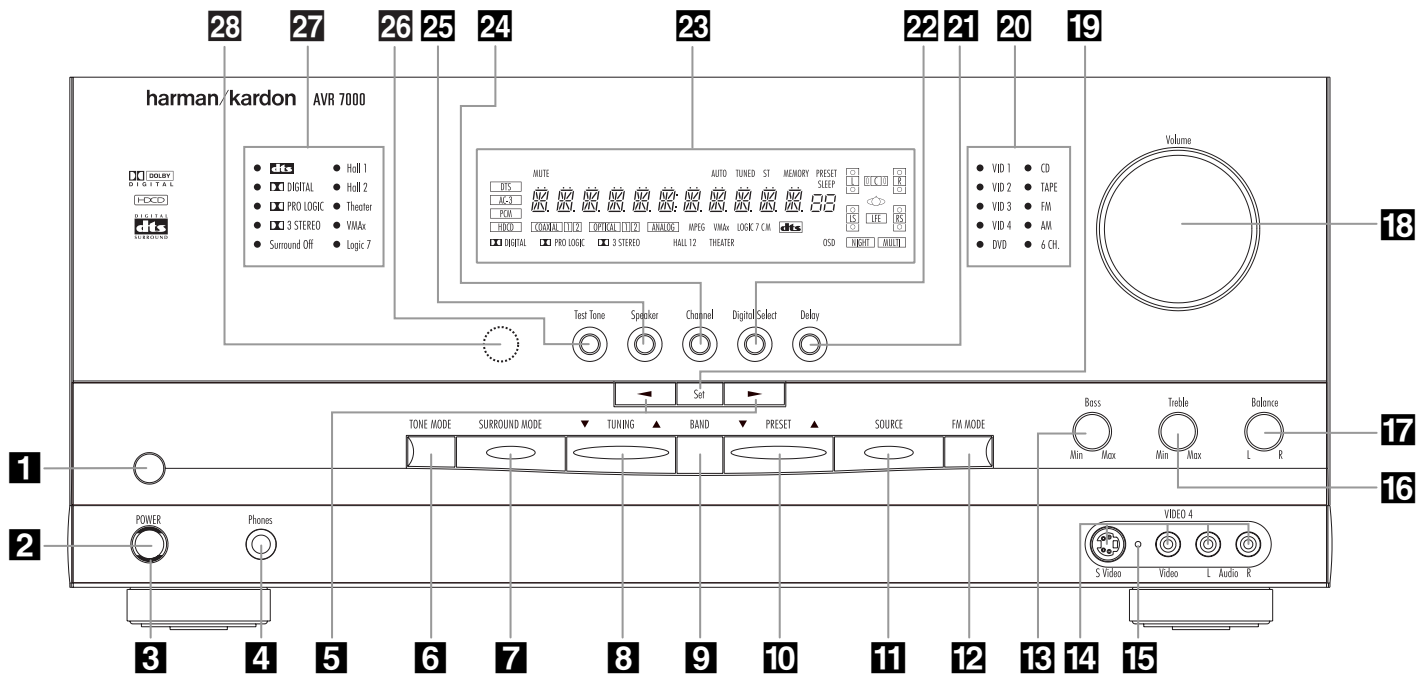
NO	DESCRIPTION	SIGNAL	INPUT	CHAPTER	UNIT	LIMIT	NOMINAL	L	C	R	LS	RS	SW
*	8 2CH Down Mix level Main Vol Level : "60"Position	AC-3 mode											
		Center/Surround :no	1kHz	0dB	38	dB	-3.0 +/- 0.5	-3.0 +/- 0.3					
		Sub-woofer : NO											
*	9 Channel across level Main Vol level "60" Position	C-> L, R Center 0dB	1kHz	0dB	66	dB	-3 +/- 1	-3 +/- 0.5					
		LS-> L Ls 0dB Setting	1kHz	0dB	68	dB	-3 +/- 1	-3 +/- 0.5					
		RS-> R Rs 0dB Setting	1kHz	0dB	69	dB	-3 +/- 1	-3 +/- 0.5					
		SubWoofer -> L, R	30Hz	0dB	70	dB	-4.5 +/- 2	-4.5 +/- 1					
		L/C/R/Ls/Rs -> Sub Out	30Hz	0dB	71	V	6 +/- 1.5	6 +/- 1.0					
*	10 LFE Signal across level Main Vol level "60" Position	L/C/R/Ls/Rs -> Sub Out	30Hz	0dB	71	dB	2.5 +/- 1	2.5 +/- 0.5					
		C/Ls/Rs -> L, R L:0dB C:No S:No	30Hz	0dB	71	dB	-3 +/- 1	-3 +/- 0.5					
		L/C/R/Ls/Rs/LFE-> Sub Out (1)	30Hz	0dB	72	V	2.5 <+/- 0.8	2.5 <+/- 0.5					

DIGITAL(AC3) Section

		Main Vol level	L/C/R/Ls/Rs/LFE -	30Hz	0dB	72	dB	15 < +/- 2	15 < +/- 1						
		"60" Position	>Sub Out C/Ls/Rs/LFE -> L, R :Sub: No	30Hz	0dB	72	dB	-6.5 < +/- 3	-6.5 < +/- 2						
*	12	Dynamic Range	Main Vol Level : "50" Position Sub-woofer : Yes	1KHz	0dB	60	dB	-22 < +/- 2	-22 < +/- 1						
				30Hz	0dB	70	dB	+/- 1	+/- 0.5						



# Front Panel Controls



- 1** Main Power Switch
- 2** System Power Control
- 3** Power Indicator
- 4** Headphone Jack
- 5** Selector Buttons
- 6** Tone Mode
- 7** Surround Mode Selector
- 8** Tuning Selector
- 9** Tuner Band Selector
- 10** Preset Stations Selector
- 11** Input Source Selector
- 12** FM Mode Selector
- 13** Bass Control
- 14** Video 4 Input Jacks
- 15** Video 4 Status Indicator
- 16** Treble Control
- 17** Balance Control
- 18** Volume Control
- 19** Set Button
- 20** Input Indicators
- 21** Delay
- 22** Digital Input Selector
- 23** Information Display
- 24** Channel Select Button
- 25** Speaker Select Button
- 26** Test Tone Selector
- 27** Surround Mode Indicators
- 28** Remote Sensor Window

**1 Main Power Switch:** Press this button to apply power to the AVR 7000. When the switch is pressed in, the unit is placed in a Standby mode, as indicated by the amber LED **3** surrounding the **System Power Control 2**. This button **MUST** be pressed in to operate the unit. To turn the unit off and prevent the use of the remote control, this switch should be pressed until it pops out from the front panel so that the word "OFF" may be read at the top of the switch.

**NOTE:** In normal operation this switch is left in the "ON" position.

**2 System Power Control:** When the **Main Power Switch 1** is "ON," press this button

to turn on the AVR 7000; press it again to turn the unit off. Note that the **Power Indicator 3** will turn green when the unit is on.

**3 Power Indicator:** This LED will illuminate in amber when the unit is in the Standby mode to signal that the unit is ready to be turned on. When the unit is in operation, the indicator will turn green.

**4 Headphone Jack:** This jack may be used to listen to the AVR 7000's output through a pair of headphones. Be certain that the headphones have a standard 1/4" stereo phone plug. Note that the main room speakers will automatically be turned off when the headphone jack is in use.

**5 Selector Buttons:** When you are establishing the AVR 7000's configuration settings, use these buttons to select from the choices available, as shown in the **Information Display 23**.

**6 Tone Mode:** Pressing this button enables or disables the Bass and Treble tone controls. When the button is pressed so that the words TONE IN appear in the Main Information Display **23**, the settings of the Bass **13** and Treble **16** controls will affect the output signals. When the button is pressed so that the words TONE OUT appear in the Main Information Display **23**, the output signal will be "flat," without any bass or treble alteration.

## Front Panel Controls

**7 Surround Mode Selector:** Press this button to change the surround mode by scrolling through the list of available modes. Note that depending on the type of input, some modes are not always available. (See page 25 for more information about surround modes.)

**8 Tuning Selector:** Press the left side of the button to tune lower frequency stations and the right side of the button to tune higher frequency stations. When a station with a strong signal is reached, the **TUNED** indicator **U** will illuminate in the **Information Display 23**.

To tune manually, tap the button lightly and note that the tuner will step up one frequency increment per button press. When the button is held for a few seconds you will note that the unit will quickly search the frequency band. Release it once the fast tuning starts and the tuner will automatically scan for the next station with an acceptable signal and then stop.

**9 Tuner Band Selector:** Pressing this button will automatically switch the AVR to the Tuner mode. Pressing it again will switch between the AM and FM frequency bands. (See page 29 for more information on the tuner.)

**10 Preset Stations Selector:** Press this button to select stations that have been entered into the preset memory. (See page 29 for more information on tuner programming.)

**11 Input Source Selector:** Press this button to change the input by scrolling through the list of input sources.

**12 FM Mode Selector:** Press this button to select Auto or Manual tuning. When the button is pressed so that the **AUTO** Indicator **V** lights, the tuner will search for the next station with an acceptable signal when the **Tuning Selector 8 24 E** is pressed. When the button is pressed so that the **AUTO** Indicator **V** is not lit, each press of the **Tuning Selector 8 24 E** will increase the frequency. (See page 29 for more information on using the tuner.)

**13 Bass Control:** Turn this control to modify the low frequency output of the left/right channels by as much as  $\pm 10$ dB. Set this control to a suitable position for your taste or room acoustics.

**14 Video 4 Input Jacks:** These audio/video jacks may be used for temporary connection to video games or portable audio/video products such as camcorders and portable audio players.

In normal use, they are an input that may be selected by pressing the **Input Source Selector 11** on the front panel, or the **Video 4 Selector** on either remote **13 C**. These jacks may also be configured as an audio/video output, that will make a dub of the currently selected source when connected to an external recorder or camcorder. To change the jacks from their default setting as an input to an output, use the Advanced Menu in the OSD system. (See page 31 for more information on using the Video 4 jacks as a record output.)

**15 Video 4 Status Indicator:** This indicator will normally be green to show that the Video 4 jacks are operating as an input source. When the jacks have been configured as an output, the indicator will turn red to show that they are being used for recording. (See page 31 for more information on using the Video 4 jacks.)

**16 Treble Control:** Turn this control to modify the high frequency output of the left/right channels by as much as  $\pm 10$ dB. Set this control to a suitable position for your taste or room acoustics.

**17 Balance Control:** Turn this control to change the relative volume for the front left/right channels.

**NOTE:** For proper operation of the surround modes this control should be at the midpoint or "12 o'clock" position.

**18 Volume Control:** Turn this knob clockwise to increase the volume, counterclockwise to decrease the volume. If the AVR is muted, adjusting volume control will automatically release the unit from the silenced condition.

**19 Set Button:** When making choices during the setup and configuration process, press this button to enter the desired setting as shown in the **Information Display 23** into the AVR 7000's memory. The set button may also be used to change the display brightness. (See page 31.)

**20 Input indicators:** A green LED will light in front of the input that is currently being used as the source for the AVR 7000.

**21 Delay:** Press this button to begin the sequence of steps required to enter delay time settings. (See pages 20–21 for more information on delay times.)

**22 Digital Input Selector:** When playing a source that has a digital output, press this button to select between the **Optical 19** and **Coaxial 18 Digital** inputs. (See pages 27–29 for more information on digital audio.)

**23 Information Display:** This display delivers messages and status indications to help you operate the receiver. (See pages 7–8 for a complete explanation of the Information Display.)

**24 Channel Select Button:** Press this button to begin the process of trimming the channel output levels using an external audio source. (For more information on output level trim adjustment, see page 29.)

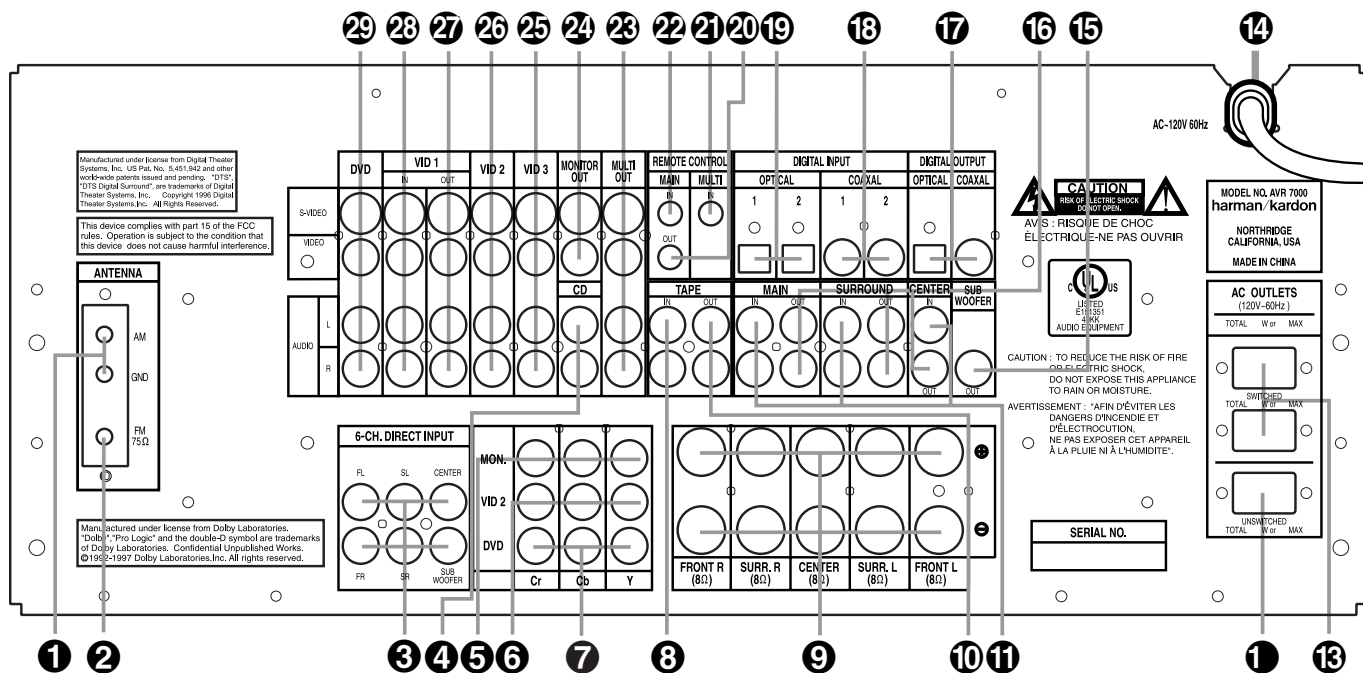
**25 Speaker Select Button:** Press this button to begin the process of selecting the speaker positions that are used in your listening room. (See page 22 for more information on setup and configuration.)

**26 Test Tone Selector:** Press this button to begin the process of adjusting the channel output levels using the internal test tone as a reference. (For more information on output level adjustment, see page 23.)

**27 Surround Mode Indicators:** A green LED will light in front of the surround mode that is currently in use.

**28 Remote Sensor Window:** The sensor behind this window receives infrared signals from the remote control. Aim the remote at this area and do not block or cover it unless an external remote sensor is installed.

# Rear Panel Connections



- |   |   |  |
|---|---|--|
| <ul style="list-style-type: none"> <li>❶ AM Antenna</li> <li>❷ FM Antenna</li> <li>❸ 6-Channel Direct Inputs</li> <li>❹ CD Inputs</li> <li>❺ Component Video Outputs</li> <li>❻ Video 2 Component Video Inputs</li> <li>❼ DVD Component Video Inputs</li> <li>❽ Tape Inputs</li> <li>❾ Speaker Outputs</li> <li>❿ Tape Outputs</li> </ul> | <ul style="list-style-type: none"> <li>⓫ Amplifier Inputs</li> <li>⓬ Unswitched AC Accessory Outlet</li> <li>⓭ Switched AC Accessory Outlets</li> <li>⓮ AC Power Cord</li> <li>⓯ Subwoofer Output</li> <li>⓰ Preamp Outputs</li> <li>⓱ Digital Audio Outputs</li> <li>⓲ Coaxial Digital Inputs</li> <li>⓳ Optical Digital Inputs</li> <li>⓴ Remote IR Output</li> </ul> | <ul style="list-style-type: none"> <li>⓶ Multiroom IR Input</li> <li>⓷ Remote IR Input</li> <li>⓸ Multiroom Outputs</li> <li>⓹ Video Monitor Outputs</li> <li>⓺ Video 3 Inputs</li> <li>⓻ Video 2 Inputs</li> <li>⓼ Video 1 Outputs</li> <li>⓽ Video 1 Inputs</li> <li>⓾ DVD Inputs</li> </ul> |
|---|---|--|

**NOTE:** For all video inputs and outputs **❷** **❸** **❹** **❺** **❻** **❼** **❽** **❾** **❿** the same number is used to indicate the audio, composite-video and S-Video connections related to that input. This accounts for the same number appearing in more than one place on the rear-panel drawing.

## Rear Panel Connections

**1 AM Antenna:** Connect the AM loop antenna supplied with the receiver to these terminals. If an external AM antenna is used, make connections to the **AM** and **GND** terminals in accordance with the instructions supplied with the antenna.

**2 FM Antenna:** Connect the supplied indoor or the optional external FM antenna to this terminal.

**3 6-Channel Direct Inputs:** If an external digital audio decoder is used, connect the outputs of that decoder to these jacks.

**4 CD Inputs:** Connect these jacks to the output of a compact disc player or CD changer.

**5 Component Video Outputs:** Connect these outputs to the component video inputs of a video projector or monitor. When a source connected to one of the two **Component Video Inputs 6 7** is selected the signal will be sent to these jacks.

**6 Video 2 Component Video Inputs:** Connect the Y/Cr/Cb component video outputs of a set top converter box or other video product to these jacks.

**7 DVD Component Video Inputs:** Connect the Y/Cr/Cb component video outputs of a DVD player to these jacks.

**8 Tape Inputs:** Connect these jacks to the **PLAY/OUT** jacks of an audio recorder.

**9 Speaker Outputs:** Connect the these jacks to the matching + or – terminals on your speakers. When making speaker connections, always make certain to maintain correct polarity by connecting the red (+) terminals on the AVR to the red terminals on the speaker and the black (–) terminals on the AVR to the black terminals on the speakers. (See page 15 for more information on speaker polarity.)

**10 Tape Outputs:** Connect these jacks to the **RECORD/INPUT** jacks of an audio recorder.

**11 Amplifier Inputs:** When the jumper pins that link the **Preamp Outputs 16** with these inputs are removed, these jacks may be used to connect an external source or the AVR7000's multiroom system to the internal amplifiers. (See page 17 for more information on using these connections.)

**12 Unswitched AC Accessory Outlet:** This outlet may be used to power any AC device. The power will remain on at this outlet regardless of whether the AVR 7000 is on or off.

**13 Switched AC Accessory Outlets:** These outlets may be used to power any device that you wish to have turn on when the unit is turned on with the **System Power Control** switch **2**.

**14 AC Power Cord:** Connect the AC plug to an unswitched AC wall output.

**15 Subwoofer Output:** Connect this jack to the line-level input of a powered subwoofer. If an external subwoofer amplifier is used, connect this jack to the subwoofer amplifier input.

**16 Preamp Outputs:** When the jumper pins that link the **Amplifier Inputs 11** with these outputs are removed, these jacks may be connected to an external power amplifier.

**17 Digital Audio Outputs:** Connect these jacks to the matching digital input connector on a digital recorder such as a CD-R or MiniDisc recorder.

**18 Coaxial Digital Inputs:** Connect the coax digital output from a DVD player, HDTV receiver, LD player or CD player to these jacks. The signal may be either a Dolby Digital signal, DTS signal or a standard PCM digital source.

**19 Optical Digital Inputs:** Connect the optical digital output from a DVD player, HDTV receiver, LD player or CD player to these jacks. The signal may be either a Dolby Digital signal, a DTS signal or a standard PCM digital source.

**20 Remote IR Output:** This connection permits the IR sensor in the receiver to serve other remote controlled devices. Connect this jack to the "IR IN" jack on Harman Kardon or other compatible equipment.

**21 Multiroom IR Input:** Connect the output of an IR sensor in a remote room to this jack to operate the AVR 7000's multiroom control system.

**22 Remote IR Input:** If the AVR 7000's front-panel IR sensor is blocked due to cabinet doors or other obstructions, an external IR

sensor may be used. Connect the output of the sensor to this jack.

**23 Multiroom Outputs:** Connect these jacks to the optional audio power amplifiers or video display devices to view and listen to the source selected by the multiroom system in a remote room.

**24 Video Monitor Outputs:** Connect this jack to the composite or S-Video input of a TV monitor or video projector to view the on-screen menus and the output of any standard video source selected by the receiver's video switcher.

**25 Video 3 Inputs:** Connect these jacks to the audio and video outputs of a TV tuner, Cable TV converter box, satellite receiver or another audio/video source.

**26 Video 2 Inputs:** Connect these jacks to the audio and video outputs of a TV Tuner, Cable TV converter box, satellite receiver or any other audio/video source.

**27 Video 1 Outputs:** Connect these jacks to the audio and video **RECORD/INPUT** jacks of a VCR.

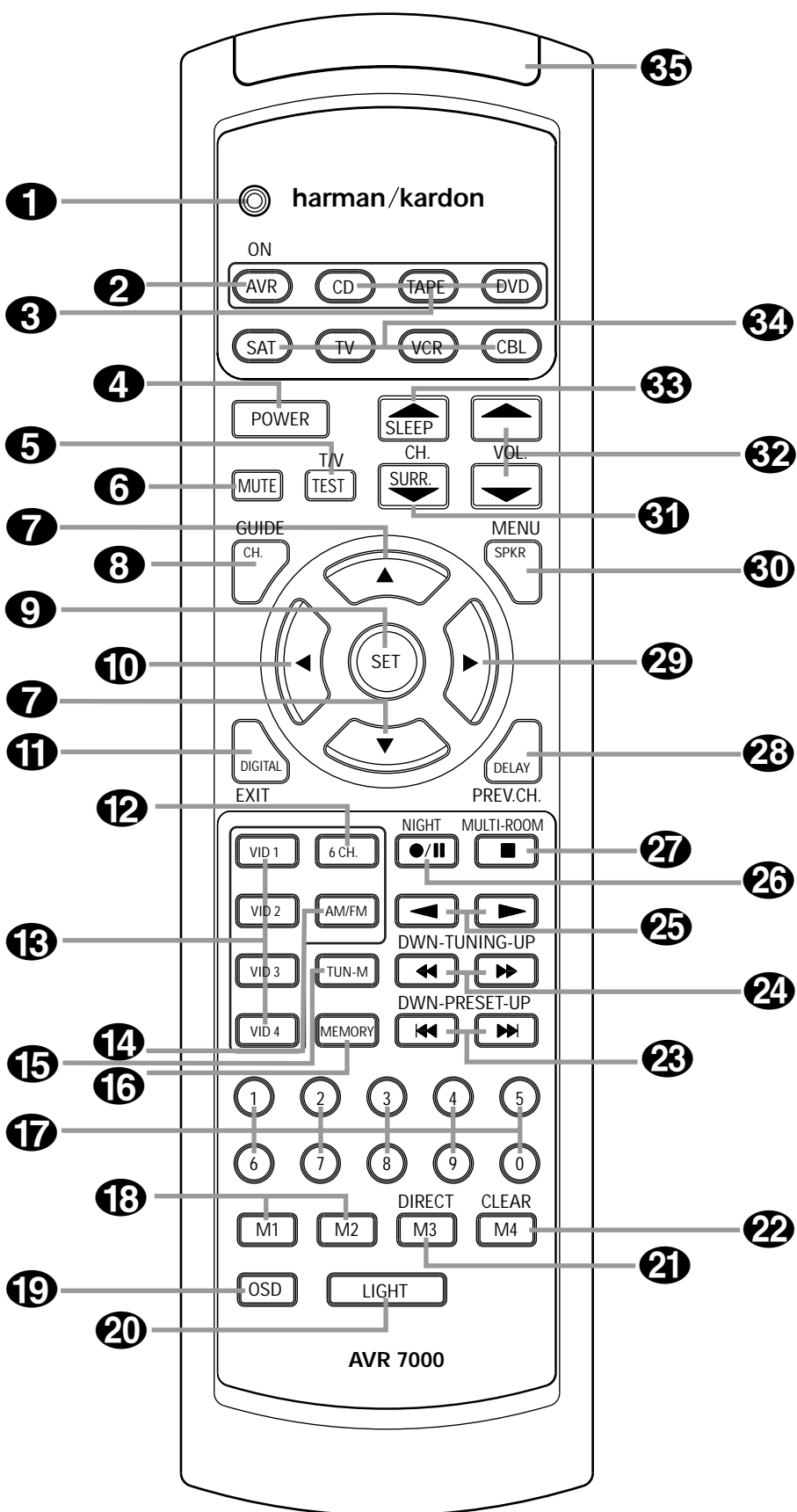
**28 Video 1 Inputs:** Connect these jacks to the audio and video **PLAY/OUT** jacks of a VCR.

**29 DVD Inputs:** Connect the analog audio outputs and composite video output of a DVD or LD player to these jacks.

# Main Remote Control Functions

- 1 Program Indicator
- 2 AVR Selector
- 3 CD/Tape/DVD Input Selectors
- 4 Power Off Button
- 5 Test Tone
- 6 Mute
- 7 ▲/▼ Buttons
- 8 Channel Select Button
- 9 Set Button
- 10 ◀ Button
- 11 Digital Select
- 12 6-Ch. Direct Input
- 13 Video Input Selectors
- 14 AM/FM Tuner Select
- 15 Tuner Mode
- 16 Memory Button
- 17 Numeric Keys
- 18 Macro 1/2 Buttons
- 19 OSD Button
- 20 Light Button
- 21 Direct/Macro 3 Button
- 22 Clear/Macro 4 Button
- 23 Preset Up/Down
- 24 Tuning Up/Down
- 25 Forward/Reverse Transport Buttons
- 26 Night Mode
- 27 Multi-Room
- 28 Delay/Prev. Ch.
- 29 ▶ Button
- 30 Speaker Select
- 31 Surround Mode Selector
- 32 Volume Up/Down
- 33 Sleep Button
- 34 Video Remote Selectors
- 35 IR Transmitter Window

**NOTE:** The function names shown here are each button's feature when used with the AVR. Most buttons have additional functions when used with other devices. See page 38 for a list of these functions.



## Main Remote Control Functions

**IMPORTANT NOTE:** The AVR 7000's remote may be programmed to control up to eight devices, including the AVR 7000. Before using the remote, it is important to remember to press the **Device Control Selector** button **2** **3** that corresponds to the unit you wish to operate. In addition, the AVR 7000's remote is shipped from the factory to operate the AVR 7000 and most Harman Kardon CD or DVD players and cassette decks. The remote is also capable of operating a wide variety of other products using the control codes that are part of the remote. Before using the remote with other products, follow the instructions on pages 34–45 to program the proper codes for the products in your system.

It is also important to remember that many of the buttons on the remote take on different functions, depending on the product selected using the Device Control Selectors. The descriptions shown here primarily detail the functions of the remote when it is used to operate the AVR 7000. (See page 38 for information about alternate functions for the remote's buttons.)

**1 Program Indicator:** This three-color indicator is used to guide you through the process of learning commands from a remote into the AVR's remote code memory. (See page 35 for information on learning IR codes.)

**2 AVR Selector:** Pressing this button will switch the remote so that it will operate the AVR's functions. If the AVR is in the Standby mode, it will also turn the AVR on.

**3 CD/Tape/DVD Input Selectors:** Pressing one of these buttons will perform three actions at the same time. First, if the AVR is not turned on, this will power up the unit. Next, it will select the source shown on the button as the input to the AVR. Finally, it will change the remote control so that it controls the device selected. After pressing one of these buttons you must press the **AVR Selector** button **2** again to operate the AVR's functions with the remote.

**4 Power Off Button:** Press this button to place the unit in the Standby mode. Note that this will turn off the main room functions, but if the Multiroom system is activated, it will continue to function.

**5 Test Tone:** Press this button to begin the sequence used to calibrate the AVR 7000's output levels. (See page 23 for more information on calibrating the AVR 7000.)

**6 Mute:** Press this button to momentarily silence the AVR 7000 or TV set being controlled, depending on which device has been selected.

When the AVR 7000 remote is being programmed to operate another device, this button is pressed with the **Device Control Selector** button **2** **34** to begin the programming process. (See page 34 for more information on programming the remote.)

**7 ▲/▼ Buttons:** These are multi-purpose buttons. They will be used most frequently to select a surround mode. To change the surround mode, first press the **SURR/CH ▼** button **31**. Next press these buttons to scroll up or down through the list of surround modes that appear in the **Information Display 23**. These buttons are also used to increase or decrease output levels when configuring the unit with either the internal test tone or an external source. They are also used to enter delay time settings after the **Delay** button **28** has been pressed.

**8 Channel Select Button:** This button is used to start the process of setting the AVR 7000's output levels to an external source. Once this button is pressed, use the **▲/▼** buttons **7** to select the channel being adjusted, then press the **Set** button **9**, followed by the **▲/▼** buttons again, to change the level setting. (See page 23 for more information.)

**9 Set Button:** This button is used to enter settings into the AVR 7000's memory. It is also used in the setup procedures for delay time, speaker configuration and channel output level adjustment.

**10 ◀ Button:** This button is used to change the menu selection or setting during some of the setup procedures for the AVR.

**11 Digital Select:** Press this button to assign one of the digital inputs **18** **19** to a source. (See page 27 for more information on using digital inputs.)

**12 6-Ch. Direct Input:** Press this button to select the component connected to the 6-Ch. direct Input **3** as the source

**13 Video Input Selector:** Press one of these buttons to select a video input as the listening and viewing source.

**14 AM/FM Tuner Select:** Press this button to select the AVR's tuner as the listening choice.

Pressing this button when a tuner is in use will select between the AM and FM bands.

**15 Tuner Mode:** Press this button when the tuner is in use to select between automatic tuning and manual tuning. When the button is pressed so that the **AUTO** indicator **V** goes out, pressing the **Tuning** buttons **24** **8** **E** will move the frequency up or down in single-step increments. When the FM band is in use, pressing this button when a station's signal is weak will change to monaural reception. (See page 29 for more information.)

**16 Memory Button:** Press this button to enter a radio station into the AVR 7000's preset memory. After pressing the button the **MEMORY** indicator **S** will flash; you then have five seconds to enter a preset memory location using the **Numeric Keys 17**. (See page 29 for more information.)

**17 Numeric Keys:** These buttons serve as a ten-button numeric keypad to enter tuner preset positions. They are also used to select channel numbers when **TV** has been selected on the remote, or to select track numbers on a CD, DVD or LD player, depending on how the remote has been programmed.

**18 Macro 1/2 Buttons:** These buttons are used to recall or enter the programming sequence for a preprogrammed Macro sequence. (See page 36 for more information on programming and using Macros.)

**19 OSD Button:** Press this button to activate the On Screen Display (OSD) system used to set up or adjust the AVR 7000's parameters.

**20 Light Button:** Press this button to activate the remote's built-in backlight for better legibility of the buttons in a darkened room.

**21 Direct/Macro 3 Button:** This button has two functions. Pressing it when the tuner is in use will start the sequence for direct entry of a station's frequency. After pressing the button simply press the proper **Numeric Keys 17** to select a station. This button may also be used to store or recall a macro sequence. (See page 29 for more information on the tuner, and page 36 for more information on programming and using Macros.)

**22 Clear/Macro 4 Button:** This button may be used to store and recall a macro; it may also be programmed for use with other devices. (See page 36 for more information on macros.)



## Main Remote Control Functions

**23 Preset Up/Down:** When the tuner is in use, press these buttons to scroll through the stations programmed into the AVR 7000's memory. When some source devices, such as CD players, VCRs and cassette decks, are selected using the **Device Control Selectors** **3** **6**, these buttons may function as chapter step or track advance.

**24 Tuning Up/Down:** When the tuner is in use, these buttons will tune up or down through the selected frequency band. If the **Tuner Mode** button **15** **12** has been pressed so that the **AUTO** indicator **V** is illuminated, pressing and holding either of the buttons for three seconds will cause the tuner to seek the next station with acceptable signal strength for quality reception. When the **AUTO** indicator **V** is NOT illuminated, pressing these buttons will tune stations in single-step increments. (See page 29 for more information.)

**25 Forward/Reverse Transport Buttons:** These buttons do not have any functions for the AVR, but they may be programmed for the forward/reverse play operation of a wide variety of CD or DVD players, and audio or video-cassette recorders. (See page 34 for more information on programming the remote.)

**26 Night Mode:** Press this button to activate the Night mode. This mode is available in specially encoded digital sources, and it preserves dialog (center channel) intelligibility at low volume levels.

**27 Multi-Room:** Press this button to activate the Multiroom system or to begin the process of changing the input or volume level for the second zone. (See page 33 for more information on the Multiroom system.)

**28 Delay/Prev Ch.:** Press this button to begin the process for setting the delay times used by the AVR 7000 when processing surround sound. After pressing this button, the delay times are entered by pressing the **Set** button **9** and then using the **▲/▼** buttons **7** to change the setting. Press the Set button again to complete the process. (See page 20 for more information.)

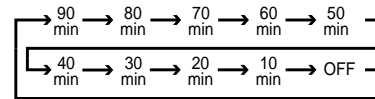
**29 ► Button:** Press this button to change a setting or selection when configuring many of the AVR's settings.

**30 Speaker Select:** Press this button to begin the process of configuring the AVR 7000's Bass Management System for use with the type of speakers used in your system. Once the button has been pressed, use the **▲/▼** buttons **7** to select the channel you wish to set up. Press the **Set** button **9** and then select another channel to configure. When all adjustments have been completed, press the Set button twice to exit the settings and return to normal operation. (See page 22 for more information.)

**31 Surround Mode Selector:** Press this button to begin the process of changing the surround mode. After the button has been pressed, use the **▲/▼** buttons **7** to select the desired surround mode. (See page 25 for more information.) Note that this button is also used to tune channels when the TV is selected using the **Device Control Selector** **34**. When the AVR 7000 remote is being programmed for the codes of another device, this button is also used in the "Auto Search" process. (See page 34 for more information on programming the remote.)

**32 Volume Up/Down:** Press these buttons to raise or lower the system volume.

**33 Sleep Button:** Press this button to place the unit in the Sleep mode. After the time shown in the display, the AVR 7000 will automatically go into the Standby mode. Each press of the button changes the time until turn-off in the following order:



Note that this button is also used to change channels on your TV when the TV is selected using the **Video Remote Selectors** **34**.

When the AVR 7000 remote is being programmed for the codes of another device, this button is also used in the "Auto Search" process. (See page 34 for more information on programming the remote.)

**34 Video Remote Selectors:** Press one of these buttons to use the remote to control the functions of the device shown on the button. (For more information on programming the remote to operate these devices, see pages 34–35.)

**NOTE:** As any of these buttons is pressed, it will briefly flash red to confirm your selection.

**35 IR Transmitter Window:** Point this window towards the AVR 7000 when pressing buttons on the remote to make certain that infrared commands are properly received.

Service bulletin # H/K2000-03 Rev1 June 2000

Warranty labor rate: MINOR repair

To: All harman/kardon Service Centers

Models: AVR7000

Subject: Video Signal, Color Shift

**In the event you receive an AVR7000 receiver with the complaint “when the video signal is routed through my AVR7000, there is a noticeable color shift with certain program material”, perform the following modification:**

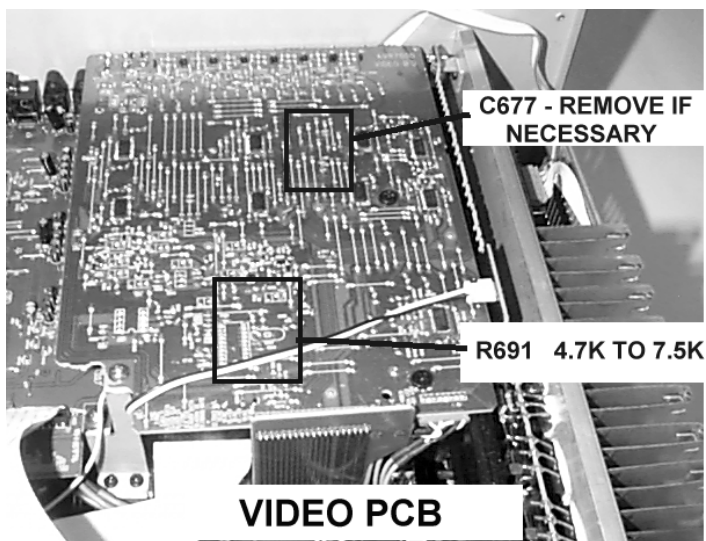
### 1. CHANGE R691 ON THE VIDEO BOARD

CAUTION: THE AVR7000 CIRCUITS ARE ELECTROSTATICALLY SENSITIVE. TO PREVENT DAMAGE TO THE RECEIVER, FOLLOW PROPER STATIC CONTROL PROCEDURES.

- a) Remove the top cover, (16 Black Phillips screws).
- b) Locate the Video PC Board; it is the uppermost PCB and located at the rear corner of the receiver. See illustration.
- c) Remove **R691** and replace with 7.5kΩ 1/10W (h/k part# [260-7.5](#)).

### 2. REMOVE C677

If the part is present, locate and remove C677 SMD capacitor on the same (video) PCB. See illustration. Test all major functions and confirm the color shift or original problem when the same program is played is no longer occurring; replace top cover.



NOTE: In early AVR7000 schematics, R691 was erroneously marked as 47 kΩ.

Model	R691 Modification Serial Number 120V	C677 Removal Serial Number 120V	STATUS	ACTION
AVR7000	TH0003-01000 To TH0003-05222	TH0003-01000 To TH0003-03213	Color shift in TV picture when using Video inputs and outputs.	Change R691 From 4.7kΩ to 7.5kΩ; Remove C677 if necessary
AVR7000	TH0003-05223 Or higher	TH0003-03214 Or higher	Modified by factory	NONE REQUIRED



Service bulletin # H/K2000-06 April 2000

Warranty labor rate: MINOR repair

To: All harman/kardon Service Centers

Models: AVR7000

Subject: Switched AC Accessory Outlet Dead

---

The Switched AC Accessory Outlets on the AVR7000 are used to power up any low-wattage device when the AVR7000 is switched on with the System Power Control. Ordinarily this means CD players, DVD players, Tape Decks, etc. or any device not exceeding 100 watts per outlet. These accessory outlets are not intended to be used with higher-power devices such as television sets, power amplifiers or powered subwoofers.

However, under some circumstances, even the use of a recommended device connected to the AVR7000's Switched AC Accessory Outlets may briefly exceed the current rating of the internal 1A AC accessory fuse, and blow the fuse.

**In the event you receive an AVR7000 with the complaint "The switched AC accessory outlet at the rear of my receiver is dead", perform the following procedure:**

- 1) Remove the top cover, (16 Black Phillips screws).
- 2) Locate F451, a 1A GMC (5 x 20mm) fuse at the rear corner of the unit, where the AC power cord enters the rear cover. Remove it and replace with a 3.15A GMC (5 x 20mm) Slo-Blo fuse, h/k part# 5508302735 . Original fuse can be extracted with a pair of long-nosed pliers.
- 3) Replace the top cover.
- 4) Test the Switched AC Accessory Outlets by connecting a low power device, such as a CD player, DVD player, or Tape Deck and assure the unit powers up normally when the AVR7000 System Power Control is switched on.

Model	Serial Number 120V	STATUS	ACTION
AVR7000	TH0003-01000 To TH0003-07963	Switched AC Accessory Outlet Dead	Change F451 From 1A to 3.15A
AVR7000	TH0003-07964 Or higher	Modified by factory	NONE REQUIRED

**Troubleshooting tips and solutions to common service problems****For models: AVR7000****TIP# HKTT2000-01**

---

**Complaint:**

The Remote Control has stopped working for the AVR7000.

**First Check:**

1. Make sure the batteries in the remote are installed correctly. (Plus and minus to correct terminals)
2. Make sure the area between the remote control and receiver is not blocked by some object, and the distance is no more than 15 feet at an angle no greater than 30 degrees from the front of the receiver.
3. Make sure strong lighting is not directed towards the IR sensor of the receiver.
4. Press each button on the remote and verify proper operation.

If these steps are taken and remote control still does not function properly –

**Probable Cause:**

Factory-supplied batteries.

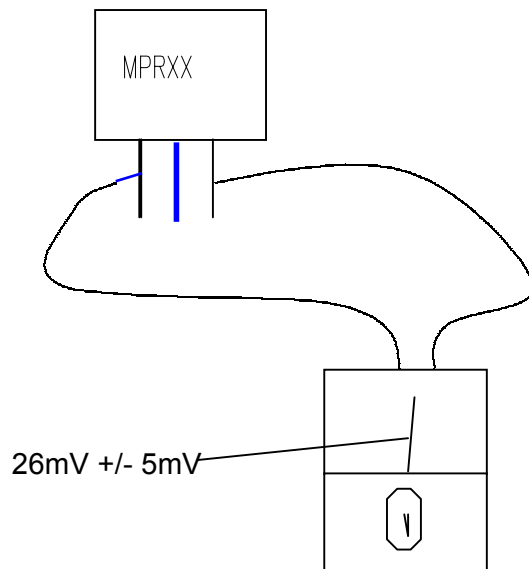
**Solution:**

1. Remove the batteries from the remote. Leave batteries out of the remote for a minimum of three minutes. This ensures the internal capacitors discharge, allowing the CPU in the remote to re-boot.
2. Reinstall **new alkaline batteries** (major brand recommended).
3. Press the AVR button and the Mute button at the same time until the red light illuminates under AVR.
4. Enter the numbers **0-0-1** on the numerical keypad.
5. Press the AVR button again.

Test the remote control. It should be functioning properly once this is completed.

## AVR7000 IDLE CURRENT ADJUSTMENT

- 1) 2-CH AMP and 3-CH AMP sections should be adjusted when they are intact on the Heat-sink
- 2) Initial warm-up and test condition: 1Khz - Signal input, SPKR-OUT(8ohm load), 5CH All driven
- 3) Warm up 3 minutes in step 2, then remove input signal
- 4) Emitter resistors - connections across MPR901,904, MPR907,910,913 as follows:  
adjust voltage to  $26\text{mV} \pm 5\text{mV}$  connected across opposite ends of resistor leads.
- 5) Potentiometers to adjust are as follows:
  - a) Front right channel (MPR901) - VR901
  - b) Front left channel (MPR907) - VL901
  - c) Center channel (MPR910) - VC901
  - d) Rear left channel (MPR913) - VSL901
  - e) Rear right channel (MPR904) - VSR901



# AVR700 TUNER ALIGNMENT

• Europe Mono 40kHz Stereo 67.5kHz

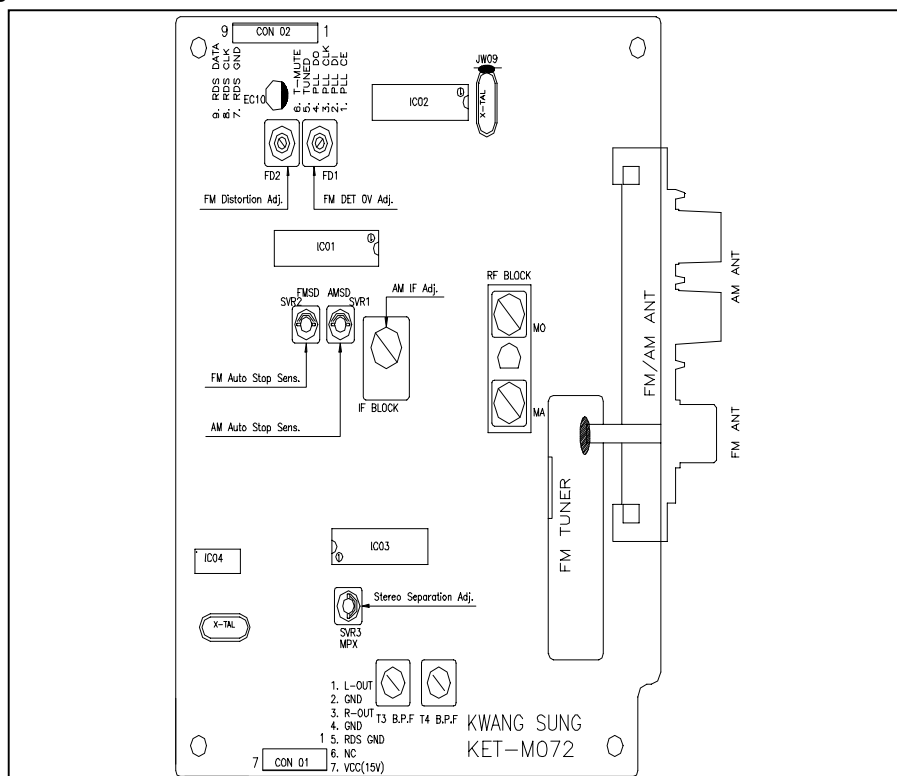
1. Electrical specificat • America Mono 75kHz Stereo 40kHz

NO.	ITEMS	SPECIFICATION			
		M	W	F	M
1-1	Local OSC	Above the receiving Frequency			
1-2	Frequency cover	•522 ~ 1620kHz		•87.5 ~ 108.0MHz	
		•520 ~ 1720kHz		•87.5 ~ 107.9MHz	
1-3	Standard supply	15.0 (+/-1.5V)			
1-4	FM Antenna input	75 ohm			
1-5	AM Loop Antenna	18uH ( 50 ohm )			

## 2. Electrical Characteristics.

NO	TEST ITEMS	TEST CONDITION	T.P.	T.L.	MOD.	Specification	UNIT	adjustment
				dBu	Hz,			
FM	AF Output L47	•Loa	•98.0	60	•40 •75	500±100	mV	on Adjust
	Auto Stop Sens.		•98.0	--	•40 •75	33.2 ±6	dBf	SVR2
	Stereo Separation	1kHz	•98.0	60		40 min	dB	SVR3
MW	AF Output L47	•Loac	•99.0	74	30	165±50	mV	on Adjust
	Auto Stop Sens.		•99.0	--	30	800±6	uV/m	SVR1

## 3. Adjustment Points



## AVR700 TUNER ALIGNMENT (con't)

Europe Mono 40kHz Stereo 67.5kHz Pilot 7

1. **Electrical spec:** America Mono 75kHz Stereo 40kHz Pilot 7.5

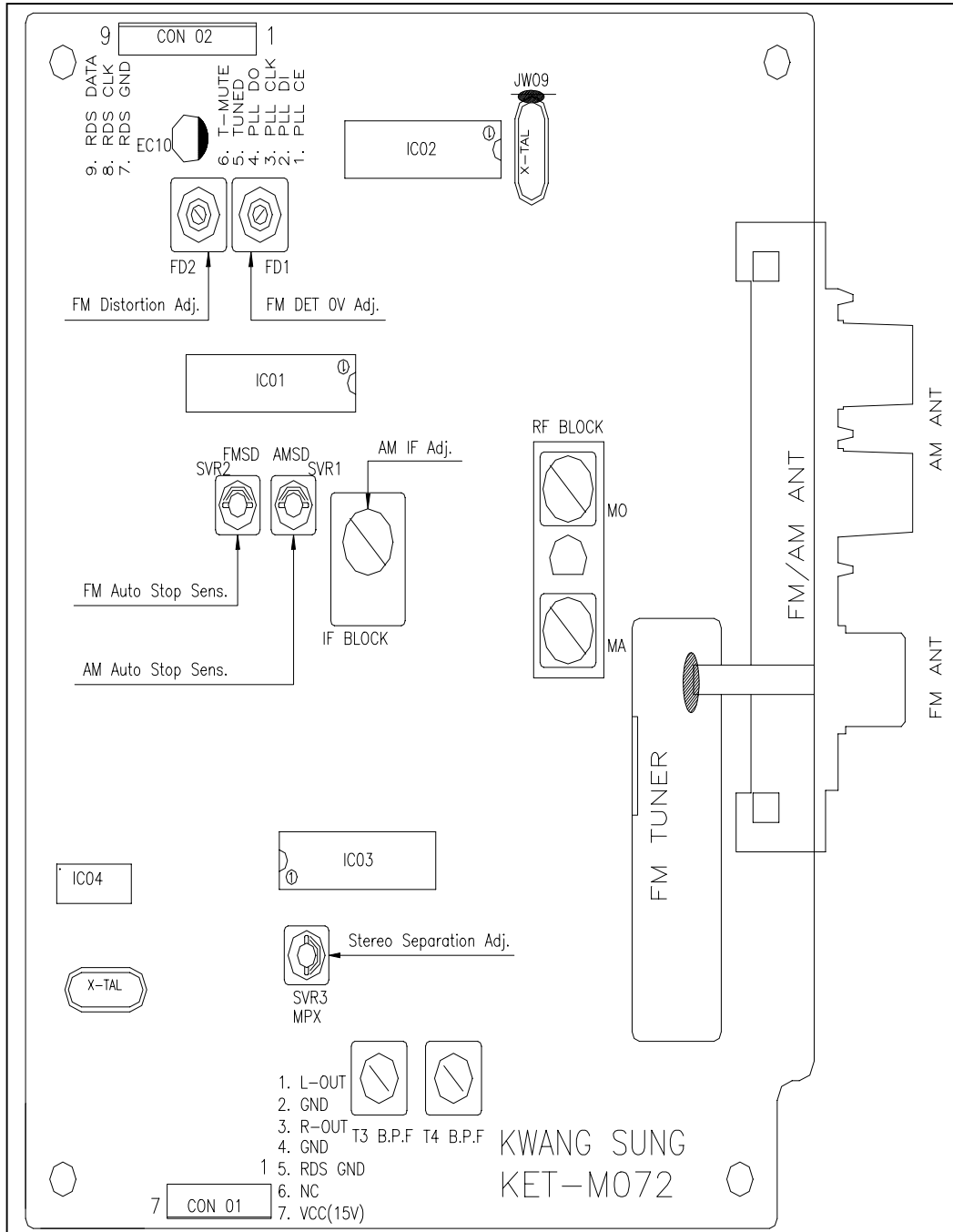
NO.	ITEMS	SPECIFICATION			
		M	W	F	M
1-1	Local OSC	Above the receiving Frequency			
1-2	Frequency cover ra	•522 ~ 1620kHz •520 ~ 1720kHz		•87.5 ~ 108.0MHz •87.5 ~ 107.9MHz	
1-3	Standard supply vo	15.0 (+/-1.5V)			
1-4	FM Antenna input I	75 ohm			
1-5	AM Loop Antenna	18uH ( 50 ohm )			

## 2. Electrical Characteristics.

NO	TEST ITEMS	TEST CONDITION	T.P.	T.L.MOD.		Specification	UNIT	adjustmen
				dBu	kHz, %			
FM	AF Output Le	47 • Load	•98.0 •98.1	60	•40 •75	500±100	mV	on Adjust
	Auto Stop Sens.		•98.0 •98.1	--	•40 •75	33.2 ±6	dBf	SVR2
	Stereo Separ	1kHz	•98.0 •98.1	60		40 min	dB	SVR3
MW	AF Output Le	47 • Load	•999 •1000	74	30	165±50	mV	on Adjust
	Auto Stop Sens.		•999 •1000	--	30	800±6	uV/m	SVR1

# AVR700 TUNER ALIGNMENT (con't)

## 3. Adjustment Points



# Troubleshooting Guide

SYMPTOM	CAUSE	SOLUTION
Unit does not function when Main Power Switch is pushed	<ul style="list-style-type: none"> <li>No AC Power</li> </ul>	<ul style="list-style-type: none"> <li>Make certain AC power cord is plugged into a live outlet</li> <li>Check to see if outlet is switch-controlled</li> </ul>
Display lights, but no sound or picture	<ul style="list-style-type: none"> <li>Intermittent input connections</li> <li><b>Mute</b> is on</li> <li>Volume control is down</li> </ul>	<ul style="list-style-type: none"> <li>Make certain that all input and speaker connections are secure</li> <li>Press <b>Mute</b> button</li> <li>Turn up volume control</li> </ul>
Unit turns on, but Front-Panel Display does not light up	<ul style="list-style-type: none"> <li>Display brightness is turned off</li> </ul>	<ul style="list-style-type: none"> <li>Follow the instructions in the Display Brightness section on page 31 so that the display is set to <b>VFD FULL</b></li> </ul>
No sound from any speaker; Light around power switch is red	<ul style="list-style-type: none"> <li>Amplifier is in protection mode due to possible short</li> <li>Amplifier is in protection mode due to internal problems</li> </ul>	<ul style="list-style-type: none"> <li>Check speaker wire connections for shorts at receiver and speaker ends</li> <li>Contact your local Harman Kardon service depot</li> </ul>
No sound from surround or center speakers	<ul style="list-style-type: none"> <li>Incorrect surround mode</li> <li>Input is monaural</li> <li>Incorrect configuration</li> <li>Stereo or Mono program material</li> </ul>	<ul style="list-style-type: none"> <li>Select a mode other than Stereo</li> <li>There is no surround information from mono sources</li> <li>Check speaker mode configuration</li> <li>The surround decoder may not create center or rear channel information from nonencoded programs</li> </ul>
Unit does not respond to remote commands	<ul style="list-style-type: none"> <li>Weak batteries in remote</li> <li>Wrong device selected</li> <li>Remote sensor is obscured</li> </ul>	<ul style="list-style-type: none"> <li>Change remote batteries</li> <li>Press the AVR selector</li> <li>Make certain front panel sensor is visible to remote or connect remote sensor</li> </ul>
Intermittent buzzing in tuner	<ul style="list-style-type: none"> <li>Local interference</li> </ul>	<ul style="list-style-type: none"> <li>Move unit or antenna away from computers, fluorescent lights, motors or other electrical appliances</li> </ul>
Letters flash in the Channel Indicator Display and Digital Audio stops	<ul style="list-style-type: none"> <li>Digital audio feed paused</li> </ul>	<ul style="list-style-type: none"> <li>Resume play for DVD</li> <li>Check that Digital Input is selected</li> </ul>
HDCD encoded disc does not trigger HDCD indicator	<ul style="list-style-type: none"> <li>Surround mode in use</li> <li>Analog feed in use</li> </ul>	<ul style="list-style-type: none"> <li>Select "Surround Off" mode</li> <li>Connect and select digital connection to CD player</li> </ul>

## Processor Reset

In the rare case where the unit's operation or the displays seem abnormal, the cause may involve the erratic operation of the system's memory or microprocessor.

To correct this problem, first unplug the unit from the AC wall outlet and wait at least three minutes. After the pause, reconnect the AC power cord and check the unit's operation. If the system still malfunctions, a system reset may clear the problem.

To clear the AVR 7000's entire system memory including tuner presets, output level settings,

delay times and speaker configuration data, first put the unit in Standby by pressing the **System Power Control** button **2**. Next, press and hold the **Tone Mode** **6** and the **FM Mode Selector** **12** buttons for three seconds.

The unit will turn on automatically and display the **RESET** message in the **Main Information Display** **W**. Note that once you have cleared the memory in this manner, it is necessary to re-establish all system configuration settings and tuner presets.

**NOTE:** Resetting the processor will erase any configuration settings you have made for

speakers, output levels, surround modes, digital input assignments as well as the tuner presets. After a reset the unit will be returned to the factory presets, and all settings for these items must be reentered.

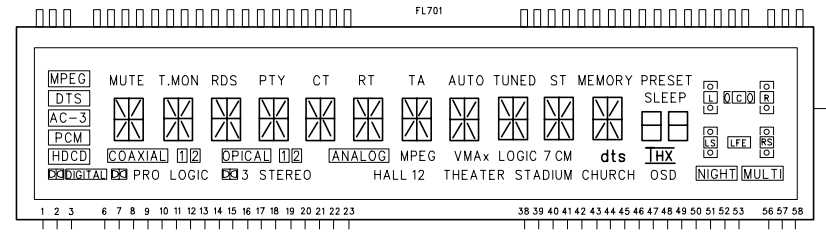
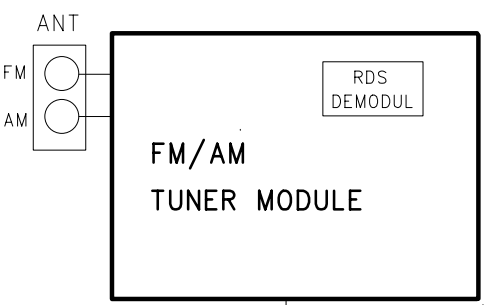
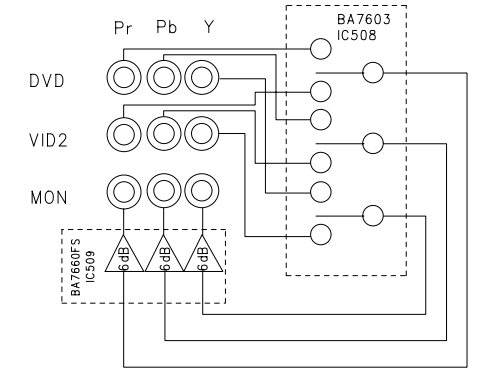
If the system is still operating incorrectly, there may have been an electronic discharge or severe AC line interference that has corrupted the memory or microprocessor.

If these steps do not solve the problem, consult an authorized Harman Kardon service depot.

# BLOCK DIAGRAM

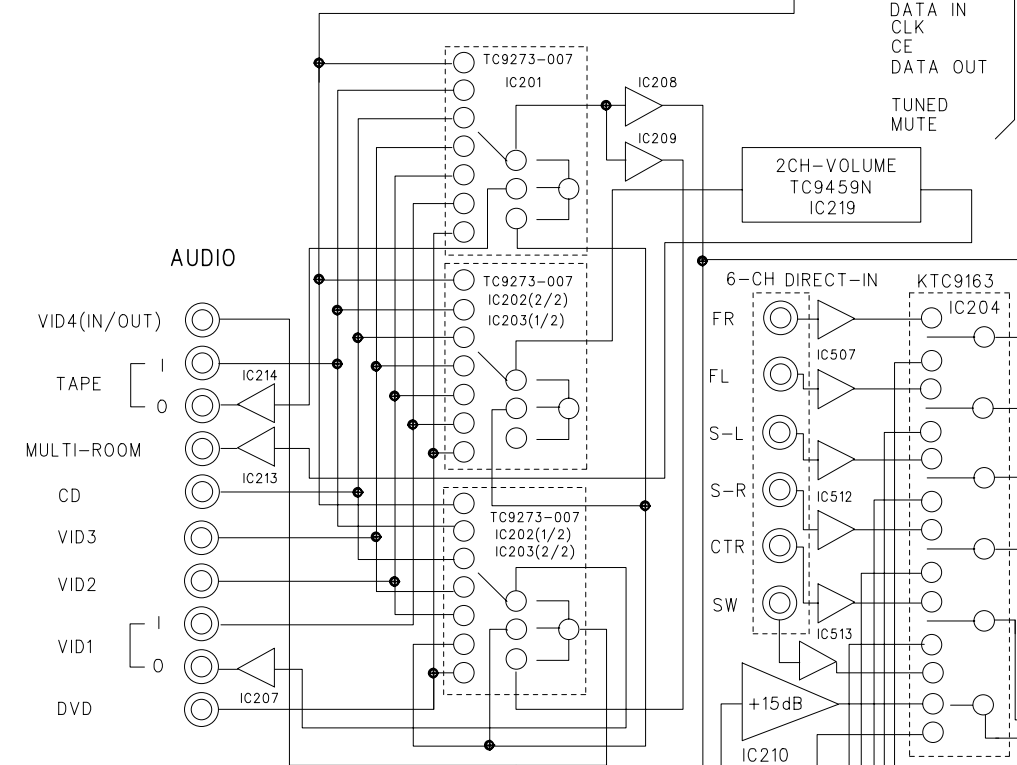
NO	DATE	POS.	CONTENTS	NO	DATE	POS.	CONTENTS

## COMPONENT VIDEO

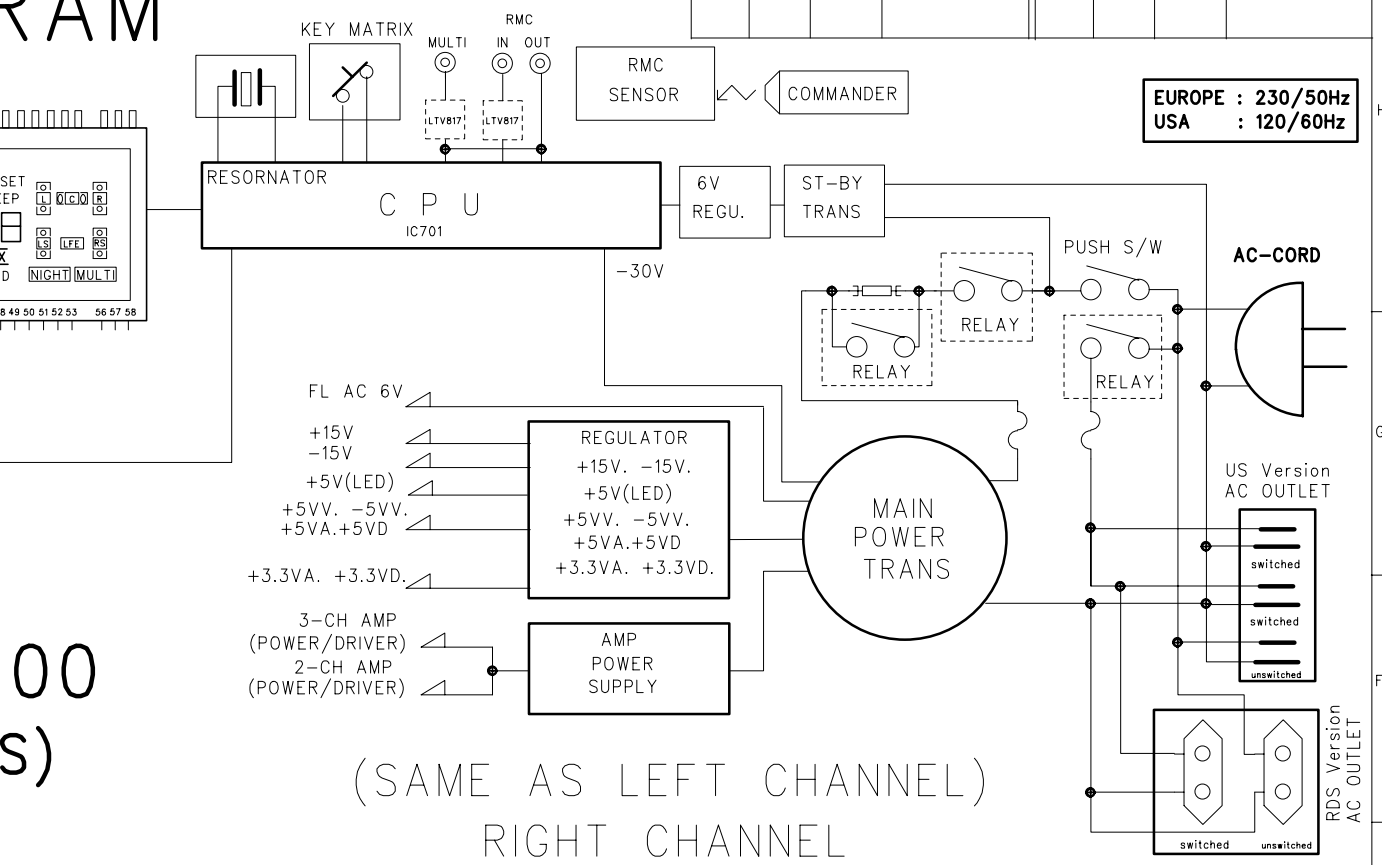
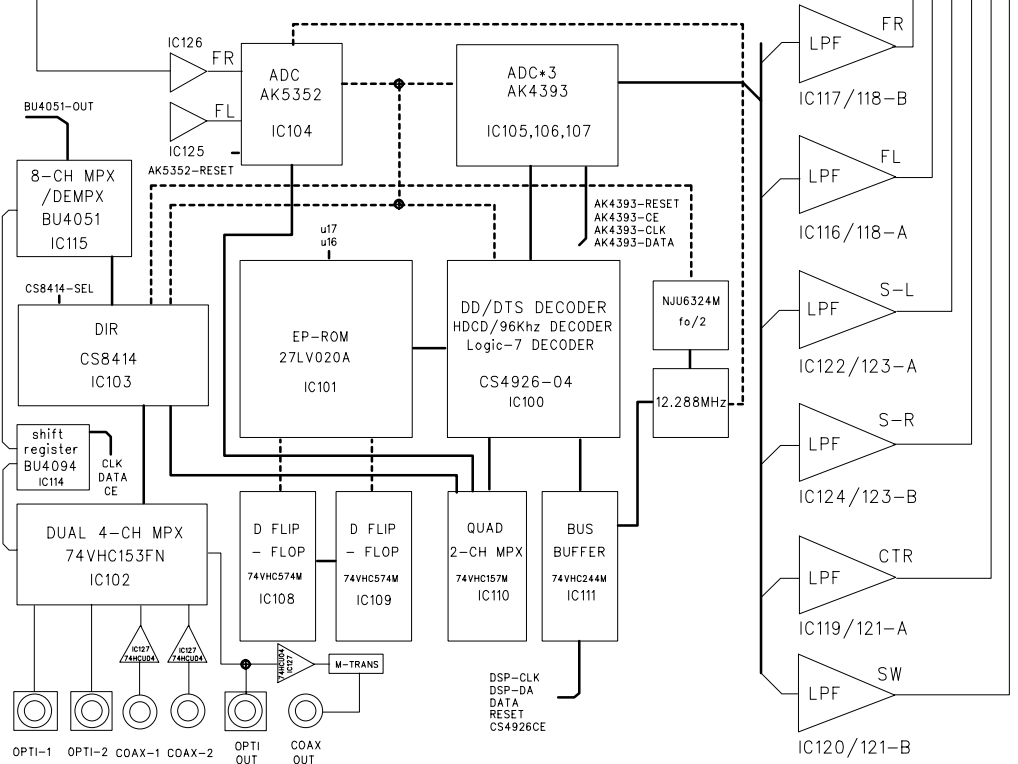
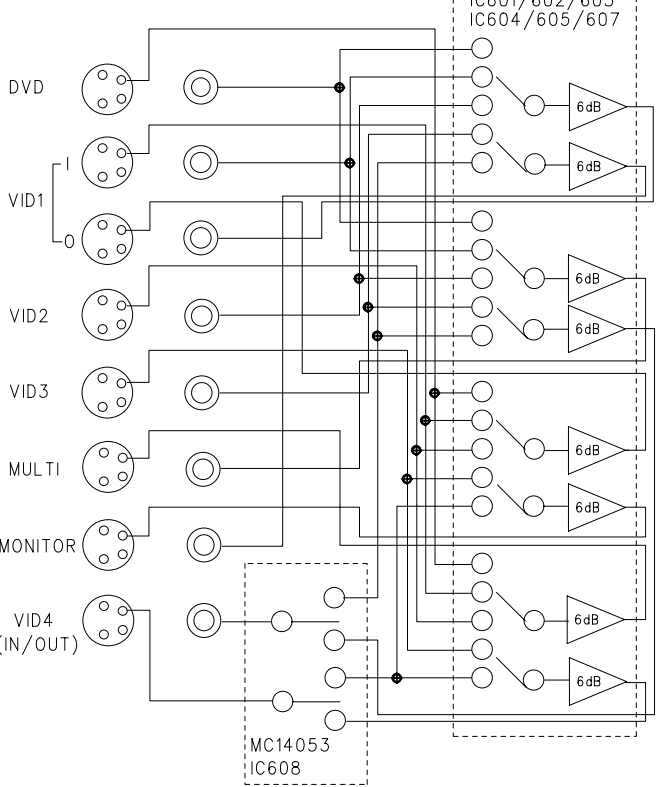


- VIDEO PARTS
- SUPPLY PART
- TUNER PARTS
- DD/DTS PARTS
- PRE PARTS
- MAIN AMP PARTS
- POWER SUPPLY PARTS

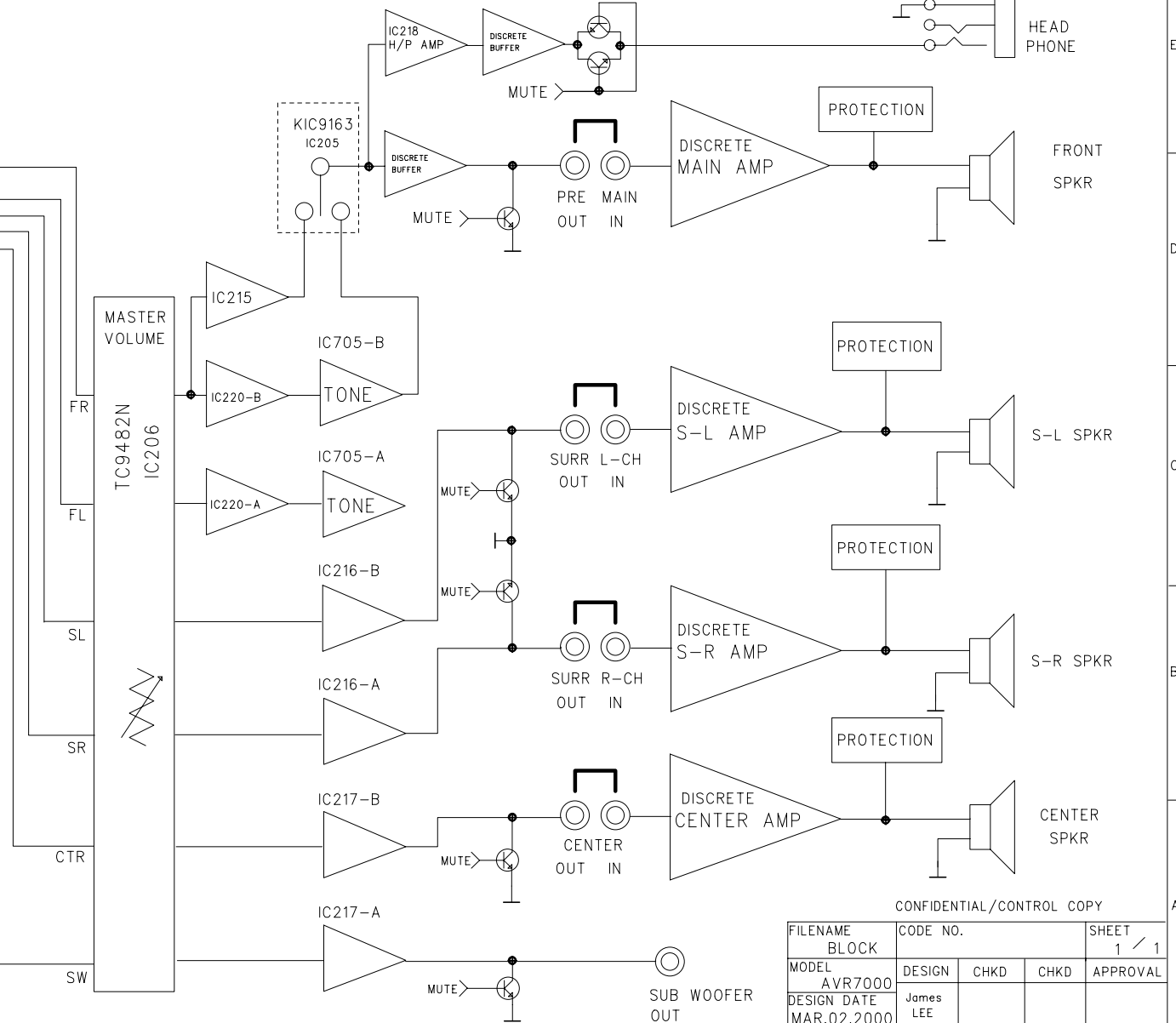
## MODEL: AVR7000 (US/RDS)



## C-VIDEO/S-VIDEO



## (SAME AS LEFT CHANNEL) RIGHT CHANNEL

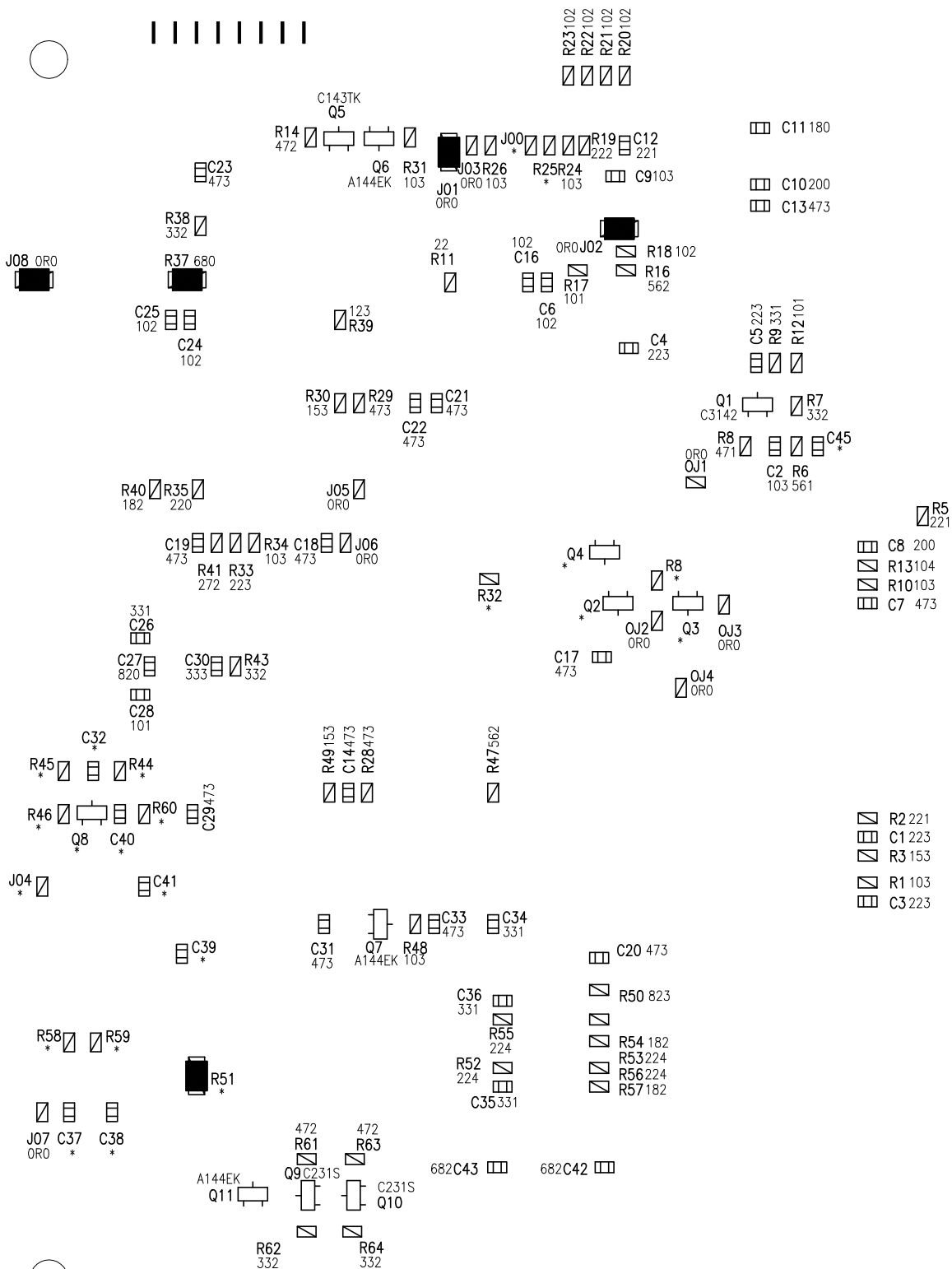


CONFIDENTIAL/CONTROL COPY

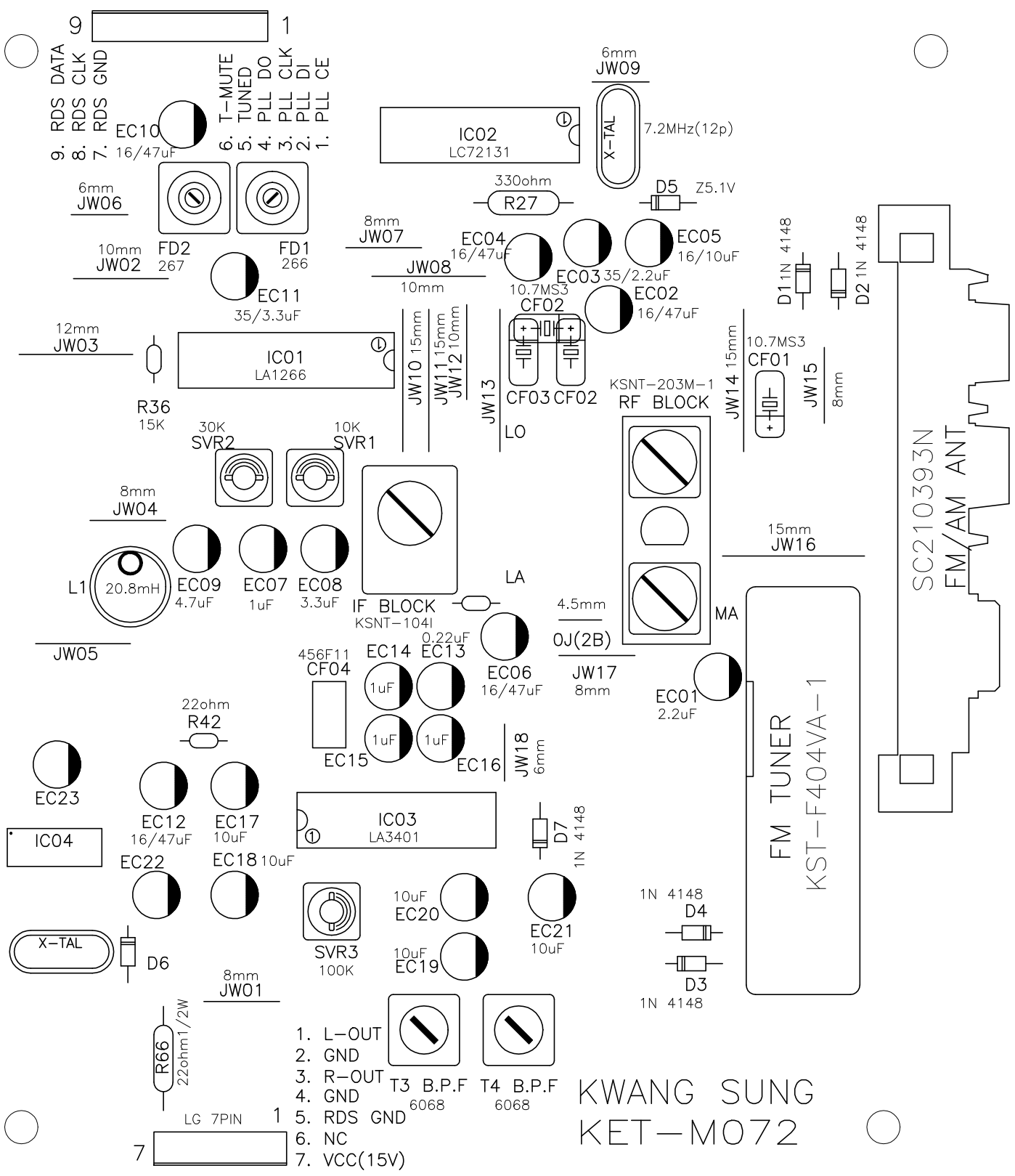
FILENAME BLOCK	CODE NO.	SHEET 1 / 1
MODEL AVR7000	DESIGN James LEE	CHKD
DESIGN DATE MAR.02.2000	CHKD	APPROVAL

TTC CO.,LTD

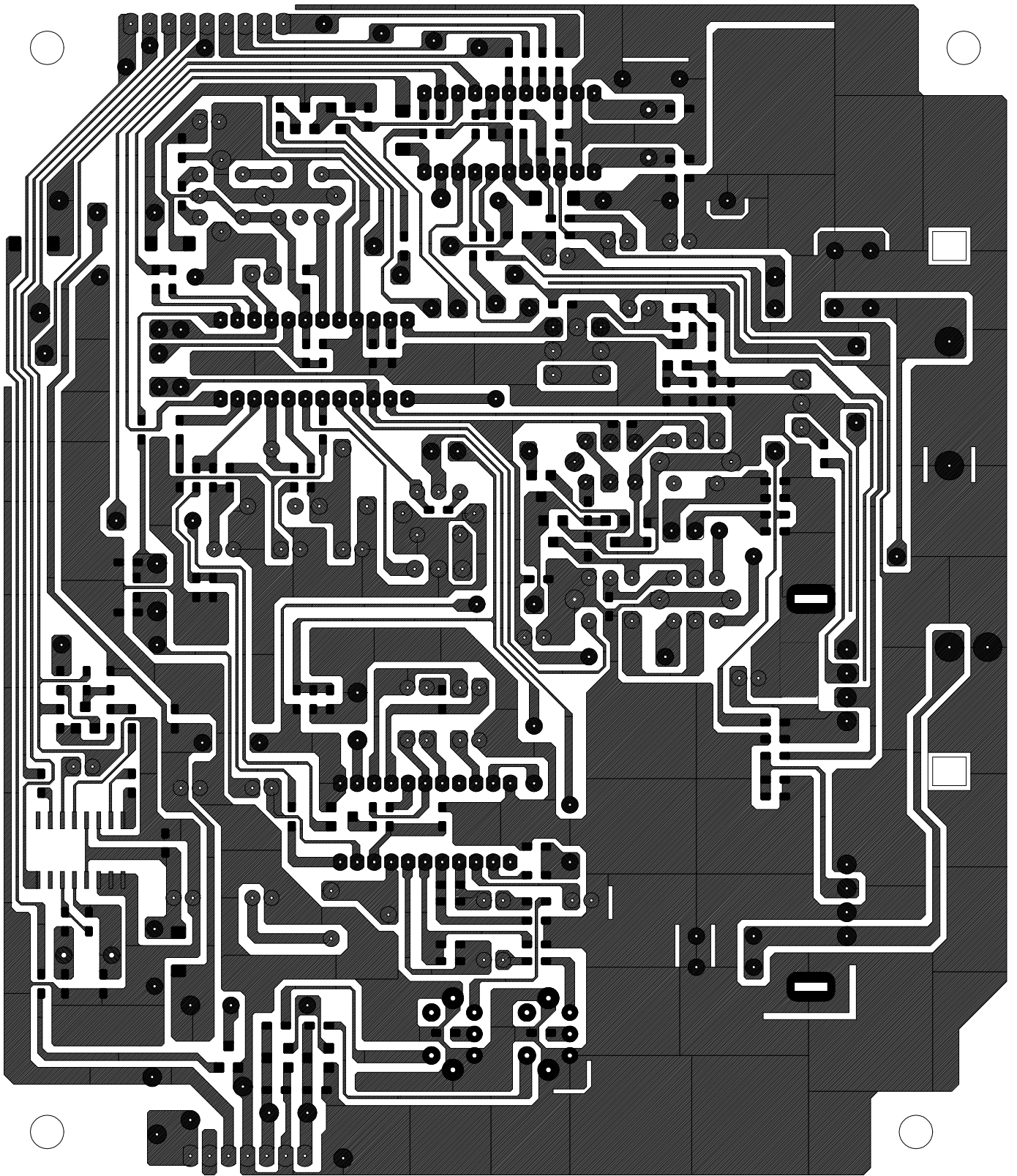




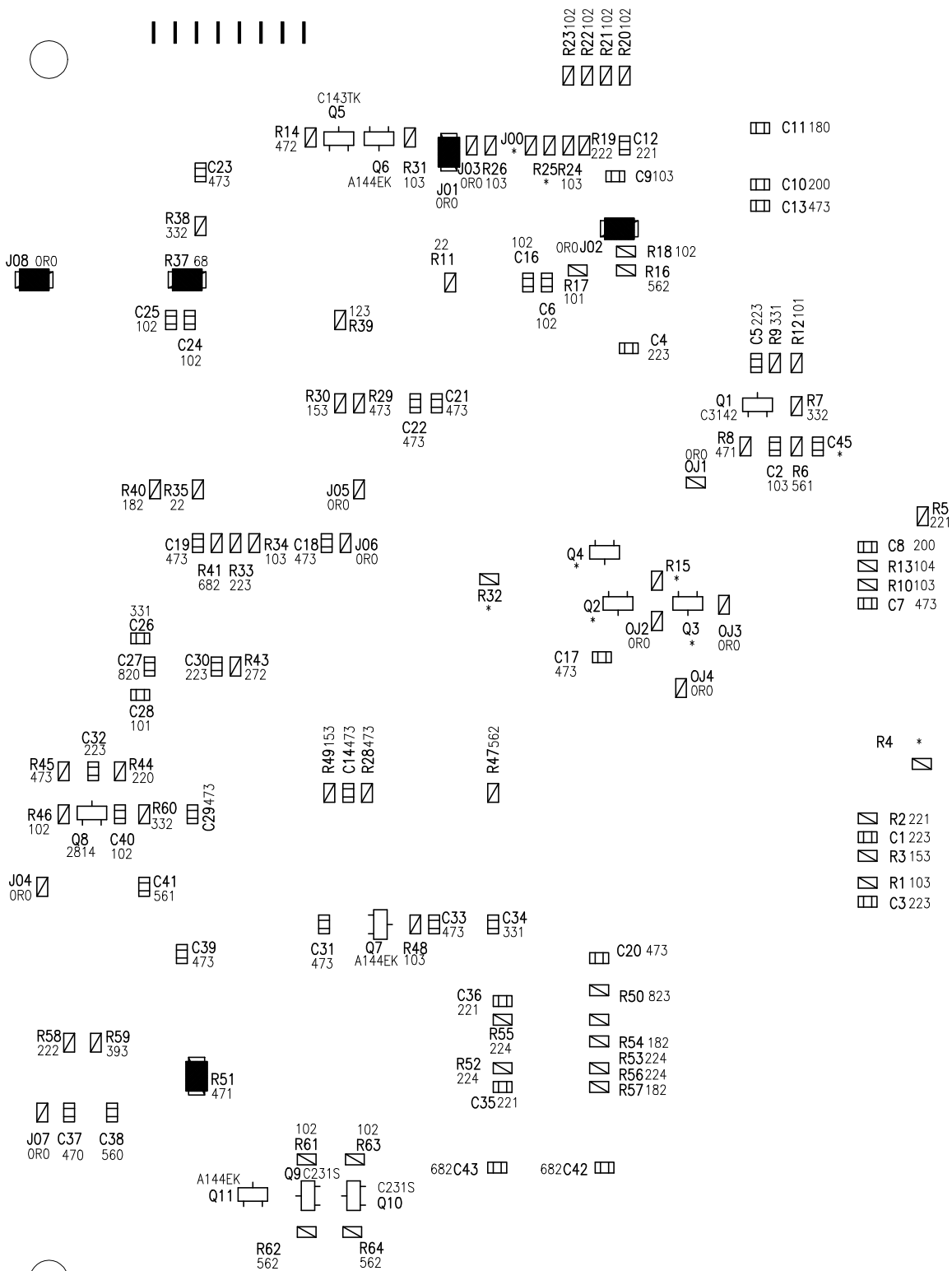
MODEL : KST-M7014MW0-1



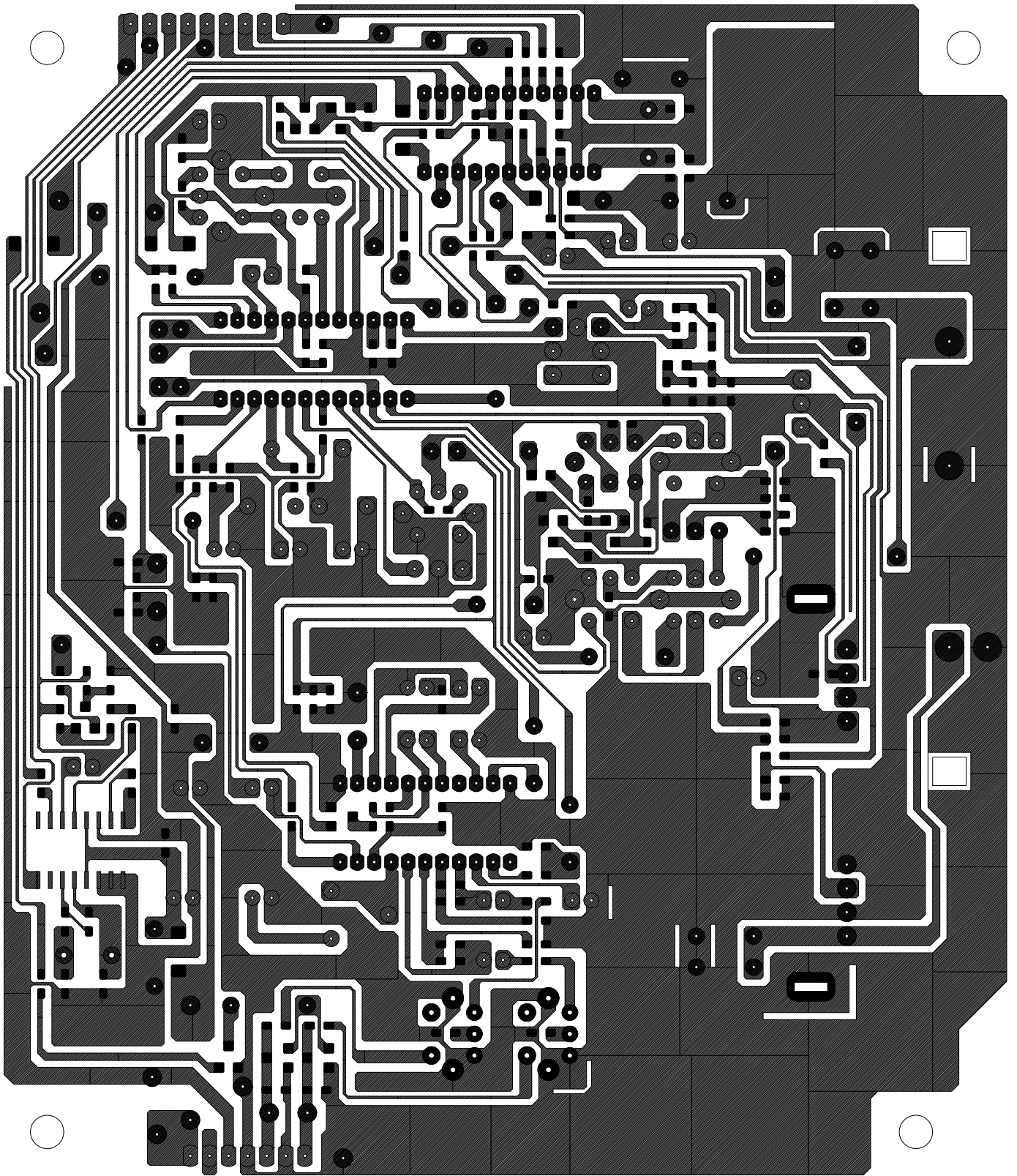
MODEL : KST-M7014MW0-1



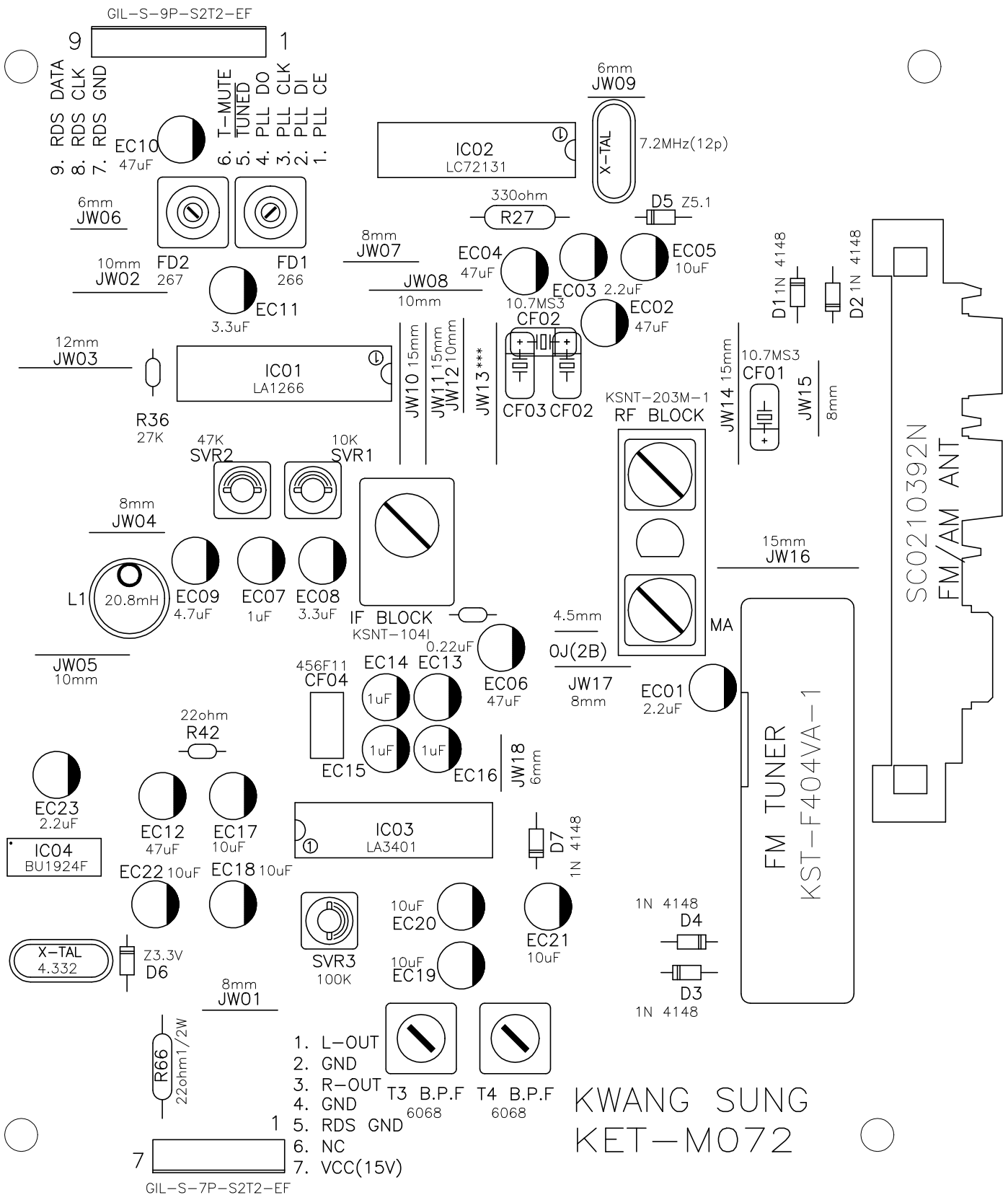
MODEL : KST-M7014MW0-1



MODEL : KST-M7114MW1-1



MODEL : KST-M7114MW1-1



KWANG SUNG  
KET-M072

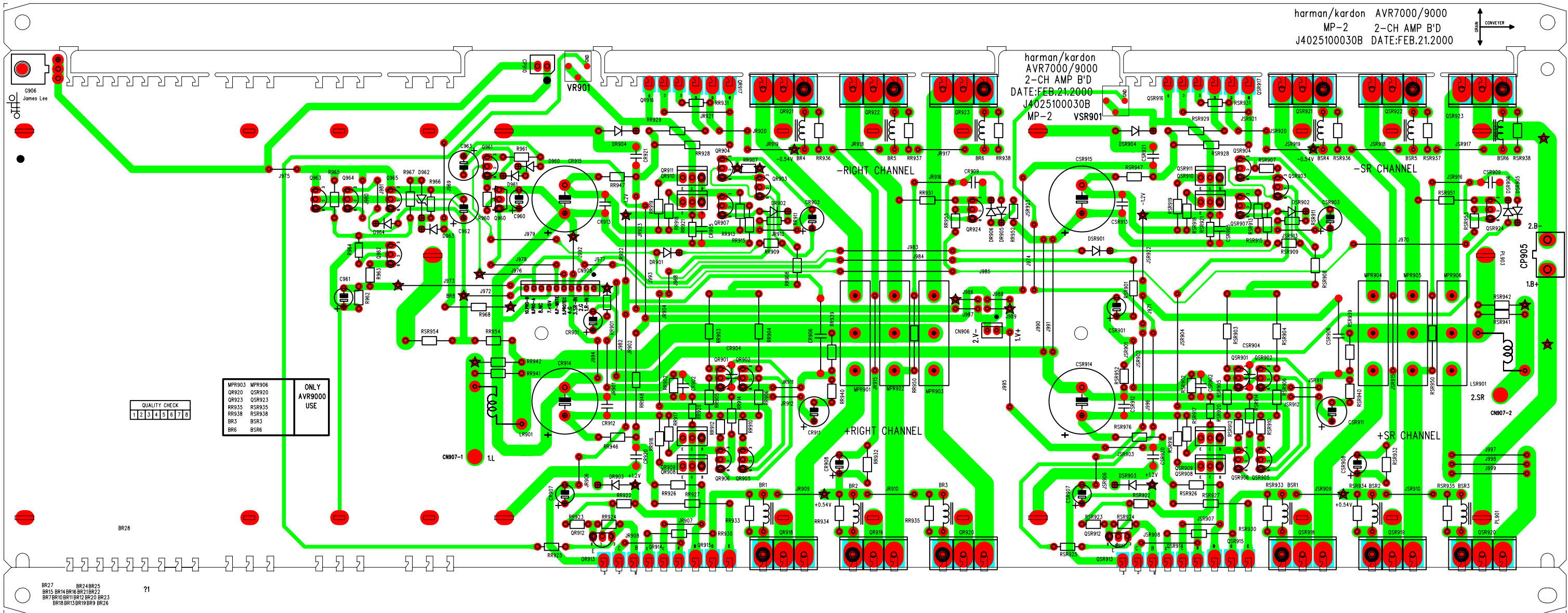
MODEL : KST-M7114MW1-1



harman/kardon AVR7000/9000  
MP-2 2-CH AMP B'D  
J4025100030B DATE:FEB.21.2000



harman/kardon  
AVR7000/9000  
2-CH AMP B'D  
DATE:FEB.21.2000  
J4025100030B  
MP-2 VSR901



QUALITY CHECK  
1 2 3 4 5 6 7 8

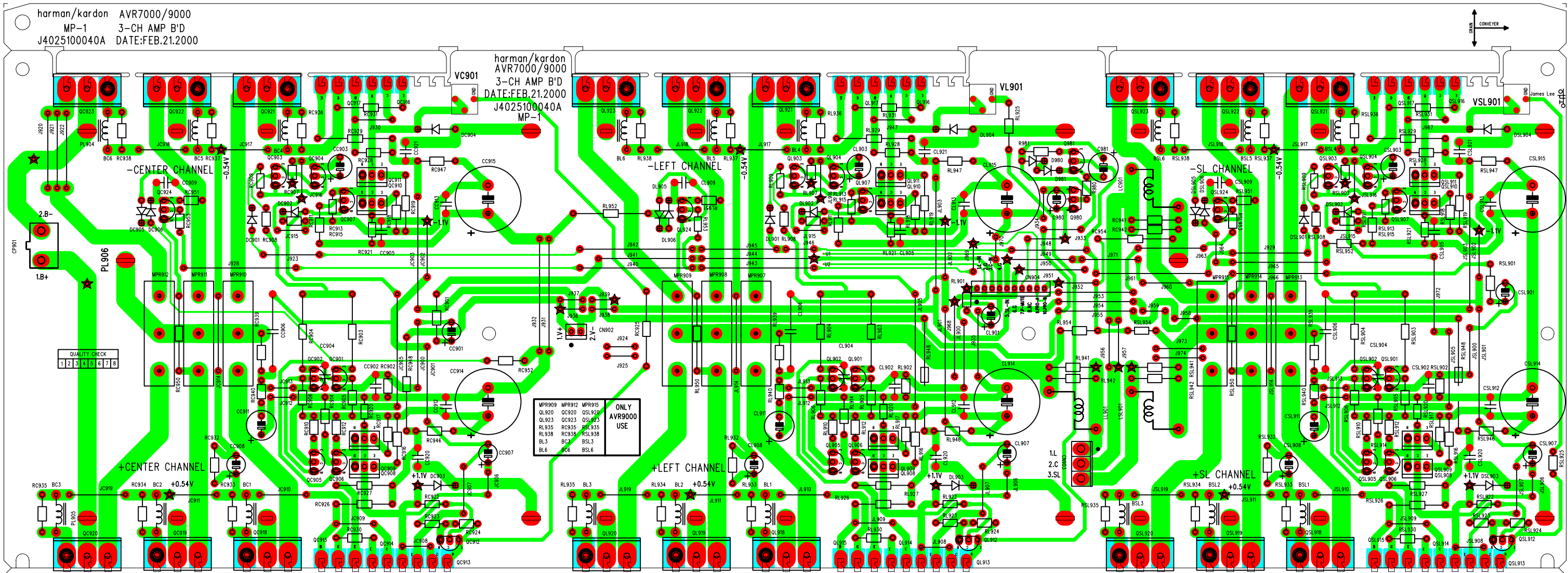
MPR903	MPR906
QR920	QSR920
QR923	QSR923
RR935	RSR935
RR938	RSR938
BR3	BSR3
BR6	BSR6

ONLY  
AVR9000  
USE

71

harman/kardon AVR7000/9000  
 MP-1 3-CH AMP B'D  
 J4025100040A DATE:FEB.21.2000

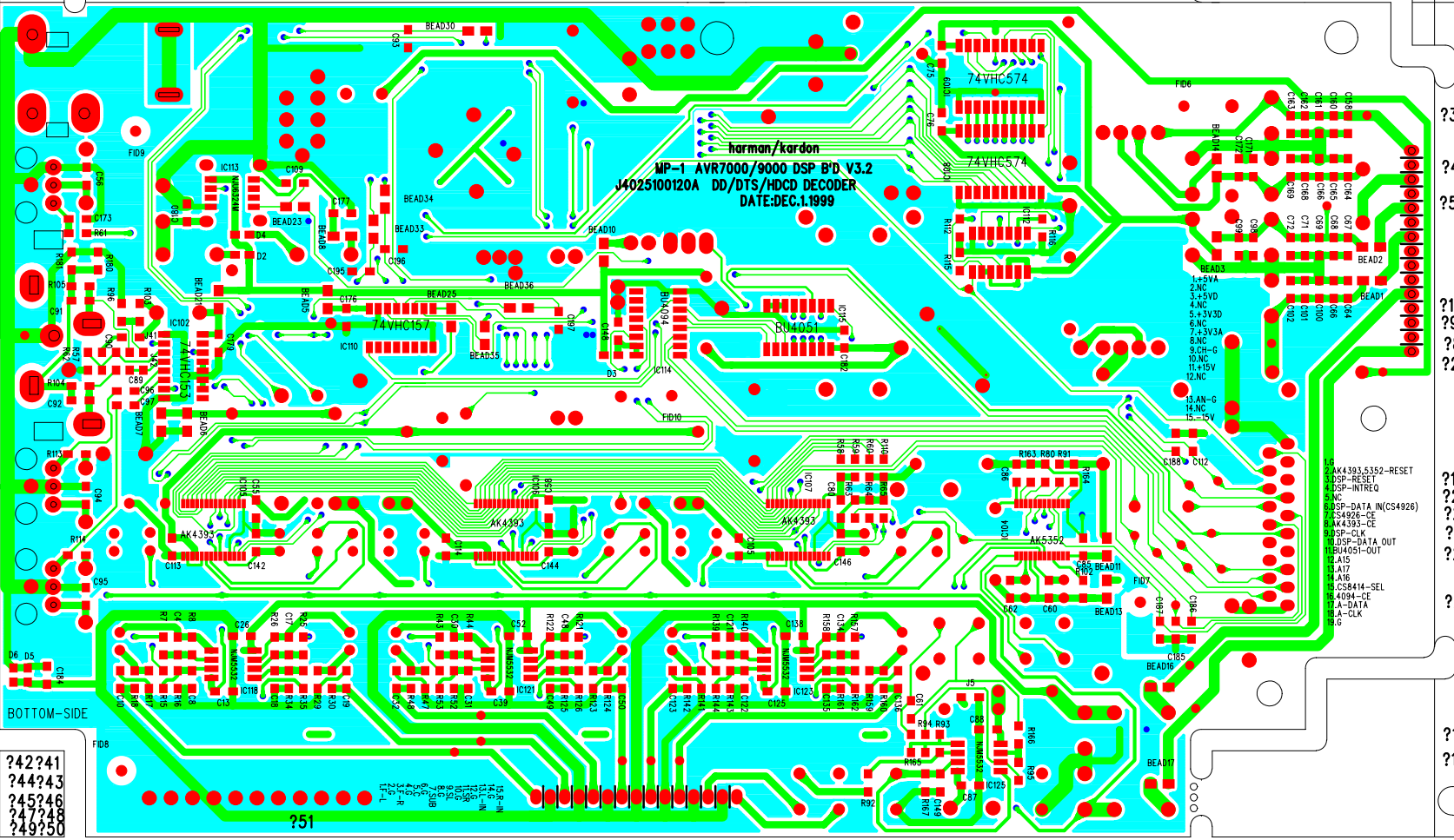
harman/kardon  
 AVR7000/9000  
 3-CH AMP B'D  
 DATE:FEB.21.2000  
 J4025100040A  
 MP-1



ONLY  
 AVR9000  
 USE

W9W16W6W19W21W23W28 ?1 ?3  
 W5W10W7W11W22W24W27 ?2 ?7  
 W14W12W13W8W20W26 ?4 ?5 ?8  
 W15W4W17W18W3W25W29 ?6





harman/kardon  
 MP-1 AVR7000/9000 DSP B'D V3.2  
 J4025100120A DD/DTS/HDC DECODER  
 DATE:DEC.1.1999

242?41  
 244?43  
 245?46  
 247?48  
 249?50

?51

?3  
 ?4  
 ?5  
 ?18  
 ?9  
 ?8  
 ?25  
 ?31  
 ?19 ?7  
 ?20 ?6  
 ?21 ?30  
 ?22 ?27  
 ?23 ?28  
 ?24  
 ?29 ?26  
 ?17?15  
 ?11 ?10?13  
 ?16 ?14 ?12

- 1.+5VA
- 2.+5V
- 3.+5VD
- 4.NC
- 5.+3V3D
- 6.NC
- 7.+3V3A
- 8.NC
- 9.CH-G
- 10.NC
- 11.+15V
- 12.NC
- 13.AN-G
- 14.NC
- 15.+15V

- 16
- 17 AK4393.5352-RESET
- 18 DSP-RESET
- 19 DSP-INTREQ
- 20 .NC
- 21 DSP-DATA\_IN(CS4926)
- 22 S4926-CE
- 23 AK4393-CE
- 24 DSP-CLK
- 25 DSP-DATA\_OUT
- 26 BU4051-OUT
- 27 A15
- 28 A17
- 29 A16
- 30 CS8414-SEL
- 31 A04-CE
- 32 A-DATA
- 33 A-CLK
- 34 G

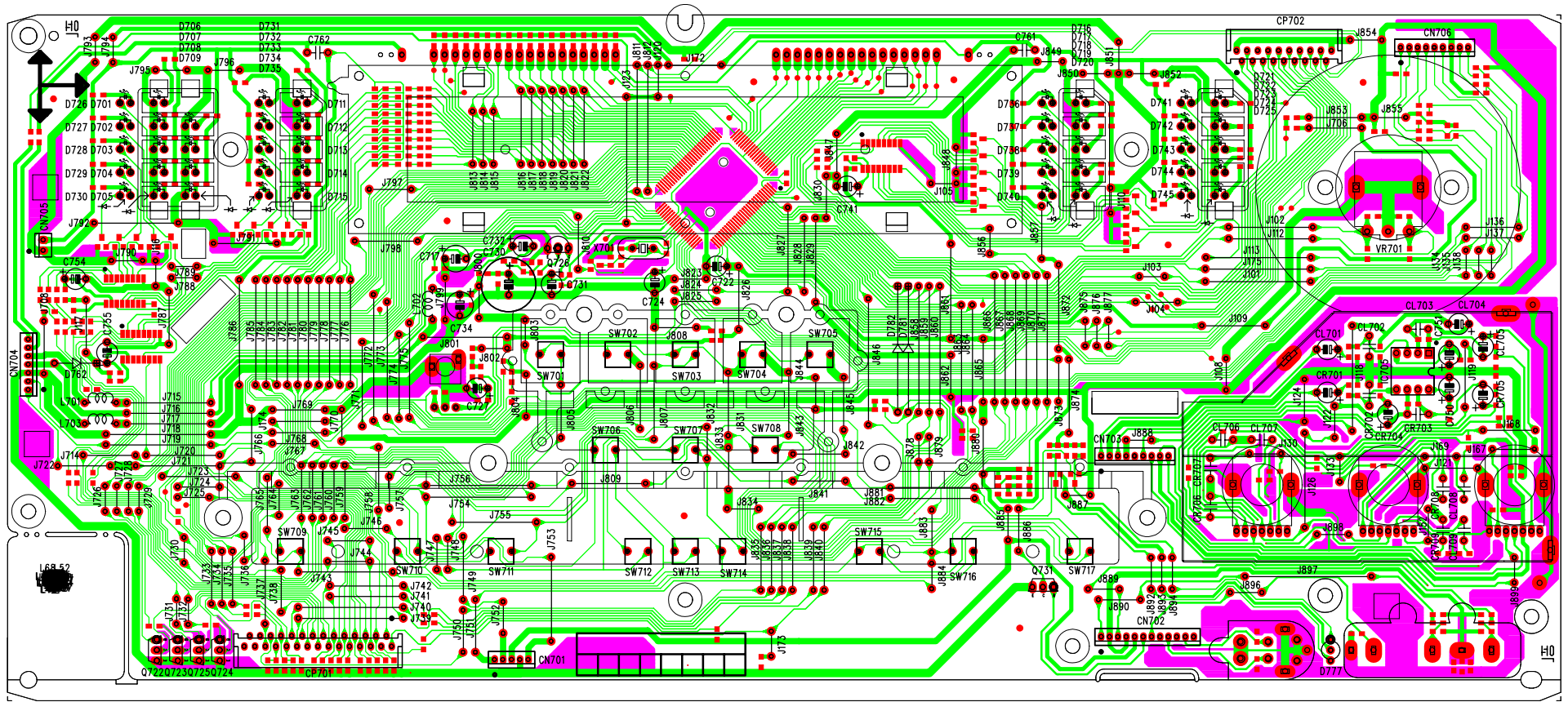
QUALITY CHECK							
1	2	3	4	5	6	7	8

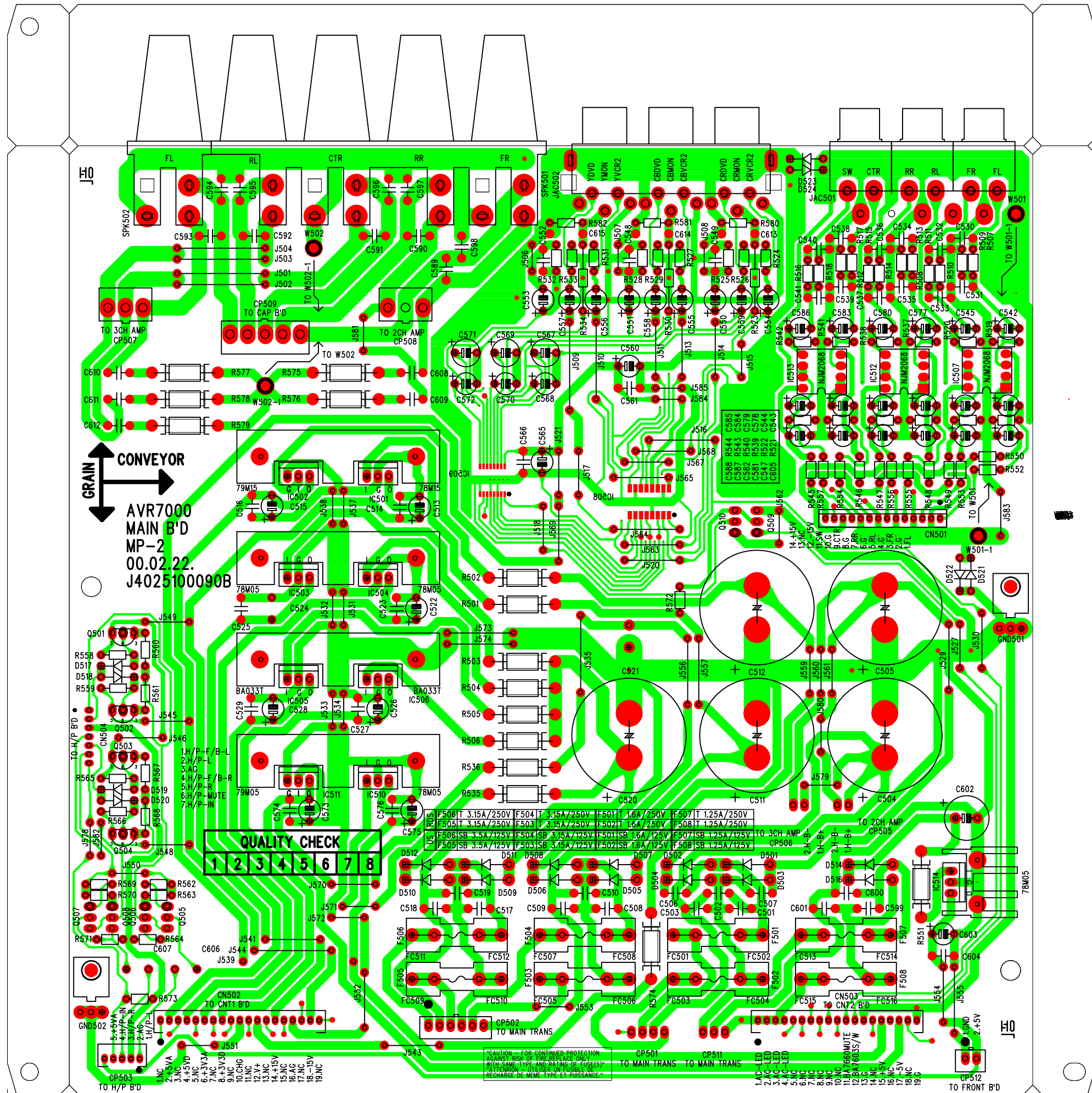
?32  
?122  
  
?33  
?36  
?37  
?38  
?40

- 1.G
- 2.AK4393.6352-RESET
- 3.DSP-RESET
- 4.DSP-INTREQ
- 5.NC
- 6.DSP-DATA IN(CS4926)
- 7.CS4926-CS
- 8.AK4393-CS
- 9.DSP-CLK
- 10.DSP-DATA OUT
- 11.BU4051-OUT
- 12.A15
- 13.A17
- 14.A16
- 15.CS8414-SEL
- 16.A094-CE
- 17.A-DATA
- 18.A-CLK
- 19.G

harman/kardon  
AVR7000/9000 DSP B'D V3.2 MP-1  
DD/DTS/HDCD DECODER J4025100120A  
DATE:DEC.1.1999

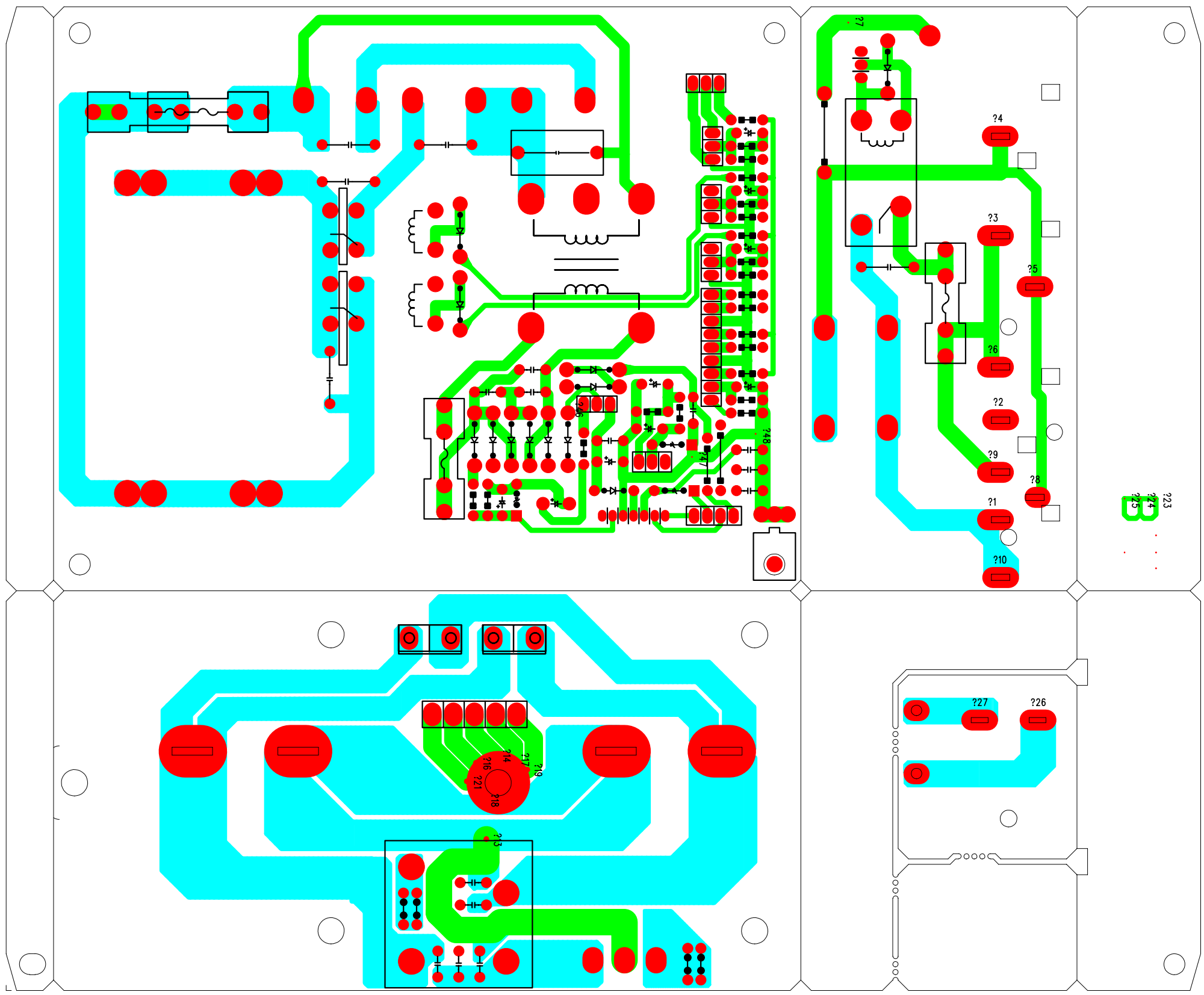
TOP-SIDE











?23  
?24  
?25  
?26  
?27  
?28  
?29

213  
214  
216  
221

?26  
?27







## AVR 7000 EXPLODED VIEW PART LIST

NO	PARTS CODE	PARTS NAME	Q'TY	MATERIAL & SPEC	NO	PARTS CODE	PARTS NAME	Q'TY	MATERIAL & SPEC
1	J80100001000	COVER TOP	1	SECC+VCM	51				
2	J46208000004	SW POWER-TV-R,12BA/250WAC	1	ESB91511A	52	J44001200300	TERMINAL SCREW 2P DR	1	SH0210381P
3	J80300012000	BKT SW POWER	1	SECC 1.0I	53	J44001800200	TERMINAL SCREW 8P DR	1	SH0810361P
4	J85810010000	GUIDE POWER SW	1	HIPS 944B	54	J44308000000	JACK RCA 8P RUGRUGRUG	1	JK090122LN
5	J85200049000	BUTTON POWER	1	HIPS 944B	55	J70800003000	STUD 55	2	BRASS
6	J45600500002	SW TACT AUTOCLG	18	SKHY10910A	56	J70800002000	STUD 54	2	BRASS
7	J85400019000	INDICATOR STANDBY	1	SAN	57	J2822110014X	A'SST POWER TRANS	1	
8	J85200052000	BTN STANDBY	1	HIPS 944B	58	J60110001000	PANEL REAR	1	SECC 1.0I
9	J85400021000	ENDCAP LEFT	1	HIPS 944B	59	J44900000000	AC OUTLET	1	A206D00548
10	J85500004000	FILTER DISPLAY ACRYL 0.5X	1	R2117	60	60000000000	CH MAIN	1	SECC 1.2I
11	J85940002000	DIFFUSER	2	PET 713F	61	J85900061000	A'SSY FOOT	4	ABS+TPR
12	J85810011000	GUIDE BTN 5 KEY	1	HIPS 944B	62	J43730100200	CORD AC POWER	1	
13	J60550003000	BADGE harman/kardon	1	ELECTROFORMING	63	J60300002000	BKT PHONE	1	SECC 1.0I
14	J85300011000	WINDOW DISPLAY ACRYL	1	MTHUBSH 530	64	J60510003100	HEATSINK BRIDGE	1	AL 6063-T5
15	J80400000000	PANEL FRONT AL	1	AL 6063-T5	65	J85400020000	INDICATOR VIDEO 4	1	SAN
16	J80540000000	A'SSY KNOB MAIN	1	AL+HIPS 944B	66	J80530001000	HEATSINK 46X12X45H	4	AL 6063-T5
17	J85100008000	KNOB TONE	3	HIPS 944B	67	J60530003000	HEATSINK 17X15X45H	1	AL 6063-T5
18	J85000007000	BODY FRONT	1	HIPS 944B	68	J94100001000	JUMPER PLUG	5	
19	J85400022000	ENDCAP RIGHT	1	HIPS 944B	69	J5541003012X	CUSHION RUBBER 30X30X12H	2	
20	J44329000102	JACK PHONE KUNMING	1	HTJ-064-07BC	70	J94100002000	SHIELD FORM 717SN 10-B-33	3	
21	J85200050000	BTN 7 KEY	1	HIPS 944B	71	J94100003000	SHIELD FORM 717SN 4D-2-40	1	
22	J85200051000	BTN 3 KEY	1	HIPS 944B	72	J855400009000	PLATE SPRING GND	3	C5212
23	J85300053000	BTN 5 KEY	1	HIPS 944B	73	J80300037000	BKT TOP	2	SECC 2.0I
24	J2352220021X	VFD MORTAKE	1	CM19010	74	J44306000001	JACK RCA 6P WWWWRR JW	1	JW-4105DR
25	J44311000100	JACK S-VIDEO DAERYUNG	1	C40160261N	75	J805100095000	HEATSINK K(O)DSP	1	AL PLATE 1.0I
26	J44303000100	JACK RCA 3P YWR DAERYUNG	1	JK0300081G	76	J67200005000	INSULATION PC	1	PC PLATE 0.5X
27	J80600008000	SHIELD FENCE TONE	1	ET 0.5X	77	J80300048000	BKT SIDE	2	SECC 1.2I
28	J32616100001	ENCODER J/ALPS	1	EC16824204	78	J80600013000	SHIELD BKT EM	1	SECC 1.0I
29	J80020000300	CH FRONT	1	SECC 1.2I	79	J80600015000	SHIELD PLATE SMALL	5	G-11 0.3I
30	J85940003000	REFLECTOR 3	3	HIPS 944B	80	J80600016000	SHIELD PLATE LARGE	5	G-11 0.3I
31	J85810009000	FL GUIDE	1	HIPS 944B	81	J80600017000	SHIELD DSP	1	PAPER 0.18R AL 0.05R PE 0.11
32	J85940001000	REFLECTOR 1	1	HIPS 944B	82	J80600018000	SHIELD PREAMP	1	
33	J52220000910X	BKT HEATSINK	13	SECC 1.0I					
34	J80500003000	HEATSINK POWER 3CH	1	AL 6063-T5					
35	J80300017000	BKT JUMPER LONG	4	ET					
36	J80300016000	BKT JUMPER SHORT	2	ET					
37	J80500004000	HEATSINK POWER 2CH	1	AL 6063-T5					
38	J4433201200X	JACK 1P KUNMING	1	HTJ035-12EBT					
39	J4433220130X	JACK 2P HOSIDEN	1	HSN02-01-109-90					
40	J44312000200	JACK RCA+S-VIDEO YB	7	C5016030---					
41	J44301000300	JACK RCA 1P B	2	JED10003PN					
42	J2123806001X	FIBER OPTICAL MODULE	1	TRRX178A					
43	J44302000700	JACK RCA 2P BB DAERYUNG	1	JK020008LN					
44	J2123806002X	FIBER OPTICAL MODULE	2	TO7X178					
45	J44304000300	JACK RCA 4P W88R DR	1	JK040045KN					
46	J44306000101	JACK RCA 6P WWWWRR JW	4	JW-4105PSS					
47	J70800000100	STUD 34	2	BRASS					
48	J80300013000	BKT SUPPORT	1	SECC 1.0I					
49	J70800000400	STUD 62.6	2	BRASS					
50	J80300015000	BKT PREAMP PCB	1	SECC 1.0I					

NO	PARTS CODE	PARTS NAME
W1	5541-001-020	WASHER FLAT P/W 3.30X0.00X5 MC
W2	5541-001-010	WASHER SPRING NO.2 M3 MC
W3	5541-001-030	WASHER SPRING NO.2 M4 MC
W4	5541-001-040	WASHER FLAT P/W 4.7X1.2X1 MC

NO	PARTS CODE	PARTS NAME
S1	J5636140010X	SCREW A123010002 BITB 3X10B
S2	J5636140040X	SCREW A183008000 BITN W3X8Y
S3	J5636140150X	SCREW A180400802 #2 WPT4XB
S4	J81000300810	SCREW BM 3X8Y
S5	J81000400810	SCREW BM 4X8Y
S6	J5636140270X	SCREW A124010000 BITB 4X10Y
S7	J5636140030X	SCREW A113016000,BITB 3X16Y
S8	J5636140080X	SCREW A124008000,BITB 4X10Y
SG	J5636140290X	SCREW 3X10B BLACK GND



# AVR7000 MECHANICAL PARTS LIST

---							
JE99005307EA	MNBD ASM 7000RDS	1		J5541001020X	WASHER FLAT	1	
JE99005307UA	MNBD ASM AVR7000	1		J2822110014X*	POWER TRANS 120/60	1	
JE99005507EA	FRBD ASM 7000RDS	1		J2822410014X*	POWER TRANS 230/50	1	
JE99005507UA	FRBD ASM AVR7000	1		J43730100200*	CORD AC POWER	1	
JE99005907UA	PREBD ASM AVR7000	1		J43731100200*	CORD AC POWER RDS	1	
JE99006307EA	VIDBD ASM 7000RDS	1		J43732100200*	CORD AC POWER SG	1	
JE99006307UA	VIDBD ASM AVR7000	1		J60110001000	PANEL REAR SECC	1	
JE99006707UA	DSPBD ASM AVR7000	1		J60110001001	PANEL REAR 7000RDS	1	
JE99007107EA	SUPBD ASM 7000RDS	1		J60110001002	PANEL REAR 7000SG	1	
JE99007107UA	SUPBD ASM AVR7000	1		J5636140010X	SCREW	1	
JE99007307UA	2CH AMPBD ASM 7000	1		J5636140040X	SCREW	1	
JE99007507UA	3CH AMPBD ASM 7000	1		J81000300810	SCREW BM3*6Y	1	
JAVR7000XXXX	EXPLODED VIEW			J5636140150X	SCREW	1	
B2822110014X	TRABASFORM BOTTOM			JAVR7000SCRW	SCREW 3X12PT	1	
T2822110014X	TRABASFORM TOP			J5636140080X	SCREW A124008000	1	
JHKEAVRC0001	AVR7000 SPEC			J5636140270X	SCREW	1	
JHKE450001	PEC RELIA TEST			J90720301080	SCREW 3*10 TEETH T	1	
J6171140010X	WIRE TIE NYLON6	1		J5636130080X	SCREW	1	
J4099100070X	TUMER MODULE US	1		J5541001030X	WASHER SPRING	1	
J4099100090X	TUNER MODULE RDS	1		J5541001040X	WASHERPLAT INNER	1	
J5541003012X	CUSHION RUBBER	1		20290110XX	LUBRICANT HYCHEM/T KG		
J60400000001	PANEL FRONT AL	1		J85810009000	FL GUIDE HIPS 94HB	1	
J60400000002	PANEL FRONT AL	1		J85940003000	REFRACTOR 3	1	
J60550003000	BADGE HARMAN/KARDO	1		J85940001000	REFRACTOR-1	1	
J65040000000	KNOB MAIN HIPS	1		J97100502000	LABEL-DATE	1	
J85000007000	BODY FRONT HIPS	1		20181850XX	CABLE-FIX WIRE-TIE	1	
J85100009000	KNOB TONE HIPS	1		J70800000100	STUD 34	1	
J85200050000	BUTTON 7KEY HIPS	1		J70800000200	STUD 54	1	
J85200051000	BUTTON 3KEY HIPS	1		J70800000300	STUD 55	1	
J85200053000	BUTTON 5KEY HIPS	1		J70800000400	STUD 62.6	1	
J85300011000	WINDOW DISPLAY	1		J60300013000	BKT SUPPORT SECC	1	
J85400020000	INDICATOR VIDEO 4	1		J60300037000	BKT TOP	1	
J85400021000	ENDCAP LEFT HIPS	1		J60300015000	BKT PREAMP PCB	1	
J85400022000	ENDCAP RIGHT HIPS	1		J60300046000	BKT SIDE SECC1.0T	1	
J85500004000	FILTER DISPLAY	1		J81000400810	SCREW D020400800	1	
J85810011000	GUIDE BUTTON 5KEY	1		J97100501010	LABEL-SERIAL 7000S	1	
J85940002000	DIFFUSER PLATE	1		J9710050900X	LABEL-SERIAL NO PA	1	
J60300012000	BKT SW POWER	1		J97100509010	LABEL-SERIAL	1	
J85200049000	BUTTON POWER HIPS	1		J97100503000	LABEL RISK	1	
J85810010000	GUIDE POWER SW	1		20932870XX	AC PRI LABEL QC CH	1	
J85200052000	BUTTON STANDBY	1		J94100002000	SHIELD FORM 71TSN	1	
J85400019000	INDICATOR STANDBY	1		J94100003000	SHIELD FORM 71SN	1	
J60300002000	BRACKET HEADPHONE	1		J65540000500	PLLATE SPRING	1	
J60100000001	COVER TOP	1		J2632100025X	EMI-CORD	1	
J60100001100	COVER TOP	1		J2632400015X	FERRITE CORE CLAMP	1	
J60000004001	CH MAIN	1		J2632400025X	FERRITE CORE CLAMP	1	
J60020000301	CH FRONT	1		J2632400035X	CORD CLAMP 50W-1	1	
J85900501000	FOOT-ASS'Y	1		J7001SYLINDR*	TRANSFORMER CYLIND	1	
J85900503000	FOOT-RUBBER	1		J2831410014X*	TRANS CHOKE EI	1	
J5222000910X	BKT HEATSINK SECIT	1		J60600013000	BKT SHIELD EMI SEC	1	
J60500003000	HEATSINK POWER 3CH	1		J60600016000	SHIELD PLATE LARGE	1	
J60500004000	HEATSINK POWER 2CH	1		J60600015000	SHIELD PLATE SMALL	1	
J5541001010X	WASHER SPRING	1		J60600017000	SHIELD PLATE DSP	1	
20372510XX	WASHER 3.5MM 9.0MM	1		J60600018000	SHIELD PREAMP	1	
				J5131000007X	KNOB CORK	1	

"	-----						
" "	0110	J85000007000	BODY FRONT HIPS			F4799	
"13	01101	M85000007000	BODY FRONT HIPS RA	1.00000	M	F5299 02	1
"	-----						
"	0120	J85100009000	KNOB TONE HIPS			F4799	

"13	01201	M85100009000	KNOB TONE HIPS RAW	1.00000	M	F5299	02	1
"	0240	J85200049000	BUTTON POWER HIPS			F4799		
"13	02401	M85200049000	BUTTON POWER HIPS	1.00000	M	F5299	02	1
"	02406	20289980XX	DILUTION IPI-783 3 LI	.00001	B	F4799		1
"	0130	J85200050000	BUTTON 7KEY HIPS			F4799		
"13	01301	M85200050000	BUTTON 7KEY HIPS R	1.00000	M	F5299	02	1
"	0140	J85200051000	BUTTON 3KEY HIPS			F4799		
"13	01401	M85200051000	BUTTON 3KEY HIPS R	1.00000	M	F5299	02	1
"	0260	J85200052000	BUTTON STANDBY			F4799		
"13	02601	M85200052000	BUTTON STANDBY HIP	1.00000	M	F5299	02	1
"	0150	J85200053000	BUTTON 5KEY HIPS			F4799		
"13	01501	M85200053000	BUTTON 5KEY HIPS R	1.00000	M	F5299	02	1
"	0270	J85400019000	INDICATOR STANDBY			F4799		
"	02701	55022170XX	GRANULES SAN TYRIL KG	.00200	B	F5299	02	1
"	0170	J85400020000	INDICATOR VIDEO 4			F4799		
"	01701	55006550XX	GRANULES SAN SAN T KG	.00100	B	F5299	02	1
"	0180	J85400021000	ENDCAP LEFT HIPS			F4799		
"13	01801	M85400021000	ENDCAP LEFT HIPS R	1.00000	M	F5299	02	1
"	0190	J85400022000	ENDCAP RIGHT HIPS			F4799		
"13	01901	M85400022000	ENDCAP RIGHT HIPS	1.00000	M	F0200	03	1
"	0610	J85810009000	FL GUIDE HIPS 94HB			F4799		
"	06101	20290570XX	GRANULES PS ATOCHE KG	.00940	B	F5299	02	1
"	0250	J85810010000	GUIDE POWER SW			F4799		
"	02501	20290570XX	GRANULES PS ATOCHE KG	.00100	B	F4799		1
"	0210	J85810011000	GUIDE BUTTON 5KEY			F4799		
"13	02101	M85810011000	BUTTON 5KEY RAW	1.00000	M	F5299	02	1
"	0320	J85900501000	FOOT-ASS'Y			F4799		
"13	03201	J528003020M	FOOT-MOLD RAW	1.00000	M	F4799	01	1
"	03202	AP82447619AL	STAMPING FOIL FT	.00500	B	F4799		1
"	0630	J85940001000	REFRACTOR-1			F5099	01	
"	06301	55022780XX	GRANULES ABS TORAY KG	.00300	B	F2600	04	1
"	0620	J85940003000	REFRACTOR 3			F4799		
"	06201	55022780XX	GRANULES ABS TORAY KG	.00250	B	F2600	04	1

```

-----
" " 0320 J5283003020M FOOT-MOLD RAW F5299 01
" 03201 55010080XX GRANULES ABS TORAY KG .01396 B F5299 01 1
" 03202 55015950XX GRANULES PIGMENT K KG .00014 B F5299 01 1
-----
" 0110 M85000007000 BODY FRONT HIPS RA F5299 01
" 01101 20290570XX GRANULES PS ATOCHE KG .32000 B F5299 01 1
-----
" 0120 M85100009000 KNOB TONE HIPS RAW F5299 01
" 01201 20290570XX GRANULES PS ATOCHE KG .01800 B F5299 01 1
-----
" 0240 M85200049000 BUTTON POWER HIPS F5299 01
" 02401 20290570XX GRANULES PS ATOCHE KG .00100 B F5299 01 1
-----
" 0130 M85200050000 BUTTON 7KEY HIPS R F5299 01
"C2 01301 JAVRC0000001 SHALLOW GREEN RAW KG .02900 M F2600 02 1
-----
" 0140 M85200051000 BUTTON 3KEY HIPS R F5299 01
"C2 01401 JAVRC0000001 SHALLOW GREEN RAW KG .00800 M F2600 02 1
-----
" 0260 M85200052000 BUTTON STANDBY HIP F5299 01
" 02601 20290570XX GRANULES PS ATOCHE KG .00220 B F5299 01 1
-----
" 0150 M85200053000 BUTTON 5KEY RAW F5299 01
" 01501 JAVRC0000001 SHALLOW GREEN RAW KG .00800 B F5299 01 1
-----
" 0180 M85400021000 ENDCAP LEFT HIPS R F5299 01
" 01801 20290570XX GRANULES PS ATOCHE KG .01200 B F5299 01 1
-----
" 0190 M85400022000 ENDCAP RIGHT HIPS F5299 01
" 01901 20290570XX GRANULES PS ATOCHE KG .01200 B F5299 01 1
-----
" 0210 M85810011000 BUTTON 5KEY RAW F5299 01
" 02101 20290570XX GRANULES PS ATOCHE KG .00320 B F5299 01 1

```

## PACKAGING

```

J4482220011X AM ANTENNAL LOOP 1
J4481250011X FM ANT 75 WIRE ANT 1
J4481250021X ANT FM 75OHM WIRE 1
J54000000100 ASS'Y REMOCON 1
J54000000110 ASS'Y REMOCON AVR7 1
J55100000100 BATTERY DRY 1.5 VA 1
J90300002000 CARD-WARRANTY 1
J97100507000 SAFETY LEAF 1
J97100506000 CARD-POST 1
J94100001000 JUMPER 1
J97000501000 POLY BAG PE T0.05 1
J97000501010 AC CORD POLY BAG 1
J97100000000 POLY SHEET PE-FOAM 1
J97200006000 PAD SIDE AVR7000 1
J97300001000 PAD UPPER AVR7000 1
J97300002000 PAD INNER AVR7000 1
J90200002000 MANUAL AVR-7000 1
J90200002001 MANUAL 7000RDS 1
J96000010001 BOX CARTON 7000RDS 1
J96000015000 BOX CARTON 1
J90300006000 HD CD CATALOGUE 1
J54000000200 REMOCON ZONW II 1
20194780XX CABLE-FIX CABLE-TI 1

```

**AVR7000RDS/230**

Europe Parts - List

**PN : 1112-AVR7000PR**

Harman Kardon Model  
 Model No.: AVR7000RDS  
 Part List Date: Mar-04-2000

MODEL NO :	DRAWING	DESCRIPTION
AVR7000RDS (4KJHAYRCC/EA)		
07-7000RDS	J3600103330X	CP .01U 100V-K
07-7000RDS	J3600472330X	CP .0047U 100V K
07-7000RDS	J3600473330X	CP .047U 100V K
07-7000RDS	J3640104350X	CP MET .1U 250V -M
07-7000RDS	J3640224320X	CP MET .22U 63V -K
07-7000RDS	J3640683220X	CMP 0.068U 63V J
07-7000RDS	J3681183231X	CAP 0.018UF 100V J
07-7000RDS	J3681332231X	CAP 0.0033UF 100V
07-7000RDS	J3681823231X	CAP 0.082UF 100V J
07-7000RDS	J3926100000X	X-C .1U PCX2 335M
07-7000RDS	J3513101270X	CC 100PF 50V
07-7000RDS	J3513180270X	CC/DISC 18P 50V J
07-7000RDS	J3513220270X	CAP CH 22PF 50V J
07-7000RDS	J3514101270X	CC 100P 50V K
07-7000RDS	J3514220270X	CC 22PF 50V J
07-7000RDS	J3514470270X	CC AX CH 47P 50V K
07-7000RDS	J3514680270X	CC TAP CH 68P 50V
07-7000RDS	J3523104540X	CAP C/D/T .1U 25V
07-7000RDS	J3523473540X	CC Y5V .047U 25V Z
07-7000RDS	J3524821170X	CC 820PF 50V K
07-7000RDS	J3531472412X	CAP AC250V 472-M
07-7000RDS	J3515100270X	CC CHIP 10PF 50V D
07-7000RDS	J3515101270X	CC/CHIP 100P 50V J
07-7000RDS	J3515102170X	CC/CHIP 1000P 50V
07-7000RDS	J3515150270X	CC/CHIP 15P 50V
07-7000RDS	J3515220270X	CC/CHIP 22P 50V
07-7000RDS	J3515221270X	CC/CHIP 220P 50V J
07-7000RDS	J3515222170X	CC/CHIP 2200P 50V
07-7000RDS	J3515222170X	CC/CHIP 2200P 50V
07-7000RDS	J3515330270X	CC/CHIP 33P 50V J
07-7000RDS	J3515470270X	CC/CHIP 47P 50V
07-7000RDS	J3515472170X	CC/CHIP 4700PF 50V
07-7000RDS	J3515680270X	CC/CHIP 68P 2012
07-7000RDS	J3515821170X	CC/CHIP 820P 50V J
07-7000RDS	J3525103170X	CC/CHIP .01U 50V K
07-7000RDS	J3525104540X	CC/CHIP 0.1U 25V Z
07-7000RDS	J3525104570X	CC/CHIP .1U 50V 8
07-7000RDS	J3525222170X	CC CHIP 2200P 50V
07-7000RDS	J3525224570X	C-CHIP 2012F .22U
07-7000RDS	J3525472170X	CC/CHIP 4700PF 60V
07-7000RDS	J3525474570X	CC CHIP 0.47U 50V
07-7000RDS	J3525683540X	CC CHIP 0.068U 25V
07-7000RDS	J3524101170X	CC 100P 50V
07-7000RDS	J3524104540X	CC 0.1UF 25V
07-7000RDS	J3524222730X	CC/AX X 2200P16V M
07-7000RDS	J3402322286X	CE AHS 2200UF 100V
07-7000RDS	J3402347226X	CAP AHS 4700UF16V
07-7000RDS	J3402347246X	CE AHS 4700UF 35V
07-7000RDS	J3420410326X	CE DL 1000UF 16V
07-7000RDS	J3420633226X	CE SHL 3300U 16V
07-7000RDS	J3420922308X	CE 22000MF 90V
07-7000RDS	J3432147324X	CAP 0.047F 5.5V
07-7000RDS	J3470110031X	CE 10UF 16V
07-7000RDS	J3470110061X	CE SG 10UF 35V
07-7000RDS	J3470110071X	CE SG 10U 50V M
07-7000RDS	J3470110121X	CE SG 100U 10V M
07-7000RDS	J3470110141X	CE SG 100U 25V M
07-7000RDS	J3470110171X	CE SG 100U 50V M
07-7000RDS	J3470110211X	CE 1000UF 6.3V
07-7000RDS	J3470110231X	CAP ELEC SG 1000UF
07-7000RDS	J3470110241X	CE SG 1000U 25V M
07-7000RDS	J3470110671X	CE SG 0.1UF 50V M
07-7000RDS	J3470110971X	CE SG 1U 50V M

07-7000RDS	J3470122041X	CE 22U 25V 5*11
07-7000RDS	J3470122071X	CE SG 22U 50V M
07-7000RDS	J3470122121X	CE SG 220U 10V M
07-7000RDS	J3470122971X	CE SG 2U2 50V M
07-7000RDS	J3470133871X	CE SG 0.33UF 50V
07-7000RDS	J3470147031X	CE SG 47U 16V M
07-7000RDS	J3470147071X	CE SG 47U 50V M
07-7000RDS	J3470147121X	CE SG 470U 10V M
07-7000RDS	J3470156871X	CE SG .56U 50V M
07-7000RDS	J3470810031X	CE AHS 10M 16V
07-7000RDS	J3470810071X	CE AHS 10M 50V
07-7000RDS	J3470822191X	CE AHS 220M 100V
07-7000RDS	J3470833131X	CE AHS 330M 16V
07-7000RDS	J3470847031X	CE AH 47U 16V M
07-7000RDS	J3471610031X	CE 10UF 16V M
07-7000RDS	J4025100030A	PCB 417*163 2CHAMP
07-7000RDS	J4025100090A	MN PCB 247*247
07-7000RDS	J4025100100X	PCB PRE 247*247
07-7000RDS	J4025100110X	PCB VIDEO 247*247
07-7000RDS	J4025100120A	DSP PCB 235*240
07-7000RDS	J4025100130X	PCB SUPPLY 187*227
07-7000RDS	J4026100010A	PCB FR 369*163
07-7000RDS	J1451000030X	COIL-AF CHOKE .7UH
07-7000RDS	J2610247920X	COIL 4.7UH K
07-7000RDS	J2616522020X	COIL 22UH K
07-7000RDS	J2616247020X	COIL 47UH
07-7000RDS	J2221430634X	D-ZENER .5W 30V J
07-7000RDS	J2221010000X	DIODE SW IN4148
07-7000RDS	J2221010104X	DIODE SW 1SS244
07-7000RDS	J2242010001X	DIODE CHIP KDS160
07-7000RDS	J2242010101X	DIODE CHIP KDS184
07-7000RDS	J2431400082X	POSISTOR 2P 400MM
07-7000RDS	J2244010104X	DIODE CHIP 1SS355
07-7000RDS	J2123233001X	IC LTV817
07-7000RDS	J2123006001X	FIBER TORX178B
07-7000RDS	J2123806002X	FIBER OPT TRANS
07-7000RDS	J2411320014X	REM 38KHZ
07-7000RDS	J3091100921X	RES 10 OHM 30WAT
07-7000RDS	J32214000101	VR-ROTARY 14MM
07-7000RDS	J3211320110X	RES SEMI 200 1/10
07-7000RDS	J3003330220X	RES CF 33 1/8W J
07-7000RDS	J3024000120X	RES 0 OHM 1/10W J
07-7000RDS	J3024100120X	R-CHIP 10 2012J
07-7000RDS	J3024101120X	RES CHIP 100 1/10W
07-7000RDS	J3024102120X	RES CHIP 1K 1/10W
07-7000RDS	J3024103120X	RES CHIP 10K 1/10W
07-7000RDS	J3024104120X	RES CHIP 100K 1/10
07-7000RDS	J3024105120X	RES CHIP 1M 1/10WJ
07-7000RDS	J3024109120X	RES CHIP 1 1/10W
07-7000RDS	J3024122120X	RES CHIP 1K2 1/10W
07-7000RDS	J3024123120X	RES CHIP 12K 1/10W
07-7000RDS	J3024124120X	RES CHIP 120K 1/10
07-7000RDS	J3024151120X	RES CHIP 150 1/10W
07-7000RDS	J3024152120X	RES CHIP 1K5 1/10W
07-7000RDS	J3024154120X	RES CHIP 150K 1/10
07-7000RDS	J3024181120X	RES CHIP 180 1/10W
07-7000RDS	J3024182120X	RES CHIP 1K8 1/10W
07-7000RDS	J3024203120X	RES CHIP 20K 1/10W
07-7000RDS	J3024221120X	R-CHIP 220 2012J
07-7000RDS	J3024222120X	RES CHIP 2K2 1/10W
07-7000RDS	J3024223120X	RES CHIP 22K 1/10W
07-7000RDS	J3024242120X	RES CHIP 2K4 1/10
07-7000RDS	J3024331120X	R-CHIP 330 2012J
07-7000RDS	J3024332120X	RES CHIP 3K3 1/10W
07-7000RDS	J3024339120X	RES CHIP 3R3 1/10
07-7000RDS	J3024391120X	R-CHIP 390 2012J
07-7000RDS	J3024392120X	RES CHIP 3K9 1/10W
07-7000RDS	J3024470120X	RES CHIP 47 1/10W
07-7000RDS	J3024471120X	RES CHIP 470 1/10W



07-7000RDS	J3024472120X	RES CHIP 4K7 1/10W
07-7000RDS	J3024473120X	RES CHIP 47K 1/10W
07-7000RDS	J3024474120X	RES CHIP 470K 1/10
07-7000RDS	J3024511120X	RES CHIP 510 1/10W
07-7000RDS	J3024512120X	RES 5K1 1/10 J
07-7000RDS	J3024561120X	RES CHIP 560 1/10W
07-7000RDS	J3024562120X	RES CHIP 5K6 1/10W
07-7000RDS	J3024563120X	RES CHIP 56K 1/10W
07-7000RDS	J3024681120X	RES CHIP 680 1/10W
07-7000RDS	J3024682120X	RES CHIP 6K8 1/10W
07-7000RDS	J3024683120X	RES CHIP 68K 1/10W
07-7000RDS	J3024750120X	RES CHIP 75 1/10W
07-7000RDS	J3024751120X	R CHIP 750 2012J
07-7000RDS	J3024820120X	RES CHIP 82OHM
07-7000RDS	J3024822120X	R-CHIP 8K2 1/10W J
07-7000RDS	J3010332620X	RES 3K3 OHM 1W J
07-7000RDS	J3024271120X	R-CHIP 270 1/10W J
07-7000RDS	J3024680120X	R-CHIP 68 1/10W J
07-7000RDS	J3030100720X	RES 10 OHM 2W J
07-7000RDS	J3030479720X	RES 4R7 OHM 2W J
07-7000RDS	J3003100220X	RES CF 10 1/8W J
07-7000RDS	J3003100420X	RES CF 10 1/4W J
07-7000RDS	J3003101220X	RES CF 100 1/8 J
07-7000RDS	J3003101420X	RES CF 100 1/4 J
07-7000RDS	J3003102220X	RES CF 1K 1/8 J
07-7000RDS	J3003103220X	RES CF 10K 1/8 J
07-7000RDS	J3003104220X	RES CF 100K 1/8 J
07-7000RDS	J3003109220X	RES CF 1 OHM 1/8 J
07-7000RDS	J3003122274X	RES MR 1K2 1/8W F
07-7000RDS	J3003150220X	RES CF 15 1/8W J
07-7000RDS	J3003150420X	RES CF 15 1/4 J
07-7000RDS	J3003151420X	RES CF 150 1/4W J
07-7000RDS	J3003152220X	RES CF 1K5 1/8 J
07-7000RDS	J3003153220X	RES CF 15K 1/8W J
07-7000RDS	J3003181220X	RES CF 180 1/8 J
07-7000RDS	J3003220220X	RES CF 22 1/8 J
07-7000RDS	J3003222220X	RES CF 2K2 1/8W J
07-7000RDS	J3003223220X	RES CF 22K 1/8 J
07-7000RDS	J3003229520X	RES CF 2K2 1/2 J
07-7000RDS	J3003271220X	RES CF 270 1/8 J
07-7000RDS	J3003273220X	RES CRA 27K 1/8 J
07-7000RDS	J3003333274X	RES MR 33K 1/8W F
07-7000RDS	J3003390220X	RES CF 39 1/8 J
07-7000RDS	J3003433220X	RES CF 43K 1/8 J
07-7000RDS	J3003471220X	RES CF 470 1/8 J
07-7000RDS	J3003472220X	RES CF 4K7 1/8 J
07-7000RDS	J3003472529X	RES 4K7 1/2W J
07-7000RDS	J3003561220X	RES CF 560 1/8 J
07-7000RDS	J3003562220X	RES CF 5K6 1/8 J
07-7000RDS	J3003683220X	RES CF 68K 1/8 J
07-7000RDS	J3003750220X	RES CF 75 1/8 J
07-7000RDS	J3003820420X	RES CF 82 1/4W J
07-7000RDS	J3019390526X	RES 12GS 39 1/2 5%
07-7000RDS	J3076278421X	RES MPR 0.27 5W J
07-7000RDS	J43731100200	CORD AC POWER RDS
07-7000RDS	J2831000013X	TRANS YK-110
07-7000RDS	J2812420023X	TRANS 230/50 ST BY
07-7000RDS	J2822410014X	POWER TRANS 230/50
07-7000RDS	J2002500003X	TR PNP A1943 O(AC)
07-7000RDS	J2021000001X	TR PNP KTA1023 Y
07-7000RDS	J2021000101X	TR PNP KTA1024
07-7000RDS	J2021000102X	TR PNP 2SA933S
07-7000RDS	J2021000201X	TR PNP KTA1266 Y
07-7000RDS	J2021000601X	TR PNP MPSA56 Y
07-7000RDS	J2021005101X	TR PNP KTA1268 BL
07-7000RDS	J2021020101X	TR NPN KTC1027 Y
07-7000RDS	J2021020201X	TR NPN KTC3198 BL
07-7000RDS	J2021020701X	TR NPN KTC3200 BL
07-7000RDS	J2021020801X	TR MPSA06 Y TO-92

07-7000RDS	J2021021101X	TR NPN KTC2878
07-7000RDS	J2021060001X	TR NPN KTD1302 R
07-7000RDS	J2021200002X	TR PNP DTA114YS
07-7000RDS	J2021200501X	TR PNP KRA107M
07-7000RDS	J2021220001X	TR NPN KRC107M
07-7000RDS	J2021220002X	TR NPN 2SC1740S
07-7000RDS	J2021220102X	TR NPN DTC114YSA
07-7000RDS	J2021500102X	TR PNP 2SA1859A
07-7000RDS	J2021500103X	TR PNP 2SA1360Y
07-7000RDS	J2021520202X	TR NPN 2SC4137V
07-7000RDS	J2021520302X	TR NPN 2SC4883A
07-7000RDS	J2041200102X	TR PNP DTA114YKA
07-7000RDS	J2041220101X	TR KRC110S SOT23
07-7000RDS	J2041220102X	TR NPN DTC114YKA
07-7000RDS	J2041220202X	TR DTC114TK SMT3
07-7000RDS	J5541003012X	CUSHION RUBBER
07-7000RDS	J85900503000	FOOT-RUBBER
07-7000RDS	J85940003000	REFRACTOR 3
07-7000RDS	J2204306002X	DIODE KBPC3504W
07-7000RDS	J2221214000X	DIODE IN4003
07-7000RDS	20372510XX	WASHER 3.5MM 9.0MM
07-7000RDS	J5541001010X	WASHER SPRING
07-7000RDS	J5541001020X	WASHER FLAT
07-7000RDS	J5541001030X	WASHER SPRING
07-7000RDS	J5541001040X	WASHERPLAT INNER
07-7000RDS	J5636140010X	SCREW
07-7000RDS	J5636140030X	SCREW
07-7000RDS	J5636140040X	SCREW
07-7000RDS	J5636140080X	SCREW A124008000
07-7000RDS	J5636140150X	SCREW
07-7000RDS	J65540000500	PLLATE SPRING
07-7000RDS	J81000300810	SCREW BM3*6Y
07-7000RDS	J81000400810	SCREW D020400800
07-7000RDS	J90720301080	SCREW 3*10 TEETH T
07-7000RDS	J62220000910X	BKT HEATSINK SECIT
07-7000RDS	J60000004000	CH MAIN SECC 1.2T
07-7000RDS	J60020000300	CH FRONT SECC 1.2T
07-7000RDS	J60100001000	COVER TOP
07-7000RDS	J60110001001	PANEL REAR 7000RDS
07-7000RDS	J60300002000	BRACKET HEADPHONE
07-7000RDS	J60300012000	BKT SW POWER
07-7000RDS	J60300013000	BKT SUPPORT SECC
07-7000RDS	J60300015000	BKT PREAMP PCB
07-7000RDS	J60300016000	BKT SHORT C2680
07-7000RDS	J60300017000	BKT LONG C2680 0.7
07-7000RDS	J60300037000	BKT TOP
07-7000RDS	J60400000001	PANEL FRONT AL
07-7000RDS	J60500003000	HEATSINK POWER 3CH
07-7000RDS	J60500004000	HEATSINK POWER 2CH
07-7000RDS	J60510003100	HEATSINK
07-7000RDS	J60510005000	HEATSINK IC (DSP)
07-7000RDS	J60530001000	HEATSINK 46*12*45H
07-7000RDS	J60530003000	HEATSINK 17*15*45H
07-7000RDS	J60600006000	SHIELD FENCE TONE
07-7000RDS	J67200005000	INSULATION H/SINK
07-7000RDS	J70800000100	STUD 34
07-7000RDS	J70800000200	STUD 54
07-7000RDS	J70800000300	STUD 55
07-7000RDS	J70800000400	STUD 62.6
07-7000RDS	J4200020000X	GND PLATE
07-7000RDS	20181850XX	CABLE-FIX WIRE-TIE
07-7000RDS	20194780XX	CABLE-FIX CABLE-TI
07-7000RDS	J6171140010X	WIRE TIE NYLON6
07-7000RDS	J3913010065X	CRYS 17.734475MHZ
07-7000RDS	J3914010016X	OSCILATOR 12.288MH
07-7000RDS	867B01513002	TAPE ELECTRICAL
07-7000RDS	J4210020001X	FUSE CLIP 0.3T
07-7000RDS	J5503310330X	FUSE T1A/250V
07-7000RDS	J5503312330X	FUSE T 1.25/250V

07-7000RDS	J5503316330X	FUSE T 250V/1.6A
07-7000RDS	J5503331330X	FUSE T 250V 3 15A
07-7000RDS	J5503350230X	FUSE T 500MMA/250V
07-7000RDS	J5503463320X	FUSE T 6.3A/250V
07-7000RDS	J3911030020X	RESONATOR ZTA10MTT
07-7000RDS	J46208000004	SW POWER
07-7000RDS	J46500500002	SW TACT
07-7000RDS	J32616100001	ENCODER EC 16E
07-7000RDS	20851990XX	BCL 0.6MM TIN ANNE
07-7000RDS	DA031WA12506	WIRE BUSS 12.5MM
07-7000RDS	J1500260000X	WIRE BUSS 0.7D
07-7000RDS	20322580NR	WIREBARE 22
07-7000RDS	DA031WA00015	WIRE BUSS
07-7000RDS	DA031WA00016	WIRE BUSS
07-7000RDS	DA031WA25006	WIRE BUSS 25MM
07-7000RDS	J4112194501X	CABLE 1.25 19P 450
07-7000RDS	J4370009901X	CNT 5P 160#26 SL
07-7000RDS	J4370009902X	CNT 7P 300#26 SL
07-7000RDS	J4370009903X	CNT 9P 400MM 2.0
07-7000RDS	J4370009904X	12P S 350/400#28
07-7000RDS	J4370009905X	CNT 2P 600#20 SL
07-7000RDS	J4370009906X	CNT 5P 550#26 SL
07-7000RDS	J4370009908X	CNT 10P 300MM 2.0
07-7000RDS	J4370009900X	CNT 2P 350#20 SL
07-7000RDS	J4370009910X	CNT 14P 160MM 2.0
07-7000RDS	J4370009911X	CNT 15P 160MM 2.0
07-7000RDS	J4370009912X	CNT 2P 350MM 7.92
07-7000RDS	J4370009913X	CNT 3P 650#24 SL
07-7000RDS	J4370009914X	CNT 9P 500#28 SL
07-7000RDS	J4370009915X	CNT 10P 150MM 2.0
07-7000RDS	J4370009916X	CNT 2P 160#16 SL
07-7000RDS	J4370009917X	CNT 2P 460#16 SL
07-7000RDS	J4370009918X	CNT 3P 480#16 SL
07-7000RDS	J4370009920X	CNT 5P 500#16 DL
07-7000RDS	J4370009921X	1P AWG1007 120#18
07-7000RDS	J4370009922X	WIRE 1P 80#24
07-7000RDS	J4370009923X	CNT 7P 160#26 SL
07-7000RDS	J4370009927X	CNT 7P 350MM 2.0
07-7000RDS	J4370009929X	LUG WIRE 1P 250#24
07-7000RDS	J4370009930X	LUG WIRE 1P 220#22
07-7000RDS	J4370009932X	1P AWG1007 220#18
07-7000RDS	J4370009933X	1P AWG1007 140#18
07-7000RDS	J4370009934X	1P AWG1007 90MM#18
07-7000RDS	J4370009937X	WIRE 1P 140#18
07-7000RDS	J4370009941X	CNT 2P 300#16 DL D
07-7000RDS	J4370009942X	CNT 2P 650#16 DL D
07-7000RDS	J1500250040X	JUMPER 10MM 0.7
07-7000RDS	J1500260020X	JUMPER 6MM 0.7
07-7000RDS	J1500260030X	JUMPER 7.5MM 0.7
07-7000RDS	J1500260040X	JUMPER 10MM 0.7
07-7000RDS	J1500260050X	JUMPER 12.5MM 0.7
07-7000RDS	J1500260060X	JUMPER 15MM 0.7
07-7000RDS	J1500260070X	JUMPER 17.5MM 0.7
07-7000RDS	J1500260080X	JUMPER 20MM 0.7
07-7000RDS	J1500260090X	JUMPER 22.5MM 0.7
07-7000RDS	J1500260100X	JUMPER 25MM 0.7
07-7000RDS	J1500260120X	JUMPER 30MM 0.7
07-7000RDS	DA031WA06006	WIRE BUSS 6MM
07-7000RDS	DA031WA07506	WIRE BUSS 7.5MM
07-7000RDS	DA031WA10006	WIRE BUSS 10MM
07-7000RDS	DA031WA15006	WIRE BUSS 15MM
07-7000RDS	DA031WA17506	WIRE BUSS 17.5MM
07-7000RDS	DA031WA20006	WIRE BUSS 20MM
07-7000RDS	DA031WA22006	WIRE BUSS 22MM
07-7000RDS	DA031WA27506	WIRE BUSS 27.5MM
07-7000RDS	DA031WA30006	WIRE BUSS 30MM
07-7000RDS	J4420030440X	CNT PLUG 4P 2.0MM
07-7000RDS	J4420030540X	CNT PLUG 2.0 ST 5P
07-7000RDS	J4420030740X	CNT PLUG 2.0ST 7P

07-7000RDS	J4420030940X	CNT PLUG 2.0 ST 9P
07-7000RDS	J4420031040X	CNT PLUG 2.0 10P
07-7000RDS	J4420031440X	CNT 2.0MM ST 14P
07-7000RDS	J4420031540X	CNT PLUG ST 2.0MM
07-7000RDS	J4420040200X	CNT ST 5267-02A
07-7000RDS	J4420040240X	CNT GT250-2P-TS
07-7000RDS	J4420040340X	CNT PLUG 2.5 ST 3P
07-7000RDS	J4420040440X	CNT PLUG 2.5 ST 4P
07-7000RDS	J4420040640X	CNT 2.5MM ST 6P
07-7000RDS	J4420050300X	CNT ST 35313-0310
07-7000RDS	J4420050500X	CONNECTOR
07-7000RDS	J4420060200X	CONNECTOR
07-7000RDS	J4420070370X	CONNECTOR 03P
07-7000RDS	J4420080270X	CONNECTOR 2P
07-7000RDS	J4420130840X	CNT GIL-S-8P-S2L2
07-7000RDS	J4422011920X	FPC ST PLUG 19P 1.
07-7000RDS	J4422012920X	FPC PLUG 1.25 29P
07-7000RDS	J4422111920X	FPC PLUG 19P 1.25M
07-7000RDS	J4422112920X	FPC ANG 1.25MM 29P
07-7000RDS	J4423230800X	CONNECTOR
07-7000RDS	J4423231500X	CNT 2.0 35336-1510
07-7000RDS	J4423231900X	CNT ST 35336-1910
07-7000RDS	J4423330800X	CNT PLUG BD'BD 2.0
07-7000RDS	J4423331600X	CNT 2.0 35237 1610
07-7000RDS	J4423331900X	CNT 2.0 35237-1910
07-7000RDS	J4423331900X	CNT 2.0 35237-1910
07-7000RDS	J2631200012X	BEAD AXIAL 6MM
07-7000RDS	J2631200022X	BEAD AX 80.5 OHM
07-7000RDS	J2631300164X	BEAD CHIP 300OHM
07-7000RDS	J2631300174X	BEAD CHIP 600OHM
07-7000RDS	J2631300194X	BEAD CHIP 1K OHM
07-7000RDS	J2631300204X	BEAD CHIP/TAP HB-1
07-7000RDS	J2631300224X	BEAD CHIP/TAP,HH-1
07-7000RDS	J2632100025X	EMI-CORD
07-7000RDS	J2632400025X	FERRITE CORE CLAMP
07-7000RDS	J2632400035X	CORD CLAMP 50W-1
07-7000RDS	J54000000100	ASSY REMQCON
07-7000RDS	J54000000200	REMOCON ZONW II
07-7000RDS	55010080XX	GRANULES ABS TORAY
07-7000RDS	55022780XX	GRANULES ABS TORAY
07-7000RDS	55006550XX	GRANULES SAN SAN T
07-7000RDS	55015950XX	GRANULES PIGMENT K
07-7000RDS	55042410XX	GRANULES
07-7000RDS	20290550XX	GRANULES PS ATOCHE
07-7000RDS	20290570XX	GRANULES PS ATOCHE
07-7000RDS	20617090XX	GRANULES PS ATOCHE
07-7000RDS	55022150XX	GRANULES PIGMENT R
07-7000RDS	55022170XX	GRANULES SAN SAN T
07-7000RDS	JAVRC0000001	SHALLOW GREEN RAW
07-7000RDS	AP82447619AL	STAMPING FOIL
07-7000RDS	J2110012001X	IC OP-AMP NJM4558M
07-7000RDS	J2110012003X	IC OP AMP NJM5532M
07-7000RDS	J2110012004X	IC OPAMP NJM2068
07-7000RDS	J2110212000X	IC OPAMP 2068DD
07-7000RDS	J2110212002X	IC OPAMP NJM5532
07-7000RDS	J2110222001X	IC OPAMP OP275
07-7000RDS	J2110505002X	IC KIA7805P
07-7000RDS	J2110505004X	IC REG KIA7806P
07-7000RDS	J2112504001X	IC BA033T
07-7000RDS	J2112505014X	IC KIA7905PI
07-7000RDS	J2112505018X	IC KIA7915PI TO220
07-7000RDS	J2115205000X	IC KIC9459N DIP28
07-7000RDS	J2115206007X	IC TC9273S
07-7000RDS	J2116004001X	IC BA7660FS 3-CH
07-7000RDS	J2116004003X	IC BA7603F VIDEO
07-7000RDS	J2116209002X	IC OSD M35013
07-7000RDS	J2121205002X	IC KIC9163AN
07-7000RDS	J2129012002X	IC NJU6324M
07-7000RDS	J2131328001X	IC AT27LV020A

07-7000RDS	J2133031002X	IC 96KHZ AK5352
07-7000RDS	J2141004001X	IC BU4051 SOP16
07-7000RDS	J2141004002X	IC BU4094 SOP16
07-7000RDS	J2141004003X	IC BU4053
07-7000RDS	J2116012001X	IC VIDEO NJM2296
U/-/000RDS	J2116204001X	IC VIDEO BA7046
07-7000RDS	J2110505006X	IC KIA7815P
07-7000RDS	J2115205004X	IC 6CH VOLKIC9482N
07-7000RDS	J2132314017X	IC CPU CXP82860
07-7000RDS	J2133031001X	IC AK4393 AUDIO
07-7000RDS	J2135326003X	IC DECODER CS49260
07-7000RDS	J2136926001X	IC DIR CS8414-CS
07-7000RDS	J2142032001X	IC F/F 74VHC574MX
07-7000RDS	J2142032002X	IC TC74VHC244MX
07-7000RDS	J2142032005X	IC 74VHC153MX
07-7000RDS	J2142032006X	IC 74VHC157MX
07-7000RDS	J55100000100	BATTERY DRY 1.5V
07-7000RDS	J5511300020X	RELAY SDT-S-112DMR
07-7000RDS	J5512300010X	RELAY OSZ-SS-112DM
07-7000RDS	J2301213022X	LED GN LTL1CHGEC 3
07-7000RDS	J2302210012X	LED RED/GREEN 3F
07-7000RDS	J2302310012X	LED RED/GREEN 5
07-7000RDS	J2305211022X	LED LTL-1CHIP 3RED
07-7000RDS	J2352220021X	VFD CM19010
07-7000RDS	J60550003000	BADGE HARMAN/CARD
07-7000RDS	J65040000000	KNOB MAIN HIPS
07-7000RDS	J85300011000	WINDOW DISPLAY
07-7000RDS	J85500004000	FILTER DISPLAY
07-7000RDS	J85940002000	DIFFUSER PC PLATE
07-7000RDS	J5283003020M	FOOT-MOLD RAW
07-7000RDS	J85000007000	BODY FRONT HIPS
07-7000RDS	J85100009000	KNOB TONE HIPS
07-7000RDS	J85200049000	BUTTON POWER HIPS
07-7000RDS	J85200050000	BUTTON 7KEY HIPS
07-7000RDS	J85200051000	BUTTON 3KEY HIPS
07-7000RDS	J85200052000	BUTTON STANDBY
07-7000RDS	J85200053000	BUTTON 5KEY HIPS
07-7000RDS	J85400019000	INDICATOR STANDBY
07-7000RDS	J85400020000	INDICATOR VIDEO 4
07-7000RDS	J85400021000	ENDCAP LEFT HIPS
07-7000RDS	J85400022000	ENDCAP RIGHT HIPS
07-7000RDS	J85810009000	FL GUIDE HIPS 94HB
07-7000RDS	J85810010000	GUIDE POWER SW
07-7000RDS	J85810011000	GUIDE BUTTON 5KEY
07-7000RDS	J859000501000	FOOT-ASS'Y
07-7000RDS	J85040001000	REFRACTOR-1
07-7000RDS	M85000007000	BODY FRONT HIPS RA
07-7000RDS	M85100009000	KNOB TONE HIPS RAW
07-7000RDS	M85200049000	BUTTON POWER HIPS
07-7000RDS	M85200050300	BUTTON 5KEY HIPS R
07-7000RDS	M85200051000	BUTTON 3KEY HIPS R
07-7000RDS	M85200052000	BUTTON STANDBY HIP
07-7000RDS	M85400021000	ENDCAP LEFT HIPS R
07-7000RDS	M85400022000	ENDCAP RIGHT HIPS
07-7000RDS	M85810011000	BUTTON 5KEY RAW
07-7000RDS	N85200050000	BUTTON 7KEY HIPS R
07-7000RDS	J4481250021X	ANT FM 75OHM WIRE
07-7000RDS	J4482220011X	AM ANTENNAL LOOP
07-7000RDS	J44329000102	JACK MIC 9P GOLD
07-7000RDS	J44901000000	AC OUT 2.5A 250V R
07-7000RDS	J44001200300	TER.SCREW 2P
07-7000RDS	J44001800200	TER.SCREW 8P
07-7000RDS	J44301000300	JACK RCA 1P BK GND
07-7000RDS	J44301000300	JACK RCA 1P BK GND
07-7000RDS	J44302000700	JACK RCA 2P GND CAP
07-7000RDS	J44303000100	JACK RCA 3P
07-7000RDS	J44304000300	JACK RCA 4P GND CAP
07-7000RDS	J44300000001	JACK RCA 6P GND
07-7000RDS	J44306000101	JACK RCA 6P GND W/

07-7000RDS	J44309000000	JACK RCA 9P GND CAP
07-7000RDS	J44311000100	JACK S-VIDEO 1P
07-7000RDS	J44312000100	JACK RCA+S GND CAP
07-7000RDS	J4433210120X	JACK 1P
07-7000RDS	J4433220130X	JACK 2P
07-7000RDS	J94100001000	JUMPER
07-7000RDS	J4099100090X	TUNER MODULE
07-7000RDS	20253760XX	SOLDER BAR 63SN/37
07-7000RDS	20290210XX	SOLDER RELIACORE I
07-7000RDS	20290240XX	SOLDER ALPHA RELIA
07-7000RDS	20190880XX	WAX ZOPHAR 1340 12
07-7000RDS	20289550XX	GLUE HOT MELT 3M-3
07-7000RDS	20209720XX	GLUE THREE BOND 14
07-7000RDS	20289870XX	ADHESIVE (UL BOND)
07-7000RDS	20289930XX	GLUE ATOM BOND 250
07-7000RDS	20290110XX	LUBRICANT HYCHEM/T
07-7000RDS	20360370XX	SOLDER-FLUX P KAY
07-7000RDS	20457000XX	MAT-ING DOW CORNIN
07-7000RDS	6600287XXX	INK SILK GOLD
07-7000RDS	6600289XXX	INK SILK RED
07-7000RDS	AVR7000FP105	PAIN CHAMPAGNE LIG
07-7000RDS	AVR7000FP105	PAIN CHAMPAGNE LIG
07-7000RDS	D01865XXXXXX	PAINT BLACK
07-7000RDS	20289700XX	DILUTION THINNER 4
07-7000RDS	20289980XX	DILUTION IPI-783 3
07-7000RDS	20865460XX	DILUTION THINNER G
07-7000RDS	JE99005307EA	MNBD ASM 7000RDS
07-7000RDS	JE99005507EA	FRBD ASM 7000RDS
07-7000RDS	JE99005907UA	PREBD ASM AVR7000
07-7000RDS	JE99006307EA	VIDBD ASM 7000RDS
07-7000RDS	JE99006707UA	DSPBD ASM AVR7000
07-7000RDS	JE99007107EA	SUPBD ASM 7000RDS
07-7000RDS	JE99007307UA	2CH AMPBD ASM 7000
07-7000RDS	JE99007507UA	3CH AMPBD ASM 7000
07-7000RDS	JE99005407UA	MNDD APP AVR7000
07-7000RDS	JE99005607EA	FRBD APP 7000RDS
07-7000RDS	JE99005807EA	FRBD SMT 7000RDS
07-7000RDS	JE99006007UA	PREBD APP AVR7000
07-7000RDS	JE99006207UA	PREBD SMT AVR7000
07-7000RDS	JE99006407UA	VIDBD APP AVR7000
07-7000RDS	JE99006607UA	VIDBD SMT AVR7000
07-7000RDS	JE99006807UA	DSPBD APP AVR7000
07-7000RDS	JE99007007UA	DSPBD SMT AVR7000
07-7000RDS	JE99007207UA	SUPBD APP AVR7000
07-7000RDS	JE99007407UA	AVRC 2CH AMPBD APP
07-7000RDS	JE99007607UA	3CH AMPBD APP 7000
07-7000RDS	20932870XX	AC PRI LABEL QC CH
07-7000RDS	J90300002000	CARD-WARRANTY PAPE
07-7000RDS	J90300006000	HD CD CATALOGUE
07-7000RDS	J90300007000	LABEL "PLEASE"
07-7000RDS	J94100002000	SHIELD FORM 71TSN
07-7000RDS	J94100003000	SHIELD FORM 71SN
07-7000RDS	J96000010001	BOX CARTON 7000RDS
07-7000RDS	J97000501000	POLY BAG PE T0.05
07-7000RDS	J97000501010	AC CORD POLY BAG
07-7000RDS	J97100000000	POLY SHEET PE-FOAM
07-7000RDS	J97100502000	LABEL-DATC
07-7000RDS	J97100503000	LABEL RISK
07-7000RDS	J97100506000	CARD-POST
07-7000RDS	J97100507000	SAFETY LEAF
07-7000RDS	J97200006000	PAD SIDE AVR7000
07-7000RDS	J97300001000	PAD UPPER AVR7000
07-7000RDS	J97300002000	PAD INNER AVR7000
07-7000RDS	J97300002000	7000RDS PKG PL
07-7000RDS	.IP99001007EA	LABEL-BARCODE
07-7000RDS	TBD	MANUAL AVR7000 RDS
07-7000RDS	TBD	LABEL-SERIAL

# AVR7000 ELECTRICAL PARTS LIST

## MAIN PCB

Part#	Ref. Designator	Description	Qty	Part#	Ref. Designator	Description	Qty
C506	J3640104350X	CP MET .1U 250V -M	1	C577	J3470110071X	CE SG 10U 50V M	1
C507	J3640104350X	CP MET .1U 250V -M	1	C578	J3470110071X	CE SG 10U 50V M	1
C508	J3600473330X	CP .047U 100V K	1	C579	J3470110071X	CE SG 10U 50V M	1
C509	J3600473330X	CP .047U 100V K	1	C580	J3470110071X	CE SG 10U 50V M	1
C513	J3470110971X	CE SG 1U 50V M	1	C581	J3470147031X	CE SG 47U 16V M	1
C514	J3523104540X	CAP C/D/T .1U 25V	1	C582	J3470147031X	CE SG 47U 16V M	1
C515	J3470110971X	CE SG 1U 50V M	1	C583	J3470110071X	CE SG 10U 50V M	1
C516	J3523104540X	CAP C/D/T .1U 25V	1	C584	J3470110071X	CE SG 10U 50V M	1
C517	J3600473330X	CP .047U 100V K	1	C585	J3470110071X	CE SG 10U 50V M	1
C518	J3600473330X	CP .047U 100V K	1	C586	J3470110071X	CE SG 10U 50V M	1
C522	J3470110971X	CE SG 1U 50V M	1	C587	J3470147031X	CE SG 47U 16V M	1
C523	J3523104540X	CAP C/D/T .1U 25V	1	C588	J3470147031X	CE SG 47U 16V M	1
C525	J3523104540X	CAP C/D/T .1U 25V	1	C589	J3600472330X	CP .0047U 100V K	1
C526	J3470110971X	CE SG 1U 50V M	1	C590	J3600472330X	CP .0047U 100V K	1
C527	J3523104540X	CAP C/D/T .1U 25V	1	C591	J3600472330X	CP .0047U 100V K	1
C528	J3470110971X	CE SG 1U 50V M	1	C592	J3600472330X	CP .0047U 100V K	1
C529	J3523104540X	CAP C/D/T .1U 25V	1	C593	J3600472330X	CP .0047U 100V K	1
C530	J3513101270X	CC 100PF 50V	1	C594	J3600472330X	CP .0047U 100V K	1
C531	J3513101270X	CC 100PF 50V	1	C595	J3600472330X	CP .0047U 100V K	1
C532	J3513101270X	CC 100PF 50V	1	C596	J3600472330X	CP .0047U 100V K	1
C533	J3513101270X	CC 100PF 50V	1	C597	J3600472330X	CP .0047U 100V K	1
C534	J3513101270X	CC 100PF 50V	1	C598	J3600472330X	CP .0047U 100V K	1
C535	J3513101270X	CC 100PF 50V	1	C599	J3600473330X	CP .047U 100V K	1
C536	J3513101270X	CC 100PF 50V	1	C601	J3600473330X	CP .047U 100V K	1
C537	J3513101270X	CC 100PF 50V	1	C603	J3470110971X	CE SG 1U 50V M	1
C538	J3513101270X	CC 100PF 50V	1	C604	J3523104540X	CAP C/D/T .1U 25V	1
C539	J3513101270X	CC 100PF 50V	1	C605	J3470147031X	CE SG 47U 16V M	1
C540	J3513101270X	CC 100PF 50V	1	C608	J3600473330X	CP .047U 100V K	1
C541	J3513101270X	CC 100PF 50V	1	C609	J3600473330X	CP .047U 100V K	1
C542	J3470110071X	CE SG 10U 50V M	1	C610	J3600473330X	CP .047U 100V K	1
C543	J3470110071X	CE SG 10U 50V M	1	C611	J3600473330X	CP .047U 100V K	1
C544	J3470110071X	CE SG 10U 50V M	1	C612	J3600473330X	CP .047U 100V K	1
C545	J3470110071X	CE SG 10U 50V M	1	C613	J3514101270X	CC 100P 50V K	1
C547	J3470147031X	CE SG 47U 16V M	1	C614	J3514101270X	CC 100P 50V K	1
C548	J3523104540X	CAP C/D/T .1U 25V	1	C615	J3514101270X	CC 100P 50V K	1
C549	J3523104540X	CAP C/D/T .1U 25V	1	D517	J2221010000X	DIODE SW IN4148	1
C550	J3470110071X	CE SG 10U 50V M	1	D518	J2221010000X	DIODE SW IN4148	1
C551	J3470110071X	CE SG 10U 50V M	1	D519	J2221010000X	DIODE SW IN4148	1
C552	J3523104540X	CAP C/D/T .1U 25V	1	D520	J2221010000X	DIODE SW IN4148	1
C553	J3470110071X	CE SG 10U 50V M	1	D521	J2221010000X	DIODE SW IN4148	1
C554	J3470110971X	CE SG 1U 50V M	1	D522	J2221010000X	DIODE SW IN4148	1
C555	J3470110971X	CE SG 1U 50V M	1	D523	J2221010000X	DIODE SW IN4148	1
C556	J3470110971X	CE SG 1U 50V M	1	D524	J2221010000X	DIODE SW IN4148	1
C557	J3470110971X	CE SG 1U 50V M	1	FC501	J4210020001X	FUSE CLIP 0.3T	1
C558	J3470110971X	CE SG 1U 50V M	1	FC502	J4210020001X	FUSE CLIP 0.3T	1
C559	J3470110971X	CE SG 1U 50V M	1	FC503	J4210020001X	FUSE CLIP 0.3T	1
C560	J3470147031X	CE SG 47U 16V M	1	FC504	J4210020001X	FUSE CLIP 0.3T	1
C561	J3523104540X	CAP C/D/T .1U 25V	1	FC505	J4210020001X	FUSE CLIP 0.3T	1
C565	J3470147031X	CE SG 47U 16V M	1	FC506	J4210020001X	FUSE CLIP 0.3T	1
C566	J3523104540X	CAP C/D/T .1U 25V	1	FC507	J4210020001X	FUSE CLIP 0.3T	1
C567	J3470110131X	CE SG 100U 16V M	1	FC508	J4210020001X	FUSE CLIP 0.3T	1
C568	J3470122041X	CE 22U 25V 5*11	1	FC509	J4210020001X	FUSE CLIP 0.3T	1
C569	J3470110131X	CE SG 100U 16V M	1	FC510	J4210020001X	FUSE CLIP 0.3T	1
C570	J3470122041X	CE 22U 25V 5*11	1	FC511	J4210020001X	FUSE CLIP 0.3T	1
C571	J3470110131X	CE SG 100U 16V M	1	FC512	J4210020001X	FUSE CLIP 0.3T	1
C572	J3470122041X	CE 22U 25V 5*11	1	FC513	J4210020001X	FUSE CLIP 0.3T	1
C573	J3470110971X	CE SG 1U 50V M	1	FC514	J4210020001X	FUSE CLIP 0.3T	1
C574	J3523104540X	CAP C/D/T .1U 25V	1	FC515	J4210020001X	FUSE CLIP 0.3T	1
C575	J3470110971X	CE SG 1U 50V M	1	FC516	J4210020001X	FUSE CLIP 0.3T	1
C576	J3523104540X	CAP C/D/T .1U 25V	1	Q501	J2021020801X	TR MPSA06 Y TO-92	1

Q502	J2021000601X	TR PNP MPSA56 Y	1	R570	J3003222220X	RES CF 2K2 1/8W J	1
Q503	J2021020801X	TR MPSA06 Y TO-92	1	R571	J3003153220X	RES CF 15K 1/8W J	1
Q504	J2021000601X	TR PNP MPSA56 Y	1	R572	J3003153220X	RES CF 15K 1/8W J	1
Q505	J2021060001X	TR NPN KTD1302 B	1	R573	J3003472220X	RES CF 4K7 1/8 J	1
Q506	J2021060001X	TR NPN KTD1302 B	1	R580	J3003103220X	RES CF 10K 1/8 J	1
Q507	J2021060001X	TR NPN KTD1302 B	1	R581	J3003103220X	RES CF 10K 1/8 J	1
Q508	J2021060001X	TR NPN KTD1302 B	1	'050	J60530001000	HEATSINK 46*12*45H	1
Q509	J2021220102X	TR NPN DTC114YSA	1	'060	J60530003000	HEATSINK 17*15*45H	1
Q510	J2021200002X	TR PNP DTA114YS	1	'090	J5636140010X	SCREW	1
R507	J3003471220X	RES CF 470 1/8 J	1	CN501	J4370009910X	CNT 14P 160MM 2.0	1
R508	J3003471220X	RES CF 470 1/8 J	1	CN502	J4423231900X	CNT ST 35336-1910	1
R509	J3003104220X	RES CF 100K 1/8 J	1	CN503	J4423231900X	CNT ST 35336-1910	1
R510	J3003104220X	RES CF 100K 1/8 J	1	CN504	J4370009923X	CNT 7P 160#26 SL	1
R511	J3003471220X	RES CF 470 1/8 J	1	CP501	J4420040440X	CNT PLUG 2.5 ST 4P	1
R512	J3003471220X	RES CF 470 1/8 J	1	CP502	J4420040640X	CNT 2.5MM ST 6P	1
R513	J3003104220X	RES CF 100K 1/8	1	CP503	J4420030540X	CNT PLUG 2.0 ST 5P	1
R514	J3003104220X	RES CF 100K 1/8 J	1	CP505	J4420040200X	CNT ST 5267-02A	1
R515	J3003471220X	RES CF 470 1/8 J	1	CP506	J4420040200X	CNT ST 5267-02A	1
R516	J3003471220X	RES CF 470 1/8 J	1	CP507	J4420050300X	CNT ST 35313-0310	1
R517	J3003104220X	RES CF 100K 1/8 J	1	CP508	J4420060200X	CONNECTOR	1
R518	J3003104220X	RES CF 100K 1/8 J	1	CP509	J4420050500X	CONNECTOR	1
R519	J3003104220X	RES CF 100K 1/8 J	1	CP511	J4420040340X	CNT PLUG 2.5 ST 3P	1
R520	J3003104220X	RES CF 100K 1/8 J	1	CP512	J4420040240X	CNT GT250-2P-TS	1
R521	J3003104220X	RES CF 100K 1/8 J	1	C501	J3640104350X	CP MET .1U 250V -M	1
R522	J3003104220X	RES CF 100K 1/8 J	1	C502	J3640104350X	CP MET .1U 250V -M	1
R523	J3003750220X	RES CF 75 1/8 J	1	C503	J3640104350X	CP MET .1U 250V -M	1
R524	J3003750220X	RES CF 75 1/8 J	1	C504	J3402322286X	CE AHS 2200UF 100V	1
R525	J3003100220X	RES CF 10 1/8W J	1	C505	J3402322286X	CE AHS 2200UF 100V	1
R526	J3003750220X	RES CF 75 1/8 J	1	C510	J3600473330X	CP .047U 100V K	1
R527	J3003750220X	RES CF 75 1/8 J	1	C511	J3402347246X	CE AHS 4700UF 35V	1
R528	J3003100220X	RES CF 10 1/8W J	1	C512	J3402347246X	CE AHS 4700UF 35V	1
R529	J3003750220X	RES CF 75 1/8 J	1	C519	J3600473330X	CP .047U 100V K	1
R530	J3003750220X	RES CF 75 1/8 J	1	C520	J3420410326X	CE DL 10000UF 16V	1
R531	J3003750220X	RES CF 75 1/8 J	1	C521	J3420633226X	CE SHL 3300U 16V	1
R532	J3003100220X	RES CF 10 1/8W J	1	C524	J3470110211X	CE 1000UF 6.3V	1
R533	J3003750220X	RES CF 75 1/8 J	1	C600	J3600473330X	CP .047U 100V K	1
R534	J3003750220X	RES CF 75 1/8 J	1	C602	J3470110231X	CAP ELEC SG 1000UF	1
R537	J3003104220X	RES CF 100K 1/8 J	1	C606	J3470110211X	CE 1000UF 6.3V	1
R538	J3003104220X	RES CF 100K 1/8 J	1	C607	J3470110211X	CE 1000UF 6.3V	1
R539	J3003104220X	RES CF 100K 1/8 J	1	D501	J2221214000X	DIODE IN4003	1
R540	J3003104220X	RES CF 100K 1/8 J	1	D502	J2221214000X	DIODE IN4003	1
R541	J3003104220X	RES CF 100K 1/8 J	1	D503	J2221214000X	DIODE IN4003	1
R542	J3003104220X	RES CF 100K 1/8 J	1	D504	J2221214000X	DIODE IN4003	1
R543	J3003104220X	RES CF 100K 1/8 J	1	D505	J2221214000X	DIODE IN4003	1
R544	J3003104220X	RES CF 100K 1/8 J	1	D506	J2221214000X	DIODE IN4003	1
R545	J3003101220X	RES CF 100 1/8 J	1	D507	J2221214000X	DIODE IN4003	1
R546	J3003101220X	RES CF 100 1/8 J	1	D508	J2221214000X	DIODE IN4003	1
R547	J3003101220X	RES CF 100 1/8 J	1	D509	J2221214000X	DIODE IN4003	1
R548	J3003101220X	RES CF 100 1/8 J	1	D510	J2221214000X	DIODE IN4003	1
R549	J3003101220X	RES CF 100 1/8 J	1	D511	J2221214000X	DIODE IN4003	1
R550	J3003101220X	RES CF 100 1/8 J	1	D512	J2221214000X	DIODE IN4003	1
R552	J3003101220X	RES CF 100 1/8 J	1	D514	J2221214000X	DIODE IN4003	1
R553	J3003101220X	RES CF 100 1/8 J	1	D516	J2221214000X	DIODE IN4003	1
R554	J3003561220X	RES CF 560 1/8 J	1	F501	J5502216320X	FUSE SB 1.6A/125V	1
R555	J3003561220X	RES CF 560 1/8 J	1	F501	J5503316330X	FUSE T 250V/1.6A	1
R556	J3003561220X	RES CF 560 1/8 J	1	F502	J5502216320X	FUSE SB 1.6A/125V	1
R557	J3003561220X	RES CF 560 1/8 J	1	F502	J5503316330X	FUSE T 250V/1.6A	1
R558	J3003472220X	RES CF 4K7 1/8 J	1	F503	J5502231320X	FUSE SB 3.15A/125V	1
R559	J3003472220X	RES CF 4K7 1/8 J	1	F503	J5503331330X	FUSE 250V 3.15A	1
R560	J3003100220X	RES CF 10 1/8W J	1	F504	J5502231320X	FUSE SB 3.15A/125V	1
R561	J3003100220X	RES CF 10 1/8W J	1	F504	J5503331330X	FUSE 250V 3.15A	1
R562	J3003222220X	RES CF 2K2 1/8W J	1	F505	J5502235320X	FUSE SB 3.5A/125V	1
R563	J3003222220X	RES CF 2K2 1/8W J	1	F505	J5503331330X	FUSE 250V 3.15A	1
R564	J3003153220X	RES CF 15K 1/8W J	1	F506	J5502235320X	FUSE SB 3.5A/125V	1
R565	J3003472220X	RES CF 4K7 1/8 J	1	F506	J5503331330X	FUSE 250V 3.15A	1
R566	J3003472220X	RES CF 4K7 1/8 J	1	F507	J5502212320X	FUSE SB 1.25A/125V	1
R567	J3003100220X	RES CF 10 1/8W J	1	F507	J5503312330X	FUSE T 1.25/250V	1
R568	J3003100220X	RES CF 10 1/8W J	1	F508	J5502212320X	FUSE SB 1.25A/125V	1
R569	J3003222220X	RES CF 2K2 1/8W J	1	F508	J5503312330X	FUSE T 1.25/250V	1



GND50	J4200020000X	GND PLATE	1	C761	J3600473330X	CP .047U 100V K	1
IC501	J2110505006X	IC KIA7815P	1	C762	J3600473330X	CP .047U 100V K	1
IC502	J2112505018X	IC KIA7915PI TO220	1	Q722	J2021220102X	TR NPN DTC114YSA	1
IC503	J2110505002X	IC KIA7805P	1	Q723	J2021220102X	TR NPN DTC114YSA	1
IC504	J2110505002X	IC KIA7805P	1	Q724	J2021220102X	TR NPN DTC114YSA	1
IC505	J2112504001X	IC BA033T	1	Q725	J2021220102X	TR NPN DTC114YSA	1
IC506	J2112504001X	IC BA033T	1	Q726	J2021020801X	TR MPSA06 Y TO-92	1
IC507	J2110212000X	IC OPAMP 2068DD	1	Q731	J2021020201X	TR NPN KTC3198 BL	1
IC508	J2116004003X	IC BA7603F VIDEO	1	SW701	J46500500002	SW TACT	1
IC509	J2116004001X	IC BA7660FS 3-CH	1	SW702	J46500500002	SW TACT	1
IC510	J2110505002X	IC KIA7805P	1	SW703	J46500500002	SW TACT	1
IC511	J2112505014X	IC KIA7905PI	1	SW704	J46500500002	SW TACT	1
IC512	J2110212000X	IC OPAMP 2068DD	1	SW705	J46500500002	SW TACT	1
IC513	J2110212000X	IC OPAMP 2068DD	1	SW706	J46500500002	SW TACT	1
IC514	J2110505002X	IC KIA7805P	1	SW707	J46500500002	SW TACT	1
JAC50	J44306000001	JACK RCA 6P GND	1	SW708	J46500500002	SW TACT	1
JAC50	J44309000000	JACK RCA 9P GNDCAP	1	SW709	J46500500002	SW TACT	1
R501	J3030100720X	RES 10 OHM 2W J	1	SW710	J46500500002	SW TACT	1
R502	J3030100720X	RES 10 OHM 2W J	1	SW711	J46500500002	SW TACT	1
R503	J3030479720X	RES 4R7 OHM 2W J C	1	SW712	J46500500002	SW TACT	1
R504	J3030479720X	RES 4R7 OHM 2W J C	1	SW713	J46500500002	SW TACT	1
R505	J3030479720X	RES 4R7 OHM 2W J C	1	SW714	J46500500002	SW TACT	1
R506	J3030479720X	RES 4R7 OHM 2W J C	1	SW715	J46500500002	SW TACT	1
R535	J3030479720X	RES 4R7 OHM 2W J C	1	SW716	J46500500002	SW TACT	1
R536	J3030479720X	RES 4R7 OHM 2W J C	1	SW717	J46500500002	SW TACT	1
R551	J3030479720X	RES 4R7 OHM 2W J C	1	CL710	J3525472170X	CC/CHIP 4700PF 50V	1
R574	J3010332620X	RES 3K3 OHM 1W J C	1	CL711	J3515101270X	CC/CHIP 100P 50V J	1
R575	J3030100720X	RES 10 OHM 2W J	1	CR710	J3525472170X	CC/CHIP 4700PF 50V	1
R576	J3030100720X	RES 10 OHM 2W J	1	CR711	J3515101270X	CC/CHIP 100P 50V J	1
R577	J3030100720X	RES 10 OHM 2W J	1	C712	J3515101270X	CC/CHIP 100P 50V J	1
R578	J3030100720X	RES 10 OHM 2W J	1	C715	J3515101270X	CC/CHIP 100P 50V J	1
R579	J3030100720X	RES 10 OHM 2W J	1	C716	J3515101270X	CC/CHIP 100P 50V J	1
SPK50	J44001800200	TER.SCREW 8P	1	C718	J3525104540X	CC/CHIP 0.1U 25V Z	1
SPK50	J44001200300	TER.SCREW 2P	1	C719	J3515330270X	CC/CHIP 33P 50V J	1
W501	J4370009934X	1P AWG1007 90MM#18	1	C720	J3515470270X	CC/CHIP 47P 50V	1
W502	J4370009939X	WIRE 1P 50MM#18 PC	1	C721	J3515330270X	CC/CHIP 33P 50V J	1

### FRONT PCB

CL701	J3470810031X	CE AHS 10M 16V	1	C722	J3525104540X	CC/CHIP 0.1U 25V Z	1
CL702	J3513101270X	CC 100PF 50V	1	C723	J3515821170X	CC/CHIP 820P 50V J	1
CL703	J3513220270X	CAP CH 22PF 50V J	1	C726	J3515821170X	CC/CHIP 820P 50V J	1
CL704	J3470810031X	CE AHS 10M 16V	1	C728	J3525104540X	CC/CHIP 0.1U 25V Z	1
CL705	J3470810031X	CE AHS 10M 16V	1	C729	J3525104540X	CC/CHIP 0.1U 25V Z	1
CL706	J3681183231X	CAP 0.018UF 100V J	1	C733	J3525104540X	CC/CHIP 0.1U 25V Z	1
CL707	J3681823231X	CAP 0.082UF 100V J	1	C737	J3515101270X	CC/CHIP 100P 50V J	1
CL708	J3681332231X	CAP 0.0033UF 100V	1	C738	J3515101270X	CC/CHIP 100P 50V J	1
CL709	J3681183231X	CAP 0.018UF 100V J	1	C740	J3515101270X	CC/CHIP 100P 50V J	1
CR701	J3470810031X	CE AHS 10M 16V	1	C745	J3515101270X	CC/CHIP 100P 50V J	1
CR702	J3513101270X	CC 100PF 50V	1	C746	J3515101270X	CC/CHIP 100P 50V J	1
CR703	J3513220270X	CAP CH 22PF 50V J	1	C747	J3515101270X	CC/CHIP 100P 50V J	1
CR704	J3470810031X	CE AHS 10M 16V	1	C748	J3515101270X	CC/CHIP 100P 50V J	1
CR705	J3470810031X	CE AHS 10M 16V	1	C749	J3515101270X	CC/CHIP 100P 50V J	1
CR706	J3681183231X	CAP 0.018UF 100V J	1	C752	J3525104540X	CC/CHIP 0.1U 25V Z	1
CR707	J3681823231X	CAP 0.082UF 100V J	1	C753	J3515101270X	CC/CHIP 100P 50V J	1
CR708	J3681332231X	CAP 0.0033UF 100V	1	C763	J3515101270X	CC/CHIP 100P 50V J	1
CR709	J3681183231X	CAP 0.018UF 100V J	1	C764	J3515101270X	CC/CHIP 100P 50V J	1
C717	J3470147071X	CE SG 47U 50V M	1	C765	J3515101270X	CC/CHIP 100P 50V J	1
C722	J3470110071X	CE SG 10U 50V M	1	C766	J3515101270X	CC/CHIP 100P 50V J	1
C724	J3470110871X	CE SG 0.1UF 50V M	1	C767	J3515101270X	CC/CHIP 100P 50V J	1
C727	J3470147031X	CE SG 47U 16V M	1	C768	J3515101270X	CC/CHIP 100P 50V J	1
C731	J3470147031X	CE SG 47U 16V M	1	C769	J3515101270X	CC/CHIP 100P 50V J	1
C732	J3470110071X	CE SG 10U 50V M	1	C770	J3515101270X	CC/CHIP 100P 50V J	1
C734	J3470147071X	CE SG 47U 50V M	1	C771	J3515101270X	CC/CHIP 100P 50V J	1
C741	J3470147031X	CE SG 47U 16V M	1	D763	J2244010104X	DIODE CHIP 1SS355	1
C750	J3470147031X	CE SG 47U 16V M	1	D764	J2244010104X	DIODE CHIP 1SS355	1
C751	J3470147031X	CE SG 47U 16V M	1	D765	J2244010104X	DIODE CHIP 1SS355	1
C754	J3470147031X	CE SG 47U 16V M	1	D766	J2244010104X	DIODE CHIP 1SS355	1
C755	J3470147031X	CE SG 47U 16V M	1	D767	J2244010104X	DIODE CHIP 1SS355	1
				D768	J2244010104X	DIODE CHIP 1SS355	1
				D769	J2244010104X	DIODE CHIP 1SS355	1
				D770	J2244010104X	DIODE CHIP 1SS355	1

D771	J2244010104X	DIODE CHIP 1SS355	1	RL710	J3024222120X	RES CHIP 2K2 1/10W	1
D772	J2244010104X	DIODE CHIP 1SS355	1	RL711	J3024471120X	RES CHIP 470 1/10W	1
D773	J2244010104X	DIODE CHIP 1SS355	1	RR701	J3024102120X	RES CHIP 1K 1/10W	1
D774	J2244010104X	DIODE CHIP 1SS355	1	RR702	J3024104120X	RES CHIP 100K 1/10	1
D775	J2244010104X	DIODE CHIP 1SS355	1	RR703	J3024105120X	RES CHIP 1M 1/10WJ	1
D776	J2244010104X	DIODE CHIP 1SS355	1	RR704	J3024473120X	RES CHIP 47K 1/10W	1
D779	J2244010104X	DIODE CHIP 1SS355	1	RR705	J3024471120X	RES CHIP 470 1/10W	1
D780	J2244010104X	DIODE CHIP 1SS355	1	RR706	J3024104120X	RES CHIP 100K 1/10	1
IC702	J2141004002X	IC BU4094 SOP16	1	RR707	J3024681120X	RES CHIP 680 1/10W	1
IC703	J2141004002X	IC BU4094 SOP16	1	RR708	J3024392120X	RES CHIP 3K9 1/10W	1
IC704	J2141004002X	IC BU4094 SOP16	1	RR709	J3024223120X	RES CHIP 22K 1/10W	1
J107	J3024000120X	RES 0 OHM 1/10W J	1	RR710	J3024222120X	RES CHIP 2K2 1/10W	1
J111	J3024000120X	RES 0 OHM 1/10W J	1	RR711	J3024471120X	RES CHIP 470 1/10W	1
J114	J3024000120X	RES 0 OHM 1/10W J	1	R712	J3024151120X	RES CHIP 150 1/10W	1
J115	J3024000120X	RES 0 OHM 1/10W J	1	R713	J3024151120X	RES CHIP 150 1/10W	1
J127	J3024000120X	RES 0 OHM 1/10W J	1	R714	J3024151120X	RES CHIP 150 1/10W	1
J128	J3024000120X	RES 0 OHM 1/10W J	1	R715	J3024151120X	RES CHIP 150 1/10W	1
J129	J3024000120X	RES 0 OHM 1/10W J	1	R716	J3024151120X	RES CHIP 150 1/10W	1
J131	J3024000120X	RES 0 OHM 1/10W J	1	R717	J3024151120X	RES CHIP 150 1/10W	1
J139	J3024000120X	RES 0 OHM 1/10W J	1	R718	J3024151120X	RES CHIP 150 1/10W	1
J140	J3024000120X	RES 0 OHM 1/10W J	1	R719	J3024151120X	RES CHIP 150 1/10W	1
J142	J3024000120X	RES 0 OHM 1/10W J	1	R720	J3024151120X	RES CHIP 150 1/10W	1
J143	J3024000120X	RES 0 OHM 1/10W J	1	R721	J3024151120X	RES CHIP 150 1/10W	1
J144	J3024000120X	RES 0 OHM 1/10W J	1	R722	J3024151120X	RES CHIP 150 1/10W	1
J146	J3024000120X	RES 0 OHM 1/10W J	1	R723	J3024151120X	RES CHIP 150 1/10W	1
J149	J3024000120X	RES 0 OHM 1/10W J	1	R724	J3024151120X	RES CHIP 150 1/10W	1
J156	J3024000120X	RES 0 OHM 1/10W J	1	R725	J3024151120X	RES CHIP 150 1/10W	1
J157	J3024000120X	RES 0 OHM 1/10W J	1	R726	J3024151120X	RES CHIP 150 1/10W	1
J165	J3024000120X	RES 0 OHM 1/10W J	1	R727	J3024151120X	RES CHIP 150 1/10W	1
J166	J3024000120X	RES 0 OHM 1/10W J	1	R728	J3024151120X	RES CHIP 150 1/10W	1
J170	J3024000120X	RES 0 OHM 1/10W J	1	R729	J3024151120X	RES CHIP 150 1/10W	1
J171	J3024000120X	RES 0 OHM 1/10W J	1	R730	J3024151120X	RES CHIP 150 1/10W	1
J176	J3024000120X	RES 0 OHM 1/10W J	1	R731	J3024151120X	RES CHIP 150 1/10W	1
J177	J3024000120X	RES 0 OHM 1/10W J	1	R732	J3024151120X	RES CHIP 150 1/10W	1
J710	J3024000120X	RES 0 OHM 1/10W J	1	R733	J3024151120X	RES CHIP 150 1/10W	1
J711	J3024000120X	RES 0 OHM 1/10W J	1	R734	J3024151120X	RES CHIP 150 1/10W	1
J712	J3024000120X	RES 0 OHM 1/10W J	1	R735	J3024151120X	RES CHIP 150 1/10W	1
Q701	J2041220202X	TR DTC114TK SMT3	1	R736	J3024151120X	RES CHIP 150 1/10W	1
Q702	J2041220202X	TR DTC114TK SMT3	1	R737	J3024151120X	RES CHIP 150 1/10W	1
Q703	J2041220202X	TR DTC114TK SMT3	1	R738	J3024151120X	RES CHIP 150 1/10W	1
Q704	J2041220202X	TR DTC114TK SMT3	1	R739	J3024151120X	RES CHIP 150 1/10W	1
Q705	J2041220202X	TR DTC114TK SMT3	1	R740	J3024151120X	RES CHIP 150 1/10W	1
Q706	J2041220202X	TR DTC114TK SMT3	1	R741	J3024151120X	RES CHIP 150 1/10W	1
Q707	J2041220202X	TR DTC114TK SMT3	1	R742	J3024151120X	RES CHIP 150 1/10W	1
Q708	J2041220202X	TR DTC114TK SMT3	1	R743	J3024151120X	RES CHIP 150 1/10W	1
Q709	J2041220202X	TR DTC114TK SMT3	1	R744	J3024151120X	RES CHIP 150 1/10W	1
Q710	J2041220202X	TR DTC114TK SMT3	1	R745	J3024151120X	RES CHIP 150 1/10W	1
Q711	J2041220202X	TR DTC114TK SMT3	1	R746	J3024471120X	RES CHIP 470 1/10W	1
Q712	J2041220202X	TR DTC114TK SMT3	1	R747	J3024101120X	RES CHIP 100 1/10W	1
Q713	J2041220202X	TR DTC114TK SMT3	1	R748	J3024102120X	RES CHIP 1K 1/10W	1
Q714	J2041220202X	TR DTC114TK SMT3	1	R749	J3024102120X	RES CHIP 1K 1/10W	1
Q715	J2041220202X	TR DTC114TK SMT3	1	R750	J3024102120X	RES CHIP 1K 1/10W	1
Q716	J2041220202X	TR DTC114TK SMT3	1	R751	J3024101120X	RES CHIP 100 1/10W	1
Q717	J2041220202X	TR DTC114TK SMT3	1	R752	J3024102120X	RES CHIP 1K 1/10W	1
Q718	J2041220202X	TR DTC114TK SMT3	1	R753	J3024102120X	RES CHIP 1K 1/10W	1
Q719	J2041220202X	TR DTC114TK SMT3	1	R754	J3024102120X	RES CHIP 1K 1/10W	1
Q720	J2041220202X	TR DTC114TK SMT3	1	R755	J3024102120X	RES CHIP 1K 1/10W	1
Q721	J2041220101X	TR KRC110S SOT23	1	R756	J3024102120X	RES CHIP 1K 1/10W	1
Q727	J2041220102X	TR NPN DTC114YKA	1	R757	J3024102120X	RES CHIP 1K 1/10W	1
Q728	J2041220102X	TR NPN DTC114YKA	1	R758	J3024102120X	RES CHIP 1K 1/10W	1
RL701	J3024102120X	RES CHIP 1K 1/10W	1	R759	J3024473120X	RES CHIP 47K 1/10W	1
RL702	J3024104120X	RES CHIP 100K 1/10	1	R760	J3024473120X	RES CHIP 47K 1/10W	1
RL703	J3024105120X	RES CHIP 1M 1/10WJ	1	R761	J3024102120X	RES CHIP 1K 1/10W	1
RL704	J3024473120X	RES CHIP 47K 1/10W	1	R762	J3024102120X	RES CHIP 1K 1/10W	1
RL705	J3024471120X	RES CHIP 470 1/10W	1	R763	J3024102120X	RES CHIP 1K 1/10W	1
RL706	J3024104120X	RES CHIP 100K 1/10	1	R764	J3024102120X	RES CHIP 1K 1/10W	1
RL707	J3024681120X	RES CHIP 680 1/10W	1	R765	J3024102120X	RES CHIP 1K 1/10W	1
RL708	J3024392120X	RES CHIP 3K9 1/10W	1	R766	J3024102120X	RES CHIP 1K 1/10W	1
RL709	J3024223120X	RES CHIP 22K 1/10W	1	R767	J3024102120X	RES CHIP 1K 1/10W	1

R768	J3024102120X	RES CHIP 1K 1/10W	1	CN705	J4370009905X	CNT 2P 600#20 SL	1
R769	J3024102120X	RES CHIP 1K 1/10W	1	CN706	J4370009914X	CNT 9P 500#28 SL	1
R770	J3024102120X	RES CHIP 1K 1/10W	1	CN707	J4112294701X	CABLE 1.25 29P 470	1
R771	J3024104120X	RES CHIP 100K 1/10	1	CN709	J4112194501X	CABLE 1.25 19P 450	1
R772	J3024102120X	RES CHIP 1K 1/10W	1	CP701	J4422112920X	FPC ANG 1.25MM 29P	1
R773	J3024102120X	RES CHIP 1K 1/10W	1	CP702	J4422111920X	FPC PLUG 19P 1.25M	1
R774	J3024102120X	RES CHIP 1K 1/10W	1	C730	J3432147324X	CAP 0.047F 5.5V	1
R775	J3024101120X	RES CHIP 100 1/10W	1	D701	J2301213022X	LED GN LTL1CHGEC 3	1
R776	J3024102120X	RES CHIP 1K 1/10W	1	D702	J2301213022X	LED GN LTL1CHGEC 3	1
R781	J3024472120X	RES CHIP 4K7 1/10W	1	D703	J2301213022X	LED GN LTL1CHGEC 3	1
R782	J3024472120X	RES CHIP 4K7 1/10W	1	D704	J2301213022X	LED GN LTL1CHGEC 3	1
R783	J3024472120X	RES CHIP 4K7 1/10W	1	D705	J2301213022X	LED GN LTL1CHGEC 3	1
R784	J3024472120X	RES CHIP 4K7 1/10W	1	D706	J2301213022X	LED GN LTL1CHGEC 3	1
R785	J3024472120X	RES CHIP 4K7 1/10W	1	D707	J2301213022X	LED GN LTL1CHGEC 3	1
R786	J3024242120X	RES CHIP 2K4 1/10	1	D708	J2301213022X	LED GN LTL1CHGEC 3	1
R787	J3024472120X	RES CHIP 4K7 1/10W	1	D709	J2301213022X	LED GN LTL1CHGEC 3	1
R788	J3024472120X	RES CHIP 4K7 1/10W	1	D711	J2301213022X	LED GN LTL1CHGEC 3	1
R789	J3024472120X	RES CHIP 4K7 1/10W	1	D712	J2301213022X	LED GN LTL1CHGEC 3	1
R790	J3024101120X	RES CHIP 100 1/10W	1	D713	J2301213022X	LED GN LTL1CHGEC 3	1
R791	J3024103120X	RES CHIP 10K 1/10W	1	D714	J2301213022X	LED GN LTL1CHGEC 3	1
R792	J3024103120X	RES CHIP 10K 1/10W	1	D715	J2301213022X	LED GN LTL1CHGEC 3	1
R793	J3024103120X	RES CHIP 10K 1/10W	1	D716	J2301213022X	LED GN LTL1CHGEC 3	1
R794	J3024472120X	RES CHIP 4K7 1/10W	1	D717	J2301213022X	LED GN LTL1CHGEC 3	1
R795	J3024472120X	RES CHIP 4K7 1/10W	1	D718	J2301213022X	LED GN LTL1CHGEC 3	1
R796	J3024103120X	RES CHIP 10K 1/10W	1	D719	J2301213022X	LED GN LTL1CHGEC 3	1
R797	J3024683120X	RES CHIP 68K 1/10W	1	D720	J2301213022X	LED GN LTL1CHGEC 3	1
R798	J3024683120X	RES CHIP 68K 1/10W	1	D721	J2301213022X	LED GN LTL1CHGEC 3	1
R799	J3024472120X	RES CHIP 4K7 1/10W	1	D722	J2301213022X	LED GN LTL1CHGEC 3	1
R800	J3024101120X	RES CHIP 100 1/10W	1	D723	J2301213022X	LED GN LTL1CHGEC 3	1
R801	J3024473120X	RES CHIP 47K 1/10W	1	D724	J2301213022X	LED GN LTL1CHGEC 3	1
R802	J3024104120X	RES CHIP 100K 1/10	1	D725	J2301213022X	LED GN LTL1CHGEC 3	1
R803	J3024822120X	R-CHIP 8K2 1/10W J	1	D726	J2301213022X	LED GN LTL1CHGEC 3	1
R804	J3024103120X	RES CHIP 10K 1/10W	1	D727	J2301213022X	LED GN LTL1CHGEC 3	1
R805	J3024471120X	RES CHIP 470 1/10W	1	D728	J2301213022X	LED GN LTL1CHGEC 3	1
R806	J3024471120X	RES CHIP 470 1/10W	1	D729	J2301213022X	LED GN LTL1CHGEC 3	1
R807	J3024391120X	R-CHIP 390 2012J	1	D730	J2301213022X	LED GN LTL1CHGEC 3	1
R808	J3024391120X	R-CHIP 390 2012J	1	D731	J2301213022X	LED GN LTL1CHGEC 3	1
R809	J3024339120X	RES CHIP 3R3 1/10	1	D732	J2301213022X	LED GN LTL1CHGEC 3	1
R810	J3024339120X	RES CHIP 3R3 1/10	1	D733	J2301213022X	LED GN LTL1CHGEC 3	1
R813	J3024472120X	RES CHIP 4K7 1/10W	1	D734	J2301213022X	LED GN LTL1CHGEC 3	1
R818	J3024103120X	RES CHIP 10K 1/10W	1	D735	J2301213022X	LED GN LTL1CHGEC 3	1
R823	J3024102120X	RES CHIP 1K 1/10W	1	D736	J2301213022X	LED GN LTL1CHGEC 3	1
R824	J3024102120X	RES CHIP 1K 1/10W	1	D737	J2301213022X	LED GN LTL1CHGEC 3	1
R825	J3024102120X	RES CHIP 1K 1/10W	1	D738	J2301213022X	LED GN LTL1CHGEC 3	1
R826	J3024102120X	RES CHIP 1K 1/10W	1	D739	J2301213022X	LED GN LTL1CHGEC 3	1
R827	J3024102120X	RES CHIP 1K 1/10W	1	D740	J2301213022X	LED GN LTL1CHGEC 3	1
R828	J3024472120X	RES CHIP 4K7 1/10W	1	D741	J2301213022X	LED GN LTL1CHGEC 3	1
R829	J3024472120X	RES CHIP 4K7 1/10W	1	D742	J2301213022X	LED GN LTL1CHGEC 3	1
R830	J3024472120X	RES CHIP 4K7 1/10W	1	D743	J2301213022X	LED GN LTL1CHGEC 3	1
R835	J3024221120X	R-CHIP 220 2012J	1	D744	J2301213022X	LED GN LTL1CHGEC 3	1
R836	J3024221120X	R-CHIP 220 2012J	1	D745	J2301213022X	LED GN LTL1CHGEC 3	1
R837	J3024103120X	RES CHIP 10K 1/10W	1	D762	J2221010000X	DIODE SW IN4148	1
R841	J3024472120X	RES CHIP 4K7 1/10W	1	D777	J2302210012X	LED RED/GREEN 3F	1
R851	J3024151120X	RES CHIP 150 1/10W	1	D781	J2221010000X	DIODE SW IN4148	1
R852	J3024151120X	RES CHIP 150 1/10W	1	D782	J2221010000X	DIODE SW IN4148	1
R853	J3024151120X	RES CHIP 150 1/10W	1	FL701	J2352220021X	VFD CM19010	1
R854	J3024151120X	RES CHIP 150 1/10W	1	IC701	J2132314040X	IC CXP82860-196Q	1
R855	J3024151120X	RES CHIP 150 1/10W	1	IC705	J2110222001X	IC OPAMP OP275	1
R856	J3024151120X	RES CHIP 150 1/10W	1	JAC70	J44303000100	JACK RCA 3P	1
R857	J3024151120X	RES CHIP 150 1/10W	1	JAC70	J44311000100	JACK S-VIDEO 1P	1
R858	J3024151120X	RES CHIP 150 1/10W	1	L701	J2616247920X	COIL 4.7UH K	1
R859	J3024151120X	RES CHIP 150 1/10W	1	L702	J2616247920X	COIL 4.7UH K	1
R860	J3024151120X	RES CHIP 150 1/10W	1	L703	J2616247920X	COIL 4.7UH K	1
R861	J3024472120X	RES CHIP 4K7 1/10W	1	RMC70	J2411320014X	REM 38KHZ	1
100	J60600006000	SHIELD FENCE TONE	1	VR701	J32616100001	ENCODER EC 16E	1
CN701	J4370009901X	CNT 5P 160#26 SL	1	VR702	J32214000101	VR-ROTARY 14MM	1
CN702	J4370009904X	12P S 350/400#28	1	VR703	J32214000201	VR-ROTARY 14MM	1
CN703	J4370009945X	CNT 9P 420#28 SH	1	VR704	J32214000201	VR-ROTARY 14MM	1
CN704	J4370009902X	CNT 7P 300#26 SL	1	X701	J3911030020X	RESONATOR ZTA10MTT	1

**POWER SUPPLY BD**

050	J4490000000*AC OUTLET UL	1
050	J4490100000*AC OUT 2.5A 250V R	1
080	J5636140030X SCREW	1
090	J60510003100 HEATSINK	1
110	J5541001020X WASHER FLAT	1
CN453	J4370009913X CNT 3P 650#24 SL	1
CN454	J4370009919X CNT 2P 650#16 DL	1
CN454	J4370009942X CNT 2P 650#16 DL D	1
CN461	J4370009912X CNT 2P 350MM 7.92	1
CN462	J4370009947X CNT 5P 600#16 DL	1
CN463	J4370009916X CNT 2P 160#16 SL	1
CN771	J4370009907X CNT 12.0 2P 350MM	1
CN771	J4370009941X CNT 2P 300#16 DL D	1
CP451	J4420080270X CONNECTOR 2P	1
CP452	J4420080270X CONNECTOR 2P	1
CP453	J4420080270X CONNECTOR 2P	1
CP454	J4420080270X CONNECTOR 2P	1
CP455	J4420080270X CONNECTOR 2P	1
CP456	J4420080270X CONNECTOR 2P	1
CP457	J4420040340X CNT PLUG 2.5 ST 3P	1
CP458	J4420030740X CNT PLUG 2.0ST 7P	1
CP459	J4420040440X CNT PLUG 2.5 ST 4P	1
CP460	J4420070370X CONNECTOR 03P	1
C451	J3531472412X CAP AC250V 472-M	1
C452	J3640104350X CP MET .1U 250V -M	1
C457	J3420922306X CE AH 22000U 90V	1
C457	J3420922308X CE 2200MF 90V	1
C458	J3420922306X CE AH 22000U 90V	1
C458	J3420922308X CE 2200MF 90V	1
C459	J3531472412X CAP AC250V 472-M	1
C460	J3531472412X CAP AC250V 472-M	1
C461	J3926100000X* X-C .1U PCX2 335M	1
C463	J3600473330X CP .047U 100V K	1
C466	J3470110241X CE SG 1000U 25V M	1
C469	J3531472412X CAP AC250V 472-M	1
C470	J3531472412X CAP AC250V 472-M	1
D451	J2221214000X DIODE IN4003	1
D452	J2204306002X DIODE KBPC3504WV	1
D453	J2221214000X DIODE IN4003	1
D454	J2221214000X DIODE IN4003	1
D455	J2221214000X DIODE IN4003	1
D456	J2221214000X DIODE IN4003	1
D457	J2221214000X DIODE IN4003	1
D460	J2221214000X DIODE IN4003	1
D463	J2221214000X DIODE IN4003	1
D464	J2221214000X DIODE IN4003	1
D465	J2221214000X DIODE IN4003	1
D466	J2221214000X DIODE IN4003	1
F451	J5502210320X FUSE SB 1A/125V	1
F451	J5503312330X FUSE T 1.25/250V	1
F452	J5502513420X FUSE SB 13A/125V	1
F452	J5503463320X FUSE T 6.3A/250V	1
F453	J5502250220X FUSE SB 500MA/125V	1
F453	J5503350230X FUSE T 500MMA/250V	1
GND45	J4200020000X GND PLATE	1
IC451	J2110505004X IC REG KIA7806P	1
RLY45	J5511300010X RELAY 10A 12V	1
RLY45	J5512300010X RELAY OSZ-SS-112DM	1
RLY45	J5511300010X RELAY 10A 12V	1
RLY45	J5512300010X RELAY OSZ-SS-112DM	1
RLY45	J5511300010X RELAY 10A 12V	1
R451	J3091335033X RES 3.3MOHM 1/2W	1
R452	J3091100921X RES 10 OHM 30WAT	1
SW719	J46208000004 SW POWER	1
T451	J2812220023X TRANS 120/60 ST-BY	1

T451	J2812420023X TRANS 230/50 ST-BY	1
W451	J4370009928X LUG WIRE 1P 50#24	1
R453	J3003472220X RES CF 4K7 1/8 J	1
R454	J3003472220X RES CF 4K7 1/8 J	1
R455	J3003150220X RES CF 15 1/8W J	1
R456	J3003102220X RES CF 1K 1/8 J	1
R457	J3003102220X RES CF 1K 1/8 J	1
R458	J3003103220X RES CF 10K 1/8 J	1
R459	J3003100220X RES CF 10 1/8W J	1
R460	J3003330220X RES CF 33 1/8W J	1
R461	J3003330220X RES CF 33 1/8W J	1
R462	J3003330220X RES CF 33 1/8W J	1
R463	J3003102220X RES CF 1K 1/8 J	1
R464	J3003103220X RES CF 10K 1/8 J	1
R465	J3003103220X RES CF 10K 1/8 J	1
R466	J3003103220X RES CF 10K 1/8 J	1
R467	J3003104220X RES CF 100K 1/8 J	1
R468	J3003103220X RES CF 10K 1/8 J	1
R469	J3003104220X RES CF 100K 1/8 J	1
R470	J3003153220X RES CF 15K 1/8W J	1
R471	J3003104220X RES CF 100K 1/8 J	1
R472	J3003222220X RES CF 2K2 1/8W J	1
R473	J3003103220X RES CF 10K 1/8 J	1
R474	J3003104220X RES CF 100K 1/8 J	1
R475	J3003104220X RES CF 100K 1/8 J	1
C453	J3640104350X CP MET .1U 250V -M	1
C454	J3640104350X CP MET .1U 250V -M	1
C455	J3640104350X CP MET .1U 250V -M	1
C456	J3640104350X CP MET .1U 250V -M	1
C462	J3600473330X CP .047U 100V K	1
C464	J3600473330X CP .047U 100V K	1
C465	J3470156871X CE SG .56U 50V M	1
C467	J3470110971X CE SG 1U 50V M	1
C468	J3523104540X CAP C/D/T .1U 25V	1
C471	J3470110971X CE SG 1U 50V M	1
C472	J3470110971X CE SG 1U 50V M	1
C473	J3470147121X CE SG 470U 10V M	1
C474	J3470110971X CE SG 1U 50V M	1
C475	J3470110171X CE SG 100U 50V M	1
C476	J3470110071X CE SG 10U 50V M	1
C477	J3640224320X CP MET .22U 63V -K	1
C478	J3523104540X CAP C/D/T .1U 25V	1
C479	J3523473540X CC Y5V .047U 25V Z	1
C480	J3523473540X CC Y5V .047U 25V Z	1
D458	J2221451534X D-ZENER .5W 5V1 J	1
D459	J2221010000X DIODE SW IN4148	1
D461	J2221491534X D-ZENER .5W 9V1 J	1
D462	J2221430634X D-ZENER .5W 30V J	1
FC451	J4210020001X FUSE CLIP 0.3T	1
FC452	J4210020001X FUSE CLIP 0.3T	1
FC453	J4210020001X FUSE CLIP 0.3T	1
FC454	J4210020001X FUSE CLIP 0.3T	1
FC455	J4210020001X FUSE CLIP 0.3T	1
FC456	J4210020001X FUSE CLIP 0.3T	1
Q451	J2021020801X TR MPSA06 Y TO-92	1
Q452	J2021020801X TR MPSA06 Y TO-92	1
Q453	J2021020801X TR MPSA06 Y TO-92	1
Q454	J2021020801X TR MPSA06 Y TO-92	1
Q455	J2021020801X TR MPSA06 Y TO-92	1
Q456	J2021020801X TR MPSA06 Y TO-92	1
Q457	J2021000601X TR PNP MPSA56 Y	1

**PREAMP BD**

CN201	J4370009927X CNT 7P 350MM 2.0	1
CN204	J4370009911X CNT 15P 160MM 2.0	1
CP201	J4420030740X CNT PLUG 2.0ST 7P	1
CP202	J4420030440X CNT PLUG 4P 2.0MM	1
CP203	J4420031040X CNT PLUG 2.0 10P	1

CP205	J4420031440X	CNT 2.0MM ST 14P	1	C260	J3470147031X	CE SG 47U 16V M	1
CP206	J4422012920X	FPC PLUG 1.25 29P	1	C262	J3470110071X	CE SG 10U 50V M	1
CP207	J4423331900X	CNT 2.0 35237-1910	1	C267	J3470147031X	CE SG 47U 16V M	1
CP208	J4420030940X	CNT PLUG 2.0 ST 9P	1	C268	J3470147031X	CE SG 47U 16V M	1
CP209	J4420031040X	CNT PLUG 2.0 10P	1	C272	J3470147031X	CE SG 47U 16V M	1
CP210	J4423330800X	CNT PLUG BD'BD 2.0	1	C273	J3470147031X	CE SG 47U 16V M	1
CP211	J4420030740X	CNT PLUG 2.0ST 7P	1	C276	J3470147031X	CE SG 47U 16V M	1
C223	J3470147031X	CE SG 47U 16V M	1	C277	J3470147031X	CE SG 47U 16V M	1
C224	J3470147031X	CE SG 47U 16V M	1	C280	J3470810031X	CE AHS 10M 16V	1
C238	J3470847031X	CE AH 47U 16V M	1	C281	J3470810031X	CE AHS 10M 16V	1
C243	J3470147031X	CE SG 47U 16V M	1	C282	J3470147031X	CE SG 47U 16V M	1
C244	J3470147031X	CE SG 47U 16V M	1	C286	J3470147031X	CE SG 47U 16V M	1
C245	J3470847031X	CE AH 47U 16V M	1	C287	J3470147031X	CE SG 47U 16V M	1
C246	J3470847031X	CE AH 47U 16V M	1	C291	J3470147031X	CE SG 47U 16V M	1
C247	J3470847031X	CE AH 47U 16V M	1	C292	J3470110071X	CE SG 10U 50V M	1
C252	J3470147031X	CE SG 47U 16V M	1	C293	J3470110071X	CE SG 10U 50V M	1
C253	J3470147031X	CE SG 47U 16V M	1	C294	J3470147031X	CE SG 47U 16V M	1
C263	J3470147031X	CE SG 47U 16V M	1	C297	J3470110071X	CE SG 10U 50V M	1
C264	J3470147031X	CE SG 47U 16V M	1	C298	J3470110071X	CE SG 10U 50V M	1
C274	J3470847031X	CE AH 47U 16V M	1	C299	J3470110071X	CE SG 10U 50V M	1
C275	J3470847031X	CE AH 47U 16V M	1	C300	J3470147031X	CE SG 47U 16V M	1
C284	J3470847031X	CE AH 47U 16V M	1	C303	J3470110071X	CE SG 10U 50V M	1
C288	J3470847031X	CE AH 47U 16V M	1	C306	J3470147031X	CE SG 47U 16V M	1
C304	J3470833131X	CE AHS 330M 16V	1	C309	J3470147031X	CE SG 47U 16V M	1
C305	J3470833131X	CE AHS 330M 16V	1	C310	J3470147031X	CE SG 47U 16V M	1
C320	J3470833131X	CE AHS 330M 16V	1	C311	J3470147031X	CE SG 47U 16V M	1
C321	J3470833131X	CE AHS 330M 16V	1	C314	J3470810031X	CE AHS 10M 16V	1
C338	J3402347226X	CAP AHS 4700UF16V	1	C315	J3470810031X	CE AHS 10M 16V	1
C339	J3402347226X	CAP AHS 4700UF16V	1	C316	J3470810031X	CE AHS 10M 16V	1
C348	J3470847031X	CE AH 47U 16V M	1	C317	J3470810031X	CE AHS 10M 16V	1
C349	J3470847031X	CE AH 47U 16V M	1	C318	J3513101270X	CC 100PF 50V	1
GND20	J4200020000X	GND PLATE	1	C319	J3513101270X	CC 100PF 50V	1
IC201	J2115206007X	IC TC9273S	1	C328	J3470110071X	CE SG 10U 50V M	1
IC202	J2115206007X	IC TC9273S	1	C334	J3470110071X	CE SG 10U 50V M	1
IC203	J2115206007X	IC TC9273S	1	C336	J3470147031X	CE SG 47U 16V M	1
IC204	J2121205002X	IC KIC9163AN	1	C337	J3470147031X	CE SG 47U 16V M	1
IC205	J2121205002X	IC KIC9163AN	1	C343	J3470110071X	CE SG 10U 50V M	1
IC206	J2115205004X	IC 6CH VOLKIC9482N	1	C344	J3470110071X	CE SG 10U 50V M	1
IC210	J2110212000X	IC OPAMP 2068DD	1	C350	J3470810031X	CE AHS 10M 16V	1
IC215	J2110222001X	IC OPAMP OP275	1	C351	J3470810031X	CE AHS 10M 16V	1
IC216	J2110212002X	IC OPAMP NJM5532	1	C362	J3470810031X	CE AHS 10M 16V	1
IC217	J2110212002X	IC OPAMP NJM5532	1	C363	J3470810031X	CE AHS 10M 16V	1
IC218	J2110212000X	IC OPAMP 2068DD	1	C364	J3524104540X	CC 0.1UF 25V	1
IC219	J2115205000X	IC KIC9459N DIP28	1	C365	J3524104540X	CC 0.1UF 25V	1
JAC20	J44306000101	JACK RCA 6P GND W/	1	C366	J3524104540X	CC 0.1UF 25V	1
JAC20	J44306000101	JACK RCA 6P GND W/	1	D203	J2221451534X	D-ZENER .5W 5V1 J	1
JAC20	J44306000101	JACK RCA 6P GND W/	1	Q201	J2021200002X	TR PNP DTA114YS	1
JAC20	J44306000101	JACK RCA 6P GND W/	1	Q202	J2021200002X	TR PNP DTA114YS	1
JAC20	J44304000300	JACK RCA 4P GND CAP	1	Q203	J2021200002X	TR PNP DTA114YS	1
JAC20	J44301000300	JACK RCA 1P BK GND	1	Q204	J2021200002X	TR PNP DTA114YS	1
R403	J3003472529X	RES 4K7 1/2W J	1	Q205	J2021060001X	TR NPN KTD1302 B	1
W201	J4370009921X	1P AWG1007 120#18	1	Q206	J2021060001X	TR NPN KTD1302 B	1
W202	J4370009922X	WIRE 1P 80#24	1	Q207	J2021060001X	TR NPN KTD1302 B	1
W203	J4370009946X	WIRE 1P 500MM#18	1	Q208	J2021060001X	TR NPN KTD1302 B	1
C219	J3470110071X	CE SG 10U 50V M	1	Q209	J2021060001X	TR NPN KTD1302 B	1
C220	J3470110071X	CE SG 10U 50V M	1	Q210	J2021060001X	TR NPN KTD1302 B	1
C232	J3470810031X	CE AHS 10M 16V	1	Q211	J2021000001X	TR PNP KTA1023 Y	1
C237	J3470810031X	CE AHS 10M 16V	1	Q212	J2021020701X	TR NPN KTC3200 BL	1
C239	J3470110071X	CE SG 10U 50V M	1	Q213	J2021020701X	TR NPN KTC3200 BL	1
C240	J3470147121X	CE SG 470U 10V M	1	Q214	J2021020101X	TR NPN KTC1027 Y	1
C242	J3470110071X	CE SG 10U 50V M	1	Q215	J2021000001X	TR PNP KTA1023 Y	1
C248	J3470110071X	CE SG 10U 50V M	1	Q216	J2021020701X	TR NPN KTC3200 BL	1
C249	J3470110071X	CE SG 10U 50V M	1	Q217	J2021020701X	TR NPN KTC3200 BL	1
C250	J3470110071X	CE SG 10U 50V M	1	Q218	J2021020101X	TR NPN KTC1027 Y	1
C251	J3470110071X	CE SG 10U 50V M	1	Q219	J2021060001X	TR NPN KTD1302 B	1
C254	J3470147031X	CE SG 47U 16V M	1	Q220	J2021060001X	TR NPN KTD1302 B	1
C255	J3470147031X	CE SG 47U 16V M	1	Q224	J2021020801X	TR MPSA06 Y TO-92	1
C256	J3470147031X	CE SG 47U 16V M	1	Q227	J2021020801X	TR MPSA06 Y TO-92	1
C259	J3470110071X	CE SG 10U 50V M	1	Q228	J2021020801X	TR MPSA06 Y TO-92	1

Q229	J2021200002X	TR PNP DTA114YS	1	R450	J3003101220X	RES CF 100 1/8 J	1
Q230	J2021200002X	TR PNP DTA114YS	1	C201	J3515101270X	CC/CHIP 100P 50V J	1
R222	J3003101220X	RES CF 100 1/8 J	1	C202	J3515101270X	CC/CHIP 100P 50V J	1
R223	J3003101220X	RES CF 100 1/8 J	1	C203	J3515101270X	CC/CHIP 100P 50V J	1
R240	J3003101220X	RES CF 100 1/8 J	1	C204	J3515101270X	CC/CHIP 100P 50V J	1
R242	J3003101220X	RES CF 100 1/8 J	1	C205	J3515101270X	CC/CHIP 100P 50V J	1
R247	J3003101220X	RES CF 100 1/8 J	1	C206	J3515101270X	CC/CHIP 100P 50V J	1
R248	J3003101220X	RES CF 100 1/8 J	1	C207	J3515101270X	CC/CHIP 100P 50V J	1
R253	J3003101220X	RES CF 100 1/8 J	1	C208	J3515101270X	CC/CHIP 100P 50V J	1
R254	J3003101220X	RES CF 100 1/8 J	1	C209	J3515472170X	CC/CHIP 4700PF 50V	1
R261	J3003101220X	RES CF 100 1/8 J	1	C210	J3515472170X	CC/CHIP 4700PF 50V	1
R262	J3003101220X	RES CF 100 1/8 J	1	C211	J3515101270X	CC/CHIP 100P 50V J	1
R265	J3003104220X	RES CF 100K 1/8 J	1	C212	J3515101270X	CC/CHIP 100P 50V J	1
R277	J3003102220X	RES CF 1K 1/8 J	1	C213	J3515101270X	CC/CHIP 100P 50V J	1
R278	J3003102220X	RES CF 1K 1/8 J	1	C214	J3515101270X	CC/CHIP 100P 50V J	1
R279	J3003102220X	RES CF 1K 1/8 J	1	C215	J3515101270X	CC/CHIP 100P 50V J	1
R280	J3003101220X	RES CF 100 1/8 J	1	C216	J3515101270X	CC/CHIP 100P 50V J	1
R281	J3003101220X	RES CF 100 1/8 J	1	C217	J3515101270X	CC/CHIP 100P 50V J	1
R291	J3003101220X	RES CF 100 1/8 J	1	C218	J3515101270X	CC/CHIP 100P 50V J	1
R292	J3003101220X	RES CF 100 1/8 J	1	C221	J3515101270X	CC/CHIP 100P 50V J	1
R293	J3003101220X	RES CF 100 1/8 J	1	C222	J3515101270X	CC/CHIP 100P 50V J	1
R294	J3003101220X	RES CF 100 1/8 J	1	C225	J3515472170X	CC/CHIP 4700PF 50V	1
R295	J3003101220X	RES CF 100 1/8 J	1	C226	J3515472170X	CC/CHIP 4700PF 50V	1
R296	J3003101220X	RES CF 100 1/8 J	1	C227	J3515101270X	CC/CHIP 100P 50V J	1
R297	J3003102220X	RES CF 1K 1/8 J	1	C228	J3515101270X	CC/CHIP 100P 50V J	1
R298	J3003102220X	RES CF 1K 1/8 J	1	C229	J3515101270X	CC/CHIP 100P 50V J	1
R299	J3003102220X	RES CF 1K 1/8 J	1	C230	J3515101270X	CC/CHIP 100P 50V J	1
R300	J3003102220X	RES CF 1K 1/8 J	1	C231	J3515101270X	CC/CHIP 100P 50V J	1
R301	J3003102220X	RES CF 1K 1/8 J	1	C233	J3515101270X	CC/CHIP 100P 50V J	1
R302	J3003102220X	RES CF 1K 1/8 J	1	C234	J3515101270X	CC/CHIP 100P 50V J	1
R304	J3003101220X	RES CF 100 1/8 J	1	C235	J3515101270X	CC/CHIP 100P 50V J	1
R307	J3003101220X	RES CF 100 1/8 J	1	C236	J3515101270X	CC/CHIP 100P 50V J	1
R309	J3003101220X	RES CF 100 1/8 J	1	C241	J3525104570X	CC/CHIP .1U 50V 8	1
R311	J3003101220X	RES CF 100 1/8 J	1	C257	J3515472170X	CC/CHIP 4700PF 50V	1
R314	J3003101220X	RES CF 100 1/8 J	1	C258	J3515472170X	CC/CHIP 4700PF 50V	1
R315	J3003101220X	RES CF 100 1/8 J	1	C261	J3515101270X	CC/CHIP 100P 50V J	1
R320	J3003102220X	RES CF 1K 1/8 J	1	C265	J3515101270X	CC/CHIP 100P 50V J	1
R321	J3003101220X	RES CF 100 1/8 J	1	C266	J3515101270X	CC/CHIP 100P 50V J	1
R323	J3003102220X	RES CF 1K 1/8 J	1	C269	J3515101270X	CC/CHIP 100P 50V J	1
R328	J3003101220X	RES CF 100 1/8 J	1	C270	J3515101270X	CC/CHIP 100P 50V J	1
R329	J3003102220X	RES CF 1K 1/8 J	1	C271	J3525104570X	CC/CHIP .1U 50V 8	1
R330	J3003102220X	RES CF 1K 1/8 J	1	C278	J3515101270X	CC/CHIP 100P 50V J	1
R331	J3003109220X	RES CF 1 OHM 1/8 J	1	C279	J3515101270X	CC/CHIP 100P 50V J	1
R332	J3003223220X	RES CF 22K 1/8 J	1	C283	J3515330270X	CC/CHIP 33P 50V J	1
R333	J3003223220X	RES CF 22K 1/8 J	1	C285	J3515330270X	CC/CHIP 33P 50V J	1
R334	J3003223220X	RES CF 22K 1/8 J	1	C289	J3515330270X	CC/CHIP 33P 50V J	1
R345	J3003101220X	RES CF 100 1/8 J	1	C290	J3515330270X	CC/CHIP 33P 50V J	1
R346	J3003102220X	RES CF 1K 1/8 J	1	C295	J3515330270X	CC/CHIP 33P 50V J	1
R349	J3003330220X	RES CF 33 1/8W J	1	C296	J3515330270X	CC/CHIP 33P 50V J	1
R350	J3003101220X	RES CF 100 1/8 J	1	C301	J3515330270X	CC/CHIP 33P 50V J	1
R351	J3003102220X	RES CF 1K 1/8 J	1	C302	J3515330270X	CC/CHIP 33P 50V J	1
R353	J3003102220X	RES CF 1K 1/8 J	1	C307	J3515330270X	CC/CHIP 33P 50V J	1
R355	J3003102220X	RES CF 1K 1/8 J	1	C308	J3515330270X	CC/CHIP 33P 50V J	1
R360	J3003109220X	RES CF 1 OHM 1/8 J	1	C312	J3515330270X	CC/CHIP 33P 50V J	1
R370	J3003220220X	RES CF 22 1/8 J	1	C313	J3515330270X	CC/CHIP 33P 50V J	1
R372	J3003220220X	RES CF 22 1/8 J	1	C322	J3515101270X	CC/CHIP 100P 50V J	1
R383	J3003101220X	RES CF 100 1/8 J	1	C323	J3515101270X	CC/CHIP 100P 50V J	1
R384	J3003101220X	RES CF 100 1/8 J	1	C324	J3515101270X	CC/CHIP 100P 50V J	1
R385	J3003330220X	RES CF 33 1/8W J	1	C325	J3515101270X	CC/CHIP 100P 50V J	1
R388	J3003223220X	RES CF 22K 1/8 J	1	C326	J3515101270X	CC/CHIP 100P 50V J	1
R389	J3003220220X	RES CF 22 1/8 J	1	C327	J3515101270X	CC/CHIP 100P 50V J	1
R390	J3003220220X	RES CF 22 1/8 J	1	C329	J3515330270X	CC/CHIP 33P 50V J	1
R402	J3003102220X	RES CF 1K 1/8 J	1	C330	J3515101270X	CC/CHIP 100P 50V J	1
R425	J3003102220X	RES CF 1K 1/8 J	1	C331	J3525104570X	CC/CHIP .1U 50V 8	1
R426	J3003223220X	RES CF 22K 1/8 J	1	C332	J3515101270X	CC/CHIP 100P 50V J	1
R427	J3003223220X	RES CF 22K 1/8 J	1	C335	J3515330270X	CC/CHIP 33P 50V J	1
R433	J3003101220X	RES CF 100 1/8 J	1	C340	J3515101270X	CC/CHIP 100P 50V J	1
R439	J3003101220X	RES CF 100 1/8 J	1	C341	J3515101270X	CC/CHIP 100P 50V J	1
R449	J3003101220X	RES CF 100 1/8 J	1	C342	J3515101270X	CC/CHIP 100P 50V J	1

C345	J3515101270X	CC/CHIP 100P 50V J	1	R205	J3024471120X	RES CHIP 470 1/10W	1
C346	J3515101270X	CC/CHIP 100P 50V J	1	R206	J3024104120X	RES CHIP 100K 1/10	1
C347	J3515101270X	CC/CHIP 100P 50V J	1	R207	J3024471120X	RES CHIP 470 1/10W	1
C353	J3525104570X	CC/CHIP .1U 50V 8	1	R208	J3024104120X	RES CHIP 100K 1/10	1
C354	J3515101270X	CC/CHIP 100P 50V J	1	R209	J3024471120X	RES CHIP 470 1/10W	1
C355	J3515101270X	CC/CHIP 100P 50V J	1	R210	J3024104120X	RES CHIP 100K 1/10	1
C356	J3515101270X	CC/CHIP 100P 50V J	1	R211	J3024471120X	RES CHIP 470 1/10W	1
C357	J3515101270X	CC/CHIP 100P 50V J	1	R212	J3024104120X	RES CHIP 100K 1/10	1
C358	J3515101270X	CC/CHIP 100P 50V J	1	R213	J3024471120X	RES CHIP 470 1/10W	1
C359	J3515101270X	CC/CHIP 100P 50V J	1	R214	J3024104120X	RES CHIP 100K 1/10	1
C360	J3525104570X	CC/CHIP .1U 50V 8	1	R215	J3024471120X	RES CHIP 470 1/10W	1
C361	J3525104570X	CC/CHIP .1U 50V 8	1	R216	J3024104120X	RES CHIP 100K 1/10	1
D201	J2242010101X	DIODE CHIP KDS184	1	R217	J3024104120X	RES CHIP 100K 1/10	1
D202	J2242010101X	DIODE CHIP KDS184	1	R218	J3024561120X	RES CHIP 560 1/10W	1
IC207	J2110012001X	IC OP-AMP NJM4558M	1	R219	J3024104120X	RES CHIP 100K 1/10	1
IC208	J2110012003X	IC OP AMP NJM5532M	1	R220	J3024104120X	RES CHIP 100K 1/10	1
IC209	J2110012001X	IC OP-AMP NJM4558M	1	R221	J3024104120X	RES CHIP 100K 1/10	1
IC211	J2110012004X	IC OPAMP NJM2068	1	R224	J3024561120X	RES CHIP 560 1/10W	1
IC212	J2110012004X	IC OPAMP NJM2068	1	R225	J3024471120X	RES CHIP 470 1/10W	1
IC213	J2110012001X	IC OP-AMP NJM4558M	1	R226	J3024104120X	RES CHIP 100K 1/10	1
IC214	J2110012001X	IC OP-AMP NJM4558M	1	R227	J3024471120X	RES CHIP 470 1/10W	1
IC220	J2110012004X	IC OPAMP NJM2068	1	R228	J3024104120X	RES CHIP 100K 1/10	1
J237	J3024000120X	RES 0 OHM 1/10W J	1	R229	J3024471120X	RES CHIP 470 1/10W	1
J371	J3024000120X	RES 0 OHM 1/10W J	1	R230	J3024104120X	RES CHIP 100K 1/10	1
J372	J3024000120X	RES 0 OHM 1/10W J	1	R231	J3024471120X	RES CHIP 470 1/10W	1
J373	J3024000120X	RES 0 OHM 1/10W J	1	R232	J3024104120X	RES CHIP 100K 1/10	1
J374	J3024000120X	RES 0 OHM 1/10W J	1	R233	J3024561120X	RES CHIP 560 1/10W	1
J375	J3024000120X	RES 0 OHM 1/10W J	1	R234	J3024104120X	RES CHIP 100K 1/10	1
J376	J3024000120X	RES 0 OHM 1/10W J	1	R235	J3024561120X	RES CHIP 560 1/10W	1
J377	J3024000120X	RES 0 OHM 1/10W J	1	R236	J3024104120X	RES CHIP 100K 1/10	1
J378	J3024000120X	RES 0 OHM 1/10W J	1	R237	J3024104120X	RES CHIP 100K 1/10	1
J379	J3024000120X	RES 0 OHM 1/10W J	1	R238	J3024104120X	RES CHIP 100K 1/10	1
J381	J3024000120X	RES 0 OHM 1/10W J	1	R239	J3024101120X	RES CHIP 100 1/10W	1
J382	J3024000120X	RES 0 OHM 1/10W J	1	R241	J3024101120X	RES CHIP 100 1/10W	1
J383	J3024000120X	RES 0 OHM 1/10W J	1	R243	J3024473120X	RES CHIP 47K 1/10W	1
J384	J3024000120X	RES 0 OHM 1/10W J	1	R244	J3024473120X	RES CHIP 47K 1/10W	1
J385	J3024000120X	RES 0 OHM 1/10W J	1	R245	J3024104120X	RES CHIP 100K 1/10	1
J386	J3024000120X	RES 0 OHM 1/10W J	1	R246	J3024104120X	RES CHIP 100K 1/10	1
J387	J3024000120X	RES 0 OHM 1/10W J	1	R249	J3024473120X	RES CHIP 47K 1/10W	1
J388	J3024000120X	RES 0 OHM 1/10W J	1	R250	J3024473120X	RES CHIP 47K 1/10W	1
J389	J3024000120X	RES 0 OHM 1/10W J	1	R251	J3024104120X	RES CHIP 100K 1/10	1
J390	J3024000120X	RES 0 OHM 1/10W J	1	R252	J3024104120X	RES CHIP 100K 1/10	1
J391	J3024000120X	RES 0 OHM 1/10W J	1	R255	J3024561120X	RES CHIP 560 1/10W	1
J392	J3024000120X	RES 0 OHM 1/10W J	1	R256	J3024104120X	RES CHIP 100K 1/10	1
J393	J3024000120X	RES 0 OHM 1/10W J	1	R257	J3024561120X	RES CHIP 560 1/10W	1
J394	J3024000120X	RES 0 OHM 1/10W J	1	R258	J3024104120X	RES CHIP 100K 1/10	1
J395	J3024000120X	RES 0 OHM 1/10W J	1	R259	J3024104120X	RES CHIP 100K 1/10	1
J396	J3024000120X	RES 0 OHM 1/10W J	1	R260	J3024104120X	RES CHIP 100K 1/10	1
J397	J3024000120X	RES 0 OHM 1/10W J	1	R263	J3024104120X	RES CHIP 100K 1/10	1
J398	J3024000120X	RES 0 OHM 1/10W J	1	R264	J3024102120X	RES CHIP 1K 1/10W	1
J399	J3024000120X	RES 0 OHM 1/10W J	1	R266	J3024123120X	RES CHIP 12K 1/10W	1
J400	J3024000120X	RES 0 OHM 1/10W J	1	R267	J3024472120X	RES CHIP 4K7 1/10W	1
J401	J3024000120X	RES 0 OHM 1/10W J	1	R268	J3024102120X	RES CHIP 1K 1/10W	1
J402	J3024000120X	RES 0 OHM 1/10W J	1	R269	J3024102120X	RES CHIP 1K 1/10W	1
J404	J3024000120X	RES 0 OHM 1/10W J	1	R270	J3024102120X	RES CHIP 1K 1/10W	1
J405	J3024000120X	RES 0 OHM 1/10W J	1	R271	J3024102120X	RES CHIP 1K 1/10W	1
J407	J3024000120X	RES 0 OHM 1/10W J	1	R272	J3024102120X	RES CHIP 1K 1/10W	1
J409	J3024000120X	RES 0 OHM 1/10W J	1	R273	J3024102120X	RES CHIP 1K 1/10W	1
J411	J3024000120X	RES 0 OHM 1/10W J	1	R274	J3024102120X	RES CHIP 1K 1/10W	1
J412	J3024000120X	RES 0 OHM 1/10W J	1	R275	J3024102120X	RES CHIP 1K 1/10W	1
J413	J3024000120X	RES 0 OHM 1/10W J	1	R276	J3024102120X	RES CHIP 1K 1/10W	1
J414	J3024000120X	RES 0 OHM 1/10W J	1	R282	J3024203120X	RES CHIP 20K 1/10W	1
J416	J3024000120X	RES 0 OHM 1/10W J	1	R283	J3024123120X	RES CHIP 12K 1/10W	1
J417	J3024000120X	RES 0 OHM 1/10W J	1	R284	J3024203120X	RES CHIP 20K 1/10W	1
J418	J3024000120X	RES 0 OHM 1/10W J	1	R285	J3024123120X	RES CHIP 12K 1/10W	1
R201	J3024471120X	RES CHIP 470 1/10W	1	R286	J3024332120X	RES CHIP 3K3 1/10W	1
R202	J3024104120X	RES CHIP 100K 1/10	1	R287	J3024332120X	RES CHIP 3K3 1/10W	1
R203	J3024471120X	RES CHIP 470 1/10W	1	R288	J3024123120X	RES CHIP 12K 1/10W	1
R204	J3024104120X	RES CHIP 100K 1/10	1	R289	J3024332120X	RES CHIP 3K3 1/10W	1





C606	J3470147121X	CE SG 470U 10V M	1	CF606	J3525104570X	CC/CHIP .1U 50V 8	1
C613	J3470110031X	CE 10UF 16V	1	CF608	J3515101270X	CC/CHIP 100P 50V J	1
C614	J3470110031X	CE 10UF 16V	1	CF610	J3515101270X	CC/CHIP 100P 50V J	1
C615	J3470147121X	CE SG 470U 10V M	1	CF613	J3525104570X	CC/CHIP .1U 50V 8	1
C616	J3470110031X	CE 10UF 16V	1	CF615	J3515101270X	CC/CHIP 100P 50V J	1
C617	J3470110031X	CE 10UF 16V	1	C608	J3515101270X	CC/CHIP 100P 50V J	1
C618	J3470147121X	CE SG 470U 10V M	1	C609	J3515101270X	CC/CHIP 100P 50V J	1
C621	J3470110031X	CE 10UF 16V	1	C611	J3515101270X	CC/CHIP 100P 50V J	1
C622	J3470110031X	CE 10UF 16V	1	C612	J3515101270X	CC/CHIP 100P 50V J	1
C624	J3470110031X	CE 10UF 16V	1	C619	J3515101270X	CC/CHIP 100P 50V J	1
C625	J3470110031X	CE 10UF 16V	1	C620	J3515101270X	CC/CHIP 100P 50V J	1
C626	J3470147121X	CE SG 470U 10V M	1	C629	J3525103170X	CC/CHIP .01U 50V K	1
C627	J3470110031X	CE 10UF 16V	1	C632	J3525103170X	CC/CHIP .01U 50V K	1
C628	J3470147121X	CE SG 470U 10V M	1	C640	J3515101270X	CC/CHIP 100P 50V J	1
C630	J3470122971X	CE SG 2U2 50V M	1	C641	J3515101270X	CC/CHIP 100P 50V J	1
C631	J3470110071X	CE SG 10U 50V M	1	C642	J3515101270X	CC/CHIP 100P 50V J	1
C633	J3470110121X	CE SG 100U 10V M	1	C645	J3525104570X	CC/CHIP .1U 50V 8	1
C634	J3470147121X	CE SG 470U 10V M	1	C646	J3515102170X	CC/CHIP 1000P 50V	1
C635	J3470122971X	CE SG 2U2 50V M	1	C657	J3525104570X	CC/CHIP .1U 50V 8	1
C636	J3470147031X	CE SG 47U 16V M	1	C659	J3515101270X	CC/CHIP 100P 50V J	1
C637	J3470110121X	CE SG 100U 10V M	1	C670	J3515101270X	CC/CHIP 100P 50V J	1
C639	J3470110971X	CE SG 1U 50V M	1	C673	J3525103170X	CC/CHIP .01U 50V K	1
C647	J3470147121X	CE SG 470U 10V M	1	C674	J3515470270X	CC/CHIP 47P 50V	1
C650	J3470147121X	CE SG 470U 10V M	1	C676	J3515330270X	CC/CHIP 33P 50V J	1
C651	J3470147121X	CE SG 470U 10V M	1	C681	J3515101270X	CC/CHIP 100P 50V J	1
C652	J3470147121X	CE SG 470U 10V M	1	C686	J3525103170X	CC/CHIP .01U 50V K	1
C653	J3470147121X	CE SG 470U 10V M	1	C688	J3515222170X	CC/CHIP 2200P 50V	1
C660	J3470147121X	CE SG 470U 10V M	1	C690	J3515102170X	CC/CHIP 1000P 50V	1
C661	J3470147121X	CE SG 470U 10V M	1	C696	J3515101270X	CC/CHIP 100P 50V J	1
C662	J3470147121X	CE SG 470U 10V M	1	C697	J3525104570X	CC/CHIP .1U 50V 8	1
C663	J3470147121X	CE SG 470U 10V M	1	C754	J3525104570X	CC/CHIP .1U 50V 8	1
C664	J3470147121X	CE SG 470U 10V M	1	C755	J3525104570X	CC/CHIP .1U 50V 8	1
C665	J3470147121X	CE SG 470U 10V M	1	C756	J3525104540X	CC/CHIP 0.1U 25V Z	1
C666	J3470147121X	CE SG 470U 10V M	1	C757	J3525104540X	CC/CHIP 0.1U 25V Z	1
C667	J3470147121X	CE SG 470U 10V M	1	D601	J2244010104X	DIODE CHIP 1SS355	1
C671	J3470133871X	CE SG 0.33UF 50V	1	D602	J2244010104X	DIODE CHIP 1SS355	1
C672	J3470110121X	CE SG 100U 10V M	1	D603	J2244010104X	DIODE CHIP 1SS355	1
C675	J3470110971X	CE SG 1U 50V M	1	D604	J2244010104X	DIODE CHIP 1SS355	1
C678	J3513180270X	CC/DISC 18P 50V J	1	D605	J2244010104X	DIODE CHIP 1SS355	1
C679	J3470110061X	CE SG 10UF 35V	1	D606	J2244010104X	DIODE CHIP 1SS355	1
C680	J3470147031X	CE SG 47U 16V M	1	D607	J2244010104X	DIODE CHIP 1SS355	1
C682	J3470110121X	CE SG 100U 10V M	1	D608	J2244010104X	DIODE CHIP 1SS355	1
C684	J3513220270X	CAP CH 22PF 50V J	1	D609	J2244010104X	DIODE CHIP 1SS355	1
C685	J3470110121X	CE SG 100U 10V M	1	D613	J2244010104X	DIODE CHIP 1SS355	1
C687	J3470110121X	CE SG 100U 10V M	1	D614	J2244010104X	DIODE CHIP 1SS355	1
C691	J3470110971X	CE SG 1U 50V M	1	D615	J2244010104X	DIODE CHIP 1SS355	1
C698	J3470147031X	CE SG 47U 16V M	1	D616	J2244010104X	DIODE CHIP 1SS355	1
C699	J3470147031X	CE SG 47U 16V M	1	D639	J2244010104X	DIODE CHIP 1SS355	1
C983	J3513220270X	CAP CH 22PF 50V J	1	D640	J2244010104X	DIODE CHIP 1SS355	1
Q602	J2021021101X	TR NPN KTC2878	1	IC601	J2116012001X	IC VIDEO NJM2296	1
Q603	J2021021101X	TR NPN KTC2878	1	IC602	J2116012001X	IC VIDEO NJM2296	1
Q604	J2021021101X	TR NPN KTC2878	1	IC603	J2116012001X	IC VIDEO NJM2296	1
Q605	J2021000102X	TR PNP 2SA933S	1	IC604	J2116012001X	IC VIDEO NJM2296	1
Q609	J2021021101X	TR NPN KTC2878	1	IC605	J2116012001X	IC VIDEO NJM2296	1
Q610	J2021060001X	TR NPN KTD1302 B	1	IC606	J2141004002X	IC BU4094 SOP16	1
Q613	J2021021101X	TR NPN KTC2878	1	IC607	J2116012001X	IC VIDEO NJM2296	1
Q614	J2021220002X	TR NPN 2SC1740S	1	IC608	J2141004003X	IC BU4053	1
Q615	J2021220002X	TR NPN 2SC1740S	1	IC619	J2141004002X	IC BU4094 SOP16	1
Q616	J2021021101X	TR NPN KTC2878	1	J001	J3024000120X	RES 0 OHM 1/10W J	1
Q618	J2021200501X	TR PNP KRA107M	1	J005	J3024000120X	RES 0 OHM 1/10W J	1
Q619	J2021220002X	TR NPN 2SC1740S	1	J008	J3024000120X	RES 0 OHM 1/10W J	1
Q620	J2021000102X	TR PNP 2SA933S	1	J057	J3024000120X	RES 0 OHM 1/10W J	1
Q623	J2021200501X	TR PNP KRA107M	1	J062	J3024000120X	RES 0 OHM 1/10W J	1
SW718	J46500500002	SW TACT	1	J066	J3024000120X	RES 0 OHM 1/10W J	1
CC602	J3525104570X	CC/CHIP .1U 50V 8	1	J071	J3024000120X	RES 0 OHM 1/10W J	1
CC604	J3525104570X	CC/CHIP .1U 50V 8	1	J077	J3024000120X	RES 0 OHM 1/10W J	1
CC607	J3525104570X	CC/CHIP .1U 50V 8	1	J078	J3024000120X	RES 0 OHM 1/10W J	1
CC609	J3525104570X	CC/CHIP .1U 50V 8	1	J105	J3024000120X	RES 0 OHM 1/10W J	1
CF603	J3525104570X	CC/CHIP .1U 50V 8	1	J110	J3024000120X	RES 0 OHM 1/10W J	1

J111	J3024000120X	RES 0 OHM 1/10W J	1	R624	J3024103120X	RES CHIP 10K 1/10W	1
J133	J3024000120X	RES 0 OHM 1/10W J	1	R625	J3024103120X	RES CHIP 10K 1/10W	1
J146	J3024000120X	RES 0 OHM 1/10W J	1	R626	J3024103120X	RES CHIP 10K 1/10W	1
J147	J3024000120X	RES 0 OHM 1/10W J	1	R627	J3024103120X	RES CHIP 10K 1/10W	1
J149	J3024000120X	RES 0 OHM 1/10W J	1	R628	J3024103120X	RES CHIP 10K 1/10W	1
J150	J3024000120X	RES 0 OHM 1/10W J	1	R629	J3024103120X	RES CHIP 10K 1/10W	1
J159	J3024000120X	RES 0 OHM 1/10W J	1	R632	J3024750120X	RES CHIP 75 1/10W	1
J174	J3024000120X	RES 0 OHM 1/10W J	1	R633	J3024750120X	RES CHIP 75 1/10W	1
J177	J3024000120X	RES 0 OHM 1/10W J	1	R634	J3024104120X	RES CHIP 100K 1/10	1
J178	J3024000120X	RES 0 OHM 1/10W J	1	R635	J3024102120X	RES CHIP 1K 1/10W	1
J179	J3024000120X	RES 0 OHM 1/10W J	1	R636	J3024102120X	RES CHIP 1K 1/10W	1
J180	J3024000120X	RES 0 OHM 1/10W J	1	R637	J3024102120X	RES CHIP 1K 1/10W	1
J186	J3024000120X	RES 0 OHM 1/10W J	1	R638	J3024333120X	RES CHIP 33K 1/10W	1
J189	J3024000120X	RES 0 OHM 1/10W J	1	R639	J3024680120X	R-CHIP 68 1/10W J	1
J198	J3024000120X	RES 0 OHM 1/10W J	1	R640	J3024222120X	RES CHIP 2K2 1/10W	1
J203	J3024000120X	RES 0 OHM 1/10W J	1	R641	J3024104120X	RES CHIP 100K 1/10	1
J205	J3024000120X	RES 0 OHM 1/10W J	1	R642	J3024102120X	RES CHIP 1K 1/10W	1
J209	J3024000120X	RES 0 OHM 1/10W J	1	R643	J3024103120X	RES CHIP 10K 1/10W	1
Q601	J2041220102X	TR NPN DTC114YKA	1	R644	J3024102120X	RES CHIP 1K 1/10W	1
Q606	J2041200102X	TR PNP DTA114YKA	1	R645	J3024102120X	RES CHIP 1K 1/10W	1
Q607	J2041220102X	TR NPN DTC114YKA	1	R646	J3024471120X	RES CHIP 470 1/10W	1
Q608	J2041200102X	TR PNP DTA114YKA	1	R647	J3024471120X	RES CHIP 470 1/10W	1
Q611	J2041220102X	TR NPN DTC114YKA	1	R648	J3024561120X	RES CHIP 560 1/10W	1
Q612	J2041220102X	TR NPN DTC114YKA	1	R649	J3024221120X	R-CHIP 220 2012J	1
Q729	J2041220102X	TR NPN DTC114YKA	1	R650	J3024563120X	RES CHIP 56K 1/10W	1
RC601	J3024100120X	R-CHIP 10 2012J	1	R651	J3024102120X	RES CHIP 1K 1/10W	1
RC602	J3024820120X	RES CHIP 82OHM	1	R652	J3024680120X	R-CHIP 68 1/10W J	1
RC603	J3024100120X	R-CHIP 10 2012J	1	R653	J3024103120X	RES CHIP 10K 1/10W	1
RC604	J3024820120X	RES CHIP 82OHM	1	R654	J3024271120X	R-CHIP 270 1/10W J	1
RC606	J3024750120X	RES CHIP 75 1/10W	1	R655	J3024470120X	RES CHIP 47 1/10W	1
RC607	J3024820120X	RES CHIP 82OHM	1	R656	J3024473120X	RES CHIP 47K 1/10W	1
RC608	J3024100120X	R-CHIP 10 2012J	1	R658	J3024471120X	RES CHIP 470 1/10W	1
RC609	J3024100120X	R-CHIP 10 2012J	1	R669	J3024473120X	RES CHIP 47K 1/10W	1
RC610	J3024820120X	RES CHIP 82OHM	1	R670	J3024470120X	RES CHIP 47 1/10W	1
RC612	J3024750120X	RES CHIP 75 1/10W	1	R674	J3024102120X	RES CHIP 1K 1/10W	1
RC614	J3024750120X	RES CHIP 75 1/10W	1	R676	J3024000120X	RES 0 OHM 1/10W J	1
RF601	J3024181120X	RES CHIP 180 1/10W	1	R677	J3024102120X	RES CHIP 1K 1/10W	1
RF602	J3024100120X	R-CHIP 10 2012J	1	R678	J3024392120X	RES CHIP 3K9 1/10W	1
RF603	J3024181120X	RES CHIP 180 1/10W	1	R679	J3024102120X	RES CHIP 1K 1/10W	1
RF604	J3024100120X	R-CHIP 10 2012J	1	R680	J3024682120X	RES CHIP 6K8 1/10W	1
RF605	J3024000120X	RES 0 OHM 1/10W J	1	R681	J3024222120X	RES CHIP 2K2 1/10W	1
RF606	J3024103120X	RES CHIP 10K 1/10W	1	R682	J3024103120X	RES CHIP 10K 1/10W	1
RF607	J3024000120X	RES 0 OHM 1/10W J	1	R683	J3024822120X	R-CHIP 8K2 1/10W J	1
RF608	J3024103120X	RES CHIP 10K 1/10W	1	R684	J3024683120X	RES CHIP 68K 1/10W	1
RF609	J3024000120X	RES 0 OHM 1/10W J	1	R685	J3024101120X	RES CHIP 100 1/10W	1
RF610	J3024103120X	RES CHIP 10K 1/10W	1	R686	J3024124120X	RES CHIP 120K 1/10	1
RF611	J3024181120X	RES CHIP 180 1/10W	1	R687	J3024154120X	RES CHIP 150K 1/10	1
RF612	J3024100120X	R-CHIP 10 2012J	1	R688	J3024105120X	RES CHIP 1M 1/10WJ	1
RS602	J3024820120X	RES CHIP 82OHM	1	R690	J3024680120X	R-CHIP 68 1/10W J	1
RS603	J3024820120X	RES CHIP 82OHM	1	R691	J3024752120X	R-CHIP 7K5 1/10W J	1
RS605	J3024820120X	RES CHIP 82OHM	1	R692	J3024332120X	RES CHIP 3K3 1/10W	1
RS606	J3024820120X	RES CHIP 82OHM	1	R693	J3024471120X	RES CHIP 470 1/10W	1
RS608	J3024820120X	RES CHIP 82OHM	1	R694	J3024105120X	RES CHIP 1M 1/10WJ	1
RS609	J3024820120X	RES CHIP 82OHM	1	R695	J3024331120X	CHIP 680 1/10W	1
RS611	J3024820120X	RES CHIP 82OHM	1	R696	J3024474120X	RES CHIP 470K 1/10 PC	1
RS612	J3024820120X	RES CHIP 82OHM	1	R697	J3024474120X	RES CHIP 470K 1/10 PC	1
RS620	J3024820120X	RES CHIP 82OHM	1	R698	J3024103120X	RES CHIP 10K 1/10W PC	1
RS621	J3024820120X	RES CHIP 82OHM	1	R699	J3024123120X	RES CHIP 12K 1/10W PC	1
RS622	J3024750120X	RES CHIP 75 1/10W	1	R831	J3024181120X	RES CHIP 180 1/10W PC	1
RS623	J3024750120X	RES CHIP 75 1/10W	1	R832	J3024181120X	RES CHIP 180 1/10W PC	1
R615	J3024123120X	RES CHIP 12K 1/10W	1	R833	J3024681120X	RES CHIP 680 1/10W PC	1
R616	J3024102120X	RES CHIP 1K 1/10W	1	R834	J3024681120X	RES CHIP 680 1/10W PC	1
R617	J3024102120X	RES CHIP 1K 1/10W	1	C001	J3471610031X	CE 10UF 16V M	1
R618	J3024102120X	RES CHIP 1K 1/10W	1	C005	J3471610031X	CE 10UF 16V M	1
R619	J3024102120X	RES CHIP 1K 1/10W	1	C009	J3471610031X	CE 10UF 16V M	1
R620	J3024102120X	RES CHIP 1K 1/10W	1	C014	J3471610031X	CE 10UF 16V M	1
R621	J3024103120X	RES CHIP 10K 1/10W	1				
R622	J3024103120X	RES CHIP 10K 1/10W	1				
R623	J3024103120X	RES CHIP 10K 1/10W	1				



C028	J3525472170X	CC/CHIP 4700PF 50V	1	C114	J3525104570X	CC/CHIP .1U 50V 8	1
C029	J3525472170X	CC/CHIP 4700PF 50V	1	C115	J3525472170X	CC/CHIP 4700PF 50V	1
C030	J3525472170X	CC/CHIP 4700PF 50V	1	C116	J3525104570X	CC/CHIP .1U 50V 8	1
C031	J3525472170X	CC/CHIP 4700PF 50V	1	C118	J3525472170X	CC/CHIP 4700PF 50V	1
C032	J3525222170X	CC CHIP 2200P 50V	1	C119	J3525472170X	CC/CHIP 4700PF 50V	1
C033	J3525104570X	CC/CHIP .1U 50V 8	1	C120	J3525104570X	CC/CHIP .1U 50V 8	1
C036	J3525472170X	CC/CHIP 4700PF 50V	1	C121	J3525472170X	CC/CHIP 4700PF 50V	1
C037	J3525472170X	CC/CHIP 4700PF 50V	1	C122	J3525472170X	CC/CHIP 4700PF 50V	1
C038	J3525104570X	CC/CHIP .1U 50V 8	1	C123	J3525222170X	CC CHIP 2200P 50V	1
C039	J3525104570X	CC/CHIP .1U 50V 8	1	C125	J3525104570X	CC/CHIP .1U 50V 8	1
C041	J3525472170X	CC/CHIP 4700PF 50V	1	C127	J3525472170X	CC/CHIP 4700PF 50V	1
C042	J3525472170X	CC/CHIP 4700PF 50V	1	C128	J3525472170X	CC/CHIP 4700PF 50V	1
C043	J3525104570X	CC/CHIP .1U 50V 8	1	C129	J3525104570X	CC/CHIP .1U 50V 8	1
C045	J3525472170X	CC/CHIP 4700PF 50V	1	C131	J3525472170X	CC/CHIP 4700PF 50V	1
C046	J3525472170X	CC/CHIP 4700PF 50V	1	C132	J3525472170X	CC/CHIP 4700PF 50V	1
C047	J3525104570X	CC/CHIP .1U 50V 8	1	C133	J3525104570X	CC/CHIP .1U 50V 8	1
C048	J3525472170X	CC/CHIP 4700PF 50V	1	C134	J3525472170X	CC/CHIP 4700PF 50V	1
C049	J3525472170X	CC/CHIP 4700PF 50V	1	C135	J3525472170X	CC/CHIP 4700PF 50V	1
C050	J3525474570X	CC CHIP 0.47U 50V	1	C136	J3525222170X	CC CHIP 2200P 50V	1
C052	J3525104570X	CC/CHIP .1U 50V 8	1	C138	J3525104570X	CC/CHIP .1U 50V 8	1
C054	J3525472170X	CC/CHIP 4700PF 50V	1	C142	J3525104570X	CC/CHIP .1U 50V 8	1
C055	J3525104570X	CC/CHIP .1U 50V 8	1	C144	J3525104570X	CC/CHIP .1U 50V 8	1
C056	J3525104570X	CC/CHIP .1U 50V 8	1	C146	J3525104570X	CC/CHIP .1U 50V 8	1
C058	J3525104570X	CC/CHIP .1U 50V 8	1	C148	J3525104570X	CC/CHIP .1U 50V 8	1
C059	J3525104570X	CC/CHIP .1U 50V 8	1	C149	J3525104570X	CC/CHIP .1U 50V 8	1
C060	J3525104570X	CC/CHIP .1U 50V 8	1	C150	J3515472170X	CC/CHIP 4700PF 50V	1
C061	J3515472170X	CC/CHIP 4700PF 50V	1	C153	J3525104570X	CC/CHIP .1U 50V 8	1
C062	J3525104570X	CC/CHIP .1U 50V 8	1	C154	J3525104570X	CC/CHIP .1U 50V 8	1
C064	J3525104570X	CC/CHIP .1U 50V 8	1	C157	J3525104570X	CC/CHIP .1U 50V 8	1
C066	J3525104570X	CC/CHIP .1U 50V 8	1	C158	J3525104570X	CC/CHIP .1U 50V 8	1
C067	J3525104570X	CC/CHIP .1U 50V 8	1	C160	J3525104570X	CC/CHIP .1U 50V 8	1
C068	J3525104570X	CC/CHIP .1U 50V 8	1	C161	J3525104570X	CC/CHIP .1U 50V 8	1
C069	J3525104570X	CC/CHIP .1U 50V 8	1	C162	J3525104570X	CC/CHIP .1U 50V 8	1
C071	J3525104570X	CC/CHIP .1U 50V 8	1	C163	J3525104570X	CC/CHIP .1U 50V 8	1
C072	J3525104570X	CC/CHIP .1U 50V 8	1	C164	J3525104570X	CC/CHIP .1U 50V 8	1
C074	J3525224570X	C-CHIP 2012F .22U	1	C165	J3525104570X	CC/CHIP .1U 50V 8	1
C075	J3525104570X	CC/CHIP .1U 50V 8	1	C166	J3525104570X	CC/CHIP .1U 50V 8	1
C076	J3525104570X	CC/CHIP .1U 50V 8	1	C168	J3525104570X	CC/CHIP .1U 50V 8	1
C077	J3525104570X	CC/CHIP .1U 50V 8	1	C169	J3525104570X	CC/CHIP .1U 50V 8	1
C078	J3515680270X	CC/CHIP 68P 2012	1	C171	J3525104570X	CC/CHIP .1U 50V 8	1
C079	J3525104570X	CC/CHIP .1U 50V 8	1	C172	J3525104570X	CC/CHIP .1U 50V 8	1
C080	J3525104570X	CC/CHIP .1U 50V 8	1	C173	J3515470270X	CC/CHIP 47P 50V	1
C085	J3525104570X	CC/CHIP .1U 50V 8	1	C174	J3515470270X	CC/CHIP 47P 50V	1
C086	J3525104570X	CC/CHIP .1U 50V 8	1	C176	J3525104570X	CC/CHIP .1U 50V 8	1
C087	J3525104570X	CC/CHIP .1U 50V 8	1	C177	J3525104570X	CC/CHIP .1U 50V 8	1
C088	J3525104570X	CC/CHIP .1U 50V 8	1	C178	J3525104570X	CC/CHIP .1U 50V 8	1
C089	J3525103170X	CC/CHIP .01U 50V K	1	C179	J3525104570X	CC/CHIP .1U 50V 8	1
C090	J3525103170X	CC/CHIP .01U 50V K	1	C180	J3525104570X	CC/CHIP .1U 50V 8	1
C091	J3515470270X	CC/CHIP 47P 50V	1	C182	J3525104570X	CC/CHIP .1U 50V 8	1
C092	J3515470270X	CC/CHIP 47P 50V	1	C183	J3525103170X	CC/CHIP .01U 50V K	1
C093	J3515101270X	CC/CHIP 100P 50V J	1	C184	J3525104570X	CC/CHIP .1U 50V 8	1
C094	J3525104570X	CC/CHIP .1U 50V 8	1	C185	J3515220270X	CC/CHIP 22P 50V	1
C095	J3525104570X	CC/CHIP .1U 50V 8	1	C186	J3515101270X	CC/CHIP 100P 50V J	1
C096	J3525103170X	CC/CHIP .01U 50V K	1	C187	J3525104570X	CC/CHIP .1U 50V 8	1
C097	J3525103170X	CC/CHIP .01U 50V K	1	C188	J3525104570X	CC/CHIP .1U 50V 8	1
C098	J3525104570X	CC/CHIP .1U 50V 8	1	C189	J3515220270X	CC/CHIP 22P 50V	1
C099	J3525104570X	CC/CHIP .1U 50V 8	1	C190	J3525104570X	CC/CHIP .1U 50V 8	1
C100	J3525104570X	CC/CHIP .1U 50V 8	1	C191	J3515220270X	CC/CHIP 22P 50V	1
C101	J3525104570X	CC/CHIP .1U 50V 8	1	C193	J3515470270X	CC/CHIP 47P 50V	1
C102	J3525104570X	CC/CHIP .1U 50V 8	1	C194	J3515470270X	CC/CHIP 47P 50V	1
C105	J3525104570X	CC/CHIP .1U 50V 8	1	C195	J3515101270X	CC/CHIP 100P 50V J	1
C106	J3515150270X	CC/CHIP 15P 50V	1	C196	J3515101270X	CC/CHIP 100P 50V J	1
C107	J3525104570X	CC/CHIP .1U 50V 8	1	C197	J3515100270X	CC CHIP 10PF 50V D	1
C108	J3525683540X	CC CHIP 0.068U 25V	1	C199	J3515101270X	CC/CHIP 100P 50V J	1
C109	J3515470270X	CC/CHIP 47P 50V	1	C200	J3515470270X	CC/CHIP 47P 50V	1
C110	J3515150270X	CC/CHIP 15P 50V	1	C201	J3515220270X	CC/CHIP 22P 50V	1
C111	J3515221270X	CC/CHIP 220P 50V J	1	C202	J3515101270X	CC/CHIP 100P 50V J	1
C112	J3515101270X	CC/CHIP 100P 50V J	1	C208	J3525104570X	CC/CHIP .1U 50V 8	1
C113	J3525104570X	CC/CHIP .1U 50V 8	1	D002	J2242010001X	DIODE CHIP KDS160	1

D003	J2242010001X	DIODE CHIP KDS160	1	R040	J3024331120X	R-CHIP 330 2012J	1
D004	J2242010001X	DIODE CHIP KDS160	1	R041	J3024271120X	R-CHIP 270 1/10W J	1
D005	J2242010001X	DIODE CHIP KDS160	1	R042	J3024102120X	RES CHIP 1K 1/10W	1
D006	J2242010001X	DIODE CHIP KDS160	1	R043	J3024681120X	RES CHIP 680 1/10W	1
D007	J2242010001X	DIODE CHIP KDS160	1	R044	J3024471120X	RES CHIP 470 1/10W	1
D008	J2110012003X	IC OP AMP NJM5532M	1	R045	J3024103120X	RES CHIP 10K 1/10W	1
IC100	J2135326003X	IC DECODER CS49260	1	R046	J3024331120X	R-CHIP 330 2012J	1
IC101	J2131328001X	IC AT27LV020A	1	R047	J3024104120X	RES CHIP 100K 1/10	1
IC102	J2142032005X	IC 74VHC153MX	1	R048	J3024102120X	RES CHIP 1K 1/10W	1
IC103	J2136926001X	IC DIR CS8414-CS	1	R049	J3024331120X	R-CHIP 330 2012J	1
IC104	J2133031002X	IC 96KHZ AK5352	1	R050	J3024102120X	RES CHIP 1K 1/10W	1
IC105	J2133031001X	IC AK4393 AUDIO	1	R051	J3024331120X	R-CHIP 330 2012J	1
IC106	J2133031001X	IC AK4393 AUDIO	1	R052	J3024471120X	RES CHIP 470 1/10W	1
IC107	J2133031001X	IC AK4393 AUDIO	1	R053	J3024681120X	RES CHIP 680 1/10W	1
IC108	J2142032001X	IC F/F 74VHC574MX	1	R054	J3024271120X	R-CHIP 270 1/10W J	1
IC109	J2142032001X	IC F/F 74VHC574MX	1	R055	J3024103120X	RES CHIP 10K 1/10W	1
IC110	J2142032006X	IC 74VHC157MX	1	R056	J3024471120X	RES CHIP 470 1/10W	1
IC111	J2142032002X	IC TC74VHC244MX	1	R057	J3024222120X	RES CHIP 2K2 1/10W	1
IC113	J2129012002X	IC NJU6324M	1	R058	J3024473120X	RES CHIP 47K 1/10W	1
IC114	J2141004002X	IC BU4094 SOP16	1	R059	J3024473120X	RES CHIP 47K 1/10W	1
IC115	J2141004001X	IC BU4051 SOP16	1	R060	J3024473120X	RES CHIP 47K 1/10W	1
IC116	J2110012003X	IC OP AMP NJM5532M	1	R061	J3024101120X	RES CHIP 100 1/10W	1
IC117	J2110012003X	IC OP AMP NJM5532M	1	R062	J3024473120X	RES CHIP 47K 1/10W	1
IC118	J2110012003X	IC OP AMP NJM5532M	1	R063	J3024473120X	RES CHIP 47K 1/10W	1
IC119	J2110012003X	IC OP AMP NJM5532M	1	R064	J3024473120X	RES CHIP 47K 1/10W	1
IC120	J2110012003X	IC OP AMP NJM5532M	1	R065	J3024473120X	RES CHIP 47K 1/10W	1
IC121	J2110012003X	IC OP AMP NJM5532M	1	R066	J3024331120X	R-CHIP 330 2012J	1
IC122	J2110012003X	IC OP AMP NJM5532M	1	R067	J3024331120X	R-CHIP 330 2012J	1
IC123	J2110012003X	IC OP AMP NJM5532M	1	R068	J3024331120X	R-CHIP 330 2012J	1
IC124	J2110012003X	IC OP AMP NJM5532M	1	R069	J3024271120X	R-CHIP 270 1/10W J	1
IC125	J2110012003X	IC OP AMP NJM5532M	1	R070	J3024102120X	RES CHIP 1K 1/10W	1
IC126	J2110012003X	IC OP AMP NJM5532M	1	R071	J3024103120X	RES CHIP 10K 1/10W	1
IC127	J2116007001X	IC 74HCU04M1R HEX	1	R072	J3024103120X	RES CHIP 10K 1/10W	1
J001	J3024000120X	RES 0 OHM 1/10W J	1	R073	J3024103120X	RES CHIP 10K 1/10W	1
J005	J3024000120X	RES 0 OHM 1/10W J	1	R074	J3024103120X	RES CHIP 10K 1/10W	1
J038	J3024000120X	RES 0 OHM 1/10W J	1	R075	J3024103120X	RES CHIP 10K 1/10W	1
J041	J3024000120X	RES 0 OHM 1/10W J	1	R076	J3024103120X	RES CHIP 10K 1/10W	1
J042	J3024000120X	RES 0 OHM 1/10W J	1	R077	J3024103120X	RES CHIP 10K 1/10W	1
R001	J3024103120X	RES CHIP 10K 1/10W	1	R078	J3024103120X	RES CHIP 10K 1/10W	1
R002	J3024331120X	R-CHIP 330 2012J	1	R079	J3024103120X	RES CHIP 10K 1/10W	1
R003	J3024331120X	R-CHIP 330 2012J	1	R080	J3024103120X	RES CHIP 10K 1/10W	1
R004	J3024331120X	R-CHIP 330 2012J	1	R081	J3024222120X	RES CHIP 2K2 1/10W	1
R005	J3024271120X	R-CHIP 270 1/10W J	1	R082	J3024681120X	RES CHIP 680 1/10W	1
R006	J3024102120X	RES CHIP 1K 1/10W	1	R083	J3024103120X	RES CHIP 10K 1/10W	1
R007	J3024681120X	RES CHIP 680 1/10W	1	R084	J3024103120X	RES CHIP 10K 1/10W	1
R008	J3024471120X	RES CHIP 470 1/10W	1	R085	J3024472120X	RES CHIP 4K7 1/10W	1
R009	J3024103120X	RES CHIP 10K 1/10W	1	R086	J3024472120X	RES CHIP 4K7 1/10W	1
R010	J3024331120X	R-CHIP 330 2012J	1	R087	J3024103120X	RES CHIP 10K 1/10W	1
R011	J3024331120X	R-CHIP 330 2012J	1	R088	J3024103120X	RES CHIP 10K 1/10W	1
R012	J3024331120X	R-CHIP 330 2012J	1	R089	J3024472120X	RES CHIP 4K7 1/10W	1
R021	J3024331120X	R-CHIP 330 2012J	1	R090	J3024103120X	RES CHIP 10K 1/10W	1
R022	J3024331120X	R-CHIP 330 2012J	1	R091	J3024103120X	RES CHIP 10K 1/10W	1
R023	J3024271120X	R-CHIP 270 1/10W J	1	R092	J3024203120X	RES CHIP 20K 1/10W	1
R024	J3024102120X	RES CHIP 1K 1/10W	1	R093	J3024103120X	RES CHIP 10K 1/10W	1
R025	J3024681120X	RES CHIP 680 1/10W	1	R094	J3024103120X	RES CHIP 10K 1/10W	1
R026	J3024471120X	RES CHIP 470 1/10W	1	R095	J3024103120X	RES CHIP 10K 1/10W	1
R027	J3024103120X	RES CHIP 10K 1/10W	1	R096	J3024104120X	RES CHIP 100K 1/10	1
R028	J3024331120X	R-CHIP 330 2012J	1	R097	J3024471120X	RES CHIP 470 1/10W	1
R029	J3024104120X	RES CHIP 100K 1/10	1	R098	J3024331120X	R-CHIP 330 2012J	1
R030	J3024331120X	R-CHIP 330 2012J	1	R099	J3024331120X	R-CHIP 330 2012J	1
R031	J3024331120X	R-CHIP 330 2012J	1	R100	J3024102120X	RES CHIP 1K 1/10W	1
R032	J3024102120X	RES CHIP 1K 1/10W	1	R101	J3024331120X	R-CHIP 330 2012J	1
R033	J3024331120X	R-CHIP 330 2012J	1	R102	J3024103120X	RES CHIP 10K 1/10W	1
R034	J3024471120X	RES CHIP 470 1/10W	1	R103	J3024222120X	RES CHIP 2K2 1/10W	1
R035	J3024681120X	RES CHIP 680 1/10W	1	R104	J3024750120X	RES CHIP 75 1/10W	1
R036	J3024271120X	R-CHIP 270 1/10W J	1	R105	J3024750120X	RES CHIP 75 1/10W	1
R037	J3024103120X	RES CHIP 10K 1/10W	1	R106	J3024103120X	RES CHIP 10K 1/10W	1
R038	J3024331120X	R-CHIP 330 2012J	1	R107	J3024103120X	RES CHIP 10K 1/10W	1
R039	J3024331120X	R-CHIP 330 2012J	1	R108	J3024103120X	RES CHIP 10K 1/10W	1

R109	J3024103120X	RES CHIP 10K 1/10W	1
R110	J3024473120X	RES CHIP 47K 1/10W	1
R111	J3024472120X	RES CHIP 4K7 1/10W	1
R115	J3024103120X	RES CHIP 10K 1/10W	1
R116	J3024103120X	RES CHIP 10K 1/10W	1
R117	J3024103120X	RES CHIP 10K 1/10W	1
R118	J3024103120X	RES CHIP 10K 1/10W	1
R119	J3024103120X	RES CHIP 10K 1/10W	1
R120	J3024271120X	R-CHIP 270 1/10W J	1
R121	J3024681120X	RES CHIP 680 1/10W	1
R122	J3024511120X	RES CHIP 510 1/10W	1
R123	J3024104120X	RES CHIP 100K 1/10	1
R124	J3024102120X	RES CHIP 1K 1/10W	1
R125	J3024511120X	RES CHIP 510 1/10W	1
R126	J3024681120X	RES CHIP 680 1/10W	1
R127	J3024103120X	RES CHIP 10K 1/10W	1
R128	J3024331120X	R-CHIP 330 2012J	1
R129	J3024331120X	R-CHIP 330 2012J	1
R130	J3024331120X	R-CHIP 330 2012J	1
R131	J3024271120X	R-CHIP 270 1/10W J	1
R132	J3024102120X	RES CHIP 1K 1/10W	1
R133	J3024103120X	RES CHIP 10K 1/10W	1
R134	J3024331120X	R-CHIP 330 2012J	1
R135	J3024331120X	R-CHIP 330 2012J	1
R136	J3024102120X	RES CHIP 1K 1/10W	1
R137	J3024331120X	R-CHIP 330 2012J	1
R138	J3024271120X	R-CHIP 270 1/10W J	1
R139	J3024681120X	RES CHIP 680 1/10W	1
R140	J3024471120X	RES CHIP 470 1/10W	1
R141	J3024104120X	RES CHIP 100K 1/10	1
R142	J3024102120X	RES CHIP 1K 1/10W	1
R143	J3024471120X	RES CHIP 470 1/10W	1
R144	J3024681120X	RES CHIP 680 1/10W	1
R145	J3024103120X	RES CHIP 10K 1/10W	1
R146	J3024331120X	R-CHIP 330 2012J	1
R147	J3024331120X	R-CHIP 330 2012J	1
R148	J3024331120X	R-CHIP 330 2012J	1
R149	J3024271120X	R-CHIP 270 1/10W J	1
R150	J3024102120X	RES CHIP 1K 1/10W	1
R151	J3024103120X	RES CHIP 10K 1/10W	1
R152	J3024331120X	R-CHIP 330 2012J	1
R153	J3024331120X	R-CHIP 330 2012J	1
R154	J3024102120X	RES CHIP 1K 1/10W	1
R155	J3024331120X	R-CHIP 330 2012J	1
R156	J3024271120X	R-CHIP 270 1/10W J	1
R157	J3024681120X	RES CHIP 680 1/10W	1
R158	J3024471120X	RES CHIP 470 1/10W	1
R159	J3024104120X	RES CHIP 100K 1/10	1
R160	J3024102120X	RES CHIP 1K 1/10W	1
R161	J3024471120X	RES CHIP 470 1/10W	1
R162	J3024681120X	RES CHIP 680 1/10W	1
R163	J3024103120X	RES CHIP 10K 1/10W	1
R164	J3024103120X	RES CHIP 10K 1/10W	1
R165	J3024331120X	R-CHIP 330 2012J	1
R166	J3024331120X	R-CHIP 330 2012J	1
R167	J3024472120X	RES CHIP 4K7 1/10W	1
R168	J3024472120X	RES CHIP 4K7 1/10W	1
R169	J3024203120X	RES CHIP 20K 1/10W	1
R170	J3024103120X	RES CHIP 10K 1/10W	1
R171	J3024103120X	RES CHIP 10K 1/10W	1
R172	J3024103120X	RES CHIP 10K 1/10W	1
R173	J3024331120X	R-CHIP 330 2012J	1
R174	J3024331120X	R-CHIP 330 2012J	1
R175	J3024472120X	RES CHIP 4K7 1/10W	1
R176	J3024472120X	RES CHIP 4K7 1/10W	1
R177	J3024750120X	RES CHIP 75 1/10W	1
R178	J3024101120X	RES CHIP 100 1/10W	1
R179	J3024750120X	RES CHIP 75 1/10W	1
R180	J3024109120X	RES CHIP 1 1/10W	1

R181	J3024109120X	RES CHIP 1 1/10W	1
R182	J3024473120X	RES CHIP 47K 1/10W	1
R183	J3024473120X	RES CHIP 47K 1/10W	1
R184	J3024681120X	RES CHIP 680 1/10W	1
R185	J3024104120X	RES CHIP 100K 1/10	1
R186	J3024681120X	RES CHIP 680 1/10W	1
R187	J3024681120X	RES CHIP 680 1/10W	1

## 2CH AMPBD

'080	J2431400082X	POSISTOR 2P 400MM	1
BR01	J2631200012X	BEAD AXIAL 6MM	1
BR02	J2631200012X	BEAD AXIAL 6MM	1
BR04	J2631200012X	BEAD AXIAL 6MM	1
BR05	J2631200012X	BEAD AXIAL 6MM	1
BSR1	J2631200012X	BEAD AXIAL 6MM	1
BSR2	J2631200012X	BEAD AXIAL 6MM	1
BSR4	J2631200012X	BEAD AXIAL 6MM	1
BSR5	J2631200012X	BEAD AXIAL 6MM	1
CN906	J4370009909X	CNT 2P 350#20 SL	1
CN907	J4370009948X	CNT 2P 800+600#16	1
CN908	J4370009908X	CNT 10P 300MM 2.0	1
CP905	J4420060200X	CONNECTOR	1
CP910	J4420040200X	CNT ST 5267-02A	1
CR914	J3470822191X	CE AHS 220M 100V	1
CR915	J3470822191X	CE AHS 220M 100V	1
CSR91	J3470822191X	CE AHS 220M 100V	1
CSR91	J3470822191X	CE AHS 220M 100V	1
G906	J4200020000X	GND PLATE	1
LR901	J1451000030X	COIL-AF CHOKE .7UH	1
LSR90	J1451000030X	COIL-AF CHOKE .7UH	1
MPR90	J3076278421X	RES MPR 0.27 5W J	1
MPR90	J3076278421X	RES MPR 0.27 5W J	1
MPR90	J3076278421X	RES MPR 0.27 5W J	1
MPR90	J3076278421X	RES MPR 0.27 5W J	1
QR908	J2021500103X	TR PNP 2SA1360Y	1
QR909	J2021500103X	TR PNP 2SA1360Y	1
QR910	J2021520103X	TR NPN 2SC3423Y	1
QR911	J2021520103X	TR NPN 2SC3423Y	1
QR913	J2021520202X	TR NPN 2SC4137V	1
QR914	J2021520103X	TR NPN 2SC3423Y	1
QR915	J2021500102X	TR PNP 2SA1859A	1
QR916	J2021500103X	TR PNP 2SA1360Y	1
QR917	J2021520302X	TR NPN 2SC4883A	1
QR918	J2002520003X	TR NPN C5200 O(AC)	1
QR919	J2002520003X	TR NPN C5200 O(AC)	1
QR921	J2002500003X	TR PNP A1943 O(AC)	1
QR922	J2002500003X	TR PNP A1943 O(AC)	1
QSR90	J2021500103X	TR PNP 2SA1360Y	1
QSR90	J2021500103X	TR PNP 2SA1360Y	1
QSR91	J2021520103X	TR NPN 2SC3423Y	1
QSR91	J2021520103X	TR NPN 2SC3423Y	1
QSR91	J2021520202X	TR NPN 2SC4137V	1
QSR91	J2021520103X	TR NPN 2SC3423Y	1
QSR91	J2021500102X	TR PNP 2SA1859A	1
QSR91	J2021500103X	TR PNP 2SA1360Y	1
QSR91	J2021520302X	TR NPN 2SC4883A	1
QSR91	J2002520003X	TR NPN C5200 O(AC)	1
QSR91	J2002520003X	TR NPN C5200 O(AC)	1
QSR91	J2002520003X	TR NPN C5200 O(AC)	1
QSR92	J2002500003X	TR PNP A1943 O(AC)	1
QSR92	J2002500003X	TR PNP A1943 O(AC)	1
RR927	J3003229520X	RES CF 2R2 1/2 J	1
RR929	J3003229520X	RES CF 2R2 1/2 J	1
RR948	J3003100420X	RES CF 10 1/4W J	1
RSR92	J3003229520X	RES CF 2R2 1/2 J	1
RSR92	J3003229520X	RES CF 2R2 1/2 J	1
VR901	J3211320110X	RES SEMI 200 1/10	1
VSR90	J3211320110X	RES SEMI 200 1/10	1

CR901	J3470810031X	CE AHS 10M 16V	1	Q962	J2021000201X	TR PNP KTA1266 Y	1
CR902	J3514680270X	CC TAP CH 68P 50V	1	Q963	J2021220002X	TR NPN 2SC1740S	1
CR903	J3470110141X	CE SG 100U 25V M	1	Q964	J2021220002X	TR NPN 2SC1740S	1
CR904	J3524821170X	CC 820PF 50V K	1	Q965	J2021220002X	TR NPN 2SC1740S	1
CR905	J3514101270X	CC 100P 50V K	1	RR901	J3003102220X	RES CF 1K 1/8 J	1
CR906	J3514220270X	CC 22PF 50V J	1	RR902	J3003333274X	RES MR 33K 1/8W F	1
CR907	J3470810071X	CE AHS 10M 50V	1	RR903	J3003150220X	RES CF 15 1/8W J	1
CR908	J3470810071X	CE AHS 10M 50V	1	RR904	J3003150220X	RES CF 15 1/8W J	1
CR909	J3640683220X	CMP 0.068U 63V J	1	RR905	J3003152220X	RES CF 1K5 1/8 J	1
CR911	J3470147121X	CE SG 470U 10V M	1	RR906	J3003152220X	RES CF 1K5 1/8 J	1
CR912	J3640104350X	CP MET .1U 250V -M	1	RR907	J3003271220X	RES CF 270 1/8 J	1
CR913	J3640104350X	CP MET .1U 250V -M	1	RR908	J3003101220X	RES CF 100 1/8 J	1
CR920	J3600103330X	CP .01U 100V-K	1	RR909	J3003433220X	RES CF 43K 1/8 J	1
CR921	J3600103330X	CP .01U 100V-K	1	RR910	J3003561220X	RES CF 560 1/8 J	1
CSR90	J3470810031X	CE AHS 10M 16V	1	RR911	J3003561220X	RES CF 560 1/8 J	1
CSR90	J3514680270X	CC TAP CH 68P 50V	1	RR912	J3003561220X	RES CF 560 1/8 J	1
CSR90	J3470110141X	CE SG 100U 25V M	1	RR913	J3003561220X	RES CF 560 1/8 J	1
CSR90	J3524821170X	CC 820PF 50V K	1	RR914	J3003561220X	RES CF 560 1/8 J	1
CSR90	J3514101270X	CC 100P 50V K	1	RR915	J3003561220X	RES CF 560 1/8 J	1
CSR90	J3514220270X	CC 22PF 50V J	1	RR916	J3003151420X	RES CF 150 1/4W J	1
CSR90	J3470810071X	CE AHS 10M 50V	1	RR917	J3003151420X	RES CF 150 1/4W J	1
CSR90	J3470810071X	CE AHS 10M 50V	1	RR918	J3003151420X	RES CF 150 1/4W J	1
CSR90	J3640683220X	CMP 0.068U 63V J PC	1	RR919	J3003151420X	RES CF 150 1/4W J	1
CSR91	J3470147121X	CE SG 470U 10V M	1	RR920	J3003153220X	RES CF 15K 1/8W J	1
CSR91	J3640104350X	CP MET .1U 250V -M	1	RR921	J3003153220X	RES CF 15K 1/8W J	1
CSR91	J3640104350X	CP MET .1U 250V -M	1	RR922	J3003102220X	RES CF 1K 1/8 J	1
CSR92	J3600103330X	CP .01U 100V-K	1	RR923	J3003472220X	RES CF 4K7 1/8 J	1
CSR92	J3600103330X	CP .01U 100V-K	1	RR924	J3003562220X	RES CF 5K6 1/8 J	1
C960	J3470110971X	CE SG 1U 50V M	1	RR925	J3003561220X	RES CF 560 1/8 J	1
C961	J3470122071X	CE SG 22U 50V M	1	RR926	J3003101420X	RES CF 100 1/4 J	1
C962	J3470147121X	CE SG 470U 10V M	1	RR928	J3003101420X	RES CF 100 1/4 J	1
C963	J3470147121X	CE SG 470U 10V M	1	RR930	J3003150420X	RES CF 15 1/4 J	1
DR901	J2221010000X	DIODE SW IN4148	1	RR931	J3003150420X	RES CF 15 1/4 J	1
DR902	J2221010000X	DIODE SW IN4148	1	RR932	J3003820420X	RES CF 82 1/4W J	1
DR903	J2221010104X	DIODE SW 1SS244	1	RR933	J3003100420X	RES CF 10 1/4W J	1
DR904	J2221010104X	DIODE SW 1SS244	1	RR934	J3003100420X	RES CF 10 1/4W J	1
DR905	J2221010000X	DIODE SW IN4148	1	RR936	J3003100420X	RES CF 10 1/4W J	1
DR906	J2221010000X	DIODE SW IN4148	1	RR937	J3003100420X	RES CF 10 1/4W J	1
DSR90	J2221010000X	DIODE SW IN4148	1	RR939	J3003333274X	RES MR 33K 1/8W F	1
DSR90	J2221010000X	DIODE SW IN4148	1	RR940	J3003122274X	RES MR 1K2 1/8W F	1
DSR90	J2221010104X	DIODE SW 1SS244	1	RR941	J3003390220X	RES CF 39 1/8 J	1
DSR90	J2221010104X	DIODE SW 1SS244	1	RR942	J3003390220X	RES CF 39 1/8 J	1
DSR90	J2221010000X	DIODE SW IN4148	1	RR946	J3019390526X	RES 12GS 39 1/2 5%	1
DSR90	J2221010000X	DIODE SW IN4148	1	RR947	J3019390526X	RES 12GS 39 1/2 5%	1
D960	J2221010000X	DIODE SW IN4148	1	RR950	J3003152220X	RES CF 1K5 1/8 J	1
D961	J2221010000X	DIODE SW IN4148	1	RR951	J3003152220X	RES CF 1K5 1/8 J	1
D962	J2221491534X	D-ZENER .5W 9V1 J	1	RR952	J3003153220X	RES CF 15K 1/8W J	1
D963	J2221010000X	DIODE SW IN4148	1	RR953	J3003682220X	RES CF 6K8 1/8 J	1
D964	J2221010000X	DIODE SW IN4148	1	RR954	J3003223220X	RES CF 22K 1/8 J	1
QR901	J2021020701X	TR NPN KTC3200 BL	1	RSR90	J3003102220X	RES CF 1K 1/8 J	1
QR902	J2021020701X	TR NPN KTC3200 BL	1	RSR90	J3003333274X	RES MR 33K 1/8W F	1
QR903	J2021020701X	TR NPN KTC3200 BL	1	RSR90	J3003150220X	RES CF 15 1/8W J	1
QR904	J2021020201X	TR NPN KTC3198 BL	1	RSR90	J3003150220X	RES CF 15 1/8W J	1
QR905	J2021005101X	TR PNP KTA1268 BL	1	RSR90	J3003152220X	RES CF 1K5 1/8 J	1
QR906	J2021005101X	TR PNP KTA1268 BL	1	RSR90	J3003152220X	RES CF 1K5 1/8 J	1
QR907	J2021020701X	TR NPN KTC3200 BL	1	RSR90	J3003271220X	RES CF 270 1/8 J	1
QR912	J2021020701X	TR NPN KTC3200 BL	1	RSR90	J3003101220X	RES CF 100 1/8 J	1
QR924	J2021020701X	TR NPN KTC3200 BL	1	RSR90	J3003433220X	RES CF 43K 1/8 J	1
QSR90	J2021020701X	TR NPN KTC3200 BL	1	RSR91	J3003561220X	RES CF 560 1/8 J	1
QSR90	J2021020701X	TR NPN KTC3200 BL	1	RSR91	J3003561220X	RES CF 560 1/8 J	1
QSR90	J2021020701X	TR NPN KTC3200 BL	1	RSR91	J3003561220X	RES CF 560 1/8 J	1
QSR90	J2021020201X	TR NPN KTC3198 BL	1	RSR91	J3003561220X	RES CF 560 1/8 J	1
QSR90	J2021005101X	TR PNP KTA1268 BL	1	RSR91	J3003561220X	RES CF 560 1/8 J	1
QSR90	J2021005101X	TR PNP KTA1268 BL	1	RSR91	J3003561220X	RES CF 560 1/8 J	1
QSR90	J2021020701X	TR NPN KTC3200 BL	1	RSR91	J3003151420X	RES CF 150 1/4W J	1
QSR90	J2021020701X	TR NPN KTC3200 BL	1	RSR91	J3003151420X	RES CF 150 1/4W J	1
QSR91	J2021020701X	TR NPN KTC3200 BL	1	RSR91	J3003151420X	RES CF 150 1/4W J	1
QSR92	J2021020701X	TR NPN KTC3200 BL	1	RSR91	J3003151420X	RES CF 150 1/4W J	1
Q960	J2021220102X	TR NPN DTC114YSA	1	RSR91	J3003151420X	RES CF 150 1/4W J	1
Q961	J2021000101X	TR PNP KTA1024	1	RSR92	J3003153220X	RES CF 15K 1/8W J	1

RSR92	J3003153220X	RES CF 15K 1/8W J	1	MPR91	J3076278421X	RES MPR 0.27 5W J	1
RSR92	J3003102220X	RES CF 1K 1/8 J	1	QC908	J2021500103X	TR PNP 2SA1360Y	1
RSR92	J3003472220X	RES CF 4K7 1/8 J	1	QC909	J2021500103X	TR PNP 2SA1360Y	1
RSR92	J3003562220X	RES CF 5K6 1/8 J	1	QC910	J2021520103X	TR NPN 2SC3423Y	1
RSR92	J3003561220X	RES CF 560 1/8 J	1	QC911	J2021520103X	TR NPN 2SC3423Y	1
RSR92	J3003101420X	RES CF 100 1/4 J	1	QC913	J2021520202X	TR NPN 2SC4137V	1
RSR92	J3003101420X	RES CF 100 1/4 J	1	QC914	J2021520103X	TR NPN 2SC3423Y	1
RSR93	J3003150420X	RES CF 15 1/4 J	1	QC915	J2021500102X	TR PNP 2SA1859A	1
RSR93	J3003150420X	RES CF 15 1/4 J	1	QC916	J2021500103X	TR PNP 2SA1360Y	1
RSR93	J3003820420X	RES CF 82 1/4W J	1	QC917	J2021520302X	TR NPN 2SC4883A	1
RSR93	J3003100420X	RES CF 10 1/4W J	1	QC918	J2002520003X	TR NPN C5200 O(AC)	1
RSR93	J3003100420X	RES CF 10 1/4W J	1	QC919	J2002520003X	TR NPN C5200 O(AC)	1
RSR93	J3003100420X	RES CF 10 1/4W J	1	QC921	J2002500003X	TR PNP A1943 O(AC)	1
RSR93	J3003100420X	RES CF 10 1/4W J	1	QC922	J2002500003X	TR PNP A1943 O(AC)	1
RSR93	J3003333274X	RES MR 33K 1/8W F	1	QL908	J2021500103X	TR PNP 2SA1360Y	1
RSR94	J3003122274X	RES MR 1K2 1/8W F	1	QL909	J2021500103X	TR PNP 2SA1360Y	1
RSR94	J3003390220X	RES CF 39 1/8 J	1	QL910	J2021520103X	TR NPN 2SC3423Y	1
RSR94	J3003390220X	RES CF 39 1/8 J	1	QL911	J2021520103X	TR NPN 2SC3423Y	1
RSR94	J3019390526X	RES 12GS 39 1/2 5%	1	QL913	J2021520202X	TR NPN 2SC4137V	1
RSR95	J3003152220X	RES CF 1K5 1/8 J	1	QL914	J2021520103X	TR NPN 2SC3423Y	1
RSR95	J3003152220X	RES CF 1K5 1/8 J	1	QL915	J2021500102X	TR PNP 2SA1859A	1
RSR95	J3003153220X	RES CF 15K 1/8W J	1	QL916	J2021500103X	TR PNP 2SA1360Y	1
RSR95	J3003682220X	RES CF 6K8 1/8 J	1	QL917	J2021520302X	TR NPN 2SC4883A	1
RSR95	J3003223220X	RES CF 22K 1/8 J	1	QL918	J2002520003X	TR NPN C5200 O(AC)	1
RSR97	J3019390526X	RES 12GS 39 1/2 5%	1	QL919	J2002520003X	TR NPN C5200 O(AC)	1
R960	J3003273220X	RES CRA 27K 1/8 J	1	QL921	J2002500003X	TR PNP A1943 O(AC)	1
R961	J3003271220X	RES CF 270 1/8 J	1	QL922	J2002500003X	TR PNP A1943 O(AC)	1
R962	J3003104220X	RES CF 100K 1/8 J	1	QSL90	J2021500103X	TR PNP 2SA1360Y	1
R963	J3003683220X	RES CF 68K 1/8 J	1	QSL90	J2021500103X	TR PNP 2SA1360Y	1
R964	J3003103220X	RES CF 10K 1/8 J	1	QSL91	J2021520103X	TR NPN 2SC3423Y	1
R965	J3003562220X	RES CF 5K6 1/8 J	1	QSL91	J2021520103X	TR NPN 2SC3423Y	1
R966	J3003104220X	RES CF 100K 1/8 J	1	QSL91	J2021520202X	TR NPN 2SC4137V	1
R967	J3003102220X	RES CF 1K 1/8 J	1	QSL91	J2021520103X	TR NPN 2SC3423Y	1
R968	J3003472220X	RES CF 4K7 1/8 J	1	QSL91	J2021500102X	TR PNP 2SA1859A	1
				QSL91	J2021500103X	TR PNP 2SA1360Y	1
				QSL91	J2021520302X	TR NPN 2SC4883A	1
				QSL91	J2002520003X	TR NPN C5200 O(AC)	1
				QSL91	J2002520003X	TR NPN C5200 O(AC)	1
				QSL92	J2002500003X	TR PNP A1943 O(AC)	1
				QSL92	J2002500003X	TR PNP A1943 O(AC)	1
				RC927	J3003229520X	RES CF 2R2 1/2 J	1
				RC929	J3003229520X	RES CF 2R2 1/2 J	1
				RC948	J3003100420X	RES CF 10 1/4W J	1
				RL927	J3003229520X	RES CF 2R2 1/2 J	1
				RL929	J3003229520X	RES CF 2R2 1/2 J	1
				RL948	J3003100420X	RES CF 10 1/4W J	1
				RSL92	J3003229520X	RES CF 2R2 1/2 J	1
				RSL92	J3003229520X	RES CF 2R2 1/2 J	1
				RSL94	J3003100420X	RES CF 10 1/4W J	1
				VC901	J3211320110X	RES SEMI 200 1/10	1
				VL901	J3211320110X	RES SEMI 200 1/10	1
				VSL90	J3211320110X	RES SEMI 200 1/10	1
				CC901	J3470810031X	CE AHS 10M 16V	1
				CC902	J3514680270X	CC TAP CH 68P 50V	1
				CC903	J3470110141X	CE SG 100U 25V M	1
				CC904	J3524821170X	CC 820PF 50V K	1
				CC905	J3514101270X	CC 100P 50V K	1
				CC906	J3514220270X	CC 22PF 50V J	1
				CC907	J3470810071X	CE AHS 10M 50V	1
				CC908	J3470810071X	CE AHS 10M 50V	1
				CC909	J3640683220X	CMP 0.068U 63V J	1
				CC911	J3470147121X	CE SG 470U 10V M	1
				CC912	J3640104350X	CP MET .1U 250V -M	1
				CC913	J3640104350X	CP MET .1U 250V -M	1
				CC920	J3600103330X	CP .01U 100V-K	1
				CC921	J3600103330X	CP .01U 100V-K	1
				CL901	J3470810031X	CE AHS 10M 16V	1
				CL902	J3514680270X	CC TAP CH 68P 50V	1
				CL903	J3470110141X	CE SG 100U 25V M	1

### 3CH AMPBD

□-----

BC01	J2631200012X	BEAD AXIAL 6MM	1
BC02	J2631200012X	BEAD AXIAL 6MM	1
BC04	J2631200012X	BEAD AXIAL 6MM	1
BC05	J2631200012X	BEAD AXIAL 6MM	1
BL01	J2631200012X	BEAD AXIAL 6MM	1
BL02	J2631200012X	BEAD AXIAL 6MM	1
BL04	J2631200012X	BEAD AXIAL 6MM	1
BL05	J2631200012X	BEAD AXIAL 6MM	1
BSL1	J2631200012X	BEAD AXIAL 6MM	1
BSL2	J2631200012X	BEAD AXIAL 6MM	1
BSL4	J2631200012X	BEAD AXIAL 6MM	1
BSL5	J2631200012X	BEAD AXIAL 6MM	1
CC914	J3470822191X	CE AHS 220M 100V	1
CC915	J3470822191X	CE AHS 220M 100V	1
CL914	J3470822191X	CE AHS 220M 100V	1
CL915	J3470822191X	CE AHS 220M 100V	1
CN902	J4370009909X	CNT 2P 350#20 SL	1
CN903	J4370009938X	CNT 3P 750#16 SL	1
CN904	J4370009915X	CNT 10P 150MM 2.0	1
CP901	J4420060200X	CONNECTOR	1
CSL91	J3470822191X	CE AHS 220M 100V	1
CSL91	J3470822191X	CE AHS 220M 100V	1
2 LC901	J1451000030X	COIL-AF CHOKE .7UH	1
2 LL901	J1451000030X	COIL-AF CHOKE .7UH	1
2 LSL90	J1451000030X	COIL-AF CHOKE .7UH	1
MPR90	J3076278421X	RES MPR 0.27 5W J	1
MPR90	J3076278421X	RES MPR 0.27 5W J	1
MPR91	J3076278421X	RES MPR 0.27 5W J	1
MPR91	J3076278421X	RES MPR 0.27 5W J	1
MPR91	J3076278421X	RES MPR 0.27 5W J	1



CL904	J3524821170X	CC 820PF 50V K	1	QSL90	J2021005101X	TR PNP KTA1268 BL	1
CL905	J3514101270X	CC 100P 50V K	1	QSL90	J2021005101X	TR PNP KTA1268 BL	1
CL906	J3514220270X	CC 22PF 50V J	1	QSL90	J2021020701X	TR NPN KTC3200 BL	1
CL907	J3470810071X	CE AHS 10M 50V	1	QSL91	J2021020701X	TR NPN KTC3200 BL	1
CL908	J3470810071X	CE AHS 10M 50V	1	QSL92	J2021020701X	TR NPN KTC3200 BL	1
CL909	J3640683220X	CMP 0.068U 63V J	1	Q980	J2021220102X	TR NPN DTC114YSA	1
CL911	J3470147121X	CE SG 470U 10V M	1	Q981	J2021000101X	TR PNP KTA1024	1
CL912	J3640104350X	CP MET .1U 250V -M	1	RC901	J3003102220X	RES CF 1K 1/8 J	1
CL913	J3640104350X	CP MET .1U 250V -M	1	RC902	J3003333274X	RES MR 33K 1/8W F	1
CL920	J3600103330X	CP .01U 100V-K	1	RC903	J3003150220X	RES CF 15 1/8W J	1
CL921	J3600103330X	CP .01U 100V-K	1	RC904	J3003150220X	RES CF 15 1/8W J	1
CSL90	J3470810031X	CE AHS 10M 16V	1	RC905	J3003152220X	RES CF 1K5 1/8 J	1
CSL90	J3514680270X	CC TAP CH 68P 50V	1	RC906	J3003152220X	RES CF 1K5 1/8 J	1
CSL90	J3470110141X	CE SG 100U 25V M	1	RC907	J3003271220X	RES CF 270 1/8 J	1
CSL90	J3524821170X	CC 820PF 50V K	1	RC908	J3003101220X	RES CF 100 1/8 J	1
CSL90	J3514101270X	CC 100P 50V K	1	RC909	J3003433220X	RES CF 43K 1/8 J	1
CSL90	J3514220270X	CC 22PF 50V J	1	RC910	J3003561220X	RES CF 560 1/8 J	1
CSL90	J3470810071X	CE AHS 10M 50V	1	RC911	J3003561220X	RES CF 560 1/8 J	1
CSL90	J3470810071X	CE AHS 10M 50V	1	RC912	J3003561220X	RES CF 560 1/8 J	1
CSL90	J3640683220X	CMP 0.068U 63V J	1	RC913	J3003561220X	RES CF 560 1/8 J	1
CSL91	J3470147121X	CE SG 470U 10V M	1	RC914	J3003561220X	RES CF 560 1/8 J	1
CSL91	J3640104350X	CP MET .1U 250V -M	1	RC915	J3003561220X	RES CF 560 1/8 J	1
CSL91	J3640104350X	CP MET .1U 250V -M	1	RC916	J3003151420X	RES CF 150 1/4W J	1
CSL92	J3600103330X	CP .01U 100V-K	1	RC917	J3003151420X	RES CF 150 1/4W J	1
CSL92	J3600103330X	CP .01U 100V-K	1	RC918	J3003151420X	RES CF 150 1/4W J	1
C980	J3470110971X	CE SG 1U 50V M	1	RC919	J3003151420X	RES CF 150 1/4W J	1
C981	J3470147121X	CE SG 470U 10V M	1	RC920	J3003153220X	RES CF 15K 1/8W J	1
DC901	J2221010000X	DIODE SW IN4148	1	RC921	J3003153220X	RES CF 15K 1/8W J	1
DC902	J2221010000X	DIODE SW IN4148	1	RC922	J3003102220X	RES CF 1K 1/8 J	1
DC903	J2221010104X	DIODE SW 1SS244	1	RC923	J3003472220X	RES CF 4K7 1/8 J	1
DC904	J2221010104X	DIODE SW 1SS244	1	RC924	J3003562220X	RES CF 5K6 1/8 J	1
DC905	J2221010000X	DIODE SW IN4148	1	RC925	J3003561220X	RES CF 560 1/8 J	1
DC906	J2221010000X	DIODE SW IN4148	1	RC926	J3003101420X	RES CF 100 1/4 J	1
DL901	J2221010000X	DIODE SW IN4148	1	RC928	J3003101420X	RES CF 100 1/4 J	1
DL902	J2221010000X	DIODE SW IN4148	1	RC930	J3003150420X	RES CF 15 1/4 J	1
DL903	J2221010104X	DIODE SW 1SS244	1	RC931	J3003150420X	RES CF 15 1/4 J	1
DL904	J2221010104X	DIODE SW 1SS244	1	RC932	J3003820420X	RES CF 82 1/4W J	1
DL905	J2221010000X	DIODE SW IN4148	1	RC933	J3003100420X	RES CF 10 1/4W J	1
DL906	J2221010000X	DIODE SW IN4148	1	RC934	J3003100420X	RES CF 10 1/4W J	1
DSL90	J2221010000X	DIODE SW IN4148	1	RC936	J3003100420X	RES CF 10 1/4W J	1
DSL90	J2221010000X	DIODE SW IN4148	1	RC937	J3003100420X	RES CF 10 1/4W J	1
DSL90	J2221010104X	DIODE SW 1SS244	1	RC939	J3003333274X	RES MR 33K 1/8W F	1
DSL90	J2221010104X	DIODE SW 1SS244	1	RC940	J3003122274X	RES MR 1K2 1/8W F	1
DSL90	J2221010000X	DIODE SW IN4148	1	RC941	J3003390220X	RES CF 39 1/8 J	1
DSL90	J2221010000X	DIODE SW IN4148	1	RC942	J3003390220X	RES CF 39 1/8 J	1
D980	J2221010000X	DIODE SW IN4148	1	RC946	J3019390526X	RES 12GS 39 1/2 5%	1
D981	J2221010000X	DIODE SW IN4148	1	RC947	J3019390526X	RES 12GS 39 1/2 5%	1
QC901	J2021020701X	TR NPN KTC3200 BL	1	RC950	J3003152220X	RES CF 1K5 1/8 J	1
QC902	J2021020701X	TR NPN KTC3200 BL	1	RC951	J3003152220X	RES CF 1K5 1/8 J	1
QC903	J2021020701X	TR NPN KTC3200 BL	1	RC952	J3003153220X	RES CF 15K 1/8W J	1
QC904	J2021020201X	TR NPN KTC3198 BL	1	RC953	J3003682220X	RES CF 6K8 1/8 J	1
QC905	J2021005101X	TR PNP KTA1268 BL	1	RC954	J3003223220X	RES CF 22K 1/8 J	1
QC906	J2021005101X	TR PNP KTA1268 BL	1	RL901	J3003102220X	RES CF 1K 1/8 J	1
QC907	J2021020701X	TR NPN KTC3200 BL	1	RL902	J3003333274X	RES MR 33K 1/8W F	1
QC912	J2021020701X	TR NPN KTC3200 BL	1	RL903	J3003150220X	RES CF 15 1/8W J	1
QC924	J2021020701X	TR NPN KTC3200 BL	1	RL904	J3003150220X	RES CF 15 1/8W J	1
QL901	J2021020701X	TR NPN KTC3200 BL	1	RL905	J3003152220X	RES CF 1K5 1/8 J	1
QL902	J2021020701X	TR NPN KTC3200 BL	1	RL906	J3003152220X	RES CF 1K5 1/8 J	1
QL903	J2021020701X	TR NPN KTC3200 BL	1	RL907	J3003271220X	RES CF 270 1/8 J	1
QL904	J2021020201X	TR NPN KTC3198 BL	1	RL908	J3003101220X	RES CF 100 1/8 J	1
QL905	J2021005101X	TR PNP KTA1268 BL	1	RL909	J3003433220X	RES CF 43K 1/8 J	1
QL906	J2021005101X	TR PNP KTA1268 BL	1	RL910	J3003561220X	RES CF 560 1/8 J	1
QL907	J2021020701X	TR NPN KTC3200 BL	1	RL911	J3003561220X	RES CF 560 1/8 J	1
QL912	J2021020701X	TR NPN KTC3200 BL	1	RL912	J3003561220X	RES CF 560 1/8 J	1
QL924	J2021020701X	TR NPN KTC3200 BL	1	RL913	J3003561220X	RES CF 560 1/8 J	1
QSL90	J2021020701X	TR NPN KTC3200 BL	1	RL914	J3003561220X	RES CF 560 1/8 J	1
QSL90	J2021020701X	TR NPN KTC3200 BL	1	RL915	J3003561220X	RES CF 560 1/8 J	1
QSL90	J2021020701X	TR NPN KTC3200 BL	1	RL916	J3003151420X	RES CF 150 1/4W J	1
QSL90	J2021020201X	TR NPN KTC3198 BL	1	RL917	J3003151420X	RES CF 150 1/4W J	1

RL918	J3003151420X	RES CF 150 1/4W J	1	RSL95	J3003152220X	RES CF 1K5 1/8 J	1
RL919	J3003151420X	RES CF 150 1/4W J	1	RSL95	J3003153220X	RES CF 15K 1/8W J	1
RL920	J3003153220X	RES CF 15K 1/8W J	1	RSL95	J3003682220X	RES CF 6K8 1/8 J	1
RL921	J3003153220X	RES CF 15K 1/8W J	1	RSL95	J3003223220X	RES CF 22K 1/8 J	1
RL922	J3003102220X	RES CF 1K 1/8 J	1	R980	J3003273220X	RES CRA 27K 1/8 J	1
RL923	J3003472220X	RES CF 4K7 1/8 J	1	R981	J3003181220X	RES CF 180 1/8 J	1
RL924	J3003562220X	RES CF 5K6 1/8 J	1				
RL925	J3003561220X	RES CF 560 1/8 J	1				
RL926	J3003101420X	RES CF 100 1/4 J	1				
RL928	J3003101420X	RES CF 100 1/4 J	1				
RL930	J3003150420X	RES CF 15 1/4 J	1				
RL931	J3003150420X	RES CF 15 1/4 J	1				
RL932	J3003820420X	RES CF 82 1/4W J	1				
RL933	J3003100420X	RES CF 10 1/4W J	1				
RL934	J3003100420X	RES CF 10 1/4W J	1				
RL936	J3003100420X	RES CF 10 1/4W J	1				
RL937	J3003100420X	RES CF 10 1/4W J	1				
RL939	J3003333274X	RES MR 33K 1/8W F	1				
RL940	J3003122274X	RES MR 1K2 1/8W F	1				
RL941	J3003390220X	RES CF 39 1/8 J	1				
RL942	J3003390220X	RES CF 39 1/8 J	1				
RL946	J3019390526X	RES 12GS 39 1/2 5%	1				
RL947	J3019390526X	RES 12GS 39 1/2 5%	1				
RL950	J3003152220X	RES CF 1K5 1/8 J	1				
RL951	J3003152220X	RES CF 1K5 1/8 J	1				
RL952	J3003153220X	RES CF 15K 1/8W J	1				
RL953	J3003682220X	RES CF 6K8 1/8 J	1				
RL954	J3003223220X	RES CF 22K 1/8 J	1				
RSL90	J3003102220X	RES CF 1K 1/8 J	1				
RSL90	J3003333274X	RES MR 33K 1/8W F	1				
RSL90	J3003150220X	RES CF 15 1/8W J	1				
RSL90	J3003150220X	RES CF 15 1/8W J	1				
RSL90	J3003152220X	RES CF 1K5 1/8 J	1				
RSL90	J3003152220X	RES CF 1K5 1/8 J	1				
RSL90	J3003271220X	RES CF 270 1/8 J	1				
RSL90	J3003101220X	RES CF 100 1/8 J	1				
RSL90	J3003433220X	RES CF 43K 1/8 J	1				
RSL91	J3003561220X	RES CF 560 1/8 J	1				
RSL91	J3003561220X	RES CF 560 1/8 J	1				
RSL91	J3003561220X	RES CF 560 1/8 J	1				
RSL91	J3003561220X	RES CF 560 1/8 J	1				
RSL91	J3003561220X	RES CF 560 1/8 J	1				
RSL91	J3003151420X	RES CF 150 1/4W J	1				
RSL91	J3003151420X	RES CF 150 1/4W J	1				
RSL91	J3003151420X	RES CF 150 1/4W J	1				
RSL92	J3003153220X	RES CF 15K 1/8W J	1				
RSL92	J3003153220X	RES CF 15K 1/8W J	1				
RSL92	J3003102220X	RES CF 1K 1/8 J	1				
RSL92	J3003472220X	RES CF 4K7 1/8 J	1				
RSL92	J3003562220X	RES CF 5K6 1/8 J	1				
RSL92	J3003561220X	RES CF 560 1/8 J	1				
RSL92	J3003101420X	RES CF 100 1/4 J	1				
RSL92	J3003101420X	RES CF 100 1/4 J	1				
RSL93	J3003150420X	RES CF 15 1/4 J	1				
RSL93	J3003150420X	RES CF 15 1/4 J	1				
RSL93	J3003820420X	RES CF 82 1/4W J	1				
RSL93	J3003100420X	RES CF 10 1/4W J	1				
RSL93	J3003100420X	RES CF 10 1/4W J	1				
RSL93	J3003100420X	RES CF 10 1/4W J	1				
RSL93	J3003100420X	RES CF 10 1/4W J	1				
RSL93	J3003333274X	RES MR 33K 1/8W F	1				
RSL94	J3003122274X	RES MR 1K2 1/8W F	1				
RSL94	J3003390220X	RES CF 39 1/8 J	1				
RSL94	J3003390220X	RES CF 39 1/8 J	1				
RSL94	J3019390526X	RES 12GS 39 1/2 5%	1				
RSL94	J3019390526X	RES 12GS 39 1/2 5%	1				
RSL95	J3003152220X	RES CF 1K5 1/8 J	1				

REVISION RECORD			
LTR	ECO NO:	APPROVED:	DATE:

D  
C  
B  
A

D  
C  
B  
A

Front -R

Surr-Right

RIGHT-CH

S-RIGHT-CH

V+(+78.5V(+82V))

B+(+55.5V(+58.5V))

V-(-78.5V(-82V))

B-(-55.6V(-58.5V))

V+(+78.5V(+82V))

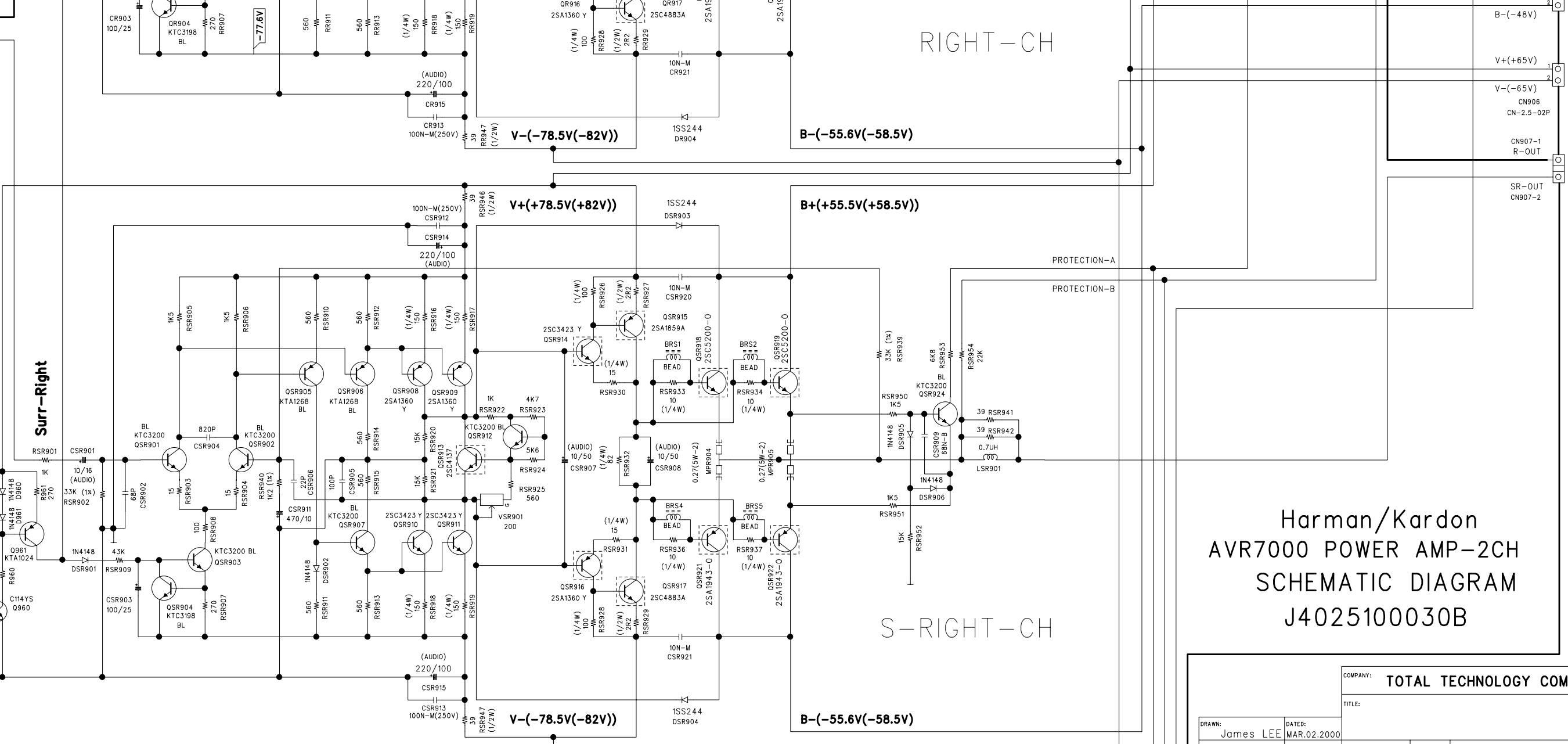
B+(+55.5V(+58.5V))

V-(-78.5V(-82V))

B-(-55.6V(-58.5V))

Harman/Kardon  
AVR7000 POWER AMP-2CH  
SCHEMATIC DIAGRAM  
J4025100030B

DRAWN: James LEE		DATED: MAR.02.2000		COMPANY: TOTAL TECHNOLOGY COMPANY	
CHECKED:		DATED:		TITLE:	
QUALITY CONTROL:		DATED:		CODE:	SIZE:
RELEASED:		DATED:		DRAWING NO:	REV: A
SCALE:		SHEET: 1 OF 1			



FROM HEAT-SINK  
FROM MAIN B'D  
TO MAIN B'D TO CAP B'D

D

C

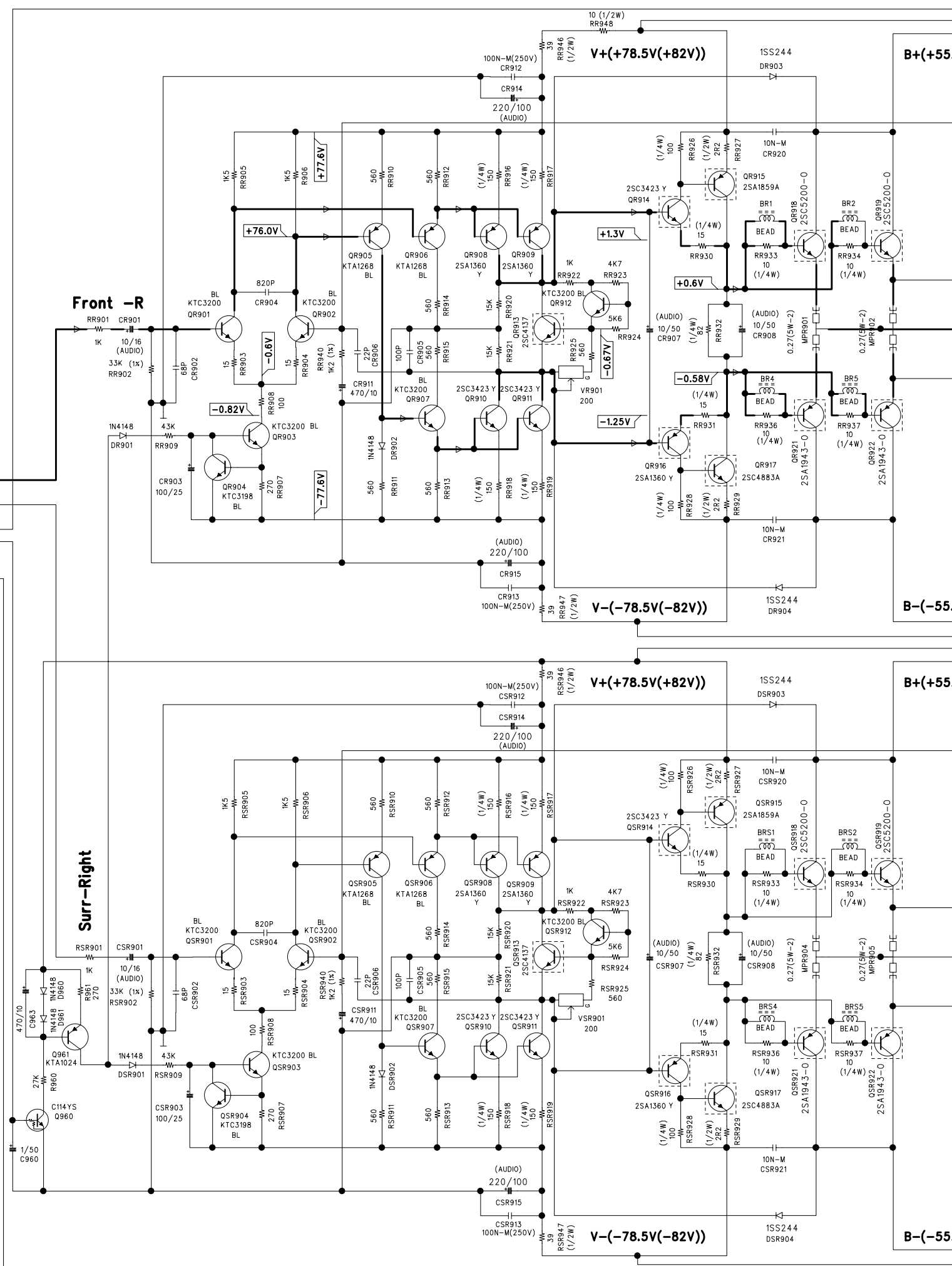
B

A

- TO INPUT B/D
- 1 R-IN
  - 2 G
  - 3 SR-IN
  - 4 G
  - 5 PROTECTION
  - 6 P-MUTE
  - 7 +15V
  - 8 NC
  - 9 PROTEC-A
  - 10 PROTEC-B
- CN-2.0-10P  
CN908

Front -R

Surr-Right



B+(+55.5V)

B-(-55.5V)

B+(+55.5V)

B-(-55.5V)

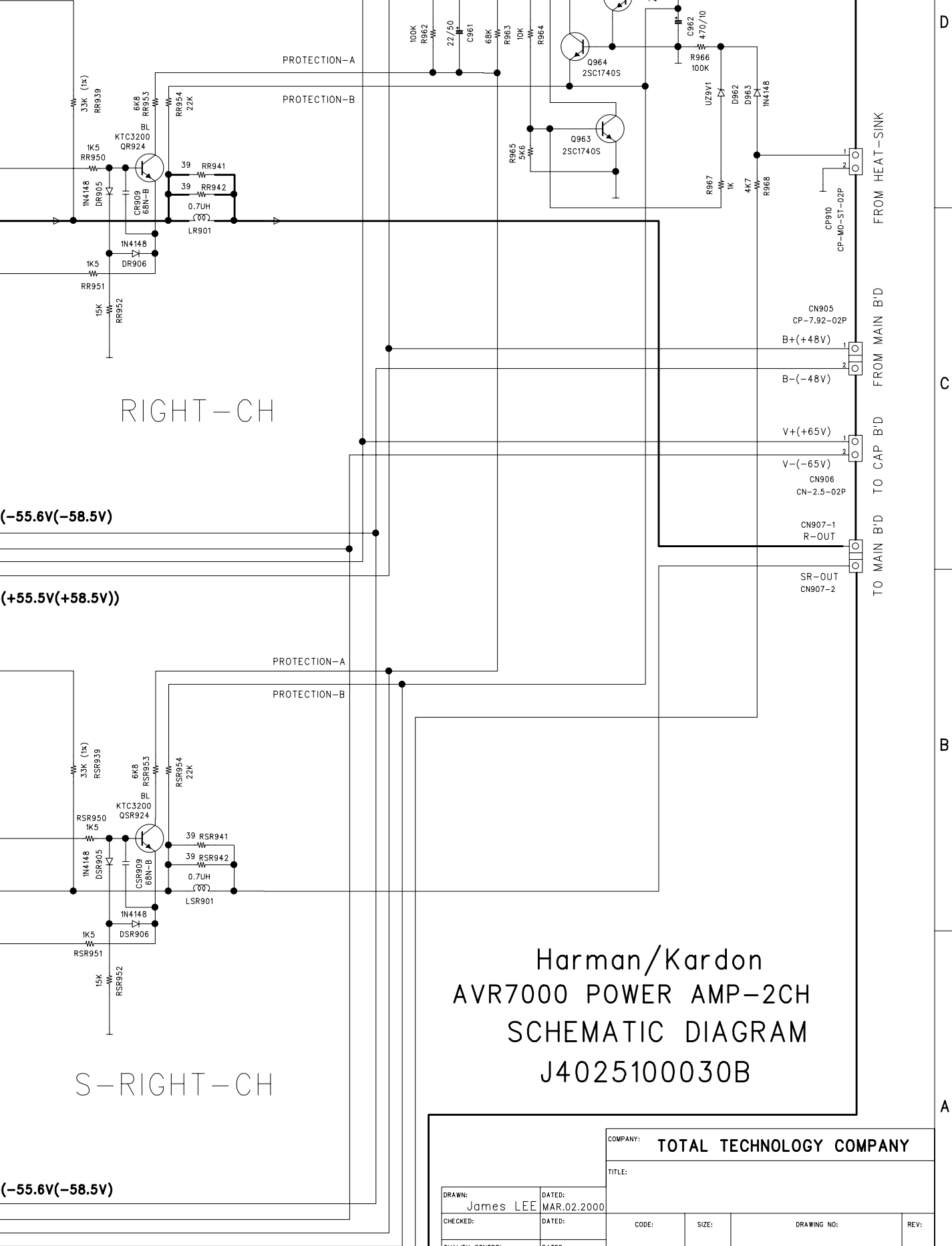
REVISION RECORD			
LTR	ECO NO:	APPROVED:	DATE:

(+55.5V(+58.5V))

(-55.6V(-58.5V))

(+55.5V(+58.5V))

(-55.6V(-58.5V))



RIGHT-CH

S-RIGHT-CH

Harman/Kardon  
 AVR7000 POWER AMP-2CH  
 SCHEMATIC DIAGRAM  
 J4025100030B

FROM HEAT-SINK  
 FROM MAIN B'D  
 TO MAIN B'D TO CAP B'D

COMPANY: TOTAL TECHNOLOGY COMPANY

TITLE:

DRAWN: James LEE DATED: MAR.02.2000

CHECKED: DATED:

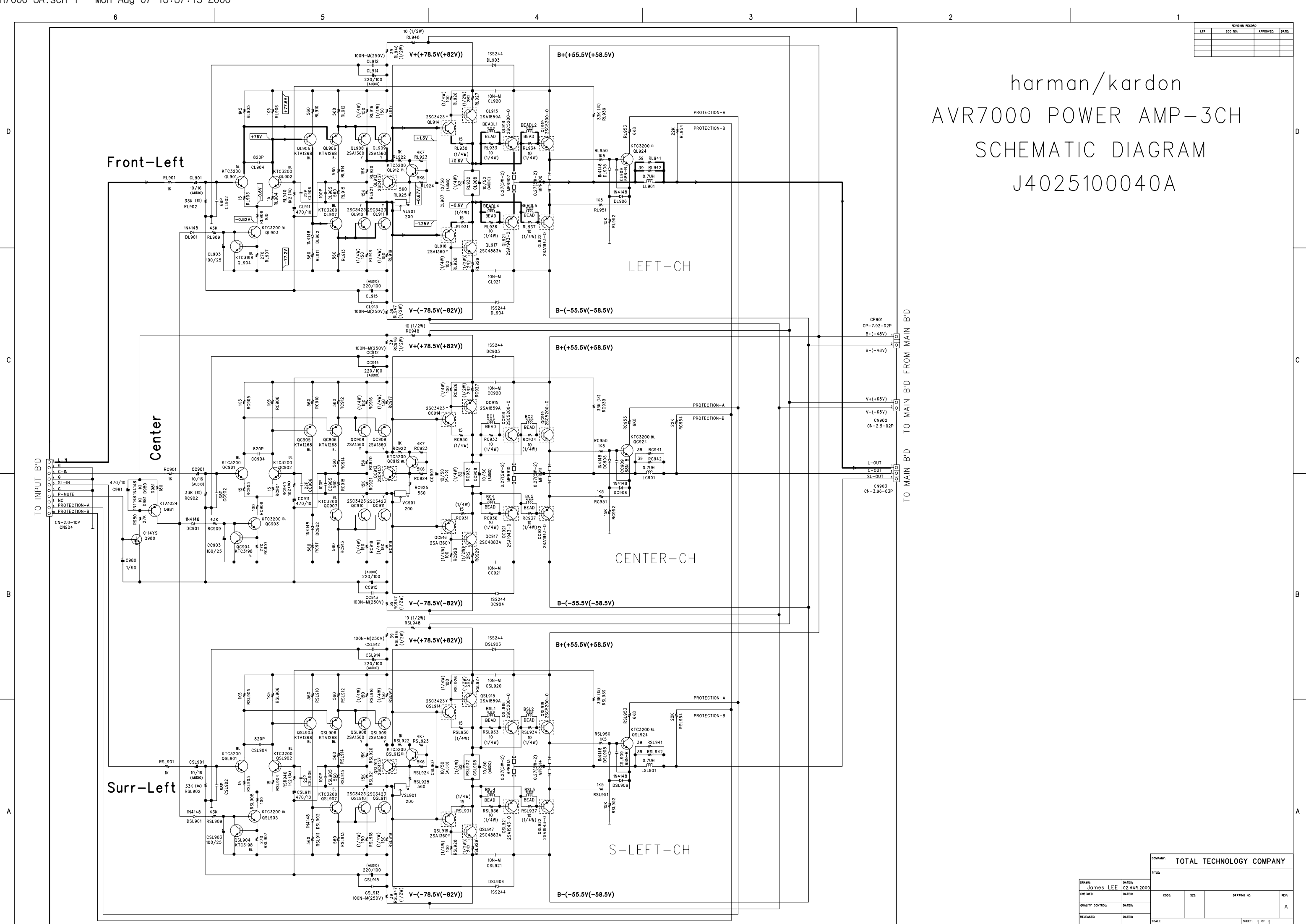
QUALITY CONTROL: DATED:

RFI FASED: DATED:

CODE: SIZE: DRAWING NO: REV: A

REVISION RECORD			
LTR	ECO NO.	APPROVED	DATE

harman/kardon  
 AVR7000 POWER AMP-3CH  
 SCHEMATIC DIAGRAM  
 J4025100040A

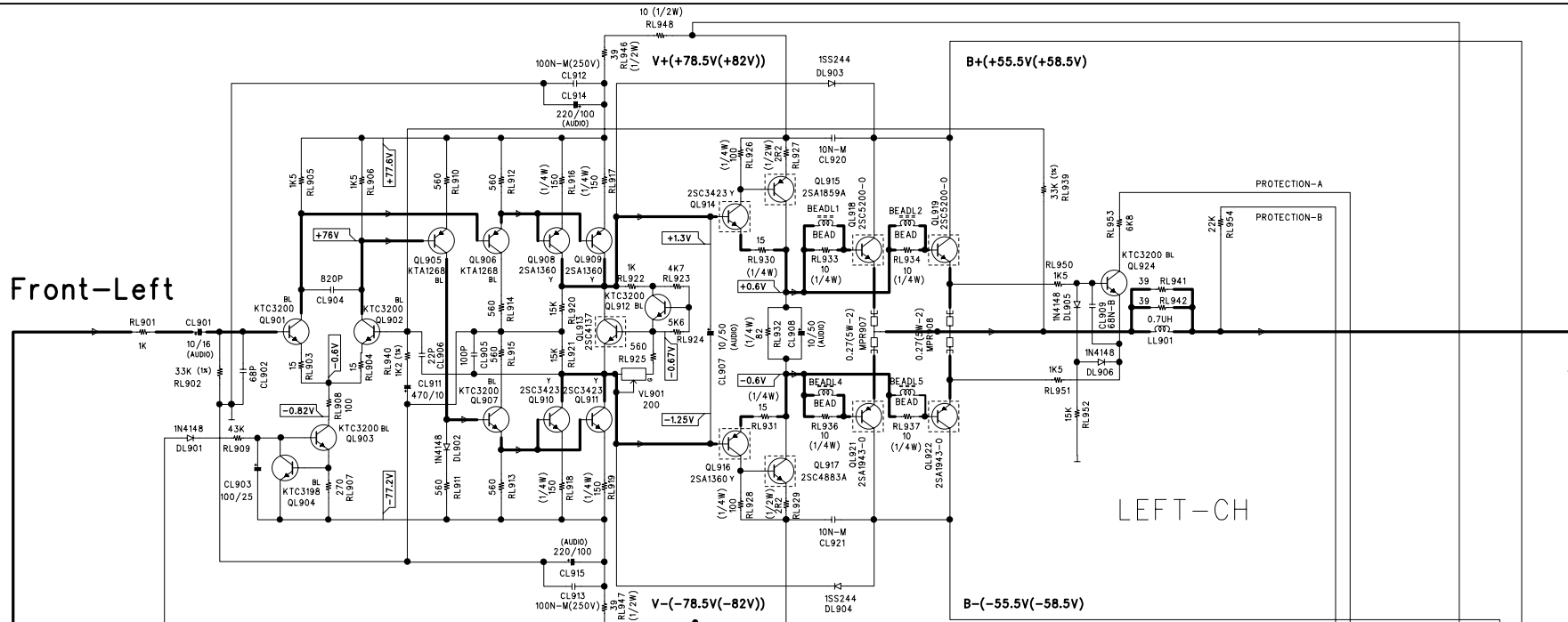


TO MAIN B'D FROM MAIN B'D

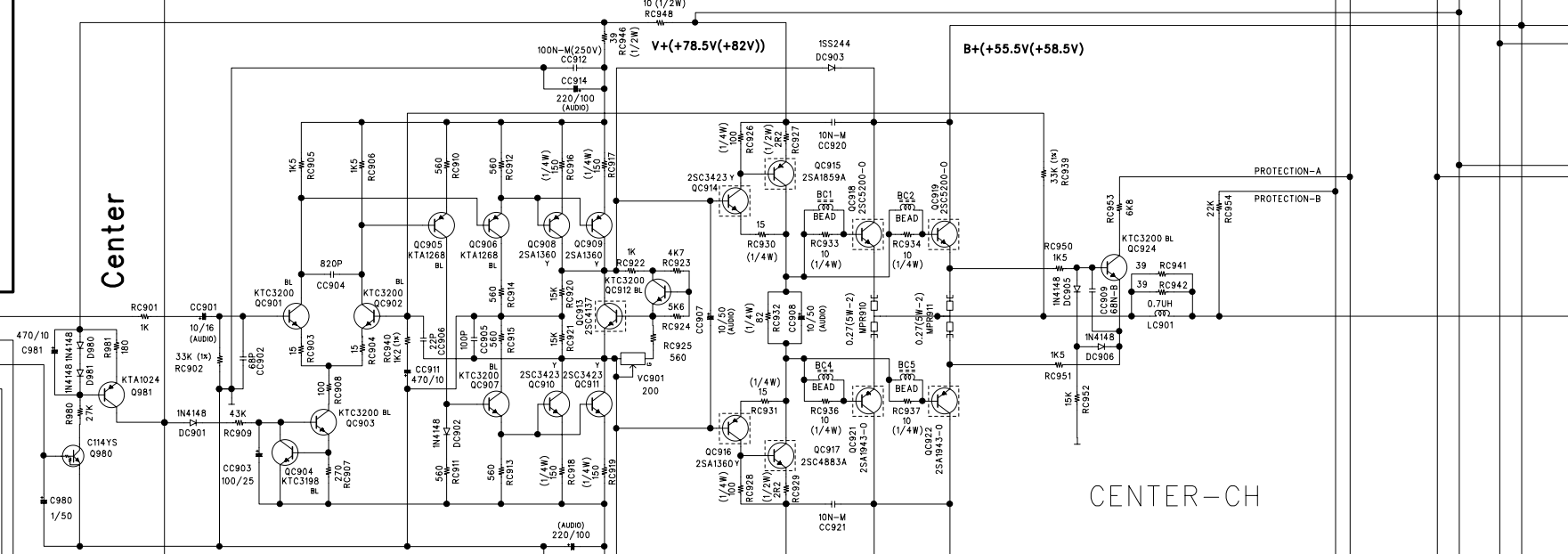
DRAWN: James LEE		DATED: 02.MAR.2000	
CHECKED:	DATE:	CODE:	SIZE:
QUALITY CONTROL:	DATE:	DRAWING NO:	REVISION:
RELEASED:	DATE:	SCALE:	SHEET: 1 of 1

COMPANY: TOTAL TECHNOLOGY COMPANY

# Front-Left



# LEFT-CH



# CENTER-CH

- 1 L-IN
- 2 C
- 3 C-IN
- 4 G
- 5 SL-IN
- 6 C
- 7 P-MUTE
- 8 NC
- 9 TO MAIN B'D

- 1 CP901
- 2 CP-7.92-02P
- 3 B+(+48V)
- 4 B(-48V)
- 5 V+(+65V)
- 6 V(-65V)
- 7 CN902
- 8 CN-2.5-02P
- 9 L-OUT
- 10 C-OUT
- 11 SL-OUT
- 12 CN903
- 13 CN-3.96-03P

TO MAIN B'D FROM MAIN B'D

C

B

A

TO INPUT B'D

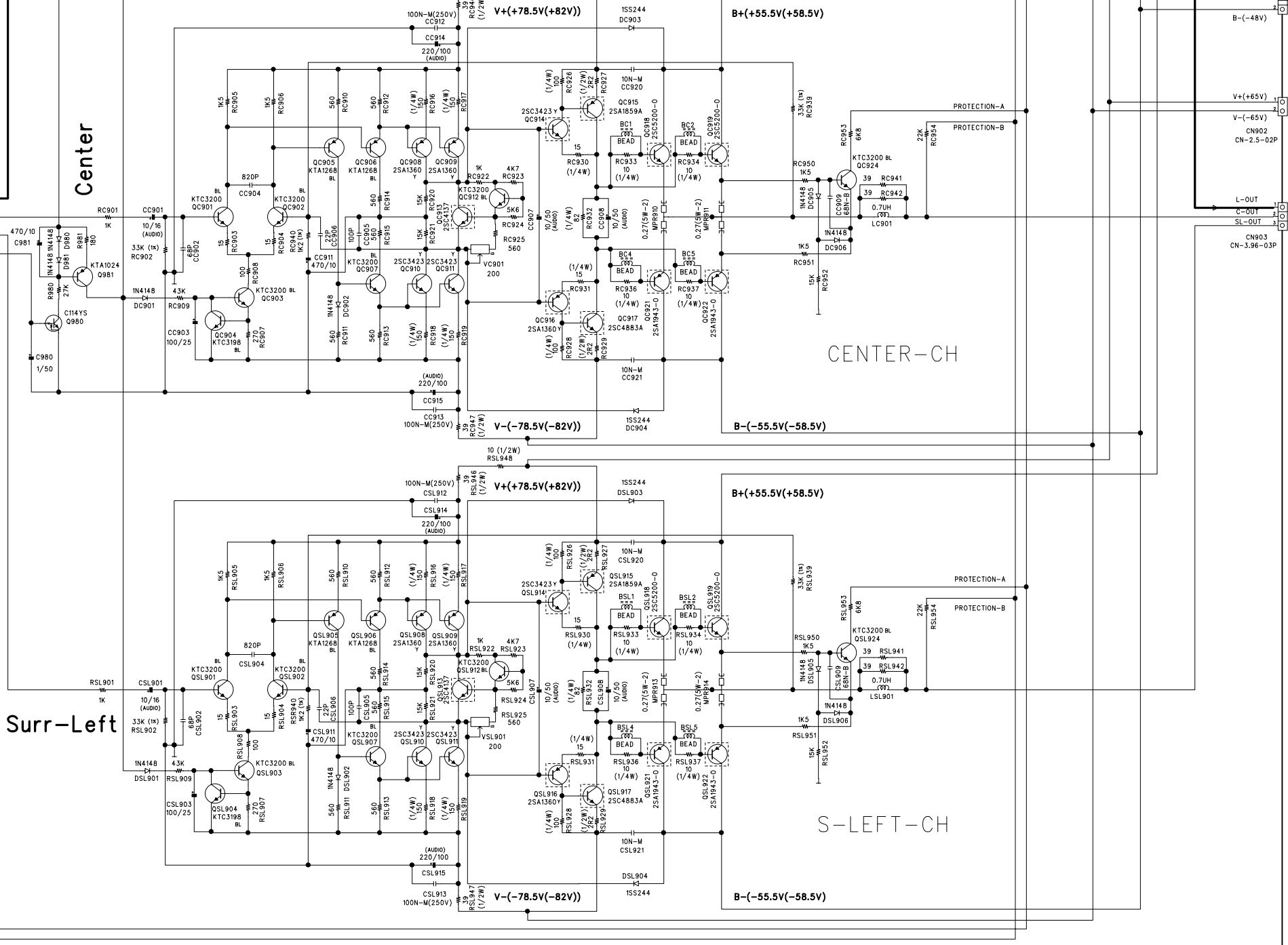
TO MAIN B'D FROM M

# Center

# Surr-Left

# CENTER-CH

# S-LEFT-CH



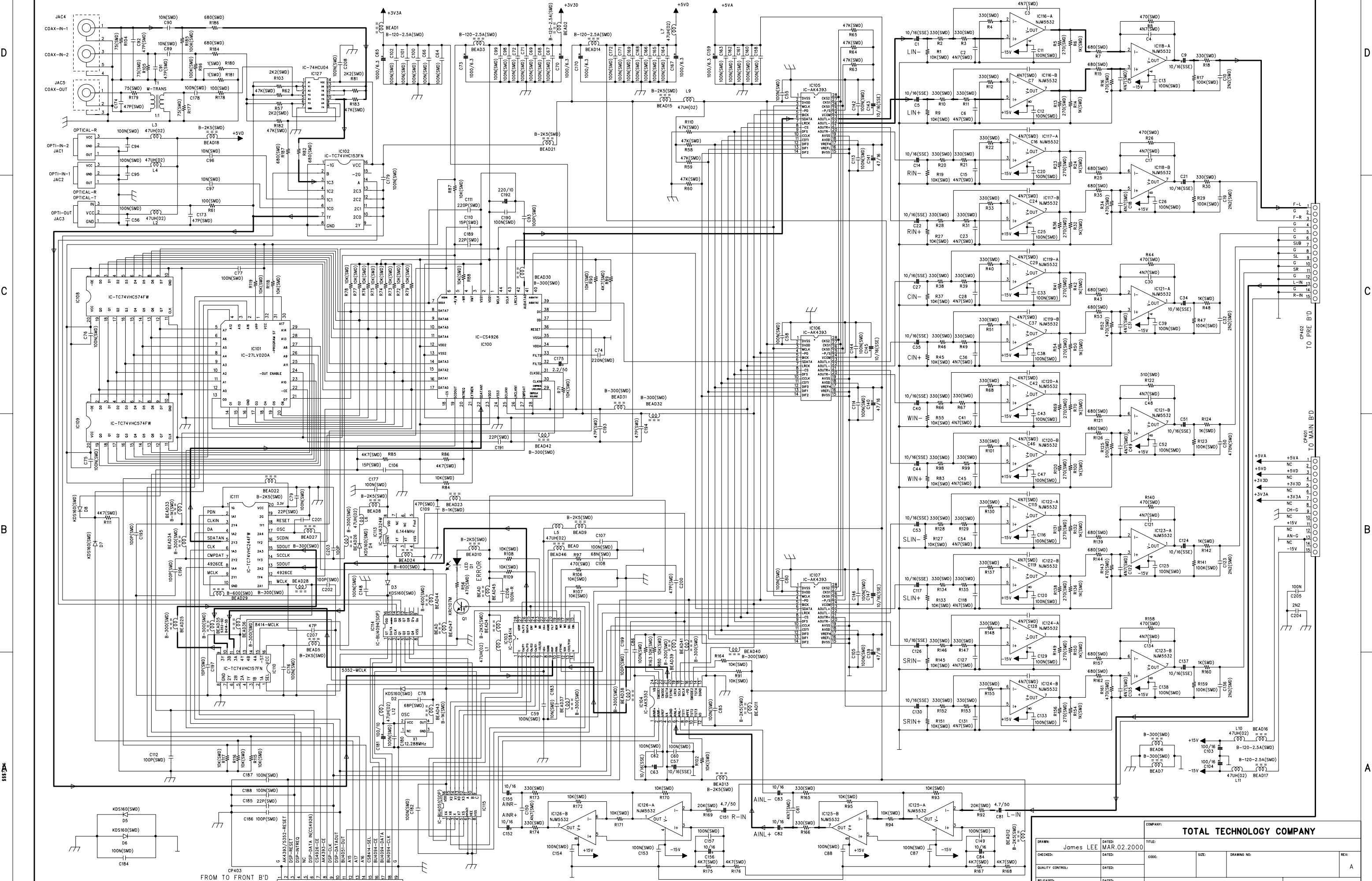
B-(-48V)  
 V+(+65V)  
 V-(-65V)  
 CN902  
 CN-2.5-02P  
 L-OUT  
 C-OUT  
 SL-OUT  
 CN903  
 CN-3.96-03P



# SCHEMATIC DIAGRAM

## MP AVR7000 J4025100120B DD/DTS/HDCD/logic-7/V-max B'D

REVISION RECORD			
LTN	ECO NO.	APPROVED	DATE



112

FROM TO FRONT B'D

COMPANY: **TOTAL TECHNOLOGY COMPANY**

DRAWN: James LEE    DATED: MAR.02.2000    TITLE:   

CHECKED:    DATED:    CODE:    SIZE:    DRAWING NO:    REV:   

QUALITY CONTROL:    DATED:   

RELEASED:    DATED:    SCALE:   

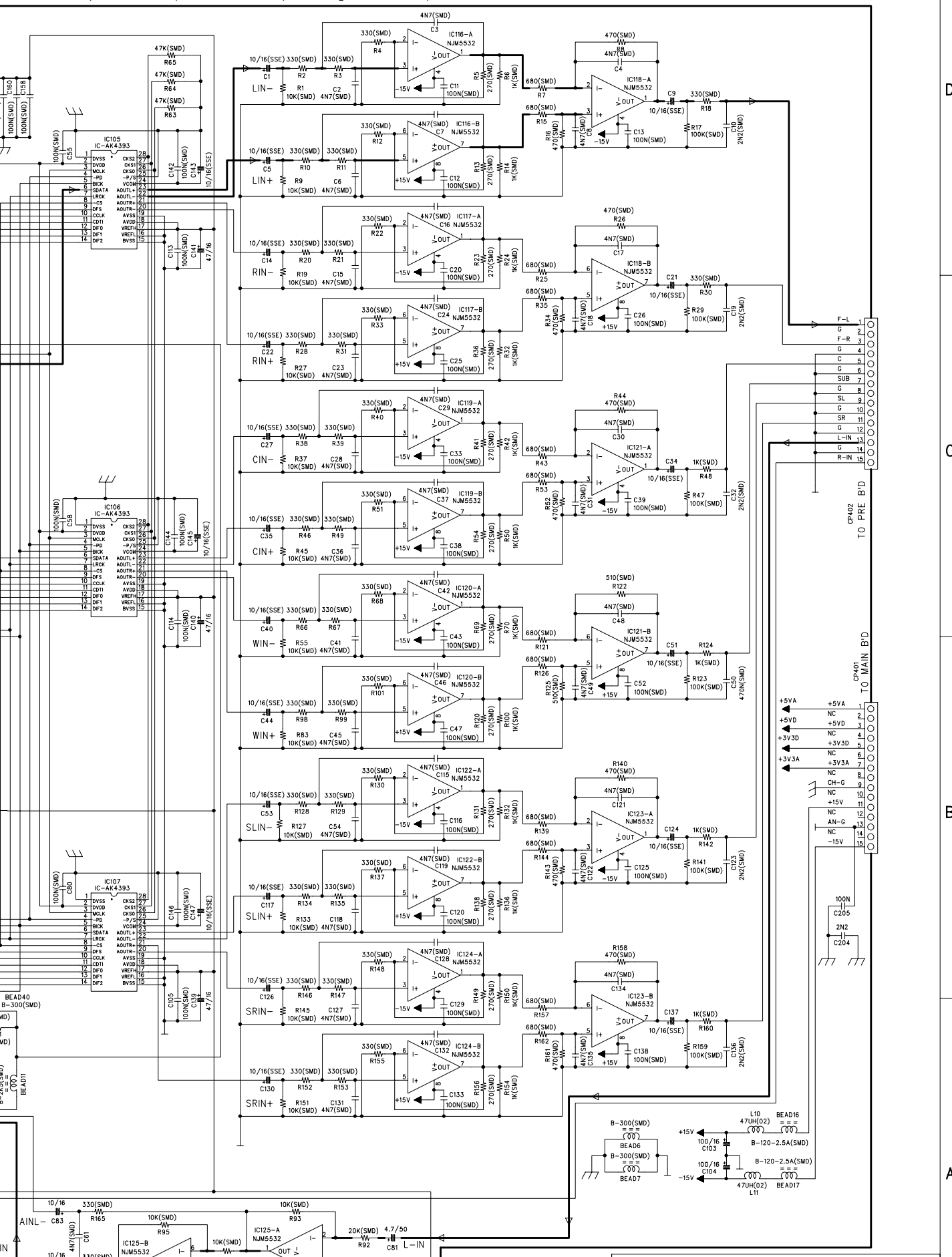
SHEET: 1 of 1



# MP AVR7000 J4025100120B

## DD/DTS/HDCD/logic-7/V-max B'D

REVISION RECORD			
LTR	ECO NO:	APPROVED:	DATE:



D

C

B

A

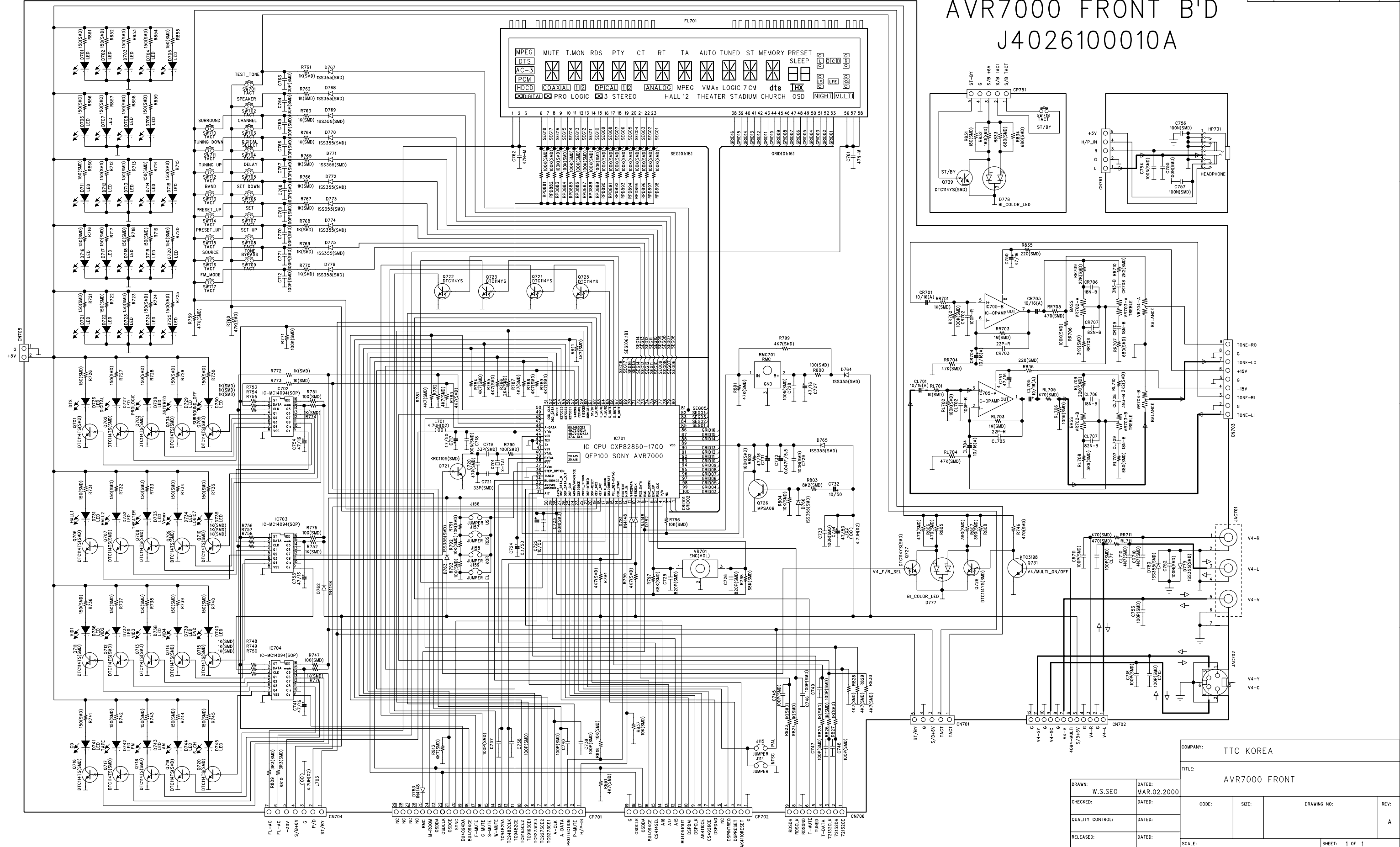
COMPANY: **TOTAL TECHNOLOGY COMPANY**

DRAWN: James LEE	DATE: MAR.02.2000	TITLE:	
CHECKED:	DATE:	CODE:	
QUALITY CONTROL:	DATE:	SIZE:	
RELEASED:	DATE:	DRAWING NO:	
		REV:	A

# SCHEMATIC DIAGRAM

## harman/kardon AVR7000 FRONT B'D J4026100010A

REVISION RECORD			
LTR	ECO NO:	APPROVED:	DATE:



COMPANY: TTC KOREA	
TITLE: AVR7000 FRONT	
DRAWN: W.S.SEO	DATED: MAR.02.2000
CHECKED:	DATED:
QUALITY CONTROL:	DATED:
RELEASED:	DATED:
CODE:	SIZE:
DRAWING NO:	REV: A
SCALE:	
SHEET: 1 OF 1	

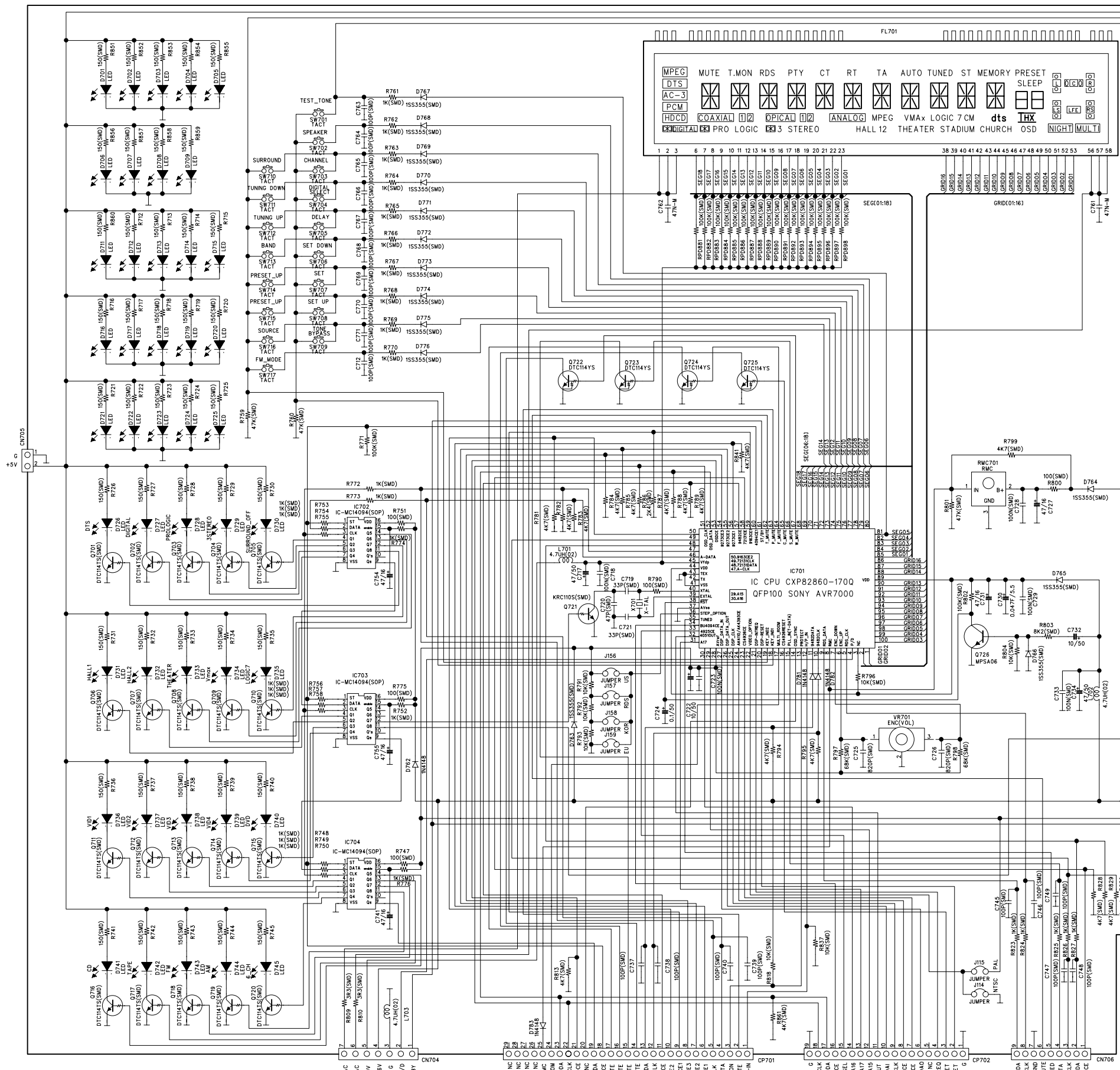
# SCHEMATIC DIAGRAM

D

C

B

A



15V  
CN705

7 FL-AC  
 8 FL-AC  
 9 -30V  
 10 S/B49V  
 11 G  
 12 ST/BV  
 13 CN704  
 14 NC  
 15 NC  
 16 NC  
 17 RNC  
 18 W-ROOM  
 19 OSDIA  
 20 OSDCK  
 21 OSDCE  
 22 BU4094CE  
 23 BU4094CE  
 24 F-MUTE  
 25 S-MUTE  
 26 W-MUTE  
 27 TS482DA  
 28 TS482DA  
 29 TS482DA  
 30 TS482DA  
 31 TS482DA  
 32 TS482DA  
 33 A-CLK  
 34 A-DATA  
 35 PROTECTION  
 36 F-MUTE  
 37 S-MUTE  
 38 W-MUTE  
 39 CP701  
 40 G  
 41 OSDCK  
 42 OSDIA  
 43 BU4094CE  
 44 CS4926CE  
 45 A16  
 46 A15  
 47 BU4050OUT  
 48 DSPDAI  
 49 DSPCLK  
 50 AK4100CE  
 51 CS4926CE  
 52 DSPDA0  
 53 DSPIN0  
 54 DSPRESET  
 55 AK4100RESET  
 56 CP702  
 57 RSDA  
 58 RSDCK  
 59 RSDSD  
 60 T-MUTE  
 61 T-DATE  
 62 72132CLK  
 63 72132DA  
 64 72132CE  
 65 72132CE

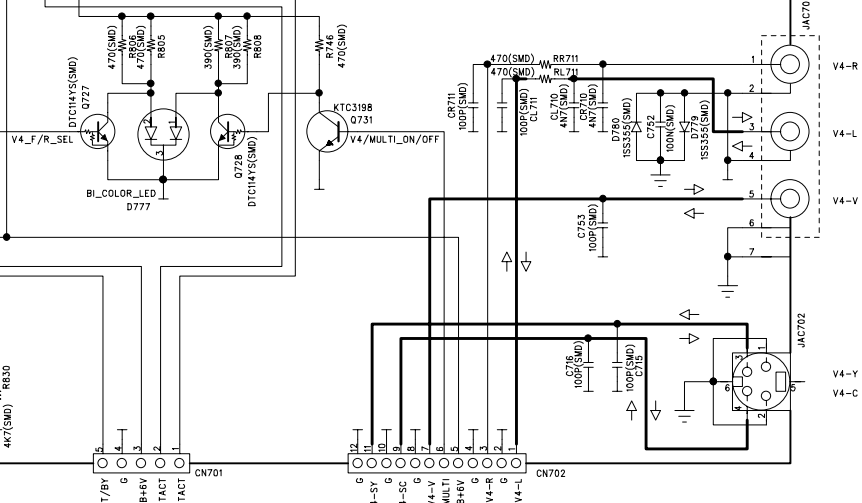
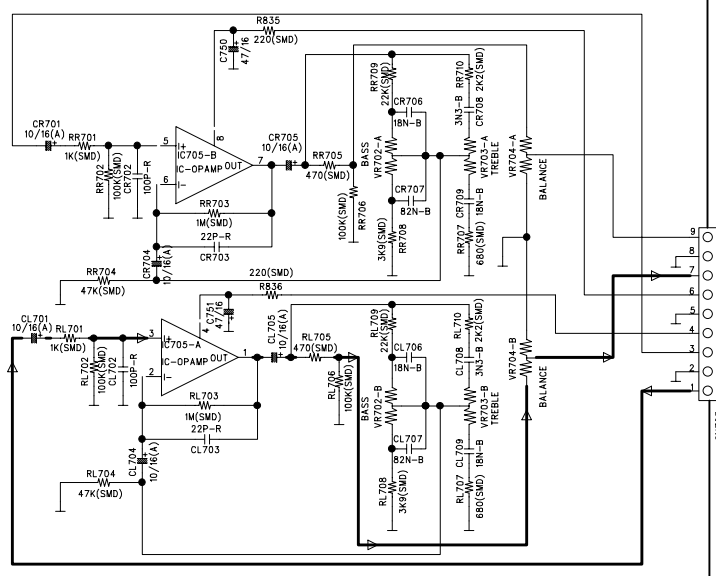
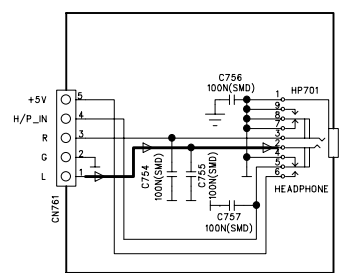
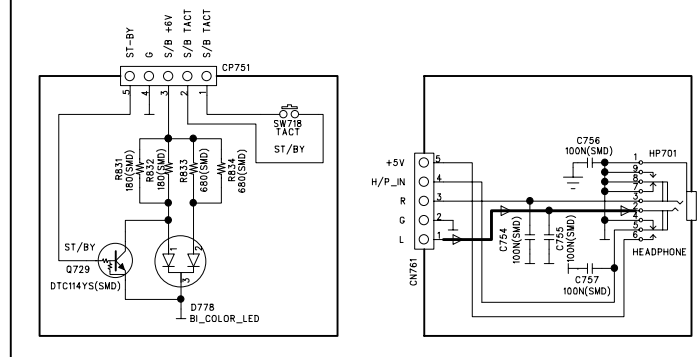
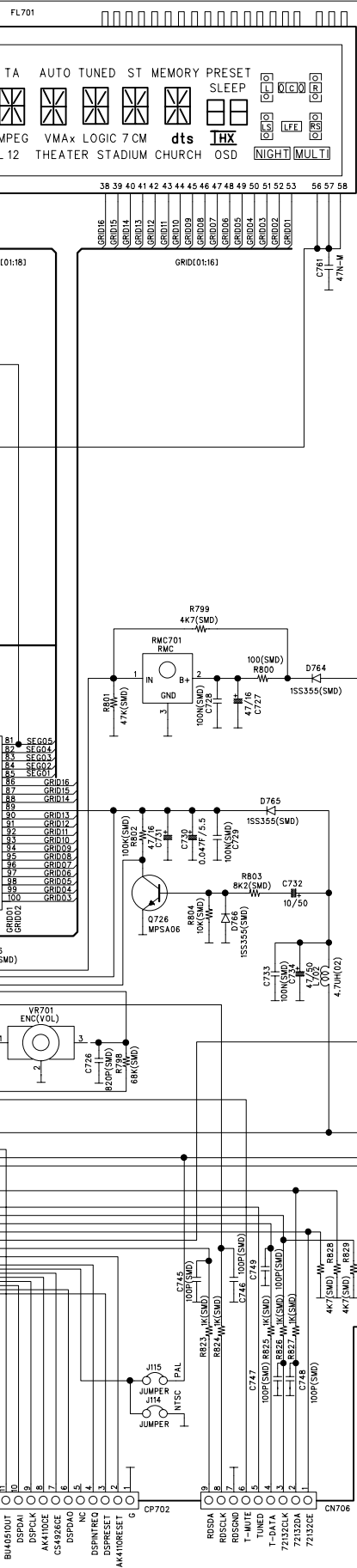
V4

CN706

# IC DIAGRAM

## harman/kardon AVR7000 FRONT B'D J4026100010A

REVISION RECORD			
LTR	ECCO NO:	APPROVED:	DATE:



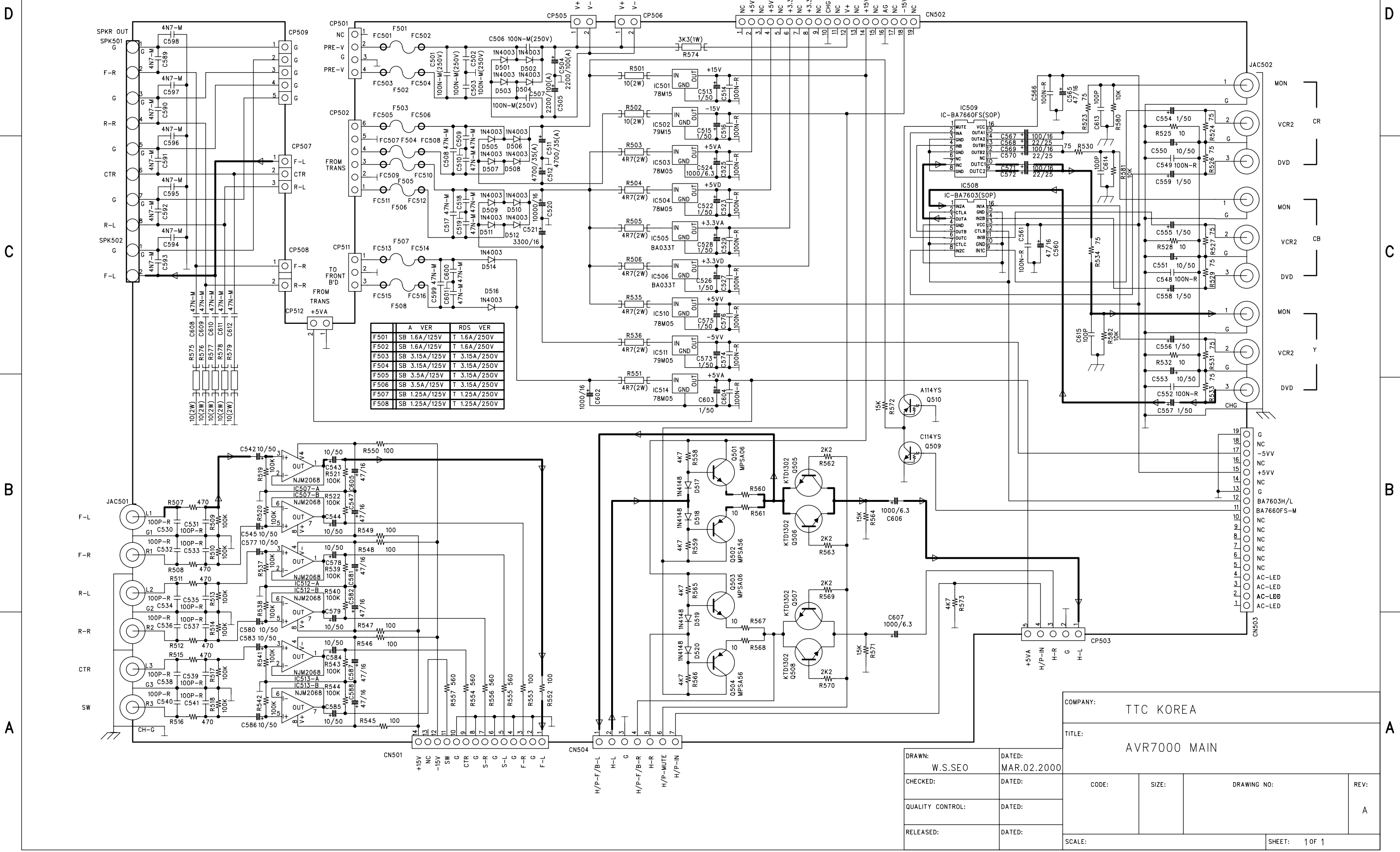
COMPANY:		TTC KOREA	
TITLE:		AVR7000 FRONT	
DRAWN:	DATED:	CODE:	SIZE:
W.S.SEO	MAR.02.2000		
CHECKED:	DATED:	DRAWING NO:	REV:
			A
QUALITY CONTROL:	DATED:	SCALE:	
		SHEET: 1 OF 1	

6 5 4 3 2 1

# SCHEMATIC DIAGRAM

harman/kardon  
AVR7000 MAIN B'D  
J4025100090B

REVISION RECORD			
LTR	ECO NO:	APPROVED:	DATE:



COMPANY:		TTC KOREA	
TITLE:		AVR7000 MAIN	
DRAWN:	W.S.SEO	DATED:	MAR.02.2000
CHECKED:		DATED:	
QUALITY CONTROL:		DATED:	
RELEASED:		DATED:	
CODE:	SIZE:	DRAWING NO:	REV:
			A
SCALE:	SHEET:		1 OF 1

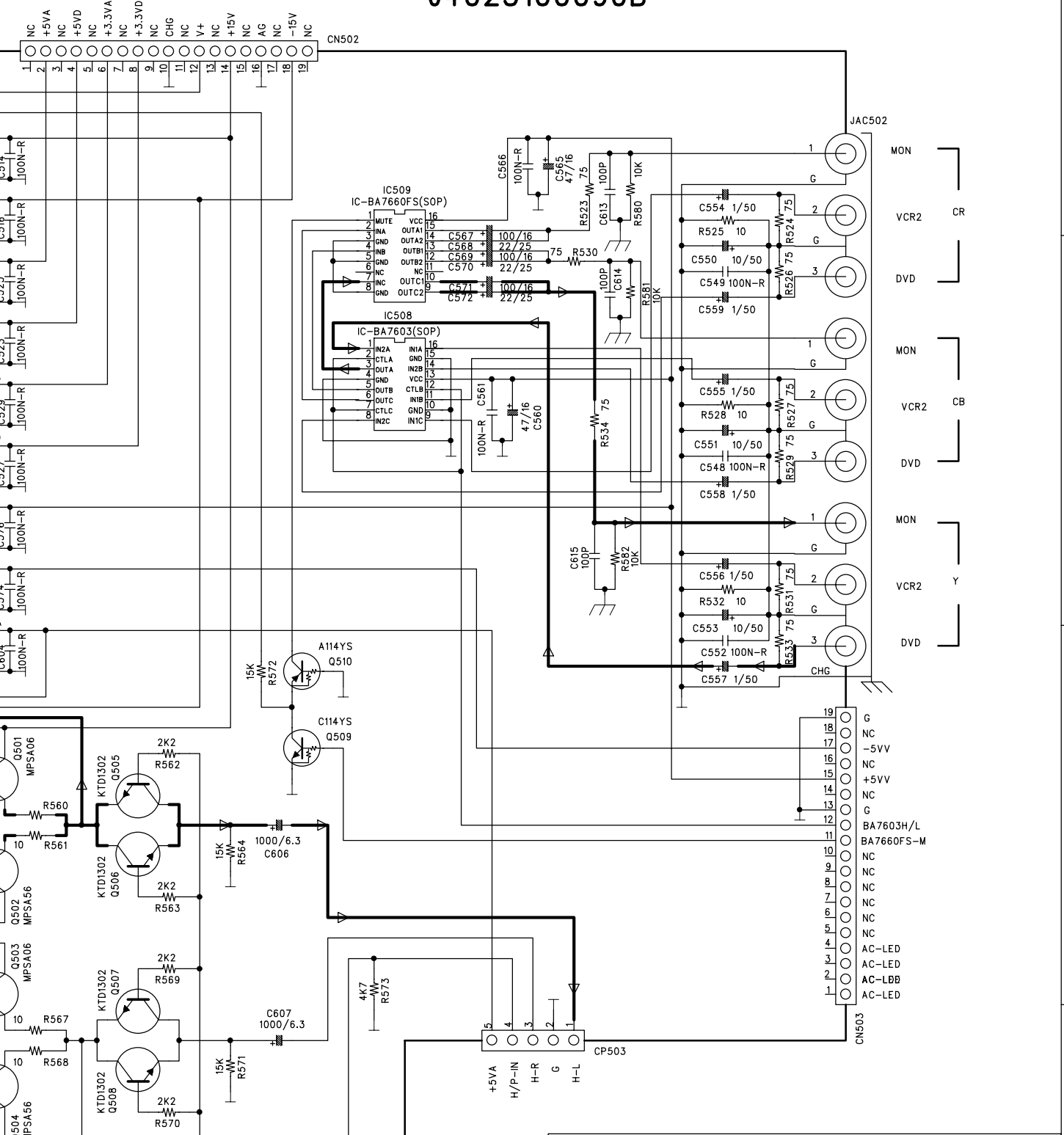




GRAM

# harman/kardon AVR7000 MAIN B'D J4025100090B

REVISION RECORD			
LTR	ECO NO:	APPROVED:	DATE:



D

C

B

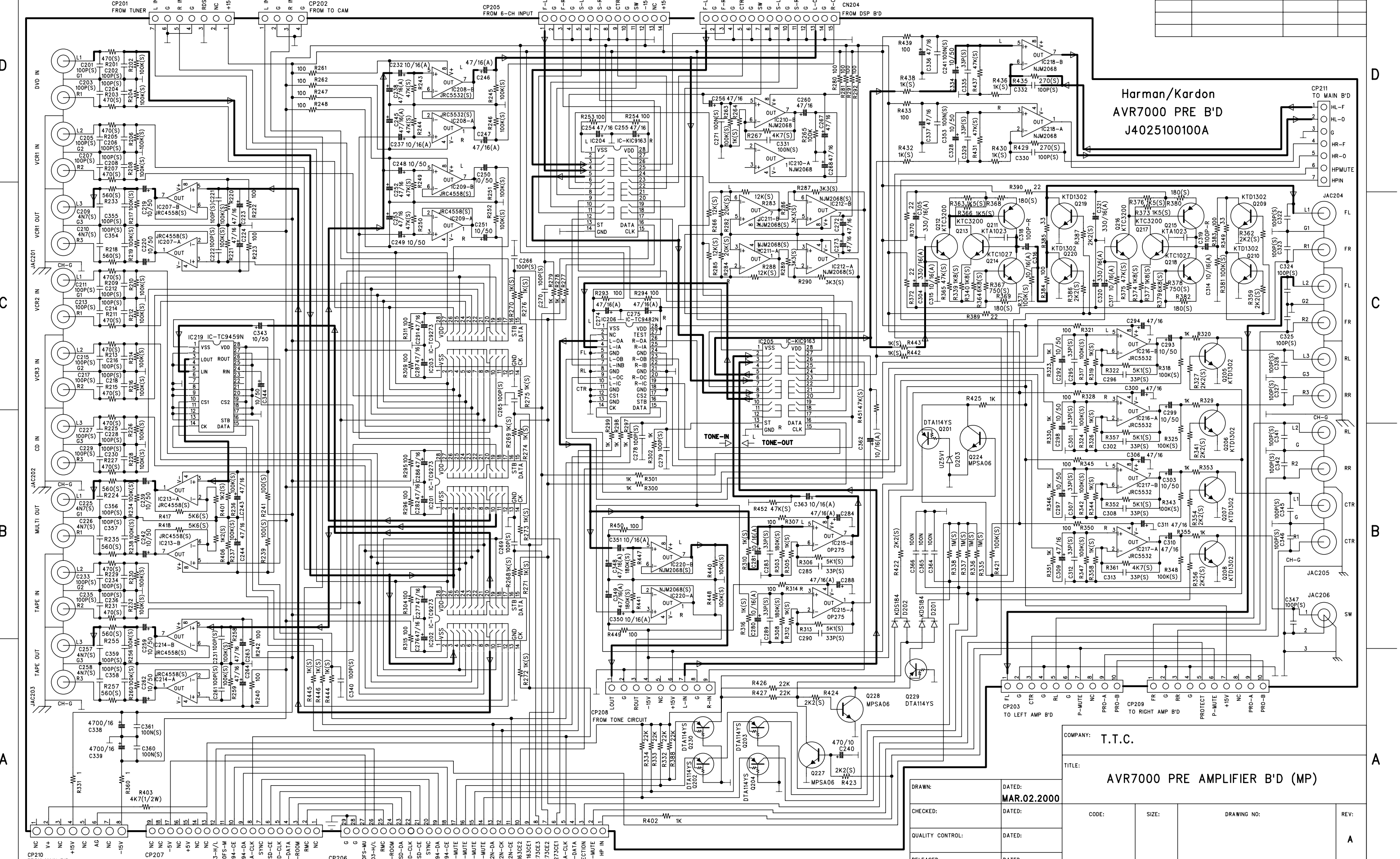
A

DRAWN: W.S.SEO	DATED: MAR.02.2000
CHECKED:	DATED:
QUALITY CONTROL:	DATED:
RELEASED:	DATED:

COMPANY: TTC KOREA			
TITLE: AVR7000 MAIN			
CODE:	SIZE:	DRAWING NO:	REV: A
SCALE:		SHEET: 1 OF 1	

# SCHEMATIC DIAGRAM

REVISION RECORD			
LTR	ECO NO:	APPROVED:	DATE:



**Harman/Kardon**  
**AVR7000 PRE B'D**  
**J4025100100A**

COMPANY: <b>T.T.C.</b>	
TITLE: <b>AVR7000 PRE AMPLIFIER B'D (MP)</b>	
DRAWN: <b>MAR.02.2000</b>	DATED: <b>MAR.02.2000</b>
CHECKED:	DATED:
QUALITY CONTROL:	DATED:
RELEASED:	DATED:
CODE:	SIZE:
DRAWING NO:	REV: <b>A</b>
SCALE:	SHEET: <b>1 OF 1</b>



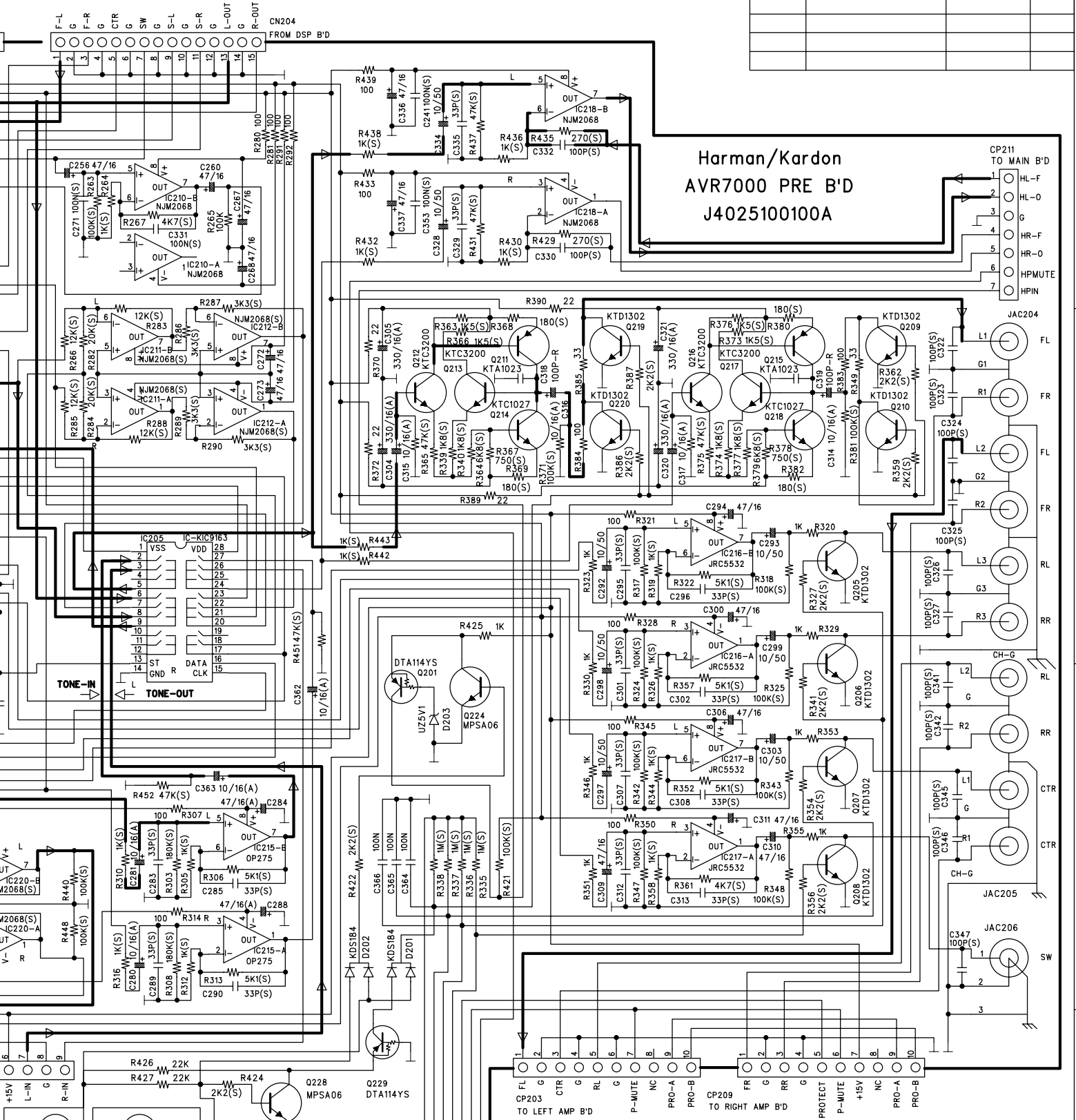
# DIAGRAM

3

2

1

REVISION RECORD			
LTR	ECO NO:	APPROVED:	DATE:



Harman/Kardon  
AVR7000 PRE B'D  
J4025100100A

D

C

B

A

COMPANY: T.T.C.		TITLE: AVR7000 PRE AMPLIFIER B'D (MP)	
DRAWN:	DATED: MAR.02.2000	CODE:	SIZE:
CHECKED:	DATED:	DRAWING NO:	REV: A
QUALITY CONTROL:	DATED:	SHEET: 1 OF 1	
RELEASED:	DATED:	SCALE:	

6

5

4

3

2

1

# SCHEMATIC DIAGRAM

REVISION RECORD			
LTR	ECO NO:	APPROVED:	DATE:

D

D

C

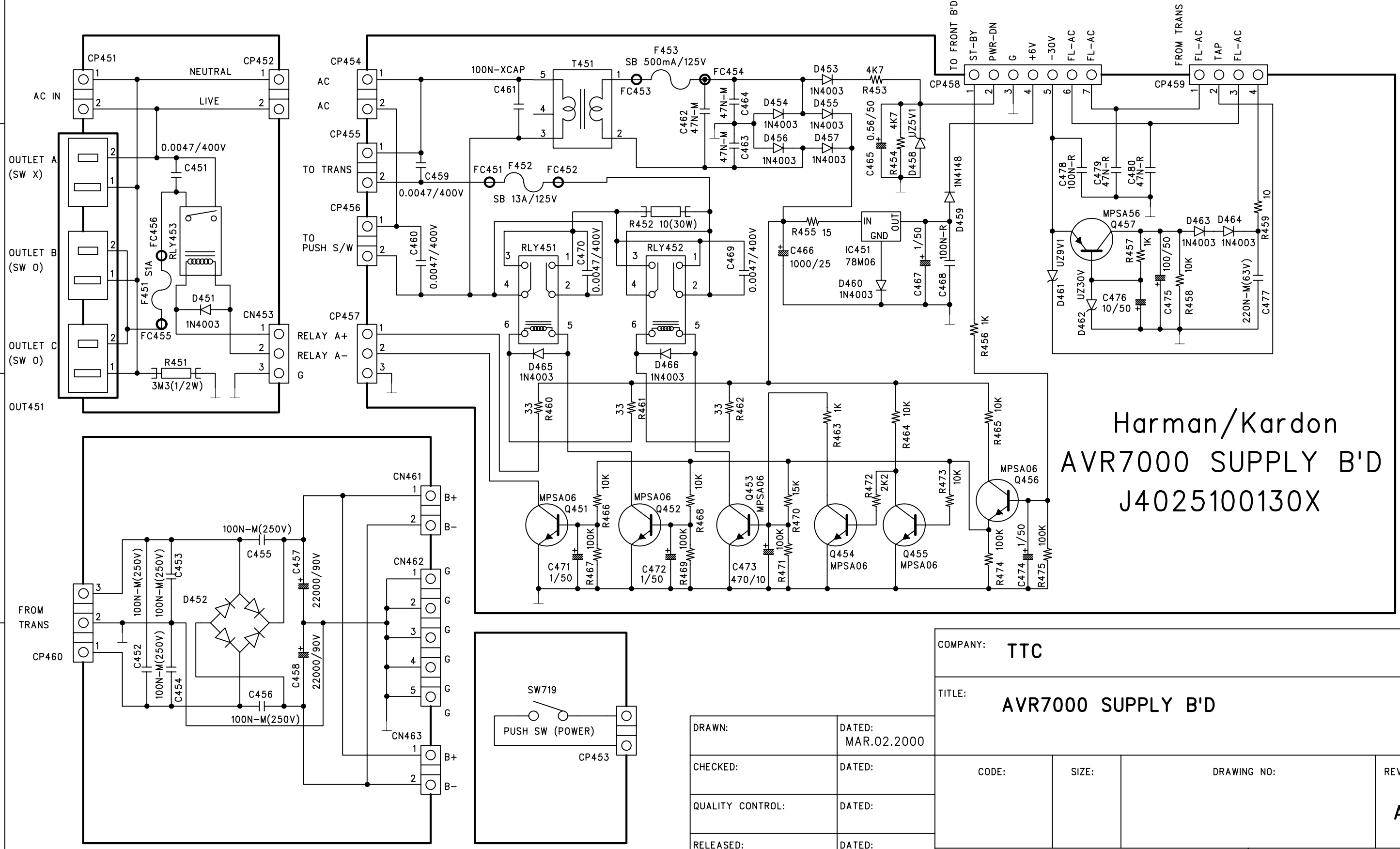
C

B

B

A

A

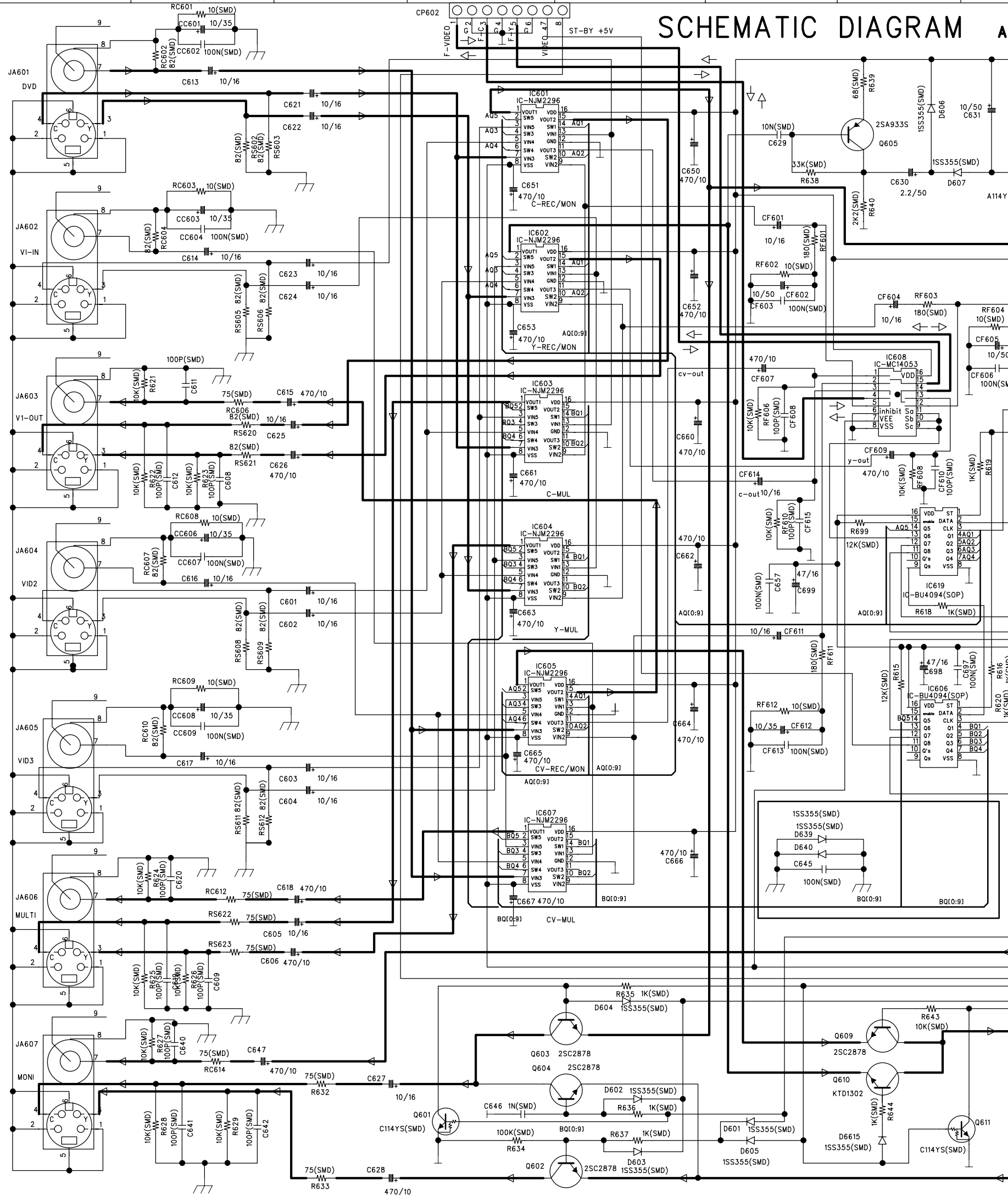


Harman/Kardon  
AVR7000 SUPPLY B'D  
J4025100130X

COMPANY: <b>TTC</b>			
TITLE: <b>AVR7000 SUPPLY B'D</b>			
DRAWN:	DATED: <b>MAR.02.2000</b>	CODE:	SIZE:
CHECKED:	DATED:	DRAWING NO:	
QUALITY CONTROL:	DATED:	REV: <b>A</b>	
RELEASED:	DATED:	SCALE:	
SHEET: <b>1 OF 1</b>			

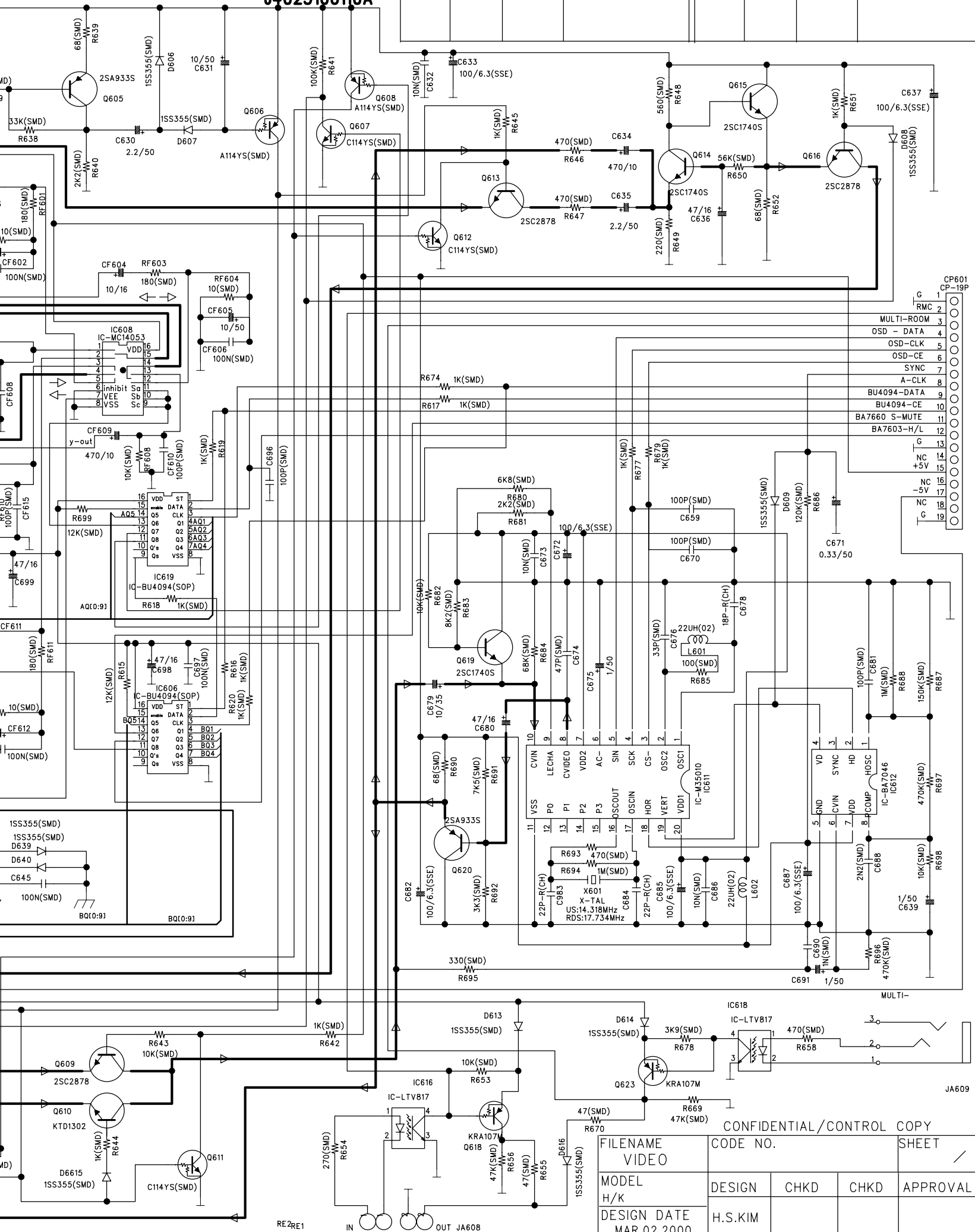


# SCHEMATIC DIAGRAM



# IC DIAGRAM

Harman/Kardon  
AVR7000 VIDEO B'D  
J4025100110A



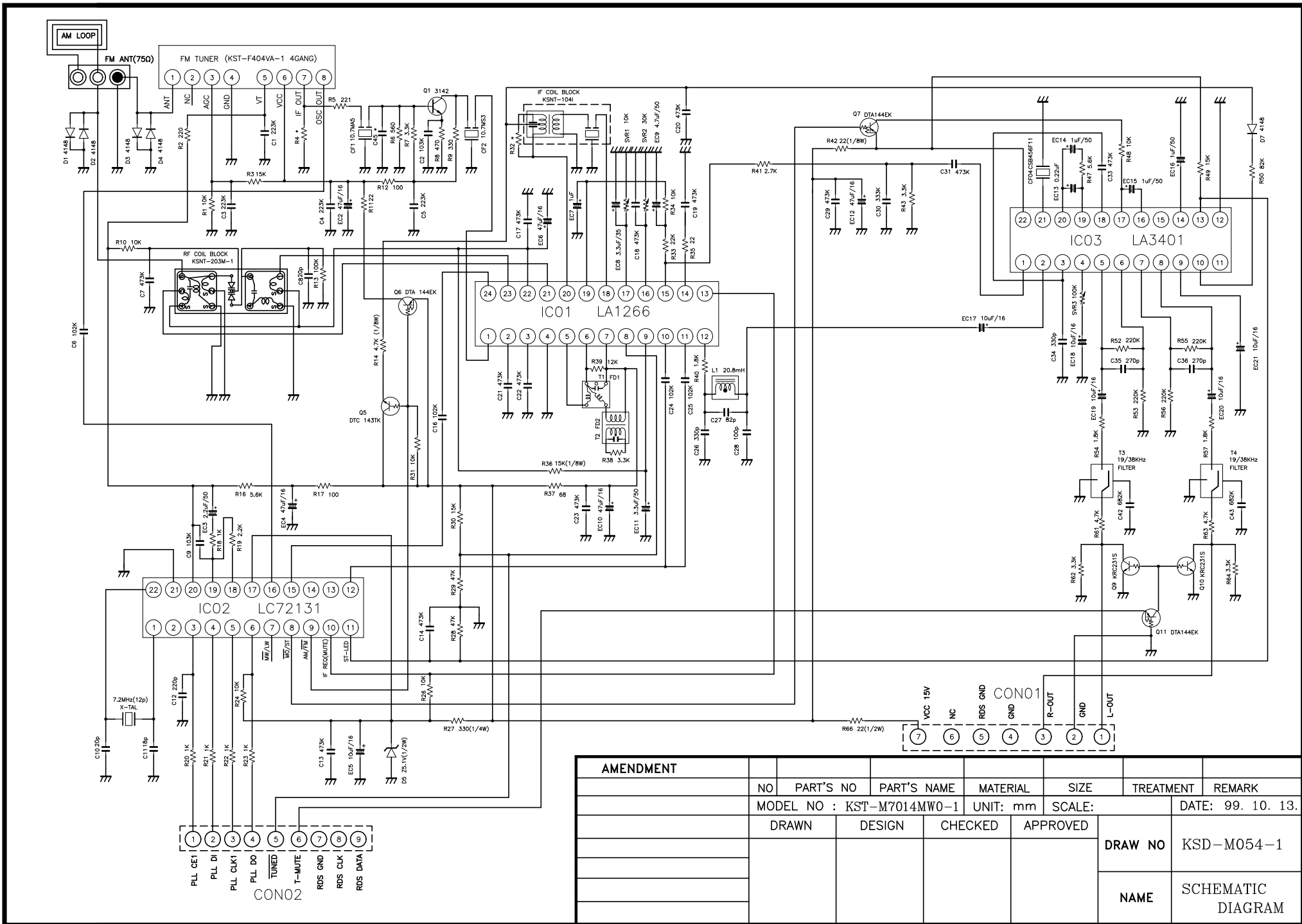
NO	DATE	POS.	CONTENTS	NO	DATE	POS.	CONTENTS

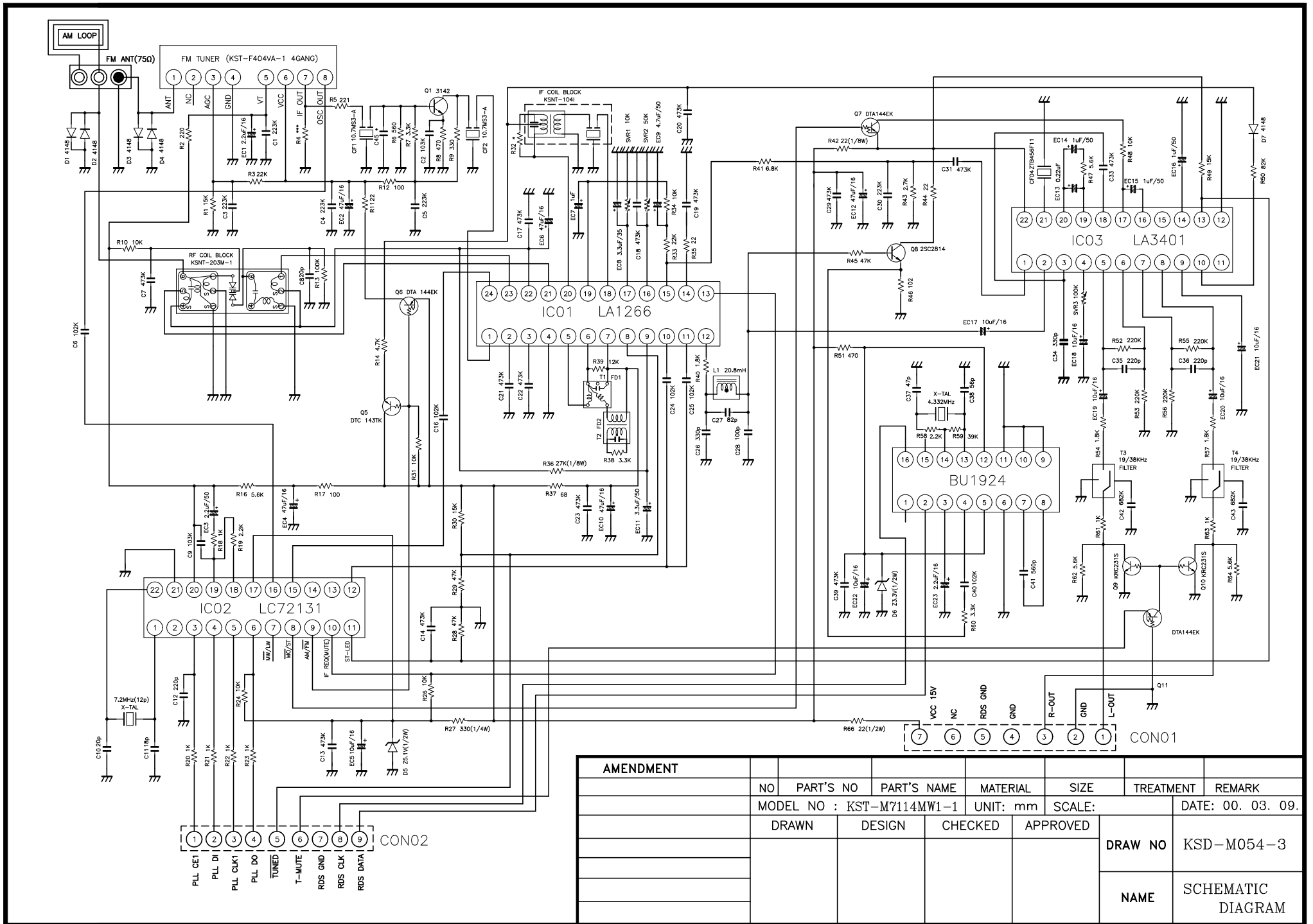
1	G
2	RMC
3	MULTI-ROOM
4	OSD - DATA
5	OSD - CLK
6	OSD - CE
7	SYNC
8	A - CLK
9	BU4094 - DATA
10	BU4094 - CE
11	BA7660 S - MUTE
12	BA7603 - H/L
13	G
14	NC
15	+5V
16	NC
17	-5V
18	NC
19	G

CONFIDENTIAL/CONTROL COPY		SHEET	
FILENAME VIDEO	CODE NO.		
MODEL H/K	DESIGN H.S.KIM	CHKD	APPROVAL
DESIGN DATE MAR.02.2000			

RE2RE1 IN OUT JA608

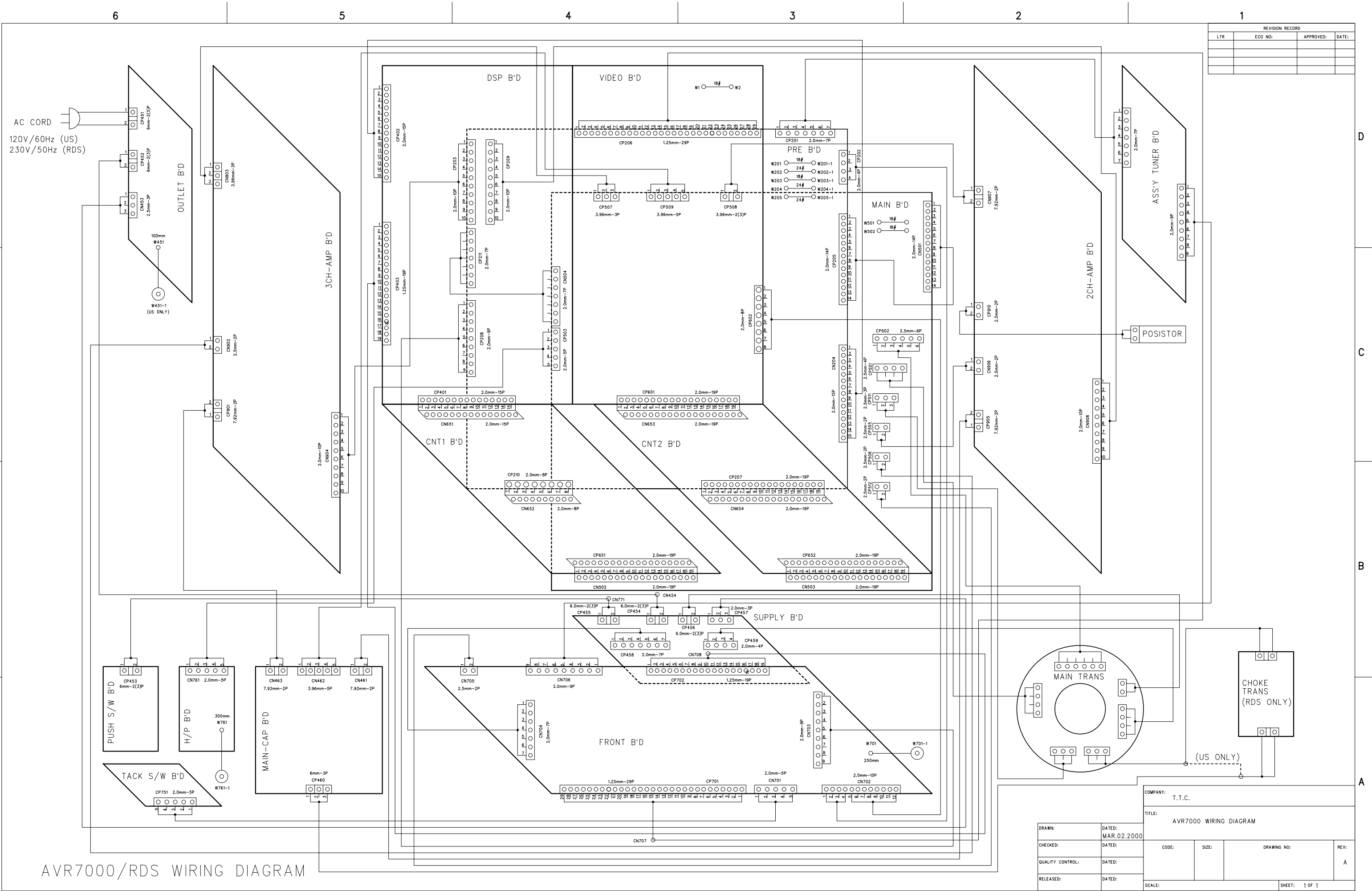






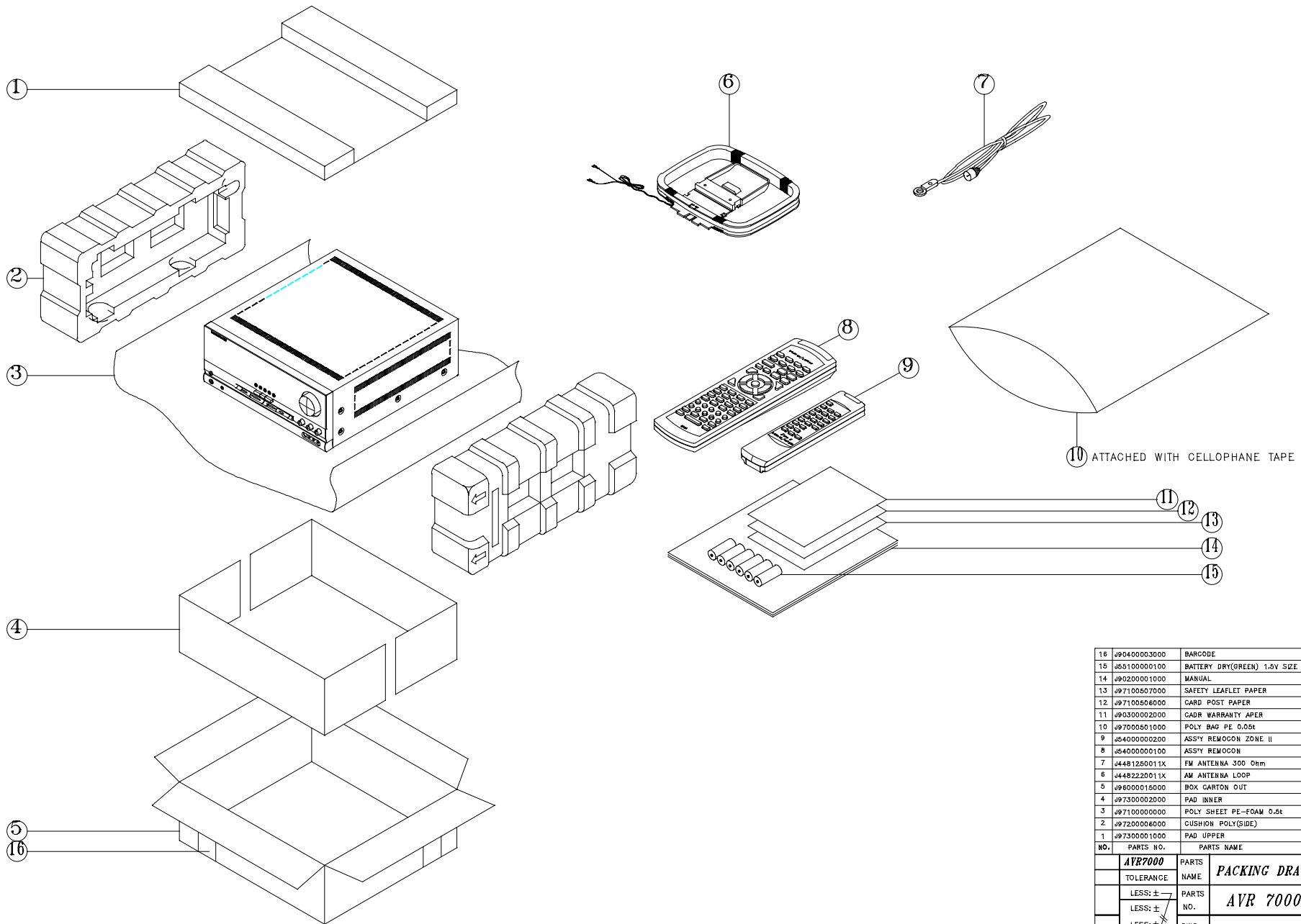
AMENDMENT							
NO	PART'S NO	PART'S NAME	MATERIAL	SIZE	TREATMENT	REMARK	
MODEL NO : KST-M7114MW1-1			UNIT: mm	SCALE:	DATE: 00. 03. 09.		
DRAWN		DESIGN	CHECKED	APPROVED	DRAW NO		KSD-M054-3
					NAME		SCHEMATIC DIAGRAM

REVISION RECORD			
LTR	ECO NO:	APPROVED:	DATE:



AVR7000/RDS WIRING DIAGRAM

DRAWN:		DATED: MAR.02.2000		COMPANY: T.T.C.	
CHECKED:	DATE:	CODE:	SIZE:	DRAWING NO:	REV: A
QUALITY CONTROL:	DATE:	SCALE:		SHEET: 1 OF 1	
RELEASED:	DATE:				



NO.	PARTS NO.	PARTS NAME	QTY
16	090400003000	BARCODE	2
15	058100000100	BATTERY DRY(GREEN) 1.5V SIZE AAA	6
14	090200001000	MANUAL	1
13	097100057000	SAFETY LEAFLET PAPER	1
12	097100056600	CARD POST PAPER	1
11	090300002000	CADR WARRANTY APER	1
10	097000051000	POLY BAG PE 0.05t	1
9	054000002000	ASSY REMOCCON ZONE II	1
8	054000000100	ASSY REMOCCON	1
7	04481250011X	FM ANTENNA 300 Ohm	1
6	04482225011X	AM ANTENNA LOOP	1
5	096000018000	BOX CARTON OUT	1
4	097300002000	PAD INNER	2
3	097100000000	POLY SHEET PE-FOAM 0.5t	1
2	097200006000	CUSHION POLY(SIDE)	2
1	097300000100	PAD UPPER	1
NO.	PARTS NO.	PARTS NAME	QTY
	<b>AVR7000</b>	PARTS NAME	<b>PACKING DRAWING</b>
	TOLERANCE	PARTS NO.	<b>AVR 7000 US</b>
	LESS: ±	DWG. NO.	
	LESS: ±		
	LESS: ±		
	LESS: ±		