



Models:

BassLink

BassLink (Remote Level Control Ready)

BassLink X

Powered Automotive Subwoofer

# SERVICE MANUAL



Infinity Systems, Inc.  
250 Crossways Park Dr.  
Woodbury, New York 11797

Rev 2 7/2003

# Contents

## *ALL MODELS BASSLINK*

|                                |   |
|--------------------------------|---|
| SPECIFICATIONS .....           | 2 |
| CONNECTIONS/APPLICATIONS ..... | 3 |
| TUNING BASSLINK.....           | 6 |
| TROUBLESHOOTING .....          | 7 |
| TEST SETUP PROCEDURE .....     | 8 |

## *BASSLINK (Original version without Remote Level Control jack)*

|                                   |    |
|-----------------------------------|----|
| SERVICE BULLETIN INF2000-03 ..... | 10 |
| EXPLODED VIEW .....               | 11 |
| MECHANICAL PARTS LIST .....       | 12 |
| BLOCK DIAGRAM .....               | 13 |
| PCB DRAWINGS .....                | 14 |
| ELECTRICAL PARTS LIST .....       | 24 |
| SCHEMATICS .....                  | 29 |
| PACKAGING .....                   | 31 |

## *BASSLINK or BASSLINK X (Versions with Remote Level Control jack)*

|                                   |    |
|-----------------------------------|----|
| SERVICE BULLETIN INF2003-01 ..... | 33 |
| EXPLODED VIEW .....               | 34 |
| MECHANICAL PARTS LIST .....       | 35 |
| BLOCK DIAGRAM .....               | 36 |
| PCB DRAWINGS .....                | 37 |
| ELECTRICAL PARTS LIST .....       | 44 |
| SCHEMATICS .....                  | 50 |
| PACKAGING .....                   | 54 |

## *ALL MODELS BASSLINK*

|                                   |    |
|-----------------------------------|----|
| INTEGRATED CIRCUIT DIAGRAMS ..... | 55 |
|-----------------------------------|----|

## Specifications

### BASSLINK/BASSLINK w/ Remote Level Control/BASSLINK X

|   |   |
|---|---|
| Amplifier Power:                                | 200W RMS @10% THD<br>120W RMS @1% THD   |
| Frequency Response:                             | 20Hz – 120Hz  |
| THD @ 30W                                       | 1.0%  |
| Input Sensitivity:                              | 50mV – 4V    Line-Level Input<br>1V – 16V    Universal Interface                |
| Maximum Input Sensitivity<br>(Gain level @ Max) | 7mV    Line-Level Input<br>120mV    Universal Interface                         |
| Crossover Frequency:                            | 50Hz – 120Hz  |
| Crossover Slope:                                | 12dB/octave   |
| Bass Boost:                                     | –6 to +3 dB @ 40Hz  |
| Signal-Noise Ratio                              | 65dB (Wide band w/ 22K LPF)   |
| Max Gain Level Noise<br>(Level pot Max.)        | 3.0 mV Basslink<br>1.8 mV Basslink w/ Remote Level Control<br>1.8 mV Basslink X |
| Max Gain Level Noise<br>(Level pot Min.)        | 2.0 mV Basslink<br>1.7 mV Basslink w/ Remote Level Control<br>1.7 mV Basslink X |
| Auto On/Off Time                                | From 1 1/2 to 5 min.<br>(depending on last input signal level)                  |
| Gain boost (min to max)                         | 9.0 dB  |
| Fuse:   | 25A    Basslink<br>20A    Basslink w/ Remote Level Control<br>20A    Basslink X |
| Maximum Current Draw:                           | 12A   |
| Quiescent Current Draw:                         | <800 mA   |
| Protection Circuits:                            |   |
| Over/Under voltage                              | 17.5, 8.5 VDC   |
| Temperature                                     | 95° C   |
| Short Circuit                                   | w/ 0.1 $\Omega$ resistor  |
| DC Offset                                       | Yes   |
| Dimensions:                                     | 14-1/2" x 12-1/2" x 8-1/2" (L x W x H)<br>(369mm x 318mm x 216mm)               |
| Weight  | 16 lbs./7.2kg   |

Note: For the original version Basslink without the AUTO OFF/ON switch and Optional Sub Level Control, references to these items in the Connections, Applications and Controls sections can be ignored - all other information is valid.

## POWER CONNECTIONS

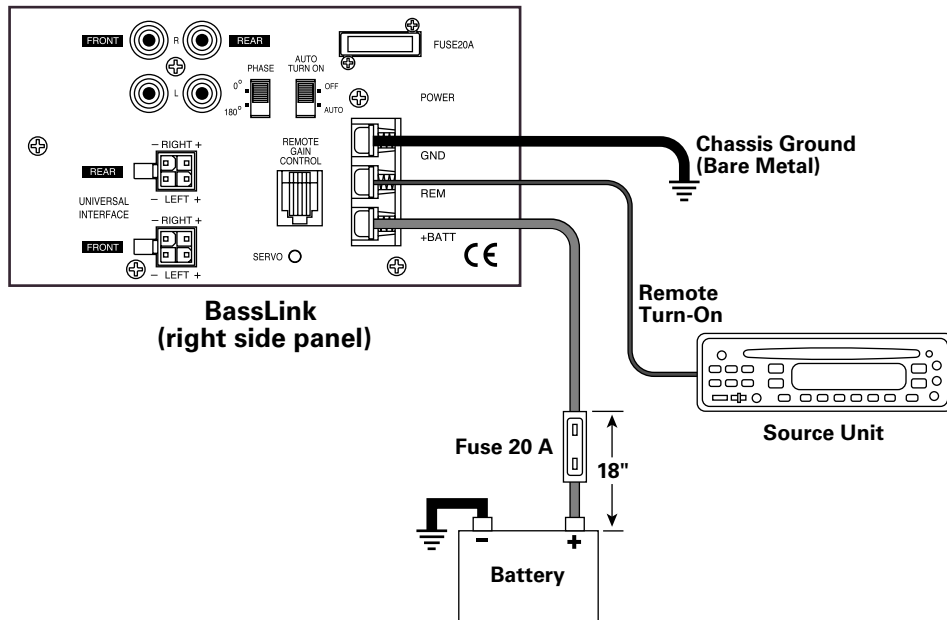
Connect power to BassLink, as shown in Figure 5. Also observe these installation tips:

- Use at least #12 AWG wire for the +BATT (+12 Vdc) and GND (ground) connections. If needed, use at least a #20 AWG wire for the REM (remote) connection.
- Route all power wires through a grommet in the vehicle's firewall. If a factory grommet is unavailable, install one.
- Connect a short GND wire from BassLink to the nearest bare metal surface. For a good connection, scrape away paint from the metal surface and use a screw with a lock (star) washer.

- Install a fuse holder with a 20 A fuse within 18" of the battery + terminal (see Figure 5).
- The REM connection requires +5 to +12 Vdc signal for BassLink to turn on remotely. Most head units with preamp outputs provide this remote voltage signal. For speaker-level applications, a remote connection is not required, since BassLink's Auto Turn-On feature will sense voltage on the speaker wires to automatically turn on BassLink.

**IMPORTANT:** To enable BassLink's Auto Turn-On feature, set **AUTO TURN-ON** to the **AUTO** position (see Figure 12 on page 6).

Figure 5. Power connections for BassLink.



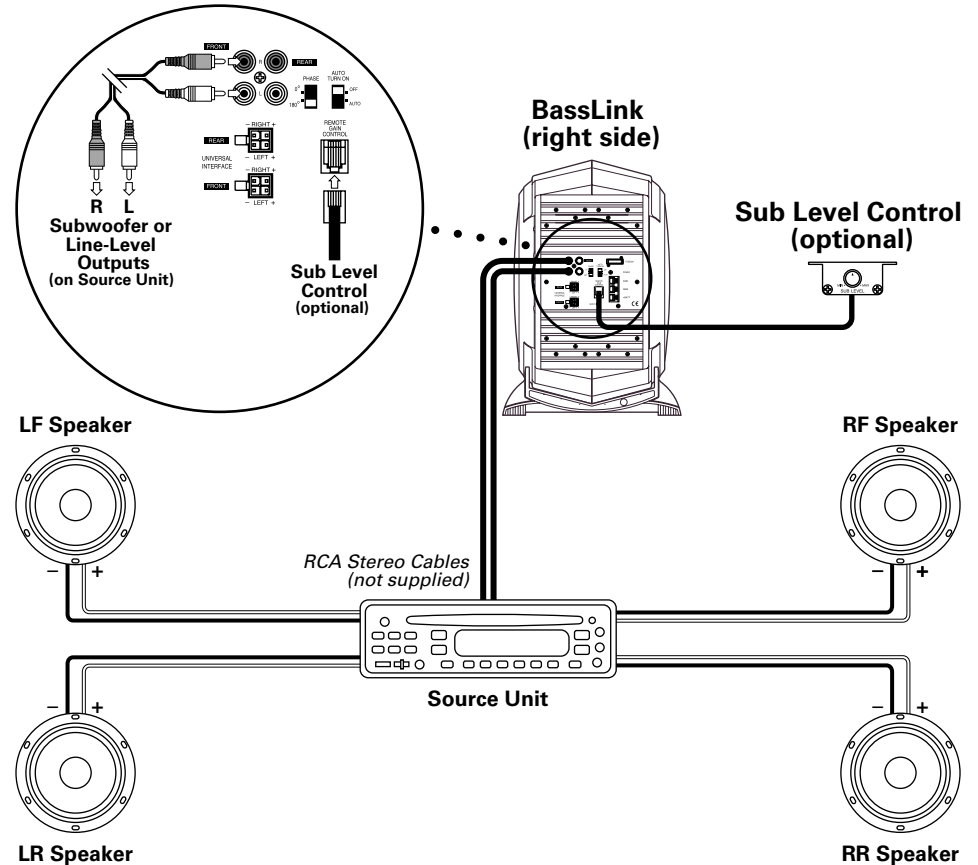
## APPLICATIONS

BassLink is equipped with four line-level (RCA) inputs and four speaker-level inputs. Any combination of line-level and speaker-level inputs may be used to provide nonfading bass when connected to a head unit with four outputs.

To help you plan your installation, we included five system applications in Figures 6 through 10 on pages 3 through 5. For more system ideas, see your authorized Infinity car-audio dealer.

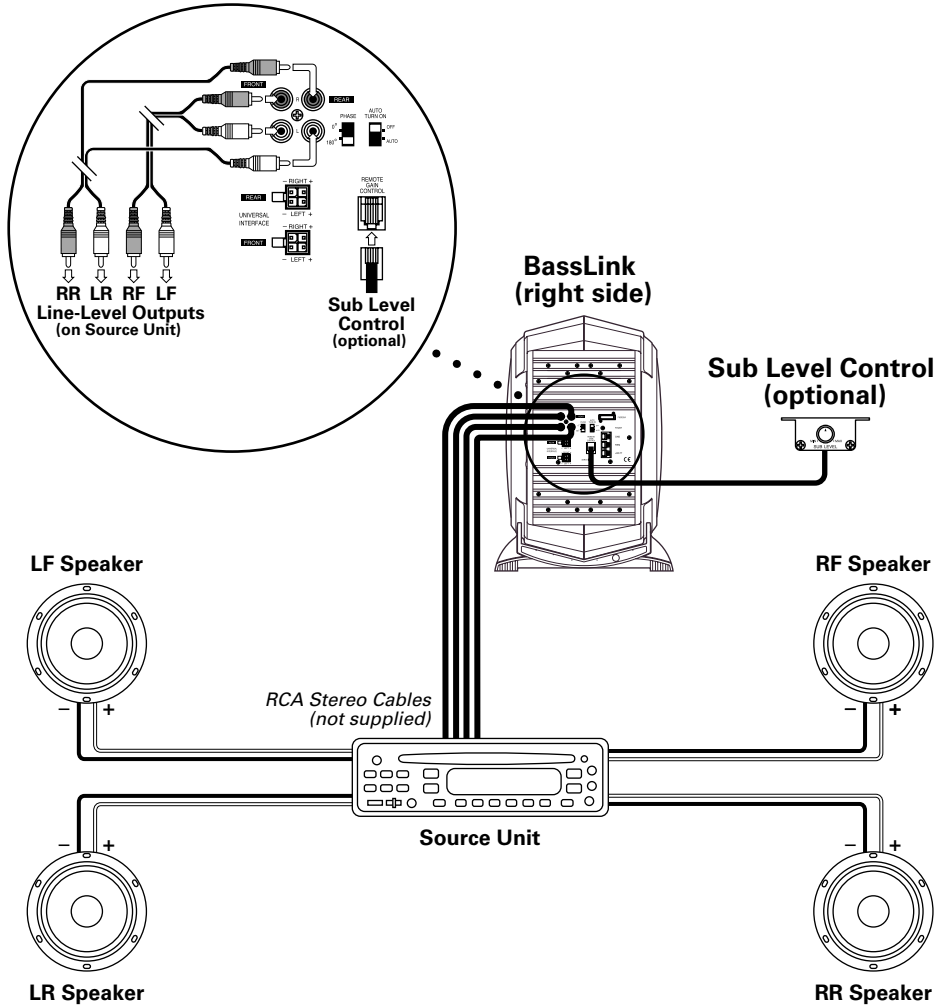
*Note: The applications show the optional remote SUB LEVEL control which installs under the dashboard for easy in-car bass level adjustments.*

Figure 6. BassLink audio connections for a head unit with two line-level or subwoofer (RCA) outputs.

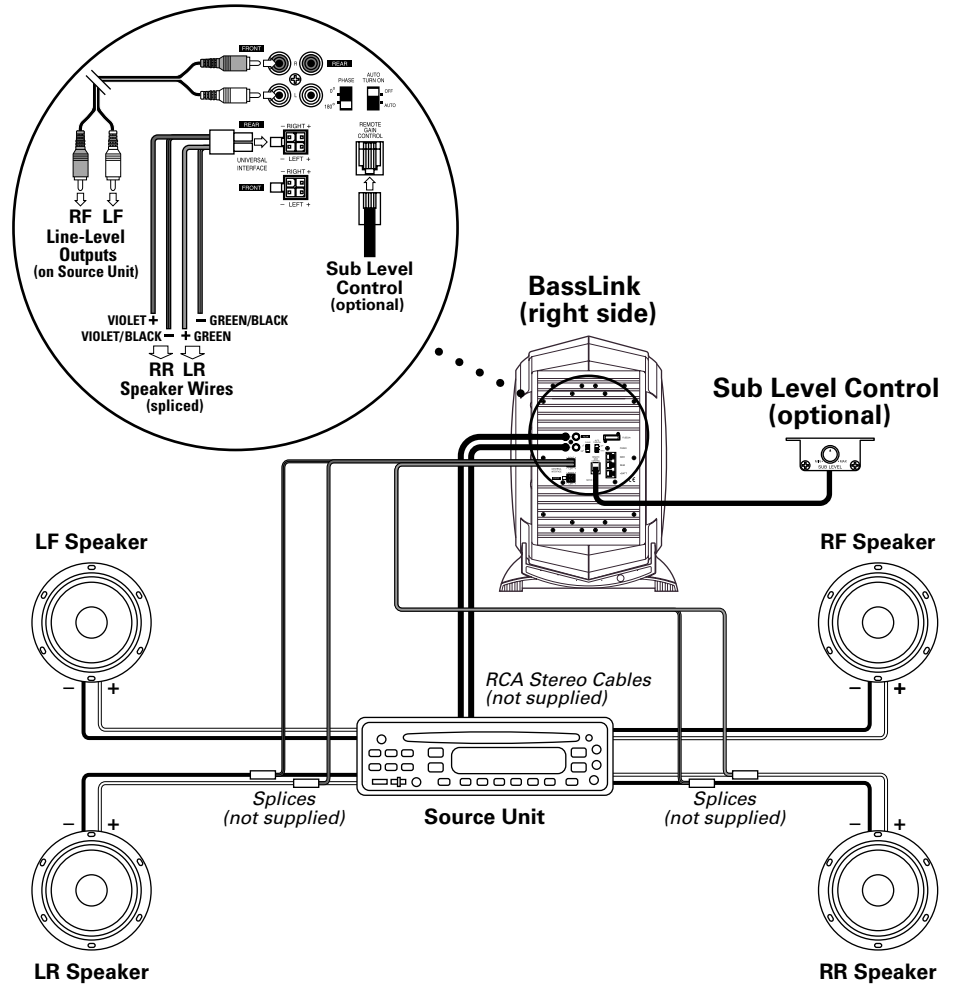


## APPLICATIONS (CONTINUED)

**Figure 7.** BassLink audio connections for a head unit equipped with four line-level (RCA) outputs.

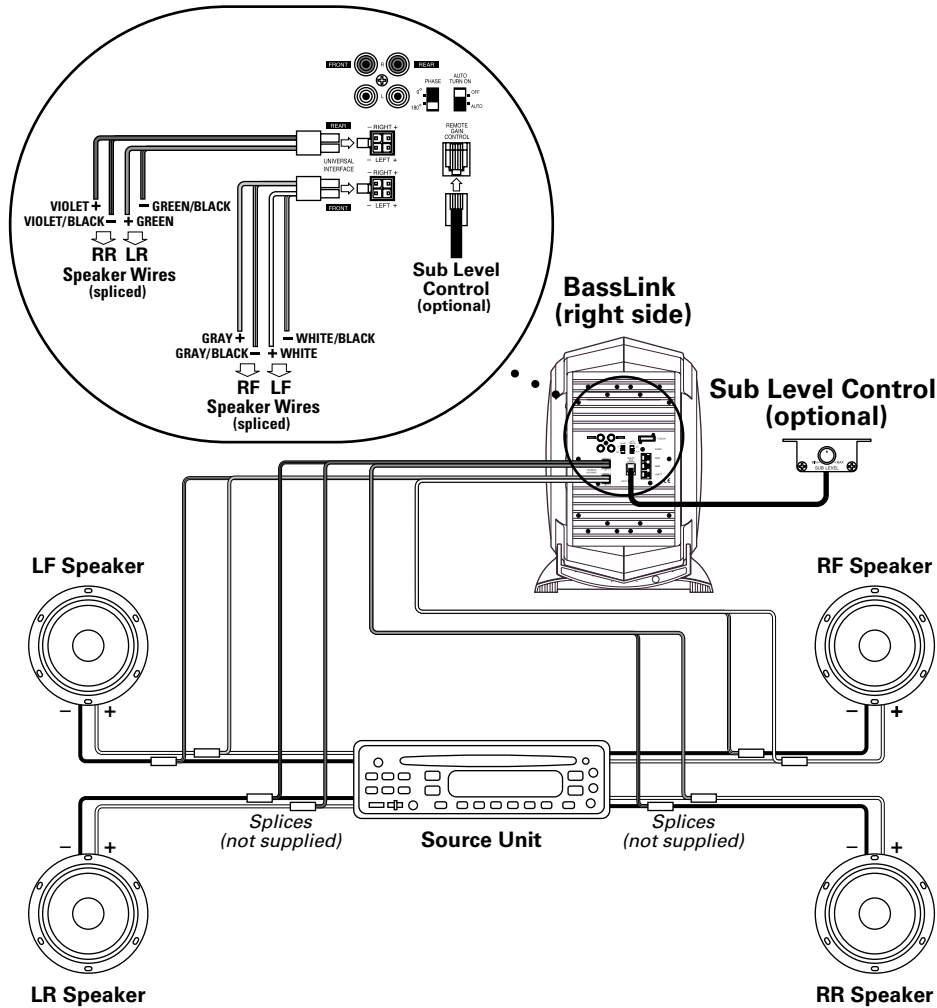


**Figure 8.** BassLink audio connections for a head unit equipped with two line-level (RCA) outputs and two speaker-level outputs.

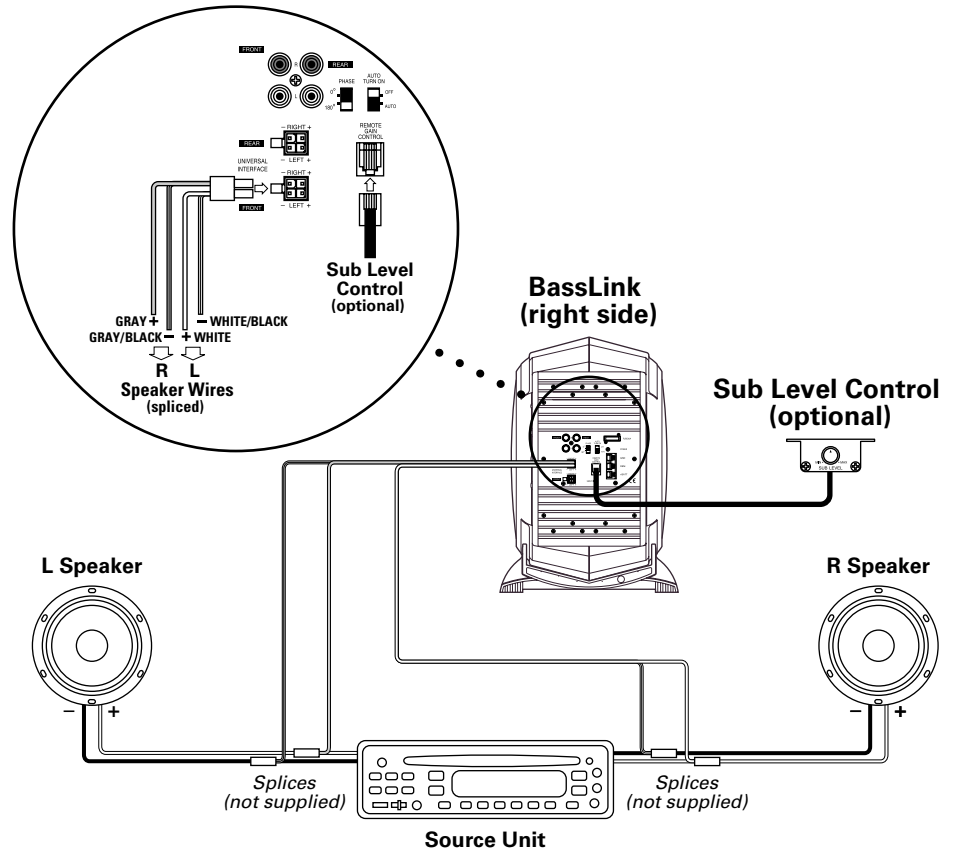


## APPLICATIONS (CONTINUED)

**Figure 9.** BassLink audio connections for a head unit equipped with four speaker-level outputs.



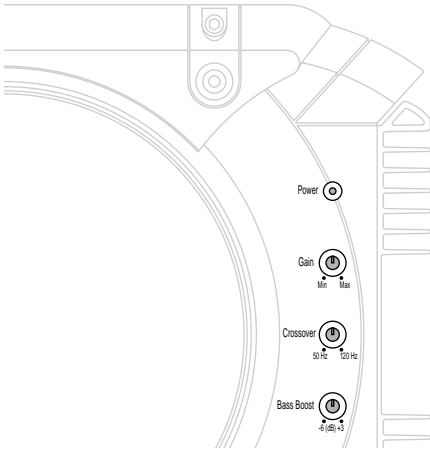
**Figure 10.** BassLink audio connections for a head unit equipped with two speaker-level outputs.



## CONTROLS AND FUNCTIONS

BassLink provides several controls and indicators that simplify sonic integration with virtually any vehicle's unique acoustic properties. They are located on the front and side panels, as shown in Figures 11 and 12.

**Figure 11.** BassLink controls on the front panel.



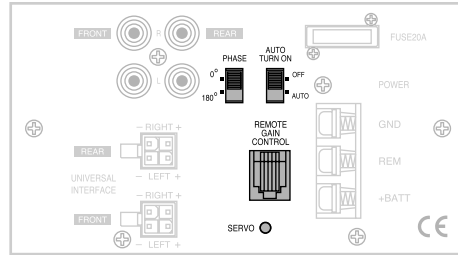
**POWER LED:** This indicator will glow red when BassLink is operational. (Blue on Basslink X)

**GAIN Control:** Use this control to adjust the relative volume (loudness) of BassLink with respect to the other speakers in the vehicle.

**CROSSOVER:** Use this control to adjust the amount of high-frequency information present in BassLink's output. A lower value signifies less high frequencies will be amplified.

**BASS BOOST:** Use this control to correct any perceived peak or dip in the bass response (typically around 40Hz in most vehicles). Set the control to any value between -6dB and +3dB, according to what sounds best.

**Figure 12.** BassLink controls on right side panel.



**PHASE Control:** Use this switch to reverse the phase of BassLink's output with respect to its input. Choose the position (0° or 180°) that sounds the best.

*Note: Depending on BassLink's orientation and location in a vehicle, reversing the phase may (or may not) increase or decrease the amount of upper bass being reproduced.*

**AUTOTURN-ON:** For speaker-level connections, use this switch to activate (or deactivate) BassLink's automatic turn-on circuit. For most speaker-level applications, slide the switch to AUTO. However, if your system produces false turn-on signals or uses a remote (REM) connection, slide the switch to OFF.

**REMOTE GAIN CONTROL:** Use this RJ-11 jack to connect the optional remote SUB LEVEL control.

**SERVO LED:** This indicator glows green when the subwoofer is at maximum excursion and the amplifier is modifying the output to maintain maximum performance. Be sure to monitor this indicator during BassLink setup (see *Tuning BassLink*). When properly tuned, the SERVO LED should light momentarily during high-level bass transients. Avoid adjustments that cause the LED to remain lit for extended periods.

## TUNING BASSLINK

1. Make sure the head unit is off and its volume control is set to minimum.
2. On BassLink's front panel, initially set all controls to their midpoint positions, as shown in Figure 11. On BassLink's side panel, initially set PHASE to 0° and AUTO TURN-ON to AUTO, as shown in Figure 12.
3. Turn on the head unit and play a favorite music track that has substantial bass. Set the volume control to 75 percent of the total output (approximately 3 o'clock on rotary controls).
4. Adjust the GAIN control clockwise until the SERVO LED (on BassLink's side panel) begins to flash with each bass note but doesn't stay lit continuously.
5. Listen to your system, making a mental note of the amount of upper bass being reproduced.
6. Switch the PHASE control to 180° and listen again for upper bass content. There may be more upper bass, less upper bass, or no change at all. The position that provides the most upper bass is correct, but choose either setting according to your taste.
7. Adjust the CROSSOVER control clockwise or counterclockwise until you hear only low-frequency information. For example, you should NOT hear any vocals coming from BassLink when seated in the normal listening position.
8. Adjust the BASS-BOOST control clockwise or counterclockwise to suit your taste.
9. Recheck the SERVO LED to make sure it's flashing in time with the bass but is not lit continuously. If it is lit continuously, adjust the GAIN control counterclockwise until the SERVO LED only flashes.

*Note: In most cases, the above steps will provide satisfactory tuning. However, the actual process may require several readjustments of each control, since the settings will interact with each other. If necessary, consult your authorized Infinity car audio dealer for help in tuning your system.*

## TROUBLESHOOTING

• **PROBLEM:**

POWER LED not lit.

CAUSES and SOLUTIONS:

1. Fuse is blown and needs replacement.
2. Head unit not functioning properly. Check remote voltage, and power, ground or remote connections.

• **PROBLEM:**

POWER LED is lit but there is no bass.

CAUSES and SOLUTIONS:

1. Inputs are not connected. Check connections.
2. Head-unit fader control is not set properly. Adjust head-unit fader control to feed audio signals to BassLink.

• **PROBLEM:**

BassLink sounds muddy or distorted.

CAUSES and SOLUTIONS:

1. Gain is set too high and SERVO LED is lit constantly. Readjust GAIN control (see *Tuning BassLink* on the previous page).
2. Bass is set too high. Readjust BASS BOOST control (see *Tuning BassLink* on the previous page).
3. Head-unit output is distorted or blown. See your authorized Infinity car audio dealer.

• **PROBLEM:**

No output from BassLink when head-unit fader control set to front or rear (in a 4-channel connection).

CAUSE and SOLUTION:

Input connections are improperly wired. Verify all connections (see *Applications* section)

**APPLICABLE TO BASSLINK WITH LEVEL CONTROL JACK AND BASSLINK X ONLY:**

• **PROBLEM:**

BassLink turns on before head unit is completely on and produces a “thump” sound.

CAUSE and SOLUTION:

For speaker-level connections, head unit is producing a false turn-on signal. On BassLink’s side panel, slide AUTO TURN-ON to OFF.

• **PROBLEM:**

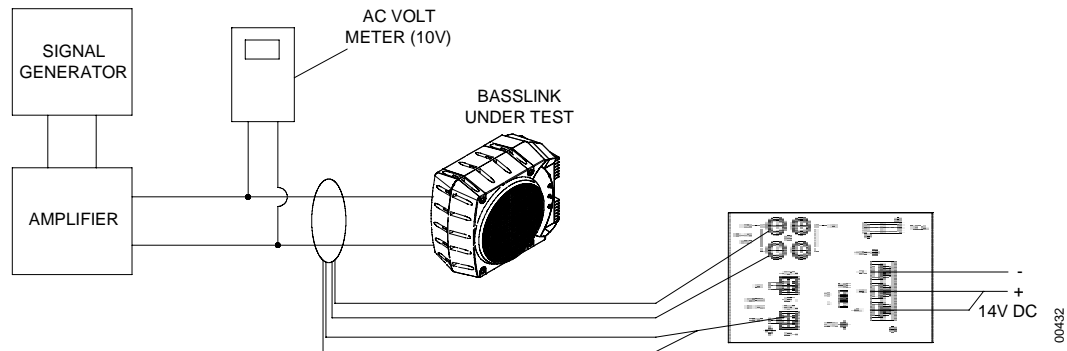
BassLink’s POWER LED remains on after head unit is turned off.

CAUSE and SOLUTION:

For speaker-level connections, this is normal operation when AUTO TURN-ON is set to ON. BassLink will remain on another 5 to 10 minutes after sensing that audio signals are not present before shutting down. If you prefer immediate shut-down, set AUTO TURN-OFF to OFF.



## Test Set Up Procedure



### Equipment needed:

- Function/signal generator/sweep generator
- Integrated/Power Amplifier (capable of driving 2 ohm loads)
- 14 volt DC power supply 20A or greater with current-limit protection
- Multimeter
- RCA cable, Universal Interface molex connector, Speaker cables

### General Unit Function (UUT = Unit Under Test)

#### Switch/Controls:

GAIN control full counterclockwise (Min)  
 CROSSOVER full clockwise (120 Hz)  
 BASS BOOST at center (12 o'clock)  
 PHASE, AUTO-ON - either position

- 1) From the signal generator, connect one line level (RCA) cable to the Basslink Line Level Input jacks (Front,L/R) on the UUT. Use a Y-cable from a mono source if necessary to connect to both inputs.
- 2) Turn on generator, adjust to **100mV, 40 Hz**.
- 3) Attach 14v DC source to Power terminals on UUT, including +14v to Remote connection. Red LED should ON. Turn LEVEL control full clockwise (Max)
- 4) Bass response should be heard and felt. Green servo light should not be illuminated.
- 5) Adjust the generator to **175mV, 40 Hz**. Green servo light should turn ON. **DO NOT DRIVE THE BASSLINK FOR MORE THAN A FEW SECONDS AT THIS LEVEL OR THE UUT MAY GO INTO THERMAL PROTECTION**
- 6) Turn off generator, turn GAIN control fully counterclockwise, disconnect RCA cable.
- 7) Optional: Attach the Universal Interface molex connector (Infinity part# 162A600D001) to the Basslink Universal Interface Jack (Front,L/R) on the UUT. Both front/rear negative wires should be twisted and connected together; positive wires should be treated likewise. Cables should be connected to an integrated amplifier fed by the signal generator.
- 8) Turn on generator and adjust so that speaker level input at the amplifier is **275mV, 40 Hz**. Turn GAIN control full clockwise.
- 9) Bass response should be heard and felt. Green servo light should not be illuminated.
- 10) Adjust the generator to **500mV, 40 Hz**. Green servo light should be ON. **DO NOT DRIVE THE BASSLINK FOR MORE THAN A FEW SECONDS AT THIS LEVEL OR THE UUT MAY GO INTO THERMAL PROTECTION**

### Sweep Function

- 1) Follow steps 1-3 above, using a sweep generator as a signal source – adjust the generator to **50mV, 40 Hz**.
- 2) Sweep generator from 20Hz to 300Hz. Listen for any rattles, clicks, buzzes or any other noises. If any unusual noises are heard, test woofer according to the instructions below.

### Driver Function

- 1) Remove amplifier from the enclosure; (instructions in bulletin INF2000-03 page 8); detach connector M101 two-wire molex on the main amplifier PCB.
- 2) Check DC resistance of woofer; it should be **2.3 ohms ±10%**
- 3) Connect a pair of speaker cables to woofer terminals. Cables should be connected to an integrated amplifier fed by a signal generator. Turn on generator and adjust so that speaker level output is **6.0V**.
- 4) Sweep generator from 20Hz to 1kHz. Listen to driver for any rubbing, buzzing, or other unusual noises.

# Basslink

(Original version without remote  
level control jack)

To: All Infinity Service Centers

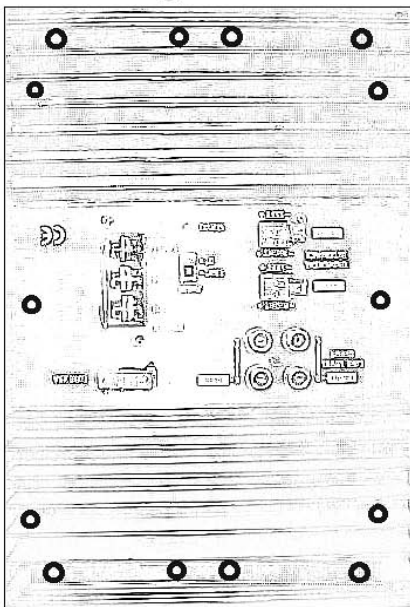
Model: Basslink (version w/o AUTO-ON switch or REMOTE GAIN)

Subject: Unit will not turn off

**In the event you receive a Basslink subwoofer with the complaint: "The unit will not turn off, even when the audio signal is removed, and the Remote power connection is switched off" (indicated by the Basslink's red LED remaining ON), perform the following modification:**

- 1) Set the unit on a padded surface and remove all external cables.
- 2) On the amplifier faceplate, remove *only* the (14) Phillips mounting screws as shown in Figure 1.
- 3) Remove the amplifier assembly from the enclosure. If the amp is turned around and supported correctly, no other connectors need to be unplugged.
- 4) Add these two components:  
 1.0 Meg ohm 1/8W resistor, Infinity part# **299-1M**  
 .01uf, 100v mylar capacitor, Infinity part# **140-PF2A103F**
- 5) Solder these parts in parallel (See Figure 2); and attach to original location shown (See Figure 3), which is in a narrow cavity between main power supply caps and transformer T101. There are two empty pads on the PCB for these parts with marked designators R272 and C273.
- 6) New gaskets must be added to the amplifier mating surface; two pairs are required, four gaskets total: Infinity part# **723D150** and **#723C150**
- 7) Replace the amplifier assembly and tighten all mounting screws. Use caution; a hand tool is recommended to prevent stripping the threads in the enclosure.
- 8) Connect +12v to the unit and a signal cable, after the unit cycles ON, (red LED should be lit), remove the signal and remote connection only (or shut off the music source if using the Universal Interface). Unit should turn OFF after 3 - 10 minutes (as indicated by the red LED turning OFF).

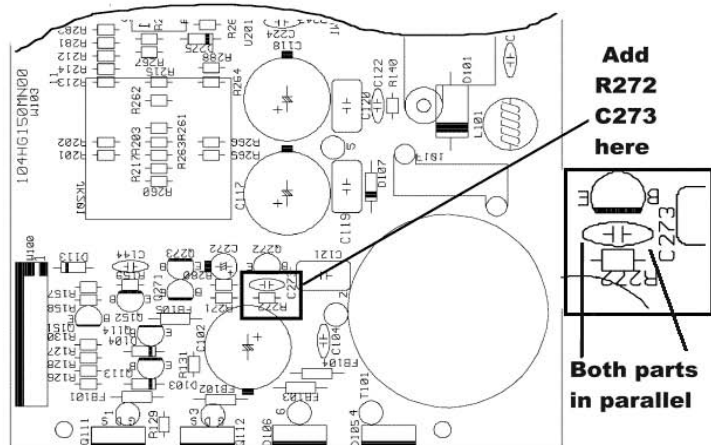
**Figure 1**



**Figure 2**

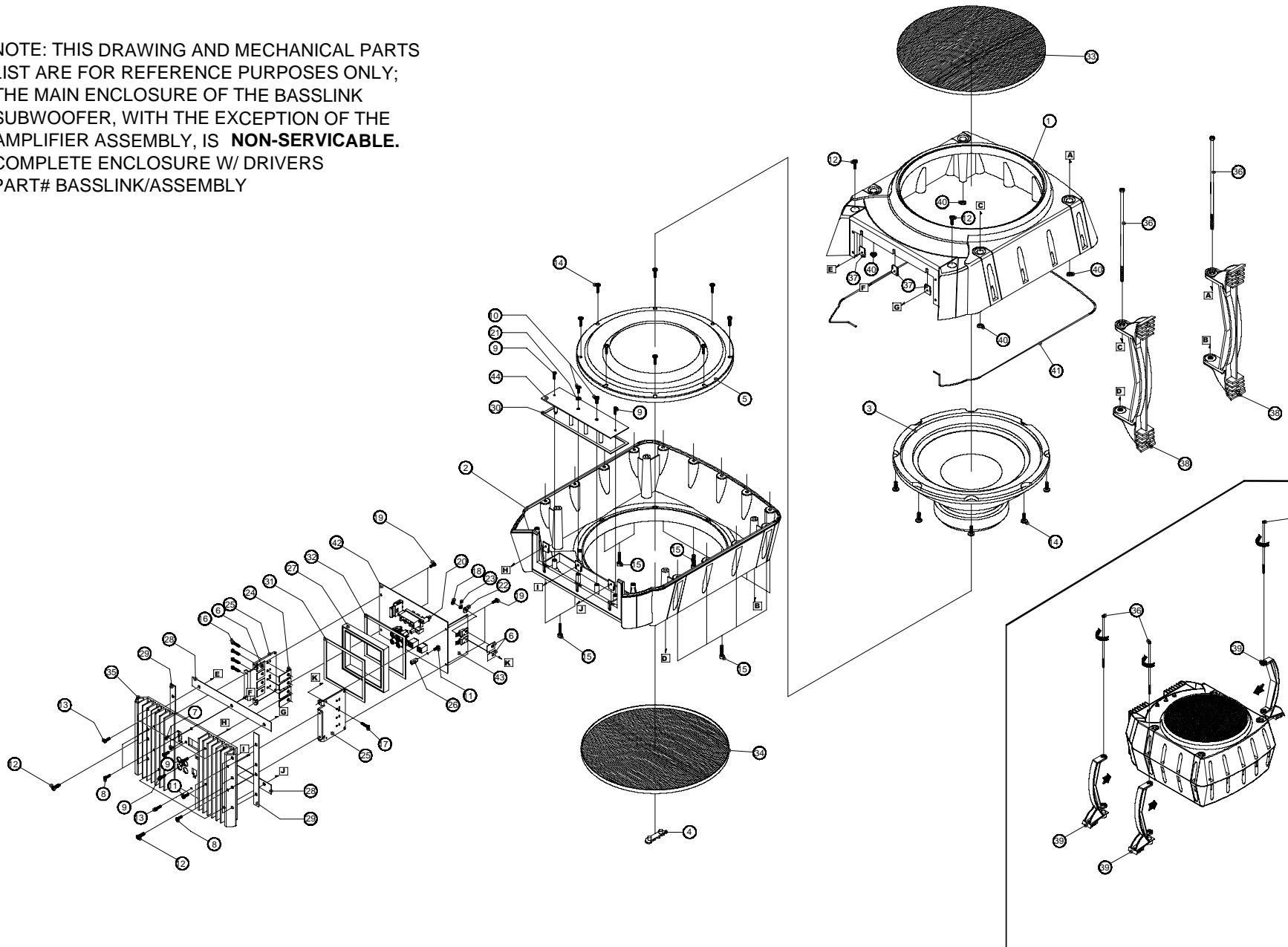


**Figure 3**



| Models   | Serial number   | Status   | Action   |
|----------|---|--|--|
| Basslink | All serial numbers affected (version w/o AUTO-ON switch or REMOTE GAIN) | The unit will not turn off when the signal is removed, and Remote connection is switched off | Add:<br>R272 1 Meg ohm 1/8W Resistor<br>C273 .01uf 100v Mylar Capacitor<br>New amplifier gaskets #723D150, 723C150 |

NOTE: THIS DRAWING AND MECHANICAL PARTS LIST ARE FOR REFERENCE PURPOSES ONLY; THE MAIN ENCLOSURE OF THE BASSLINK SUBWOOFER, WITH THE EXCEPTION OF THE AMPLIFIER ASSEMBLY, IS **NON-SERVICABLE**. COMPLETE ENCLOSURE W/ DRIVERS PART# BASSLINK/ASSEMBLY

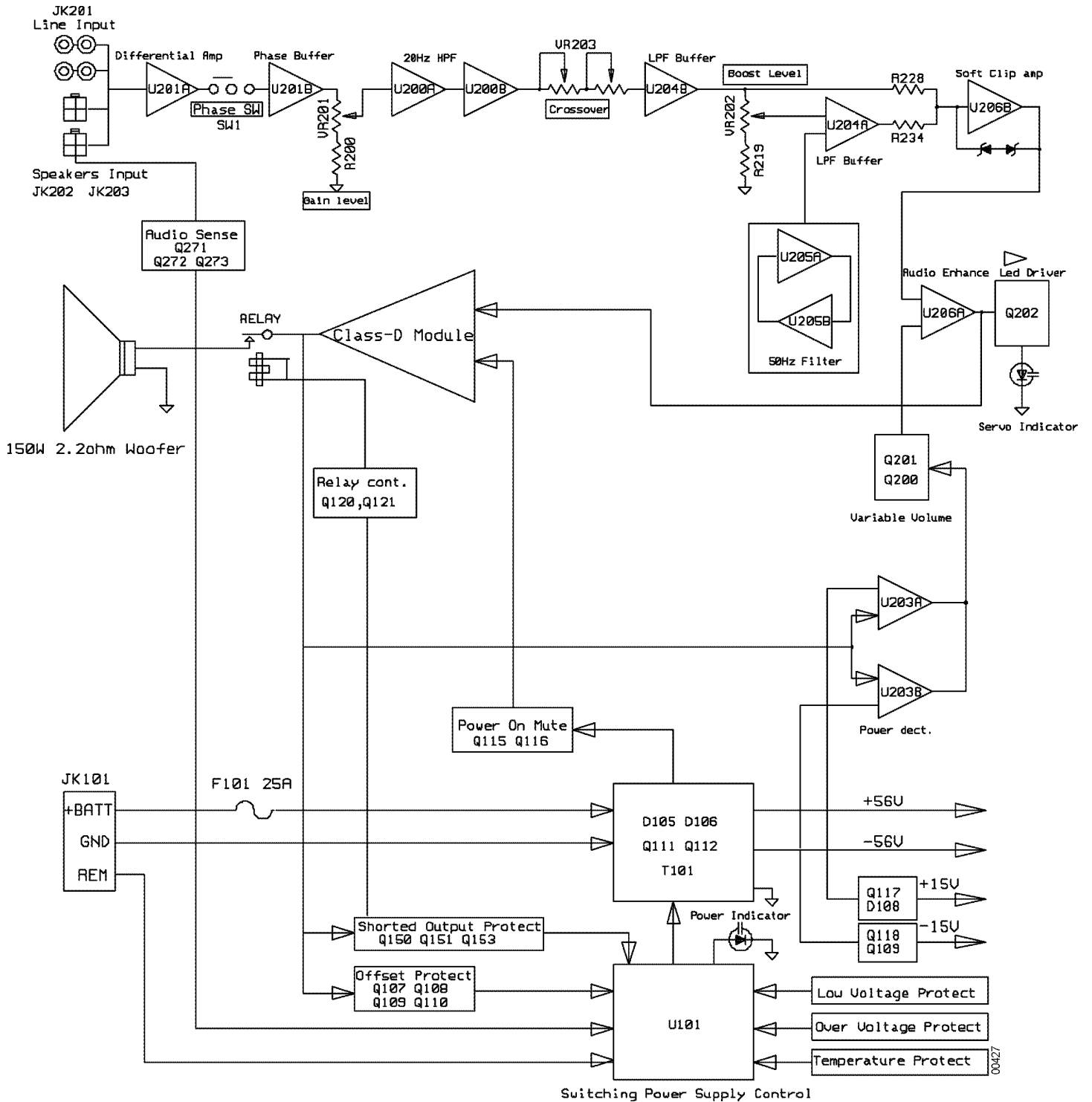


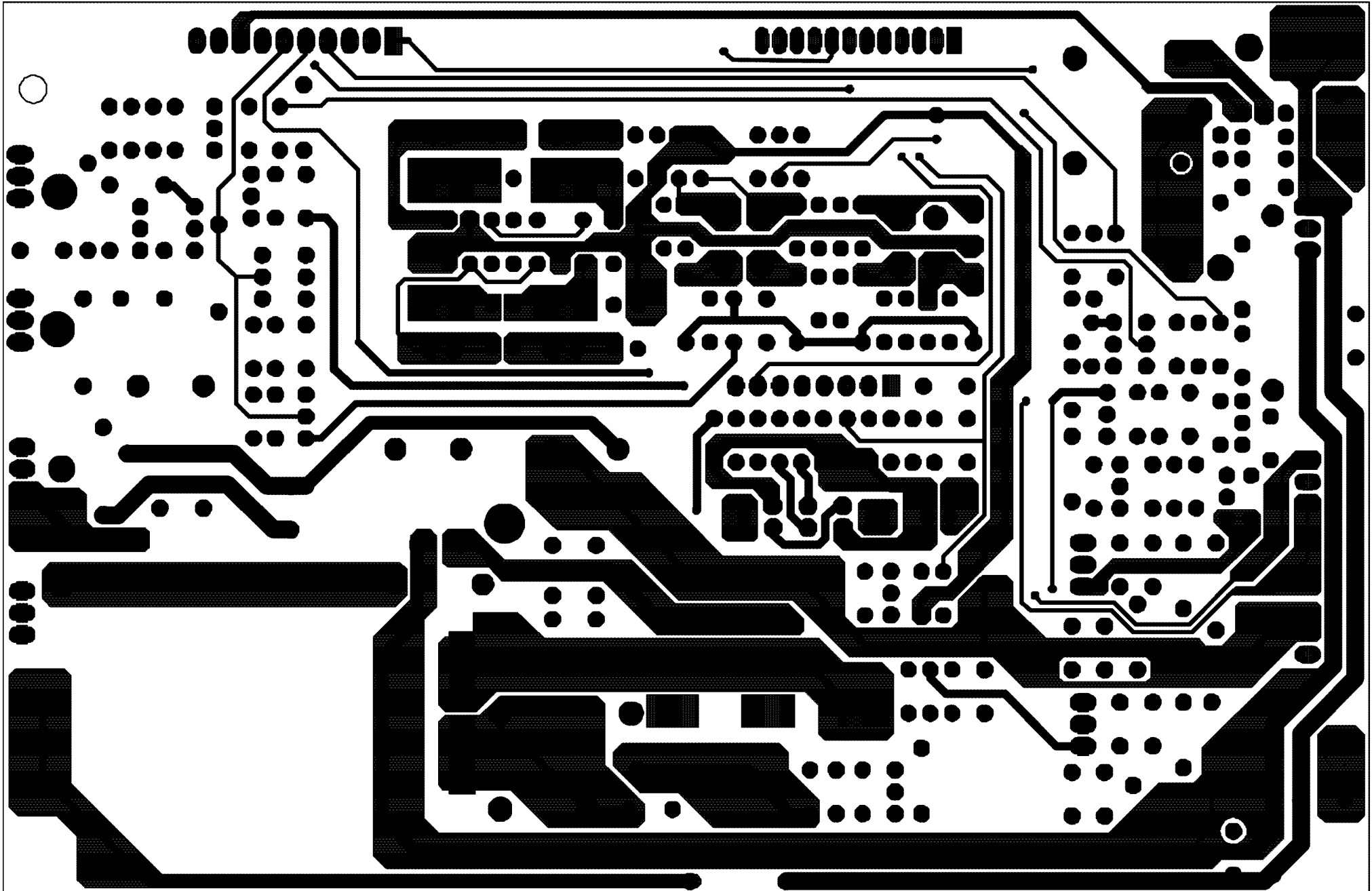
## Mechanical Parts List

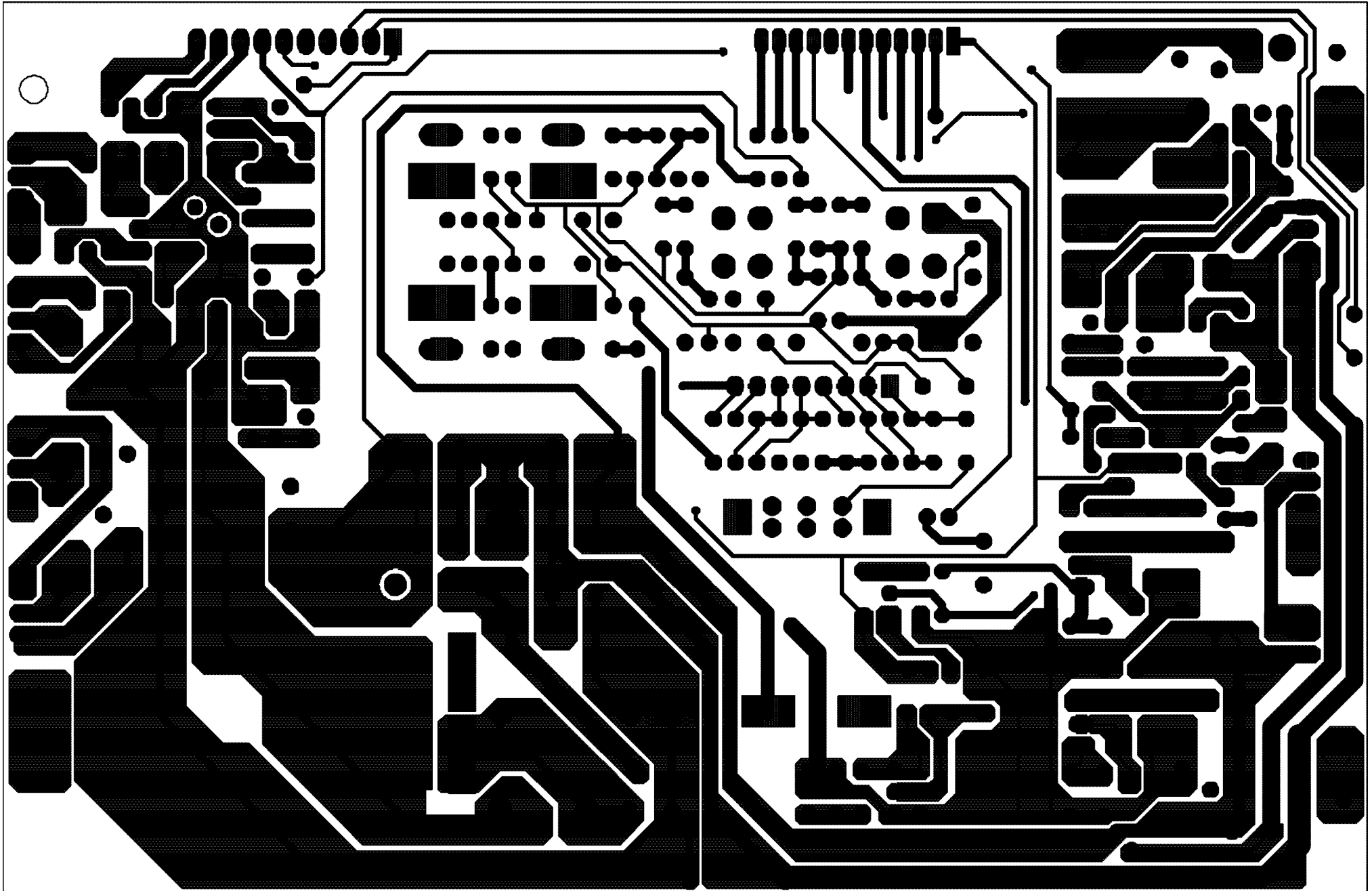
| REF.No. | PARTS No.     | DESCRIPTION                           | QTY |
|---------|---------------|---------------------------------------|-----|
| 1       | 700lc150      | LOWER COVER 366.5x322x1015H BLACK ABS | 1   |
| 2       | 700tc150      | TOP COVER 366.5x322x10525H BLACK ABS  | 1   |
| 3       | F25J12PF-01DW | WOOFER 10" 4 ohm                      | 1   |
| 4       | SZ579-1       | BRAND LOGO (INFINITY)                 | 1   |
| 5       | PR-25001      | INFINITY PASSIVE RADIATOR             | 1   |
| 6       | 1932M1813     | MICA SEGMENT TO-220 18x13mm           | 6   |
| 7       | 06-T21001     | SCREW 2 x10mm P TYPE                  | 2   |
| 8       | 06-T30804     | TAPPING SCREW 3x8mm                   | 4   |
| 9       | 06-T31004     | SCREW M3x10mm                         | 5   |
| 10      | 06-T31014     | TAPPING SCREW 3x10mm P TYPE           | 2   |
| 11      | 06-M30809     | SXREW M3x8xP0.5 TYPE C                | 2   |
| 12      | 06-T41209     | TAPPING SCREW 4x12mm P TYPE           | 10  |
| 13      | 06-M31204     | SCREW M3x12mm TYPE C                  | 6   |
| 14      | 06-T41403     | SCREW 4x14mm P TYPE                   | 16  |
| 15      | 06-T42009     | SCREW 4x20mm                          | 13  |
| 16      | 06-M31204     | SCREW M3x12mm                         | 4   |
| 17      | 06-M31603     | SCREW M3x16mm                         | 1   |
| 18      | 06-N3H01      | HEXAGON NUTS M3                       | 1   |
| 19      | 06-T30804     | SCREW 4x8mm                           | 4   |
| 20      | 06-W03P02     | FIBER WASHER 3mmx8mmx0.3T             | 2   |
| 21      | 06-W03P03     | FIBER WASHER 3mmx8mmx0.5T             | 3   |
| 22      | 06-W04P01     | FLAT WASHER 10mmx4.2mmx0.8T           | 1   |
| 23      | 652M3T03      | SOLD LUG M3 T=0.3                     | 1   |
| 24      | 650IH125      | IC HOLDER                             | 4   |
| 25      | 653HS150      | HEAT SINK 78x62.9x18.5x2.5T           | 2   |
| 26      | 712PS150      | PCB SPACE 6.3øx12L                    | 1   |
| 27      | 700SH150      | SPACE HOLDER                          | 1   |
| 28      | 723D150       | EVA PACKING (D) 182.5x18.5x1T         | 2   |
| 29      | 723C150       | EVA PACKING (C) 143x10.75x1T          | 2   |
| 30      | 723E150       | EVA PACKING (E) 39.2x4x1T             | 1   |
| 31      | 725B150       | RUBBER PACKING                        | 1   |
| 32      | 725C150       | RUBBER PACKING                        | 1   |
| 33      | 631PM150-1    | EUNCH MESH 3øx4Px1T BLACK             | 1   |
| 34      | 631PM150      | EUNCH MESH 3øx4Px1T BLACK             | 1   |
| 35      | 640RP150A     | REAR PANEL 228x143x27x3T              | 1   |
| 36      | 650HB150      | IN HEX-BOLT M5x0.8Px180L              | 4   |
| 37      | 650SN150      | SPEED NUT 16x13x1T SECC 20/20         | 6   |
| 38      | 703BV150      | BRACKET (V) 255x64.5x33x5T BLACK      | 2   |
| 39      | 703BH150      | BRACKET (H) 215.7x81x33x5T SILVER     | 4   |
| 40      | 723A150A      | EVA PACKING (A) 9.5øx2T               | 4   |
| 41      | 725A150       | RUBBER SEAL 2.5øx1100L                | 1   |
| 42      | NLA-REPAIR    | MAIN ASS'Y PCB                        | 1   |
| 43      | 1010DS150-1   | AMP-SMD ASS'Y                         | 1   |
| 44      | NLA-REPAIR    | TONE CONTROL PCB ASS'Y                | 1   |

00426

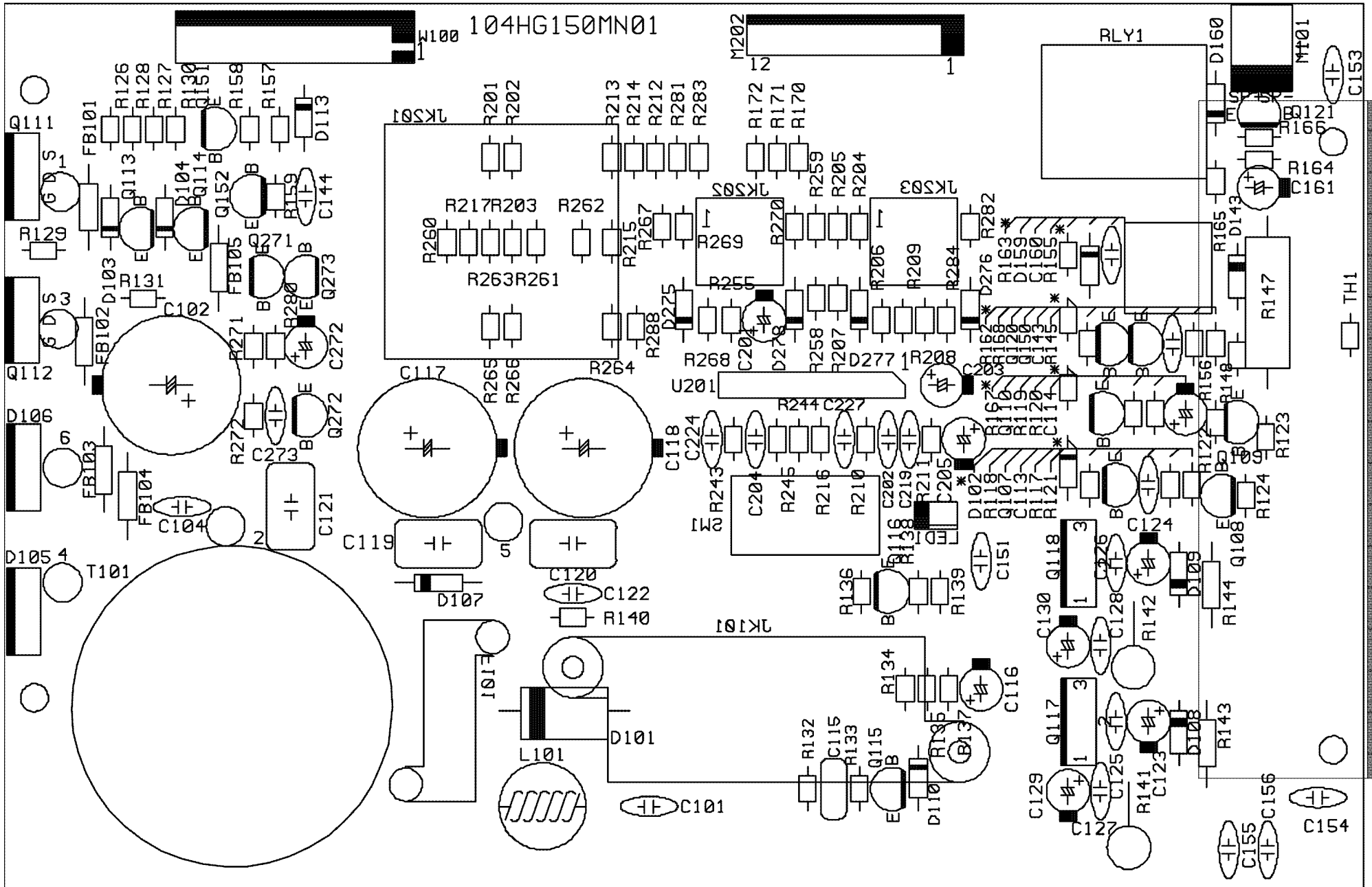
# Block Diagram

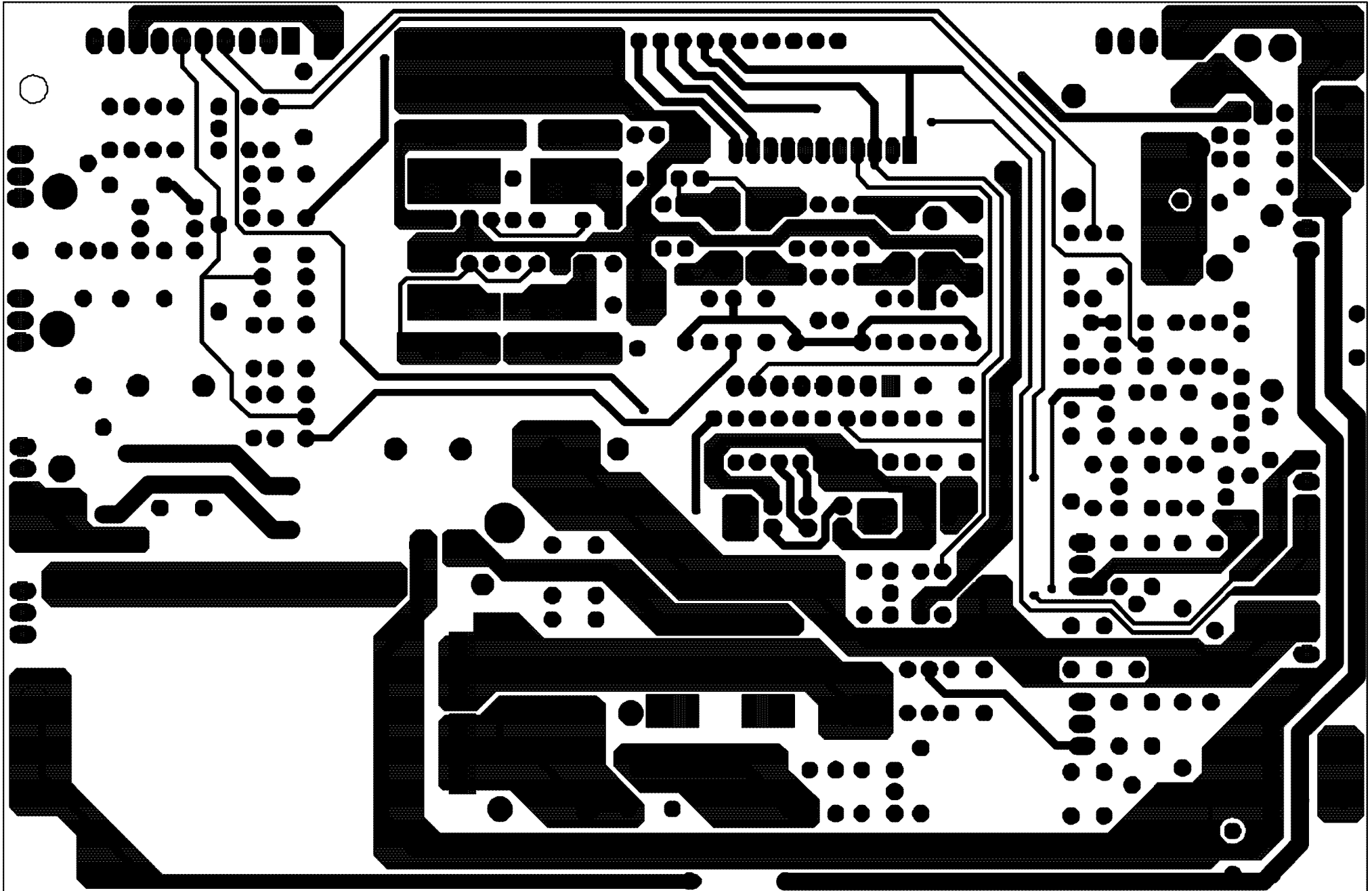


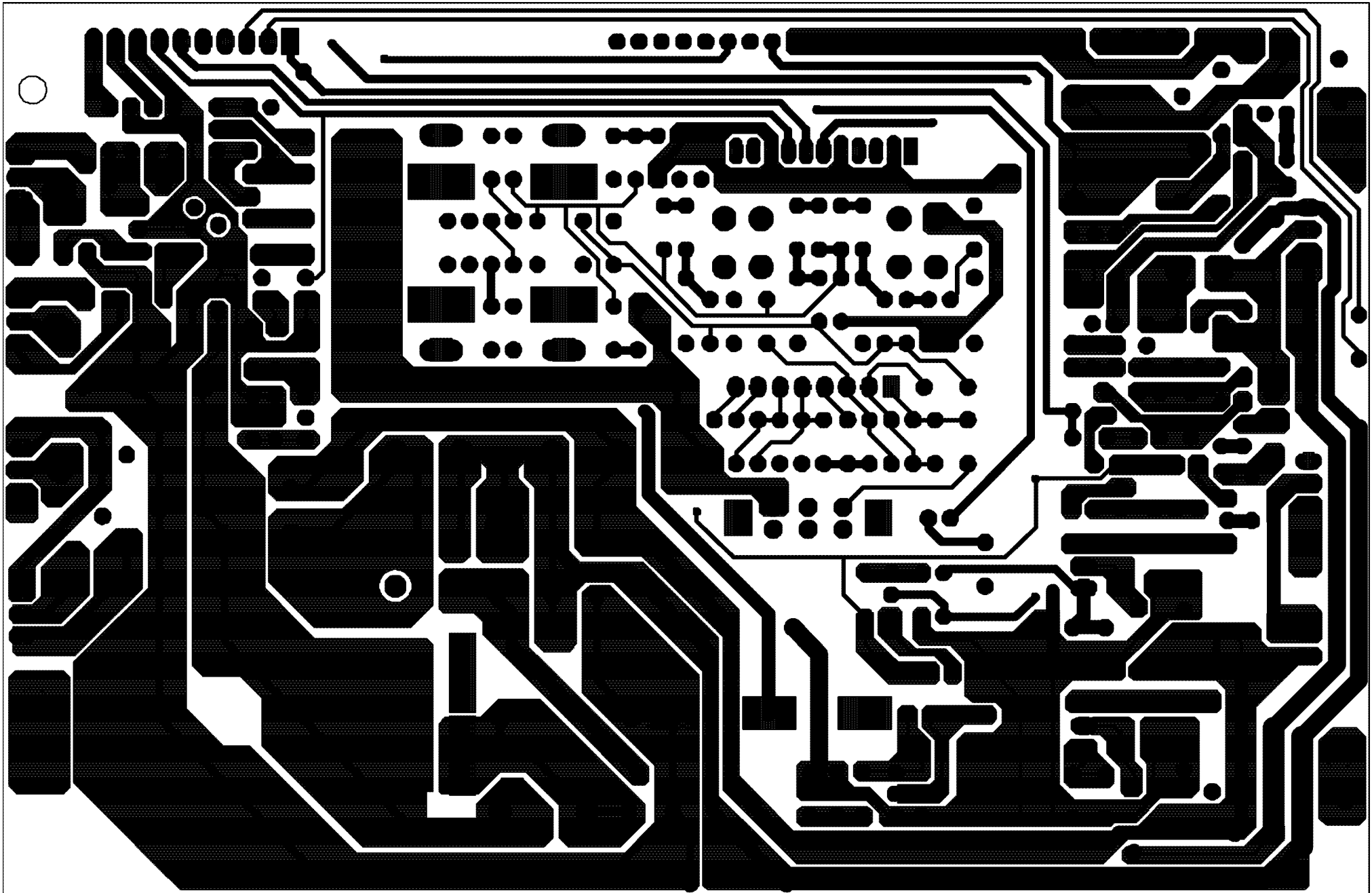


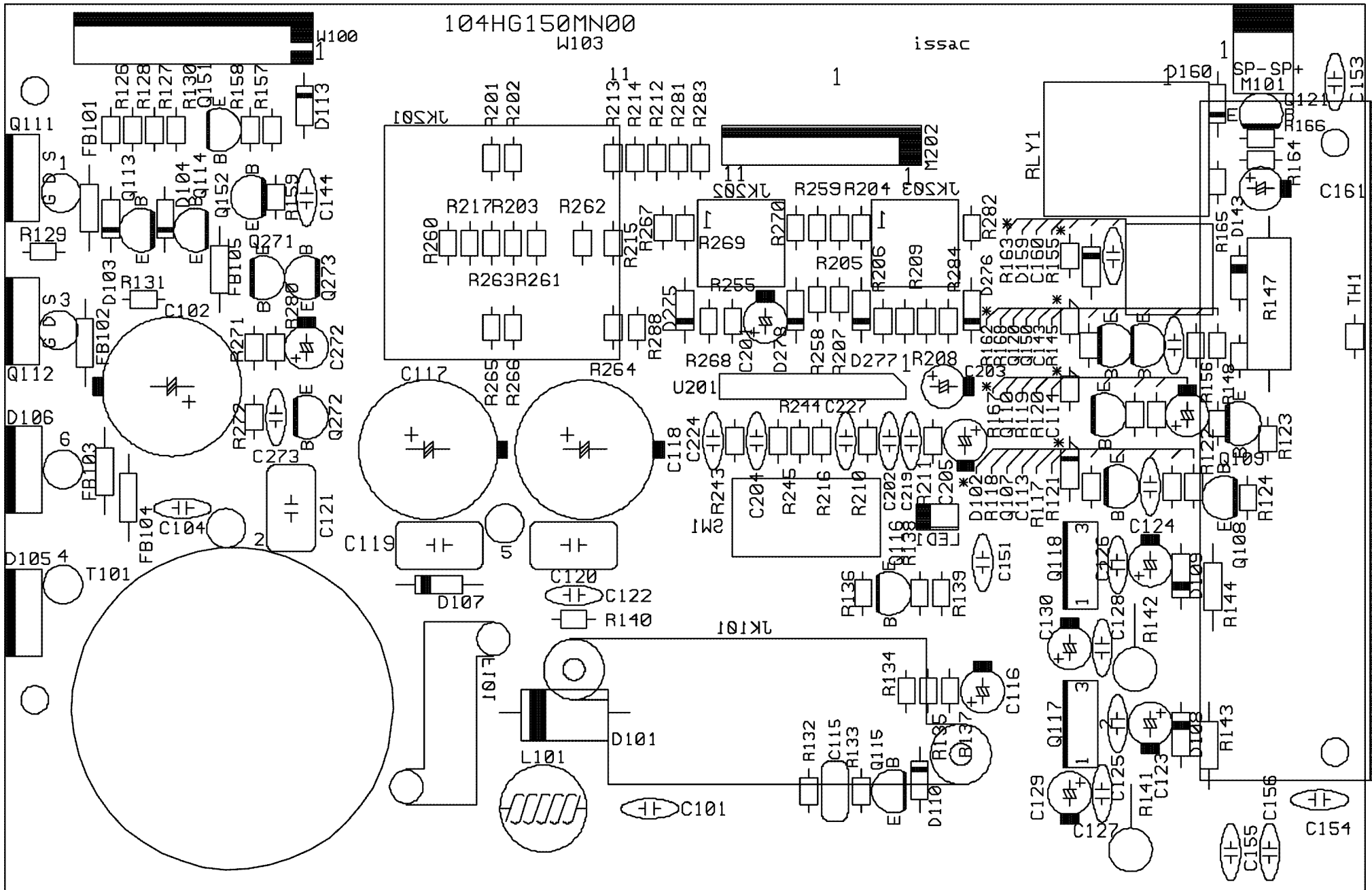


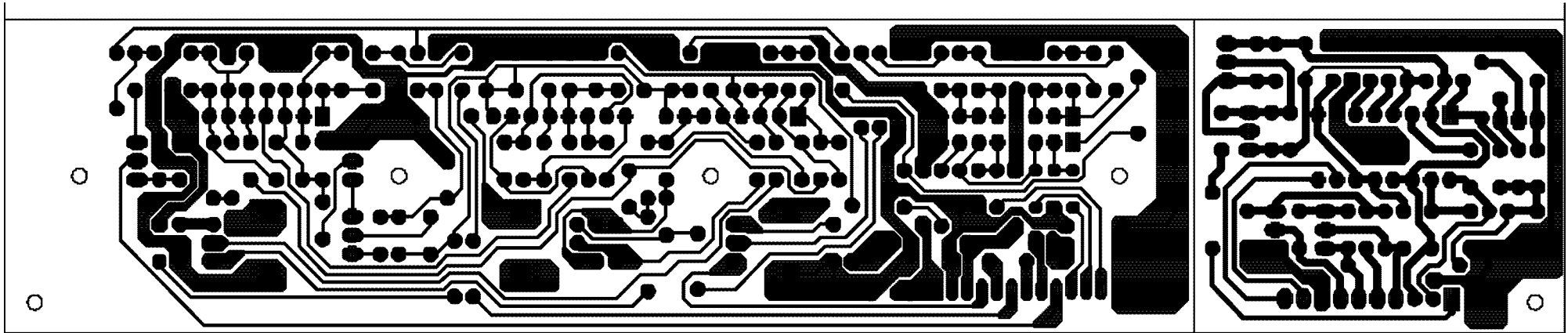




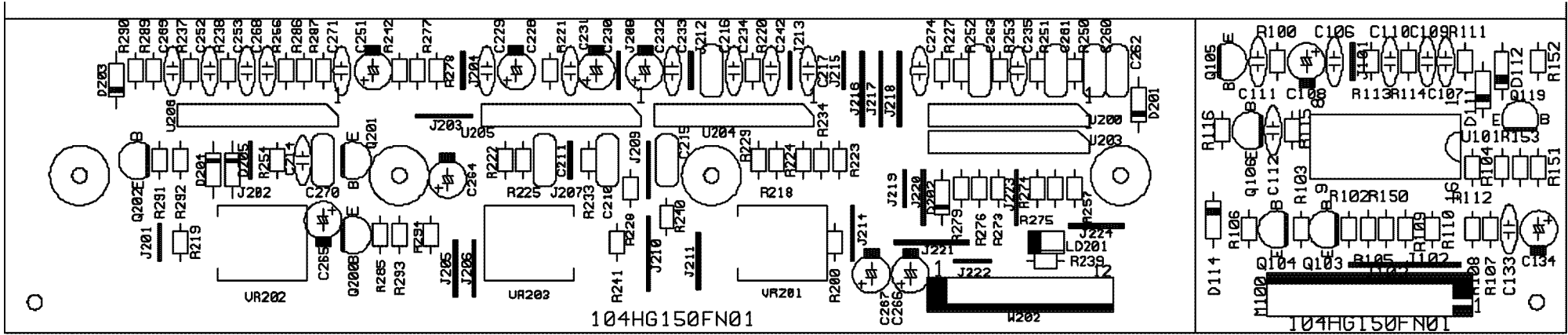






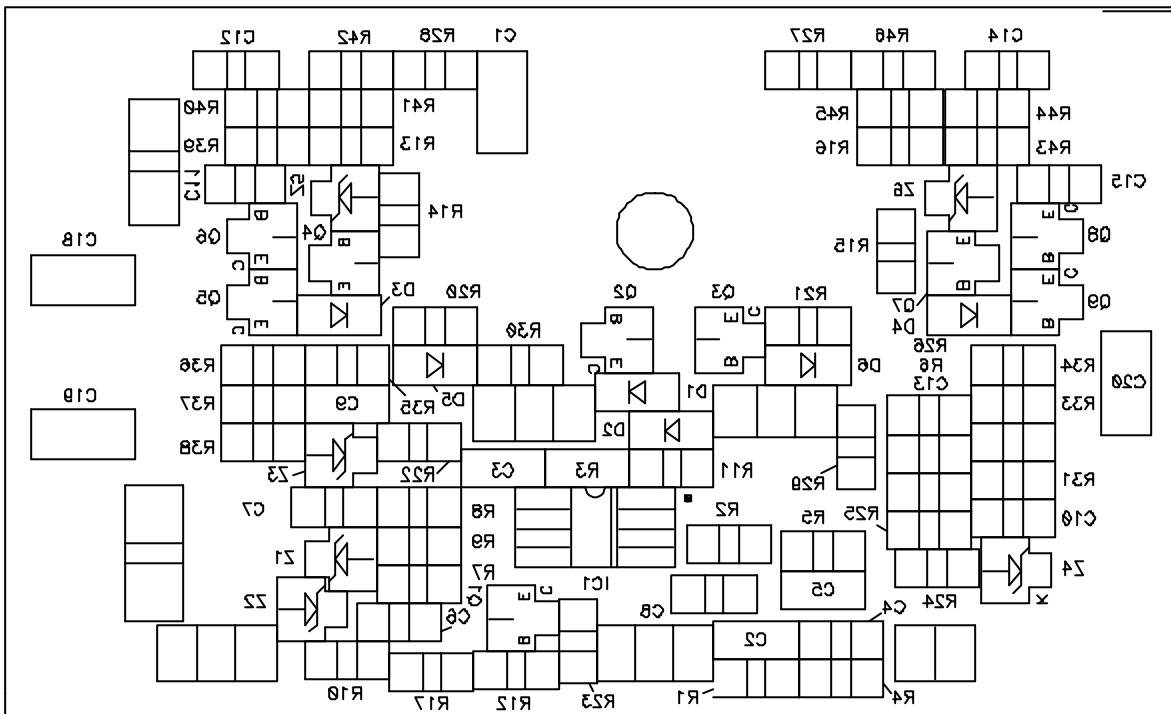
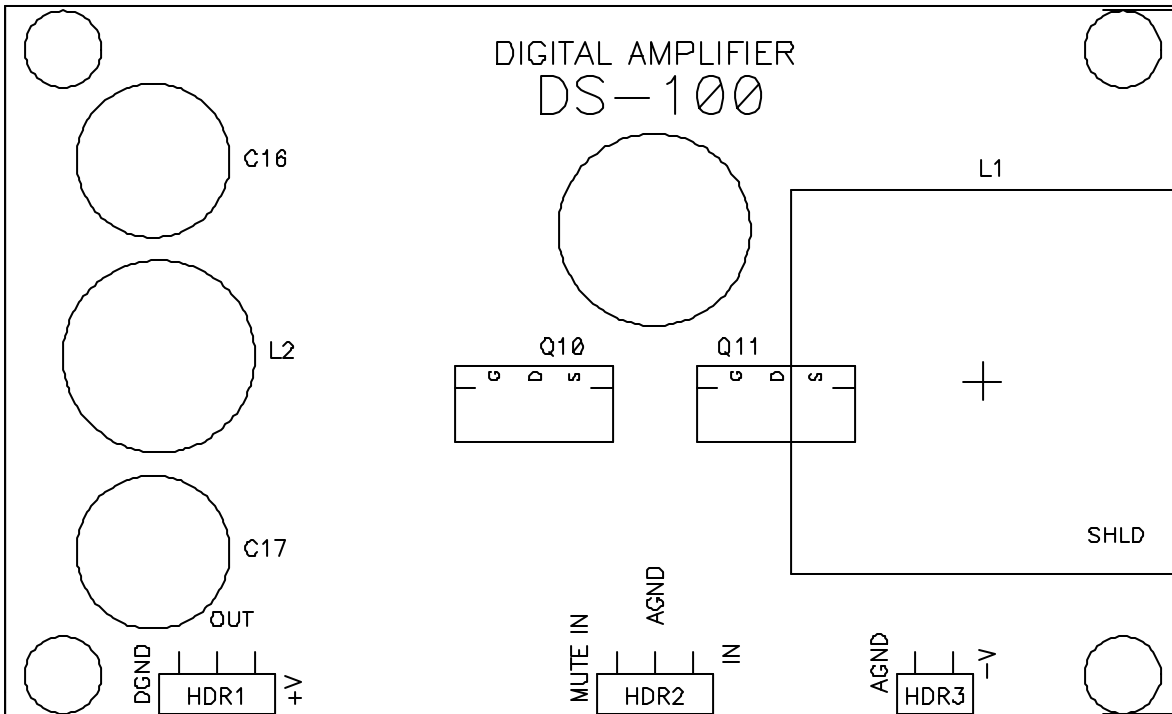


00428-7

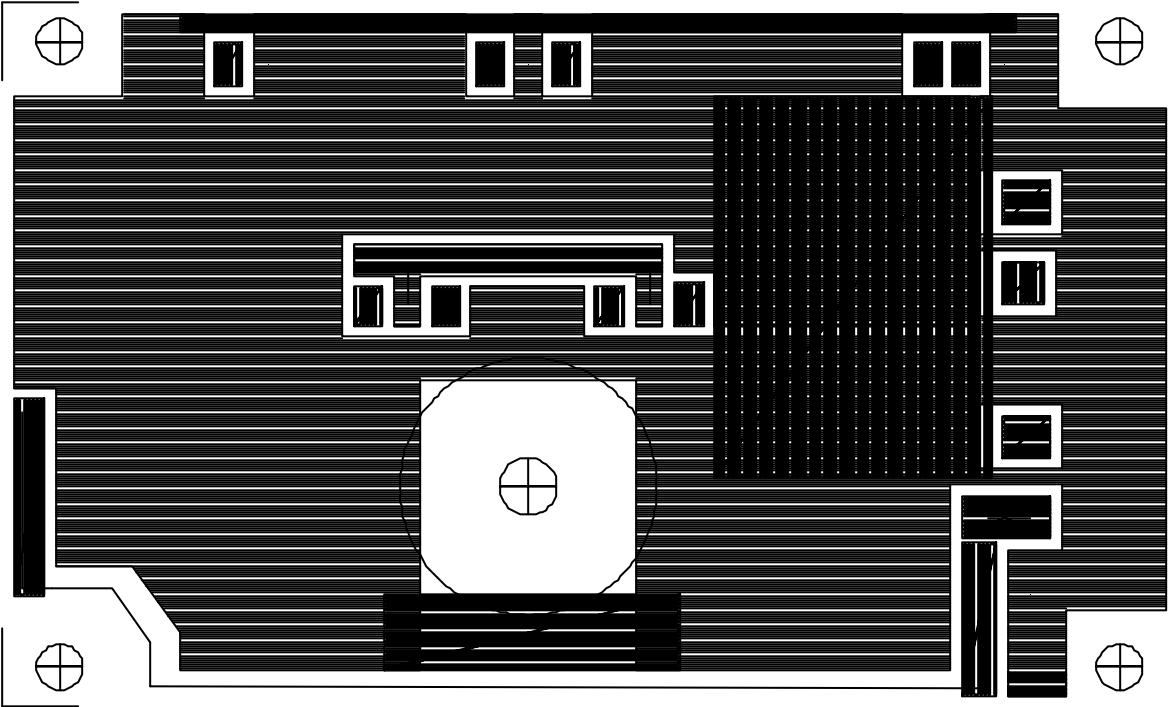
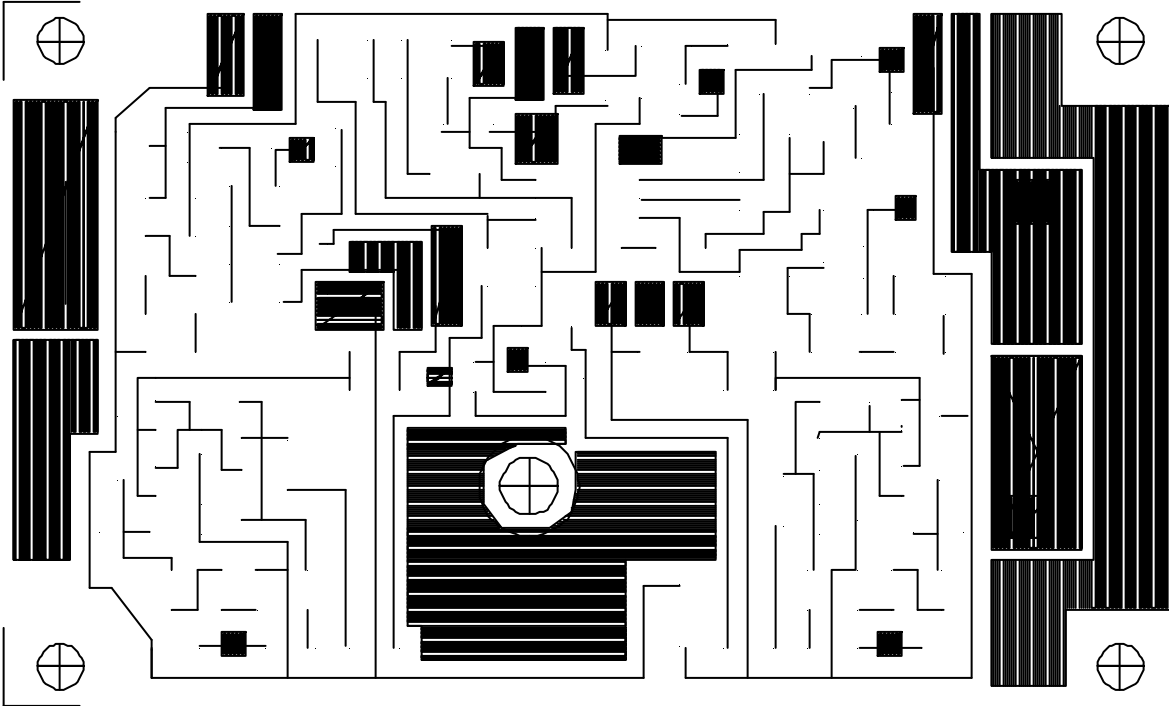


00428-8

# Power Amp PCB



# Power Amp PCB (Cont'd)





## Electrical Parts List

| Part#             | Reference Designator   | Qty | Description            |
|-------------------|--|-----|------------------------|
| <b>Main PCB</b>   |  |     |                        |
| <b>Resistors</b>  |  |     |                        |
| 11016472j26       | R212,R217,R281,R282,R283,R284<br>R260,R288   | 8   | RES,CB 4.7K 1/6W ±5%   |
| 11016103j26       | R117,R118,R119,R122,R123,R124<br>R132,R133,R137,R138,R140,R166<br>R167,R168,R201,R204,R208,R213<br>R265,R266,R269,R270 | 22  | RES,CB 10K 1/6W ±5%    |
| 11016470j26       | R165   | 1   | RES,CB 47Ω 1/6W ±5%    |
| 11016223j26       | R121,R134,R164   | 3   | RES,CB 22K 1/6W ±5%    |
| 11016393j26       | R163,R157  | 2   | RES,CB 39K 1/6W ±5     |
| 11016100j26       | R162   | 1   | RES,CB 10Ω 1/6W ±5%    |
| 11016562j26       | R159   | 1   | RES,CB 5.6K 1/6W ±5%   |
| 11016102j26       | R136,R158  | 1   | RES,CB 1K 1/6W ±5%     |
| 11016222j26       | R216,R243,R244,R245  | 1   | RES,CB 2.2K 1/6W ±5%   |
| 11016182j26       | R145   | 1   | RES,CB 1.8K 1/6W ±5%   |
| 11016221j26       | R156   | 1   | RES,CB 220Ω 1/6W ±5%   |
| 11016270j26       | R126,R127  | 1   | RES,CB 27Ω 1/6W ±5%    |
| 11016104j26       | R120,R135,R255   | 1   | RES,CB 100K 1/6W ±5%   |
| 11112332j10       | R143,R144  | 1   | RES,CB 3.3K 1/2W ±5%   |
| 11016473j26       | R148   | 1   | RES,CB 47K 1/6W ±5%    |
| 11016513j26       | R202,R203,R214,R215,R261,R262<br>R263,R264   | 8   | RES,CB 51K 1/6W ±5%    |
| 11016105j26       | R280   | 1   | RES,CB 1M 1/6W ±5%     |
| 11016106j26       | R271   | 1   | RES,CB 10M 1/6W ±5%    |
| 11016204j26       | R205,R206,R207,R209,R258,R259<br>R267,R268   | 8   | RES,CB 200K 1/6W ±5%   |
| 11016243j26       | R210,R211  | 2   | RES,CB 24K 1/6W ±5%    |
| 161506520         | R171,R170,R172   | 3   | RES,CB 0R JUMPER       |
| 11030621jk3       | R141,R142  | 3   | RES,MF 620Ω 3W ±5%     |
| 11016471j26       | R130,R128  | 2   | RES,CB 470Ω 1/6W ±5%   |
| 11016101j26       | R129,R131  | 2   | RES,CB 100Ω 1/6W ±5%   |
| 11202102JK1       | R147   | 1   | RES,CB 1k 2W ±5%       |
| 11350s68j00       | R155   | 1   | RES,CEW 0.068Ω 5W ±5%  |
| 1091ttc802j0      | TH1  | 1   | NTC,TTC-802(JS)        |
| <b>Capacitors</b> |  |     |                        |
| 1302f104z500      | C154   | 1   | CAP, CA Disc 0.1U 50V  |
| 1302f104z503      | C101,C104,C113,C122,C127,C128<br>C144,C152,C153,C160,C224,C227   | 12  | CAP, CA Disc0.1U 50V   |
| 132273J503        | C143   | 1   | CAP, MY 0.027uF 50V 5% |
| 132104kb04        | C121   | 1   | CAP, MY 0.1uF 200V 10% |
| 132104JA03        | C115,C119,C120   | 3   | CAP, MY 0.1uF 100V ±5% |
| 1353227m10        | C161   | 1   | CAP, E 220U 10V ±20%   |
| 1353335m50        | C116   | 1   | CAP, E3.3uF 50V ±20%   |
| 1354108c80        | C117,C118  | 2   | CAP, E 1000uF 80V      |
| 135433816         | C102   | 1   | CAP, E 3300uF 16V ±20% |
| 1353226m50        | C201,C203  | 2   | CAP, E 22U 50V ±20%    |
| 1353227m16        | C272   | 1   | CAP, E 220U 16V ±20%   |
| 1353106m50        | C205   | 1   | CAP, E 10U 50V ±20%    |
| 1353107m16        | C129,C130  | 2   | CAP, E 100uF 16V ±20%  |
| 1353337m16        | C114   | 1   | CAP, E 330uF 16V ±20%  |

## Electrical Parts List (Cont.)

| Part#                           | Reference Designator   | Qty | Description                        |
|---------------------------------|--|-----|------------------------------------|
| 1353476m16                      | C123,C124  | 2   | CAP, E 47U 16V $\pm$ 20%           |
| 1302b221k503                    | C202,C204,C219   | 3   | CAP, CA Disc 220p 50V $\pm$ 10%    |
| 132103ja03                      | C155,C156  | 2   | CAP, MY 0.01V 100V $\pm$ 5%        |
| <b>Semiconductors</b>           |  |     |                                    |
| 19006m45581                     | U201   | 1   | I.C. NJRC NJM4558LD Dual Op-Amp    |
| 19510204gd                      | LD1  | 1   | LED, 3mm Green                     |
| 192027c1815gr                   | Q108,Q110,Q115,Q120,Q121,Q151<br>Q271,Q272,Q273                | 9   | Trans NPN 60V .15A 2SC1815GR       |
| 192021d669a                     | Q117   | 1   | Trans NPN 180V 1.5A 2SD669A        |
| 192027c2235y                    | Q150   | 1   | Trans NPN 120V 0.8A 2SC2235        |
| 192028a1015gr                   | Q107,Q109,Q113,Q114,Q116,Q152                                  | 6   | Trans PNP 50V .15A 2SC1015GR       |
| 192022b649a                     | Q118   | 1   | Trans PNP 180V 1.5A 2SB649A        |
| 19216355ne06                    | Q111,Q112  | 2   | FET N-CH 60V 50A IRFZ44/STP55NE06  |
| 197131n4148                     | D102,D103,D104,D110,D113,D143<br>D159,D160,D275,D276,D277,D278 | 12  | Diode 1N4148                       |
| 19730sf16                       | D107   | 1   | Diode SF16                         |
| 197101n5402                     | D101   | 1   | Diode 1N5402                       |
| 197301604gd                     | D105,D106  | 2   | Diode SF1604GD                     |
| 19915001503                     | D108,D109  | 2   | Zener 15V 1/2W                     |
| <b>Connectors</b>               |  |     |                                    |
| 1751b08v01                      | M202   | 1   | Wafer 8Pin PH2.0mm                 |
| 1759d02v01                      | M101   | 1   | Wafer 2Pin VH3.96mm                |
| 1745te112j                      | JK101  | 1   | Terminal TE1-12J                   |
| 1759h04v01                      | JK202,JK203  | 2   | Wafer 4Pin 4.2mm                   |
| 174040124bg                     | JK201  | 1   | RCA JACK JK040124BG                |
| <b>Wires</b>                    |  |     |                                    |
| 162a040d001                     | W101   | 1   | 2Pin spk Wires conn Asy            |
| 162a600d001                     | W202(1-8Pin)   | 1   | 8Pin Flat Wire conn Asy            |
| 162a600d002                     | W202(9-12Pin)  | 1   | 4Pin Multi-Wires Asy               |
| <b>Miscellaneous</b>            |  |     |                                    |
| 180p752209                      | SW1  | 1   | SW SSP752209-25JJ1 PHASE           |
| 1201000003                      | FB104,FB101,FB102,FB103,FB105                                  | 5   | Ferrite BEAD                       |
| 154k025a800                     | F101   | 1   | Fuse ATC 25A                       |
| 12214050K4160                   | L101   | 1   | Inductor 5uH/15A                   |
| 171urwh112d                     | RLY1   | 1   | RELAY, RWH112D                     |
| 150r29191501                    | T101   | 1   | Transformer YT802-007A             |
| 1559f30240                      | F101   | 1   | Fuse holder                        |
| <b>Switching Controller PCB</b> |  |     |                                    |
| <b>Resistors</b>                |  |     |                                    |
| 11016682j26                     | R113   | 1   | RES, CB 6.8K 1/6W $\pm$ 5%         |
| 11016102j26                     | R103,R115  | 2   | RES, CB 1K 1/6W $\pm$ 5%           |
| 11016221j26                     | R102   | 1   | RES, CB 220 $\Omega$ 1/6W $\pm$ 5% |
| 11016222j26                     | R112   | 1   | RES, CB 2.2K 1/6W $\pm$ 5%         |
| 11016681j26                     | R106,R107  | 2   | RES, CB 680 $\Omega$ 1/6W $\pm$ 5% |
| 11016472j26                     | R111,R116  | 2   | RES, CB 4.7K 1/6W $\pm$ 5%         |
| 11016103j26                     | R108,R110,R151   | 3   | RES, CB10K 1/6W $\pm$ 5%           |
| 11016432j26                     | R105   | 1   | RES,CB4.3K 1/6W $\pm$ 5%           |

## Electrical Parts List (Cont.)

| Part#                   | Reference Designator          | Qty | Description                     |
|-------------------------|-------------------------------|-----|---------------------------------|
| 11016104j26             | R114,R150                     | 2   | RES, CB 100K 1/6W ±5%           |
| 11016100j26             | R109                          | 1   | RES, CB 10Ω 1/6W ±5%            |
| 11016123j26             | R104                          | 1   | RES, CB 12K 1/6W ±5%            |
| 11016562j26             | R100                          | 1   | RES, CB 5.6K 1/6W ±5%           |
| 11016183j26             | R152                          | 1   | RES, CB 18K 1/6W ±5%            |
| 11016471j26             | R153                          | 1   | RES, CB 470Ω 1/6W ±5%           |
| <b>Capacitors</b>       |                               |     |                                 |
| 1302f104z503            | C106,C107,C109,C111,C112,C133 | 6   | CAP, CA Disc 0.1uF 50V +80/-20% |
| 1303f272ka04            | C110                          | 1   | CAP, CA Disc 2700P 100V ±10%    |
| 1353226m16              | C108                          | 1   | CAP, E22U 16V ±10%              |
| 1353337m16              | C134                          | 1   | CAP, E330uF 16V ±10%            |
| <b>Semiconductors</b>   |                               |     |                                 |
| 197131n4148             | D114,D111                     | 2   | Diode 1N4148                    |
| 19915000623             | D112                          | 1   | Zener 6.2V 1/2W                 |
| 192028a965y             | Q103                          | 1   | Trans PNP 120V 0.8A 2SA965Y     |
| 192028a1015gr           | Q105,Q119                     | 2   | Trans PNP 50V .15A 2SC1015GR    |
| 192027c1815gr           | Q104,Q106                     | 2   | Trans NPN 60V .15A 2SC1815GR    |
| 19301494cn              | U101                          | 1   | I.C.TI TL494CN PWM              |
| <b>Miscellaneous</b>    |                               |     |                                 |
| 1759f40hr2              | M100                          | 1   | PIN Header 10Pins 2.54mm        |
| <b>Tone Control PCB</b> |                               |     |                                 |
| <b>Resistors</b>        |                               |     |                                 |
| 11016123j26             | R227,R234                     | 2   | RES, CB 12K 1/6W ±5%            |
| 11016103j26             | R221,R229,R285,R294           | 4   | RES, CB 10K 1/6W ±5%            |
| 11016474j26             | R220,R278                     | 2   | RES, CB 470K 1/6W ±5%           |
| 11016102j26             | R219,R222,R233                | 3   | RES, CB 1K 1/6W ±5%             |
| 11016393j26             | R223                          | 1   | RES, CB 39K 1/6W ±5%            |
| 11016222j26             | R228                          | 1   | RES, CB 2.2K 1/6W ±5%           |
| 11016204j26             | R237                          | 1   | RES, CB 200K 1/6W ±5%           |
| 11016243j26             | R225                          | 1   | RES, CB 24K 1/6W ±5%            |
| 11016562j26             | R238                          | 1   | RES, CB 5.6K 1/6W ±5%           |
| 11016392j26             | R224                          | 1   | RES, CB 3.9K 1/6W ±5%           |
| 11016223j26             | R240,R241,R242,R250,R254,R287 | 6   | RES, CB 22K 1/6W ±5%            |
| 11016471j26             | R239                          | 1   | RES, CB 470Ω 1/6W ±5%           |
| 11016153j26             | R218,R252                     | 2   | RES, CB 15K 1/6W ±5%            |
| 11016683j26             | R251                          | 1   | RES, CB 68K 1/6W ±5%            |
| 11016333j26             | R253,R277                     | 2   | RES, CB 33K 1/6W ±5%            |
| 11016122j26             | R295                          | 1   | RES, CB 1.2K 1/6W ±5%           |
| 11016511J26             | R200,R256,R286                | 3   | RES, CB 510Ω 1/6W ±5%           |
| 11016432j26             | R279                          | 1   | RES, CB 4.3K 1/6W ±5%           |
| 11016755j26             | R293                          | 1   | RES, CB 7.5M 1/6W ±5%           |
| 11016472j26             | R275,R276                     | 1   | RES, CB 4.7K 1/6W ±5%           |
| 11016273j26             | R274                          | 1   | RES, CB 27K 1/6W ±5%            |
| 11016473j26             | R257,R273,R290                | 3   | RES, CB 47K 1/6W ±5%            |
| 115v503b101             | VR201                         | 1   | POT 50KΩ GAIN                   |
| 115v503b101             | VR202                         | 1   | POT 50KΩ BASS BOOST             |
| 115v503b201             | VR203                         | 1   | POT 50KΩ X 2 LP FREQ.           |

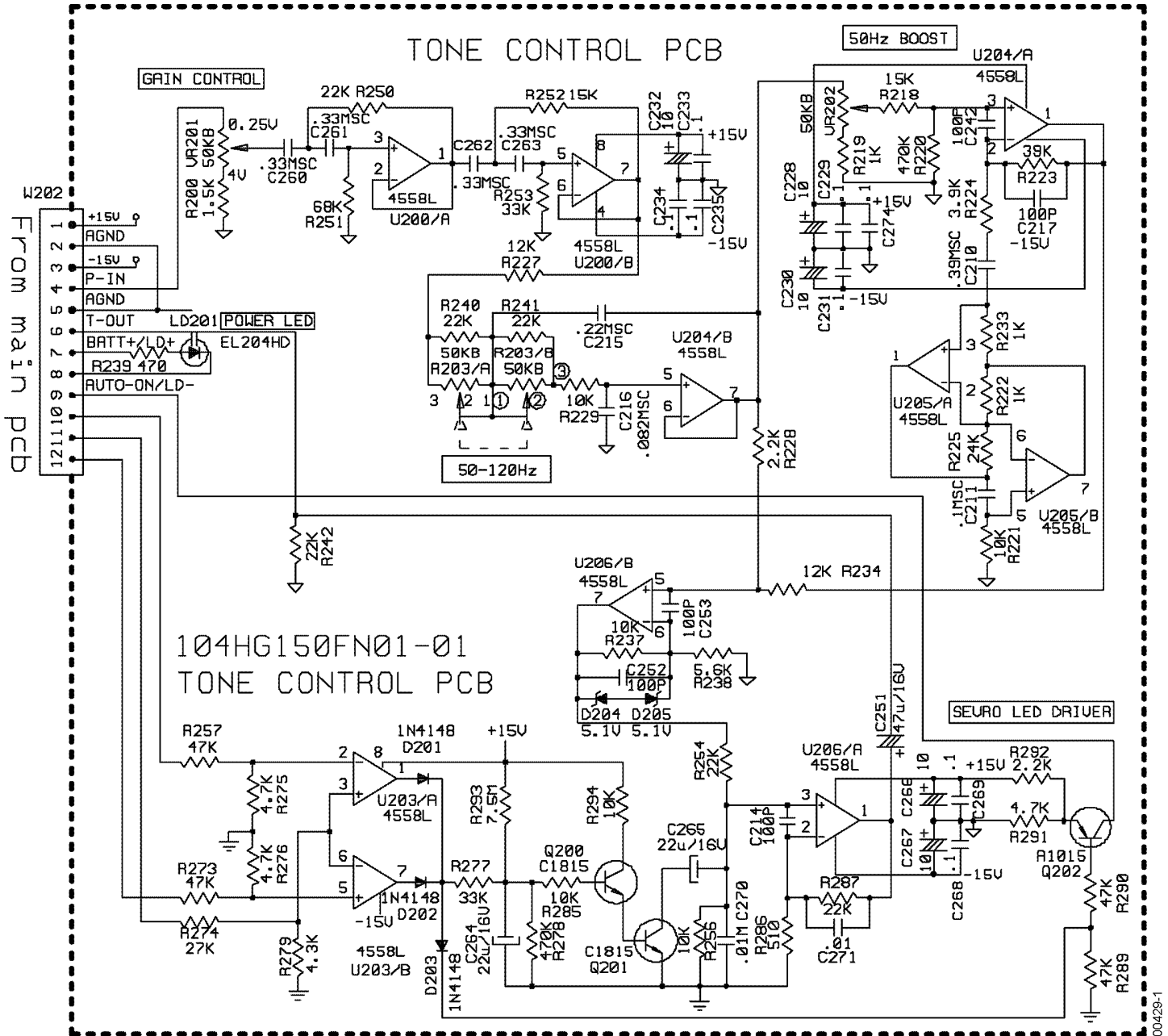
## Electrical Parts List (Cont.)

| Part#                 | Reference Designator   | Qty | Description                    |
|-----------------------|--|-----|--------------------------------|
| <b>Capacitors</b>     |  |     |                                |
| 129a224j633           | C215   | 1   | CAP F 0.22uF 63V ±5%           |
| 129a823j633           | C216   | 1   | CAP F 0.082U 63V ±5%           |
| 129a334j633           | C260,C261,C262,C263  | 4   | CAP F 0.33uF 63V ±5%           |
| 1302b101k503          | C214C217,C242,C252,C253  | 5   | CAP CA Disc 100P 50V ±10%      |
| 1302f104z503          | C229,C231,C233,C234,C235<br>C268,C269,C274                         | 8   | CAP CA Disc 0.1U 50V +80/-20%  |
| 132103j503            | C270,C271  | 2   | CAP MY 0.01U 50V ±5%           |
| 129a104j633           | C211   | 1   | CAP F 0.1U 63V ±5%             |
| 129a394j633           | C210   | 1   | CAP F 0.39uF 63V ±5%           |
| 1353106m50            | C228,C230,C232,C266,C267   | 5   | CAP E 10U 50V ±20%             |
| 1353476m16            | C251   | 1   | CAP E 47U 16V ±20%             |
| 1353226m16            | C264   | 1   | CAP E 22U 16V ±20%             |
| <b>Semiconductors</b> |  |     |                                |
| 19006m45581           | U200,U203,U204,U205,U206   | 5   | I.C. NJRC NJM4558L Dual Op-Amp |
| 19510204gd            | LD201  | 1   | LED, 3mm RED                   |
| 192027c1815gr         | Q200,Q201  | 2   | Trans NPN 60V .15A 2SC1815GR   |
| 192028n1015gr         | Q202   | 1   | Trans PNP 50V .15A 2SC1015GR   |
| 197131n4148           | D201,D202  | 2   | Diode 1N4148                   |
| <b>Power Amp PCB</b>  |  |     |                                |
| <b>Capacitors</b>     |  |     |                                |
| 141c0101k50           | C4   | 1   | CAP, CA 1206 100pF 50V 10%     |
| 141c0220k50           | C5   | 1   | CAP, CA 1206 22pF 50V 10%      |
| 141c0561k50           | C6   | 1   | CAP, CA 1206 560pF 50V10%      |
| 141c6104m50           | C2,C3,C7,C8,C9<br>C10,C11,C15                                      | 8   | CAP, CA1206 0.1uF 50V 20%      |
| 141c7223k50           | C13  | 1   | CAP, CA 1206 0.022uF 50V 10%   |
| 141d7104ka0           | C12,C14,C18,C19,C20  | 5   | CAP, CA1210 0.1uF 100V 10%     |
| 141d7104kb0           | C1   | 1   | CAP, NP 1210 0.1uF 200V 10%    |
| 128e106ma0,1          | C16,C17  | 2   | CAP, E NP 10uF 100V 10%        |
| 1302f104z503          | C152   | 1   | CAP, CA Disc 0.1uF 50V         |
| <b>Resistors</b>      |  |     |                                |
| 1181206100j           | R22,R23,   | 2   | RES, 10Ω 1206 5%               |
| 1181206100j           | R2,R11,R29,R30   | 4   | RES, 1K 1206 5%                |
| 1181206103j           | R7,R9,R25  | 3   | RES, 10K 1206 5%               |
| 1181206122j           | R31,R32,R33,R34,R35,R36,R37,R38<br>R39,R40,R41,R42,R43,R44,R45,R46 | 16  | RES, 1.2K 1206 5%              |
| 1181206203j           | R26  | 1   | RES, 20K 1206 5%               |
| 1181206222j           | R6,R13,R16   | 3   | RES, 2.2K 1206 5%              |
| 1181206272j           | R10  | 1   | RES, 2.7K 1206 5%              |
| 1181206301j           | R24  | 1   | RES, 300Ω 1206 5%              |
| 1181206332j           | R14,R15,R27,R28  | 4   | RES, 3.3K 1206 5%              |
| 1181206393j           | R3   | 1   | RES, 39K 1206 5%               |
| 1181206470j           | R20,R21  | 2   | RES, 47Ω 1206 5%               |
| 1181206471j           | R8   | 1   | RES, 470Ω 1206 5%              |
| 1181206472j           | R1,R5,R12  | 3   | RES, 4.7K 1206 5%              |
| 1181206473j           | R17  | 1   | RES, 47K 1206 5%               |
| 1181206475j           | R4   | 1   | RES, 4.7M 1206 5%              |

## Electrical Parts List (Cont.)

| Part#          | Reference Designator | Qty | Description                    |
|----------------|----------------------|-----|--------------------------------|
| Semiconductors |                      |     |                                |
| 19016t1072dts  | IC1                  | 1   | I.C TL072CDT DualOp-Amp SMD    |
| 19209124126qs  | Q1,Q4,Q5             | 3   | TRANS, NPN 50V 0.15A 2SC2412K  |
| 19209139066qs  | Q2,Q8                | 2   | TRANS, NPN 120V 005A 2SC3906K  |
| 19209210376qs  | Q7,Q9                | 2   | TRANS, PNP 50V 0.15A 2SA1037K  |
| 19209215146rs  | Q3,Q6                | 2   | TRANS, PNP 120V 0.05A 2SA1514K |
| 19703rls4148s  | D1,D2,D3,D4,D5,D6    | 6   | DIODE RLS4148                  |
| 19915000563s   | Z1,Z2                | 2   | ZENER 5.6V 5% BZX84-C5V6       |
| 19915001203s   | Z5,Z6                | 2   | ZENER 12V 5% BZX84-C12         |
| 19915001503s   | Z3,Z4                | 2   | ZENER 15V 5% BZX84-C15         |
| 192233IRF640   | Q11                  | 1   | MOSFET IRF640 IR TO220N-CH     |
| 192232irf9640  | Q10                  | 1   | MOSFET IRF9640 IR TO220P-CH    |
| Miscellaneous  |                      |     |                                |
| 12214121j4180  | L1                   | 1   | INDUCTOR 120uH                 |
| 12214350j4180  | L2                   | 1   | INDUCTOR 35uH                  |
| 1759f40hr2     |                      | 1   | Pin Header 8Pin 2.54mm         |

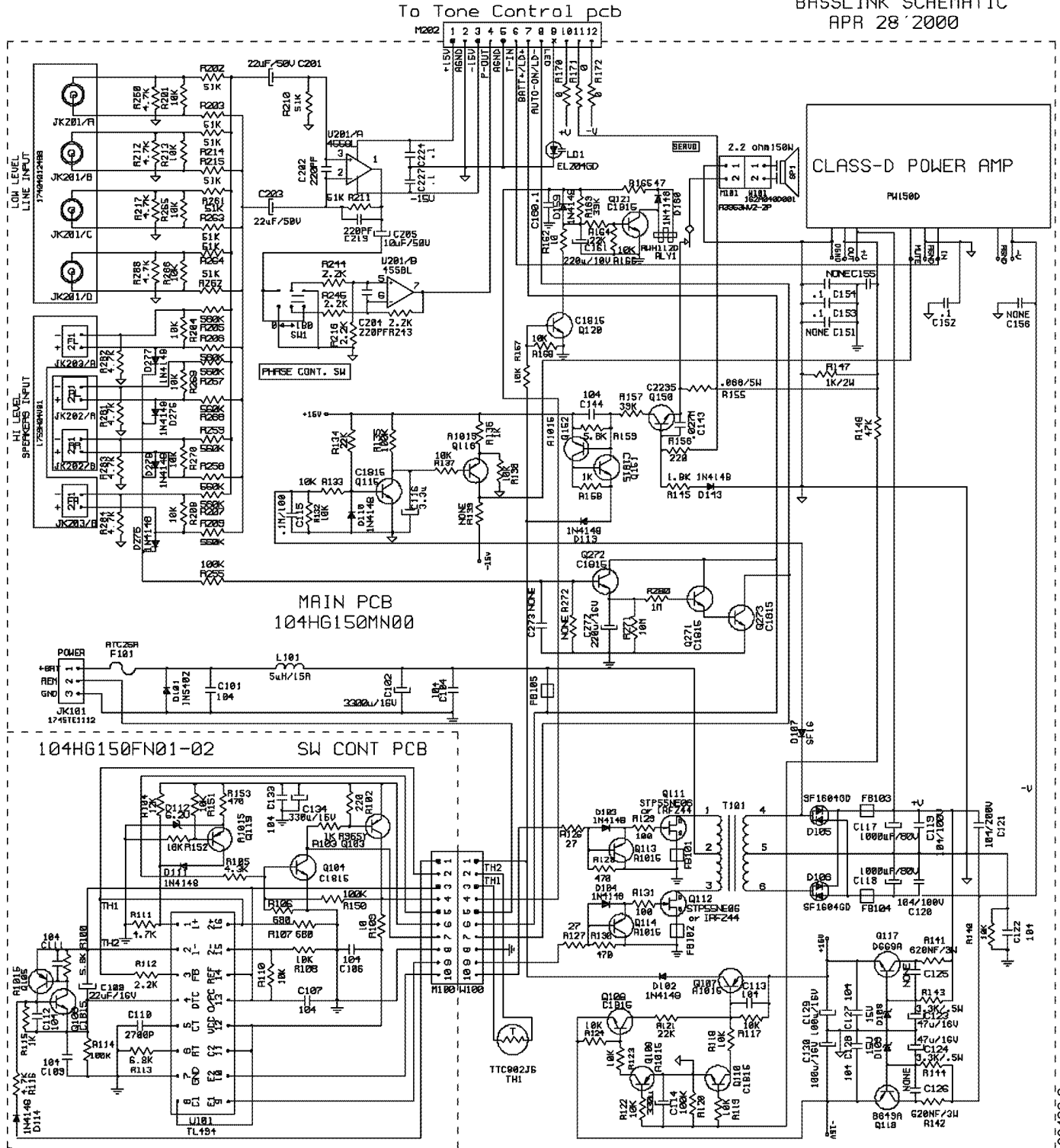
# Schematics



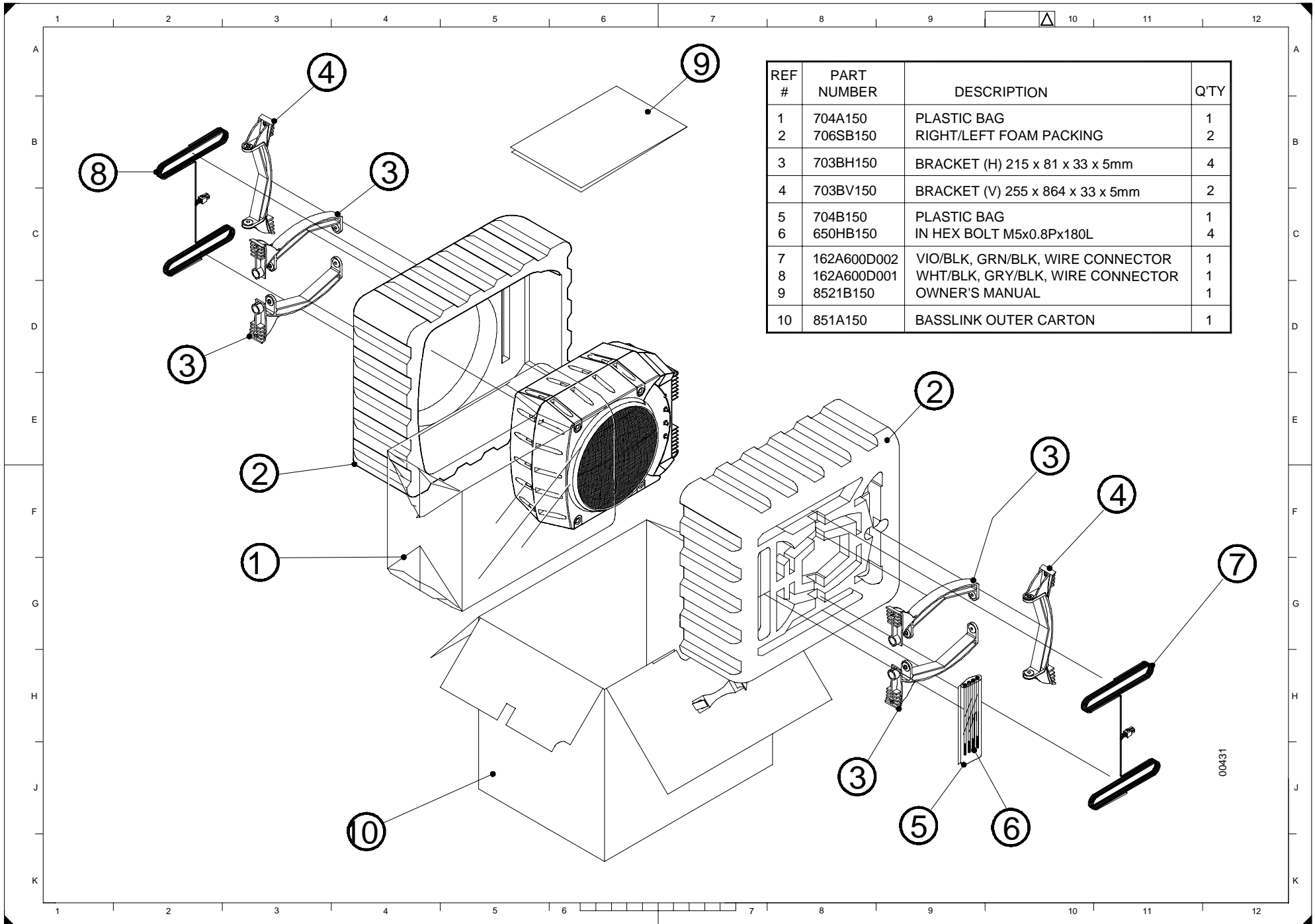
00429-1

# Schematics (Cont.)

BASSLINK SCHEMATIC  
APR 28 '2000



00429-2



| REF # | PART NUMBER | DESCRIPTION                      | QTY |
|-------|-------------|----------------------------------|-----|
| 1     | 704A150     | PLASTIC BAG                      | 1   |
| 2     | 706SB150    | RIGHT/LEFT FOAM PACKING          | 2   |
| 3     | 703BH150    | BRACKET (H) 215 x 81 x 33 x 5mm  | 4   |
| 4     | 703BV150    | BRACKET (V) 255 x 864 x 33 x 5mm | 2   |
| 5     | 704B150     | PLASTIC BAG                      | 1   |
| 6     | 650HB150    | IN HEX BOLT M5x0.8Px180L         | 4   |
| 7     | 162A600D002 | VIO/BLK, GRN/BLK, WIRE CONNECTOR | 1   |
| 8     | 162A600D001 | WHT/BLK, GRY/BLK, WIRE CONNECTOR | 1   |
| 9     | 8521B150    | OWNER'S MANUAL                   | 1   |
| 10    | 851A150     | BASSLINK OUTER CARTON            | 1   |

00431



# Basslink

(Version with remote  
level control jack)

# Basslink X

To: All Infinity Service Centers

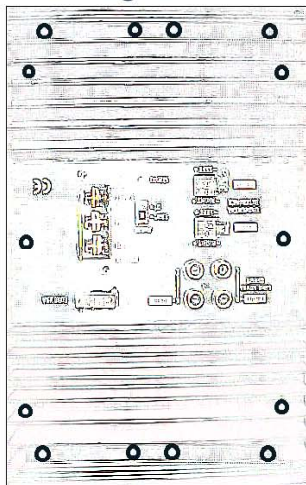
Model: Basslink (version w/ LC - Remote Level Control); Basslink X

Subject: Dead or No Power

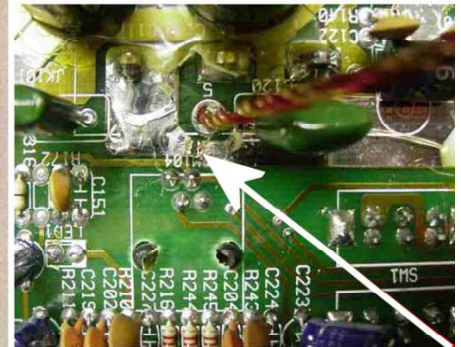
In the event you receive a Basslink subwoofer with the complaint: "The unit is completely dead with no LED indicator, or sound", check the following area on the PCB:

- 1) Set the unit on a padded surface and remove all external cables.
- 2) On the amplifier faceplate, remove *only* the (14) Phillips mounting screws as shown in Figure 1.
- 3) Pull amplifier assembly from the enclosure. Unplug ribbon cable at M202 and Molex speaker connector at M101; remove amplifier.
- 4) Check Main PCB for a damaged (open) trace in the main 12VDC path; see exact location shown in the two illustrations. It is near the large main filter caps, next to braided connection "5" lead from the transformer.
- 5) If the trace is damaged: clean, solder, and bridge the connection with copper solder braid (solder wick used for solder removal), or a short piece of 14 or 12 gauge buss wire.
- 6) After the repair is complete, new gaskets should be added to the amplifier mating surface; two pairs are required, four gaskets total: Infinity part# 333-EVA-00836 and 333-EVA-00827.
- 7) Re-connect the cable and connector, replace the amplifier assembly, and tighten all mounting screws. Use caution: a hand tool is recommended to prevent stripping the threads in the enclosure.
- 8) Connect 12VDC to the unit and test.

**Figure 1**



**AREA OF CONCERN**

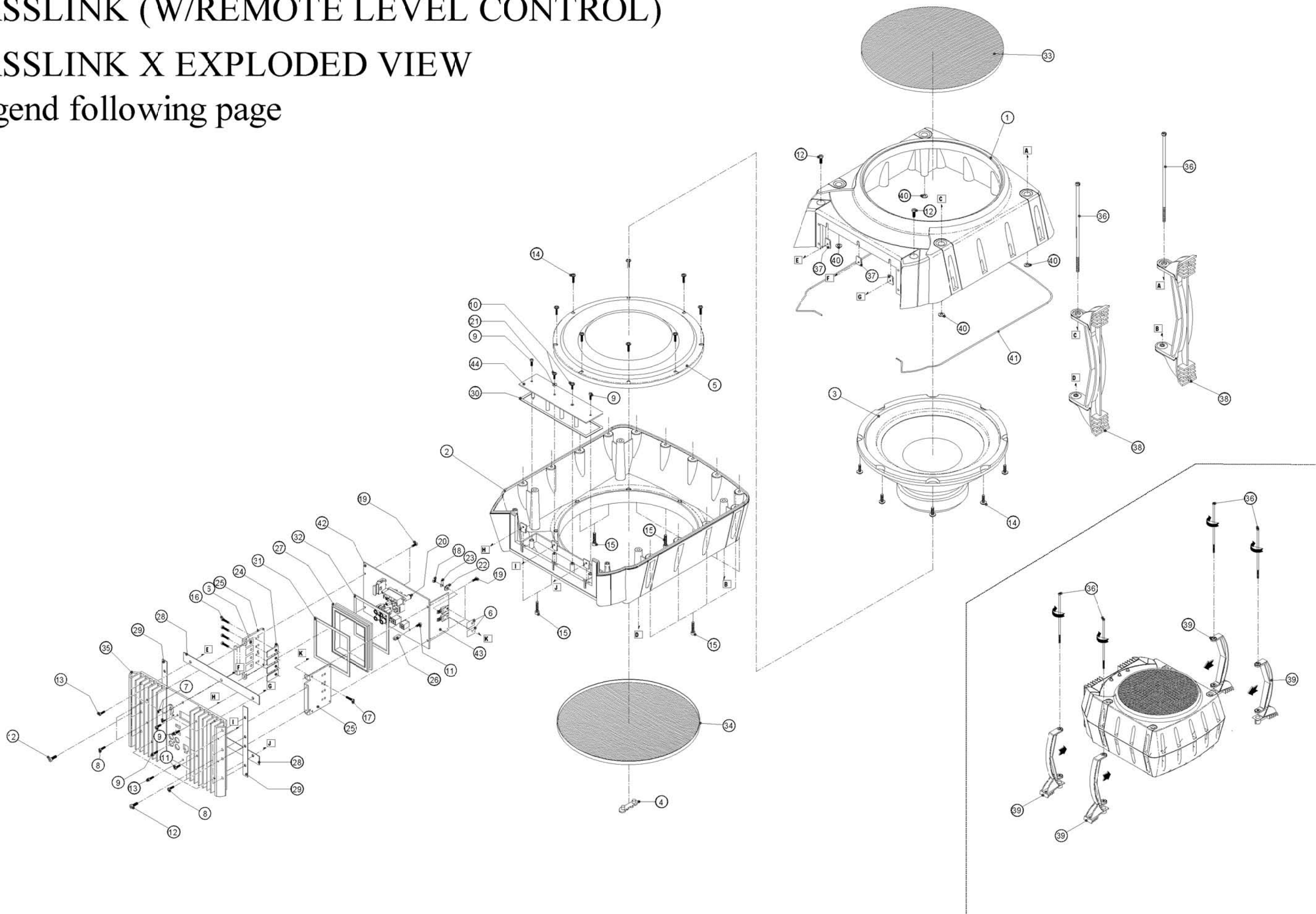


| Models  | Serial number                | Status                                  | Action               |
|---|------------------------------|---|----------------------|
| Basslink (version w/ LC - Remote Level Control) | ME0661-00000 to ME0661-19308 | Check Power Supply PCB Trace For Damage | Repair Circuit Trace |
| Basslink X:                                     | ME0641-00000 to ME0641-01358 |   |                      |
| Basslink (version w/ LC - Remote Level Control) | ME0661-19309 and above       | Modified by factory                     | NONE REQUIRED        |
| Basslink X:                                     | ME0641-01359 and above       |   |                      |

# BASSLINK (W/REMOTE LEVEL CONTROL)

## BASSLINK X EXPLODED VIEW

Legend following page

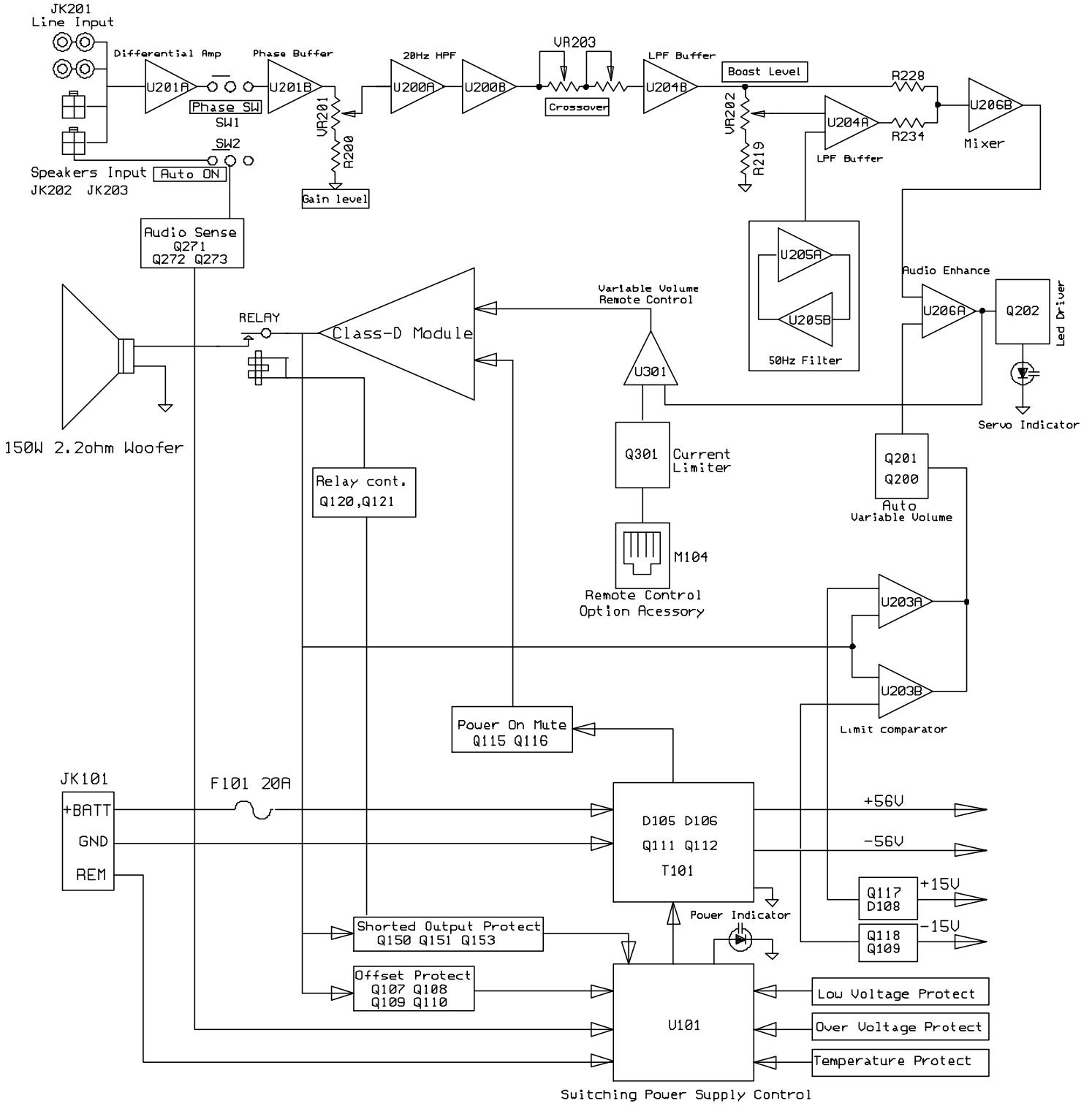


| LEGEND TO EXPLODED VIEW           |               |     |   |
|-----------------------------------|---------------|-----|---|
| BASSLINK (W/REMOTE LEVEL CONTROL) |               |     |   |
| BASSLINK X                        |               |     |   |
| Ref#                              | Part#         | Qty | Description   |
| 1                                 | 700LC150-1    | 1   | BASSLINK LOWER ENCLOSURE 366.5*322*101.5H BLACK ABS     |
|                                   | 715LC150W     | 1   | BASSLINK X - LOWER ENCLOSURE 366.5*322*101.5H BLACK ABS |
| 2                                 | 700TC150-1    | 1   | BASSLINK TOP ENCLOSURE 366.5*322*105.25H BLACK ABS      |
|                                   | 715LC150X     | 1   | BASSLINK X - TOP ENCLOSURE 366.5*322*105.25H BLACK ABS  |
| 3                                 | 25PF12FJ-CW01 | 1   | Basslink Woofer 10" 4 ohm                               |
|                                   | 25PF12FJ-CW02 | 1   | Basslink X - Woofer 10" 4 ohm                           |
| 4                                 | SZ579-1       | 1   | LOGO INFINITY   |
| 5                                 | PR-255000     | 1   | Basslink PASSIVE RADIATOR                               |
|                                   | PR-255002     | 1   | Basslink X - PASSIVE RADIATOR                           |
| 6                                 | 1932M1813     | 6   | MICA ISOLATOR TO-220 18 X 13mm                          |
| 7                                 | 06-T21001     | 2   | SCREW 2 X 10mm P Type                                   |
| 8                                 | 06-T30804     | 4   | SELF-TAPPING SCREW 3 x 8mm                              |
| 9                                 | 06-T31004     | 5   | SCREW M3 X 10mm   |
| 10                                | 06-T31014     | 2   | SELF-TAPPING SCREW 3 x 10mm P Type                      |
| 11                                | 06-M30809     | 2   | SCREW M3 x 8 x 0.5 Type C                               |
| 12                                | 06-T41209     | 10  | SELF-TAPPING SCREW 4 x 12mm P Type                      |
| 13                                | 06-M31204     | 6   | SCREW M3 X 12mm C Type                                  |
| 14                                | 06-T41403     | 16  | SCREW 4 X 14mm P Type                                   |
| 15                                | 06-T42009     | 13  | SCREW 4 X 20mm  |
| 16                                | 06-M31204     | 4   | SCREW M3 X 12mm   |
| 17                                | 06-M31603     | 1   | SCREW M3 X 16mm   |
| 18                                | 06-N3H01      | 1   | HEXAGON NUTS M3   |
| 19                                | 06-T30804     | 4   | SCREW 4 X 8mm   |
| 20                                | 06-W03P02     | 2   | FIBER WASHER 3mm x 8mm x 0.3t                           |
| 21                                | 06-W03P03     | 3   | FIBER WASHER 3mm x 8mm x 0.5t                           |
| 22                                | 06-W04P01     | 1   | FLAT WASHER 10mm x 4.2mm x 0.8t                         |
| 23                                | 652M3T03      | 1   | SOLDER TERMINAL M3 t=0.3                                |
| 24                                | 650IH125      | 4   | IC HOLDER   |
| 25                                | 653HS150      | 2   | HEAT SINK 78 x62x2.5t                                   |
| 26                                | 712PS150      | 1   | PCB SPACER 6.3 x 12L                                    |
| 27                                | 700SH150      | 1   | SPACE HOLDER  |
| 28                                | 723D150       | 2   | EVA 182.5*18.5*2t                                       |
| 29                                | 723C150       | 2   | EVA 143*10.75*2t  |
| 30                                | 723E156       | 1   | EVA 92 x 4 x 1T   |
| 31                                | 725B150       | 1   | RUBBER SEAL   |
| 32                                | 725C150       | 1   | RUBBER SEAL   |
| 33                                | 631PM150-1    | 1   | PUNCH MESH 3□*4P*1T BLACK                               |
| 34                                | 631PM150      | 1   | PUNCH MESH 3□*4P*1T BLACK                               |
| 35                                | 640RP150A-1   | 1   | REAR PANEL 228*143*27*3t                                |
| 36                                | 650HB150      | 4   | IN HEX-BOLT M5*0.8P*180L                                |
| 37                                | 650SN150      | 6   | SPEED NUT 16X13X1T SECC 20/20                           |
| 38                                | 703BV150      | 2   | Basslink BRACKET(V) 255 x 64.5 x 33 x 5T BLACK          |
|                                   | 703BV150W     | 2   | Basslink X - BRACKET(V) 255 x 64.5 x 33 x 5T WHITE      |
| 39                                | 703BH150-1    | 4   | Basslink BRACKET(H) 215.7 x 81 x 33 x 5T BLACK          |
|                                   | 703BH150W     | 4   | Basslink X - BRACKET(H) 215.7 x 81 x 33 x 5T WHITE      |
| 40                                | 723A150A      | 4   | EVA PACKING(A) 9.5□*2t                                  |
| 41                                | 723A150       | 1   | RUBBER SEAL 2.5 X 1100L                                 |
| 42                                | NLA-REPAIR    | 1   | MAIN ASS'Y PCB  |
| 43                                | 1010DS150-1   | 1   | AMP-SMD ASS'Y   |
| 44                                | NLA-REPAIR    | 1   | TONE CONTROL PCB ASS'Y                                  |

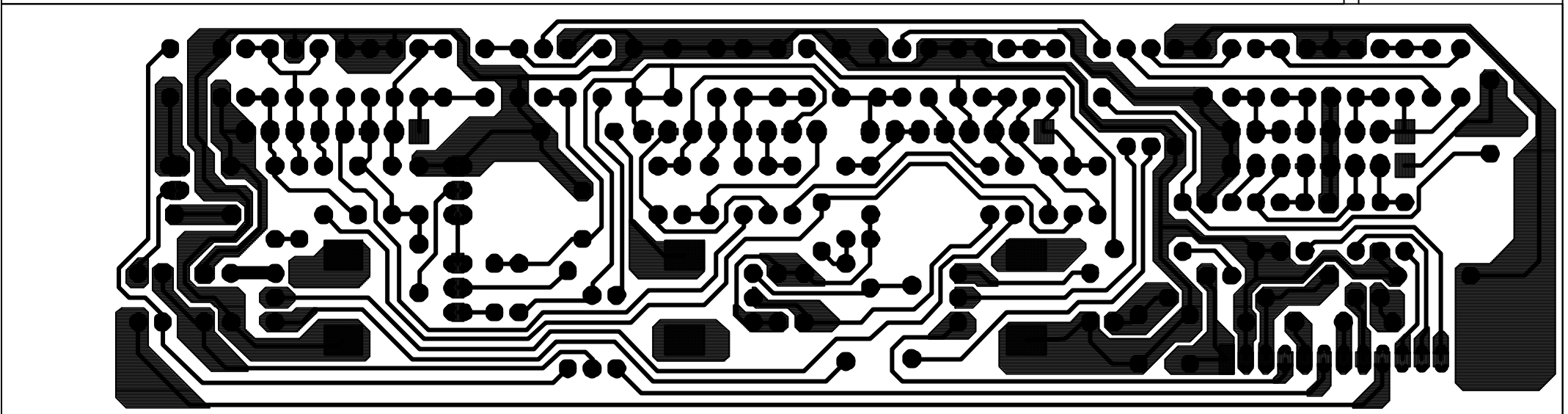
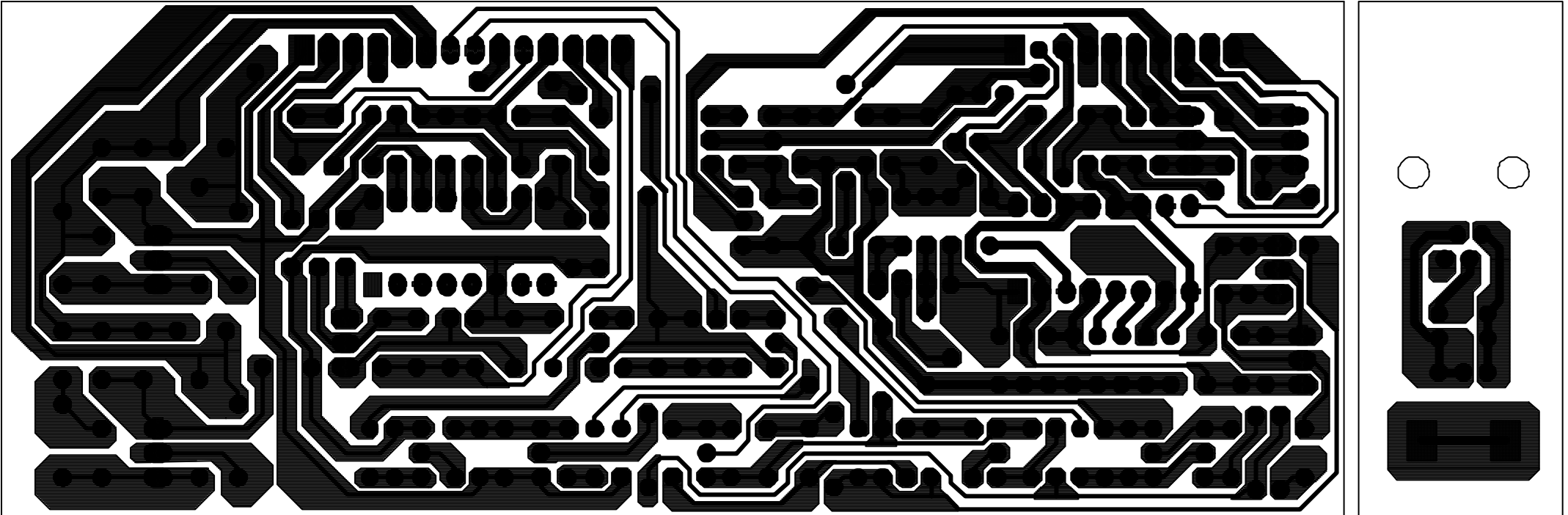
# Block Diagram

BASSLINK II SYSTEM BLOCK DIAGRAM

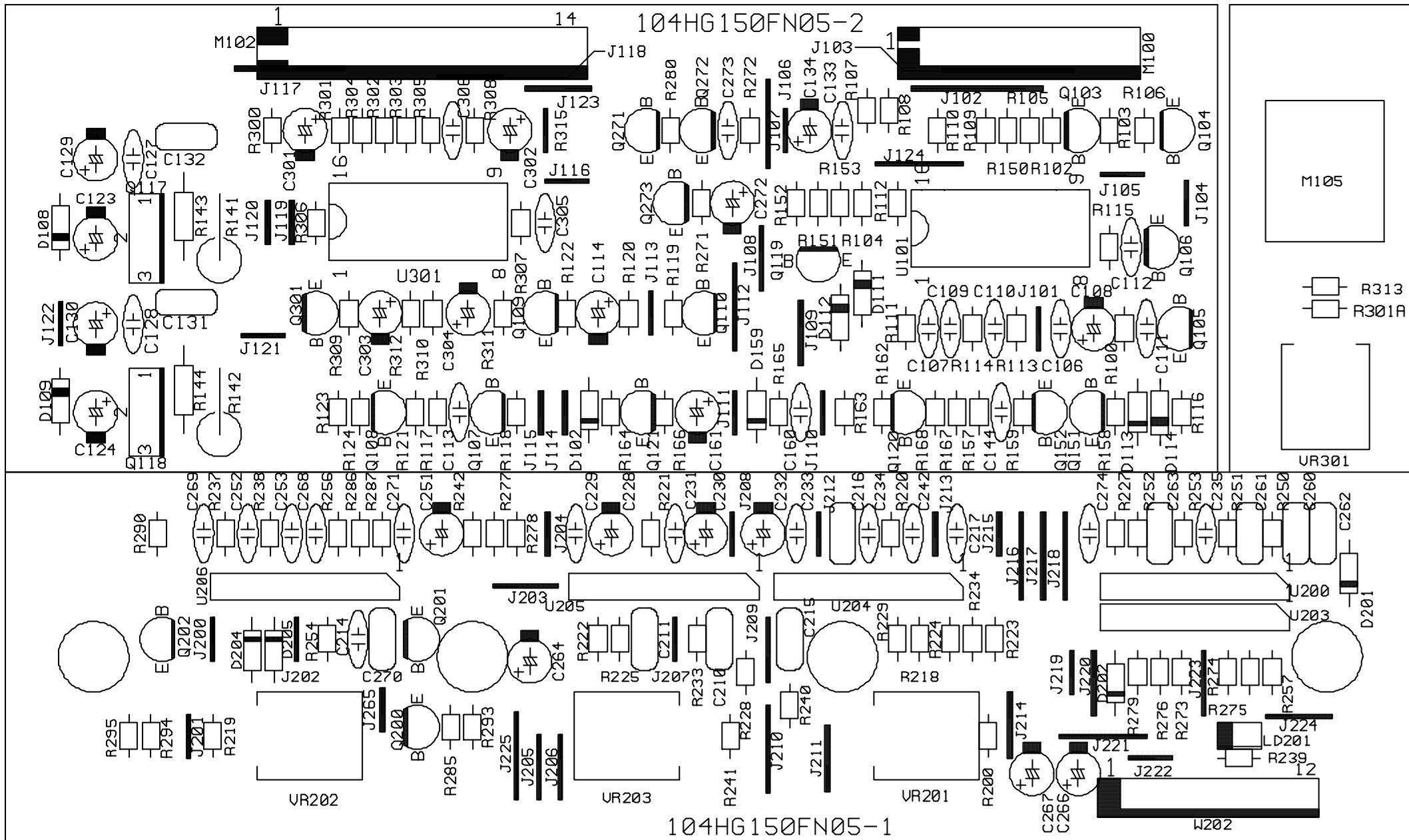
SEP 14 '2000



# Switching Controller/Tone Control PCB's

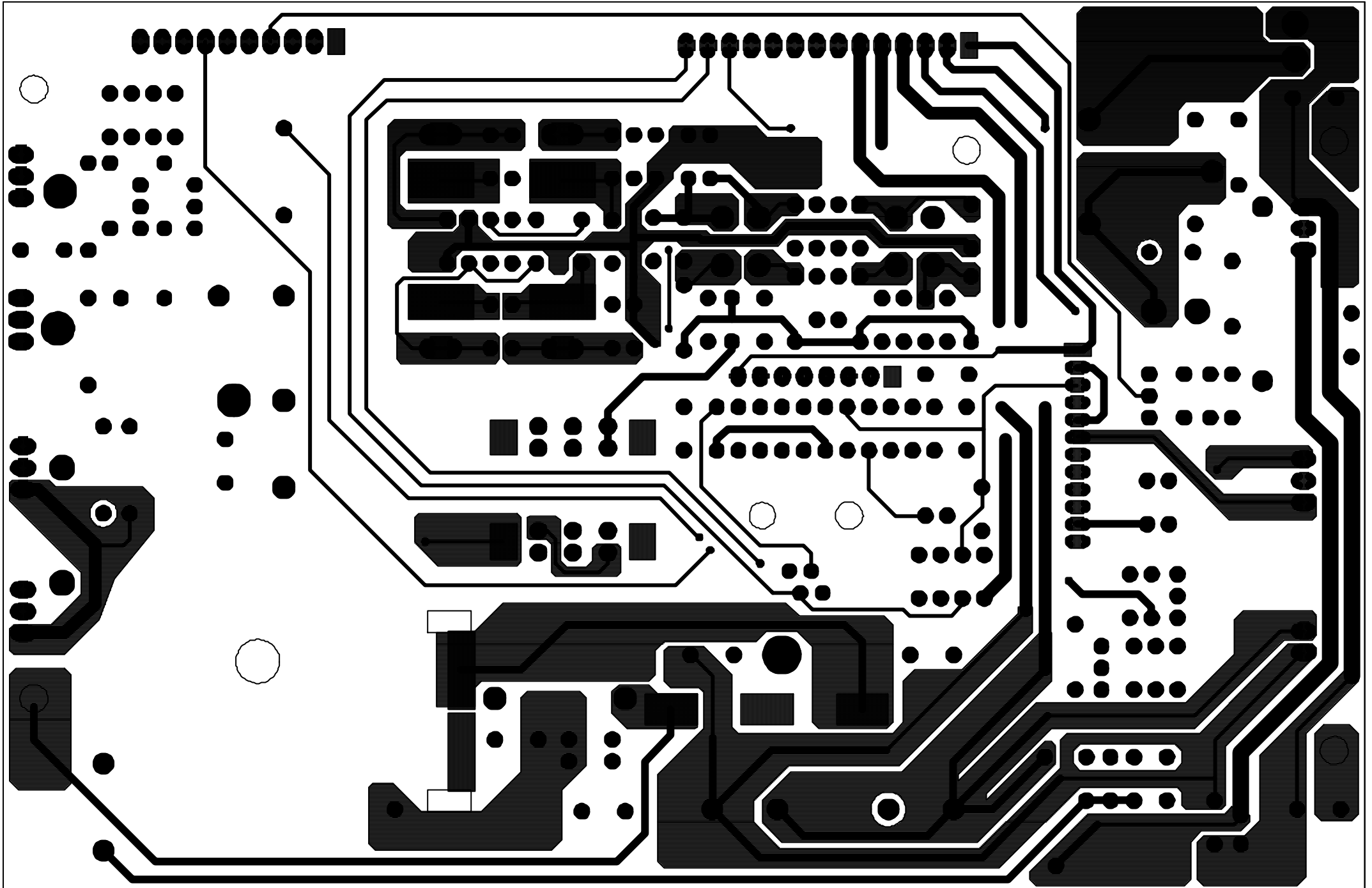


# Switching Controller/Tone Control PCB's (Cont.)



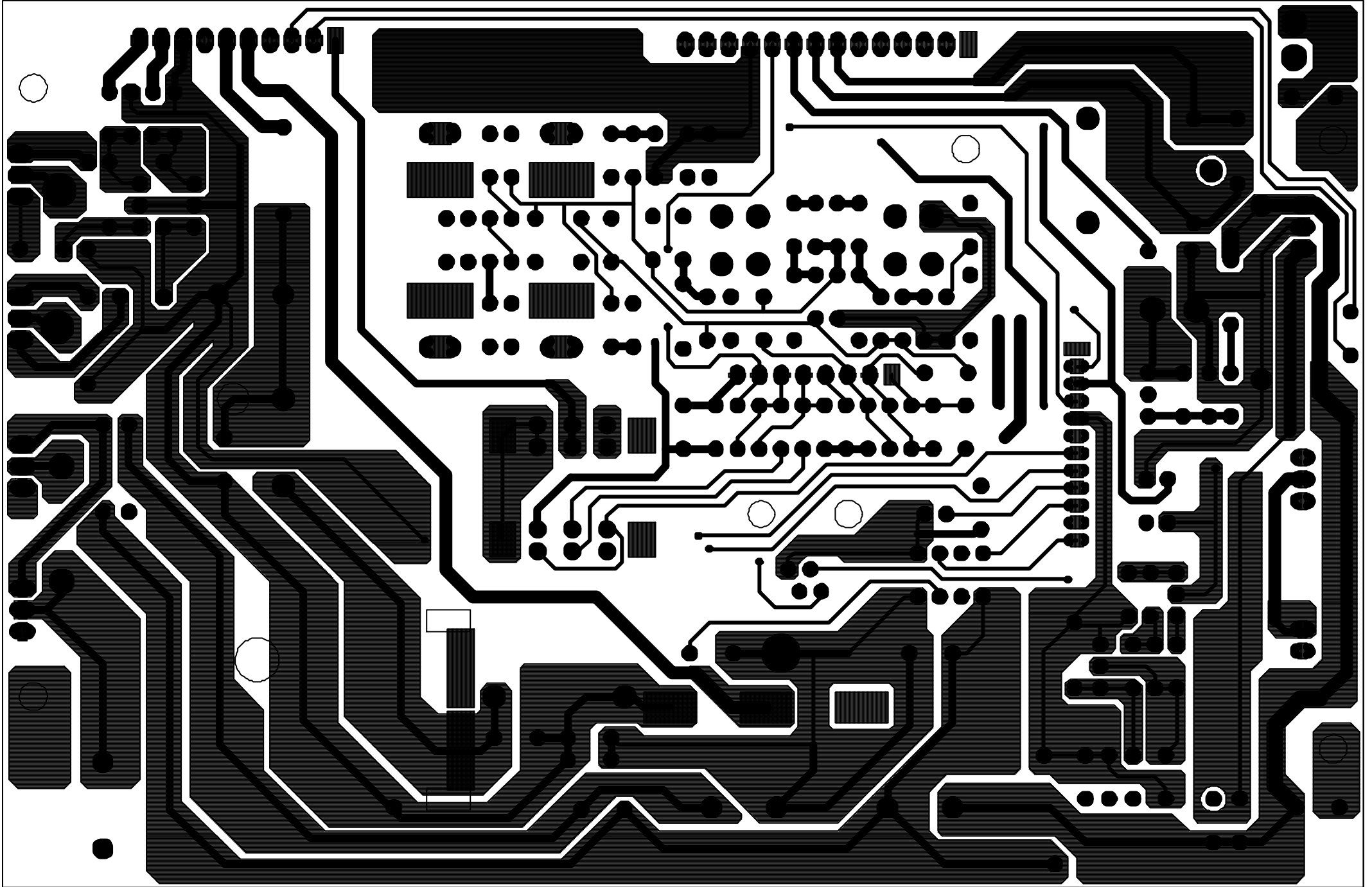
COMP SIDE

# Main PCB

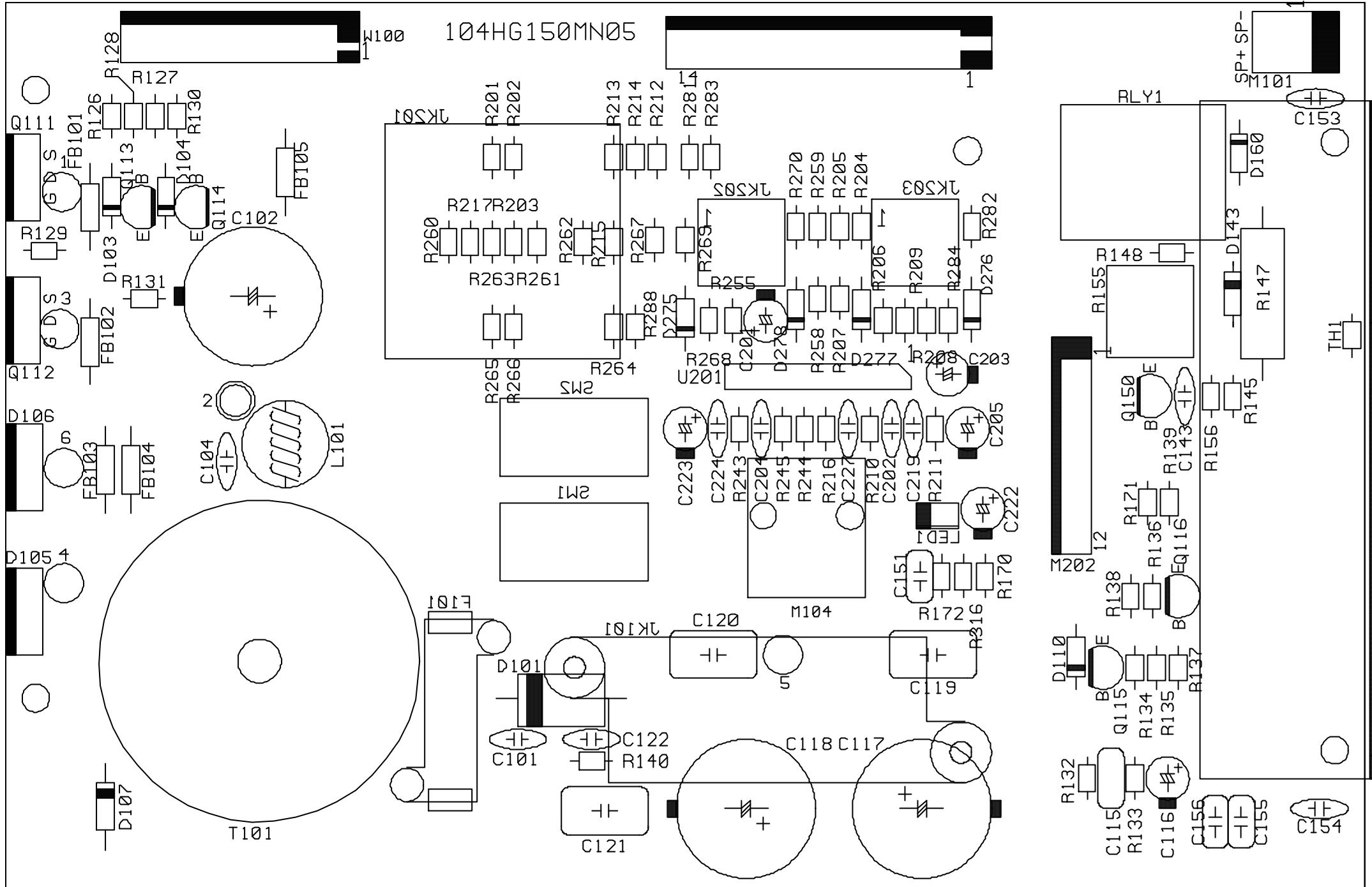




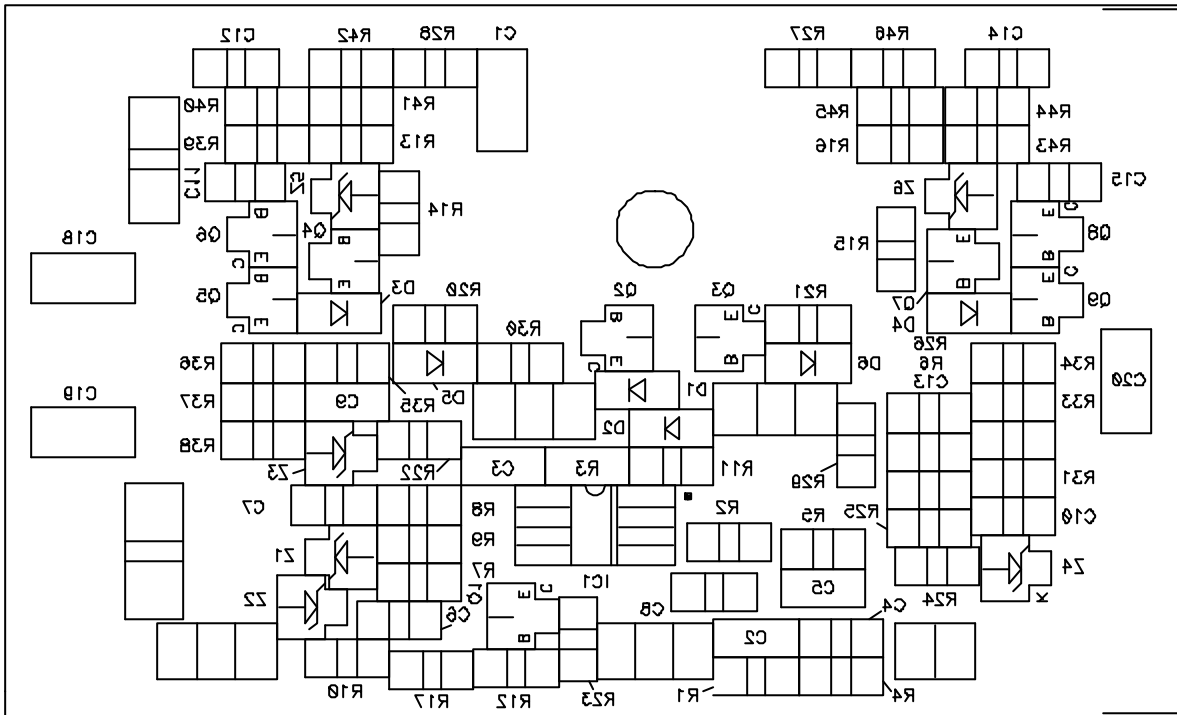
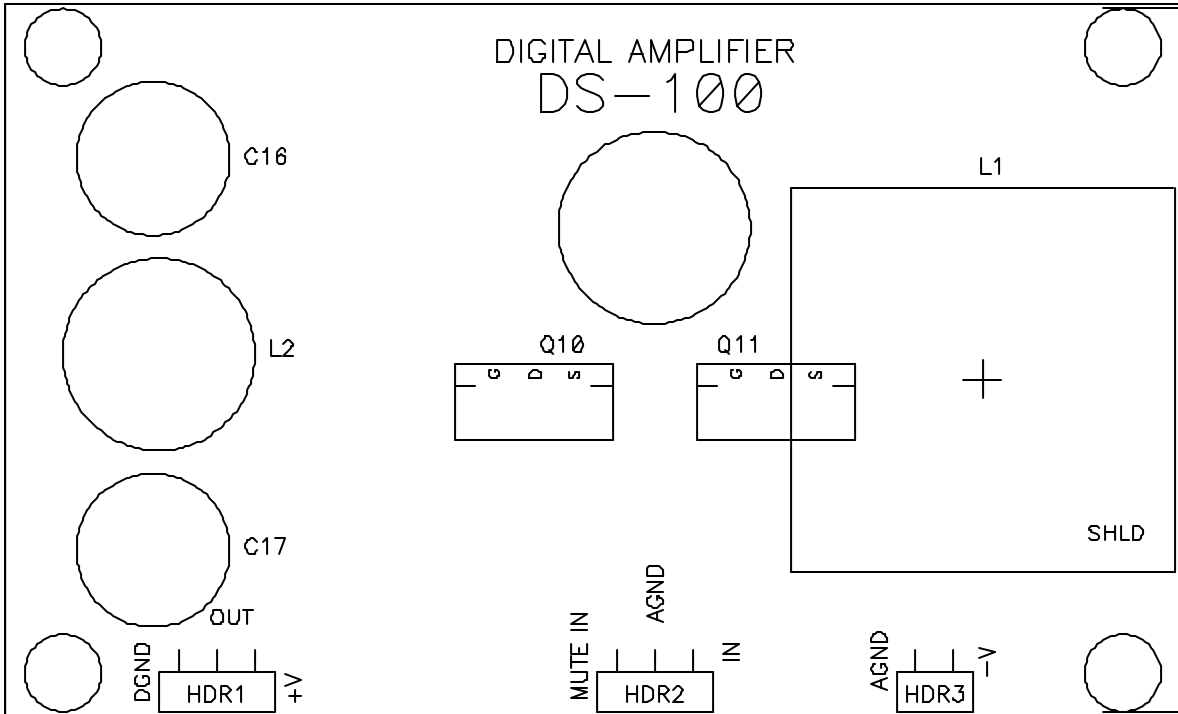
# Main PCB (Cont.)



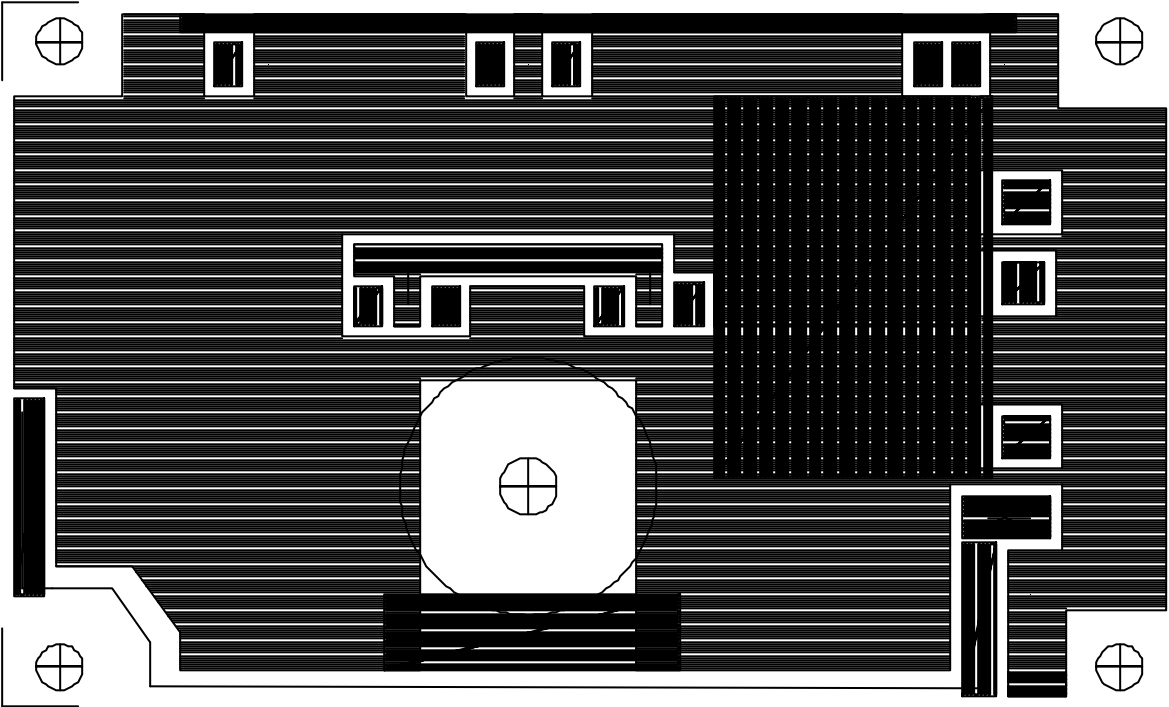
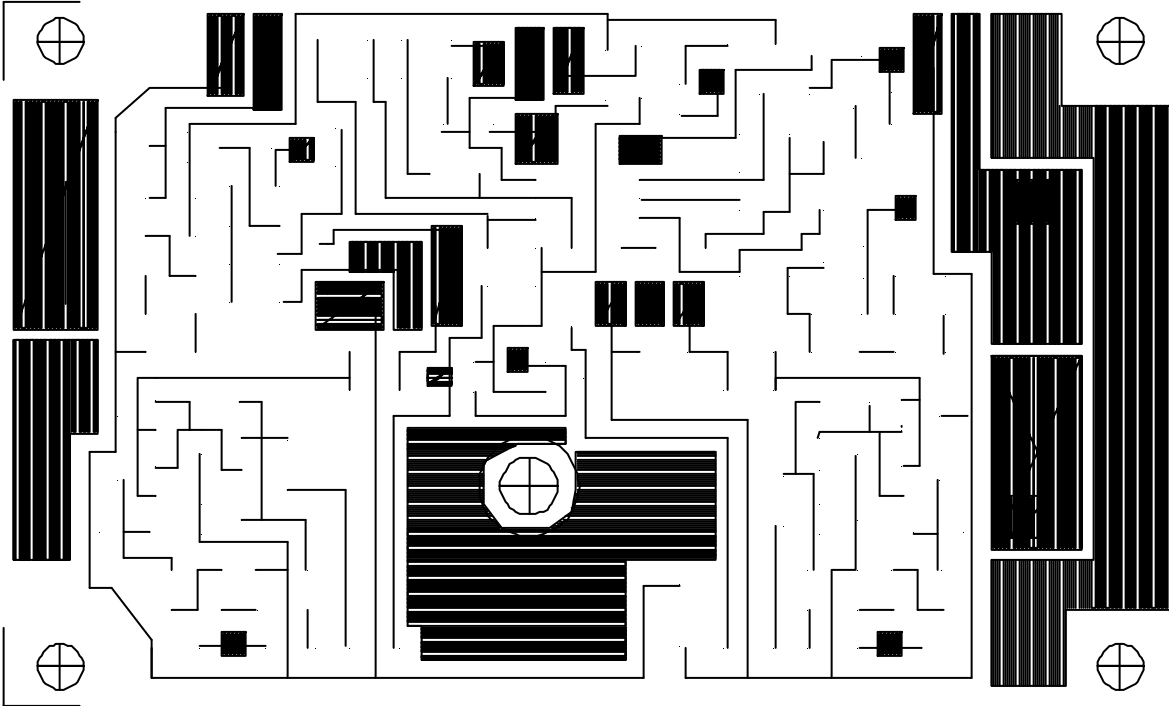
# Main PCB (Cont.)



# Power Amp PCB



# Power Amp PCB (Cont'd)



# BASSLINK (w Level Control jack) BASSLINK X

# ELECTRICAL PARTS LIST

| Part#                         | Description  | Qty | Description                    |
|-------------------------------|--|-----|--------------------------------|
| <b>Main PC Board Assembly</b> |  |     |                                |
| <b>Resistors</b>              |  |     |                                |
| 11016000j26                   | R170,171,172   | 3   | RES, 0 ohms 1/6W ±5% CF 26mm   |
| 11016101j26                   | R129,131   | 2   | RES, 100 ohms 1/6W ±5% CF 26mm |
| 11016102j26                   | R136   | 1   | RES, 1K 1/6W ±5% CF 26mm       |
| 11016103j26                   | R132,133,137,138,140,201,204,208,213,265,266,269,270 | 13  | RES, 10K 1/6W ±5% CF 26mm      |
| 11016104j26                   | R135,255   | 2   | RES, 100K 1/6W ±5% CF 26mm     |
| 11016182j26                   | R145   | 1   | RES, 1.8K 1/6W ±5% CF 26mm     |
| 11016201j26                   | R205,206,207,209,258,259,267,268                     | 8   | RES, 200K 1/6W ±5% CF 26mm     |
| 11016221j26                   | R156   | 1   | RES, 220 ohms 1/6W ±5% CF 26mm |
| 11016222j26                   | R216,243,244,245                                     | 4   | RES, 2.2K 1/6W ±5% CF 26mm     |
| 11016223j26                   | R134   | 1   | RES, 22K 1/6W ±5% CF 26mm      |
| 11016243j26                   | R210,211   | 2   | RES, 24K 1/6W ±5% CF 26mm      |
| 11016270j26                   | R126,127   | 1   | RES, 27 ohms 1/6W ±5% CF 26mm  |
| 11016471j26                   | R128,130   | 2   | RES, 470 ohms 1/6W ±5% CF 26mm |
| 11016472j26                   | R212,217,260,281,282,283,284,288                     | 8   | RES, 4.7K 1/6W ±5% CF 26mm     |
| 11016473j26                   | R148   | 1   | RES, 47K 1/6W ±5% CF 26mm      |
| 11016513j26                   | R202,203,214,215,261,262-264                         | 8   | RES, 51K 1/6W ±5% CF 26mm      |
| 11120102jk1                   | R147   | 1   | RES, METAL OXIDE 1K 2W ±5%     |
| 11350s68j00                   | R155   | 1   | RES, CEW 0.068 ohms 5W         |
| 1091ttc802j0                  | TH1  | 1   | NTC, TTC-802(JS)               |
| <b>Capacitors</b>             |  |     |                                |
| 1302b101k503                  | C151   | 1   | CAP, CA 100P 50V ±10%          |
| 1302b221k503                  | C202,204,219   | 3   | CAP, CA 220P 50V ±10%          |
| 1302f104z503                  | C101,104,122,152,153,154,224,227                     | 8   | CAP, CA 0.1U 50V +80/-20%      |
| 132104ja03                    | C115,119,120   | 3   | CAP, MY 0.1U 100V ±5%          |
| 132104kb04                    | C121   | 1   | CAP, MY 0.1U 200V ±10%         |
| 132273ja03                    | C143   | 1   | CAP, MY 0.027U 100V ±5%        |
| 1353106m50                    | C205,222,223   | 3   | CAP, E 10U 50V ±20%            |
| 1353226m50                    | C201,203   | 2   | CAP, E 22U 50V ±20%            |
| 1353335m50                    | C116   | 1   | CAP, E 3.3U 50V ±20%           |
| 1354338m25                    | C102   | 1   | CAP, E 3300U 25V ±20%          |
| 135c108m80                    | C117,118   | 2   | CAP, E 1000U 80V               |
| <b>Semiconductors</b>         |  |     |                                |
| 19006m4558l                   | U201   | 1   | I.C. NJRC NJM4558L Dual Op-Amp |
| 192027c1815gr                 | Q115   | 1   | TRANS, 2SC1815GR NPN           |
| 192027c2235y                  | Q150   | 1   | TRANS, 2SC2235Y NPN            |
| 192028a1015gr                 | Q113,114,116   | 3   | TRANS, 2SA1015GR PNP           |
| 19216355ne06                  | Q111,112   | 2   | TRANS, STP55NE06 MOSFET        |
| 19510204gd                    | LD1  | 1   | LED Green 3mm FOR ON           |
| 197131n4148                   | D103,104,110,143,160,275-278                         | 9   | Diode IN4148 26mm              |
| 197301604gd                   | D105,106   | 2   | Diode SF1604G-D                |

| Part#                | Description   | Qty | Description                        |
|----------------------|---------------|-----|------------------------------------|
| 197306a20            | D101          | 1   | Diode 6A 200V 6A20                 |
| 19730sf16            | D107          | 1   | Diode SF16                         |
| <b>Miscellaneous</b> |               |     |                                    |
| 1201000003           | FB101,2,3,4,5 | 5   | Ferrite BEAD                       |
| 12214050k4160        | L101          | 1   | Inductor 5uH 15A                   |
| 150r29191501         | T101          | 1   | Power Transf YT-802-007A           |
| 154k020a800          | F101          | 1   | ATC Fuse 20A 32V UL/CSA            |
| 1559f30240           | F101          | 1   | Fuse holder                        |
| 156b010024           | TH1           | 1   | PVC SLEEVING □1.0 24mm             |
| 171urwh112d          | RLY1          | 1   | RELAY, RWH112D                     |
| 180p752209           | SW1,2         | 2   | PUSH SW SSP752209-25JJ1            |
| 1932m1813            | Q111,2,D105,6 | 4   | Mica Pad TO-220 18*13mm            |
| 1745te112j           | JK101         | 1   | Power Supply Con Nectn TE1-12J     |
| 1749mjd0604          | M104          | 1   | PHONE JACK D/S 6P4C                |
| 1751b12v01           | M202          | 1   | Wafer 12PIN PITCH=2.0mm            |
| 1759d02v01           | M101          | 1   | Wafer 2PIN PITCH=3.96mm            |
| 1759h04v01           | JK202,3       | 2   | 4PIN Universal Interface Connector |
| 174040124bg          | JK201         | 1   | RCA JACK 4PIN                      |
| 162a040d001          | W101          | 1   | SPEAKER WIRE ASS'Y #1015 400mm     |

### Switching Controller Assembly

#### Resistors

|             |  |    |                                |
|-------------|--|----|--------------------------------|
| 11016100j26 | R109,162   | 2  | RES, 10 ohms 1/6W ±5% CF 26mm  |
| 11016102j26 | R103,115,158   | 3  | RES, 1K 1/6W ±5% CF 26mm       |
| 11016103j26 | R108,110,117,118,119,122-124,151,166,167,168,305,307,308,312 | 16 | RES, 10K 1/6W ±5% CF 26mm      |
| 11016104j26 | R114,120,150,300   | 4  | RES, 100K 1/6W ±5% CF 26mm     |
| 11016105j26 | R272,280   | 2  | RES, 1M 1/6W ±5% CF 26mm       |
| 11016106j26 | R271   | 1  | RES, 10M 1/6W ±5% CF 26mm      |
| 11016123j26 | R104   | 1  | RES, 12K 1/6W ±5% CF 26mm      |
| 11016151j26 | R311   | 1  | RES, 150 ohms 1/6W ±5% CF 26mm |
| 11016153j26 | R304,309   | 2  | RES, 15K 1/6W ±5% CF 26mm      |
| 11016154j26 | R310   | 1  | RES, 150K 1/6W ±5% CF 26mm     |
| 11016183j26 | R152   | 1  | RES, 18K 1/6W ±5% CF 26mm      |
| 11016221j26 | R102   | 1  | RES, 220 ohms 1/6W ±5% CF 26mm |
| 11016222j26 | R112   | 1  | RES, 2.2K 1/6W ±5% CF 26mm     |
| 11016223j26 | R121,164   | 2  | RES, 22K 1/6W ±5% CF 26mm      |
| 11016303j26 | R306   | 1  | RES, 30K 1/6W ±5% CF 26mm      |
| 11016393j26 | R157,163   | 2  | RES, 39K 1/6W ±5% CF 26mm      |
| 11016432j26 | R105   | 1  | RES, 4.3K 1/6W ±5% CF 26mm     |
| 11016470j26 | R165   | 1  | RES, 47 ohms 1/6W ±5% CF 26mm  |
| 11016471j26 | R153   | 1  | RES, 470 ohms 1/6W ±5% CF 26mm |
| 11016472j26 | R111,116   | 2  | RES, 4.7K 1/6W ±5% CF 26mm     |
| 11016511j26 | R302,303   | 2  | RES, 510 ohms 1/6W ±5% CF 26mm |
| 11016562j26 | R100,159   | 2  | RES, 5.6K 1/6W ±5% CF 26mm     |
| 11016681j26 | R106,107   | 2  | RES, 680 ohms 1/6W ±5% CF 26mm |
| 11016682j26 | R113   | 1  | RES, 6.8K 1/6W ±5% CF 26mm     |
| 11016822j26 | R301   | 1  | RES, 8.2K 1/6W ±5% CF 26mm     |

| Part#                 | Description  | Qty | Description                     |
|-----------------------|--|-----|---------------------------------|
| 11112332j10           | R143,144   | 2   | RES,MF 3.3K 1/2W ±5%            |
| 11130621jk3           | R141,142   | 2   | RES,MF 620 ohms 3W ±5%          |
| <b>Capacitors</b>     |  |     |                                 |
| 1302f104z503          | C106,107,109,111,112,113,127,128,133,144,160,305,306 | 13  | CAP, CA 0.1U 50V +80/-20%       |
| 1303f272ka03          | C110   | 1   | CAP, CA 2700pF 100V ±10%        |
| 132103j503            | C273   | 1   | CAP, MY 0.01U 50V ±5%           |
| 1353105m50            | C303   | 1   | CAP, E 1U 50V ±20%              |
| 1353106m50            | C301,302   | 2   | CAP, E 10U 50V ±20%             |
| 1353107m16            | C129,130   | 2   | CAP, E 100uF 16V ±20%           |
| 1353226m16            | C108   | 2   | CAP, E 22U 16V ±20%             |
| 1353227m16            | C161   | 1   | CAP, E 220U 16V ±20%            |
| 1353337m16            | C114   | 1   | CAP, E 330U 16V ±20%            |
| 1353475m50            | C304   | 1   | CAP, E 4.7U 50V ±20%            |
| 1353476m16            | C123,124   | 2   | CAP, E 47U 16V ±20%             |
| 1353476m25            | C272   | 1   | CAP, E 47U 25V ±20%             |
| 1354337m25            | C134   | 1   | CAP, E 330U 25V ±20%            |
| <b>Semiconductors</b> |  |     |                                 |
| 19915000625           | D112   | 1   | Diode 6.2V 1/2W 52mm TAP        |
| 19915001505           | D108,109   | 2   | Diode 15V 1/2W 52mm TAP         |
| 192011d669a           | Q117   | 1   | TRANS, 2SD669A                  |
| 192012b649a           | Q118   | 1   | TRANS, 2SB649A                  |
| 192027c1815gr         | Q104,106,108,110,120,121,151,271,272,273,301         | 11  | TRANS, 2SC1815GR TAP            |
| 192028a1015gr         | Q105,107,109,119,152                                 | 5   | TRANS, 2SA1015GR TAP            |
| 192028a965y           | Q103   | 1   | TRANS, 2SA965Y TAP              |
| 197131n4148           | D102,111,113,114,159,201,202                         | 7   | Diode 1N4148 26mm TAP           |
| 19006m13700n          | U301   | 1   | LM13700N JRC/NS.Dual Op-Amp     |
| 19013494cn            | U101   | 1   | NJ TL494CN P.W.M.               |
| <b>Misc.</b>          |  |     |                                 |
| 1759f40hr2            | M100,102   | 0.6 | Wafer 40PIN PITCH=2.54mm HR2*40 |

### Tone Control PC Board Assembly

#### Resistors

|             |                          |   |                            |
|-------------|--------------------------|---|----------------------------|
| 11016102j26 | R219,222,233,239         | 4 | RES, 1K 1/6W ±5% CF 26mm   |
| 11016103j26 | R221,229,285,294         | 4 | RES, 10K 1/6W ±5% CF 26mm  |
| 11016122j26 | R295                     | 1 | RES, 1.2K 1/6W ±5%CF 26mm  |
| 11016123j26 | R227,234                 | 2 | RES, 12K 1/6W ±5% CF 26mm  |
| 11016153j26 | R218,252                 | 2 | RES, 15K 1/6W ±5% CF 26mm  |
| 11016204j26 | R237                     | 1 | RES, 200K 1/6W ±5% CF 26mm |
| 11016222j26 | R228                     | 1 | RES, 2.2K 1/6W ±5% CF 26mm |
| 11016223j26 | R240,241,242,250,254,287 | 6 | RES, 22K 1/6W ±5% CF 26mm  |
| 11016243j26 | R225                     | 1 | RES, 24K 1/6W ±5% CF 26mm  |
| 11016273j26 | R274                     | 1 | RES, 27K 1/6W ±5% CF 26mm  |

| Part#       | Description  | Qty | Description                                      |
|-------------|--------------|-----|--|
| 11016333j26 | R253,277     | 2   | RES, 33K 1/6W ±5% CF 26mm                        |
| 11016392j26 | R224         | 1   | RES, 3.9K 1/6W ±5% CF 26mm                       |
| 11016393j26 | R223         | 1   | RES, 39K 1/6W ±5% CF 26mm                        |
| 11016432j26 | R279         | 1   | RES, 4.3K 1/6W ±5% CF 26mm                       |
| 11016472j26 | R275,276     | 2   | RES, 4.7K 1/6W ±5% CF 26mm                       |
| 11016473j26 | R257,273,290 | 3   | RES, 47K 1/6W ±5% CF 26mm                        |
| 11016474j26 | R220,278     | 2   | RES, 470K 1/6W ±5% CF 26mm                       |
| 11016511j26 | R200,256,286 | 3   | RES, 510 ohms 1/6W ±5% CF 26mm                   |
| 11016562j26 | R238         | 1   | RES, 5.6K 1/6W ±5% CF 26mm                       |
| 11016683j26 | R251         | 1   | RES, 68K 1/6W ±5% CF 26mm                        |
| 11016755j26 | R293         | 1   | RES, 7.5M 1/6W ±5% CF 26mm                       |
| 115v503b101 | VR201        | 1   | POT 50KB R0901N-5KD1-B50K                        |
| 115v503b201 | VR202,203    | 2   | POT 50KBX2 R0901G-5KD1-B50K Bass Boost/Crossover |

### Capacitors

|              |                              |   |                           |
|--------------|------------------------------|---|---------------------------|
| 129a104j633  | C211                         | 1 | CAP, F 0.1U 63V ±5% MSC   |
| 129a224j633  | C215                         | 1 | CAP, F 0.22UF 63V ±5% MSC |
| 129a334j633  | C260,261,262,263             | 4 | CAP, F 0.33uF 63V ±5% MSC |
| 129a394j633  | C210                         | 1 | CAP, F 0.39uF 63V ±5% MSC |
| 129a823j633  | C216                         | 1 | CAP, F 0.082U 63V ±5% MSC |
| 1302b101k503 | C214                         | 1 | CAP, CA 100P 50V ±10%     |
| 1302b101k503 | C217,242,252,253             | 4 | CAP, CA 100P 50V ±10%     |
| 1302f104z503 | C229,231,233-235,268,269,274 | 8 | CAP, CA 0.1U 50V +80/-20% |
| 132103j503   | C270,271                     | 2 | CAP, MY 0.01U 50V ±5%     |
| 1353106m50   | C228,230,232,266,267         | 5 | CAP, E 10U 50V ±20%       |
| 1353226m16   | C264                         | 1 | CAP, E 22U 16V ±20%       |
| 1353476m16   | C251                         | 1 | CAP, E 47U 16V ±20%       |

### Semiconductors

|               |              |   |                                      |
|---------------|--------------|---|--------------------------------------|
| 19006m4558l   | U200,203-206 | 5 | I.C. NJRC NJM4558L Dual Op-Amp       |
| 192027c1815gr | Q200,201     | 2 | TRANS, 2SC1815GR NPN                 |
| 192028a1015gr | Q202         | 1 | TRANS, 2SA1015GR PNP                 |
| 19510204hd    | LD201        | 1 | LED RED 3mm POWER (BASSLINK ONLY)    |
| 19510204ubd   | LD201        | 1 | LED BLUE 3mm POWER (BASSLINK X ONLY) |
| 197131n4148   | D201,202     | 2 | Diode 1N4148 26mm                    |

### Miscellaneous

|             |      |   |                                    |
|-------------|------|---|------------------------------------|
| 16250269001 | W202 | 1 | 12Pins Multi Wires Connector Ass'y |
|-------------|------|---|------------------------------------|

### Power Amplifier PC Board Assembly

#### Resistors

|              |             |    |                      |
|--------------|-------------|----|----------------------|
| 11812061001j | R2,11,29,30 | 4  | RES, 1K 1206 5%      |
| 11812061002j | R7,9,25     | 3  | RES, 10K 1206 5%     |
| 118120610r0j | R22,23      | 2  | RES, 10 ohms 1206 5% |
| 11812061201j | R31-46      | 16 | RES, 1.2K 1206 5%    |
| 11812062002j | R26         | 1  | RES, 20K 1206 5%     |
| 11812062201j | R6,13,16    | 3  | RES, 2.2K 1206 5%    |



| Part#        | Description  | Qty | Description           |
|--------------|--------------|-----|-----------------------|
| 11812062701j | R10          | 1   | RES, 2.7K 1206 5%     |
| 11812063000j | R24          | 1   | RES, 300 ohms 1206 5% |
| 11812063301j | R14,15,27,28 | 4   | RES, 3.3K 1206 5%     |
| 11812063902j | R3           | 1   | RES, 39K 1206 5%      |
| 11812064700j | R8           | 1   | RES, 470 ohms 1206 5% |
| 11812064701j | R1,5,12      | 3   | RES, 4.7K 1206 5%     |
| 11812064702j | R17          | 1   | RES, 47K 1206 5%      |
| 11812064704j | R4           | 1   | RES, 4.7M 1206 5%     |
| 118120647r0j | R20,21       | 2   | RES, 47 ohms 1206 5%  |

### Capacitors

|             |                     |   |                                  |
|-------------|---------------------|---|----------------------------------|
| 141c0101k50 | C4                  | 1 | CAP,CA 100pF 50V 10% 1206 NPO    |
| 141c0220k50 | C5                  | 1 | CAP,CA 22pF 50V 10% 1206 SMT NPO |
| 141c0561k50 | C6                  | 1 | CAP,CA 560pF 50V 10% 1206 NPO    |
| 141c6104m50 | C2,3,7,8,9,10,11,15 | 8 | CAP,CA 0.1uF 50V 20% 1206 Z5U    |
| 141c7223k50 | C13                 | 1 | CAP,CA 0.022uF 50V 10% 1206 X7R  |
| 141d7104ka0 | C12,14,18,19,20     | 5 | CAP,NP 0.1uF 100V 10% 1210 X7R   |
| 141d7104kb0 | C1                  | 1 | CAP,NP 0.1uF 200V 10% 1210 X7R   |
| 128e106ma01 | C16,17              | 2 | CAP,E NP 10uF 100V 20%           |

### Semiconductors

|               |              |   |                                  |
|---------------|--------------|---|----------------------------------|
| 19016tl072dts | IC1          | 1 | SMD I.C TL072CDT Dual Op-Amp     |
| 19209124126qs | Q1,4,5       | 3 | TRANS, 2SC2412K-T146Q/R ROHM NPN |
| 19209139066rs | Q2,8         | 2 | TRANS, 2SC3906K-T146R ROHM NPN   |
| 19209210376qs | Q7,9         | 2 | TRANS, 2SA1037K-T146Q/R ROHM NPN |
| 19209215146rs | Q3,6         | 2 | TRANS, 2SA1514K-T146R ROHM NPN   |
| 192232irf9640 | Q10          | 1 | TRANS, IRF9640 IR PNP TO220      |
| 192233irf640  | Q11          | 1 | TRANS, IRF640 IR FET N-CH TO-220 |
| 19703rls4148s | D1,2,3,4,5,6 | 6 | Diode RLS4148-TE11 ROHM          |
| 19915000563s  | Z1,2         | 2 | Diode 5.6V 5% ZENER BZX84-C5V6   |
| 19915001203s  | Z5,6         | 2 | Diode 12V 5% ZENER BZX84-C12     |
| 19915001503s  | Z3,4         | 2 | Diode 15V 5% ZENER BZX84-C15     |

### Miscellaneous

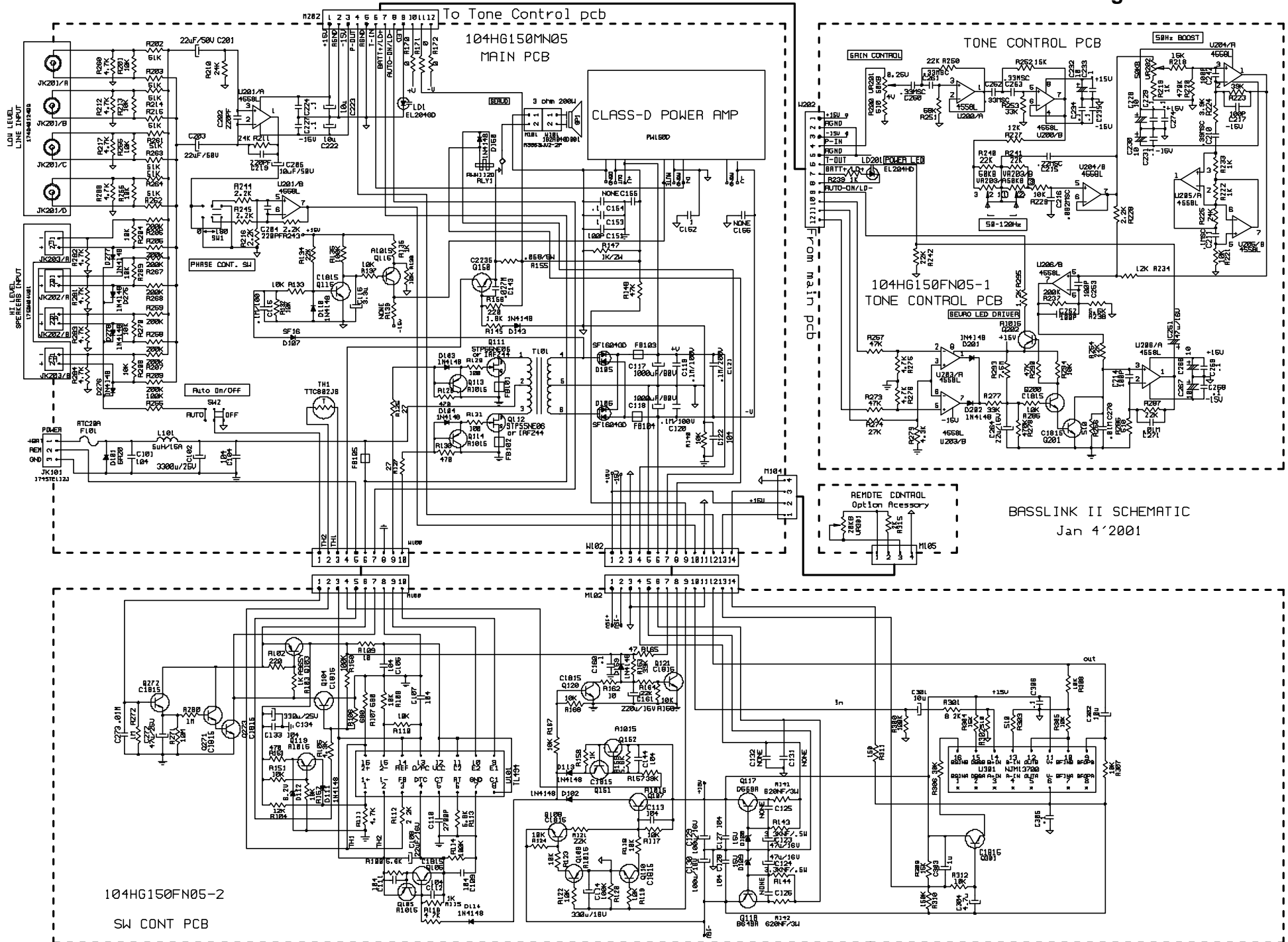
|               |    |     |                                 |
|---------------|----|-----|---------------------------------|
| 12214121m4191 | L1 | 1   | Ferrite core LS-A6206-ST EFD-30 |
| 12214350j4180 | L2 | 1   | Inductor 35uH                   |
| 1759f40hr2    |    | 0.2 | Wafer 40PIN PITCH=2.54mm HR2*40 |

### MISCELLANEOUS/MECHANICAL (See pages 31-32 for more external parts)

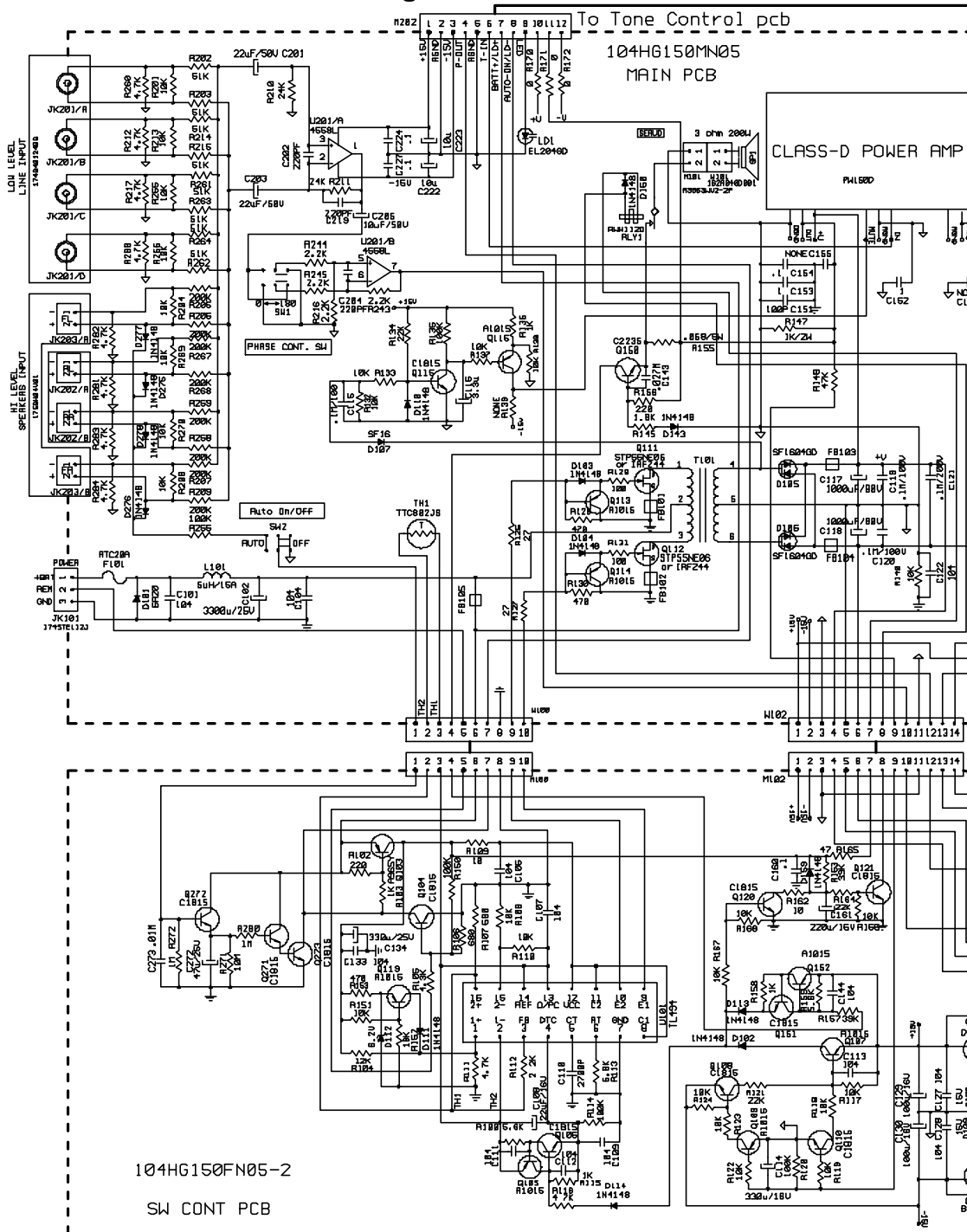
|              |                    |   |                                |
|--------------|--------------------|---|--------------------------------|
| 602p4300800  | PCB TO P/S-1       | 1 | SCREW M3*8                     |
| 602p4301200  | H/S TO IC-4        | 4 | SCREW M3*12                    |
| 607p4300800  | PCB TO H/S-2       | 2 | SCREW □3*8                     |
| 622r030803   | AC JK-2            | 2 | FIBER WASHER 3*8*0.3t          |
| 712led-10.5  |                    | 1 | LED HOLDER 10.5H               |
| 606c8401410  | 10"SUB SPK-8       | 8 | SCREW □4*14                    |
| 606c8401410  | FAKE SPK-8         | 8 | SCREW □4*14                    |
| 1302f104z500 | C152(DS150 TO GND) | 1 | CAP, CA 0.1u 50V               |
| 162a040d001  | W101               | 1 | SPEAKER WIRE ASS'Y #1015 400mm |

| Part#       | Description                     | Qty | Description                                     |
|-------------|---------------------------------|-----|---|
| 162a600d001 |                                 | 1   | ACCESSRY WIRE 6000mm                            |
| 162a600d002 |                                 | 1   | ACCESSRY WIRE 6000mm                            |
| 193201815t2 | Q10,1                           | 2   | CERAMIC ISOLATOR                                |
| 600n8402000 | T/C TO L/C-13                   | 13  | SCREW □4*20                                     |
| 602p8300800 | R/P TO PS-1                     | 1   | SCREW M3*8                                      |
| 602p8301200 | R/P TO T/L COVER-6              | 6   | SCREW M3*12                                     |
| 602p8301600 | H/S TO DS-100 PCB-1             | 1   | SCREW M3*16                                     |
| 606c8301008 | PCB TO BOSS-2                   | 2   | SCREW □3*10                                     |
| 606p8201000 | FUSE HOLDER-2                   | 2   | SCREW □2*10                                     |
| 606p8301000 | RCA JK-1/AC JK-2,PCB TO BOSS-2  | 5   | SCREW □3*10                                     |
| 606p8401200 | R/P TP T/L COVER-8,L/C TO T/C-2 | 10  | SCREW □4*12                                     |
| 607p4300800 | PCB TO H/S-2                    | 2   | SCREW □3*8                                      |
| 607p8300800 | R/P TO H/S-4                    | 4   | SCREW □3*8                                      |
| 610hm3b     |                                 | 1   | SCREW M3  |
| 620f2421008 |                                 | 1   | WASHER 4.2*10*0.8T                              |
| 622r030805  | PCB-1                           | 1   | FIBER WASHER 3□*8□*0.5t                         |
| 723a10      |                                 | 2   | EVA 300*14.2*1t                                 |
| 723c150-2   |                                 | 2   | EVA 143*10.75*2t                                |
| 723d150-2   |                                 | 2   | EVA 182.5*18.5*2t                               |
| 723e150-3   |                                 | 2   | EVA 160*4*1t                                    |
| 723h150-1   |                                 | 2   | EVA 35*6*1t                                     |
| 725a150     |                                 | 1   | RUBBER SEAL 2.5□*1100L                          |
| 725b150-1   |                                 | 1   | RUBBER PACKING DOUBLE SIDE ADHESIVE 93.3*83.3*2 |
| 725d150     |                                 | 1   | RUBBER PACKING SINGLE SIDE ADHESIVE 65*24*1T    |

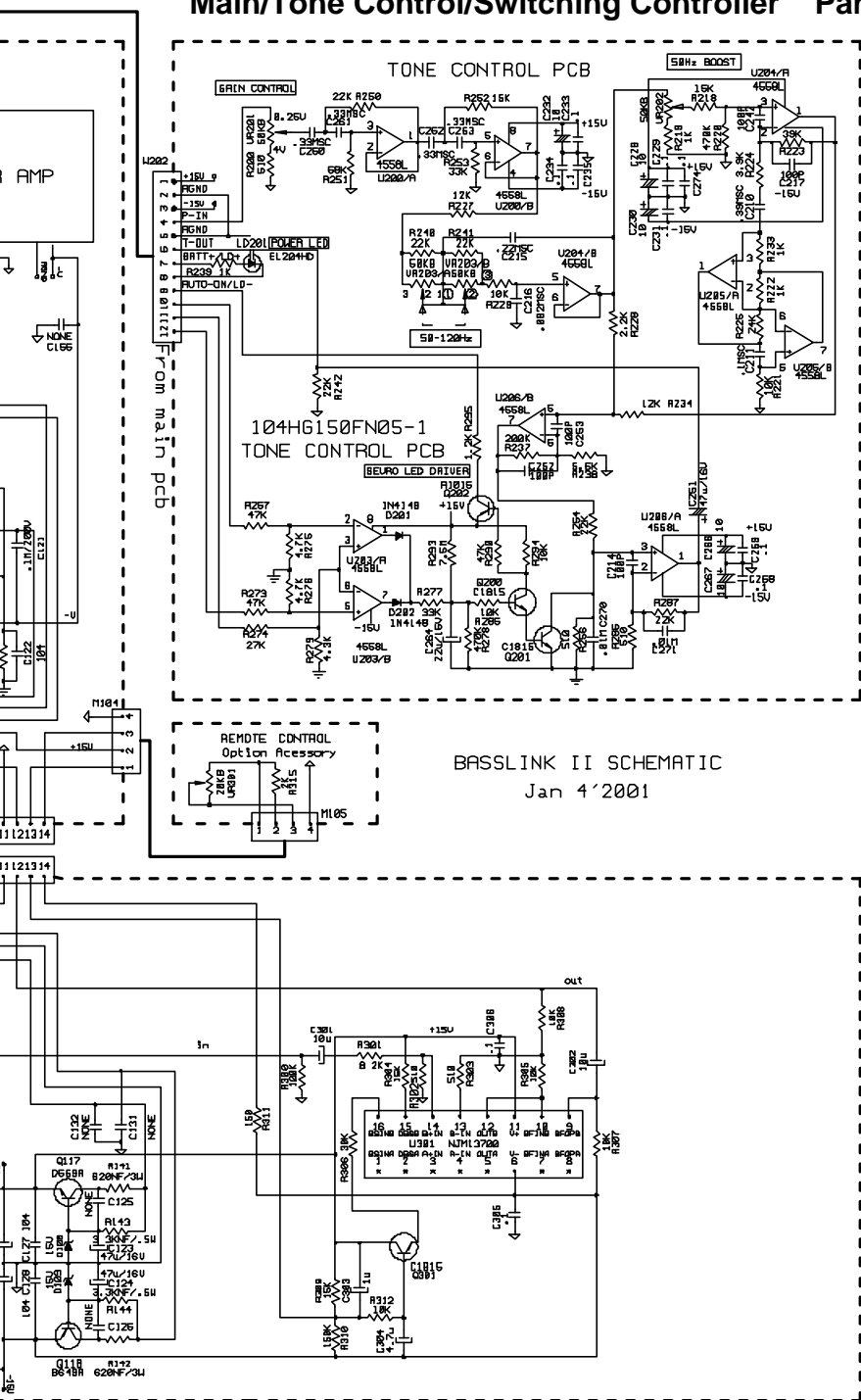
# Main/Tone Control/Switching Controller



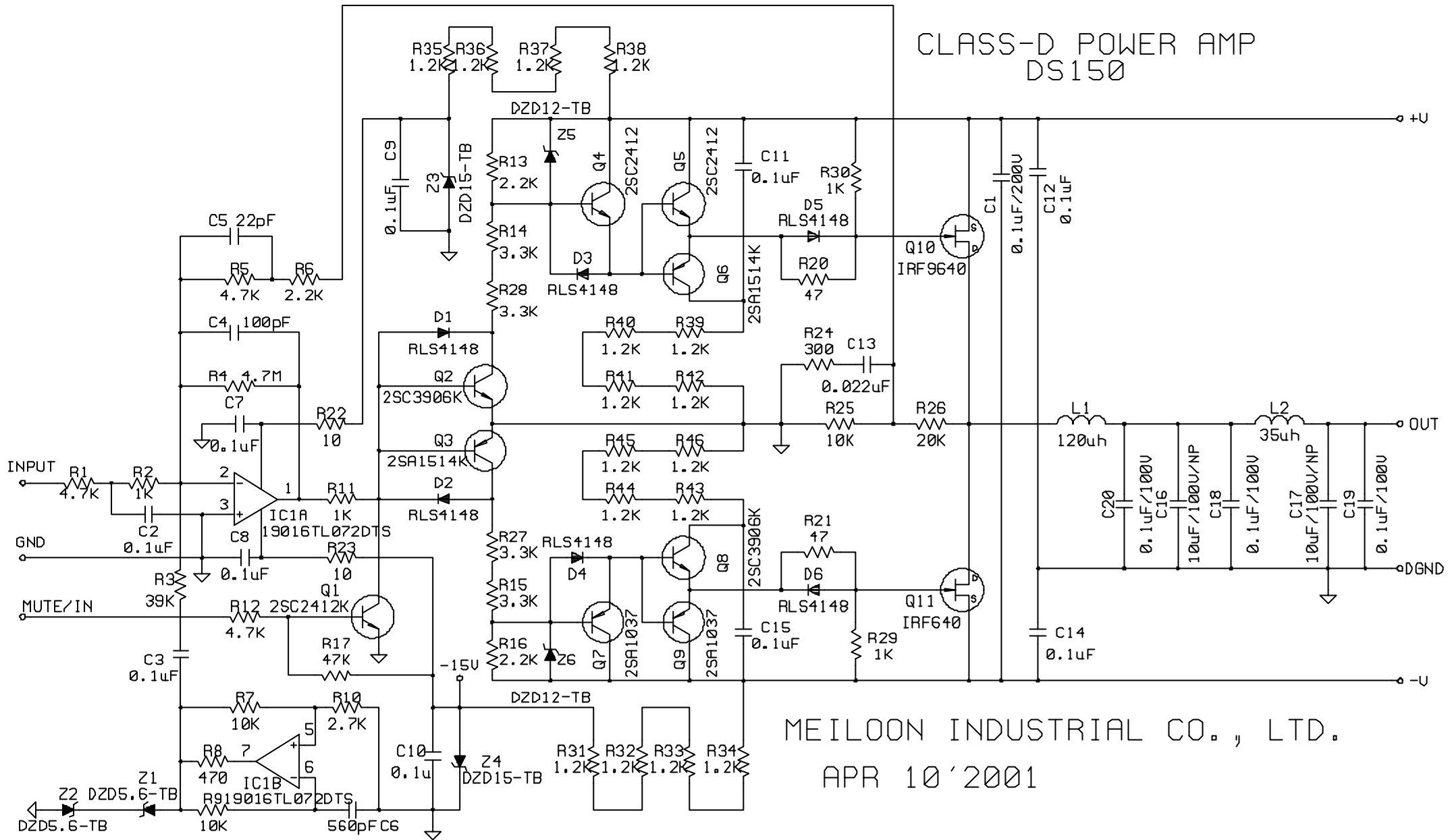
# Main/Tone Control/Switching Controller Part1



# Main/Tone Control/Switching Controller Part2

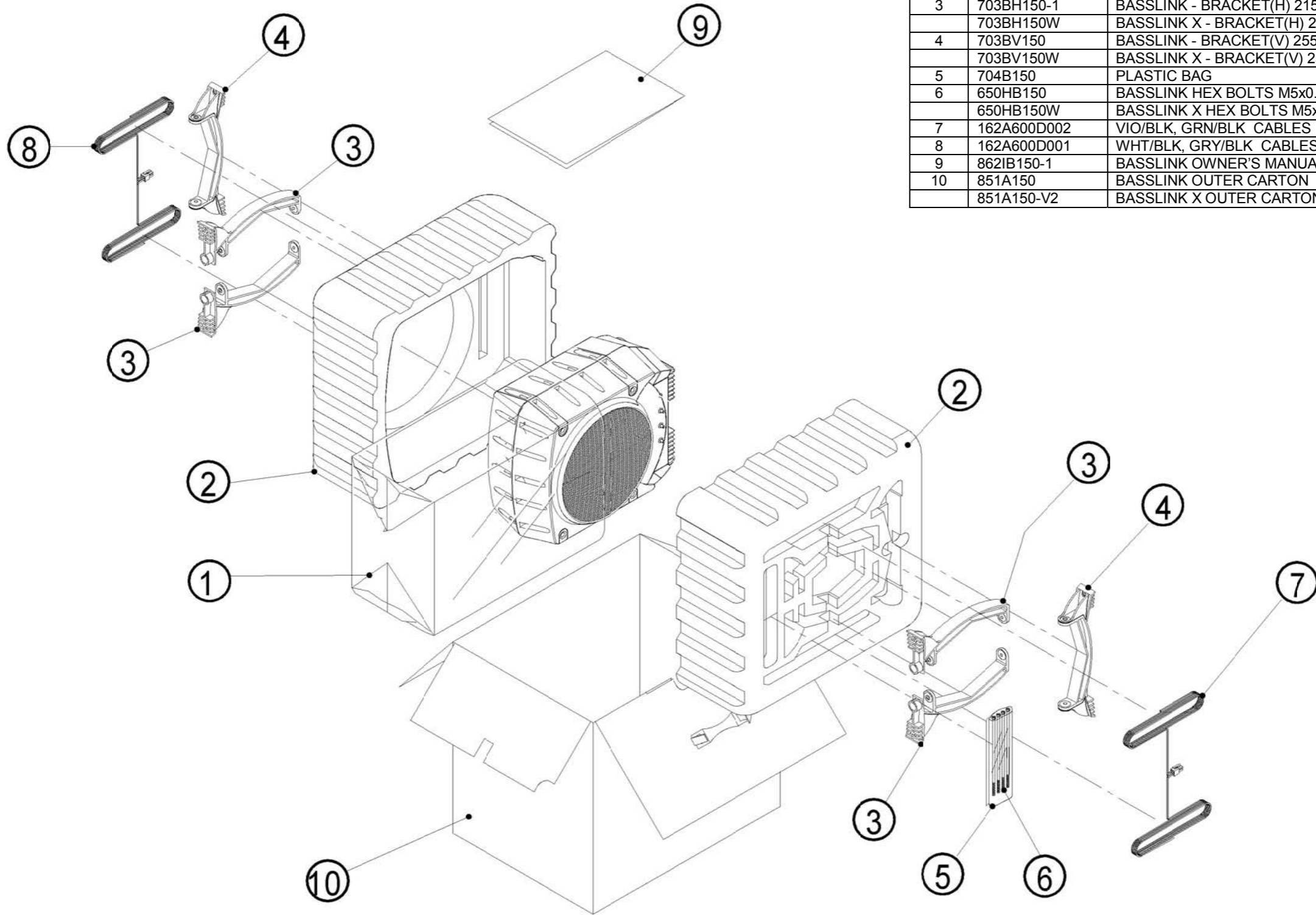


# Schematics (Cont.)



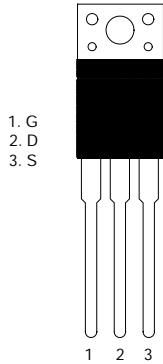
**BASSLINK (W/REMOTE LEVEL CONTROL)**  
**BASSLINK X PACKAGING**

| Ref# | Part#       | Description                                    | Qty |
|------|-------------|--|-----|
| 1    | 704A150     | PLASTIC BAG                                    | 1   |
| 2    | 706SB150    | BASSLINK FOAM ENDS                             | 2   |
| 3    | 703BH150-1  | BASSLINK - BRACKET(H) 215.7*81*33*5T (BLACK)   | 4   |
|      | 703BH150W   | BASSLINK X - BRACKET(H) 215.7*81*33*5T (WHITE) | 4   |
| 4    | 703BV150    | BASSLINK - BRACKET(V) 255*64.5*33*5T (BLACK)   | 2   |
|      | 703BV150W   | BASSLINK X - BRACKET(V) 255*64.5*33*5T (WHITE) | 2   |
| 5    | 704B150     | PLASTIC BAG                                    | 1   |
| 6    | 650HB150    | BASSLINK HEX BOLTS M5x0.8P x 180L              | 4   |
|      | 650HB150W   | BASSLINK X HEX BOLTS M5x0.8P x 180L            |     |
| 7    | 162A600D002 | VIO/BLK, GRN/BLK CABLES                        | 1   |
| 8    | 162A600D001 | WHT/BLK, GRY/BLK CABLES                        | 1   |
| 9    | 862IB150-1  | BASSLINK OWNER'S MANUAL                        | 1   |
| 10   | 851A150     | BASSLINK OUTER CARTON                          | 1   |
|      | 851A150-V2  | BASSLINK X OUTER CARTON                        | 1   |

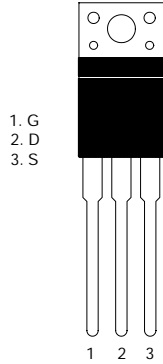


# Integrated Circuit Diagrams

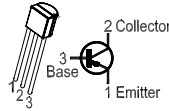
MOSFET  
IRFZ44/STP55NE06  
Q111, 112



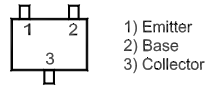
MOSFET, TO220  
IRF640, 9640  
Q11, 10



TRANS, PNP, 2SA1015GR, 2SA965Y  
Q107, 109, 113, 114, 116, 152, 118  
202, 103, 105, 119



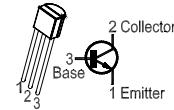
TRANS, NPN 2SC2412K, 2SC3906K  
PNP, 2SA1514K, 2SA1037K  
2SC1815GR, 2SA965Y  
Q1, 2, 3, 4, 5, 6, 7, 8, 9



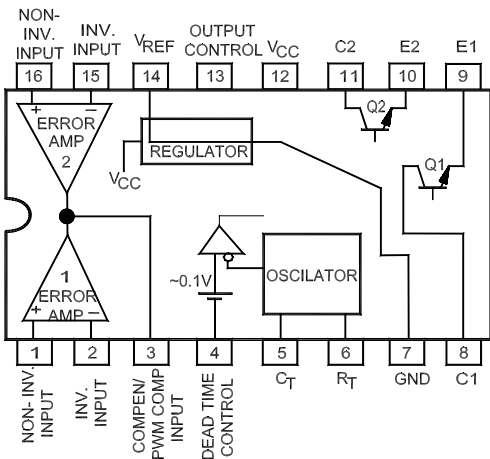
TRANS NPN, PNP  
2SD669A, 2SB649A  
Q117, 118



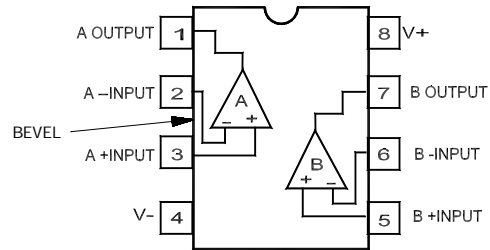
TRANS, NPN, 2SC1815GR, 2SC2235  
Q108, 110, 115, 118, 120, 121, 151, 271  
272, 273, 117, 150, 200, 201, 301, 104, 106



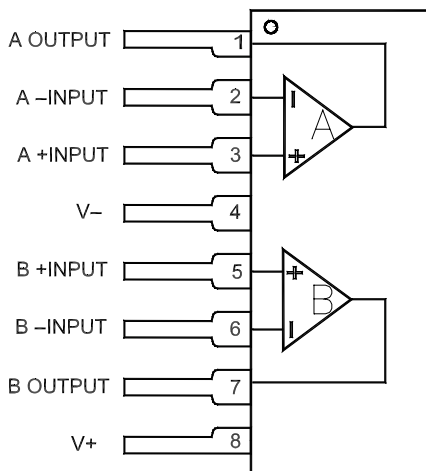
IC TL494 PWM  
U101



OPAMP, DUAL 8  
PIN, TLO72  
IC1



OPAMP, DUAL 8 PIN  
4558L  
U201, 200, 203, 204, 205, 206



OPAMP, DUAL 16 PIN  
NJM13700N  
U301

