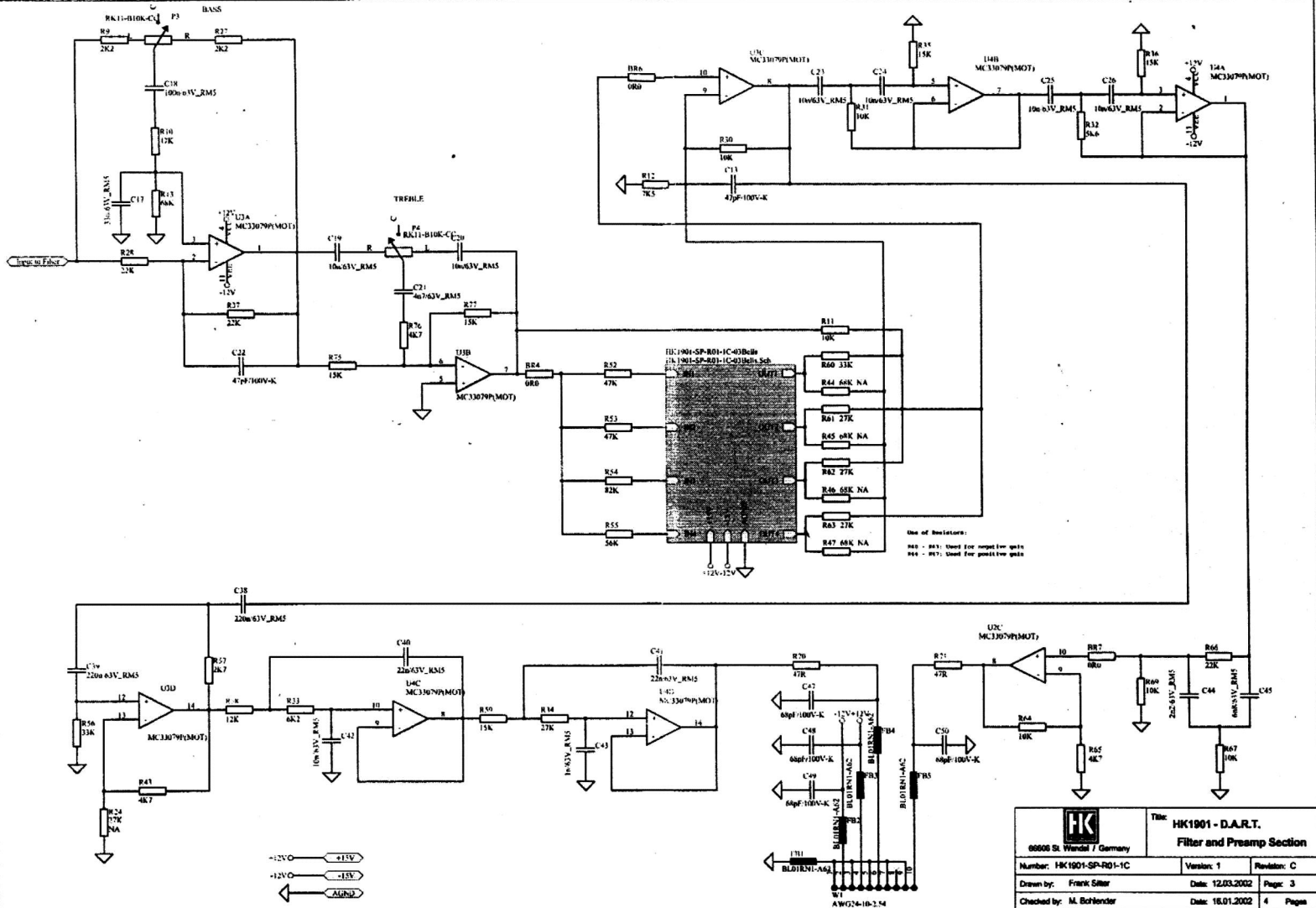



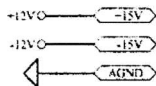
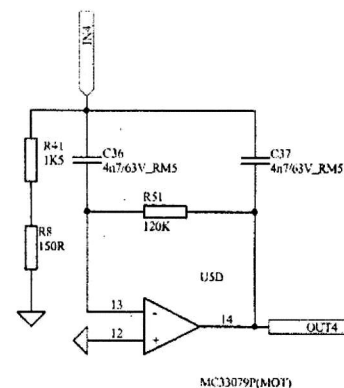
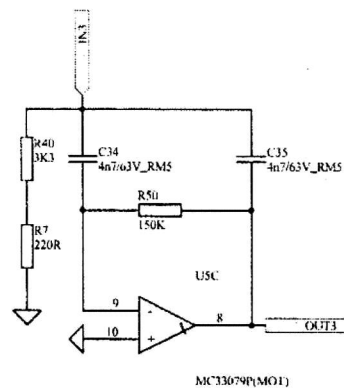
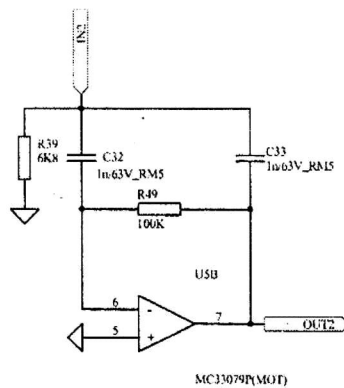
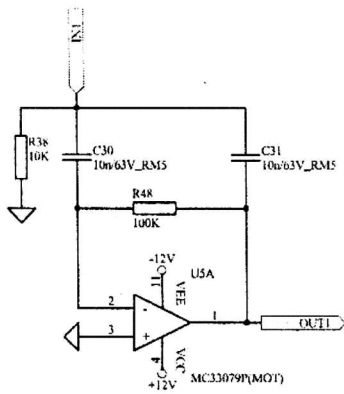
All rights reserved. No part of this schematic may be reproduced, stored in a retrieval system, transmitted in any form or by any means, electronic, mechanical, photocopying, recording or otherwise, without the prior permission of the author.

	<b>Title: HK1901 D.A.R.T. Input Section</b>	
	60008 SK Wenzel / Germany	
Number: HK1901-SP-R01-1C	Version: 1	Revision: C
Drawn by: F.Silber	Date: 12.03.2002	Page: 2
Checked by: Name	Date: 01.01.2001	4 Pages
Material:	Surface:	
Filename: HK1901-SP-R01-1C-01Input.Bch		




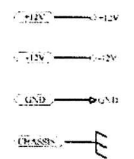
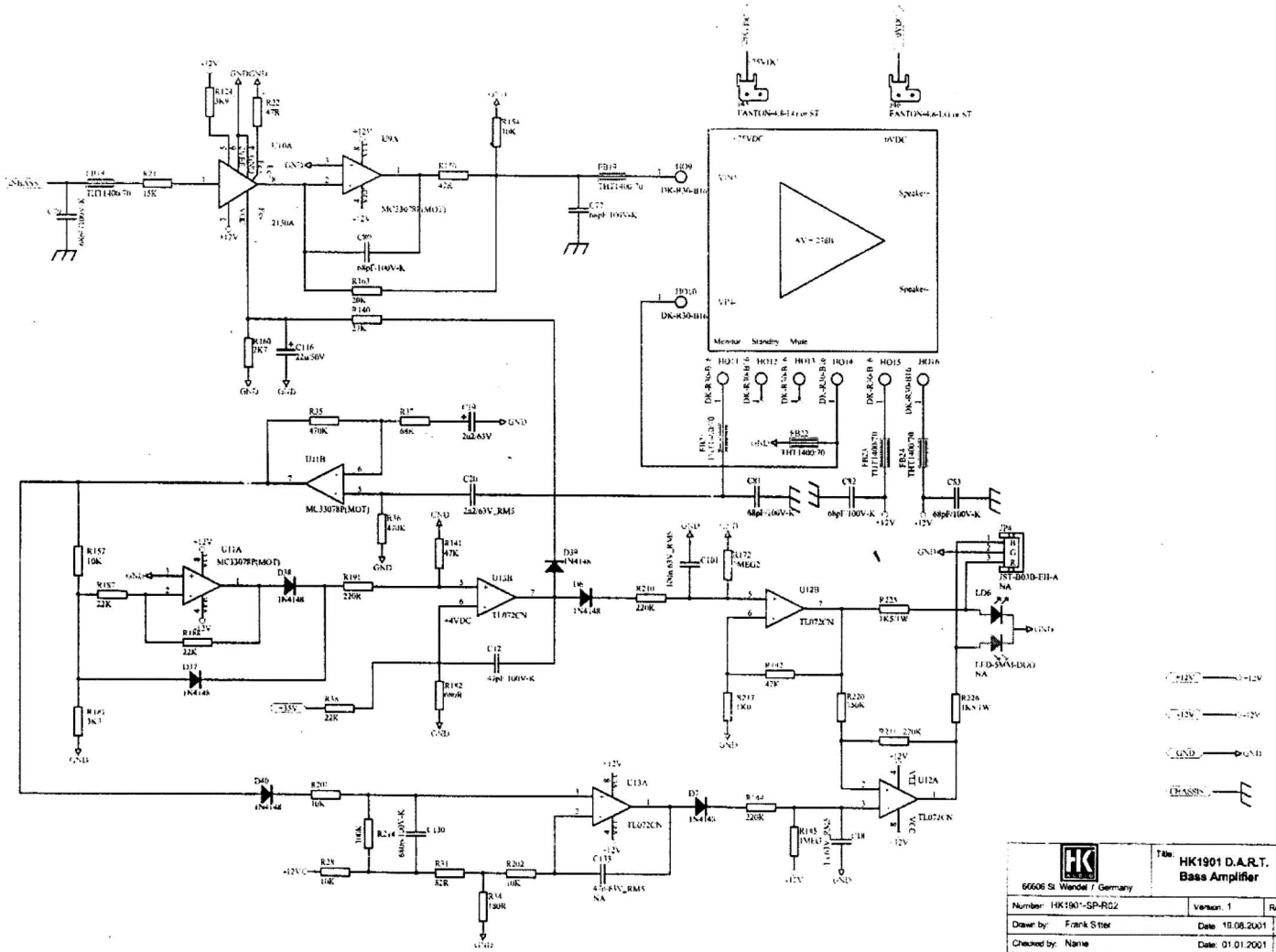
Use of Designators:  
 R40 - R43: Used for negative gain  
 R44 - R47: Used for positive gain

		Title: <b>HK1901 - D.A.R.T.</b>	
		Filter and Preamp Section	
66606 St. Wendel 7 Germany		Number: <b>HK1901-SP-RD1-1C</b>	Version: 1
Revision: C		Drawn by: Frank Siller	Date: 12.03.2002
Checked by: M. Böhler		Date: 16.01.2002	4 Pages
Material:		Surface:	
Filename: HK1901-SP-RD1-1C-02Pflus.Sch			



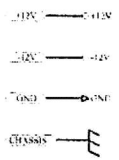
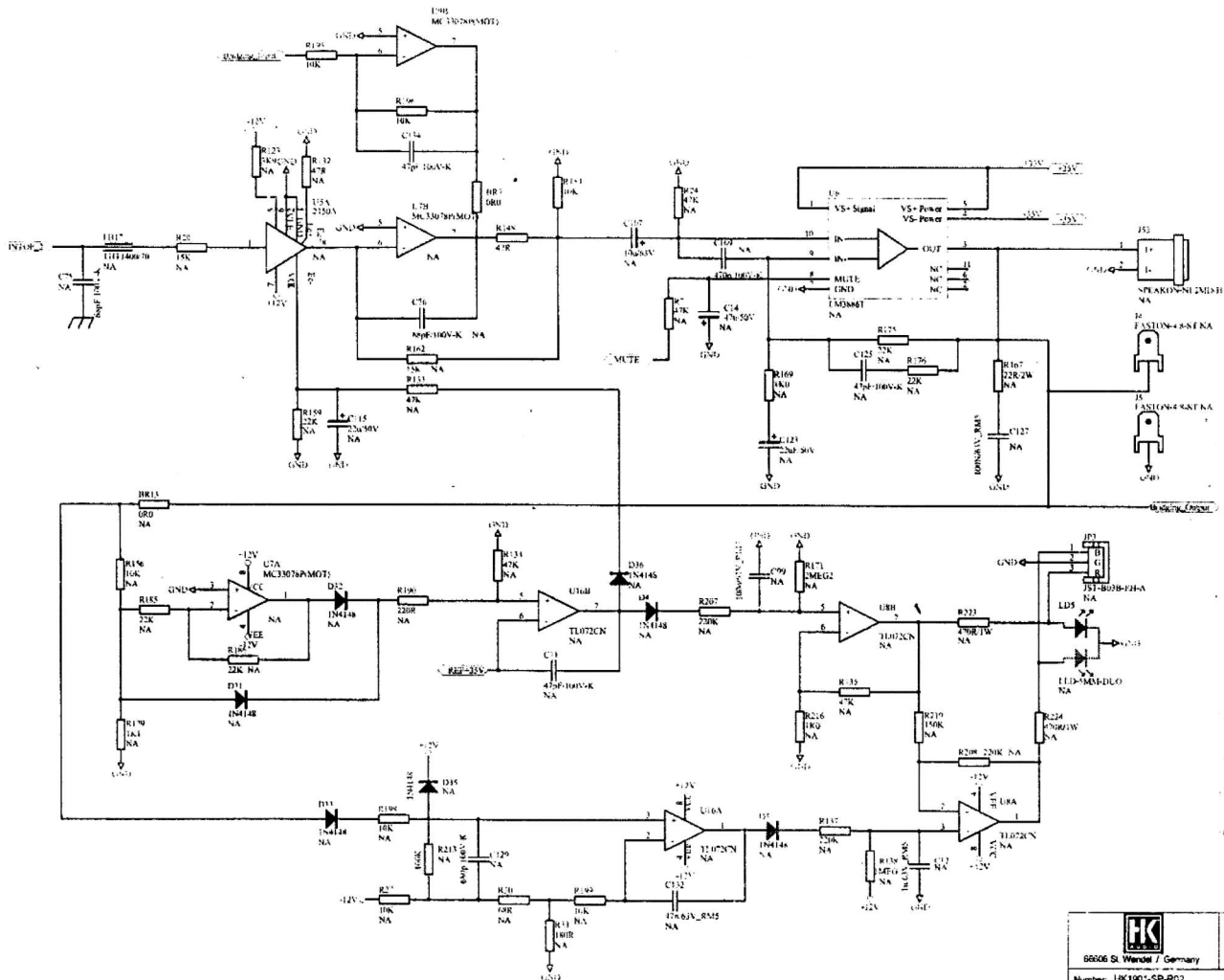
All rights reserved. No part of this schematic may be reproduced, stored in a retrieval system, transmitted in any form or by any means, electronic, mechanical, photocopying, recording or otherwise, without the prior permission of the author.


		Title: <b>HK1901 - D.A.R.T.</b>	
		66606 SL Wendel / Germany	
Number: HK1901-SP-R01-1C		Version: 1	Revision: C
Drawn by: M.Bohlender		Date: 15.02.2002	Page: 4
Checked by: F.Sitter		Date: 12.03.2002	4 Pages
Material:		Surface:	
Filename: HK1901-SP-R01-1C-03Bells.Sch			

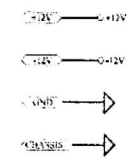
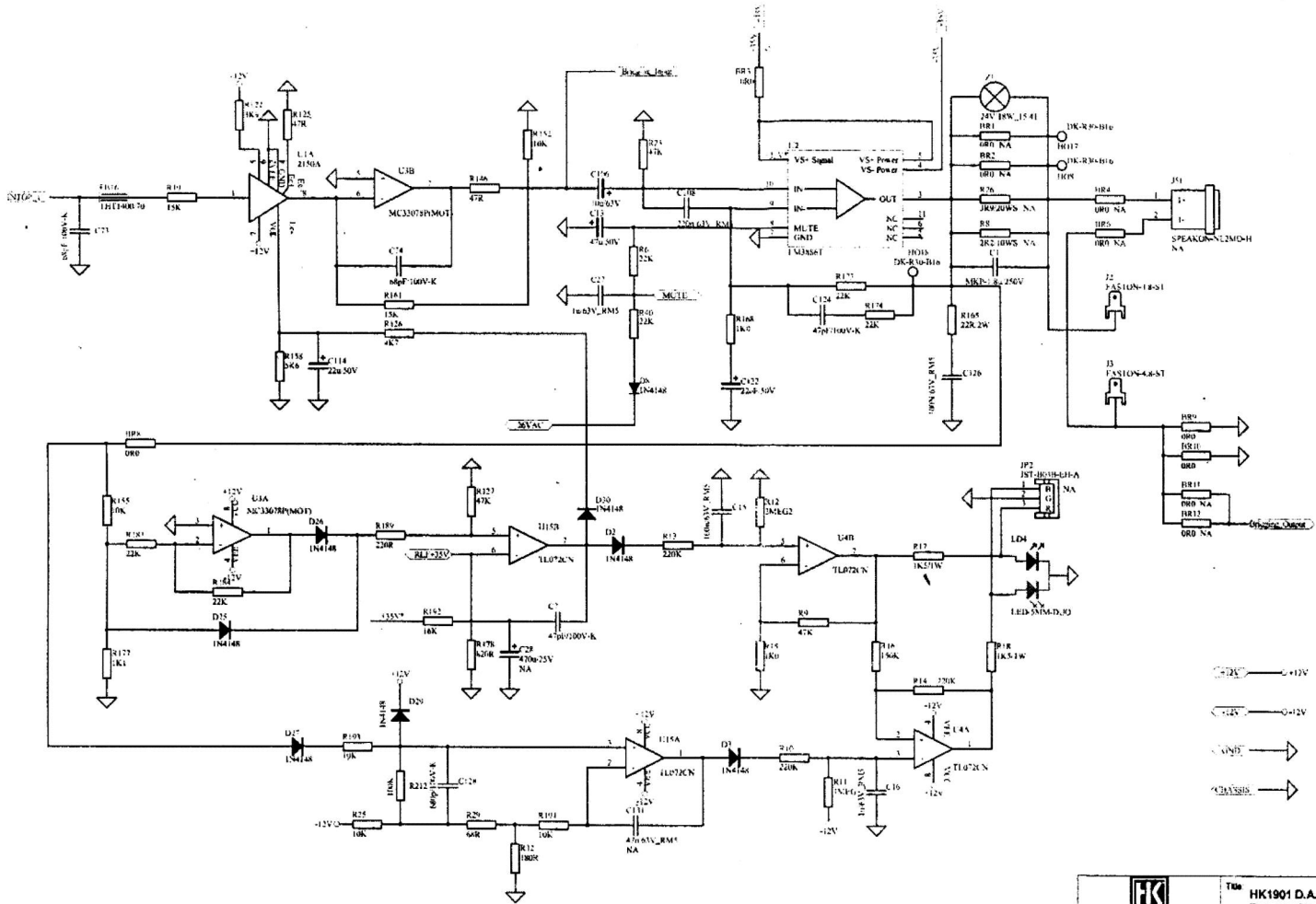


		<b>Title: HK1901 D.A.R.T. Bass Amplifier</b>	
		60606 St. Wendel / Germany	
Number: HK1901-SP-R02	Version: 1	Revision: E	
Drawn by: Frank Sitar	Date: 10.08.2001	Page: 4	
Checked by: Name	Date: 01.01.2001	5 Pages	
Material:	Surface:		
Filename: Bass_Amplifier_Sch			

All rights reserved. No part of this schematic may be reproduced, stored in a retrieval system, transmitted in any form or by any means, electronic, mechanical, photocopying, recording or otherwise, without the prior permission of the author.

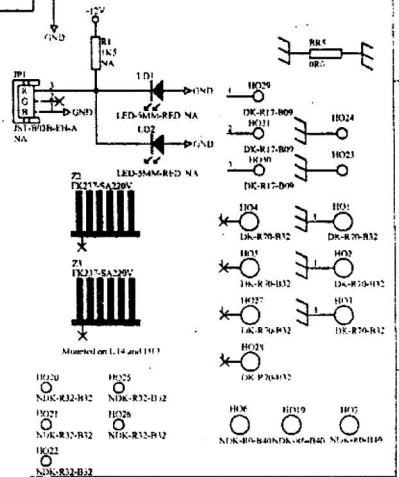
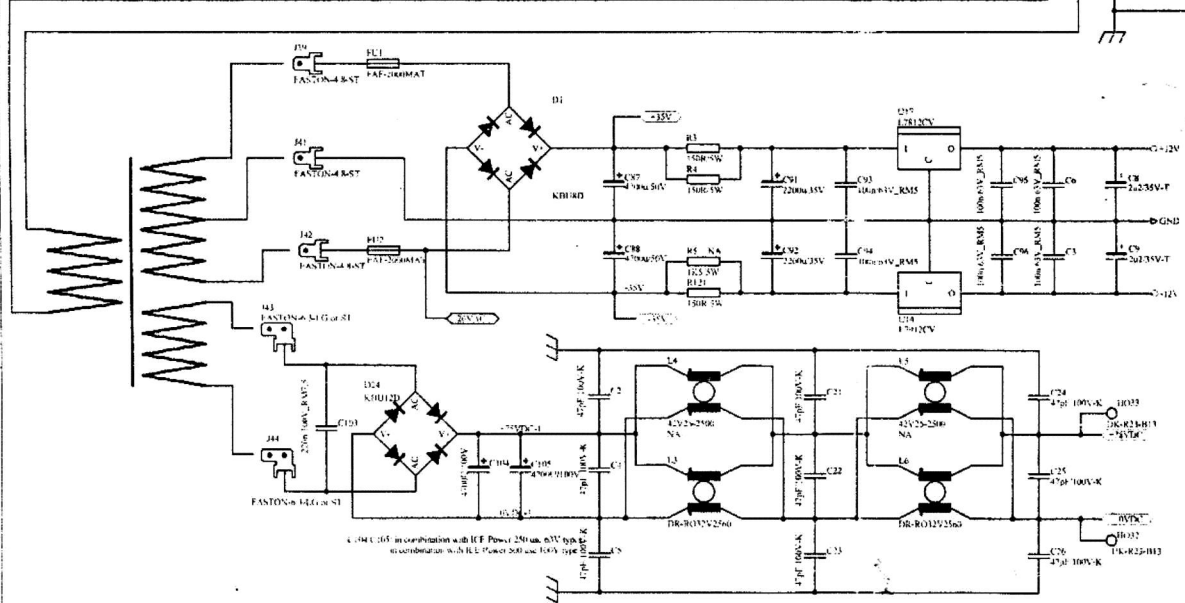
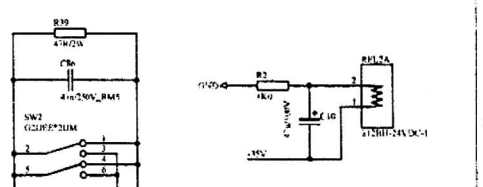
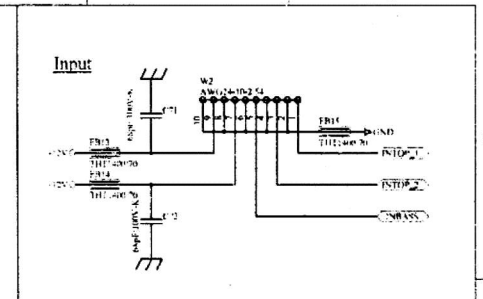
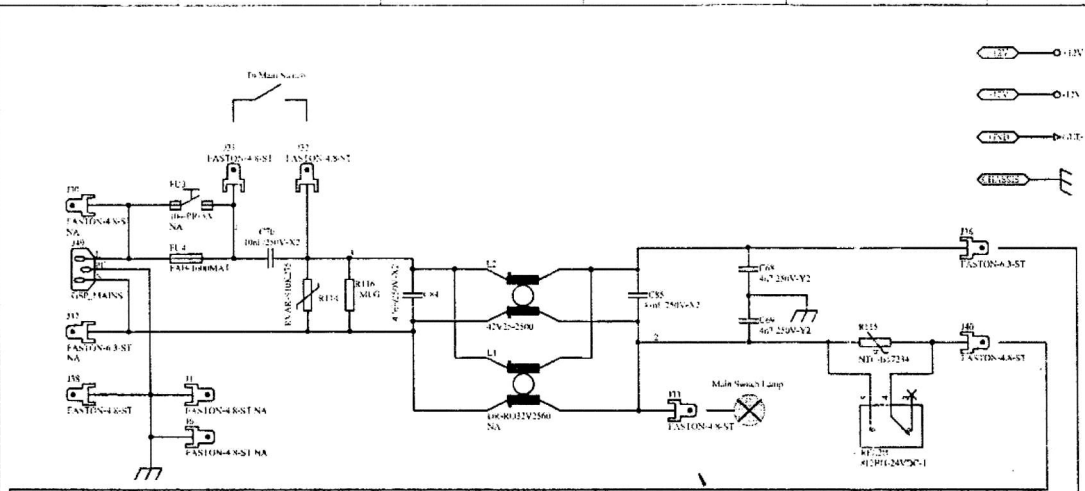


		<b>Titel: HK1901 D.A.R.T.</b> <b>Top Amplifier 2</b>	
		86006 St. Wendel 7, Germany	
Number: 1BK190-SP-R02	Version: 1	Revision: E	
Drawn by: Frank Sittler	Date: 19.08.2002	Page: 3	
Checked by: Name	Date: 01.01.2001	S. Pages	
Material	Surface		
Filename: Top_Amplifier_2.Sch			



		Title <b>HK1901 D.A.R.T.          Top Amplifier 1</b>	
		66606 St. Wendel / Germany	
Number: HK1901-SP-R02	Version: 1	Revision: E	
Drawn by: Frank Sitar	Date: 19.08.2002	Page: 2	
Checked by: Name	Date: 01.01.2001	Page:	
Material:	Surface:		
Filename: Top_Amplifier_1.Sch			

All rights reserved. No part of this schematic may be reproduced, stored in a retrieval system, transmitted in any form or by any means, electronic, mechanical, photocopying, recording or otherwise, without the prior permission of the author.



		<b>HK1901 D.A.R.T.</b> <b>Input Power Supply</b>	
68608 St. Wenzel / Germany			
Number: HK2001-SP-R02	Version 1	Revision: E	
Drawn by: Frank Sitzer	Date: 19.08.2002	Page: 5	
Checked by: Name	Date: 01.01.2001	5 Pages	
Material:	Surface:		
Filename: Input_Power_Supply_Sch			

All rights reserved. No part of this document may be reproduced, stored in a retrieval system, transmitted in any form or by any means, electronic, mechanical, photocopying, recording, or otherwise, without the prior permission of the HK.