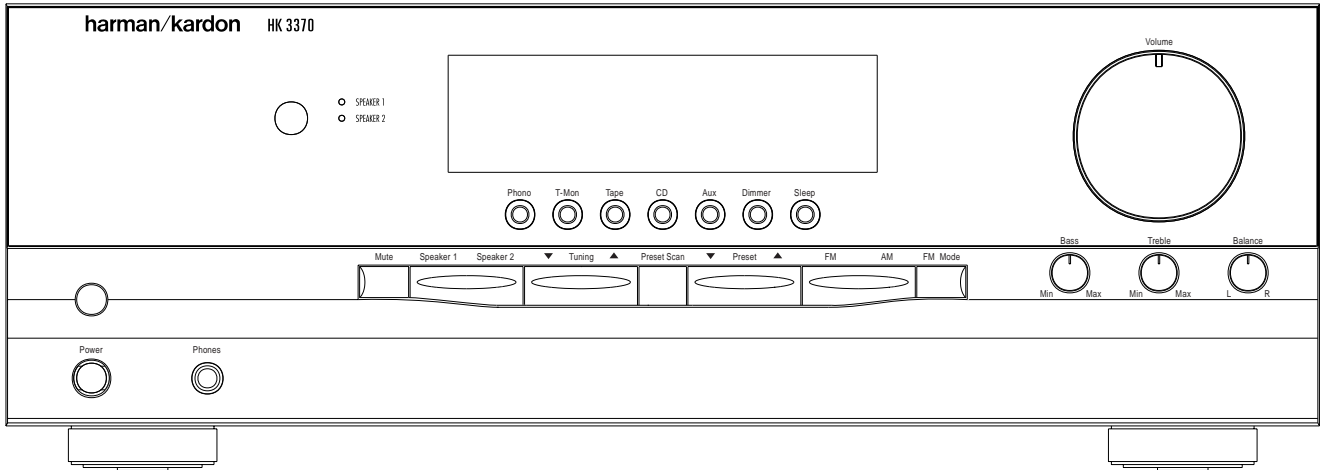


The Harman Kardon
Model HK 3370 / HK 3470
STEREO RECEIVER

Manual A

Technical Manual



CONTENTS

| | |
|---------------------------------|-------------------------------|
| TECHNICAL SPECIFICATIONS.....3 | PARTS LIST.....27 |
| ALIGNMENT PROCEDURES5 | IC BLOCK DIAGRAM.....63 |
| CIRCUIT DESCRIPTION.....8 | PRINTED CIRCUIT BOARDS.....71 |
| BLOCK DIAGRAM.....16 | SCHEMATIC DIAGRAMS77 |
| DISASSEMBLY PROCEDURES.....17 | WIRING DIAGRAM.....82 |
| EXPLODED VIEW.....19 | PACKING MATERIAL.....83 |
| PRINCIPAL SCREW LOCATION.....21 | |

harman/kardon

Parts and Service Office
 80 Crossways Park West, Woodbury, N.Y. 11797
 Printed in Korea

1. Technical Specification

FRONT AMP SECTION

| | Nominal | Limit |
|--|---------|-----------|
| Continuous Power Output (STEREO MODE), Input: CD THD: 0.08%, 8ohms | 70W | 65W |
| Both Channel Driven (20Hz - 20KHz) (STEREO MODE) THD: 0.2%, 4ohms, Input: CD Both Channel Driven (20Hz - 20KHz) | 95W | 90W |
| THD at 65W, 8ohms, Input: CD | | |
| 20Hz | 0.05% | 0.08% |
| 1KHz | 0.05% | 0.08% |
| 20KHz | 0.05% | 0.08% |
| IM Distortion at 50W, 8ohms, | | |
| | 0.05% | 0.08% |
| Input Sensitivity for Rated Power Output (70W) | | |
| Tape Monitor/CD/AUX/TAPE2 | 200mV | 150-250mV |
| Phono | 2.5mV | 2.2-2.8mV |
| S/N Ratio Input Shorted at 1KHz 70W Output (WTD IHF-A) | | |
| CD | 100dB | 95dB |
| Tone Control | | |
| Bass: 100Hz | +10dB | +10 ± 2dB |
| | -10dB | -10 ± 2dB |
| Treble: | +10dB | +10 ± 2dB |
| | -10dB | -10 ± 2dB |
| Frequency Response at -3dB Mode: Stereo, Ref: 1KHz, 10Hz-120KHz 15Hz-100KHz | | |
| Channel Crosstalk Input Shorted by 1Kohms | | |
| 100Hz | 70dB | 60dB |
| 1KHz | 70dB | 60dB |
| 10KHz | 50dB | 42dB |

FM SECTION

| | Nominal | Limit |
|--|-------------------|----------------|
| Tuning Cover Range: 100KHz Step | 87.50 - 108.00MHz | |
| Mono Usable Sensitivity (75ohms Input,98MHz) | 12.2dbf | 17.3dbf |
| Image Rejection (at 98MHz) | 40dB | 35W |
| IF Rejection (at 98MHz) | 80dB | 70W |
| 50dB Quieting SEnitivity (at 98MHz, 100% MOD.) | | |
| IHF Band Pass Filter | | |
| Stereo | 41.2dbf | 47.3dbf |
| Distortion (1KHz, 100% MOD. at 98MHz, 65dbf Input) | | |
| IHF Band Pass Filter | | |
| Mono | 0.3% | 0.5% |
| S/N Ratio (500 Input, 100% MOD. at 98MHz) | | |
| IHF Band Pass Filter | | |
| Stereo | 65dB | 60dB |
| Frequency Response (-3dB) | | |
| De-Emphases: 75µs | 20Hz - 15KHz | 40Hz - 14KHz |
| AM suppression at 98MHz | | |
| | 52dB | 47dB |
| Muting threshold (at 98MHz) | 35.2dbf | 31.2 - 39.2dbf |
| Overload Distortion at 98MHz | 0.3% | 1% |
| Capture Ratio at 65dbf | 1.5dB | 2.5dB |
| Stereo Separation (at 98MHz, 100% MOD.,500 µV Input) | | |
| IHF Band Pass Filter | 40dB | 30dB |
| 1KHz | | |
| Tape out Level (at 98MHz) | 50mV | 350 - 650mV |

GENERAL

| | | |
|-----------------------------------|-------------------|--|
| Power Consumption | | |
| At Rated Power All Channel Driven | 436W | |
| Idling at Minimum Volume Control | 72W | |
| Power Supplies | AC 120V, 60Hz | |
| Dimensions (W x H x D) | | |
| inches | 17.4 x 6.1 x 16.3 | |
| mm | 442 x 156 x 415 | |
| Weight (lbs/kgs) | 24.6/11.2 | |

AM SECTION

| | Nominal | Limit |
|--|---------------|--------------|
| Tuning Cover Range: 10KHz Step | 520 - 1710MHz | |
| Usable Sensitivity | | |
| 999/990KHz | 500µV/ m | 1000µV/ m |
| Image Rejection (at 999KHz) | 35dB | 30dB |
| AGC Figure of Merit (From 100mV/m at 999/1000KHz) | | |
| | 55dB | 50dB |
| Distortion (999/1000Hz, 30% MOD. 50mV/m Input) | | |
| | 1.0% | 1.5% |
| Frequency Response (999/1000KHz) at -6dB | | |
| | 80Hz - 2.3KHz | 100Hz - 2KHz |
| Selectivity (at 999/1000Hz) | | |
| 9KHz / 10KHz | 25dB | 20dB |
| S/N Ratio (999/k1000KHz, WithAntenna Input 50mV/m) | | |
| | 40dB | 35dB |
| Overload Distortion at 98MHz | | |
| | 1% | 1.5% |
| Tape out Level at 999/1000KH (5mV/m Input) | | |

FRONT AMP SECTION

| | Nominal | Limit |
|--|---------|-----------|
| Continuous Power Output (STEREO MODE), Input: CD | 100W | 85W |
| THD: 0.08%, 8ohms Both Channel Driven (20Hz - 20KHz) | | |
| (STEREO MODE) | 130W | 120W |
| THD: 0.2%, 4ohms, Input: CD Both Channel Driven (20Hz - 20KHz) | | |
| THD at 65W, 8ohms, Input: CD | | |
| 20Hz | 0.05% | 0.08% |
| 1KHz | 0.05% | 0.08% |
| 20KHz | 0.05% | 0.08% |
| IM Distortion at 75W, 8ohms, | | |
| | 0.05% | 0.08% |
| Input Sensitivity for Rated Power Output (100W) | | |
| Tape Monitor/CD/AUX/TAPE2 | 200mV | 150-250mV |
| Phono | 2.5mV | 2.2-2.8mV |
| S/N Ratio Input Shorted at 1KHz 100W Output (WTD IHF-A) | | |
| CD | 100dB | 95dB |
| Tone Control | | |
| Bass: 100Hz | +10dB | +10 ± 2dB |
| | -10dB | -10 ± 2dB |
| Treble: | +10dB | +10 ± 2dB |
| | -10dB | -10 ± 2dB |
| Frequency Response at -3dB Mode: Stereo, Ref: 1KHz, 10Hz-120KHz 15Hz-100KHz | | |
| Channel Crosstalk Input Shorted by 1Kohms | | |
| 100Hz | 70dB | 60dB |
| 1KHz | 70dB | 60dB |
| 10KHz | 50dB | 42dB |

GENERAL

| | |
|-----------------------------------|-------------------|
| Power Consumption | |
| At Rated Power All Channel Driven | 575W |
| Idling at Minimum Volume Control | 72W |
| Power Supplies | AC 120V, 60Hz |
| Dimensions (W x H x D) | |
| inches | 17.4 x 6.1 x 16.3 |
| mm | 442 x 156 x 415 |
| Weight (lbs/kgs) | 24.6/11.2 |

FM SECTION

| | Nominal | Limit |
|--|-------------------|----------------|
| Tuning Cover Range: 100KHz Step | 87.50 - 108.00MHz | |
| Mono Usable Sensitivity (75ohms Input,98MHz) | | |
| | 12.2dbf | 17.3dbf |
| Image Rejection (at 98MHz) | 40dB | 35W |
| IF Rejection (at 98MHz) | 80dB | 70W |
| 50dB Quieting SEnitivity (at 98MHz, 100% MOD.) IHF Band Pass Filter | | |
| Stereo | 41.2dbf | 47.3dbf |
| Distortion (1KHz, 100% MOD. at 98MHz, 65dbf Input) IHF Band Pass Filter | | |
| Mono | 0.3% | 0.5% |
| S/N Ratio (500 Input, 100% MOD. at 98MHz) IHF Band Pass Filter | | |
| Stereo | 65dB | 60dB |
| Frequency Response (-3dB) De-Emphases: 75µs | 20Hz - 15KHz | 40Hz - 14KHz |
| AM suppression at 98MHz | | |
| | 52dB | 47dB |
| Muting threshold (at 98MHz) | 35.2dbf | 31.2 - 39.2dbf |
| Overload Distortion at 98MHz | 0.3% | 1% |
| Capture Ratio at 65dbf | 1.5dB | 2.5dB |
| Stereo Separation (at 98MHz, 100% MOD.,500 µV Input) IHF Band Pass Filter | 40dB | 30dB |
| 1KHz | | |
| Tape out Level (at 98MHz) | 50mV | 350 - 650mV |

AM SECTION

| | Nominal | Limit |
|--|---------------|--------------|
| Tuning Cover Range: 10KHz Step | 520 - 1710MHz | |
| Usable Sensitivity | | |
| 999/990KHz | 500µV/ m | 1000µV/ m |
| Image Rejection (at 999KHz) | 35dB | 30dB |
| AGC Figure of Merit (From 100mV/m at 999/1000KHz) | | |
| | 55dB | 50dB |
| Distortion (999/1000Hz, 30% MOD. 50mV/m Input) | | |
| | 1.0% | 1.5% |
| Frequency Response (999/1000KHz) at -6dB | | |
| | 80Hz - 2.3KHz | 100Hz - 2KHz |
| Selectivity (at 999/1000Hz) | | |
| 9KHz / 10KHz | 25dB | 20dB |
| S/N Ratio (999/k1000KHz, WithAntenna Input 50mV/m) | | |
| | 40dB | 35dB |
| Overload Distortion at 98MHz | | |
| | 1% | 1.5% |
| Tape out Level at 999/1000KH (5mV/m Input) | | |

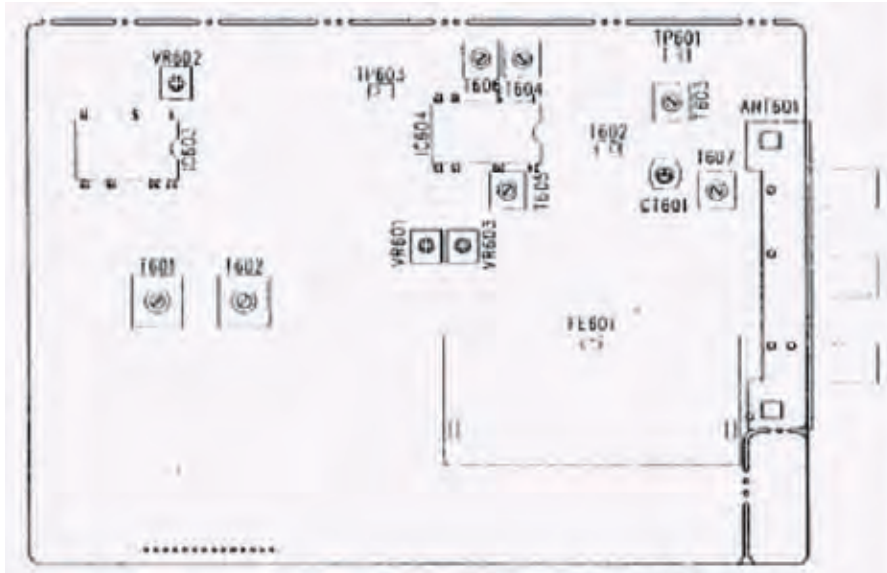
2. Alignment Procedures

1. Test Equipment Required.

- AM Standard Signal Generator (AM SSG)
- Oscilloscope
- AC Voltmeter
- FM Standard Signal Generator (FM SSG)
- Stereo Modulator
- Audio Generator
- Distortion Meter
- DC Voltmeter
- Frequency Counter

Note: Disconnect external FM antenna prior to alignment

2. Alignment and Test Points

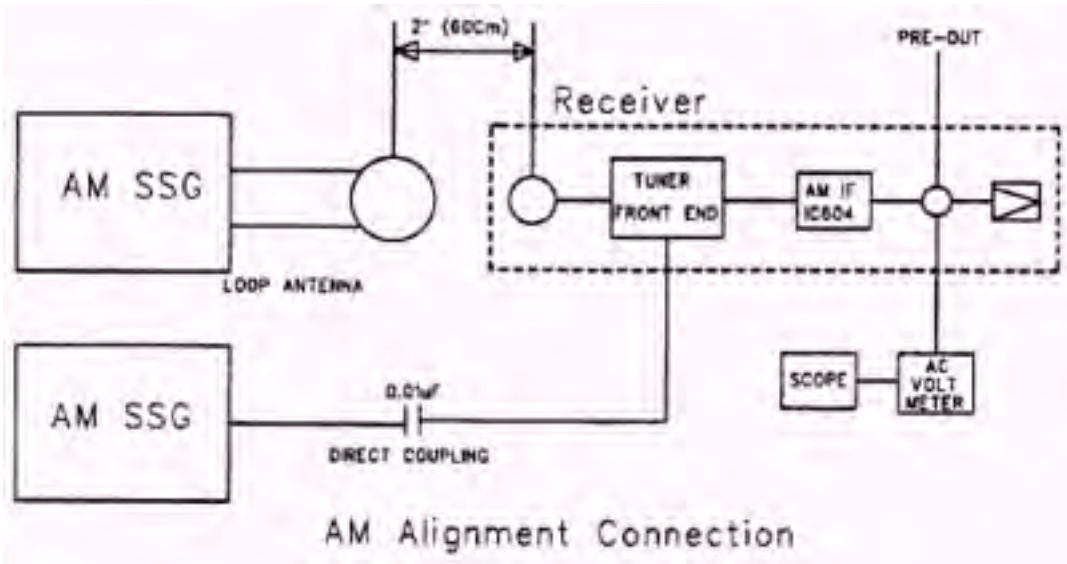


3. AM IF and RF Alingment

Preparation

1. Output of signal Generator should not be higher than necessary to obtain an optimum output reading.
2. Signal Generator Modulation: 30%
3. Switch: Press to AM.

| Step | Signal Generator Frequency | Receiver Frequency on the Display | Equipment Connection | Adjustment Point | Adjust for |
|------|----------------------------|-----------------------------------|----------------------------------|------------------|--|
| 1 | 990KHz (400Hz,Mod.) | 520KHz | DC Voltmeter TP601 | T603 | 1.2V reading Maximum |
| 2 | 600KHz (400Hz,Mod.) | 600KHz | AC Voltmeter to TAPE OUT jack | T607 | reading Maximum |
| 3 | 1400KHz (400Hz,Mod.) | 400KHz | AC Voltmeter to TAPE OUT jack | CT601 | reading Maximum |
| 4 | 990KHz (400Hz,Mod.) | 990KHz | AC Voltmeter to TAPE OUT jack | T605 | reading FL display "TUNED" |
| 5 | 990KHz (400Hz,Mod.) | 990KHz | same as Step 1 | VR603 | Indicator on receiver with AM SSG Output level of 800 μ V/m |

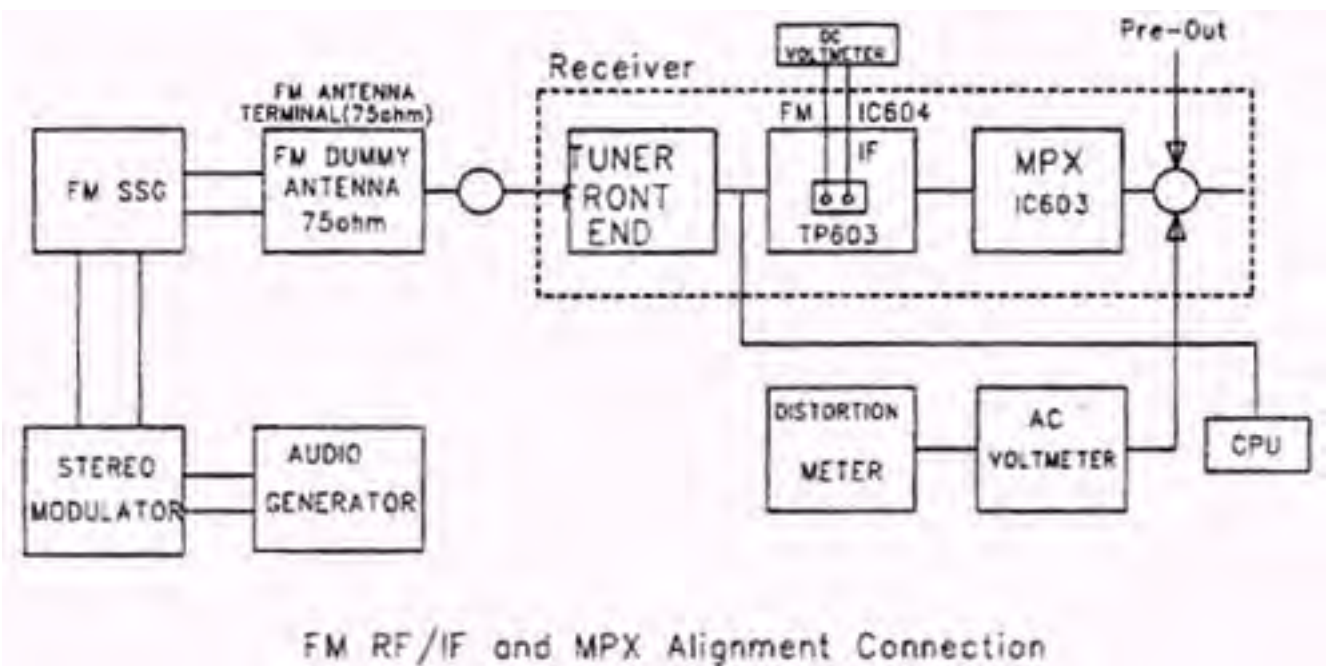


4. FM IF Alignment

Preparation

1. Signal Generator output should be no higher than necessary to obtain an optimum output reading.
2. Switch Press to FM
3. Signal Generator Deviation: 75KHz (HK 3370), 40KHz (HK 3470)

| Step | Signal Generator Frequency | Receiver Frequency on the Display | Equipment Connection | Adjustment Point | Adjust for |
|------|----------------------------|-----------------------------------|-----------------------------------|------------------|--|
| 1 | 98.0 MHz (1KHz, Mod.) | 98.0 MHz | DC Voltmeter to TP602 | T606 | Zero reading on DC Voltmeter |
| 2 | 98.0 MHz (1KHz, Mod.) | 98.0 MHz | Distortion meter to TAPE OUT jack | T604 | Minimum distortion |
| 3 | 98.0 MHz (1KHz, Mod.) | 98.0 MHz | Same as Step 1 | VR601 | FL display "TUNED" Indicator on receiver with FM SSG Output level of 35.2dbf |



5. MPX Alignment, SM Alignment

Preparation

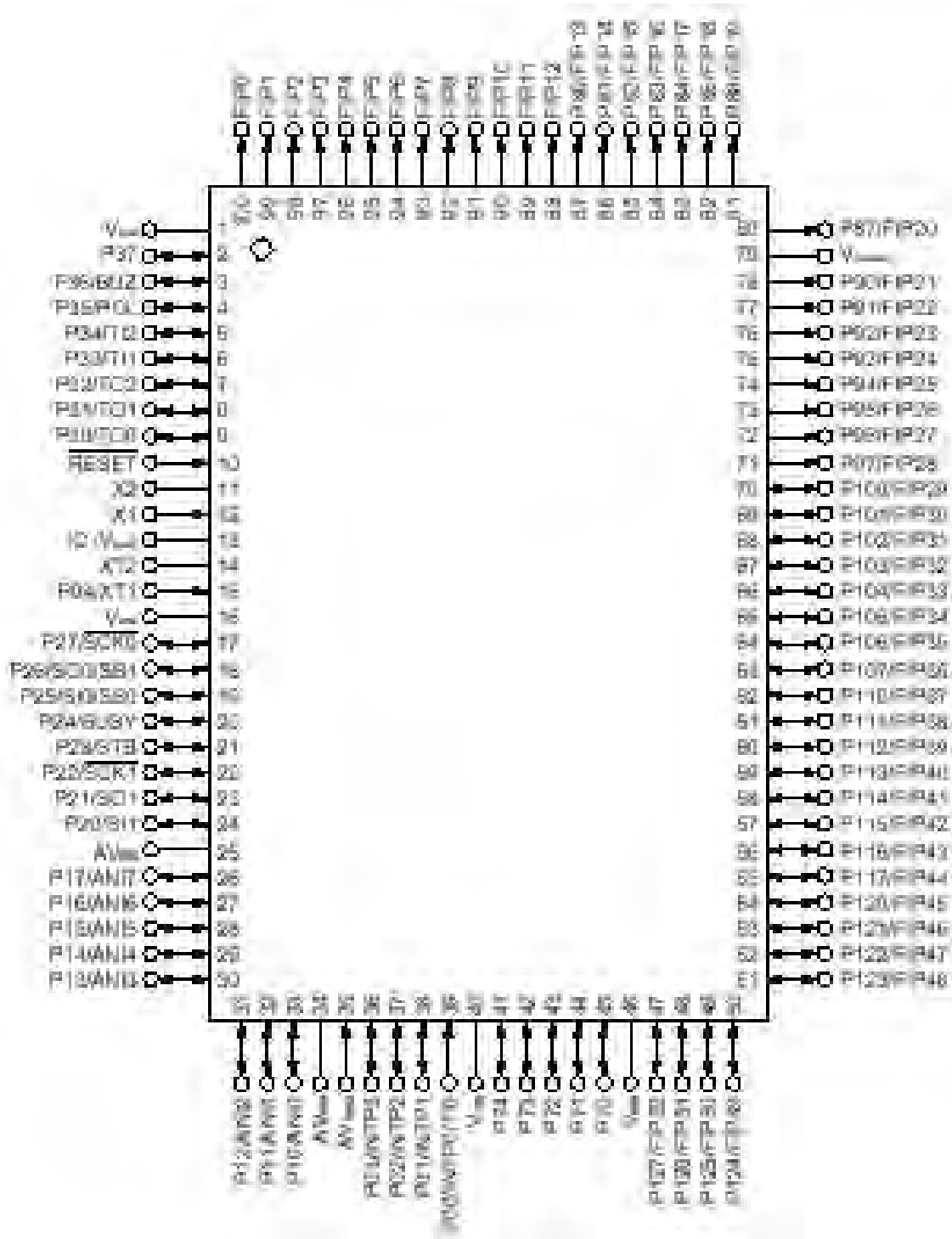
1. Switch: Press to FM
2. Tuner for 98MHz on band.
3. Signal Generator output level: 1000 μ V
4. Deviation: 75KHz (HK 3370), 40KHz (HK 3470) at 100% modulation to composite signal.
5. Connect Signal Generator to FM antenna terminal through FM dummy antenna (75 Ω).

| Step | 19KHz Modulation Level | Signal Generator Frequency Setting | Equipment Connection | Adjustment Point | Adjust for |
|---|------------------------|------------------------------------|--|------------------|---|
| 1 | 7.5KHz, Mod. | Composite to channel 1KHz R | AC Voltmeter to TAPE OUT jack of R channel | | Adjust for about 450mV of audio output |
| 2 | 7.5KHz, Mod. | Composite to channel 1KHz L | AC Voltmeter to TAPE OUT jack of R channel | VR602 | AC Voltmeter reading should be at least 40dB below. |
| 3 | 7.5KHz, Mod. | Composite to channel 1KHz R | AC Voltmeter to TAPE OUT jack of L channel | VR602 | Same as Step 2 |
| If you could not obtain -40dB reading in Steps 2 and 3 (compared with Step 1), read just VR603 until you obtain -40dB readings for both steps 2 and 3. Normal is -45dB. | | | | | |

3. Circuit Description

CPU(IC401) : uPD780204GF

1. Pin Configuration



2. Pin Description

uPD780204GF QFP Type

| Pin No. | Pin Name | I/O | ACTIVE | PORT NAME | REMARK |
|---------|----------|-----|--------|------------------|-----------------------|
| 1 | Vdd | - | H | +5V | System power supply |
| 2 | P37 | I | H | KR4 | Key read 4 |
| 3 | P36 | I | H | KR3 | Key read 3 |
| 4 | P35 | I | H | KR2 | Key read 2 |
| 5 | P34 | I | H | KR1 | Key read 1 |
| 6 | P33 | - | - | - | Not used |
| 7 | P32 | - | - | - | Not used |
| 8 | P31 | O | H/L | PWR_LED(RED) | L:AMBER L:GREEN H:RED |
| 9 | P30 | O | H/L | PWR_LED(GRN) | L:STBY H:OPER L:PROT |
| 10 | RESET | I | L | System reset | Low reset |
| 11 | X2 | - | - | OSC | Main system osc. |
| 12 | X1 | I | - | OSC | - |
| 13 | Vpp | - | - | Connected to Vss | |
| 14 | XT2 | - | - | - | Not used |
| 15 | P04/XT1 | I | H/L | OPT_RDS | Rds on/off |
| 16 | Vdd | - | H | +5V | System power supply |
| 17 | P27 | - | - | - | Not used |
| 18 | P26 | - | - | - | Not used |
| 19 | P25 | I | L | PWR_DOWN | Detect power off |
| 20 | P24 | O | H | PWR_RLY | Power Relay on/off |
| 21 | P23 | O | H | VR_UP | Volume up |
| 22 | P22 | O | H | VR_DOWN | Volume Down |
| 23 | P21 | I | L | PROTECT | Detect protection |
| 24 | P20 | O | H | PWR_MUTE | Power Mute |
| 25 | AVss | - | L | GND | Analog ground |
| 26 | P17 | O | H | PRE_MUTE | Pre mute |
| 27 | P16 | O | H | TUNER_MUTE | Tuner mute |
| 28 | P15 | I | H/L | IF_IN | IF conter in |
| 29 | P15 | O | H | PLL CE | |
| 30 | P13 | O | H | PLL CLOCK | |
| 31 | P12 | O | H/L | PLL DATA | |
| 32 | P11 | I | L | TUNED | Tuned in on : L |
| 33 | P10 | I | L | STEREO | Stereo in on : L |
| 34 | Avdd | - | H | +5V | Analog power supply |
| 35 | Avref | - | L | GND | |
| 36 | P03 | - | - | - | Not used |
| 37 | INTP2 | I | L | RDS CLK | Rds clock in |
| 38 | P01 | I | H | RDS DATA | Rds data in |
| 39 | P00 | I | L | REMOCON IN | Remocon data in |
| 40 | Vss | - | L | GND | Ground |
| 41 | P74 | O | H/L | 78211 CLK | |
| 42 | P73 | O | H/L | 78211 CE | |
| 43 | P72 | - | - | - | Not used |
| 44 | P71 | - | - | - | Not used |
| 45 | P70 | - | - | - | Not used |
| 46 | Vdd | - | H | +5V | |

| Pin No. | Pin Name | I/O | ACTIVE | PORT NAME | REMARK |
|---------|----------|-----|--------|---------------|-----------------------|
| 47 | P127 | - | - | | Not used |
| 48 | P127 | - | - | | Not used |
| 49 | P125 | - | - | | Not used |
| 50 | P124 | O | H/L | 78211 DATA | |
| 51 | P123 | - | - | | Not used |
| 52 | P122 | - | - | | Not used |
| 53 | P121 | - | - | | Not used |
| 54 | P120 | - | - | | Not used |
| 55 | P117 | O | H | VMAX | VMAx on/off |
| 56 | P116 | O | H | SPK1_RLY | Speaker1 relay on/off |
| 57 | P115 | O | H | SPK2_RLY | Speaker2 relay on/off |
| 58 | P114 | O | H | SPK1_LED | Speaker1 led on/off |
| 59 | P113 | O | H | SPK2_LED | Speaker2 led on/off |
| 60 | P112 | O | H | SPK12_LED | Speaker1/2 led on/off |
| 61 | P111 | - | - | | |
| 62 | P110 | - | - | | |
| 63 | P107 | O | H | VR_LED | Volume led on/off |
| 64 | P106 | I | H/L | OPT_STEP | L:E.U. , H:USA |
| 65 | P105 | I | H/L | OPT_3400/3700 | L:3400, H:3370 |
| 66 | FIP33 | O | H | S18 | FIP segment output |
| 67 | FIP32 | O | H | S17 | FIP segment output |
| 68 | FIP31 | O | H | S16 | FIP segment output |
| 69 | FIP30 | O | H | S15 | FIP segment output |
| 70 | FIP29 | O | H | S14 | FIP segment output |
| 71 | FIP28 | O | H | S13 | FIP segment output |
| 72 | FIP27 | O | H | S12 | FIP segment output |
| 73 | FIP26 | O | H | S11 | FIP segment output |
| 74 | FIP25 | O | H | S10 | FIP segment output |
| 75 | FIP24 | O | H | S9 | FIP segment output |
| 76 | FIP23 | O | H | S8 | FIP segment output |
| 77 | FIP22 | O | H | S7 | FIP segment output |
| 78 | FIP21 | O | H | S6 | FIP segment output |
| 79 | Vload | - | - | Vload | FIP DRIVER VOLTAGE |
| 80 | FIP20 | O | H | S5 | FIP segment output |
| 81 | FIP19 | O | H | S4 | FIP segment output |
| 82 | FIP18 | O | H | S3 | FIP segment output |
| 83 | FIP17 | O | H | S2 | FIP segment output |
| 84 | FIP16 | O | H | S1 | FIP segment output |
| 85 | FIP15 | O | H | G16 | FIP grid output |
| 86 | FIP14 | O | H | G15 | FIP grid output |
| 87 | FIP13 | O | H | G14 | FIP grid output |
| 88 | FIP12 | O | H | G13 | FIP grid output |
| 89 | FIP11 | O | H | G12 | FIP grid output |
| 90 | FIP10 | O | H | G11 | FIP grid output |
| 91 | FIP9 | O | H | G10 | FIP grid output |
| 92 | FIP8 | O | H | G9 | FIP grid output |
| 93 | FIP7 | O | H | G8 | FIP grid output |
| 94 | FIP6 | O | H | G7 | FIP grid output |
| 95 | FIP5 | O | H | G6 | FIP grid output |

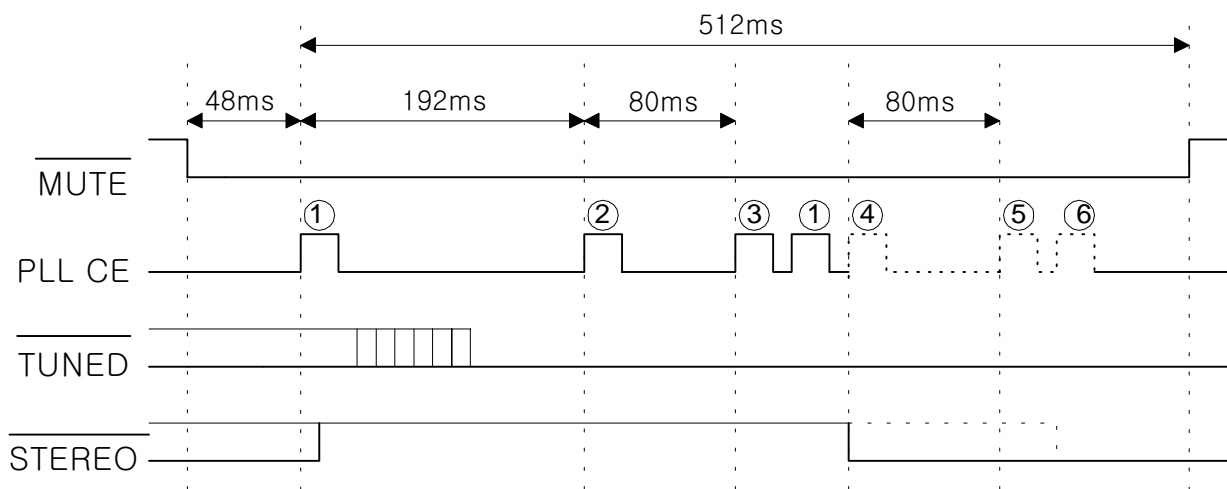
| Pin No. | Pin Name | I/O | ACTIVE | PORT NAME | REMARK |
|---------|----------|-----|--------|-----------|-----------------|
| 96 | FIP4 | O | H | G5 | FIP grid output |
| 97 | FIP3 | O | H | G4 | FIP grid output |
| 98 | FIP3 | O | H | G3 | FIP grid output |
| 99 | FIP1 | O | H | G2 | FIP grid output |
| 100 | FIP0 | O | H | G1 | FIP grid output |

3. Timing Chart (IF Count)

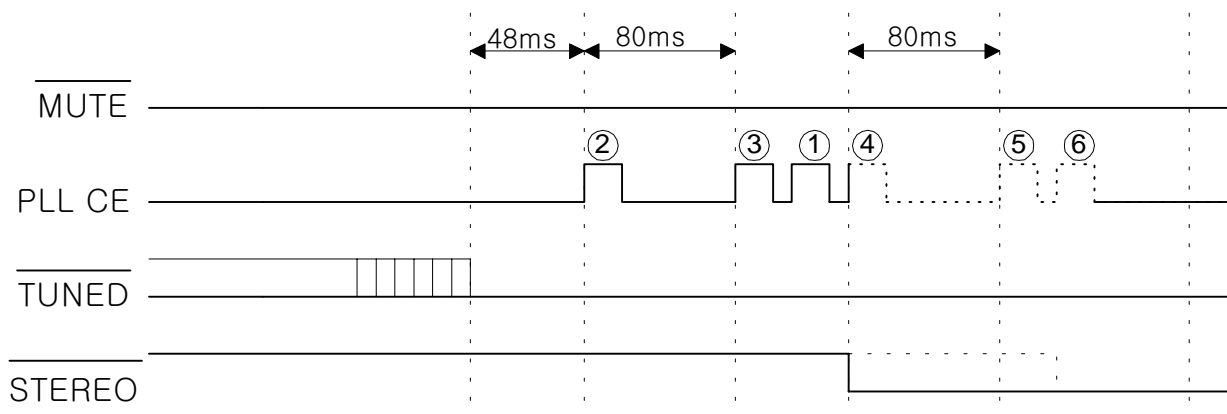
- ① PLL MODE 1
- ② PLL MODE 2
- ③ PLL MODE 3
- ④ PLL MODE 2
- ⑤ PLL MODE 3
- ⑥ PLL MODE 1

A dotted line (.....) : In case that IF COUNT is not proper, follow PLL MODE of ④ ⑤ ⑥

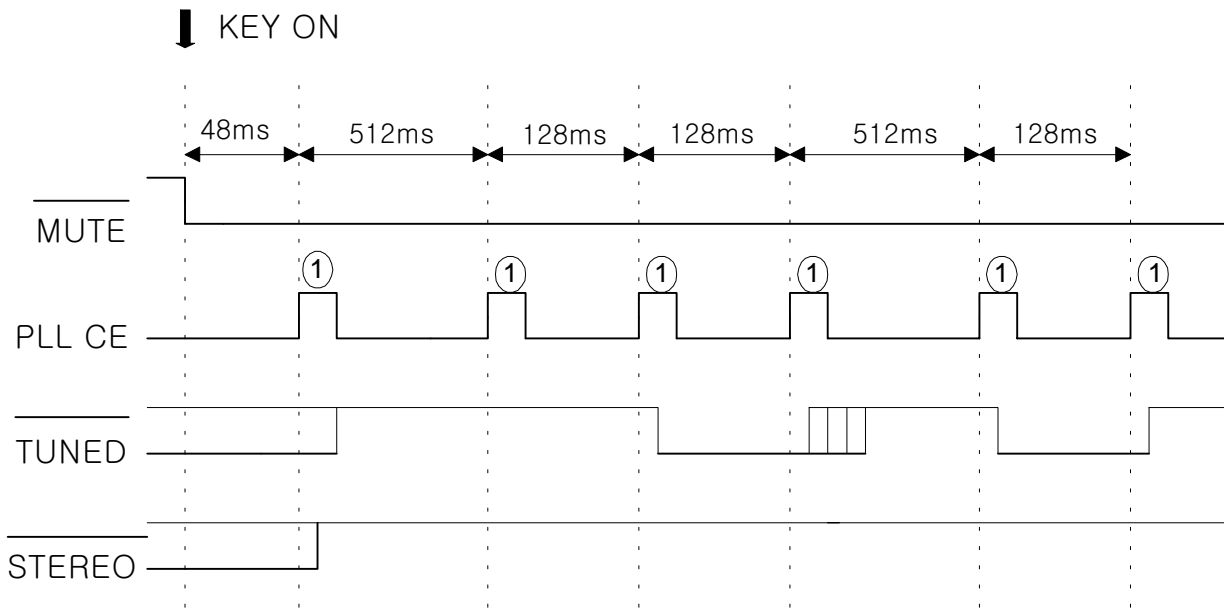
When changing BAND, selecting the PRESET STATION using TEN KEY and selecting the PRESET STATION using PRESET CHANNEL UP/DOWN



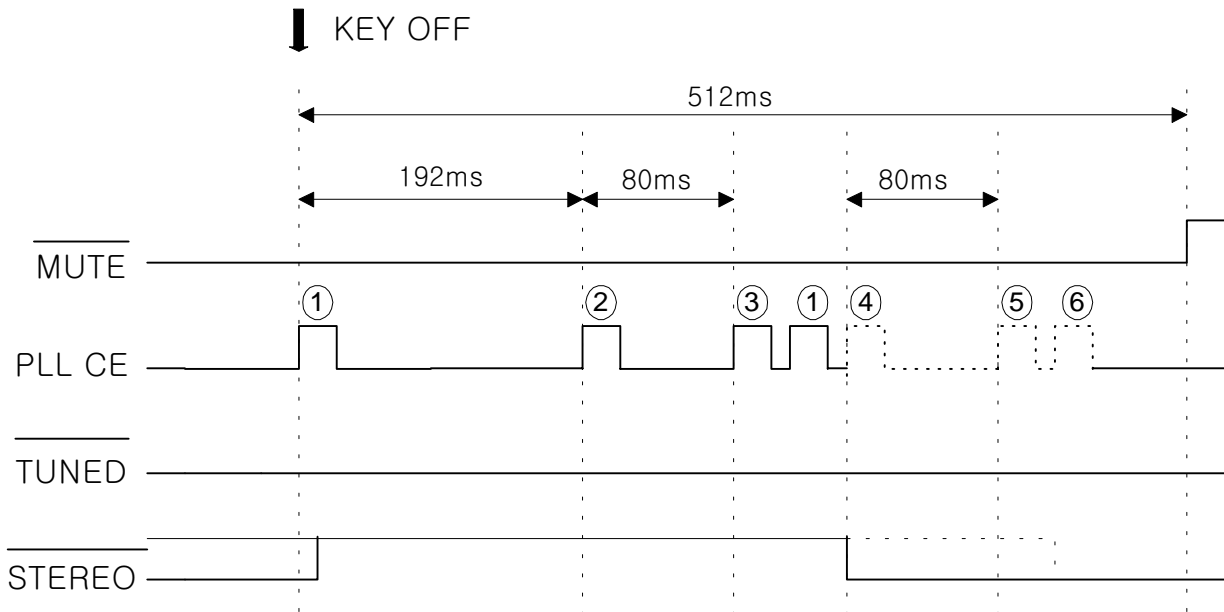
When IF COUNT is not proper in case that the frequency is not tuned



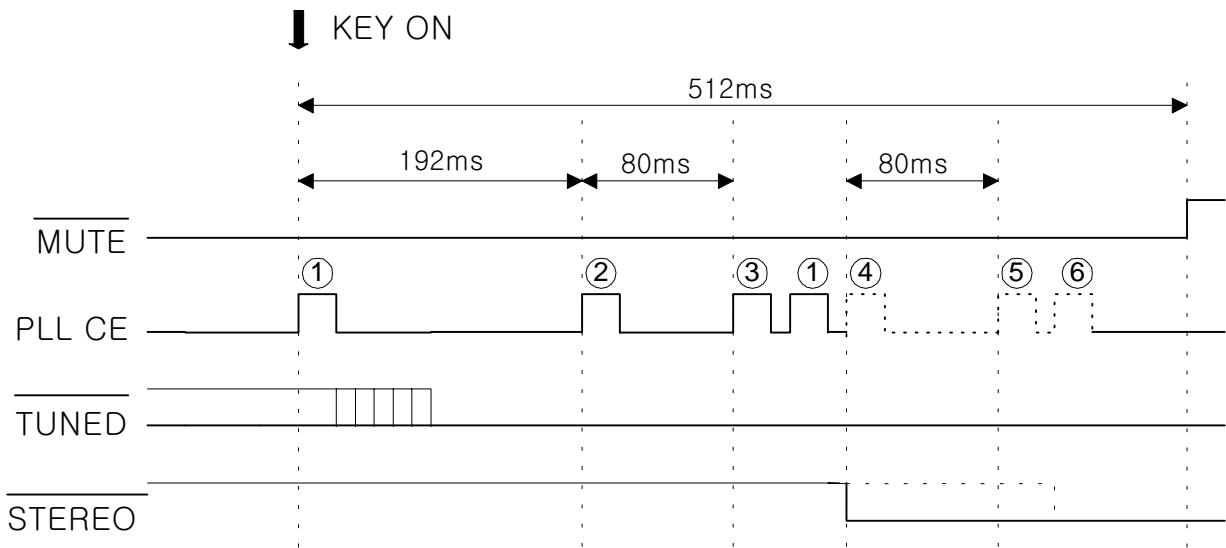
MANUAL TUNING UP/DOWN



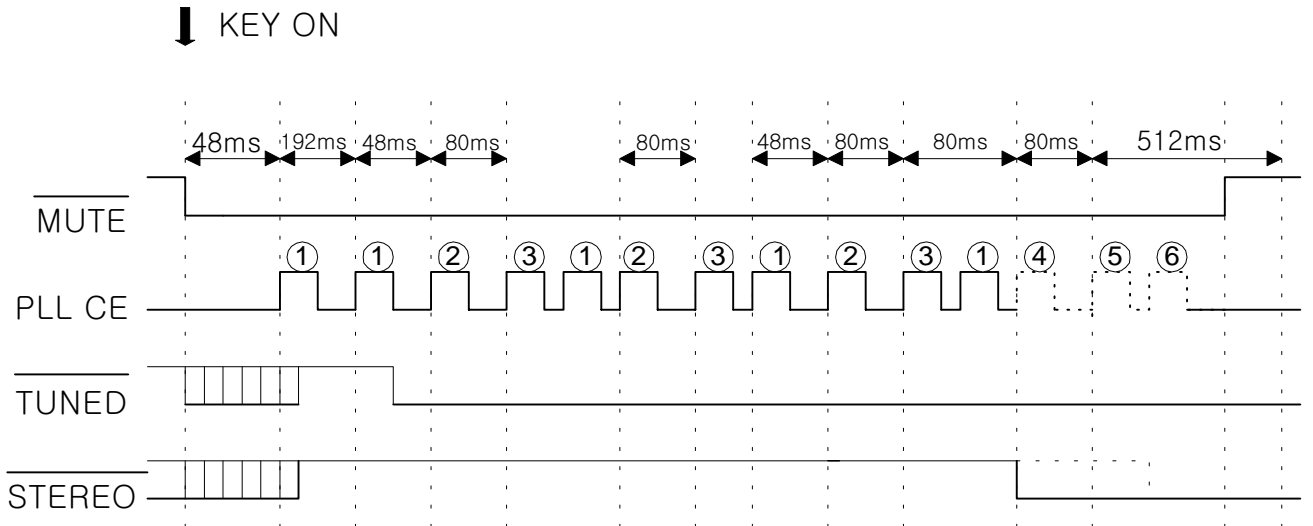
MANUAL TUNING UP/DOWN KEY OFF



- POWER ON



- AUTO TUNING UP/DOWN

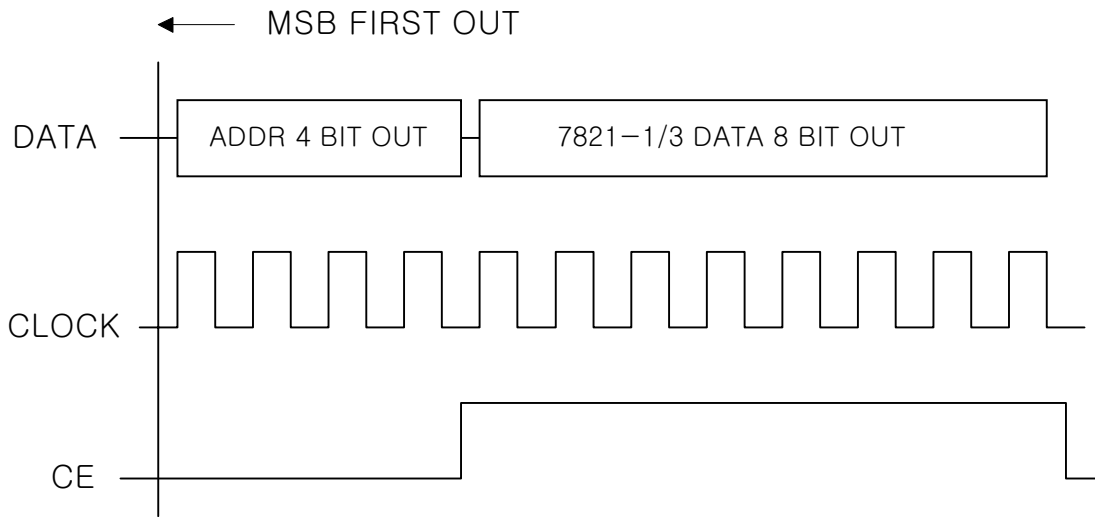


TUNED = HIGH
IFCNT = NG

TUNED = LOW
IFCNT = OK

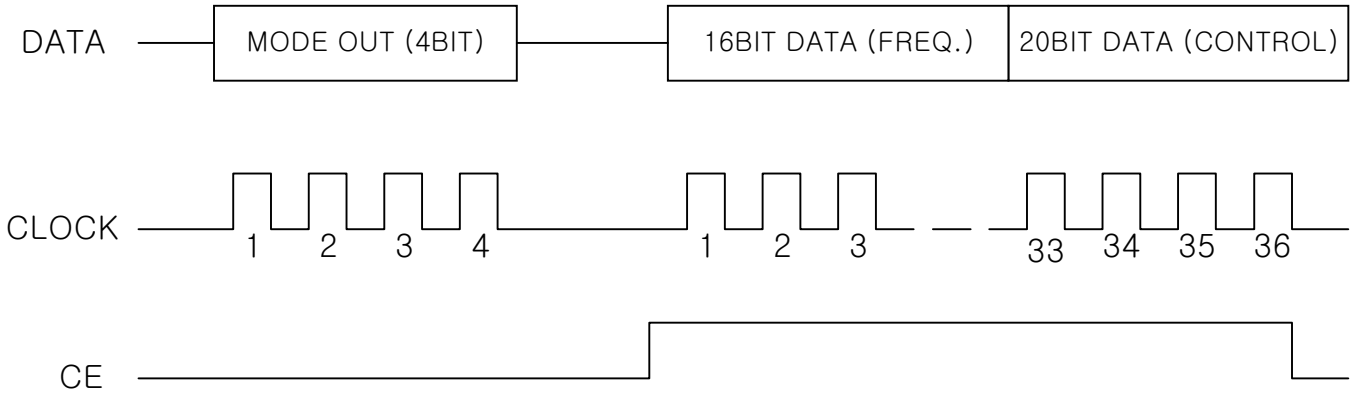
4. Pheriperal IC Operation

1) FUNCTION IC. : LC7821-1/3

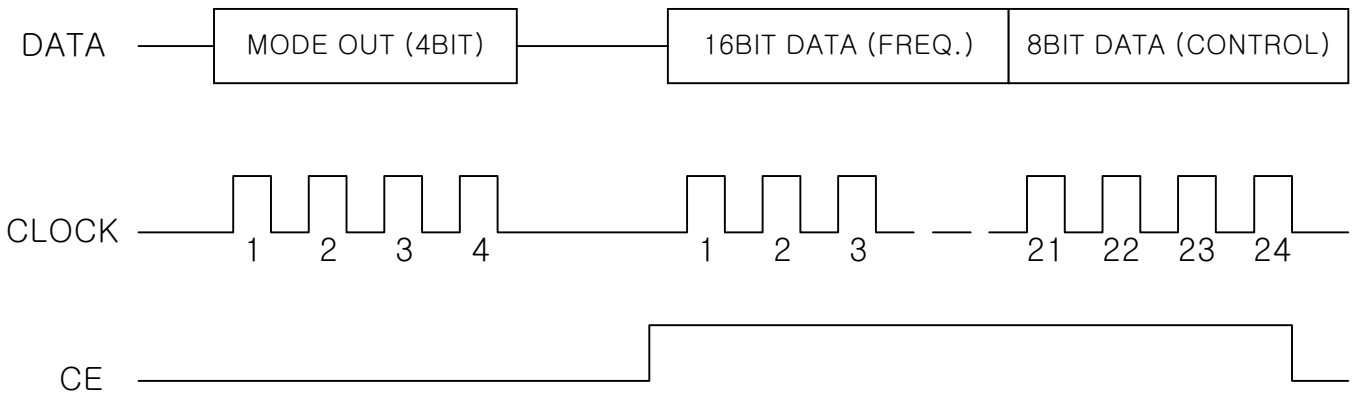


2) PLL IC. (LC7218)

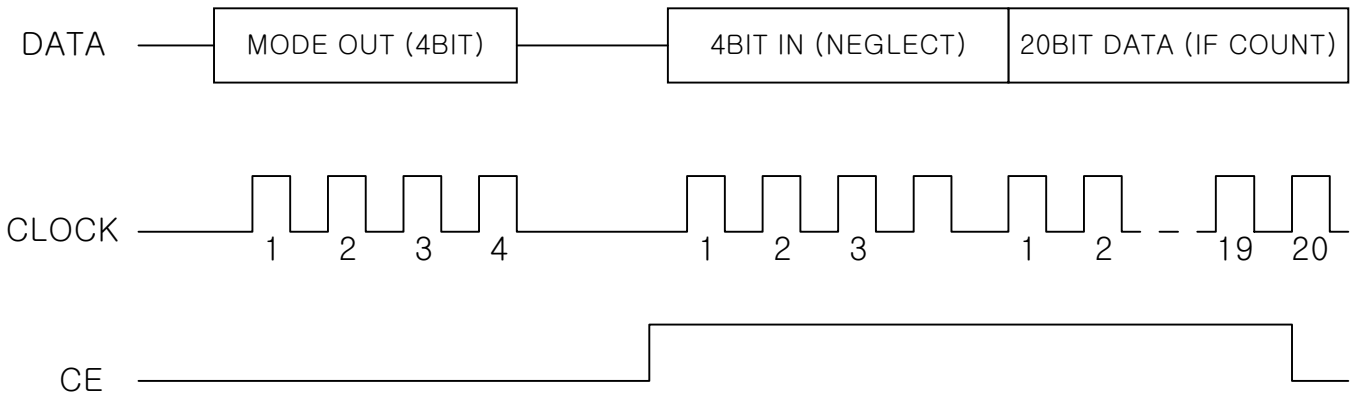
1) MODE 1 : FREQUENCY OUT/ TUNED CHECK



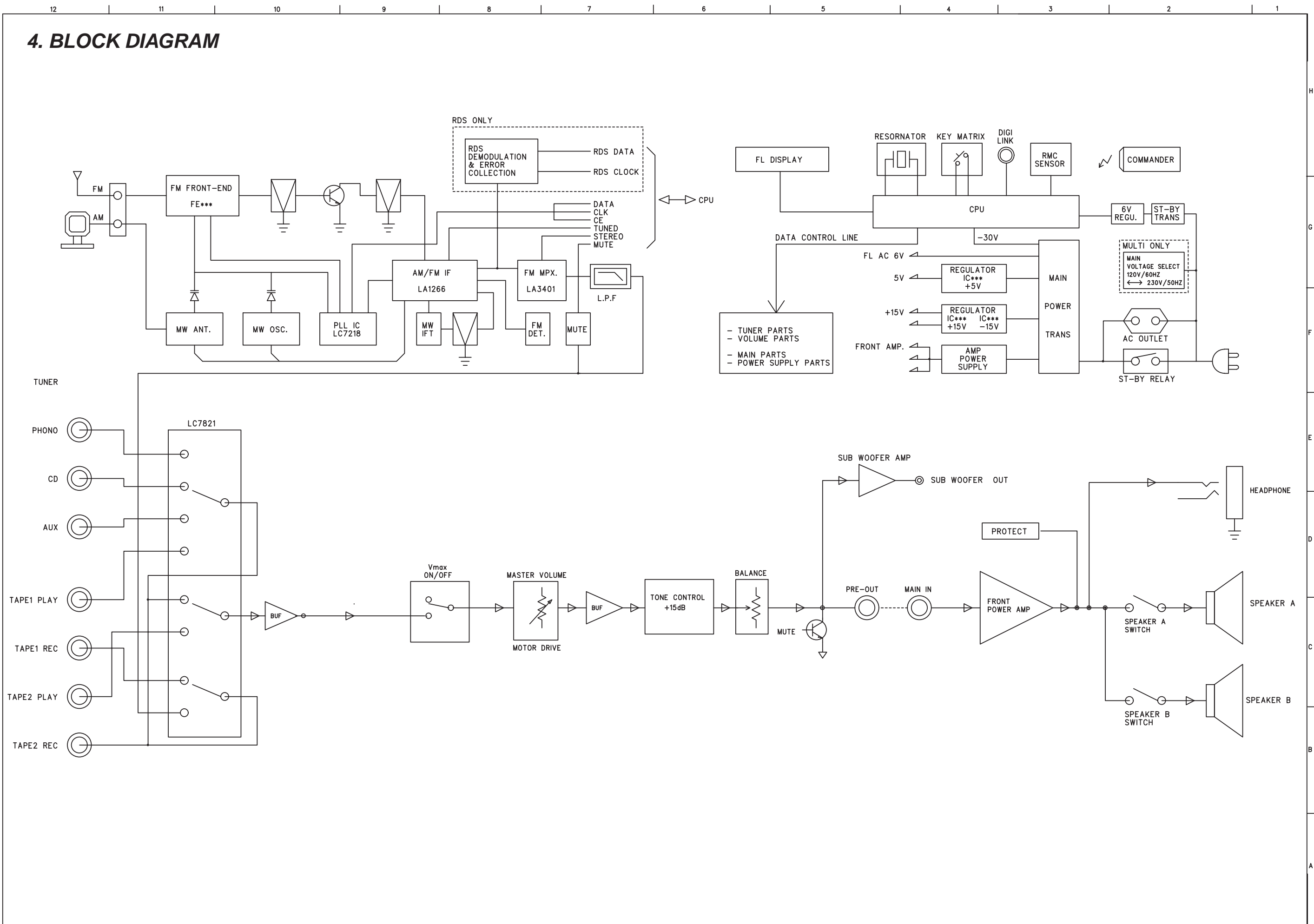
2) MODE 2 : FREQUENCY OUT/ OUTPUT CONTROL



3) MODE 3 : IF COUNT READ



4. BLOCK DIAGRAM



5. DISASSEMBLY PROCEDURES

<1> CHASSIS-TOP(44) REMOVAL.

Remove 9 screws(A,K) and then remove the Chassis-top(44).

<2> FRONT PANEL ASS'Y(AA) REMOVAL.

1. Remove the Chassis-top(44), referring to the previous step <1>.
2. Disconnect the connector(CN 301, Card-cable) on the Front P. C. Board(d) from connector(CN 115) on the Main P. C. Board (i).
3. Disconnect the lead wire(CW 302, 5P) on the Front P. C. Board(d) from connector(CN 702) on the Volume P. C. Board (b).
4. Disconnect the connector(CN 801, 2P) on the Standby P. C. Board(g) from connector(CN 102) on the Main P. C. Board (i).
5. Remove 1 screw(l) of Chassis-panel(37) and then lead wire(H 801, 1P) on the Phones P. C. Board(e).
6. Disconnect the lead wire(CW 301, 7p) on the Front P. C. Board(d) from connector(CN 113) on the Main P. C. Board(i).
7. Disconnect the lead wire(CW 801, 3P) on the Phones P. C. Board(e) from connector(CN 401) on the Amp P. C. Board(h).
8. Remove 1 screw(l) of Chassis-panel(37) and then lead wire(H 501, 1P) on the Tone P. C. Board (c).
9. Disconnect the lead wire(CW 701, 10P) on the Volume P. C. Board(b) from connector (CN 109) on the Main P. C. Board(i).
10. Remove 9 screws(H, I) and then remove the Front Panel ASS'Y(AA).

<3> FRONT P. C. BOARD(d) REMOVAL.

1. Remove the Chassis-top(44), referring to the previous step<1>.
2. Remove the Front-panel ASS'Y(AA), referring to the previous step<2>.
3. Disconnect the lead wire(CW 302, 5P) from connector(CN 702) on the Volume P. C. Board(b).
4. Disconnect the connector(CN 302) from lead wire(CW 801,5P) on the Power P.C.Board (f).
5. Remove 15 screws(J) and then remove the Front P.C.Board(d).

<4> VOLUME P.C.BOARD(b) REMOVAL.

1. Remove the Chassis-top(44), referring to the previous step<1>.
2. Remove the Front-panel ASS'Y(AA), referring to the previous step<2>.
3. Disconnect the connector(CN 702) from lead wire(CW 302, 5P) on the Front P. C. Board(d).
4. Disconnect the connector(CN 703) from lead wire(CW 802, 2P) on the Volume2 P. C. Board(a).
5. Disconnect the connector(CN 701) from lead wire(CW 501, 10P) on the Tone P. C. Board(c).
6. Disconnect the lead wire(CW 701,10P) from connector(CN 109) on the Main P. C. Board(i).
7. Full out the Volume Knob(1).
8. Remove 1 hexagon nut(3), 1 washer(4) and then remove the Volume P. C. Board(b).

<5> VOLUME2 P. C. BOARD(a) ASS'Y(AD) REMOVAL.

1. Remove the Chassis-top(44), referring to the previous step<1>.
2. Remove the Front-panel ASS'Y(AA), referring to the previous step<2>.
3. Disconnect the lead wire(CW 802, 2P) from connector(CN 703) on the Volume P.C.Board(b).
4. Full out the Volume Knob(1).

<6> VOLUME2 P. C. BOARD(a) REMOVAL.

1. Remove the Chassis-top(44), referring to the previous step<1>.
2. Remove the Front-panel ASS'Y(AA), referring to the previous step<2>.
3. Remove the Volume P. C. Board(b) ASS'Y(AD), referring to the previous step<5>.
4. Full out the Volume2 P. C. Board(a).

<7> TONE P. C. BOARD(c) REMOVAL.

1. Remove the Chassis-top(44), referring to the previous step<1>.
2. Remove the Front-panel ASS'Y(AA), referring to the previous step<2>.
3. Disconnect the lead wire(CW 501, 10P) from connector(CN 701) on the Volume P. C. Board(b).
4. Pull out the Balance-knob(5).
5. Remove 4 screws(J) and then remove the Tone P. C. Board ASS'Y(AC).
6. Remove 4 hexagon nut(3) and then remove the Shield-balance(12).

<8> PHONES P. C. BOARD(e) REMOVAL.

1. Remove the Chassis-top(44), referring to the previous step<1>.
2. Remove the Front-panel ASS'Y(AA), referring to the previous step<2>.
3. Disconnect the lead wire(CW 801, 3P) from connector(CN 401) on the Amp P. C. Board(h).
4. Remove 2 screws(E) and then remove the Phones P. C. Board(e).

<9> POWER P. C. BOARD(f) REMOVAL.

1. Remove the Chassis-top(44), referring to the previous step<1>.
2. Remove the Front-panel ASS'Y(AA), referring to the previous step<2>.
3. Disconnect the lead wire(CW 801, 5P) from connector(CN 302) on the Front P. C. Board(d).
4. Remove 2 screws(J) and then remove the Power P. C. Board(f).

<10> STANDBY P. C. BOARD(g) REMOVAL.

1. Remove the Chassis-top(44), referring to the previous step<1>.
2. Remove the Front-panel ASS'Y(AA), referring to the previous step<2>.
3. Remove 2 screws(J) and then remove the Standby P. C. Board(g).

<11> TUNER P. C. BOARD(j) REMOVAL.

1. Remove the Chassis-top(44), referring to the previous step<1>.
2. Remove 21 screws(G,K) and then remove the Chassis-back(41).
3. Pull out the Tuner P. C. Board(j).

<12> RADIATOR ASS'Y(AB) REMOVAL.

1. Remove the Chassis-top(44), referring to the previous step<1>.
2. Disconnect the connector(CN 401) from lead wire(CW 801, 3P) on the Phones P. C. Board(e).
3. Disconnect the lead wire(CW 403, 4P) from connector(CN 111, CN 112) on the Main P. C. Board(i).
4. Disconnect the lead wire(CW 402, 10P) from connector(CN 107) on the Main P. C. Board(i).
5. Disconnect the lead wire(CW 401, 4P) from connector(CN 108) on the Main P. C. Board(i).
6. Remove 7 screws(l) and then pull out the Radiator Ass'Y(AB).

<13> AMP P. C. BOARD(h) REMOVAL.

1. Remove the Chassis-top(44), referring to the previous step<1>.
2. Remove the Radiator Ass'Y(AB), referring to the Previous step<12>.
3. Disconnect the connector(CN 402) from lead wire(posistor, 2P) on the Radiator-main (21).
4. Remove 4 screws(D) and then remove the Amp P. C. Board(h).

<14> POWER TRANS(38) REMOVAL.

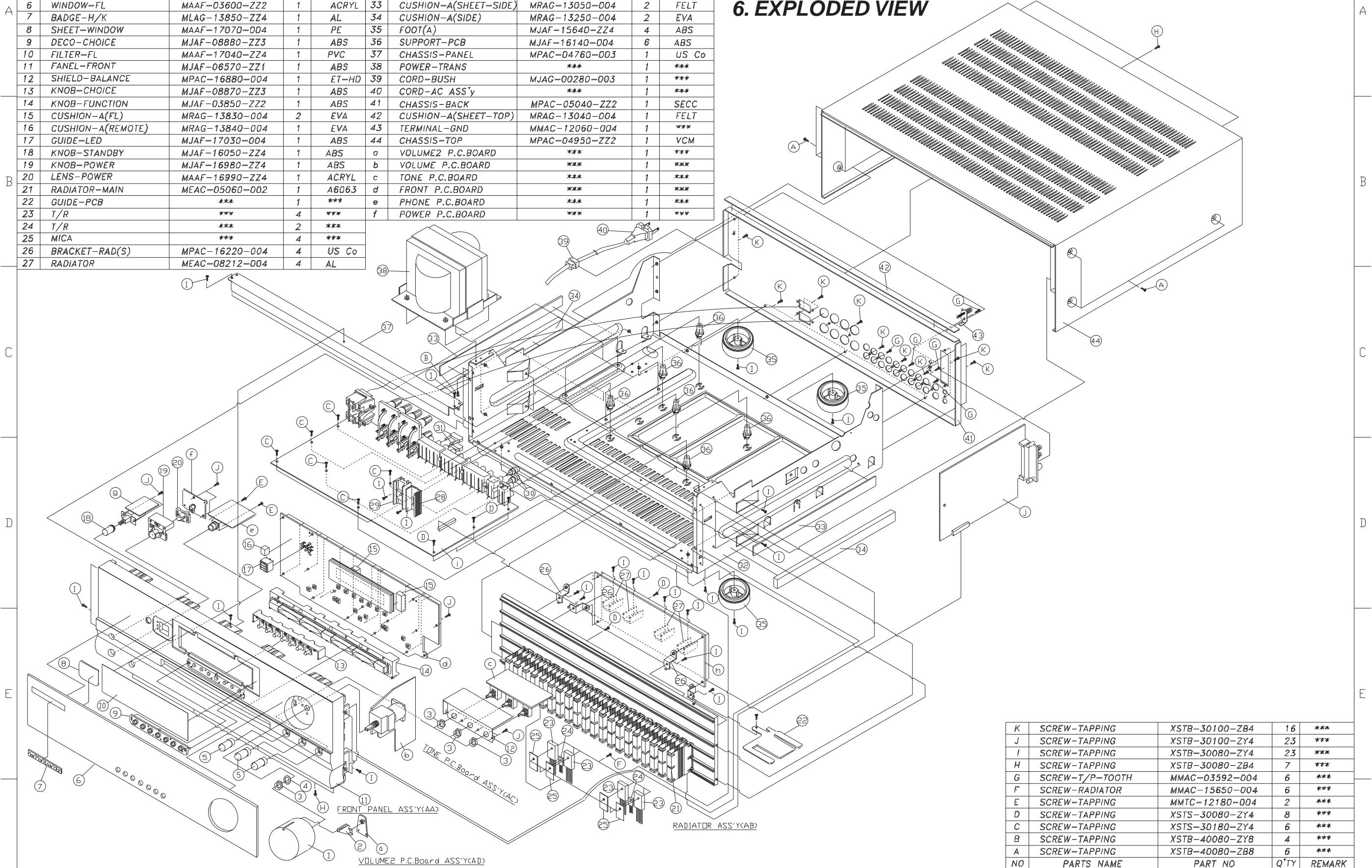
1. Remove the Chassis-top(44), referring to the previous step<1>.
2. Disconnect the lead wire(2P) from connector(CN 103) on the Main P. C. Board(i).
3. Disconnect the lead wire(3P) from connector(CN 104) on the Main P. C. Board(i).
4. Disconnect the lead wire(6P) from connector(CN 105) on the Main P. C. Board(i).
5. Disconnect the lead wire(3P) from connector(CN 106) on the Main P. C. Board(i).
6. Remove 4 screws(B) and then remove the Power trans(38).

<15> MAIN P. C. BOARD(i) REMOVAL.

1. Remove the Chassis-top(44), referring to the previous step<1>.
2. Remove the Tuner P. C. Board(j), referring to the previous step<11>.
3. Disconnect the connector(CN 109) from lead wire(CW 701, 10P) on the Volume P. C. Board(b).
4. Disconnect the connector(CN 108) from lead wire(CW 401, 4P) on the Amp P. C. Board(h).
5. Disconnect the connector(CN 115) from connector(CN 301, card cable) on the Front P. C. Board(d).
6. Disconnect the connector(CN 107) from lead wire(CW 402, 10P) on the Amp P. C. Board(h).
7. Disconnect the connector(CN 106) from lead wire(3P) on the Power-trans(38).
8. Disconnect the connector(CN 105) from lead wire(6P) on the Power-trans(38).
9. Disconnect the connector(CN 113) from lead wire(CW 301, 7P) on the Front P. C. Board(d).
10. Disconnect the connector(CN 104) from lead wire(3P) on the Power-trans(38).
11. Disconnect the connector(CN 111, CN 112) from lead wire(CW 403, 4P) on the Amp P. C. Board(h).
12. Disconnect the connector(CN 102) from lead wire(CN 801, 2P) on the Standby P. C. Board(g).
13. Disconnect the connector(CN 103) from lead wire(2P) on the Power-trans(38).
14. Disconnect the connector(CN 101) from Ac cord(40).

| NO | PARTS NAME | PART NO | Q'TY | REMARK | NO | PARTS NAME | PART NO | Q'TY | REMARK | NO | PARTS NAME | PART NO | Q'TY | REMARK |
|----|-------------------|----------------|------|--------|----|-----------------------|----------------|------|--------|----|-------------------|---------|------|--------|
| 1 | KNOB-VOLUME | MJAF-16100-ZZ4 | 1 | ABS | 28 | RADIATOR-TR | MEAC-08215-004 | 1 | AL | g | STANDBY P.C.BOARD | *** | 1 | *** |
| 2 | LENS-VOLUME | MAAF-16130-ZZ3 | 1 | ACRYL | 29 | HEAT-SINK(TR) | MEAC-12693-004 | 1 | AL | h | AMP P.C.BOARD | *** | 1 | *** |
| 3 | NUT | *** | 4 | *** | 30 | PLUG-RCA | PLRC-00020-S30 | 2 | *** | i | MAIN P.C.BOARD | *** | 1 | *** |
| 4 | WASHER | *** | 1 | *** | 31 | JACK-CONNECT | MMAC-17070-004 | 2 | *** | j | TUNER P.C.BOARD | *** | 1 | *** |
| 5 | KNOB-BALANCE | MJAF-16070-ZZ4 | 3 | ABS | 32 | CHASSIS-BOTTOM | MPAC-04812-002 | 1 | US Co | | | | | |
| 6 | WINDOW-FL | MAAF-03600-ZZ2 | 1 | ACRYL | 33 | CUSHION-A(SHEET-SIDE) | MRAG-13050-004 | 2 | FELT | | | | | |
| 7 | BADGE-H/K | MLAG-13850-ZZ4 | 1 | AL | 34 | CUSHION-A(SIDE) | MRAG-13250-004 | 2 | EVA | | | | | |
| 8 | SHEET-WINDOW | MAAF-17070-004 | 1 | PE | 35 | FOOT(A) | MJAF-15640-ZZ4 | 4 | ABS | | | | | |
| 9 | DECO-CHOICE | MJAF-08880-ZZ3 | 1 | ABS | 36 | SUPPORT-PCB | MJAF-16140-004 | 6 | ABS | | | | | |
| 10 | FILTER-FL | MAAF-17040-ZZ4 | 1 | PVC | 37 | CHASSIS-PANEL | MPAC-04760-003 | 1 | US Co | | | | | |
| 11 | PANEL-FRONT | MJAF-06570-ZZ1 | 1 | ABS | 38 | POWER-TRANS | *** | 1 | *** | | | | | |
| 12 | SHIELD-BALANCE | MPAC-16880-004 | 1 | ET-HD | 39 | CORD-BUSH | MJAG-00280-003 | 1 | *** | | | | | |
| 13 | KNOB-CHOICE | MJAF-08870-ZZ3 | 1 | ABS | 40 | CORD-AC ASS'y | *** | 1 | *** | | | | | |
| 14 | KNOB-FUNCTION | MJAF-03850-ZZ2 | 1 | ABS | 41 | CHASSIS-BACK | MPAC-05040-ZZ2 | 1 | SECC | | | | | |
| 15 | CUSHION-A(FL) | MRAG-13830-004 | 2 | EVA | 42 | CUSHION-A(SHEET-TOP) | MRAG-13040-004 | 1 | FELT | | | | | |
| 16 | CUSHION-A(REMOTE) | MRAG-13840-004 | 1 | EVA | 43 | TERMINAL-GND | MMAC-12060-004 | 1 | *** | | | | | |
| 17 | GUIDE-LED | MJAF-17030-004 | 1 | ABS | 44 | CHASSIS-TOP | MPAC-04950-ZZ2 | 1 | VCM | | | | | |
| 18 | KNOB-STANDBY | MJAF-16050-ZZ4 | 1 | ABS | a | VOLUME2 P.C.BOARD | *** | 1 | *** | | | | | |
| 19 | KNOB-POWER | MJAF-16980-ZZ4 | 1 | ABS | b | VOLUME P.C.BOARD | *** | 1 | *** | | | | | |
| 20 | LENS-POWER | MAAF-16990-ZZ4 | 1 | ACRYL | c | tone P.C.BOARD | *** | 1 | *** | | | | | |
| 21 | RADIATOR-MAIN | MEAC-05060-002 | 1 | A6063 | d | FRONT P.C.BOARD | *** | 1 | *** | | | | | |
| 22 | GUIDE-PCB | *** | 1 | *** | e | PHONE P.C.BOARD | *** | 1 | *** | | | | | |
| 23 | T/R | *** | 4 | *** | f | POWER P.C.BOARD | *** | 1 | *** | | | | | |
| 24 | T/R | *** | 2 | *** | | | | | | | | | | |
| 25 | MICA | *** | 4 | *** | | | | | | | | | | |
| 26 | BRACKET-RAD(S) | MPAC-16220-004 | 4 | US Co | | | | | | | | | | |
| 27 | RADIATOR | MEAC-08212-004 | 4 | AL | | | | | | | | | | |

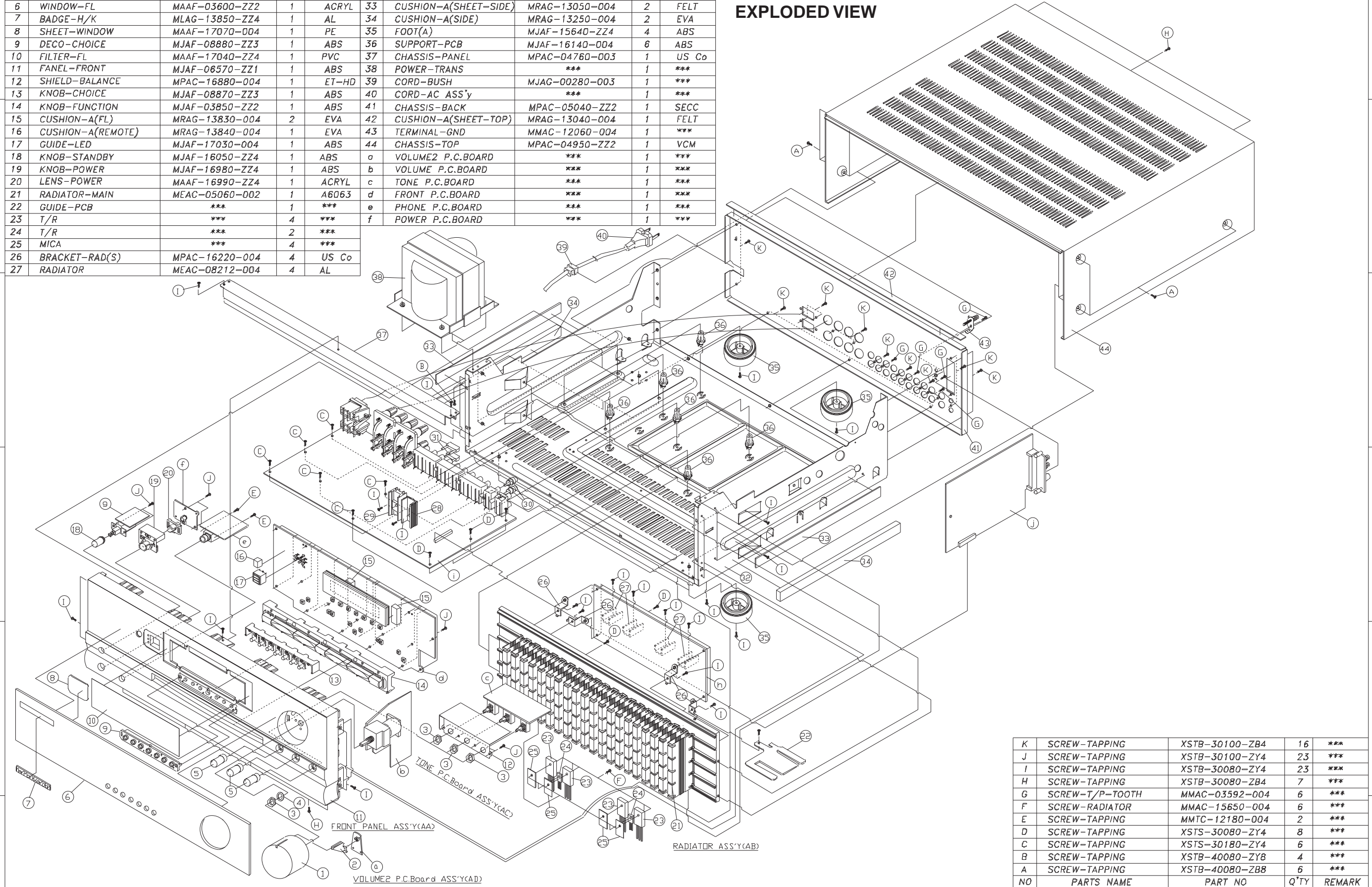
6. EXPLODED VIEW



| K | SCREW-TAPPING | XSTB-30100-ZB4 | 16 | *** |
|----|-----------------|----------------|------|--------|
| J | SCREW-TAPPING | XSTB-30100-ZY4 | 23 | *** |
| I | SCREW-TAPPING | XSTB-30080-ZY4 | 23 | *** |
| H | SCREW-TAPPING | XSTB-30080-ZB4 | 7 | *** |
| G | SCREW-T/P-TOOTH | MMAC-03592-004 | 6 | *** |
| F | SCREW-RADIATOR | MMAC-15650-004 | 6 | *** |
| E | SCREW-TAPPING | MMTC-12180-004 | 2 | *** |
| D | SCREW-TAPPING | XSTS-30080-ZY4 | 8 | *** |
| C | SCREW-TAPPING | XSTS-30180-ZY4 | 6 | *** |
| B | SCREW-TAPPING | XSTB-40080-ZYB | 4 | *** |
| A | SCREW-TAPPING | XSTB-40080-ZB8 | 6 | *** |
| NO | PARTS NAME | PART NO | Q'TY | REMARK |

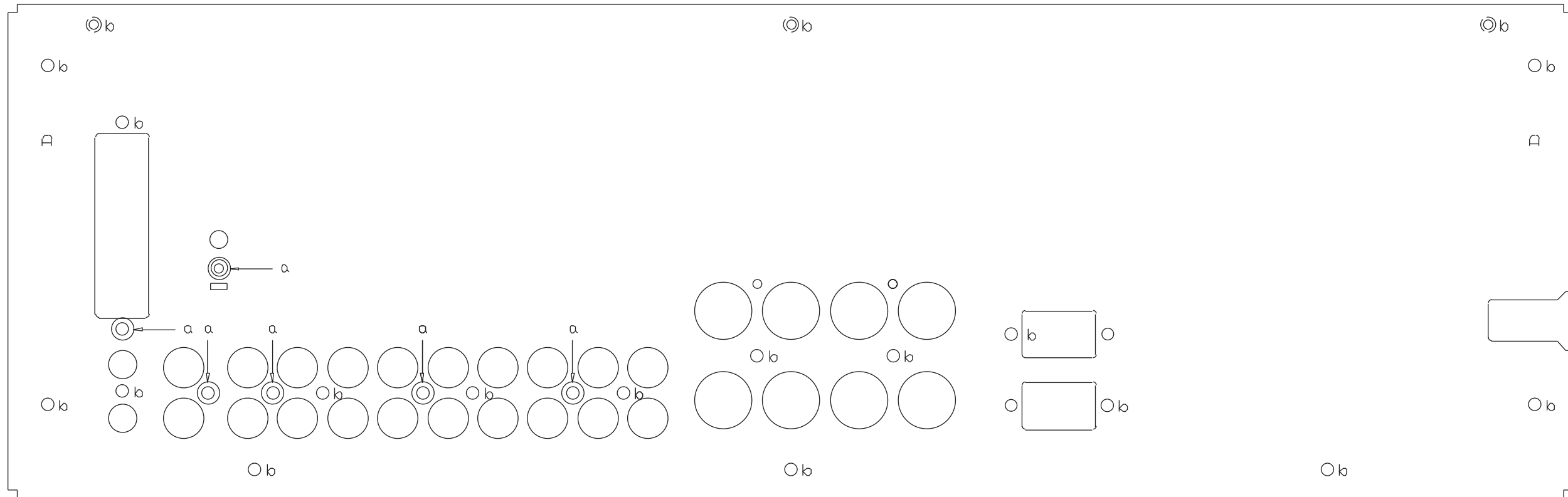
| NO | PARTS NAME | PART NO | Q'TY | REMARK | NO | PARTS NAME | PART NO | Q'TY | REMARK | NO | PARTS NAME | PART NO | Q'TY | REMARK |
|----|-------------------|----------------|------|--------|----|-----------------------|----------------|------|--------|----|-------------------|---------|------|--------|
| 1 | KNOB-VOLUME | MJAF-16100-ZZ4 | 1 | ABS | 28 | RADIATOR-TR | MEAC-08215-004 | 1 | AL | g | STANDBY P.C.BOARD | *** | 1 | *** |
| 2 | LENS-VOLUME | MAAF-16130-ZZ3 | 1 | ACRYL | 29 | HEAT-SINK(TR) | MEAC-12693-004 | 1 | AL | h | AMP P.C.BOARD | *** | 1 | *** |
| 3 | NUT | *** | 4 | *** | 30 | PLUG-RCA | PLRC-00020-S30 | 2 | *** | i | MAIN P.C.BOARD | *** | 1 | *** |
| 4 | WASHER | *** | 1 | *** | 31 | JACK-CONNECT | MMAC-17070-004 | 2 | *** | j | TUNER P.C.BOARD | *** | 1 | *** |
| 5 | KNOB-BALANCE | MJAF-16070-ZZ4 | 3 | ABS | 32 | CHASSIS-BOTTOM | MPAC-04812-002 | 1 | US Co | | | | | |
| 6 | WINDOW-FL | MAAF-03600-ZZ2 | 1 | ACRYL | 33 | CUSHION-A(SHEET-SIDE) | MRAG-13050-004 | 2 | FELT | | | | | |
| 7 | BADGE-H/K | MLAG-13850-ZZ4 | 1 | AL | 34 | CUSHION-A(SIDE) | MRAG-13250-004 | 2 | EVA | | | | | |
| 8 | SHEET-WINDOW | MAAF-17070-004 | 1 | PE | 35 | FOOT(A) | MJAF-15640-ZZ4 | 4 | ABS | | | | | |
| 9 | DECO-CHOICE | MJAF-08880-ZZ3 | 1 | ABS | 36 | SUPPORT-PCB | MJAF-16140-004 | 6 | ABS | | | | | |
| 10 | FILTER-FL | MAAF-17040-ZZ4 | 1 | PVC | 37 | CHASSIS-PANEL | MPAC-04760-003 | 1 | US Co | | | | | |
| 11 | FANEL-FRONT | MJAF-06570-ZZ1 | 1 | ABS | 38 | POWER-TRANS | *** | 1 | *** | | | | | |
| 12 | SHIELD-BALANCE | MPAC-16880-004 | 1 | ET-HD | 39 | CORD-BUSH | MJAG-00280-003 | 1 | *** | | | | | |
| 13 | KNOB-CHOICE | MJAF-08870-ZZ3 | 1 | ABS | 40 | CORD-AC ASS'y | *** | 1 | *** | | | | | |
| 14 | KNOB-FUNCTION | MJAF-03850-ZZ2 | 1 | ABS | 41 | CHASSIS-BACK | MPAC-05040-ZZ2 | 1 | SECC | | | | | |
| 15 | CUSHION-A(FL) | MRAG-13830-004 | 2 | EVA | 42 | CUSHION-A(SHEET-TOP) | MRAG-13040-004 | 1 | FELT | | | | | |
| 16 | CUSHION-A(REMOTE) | MRAG-13840-004 | 1 | EVA | 43 | TERMINAL-GND | MMAC-12060-004 | 1 | *** | | | | | |
| 17 | GUIDE-LED | MJAF-17030-004 | 1 | ABS | 44 | CHASSIS-TOP | MPAC-04950-ZZ2 | 1 | VCM | | | | | |
| 18 | KNOB-STANDBY | MJAF-16050-ZZ4 | 1 | ABS | o | VOLUME2 P.C.BOARD | *** | 1 | *** | | | | | |
| 19 | KNOB-POWER | MJAF-16980-ZZ4 | 1 | ABS | b | VOLUME P.C.BOARD | *** | 1 | *** | | | | | |
| 20 | LENS-POWER | MAAF-16990-ZZ4 | 1 | ACRYL | c | TONE P.C.BOARD | *** | 1 | *** | | | | | |
| 21 | RADIATOR-MAIN | MEAC-05060-002 | 1 | A6063 | d | FRONT P.C.BOARD | *** | 1 | *** | | | | | |
| 22 | GUIDE-PCB | *** | 1 | *** | e | PHONE P.C.BOARD | *** | 1 | *** | | | | | |
| 23 | T/R | *** | 4 | *** | f | POWER P.C.BOARD | *** | 1 | *** | | | | | |
| 24 | T/R | *** | 2 | *** | | | | | | | | | | |
| 25 | MICA | *** | 4 | *** | | | | | | | | | | |
| 26 | BRACKET-RAD(S) | MPAC-16220-004 | 4 | US Co | | | | | | | | | | |
| 27 | RADIATOR | MEAC-08212-004 | 4 | AL | | | | | | | | | | |

EXPLODED VIEW



| | | | | |
|----|-----------------|----------------|------|--------|
| K | SCREW-TAPPING | XSTB-30100-ZB4 | 16 | *** |
| J | SCREW-TAPPING | XSTB-30100-ZY4 | 23 | *** |
| I | SCREW-TAPPING | XSTB-30080-ZY4 | 23 | *** |
| H | SCREW-TAPPING | XSTB-30080-ZB4 | 7 | *** |
| G | SCREW-T/P-TOOTH | MMAC-03592-004 | 6 | *** |
| F | SCREW-RADIATOR | MMAC-15650-004 | 6 | *** |
| E | SCREW-TAPPING | MMTB-12180-004 | 2 | *** |
| D | SCREW-TAPPING | XSTS-30080-ZY4 | 8 | *** |
| C | SCREW-TAPPING | XSTS-30180-ZY4 | 6 | *** |
| B | SCREW-TAPPING | XSTB-40080-ZY8 | 4 | *** |
| A | SCREW-TAPPING | XSTB-40080-ZB8 | 6 | *** |
| NO | PARTS NAME | PART NO | Q'TY | REMARK |

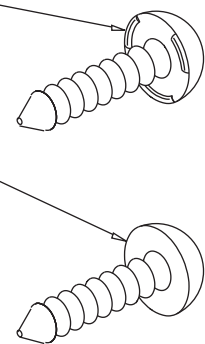
7. Principal Screw Location



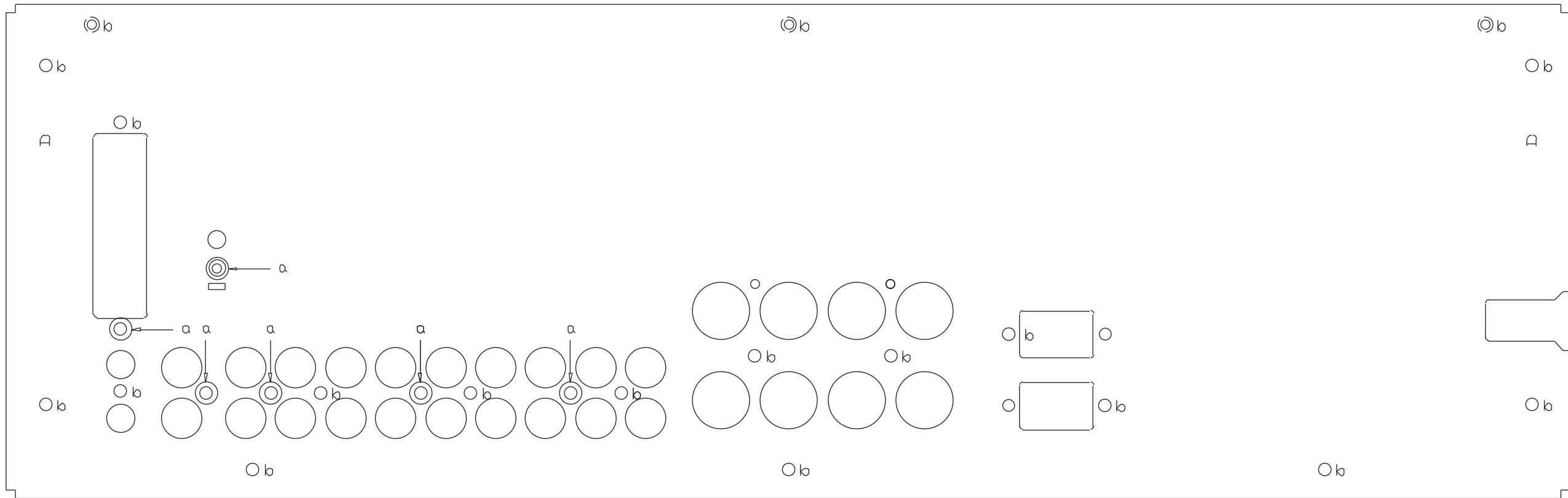
- * a POINT(6) : MMAC-16400-004 SCREW-T/P-TOOTH(FOR GROUNDING)
- * b POINT(19) : XSTB-30100-ZB4 SCREW-TAPPING

MMAC-16400-004 SCREW-T/P-TOOTH

XSTB-30100-ZB4 SCREW-TAPPING



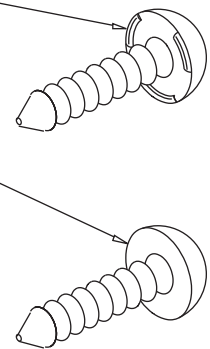
Principal Screw Location



- * a POINT(6) : MMAC-16400-004 SCREW-T/P-TOOTH(FOR GROUNDING)
- * b POINT(19) : XSTB-30100-ZB4 SCREW-TAPPING

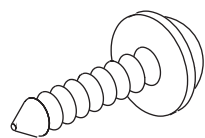
MMAC-16400-004 SCREW-T/P-TOOTH

XSTB-30100-ZB4 SCREW-TAPPING

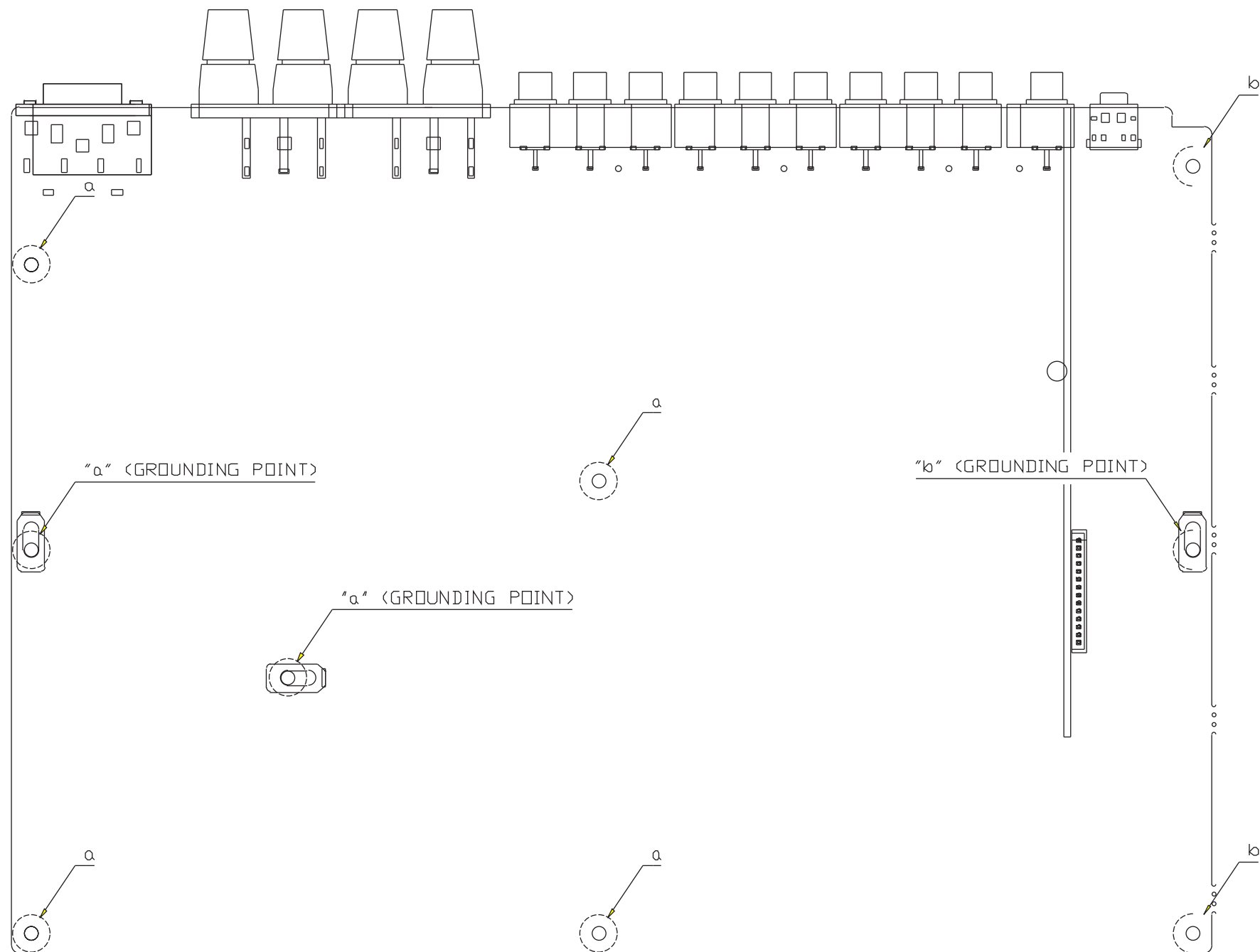
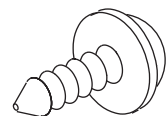


* HK-3370 : PRINCIPAL SCREW LOCATION

* a POINT
 - XSTS-30180-ZY4 SCREW-TAPPING



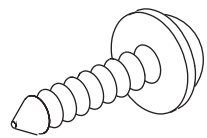
* b POINT
 - XSTS-30080-ZY4 SCREW-TAPPING



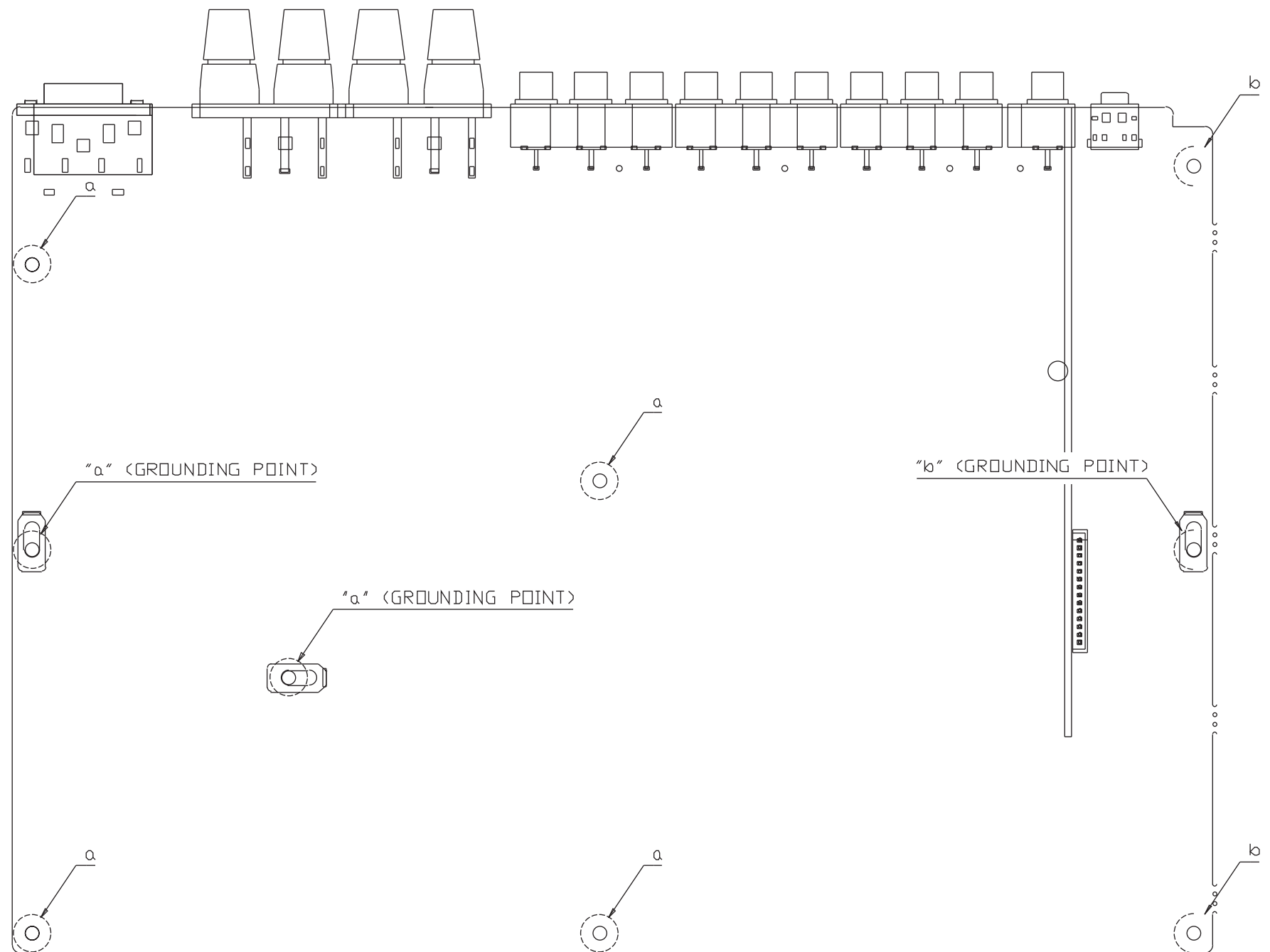
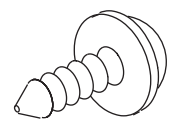
* a POINT(6) : XSTS-30180-ZY4 SCREW-TAPPING
 * b POINT(3) : XSTS-30080-ZY4 SCREW-TAPPING

* HK-3470 : PRINCIPAL SCREW LOCATION

* a POINT
 - XSTS-30180-ZY4 SCREW-TAPPING

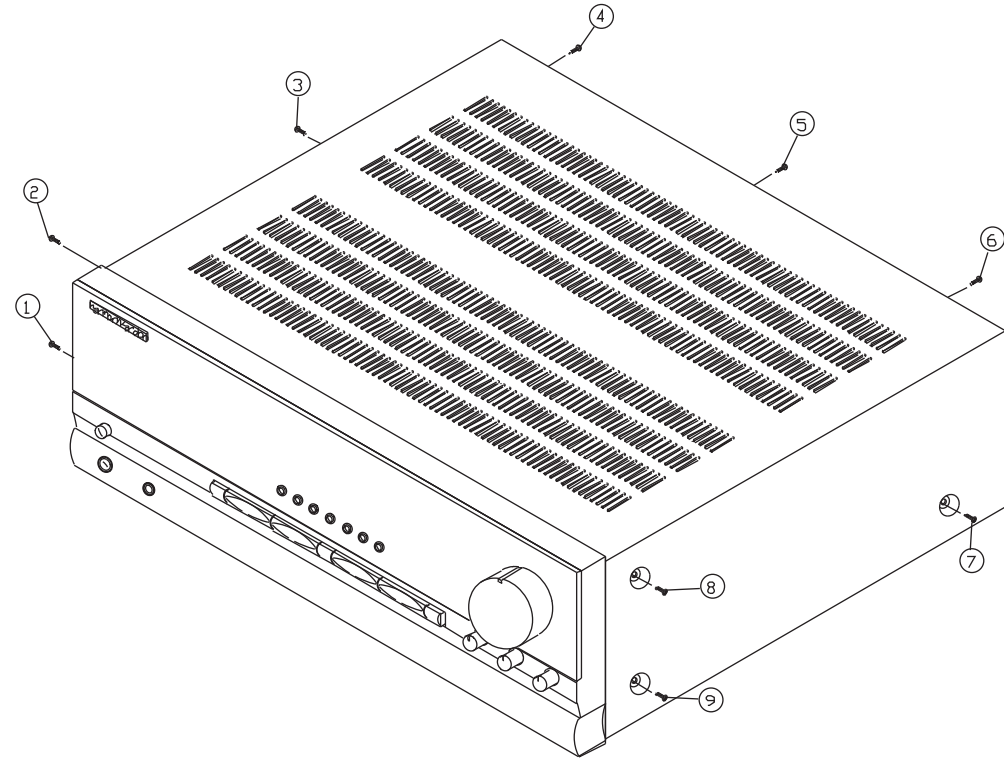


* b POINT
 - XSTS-30080-ZY4 SCREW-TAPPING

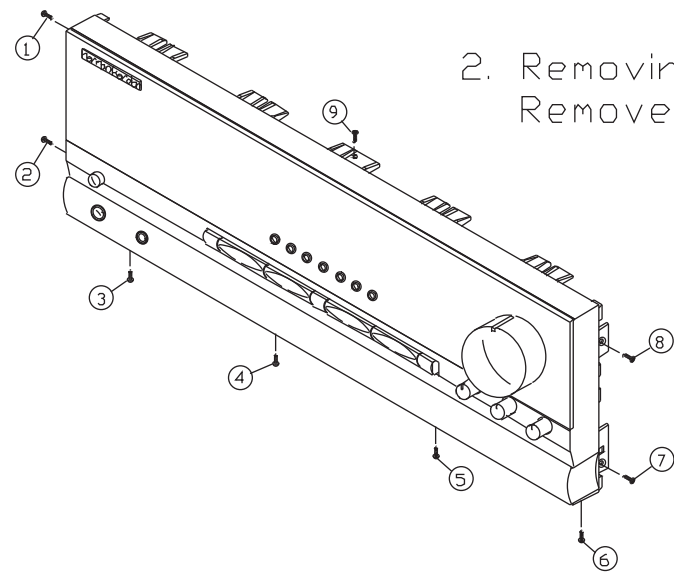


* a POINT(6) : XSTS-30180-ZY4 SCREW-TAPPING
 * b POINT(3) : XSTS-30080-ZY4 SCREW-TAPPING

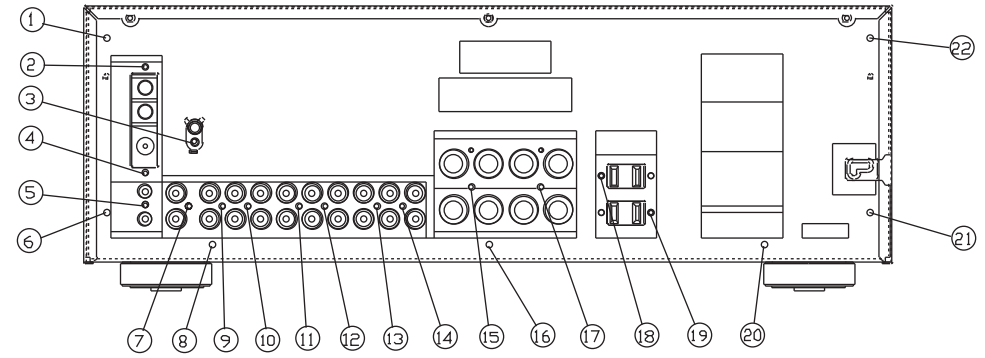
1. Removing the Chassis Top
Remove the screws ①-⑨



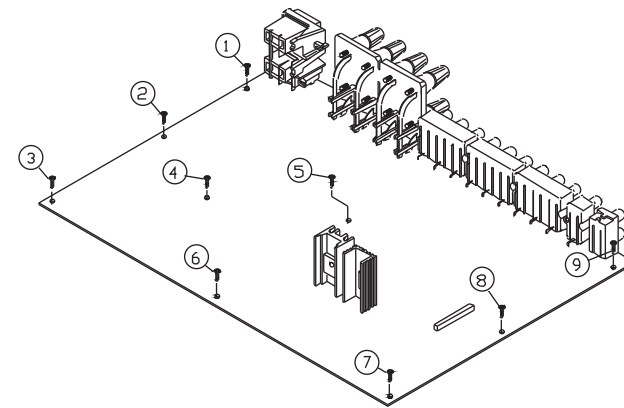
2. Removing the Front Panel
Remove the screws ①-⑨



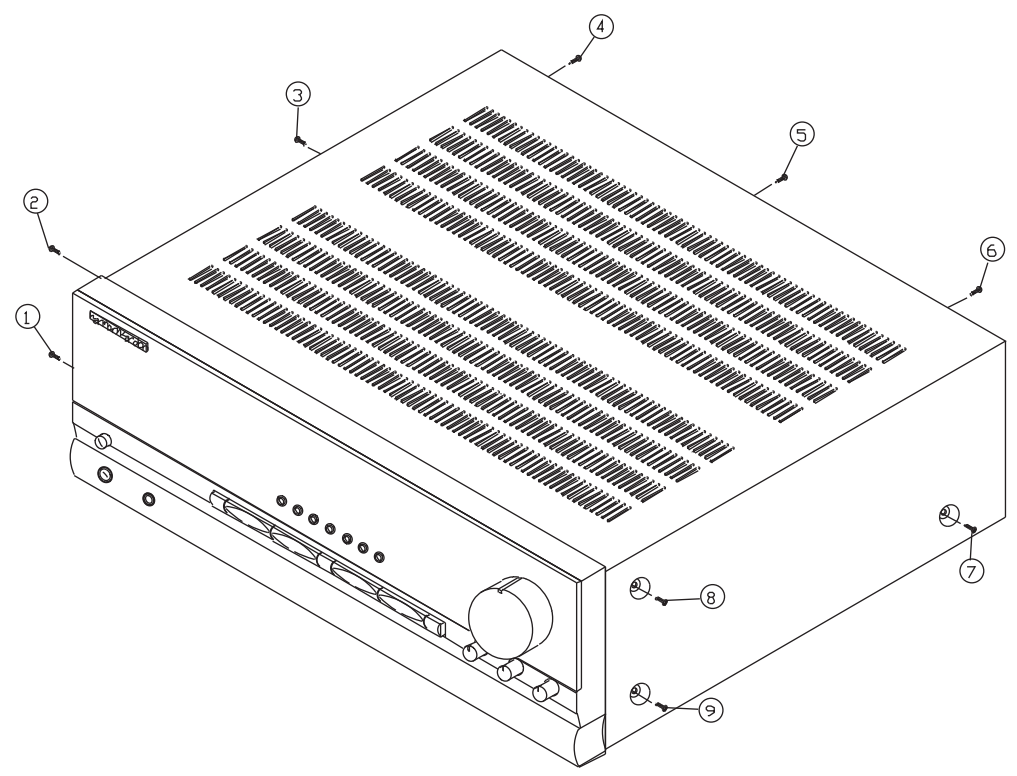
3. Removing the Rear Panel
Remove the screws ①-⑫



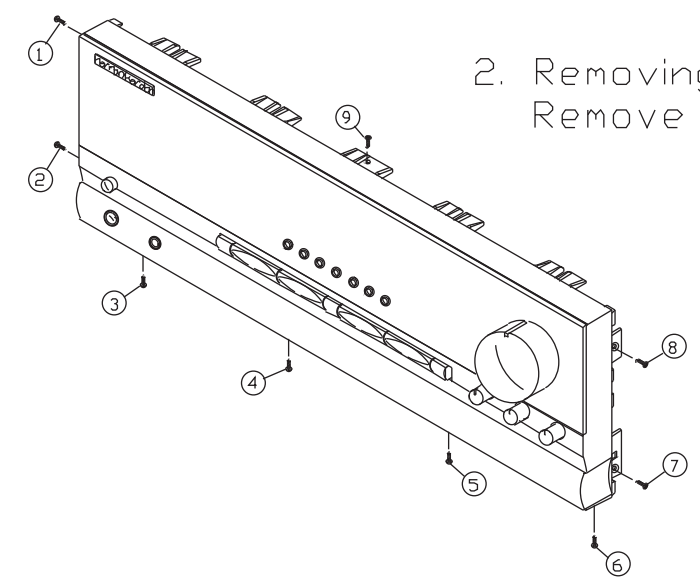
4. Removing the Main PCB Block
Remove the screws ①-⑨



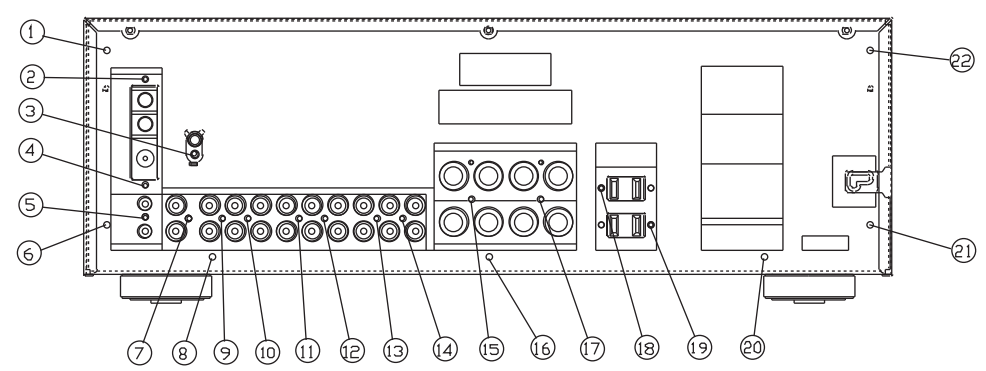
1. Removing the Chassis Top
Remove the screws ①-⑨



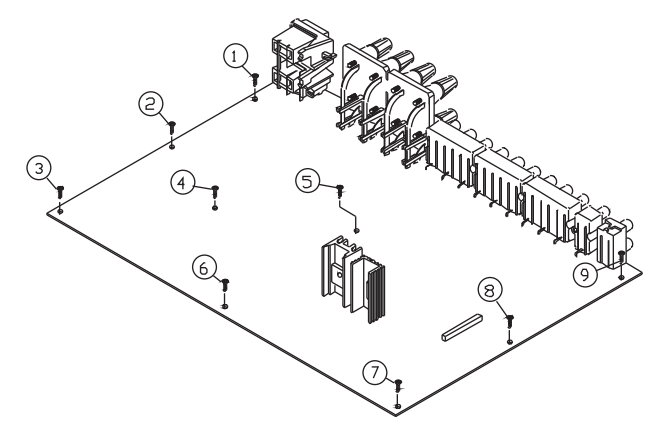
2. Removing the Front Panel
Remove the screws ①-⑨



3. Removing the Rear Panel
Remove the screws ①-⑳



4. Removing the Main PCB Block
Remove the screws ①-⑨



8. Part List

| Ref. No. | Part No. | Description | |
|--------------------|----------------|---------------------|--------------------------|
| BLOCK SUB | | | |
| | ZBNG-00700-4ZL | BOND-ADHESIVE | #575 |
| | ZBNG-01300-5ZL | LOCKER-SCREW | #1401B |
| # | ZGSI-01000-9PN | GREASE-SILICON | G-746 |
| | ZSBR-00010-060 | SOLDER-BAR | SN60 |
| # | ZSWR-00010-F60 | SOLDER-WIRE | D1.0 SN60 |
| # | ZTOP-00701-50C | TAPE-OPP | |
| | ZTWF-01200-039 | TAPE-DOUBLE FACE | TESA 4968 W = 3.0 t=0.32 |
| # | ZZFX-00010-000 | FLUX | ROSIN 28 |
| | ZZTH-00010-000 | DILUENT | ROSIN |
| BLOCK MECHA | | | |
| | ACRC-00670-000 | ASS'Y-REMOCON | HK3370RC |
| | ANTL-00060-E50 | ANTENNA-LOOP | AAN-007 19.5uH 7T 125x93 |
| | ANNT-00054-075 | ANTENNA-T TYPE | 75ohm W/TER(Y)-1200m/m |
| | BAMN-00010-150 | BATTERY MANGANESE | R03(AAAM) 1.5V 10.5x44.5 |
| | FGFB-O2002-831 | FUSE GLASS | 2A 125V 51S |
| | FGFB-O3151-831 | FUSE GLASS | 315mA 125V 5x20 U/C SB |
| | FGFB-O5002-831 | FUSE GLASS | 5A 125V 5x20 U/C SB |
| | KDAC-0575D-H00 | CORD-AC | KKP-10W WITH CORE |
| | LLA3-20401-E10 | CARD CABLE | 1.25x20Px400xCx(0.1x0.8) |
| | MAAF-03600-012 | WINDOW-FL | HK3370 ACRYL T=3.0 (L |
| | MAAF-16130-014 | LENS-VOLUME | HK3370 PMMA(IF-850) |
| | MAAF-16990-014 | LENS-POWER | HK3370 ACRYL |
| | MAAF-17040-014 | FILTER-FL | HK3370 PVC T0.5 |
| | MAAF-17070-004 | SHEET-WINDOW | PE(DRAFTING FILM) |
| | MEAC-05070-002 | RADIATOR-MAIN | A6063 T-5 |
| | MJAF-03580-012 | KNOB-FUNCTION | HK3370 ABS |
| | MJAF-06570-011 | PANEL-FRONT | HK3370 ABS |
| | MJAF-08870-013 | KNOB-CHOICE | HK3370 ABS |
| | MJAF-08880-013 | DECO-CHOICE | HK3370 ABS |
| | MJAF-15640-014 | FOOT(A) | AVR200 |
| | MJAF-16050-014 | KNOB-STANDBY | AVR200 ABS-720 |
| | MJAF-16070-014 | KNOB-BALANCE | AVR200 ABS-720 |
| | MJAF-16100-014 | KNOB-VOLUME | HK3370 ABS-720 |
| | MJAF-16140-004 | SUPPORT-PCB | ABS-720 |
| | MJAF-16980-014 | KNOB-POWER | HK3370 ABS |
| | MJAF-17030-004 | GUIDE-LED | ABS |
| | MJAG-00280-003 | CORD-BUSH | NIFCO |
| | MJAG-04540-004 | CABLE-TIE-L80 | * |
| | MLAG-13850-014 | BADGE-H/K | HK3370 AL |
| | MMAC-12060-004 | TERMINAL-GND | |
| | MMAC-15650-004 | SCREW-RADIATOR | |
| | MMAC-16400-004 | SCREW-T/P-TOOTH | 3X10 BLACK |
| | MMAC-17070-004 | JACK-CONNECT | |
| | MMSC-00900-004 | AIR-STAPLER | |
| | MMTC-00751-003 | SCREW-TAPPING | BHW T2T 3x8 FE-ZY |
| | MPAC-04760-003 | CHASSIS-PANEL | US Coating t1.0 |
| | MPAC-04812-002 | CHASSIS-BOTTOM | US COATING T1.2 |
| | MPAC-04950-012 | CHASSIS-TOP | AVR200 SECC(T0.6) + P |
| | MPAC-05040-012 | CHASSIS-BACK | HK3370 SECC T0.8 |
| | MPAC-16220-004 | BRACKET-RADIATOR(S) | US COATING T1.0 |

| Ref. No. | Part No. | Description | |
|-----------------------|----------------|----------------------|-------------------------|
| BLOCK MECHA | | | |
| | MPAC-16880-004 | SHIELD-BALANCE | ET-HD T0.5 |
| | MRAG-13040-004 | CUSHION-A | FELT 437x10x0.5 S |
| | MRAG-13050-004 | CUSHION-A | FELT 250x10x0.5 S |
| | MRAG-13250-004 | CUSHION-A | EVA T=5.0 |
| | MWAW-00910-003 | PALLETS | 1040X1126X141 |
| | PLRC-00020-S30 | PLUG RCA | SHORT JACK |
| | PTAN-03790-CJU | POWER TRANSFORMER | A86-379C-U(120V 60Hz) |
| | TFMA-00100-D00 | TRANSFORMER-MATCHING | MT115050 300ohm & 75ohm |
| Q209 | TRSC-01680-SB0 | TRANSISTOR N-H FREQ | 2SC4137 TO-126FP |
| Q213 | TRSC-01340-SJ0 | TRANSISTOR P-H FREQ | 2SC3856 |
| Q214 | TRSA-00950-SJ0 | TRANSISTOR P-H FREQ | 2SA-1492 |
| Q224 | TRSC-01680-SB0 | TRANSISTOR N-H FREQ | 2SC4137 TO-126FP |
| Q228 | TRSC-01340-SJ0 | TRANSISTOR P-H FREQ | 2SC3856 |
| Q229 | TRSA-00950-SJ0 | TRANSISTOR P-H FREQ | 2SA-1492 |
| Q239 | TRSC-01680-SB0 | TRANSISTOR N-H FREQ | 2SC4137 TO-126FP |
| Q243 | TRSC-01340-SJ0 | TRANSISTOR P-H FREQ | 2SC3856 |
| Q244 | TRSA-00950-SJ0 | TRANSISTOR P-H FREQ | 2SA-1492 |
| Q254 | TRSC-01680-SB0 | TRANSISTOR N-H FREQ | 2SC4137 TO-126FP |
| Q256 | TRSC-01340-SJ0 | TRANSISTOR P-H FREQ | 2SC3856 |
| Q259 | TRSA-00950-SJ0 | TRANSISTOR P-H FREQ | 2SA-1492 |
| Q269 | TRSC-01680-SB0 | TRANSISTOR N-H FREQ | 2SC4137 TO-126FP |
| Q273 | TRSC-01340-SJ0 | TRANSISTOR P-H FREQ | 2SC3856 |
| Q274 | TRSA-00950-SJ0 | TRANSISTOR P-H FREQ | 2SA-1492 |
| | U348-9B350-480 | WIRE-ASS'Y | 1618#18-500 WHT 3P |
| | VSPO-00010-100 | POSISTOR | P42T8D100BW23 |
| | XSTB-30080-ZB4 | SCREW-TAPPING | BHT2T 3x8 FE-ZB |
| | XSTB-30080-ZY4 | SCREW-TAPPING | BHT2T 3x8 FE-ZY |
| | XSTB-30100-ZB4 | SCREW-TAPPING | BHT2T 3x10 FE-ZB |
| | XSTB-30100-ZY4 | SCREW-TAPPING | BHT2T 3x10 FE-ZY |
| | XSTB-40080-ZB8 | SCREW-TAPPING | BHT3T 4x8 FE-ZB |
| | XSTB-40080-ZY8 | SCREW-TAPPING | BHT3T 4x8 FE-ZY |
| | XSTS-30080-ZY4 | SCREW-TAPPING | PHWT2T 3x8 FE-ZY |
| | XSTS-30180-ZY4 | SCREW-TAPPING | PHWT2T 3x18 FE-ZY |
| | YGAP-14860-054 | BOX-GIFT | HK3370 535X480X231 DW |
| | YSAP-12070-002 | CUSHION-L/R | EPS |
| | YVAP-01862-004 | POLY-BAG-F | * |
| | YVAP-13320-004 | TOLON-SHEET | 750x1200 0.5t |
| | 7JJG-00212-001 | PACKING WRAP | 500mm*1400m |
| BLOCK MAIN PCB | | | |
| C101 | CCAT-J101K-AAB | CAPACITOR CERAMIC | 100PF K 50V B T |
| C102 | CCAT-J101K-AAB | CAPACITOR CERAMIC | 100PF K 50V B T |
| C119 | CCAT-J101K-AAB | CAPACITOR CERAMIC | 100PF K 50V B T |
| C120 | CCAT-J101K-AAB | CAPACITOR CERAMIC | 100PF K 50V B T |
| C134 | CCAT-F103Z-AAF | CAPACITOR CERAMIC | 0.01uF Z 25V F T |
| C135 | CCAT-J473Z-AAF | CAPACITOR CERAMIC | 0.047uF Z 50V F T |
| C136 | CCAT-J473Z-AAF | CAPACITOR CERAMIC | 0.047uF Z 50V F T |
| C137 | CCAT-J473Z-AAF | CAPACITOR CERAMIC | 0.047uF Z 50V F T |
| C139 | CEET-J4R7M-C10 | CAPACITOR E/ALUMINUM | 4.7uF M 50V 5x11 T |
| C140 | CEET-J4R7M-C10 | CAPACITOR E/ALUMINUM | 4.7uF M 50V 5x11 T |
| C141 | CCAT-J102K-AAB | CAPACITOR CERAMIC | 1000PF K 50V B T |

| Ref. No. | Part No. | Description |
|-----------------------|----------------|---|
| BLOCK MAIN PCB | | |
| C142 | CCAT-J102K-AAB | CAPACITOR CERAMIC 1000PF K 50V B T |
| C143 | CEET-D101M-CIO | CAPACITOR E/ALUMINUM 100uF M 10V 5x11 T |
| C144 | CEET-D101M-CIO | CAPACITOR E/ALUMINUM 100uF M 10V 5x11 T |
| C145 | CFMT-N152J-CJO | CAPACITOR F/POLYESTR 0.0015uF J 100V 5.4x12 T |
| C146 | CFMT-N152J-CJO | CAPACITOR F/POLYESTR 0.0015uF J 100V 5.4x12 T |
| C147 | CFMT-N562J-DJO | CAPACITOR F/POLYESTR 0.0056uF J 100V 5.8x12 T |
| C148 | CFMT-N562J-DJO | CAPACITOR F/POLYESTR 0.0056uF J 100V 5.8x12 T |
| C149 | CEET-J4R7M-CIO | CAPACITOR E/ALUMINUM 4.7uF M 50V 5x11 T |
| C150 | CEET-J4R7M-CIO | CAPACITOR E/ALUMINUM 4.7uF M 50V 5x11 T |
| C151 | CFMT-N182J-CJO | CAPACITOR F/POLYESTR 0.0018uF J 100V 5.5x12 T |
| C152 | CFMT-N182J-CJO | CAPACITOR F/POLYESTR 0.0018uF J 100V 5.5x12 T |
| C153 | CEET-F470M-CIO | CAPACITOR E/ALUMINUM 47uF M 25V 5x11 T |
| C154 | CEET-F470M-CIO | CAPACITOR E/ALUMINUM 47uF M 25V 5x11 T |
| C155 | CEET-F470M-CIO | CAPACITOR E/ALUMINUM 47uF M 25V 5x11 T |
| C156 | CEET-F470M-CIO | CAPACITOR E/ALUMINUM 47uF M 25V 5x11 T |
| C157 | CEET-J1R0M-CIO | CAPACITOR E/ALUMINUM 1.0uF M 50V 5x11 T |
| C158 | CCAT-J101K-AAB | CAPACITOR CERAMIC 100PF K 50V B T |
| C159 | CEET-J4R7M-CIO | CAPACITOR E/ALUMINUM 4.7uF M 50V 5x11 T |
| C160 | CEET-J4R7M-CIO | CAPACITOR E/ALUMINUM 4.7uF M 50V 5x11 T |
| C161 | CEET-F470M-CIO | CAPACITOR E/ALUMINUM 47uF M 25V 5x11 T |
| C162 | CEET-F470M-CIO | CAPACITOR E/ALUMINUM 47uF M 25V 5x11 T |
| C163 | CEET-F470M-CIO | CAPACITOR E/ALUMINUM 47uF M 25V 5x11 T |
| C164 | CEET-F470M-CIO | CAPACITOR E/ALUMINUM 47uF M 25V 5x11 T |
| C173 | CEET-J4R7M-CIO | CAPACITOR E/ALUMINUM 4.7uF M 50V 5x11 T |
| C174 | CEET-J4R7M-CIO | CAPACITOR E/ALUMINUM 4.7uF M 50V 5x11 T |
| C175 | CCAT-J102K-AAB | CAPACITOR CERAMIC 1000PF K 50V B T |
| C176 | CCAT-J102K-AAB | CAPACITOR CERAMIC 1000PF K 50V B T |
| C177 | CEET-J4R7M-CIO | CAPACITOR E/ALUMINUM 4.7uF M 50V 5x11 T |
| C178 | CEET-J4R7M-CIO | CAPACITOR E/ALUMINUM 4.7uF M 50V 5x11 T |
| C179 | CEET-F470M-CIO | CAPACITOR E/ALUMINUM 47uF M 25V 5x11 T |
| C180 | CEET-F470M-CIO | CAPACITOR E/ALUMINUM 47uF M 25V 5x11 T |
| C183 | CEET-J1R0M-CIO | CAPACITOR E/ALUMINUM 1.0uF M 50V 5x11 T |
| C184 | CACS-S472M-179 | CAPACITOR AC DE7100F472M |
| C185 | CFMT-N473J-GKO | CAPACITOR F/POLYESTR 0.047uF J 100V 8.9x13. T |
| C186 | CFMT-N473J-GKO | CAPACITOR F/POLYESTR 0.047uF J 100V 8.9x13. T |
| C187 | CFMT-N473J-GKO | CAPACITOR F/POLYESTR 0.047uF J 100V 8.9x13. T |
| C188 | CEET-F102M-HNO | CAPACITOR E/ALUMINUM 1000uF M 25V 13x16 T |
| C189 | CEET-J1R0M-CIO | CAPACITOR E/ALUMINUM 1.0uF M 50V 5x11 T |
| C190 | CCAT-J104Z-AAF | CAPACITOR CERAMIC 0.1uF Z 50V F T |
| C191 | CCAT-F223Z-AAF | CAPACITOR CERAMIC 0.022uF Z 25V F T |
| C192 | CCAT-F223Z-AAF | CAPACITOR CERAMIC 0.022uF Z 25V F T |
| C194 | CEET-J470M-DIO | CAPACITOR E/ALUMINUM 47uF M 50V 6.3x11 T |
| C195 | CEET-J470M-DIO | CAPACITOR E/ALUMINUM 47uF M 50V 6.3x11 T |
| C196 | CCCT-J104Z-OFF | CAPACITOR CERAMIC 0.1uF Z 50V F T |
| C197 | CFMT-N103J-DEO | CAPACITOR F/POLYESTR 0.01uF J 100V 6x7 T |
| C198 | CFMT-N103J-DEO | CAPACITOR F/POLYESTR 0.01uF J 100V 6x7 T |
| C199 | CFMT-N103J-DEO | CAPACITOR F/POLYESTR 0.01uF J 100V 6x7 T |
| C200 | CEET-E471M-FI1 | CAPACITOR E/ALUMINUM 470uF M 16V 8x11.5 U T |
| C201 | CEET-J1R0M-CIO | CAPACITOR E/ALUMINUM 1.0uF M 50V 5x11 T |
| C202 | CCAT-J104Z-AAF | CAPACITOR CERAMIC 0.1uF Z 50V F T |
| C203 | CFMT-N103J-DEO | CAPACITOR F/POLYESTR 0.01uF J 100V 6x7 T |

| Ref. No. | Part No. | Description |
|-----------------------|----------------|---|
| BLOCK MAIN PCB | | |
| C204 | CFMT-N103J-DE0 | CAPACITOR F/POLYESTR 0.01uF J 100V 6x7 T |
| C205 | CFMT-N103J-DE0 | CAPACITOR F/POLYESTR 0.01uF J 100V 6x7 T |
| C206 | CEEM-G222M-LR1 | CAPACITOR E/ALUMINUM 2200uF M 35V 16x31.5 U M |
| C207 | CEEM-G222M-LR1 | CAPACITOR E/ALUMINUM 2200uF M 35V 16x31.5 U M |
| C208 | CEET-J1R0M-C10 | CAPACITOR E/ALUMINUM 1.0uF M 50V 5x11 T |
| C209 | CEET-J1R0M-C10 | CAPACITOR E/ALUMINUM 1.0uF M 50V 5x11 T |
| C210 | CEET-G221M-HJ1 | CAPACITOR E/ALUMINUM 220uF M 35V 10x12.5 U T |
| C211 | CFMT-S104K-G10 | CAPACITOR F/POLYESTR 0.1uF K 250V 9.5x11 TL |
| C212 | CFMT-S104K-G10 | CAPACITOR F/POLYESTR 0.1uF K 250V 9.5x11 TL |
| C213 | CFMT-S104K-G10 | CAPACITOR F/POLYESTR 0.1uF K 250V 9.5x11 TL |
| C214 | CFMT-S104K-G10 | CAPACITOR F/POLYESTR 0.1uF K 250V 9.5x11 TL |
| C215 | CFMT-S104K-G10 | CAPACITOR F/POLYESTR 0.1uF K 250V 9.5x11 TL |
| C216 | CEEZ-L104M-SV3 | CAPACITOR E/ALUMINUM 10000uF M 63V 35x50 SMH |
| C217 | CEEZ-L104M-SV3 | CAPACITOR E/ALUMINUM 10000uF M 63V 35x50 SMH |
| C218 | CEET-J1R0M-C10 | CAPACITOR E/ALUMINUM 1.0uF M 50V 5x11 T |
| C219 | CEET-J1R0M-C10 | CAPACITOR E/ALUMINUM 1.0uF M 50V 5x11 T |
| C220 | CFMT-N473J-GK0 | CAPACITOR F/POLYESTR 0.047uF J 100V 8.9x13. T |
| C221 | CFMT-N473J-GK0 | CAPACITOR F/POLYESTR 0.047uF J 100V 8.9x13. T |
| C222 | CFMT-N473J-GK0 | CAPACITOR F/POLYESTR 0.047uF J 100V 8.9x13. T |
| C223 | CFMT-N473J-GK0 | CAPACITOR F/POLYESTR 0.047uF J 100V 8.9x13. T |
| | CEET-F220M-C10 | CAPACITOR E/ALUMINUM 22uF M 25V 5x11 T |
| D101 | DDMR-00230-T10 | DIODE-RECTIFIER GP60-04F(400V 6A) |
| D102 | DDMR-00230-T10 | DIODE-RECTIFIER GP60-04F(400V 6A) |
| D103 | DDMR-00230-T10 | DIODE-RECTIFIER GP60-04F(400V 6A) |
| D104 | DDMR-00230-T10 | DIODE-RECTIFIER GP60-04F(400V 6A) |
| D105 | DDTR-00040-T10 | DIODE-RECTIFIER 1N4004S(400V 1A 0.6mm) T |
| D106 | DDTR-00040-T10 | DIODE-RECTIFIER 1N4004S(400V 1A 0.6mm) T |
| D107 | DDTR-00040-T10 | DIODE-RECTIFIER 1N4004S(400V 1A 0.6mm) T |
| D108 | DDTR-00040-T10 | DIODE-RECTIFIER 1N4004S(400V 1A 0.6mm) T |
| D109 | DDTR-00040-T10 | DIODE-RECTIFIER 1N4004S(400V 1A 0.6mm) T |
| D110 | DDTR-00040-T10 | DIODE-RECTIFIER 1N4004S(400V 1A 0.6mm) T |
| D113 | DDTR-00040-T10 | DIODE-RECTIFIER 1N4004S(400V 1A 0.6mm) T |
| D114 | DDTR-00040-T10 | DIODE-RECTIFIER 1N4004S(400V 1A 0.6mm) T |
| D115 | DDTR-00040-T10 | DIODE-RECTIFIER 1N4004S(400V 1A 0.6mm) T |
| D116 | DDTR-00040-T10 | DIODE-RECTIFIER 1N4004S(400V 1A 0.6mm) T |
| D117 | DDTR-00040-T10 | DIODE-RECTIFIER 1N4004S(400V 1A 0.6mm) T |
| D118 | DDTR-00040-T10 | DIODE-RECTIFIER 1N4004S(400V 1A 0.6mm) T |
| D119 | DDTR-00040-T10 | DIODE-RECTIFIER 1N4004S(400V 1A 0.6mm) T |
| D120 | DDTR-00040-T10 | DIODE-RECTIFIER 1N4004S(400V 1A 0.6mm) T |
| D121 | DDTR-00040-T10 | DIODE-RECTIFIER 1N4004S(400V 1A 0.6mm) T |
| D122 | DDTR-00040-T10 | DIODE-RECTIFIER 1N4004S(400V 1A 0.6mm) T |
| D125 | DDTR-00040-T10 | DIODE-RECTIFIER 1N4004S(400V 1A 0.6mm) T |
| D126 | DDTR-00040-T10 | DIODE-RECTIFIER 1N4004S(400V 1A 0.6mm) T |
| D124 | DDTS-00070-SO0 | DIODE-SI 1SS133 (40V 0.11A) DO-40 T |
| D111 | DDTZ-G150C-SO0 | DIODE ZENER MTZ15C 14.35-15.09 DO40 T |
| D112 | DDTZ-G180C-SO0 | DIODE ZENER MTZ18C 17.42-18.33 DO40 T |
| RL101 | ESRY-00340-112 | RELAY SDT-S-112DMR |
| RL102 | ESRY-00370-24U | RELAY OSA-SS-224DM3(24V DC) |
| RL103 | ESRY-00370-24U | RELAY OSA-SS-224DM3(24V DC) |
| IC102 | ICDG-00260-S10 | IC FUNCTION SELECTOR LC7821 DIP30S |
| IC107 | ICOP-00131-SE0 | IC DUAL OP AMP KA4558C DIP8 |

| Ref. No. | Part No. | Description | |
|-----------------------|----------------|----------------------|-----------------------|
| BLOCK MAIN PCB | | | |
| IC101 | ICOP-00432-SG0 | IC OP AMP | NJM2068DD DIP8 |
| IC103 | ICOP-00432-SG0 | IC OP AMP | NJM2068DD DIP8 |
| IC108 | ICPC-00010-TB0 | IC PHOTOCOUPLER | LTV817B DIP4 |
| IC109 | ICRG-00043-SE0 | IC REGULATOR | KA7805 5V 3mm TO-220 |
| IC110 | ICRG-00043-SE0 | IC REGULATOR | KA7805 5V 3mm TO-220 |
| IC111 | ICRG-00061-SE0 | IC REGULATOR | KA7815 15V 3mm TO-220 |
| IC112 | ICRG-00251-SE0 | IC REGULATOR | KA7915 15V 3mm TO-220 |
| L101 | KIOT-4470K-003 | COIL-INDUCTOR | 47uH K LAL02 T |
| L102 | KIOT-4470K-003 | COIL-INDUCTOR | 47uH K LAL02 T |
| CN107 | KNCW-00140-ATM | CONNECTOR-WAFER | 5267-10A 2.5mm MILK |
| CN106 | KNCW-00140-3TM | CONNECTOR-WAFER | 5267-03A 2.5mm MILK |
| CN105 | KNCW-00140-6TM | CONNECTOR-WAFER | 5267-06A 2.5mm MILK |
| CN113 | KNCW-00140-7TM | CONNECTOR-WAFER | 5267-07A 2.5mm MILK |
| CN109 | KNCW-00240-AT9 | CONNECTOR-WAFER | 53014-10 2.0mm WHT |
| CN108 | KNCW-00240-4T9 | CONNECTOR-WAFER | 53014-04 2.0mm WHT |
| CN115 | KNCW-00823-KT9 | CONNECTOR WAFER | 6216-20PST |
| CN111 | KNCW-00970-2T9 | CONNECTOR-WAFER | JE202-1T-2P |
| CN112 | KNCW-00970-2T9 | CONNECTOR-WAFER | JE202-1T-2P |
| CN104 | KNCW-00970-3T9 | CONNECTOR-WAFER | JE202-1T-3P |
| CN101 | KNCW-00990-2T9 | CONNECTOR-WAFER | JE202A-1T-02 |
| CN102 | KNCW-00990-2T9 | CONNECTOR-WAFER | JE202A-1T-02 |
| CN103 | KNCW-00990-2T9 | CONNECTOR-WAFER | JE202A-1T-02 |
| CN114 | KNCW-01520-ES9 | CONNECTOR-WAFER | 35336-1410 20MM 14P |
| | MEAC-08215-004 | RADIATOR-TR | |
| | MEAC-12693-004 | HEAT-SINK(TR) | |
| GT101 | MPAC-03810-004 | TERMINAL-GND | ET-HD T0.3 |
| GT102 | MPAC-03810-004 | TERMINAL-GND | ET-HD T0.3 |
| GT103 | MPAC-03810-004 | TERMINAL-GND | ET-HD T0.3 |
| FC101 | MPAC-11620-004 | FUSE CLIP | 5.2Pi TAPPING TYPE |
| FC102 | MPAC-11620-004 | FUSE CLIP | 5.2Pi TAPPING TYPE |
| FC103 | MPAC-11620-004 | FUSE CLIP | 5.2Pi TAPPING TYPE |
| FC104 | MPAC-11620-004 | FUSE CLIP | 5.2Pi TAPPING TYPE |
| FC107 | MPAC-11620-004 | FUSE CLIP | 5.2Pi TAPPING TYPE |
| FC108 | MPAC-11620-004 | FUSE CLIP | 5.2Pi TAPPING TYPE |
| FC109 | MPAC-11620-004 | FUSE CLIP | 5.2Pi TAPPING TYPE |
| FC110 | MPAC-11620-004 | FUSE CLIP | 5.2Pi TAPPING TYPE |
| FC111 | MPAC-11620-004 | FUSE CLIP | 5.2Pi TAPPING TYPE |
| FC112 | MPAC-11620-004 | FUSE CLIP | 5.2Pi TAPPING TYPE |
| PCB1 | PCSR-05390-11B | PCB-SINGLE | A1R-539 330x247x1.6t |
| PT101 | PTA1-03680-CJU | TRANSFORMER-POWER | A28-368C-U |
| R226 | RCFT-E101J-000 | RESISTOR-CARBON FILM | 100ohm 1/5W 5% T |
| R101 | RCFT-E102J-000 | RESISTOR-CARBON FILM | 1Kohm 1/5W 5% T |
| R102 | RCFT-E102J-000 | RESISTOR-CARBON FILM | 1Kohm 1/5W 5% T |
| R138 | RCFT-E102J-000 | RESISTOR-CARBON FILM | 1Kohm 1/5W 5% T |
| R139 | RCFT-E102J-000 | RESISTOR-CARBON FILM | 1Kohm 1/5W 5% T |
| R140 | RCFT-E102J-000 | RESISTOR-CARBON FILM | 1Kohm 1/5W 5% T |
| R153 | RCFT-E102J-000 | RESISTOR-CARBON FILM | 1Kohm 1/5W 5% T |
| R154 | RCFT-E102J-000 | RESISTOR-CARBON FILM | 1Kohm 1/5W 5% T |
| R240 | RCFT-E102J-000 | RESISTOR-CARBON FILM | 1Kohm 1/5W 5% T |
| R239 | RCFT-E103J-000 | RESISTOR-CARBON FILM | 10Kohm 1/5W 5% T |
| R119 | RCFT-E104J-000 | RESISTOR-CARBON FILM | 100Kohm 1/5W 5% T |

| Ref. No. | Part No. | Description |
|-----------------------|----------------|--|
| BLOCK MAIN PCB | | |
| R120 | RCFT-E104J-000 | RESISTOR-CARBON FILM 100Kohm 1/5W 5% T |
| R121 | RCFT-E104J-000 | RESISTOR-CARBON FILM 100Kohm 1/5W 5% T |
| R122 | RCFT-E104J-000 | RESISTOR-CARBON FILM 100Kohm 1/5W 5% T |
| R131 | RCFT-E104J-000 | RESISTOR-CARBON FILM 100Kohm 1/5W 5% T |
| R132 | RCFT-E104J-000 | RESISTOR-CARBON FILM 100Kohm 1/5W 5% T |
| R137 | RCFT-E104J-000 | RESISTOR-CARBON FILM 100Kohm 1/5W 5% T |
| R145 | RCFT-E104J-000 | RESISTOR-CARBON FILM 100Kohm 1/5W 5% T |
| R146 | RCFT-E104J-000 | RESISTOR-CARBON FILM 100Kohm 1/5W 5% T |
| R203 | RCFT-E104J-000 | RESISTOR-CARBON FILM 100Kohm 1/5W 5% T |
| R204 | RCFT-E104J-000 | RESISTOR-CARBON FILM 100Kohm 1/5W 5% T |
| R207 | RCFT-E104J-000 | RESISTOR-CARBON FILM 100Kohm 1/5W 5% T |
| R208 | RCFT-E104J-000 | RESISTOR-CARBON FILM 100Kohm 1/5W 5% T |
| R213 | RCFT-E104J-000 | RESISTOR-CARBON FILM 100Kohm 1/5W 5% T |
| R214 | RCFT-E104J-000 | RESISTOR-CARBON FILM 100Kohm 1/5W 5% T |
| R221 | RCFT-E123J-000 | RESISTOR-CARBON FILM 12Kohm 1/5W 5% T |
| R215 | RCFT-E152J-000 | RESISTOR-CARBON FILM 1.5Kohm 1/5W 5% T |
| R216 | RCFT-E152J-000 | RESISTOR-CARBON FILM 1.5Kohm 1/5W 5% T |
| R209 | RCFT-E202J-000 | RESISTOR-CARBON FILM 2Kohm 1/5W 5% T |
| R210 | RCFT-E202J-000 | RESISTOR-CARBON FILM 2Kohm 1/5W 5% T |
| R115 | RCFT-E221J-000 | RESISTOR-CARBON FILM 220ohm 1/5W 5% T |
| R116 | RCFT-E221J-000 | RESISTOR-CARBON FILM 220ohm 1/5W 5% T |
| R117 | RCFT-E221J-000 | RESISTOR-CARBON FILM 220ohm 1/5W 5% T |
| R118 | RCFT-E221J-000 | RESISTOR-CARBON FILM 220ohm 1/5W 5% T |
| R133 | RCFT-E221J-000 | RESISTOR-CARBON FILM 220ohm 1/5W 5% T |
| R134 | RCFT-E221J-000 | RESISTOR-CARBON FILM 220ohm 1/5W 5% T |
| R135 | RCFT-E221J-000 | RESISTOR-CARBON FILM 220ohm 1/5W 5% T |
| R136 | RCFT-E221J-000 | RESISTOR-CARBON FILM 220ohm 1/5W 5% T |
| R155 | RCFT-E221J-000 | RESISTOR-CARBON FILM 220ohm 1/5W 5% T |
| R156 | RCFT-E221J-000 | RESISTOR-CARBON FILM 220ohm 1/5W 5% T |
| R217 | RCFT-E221J-000 | RESISTOR-CARBON FILM 220ohm 1/5W 5% T |
| R218 | RCFT-E221J-000 | RESISTOR-CARBON FILM 220ohm 1/5W 5% T |
| R211 | RCFT-E222J-000 | RESISTOR-CARBON FILM 2.2Kohm 1/5W 5% T |
| R212 | RCFT-E222J-000 | RESISTOR-CARBON FILM 2.2Kohm 1/5W 5% T |
| R230 | RCFT-E222J-000 | RESISTOR-CARBON FILM 2.2Kohm 1/5W 5% T |
| R232 | RCFT-E222J-000 | RESISTOR-CARBON FILM 2.2Kohm 1/5W 5% T |
| R243 | RCFT-E222J-000 | RESISTOR-CARBON FILM 2.2Kohm 1/5W 5% T |
| R244 | RCFT-E222J-000 | RESISTOR-CARBON FILM 2.2Kohm 1/5W 5% T |
| R151 | RCFT-E224J-000 | RESISTOR-CARBON FILM 220Kohm 1/5W 5% T |
| R152 | RCFT-E224J-000 | RESISTOR-CARBON FILM 220Kohm 1/5W 5% T |
| R225 | RCFT-E271J-000 | RESISTOR-CARBON FILM 270ohm 1/5W 5% T |
| R235 | RCFT-E3R3J-000 | RESISTOR-CARBON FILM 3.3ohm 1/5W 5% T |
| R236 | RCFT-E3R3J-000 | RESISTOR-CARBON FILM 3.3ohm 1/5W 5% T |
| R222 | RCFT-E332J-000 | RESISTOR-CARBON FILM 3.3Kohm 1/5W 5% T |
| R223 | RCFT-E332J-000 | RESISTOR-CARBON FILM 3.3Kohm 1/5W 5% T |
| R224 | RCFT-E332J-000 | RESISTOR-CARBON FILM 3.3Kohm 1/5W 5% T |
| R227 | RCFT-E392J-000 | RESISTOR-CARBON FILM 3.9Kohm 1/5W 5% T |
| R248 | RCFT-E4R7J-000 | RESISTOR-CARBON FILM 4.7ohm 1/5W 5% T |
| R228 | RCFT-E470J-000 | RESISTOR-CARBON FILM 47ohm 1/5W 5% T |
| R103 | RCFT-E471J-000 | RESISTOR-CARBON FILM 470ohm 1/5W 5% T |
| R104 | RCFT-E471J-000 | RESISTOR-CARBON FILM 470ohm 1/5W 5% T |
| R105 | RCFT-E471J-000 | RESISTOR-CARBON FILM 470ohm 1/5W 5% T |

| Ref. No. | Part No. | Description |
|-----------------------|----------------|---|
| BLOCK MAIN PCB | | |
| R106 | RCFT-E471J-000 | RESISTOR-CARBON FILM 470ohm 1/5W 5% T |
| R107 | RCFT-E471J-000 | RESISTOR-CARBON FILM 470ohm 1/5W 5% T |
| R108 | RCFT-E471J-000 | RESISTOR-CARBON FILM 470ohm 1/5W 5% T |
| R109 | RCFT-E471J-000 | RESISTOR-CARBON FILM 470ohm 1/5W 5% T |
| R110 | RCFT-E471J-000 | RESISTOR-CARBON FILM 470ohm 1/5W 5% T |
| R111 | RCFT-E471J-000 | RESISTOR-CARBON FILM 470ohm 1/5W 5% T |
| R112 | RCFT-E471J-000 | RESISTOR-CARBON FILM 470ohm 1/5W 5% T |
| R113 | RCFT-E471J-000 | RESISTOR-CARBON FILM 470ohm 1/5W 5% T |
| R114 | RCFT-E471J-000 | RESISTOR-CARBON FILM 470ohm 1/5W 5% T |
| R129 | RCFT-E471J-000 | RESISTOR-CARBON FILM 470ohm 1/5W 5% T |
| R130 | RCFT-E471J-000 | RESISTOR-CARBON FILM 470ohm 1/5W 5% T |
| R143 | RCFT-E471J-000 | RESISTOR-CARBON FILM 470ohm 1/5W 5% T |
| R144 | RCFT-E471J-000 | RESISTOR-CARBON FILM 470ohm 1/5W 5% T |
| R205 | RCFT-E471J-000 | RESISTOR-CARBON FILM 470ohm 1/5W 5% T |
| R206 | RCFT-E471J-000 | RESISTOR-CARBON FILM 470ohm 1/5W 5% T |
| R127 | RCFT-E473J-000 | RESISTOR-CARBON FILM 47Kohm 1/5W 5% T |
| R128 | RCFT-E473J-000 | RESISTOR-CARBON FILM 47Kohm 1/5W 5% T |
| R141 | RCFT-E473J-000 | RESISTOR-CARBON FILM 47Kohm 1/5W 5% T |
| R142 | RCFT-E473J-000 | RESISTOR-CARBON FILM 47Kohm 1/5W 5% T |
| R229 | RCFT-E473J-000 | RESISTOR-CARBON FILM 47Kohm 1/5W 5% T |
| R125 | RCFT-E564J-000 | RESISTOR-CARBON FILM 560Kohm 1/5W 5% T |
| R126 | RCFT-E564J-000 | RESISTOR-CARBON FILM 560Kohm 1/5W 5% T |
| R123 | RCFT-E751J-000 | RESISTOR-CARBON FILM 750ohm 1/5W 5% T |
| R124 | RCFT-E751J-000 | RESISTOR-CARBON FILM 750ohm 1/5W 5% T |
| R231 | RCFT-E823J-000 | RESISTOR-CARBON FILM 82Kohm 1/5W 5% T |
| R245 | RCFT-E823J-000 | RESISTOR-CARBON FILM 82Kohm 1/5W 5% T |
| R246 | RCFT-E823J-000 | RESISTOR-CARBON FILM 82Kohm 1/5W 5% T |
| R237 | RCFT-F4R7J-010 | RESISTOR-CARBON FILM 4.7ohm 1/4W 5% T |
| R238 | RCFT-F4R7J-010 | RESISTOR-CARBON FILM 4.7ohm 1/4W 5% T |
| R247 | RCFT-F4R7J-010 | RESISTOR-CARBON FILM 4.7ohm 1/4W 5% T |
| R234 | RCFT-G335K-1D0 | RESISTOR-CARBON FILM 3.3Mohm 1/2W ERC12UGK335 |
| R253 | RMOH-H100J-100 | RESISTOR-METAL OXIDE PRO1 1W 10ohm 5% R-SHAP |
| R233 | RMOH-H4R7J-100 | RESISTOR-METAL OXIDE PRO1 1W 4.7ohm J R-SHAPE |
| R241 | RMOH-H4R7J-100 | RESISTOR-METAL OXIDE PRO1 1W 4.7ohm J R-SHAPE |
| R242 | RMOH-H4R7J-100 | RESISTOR-METAL OXIDE PRO1 1W 4.7ohm J R-SHAPE |
| R249 | RMOH-J100J-040 | RESISTOR-METAL OXIDE 10ohm 2W 5% H |
| R250 | RMOH-J100J-040 | RESISTOR-METAL OXIDE 10ohm 2W 5% H |
| R251 | RMOH-J100J-040 | RESISTOR-METAL OXIDE 10ohm 2W 5% H |
| R252 | RMOH-J100J-040 | RESISTOR-METAL OXIDE 10ohm 2W 5% H |
| A0101 | SKAO-00190-C50 | AC OUTLET S2-764T-214 |
| JK105 | SKPH-00520-360 | MINIATURE JACK HSJ1002-01-1020 |
| JK101 | SKRC-00290-020 | SOCKET-RCA JK0200440N 2P |
| JK102 | SKRC-00420-061 | SOCKET-RCA JK0600460N |
| JK103 | SKRC-00420-061 | SOCKET-RCA JK0600460N |
| JK104 | SKRC-00760-060 | SOCKET-RCA JK0600467N |
| TE101 | TESP-00230-08S | TERMINAL SPEAKER SH0810360P |
| Q102 | TRTA-0012Y-SD0 | TRANSISTOR P-H FREQ KTA1273-Y TO92L |
| Q106 | TRTA-00940-SD0 | TRANSISTOR P-H FREQ KRA107M W/RESIST TO92M |
| Q109 | TRTA-00940-SD0 | TRANSISTOR P-H FREQ KRA107M W/RESIST TO92M |
| | TRTC-01700-SD0 | TRANSISTOR N-H FREQ KRC107M W/RESIST TO92M |
| Q101 | TRTD-00200-SD0 | TRANSISTOR N-L FREQ KTD-1302 TO92 |

| Ref. No. | Part No. | Description | | | | |
|------------------------|----------------|----------------------|----------|---------------|------|------|
| BLOCK MAIN PCB | | | | | | |
| Q103 | TRTD-00200-SD0 | TRANSISTOR N-L FREQ | KTD-1302 | | | TO92 |
| Q104 | TRTD-00200-SD0 | TRANSISTOR N-L FREQ | KTD-1302 | | | TO92 |
| Q107 | TRTD-00200-SD0 | TRANSISTOR N-L FREQ | KTD-1302 | | | TO92 |
| Q108 | TRTD-00200-SD0 | TRANSISTOR N-L FREQ | KTD-1302 | | | TO92 |
| Q111 | TRTD-00200-SD0 | TRANSISTOR N-L FREQ | KTD-1302 | | | TO92 |
| BLOCK FRONT PCB | | | | | | |
| C302 | CCAT-J104Z-AAF | CAPACITOR CERAMIC | 0.1uF | Z 50V | F T | |
| C305 | CCAT-J104Z-AAF | CAPACITOR CERAMIC | 0.1uF | Z 50V | F T | |
| C306 | CCAT-J104Z-AAF | CAPACITOR CERAMIC | 0.1uF | Z 50V | F T | |
| C308 | CCAT-J104Z-AAF | CAPACITOR CERAMIC | 0.1uF | Z 50V | F T | |
| C314 | CCAT-J104Z-AAF | CAPACITOR CERAMIC | 0.1uF | Z 50V | F T | |
| C315 | CCAT-J104Z-AAF | CAPACITOR CERAMIC | 0.1uF | Z 50V | F T | |
| C503 | CCAT-J330J-AAZ | CAPACITOR CERAMIC | 33PF | J 50V | SL T | |
| C504 | CCAT-J330J-AAZ | CAPACITOR CERAMIC | 33PF | J 50V | SL T | |
| C317 | CCAT-J470J-AAZ | CAPACITOR CERAMIC | 47PF | J 50V | SL T | |
| C501 | CCAT-J470J-AAZ | CAPACITOR CERAMIC | 47PF | J 50V | SL T | |
| C502 | CCAT-J470J-AAZ | CAPACITOR CERAMIC | 47PF | J 50V | SL T | |
| C311 | CCAT-J473Z-AAF | CAPACITOR CERAMIC | 0.047uF | Z 50V | F T | |
| C312 | CCAT-J473Z-AAF | CAPACITOR CERAMIC | 0.047uF | Z 50V | F T | |
| C307 | CCCT-J103Z-ODF | CAPACITOR CERAMIC | 0.01uF | Z 50V | F T | |
| C413 | CCTT-J120J-0BC | CAPACITOR CERAMIC | 12PF | J 50V | CH T | |
| C414 | CCTT-J120J-0BC | CAPACITOR CERAMIC | 12PF | J 50V | CH T | |
| C419 | CCTT-J470J-0DC | CAPACITOR CERAMIC | 47PF | J 50V | CH T | |
| C420 | CCTT-J470J-0DC | CAPACITOR CERAMIC | 47PF | J 50V | CH T | |
| C403 | CCTT-J680J-0FC | CAPACITOR CERAMIC | 68PF | J 50V | CH T | |
| C404 | CCTT-J680J-0FC | CAPACITOR CERAMIC | 68PF | J 50V | CH T | |
| C409 | CCTT-J681J-0BZ | CAPACITOR CERAMIC | 680PF | J 50V | SL T | |
| C410 | CCTT-J681J-0BZ | CAPACITOR CERAMIC | 680PF | J 50V | SL T | |
| C411 | CEET-C471M-FI1 | CAPACITOR E/ALUMINUM | 470uF | M 6.3V 8x11.5 | U T | |
| C412 | CEET-C471M-FI1 | CAPACITOR E/ALUMINUM | 470uF | M 6.3V 8x11.5 | U T | |
| C428 | CEET-C471M-FI1 | CAPACITOR E/ALUMINUM | 470uF | M 6.3V 8x11.5 | U T | |
| C401 | CEET-F220M-C10 | CAPACITOR E/ALUMINUM | 22uF | M 25V 5x11 | T | |
| C402 | CEET-F220M-C10 | CAPACITOR E/ALUMINUM | 22uF | M 25V 5x11 | T | |
| C407 | CEET-F220M-C10 | CAPACITOR E/ALUMINUM | 22uF | M 25V 5x11 | T | |
| C408 | CEET-F220M-C10 | CAPACITOR E/ALUMINUM | 22uF | M 25V 5x11 | T | |
| C405 | CEET-F330M-C10 | CAPACITOR E/ALUMINUM | 33uF | M 25V 5x11 | T | |
| C406 | CEET-F330M-C10 | CAPACITOR E/ALUMINUM | 33uF | M 25V 5x11 | T | |
| C304 | CEET-F470M-C10 | CAPACITOR E/ALUMINUM | 47uF | M 25V 5x11 | T | |
| C316 | CEET-F470M-C10 | CAPACITOR E/ALUMINUM | 47uF | M 25V 5x11 | T | |
| C509 | CEET-F470M-C10 | CAPACITOR E/ALUMINUM | 47uF | M 25V 5x11 | T | |
| C510 | CEET-F470M-C10 | CAPACITOR E/ALUMINUM | 47uF | M 25V 5x11 | T | |
| C303 | CEET-JR10M-C10 | CAPACITOR E/ALUMINUM | 0.1uF | M 50V 5x11 | T | |
| C310 | CEET-J1R0M-C10 | CAPACITOR E/ALUMINUM | 1.0uF | M 50V 5x11 | T | |
| C427 | CEET-J1R0M-C10 | CAPACITOR E/ALUMINUM | 1.0uF | M 50V 5x11 | T | |
| C309 | CEET-J100M-C10 | CAPACITOR E/ALUMINUM | 10uF | M 50V 5x11 | T | |
| C421 | CEET-J100M-C10 | CAPACITOR E/ALUMINUM | 10uF | M 50V 5x11 | T | |
| C422 | CEET-J100M-C10 | CAPACITOR E/ALUMINUM | 10uF | M 50V 5x11 | T | |
| C425 | CEET-J100M-C10 | CAPACITOR E/ALUMINUM | 10uF | M 50V 5x11 | T | |
| C426 | CEET-J100M-C10 | CAPACITOR E/ALUMINUM | 10uF | M 50V 5x11 | T | |
| C505 | CEET-J100M-C10 | CAPACITOR E/ALUMINUM | 10uF | M 50V 5x11 | T | |

| Ref. No. | Part No. | Description |
|------------------------|----------------|--|
| BLOCK FRONT PCB | | |
| C506 | CEET-J100M-C10 | CAPACITOR E/ALUMINUM 10uF M 50V 5x11 T |
| C507 | CEET-J100M-C10 | CAPACITOR E/ALUMINUM 10uF M 50V 5x11 T |
| C508 | CEET-J100M-C10 | CAPACITOR E/ALUMINUM 10uF M 50V 5x11 T |
| C423 | CEET-J4R7M-C10 | CAPACITOR E/ALUMINUM 4.7uF M 50V 5x11 T |
| C424 | CEET-J4R7M-C10 | CAPACITOR E/ALUMINUM 4.7uF M 50V 5x11 T |
| C313 | CEET-J470M-D10 | CAPACITOR E/ALUMINUM 47uF M 50V 6.3x11 T |
| C415 | CEET-L331M-D11 | CAPACITOR E/ALUMINUM 330uF M 63V 10x20 SHL T |
| C416 | CEET-L331M-D11 | CAPACITOR E/ALUMINUM 330uF M 63V 10x20 SHL T |
| C417 | CEET-L331M-D11 | CAPACITOR E/ALUMINUM 330uF M 63V 10x20 SHL T |
| C418 | CEET-L331M-D11 | CAPACITOR E/ALUMINUM 330uF M 63V 10x20 SHL T |
| C301 | CEGT-B104J-OJ0 | CAPACITOR E/DO LAYER 0.1F J 5.5V SCDA5R5104A T |
| C511 | CFMT-N183J-EK0 | CAPACITOR F/POLYESTR 0.018uF J 100V 7.3x13 T |
| C512 | CFMT-N183J-EK0 | CAPACITOR F/POLYESTR 0.018uF J 100V 7.3x13 T |
| C517 | CFMT-N183J-EK0 | CAPACITOR F/POLYESTR 0.018uF J 100V 7.3x13 T |
| C518 | CFMT-N183J-EK0 | CAPACITOR F/POLYESTR 0.018uF J 100V 7.3x13 T |
| C515 | CFMT-N392J-DJ0 | CAPACITOR F/POLYESTR 0.0039uF J 100V 5.8x12 T |
| C516 | CFMT-N392J-DJ0 | CAPACITOR F/POLYESTR 0.0039uF J 100V 5.8x12 T |
| C513 | CFMT-N823J-IK0 | CAPACITOR F/POLYESTR 0.082uF J 100V 10.6x14 T |
| C514 | CFMT-N823J-IK0 | CAPACITOR F/POLYESTR 0.082uF J 100V 10.6x14 T |
| D301 | DDTS-00070-SO0 | DIODE-SI 1SS133 (40V 0.11A) DO-40 T |
| D302 | DDTS-00070-SO0 | DIODE-SI 1SS133 (40V 0.11A) DO-40 T |
| D303 | DDTS-00070-SO0 | DIODE-SI 1SS133 (40V 0.11A) DO-40 T |
| D304 | DDTS-00070-SO0 | DIODE-SI 1SS133 (40V 0.11A) DO-40 T |
| D306 | DDTS-00070-SO0 | DIODE-SI 1SS133 (40V 0.11A) DO-40 T |
| D307 | DDTS-00070-SO0 | DIODE-SI 1SS133 (40V 0.11A) DO-40 T |
| D308 | DDTS-00070-SO0 | DIODE-SI 1SS133 (40V 0.11A) DO-40 T |
| D309 | DDTS-00070-SO0 | DIODE-SI 1SS133 (40V 0.11A) DO-40 T |
| D310 | DDTS-00070-SO0 | DIODE-SI 1SS133 (40V 0.11A) DO-40 T |
| D311 | DDTS-00070-SO0 | DIODE-SI 1SS133 (40V 0.11A) DO-40 T |
| D312 | DDTS-00070-SO0 | DIODE-SI 1SS133 (40V 0.11A) DO-40 T |
| D401 | DDTS-00070-SO0 | DIODE-SI 1SS133 (40V 0.11A) DO-40 T |
| D402 | DDTS-00070-SO0 | DIODE-SI 1SS133 (40V 0.11A) DO-40 T |
| D403 | DDTS-00070-SO0 | DIODE-SI 1SS133 (40V 0.11A) DO-40 T |
| D404 | DDTS-00070-SO0 | DIODE-SI 1SS133 (40V 0.11A) DO-40 T |
| D405 | DDTS-00070-SO0 | DIODE-SI 1SS133 (40V 0.11A) DO-40 T |
| D305 | DDTZ-G075B-SO0 | DIODE ZENER MTZ7.5B 7.07-7.45 DO40 T |
| D406 | DDTZ-G091B-SO0 | DIODE ZENER MTZ9.1B 9.01 DO40 T |
| FL301 | DPFL-00780-000 | VFD HNA-16LL15 |
| LD802 | DPLE-00210-YG0 | DISPLAY-LED SM3511 |
| LD301 | DPLE-00211-GG0 | DISPLAY-LED SM3511(F2T) |
| LD302 | DPLE-00211-GG0 | DISPLAY-LED SM3511(F2T) |
| LD303 | DPLE-00211-GG0 | DISPLAY-LED SM3511(F2T) |
| LD304 | DPLE-00211-GG0 | DISPLAY-LED SM3511(F2T) |
| LD305 | DPLE-00211-GG0 | DISPLAY-LED SM3511(F2T) |
| LD306 | DPLE-00211-GG0 | DISPLAY-LED SM3511(F2T) |
| LD801 | DPLE-00280-RG0 | DISPLAY-LED SAM5270 RED/GRN |
| IC304 | ICCM-01500-SB0 | IC MEMORY LSI BR24C04-W DIP8 |
| IC703 | ICHY-00370-U80 | IC REMOTE RECEIVER HI-M602H0 |
| IC301 | ICMP-03870-S20 | IC (U-COM) UPD780204GF-084-3BA |
| IC303 | ICOP-00210-SD0 | IC RESET KIA7042P/F 4.2V TO-92 |
| IC501 | ICOP-03150-SG0 | IC OP AMP NJM2068M SOP8 |

| Ref. No. | Part No. | Description | |
|------------------------|----------------|----------------------|----------------------|
| BLOCK FRONT PCB | | | |
| L302 | KIBK-00190-E40 | COIL-AUDIO CHOCK | 0.7uH COIL-CHOCK |
| L401 | KIBK-00190-E40 | COIL-AUDIO CHOCK | 0.7uH COIL-CHOCK |
| CN402 | KNCW-00140-2TM | CONNECTOR-WAFER | 5267-02A 2.5mm MILK |
| CN401 | KNCW-00140-3TM | CONNECTOR-WAFER | 5267-03A 2.5mm MILK |
| CN302 | KNCW-00160-5S9 | CONNECTOR-WAFER | 53015-0510 2mm-WHT |
| CN301 | KNCW-00823-KS9 | CONNECTOR WAFER | 6216-20PRA |
| CN801 | KNCW-00990-2T9 | CONNECTOR-WAFER | JE202A-1T-02 |
| Z301 | KTRE-00171-042 | RESONATOR | CST4.19MGW-TF01 |
| | MEAC-08212-004 | RADIATOR | |
| | MRAG-13830-004 | CUSHION-FL | EVA T=5.0 |
| | MRAG-13840-004 | CUSHION-REMOTE | EVA T=11.0 |
| | PCSR-05400-11B | PCB-SINGLE | A1R-540 330x247x1.6t |
| R319 | RCFT-E100J-000 | RESISTOR-CARBON FILM | 10ohm 1/5W 5% T |
| R346 | RCFT-E100J-000 | RESISTOR-CARBON FILM | 10ohm 1/5W 5% T |
| R317 | RCFT-E101J-000 | RESISTOR-CARBON FILM | 100ohm 1/5W 5% T |
| R318 | RCFT-E101J-000 | RESISTOR-CARBON FILM | 100ohm 1/5W 5% T |
| R495 | RCFT-E102J-000 | RESISTOR-CARBON FILM | 1Kohm 1/5W 5% T |
| R304 | RCFT-E103J-000 | RESISTOR-CARBON FILM | 10Kohm 1/5W 5% T |
| R345 | RCFT-E103J-000 | RESISTOR-CARBON FILM | 10Kohm 1/5W 5% T |
| R405 | RCFT-E103J-000 | RESISTOR-CARBON FILM | 10Kohm 1/5W 5% T |
| R406 | RCFT-E103J-000 | RESISTOR-CARBON FILM | 10Kohm 1/5W 5% T |
| R491 | RCFT-E103J-000 | RESISTOR-CARBON FILM | 10Kohm 1/5W 5% T |
| R302 | RCFT-E104J-000 | RESISTOR-CARBON FILM | 100Kohm 1/5W 5% T |
| R305 | RCFT-E104J-000 | RESISTOR-CARBON FILM | 100Kohm 1/5W 5% T |
| R337 | RCFT-E104J-000 | RESISTOR-CARBON FILM | 100Kohm 1/5W 5% T |
| R338 | RCFT-E104J-000 | RESISTOR-CARBON FILM | 100Kohm 1/5W 5% T |
| R339 | RCFT-E104J-000 | RESISTOR-CARBON FILM | 100Kohm 1/5W 5% T |
| R340 | RCFT-E104J-000 | RESISTOR-CARBON FILM | 100Kohm 1/5W 5% T |
| R341 | RCFT-E104J-000 | RESISTOR-CARBON FILM | 100Kohm 1/5W 5% T |
| R342 | RCFT-E104J-000 | RESISTOR-CARBON FILM | 100Kohm 1/5W 5% T |
| R343 | RCFT-E104J-000 | RESISTOR-CARBON FILM | 100Kohm 1/5W 5% T |
| R344 | RCFT-E104J-000 | RESISTOR-CARBON FILM | 100Kohm 1/5W 5% T |
| R488 | RCFT-E104J-000 | RESISTOR-CARBON FILM | 100Kohm 1/5W 5% T |
| R501 | RCFT-E104J-000 | RESISTOR-CARBON FILM | 100Kohm 1/5W 5% T |
| R502 | RCFT-E104J-000 | RESISTOR-CARBON FILM | 100Kohm 1/5W 5% T |
| R511 | RCFT-E104J-000 | RESISTOR-CARBON FILM | 100Kohm 1/5W 5% T |
| R512 | RCFT-E104J-000 | RESISTOR-CARBON FILM | 100Kohm 1/5W 5% T |
| R306 | RCFT-E105J-000 | RESISTOR-CARBON FILM | 1Mohm 1/5W 5% T |
| R503 | RCFT-E105J-000 | RESISTOR-CARBON FILM | 1Mohm 1/5W 5% T |
| R504 | RCFT-E105J-000 | RESISTOR-CARBON FILM | 1Mohm 1/5W 5% T |
| R455 | RCFT-E122J-000 | RESISTOR-CARBON FILM | 1.2Kohm 1/5W 5% T |
| R456 | RCFT-E122J-000 | RESISTOR-CARBON FILM | 1.2Kohm 1/5W 5% T |
| R415 | RCFT-E150J-000 | RESISTOR-CARBON FILM | 15ohm 1/5W 5% T |
| R416 | RCFT-E150J-000 | RESISTOR-CARBON FILM | 15ohm 1/5W 5% T |
| R417 | RCFT-E150J-000 | RESISTOR-CARBON FILM | 15ohm 1/5W 5% T |
| R418 | RCFT-E150J-000 | RESISTOR-CARBON FILM | 15ohm 1/5W 5% T |
| R407 | RCFT-E151J-000 | RESISTOR-CARBON FILM | 150ohm 1/5W 5% T |
| R408 | RCFT-E151J-000 | RESISTOR-CARBON FILM | 150ohm 1/5W 5% T |
| R425 | RCFT-E152J-000 | RESISTOR-CARBON FILM | 1.5Kohm 1/5W 5% T |
| R426 | RCFT-E152J-000 | RESISTOR-CARBON FILM | 1.5Kohm 1/5W 5% T |
| R471 | RCFT-E152J-000 | RESISTOR-CARBON FILM | 1.5Kohm 1/5W 5% T |

| Ref. No. | Part No. | Description |
|------------------------|----------------|--|
| BLOCK FRONT PCB | | |
| R472 | RCFT-E152J-000 | RESISTOR-CARBON FILM 1.5Kohm 1/5W 5% T |
| R490 | RCFT-E152J-000 | RESISTOR-CARBON FILM 1.5Kohm 1/5W 5% T |
| R494 | RCFT-E153J-000 | RESISTOR-CARBON FILM 15Kohm 1/5W 5% T |
| R320 | RCFT-E181J-000 | RESISTOR-CARBON FILM 180ohm 1/5W 5% T |
| R321 | RCFT-E181J-000 | RESISTOR-CARBON FILM 180ohm 1/5W 5% T |
| R322 | RCFT-E181J-000 | RESISTOR-CARBON FILM 180ohm 1/5W 5% T |
| R323 | RCFT-E181J-000 | RESISTOR-CARBON FILM 180ohm 1/5W 5% T |
| R324 | RCFT-E181J-000 | RESISTOR-CARBON FILM 180ohm 1/5W 5% T |
| R325 | RCFT-E181J-000 | RESISTOR-CARBON FILM 180ohm 1/5W 5% T |
| R469 | RCFT-E182J-000 | RESISTOR-CARBON FILM 1.8Kohm 1/5W 5% T |
| R470 | RCFT-E182J-000 | RESISTOR-CARBON FILM 1.8Kohm 1/5W 5% T |
| R507 | RCFT-E203J-000 | RESISTOR-CARBON FILM 20Kohm 1/5W 5% T |
| R508 | RCFT-E203J-000 | RESISTOR-CARBON FILM 20Kohm 1/5W 5% T |
| R519 | RCFT-E221J-000 | RESISTOR-CARBON FILM 220ohm 1/5W 5% T |
| R520 | RCFT-E221J-000 | RESISTOR-CARBON FILM 220ohm 1/5W 5% T |
| R513 | RCFT-E222J-000 | RESISTOR-CARBON FILM 2.2Kohm 1/5W 5% T |
| R514 | RCFT-E222J-000 | RESISTOR-CARBON FILM 2.2Kohm 1/5W 5% T |
| R517 | RCFT-E222J-000 | RESISTOR-CARBON FILM 2.2Kohm 1/5W 5% T |
| R518 | RCFT-E222J-000 | RESISTOR-CARBON FILM 2.2Kohm 1/5W 5% T |
| R301 | RCFT-E223J-000 | RESISTOR-CARBON FILM 22Kohm 1/5W 5% T |
| R303 | RCFT-E223J-000 | RESISTOR-CARBON FILM 22Kohm 1/5W 5% T |
| R334 | RCFT-E223J-000 | RESISTOR-CARBON FILM 22Kohm 1/5W 5% T |
| R335 | RCFT-E223J-000 | RESISTOR-CARBON FILM 22Kohm 1/5W 5% T |
| R336 | RCFT-E223J-000 | RESISTOR-CARBON FILM 22Kohm 1/5W 5% T |
| R451 | RCFT-E223J-000 | RESISTOR-CARBON FILM 22Kohm 1/5W 5% T |
| R452 | RCFT-E223J-000 | RESISTOR-CARBON FILM 22Kohm 1/5W 5% T |
| R453 | RCFT-E223J-000 | RESISTOR-CARBON FILM 22Kohm 1/5W 5% T |
| R454 | RCFT-E223J-000 | RESISTOR-CARBON FILM 22Kohm 1/5W 5% T |
| R493 | RCFT-E223J-000 | RESISTOR-CARBON FILM 22Kohm 1/5W 5% T |
| R477 | RCFT-E243J-000 | RESISTOR-CARBON FILM 24Kohm 1/5W 5% T |
| R478 | RCFT-E243J-000 | RESISTOR-CARBON FILM 24Kohm 1/5W 5% T |
| R313 | RCFT-E271J-000 | RESISTOR-CARBON FILM 270ohm 1/5W 5% T |
| R315 | RCFT-E271J-000 | RESISTOR-CARBON FILM 270ohm 1/5W 5% T |
| R463 | RCFT-E3R3J-000 | RESISTOR-CARBON FILM 3.3ohm 1/5W 5% T |
| R464 | RCFT-E3R3J-000 | RESISTOR-CARBON FILM 3.3ohm 1/5W 5% T |
| R465 | RCFT-E3R3J-000 | RESISTOR-CARBON FILM 3.3ohm 1/5W 5% T |
| R466 | RCFT-E3R3J-000 | RESISTOR-CARBON FILM 3.3ohm 1/5W 5% T |
| R401 | RCFT-E331J-000 | RESISTOR-CARBON FILM 330ohm 1/5W 5% T |
| R402 | RCFT-E331J-000 | RESISTOR-CARBON FILM 330ohm 1/5W 5% T |
| R489 | RCFT-E332J-000 | RESISTOR-CARBON FILM 3.3Kohm 1/5W 5% T |
| R316 | RCFT-E333J-000 | RESISTOR-CARBON FILM 33Kohm 1/5W 5% T |
| R403 | RCFT-E333J-000 | RESISTOR-CARBON FILM 33Kohm 1/5W 5% T |
| R404 | RCFT-E333J-000 | RESISTOR-CARBON FILM 33Kohm 1/5W 5% T |
| R427 | RCFT-E333J-000 | RESISTOR-CARBON FILM 33Kohm 1/5W 5% T |
| R428 | RCFT-E333J-000 | RESISTOR-CARBON FILM 33Kohm 1/5W 5% T |
| R492 | RCFT-E333J-000 | RESISTOR-CARBON FILM 33Kohm 1/5W 5% T |
| R496 | RCFT-E333J-000 | RESISTOR-CARBON FILM 33Kohm 1/5W 5% T |
| R497 | RCFT-E333J-000 | RESISTOR-CARBON FILM 33Kohm 1/5W 5% T |
| R479 | RCFT-E390J-000 | RESISTOR-CARBON FILM 39ohm 1/5W 5% T |
| R480 | RCFT-E390J-000 | RESISTOR-CARBON FILM 39ohm 1/5W 5% T |
| R481 | RCFT-E390J-000 | RESISTOR-CARBON FILM 39ohm 1/5W 5% T |

| Ref. No. | Part No. | Description |
|------------------------|----------------|--|
| BLOCK FRONT PCB | | |
| R482 | RCFT-E390J-000 | RESISTOR-CARBON FILM 39ohm 1/5W 5% T |
| R483 | RCFT-E390J-000 | RESISTOR-CARBON FILM 39ohm 1/5W 5% T |
| R484 | RCFT-E390J-000 | RESISTOR-CARBON FILM 39ohm 1/5W 5% T |
| R485 | RCFT-E390J-000 | RESISTOR-CARBON FILM 39ohm 1/5W 5% T |
| R486 | RCFT-E390J-000 | RESISTOR-CARBON FILM 39ohm 1/5W 5% T |
| R509 | RCFT-E432J-000 | RESISTOR-CARBON FILM 4.3Kohm 1/5W 5% T |
| R510 | RCFT-E432J-000 | RESISTOR-CARBON FILM 4.3Kohm 1/5W 5% T |
| R505 | RCFT-E471J-000 | RESISTOR-CARBON FILM 470ohm 1/5W 5% T |
| R506 | RCFT-E471J-000 | RESISTOR-CARBON FILM 470ohm 1/5W 5% T |
| R309 | RCFT-E472J-000 | RESISTOR-CARBON FILM 4.7Kohm 1/5W 5% T |
| R310 | RCFT-E472J-000 | RESISTOR-CARBON FILM 4.7Kohm 1/5W 5% T |
| R311 | RCFT-E472J-000 | RESISTOR-CARBON FILM 4.7Kohm 1/5W 5% T |
| R312 | RCFT-E472J-000 | RESISTOR-CARBON FILM 4.7Kohm 1/5W 5% T |
| R441 | RCFT-E472J-000 | RESISTOR-CARBON FILM 4.7Kohm 1/5W 5% T |
| R442 | RCFT-E472J-000 | RESISTOR-CARBON FILM 4.7Kohm 1/5W 5% T |
| R307 | RCFT-E473J-000 | RESISTOR-CARBON FILM 47Kohm 1/5W 5% T |
| R326 | RCFT-E473J-000 | RESISTOR-CARBON FILM 47Kohm 1/5W 5% T |
| R327 | RCFT-E473J-000 | RESISTOR-CARBON FILM 47Kohm 1/5W 5% T |
| R328 | RCFT-E473J-000 | RESISTOR-CARBON FILM 47Kohm 1/5W 5% T |
| R329 | RCFT-E473J-000 | RESISTOR-CARBON FILM 47Kohm 1/5W 5% T |
| R331 | RCFT-E473J-000 | RESISTOR-CARBON FILM 47Kohm 1/5W 5% T |
| R333 | RCFT-E473J-000 | RESISTOR-CARBON FILM 47Kohm 1/5W 5% T |
| R314 | RCFT-E561J-000 | RESISTOR-CARBON FILM 560ohm 1/5W 5% T |
| R429 | RCFT-E561J-000 | RESISTOR-CARBON FILM 560ohm 1/5W 5% T |
| R430 | RCFT-E561J-000 | RESISTOR-CARBON FILM 560ohm 1/5W 5% T |
| R431 | RCFT-E561J-000 | RESISTOR-CARBON FILM 560ohm 1/5W 5% T |
| R432 | RCFT-E561J-000 | RESISTOR-CARBON FILM 560ohm 1/5W 5% T |
| R433 | RCFT-E561J-000 | RESISTOR-CARBON FILM 560ohm 1/5W 5% T |
| R434 | RCFT-E561J-000 | RESISTOR-CARBON FILM 560ohm 1/5W 5% T |
| R435 | RCFT-E561J-000 | RESISTOR-CARBON FILM 560ohm 1/5W 5% T |
| R436 | RCFT-E561J-000 | RESISTOR-CARBON FILM 560ohm 1/5W 5% T |
| R437 | RCFT-E561J-000 | RESISTOR-CARBON FILM 560ohm 1/5W 5% T |
| R438 | RCFT-E561J-000 | RESISTOR-CARBON FILM 560ohm 1/5W 5% T |
| R439 | RCFT-E561J-000 | RESISTOR-CARBON FILM 560ohm 1/5W 5% T |
| R440 | RCFT-E561J-000 | RESISTOR-CARBON FILM 560ohm 1/5W 5% T |
| R473 | RCFT-E561J-000 | RESISTOR-CARBON FILM 560ohm 1/5W 5% T |
| R474 | RCFT-E561J-000 | RESISTOR-CARBON FILM 560ohm 1/5W 5% T |
| R515 | RCFT-E561J-000 | RESISTOR-CARBON FILM 560ohm 1/5W 5% T |
| R516 | RCFT-E561J-000 | RESISTOR-CARBON FILM 560ohm 1/5W 5% T |
| R492 | RCFT-E563J-000 | RESISTOR-CARBON FILM 56Kohm 1/5W 5% T |
| R409 | RCFT-E680J-000 | RESISTOR-CARBON FILM 68ohm 1/5W 5% T |
| R410 | RCFT-E680J-000 | RESISTOR-CARBON FILM 68ohm 1/5W 5% T |
| R419 | RCFT-E681J-000 | RESISTOR-CARBON FILM 680ohm 1/5W 5% T |
| R420 | RCFT-E681J-000 | RESISTOR-CARBON FILM 680ohm 1/5W 5% T |
| R475 | RCFT-E682J-000 | RESISTOR-CARBON FILM 6.8Kohm 1/5W 5% T |
| R476 | RCFT-E682J-000 | RESISTOR-CARBON FILM 6.8Kohm 1/5W 5% T |
| R487 | RCFT-E683J-000 | RESISTOR-CARBON FILM 68Kohm 1/5W 5% T |
| R421 | RCFT-E751J-000 | RESISTOR-CARBON FILM 750ohm 1/5W 5% T |
| R422 | RCFT-E751J-000 | RESISTOR-CARBON FILM 750ohm 1/5W 5% T |
| R423 | RCFT-E751J-000 | RESISTOR-CARBON FILM 750ohm 1/5W 5% T |
| R424 | RCFT-E751J-000 | RESISTOR-CARBON FILM 750ohm 1/5W 5% T |

| Ref. No. | Part No. | Description |
|------------------------|----------------|--|
| BLOCK FRONT PCB | | |
| R443 | RCFT-E820J-000 | RESISTOR-CARBON FILM 82ohm 1/5W 5% T |
| R444 | RCFT-E820J-000 | RESISTOR-CARBON FILM 82ohm 1/5W 5% T |
| R445 | RCFT-E820J-000 | RESISTOR-CARBON FILM 82ohm 1/5W 5% T |
| R446 | RCFT-E820J-000 | RESISTOR-CARBON FILM 82ohm 1/5W 5% T |
| R461 | RCFT-E820J-000 | RESISTOR-CARBON FILM 82ohm 1/5W 5% T |
| R462 | RCFT-E820J-000 | RESISTOR-CARBON FILM 82ohm 1/5W 5% T |
| R457 | RCFT-E821J-000 | RESISTOR-CARBON FILM 820ohm 1/5W 5% T |
| R458 | RCFT-E821J-000 | RESISTOR-CARBON FILM 820ohm 1/5W 5% T |
| R459 | RCFT-E821J-000 | RESISTOR-CARBON FILM 820ohm 1/5W 5% T |
| R460 | RCFT-E821J-000 | RESISTOR-CARBON FILM 820ohm 1/5W 5% T |
| | RJWT-00000-AA0 | RESISTOR-JUMPER WIRE 60mm-TX123 F 1 |
| R467 | RMFT-LR27J-0J0 | RESISTOR-METAL PLATE 0.27ohm 5W 5% MPR |
| R468 | RMFT-LR27J-0J0 | RESISTOR-METAL PLATE 0.27ohm 5W 5% MPR |
| R447 | RMOH-H470J-100 | RESISTOR-METAL OXIDE PRO1 1W 470hm 5% R-SHAF |
| R448 | RMOH-H470J-100 | RESISTOR-METAL OXIDE PRO1 1W 470hm 5% R-SHAF |
| R449 | RMOH-H470J-100 | RESISTOR-METAL OXIDE PRO1 1W 470hm 5% R-SHAF |
| R450 | RMOH-H470J-100 | RESISTOR-METAL OXIDE PRO1 1W 470hm 5% R-SHAF |
| R801 | RMOH-J221J-040 | RESISTOR-METAL OXIDE 220ohm 2W 5% H |
| R802 | RMOH-J221J-040 | RESISTOR-METAL OXIDE 220ohm 2W 5% H |
| SW801 | SWPU-00591-059 | SWITCH-PUSH SDDL13300 |
| SW301 | SWTA-00220-060 | SWITCH-TACT THVV 502G AA 12V 50mA |
| SW302 | SWTA-00220-060 | SWITCH-TACT THVV 502G AA 12V 50mA |
| SW303 | SWTA-00220-060 | SWITCH-TACT THVV 502G AA 12V 50mA |
| SW304 | SWTA-00220-060 | SWITCH-TACT THVV 502G AA 12V 50mA |
| SW305 | SWTA-00220-060 | SWITCH-TACT THVV 502G AA 12V 50mA |
| SW306 | SWTA-00220-060 | SWITCH-TACT THVV 502G AA 12V 50mA |
| SW307 | SWTA-00220-060 | SWITCH-TACT THVV 502G AA 12V 50mA |
| SW308 | SWTA-00220-060 | SWITCH-TACT THVV 502G AA 12V 50mA |
| SW309 | SWTA-00220-060 | SWITCH-TACT THVV 502G AA 12V 50mA |
| SW310 | SWTA-00220-060 | SWITCH-TACT THVV 502G AA 12V 50mA |
| SW311 | SWTA-00220-060 | SWITCH-TACT THVV 502G AA 12V 50mA |
| SW312 | SWTA-00220-060 | SWITCH-TACT THVV 502G AA 12V 50mA |
| SW313 | SWTA-00220-060 | SWITCH-TACT THVV 502G AA 12V 50mA |
| SW314 | SWTA-00220-060 | SWITCH-TACT THVV 502G AA 12V 50mA |
| SW315 | SWTA-00220-060 | SWITCH-TACT THVV 502G AA 12V 50mA |
| SW316 | SWTA-00220-060 | SWITCH-TACT THVV 502G AA 12V 50mA |
| SW317 | SWTA-00220-060 | SWITCH-TACT THVV 502G AA 12V 50mA |
| SW318 | SWTA-00220-060 | SWITCH-TACT THVV 502G AA 12V 50mA |
| SW802 | SWTA-00220-060 | SWITCH-TACT THVV 502G AA 12V 50mA |
| Q423 | TRSA-01450-SJ0 | TRANSISTOR N-H FREQ 2SA1859A |
| Q424 | TRSA-01450-SJ0 | TRANSISTOR N-H FREQ 2SA1859A |
| Q421 | TRSC-01540-SJ0 | TRANSISTOR N-H FREQ 2SC4883A |
| Q422 | TRSC-01540-SJ0 | TRANSISTOR N-H FREQ 2SC4883A |
| Q401 | TRTA-0011G-SD0 | TRANSISTOR P-H FREQ KTA1268-GR TO92 |
| Q402 | TRTA-0011G-SD0 | TRANSISTOR P-H FREQ KTA1268-GR TO92 |
| Q403 | TRTA-0011G-SD0 | TRANSISTOR P-H FREQ KTA1268-GR TO92 |
| Q404 | TRTA-0011G-SD0 | TRANSISTOR P-H FREQ KTA1268-GR TO92 |
| Q405 | TRTA-0011G-SD0 | TRANSISTOR P-H FREQ KTA1268-GR TO92 |
| Q406 | TRTA-0011G-SD0 | TRANSISTOR P-H FREQ KTA1268-GR TO92 |
| Q407 | TRTA-0011G-SD0 | TRANSISTOR P-H FREQ KTA1268-GR TO92 |
| Q408 | TRTA-0011G-SD0 | TRANSISTOR P-H FREQ KTA1268-GR TO92 |

| Ref. No. | Part No. | Description | | |
|------------------------|----------------|---------------------|----------------------|----------------|
| BLOCK FRONT PCB | | | | |
| Q413 | TRTA-0011G-SD0 | TRANSISTOR P-H FREQ | KTA1268-GR | TO92 |
| Q414 | TRTA-0011G-SD0 | TRANSISTOR P-H FREQ | KTA1268-GR | TO92 |
| Q431 | TRTA-0011G-SD0 | TRANSISTOR P-H FREQ | KTA1268-GR | TO92 |
| Q415 | TRTA-0013Y-SD0 | TRANSISTOR N-H FREQ | KTA1024-Y | |
| Q416 | TRTA-0013Y-SD0 | TRANSISTOR N-H FREQ | KTA1024-Y | |
| Q409 | TRTC-0015G-SD0 | TRANSISTOR N-H FREQ | KTC3200-GR | TO92 |
| Q410 | TRTC-0015G-SD0 | TRANSISTOR N-H FREQ | KTC3200-GR | TO92 |
| Q411 | TRTC-0015G-SD0 | TRANSISTOR N-H FREQ | KTC3200-GR | TO92 |
| Q412 | TRTC-0015G-SD0 | TRANSISTOR N-H FREQ | KTC3200-GR | TO92 |
| Q429 | TRTC-0015G-SD0 | TRANSISTOR N-H FREQ | KTC3200-GR | TO92 |
| Q430 | TRTC-0015G-SD0 | TRANSISTOR N-H FREQ | KTC3200-GR | TO92 |
| Q301 | TRTC-0016G-SD0 | TRANSISTOR N-H FREQ | KTC3198-GR | TO92 |
| Q432 | TRTC-0016G-SD0 | TRANSISTOR N-H FREQ | KTC3198-GR | TO92 |
| Q433 | TRTC-0016G-SD0 | TRANSISTOR N-H FREQ | KTC3198-GR | TO92 |
| Q434 | TRTC-0016G-SD0 | TRANSISTOR N-H FREQ | KTC3198-GR | TO92 |
| Q417 | TRTC-0087Y-SD0 | TRANSISTOR N-H FREQ | KTC3206-Y | TO92L |
| Q418 | TRTC-0087Y-SD0 | TRANSISTOR N-H FREQ | KTC3206-Y | TO92L |
| Q302 | TRTC-01700-SD0 | TRANSISTOR N-H FREQ | KRC107M | W/RESIST TO92M |
| Q303 | TRTC-01700-SD0 | TRANSISTOR N-H FREQ | KRC107M | W/RESIST TO92M |
| Q304 | TRTC-01700-SD0 | TRANSISTOR N-H FREQ | KRC107M | W/RESIST TO92M |
| Q305 | TRTC-01700-SD0 | TRANSISTOR N-H FREQ | KRC107M | W/RESIST TO92M |
| Q306 | TRTC-01700-SD0 | TRANSISTOR N-H FREQ | KRC107M | W/RESIST TO92M |
| Q435 | TRTC-01700-SD0 | TRANSISTOR N-H FREQ | KRC107M | W/RESIST TO92M |
| | UA10-9M412-200 | WIRE-ASS'Y | 1007#20 | WHT-120 10P |
| | UM08-A1033-000 | WIRE-ASS'Y | 1533#28/1007#26-150 | 10P |
| | UM08-41035-000 | WIRE-ASS'Y | 1533#28-180 | 4P |
| | U1T1-0GN20-T10 | WIRE-ASS'Y | HIGH WRAP#22 | BLK 200 |
| | U208-2K815-000 | WIRE-ASS'Y | 20080#28 | RED-150 2P |
| | U245-91327-450 | WIRE-ASS'Y | 1007#18-270 | 2P |
| | U508-4M716-200 | WIRE-ASS'Y | 1007#26 | YEL-160 5P |
| | U710-6M742-200 | WIRE-ASS'Y | 1007#26 | BLU-420 |
| VR503 | VRAE-P049W-104 | VR-ROTARY | RK11K1160106-100KW | |
| VR501 | VRAE-P050C-104 | VR-ROTARY | RK14K1260106-100KCx2 | |
| VR502 | VRAE-P050C-104 | VR-ROTARY | RK14K1260106-100KCx2 | |
| BLOCK TUNER PCB | | | | |
| CF602 | BTCE-00040-107 | FILTER-CERAMIC | SFE10.7MS2-A-TF21 | |
| CF603 | BTCE-00040-107 | FILTER-CERAMIC | SFE10.7MS2-A-TF21 | |
| CF604 | BTCE-00450-045 | FILTER-CERAMIC | AHCFM2-450AL | |
| C707 | CCAT-F103Z-AAF | CAPACITOR CERAMIC | 0.01uF | Z 25V F T |
| C708 | CCAT-F103Z-AAF | CAPACITOR CERAMIC | 0.01uF | Z 25V F T |
| C709 | CCAT-F103Z-AAF | CAPACITOR CERAMIC | 0.01uF | Z 25V F T |
| C710 | CCAT-F103Z-AAF | CAPACITOR CERAMIC | 0.01uF | Z 25V F T |
| C706 | CCAT-F223Z-AAF | CAPACITOR CERAMIC | 0.022uF | Z 25V F T |
| C620 | CCAT-J101K-AAB | CAPACITOR CERAMIC | 100PF | K 50V B T |
| C621 | CCAT-J101K-AAB | CAPACITOR CERAMIC | 100PF | K 50V B T |
| C626 | CCAT-J101K-AAB | CAPACITOR CERAMIC | 100PF | K 50V B T |
| C627 | CCAT-J101K-AAB | CAPACITOR CERAMIC | 100PF | K 50V B T |
| C628 | CCAT-J101K-AAB | CAPACITOR CERAMIC | 100PF | K 50V B T |
| C629 | CCAT-J101K-AAB | CAPACITOR CERAMIC | 100PF | K 50V B T |
| C640 | CCAT-J104Z-AAF | CAPACITOR CERAMIC | 0.1uF | Z 50V F T |

| Ref. No. | Part No. | Description | | | | | | |
|------------------------|----------------|----------------------|---------|--------------|----|---|--|--|
| BLOCK TUNER PCB | | | | | | | | |
| C641 | CCAT-J104Z-AAF | CAPACITOR CERAMIC | 0.1uF | Z 50V | F | T | | |
| C642 | CCAT-J104Z-AAF | CAPACITOR CERAMIC | 0.1uF | Z 50V | F | T | | |
| C803 | CCAT-J104Z-AAF | CAPACITOR CERAMIC | 0.1uF | Z 50V | F | T | | |
| C669 | CCAT-J473Z-AAF | CAPACITOR CERAMIC | 0.047uF | Z 50V | F | T | | |
| C711 | CCAT-J473Z-AAF | CAPACITOR CERAMIC | 0.047uF | Z 50V | F | T | | |
| C703 | CCAT-J560J-AAZ | CAPACITOR CERAMIC | 56PF | J 50V | SL | T | | |
| C704 | CCAT-J560J-AAZ | CAPACITOR CERAMIC | 56PF | J 50V | SL | T | | |
| C652 | CCAT-J561K-AAB | CAPACITOR CERAMIC | 560PF | K 50V | B | T | | |
| C665 | CCAT-J561K-AAB | CAPACITOR CERAMIC | 560PF | K 50V | B | T | | |
| C666 | CCAT-J680J-AAZ | CAPACITOR CERAMIC | 68PF | J 50V | SL | T | | |
| C667 | CCAT-J680J-AAZ | CAPACITOR CERAMIC | 68PF | J 50V | SL | T | | |
| C613 | CCCT-J103Z-0DF | CAPACITOR CERAMIC | 0.01uF | Z 50V | F | T | | |
| C623 | CCCT-J103Z-0DF | CAPACITOR CERAMIC | 0.01uF | Z 50V | F | T | | |
| C801 | CCCT-J222K-0DB | CAPACITOR CERAMIC | 2200PF | K 50V | B | T | | |
| C802 | CCCT-J222K-0DB | CAPACITOR CERAMIC | 2200PF | K 50V | B | T | | |
| C602 | CCCT-J223Z-OFF | CAPACITOR CERAMIC | 0.022uF | Z 50V | F | T | | |
| C605 | CCCT-J223Z-OFF | CAPACITOR CERAMIC | 0.022uF | Z 50V | F | T | | |
| C606 | CCCT-J223Z-OFF | CAPACITOR CERAMIC | 0.022uF | Z 50V | F | T | | |
| C608 | CCCT-J223Z-OFF | CAPACITOR CERAMIC | 0.022uF | Z 50V | F | T | | |
| C609 | CCCT-J223Z-OFF | CAPACITOR CERAMIC | 0.022uF | Z 50V | F | T | | |
| C610 | CCCT-J223Z-OFF | CAPACITOR CERAMIC | 0.022uF | Z 50V | F | T | | |
| C611 | CCCT-J223Z-OFF | CAPACITOR CERAMIC | 0.022uF | Z 50V | F | T | | |
| C614 | CCCT-J223Z-OFF | CAPACITOR CERAMIC | 0.022uF | Z 50V | F | T | | |
| C615 | CCCT-J223Z-OFF | CAPACITOR CERAMIC | 0.022uF | Z 50V | F | T | | |
| C616 | CCCT-J223Z-OFF | CAPACITOR CERAMIC | 0.022uF | Z 50V | F | T | | |
| C636 | CCCT-J223Z-OFF | CAPACITOR CERAMIC | 0.022uF | Z 50V | F | T | | |
| C639 | CCCT-J223Z-OFF | CAPACITOR CERAMIC | 0.022uF | Z 50V | F | T | | |
| C661 | CCCT-J223Z-OFF | CAPACITOR CERAMIC | 0.022uF | Z 50V | F | T | | |
| C603 | CCCT-J473Z-0JF | CAPACITOR CERAMIC | 0.047uF | Z 50V | F | T | | |
| C619 | CCCT-J473Z-0JF | CAPACITOR CERAMIC | 0.047uF | Z 50V | F | T | | |
| C604 | CCTT-J150J-0BC | CAPACITOR CERAMIC | 15PF | J 50V | CH | T | | |
| C625 | CCTT-J300J-0CC | CAPACITOR CERAMIC | 30PF | J 50V | CH | T | | |
| C634 | CCTT-J331J-0FZ | CAPACITOR CERAMIC | 330PF | J 50V | SL | T | | |
| C624 | CCTT-J390J-0DC | CAPACITOR CERAMIC | 39PF | J 50V | CH | T | | |
| C651 | CCTT-J681J-0BZ | CAPACITOR CERAMIC | 680PF | J 50V | SL | T | | |
| C645 | CEET-E101M-DIO | CAPACITOR E/ALUMINUM | 100uF | M 16V 6.3x11 | | T | | |
| C705 | CEET-E101M-DIO | CAPACITOR E/ALUMINUM | 100uF | M 16V 6.3x11 | | T | | |
| C601 | CEET-F470M-CIO | CAPACITOR E/ALUMINUM | 47uF | M 25V 5x11 | | T | | |
| C612 | CEET-F470M-CIO | CAPACITOR E/ALUMINUM | 47uF | M 25V 5x11 | | T | | |
| C618 | CEET-F470M-CIO | CAPACITOR E/ALUMINUM | 47uF | M 25V 5x11 | | T | | |
| C622 | CEET-F470M-CIO | CAPACITOR E/ALUMINUM | 47uF | M 25V 5x11 | | T | | |
| C638 | CEET-F470M-CIO | CAPACITOR E/ALUMINUM | 47uF | M 25V 5x11 | | T | | |
| C701 | CEET-F470M-CIO | CAPACITOR E/ALUMINUM | 47uF | M 25V 5x11 | | T | | |
| C702 | CEET-F470M-CIO | CAPACITOR E/ALUMINUM | 47uF | M 25V 5x11 | | T | | |
| C607 | CEET-G100M-CIO | CAPACITOR E/ALUMINUM | 10uF | M 35V 5x11 | | T | | |
| C647 | CEET-G100M-CIO | CAPACITOR E/ALUMINUM | 10uF | M 35V 5x11 | | T | | |
| C648 | CEET-G100M-CIO | CAPACITOR E/ALUMINUM | 10uF | M 35V 5x11 | | T | | |
| C664 | CEET-G100M-CIO | CAPACITOR E/ALUMINUM | 10uF | M 35V 5x11 | | T | | |
| C663 | CEET-JR22M-CIO | CAPACITOR E/ALUMINUM | 0.22uF | M 50V 5x11 | | T | | |
| C630 | CEET-JR47M-CIO | CAPACITOR E/ALUMINUM | 0.47uF | M 50V 5x11 | | T | | |
| C632 | CEET-J1R0M-CIO | CAPACITOR E/ALUMINUM | 1.0uF | M 50V 5x11 | | T | | |

| Ref. No. | Part No. | Description |
|------------------------|----------------|---|
| BLOCK TUNER PCB | | |
| C644 | CEET-J1R0M-C10 | CAPACITOR E/ALUMINUM 1.0uF M 50V 5x11 T |
| C662 | CEET-J1R0M-C10 | CAPACITOR E/ALUMINUM 1.0uF M 50V 5x11 T |
| C633 | CEET-J3R3M-C10 | CAPACITOR E/ALUMINUM 3.3uF M 50V 5x11 T |
| C617 | CEET-J4R7M-C10 | CAPACITOR E/ALUMINUM 4.7uF M 50V 5x11 T |
| C631 | CEET-J4R7M-C10 | CAPACITOR E/ALUMINUM 4.7uF M 50V 5x11 T |
| C643 | CEET-J4R7M-C10 | CAPACITOR E/ALUMINUM 4.7uF M 50V 5x11 T |
| C650 | CEET-J4R7M-C10 | CAPACITOR E/ALUMINUM 4.7uF M 50V 5x11 T |
| C668 | CEET-J4R7M-C10 | CAPACITOR E/ALUMINUM 4.7uF M 50V 5x11 T |
| C670 | CFMT-N223J-EK0 | CAPACITOR F/POLYESTR 0.022uF J 100V 7.4x13 T |
| C637 | CFMT-N332J-DJ0 | CAPACITOR F/POLYESTR 0.0033uF J 100V 5.8x12 T |
| C646 | CFMT-N393J-FK0 | CAPACITOR F/POLYESTR 0.039uF J 100V 8.5x13. T |
| C671 | CFST-O471J-CJ0 | CAPACITOR F/STYROL 470PF J 125V 5.5x12 T |
| VD601 | DDSV-00120-S10 | DIODE-VVC SVC321SPA-C2 AM8V DO40S |
| VD602 | DDSV-00120-S10 | DIODE-VVC SVC321SPA-C2 AM8V DO40S |
| D601 | DDTS-00070-SO0 | DIODE-SI 1SS133 (40V 0.11A) DO-40 T |
| D801 | DDTS-00070-SO0 | DIODE-SI 1SS133 (40V 0.11A) DO-40 T |
| D802 | DDTS-00070-SO0 | DIODE-SI 1SS133 (40V 0.11A) DO-40 T |
| ZD601 | DDTZ-G051B-SOS | DIODE ZENER MTZJ5.1B 4.94-5.20 DO34 T |
| D701 | DDTZ-G062B-SOS | DIODE ZENER MTZJ6.2B 5.96-6.27 DO34 T |
| IC701 | ICDG-00560-SO0 | IC MOTOR DRIVER BA6208 SIP9 |
| IC603 | ICLN-03610-S10 | IC PLL FM MPX LA3401 DIP22 |
| IC604 | ICLN-03620-S10 | IC AM/FM IF LA1266 DIP24 |
| IC602 | ICLN-03680-S10 | IC PLL LC7218JM SOP-24 |
| T606 | IFFA-00110-E20 | IFT-FM AFA011 7mm-CAN |
| T604 | IFFD-00100-E20 | IFT-FM DET AFD010 7mm-CAN |
| T605 | KIAA-00260-E20 | COIL-AM IFT AAA-026 7MC-K502713N4-KR |
| T603 | KIAO-00460-E20 | COIL-AM OSC AAO046 MW 7mm - CAN |
| T607 | KIAT-00530-E20 | COIL-AM ANT AAT053 MW 7mm - CAN |
| T601 | KIML-A0010-E20 | COIL-FM MPX FILTER AMA001 19KHz 10mm-CAN |
| T602 | KIML-A0010-E20 | COIL-FM MPX FILTER AMA001 19KHz 10mm-CAN |
| CN702 | KNCW-00160-5S9 | CONNECTOR-WAFER 53015-0510 2mm-WHT |
| CN701 | KNCW-00240-AT9 | CONNECTOR-WAFER 53014-10 2.0mm WHT |
| CW701 | KNCW-00240-AT9 | CONNECTOR-WAFER 53014-10 2.0mm WHT |
| CN703 | KNCW-00240-2T9 | CONNECTOR-WAFER 53014-02 2.0mm WHT |
| CW802 | KNCW-00240-2T9 | CONNECTOR-WAFER 53014-02 2.0mm WHT |
| TP601 | KNCW-01490-2T9 | CONNECTOR-WAFER JE115-AT-02P |
| TP602 | KNCW-01490-2T9 | CONNECTOR-WAFER JE115-AT-02P |
| TP603 | KNCW-01490-2T9 | CONNECTOR-WAFER JE115-AT-02P |
| CH602 | KNCW-01510-ES9 | CONNECTOR-WAFER 35237-1410 2M/M 14P |
| X601 | KTAL-00041-072 | CRYSTAL HC-49/U 7.200000MHz |
| CF605 | KTRE-00300-288 | RESONATOR ZTB456F11 |
| R655 | PCSR-01440-31B | PCB-SINGLE A3R-144 247x197x1.6t |
| R613 | RCFT-E101J-000 | RESISTOR-CARBON FILM 100ohm 1/5W 5% T |
| R629 | RCFT-E101J-000 | RESISTOR-CARBON FILM 100ohm 1/5W 5% T |
| R634 | RCFT-E101J-000 | RESISTOR-CARBON FILM 100ohm 1/5W 5% T |
| R639 | RCFT-E101J-000 | RESISTOR-CARBON FILM 100ohm 1/5W 5% T |
| R648 | RCFT-E101J-000 | RESISTOR-CARBON FILM 100ohm 1/5W 5% T |
| R651 | RCFT-E101J-000 | RESISTOR-CARBON FILM 100ohm 1/5W 5% T |
| R673 | RCFT-E101J-000 | RESISTOR-CARBON FILM 100ohm 1/5W 5% T |
| R603 | RCFT-E102J-000 | RESISTOR-CARBON FILM 1Kohm 1/5W 5% T |
| R611 | RCFT-E102J-000 | RESISTOR-CARBON FILM 1Kohm 1/5W 5% T |

| Ref. No. | Part No. | Description |
|------------------------|----------------|--|
| BLOCK TUNER PCB | | |
| R618 | RCFT-E102J-000 | RESISTOR-CARBON FILM 1Kohm 1/5W 5% T |
| R636 | RCFT-E102J-000 | RESISTOR-CARBON FILM 1Kohm 1/5W 5% T |
| R637 | RCFT-E102J-000 | RESISTOR-CARBON FILM 1Kohm 1/5W 5% T |
| R638 | RCFT-E102J-000 | RESISTOR-CARBON FILM 1Kohm 1/5W 5% T |
| R654 | RCFT-E102J-000 | RESISTOR-CARBON FILM 1Kohm 1/5W 5% T |
| R658 | RCFT-E102J-000 | RESISTOR-CARBON FILM 1Kohm 1/5W 5% T |
| R703 | RCFT-E102J-000 | RESISTOR-CARBON FILM 1Kohm 1/5W 5% T |
| R704 | RCFT-E102J-000 | RESISTOR-CARBON FILM 1Kohm 1/5W 5% T |
| R620 | RCFT-E103J-000 | RESISTOR-CARBON FILM 10Kohm 1/5W 5% T |
| R622 | RCFT-E103J-000 | RESISTOR-CARBON FILM 10Kohm 1/5W 5% T |
| R625 | RCFT-E103J-000 | RESISTOR-CARBON FILM 10Kohm 1/5W 5% T |
| R640 | RCFT-E103J-000 | RESISTOR-CARBON FILM 10Kohm 1/5W 5% T |
| R643 | RCFT-E103J-000 | RESISTOR-CARBON FILM 10Kohm 1/5W 5% T |
| R604 | RCFT-E104J-000 | RESISTOR-CARBON FILM 100Kohm 1/5W 5% T |
| R605 | RCFT-E104J-000 | RESISTOR-CARBON FILM 100Kohm 1/5W 5% T |
| R612 | RCFT-E122J-000 | RESISTOR-CARBON FILM 1.2Kohm 1/5W 5% T |
| R675 | RCFT-E124J-000 | RESISTOR-CARBON FILM 120Kohm 1/5W 5% T |
| R677 | RCFT-E124J-000 | RESISTOR-CARBON FILM 120Kohm 1/5W 5% T |
| R653 | RCFT-E152J-000 | RESISTOR-CARBON FILM 1.5Kohm 1/5W 5% T |
| R671 | RCFT-E152J-000 | RESISTOR-CARBON FILM 1.5Kohm 1/5W 5% T |
| R803 | RCFT-E152J-000 | RESISTOR-CARBON FILM 1.5Kohm 1/5W 5% T |
| R804 | RCFT-E152J-000 | RESISTOR-CARBON FILM 1.5Kohm 1/5W 5% T |
| R628 | RCFT-E182J-000 | RESISTOR-CARBON FILM 1.8Kohm 1/5W 5% T |
| R676 | RCFT-E184J-000 | RESISTOR-CARBON FILM 180Kohm 1/5W 5% T |
| R678 | RCFT-E184J-000 | RESISTOR-CARBON FILM 180Kohm 1/5W 5% T |
| R626 | RCFT-E220J-000 | RESISTOR-CARBON FILM 22ohm 1/5W 5% T |
| R630 | RCFT-E220J-000 | RESISTOR-CARBON FILM 22ohm 1/5W 5% T |
| R615 | RCFT-E221J-000 | RESISTOR-CARBON FILM 220ohm 1/5W 5% T |
| R616 | RCFT-E221J-000 | RESISTOR-CARBON FILM 220ohm 1/5W 5% T |
| R679 | RCFT-E221J-000 | RESISTOR-CARBON FILM 220ohm 1/5W 5% T |
| R614 | RCFT-E222J-000 | RESISTOR-CARBON FILM 2.2Kohm 1/5W 5% T |
| R642 | RCFT-E223J-000 | RESISTOR-CARBON FILM 22Kohm 1/5W 5% T |
| R650 | RCFT-E223J-000 | RESISTOR-CARBON FILM 22Kohm 1/5W 5% T |
| R619 | RCFT-E271J-000 | RESISTOR-CARBON FILM 270ohm 1/5W 5% T |
| R705 | RCFT-E271J-000 | RESISTOR-CARBON FILM 270ohm 1/5W 5% T |
| R627 | RCFT-E273J-000 | RESISTOR-CARBON FILM 27Kohm 1/5W 5% T |
| R607 | RCFT-E331J-000 | RESISTOR-CARBON FILM 330ohm 1/5W 5% T |
| R608 | RCFT-E331J-000 | RESISTOR-CARBON FILM 330ohm 1/5W 5% T |
| R609 | RCFT-E332J-000 | RESISTOR-CARBON FILM 3.3Kohm 1/5W 5% T |
| R635 | RCFT-E332J-000 | RESISTOR-CARBON FILM 3.3Kohm 1/5W 5% T |
| R652 | RCFT-E332J-000 | RESISTOR-CARBON FILM 3.3Kohm 1/5W 5% T |
| R672 | RCFT-E332J-000 | RESISTOR-CARBON FILM 3.3Kohm 1/5W 5% T |
| R674 | RCFT-E332J-000 | RESISTOR-CARBON FILM 3.3Kohm 1/5W 5% T |
| R606 | RCFT-E4R7J-000 | RESISTOR-CARBON FILM 4.7ohm 1/5W 5% T |
| R621 | RCFT-E471J-000 | RESISTOR-CARBON FILM 470ohm 1/5W 5% T |
| R623 | RCFT-E472J-000 | RESISTOR-CARBON FILM 4.7Kohm 1/5W 5% T |
| R631 | RCFT-E472J-000 | RESISTOR-CARBON FILM 4.7Kohm 1/5W 5% T |
| R632 | RCFT-E472J-000 | RESISTOR-CARBON FILM 4.7Kohm 1/5W 5% T |
| R633 | RCFT-E472J-000 | RESISTOR-CARBON FILM 4.7Kohm 1/5W 5% T |
| R646 | RCFT-E472J-000 | RESISTOR-CARBON FILM 4.7Kohm 1/5W 5% T |
| R624 | RCFT-E473J-000 | RESISTOR-CARBON FILM 47Kohm 1/5W 5% T |

| Ref. No. | Part No. | Description |
|------------------------|----------------|---|
| BLOCK TUNER PCB | | |
| R647 | RCFT-E473J-000 | RESISTOR-CARBON FILM 47Kohm 1/5W 5% T |
| R649 | RCFT-E473J-000 | RESISTOR-CARBON FILM 47Kohm 1/5W 5% T |
| R610 | RCFT-E561J-000 | RESISTOR-CARBON FILM 560ohm 1/5W 5% T |
| R644 | RCFT-E622J-000 | RESISTOR-CARBON FILM 6.2Kohm 1/5W 5% T |
| R617 | RCFT-E683J-000 | RESISTOR-CARBON FILM 68Kohm 1/5W 5% T |
| R702 | RCFT-E821J-000 | RESISTOR-CARBON FILM 820ohm 1/5W 5% T |
| R645 | RCFT-E823J-000 | RESISTOR-CARBON FILM 82Kohm 1/5W 5% T |
| R655 | RCFT-G471J-190 | RESISTOR-CARBON FILM 470ohm 1/2W 5% 2.3x6.5 T |
| | RJWT-00000-AA0 | RESISTOR-JUMPER WIRE 60mm-TX123 F |
| R701 | RMOH-H820J-100 | MOR PRO1 1W 82ohm 5% R-SHAP |
| JK801 | SKPH-00293-66W | SOCKET-PHONE HTJ064-05BG GOLD |
| ANT601 | TEAT-00143-02S | TERMINAL ANTENNA SC021039FN |
| Q602 | TRTA-00940-SD0 | TRANSISTOR P-H FREQ KRA107M W/RESIST TO92M |
| Q604 | TRTA-00940-SD0 | TRANSISTOR P-H FREQ KRA107M W/RESIST TO92M |
| Q606 | TRTA-00940-SD0 | TRANSISTOR P-H FREQ KRA107M W/RESIST TO92M |
| Q609 | TRTA-00940-SD0 | TRANSISTOR P-H FREQ KRA107M W/RESIST TO92M |
| Q601 | TRTC-0010Y-SD0 | TRANSISTOR N-H FREQ KTC3194-Y TO92 |
| Q607 | TRTC-0016G-SD0 | TRANSISTOR N-H FREQ KTC3198-GR TO92 |
| Q608 | TRTC-0016G-SD0 | TRANSISTOR N-H FREQ KTC3198-GR TO92 |
| Q610 | TRTC-0016G-SD0 | TRANSISTOR N-H FREQ KTC3198-GR TO92 |
| Q701 | TRTC-01060-SD0 | TRANSISTOR N-H FREQ KTC3203 TO92 |
| Q702 | TRTC-01700-SD0 | TRANSISTOR N-H FREQ KRC107M W/RESIST TO92M |
| Q603 | TRTD-00200-SD0 | TRANSISTOR N-L FREQ KTD-1302 TO92 |
| Q605 | TRTD-00200-SD0 | TRANSISTOR N-L FREQ KTD-1302 TO92 |
| FE601 | TUFF-00232-00K | FM F/E TUNER FTA3-509HA |
| | UM08-A1034-000 | WIRE-ASS'Y 1533#28/1007#26-200 10P |
| | U310-2M530-200 | WIRE-ASS'Y 1007#22 RED-300 3P |
| CT601 | VCTC-00022-200 | TRIMMER CVCN06C200 |
| VR602 | VFEB-A021B-224 | RESISTOR-SEMI FIXED RH0638C-220KB 220Kohm |
| VR603 | VFEB-A021B-472 | RESISTOR-SEMI FIXED RH0638C-4.7KB 4.7Kohm |
| VR601 | VFEB-A021B-473 | RESISTOR-SEMI FIXED RH0638C-47KB 47Kohm |
| MV701 | VWBD-E017A-503 | VR-W/MOTOR RK16812MG-50KAx2 |

| Ref. No. | Part No. | Description | |
|----------|--------------------|---------------------|--------------------------|
| | BLOCK SUB | | |
| | ZBNG-00700-4ZL | BOND-ADHESIVE | #575 |
| | ZBNG-01300-5ZL | LOCKER-SCREW | #1401B |
| # | ZGSI-01000-9PN | GREASE-SILICON | G-746 |
| | ZSBR-00010-060 | SOLDER-BAR | SN60 |
| # | ZSWR-00010-F60 | SOLDER-WIRE | D1.0 SN60 |
| # | ZTOP-00701-50C | TAPE-OPP | |
| | ZTWF-01200-039 | TAPE-DOUBLE FACE | TESA 4968 W = 3.0 t=0.32 |
| # | ZZFX-00010-000 | FLUX | ROSIN 28 |
| | ZZTH-00010-000 | DILUENT | ROSIN |
| | BLOCK MECHA | | |
| | ACRC-00680-000 | ASS'Y-REMOCON | HK3470RC (U. S. A) |
| | ANTL-00060-E50 | ANTENNA-LOOP | AAN-007 19.5uH 7T 125x93 |
| | ANNT-00054-075 | ANTENNA-T TYPE | 75ohm W/TER(Y)-1200m/m |
| | BAMN-00010-150 | BATTERY MANGANESE | R03(AAAM) 1.5V 10.5x44.5 |
| | FGFB-Q2002-831 | FUSE GLASS | 2A 125V 51S |
| | FGFB-Q3151-831 | FUSE GLASS | 315mA 125V 5x20 U/C SB |
| | FGFB-Q8002-331 | FUSE GLASS | 8A 125V 5x20 U/C SB |
| | KDAC-0575D-H00 | CORD-AC | KKP-10W WITH CORE |
| | LLA3-20401-E10 | CARD CABLE | 1.25x20Px360xCx(0.1x0.8) |
| | MAAF-03600-022 | WINDOW-FL | HK3470RDS ACRYL T=3.0 (I |
| | MAAF-16130-014 | LENS-VOLUME | HK3370 PMMA(IF-850) |
| | MAAF-16990-014 | LENS-POWER | HK3370 ACRYL |
| | MAAF-17040-014 | FILTER-FL | HK3370 PVC T0.5 |
| | MAAF-17070-004 | SHEET-WINDOW | PE(DRAFTING FILM) |
| | MEAC-05060-002 | RADIATOR-MAIN | A6063 T-5+AL |
| | MJAF-03580-012 | KNOB-FUNCTION | HK3370 ABS |
| | MJAF-06570-011 | PANEL-FRONT | HK3370 ABS |
| | MJAF-08870-013 | KNOB-CHOICE | HK3370 ABS |
| | MJAF-08880-013 | DECO-CHOICE | HK3370 ABS |
| | MJAF-15640-014 | FOOT(A) | AVR200 |
| | MJAF-16050-024 | KNOB-STANDBY | HK3470RDS ABS-720 |
| | MJAF-16070-024 | KNOB-BALANCE | HK3470RDS ABS-720 |
| | MJAF-16100-024 | KNOB-VOLUME | HK3470RDS ABS-720 |
| | MJAF-16140-004 | SUPPORT-PCB | ABS-720 |
| | MJAF-16980-014 | KNOB-POWER | HK3370 ABS |
| | MJAF-17030-004 | GUIDE-LED | ABS |
| | MJAG-00280-003 | CORD-BUSH | NIFCO |
| | MJAG-04540-004 | CABLE-TIE-L80 | * |
| | MLAG-13850-014 | BADGE-H/K | HK3370 AL |
| | MMAC-12060-004 | TERMINAL-GND | |
| | MMAC-15650-004 | SCREW-RADIATOR | |
| | MMAC-16400-004 | SCREW-T/P-TOOTH | 3X10 BLACK |
| | MMAC-17070-004 | JACK-CONNECT | |
| | MMSC-00900-004 | AIR-STAPLER | |
| | MMTc-00751-003 | SCREW-TAPPING | BHW T2T 3x8 FE-ZY |
| | MPAC-04812-002 | CHASSIS-BOTTOM | US COATING T1.2 |
| | MPAC-04950-012 | CHASSIS-TOP | AVR200 SECC(T0.6) + P |
| | MPAC-05040-022 | CHASSIS-BACK | HK3470 SECC T0.8 |
| | MPAC-16220-004 | BRACKET-RADIATOR(S) | US COATING T1.0 |
| | MPAC-16880-004 | SHIELD-BALANCE | ET-HD T0.5 |
| | MRAG-13040-004 | CUSHION-A | FELT 437x10x0.5 S |
| | MRAG-13050-004 | CUSHION-A | FELT 250x10x0.5 S |
| | MRAG-13250-004 | CUSHION-A | EVA T=5.0 |
| | MRAG-13930-004 | TRANSISTOR-MICA | MICA |

| Ref. No. | Part No. | Description | |
|--------------------|----------------|----------------------|-------------------------|
| BLOCK MECHA | | | |
| | MVAW-00910-003 | PALLETS | 1040X1126X141 |
| | PLRC-00020-S30 | PLUG RCA | SHORT JACK |
| | PTAP-03770-CJU | TRANSFORMER-POWER | A96-377C-U,AC120V 60Hz |
| | TFMA-00100-D00 | TRANSFORMER-MATCHING | MT115050 300ohm & 75ohm |
| | TRSA-01770-SD0 | TRANSISTOR P-H FREQ | 2SA1943 |
| | TRSA-01780-SD0 | TRANSISTOR N-H FREQ | 2SC5200 |
| Q209 | TRSC-01680-SB0 | TRANSISTOR N-H FREQ | 2SC4137 TO-126FP |
| Q224 | TRSC-01680-SB0 | TRANSISTOR N-H FREQ | 2SC4137 TO-126FP |
| Q239 | TRSC-01680-SB0 | TRANSISTOR N-H FREQ | 2SC4137 TO-126FP |
| Q254 | TRSC-01680-SB0 | TRANSISTOR N-H FREQ | 2SC4137 TO-126FP |
| Q269 | TRSC-01680-SB0 | TRANSISTOR N-H FREQ | 2SC4137 TO-126FP |
| | U348-9B350-480 | WIRE-ASS'Y | 1618#18-500 WHT 3P |
| | VSPO-00010-100 | POSISTOR | P42T8D100BW23 |
| | XSTB-30080-ZB4 | SCREW-TAPPING | BHT2T 3x8 FE-ZB |
| | XSTB-30080-ZY4 | SCREW-TAPPING | BHT2T 3x8 FE-ZY |
| | XSTB-30100-ZB4 | SCREW-TAPPING | BHT2T 3x10 FE-ZB |
| | XSTB-30100-ZY4 | SCREW-TAPPING | BHT2T 3x10 FE-ZY |
| | XSTB-40080-ZB8 | SCREW-TAPPING | BHT3T 4x8 FE-ZB |
| | XSTB-40080-ZY8 | SCREW-TAPPING | BHT3T 4x8 FE-ZY |
| | XSTS-30080-ZY4 | SCREW-TAPPING | PHWT2T 3x8 FE-ZY |
| | XSTS-30180-ZY4 | SCREW-TAPPING | PHWT2T 3x18 FE-ZY |
| | YGAP-14860-064 | BOX-GIFT | HK3470 535X480X231 DW |
| | YSAP-12070-002 | CUSHION-L/R | EPS |
| | YVAP-01862-004 | POLY-BAG-F | * |
| | YVAP-13320-004 | TOLON-SHEET | 750x1200 0.5t |
| | 7JJG-00212-001 | PACKING WRAP | 500mm*1400m |

| BLOCK MAIN PCB | | | |
|-----------------------|----------------|----------------------|--------------------------|
| C184 | CACS-S472M-179 | CAPACITOR AC | DE7100F472M |
| C134 | CCAT-F103Z-AAF | CAPACITOR CERAMIC | 0.01uF Z 25V F T |
| C191 | CCAT-F223Z-AAF | CAPACITOR CERAMIC | 0.022uF Z 25V F T |
| C192 | CCAT-F223Z-AAF | CAPACITOR CERAMIC | 0.022uF Z 25V F T |
| C101 | CCAT-J101K-AAB | CAPACITOR CERAMIC | 100PF K 50V B T |
| C102 | CCAT-J101K-AAB | CAPACITOR CERAMIC | 100PF K 50V B T |
| C119 | CCAT-J101K-AAB | CAPACITOR CERAMIC | 100PF K 50V B T |
| C120 | CCAT-J101K-AAB | CAPACITOR CERAMIC | 100PF K 50V B T |
| C158 | CCAT-J101K-AAB | CAPACITOR CERAMIC | 100PF K 50V B T |
| C141 | CCAT-J102K-AAB | CAPACITOR CERAMIC | 1000PF K 50V B T |
| C142 | CCAT-J102K-AAB | CAPACITOR CERAMIC | 1000PF K 50V B T |
| C175 | CCAT-J102K-AAB | CAPACITOR CERAMIC | 1000PF K 50V B T |
| C176 | CCAT-J102K-AAB | CAPACITOR CERAMIC | 1000PF K 50V B T |
| C190 | CCAT-J104Z-AAF | CAPACITOR CERAMIC | 0.1uF Z 50V F T |
| C202 | CCAT-J104Z-AAF | CAPACITOR CERAMIC | 0.1uF Z 50V F T |
| C135 | CCAT-J473Z-AAF | CAPACITOR CERAMIC | 0.047uF Z 50V F T |
| C136 | CCAT-J473Z-AAF | CAPACITOR CERAMIC | 0.047uF Z 50V F T |
| C137 | CCAT-J473Z-AAF | CAPACITOR CERAMIC | 0.047uF Z 50V F T |
| C196 | CCCT-J104Z-OFF | CAPACITOR CERAMIC | 0.1uF Z 50V F T |
| C206 | CEEM-G222M-LR1 | CAPACITOR E/ALUMINUM | 2200uF M 35V 16x31.5 U M |
| C207 | CEEM-G222M-LR1 | CAPACITOR E/ALUMINUM | 2200uF M 35V 16x31.5 U M |
| C143 | CEET-D101M-C10 | CAPACITOR E/ALUMINUM | 100uF M 10V 5x11 T |
| C144 | CEET-D101M-C10 | CAPACITOR E/ALUMINUM | 100uF M 10V 5x11 T |
| C200 | CEET-E471M-FI1 | CAPACITOR E/ALUMINUM | 470uF M 16V 8x11.5 U T |
| C188 | CEET-F102M-HN0 | CAPACITOR E/ALUMINUM | 1000uF M 25V 13x16 T |
| C232 | CEET-F220M-C10 | CAPACITOR E/ALUMINUM | 22uF M 25V 5x11 T |
| C153 | CEET-F470M-C10 | CAPACITOR E/ALUMINUM | 47uF M 25V 5x11 T |

| Ref. No. | Part No. | Description | | | | |
|-----------------------|----------------|----------------------|-----------|---|--------------|-----|
| BLOCK MAIN PCB | | | | | | |
| C154 | CEET-F470M-C10 | CAPACITOR E/ALUMINUM | 47uF | M | 25V 5x11 | T |
| C155 | CEET-F470M-C10 | CAPACITOR E/ALUMINUM | 47uF | M | 25V 5x11 | T |
| C156 | CEET-F470M-C10 | CAPACITOR E/ALUMINUM | 47uF | M | 25V 5x11 | T |
| C161 | CEET-F470M-C10 | CAPACITOR E/ALUMINUM | 47uF | M | 25V 5x11 | T |
| C162 | CEET-F470M-C10 | CAPACITOR E/ALUMINUM | 47uF | M | 25V 5x11 | T |
| C163 | CEET-F470M-C10 | CAPACITOR E/ALUMINUM | 47uF | M | 25V 5x11 | T |
| C164 | CEET-F470M-C10 | CAPACITOR E/ALUMINUM | 47uF | M | 25V 5x11 | T |
| C167 | CEET-F470M-C10 | CAPACITOR E/ALUMINUM | 47uF | M | 25V 5x11 | T |
| C168 | CEET-F470M-C10 | CAPACITOR E/ALUMINUM | 47uF | M | 25V 5x11 | T |
| C169 | CEET-F470M-C10 | CAPACITOR E/ALUMINUM | 47uF | M | 25V 5x11 | T |
| C170 | CEET-F470M-C10 | CAPACITOR E/ALUMINUM | 47uF | M | 25V 5x11 | T |
| C179 | CEET-F470M-C10 | CAPACITOR E/ALUMINUM | 47uF | M | 25V 5x11 | T |
| C180 | CEET-F470M-C10 | CAPACITOR E/ALUMINUM | 47uF | M | 25V 5x11 | T |
| C210 | CEET-G221M-HJ1 | CAPACITOR E/ALUMINUM | 220uF | M | 35V 10x12.5 | U T |
| C157 | CEET-J1R0M-C10 | CAPACITOR E/ALUMINUM | 1.0uF | M | 50V 5x11 | T |
| C181 | CEET-J1R0M-C10 | CAPACITOR E/ALUMINUM | 1.0uF | M | 50V 5x11 | T |
| C183 | CEET-J1R0M-C10 | CAPACITOR E/ALUMINUM | 1.0uF | M | 50V 5x11 | T |
| C189 | CEET-J1R0M-C10 | CAPACITOR E/ALUMINUM | 1.0uF | M | 50V 5x11 | T |
| C201 | CEET-J1R0M-C10 | CAPACITOR E/ALUMINUM | 1.0uF | M | 50V 5x11 | T |
| C208 | CEET-J1R0M-C10 | CAPACITOR E/ALUMINUM | 1.0uF | M | 50V 5x11 | T |
| C209 | CEET-J1R0M-C10 | CAPACITOR E/ALUMINUM | 1.0uF | M | 50V 5x11 | T |
| C218 | CEET-J1R0M-C10 | CAPACITOR E/ALUMINUM | 1.0uF | M | 50V 5x11 | T |
| C219 | CEET-J1R0M-C10 | CAPACITOR E/ALUMINUM | 1.0uF | M | 50V 5x11 | T |
| C120 | CEET-J221M-HL1 | CAPACITOR E/ALUMINUM | 220uF | M | 50V 10x16 | U T |
| C193 | CEET-J221M-HL1 | CAPACITOR E/ALUMINUM | 220uF | M | 50V 10x16 | U T |
| C139 | CEET-J4R7M-C10 | CAPACITOR E/ALUMINUM | 4.7uF | M | 50V 5x11 | T |
| C140 | CEET-J4R7M-C10 | CAPACITOR E/ALUMINUM | 4.7uF | M | 50V 5x11 | T |
| C149 | CEET-J4R7M-C10 | CAPACITOR E/ALUMINUM | 4.7uF | M | 50V 5x11 | T |
| C150 | CEET-J4R7M-C10 | CAPACITOR E/ALUMINUM | 4.7uF | M | 50V 5x11 | T |
| C159 | CEET-J4R7M-C10 | CAPACITOR E/ALUMINUM | 4.7uF | M | 50V 5x11 | T |
| C160 | CEET-J4R7M-C10 | CAPACITOR E/ALUMINUM | 4.7uF | M | 50V 5x11 | T |
| C165 | CEET-J4R7M-C10 | CAPACITOR E/ALUMINUM | 4.7uF | M | 50V 5x11 | T |
| C166 | CEET-J4R7M-C10 | CAPACITOR E/ALUMINUM | 4.7uF | M | 50V 5x11 | T |
| C171 | CEET-J4R7M-C10 | CAPACITOR E/ALUMINUM | 4.7uF | M | 50V 5x11 | T |
| C172 | CEET-J4R7M-C10 | CAPACITOR E/ALUMINUM | 4.7uF | M | 50V 5x11 | T |
| C173 | CEET-J4R7M-C10 | CAPACITOR E/ALUMINUM | 4.7uF | M | 50V 5x11 | T |
| C174 | CEET-J4R7M-C10 | CAPACITOR E/ALUMINUM | 4.7uF | M | 50V 5x11 | T |
| C177 | CEET-J4R7M-C10 | CAPACITOR E/ALUMINUM | 4.7uF | M | 50V 5x11 | T |
| C178 | CEET-J4R7M-C10 | CAPACITOR E/ALUMINUM | 4.7uF | M | 50V 5x11 | T |
| C194 | CEET-J470M-D10 | CAPACITOR E/ALUMINUM | 47uF | M | 50V 6.3x11 | T |
| C195 | CEET-J470M-D10 | CAPACITOR E/ALUMINUM | 47uF | M | 50V 6.3x11 | T |
| C216 | CEEZ-L154M-SW2 | CAPACITOR E/ALUMINUM | 15000uF | M | 63V 35x60 | |
| C217 | CEEZ-L154M-SW2 | CAPACITOR E/ALUMINUM | 15000uF | M | 63V 35x60 | |
| C138 | CFMT-L334J-EGN | CAPACITOR F/POLYESTR | EB 0.33uF | J | 50V 7.2x9.5 | T |
| C197 | CFMT-N103J-DE0 | CAPACITOR F/POLYESTR | 0.01uF | J | 100V 6x7 | T |
| C198 | CFMT-N103J-DE0 | CAPACITOR F/POLYESTR | 0.01uF | J | 100V 6x7 | T |
| C199 | CFMT-N103J-DE0 | CAPACITOR F/POLYESTR | 0.01uF | J | 100V 6x7 | T |
| C203 | CFMT-N103J-DE0 | CAPACITOR F/POLYESTR | 0.01uF | J | 100V 6x7 | T |
| C204 | CFMT-N103J-DE0 | CAPACITOR F/POLYESTR | 0.01uF | J | 100V 6x7 | T |
| C205 | CFMT-N103J-DE0 | CAPACITOR F/POLYESTR | 0.01uF | J | 100V 6x7 | T |
| C145 | CFMT-N152J-CJ0 | CAPACITOR F/POLYESTR | 0.0015uF | J | 100V 5.4x12 | T |
| C146 | CFMT-N152J-CJ0 | CAPACITOR F/POLYESTR | 0.0015uF | J | 100V 5.4x12 | T |
| C151 | CFMT-N182J-CJ0 | CAPACITOR F/POLYESTR | 0.0018uF | J | 100V 5.5x12 | T |
| C152 | CFMT-N182J-CJ0 | CAPACITOR F/POLYESTR | 0.0018uF | J | 100V 5.5x12 | T |
| C185 | CFMT-N473J-GK0 | CAPACITOR F/POLYESTR | 0.047uF | J | 100V 8.9x13. | T |

| Ref. No. | Part No. | Description | |
|-----------------------|----------------|----------------------|----------------------------|
| BLOCK MAIN PCB | | | |
| C186 | CFMT-N473J-GK0 | CAPACITOR F/POLYESTR | 0.047uF J 100V 8.9x13. T |
| C187 | CFMT-N473J-GK0 | CAPACITOR F/POLYESTR | 0.047uF J 100V 8.9x13. T |
| C220 | CFMT-N473J-GK0 | CAPACITOR F/POLYESTR | 0.047uF J 100V 8.9x13. T |
| C221 | CFMT-N473J-GK0 | CAPACITOR F/POLYESTR | 0.047uF J 100V 8.9x13. T |
| C222 | CFMT-N473J-GK0 | CAPACITOR F/POLYESTR | 0.047uF J 100V 8.9x13. T |
| C223 | CFMT-N473J-GK0 | CAPACITOR F/POLYESTR | 0.047uF J 100V 8.9x13. T |
| C147 | CFMT-N562J-DJ0 | CAPACITOR F/POLYESTR | 0.0056uF J 100V 5.8x12 T |
| C148 | CFMT-N562J-DJ0 | CAPACITOR F/POLYESTR | 0.0056uF J 100V 5.8x12 T |
| C211 | CFMT-S104K-GI0 | CAPACITOR F/POLYESTR | 0.1uF K 250V 9.5x11 TL |
| C212 | CFMT-S104K-GI0 | CAPACITOR F/POLYESTR | 0.1uF K 250V 9.5x11 TL |
| C213 | CFMT-S104K-GI0 | CAPACITOR F/POLYESTR | 0.1uF K 250V 9.5x11 TL |
| C214 | CFMT-S104K-GI0 | CAPACITOR F/POLYESTR | 0.1uF K 250V 9.5x11 TL |
| C215 | CFMT-S104K-GI0 | CAPACITOR F/POLYESTR | 0.1uF K 250V 9.5x11 TL |
| D101 | DDMR-00230-T10 | DIODE-RECTIFIER | GP60-04F(400V 6A) |
| D102 | DDMR-00230-T10 | DIODE-RECTIFIER | GP60-04F(400V 6A) |
| D103 | DDMR-00230-T10 | DIODE-RECTIFIER | GP60-04F(400V 6A) |
| D104 | DDMR-00230-T10 | DIODE-RECTIFIER | GP60-04F(400V 6A) |
| D105 | DDTR-00040-T10 | DIODE-RECTIFIER | 1N4004S(400V 1A 0.6mm) T |
| D106 | DDTR-00040-T10 | DIODE-RECTIFIER | 1N4004S(400V 1A 0.6mm) T |
| D107 | DDTR-00040-T10 | DIODE-RECTIFIER | 1N4004S(400V 1A 0.6mm) T |
| D108 | DDTR-00040-T10 | DIODE-RECTIFIER | 1N4004S(400V 1A 0.6mm) T |
| D109 | DDTR-00040-T10 | DIODE-RECTIFIER | 1N4004S(400V 1A 0.6mm) T |
| D110 | DDTR-00040-T10 | DIODE-RECTIFIER | 1N4004S(400V 1A 0.6mm) T |
| D113 | DDTR-00040-T10 | DIODE-RECTIFIER | 1N4004S(400V 1A 0.6mm) T |
| D114 | DDTR-00040-T10 | DIODE-RECTIFIER | 1N4004S(400V 1A 0.6mm) T |
| D115 | DDTR-00040-T10 | DIODE-RECTIFIER | 1N4004S(400V 1A 0.6mm) T |
| D116 | DDTR-00040-T10 | DIODE-RECTIFIER | 1N4004S(400V 1A 0.6mm) T |
| D117 | DDTR-00040-T10 | DIODE-RECTIFIER | 1N4004S(400V 1A 0.6mm) T |
| D118 | DDTR-00040-T10 | DIODE-RECTIFIER | 1N4004S(400V 1A 0.6mm) T |
| D119 | DDTR-00040-T10 | DIODE-RECTIFIER | 1N4004S(400V 1A 0.6mm) T |
| D120 | DDTR-00040-T10 | DIODE-RECTIFIER | 1N4004S(400V 1A 0.6mm) T |
| D121 | DDTR-00040-T10 | DIODE-RECTIFIER | 1N4004S(400V 1A 0.6mm) T |
| D122 | DDTR-00040-T10 | DIODE-RECTIFIER | 1N4004S(400V 1A 0.6mm) T |
| D125 | DDTR-00040-T10 | DIODE-RECTIFIER | 1N4004S(400V 1A 0.6mm) T |
| D126 | DDTR-00040-T10 | DIODE-RECTIFIER | 1N4004S(400V 1A 0.6mm) T |
| D123 | DDTS-00070-SO0 | DIODE-SI | 1SS133 (40V 0.11A) DO-40 T |
| D124 | DDTS-00070-SO0 | DIODE-SI | 1SS133 (40V 0.11A) DO-40 T |
| D111 | DDTZ-G150C-SO0 | DIODE ZENER | MTZ15C 14.35-15.09 DO40 T |
| D112 | DDTZ-G180C-SO0 | DIODE ZENER | MTZ18C 17.42-18.33 DO40 T |
| RL101 | ESRY-00340-112 | RELAY | SDT-S-112DMR |
| RL104 | ESRY-00350-121 | RELAY | V23105-A5003-A201 |
| RL102 | ESRY-00370-24U | RELAY | OSA-SS-224DM3(24V DC) |
| RL103 | ESRY-00370-24U | RELAY | OSA-SS-224DM3(24V DC) |
| IC102 | ICDG-00260-S10 | IC FUNCTION SELECTOR | LC7821 DIP30S |
| IC104 | ICOP-00131-SE0 | IC DUAL OP AMP | KA4558C DIP8 |
| IC105 | ICOP-00131-SE0 | IC DUAL OP AMP | KA4558C DIP8 |
| IC106 | ICOP-00131-SE0 | IC DUAL OP AMP | KA4558C DIP8 |
| IC107 | ICOP-00131-SE0 | IC DUAL OP AMP | KA4558C DIP8 |
| IC101 | ICOP-00432-SG0 | IC OP AMP | NJM2068DD DIP8 |
| IC103 | ICOP-00432-SG0 | IC OP AMP | NJM2068DD DIP8 |
| IC108 | ICPC-00010-TB0 | IC PHOTOCOUPLER | LTV817B DIP4 |
| IC109 | ICRG-00043-SE0 | IC REGULATOR | KA7805 5V 3mm TO-220 |
| IC110 | ICRG-00043-SE0 | IC REGULATOR | KA7805 5V 3mm TO-220 |
| IC111 | ICRG-00061-SE0 | IC REGULATOR | KA7815 15V 3mm TO-220 |
| IC112 | ICRG-00251-SE0 | IC REGULATOR | KA7915 15V 3mm TO-220 |

| Ref. No. | Part No. | Description | |
|-----------------------|----------------|----------------------|----------------------|
| BLOCK MAIN PCB | | | |
| L101 | K10T-4470K-003 | COIL-INDUCTOR | 47uH K LAL02 T |
| L102 | K10T-4470K-003 | COIL-INDUCTOR | 47uH K LAL02 T |
| CN107 | KNCW-00140-ATM | CONNECTOR-WAFER | 5267-10A 2.5mm MILK |
| CN106 | KNCW-00140-3TM | CONNECTOR-WAFER | 5267-03A 2.5mm MILK |
| CN105 | KNCW-00140-6TM | CONNECTOR-WAFER | 5267-06A 2.5mm MILK |
| CN113 | KNCW-00140-7TM | CONNECTOR-WAFER | 5267-07A 2.5mm MILK |
| CN109 | KNCW-00240-AT9 | CONNECTOR-WAFER | 53014-10 2.0mm WHT |
| CN108 | KNCW-00240-4T9 | CONNECTOR-WAFER | 53014-04 2.0mm WHT |
| CN115 | KNCW-00823-KT9 | CONNECTOR WAFER | 6216-20PST |
| CN111 | KNCW-00970-2T9 | CONNECTOR-WAFER | JE202-1T-2P |
| CN112 | KNCW-00970-2T9 | CONNECTOR-WAFER | JE202-1T-2P |
| CN104 | KNCW-00970-3T9 | CONNECTOR-WAFER | JE202-1T-3P |
| CN101 | KNCW-00990-2T9 | CONNECTOR-WAFER | JE202A-1T-02 |
| CN102 | KNCW-00990-2T9 | CONNECTOR-WAFER | JE202A-1T-02 |
| CN103 | KNCW-00990-2T9 | CONNECTOR-WAFER | JE202A-1T-02 |
| CN114 | KNCW-01520-ES9 | CONNECTOR-WAFER | 35336-1410 20MM 14P |
| | MEAC-08215-004 | RADIATOR-TR | |
| | MEAC-12693-004 | HEAT-SINK(TR) | |
| GT101 | MPAC-03810-004 | TERMINAL-GND | ET-HD T0.3 |
| GT102 | MPAC-03810-004 | TERMINAL-GND | ET-HD T0.3 |
| GT103 | MPAC-03810-004 | TERMINAL-GND | ET-HD T0.3 |
| FC101 | MPAC-11620-004 | FUSE CLIP | 5.2Pi TAPPING TYPE |
| FC102 | MPAC-11620-004 | FUSE CLIP | 5.2Pi TAPPING TYPE |
| FC103 | MPAC-11620-004 | FUSE CLIP | 5.2Pi TAPPING TYPE |
| FC104 | MPAC-11620-004 | FUSE CLIP | 5.2Pi TAPPING TYPE |
| FC107 | MPAC-11620-004 | FUSE CLIP | 5.2Pi TAPPING TYPE |
| FC108 | MPAC-11620-004 | FUSE CLIP | 5.2Pi TAPPING TYPE |
| FC109 | MPAC-11620-004 | FUSE CLIP | 5.2Pi TAPPING TYPE |
| FC110 | MPAC-11620-004 | FUSE CLIP | 5.2Pi TAPPING TYPE |
| FC111 | MPAC-11620-004 | FUSE CLIP | 5.2Pi TAPPING TYPE |
| FC112 | MPAC-11620-004 | FUSE CLIP | 5.2Pi TAPPING TYPE |
| PCB1 | PCSR-05390-11B | PCB-SINGLE | A1R-539 330x247x1.6t |
| PT101 | PTA1-03680-CJU | TRANSFORMER-POWER | A28-368C-U |
| R226 | RCFT-E101J-000 | RESISTOR-CARBON FILM | 100ohm 1/5W 5% T |
| R101 | RCFT-E102J-000 | RESISTOR-CARBON FILM | 1Kohm 1/5W 5% T |
| R102 | RCFT-E102J-000 | RESISTOR-CARBON FILM | 1Kohm 1/5W 5% T |
| R138 | RCFT-E102J-000 | RESISTOR-CARBON FILM | 1Kohm 1/5W 5% T |
| R139 | RCFT-E102J-000 | RESISTOR-CARBON FILM | 1Kohm 1/5W 5% T |
| R140 | RCFT-E102J-000 | RESISTOR-CARBON FILM | 1Kohm 1/5W 5% T |
| R149 | RCFT-E102J-000 | RESISTOR-CARBON FILM | 1Kohm 1/5W 5% T |
| R153 | RCFT-E102J-000 | RESISTOR-CARBON FILM | 1Kohm 1/5W 5% T |
| R154 | RCFT-E102J-000 | RESISTOR-CARBON FILM | 1Kohm 1/5W 5% T |
| R159 | RCFT-E102J-000 | RESISTOR-CARBON FILM | 1Kohm 1/5W 5% T |
| R160 | RCFT-E102J-000 | RESISTOR-CARBON FILM | 1Kohm 1/5W 5% T |
| R179 | RCFT-E102J-000 | RESISTOR-CARBON FILM | 1Kohm 1/5W 5% T |
| R191 | RCFT-E102J-000 | RESISTOR-CARBON FILM | 1Kohm 1/5W 5% T |
| R199 | RCFT-E102J-000 | RESISTOR-CARBON FILM | 1Kohm 1/5W 5% T |
| R240 | RCFT-E102J-000 | RESISTOR-CARBON FILM | 1Kohm 1/5W 5% T |
| R147 | RCFT-E103J-000 | RESISTOR-CARBON FILM | 10Kohm 1/5W 5% T |
| R148 | RCFT-E103J-000 | RESISTOR-CARBON FILM | 10Kohm 1/5W 5% T |
| R167 | RCFT-E103J-000 | RESISTOR-CARBON FILM | 10Kohm 1/5W 5% T |
| R169 | RCFT-E103J-000 | RESISTOR-CARBON FILM | 10Kohm 1/5W 5% T |
| R170 | RCFT-E103J-000 | RESISTOR-CARBON FILM | 10Kohm 1/5W 5% T |
| R172 | RCFT-E103J-000 | RESISTOR-CARBON FILM | 10Kohm 1/5W 5% T |
| R177 | RCFT-E103J-000 | RESISTOR-CARBON FILM | 10Kohm 1/5W 5% T |

| Ref. No. | Part No. | Description | |
|-----------------------|----------------|----------------------|-------------------|
| BLOCK MAIN PCB | | | |
| R178 | RCFT-E103J-000 | RESISTOR-CARBON FILM | 10Kohm 1/5W 5% T |
| R239 | RCFT-E103J-000 | RESISTOR-CARBON FILM | 10Kohm 1/5W 5% T |
| R119 | RCFT-E104J-000 | RESISTOR-CARBON FILM | 100Kohm 1/5W 5% T |
| R120 | RCFT-E104J-000 | RESISTOR-CARBON FILM | 100Kohm 1/5W 5% T |
| R121 | RCFT-E104J-000 | RESISTOR-CARBON FILM | 100Kohm 1/5W 5% T |
| R122 | RCFT-E104J-000 | RESISTOR-CARBON FILM | 100Kohm 1/5W 5% T |
| R131 | RCFT-E104J-000 | RESISTOR-CARBON FILM | 100Kohm 1/5W 5% T |
| R132 | RCFT-E104J-000 | RESISTOR-CARBON FILM | 100Kohm 1/5W 5% T |
| R137 | RCFT-E104J-000 | RESISTOR-CARBON FILM | 100Kohm 1/5W 5% T |
| R145 | RCFT-E104J-000 | RESISTOR-CARBON FILM | 100Kohm 1/5W 5% T |
| R146 | RCFT-E104J-000 | RESISTOR-CARBON FILM | 100Kohm 1/5W 5% T |
| R157 | RCFT-E104J-000 | RESISTOR-CARBON FILM | 100Kohm 1/5W 5% T |
| R158 | RCFT-E104J-000 | RESISTOR-CARBON FILM | 100Kohm 1/5W 5% T |
| R163 | RCFT-E104J-000 | RESISTOR-CARBON FILM | 100Kohm 1/5W 5% T |
| R164 | RCFT-E104J-000 | RESISTOR-CARBON FILM | 100Kohm 1/5W 5% T |
| R190 | RCFT-E104J-000 | RESISTOR-CARBON FILM | 100Kohm 1/5W 5% T |
| R198 | RCFT-E104J-000 | RESISTOR-CARBON FILM | 100Kohm 1/5W 5% T |
| R203 | RCFT-E104J-000 | RESISTOR-CARBON FILM | 100Kohm 1/5W 5% T |
| R204 | RCFT-E104J-000 | RESISTOR-CARBON FILM | 100Kohm 1/5W 5% T |
| R207 | RCFT-E104J-000 | RESISTOR-CARBON FILM | 100Kohm 1/5W 5% T |
| R208 | RCFT-E104J-000 | RESISTOR-CARBON FILM | 100Kohm 1/5W 5% T |
| R213 | RCFT-E104J-000 | RESISTOR-CARBON FILM | 100Kohm 1/5W 5% T |
| R214 | RCFT-E104J-000 | RESISTOR-CARBON FILM | 100Kohm 1/5W 5% T |
| R221 | RCFT-E123J-000 | RESISTOR-CARBON FILM | 12Kohm 1/5W 5% T |
| R174 | RCFT-E151J-000 | RESISTOR-CARBON FILM | 150ohm 1/5W 5% T |
| R215 | RCFT-E152J-000 | RESISTOR-CARBON FILM | 1.5Kohm 1/5W 5% T |
| R216 | RCFT-E152J-000 | RESISTOR-CARBON FILM | 1.5Kohm 1/5W 5% T |
| R173 | RCFT-E202J-000 | RESISTOR-CARBON FILM | 2Kohm 1/5W 5% T |
| R209 | RCFT-E202J-000 | RESISTOR-CARBON FILM | 2Kohm 1/5W 5% T |
| R210 | RCFT-E202J-000 | RESISTOR-CARBON FILM | 2Kohm 1/5W 5% T |
| R180 | RCFT-E220J-000 | RESISTOR-CARBON FILM | 22ohm 1/5W 5% T |
| R181 | RCFT-E220J-000 | RESISTOR-CARBON FILM | 22ohm 1/5W 5% T |
| R115 | RCFT-E221J-000 | RESISTOR-CARBON FILM | 220ohm 1/5W 5% T |
| R116 | RCFT-E221J-000 | RESISTOR-CARBON FILM | 220ohm 1/5W 5% T |
| R117 | RCFT-E221J-000 | RESISTOR-CARBON FILM | 220ohm 1/5W 5% T |
| R118 | RCFT-E221J-000 | RESISTOR-CARBON FILM | 220ohm 1/5W 5% T |
| R133 | RCFT-E221J-000 | RESISTOR-CARBON FILM | 220ohm 1/5W 5% T |
| R134 | RCFT-E221J-000 | RESISTOR-CARBON FILM | 220ohm 1/5W 5% T |
| R135 | RCFT-E221J-000 | RESISTOR-CARBON FILM | 220ohm 1/5W 5% T |
| R136 | RCFT-E221J-000 | RESISTOR-CARBON FILM | 220ohm 1/5W 5% T |
| R155 | RCFT-E221J-000 | RESISTOR-CARBON FILM | 220ohm 1/5W 5% T |
| R156 | RCFT-E221J-000 | RESISTOR-CARBON FILM | 220ohm 1/5W 5% T |
| R165 | RCFT-E221J-000 | RESISTOR-CARBON FILM | 220ohm 1/5W 5% T |
| R166 | RCFT-E221J-000 | RESISTOR-CARBON FILM | 220ohm 1/5W 5% T |
| R202 | RCFT-E221J-000 | RESISTOR-CARBON FILM | 220ohm 1/5W 5% T |
| R217 | RCFT-E221J-000 | RESISTOR-CARBON FILM | 220ohm 1/5W 5% T |
| R218 | RCFT-E221J-000 | RESISTOR-CARBON FILM | 220ohm 1/5W 5% T |
| R200 | RCFT-E222J-000 | RESISTOR-CARBON FILM | 2.2Kohm 1/5W 5% T |
| R211 | RCFT-E222J-000 | RESISTOR-CARBON FILM | 2.2Kohm 1/5W 5% T |
| R212 | RCFT-E222J-000 | RESISTOR-CARBON FILM | 2.2Kohm 1/5W 5% T |
| R230 | RCFT-E222J-000 | RESISTOR-CARBON FILM | 2.2Kohm 1/5W 5% T |
| R232 | RCFT-E222J-000 | RESISTOR-CARBON FILM | 2.2Kohm 1/5W 5% T |
| R243 | RCFT-E222J-000 | RESISTOR-CARBON FILM | 2.2Kohm 1/5W 5% T |
| R244 | RCFT-E222J-000 | RESISTOR-CARBON FILM | 2.2Kohm 1/5W 5% T |
| R151 | RCFT-E224J-000 | RESISTOR-CARBON FILM | 220Kohm 1/5W 5% T |

| Ref. No. | Part No. | Description | |
|-----------------------|----------------|----------------------|-------------------|
| BLOCK MAIN PCB | | | |
| R152 | RCFT-E224J-000 | RESISTOR-CARBON FILM | 220Kohm 1/5W 5% T |
| R183 | RCFT-E271J-000 | RESISTOR-CARBON FILM | 270ohm 1/5W 5% T |
| R185 | RCFT-E271J-000 | RESISTOR-CARBON FILM | 270ohm 1/5W 5% T |
| R187 | RCFT-E271J-000 | RESISTOR-CARBON FILM | 270ohm 1/5W 5% T |
| R189 | RCFT-E271J-000 | RESISTOR-CARBON FILM | 270ohm 1/5W 5% T |
| R193 | RCFT-E271J-000 | RESISTOR-CARBON FILM | 270ohm 1/5W 5% T |
| R195 | RCFT-E271J-000 | RESISTOR-CARBON FILM | 270ohm 1/5W 5% T |
| R197 | RCFT-E271J-000 | RESISTOR-CARBON FILM | 270ohm 1/5W 5% T |
| R225 | RCFT-E271J-000 | RESISTOR-CARBON FILM | 270ohm 1/5W 5% T |
| R235 | RCFT-E3R3J-000 | RESISTOR-CARBON FILM | 3.3ohm 1/5W 5% T |
| R236 | RCFT-E3R3J-000 | RESISTOR-CARBON FILM | 3.3ohm 1/5W 5% T |
| R222 | RCFT-E332J-000 | RESISTOR-CARBON FILM | 3.3Kohm 1/5W 5% T |
| R223 | RCFT-E332J-000 | RESISTOR-CARBON FILM | 3.3Kohm 1/5W 5% T |
| R224 | RCFT-E332J-000 | RESISTOR-CARBON FILM | 3.3Kohm 1/5W 5% T |
| R161 | RCFT-E392J-000 | RESISTOR-CARBON FILM | 3.9Kohm 1/5W 5% T |
| R162 | RCFT-E392J-000 | RESISTOR-CARBON FILM | 3.9Kohm 1/5W 5% T |
| R227 | RCFT-E392J-000 | RESISTOR-CARBON FILM | 3.9Kohm 1/5W 5% T |
| R176 | RCFT-E4R7J-000 | RESISTOR-CARBON FILM | 4.7ohm 1/5W 5% T |
| R248 | RCFT-E4R7J-000 | RESISTOR-CARBON FILM | 4.7ohm 1/5W 5% T |
| R228 | RCFT-E470J-000 | RESISTOR-CARBON FILM | 47ohm 1/5W 5% T |
| R103 | RCFT-E471J-000 | RESISTOR-CARBON FILM | 470ohm 1/5W 5% T |
| R104 | RCFT-E471J-000 | RESISTOR-CARBON FILM | 470ohm 1/5W 5% T |
| R105 | RCFT-E471J-000 | RESISTOR-CARBON FILM | 470ohm 1/5W 5% T |
| R106 | RCFT-E471J-000 | RESISTOR-CARBON FILM | 470ohm 1/5W 5% T |
| R107 | RCFT-E471J-000 | RESISTOR-CARBON FILM | 470ohm 1/5W 5% T |
| R108 | RCFT-E471J-000 | RESISTOR-CARBON FILM | 470ohm 1/5W 5% T |
| R109 | RCFT-E471J-000 | RESISTOR-CARBON FILM | 470ohm 1/5W 5% T |
| R110 | RCFT-E471J-000 | RESISTOR-CARBON FILM | 470ohm 1/5W 5% T |
| R111 | RCFT-E471J-000 | RESISTOR-CARBON FILM | 470ohm 1/5W 5% T |
| R112 | RCFT-E471J-000 | RESISTOR-CARBON FILM | 470ohm 1/5W 5% T |
| R113 | RCFT-E471J-000 | RESISTOR-CARBON FILM | 470ohm 1/5W 5% T |
| R114 | RCFT-E471J-000 | RESISTOR-CARBON FILM | 470ohm 1/5W 5% T |
| R129 | RCFT-E471J-000 | RESISTOR-CARBON FILM | 470ohm 1/5W 5% T |
| R130 | RCFT-E471J-000 | RESISTOR-CARBON FILM | 470ohm 1/5W 5% T |
| R143 | RCFT-E471J-000 | RESISTOR-CARBON FILM | 470ohm 1/5W 5% T |
| R144 | RCFT-E471J-000 | RESISTOR-CARBON FILM | 470ohm 1/5W 5% T |
| R205 | RCFT-E471J-000 | RESISTOR-CARBON FILM | 470ohm 1/5W 5% T |
| R206 | RCFT-E471J-000 | RESISTOR-CARBON FILM | 470ohm 1/5W 5% T |
| R127 | RCFT-E473J-000 | RESISTOR-CARBON FILM | 47Kohm 1/5W 5% T |
| R128 | RCFT-E473J-000 | RESISTOR-CARBON FILM | 47Kohm 1/5W 5% T |
| R141 | RCFT-E473J-000 | RESISTOR-CARBON FILM | 47Kohm 1/5W 5% T |
| R142 | RCFT-E473J-000 | RESISTOR-CARBON FILM | 47Kohm 1/5W 5% T |
| R229 | RCFT-E473J-000 | RESISTOR-CARBON FILM | 47Kohm 1/5W 5% T |
| R182 | RCFT-E512J-000 | RESISTOR-CARBON FILM | 5.1Kohm 1/5W 5% T |
| R184 | RCFT-E512J-000 | RESISTOR-CARBON FILM | 5.1Kohm 1/5W 5% T |
| R186 | RCFT-E512J-000 | RESISTOR-CARBON FILM | 5.1Kohm 1/5W 5% T |
| R188 | RCFT-E512J-000 | RESISTOR-CARBON FILM | 5.1Kohm 1/5W 5% T |
| R192 | RCFT-E512J-000 | RESISTOR-CARBON FILM | 5.1Kohm 1/5W 5% T |
| R194 | RCFT-E512J-000 | RESISTOR-CARBON FILM | 5.1Kohm 1/5W 5% T |
| R196 | RCFT-E512J-000 | RESISTOR-CARBON FILM | 5.1Kohm 1/5W 5% T |
| R125 | RCFT-E564J-000 | RESISTOR-CARBON FILM | 560Kohm 1/5W 5% T |
| R126 | RCFT-E564J-000 | RESISTOR-CARBON FILM | 560Kohm 1/5W 5% T |
| R168 | RCFT-E622J-000 | RESISTOR-CARBON FILM | 6.2Kohm 1/5W 5% T |
| R171 | RCFT-E622J-000 | RESISTOR-CARBON FILM | 6.2Kohm 1/5W 5% T |
| R123 | RCFT-E751J-000 | RESISTOR-CARBON FILM | 750ohm 1/5W 5% T |

| Ref. No. | Part No. | Description | |
|------------------------|----------------|----------------------|--------------------------|
| BLOCK MAIN PCB | | | |
| R124 | RCFT-E751J-000 | RESISTOR-CARBON FILM | 750ohm 1/5W 5% T |
| R175 | RCFT-E820J-000 | RESISTOR-CARBON FILM | 82ohm 1/5W 5% T |
| R201 | RCFT-E823J-000 | RESISTOR-CARBON FILM | 82Kohm 1/5W 5% T |
| R231 | RCFT-E823J-000 | RESISTOR-CARBON FILM | 82Kohm 1/5W 5% T |
| R245 | RCFT-E823J-000 | RESISTOR-CARBON FILM | 82Kohm 1/5W 5% T |
| R246 | RCFT-E823J-000 | RESISTOR-CARBON FILM | 82Kohm 1/5W 5% T |
| R237 | RCFT-F4R7J-010 | RESISTOR-CARBON FILM | 4.7ohm 1/4W 5% T |
| R238 | RCFT-F4R7J-010 | RESISTOR-CARBON FILM | 4.7ohm 1/4W 5% T |
| R247 | RCFT-F4R7J-010 | RESISTOR-CARBON FILM | 4.7ohm 1/4W 5% T |
| R234 | RCFT-G335K-1D0 | RESISTOR-CARBON FILM | 3.3Mohm 1/2W ERC12UGK33 |
| R253 | RMOH-H100J-100 | RESISTOR-METAL OXIDE | PRO1 1W 10ohm 5% R-SHAP |
| R233 | RMOH-H4R7J-100 | RESISTOR-METAL OXIDE | PRO1 1W 4.7ohm J R-SHAPE |
| R241 | RMOH-H4R7J-100 | RESISTOR-METAL OXIDE | PRO1 1W 4.7ohm J R-SHAPE |
| R242 | RMOH-H4R7J-100 | RESISTOR-METAL OXIDE | PRO1 1W 4.7ohm J R-SHAPE |
| R249 | RMOH-J100J-040 | RESISTOR-METAL OXIDE | 10ohm 2W 5% H |
| R250 | RMOH-J100J-040 | RESISTOR-METAL OXIDE | 10ohm 2W 5% H |
| R251 | RMOH-J100J-040 | RESISTOR-METAL OXIDE | 10ohm 2W 5% H |
| R252 | RMOH-J100J-040 | RESISTOR-METAL OXIDE | 10ohm 2W 5% H |
| A0101 | SKAO-00190-C50 | AC OUTLET | S2-764T-214 |
| JK105 | SKPH-00520-360 | MINIATURE JACK | HSJ1002-01-1020 |
| JK101 | SKRC-00290-020 | SOCKET-RCA | JK0200440N 2P |
| JK102 | SKRC-00420-061 | SOCKET-RCA | JK0600460N |
| JK103 | SKRC-00420-061 | SOCKET-RCA | JK0600460N |
| JK104 | SKRC-00760-060 | SOCKET-RCA | JK0600467N |
| TE101 | TESP-00230-08S | TERMINAL SPEAKER | SH0810360P |
| Q102 | TRTA-0012Y-SD0 | TRANSISTOR P-H FREQ | KTA1273-Y TO92L |
| Q106 | TRTA-00940-SD0 | TRANSISTOR P-H FREQ | KRA107M W/RESIST TO92M |
| Q109 | TRTA-00940-SD0 | TRANSISTOR P-H FREQ | KRA107M W/RESIST TO92M |
| Q105 | TRTC-01700-SD0 | TRANSISTOR N-H FREQ | KRC107M W/RESIST TO92M |
| Q101 | TRTD-00200-SD0 | TRANSISTOR N-L FREQ | KTD-1302 TO92 |
| Q103 | TRTD-00200-SD0 | TRANSISTOR N-L FREQ | KTD-1302 TO92 |
| Q104 | TRTD-00200-SD0 | TRANSISTOR N-L FREQ | KTD-1302 TO92 |
| Q107 | TRTD-00200-SD0 | TRANSISTOR N-L FREQ | KTD-1302 TO92 |
| Q108 | TRTD-00200-SD0 | TRANSISTOR N-L FREQ | KTD-1302 TO92 |
| Q110 | TRTD-00200-SD0 | TRANSISTOR N-L FREQ | KTD-1302 TO92 |
| Q111 | TRTD-00200-SD0 | TRANSISTOR N-L FREQ | KTD-1302 TO92 |
| BLOCK FRONT PCB | | | |
| C302 | CCAT-J104Z-AAF | CAPACITOR CERAMIC | 0.1uF Z 50V F T |
| C305 | CCAT-J104Z-AAF | CAPACITOR CERAMIC | 0.1uF Z 50V F T |
| C306 | CCAT-J104Z-AAF | CAPACITOR CERAMIC | 0.1uF Z 50V F T |
| C308 | CCAT-J104Z-AAF | CAPACITOR CERAMIC | 0.1uF Z 50V F T |
| C314 | CCAT-J104Z-AAF | CAPACITOR CERAMIC | 0.1uF Z 50V F T |
| C315 | CCAT-J104Z-AAF | CAPACITOR CERAMIC | 0.1uF Z 50V F T |
| C503 | CCAT-J330J-AAZ | CAPACITOR CERAMIC | 33PF J 50V SL T |
| C504 | CCAT-J330J-AAZ | CAPACITOR CERAMIC | 33PF J 50V SL T |
| C317 | CCAT-J470J-AAZ | CAPACITOR CERAMIC | 47PF J 50V SL T |
| C501 | CCAT-J470J-AAZ | CAPACITOR CERAMIC | 47PF J 50V SL T |
| C502 | CCAT-J470J-AAZ | CAPACITOR CERAMIC | 47PF J 50V SL T |
| C311 | CCAT-J473Z-AAF | CAPACITOR CERAMIC | 0.047uF Z 50V F T |
| C312 | CCAT-J473Z-AAF | CAPACITOR CERAMIC | 0.047uF Z 50V F T |
| C307 | CCCT-J103Z-0DF | CAPACITOR CERAMIC | 0.01uF Z 50V F T |
| C413 | CCTT-J120J-0BC | CAPACITOR CERAMIC | 12PF J 50V CH T |
| C414 | CCTT-J120J-0BC | CAPACITOR CERAMIC | 12PF J 50V CH T |
| C419 | CCTT-J470J-0DC | CAPACITOR CERAMIC | 47PF J 50V CH T |

| Ref. No. | Part No. | Description | | | | |
|------------------------|----------------|----------------------|----------|-------------|-------------|-------|
| BLOCK FRONT PCB | | | | | | |
| C420 | CCTT-J470J-ODC | CAPACITOR CERAMIC | 47PF | J 50V | CH T | |
| C403 | CCTT-J680J-0FC | CAPACITOR CERAMIC | 68PF | J 50V | CH T | |
| C404 | CCTT-J680J-0FC | CAPACITOR CERAMIC | 68PF | J 50V | CH T | |
| C409 | CCTT-J681J-0BZ | CAPACITOR CERAMIC | 680PF | J 50V | SL T | |
| C410 | CCTT-J681J-0BZ | CAPACITOR CERAMIC | 680PF | J 50V | SL T | |
| C411 | CEET-C471M-FI1 | CAPACITOR E/ALUMINUM | 470uF | M 6.3V | 8x11.5 | U T |
| C412 | CEET-C471M-FI1 | CAPACITOR E/ALUMINUM | 470uF | M 6.3V | 8x11.5 | U T |
| C428 | CEET-C471M-FI1 | CAPACITOR E/ALUMINUM | 470uF | M 6.3V | 8x11.5 | U T |
| C401 | CEET-F220M-CI0 | CAPACITOR E/ALUMINUM | 22uF | M 25V | 5x11 | T |
| C402 | CEET-F220M-CI0 | CAPACITOR E/ALUMINUM | 22uF | M 25V | 5x11 | T |
| C407 | CEET-F220M-CI0 | CAPACITOR E/ALUMINUM | 22uF | M 25V | 5x11 | T |
| C408 | CEET-F220M-CI0 | CAPACITOR E/ALUMINUM | 22uF | M 25V | 5x11 | T |
| C405 | CEET-F330M-CI0 | CAPACITOR E/ALUMINUM | 33uF | M 25V | 5x11 | T |
| C406 | CEET-F330M-CI0 | CAPACITOR E/ALUMINUM | 33uF | M 25V | 5x11 | T |
| C304 | CEET-F470M-CI0 | CAPACITOR E/ALUMINUM | 47uF | M 25V | 5x11 | T |
| C316 | CEET-F470M-CI0 | CAPACITOR E/ALUMINUM | 47uF | M 25V | 5x11 | T |
| C509 | CEET-F470M-CI0 | CAPACITOR E/ALUMINUM | 47uF | M 25V | 5x11 | T |
| C510 | CEET-F470M-CI0 | CAPACITOR E/ALUMINUM | 47uF | M 25V | 5x11 | T |
| C303 | CEET-JR10M-CI0 | CAPACITOR E/ALUMINUM | 0.1uF | M 50V | 5x11 | T |
| C310 | CEET-J1R0M-CI0 | CAPACITOR E/ALUMINUM | 1.0uF | M 50V | 5x11 | T |
| C427 | CEET-J1R0M-CI0 | CAPACITOR E/ALUMINUM | 1.0uF | M 50V | 5x11 | T |
| C309 | CEET-J100M-CI0 | CAPACITOR E/ALUMINUM | 10uF | M 50V | 5x11 | T |
| C421 | CEET-J100M-CI0 | CAPACITOR E/ALUMINUM | 10uF | M 50V | 5x11 | T |
| C422 | CEET-J100M-CI0 | CAPACITOR E/ALUMINUM | 10uF | M 50V | 5x11 | T |
| C425 | CEET-J100M-CI0 | CAPACITOR E/ALUMINUM | 10uF | M 50V | 5x11 | T |
| C426 | CEET-J100M-CI0 | CAPACITOR E/ALUMINUM | 10uF | M 50V | 5x11 | T |
| C505 | CEET-J100M-CI0 | CAPACITOR E/ALUMINUM | 10uF | M 50V | 5x11 | T |
| C506 | CEET-J100M-CI0 | CAPACITOR E/ALUMINUM | 10uF | M 50V | 5x11 | T |
| C507 | CEET-J100M-CI0 | CAPACITOR E/ALUMINUM | 10uF | M 50V | 5x11 | T |
| C508 | CEET-J100M-CI0 | CAPACITOR E/ALUMINUM | 10uF | M 50V | 5x11 | T |
| C423 | CEET-J4R7M-CI0 | CAPACITOR E/ALUMINUM | 4.7uF | M 50V | 5x11 | T |
| C424 | CEET-J4R7M-CI0 | CAPACITOR E/ALUMINUM | 4.7uF | M 50V | 5x11 | T |
| C313 | CEET-J470M-DI0 | CAPACITOR E/ALUMINUM | 47uF | M 50V | 6.3x11 | T |
| C415 | CEET-L331M-DI1 | CAPACITOR E/ALUMINUM | 330uF | M 63V | 10x20 | SHL T |
| C416 | CEET-L331M-DI1 | CAPACITOR E/ALUMINUM | 330uF | M 63V | 10x20 | SHL T |
| C417 | CEET-L331M-DI1 | CAPACITOR E/ALUMINUM | 330uF | M 63V | 10x20 | SHL T |
| C418 | CEET-L331M-DI1 | CAPACITOR E/ALUMINUM | 330uF | M 63V | 10x20 | SHL T |
| C301 | CEGT-B104J-OJ0 | CAPACITOR E/DO LAYER | 0.1F | J 5.5V | SCDA5R5104A | T |
| C511 | CFMT-N183J-EK0 | CAPACITOR F/POLYESTR | 0.018uF | J 100V | 7.3x13 | T |
| C512 | CFMT-N183J-EK0 | CAPACITOR F/POLYESTR | 0.018uF | J 100V | 7.3x13 | T |
| C517 | CFMT-N183J-EK0 | CAPACITOR F/POLYESTR | 0.018uF | J 100V | 7.3x13 | T |
| C518 | CFMT-N183J-EK0 | CAPACITOR F/POLYESTR | 0.018uF | J 100V | 7.3x13 | T |
| C515 | CFMT-N392J-DJ0 | CAPACITOR F/POLYESTR | 0.0039uF | J 100V | 5.8x12 | T |
| C516 | CFMT-N392J-DJ0 | CAPACITOR F/POLYESTR | 0.0039uF | J 100V | 5.8x12 | T |
| C513 | CFMT-N823J-IK0 | CAPACITOR F/POLYESTR | 0.082uF | J 100V | 10.6x14 | T |
| C514 | CFMT-N823J-IK0 | CAPACITOR F/POLYESTR | 0.082uF | J 100V | 10.6x14 | T |
| D301 | DDTS-00070-SO0 | DIODE-SI | 1SS133 | (40V 0.11A) | DO-40 | T |
| D302 | DDTS-00070-SO0 | DIODE-SI | 1SS133 | (40V 0.11A) | DO-40 | T |
| D303 | DDTS-00070-SO0 | DIODE-SI | 1SS133 | (40V 0.11A) | DO-40 | T |
| D304 | DDTS-00070-SO0 | DIODE-SI | 1SS133 | (40V 0.11A) | DO-40 | T |
| D306 | DDTS-00070-SO0 | DIODE-SI | 1SS133 | (40V 0.11A) | DO-40 | T |
| D307 | DDTS-00070-SO0 | DIODE-SI | 1SS133 | (40V 0.11A) | DO-40 | T |
| D308 | DDTS-00070-SO0 | DIODE-SI | 1SS133 | (40V 0.11A) | DO-40 | T |
| D309 | DDTS-00070-SO0 | DIODE-SI | 1SS133 | (40V 0.11A) | DO-40 | T |
| D310 | DDTS-00070-SO0 | DIODE-SI | 1SS133 | (40V 0.11A) | DO-40 | T |

| Ref. No. | Part No. | Description | |
|------------------------|----------------|----------------------|----------------------------|
| BLOCK FRONT PCB | | | |
| D311 | DDTS-00070-SO0 | DIODE-SI | 1SS133 (40V 0.11A) DO-40 T |
| D312 | DDTS-00070-SO0 | DIODE-SI | 1SS133 (40V 0.11A) DO-40 T |
| D401 | DDTS-00070-SO0 | DIODE-SI | 1SS133 (40V 0.11A) DO-40 T |
| D402 | DDTS-00070-SO0 | DIODE-SI | 1SS133 (40V 0.11A) DO-40 T |
| D403 | DDTS-00070-SO0 | DIODE-SI | 1SS133 (40V 0.11A) DO-40 T |
| D404 | DDTS-00070-SO0 | DIODE-SI | 1SS133 (40V 0.11A) DO-40 T |
| D405 | DDTS-00070-SO0 | DIODE-SI | 1SS133 (40V 0.11A) DO-40 T |
| D305 | DDTZ-G075B-SO0 | DIODE ZENER | MTZ7.5B 7.07-7.45 DO40 T |
| D406 | DDTZ-G091B-SO0 | DIODE ZENER | MTZ9.1B 9.01 DO40 T |
| FL301 | DPFL-00780-000 | VFD | HNA-16LL15 |
| LD802 | DPLE-00210-YG0 | DISPLAY-LED | SM3511 |
| LD301 | DPLE-00211-GG0 | DISPLAY-LED | SM3511(F2T) |
| LD302 | DPLE-00211-GG0 | DISPLAY-LED | SM3511(F2T) |
| LD303 | DPLE-00211-GG0 | DISPLAY-LED | SM3511(F2T) |
| LD304 | DPLE-00211-GG0 | DISPLAY-LED | SM3511(F2T) |
| LD305 | DPLE-00211-GG0 | DISPLAY-LED | SM3511(F2T) |
| LD306 | DPLE-00211-GG0 | DISPLAY-LED | SM3511(F2T) |
| LD801 | DPLE-00280-RG0 | DISPLAY-LED | SAM5270 RED/GRN |
| IC304 | ICCM-01500-SB0 | IC MEMORY LSI | BR24C04-W DIP8 |
| IC703 | ICHY-00370-U80 | IC REMOTE RECEIVER | HI-M602H0 |
| IC301 | ICMP-03870-S20 | IC (U-COM) | UPD780204GF-084-3BA |
| IC303 | ICOP-00210-SD0 | IC RESET | KIA7042P/F 4.2V TO-92 |
| IC501 | ICOP-03150-SG0 | IC OP AMP | NJM2068M SOP8 |
| L302 | KIBK-00190-E40 | COIL-AUDIO CHOCK | 0.7uH COIL-CHOCK |
| L401 | KIBK-00190-E40 | COIL-AUDIO CHOCK | 0.7uH COIL-CHOCK |
| CN402 | KNCW-00140-2TM | CONNECTOR-WAFER | 5267-02A 2.5mm MILK |
| CN401 | KNCW-00140-3TM | CONNECTOR-WAFER | 5267-03A 2.5mm MILK |
| CN302 | KNCW-00160-5S9 | CONNECTOR-WAFER | 53015-0510 2mm-WHT |
| CN301 | KNCW-00823-KS9 | CONNECTOR WAFER | 6216-20PRA |
| CN801 | KNCW-00990-2T9 | CONNECTOR-WAFER | JE202A-1T-02 |
| Z301 | KTRE-00171-042 | RESONATOR | CST4.19MGW-TF01 |
| | MEAC-08212-004 | RADIATOR | |
| | MRAG-13830-004 | CUSHION-FL | EVA T=5.0 |
| | MRAG-13840-004 | CUSHION-REMOTE | EVA T=11.0 |
| | PCSR-05400-11B | PCB-SINGLE | A1R-540 330x247x1.6t |
| R319 | RCFT-E100J-000 | RESISTOR-CARBON FILM | 10ohm 1/5W 5% T |
| R346 | RCFT-E100J-000 | RESISTOR-CARBON FILM | 10ohm 1/5W 5% T |
| R317 | RCFT-E101J-000 | RESISTOR-CARBON FILM | 100ohm 1/5W 5% T |
| R318 | RCFT-E101J-000 | RESISTOR-CARBON FILM | 100ohm 1/5W 5% T |
| R495 | RCFT-E102J-000 | RESISTOR-CARBON FILM | 1Kohm 1/5W 5% T |
| R304 | RCFT-E103J-000 | RESISTOR-CARBON FILM | 10Kohm 1/5W 5% T |
| R345 | RCFT-E103J-000 | RESISTOR-CARBON FILM | 10Kohm 1/5W 5% T |
| R405 | RCFT-E103J-000 | RESISTOR-CARBON FILM | 10Kohm 1/5W 5% T |
| R406 | RCFT-E103J-000 | RESISTOR-CARBON FILM | 10Kohm 1/5W 5% T |
| R491 | RCFT-E103J-000 | RESISTOR-CARBON FILM | 10Kohm 1/5W 5% T |
| R302 | RCFT-E104J-000 | RESISTOR-CARBON FILM | 100Kohm 1/5W 5% T |
| R305 | RCFT-E104J-000 | RESISTOR-CARBON FILM | 100Kohm 1/5W 5% T |
| R337 | RCFT-E104J-000 | RESISTOR-CARBON FILM | 100Kohm 1/5W 5% T |
| R338 | RCFT-E104J-000 | RESISTOR-CARBON FILM | 100Kohm 1/5W 5% T |
| R339 | RCFT-E104J-000 | RESISTOR-CARBON FILM | 100Kohm 1/5W 5% T |
| R340 | RCFT-E104J-000 | RESISTOR-CARBON FILM | 100Kohm 1/5W 5% T |
| R341 | RCFT-E104J-000 | RESISTOR-CARBON FILM | 100Kohm 1/5W 5% T |
| R342 | RCFT-E104J-000 | RESISTOR-CARBON FILM | 100Kohm 1/5W 5% T |
| R343 | RCFT-E104J-000 | RESISTOR-CARBON FILM | 100Kohm 1/5W 5% T |
| R344 | RCFT-E104J-000 | RESISTOR-CARBON FILM | 100Kohm 1/5W 5% T |

| Ref. No. | Part No. | Description | |
|------------------------|----------------|----------------------|-------------------|
| BLOCK FRONT PCB | | | |
| R488 | RCFT-E104J-000 | RESISTOR-CARBON FILM | 100Kohm 1/5W 5% T |
| R492 | RCFT-E104J-000 | RESISTOR-CARBON FILM | 100Kohm 1/5W 5% T |
| R501 | RCFT-E104J-000 | RESISTOR-CARBON FILM | 100Kohm 1/5W 5% T |
| R502 | RCFT-E104J-000 | RESISTOR-CARBON FILM | 100Kohm 1/5W 5% T |
| R511 | RCFT-E104J-000 | RESISTOR-CARBON FILM | 100Kohm 1/5W 5% T |
| R512 | RCFT-E104J-000 | RESISTOR-CARBON FILM | 100Kohm 1/5W 5% T |
| R306 | RCFT-E105J-000 | RESISTOR-CARBON FILM | 1Mohm 1/5W 5% T |
| R503 | RCFT-E105J-000 | RESISTOR-CARBON FILM | 1Mohm 1/5W 5% T |
| R504 | RCFT-E105J-000 | RESISTOR-CARBON FILM | 1Mohm 1/5W 5% T |
| R425 | RCFT-E122J-000 | RESISTOR-CARBON FILM | 1.2Kohm 1/5W 5% T |
| R426 | RCFT-E122J-000 | RESISTOR-CARBON FILM | 1.2Kohm 1/5W 5% T |
| R455 | RCFT-E122J-000 | RESISTOR-CARBON FILM | 1.2Kohm 1/5W 5% T |
| R456 | RCFT-E122J-000 | RESISTOR-CARBON FILM | 1.2Kohm 1/5W 5% T |
| R415 | RCFT-E150J-000 | RESISTOR-CARBON FILM | 15ohm 1/5W 5% T |
| R416 | RCFT-E150J-000 | RESISTOR-CARBON FILM | 15ohm 1/5W 5% T |
| R417 | RCFT-E150J-000 | RESISTOR-CARBON FILM | 15ohm 1/5W 5% T |
| R418 | RCFT-E150J-000 | RESISTOR-CARBON FILM | 15ohm 1/5W 5% T |
| R407 | RCFT-E151J-000 | RESISTOR-CARBON FILM | 150ohm 1/5W 5% T |
| R408 | RCFT-E151J-000 | RESISTOR-CARBON FILM | 150ohm 1/5W 5% T |
| R471 | RCFT-E152J-000 | RESISTOR-CARBON FILM | 1.5Kohm 1/5W 5% T |
| R472 | RCFT-E152J-000 | RESISTOR-CARBON FILM | 1.5Kohm 1/5W 5% T |
| R490 | RCFT-E152J-000 | RESISTOR-CARBON FILM | 1.5Kohm 1/5W 5% T |
| R494 | RCFT-E153J-000 | RESISTOR-CARBON FILM | 15Kohm 1/5W 5% T |
| R320 | RCFT-E181J-000 | RESISTOR-CARBON FILM | 180ohm 1/5W 5% T |
| R321 | RCFT-E181J-000 | RESISTOR-CARBON FILM | 180ohm 1/5W 5% T |
| R322 | RCFT-E181J-000 | RESISTOR-CARBON FILM | 180ohm 1/5W 5% T |
| R323 | RCFT-E181J-000 | RESISTOR-CARBON FILM | 180ohm 1/5W 5% T |
| R324 | RCFT-E181J-000 | RESISTOR-CARBON FILM | 180ohm 1/5W 5% T |
| R325 | RCFT-E181J-000 | RESISTOR-CARBON FILM | 180ohm 1/5W 5% T |
| R469 | RCFT-E182J-000 | RESISTOR-CARBON FILM | 1.8Kohm 1/5W 5% T |
| R470 | RCFT-E182J-000 | RESISTOR-CARBON FILM | 1.8Kohm 1/5W 5% T |
| R507 | RCFT-E203J-000 | RESISTOR-CARBON FILM | 20Kohm 1/5W 5% T |
| R508 | RCFT-E203J-000 | RESISTOR-CARBON FILM | 20Kohm 1/5W 5% T |
| R519 | RCFT-E221J-000 | RESISTOR-CARBON FILM | 220ohm 1/5W 5% T |
| R520 | RCFT-E221J-000 | RESISTOR-CARBON FILM | 220ohm 1/5W 5% T |
| R513 | RCFT-E222J-000 | RESISTOR-CARBON FILM | 2.2Kohm 1/5W 5% T |
| R514 | RCFT-E222J-000 | RESISTOR-CARBON FILM | 2.2Kohm 1/5W 5% T |
| R517 | RCFT-E222J-000 | RESISTOR-CARBON FILM | 2.2Kohm 1/5W 5% T |
| R518 | RCFT-E222J-000 | RESISTOR-CARBON FILM | 2.2Kohm 1/5W 5% T |
| R301 | RCFT-E223J-000 | RESISTOR-CARBON FILM | 22Kohm 1/5W 5% T |
| R303 | RCFT-E223J-000 | RESISTOR-CARBON FILM | 22Kohm 1/5W 5% T |
| R334 | RCFT-E223J-000 | RESISTOR-CARBON FILM | 22Kohm 1/5W 5% T |
| R335 | RCFT-E223J-000 | RESISTOR-CARBON FILM | 22Kohm 1/5W 5% T |
| R336 | RCFT-E223J-000 | RESISTOR-CARBON FILM | 22Kohm 1/5W 5% T |
| R451 | RCFT-E223J-000 | RESISTOR-CARBON FILM | 22Kohm 1/5W 5% T |
| R452 | RCFT-E223J-000 | RESISTOR-CARBON FILM | 22Kohm 1/5W 5% T |
| R453 | RCFT-E223J-000 | RESISTOR-CARBON FILM | 22Kohm 1/5W 5% T |
| R454 | RCFT-E223J-000 | RESISTOR-CARBON FILM | 22Kohm 1/5W 5% T |
| R493 | RCFT-E223J-000 | RESISTOR-CARBON FILM | 22Kohm 1/5W 5% T |
| R477 | RCFT-E243J-000 | RESISTOR-CARBON FILM | 24Kohm 1/5W 5% T |
| R478 | RCFT-E243J-000 | RESISTOR-CARBON FILM | 24Kohm 1/5W 5% T |
| R313 | RCFT-E271J-000 | RESISTOR-CARBON FILM | 270ohm 1/5W 5% T |
| R315 | RCFT-E271J-000 | RESISTOR-CARBON FILM | 270ohm 1/5W 5% T |
| R463 | RCFT-E3R3J-000 | RESISTOR-CARBON FILM | 3.3ohm 1/5W 5% T |
| R464 | RCFT-E3R3J-000 | RESISTOR-CARBON FILM | 3.3ohm 1/5W 5% T |

| Ref. No. | Part No. | Description | |
|------------------------|----------------|----------------------|-------------------|
| BLOCK FRONT PCB | | | |
| R465 | RCFT-E3R3J-000 | RESISTOR-CARBON FILM | 3.3ohm 1/5W 5% T |
| R466 | RCFT-E3R3J-000 | RESISTOR-CARBON FILM | 3.3ohm 1/5W 5% T |
| R401 | RCFT-E331J-000 | RESISTOR-CARBON FILM | 330ohm 1/5W 5% T |
| R402 | RCFT-E331J-000 | RESISTOR-CARBON FILM | 330ohm 1/5W 5% T |
| R489 | RCFT-E332J-000 | RESISTOR-CARBON FILM | 3.3Kohm 1/5W 5% T |
| R316 | RCFT-E333J-000 | RESISTOR-CARBON FILM | 33Kohm 1/5W 5% T |
| R403 | RCFT-E333J-000 | RESISTOR-CARBON FILM | 33Kohm 1/5W 5% T |
| R404 | RCFT-E333J-000 | RESISTOR-CARBON FILM | 33Kohm 1/5W 5% T |
| R427 | RCFT-E333J-000 | RESISTOR-CARBON FILM | 33Kohm 1/5W 5% T |
| R428 | RCFT-E333J-000 | RESISTOR-CARBON FILM | 33Kohm 1/5W 5% T |
| R492 | RCFT-E333J-000 | RESISTOR-CARBON FILM | 33Kohm 1/5W 5% T |
| R496 | RCFT-E333J-000 | RESISTOR-CARBON FILM | 33Kohm 1/5W 5% T |
| R497 | RCFT-E333J-000 | RESISTOR-CARBON FILM | 33Kohm 1/5W 5% T |
| R479 | RCFT-E390J-000 | RESISTOR-CARBON FILM | 39ohm 1/5W 5% T |
| R480 | RCFT-E390J-000 | RESISTOR-CARBON FILM | 39ohm 1/5W 5% T |
| R481 | RCFT-E390J-000 | RESISTOR-CARBON FILM | 39ohm 1/5W 5% T |
| R482 | RCFT-E390J-000 | RESISTOR-CARBON FILM | 39ohm 1/5W 5% T |
| R483 | RCFT-E390J-000 | RESISTOR-CARBON FILM | 39ohm 1/5W 5% T |
| R484 | RCFT-E390J-000 | RESISTOR-CARBON FILM | 39ohm 1/5W 5% T |
| R485 | RCFT-E390J-000 | RESISTOR-CARBON FILM | 39ohm 1/5W 5% T |
| R486 | RCFT-E390J-000 | RESISTOR-CARBON FILM | 39ohm 1/5W 5% T |
| R509 | RCFT-E432J-000 | RESISTOR-CARBON FILM | 4.3Kohm 1/5W 5% T |
| R510 | RCFT-E432J-000 | RESISTOR-CARBON FILM | 4.3Kohm 1/5W 5% T |
| R505 | RCFT-E471J-000 | RESISTOR-CARBON FILM | 470ohm 1/5W 5% T |
| R506 | RCFT-E471J-000 | RESISTOR-CARBON FILM | 470ohm 1/5W 5% T |
| R309 | RCFT-E472J-000 | RESISTOR-CARBON FILM | 4.7Kohm 1/5W 5% T |
| R310 | RCFT-E472J-000 | RESISTOR-CARBON FILM | 4.7Kohm 1/5W 5% T |
| R311 | RCFT-E472J-000 | RESISTOR-CARBON FILM | 4.7Kohm 1/5W 5% T |
| R312 | RCFT-E472J-000 | RESISTOR-CARBON FILM | 4.7Kohm 1/5W 5% T |
| R441 | RCFT-E472J-000 | RESISTOR-CARBON FILM | 4.7Kohm 1/5W 5% T |
| R442 | RCFT-E472J-000 | RESISTOR-CARBON FILM | 4.7Kohm 1/5W 5% T |
| R307 | RCFT-E473J-000 | RESISTOR-CARBON FILM | 47Kohm 1/5W 5% T |
| R326 | RCFT-E473J-000 | RESISTOR-CARBON FILM | 47Kohm 1/5W 5% T |
| R327 | RCFT-E473J-000 | RESISTOR-CARBON FILM | 47Kohm 1/5W 5% T |
| R328 | RCFT-E473J-000 | RESISTOR-CARBON FILM | 47Kohm 1/5W 5% T |
| R329 | RCFT-E473J-000 | RESISTOR-CARBON FILM | 47Kohm 1/5W 5% T |
| R331 | RCFT-E473J-000 | RESISTOR-CARBON FILM | 47Kohm 1/5W 5% T |
| R333 | RCFT-E473J-000 | RESISTOR-CARBON FILM | 47Kohm 1/5W 5% T |
| R314 | RCFT-E561J-000 | RESISTOR-CARBON FILM | 560ohm 1/5W 5% T |
| R429 | RCFT-E561J-000 | RESISTOR-CARBON FILM | 560ohm 1/5W 5% T |
| R430 | RCFT-E561J-000 | RESISTOR-CARBON FILM | 560ohm 1/5W 5% T |
| R431 | RCFT-E561J-000 | RESISTOR-CARBON FILM | 560ohm 1/5W 5% T |
| R432 | RCFT-E561J-000 | RESISTOR-CARBON FILM | 560ohm 1/5W 5% T |
| R433 | RCFT-E561J-000 | RESISTOR-CARBON FILM | 560ohm 1/5W 5% T |
| R434 | RCFT-E561J-000 | RESISTOR-CARBON FILM | 560ohm 1/5W 5% T |
| R435 | RCFT-E561J-000 | RESISTOR-CARBON FILM | 560ohm 1/5W 5% T |
| R436 | RCFT-E561J-000 | RESISTOR-CARBON FILM | 560ohm 1/5W 5% T |
| R437 | RCFT-E561J-000 | RESISTOR-CARBON FILM | 560ohm 1/5W 5% T |
| R438 | RCFT-E561J-000 | RESISTOR-CARBON FILM | 560ohm 1/5W 5% T |
| R439 | RCFT-E561J-000 | RESISTOR-CARBON FILM | 560ohm 1/5W 5% T |
| R440 | RCFT-E561J-000 | RESISTOR-CARBON FILM | 560ohm 1/5W 5% T |
| R473 | RCFT-E561J-000 | RESISTOR-CARBON FILM | 560ohm 1/5W 5% T |
| R474 | RCFT-E561J-000 | RESISTOR-CARBON FILM | 560ohm 1/5W 5% T |
| R515 | RCFT-E561J-000 | RESISTOR-CARBON FILM | 560ohm 1/5W 5% T |
| R516 | RCFT-E561J-000 | RESISTOR-CARBON FILM | 560ohm 1/5W 5% T |

| Ref. No. | Part No. | Description | |
|------------------------|----------------|----------------------|--------------------------|
| BLOCK FRONT PCB | | | |
| R409 | RCFT-E680J-000 | RESISTOR-CARBON FILM | 68ohm 1/5W 5% T |
| R410 | RCFT-E680J-000 | RESISTOR-CARBON FILM | 68ohm 1/5W 5% T |
| R419 | RCFT-E681J-000 | RESISTOR-CARBON FILM | 680ohm 1/5W 5% T |
| R420 | RCFT-E681J-000 | RESISTOR-CARBON FILM | 680ohm 1/5W 5% T |
| R475 | RCFT-E682J-000 | RESISTOR-CARBON FILM | 6.8Kohm 1/5W 5% T |
| R476 | RCFT-E682J-000 | RESISTOR-CARBON FILM | 6.8Kohm 1/5W 5% T |
| R487 | RCFT-E683J-000 | RESISTOR-CARBON FILM | 68Kohm 1/5W 5% T |
| R421 | RCFT-E751J-000 | RESISTOR-CARBON FILM | 750ohm 1/5W 5% T |
| R422 | RCFT-E751J-000 | RESISTOR-CARBON FILM | 750ohm 1/5W 5% T |
| R423 | RCFT-E751J-000 | RESISTOR-CARBON FILM | 750ohm 1/5W 5% T |
| R424 | RCFT-E751J-000 | RESISTOR-CARBON FILM | 750ohm 1/5W 5% T |
| R443 | RCFT-E820J-000 | RESISTOR-CARBON FILM | 82ohm 1/5W 5% T |
| R444 | RCFT-E820J-000 | RESISTOR-CARBON FILM | 82ohm 1/5W 5% T |
| R445 | RCFT-E820J-000 | RESISTOR-CARBON FILM | 82ohm 1/5W 5% T |
| R446 | RCFT-E820J-000 | RESISTOR-CARBON FILM | 82ohm 1/5W 5% T |
| R461 | RCFT-E820J-000 | RESISTOR-CARBON FILM | 82ohm 1/5W 5% T |
| R462 | RCFT-E820J-000 | RESISTOR-CARBON FILM | 82ohm 1/5W 5% T |
| R457 | RCFT-E821J-000 | RESISTOR-CARBON FILM | 820ohm 1/5W 5% T |
| R458 | RCFT-E821J-000 | RESISTOR-CARBON FILM | 820ohm 1/5W 5% T |
| R459 | RCFT-E821J-000 | RESISTOR-CARBON FILM | 820ohm 1/5W 5% T |
| R460 | RCFT-E821J-000 | RESISTOR-CARBON FILM | 820ohm 1/5W 5% T |
| | RJWT-00000-AA0 | RESISTOR-JUMPER WIRE | 60mm-TX123 F |
| R467 | RMFT-LR27J-OJO | RESISTOR-METAL PLATE | 0.27ohm 5W 5% MPR |
| R468 | RMFT-LR27J-OJO | RESISTOR-METAL PLATE | 0.27ohm 5W 5% MPR |
| R801 | RMOH-J221J-040 | RESISTOR-METAL OXIDE | 220ohm 2W 5% H |
| R802 | RMOH-J221J-040 | RESISTOR-METAL OXIDE | 220ohm 2W 5% H |
| R447 | RMOR-H470J-0C0 | RESISTOR-METAL OXIDE | 47ohm 1W 5% ERG(X)1SJ47C |
| R448 | RMOR-H470J-0C0 | RESISTOR-METAL OXIDE | 47ohm 1W 5% ERG(X)1SJ47C |
| R449 | RMOR-H470J-0C0 | RESISTOR-METAL OXIDE | 47ohm 1W 5% ERG(X)1SJ47C |
| R450 | RMOR-H470J-0C0 | RESISTOR-METAL OXIDE | 47ohm 1W 5% ERG(X)1SJ47C |
| SW801 | SWPU-00591-059 | SWITCH-PUSH | SDDL13300 |
| SW301 | SWTA-00220-060 | SWITCH-TACT | THVV 502G AA 12V 50mA |
| SW302 | SWTA-00220-060 | SWITCH-TACT | THVV 502G AA 12V 50mA |
| SW303 | SWTA-00220-060 | SWITCH-TACT | THVV 502G AA 12V 50mA |
| SW304 | SWTA-00220-060 | SWITCH-TACT | THVV 502G AA 12V 50mA |
| SW305 | SWTA-00220-060 | SWITCH-TACT | THVV 502G AA 12V 50mA |
| SW306 | SWTA-00220-060 | SWITCH-TACT | THVV 502G AA 12V 50mA |
| SW307 | SWTA-00220-060 | SWITCH-TACT | THVV 502G AA 12V 50mA |
| SW308 | SWTA-00220-060 | SWITCH-TACT | THVV 502G AA 12V 50mA |
| SW309 | SWTA-00220-060 | SWITCH-TACT | THVV 502G AA 12V 50mA |
| SW310 | SWTA-00220-060 | SWITCH-TACT | THVV 502G AA 12V 50mA |
| SW311 | SWTA-00220-060 | SWITCH-TACT | THVV 502G AA 12V 50mA |
| SW312 | SWTA-00220-060 | SWITCH-TACT | THVV 502G AA 12V 50mA |
| SW313 | SWTA-00220-060 | SWITCH-TACT | THVV 502G AA 12V 50mA |
| SW314 | SWTA-00220-060 | SWITCH-TACT | THVV 502G AA 12V 50mA |
| SW315 | SWTA-00220-060 | SWITCH-TACT | THVV 502G AA 12V 50mA |
| SW316 | SWTA-00220-060 | SWITCH-TACT | THVV 502G AA 12V 50mA |
| SW317 | SWTA-00220-060 | SWITCH-TACT | THVV 502G AA 12V 50mA |
| SW318 | SWTA-00220-060 | SWITCH-TACT | THVV 502G AA 12V 50mA |
| SW802 | SWTA-00220-060 | SWITCH-TACT | THVV 502G AA 12V 50mA |
| Q423 | TRSA-01450-SJO | TRANSISTOR N-H FREQ | 2SA1859A |
| Q424 | TRSA-01450-SJO | TRANSISTOR N-H FREQ | 2SA1859A |
| Q421 | TRSC-01540-SJO | TRANSISTOR N-H FREQ | 2SC4883A |
| Q422 | TRSC-01540-SJO | TRANSISTOR N-H FREQ | 2SC4883A |
| Q401 | TRTA-0011G-SD0 | TRANSISTOR P-H FREQ | KTA1268-GR TO92 |

| Ref. No. | Part No. | Description | | |
|------------------------|----------------|---------------------|------------------|----------------|
| BLOCK FRONT PCB | | | | |
| Q402 | TRTA-0011G-SDO | TRANSISTOR P-H FREQ | KTA1268-GR | TO92 |
| Q403 | TRTA-0011G-SDO | TRANSISTOR P-H FREQ | KTA1268-GR | TO92 |
| Q404 | TRTA-0011G-SDO | TRANSISTOR P-H FREQ | KTA1268-GR | TO92 |
| Q405 | TRTA-0011G-SDO | TRANSISTOR P-H FREQ | KTA1268-GR | TO92 |
| Q406 | TRTA-0011G-SDO | TRANSISTOR P-H FREQ | KTA1268-GR | TO92 |
| Q407 | TRTA-0011G-SDO | TRANSISTOR P-H FREQ | KTA1268-GR | TO92 |
| Q408 | TRTA-0011G-SDO | TRANSISTOR P-H FREQ | KTA1268-GR | TO92 |
| Q413 | TRTA-0011G-SDO | TRANSISTOR P-H FREQ | KTA1268-GR | TO92 |
| Q414 | TRTA-0011G-SDO | TRANSISTOR P-H FREQ | KTA1268-GR | TO92 |
| Q431 | TRTA-0011G-SDO | TRANSISTOR P-H FREQ | KTA1268-GR | TO92 |
| Q415 | TRTA-0013Y-SDO | TRANSISTOR N-H FREQ | KTA1024-Y | |
| Q416 | TRTA-0013Y-SDO | TRANSISTOR N-H FREQ | KTA1024-Y | |
| Q409 | TRTC-0015G-SDO | TRANSISTOR N-H FREQ | KTC3200-GR | TO92 |
| Q410 | TRTC-0015G-SDO | TRANSISTOR N-H FREQ | KTC3200-GR | TO92 |
| Q411 | TRTC-0015G-SDO | TRANSISTOR N-H FREQ | KTC3200-GR | TO92 |
| Q412 | TRTC-0015G-SDO | TRANSISTOR N-H FREQ | KTC3200-GR | TO92 |
| Q429 | TRTC-0015G-SDO | TRANSISTOR N-H FREQ | KTC3200-GR | TO92 |
| Q430 | TRTC-0015G-SDO | TRANSISTOR N-H FREQ | KTC3200-GR | TO92 |
| Q301 | TRTC-0016G-SDO | TRANSISTOR N-H FREQ | KTC3198-GR | TO92 |
| Q432 | TRTC-0016G-SDO | TRANSISTOR N-H FREQ | KTC3198-GR | TO92 |
| Q433 | TRTC-0016G-SDO | TRANSISTOR N-H FREQ | KTC3198-GR | TO92 |
| Q434 | TRTC-0016G-SDO | TRANSISTOR N-H FREQ | KTC3198-GR | TO92 |
| Q417 | TRTC-0087Y-SDO | TRANSISTOR N-H FREQ | KTC3206-Y | TO92L |
| Q418 | TRTC-0087Y-SDO | TRANSISTOR N-H FREQ | KTC3206-Y | TO92L |
| Q302 | TRTC-01700-SDO | TRANSISTOR N-H FREQ | KRC107M | W/RESIST TO92M |
| Q303 | TRTC-01700-SDO | TRANSISTOR N-H FREQ | KRC107M | W/RESIST TO92M |
| Q304 | TRTC-01700-SDO | TRANSISTOR N-H FREQ | KRC107M | W/RESIST TO92M |
| Q305 | TRTC-01700-SDO | TRANSISTOR N-H FREQ | KRC107M | W/RESIST TO92M |
| Q306 | TRTC-01700-SDO | TRANSISTOR N-H FREQ | KRC107M | W/RESIST TO92M |
| Q435 | TRTC-01700-SDO | TRANSISTOR N-H FREQ | KRC107M | W/RESIST TO92M |
| | UA10-9M412-200 | WIRE-ASS'Y | 1007#20 | WHT-120 10P |
| | UM08-A1033-000 | WIRE-ASS'Y | 1533#28/1007#26- | 150 10P |
| | UM08-41035-000 | WIRE-ASS'Y | 1533#28- | 180 4P |
| | U1T1-0GN20-T10 | WIRE-ASS'Y | HIGH WRAP#22 | BLK 200 |
| | U208-2K815-000 | WIRE-ASS'Y | 20080#28 | RED-150 2P |
| | U245-91327-450 | WIRE-ASS'Y | 1007#18- | 270 2P |
| | U508-4M716-200 | WIRE-ASS'Y | 1007#26 | YEL-160 5P |
| | U710-6M742-200 | WIRE-ASS'Y | 1007#26 | BLU-420 |
| VR503 | VRAE-P049W-104 | VR-ROTARY | RK11K1160106- | 100KW |
| VR501 | VRAE-P050C-104 | VR-ROTARY | RK14K1260106- | 100KCx2 |
| VR502 | VRAE-P050C-104 | VR-ROTARY | RK14K1260106- | 100KCx2 |
| CF602 | BTCE-00040-107 | FILTER-CERAMIC | SFE10.7MS2-A- | TF21 |
| CF603 | BTCE-00040-107 | FILTER-CERAMIC | SFE10.7MS2-A- | TF21 |
| CF604 | BTCE-00450-045 | FILTER-CERAMIC | AHCFM2- | 450AL |
| C707 | CCAT-F103Z-AAF | CAPACITOR CERAMIC | 0.01uF | Z 25V F T |
| C708 | CCAT-F103Z-AAF | CAPACITOR CERAMIC | 0.01uF | Z 25V F T |
| C709 | CCAT-F103Z-AAF | CAPACITOR CERAMIC | 0.01uF | Z 25V F T |
| C710 | CCAT-F103Z-AAF | CAPACITOR CERAMIC | 0.01uF | Z 25V F T |
| C706 | CCAT-F223Z-AAF | CAPACITOR CERAMIC | 0.022uF | Z 25V F T |
| C620 | CCAT-J101K-AAB | CAPACITOR CERAMIC | 100PF | K 50V B T |
| C621 | CCAT-J101K-AAB | CAPACITOR CERAMIC | 100PF | K 50V B T |
| C626 | CCAT-J101K-AAB | CAPACITOR CERAMIC | 100PF | K 50V B T |
| C627 | CCAT-J101K-AAB | CAPACITOR CERAMIC | 100PF | K 50V B T |
| C628 | CCAT-J101K-AAB | CAPACITOR CERAMIC | 100PF | K 50V B T |
| C629 | CCAT-J101K-AAB | CAPACITOR CERAMIC | 100PF | K 50V B T |

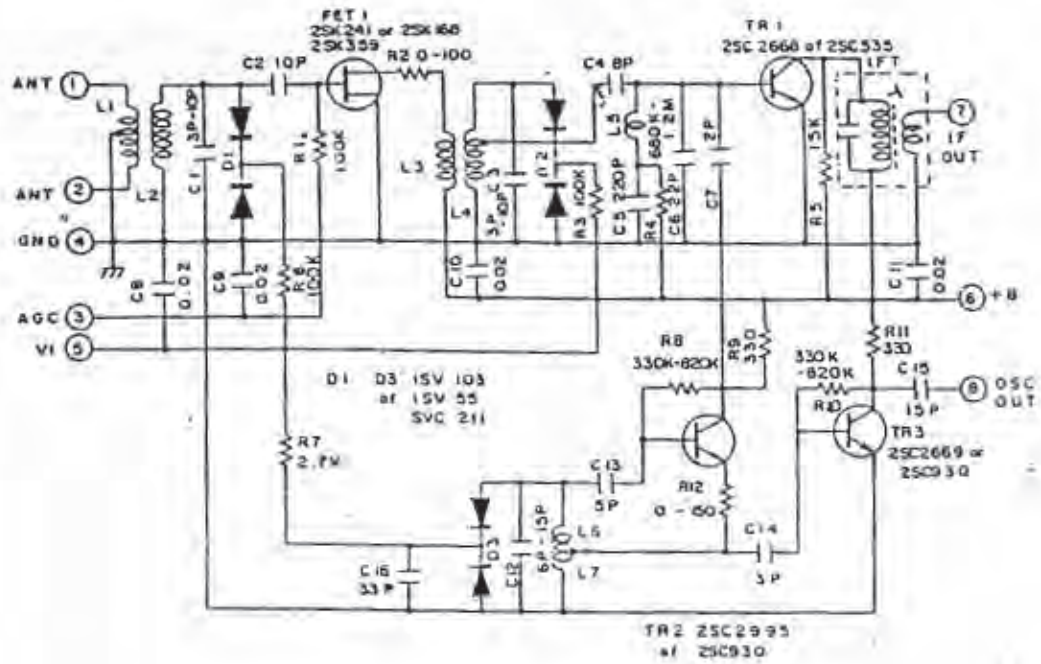
| Ref. No. | Part No. | Description | | | | | |
|------------------------|----------------|----------------------|---------|--------------|----|---|--|
| BLOCK TUNER PCB | | | | | | | |
| C640 | CCAT-J104Z-AAF | CAPACITOR CERAMIC | 0.1uF | Z 50V | F | T | |
| C641 | CCAT-J104Z-AAF | CAPACITOR CERAMIC | 0.1uF | Z 50V | F | T | |
| C642 | CCAT-J104Z-AAF | CAPACITOR CERAMIC | 0.1uF | Z 50V | F | T | |
| C803 | CCAT-J104Z-AAF | CAPACITOR CERAMIC | 0.1uF | Z 50V | F | T | |
| C669 | CCAT-J473Z-AAF | CAPACITOR CERAMIC | 0.047uF | Z 50V | F | T | |
| C711 | CCAT-J473Z-AAF | CAPACITOR CERAMIC | 0.047uF | Z 50V | F | T | |
| C703 | CCAT-J560J-AAZ | CAPACITOR CERAMIC | 56PF | J 50V | SL | T | |
| C704 | CCAT-J560J-AAZ | CAPACITOR CERAMIC | 56PF | J 50V | SL | T | |
| C652 | CCAT-J561K-AAB | CAPACITOR CERAMIC | 560PF | K 50V | B | T | |
| C665 | CCAT-J561K-AAB | CAPACITOR CERAMIC | 560PF | K 50V | B | T | |
| C666 | CCAT-J680J-AAZ | CAPACITOR CERAMIC | 68PF | J 50V | SL | T | |
| C667 | CCAT-J680J-AAZ | CAPACITOR CERAMIC | 68PF | J 50V | SL | T | |
| C613 | CCCT-J103Z-0DF | CAPACITOR CERAMIC | 0.01uF | Z 50V | F | T | |
| C623 | CCCT-J103Z-0DF | CAPACITOR CERAMIC | 0.01uF | Z 50V | F | T | |
| C801 | CCCT-J222K-0DB | CAPACITOR CERAMIC | 2200PF | K 50V | B | T | |
| C802 | CCCT-J222K-0DB | CAPACITOR CERAMIC | 2200PF | K 50V | B | T | |
| C602 | CCCT-J223Z-OFF | CAPACITOR CERAMIC | 0.022uF | Z 50V | F | T | |
| C605 | CCCT-J223Z-OFF | CAPACITOR CERAMIC | 0.022uF | Z 50V | F | T | |
| C606 | CCCT-J223Z-OFF | CAPACITOR CERAMIC | 0.022uF | Z 50V | F | T | |
| C608 | CCCT-J223Z-OFF | CAPACITOR CERAMIC | 0.022uF | Z 50V | F | T | |
| C609 | CCCT-J223Z-OFF | CAPACITOR CERAMIC | 0.022uF | Z 50V | F | T | |
| C610 | CCCT-J223Z-OFF | CAPACITOR CERAMIC | 0.022uF | Z 50V | F | T | |
| C611 | CCCT-J223Z-OFF | CAPACITOR CERAMIC | 0.022uF | Z 50V | F | T | |
| C614 | CCCT-J223Z-OFF | CAPACITOR CERAMIC | 0.022uF | Z 50V | F | T | |
| C615 | CCCT-J223Z-OFF | CAPACITOR CERAMIC | 0.022uF | Z 50V | F | T | |
| C616 | CCCT-J223Z-OFF | CAPACITOR CERAMIC | 0.022uF | Z 50V | F | T | |
| C636 | CCCT-J223Z-OFF | CAPACITOR CERAMIC | 0.022uF | Z 50V | F | T | |
| C639 | CCCT-J223Z-OFF | CAPACITOR CERAMIC | 0.022uF | Z 50V | F | T | |
| C661 | CCCT-J223Z-OFF | CAPACITOR CERAMIC | 0.022uF | Z 50V | F | T | |
| C603 | CCCT-J473Z-OJF | CAPACITOR CERAMIC | 0.047uF | Z 50V | F | T | |
| C619 | CCCT-J473Z-OJF | CAPACITOR CERAMIC | 0.047uF | Z 50V | F | T | |
| C604 | CCTT-J150J-0BC | CAPACITOR CERAMIC | 15PF | J 50V | CH | T | |
| C625 | CCTT-J300J-0CC | CAPACITOR CERAMIC | 30PF | J 50V | CH | T | |
| C634 | CCTT-J331J-0FZ | CAPACITOR CERAMIC | 330PF | J 50V | SL | T | |
| C624 | CCTT-J390J-0DC | CAPACITOR CERAMIC | 39PF | J 50V | CH | T | |
| C651 | CCTT-J681J-0BZ | CAPACITOR CERAMIC | 680PF | J 50V | SL | T | |
| C645 | CEET-E101M-DIO | CAPACITOR E/ALUMINUM | 100uF | M 16V 6.3x11 | | T | |
| C705 | CEET-E101M-DIO | CAPACITOR E/ALUMINUM | 100uF | M 16V 6.3x11 | | T | |
| C601 | CEET-F470M-CIO | CAPACITOR E/ALUMINUM | 47uF | M 25V 5x11 | | T | |
| C612 | CEET-F470M-CIO | CAPACITOR E/ALUMINUM | 47uF | M 25V 5x11 | | T | |
| C618 | CEET-F470M-CIO | CAPACITOR E/ALUMINUM | 47uF | M 25V 5x11 | | T | |
| C622 | CEET-F470M-CIO | CAPACITOR E/ALUMINUM | 47uF | M 25V 5x11 | | T | |
| C638 | CEET-F470M-CIO | CAPACITOR E/ALUMINUM | 47uF | M 25V 5x11 | | T | |
| C701 | CEET-F470M-CIO | CAPACITOR E/ALUMINUM | 47uF | M 25V 5x11 | | T | |
| C702 | CEET-F470M-CIO | CAPACITOR E/ALUMINUM | 47uF | M 25V 5x11 | | T | |
| C607 | CEET-G100M-CIO | CAPACITOR E/ALUMINUM | 10uF | M 35V 5x11 | | T | |
| C647 | CEET-G100M-CIO | CAPACITOR E/ALUMINUM | 10uF | M 35V 5x11 | | T | |
| C648 | CEET-G100M-CIO | CAPACITOR E/ALUMINUM | 10uF | M 35V 5x11 | | T | |
| C664 | CEET-G100M-CIO | CAPACITOR E/ALUMINUM | 10uF | M 35V 5x11 | | T | |
| C663 | CEET-JR22M-CIO | CAPACITOR E/ALUMINUM | 0.22uF | M 50V 5x11 | | T | |
| C630 | CEET-JR47M-CIO | CAPACITOR E/ALUMINUM | 0.47uF | M 50V 5x11 | | T | |
| C632 | CEET-J1R0M-CIO | CAPACITOR E/ALUMINUM | 1.0uF | M 50V 5x11 | | T | |
| C644 | CEET-J1R0M-CIO | CAPACITOR E/ALUMINUM | 1.0uF | M 50V 5x11 | | T | |
| C662 | CEET-J1R0M-CIO | CAPACITOR E/ALUMINUM | 1.0uF | M 50V 5x11 | | T | |
| C633 | CEET-J3R3M-CIO | CAPACITOR E/ALUMINUM | 3.3uF | M 50V 5x11 | | T | |

| Ref. No. | Part No. | Description | | | | |
|------------------------|----------------|----------------------|--------------|------------------|-------------|---|
| BLOCK TUNER PCB | | | | | | |
| C617 | CEET-J4R7M-CIO | CAPACITOR E/ALUMINUM | 4.7uF | M | 50V 5x11 | T |
| C631 | CEET-J4R7M-CIO | CAPACITOR E/ALUMINUM | 4.7uF | M | 50V 5x11 | T |
| C643 | CEET-J4R7M-CIO | CAPACITOR E/ALUMINUM | 4.7uF | M | 50V 5x11 | T |
| C650 | CEET-J4R7M-CIO | CAPACITOR E/ALUMINUM | 4.7uF | M | 50V 5x11 | T |
| C668 | CEET-J4R7M-CIO | CAPACITOR E/ALUMINUM | 4.7uF | M | 50V 5x11 | T |
| C670 | CFMT-N223J-EK0 | CAPACITOR F/POLYESTR | 0.022uF | J | 100V 7.4x13 | T |
| C637 | CFMT-N332J-DJ0 | CAPACITOR F/POLYESTR | 0.0033uF | J | 100V 5.8x12 | T |
| C646 | CFMT-N393J-FK0 | CAPACITOR F/POLYESTR | 0.039uF | J | 100V 8.5x13 | T |
| C671 | CFST-O471J-CJ0 | CAPACITOR F/STYROL | 470PF | J | 125V 5.5x12 | T |
| VD601 | DDSV-00120-S10 | DIODE-VVC | SVC321SPA-C2 | AM8V | DO40S | |
| VD602 | DDSV-00120-S10 | DIODE-VVC | SVC321SPA-C2 | AM8V | DO40S | |
| D601 | DDTS-00070-SO0 | DIODE-SI | 1SS133 | (40V 0.11A) | DO-40 T | |
| D801 | DDTS-00070-SO0 | DIODE-SI | 1SS133 | (40V 0.11A) | DO-40 T | |
| D802 | DDTS-00070-SO0 | DIODE-SI | 1SS133 | (40V 0.11A) | DO-40 T | |
| ZD601 | DDTZ-G051B-SOS | DIODE ZENER | MTZJ5.1B | 4.94-5.20 | DO34 T | |
| D701 | DDTZ-G062B-SOS | DIODE ZENER | MTZJ6.2B | 5.96-6.27 | DO34 T | |
| IC701 | ICDG-00560-SO0 | IC MOTOR DRIVER | BA6208 | SIP9 | | |
| IC603 | ICLN-03610-S10 | IC PLL FM MPX | LA3401 | DIP22 | | |
| IC604 | ICLN-03620-S10 | IC AM/FM IF | LA1266 | DIP24 | | |
| IC602 | ICLN-03680-S10 | IC PLL | LC7218JM | SOP-24 | | |
| T606 | IFFA-00110-E20 | IFT-FM | AFA011 | 7mm-CAN | | |
| T604 | IFFD-00100-E20 | IFT-FM DET | AFD010 | 7mm-CAN | | |
| T605 | KIAA-00260-E20 | COIL-AM IFT | AAA-026 | 7MC-K502713N4-KR | | |
| T603 | KIAO-00460-E20 | COIL-AM OSC | AAO046 | MW 7mm - CAN | | |
| T607 | KIAT-00530-E20 | COIL-AM ANT | AAT053 | MW 7mm - CAN | | |
| T601 | KIML-A0010-E20 | COIL-FM MPX FILTER | AMA001 | 19KHz 10mm-CAN | | |
| T602 | KIML-A0010-E20 | COIL-FM MPX FILTER | AMA001 | 19KHz 10mm-CAN | | |
| CN702 | KNCW-00160-5S9 | CONNECTOR-WAFER | 53015-0510 | 2mm-WHT | | |
| CN701 | KNCW-00240-AT9 | CONNECTOR-WAFER | 53014-10 | 2.0mm WHT | | |
| CW701 | KNCW-00240-AT9 | CONNECTOR-WAFER | 53014-10 | 2.0mm WHT | | |
| CN703 | KNCW-00240-2T9 | CONNECTOR-WAFER | 53014-02 | 2.0mm WHT | | |
| CW802 | KNCW-00240-2T9 | CONNECTOR-WAFER | 53014-02 | 2.0mm WHT | | |
| TP601 | KNCW-01490-2T9 | CONNECTOR-WAFER | JE115-AT-02P | | | |
| TP602 | KNCW-01490-2T9 | CONNECTOR-WAFER | JE115-AT-02P | | | |
| TP603 | KNCW-01490-2T9 | CONNECTOR-WAFER | JE115-AT-02P | | | |
| CH602 | KNCW-01510-ES9 | CONNECTOR-WAFER | 35237-1410 | 2M/M 14P | | |
| X601 | KTAL-00041-072 | CRYSTAL | HC-49/U | 7.200000MHZ | | |
| CF605 | KTRE-00300-288 | RESONATOR | ZTB456F11 | | | |
| R655 | PCSR-01440-31B | PCB-SINGLE | A3R-144 | 247x197x1.6t | | |
| R613 | RCFT-E101J-000 | RESISTOR-CARBON FILM | 100ohm | 1/5W 5% T | | |
| R629 | RCFT-E101J-000 | RESISTOR-CARBON FILM | 100ohm | 1/5W 5% T | | |
| R634 | RCFT-E101J-000 | RESISTOR-CARBON FILM | 100ohm | 1/5W 5% T | | |
| R639 | RCFT-E101J-000 | RESISTOR-CARBON FILM | 100ohm | 1/5W 5% T | | |
| R648 | RCFT-E101J-000 | RESISTOR-CARBON FILM | 100ohm | 1/5W 5% T | | |
| R651 | RCFT-E101J-000 | RESISTOR-CARBON FILM | 100ohm | 1/5W 5% T | | |
| R673 | RCFT-E101J-000 | RESISTOR-CARBON FILM | 100ohm | 1/5W 5% T | | |
| R603 | RCFT-E102J-000 | RESISTOR-CARBON FILM | 1Kohm | 1/5W 5% T | | |
| R611 | RCFT-E102J-000 | RESISTOR-CARBON FILM | 1Kohm | 1/5W 5% T | | |
| R618 | RCFT-E102J-000 | RESISTOR-CARBON FILM | 1Kohm | 1/5W 5% T | | |
| R636 | RCFT-E102J-000 | RESISTOR-CARBON FILM | 1Kohm | 1/5W 5% T | | |
| R637 | RCFT-E102J-000 | RESISTOR-CARBON FILM | 1Kohm | 1/5W 5% T | | |
| R638 | RCFT-E102J-000 | RESISTOR-CARBON FILM | 1Kohm | 1/5W 5% T | | |
| R654 | RCFT-E102J-000 | RESISTOR-CARBON FILM | 1Kohm | 1/5W 5% T | | |
| R658 | RCFT-E102J-000 | RESISTOR-CARBON FILM | 1Kohm | 1/5W 5% T | | |
| R703 | RCFT-E102J-000 | RESISTOR-CARBON FILM | 1Kohm | 1/5W 5% T | | |

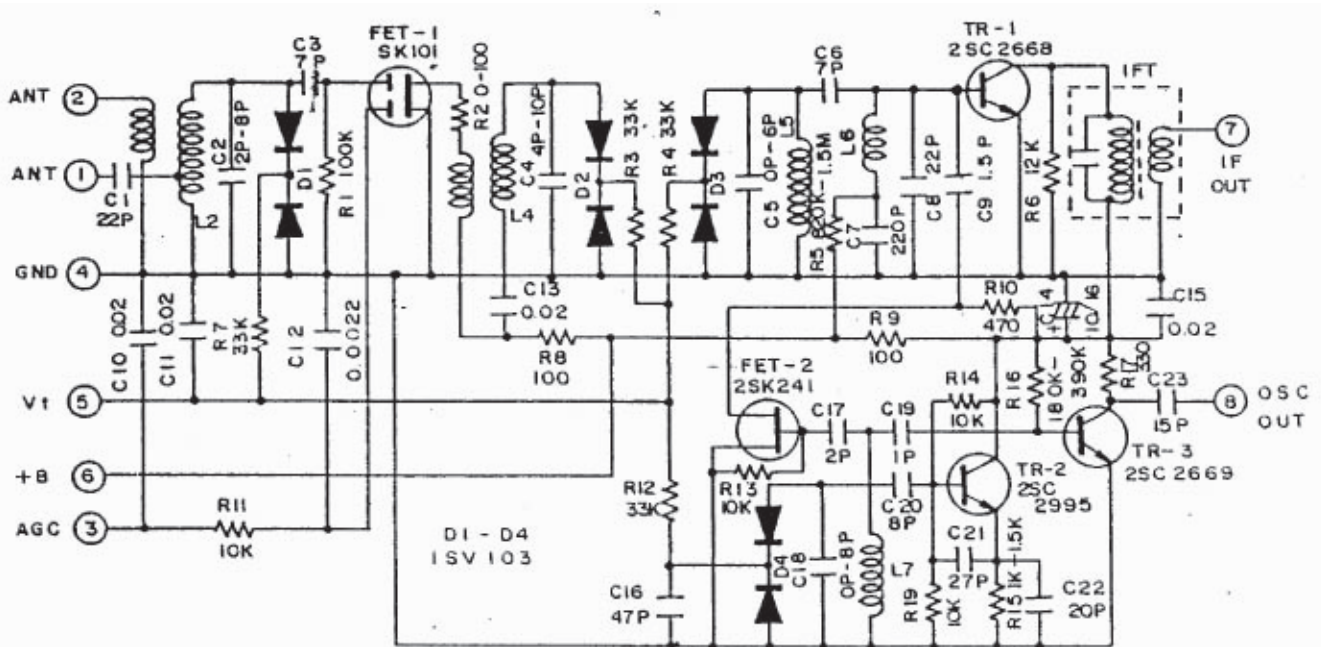
| Ref. No. | Part No. | Description | |
|------------------------|----------------|----------------------|--------------------------|
| BLOCK TUNER PCB | | | |
| R704 | RCFT-E102J-000 | RESISTOR-CARBON FILM | 1Kohm 1/5W 5% T |
| R620 | RCFT-E103J-000 | RESISTOR-CARBON FILM | 10Kohm 1/5W 5% T |
| R622 | RCFT-E103J-000 | RESISTOR-CARBON FILM | 10Kohm 1/5W 5% T |
| R625 | RCFT-E103J-000 | RESISTOR-CARBON FILM | 10Kohm 1/5W 5% T |
| R640 | RCFT-E103J-000 | RESISTOR-CARBON FILM | 10Kohm 1/5W 5% T |
| R643 | RCFT-E103J-000 | RESISTOR-CARBON FILM | 10Kohm 1/5W 5% T |
| R604 | RCFT-E104J-000 | RESISTOR-CARBON FILM | 100Kohm 1/5W 5% T |
| R605 | RCFT-E104J-000 | RESISTOR-CARBON FILM | 100Kohm 1/5W 5% T |
| R612 | RCFT-E122J-000 | RESISTOR-CARBON FILM | 1.2Kohm 1/5W 5% T |
| R675 | RCFT-E124J-000 | RESISTOR-CARBON FILM | 120Kohm 1/5W 5% T |
| R677 | RCFT-E124J-000 | RESISTOR-CARBON FILM | 120Kohm 1/5W 5% T |
| R653 | RCFT-E152J-000 | RESISTOR-CARBON FILM | 1.5Kohm 1/5W 5% T |
| R671 | RCFT-E152J-000 | RESISTOR-CARBON FILM | 1.5Kohm 1/5W 5% T |
| R803 | RCFT-E152J-000 | RESISTOR-CARBON FILM | 1.5Kohm 1/5W 5% T |
| R804 | RCFT-E152J-000 | RESISTOR-CARBON FILM | 1.5Kohm 1/5W 5% T |
| R628 | RCFT-E182J-000 | RESISTOR-CARBON FILM | 1.8Kohm 1/5W 5% T |
| R676 | RCFT-E184J-000 | RESISTOR-CARBON FILM | 180Kohm 1/5W 5% T |
| R678 | RCFT-E184J-000 | RESISTOR-CARBON FILM | 180Kohm 1/5W 5% T |
| R626 | RCFT-E220J-000 | RESISTOR-CARBON FILM | 22ohm 1/5W 5% T |
| R630 | RCFT-E220J-000 | RESISTOR-CARBON FILM | 22ohm 1/5W 5% T |
| R615 | RCFT-E221J-000 | RESISTOR-CARBON FILM | 220ohm 1/5W 5% T |
| R616 | RCFT-E221J-000 | RESISTOR-CARBON FILM | 220ohm 1/5W 5% T |
| R679 | RCFT-E221J-000 | RESISTOR-CARBON FILM | 220ohm 1/5W 5% T |
| R614 | RCFT-E222J-000 | RESISTOR-CARBON FILM | 2.2Kohm 1/5W 5% T |
| R642 | RCFT-E223J-000 | RESISTOR-CARBON FILM | 22Kohm 1/5W 5% T |
| R650 | RCFT-E223J-000 | RESISTOR-CARBON FILM | 22Kohm 1/5W 5% T |
| R619 | RCFT-E271J-000 | RESISTOR-CARBON FILM | 270ohm 1/5W 5% T |
| R705 | RCFT-E271J-000 | RESISTOR-CARBON FILM | 270ohm 1/5W 5% T |
| R627 | RCFT-E273J-000 | RESISTOR-CARBON FILM | 27Kohm 1/5W 5% T |
| R607 | RCFT-E331J-000 | RESISTOR-CARBON FILM | 330ohm 1/5W 5% T |
| R608 | RCFT-E331J-000 | RESISTOR-CARBON FILM | 330ohm 1/5W 5% T |
| R609 | RCFT-E332J-000 | RESISTOR-CARBON FILM | 3.3Kohm 1/5W 5% T |
| R635 | RCFT-E332J-000 | RESISTOR-CARBON FILM | 3.3Kohm 1/5W 5% T |
| R652 | RCFT-E332J-000 | RESISTOR-CARBON FILM | 3.3Kohm 1/5W 5% T |
| R672 | RCFT-E332J-000 | RESISTOR-CARBON FILM | 3.3Kohm 1/5W 5% T |
| R674 | RCFT-E332J-000 | RESISTOR-CARBON FILM | 3.3Kohm 1/5W 5% T |
| R606 | RCFT-E4R7J-000 | RESISTOR-CARBON FILM | 4.7ohm 1/5W 5% T |
| R621 | RCFT-E471J-000 | RESISTOR-CARBON FILM | 470ohm 1/5W 5% T |
| R623 | RCFT-E472J-000 | RESISTOR-CARBON FILM | 4.7Kohm 1/5W 5% T |
| R631 | RCFT-E472J-000 | RESISTOR-CARBON FILM | 4.7Kohm 1/5W 5% T |
| R632 | RCFT-E472J-000 | RESISTOR-CARBON FILM | 4.7Kohm 1/5W 5% T |
| R633 | RCFT-E472J-000 | RESISTOR-CARBON FILM | 4.7Kohm 1/5W 5% T |
| R646 | RCFT-E472J-000 | RESISTOR-CARBON FILM | 4.7Kohm 1/5W 5% T |
| R624 | RCFT-E473J-000 | RESISTOR-CARBON FILM | 47Kohm 1/5W 5% T |
| R647 | RCFT-E473J-000 | RESISTOR-CARBON FILM | 47Kohm 1/5W 5% T |
| R649 | RCFT-E473J-000 | RESISTOR-CARBON FILM | 47Kohm 1/5W 5% T |
| R610 | RCFT-E561J-000 | RESISTOR-CARBON FILM | 560ohm 1/5W 5% T |
| R644 | RCFT-E622J-000 | RESISTOR-CARBON FILM | 6.2Kohm 1/5W 5% T |
| R617 | RCFT-E683J-000 | RESISTOR-CARBON FILM | 68Kohm 1/5W 5% T |
| R702 | RCFT-E821J-000 | RESISTOR-CARBON FILM | 820ohm 1/5W 5% T |
| R645 | RCFT-E823J-000 | RESISTOR-CARBON FILM | 82Kohm 1/5W 5% T |
| R655 | RCFT-G471J-190 | RESISTOR-CARBON FILM | 470ohm 1/2W 5% 2.3x6.5 T |
| | RJWT-00000-AA0 | RESISTOR-JUMPER WIRE | 60mm-TX123 F |
| R701 | RMOH-H820J-100 | MOR | PRO1 1W 82ohm 5% R-SHAP |
| JK801 | SKPH-00293-66W | SOCKET-PHONE | HTJ064-05BG GOLD |

| Ref. No. | Part No. | Description | |
|------------------------|----------------|---------------------|-------------------------|
| BLOCK TUNER PCB | | | |
| ANT601 | TEAT-00143-02S | TERMINAL ANTENNA | SC021039FN |
| Q602 | TRTA-00940-SD0 | TRANSISTOR P-H FREQ | KRA107M W/RESIST TO92M |
| Q604 | TRTA-00940-SD0 | TRANSISTOR P-H FREQ | KRA107M W/RESIST TO92M |
| Q606 | TRTA-00940-SD0 | TRANSISTOR P-H FREQ | KRA107M W/RESIST TO92M |
| Q609 | TRTA-00940-SD0 | TRANSISTOR P-H FREQ | KRA107M W/RESIST TO92M |
| Q601 | TRTC-0010Y-SD0 | TRANSISTOR N-H FREQ | KTC3194-Y TO92 |
| Q607 | TRTC-0016G-SD0 | TRANSISTOR N-H FREQ | KTC3198-GR TO92 |
| Q608 | TRTC-0016G-SD0 | TRANSISTOR N-H FREQ | KTC3198-GR TO92 |
| Q610 | TRTC-0016G-SD0 | TRANSISTOR N-H FREQ | KTC3198-GR TO92 |
| Q701 | TRTC-01060-SD0 | TRANSISTOR N-H FREQ | KTC3203 TO92 |
| Q702 | TRTC-01700-SD0 | TRANSISTOR N-H FREQ | KRC107M W/RESIST TO92M |
| Q603 | TRTD-00200-SD0 | TRANSISTOR N-L FREQ | KTD-1302 TO92 |
| Q605 | TRTD-00200-SD0 | TRANSISTOR N-L FREQ | KTD-1302 TO92 |
| FE601 | TUFF-00232-00K | FM F/E TUNER | FTA3-509HA |
| | UM08-A1034-000 | WIRE-ASS'Y | 1533#28/1007#26-200 10P |
| | U310-2M530-200 | WIRE-ASS'Y | 1007#22 RED-300 3P |
| CT601 | VCTC-00022-200 | TRIMMER | CVCN06C200 |
| VR602 | VFEB-A021B-224 | RESISTOR-SEMI FIXED | RH0638C-220KB 220Kohm |
| VR603 | VFEB-A021B-472 | RESISTOR-SEMI FIXED | RH0638C-4.7KB 4.7Kohm |
| VR601 | VFEB-A021B-473 | RESISTOR-SEMI FIXED | RH0638C-47KB 47Kohm |
| MV701 | VWBD-E017A-503 | VR-W/MOTOR | RK16812MG-50KAx2 |

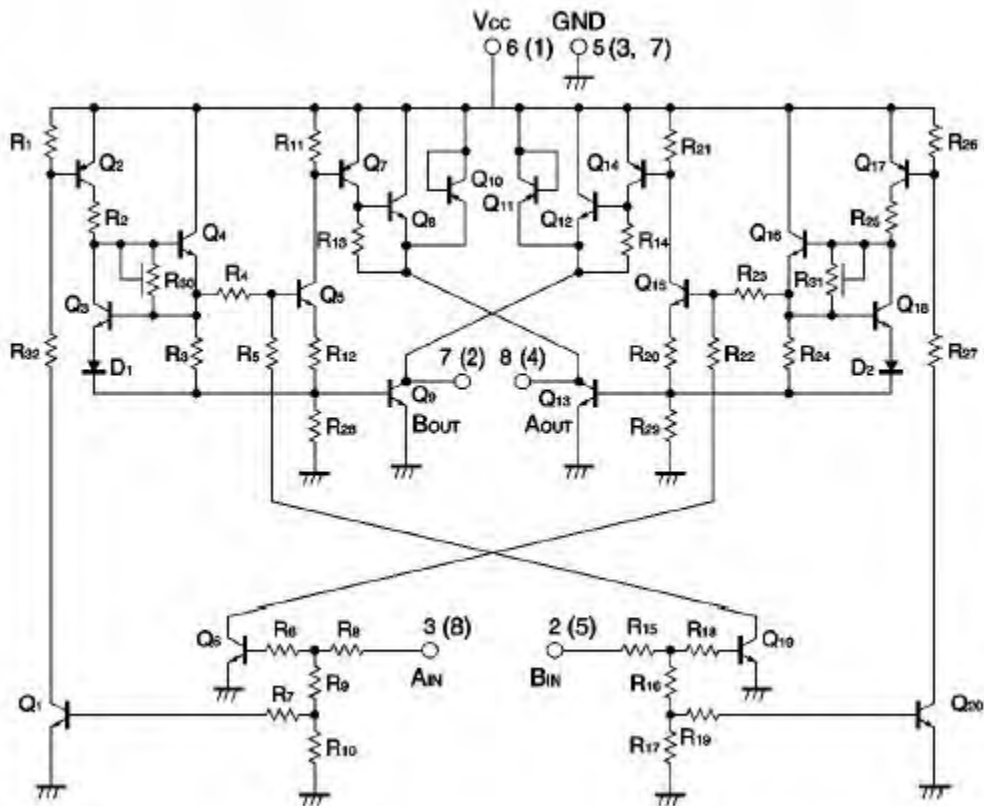
Front End : FE601 (FTA3-509HA) U.S.A. Version



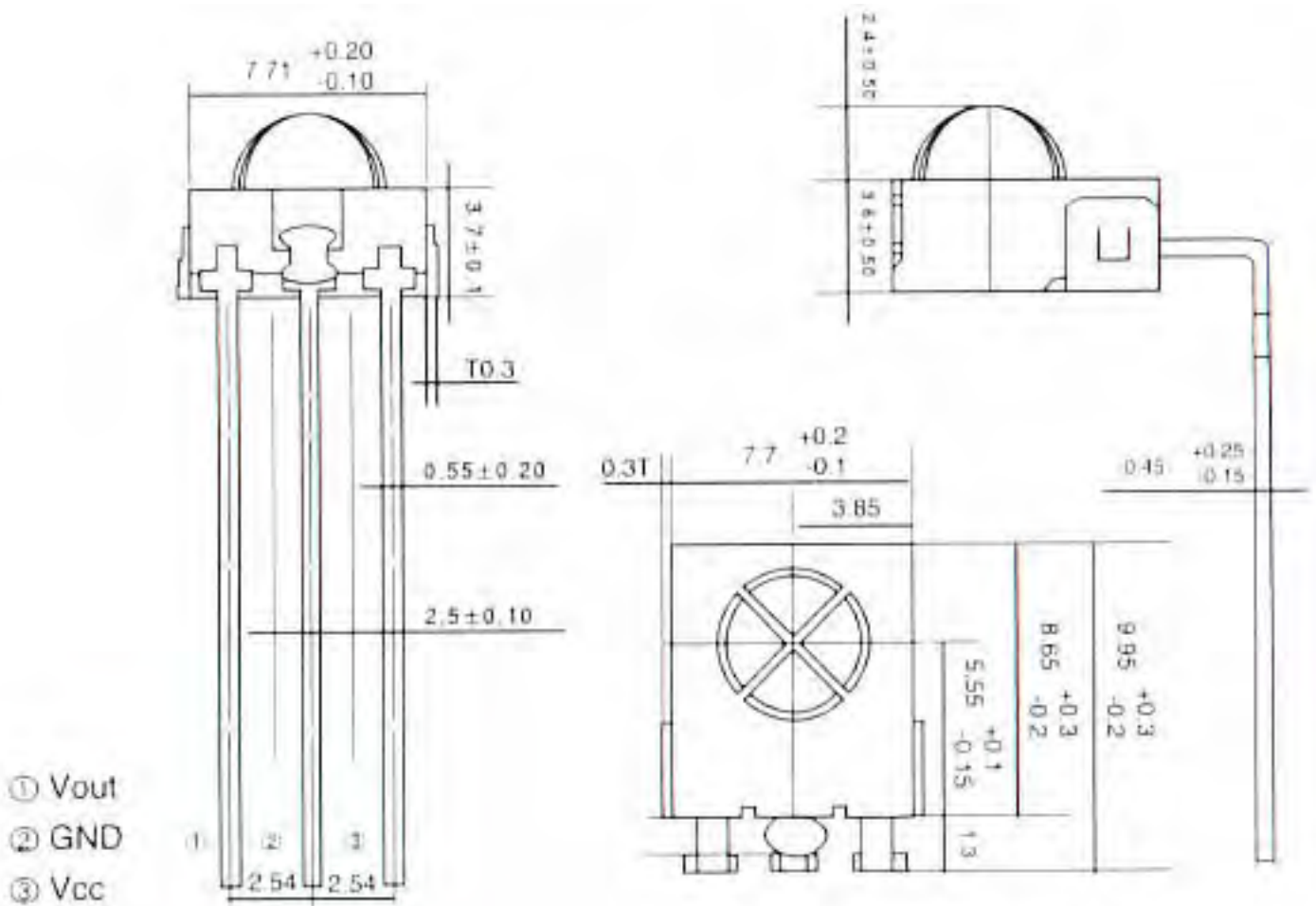
Front End : FE601 (FTA4-460H) E.U. Version



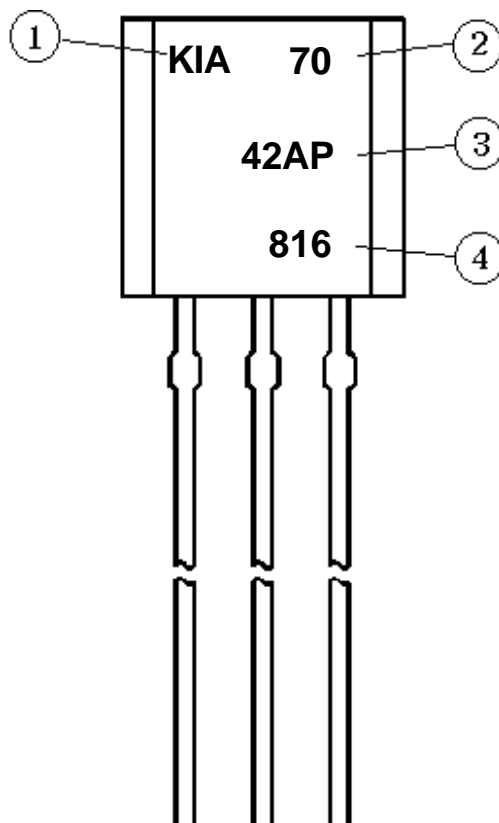
IC 701 : BA6208



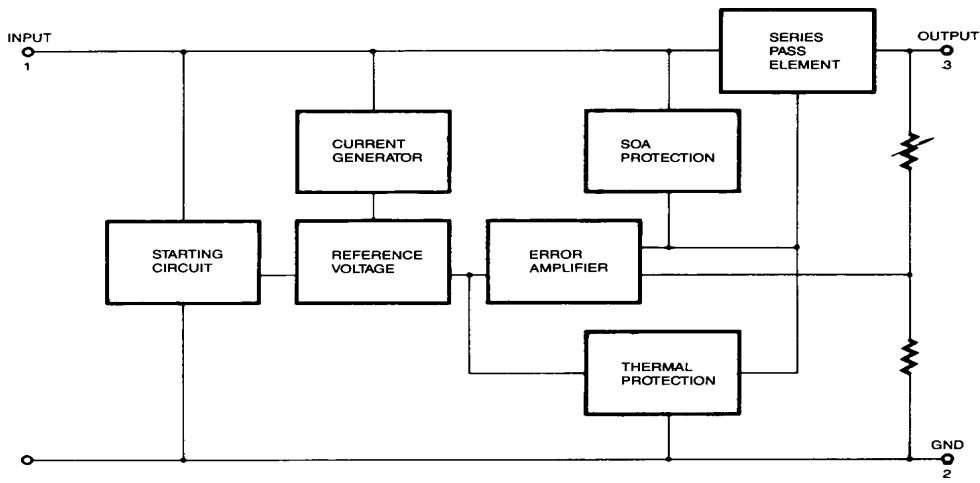
IC 302 : HI-M602HO



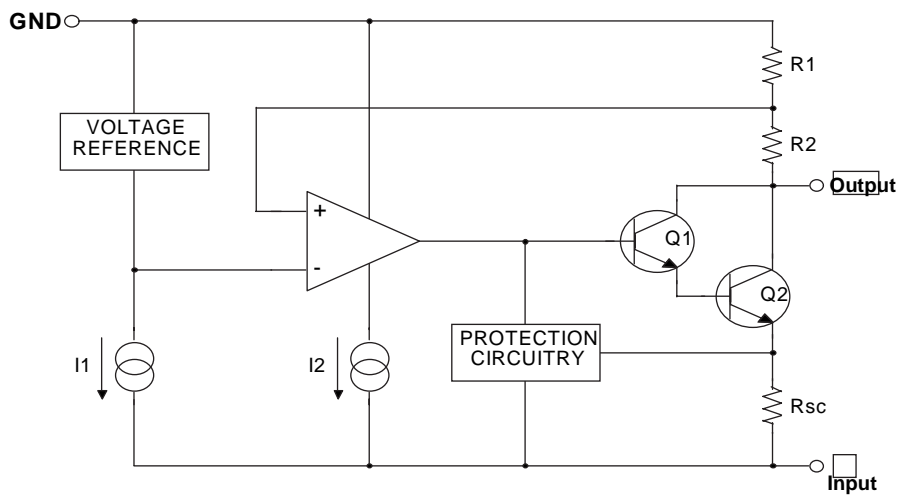
IC 303 : KIA7042AP



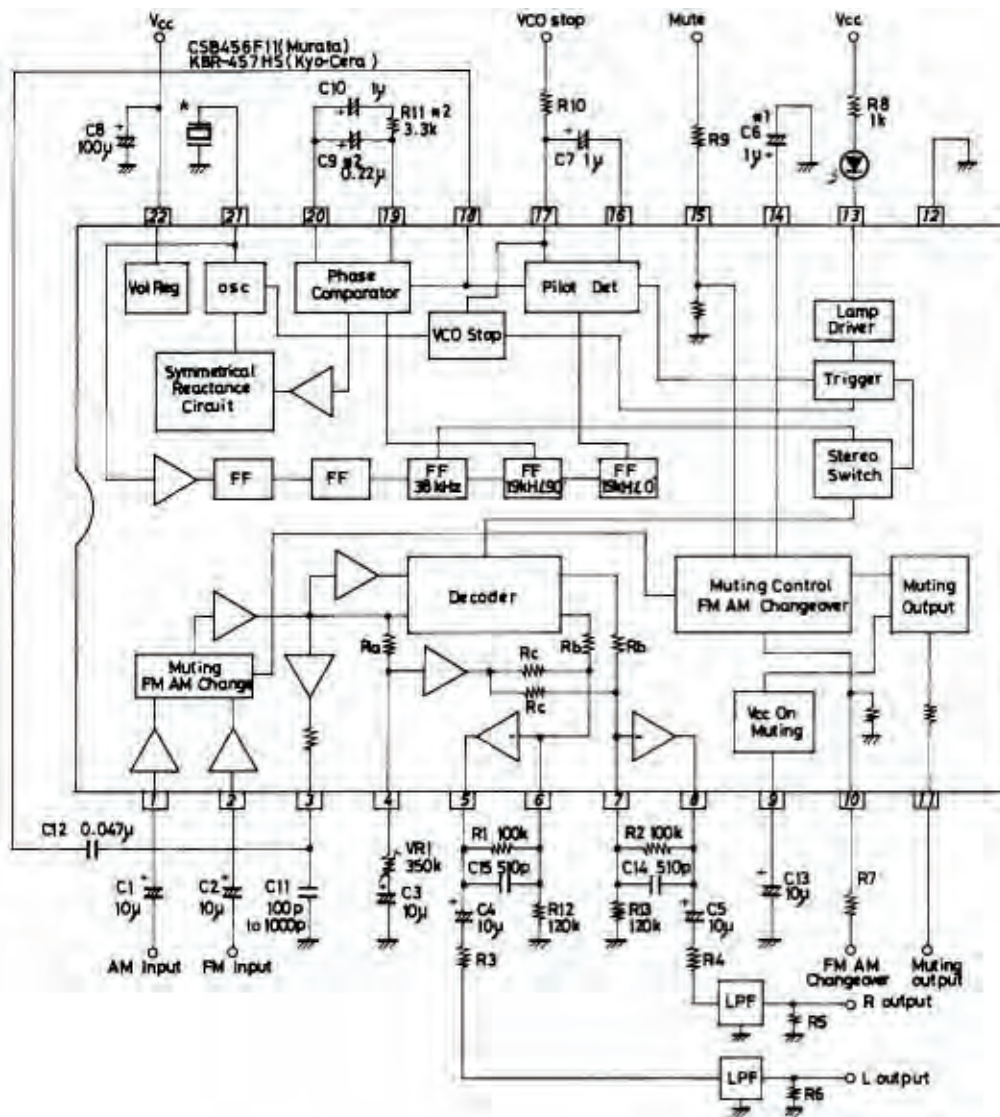
IC 111 : KA78XX



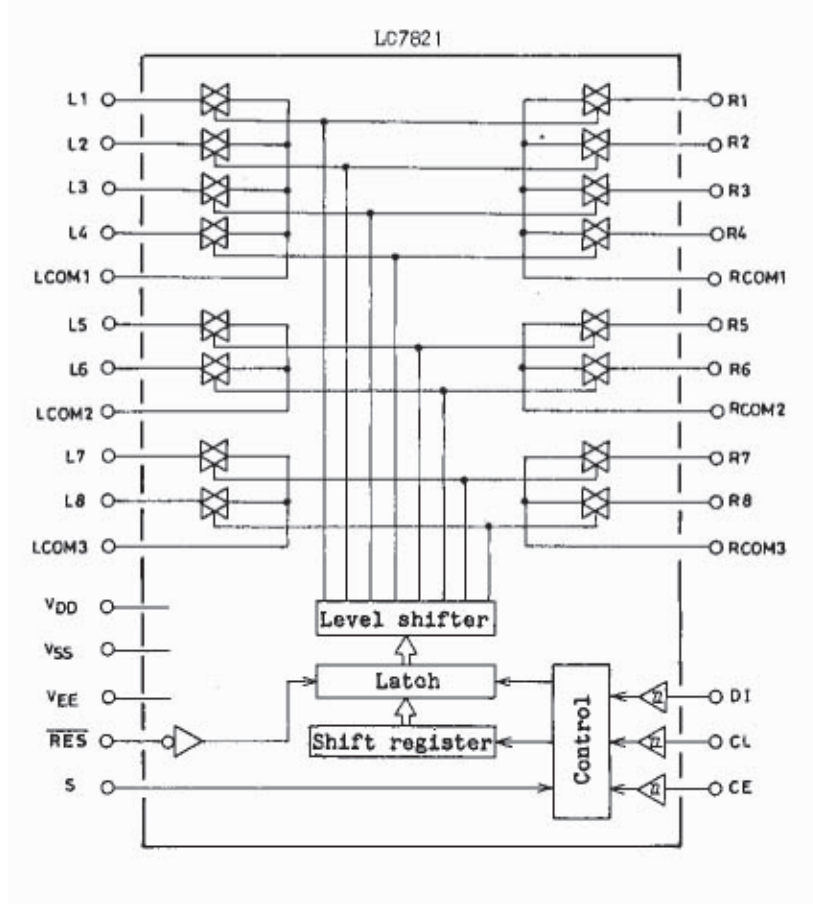
IC 112 : KA79XX



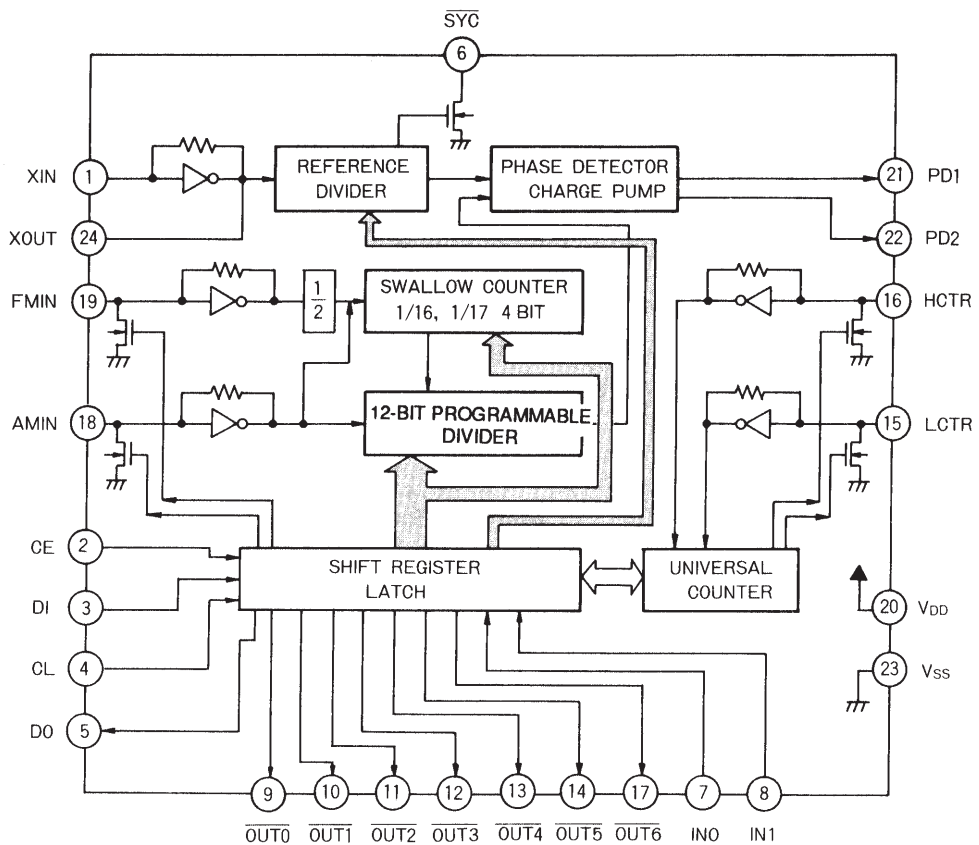
IC 603 : LA3401



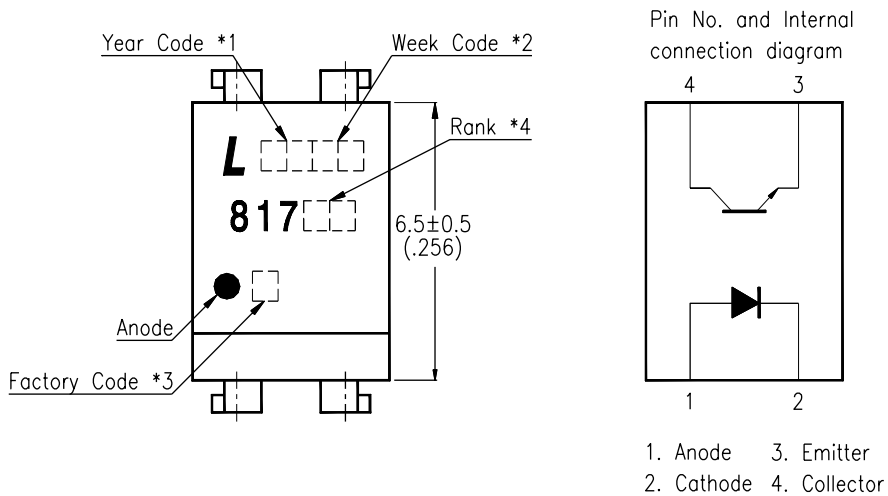
IC 102 : LC7821



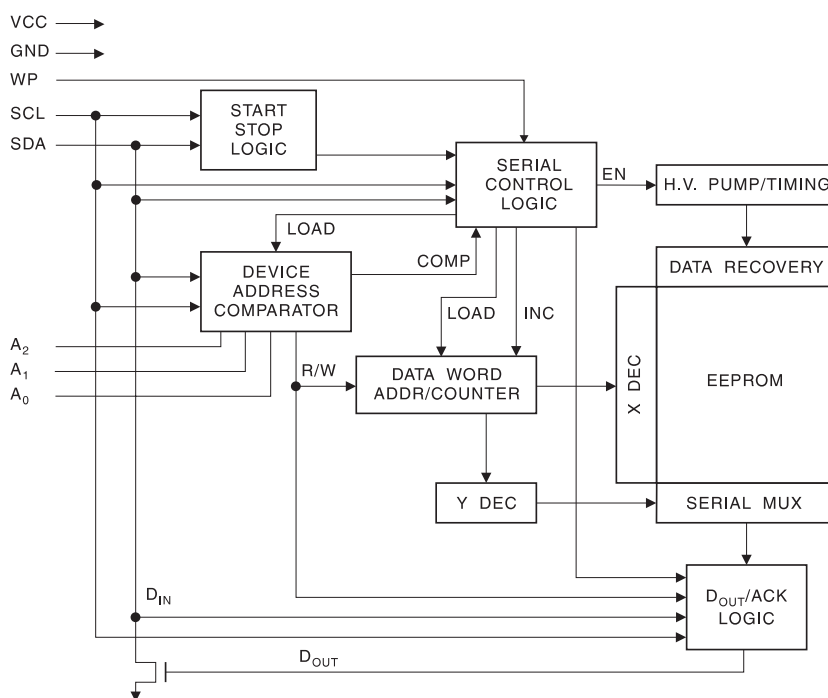
IC 602 : LC7218JM



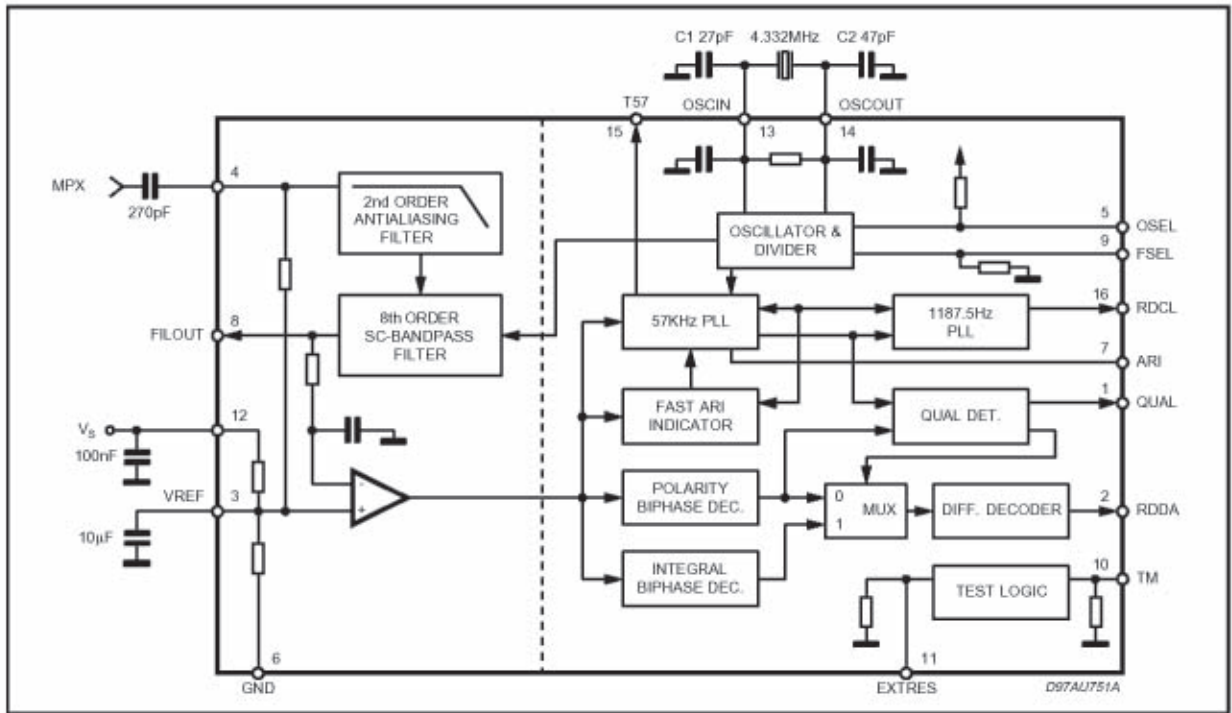
IC 108 : LTV817B



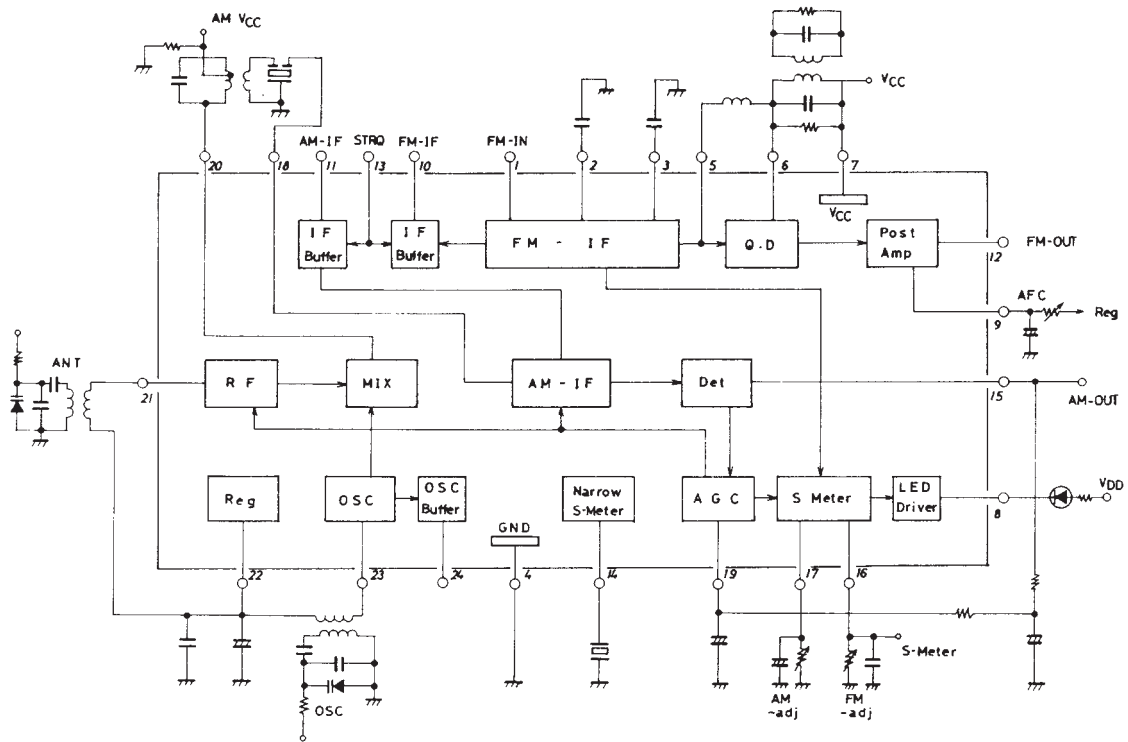
IC 304 : BR24C04



IC 604 : TDA7479D



IC 601 : LA1266 AM/FM IF

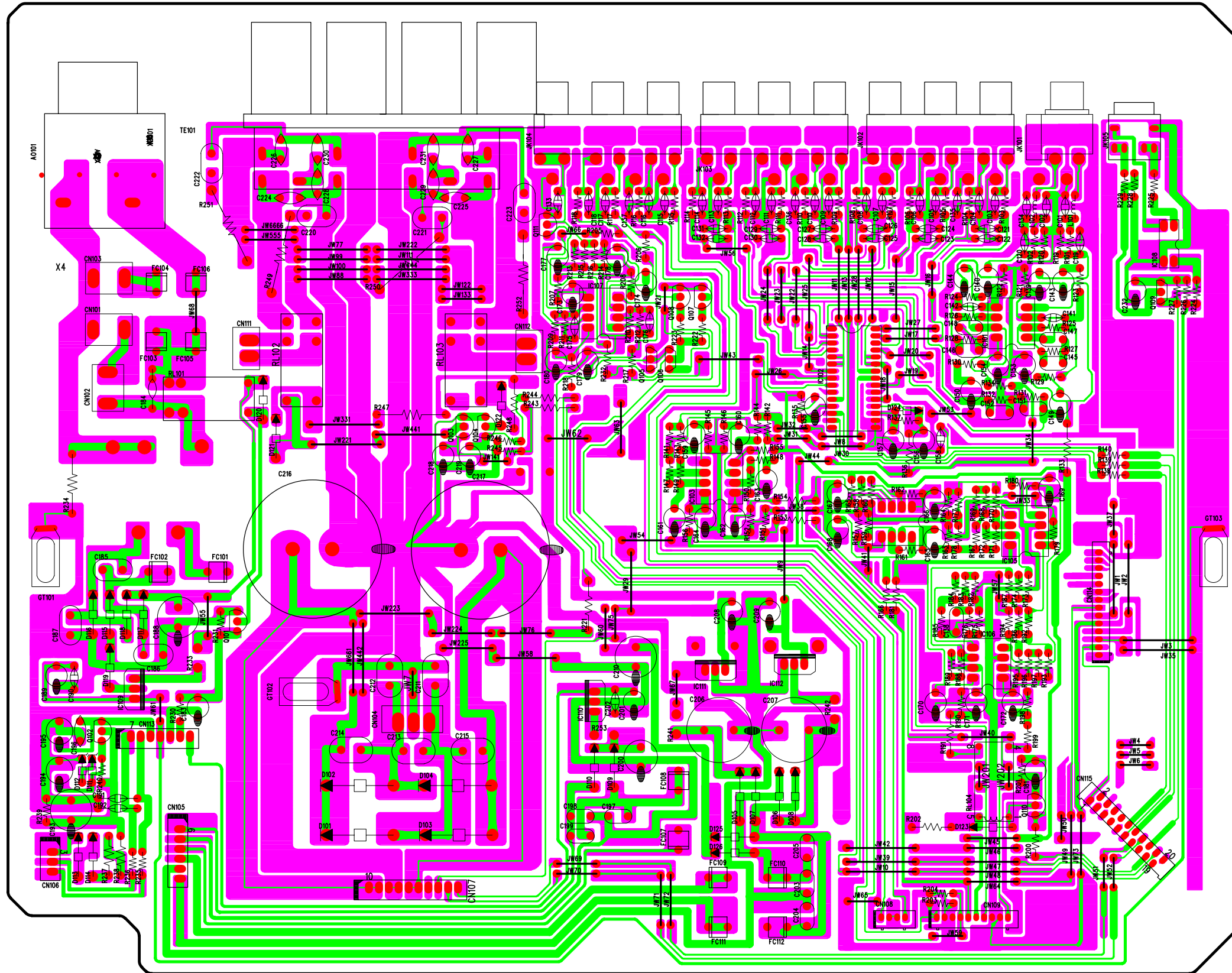


10. P. C. Board

12 | 11 | 10 | 9 | 8 | 7 | 6 | 5 | 4 | 3 | 2 | 1

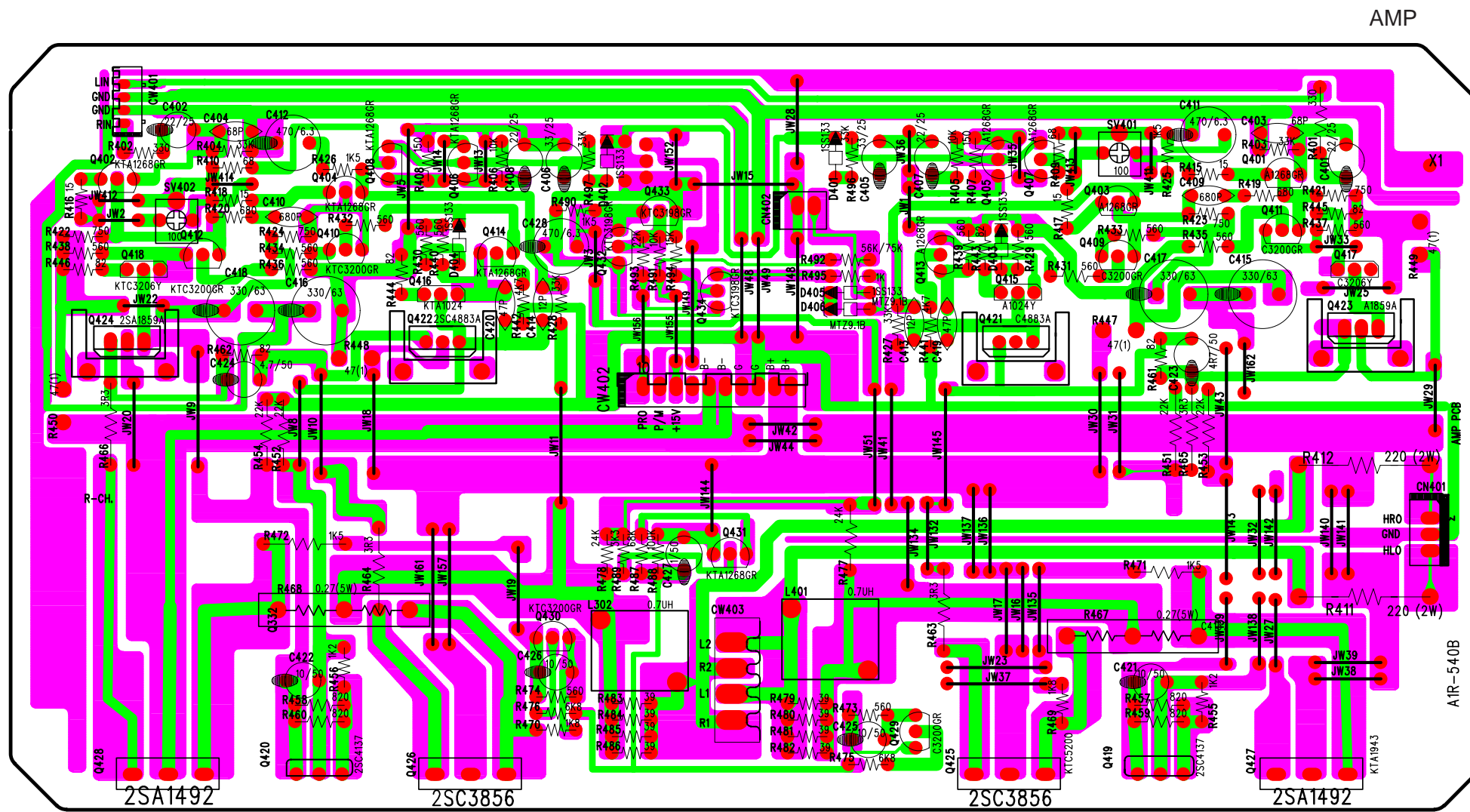
P. C. BOARD
MAIN

MAIN



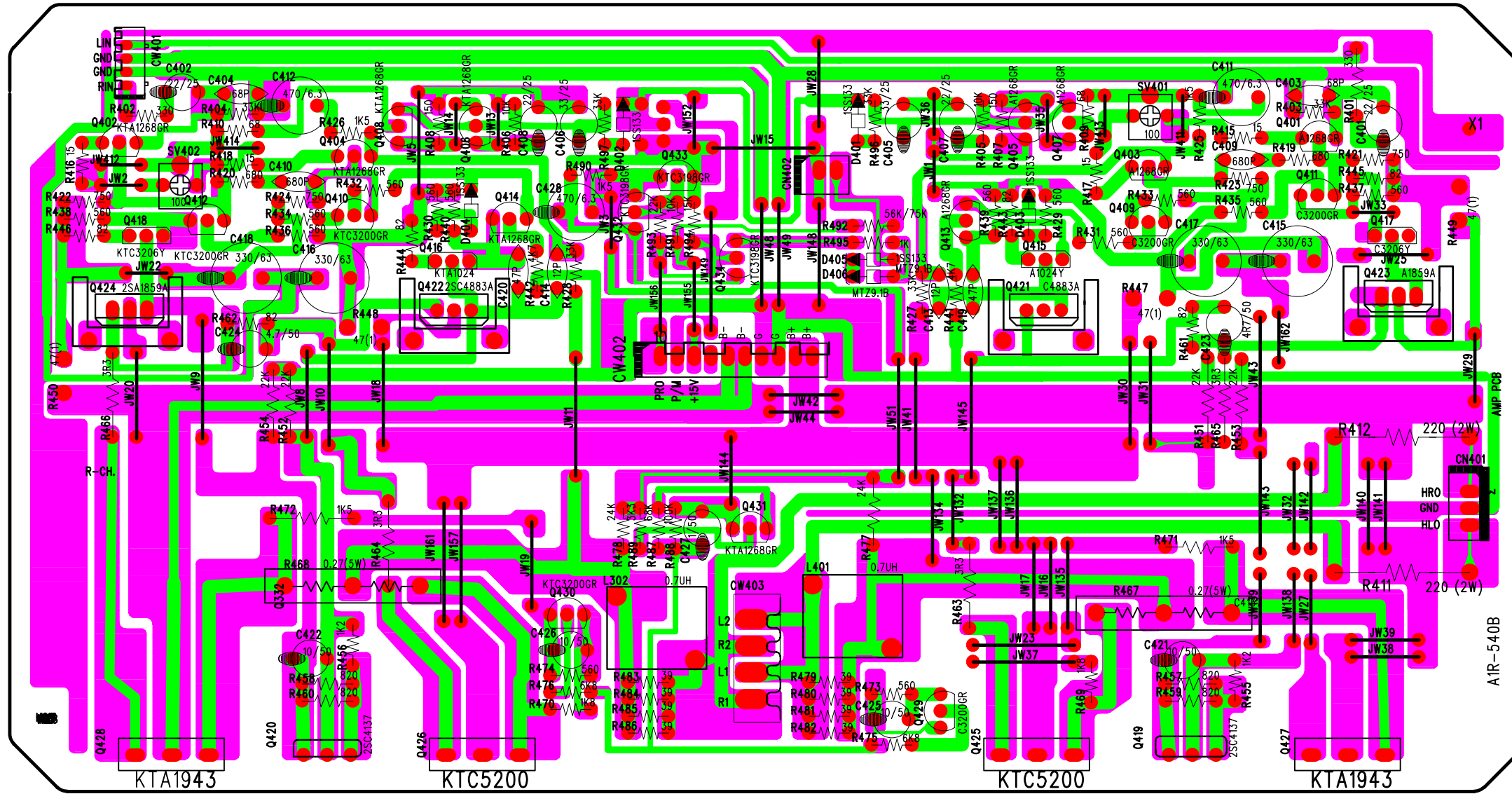
H
G
F
E
D
C
B
A

P. C. BOARD
AMP



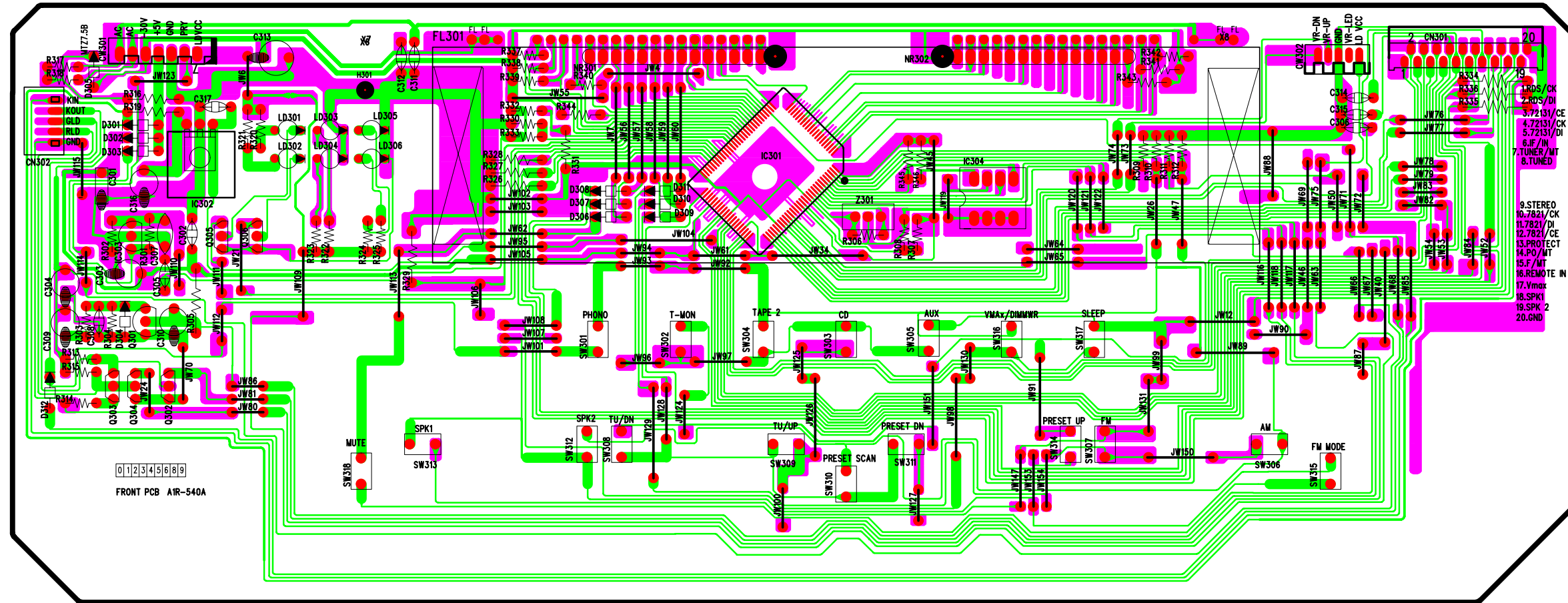
P. C. BOARD
AMP

AMP



P. C. BOARD
FRONT

FRONT



0 1 2 3 4 5 6 8 9
FRONT PCB AIR-540A

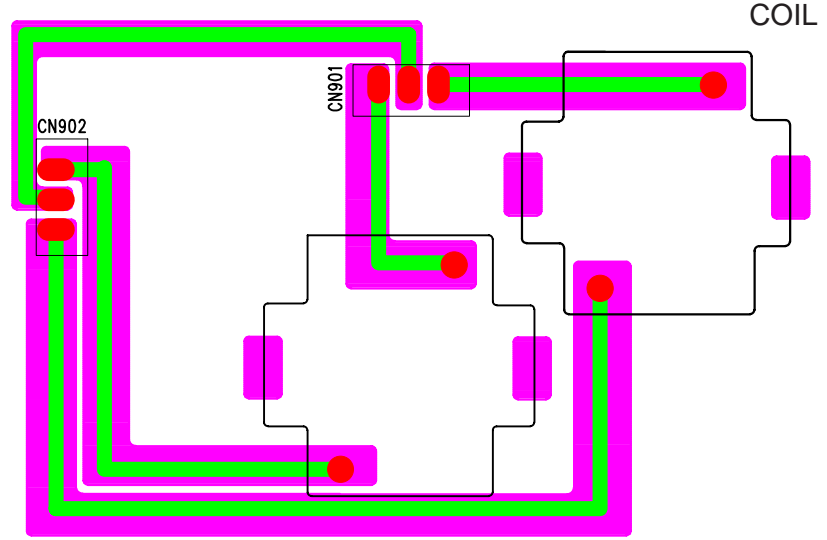
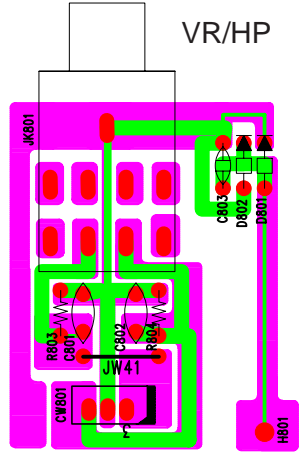
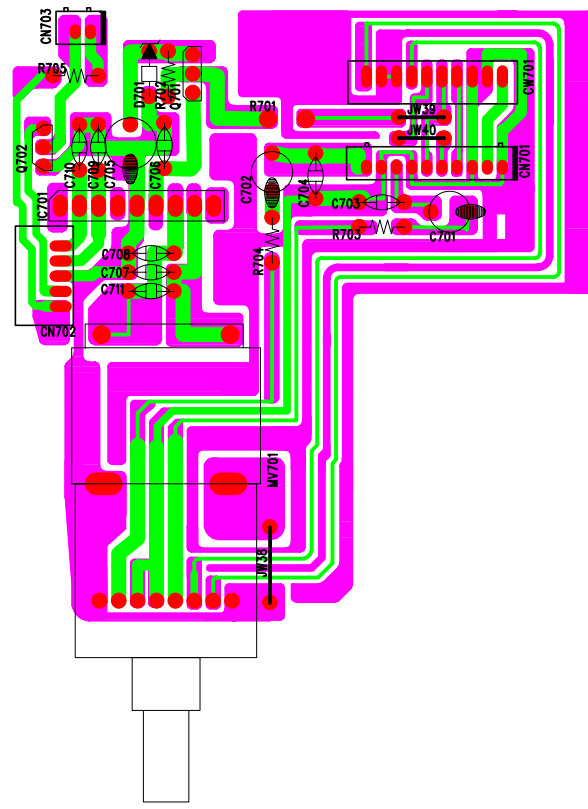
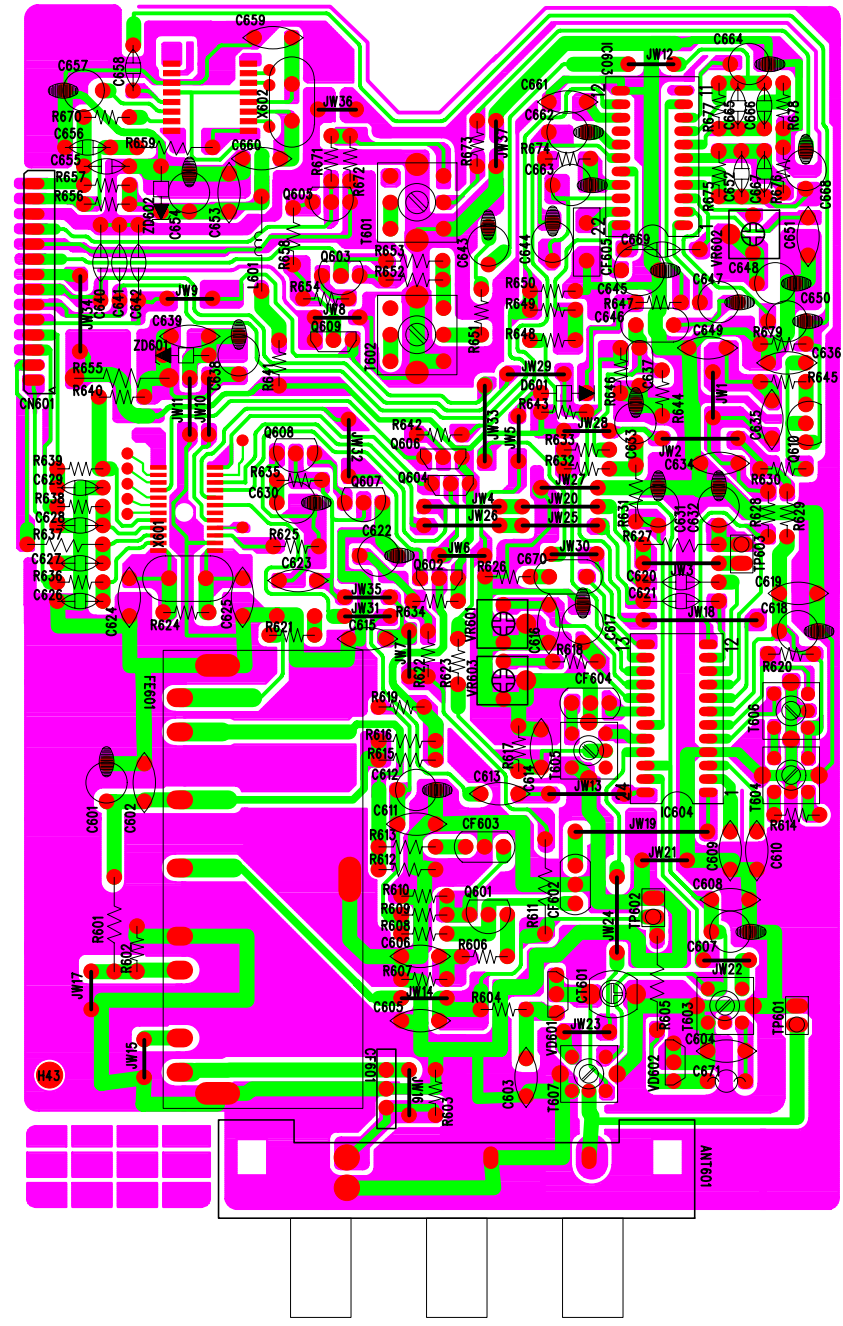
- 1. RDS/CK
- 2. RDS/DI
- 3. 3.72131/CE
- 4. 3.72131/CK
- 5. 5.72131/DI
- 6. F/IN
- 7. TUNER/MT
- 8. TUNED
- 9. STEREO
- 10. 7821/CK
- 11. 7821/DI
- 12. 7821/CE
- 13. PROTECT
- 14. PO/MT
- 15. F/MT
- 16. REMOTE IN
- 17. Vmax
- 18. SPK1
- 19. SPK 2
- 20. GND

P. C. BOARD
TUNER/VR/HP/COIL

12 11 10 9 8 7 6 5 4 3 2 1

H
G
F
E
D
C
B
A

TUNER

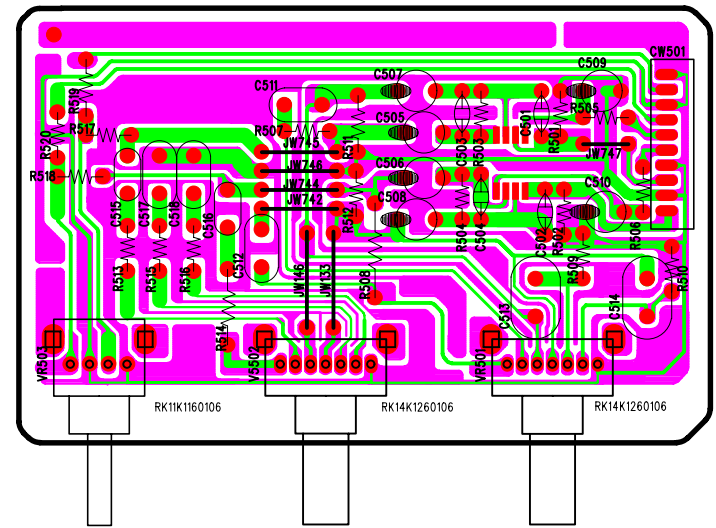


12 | 11 | 10 | 9 | 8 | 7 | 6 | 5 | 4 | 3 | 2 | 1

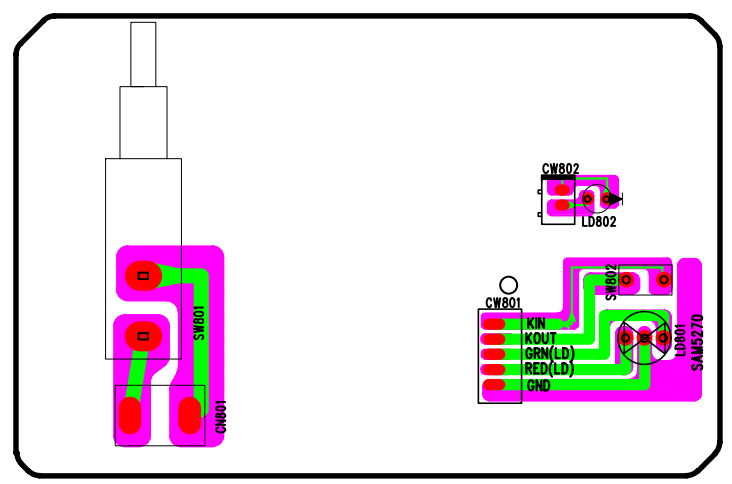
P. C. BOARD
TONE/POWER SW/LED

H
G
F
E
D
C
B
A

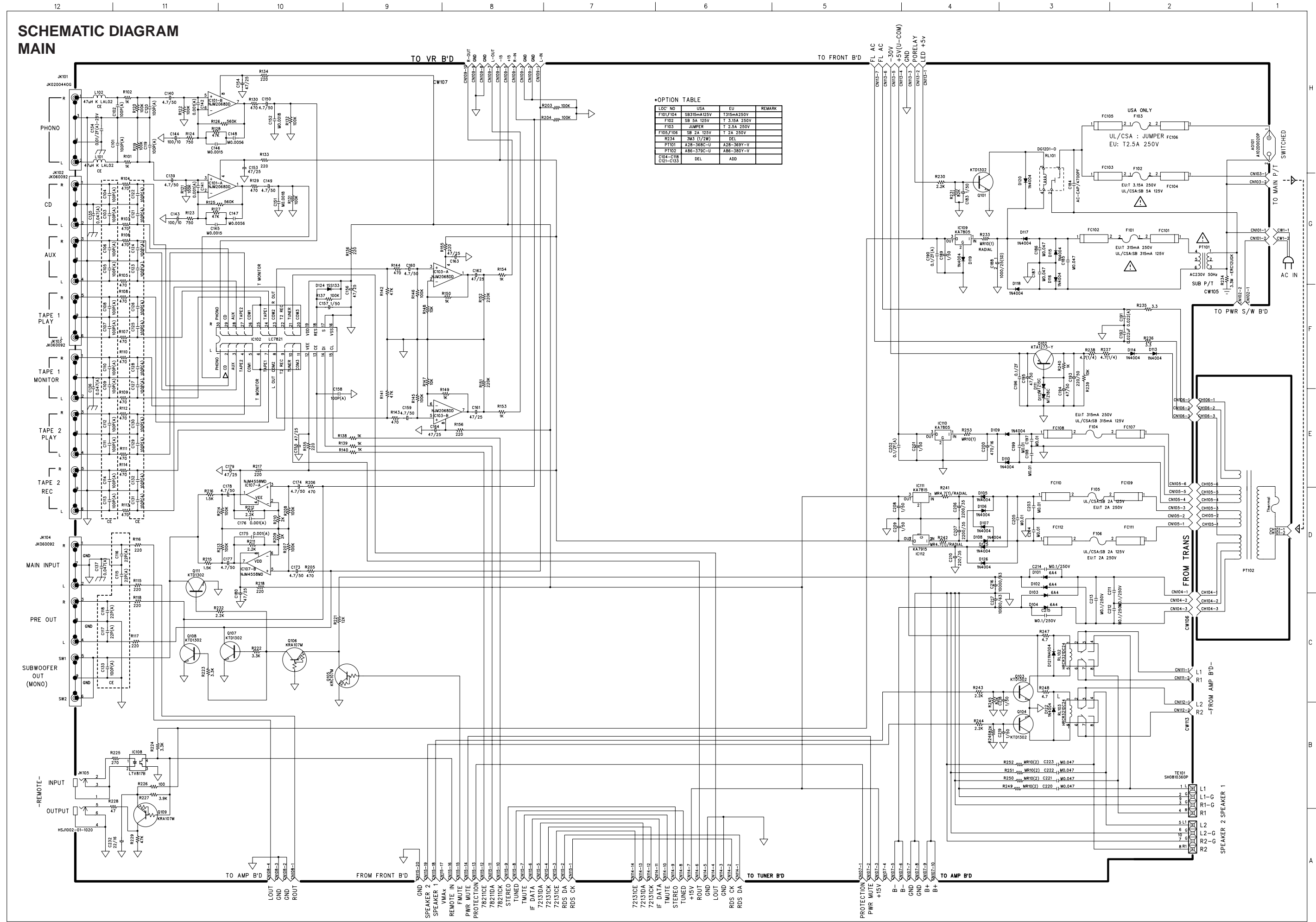
TONE



POWER SW / LED



11. Schematic Diagram



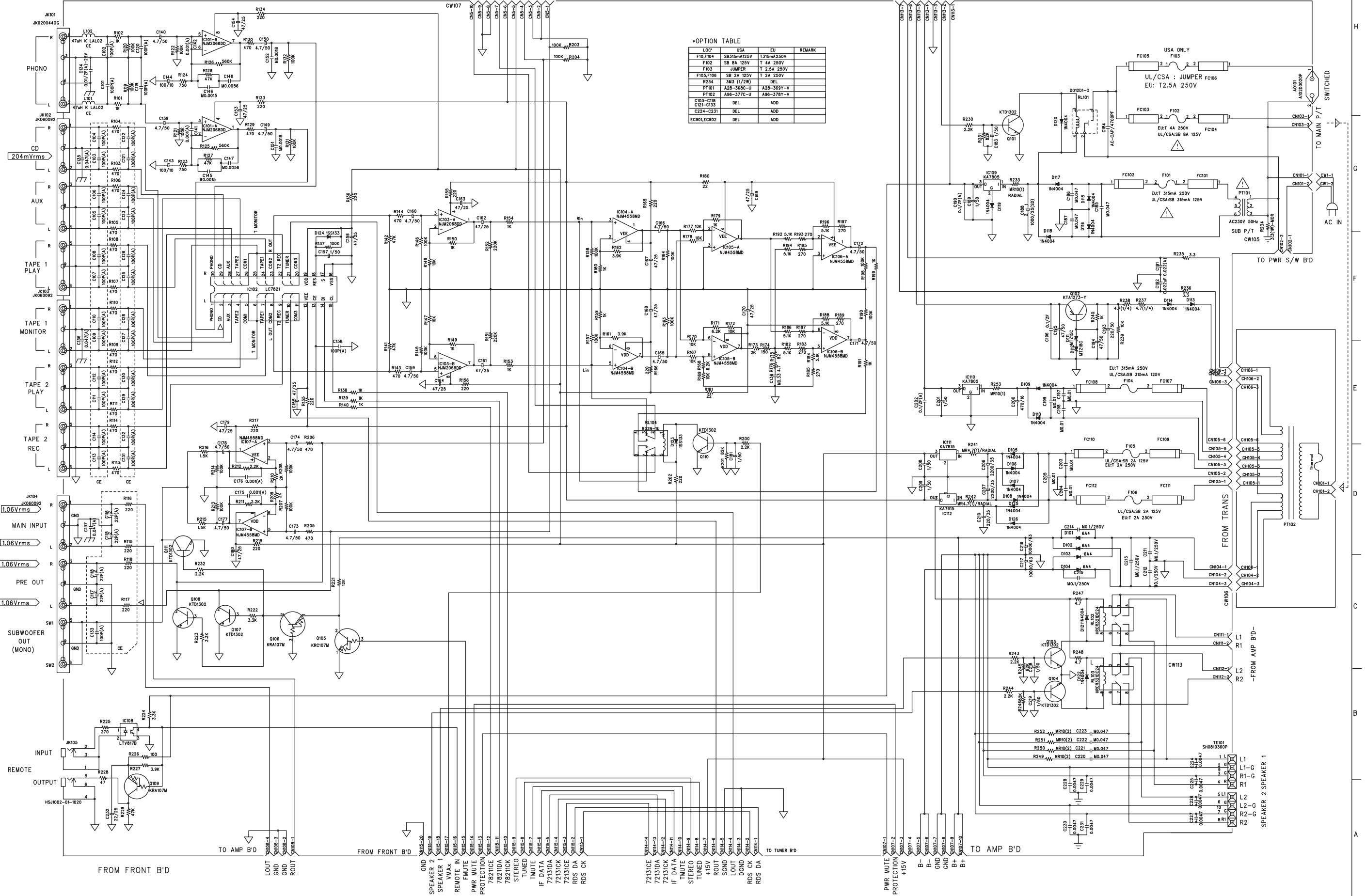
***OPTION TABLE**

| LOC. NO. | USA | EU | REMARK |
|------------------------|-------------|--------------|--------|
| F101/F04 | S835MA 125V | 1.35A 250V | |
| F102 | SB 5A 125V | T 3.15A 250V | |
| F103 | JUMPER | T 2.5A 250V | |
| F105/F106 | SB 2A 125V | T 2A 250V | |
| R234 | 3M3 (1/2W) | DEL | |
| PT101 | A28-368C-U | A28-368Y-V | |
| PT102 | A86-379C-U | A86-380Y-V | |
| C104-C108 C121-C125 | DEL | ADD | |

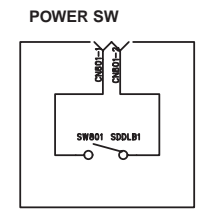
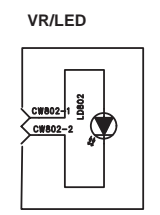
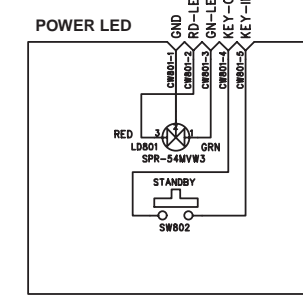
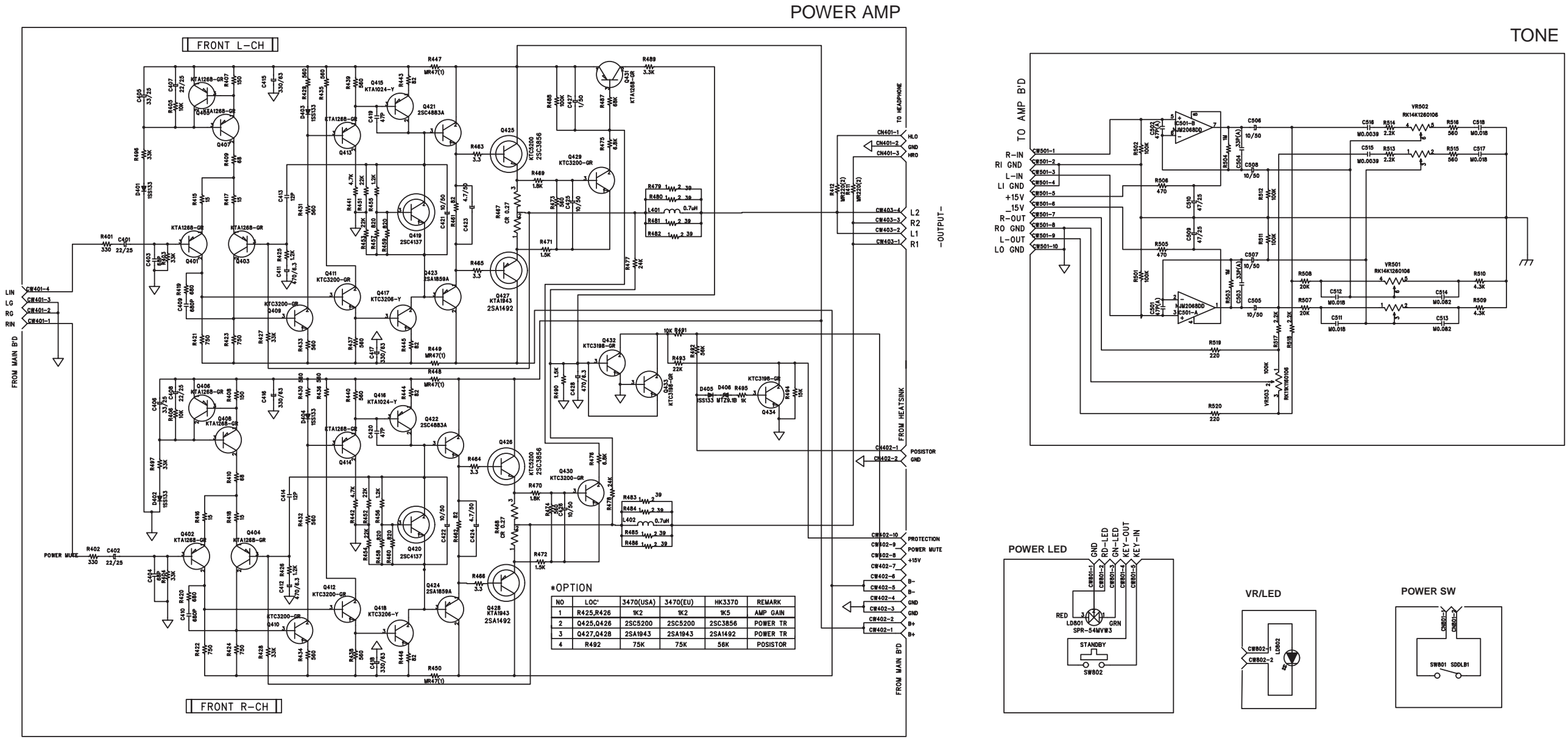
SCHEMATIC DIAGRAM MAIN

+OPTION TABLE

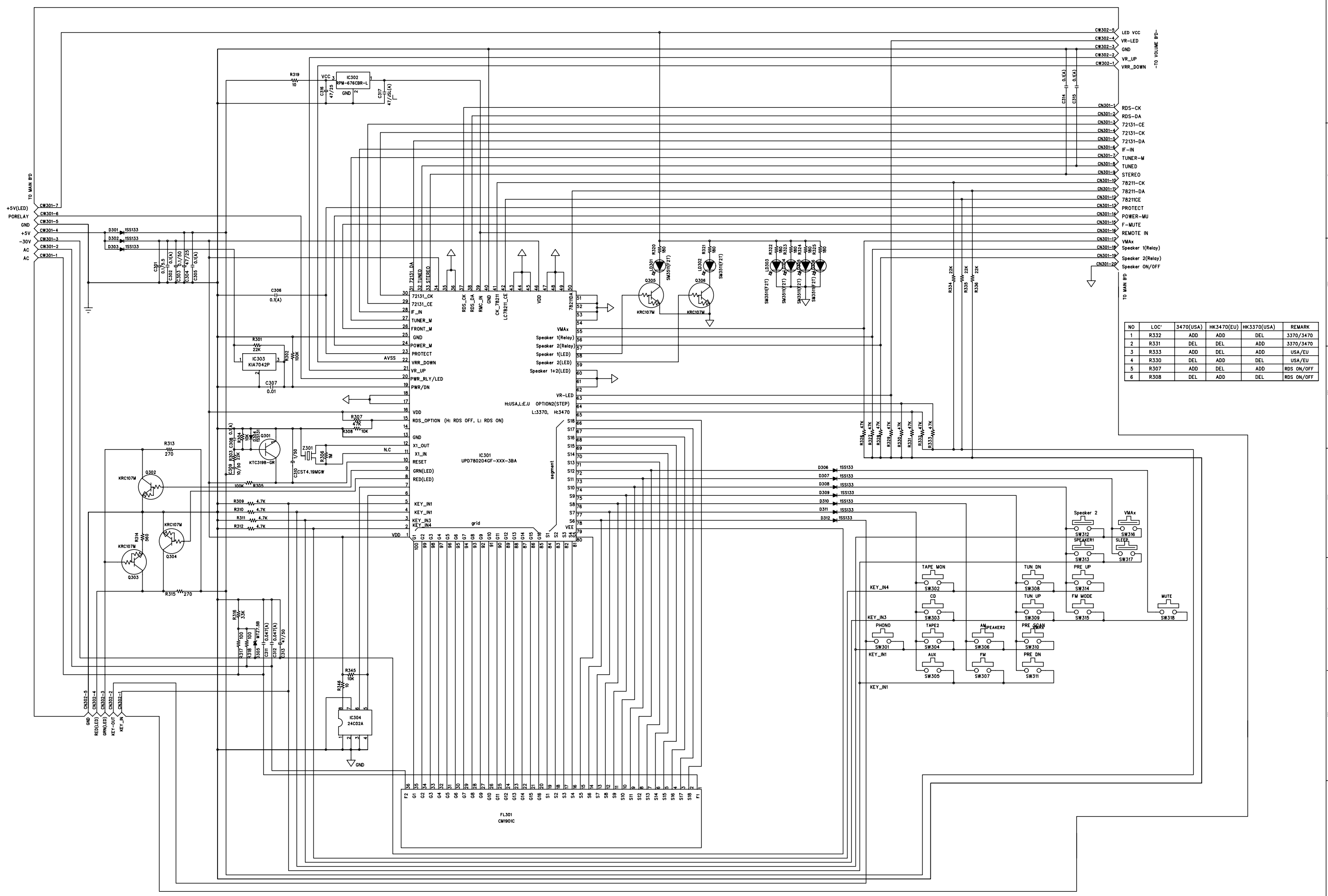
| LOC | USA | EU | REMARK |
|------------|------------|-------------|--------|
| F10,F104 | SB315A125V | T315A250V | |
| F102 | SB 8A 125V | T 4A 250V | |
| F103 | JUMPER | T 2.5A 250V | |
| F105,F106 | SB 2A 125V | T 2A 250V | |
| R234 | 3M3 (1/2W) | DEL | |
| PT101 | A28-368C-U | A28-3691-V | |
| PT102 | A36-377C-U | A36-378V-V | |
| C103-C118 | DEL | ADD | |
| C121-C133 | DEL | ADD | |
| C224-C231 | DEL | ADD | |
| EC90LEC902 | DEL | ADD | |



**SCHEMATIC DIAGRAM
AMP/TONE/ETC.**

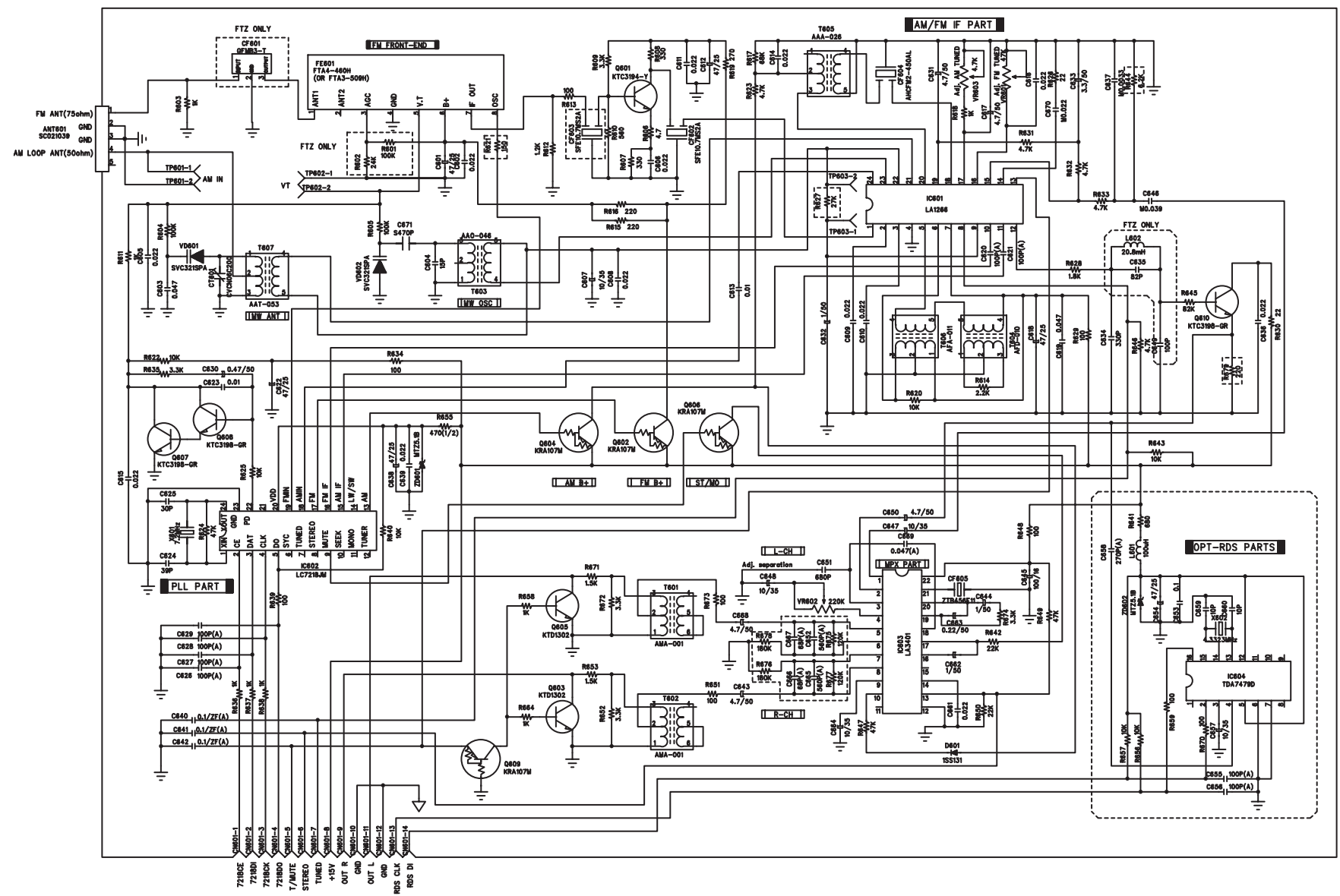


**SCHEMATIC DIAGRAM
FRONT**



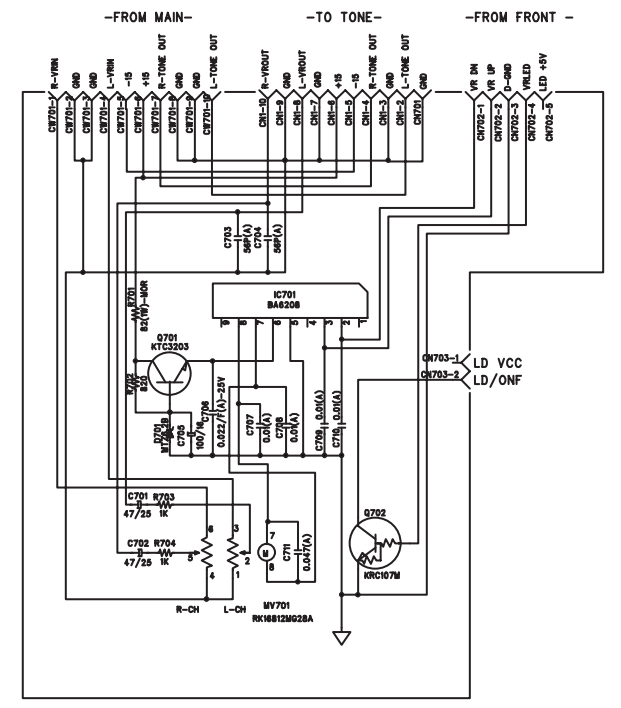
| NO | LOC' | 3470(USA) | HK3470(EU) | HK3370(USA) | REMARK |
|----|------|-----------|------------|-------------|------------|
| 1 | R332 | ADD | DEL | ADD | 3370/3470 |
| 2 | R331 | DEL | DEL | ADD | 3370/3470 |
| 3 | R333 | ADD | DEL | ADD | USA/EU |
| 4 | R330 | DEL | ADD | DEL | USA/EU |
| 5 | R307 | ADD | DEL | ADD | RDS ON/OFF |
| 6 | R308 | DEL | ADD | DEL | RDS ON/OFF |

SCHEMATIC DIAGRAM
TUNER/VR/HP

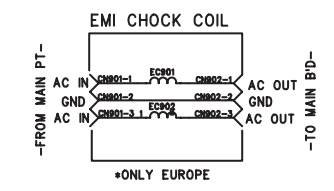
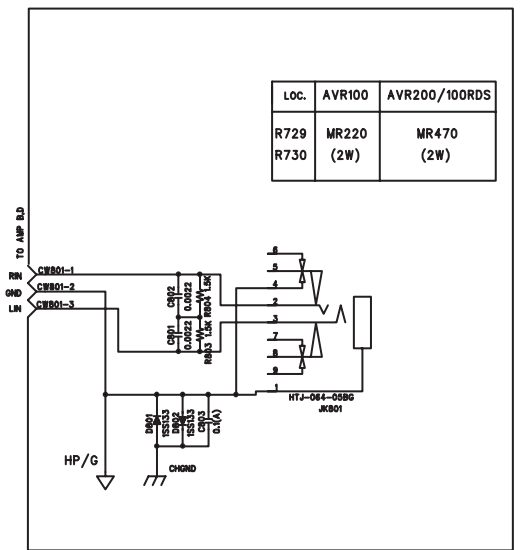


TUNER

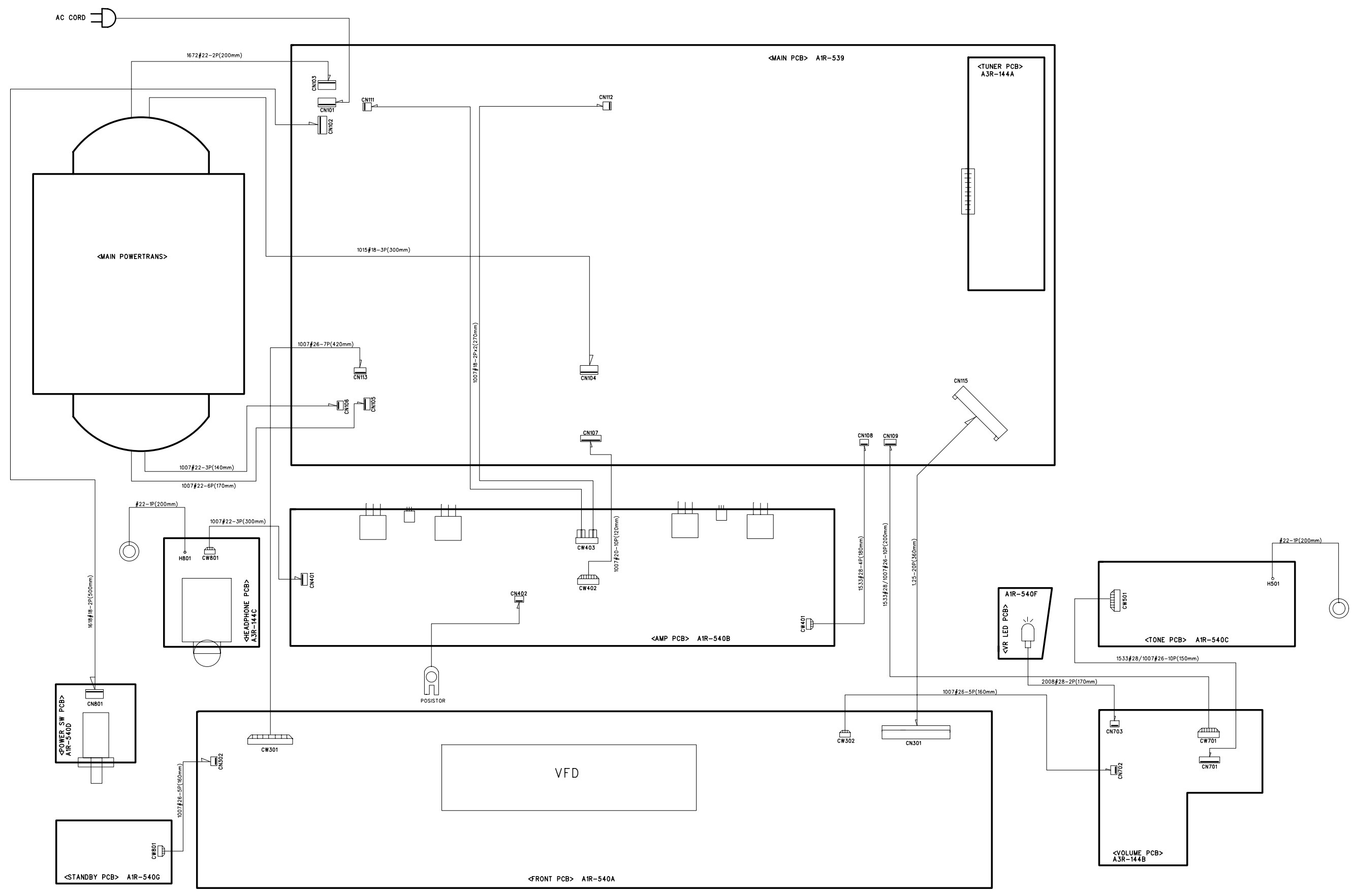
| LOC NO | USA | EU |
|--------|------------|-----------|
| ANT801 | SC0210 | SC0210 |
| CF601 | X | O |
| JW16 | O | X |
| FE601 | FTA3-509HA | FTA4-460H |
| JW17 | O | X |
| R602 | X | O |
| R601 | X | O |
| C635 | X | O |
| C649 | X | O |
| R644 | 6.2K | 1.5K |
| L602 | X | O |
| JW1 | O | X |
| R675 | 120K | 220K |
| R677 | 120K | 220K |
| C652 | 560P(A) | 220P(A) |
| C665 | 560P(A) | 220P(A) |
| C666 | 68P(A) | 10P(A) |
| R676 | 180K | 270K |
| R678 | 180K | 270K |
| R627 | 27K | 47K |
| R621 | 470 | 150 |
| CF603 | SFE | SFE |
| RDS | X | O |



HEAD PHONE



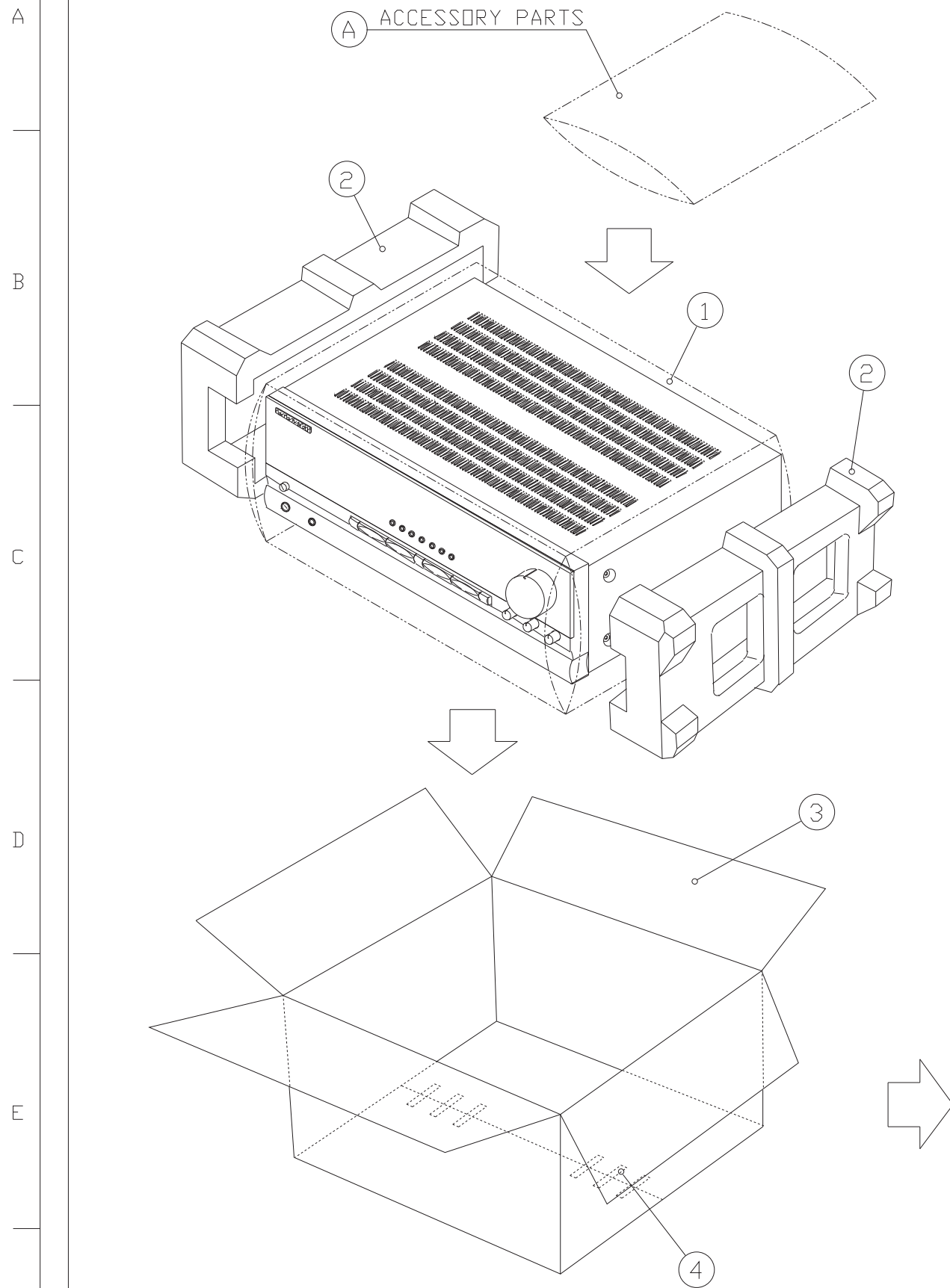
12. WIRING DIAGRAM



13. Packing Material

PACKING MATERIAL

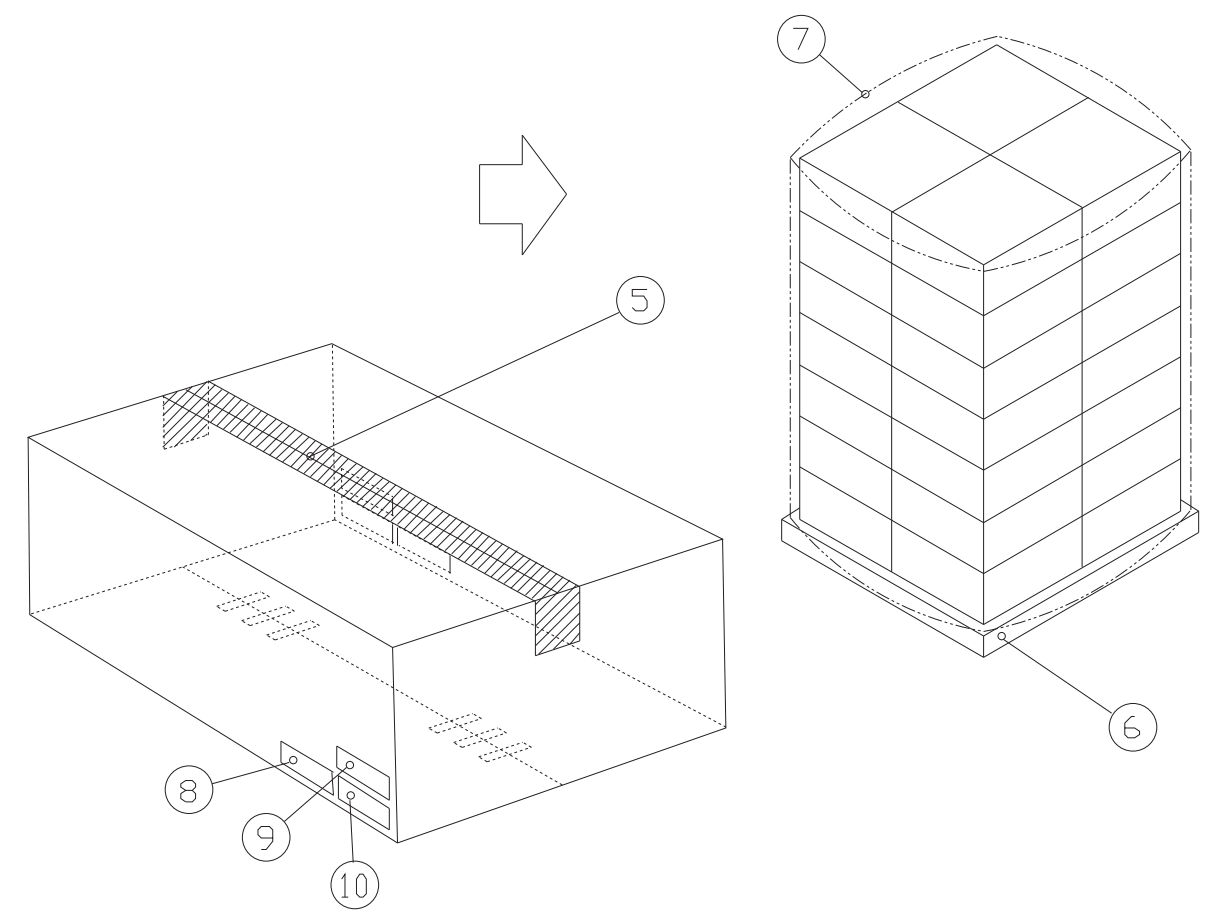
HK-3370



PACKING MATERIAL

HK-3370

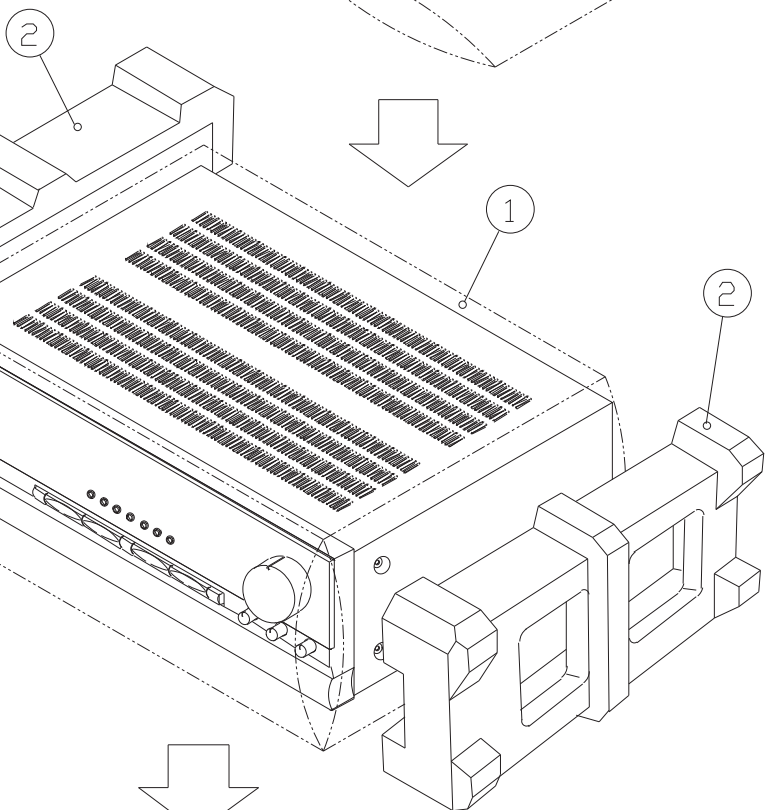
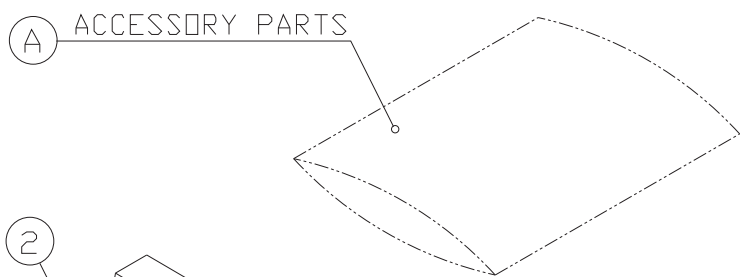
| NO | PARTS NAME | PART NO | Q'TY | REMARK |
|----|----------------------|----------------|------|--------|
| | POLY-BAG-I(G) | YVAP-01862-ZZ4 | 1 | *** |
| | INST-MANUAL | YIAR-K2001-02A | 1 | *** |
| | REMOTE CONTROL ASS'y | ACRC-00670-000 | 1 | *** |
| A | WARRANTY CARD | YWAR-K2001-02A | 1 | *** |
| | BATTERY MANGANESE | BAMN-00010-150 | 2 | *** |
| | ANTENNA-T TYPE | ANNT-00054-075 | 1 | *** |
| | ANTENNA-LOOP | ANL-00060-E50 | 1 | *** |
| | TRANSFORMER-MATCHING | TFMA-00100-D00 | 1 | *** |
| 1 | TOILON-SHEET | YVAP-13320-ZZ4 | 1 | *** |
| 2 | CUSHION-L/R | YSAP-12070-002 | 2 | EPS |
| 3 | BOX-GIFT | YGAP-14860-ZZ4 | 1 | DW2 |
| 4 | AIR-STAPLES | MMSC-00900-004 | 6 | STEEL |
| 5 | TAPE-OPP | ZTOP-00701-50C | * | *** |
| 6 | PALLETS | MWAW-00910-003 | * | *** |
| 7 | WRAP | 7JJG-00212-001 | * | *** |
| 8 | LABEL-CODE39 | YBAP-15580-ZZ4 | 2 | *** |
| 9 | LABEL-UPC | YBAP-14930-ZZ4 | 2 | *** |
| 10 | LABEL-SERIAL NO | YBAP-14361-ZZ4 | 2 | *** |



PACKING MATERIAL

HK-3470

A

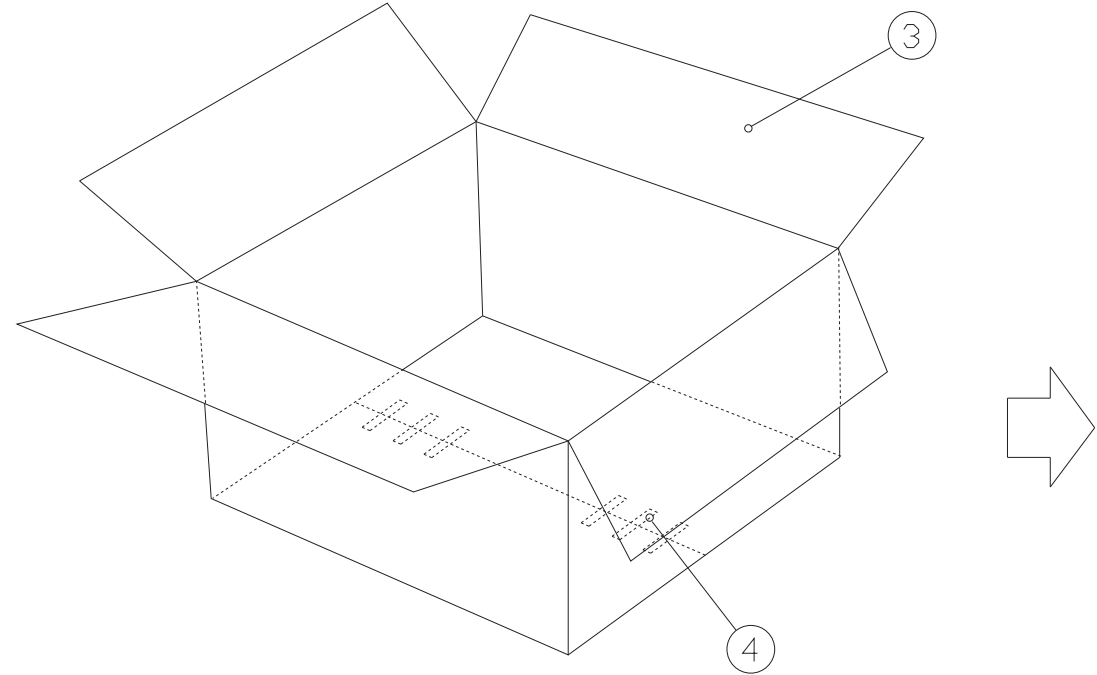


B

C

D

E



A

PACKING MATERIAL

HK-3470

| NO | PARTS NAME | PART NO | Q'TY | REMARK |
|----|----------------------|----------------|------|--------|
| | POLY-BAG-ICK) | YVAP-01862-ZZ4 | 1 | *** |
| | INST-MANUAL | YIAR-K1001-02A | 1 | *** |
| | REMOTE CTRL ASS'y | ACRC-00680-000 | 1 | *** |
| A | WARRANTY CARD | YWAR-K1001-02A | 1 | *** |
| | BATTERY MANGANESE | BAMN-00010-150 | 2 | *** |
| | ANTENNA-T TYPE | ANNT-00054-075 | 1 | *** |
| | ANTENNA-LOOP | ANL-00060-E50 | 1 | *** |
| | TRANSFORMER-MATCHING | TFMA-00100-D00 | 1 | *** |
| 1 | TOILON-SHEET | YVAP-13320-ZZ4 | 1 | *** |
| 2 | CUSHION-L/R | YSAP-12070-002 | 2 | EPS |
| 3 | BOX-GIFT | YGAP-14860-ZZ4 | 1 | DW2 |
| 4 | AIR-STAPLES | MMSC-00900-004 | 6 | STEEL |
| 5 | TAPE-OPP | ZTOP-00701-50C | * | *** |
| 6 | PALLETS | MWAW-00910-003 | * | *** |
| 7 | WRAP | 7JJG-00212-001 | * | *** |
| 8 | LABEL-CODE39 | YBAP-15580-ZZ4 | 2 | *** |
| 9 | LABEL-UPC | YBAP-14930-ZZ4 | 2 | *** |
| 10 | LABEL-SERIAL NO | YBAP-14361-ZZ4 | 2 | *** |

B

C

D

E

