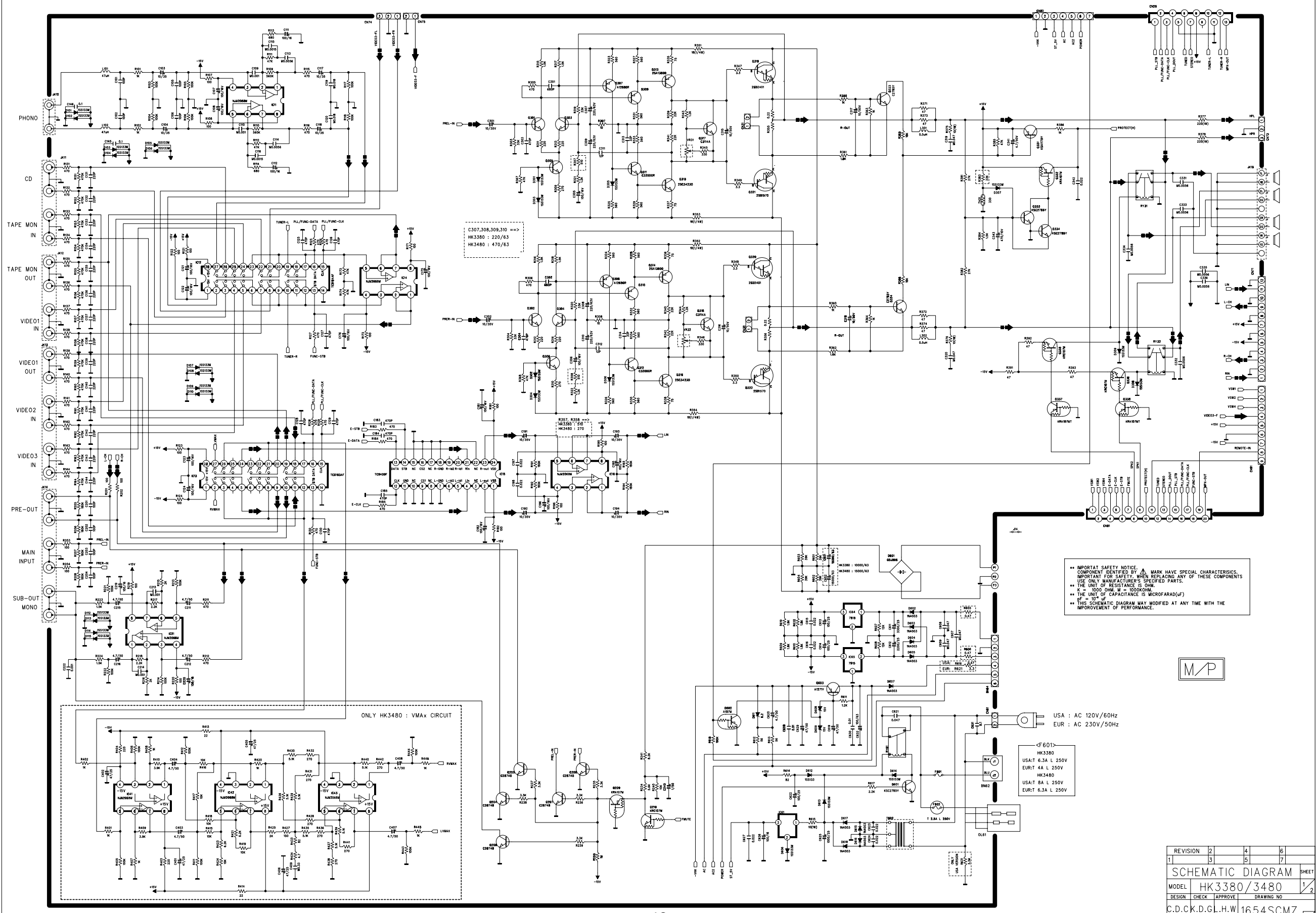


*** IMPORTANT SAFETY NOTICE**
 COMPONENTS IDENTIFIED BY MARK HAVE SPECIAL CHARACTERISTICS. IMPORTANT FOR SAFETY, WHEN REPLACING ANY OF THESE COMPONENTS USE ONLY MANUFACTURER'S SPECIFIED PART.
 * THE UNIT OF RESISTANCE IS OHM, K=1000 OHM, M=1000 KOHM
 * THE CAPACITANCE IS MICROFARAD P=PICO FARAD
 * THIS SCHEMATIC DIAGRAM MAY BE MODIFIED AT ANY TIME WITH THE IMPROVEMENT OF PERFORMANCE.
 * ALL VOLTAGE ARE MEASURED WITH GROUND.
 DC : VALUES WITH NO SIGNAL
 AC : RMS

ISSUE
 ANAM
 MULTI LAB
 2003.11.19

M/P

REVISION	2	4	6	
1	3	5	7	
SCHEMATIC DIAGRAM				SHEET
MODEL	HK3380/3480			1/1
DESIGN	CHECK	APPROVE	DRAWING NO	
D.C.CHOI	D.G.KIM	H.W.LEE	1653BCMZ	
03.08.01				



C307,308,309,310 =>
 HK3380 : 220/63
 HK3480 : 470/63

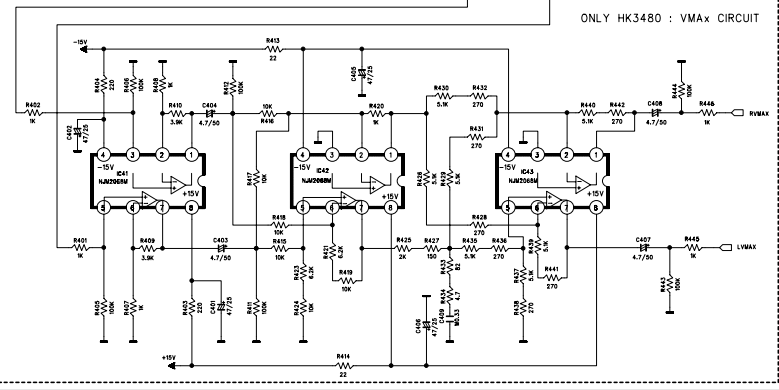
R257, R358 =>
 HK3380 : 500/270
 HK3480 : 270

•• IMPORTANT SAFETY NOTICE: COMPONENT IDENTIFIED BY Δ MARK HAVE SPECIAL CHARACTERISTICS. IMPORTANT FOR SAFETY: WHEN REPLACING ANY OF THESE COMPONENTS, USE ONLY MANUFACTURER'S SPECIFIED PARTS. •• THE UNIT OF RESISTANCE IS OHM. •• 1000 OHM = 1K OHM. •• 1000 OHM = 1000K OHM. •• PF = 10⁻¹² SECOND. •• THIS SCHEMATIC DIAGRAM MAY MODIFIED AT ANY TIME WITH THE IMPROVEMENT OF PERFORMANCE.

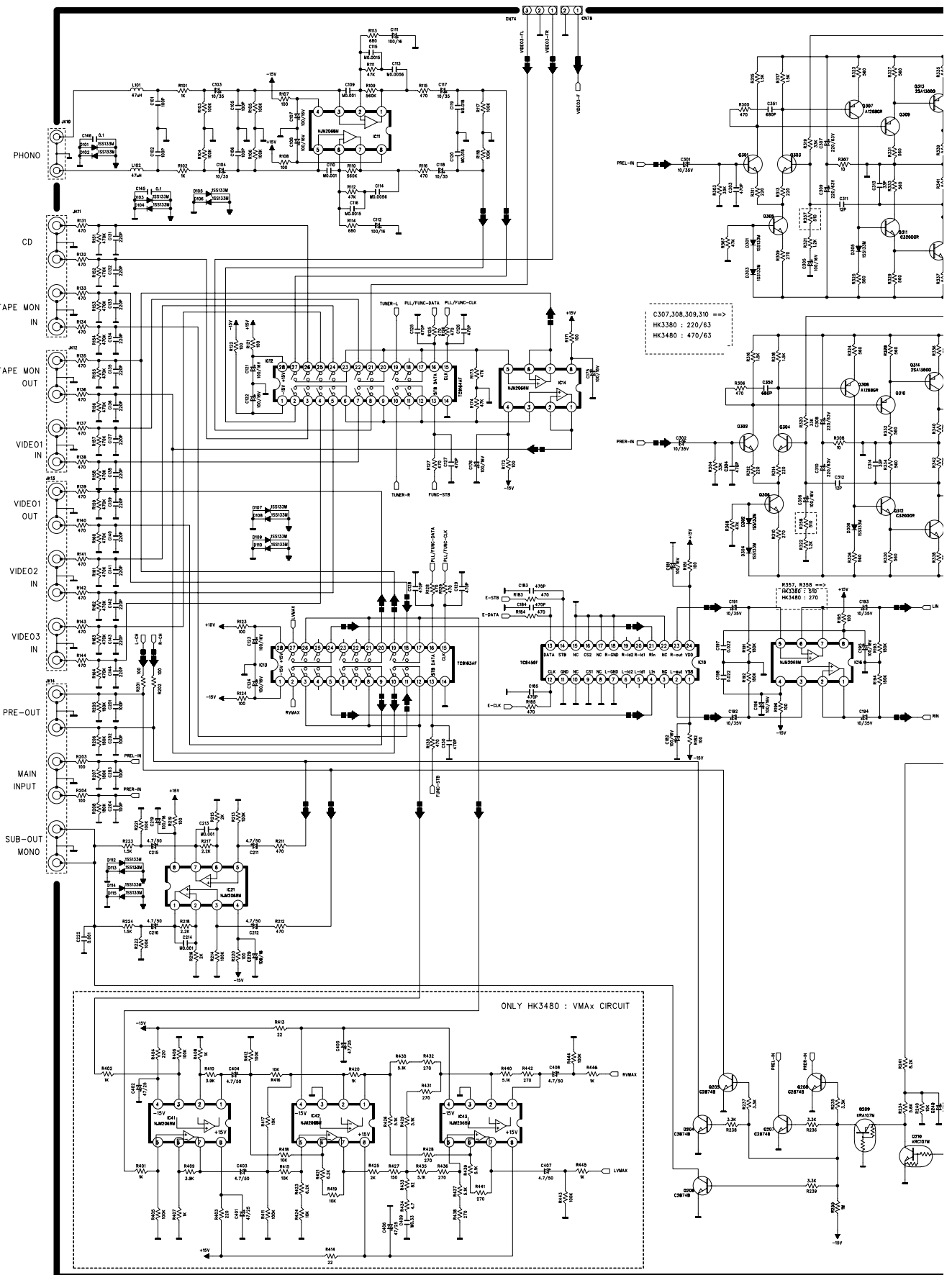


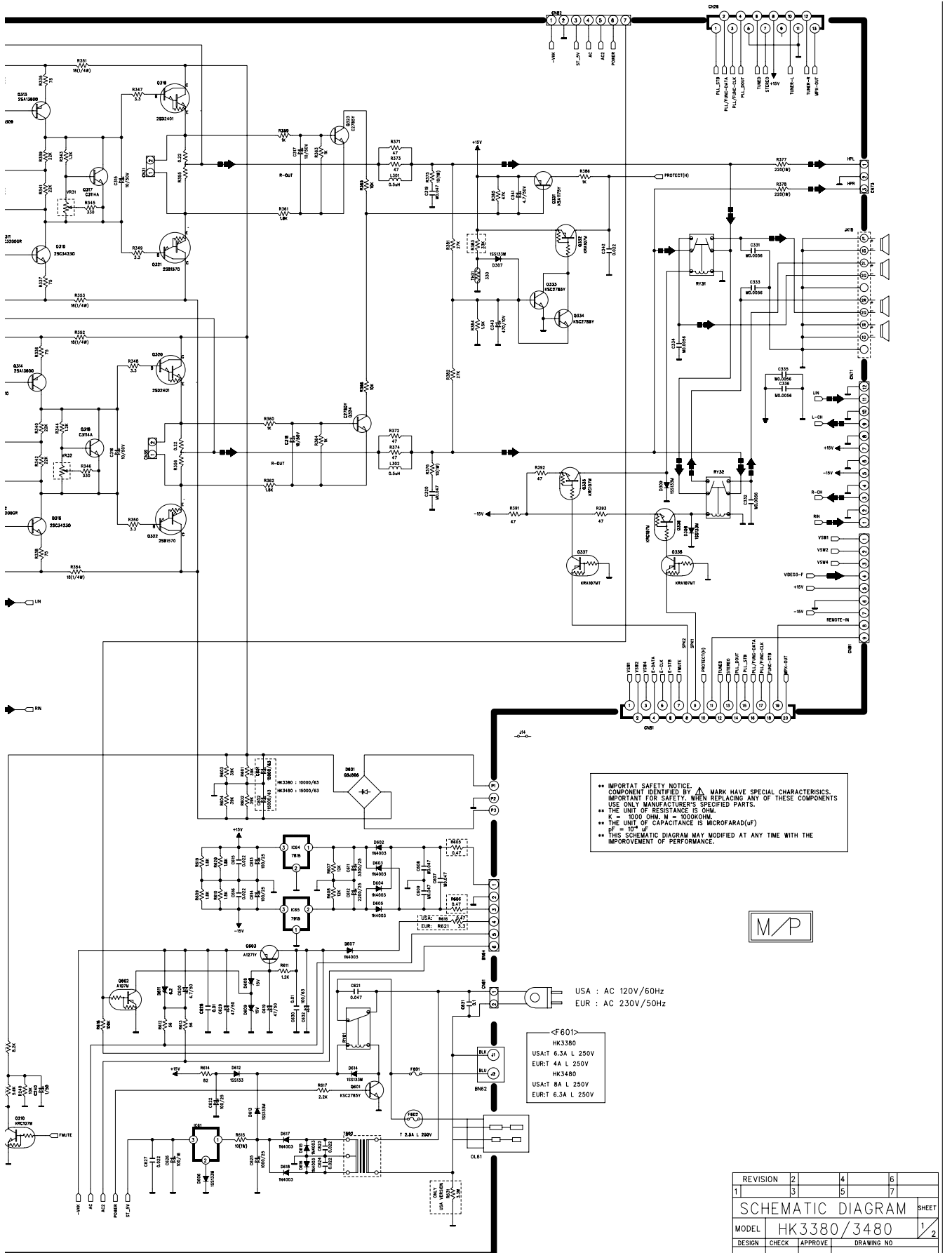
USA : AC 120V/60Hz
 EUR : AC 230V/50Hz

601
 HK3380
 USA:T 6.3A L 250V
 EUR:T 4A L 250V
 HK3480
 USA:T 8A L 250V
 EUR:T 6.3A L 250V



REVISION	2	4	6
1	3	5	7
SCHEMATIC DIAGRAM SHEET			
MODEL	CHK	3480	1/2
DESIGN	CHEK	APPROVE	DRAWING NO
C.D.C.K.D.G.L.H.W			1654-SCMZ
03.07.20			





** IMPORTANT SAFETY NOTICE: COMPONENT IDENTIFIED BY MARK HAVE SPECIAL CHARACTERISTICS. IMPORTANT FOR SAFETY: WHEN REPLACING ANY OF THESE COMPONENTS USE ONLY MANUFACTURER'S SPECIFIED PARTS.

- THE UNIT OF RESISTANCE IS OHM.
- K = 1000 OHM, M = 10000OHM.
- THE UNIT OF CAPACITANCE IS MICROFARAD (uF)
- uF = 10⁻⁶ F

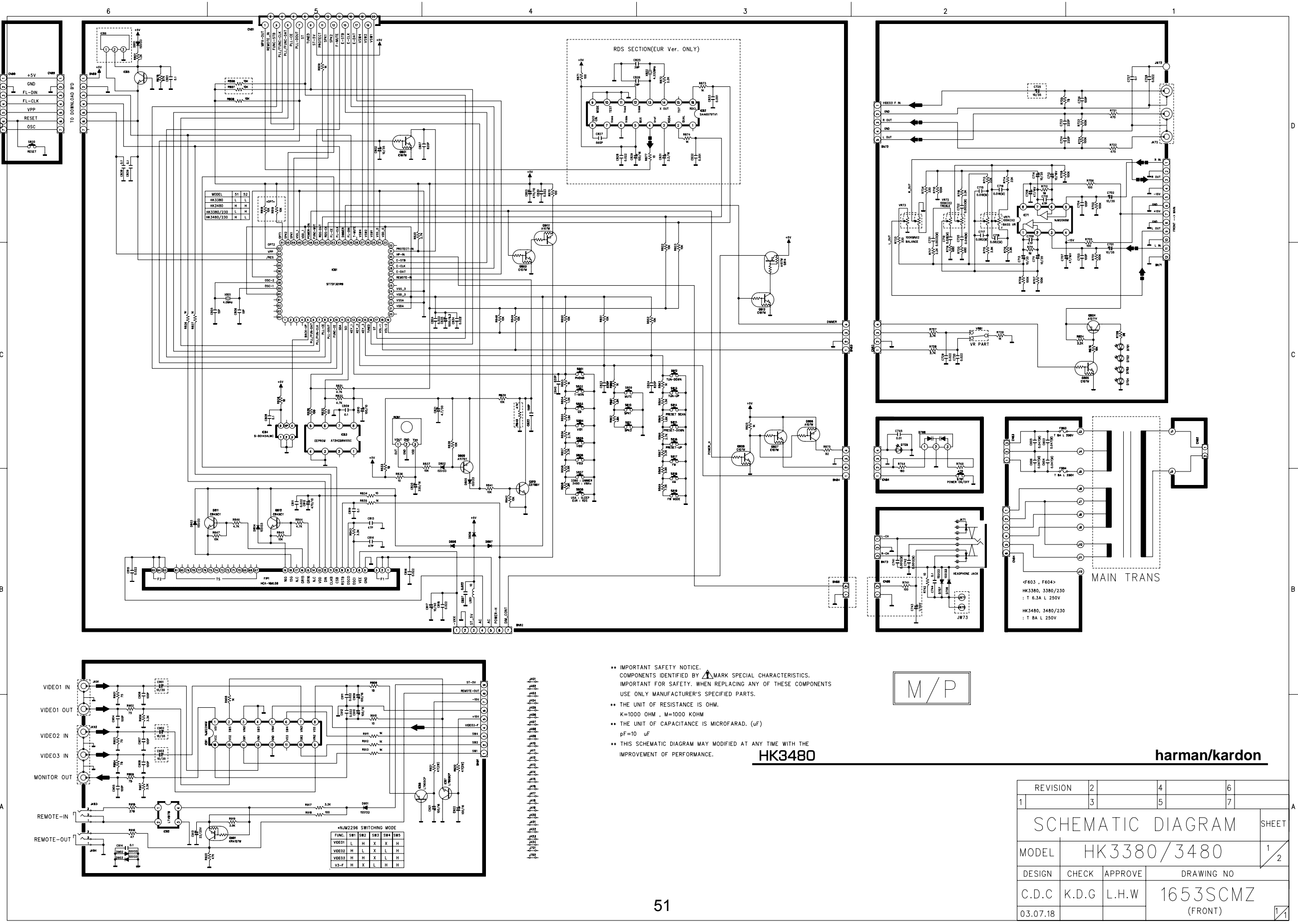
*** THIS SCHEMATIC DIAGRAM MAY MODIFIED AT ANY TIME WITH THE IMPROVEMENT OF PERFORMANCE.



USA : AC 120V/60Hz
 EUR : AC 230V/50Hz

<F601>
 HK3380
 USA:T 6.3A L 250V
 EUR:T 4A L 250V
 HK3480
 USA:T 8A L 250V
 EUR:T 6.3A L 250V

REVISION	2	4	6
	3	5	7
SCHEMATIC DIAGRAM			
MODEL	HK3380/3480		
DESIGN	CHECK	APPROVE	DRAWING NO
C.D.C.K.D.G.L.H.W			1654SCMZ
03.07.20			



MODEL	S1	S2
HK3380	L	L
HK3480	H	H
HK3380/230	L	H
HK3480/230	H	L

±N42296 SWITCHING MODE

FUNC.	SW1	SW2	SW3	SW4	SW5
VIDEO1	L	H	X	X	H
VIDEO2	H	L	X	L	H
VIDEO3	H	H	X	L	H
V3-F	H	X	L	H	H

- ** IMPORTANT SAFETY NOTICE. COMPONENTS IDENTIFIED BY MARK SPECIAL CHARACTERISTICS. IMPORTANT FOR SAFETY. WHEN REPLACING ANY OF THESE COMPONENTS USE ONLY MANUFACTURER'S SPECIFIED PARTS.
- ** THE UNIT OF RESISTANCE IS OHM. K=1000 OHM, M=1000 KOHM
- ** THE UNIT OF CAPACITANCE IS MICROFARAD. (uF) pF=10 uF
- ** THIS SCHEMATIC DIAGRAM MAY MODIFIED AT ANY TIME WITH THE IMPROVEMENT OF PERFORMANCE.

HK3480

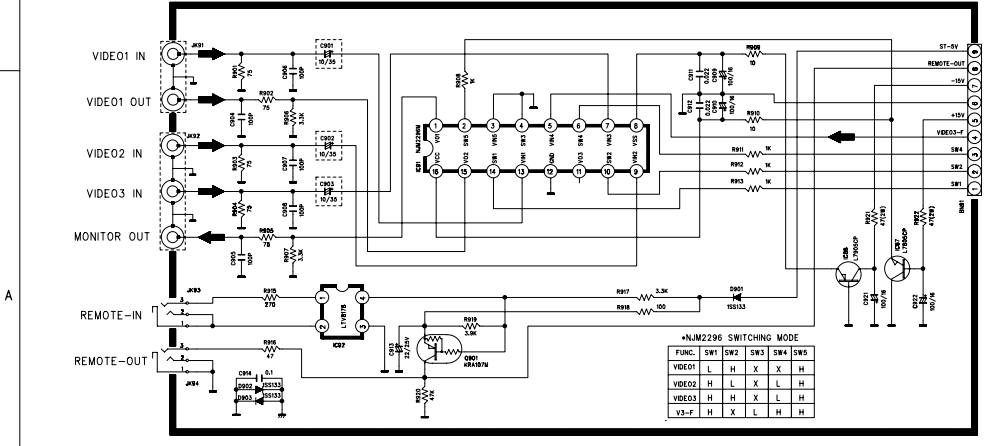
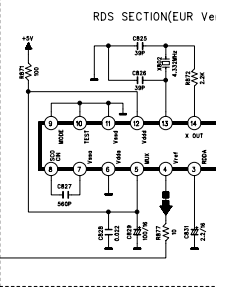
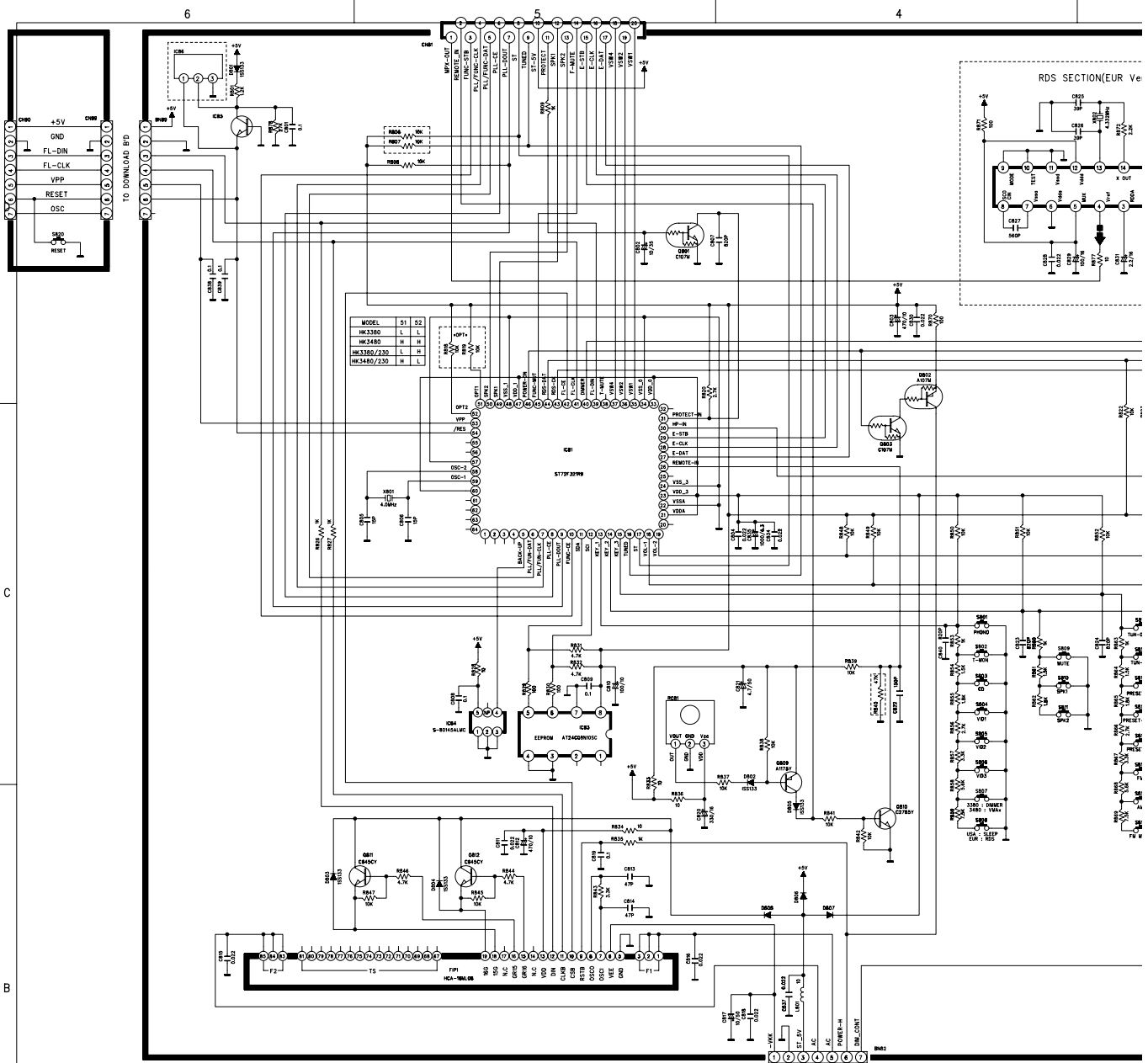
M/P

harman/kardon

REVISION	2	4	6
1	3	5	7

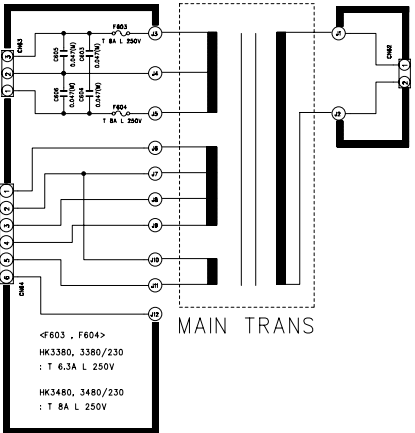
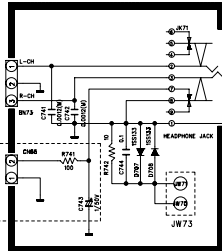
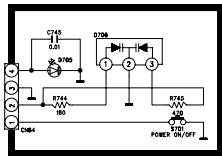
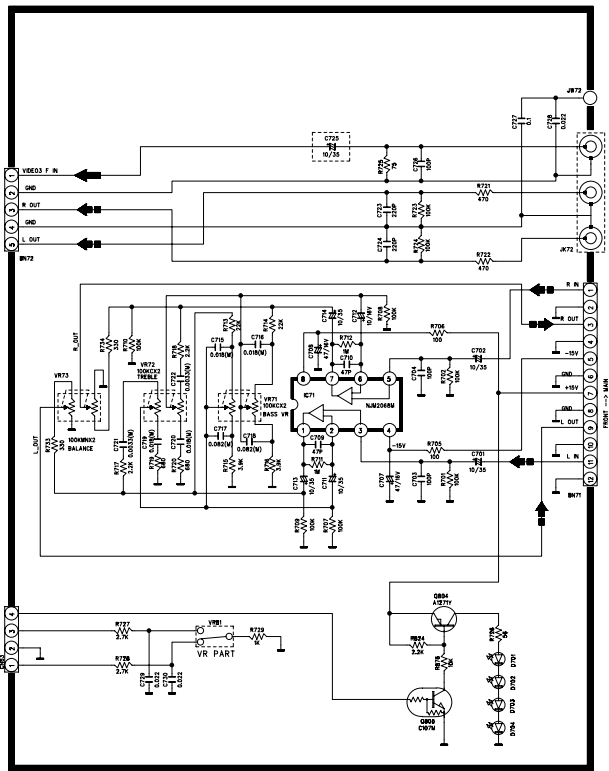
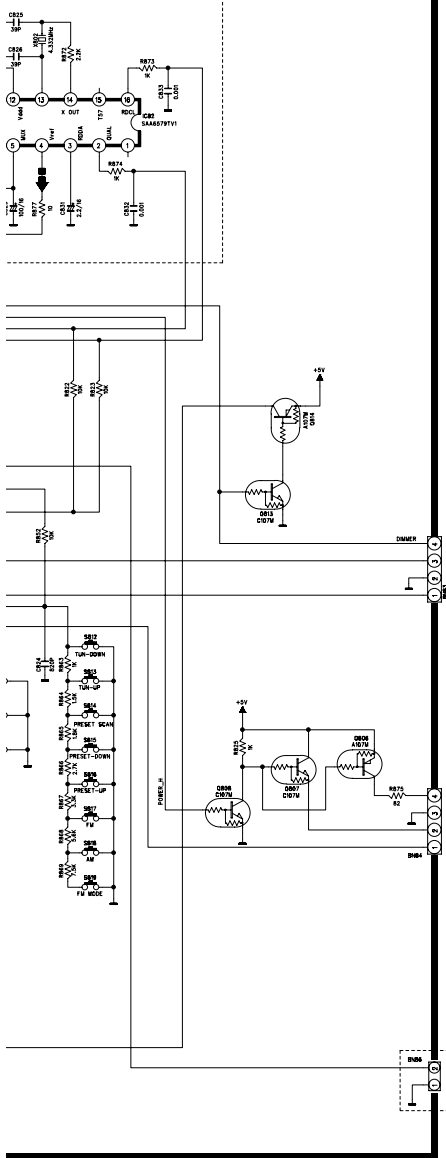
SCHEMATIC DIAGRAM SHEET

MODEL	HK3380/3480		1/2
DESIGN	CHECK	APPROVE	DRAWING NO
C.D.C	K.D.G	L.H.W	1653SCMZ
03.07.18			(FRONT)



- .. IMPORTANT SAFETY COMPONENTS IDENT
- .. IMPORTANT IDENT FOR SA
- .. USE ONLY MANUFA
- .. THE UNIT OF RESIS K=1000 OHM, M=1
- .. THE UNIT OF CAPA pF=10 uF
- .. THIS SCHEMATIC DI IMPROVEMENT OF P

SECTION(EUR Ver. ONLY)



*PART SAFETY NOTICE.
 COMPONENTS IDENTIFIED BY MARK SPECIAL CHARACTERISTICS.
 *PART FOR SAFETY. WHEN REPLACING ANY OF THESE COMPONENTS
 ONLY MANUFACTURER'S SPECIFIED PARTS.
 UNIT OF RESISTANCE IS OHM.
 100 OHM, M=1000 KOHM
 UNIT OF CAPACITANCE IS MICROFARAD. (uF)
 10 uF
 SCHEMATIC DIAGRAM MAY MODIFIED AT ANY TIME WITH THE
 IMPROVEMENT OF PERFORMANCE.



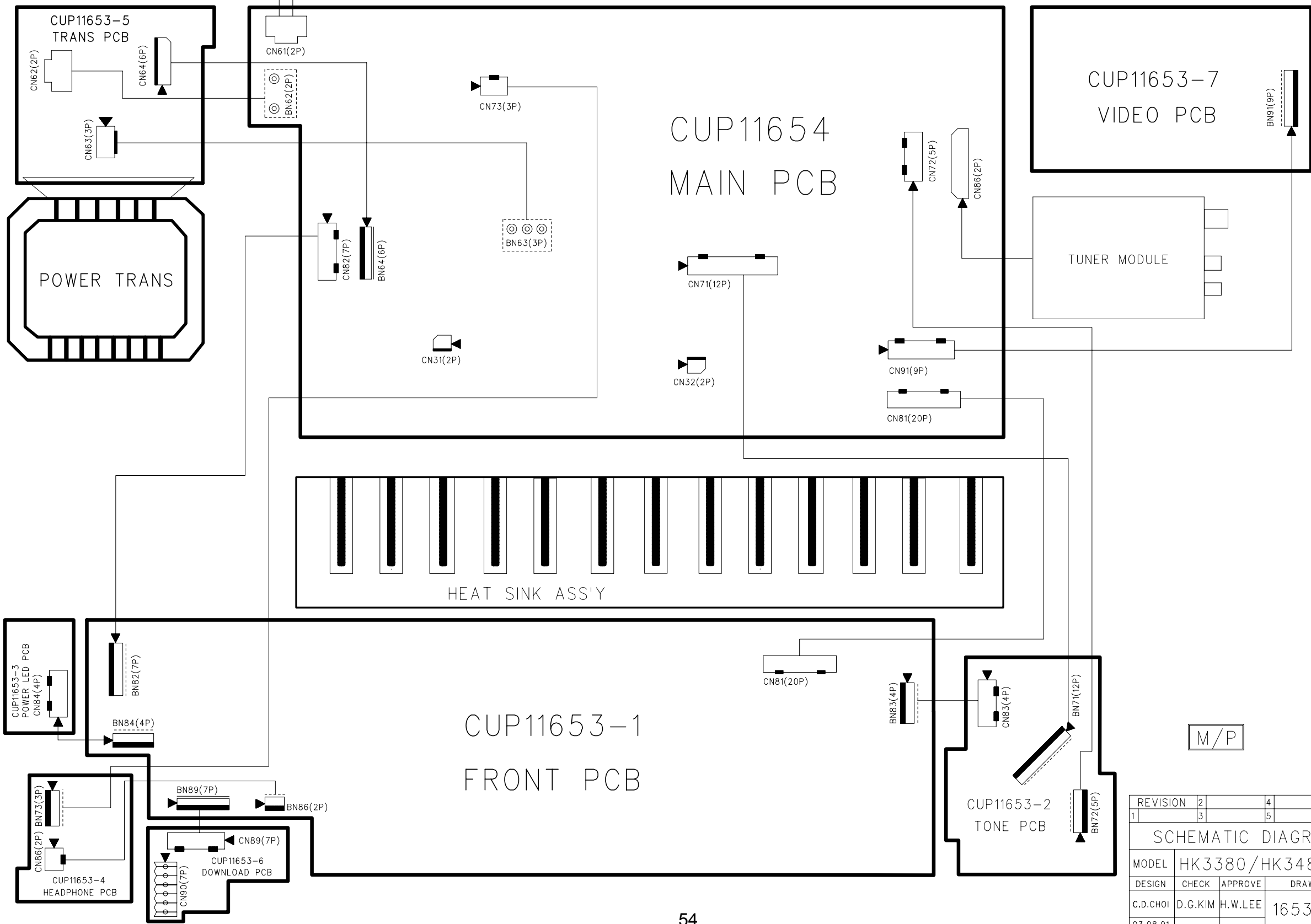
HK3480

harman/kardon

REVISION	2	4	6
1	3	5	7
SCHEMATIC DIAGRAM			SHEET
MODEL	HK3380/3480		1/2
DESIGN	CHECK	APPROVE	DRAWING NO
C.D.C	K.D.G	L.H.W	1653SCMZ
03.07.18			(FRONT)

HK3380/HK3480 WIRING DIAGRAM

120V 60Hz



M/P

REVISION	2	4	6
1	3	5	7
SCHEMATIC DIAGRAM			SHEET
MODEL	HK3380/HK3480		1/1
DESIGN	CHECK	APPROVE	DRAWING NO
C.D.CHOI	D.G.KIM	H.W.LEE	1653WCMZ
03.08.01			1/1