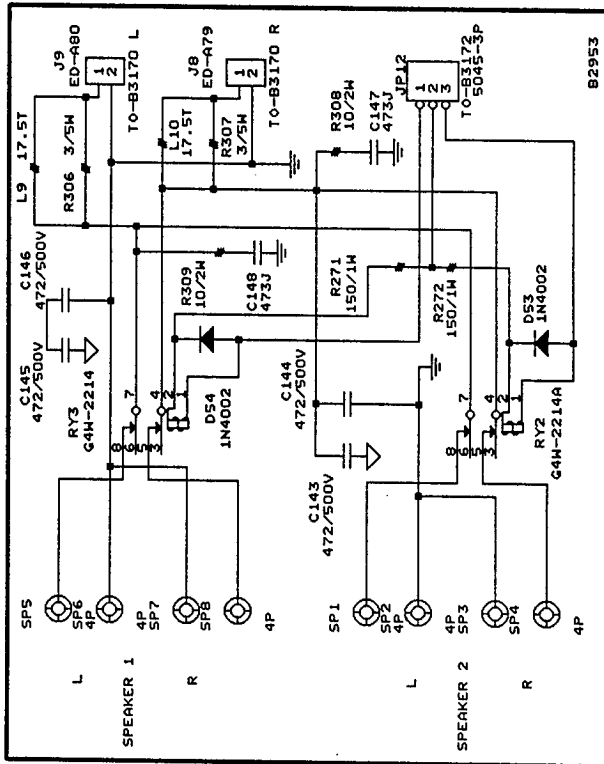
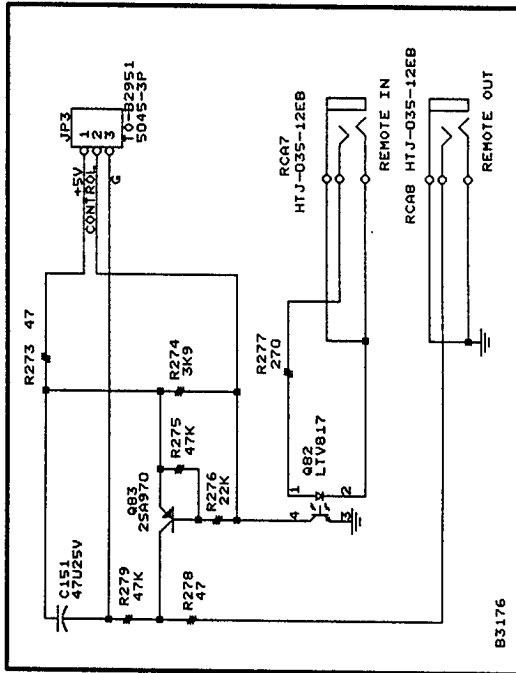
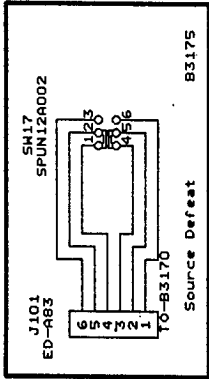
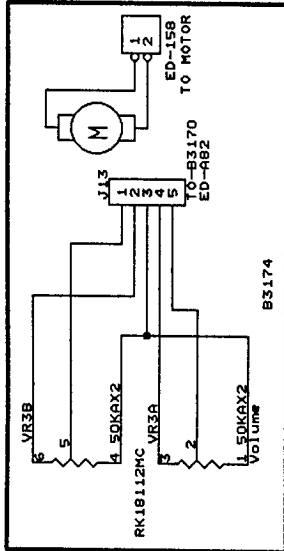


Speaker 1

Speaker 2



MODEL : HK650

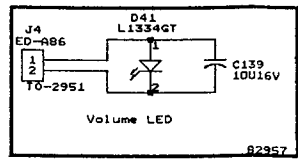
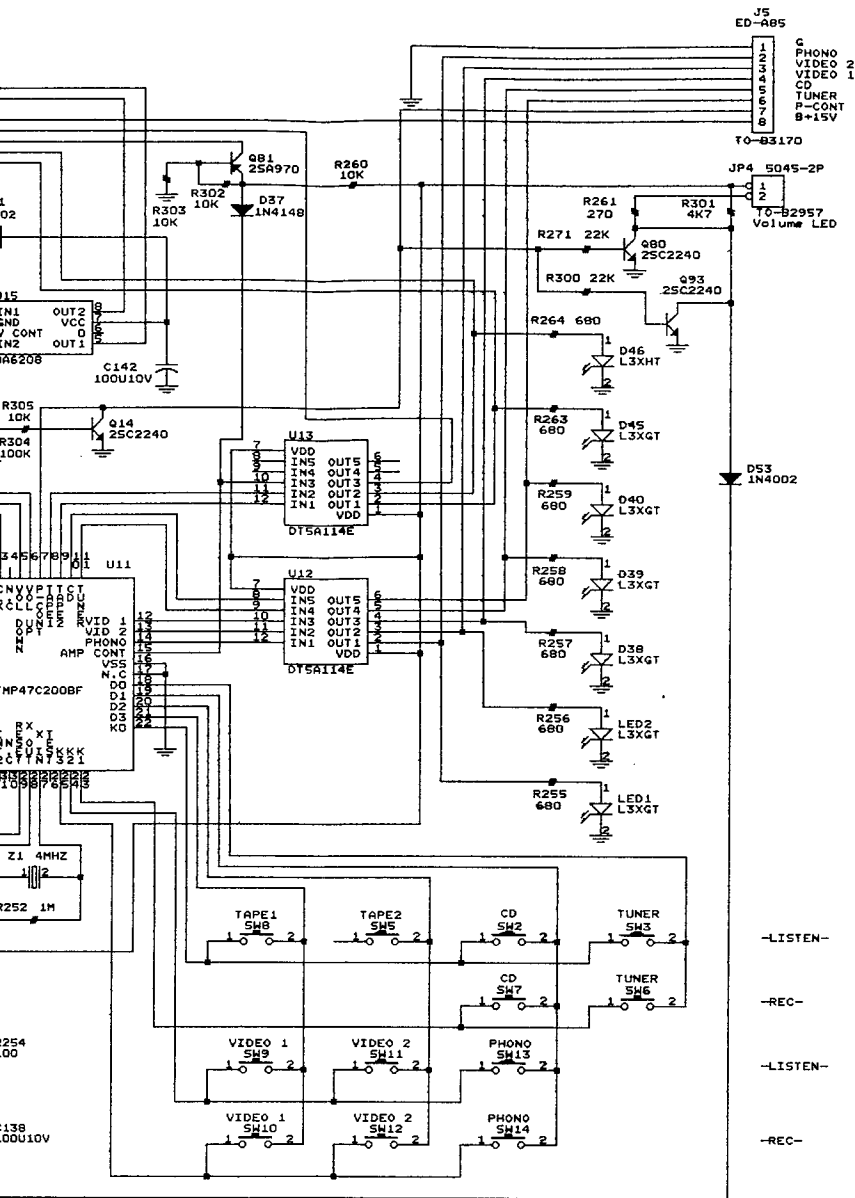
MANGINE ELECTRONICS CO., LTD.

Size Document Number

A3 B2952-6-SCH

Date: September 10, 1988 Sheet 4 of 4

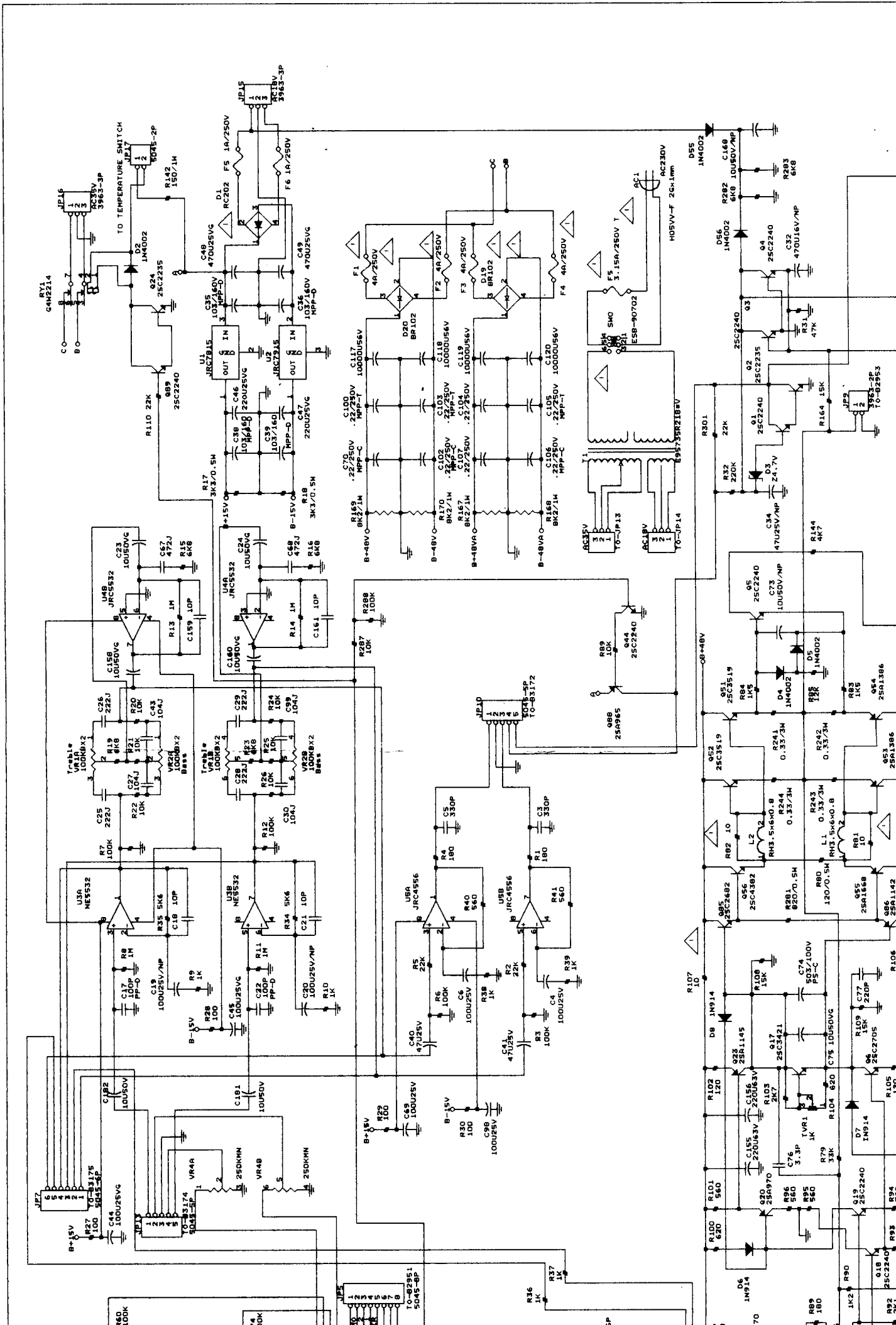


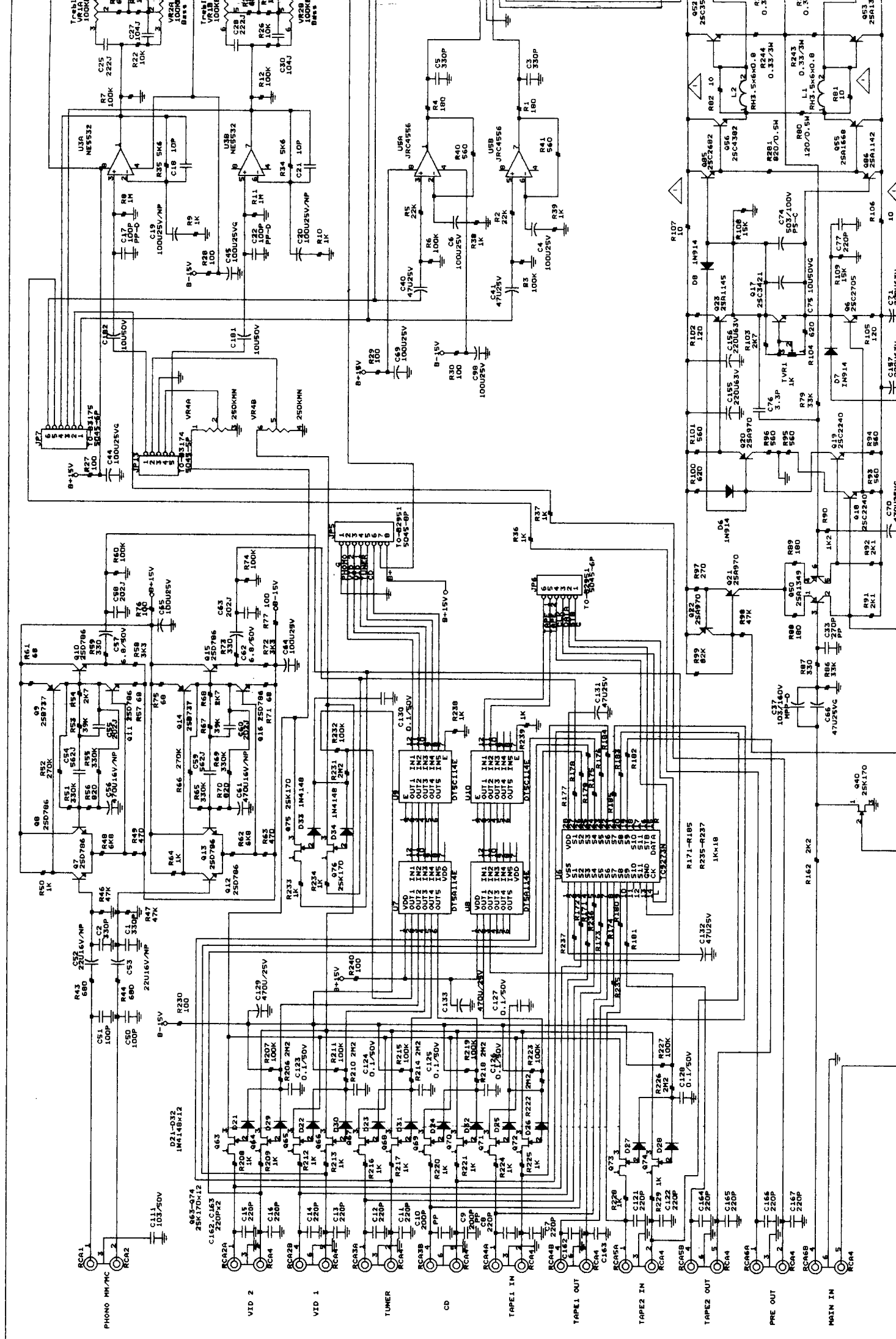


-LISTEN-  
 -REC-  
 -LISTEN-  
 -REC-

MODEL : HK650

|                               |                    |              |
|-------------------------------|--------------------|--------------|
| HANGINE ELECTRONICS CO., LTD. |                    |              |
| Size                          | Document Number    | REV          |
| A2                            | B2951.SCH          |              |
| Date:                         | September 10, 1998 | Sheet 3 of 4 |





PHONO MM/MC

VID 2

VID 1

TUNER

CD

TAPE IN

TAPE OUT

TAPE IN

TAPE OUT

PRE OUT

MAIN IN



