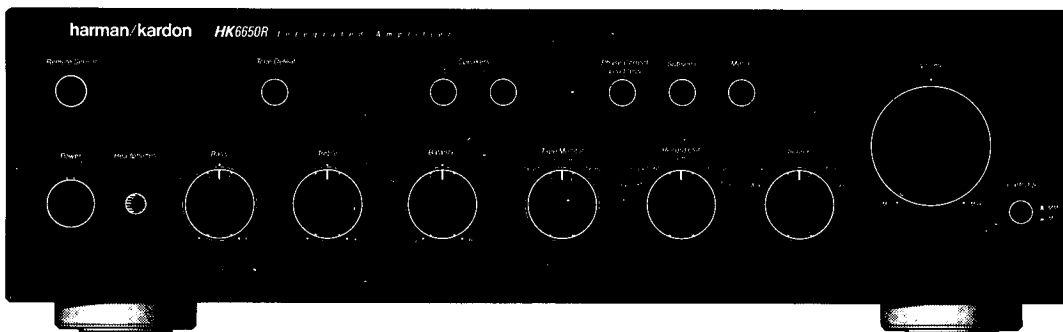


The Harman Kardon Model HK6650R INTEGRATED AMPLIFIER

Manual 186A

Technical Manual



The following marks found in the parts list of this manual identify the models as follows.

- BK** : North America area model Black version
- G** : German model
- GB** : German model Black version
- IB** : International model Black version
- WB** : Asia/Oceania model Black version

CONTENTS

SPECIFICATIONS	2	ALIGNMENT PROCEDURES	8
LEAKAGE TEST	2	BLOCK DIAGRAM	8
DISASSEMBLY PROCEDURES	3	P. C. BOARDS	9
POWER CORD REPLACEMENT	3	ELECTRICAL PARTS LIST	13
CONTROLS AND FUNCTIONS	4	SCHEMATIC DIAGRAMS	21
GENERAL UNIT PARTS LIST	6	WIRING DIAGRAM	25
GENERAL UNIT	7		

harman/kardon

Parts and Service Office
240 Crossways Park West, Woodbury, N.Y. 11797
1112-0240A152 P-129203 1500 Printed in Japan

HK6650R

SPECIFICATIONS

	Nominal	Limit		Nominal	Limit
RMS Output Power			Tone Control Characteristics		
8 Ω, 1 kHz THD 0.08 %	105 W	≥ 100 W BK G GB WB	Bass (at 50 Hz)		
	77.5 W	≥ 70 W IB	Boost		10 dB±2 dB
	116 W	≥ 100 W	Cut		10 dB±2 dB
4 Ω, 1 kHz THD 0.1 %			Treble (at 10 kHz)		
High-instantaneous Current Capability (HCC)	80 A	≥ 70 A BK G GB WB	Boost		10 dB±2 dB
	72 A	≥ 65 A IB	Cut		10 dB±2 dB
Half Power Bandwidth	<10 Hz~100 kHz	<10 Hz~70 kHz	Phase Correct Loudness (at 50 Hz)		6 dB±3 dB
Frequency Response (at -3 dB down)	0.25 Hz~280 kHz	<1 Hz~≥250 kHz BK IB WB	Filters		
	0.25 Hz~240 kHz	<1 Hz~≥200 kHz G GB	Subsonic 15 Hz		-3 dB±1 dB BK IB WB
					-6 dB±1 dB G GB
Input Sensitivity			DC Output Voltage		
CD	135 mV ± 25 mV		L channel		0 mV±60 mV
Phono (MM)	2.2 mV ± 0.3 mV	BK IB WB	R channel		0 mV±60 mV
	2.3 mV ± 0.3 mV	G GB	RIAA Equalization at Tape Out (20 Hz/20 kHz) (No load)		+0.2 dB±0.5 dB / 0 dB±0.5 dB
Phono (MC)	130 μV ± 20 μV	BK IB WB	Phono Over load (No load)		
	140 μV ± 20 μV	G GB	Phono (MM)		200 mV ≥ 160 mV
Signal to Noise Ratio			Phono (MC)		11 mV ≥ 8 mV
CD	76 dB	≥ 70 dB BK G GB WB	Dimensions (W × H × D)		17-1/2" × 5-1/4" × 15-11/16" (443 × 134 × 398 mm)
Phono (MM)	79 dB	≥ 75 dB IB	Weight		24.7 lbs (11.2 kg)
	75 dB	≥ 65 dB BK G GB WB	Power Supplies		
	78 dB	≥ 73 dB IB	North America area model		AC 120, 60 Hz
Phono (MC)	73 dB	≥ 65 dB BK G GB WB	International model		AC 230/240 V, 50/60 Hz
	76 dB	≥ 72 dB IB	Power Consumption		
Channel Separation (at 10 kHz)			North America area model		220 W (290VA)
CD	52 dB	≥ 43 dB	International model		250 W
Phono (MM)	54 dB	≥ 43 dB			
Phono (MC)	47 dB	≥ 43 dB BK G GB WB			
	50 dB	≥ 43 dB IB			
IM Distortion Ratio	0.027 %	≤ 0.1 %			
Damping Factor (at 1 kHz)	75	≥ 65 BK G GB WB			
	84	≥ 65 IB			

These specifications are service target specs.

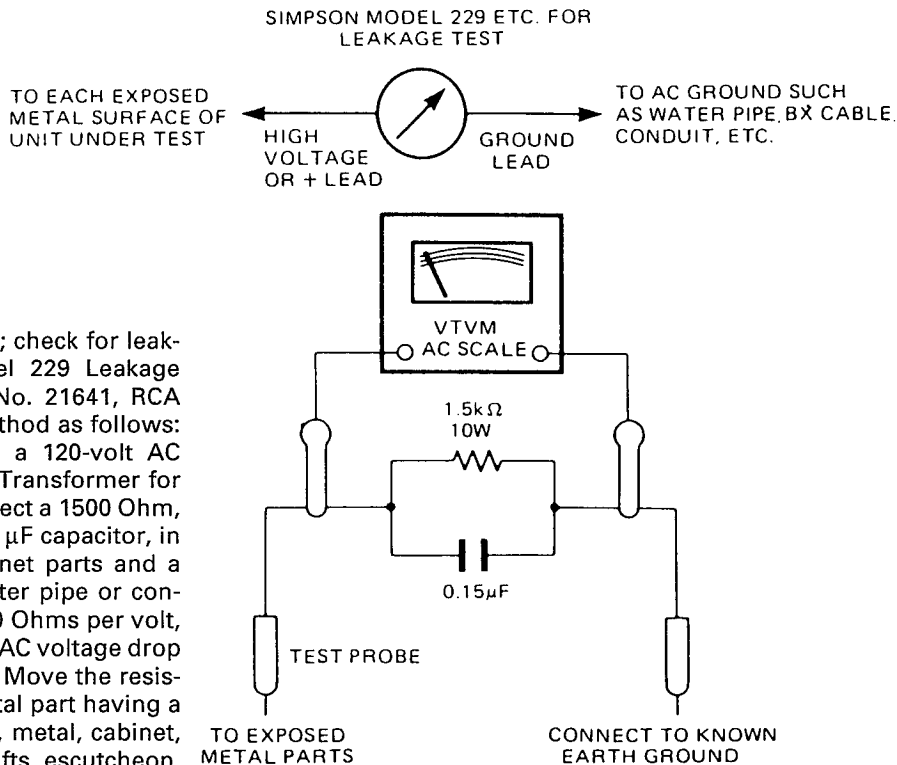
Specifications and components are subject to change without notice. Overall performance will be maintained or improved.

LEAKAGE TEST (FOR SERVICE ENGINEERS IN THE U.S.A)

Before returning the unit to the user, perform the following safety checks:

1. Inspect all lead dress to make certain that leads are not pinched or that hardware is not lodged between the chassis and other metal parts in the unit.
2. Be sure that any protective devices such as nonmetallic control knobs, insulating fishpapers, cabinet backs, adjustment and compartment covers or shields, isolation resistor-capacity networks, mechanical insulators, etc. which were removed for servicing are properly reinstalled.
3. Be sure that no shock hazard exists; check for leakage current using Simpson Model 229 Leakage Tester, standard equipment item No. 21641, RCA Model WT540A or use alternate method as follows: Plug the power cord directly into a 120-volt AC receptacle (do not use an Isolation Transformer for this test). Using two clip leads, connect a 1500 Ohm, 10-watt resistor paralleled by a 0.15 μF capacitor, in series with all exposed metal cabinet parts and a known earth ground, such as a water pipe or conduit. Use a VTVM or VOM with 1000 Ohms per volt, or higher sensitivity to measure the AC voltage drop across the resistor. (See Diagram.) Move the resistor connection to each exposed metal part having a return path to the chassis (antenna, metal, cabinet, screw heads, knobs and control shafts, escutcheon, etc.) and measure the AC voltage drop across the resistor. (This test should be performed with the power switch in both the On and Off positions.)

A reading of 0.35 volt RMS or more is excessive and indicates a potential shock hazard which must be corrected before returning the unit to the owner.



DISASSEMBLY PROCEDURES (REFER TO PAGES 7 AND 25)

1 CABINET TOP (131) REMOVAL

Remove 8 screws (A) and then remove the Cabinet Top (131).

2 FRONT PANEL ASS'Y (AA) REMOVAL

1. Remove the Cabinet Top (131), referring to the previous step 1.
2. Remove 5 screws (B) and then remove the Front Panel Ass'y (AA).

3 MAIN P. C. BOARD (PCB-1) REMOVAL

1. Remove 11 screws (C) and then remove the Cabinet Bottom Ass'y (AC).
2. Remove the Front Panel Ass'y (AA), referring to the previous step 2.
3. Remove 7 screws (D) and then remove the Main P. C. Board (PCB-1) with the Heat Sink (181). At this time, unsolder the lead wires connected to the Main P. C. Board (PCB-1).

4 POWER SUPPLY P. C. BOARD (PCB-2) REMOVAL

1. Remove 11 screws (C) and then remove the Cabinet Bottom Ass'y (AC).
2. Remove the Front Panel Ass'y (AA), referring to the previous step 2.
3. Pull out the 2 Shafts (216).
4. Remove 5 screws (E) and then remove the Power Supply P. C. Board (PCB-2). At this time, unsolder the lead wires connected to the Power Supply P. C. Board (PCB-2).

5 POWER SWITCH P. C. BOARD (PCB-3)

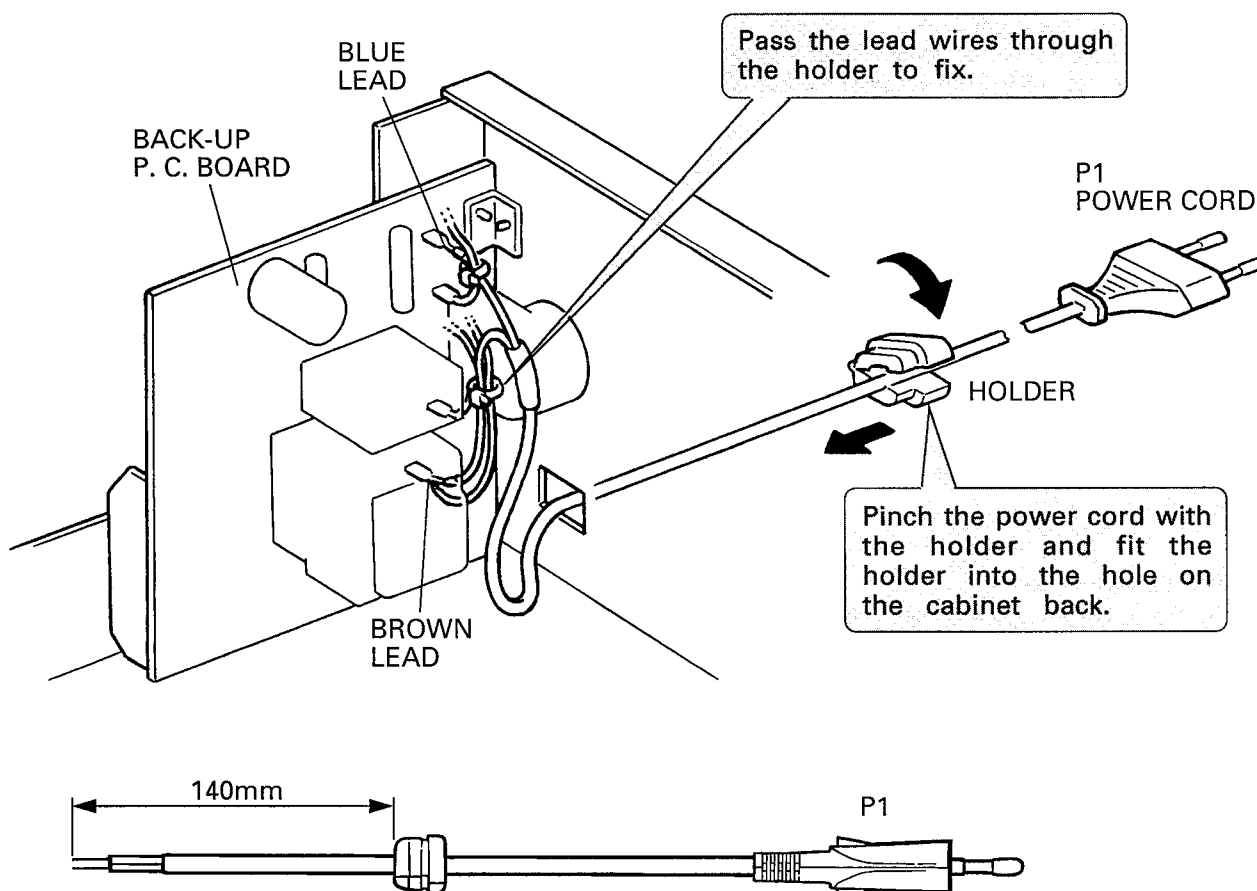
1. Remove the Front Panel Ass'y (AA), referring to the previous step 2.
2. Pull out the 2 Levers (213).
3. Remove 3 screws (F), then remove the Power Switch P. C. Board (PCB-3). If necessary unsolder the lead wires.

6 TONE 1 P. C. BOARD (PCB-5) REMOVAL

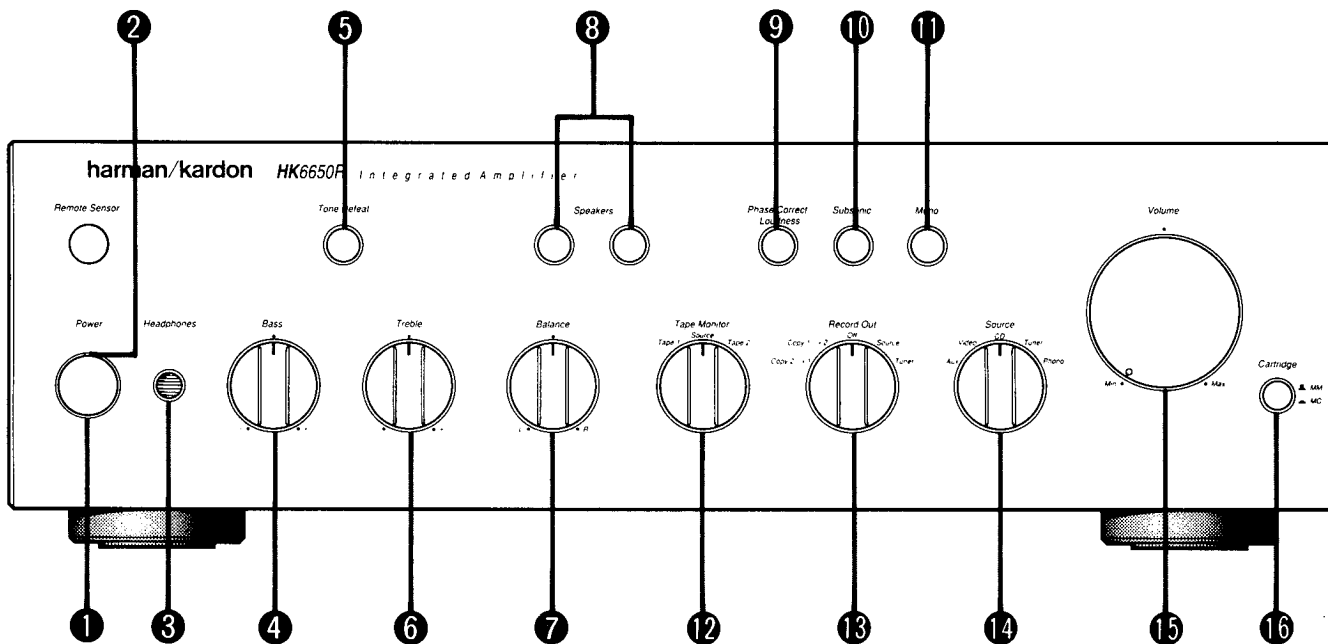
1. Remove the Front Panel Ass'y (AA), referring to the previous step 2.
2. Pull out the 2 Shafts (216).
3. Pull out the 6 Rotary Knobs (152), Power Push Button (146) and Levers (213).
4. Remove 3 screws (G) and 4 screws (H) mounting the Metal Fitting (165), then remove the Metal Fitting (165) with the Equalizer P. C. Board (PCB-10).
5. Remove the Metal Fixture (I) fixing the Headphones P. C. Board (PCB-12) and then remove it.
6. Remove 3 hexagon nuts (J) and remove 10 screws (K).
7. Remove 7 screws (L) and the Chassis (161), then the Tone 1 P. C. Board (PCB-5), Tone 2 P. C. Board (PCB-6), Volume P. C. Board (PCB-7) and Remote P. C. Board (PCB-14) can be removed. Unsolder the lead wires if necessary when removing each P. C. Board.

POWER CORD REPLACEMENT (FOR SERVICE ENGINEERS OTHER THAN NORTH AMERICA)

In order to prevent fire or shock hazard when replacing the power cord, follow the procedure below to replace the parts with the standard supply parts.



CONTROLS AND FUNCTIONS



1 POWER Switch

Press this switch to turn the unit "On". Pressing it again will turn the unit off. While it is in the "On" position, the remote control can switch the unit between the "On" and "Standby" modes. The remote control is inactive when this switch is "Off". Note that this unit will draw a small amount of power when this switch is "Off".

2 POWER Indicator

With the power switch is in the "On" position, this indicator is illuminated in green when the unit is "On", and is illuminated in amber when the unit is in "Standby". This indicator will not illuminate when the power switch is "Off".

3 HEADPHONES Jack

Stereo headphones with a standard 1/4 inch plug can be connected to this jack. When the *SPEAKERS* switches are in the *Off* position, sound can still be obtained via the headphone jack.

4 BASS Control Knob

This knob controls the low frequency sound level. Turn it clockwise to boost or counterclockwise to reduce the low frequency sound level.

5 Tone Defeat Switch

This switch is used to make the frequency characteristic flat by internally bypassing the tone control circuitry. Set this switch to the OFF position (button out) when you want to use the tone control knobs.

6 TREBLE Control Knob

This knob controls the high frequency sound level. Turn it clockwise to boost or counterclockwise to reduce the high frequency sound level.

7 BALANCE Control Knob

This knob is used to balance the left and the right channels. Usually, it is set at the center. Turn it to the left or right to balance the sound if it seems unbalanced from the speakers or the headphones.

8 SPEAKERS switches

Press "1" to activate speaker system 1. Press "2" to activate speaker system 2. Press both "1" and "2" to activate both speaker systems. Release both "1" and "2" to listen to only to headphones.

9 Phase Correct Loudness Switch

This switch activates a unique low frequency equalization circuit that provides full, natural sound from small speakers that are normally deficient in the bass region. It can also be used in place of conventional loudness compensation.

10 Subsonic Filter Switch

When playing the turntable, this filter switch is used to reduce subsonic frequencies, which may excessively vibrate the speaker cones or turntable and cause feedback.

11 Mono Switch

This switch is used to combine the left and right channels and create a mono signal.

12 TAPE MONITOR Selector

This selector is used when playing a tape deck, or monitoring during recording.

- Tape 1** : Select this position to play a cassette tape, or to monitor during recording on the tape deck connected to the TAPE 1 jacks.
- Source** : Select this position to listen to a program source other than a cassette tape.
- Tape 2** : Select this position to play a cassette tape, or to monitor during recording on the tape deck connected to the TAPE 2 jacks.

13 RECORD OUT Selector

This selector is used for recording from another input on the tape deck(s) connected to the TAPE 1 and/or TAPE 2 jacks, for dubbing between two tape decks, or for recording another source independent of the SOURCE selector.

- Tuner** : In this position, the tuner signal is available at the TAPE 1 and TAPE 2 OUTPUT jacks regardless of the position of the SOURCE selector. This permits recording the tuner signal on the tape deck(s) connected to TAPE 1 and/or TAPE 2 jacks while using the preamplifier and power amplifier sections in another mode (Phono, CD or other sources, for example).
- Source** : Select this position to record the program source selected by the SOURCE selector in either or both of the two tape decks connected to the TAPE 1 and TAPE 2 jacks.
- Off** : Select this position to prevent the degradation of quality when recording function is not operated.
- Copy 1 → 2** : Select this position to duplicate the cassette tape in the deck connected to the TAPE 1 jacks onto the tape in the deck connected to the TAPE 2 jacks.
- Copy 2 → 1** : Select this position to duplicate the cassette tape in the deck connected to the TAPE 2 jacks onto the tape in the deck connected to the TAPE 1 jacks.

14 SOURCE Selector

This selector is used to select a program source other than a tape.

- AUX** : Select this position to listen to the sound from a component connected to the AUX jacks.
- Video** : Select this position to playback the audio signal from an audio/video component such as a camcorder, video player, or TV tuner connected to the VIDEO jacks.
- CD** : Select this position to listen to the sound from the compact disc player connected to the CD jacks.
- Tuner** : Select this position to listen to an FM or AM broadcast from the stereo tuner connected to the TUNER jacks.
- Phono** : Select this position to listen to a disc played on the turntable connected to the PHONO MM or MC jacks.

15 VOLUME Control Knob

This knob controls the sound level. Turning clockwise increases the sound volume, and turning counterclockwise decreases it. Set this knob at a minimum level before turning the power on or changing the sound source to protect the speakers from being damaged by a sudden high level sound.

16 Cartridge Selector

This switch selects the gain and input impedance of the phono input circuitry to match the type of phono cartridge used. Be sure to connect the turntable to the appropriate PHONO input jacks (MM for moving magnet type cartridges and MC for moving coil type cartridges), and to select that input with this selector switch.

REMOTE CONTROL SYSTEM

Using the remote control - The system remote control can switch the amplifier's power status between "on" and "standby". The amplifier's power switch must be manually set in the "on" position in order for the remote control to function.

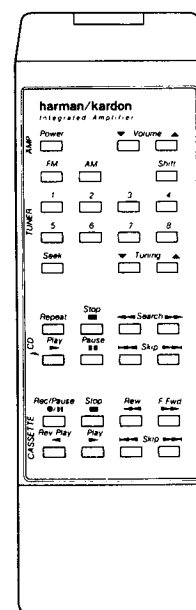
The volume up and down buttons control the position of the amplifier's volume control knob.

In addition to this amplifier, this system remote control can operate many basic functions on the following Harman Kardon tuners, CD players and cassette decks:

HD7450	HD7600II	TD4200*	TD4800	TU9200*
HD7500	TL8500	TD4400*	DC5300*	TU9400
HD7500II	TL8600	TD4500	DC5500	TU9600
HD7600		TD4600	DC5700	

Please refer to the owner's manual for each unit for operating instructions.

* These units must be connected to the amplifier's remote control units output jacks so that the system remote control can operate them.



GENERAL UNIT PARTS LIST

Ref. No.	Part No.	Description	Ref. No.	Part No.	Description
AA	A443-HK6650RA	FRONT PANEL ASSEMBLY G	163	2219-8007	METAL FITTG, TRANS
AA	A443-HK6650RB	FRONT PANEL ASSEMBLY BK GB IB WB	164	2219-8364	METAL FITTG, H. CENTER
AB	A424-HK6650RA	CABINET BACK ASSEMBLY BK	165	2219-8009	METAL FITTG, EQ
AB	A424-HK6650RC	CABINET BACK ASSEMBLY G GB IB	166	2219-8010	METAL FITTG, TRANS SIDE
AB	A424-HK6650RG	CABINET BACK ASSEMBLY WB	167	2219-8011	METAL FITTG, EQ SIDE
AC	A424-HK6650RB	CABINET BOTTOM ASSEMBLY BK	168	2219-8012	METAL FITTG, EQ CENTER
BA	B219-HK6650RA	METAL FITTG ASSEMBLY BK	169	2219-8013	METAL FITTG, TRANS CENTER
024	2219-8350	METAL FITTG, BACK UP P.C. BOARD (x2) G GB IB WB	170	2219-8366	METAL FITTG, MAIN HEAT
025	2347-R0130062	SCREW, BND T+ (3x6 mm)(x2) G GB IB WB	171	2219-8367	METAL FITTG, MAIN HEAT
026	2459-3003511	RIVET, PLASTIC, BACK UP P.C. BOARD (x2) G GB IB WB	172	2219-8016	METAL FITTG, POWER SWITCH
028	1756-21906	LABEL, DBP NO. G GB	173	2219-8019	METAL FITTG, POWER P.C. BOARD
113	1117-78	SERIAL LABEL	174	2219-7879	METAL FITTG, HEADPHONES
115	1751-01018	LABEL, UL BK	175	2219-8365	METAL FITTG, P.C. BOARD BOTTOM
116	1756-05910	LABEL, FUSE CAUTION BK	176	2219-8349	METAL FITTG, P.C. BOARD METAL
131	1414-10401	CABINET TOP	177	2219-8298	METAL FITTG, REMOTE IN/OUT P.C. BOARD
133	1423-03101	CABINET BOTTOM	180	2222-7179	HEAT SINK, DRIVER (x2)
134	1424-36001	CABINET BACK BK	181	2222-7312	HEAT SINK, MAIN
134	1424-36002	CABINET BACK G GB IB	182	2222-7179	HEAT SINK, TONE
134	1424-36003	CABINET BACK WB	183	2222-7183	HEAT SINK, EQ
136	1443-14303	PANEL, FRONT G	184	2222-7269	HEAT SINK, BRIDGE
136	1443-14304	PANEL, FRONT BK GB IB WB	187	2240-7395	HOLDER, PRE OUT/MAIN IN SWITCH
138	1532-21101	WINDOW	188	2240-7359	HOLDER, 4/8 SWITCH BK WB
139	1714-02601	NAME PLATE, BADGE G	189	2240-R0101	HOLDER, WIRING (x20)
139	1714-02602	NAME PLATE, BADGE BK GB IB WB	190	2240-R0101	HOLDER, WIRING (x10)
141	1562-08601	FRAME, L SIDE G	191	2240-364	HOLDER, AC CORD
141	1562-08602	FRAME, L SIDE BK GB IB WB	192	2240-7183	HOLDER, MC
142	1562-08701	FRAME, R SIDE G	193	2218-7011	BRACKET, FIX, WIRING
142	1562-08702	FRAME, R SIDE BK GB IB WB	194	2218-R0130	BRACKET, FIX, WIRING (x2)
144	1732-08801	INDICATOR, POWER LED	195	2218-89	BRACKET, FIX, HEADPHONES
146	1662-66901	PUSH BUTTON, POWER G	196	2360-7026	BOSS, SPE, REMOTE SENSOR (x3)
146	1662-66902	PUSH BUTTON, POWER BK GB IB WB	198	2132-7136	SPACER, HEAT METEL (x2)
147	1662-67001	PUSH BUTTON, TONE DEFEAT, PHASE CORRECT LOUDNESS, SUBSONIC, MONO, CARTRIDGE G	200	2224-7090	INSULATOR, HEAT METAL
147	1662-67002	PUSH BUTTON, TONE DEFEAT, PHASE CORRECT LOUDNESS, SUBSONIC, MONO, CARTRIDGE BK GB IB WB	203	2401-0373	WASHER, METAL (x2)
148	1662-67201	PUSH BUTTON, SPEAKERS 1/2 G	204	2401-0373	WASHER, METAL (x2)
148	1662-67202	PUSH BUTTON, SPEAKERS 1/2 BK GB IB WB	206	2402-0374	WASHER, PLASTIC (x4)
150	1630-04801	ROTARY KNOB, VOLUME G	210	2431-0151	FASTENER, BADGE (x2)
150	1630-04802	ROTARY KNOB, VOLUME BK GB IB WB	213	2672-7018	LEVER, POWER SHAFT (x2)
152	1632-21501	ROTARY KNOB, BASS, TREBLE, BALANCE, TAPE MONITOR, RECORD OUT, SOURCE G	216	2601-7206	SHAFT, SPEAKER SHAFT (x2)
152	1632-21502	ROTARY KNOB, BASS, TREBLE, BALANCE, TAPE MONITOR, RECORD OUT, SOURCE BK GB IB WB	220	2651-2101726	SPRING, PUSH BUTTON (x5)
154	1568-00301	FRAME, METAL (x2)	221	2440-60	NUT, SPE (x4)
155	1742-08301	ORNAMENT, POWER G	222	2327-R0140102	SCREW, BND+ (4x10 mm)(x4)
155	1742-08302	ORNAMENT, POWER BK GB IB WB	223	2327-R0126044	SCREW, BND+ (2.6x4 mm)(x2)
156	1742-08401	ORNAMENT, TONE DEFEAT, SPEAKERS 1/2, PHASE CORRECT LOUDNESS, SUBSONIC, MONO, CARTRIDGE G	224	2327-R0130062	SCREW, BND+ (3x6 mm)(x2)
156	1742-08402	ORNAMENT, TONE DEFEAT, SPEAKERS 1/2, PHASE CORRECT LOUDNESS, SUBSONIC, MONO, CARTRIDGE BK GB IB WB	226	2327-R0130064	SCREW, BND+ (3x6 mm)(x2) BK WB
158	1319-02201	LEG, BOTTOM REAR (x2)	228	2327-R0130062	SCREW, BND+ (3x6 mm)(x10)
159	1319-03301	LEG, BOTTOM FRONT (x2)	229	2327-R0130062	SCREW, BND+ (3x6 mm)(x3)
161	2211-7324	CHASSIS, FRONT	230	2347-R0130062	SCREW, BND T+ (3x6 mm)(x2)
			231	2327-R0130064	SCREW, BND+ (3x6 mm)(x2)
			233	2347-R0126082	SCREW, BND T+ (2.6x8 mm)
			234	2347-R0130062	SCREW, BND T+ (3x6 mm)(x20)
			235	2347-R0130062	SCREW, BND T+ (3x6 mm)(x15)
			236	2347-R0130064	SCREW, BND T+ (3x6 mm)(x8)
			237	2347-R0130082	SCREW, BND T+ (3x8 mm)(x12)
			238	2347-R0130084	SCREW, BND T+ (3x8 mm)(x17)
			239	2347-R0130084	SCREW, BND T+ (3x8 mm)(x2)
			240	2347-R0130102	SCREW, BND T+ (3x10 mm)(x5)
			241	2347-R0140064	SCREW, BND T+ (4x6 mm)(x6)
			242	2347-R0130062	SCREW, BND T+ (3x6 mm)(x2)
			243	2347-R0130062	SCREW, BND T+ (3x6 mm)(x2)
			244	2347-R0130062	SCREW, BND T+ (3x6 mm)(x6)
			245	2347-R0130102	SCREW, BND T+ (3x10 mm)(x4)
			246	2343-300826	SCREW, CSK T+ (3x8 mm)
			247	2557-300829	SCREW, B SPW+ (3x8 mm)(x2)
			248	2557-300829	SCREW, B SPW+ (3x8 mm)(x3)
			249	2557-300829	SCREW, B SPW+ (3x8 mm)(x6)
			250	2557-301429	SCREW, B SPW+ (3x14 mm)(x8)
			874	2440-62	NUT, SPE
			898	4214-168	TERMINAL, PHONO GND
			902	4442-14	PIN PLUG, PHONO MC SHORT PLUG (x2)

ALIGNMENT PROCEDURES (REFER TO PAGES 9, 10, 22 AND 23)

- **Conditions :**
- Set the Source selector to the "CD" position.
 - Set the Volume control to minimum.
 - Set the Speaker selector to the "off" position.
 - Make the adjustment at a room temperature of 77°F (25°C).

■ **DC BALANCE ADJUSTMENT**

Step	Connection Equipments	Adjustment	For
1	Connect the Digital Volt Meter to TP405 and TP407.	VR401	0 ±10 mV
2	Connect the Digital Volt Meter to TP406 and TP407.	VR402	0 ±10 mV

■ **IDLING CURRENT ADJUSTMENT**

Step	Connection Equipments	Adjustment	For
1	Connect the Digital Volt Meter to TP401 and TP403.	VR403	28 mV
2	Connect the Digital Volt Meter to TP402 and TP404.	VR404	28 mV

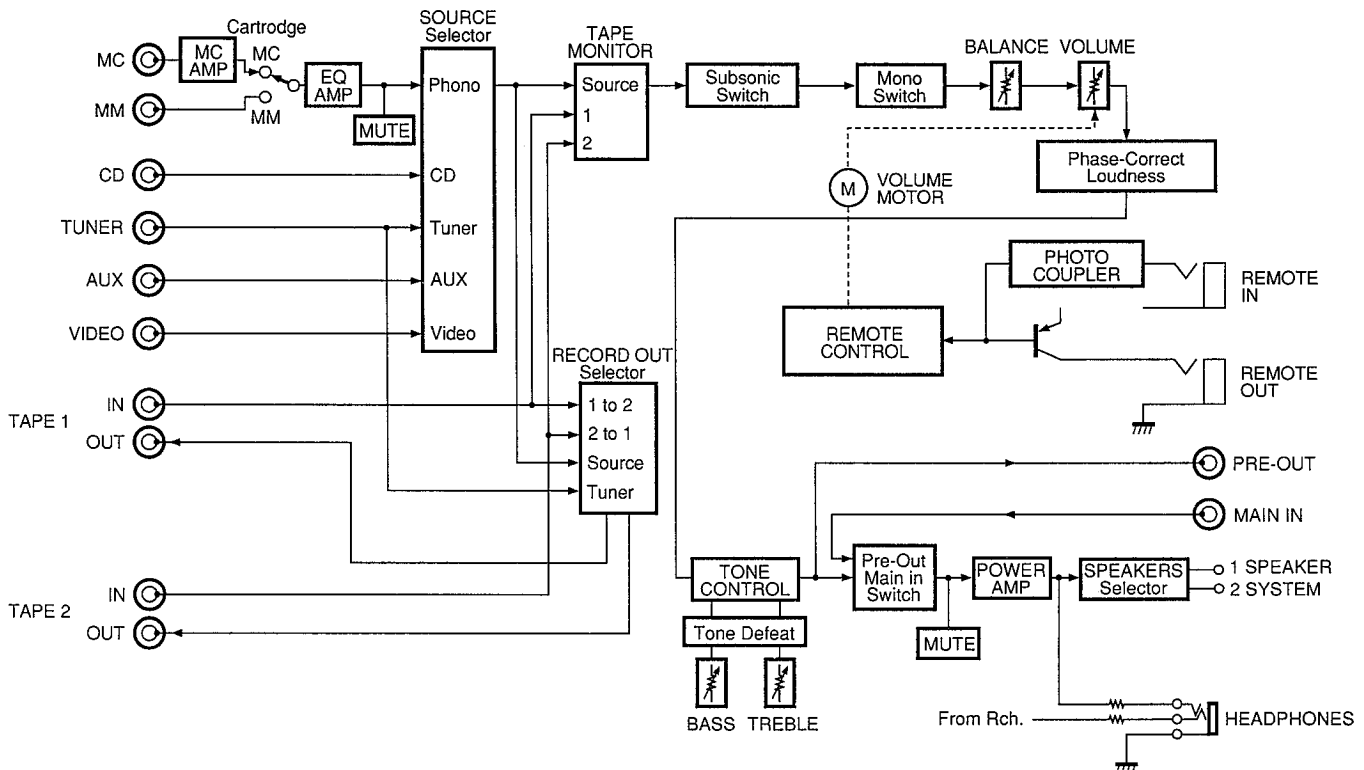
■ **DC BALANCE CONFIRMATION**

- Set the Speaker Operating Mode switch to the "4 Ω" position.

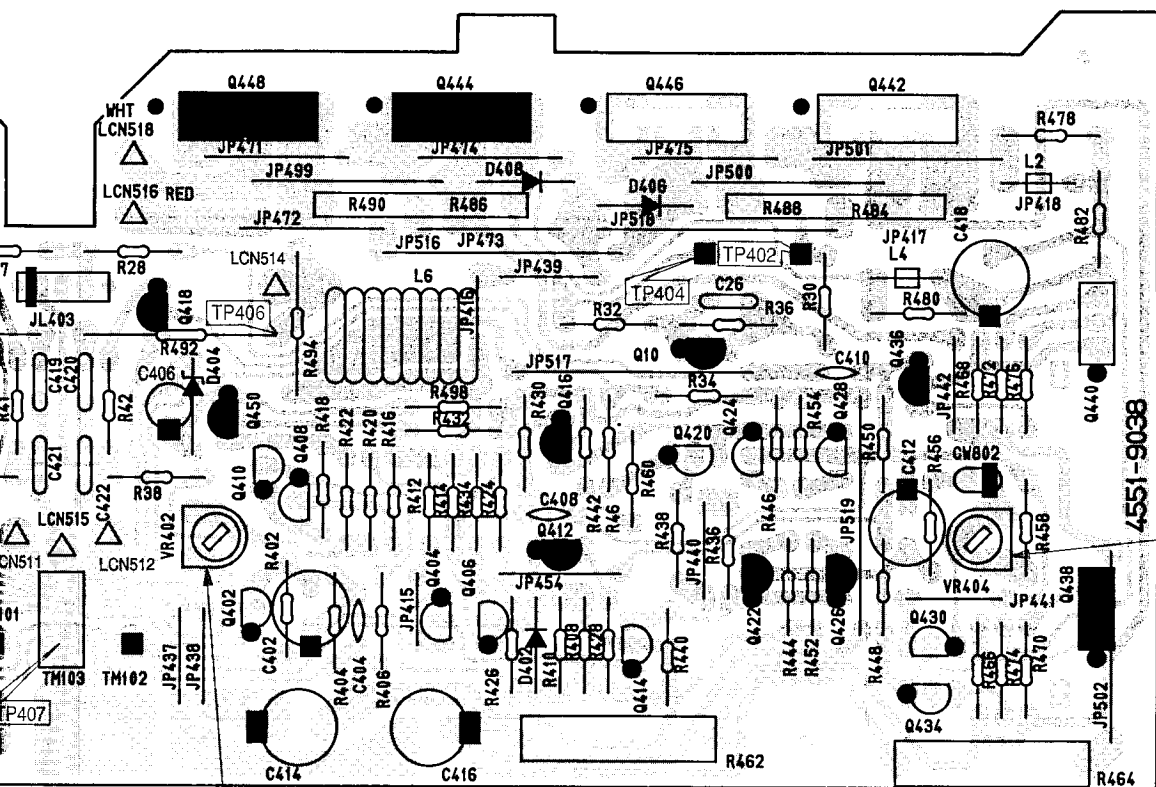
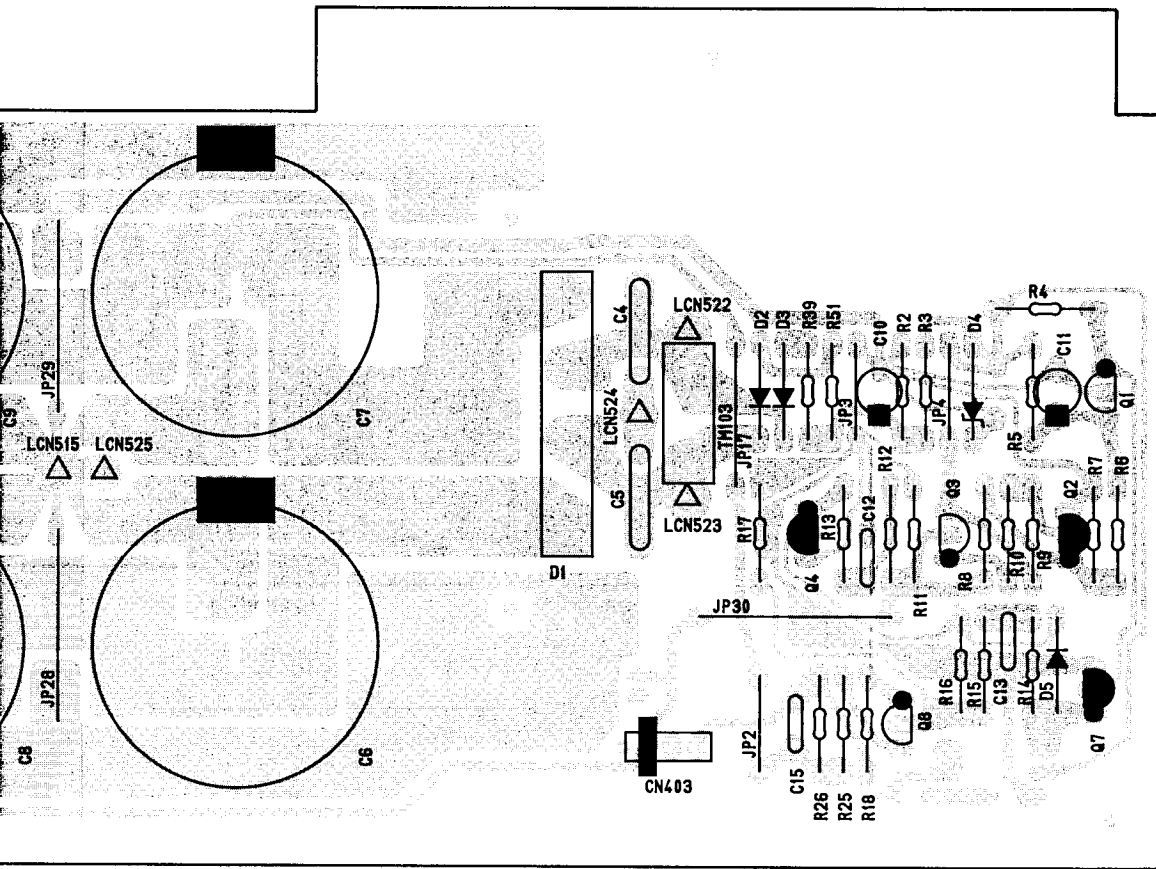
Step	Connection Equipments	For
1	Connect the Digital Volt Meter to TP405 and TP407.	0 ±60 mV
2	Connect the Digital Volt Meter to TP406 and TP407.	0 ±60 mV

- After the above adjustment, leave the unit with its power on for longer than 15 minutes and then repeat the same adjustment.

BLOCK DIAGRAM

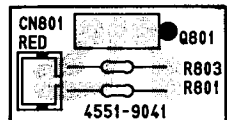


E F G H I J



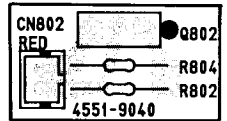
PCB-9

Bias (L ch)
P. C. Board



PCB-8

Bias (R ch)
P. C. Board



IDLING
CURRENT
ADJ. (R ch)

ANCE
)

DC BALANCE
ADJ. (R ch)

P. C. BOARDS (2)

1

2

3

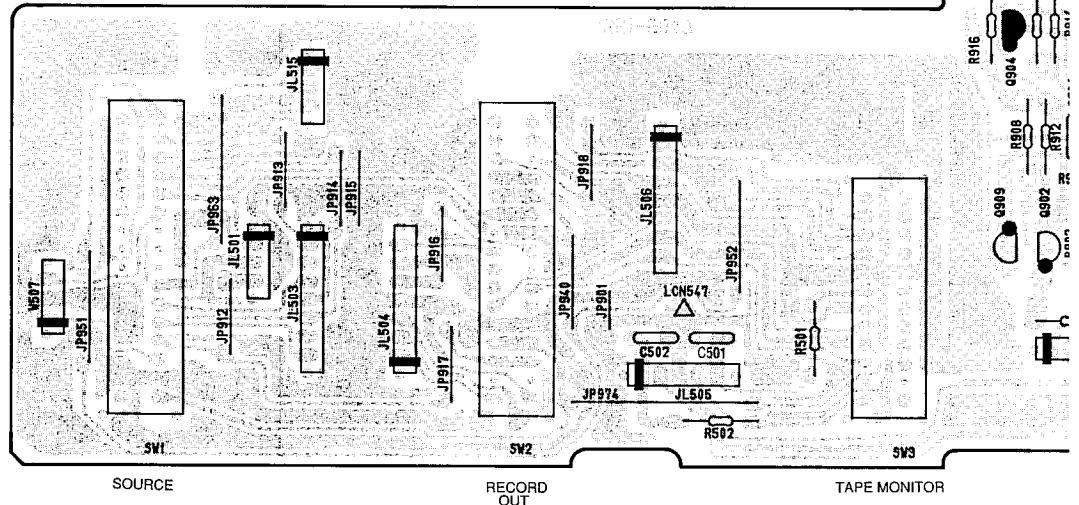
4

5

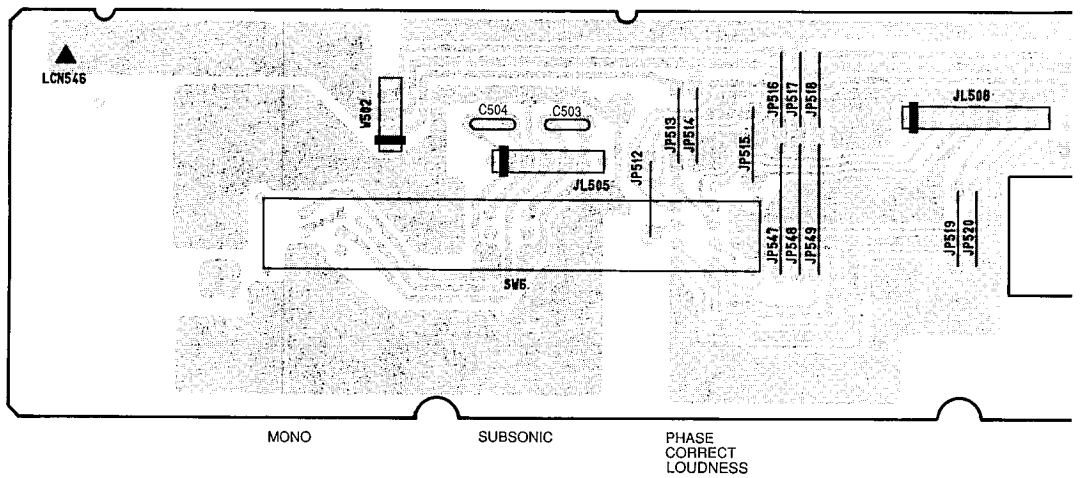
6

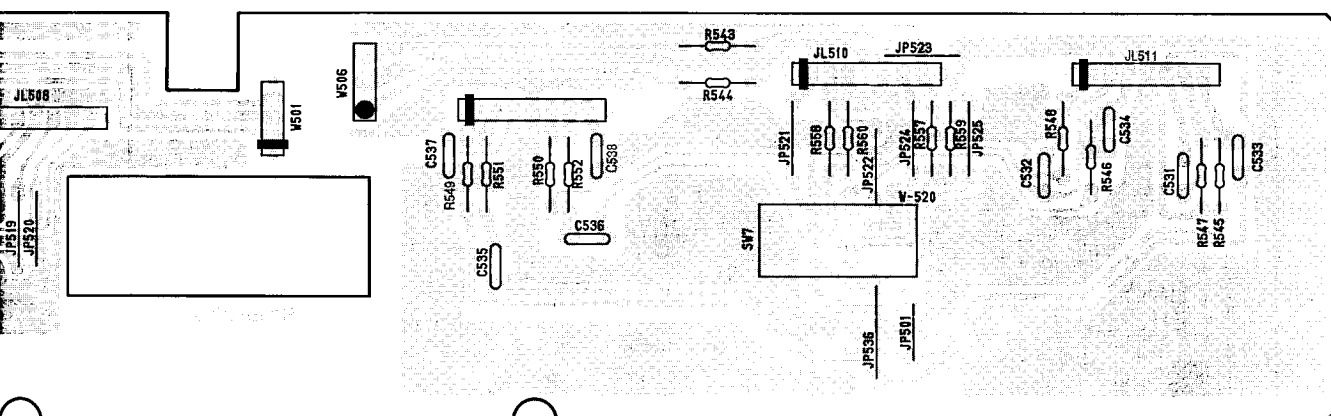
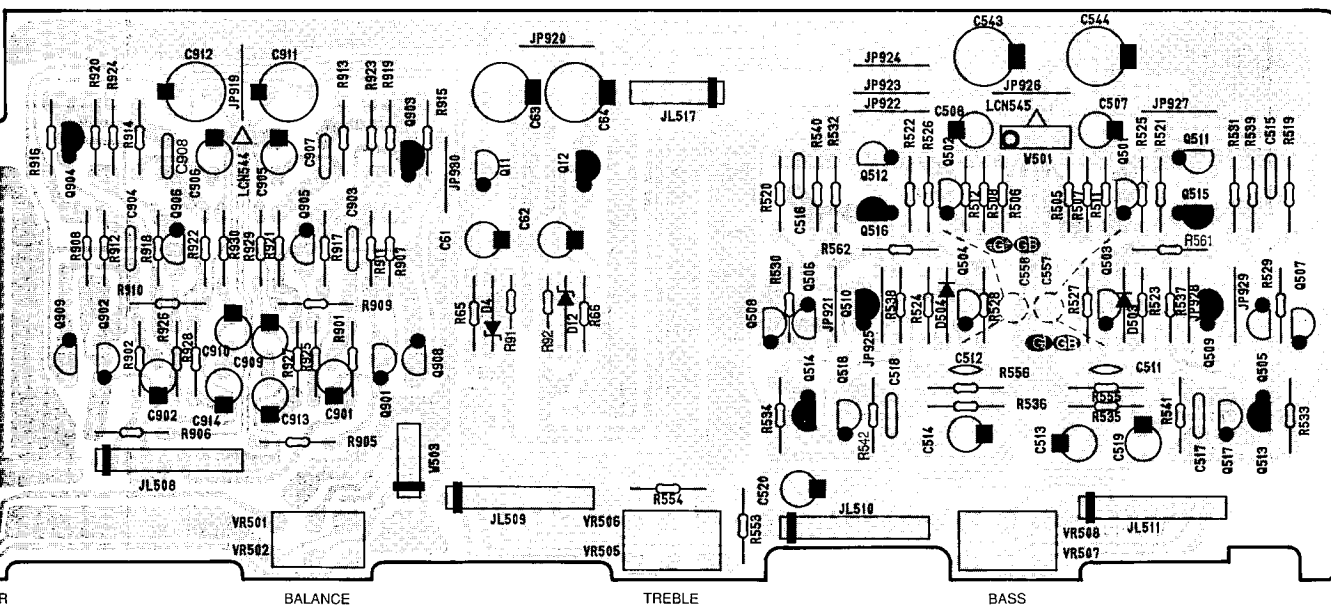
7

PCB-5 Tone 1 P. C. Board



PCB-6 Tone 2 P. C. Board

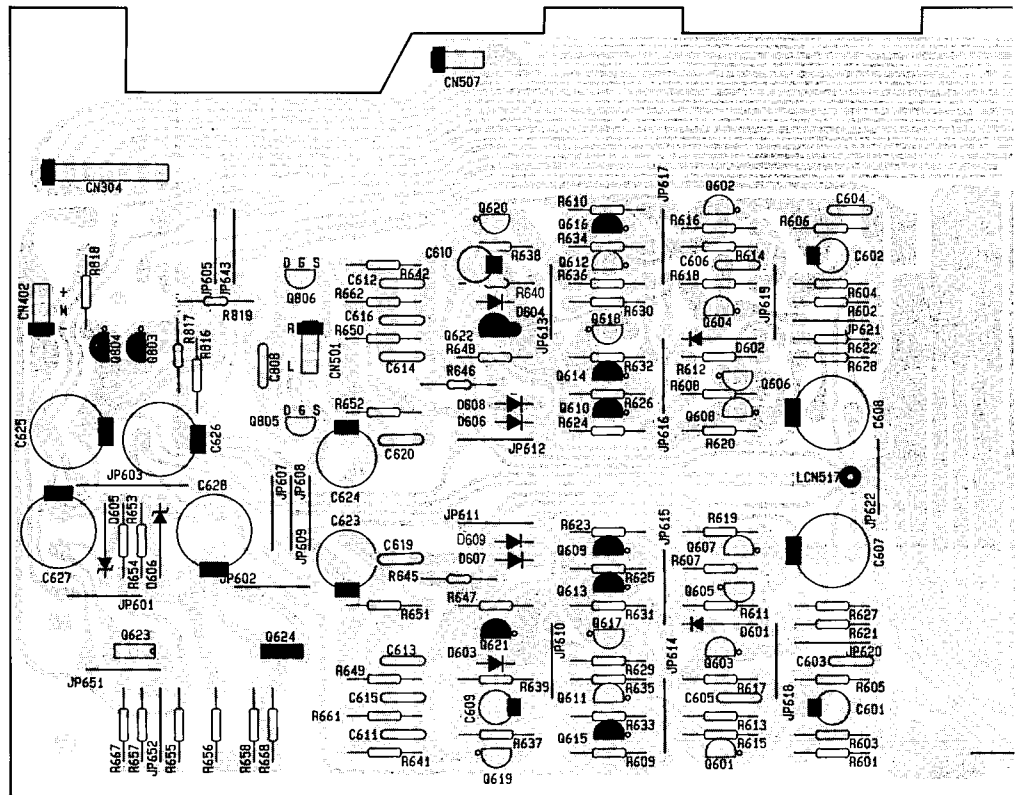




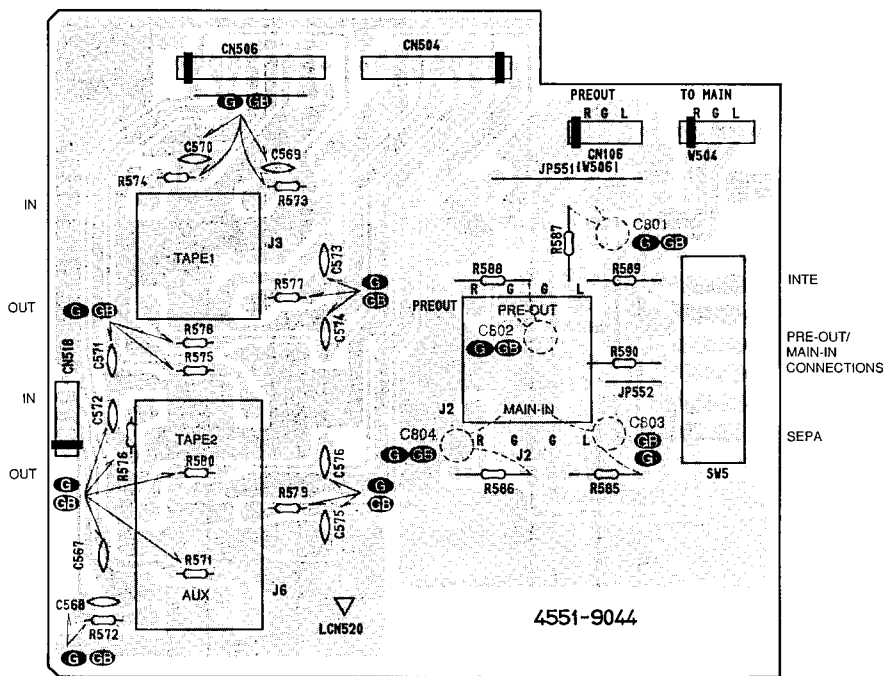
TONE DEFEAT

P. C. BOARDS (3)

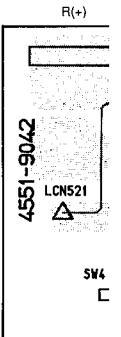
PCB-10 EQ P.C.Board



PCB-11 Tape In/Out P.C.Board



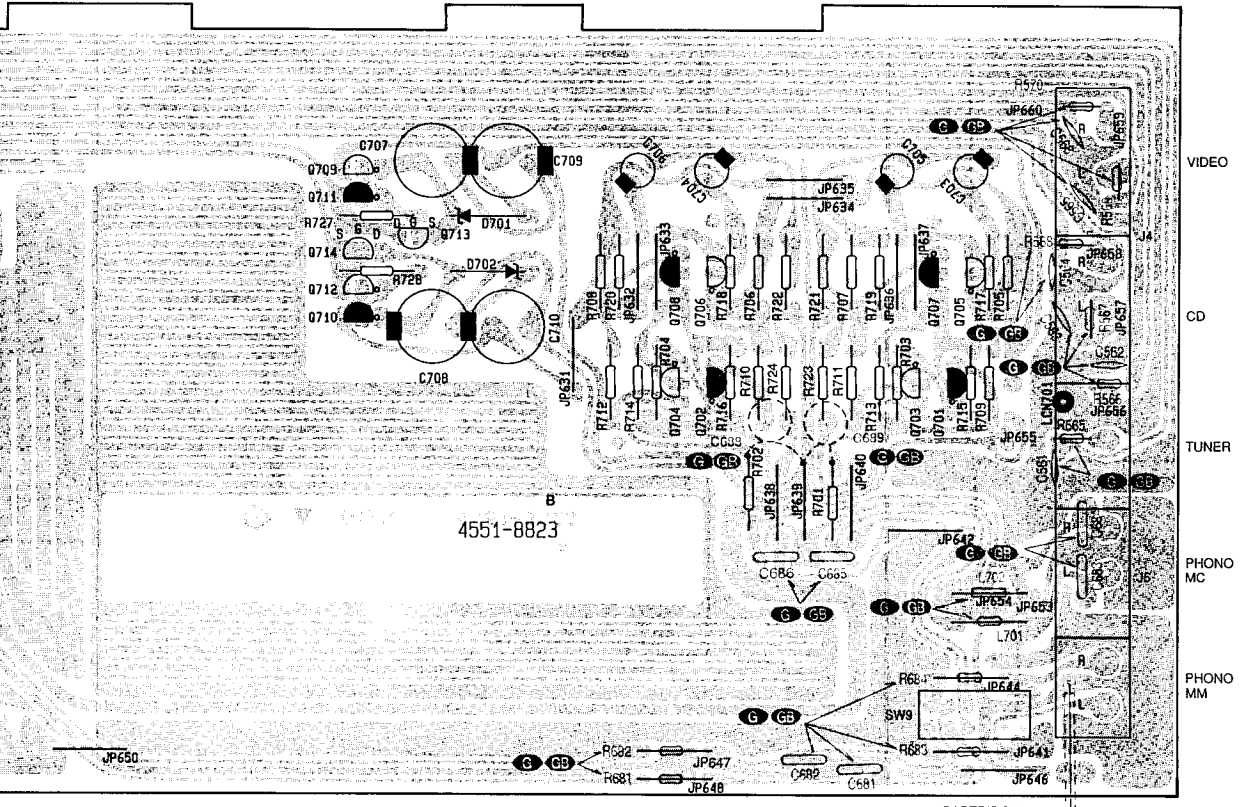
PCB-4 Speaker F



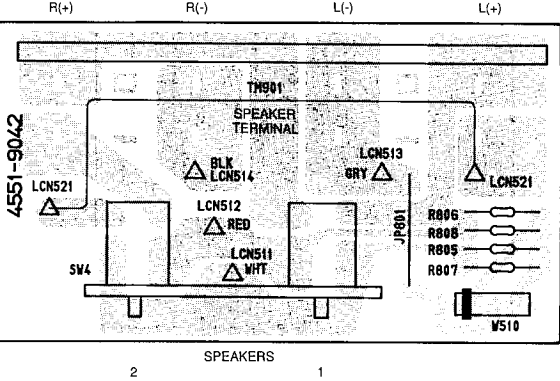
1
2
3
4
5
6
7

A B C D E

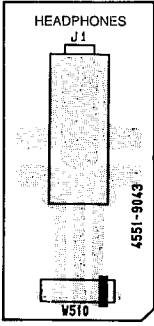
E F G H I J



PCB-4
Speaker P.C.Board

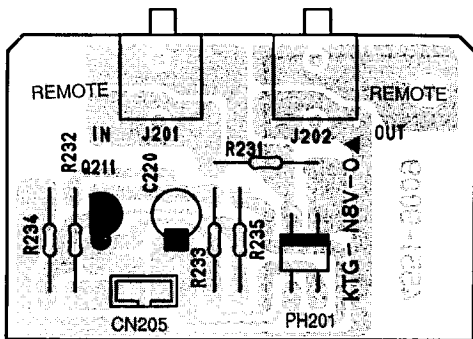


PCB-12
Headphones P.C.Board



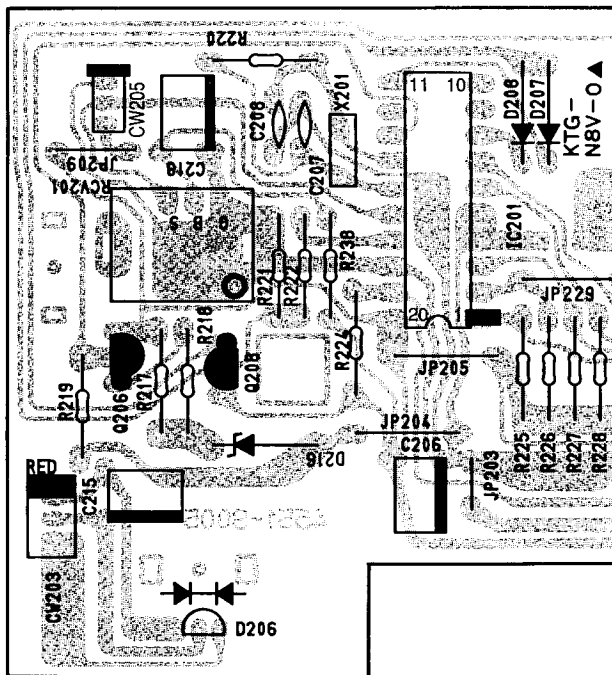
P. C. BOARDS (4)

PCB-16 Remote Jack P. C. Board



PCB-14 Remote P. C. Board

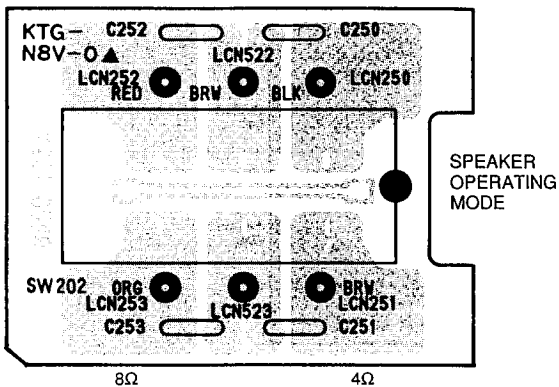
REMOTE SENSOR



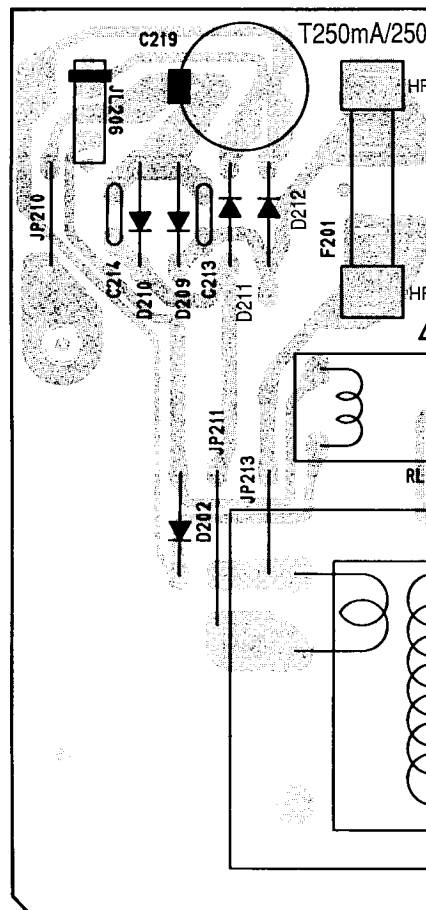
POWER STANDBY

PCB-13

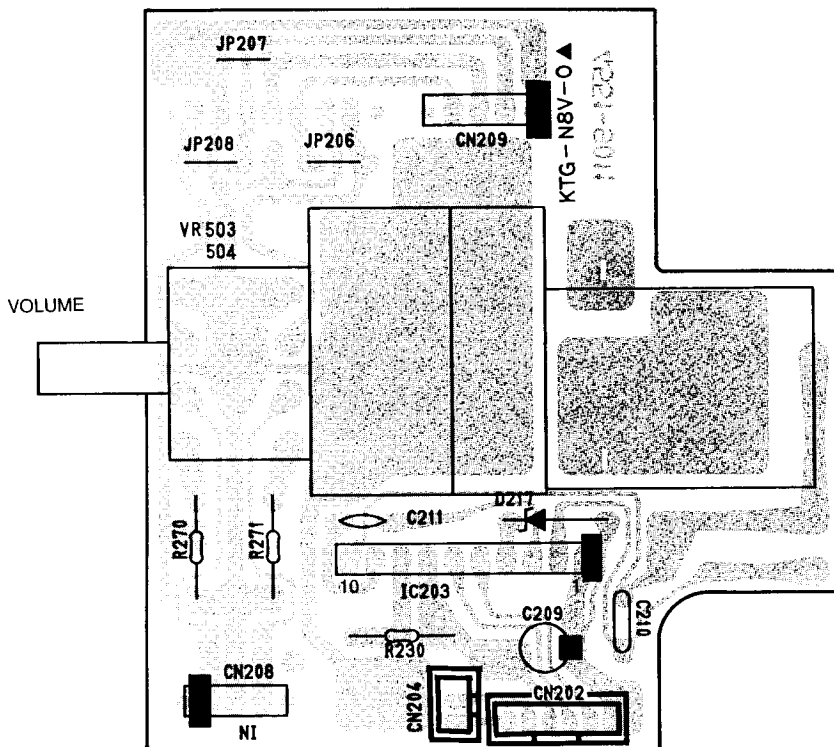
Speaker Operating Mode P. C. Board BK WB

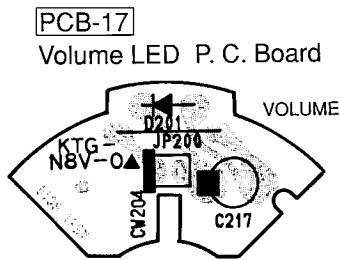
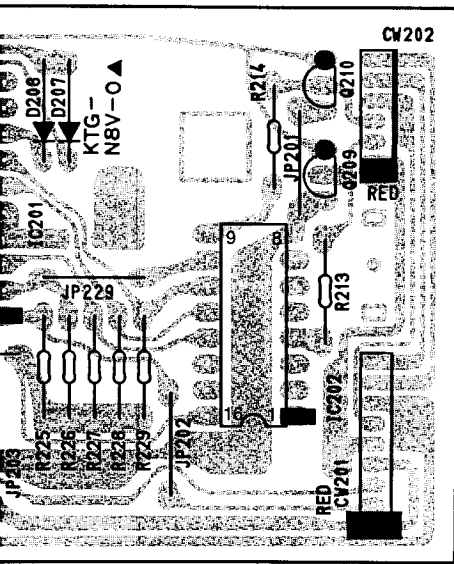


PCB-15 Back Up P. C. Board G G

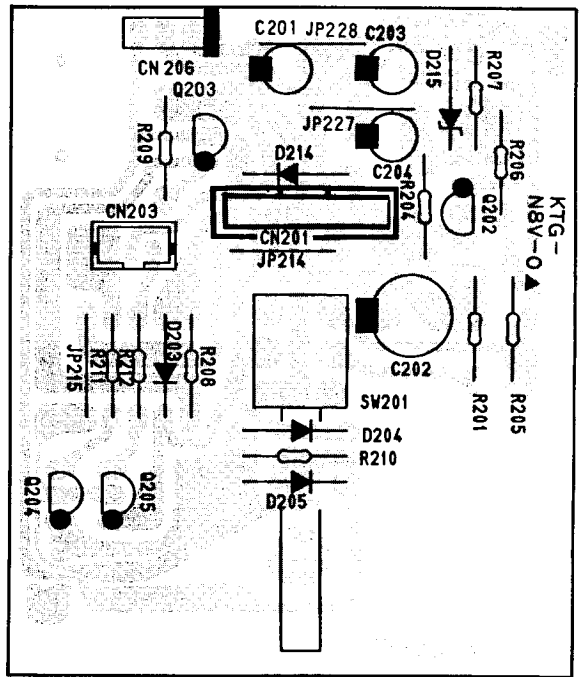


PCB-7 Volume P. C. Board



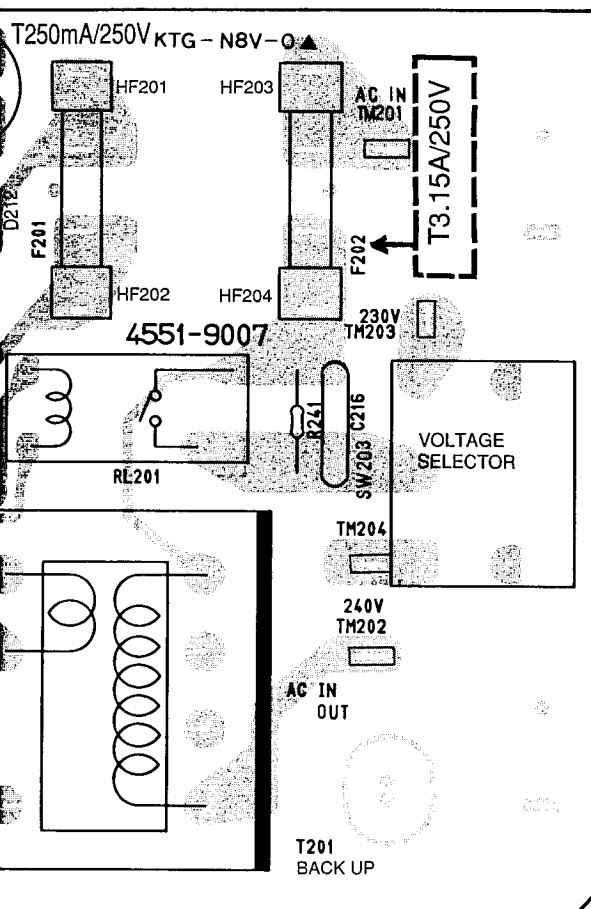


PCB-3 Power Switch P. C. Board

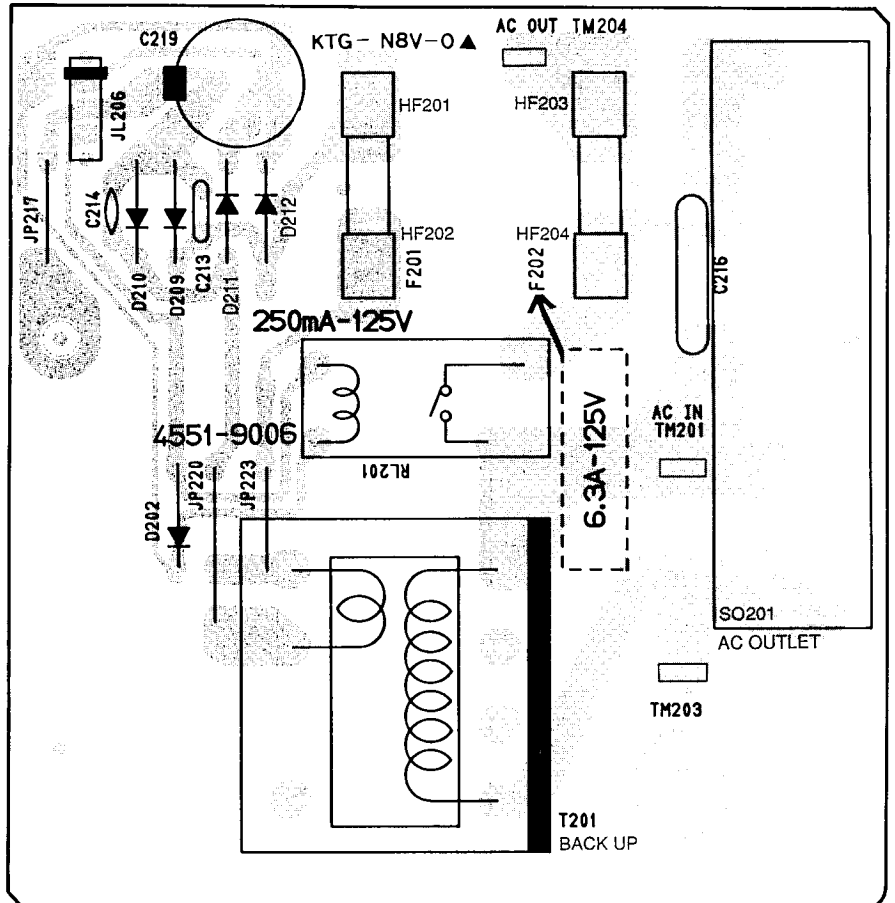


POWER

Board G GB IB WB



PCB-15 Back Up P. C. Board BK



SWITCHED
UNSWITCHED

ELECTRICAL PARTS LIST

Ser. No.	Ref. No.	Part No.	Description	Ser. No.	Ref. No.	Part No.	Description
PCB-1 MAIN P.C. BOARD							
CAPACITORS							
815	C25	5354-683J1HM	CAP, MYL .068μ	767	△	R428	5102-5615116 RES, FUSE 560
815	C26	5354-683J1HM	CAP, MYL .068μ	767	△	R429	5102-5615116 RES, FUSE 560
741	C401	5345-S19BM107	CAP, MINI ELE 100μ/10V	767	△	R430	5102-5615116 RES, FUSE 560
741	C402	5345-S19BM107	CAP, MINI ELE 100μ/10V	783		R431	5135-562522 RES, CBN 1/2P 5.6K
750	C403	5353-680534	CAP, MCA 68P	783		R432	5135-562522 RES, CBN 1/2P 5.6K
750	C404	5353-680534	CAP, MCA 68P	773		R433	5174-203381 RES, MTL 1/4P 20K
743	C405	5345-476D041	CAP, MINI ELE 47μ/25V	773		R434	5174-203381 RES, MTL 1/4P 20K
743	C406	5345-476D041	CAP, MINI ELE 47μ/25V	788		R435	5135-123522 RES, CBN 1/2P 12K
749	C407	5353-070934	CAP, MCA 7P	788		R436	5135-123522 RES, CBN 1/2P 12K
749	C408	5353-070934	CAP, MCA 7P	788		R437	5135-123522 RES, CBN 1/2P 12K
748	C409	5353-101534	CAP, MCA 100P	788		R438	5135-123522 RES, CBN 1/2P 12K
748	C410	5353-101534	CAP, MCA 100P	787		R439	5135-222522 RES, CBN 1/2P 2.2K
742	C411	5345-S19FM106	CAP, MINI ELE 10μ/50V	787		R440	5135-222522 RES, CBN 1/2P 2.2K
742	C412	5345-S19FM106	CAP, MINI ELE 10μ/50V	787		R441	5135-222522 RES, CBN 1/2P 2.2K
744	C413	5345-337G0962	CAP, MINI ELE 330μ/63V	787		R442	5135-222522 RES, CBN 1/2P 2.2K
744	C414	5345-337G0962	CAP, MINI ELE 330μ/63V	765	△	R443	5102-1815116 RES, FUSE 180
744	C415	5345-337G0962	CAP, MINI ELE 330μ/63V	765	△	R444	5102-1815116 RES, FUSE 180
744	C416	5345-337G0962	CAP, MINI ELE 330μ/63V	765	△	R445	5102-1815116 RES, FUSE 180
742	C417	5345-S19FM106	CAP, MINI ELE 10μ/50V	765	△	R446	5102-1815116 RES, FUSE 180
742	C418	5345-S19FM106	CAP, MINI ELE 10μ/50V	774		R447	5174-123381 RES, MTL 1/4P 12K
747	C419	5354-104593	CAP, MYL .1μ	774		R448	5174-123381 RES, MTL 1/4P 12K
747	C420	5354-104593	CAP, MYL .1μ	774		R449	5174-123381 RES, MTL 1/4P 12K
747	C421	5354-104593	CAP, MYL .1μ	774		R450	5174-123381 RES, MTL 1/4P 12K
747	C422	5354-104593	CAP, MYL .1μ	765	△	R451	5102-1815116 RES, FUSE 180
RESISTORS							
830	R27	5135-472522	RES, CBN 1/2P 4.7K	765	△	R452	5102-1815116 RES, FUSE 180
830	R28	5135-472522	RES, CBN 1/2P 4.7K	765	△	R453	5102-1815116 RES, FUSE 180
829	R29	5135-472522	RES, CBN 1/2P 4.7K	765	△	R454	5102-1815116 RES, FUSE 180
829	R30	5135-472522	RES, CBN 1/2P 4.7K	789		R455	5135-151522 RES, CBN 1/2P 150
829	R31	5135-472522	RES, CBN 1/2P 4.7K	789		R456	5135-151522 RES, CBN 1/2P 150
829	R32	5135-472522	RES, CBN 1/2P 4.7K	790		R457	5135-391522 RES, CBN 1/2P 390
778	R33	5135-223522	RES, CBN 1/2P 22K	790		R458	5135-391522 RES, CBN 1/2P 390
778	R34	5135-223522	RES, CBN 1/2P 22K	777		R459	5135-131522 RES, CBN 1/2P 130
817	R35	5135-152522	RES, CBN 1/2P 1.5K	777		R460	5135-131522 RES, CBN 1/2P 130
817	R36	5135-152522	RES, CBN 1/2P 1.5K	764	△	R461	5102-2205711 RES, FUSE 22
819	R37	5135-105522	RES, CBN 1/2P 1M	764	△	R462	5102-2205711 RES, FUSE 22
819	R38	5135-105522	RES, CBN 1/2P 1M	764	△	R463	5102-2205711 RES, FUSE 22
778	R41	5135-223522	RES, CBN 1/2P 22K	764	△	R464	5102-2205711 RES, FUSE 22
778	R42	5135-223522	RES, CBN 1/2P 22K	766	△	R465	5102-1015116 RES, FUSE 100
778	R45	5135-223522	RES, CBN 1/2P 22K	766	△	R466	5102-1015116 RES, FUSE 100
778	R46	5135-223522	RES, CBN 1/2P 22K	766	△	R467	5102-1015116 RES, FUSE 100
794	R401	5135-102522	RES, CBN 1/2P 1K	766	△	R468	5102-1015116 RES, FUSE 100
794	R402	5135-102522	RES, CBN 1/2P 1K	768	△	R469	5102-2R25116 RES, FUSE 2.2
779	R403	5135-223522	RES, CBN 1/2P 22K	768	△	R470	5102-2R25116 RES, FUSE 2.2
779	R404	5135-223522	RES, CBN 1/2P 22K	768	△	R471	5102-2R25116 RES, FUSE 2.2
780	R405	5135-683522	RES, CBN 1/2P 68K	768	△	R472	5102-2R25116 RES, FUSE 2.2
780	R406	5135-683522	RES, CBN 1/2P 68K	791	△	R473	5102-1505116 RES, FUSE 15
781	R407	5135-122522	RES, CBN 1/2P 1.2K	791	△	R474	5102-1505116 RES, FUSE 15
781	R408	5135-122522	RES, CBN 1/2P 1.2K	791	△	R475	5102-1505116 RES, FUSE 15
781	R409	5135-122522	RES, CBN 1/2P 1.2K	791	△	R476	5102-1505116 RES, FUSE 15
781	R410	5135-122522	RES, CBN 1/2P 1.2K	792		R477	5135-100522 RES, CBN 1/2P 10
782	R411	5135-181522	RES, CBN 1/2P 180	792		R478	5135-100522 RES, CBN 1/2P 10
782	R412	5135-181522	RES, CBN 1/2P 180	792		R479	5135-100522 RES, CBN 1/2P 10
782	R413	5135-181522	RES, CBN 1/2P 180	792		R480	5135-100522 RES, CBN 1/2P 10
782	R414	5135-181522	RES, CBN 1/2P 180	793	△	R481	5102-6805116 RES, FUSE 68
783	R415	5135-562522	RES, CBN 1/2P 5.6K	793	△	R482	5102-6805116 RES, FUSE 68
783	R416	5135-562522	RES, CBN 1/2P 5.6K	757		R483/	5275-S040JR27 RES, CEM 5P .27
784	R417	5135-331522	RES, CBN 1/2P 330			487	
784	R418	5135-331522	RES, CBN 1/2P 330	757		R484/	5275-S040JR27 RES, CEM 5P .27
785	R419	5135-393522	RES, CBN 1/2P 39K			488	
785	R420	5135-393522	RES, CBN 1/2P 39K	757		R485/	5275-S040JR27 RES, CEM 5P .27
786	R421	5135-473522	RES, CBN 1/2P 47K			489	
786	R422	5135-473522	RES, CBN 1/2P 47K	757		R486/	5275-S040JR27 RES, CEM 5P .27
772	R423	5174-391381	RES, MTL 1/4P 390 BK WB			490	
772B	R423	5174-471381	RES, MTL 1/4P 470 G GB IB	758		R491	5173-150571 RES, MTL 2P 15
				758		R492	5173-150571 RES, MTL 2P 15
772	R424	5174-391381	RES, MTL 1/4P 390 BK WB	759		R493	5171-1R1572 RES, MTL 1P 1.1
772B	R424	5174-471381	RES, MTL 1/4P 470 G GB IB	759		R494	5171-1R1572 RES, MTL 1P 1.1
				776		R497	5135-223522 RES, CBN 1/2P 22K
771	R425	5174-220381	RES, MTL 1/4P 22 G GB IB	776		R498	5135-223522 RES, CBN 1/2P 22K
771	R426	5174-220381	RES, MTL 1/4P 22 G GB IB	TRANSISTORS			
767	△	R427	5102-5615116 RES, FUSE 560	804		Q9	5611-970 (BL) XISTOR, PNP R
				804		Q10	5611-970 (BL) XISTOR, PNP R
				805		Q401	5616-2SK364 (V) FET, N-CH
				805		Q402	5616-2SK364 (V) FET, N-CH
				711		Q403	5613-2240 (BL) XISTOR, NPN R

Ser. No.	Ref. No.	Part No.	Description
711	Q404	5613-2240 (BL)	XISTOR, NPN R
711	Q405	5613-2240 (BL)	XISTOR, NPN R
711	Q406	5613-2240 (BL)	XISTOR, NPN R
715	Q407	5613-2320L (F)	XISTOR, NPN R
715	Q408	5613-2320L (F)	XISTOR, NPN R
715	Q409	5613-2320L (F)	XISTOR, NPN R
715	Q410	5613-2320L (F)	XISTOR, NPN R
717	Q411	5611-1145 (Y)	XISTOR, PNP R
717	Q412	5611-1145 (Y)	XISTOR, PNP R
714	Q413	5613-2240 (BL)	XISTOR, NPN R
714	Q414	5613-2240 (BL)	XISTOR, NPN R
712	Q415	5611-970 (BL)	XISTOR, PNP R
712	Q416	5611-970 (BL)	XISTOR, PNP R
713	Q417	5611-992 (E)	XISTOR, PNP R
713	Q418	5611-992 (E)	XISTOR, PNP R
714	Q419	5613-2240 (BL)	XISTOR, NPN R
714	Q420	5613-2240 (BL)	XISTOR, NPN R
735	Q421	5611-1285 (F)	XISTOR, PNP R
735	Q422	5611-1285 (F)	XISTOR, PNP R
716	Q423	5613-3245 (F)	XISTOR, NPN R
716	Q424	5613-3245 (F)	XISTOR, NPN R
735	Q425	5611-1285 (F)	XISTOR, PNP R
735	Q426	5611-1285 (F)	XISTOR, PNP R
716	Q427	5613-3245 (F)	XISTOR, NPN R
716	Q428	5613-3245 (F)	XISTOR, NPN R
720	Q429	5613-945 (P)	XISTOR, NPN R
720	Q430	5613-945 (P)	XISTOR, NPN R
718	Q433	5613-2235 (Y)	XISTOR, NPN R
718	Q434	5613-2235 (Y)	XISTOR, NPN R
719	Q435	5611-965 (Y)	XISTOR, PNP R
719	Q436	5611-965 (Y)	XISTOR, PNP R
724	Q437	5611-1306 (Y)	XISTOR, PNP R
724	Q438	5611-1306 (Y)	XISTOR, PNP R
721	Q439	5613-3298 (Y)	XISTOR, NPN R
721	Q440	5613-3298 (Y)	XISTOR, NPN R
727	Q441	5613-3907 (O)	XISTOR, NPN R
727	Q442	5613-3907 (O)	XISTOR, NPN R
729	Q443	5611-1516 (O)	XISTOR, PNP R
729	Q444	5611-1516 (O)	XISTOR, PNP R
727	Q445	5613-3907 (O)	XISTOR, NPN R
727	Q446	5613-3907 (O)	XISTOR, NPN R
729	Q447	5611-1516 (O)	XISTOR, PNP R
729	Q448	5611-1516 (O)	XISTOR, PNP R
712	Q449	5611-970 (BL)	XISTOR, PNP R
712	Q450	5611-970 (BL)	XISTOR, PNP R
DIODES			
732	D401	5631-1S2473	DIODE, DET
732	D402	5631-1S2473	DIODE, DET
733	D403	5635-HZ15-1L	DIODE, ZENER
733	D404	5635-HZ15-1L	DIODE, ZENER
734	D405	5632-10DF2	DIODE, RECT
734	D406	5632-10DF2	DIODE, RECT
734	D407	5632-10DF2	DIODE, RECT
734	D408	5632-10DF2	DIODE, RECT
COILS			
737	L5	5991-7125	SPRING COIL
737	L6	5991-7125	SPRING COIL
CONTROLS			
761	VR401	5101-S0801104	RES, SEMI FIX 100K, DC BALANCE
761	VR402	5101-S0801104	RES, SEMI FIX 100K, DC BALANCE
762	VR403	5101-S0801102	RES, SEMI FIX 1K, IDLING CURRENT
762	VR404	5101-S0801102	RES, SEMI FIX 1K, IDLING CURRENT
MISCELLANEOUS			
745	CW801	4163-S0202151	CONNECTOR W/W
745	CW802	4163-S0202151	CONNECTOR W/W
738	L1	5597-35502	CORE, BEADS
738	L2	5597-35502	CORE, BEADS
738	L3	5597-35502	CORE, BEADS

Ser. No.	Ref. No.	Part No.	Description
738	L4	5597-35502	CORE, BEADS
798	LCN511	4163-0135026	CONNECTOR W/W
796	LCN512	4163-0135024	CONNECTOR W/W
799	LCN513	4163-0135027	CONNECTOR W/W
797	LCN514	4163-0135025	CONNECTOR W/W
909	LCN515	4163-0120024	CONNECTOR W/W
907	LCN516	4163-0120025	CONNECTOR W/W
907	LCN517	4163-0120025	CONNECTOR W/W
908	LCN518	4163-0120027	CONNECTOR W/W
908	LCN519	4163-0120027	CONNECTOR W/W
810	TP401	4214-132	TERMINAL
810	TP402	4214-132	TERMINAL
810	TP403	4214-132	TERMINAL
810	TP404	4214-132	TERMINAL
919	TM101	4214-11013	TERMINAL
919	TM102	4214-11013	TERMINAL
910	TM103	4214-11021	TERMINAL
931		2240-Z032	HOLDER, JL403

PCB-2 POWER SUPPLY P.C. BOARD

CAPACITORS			
834	C4	5352-1041957	CAP, MTL .1μ
834	C5	5352-1041957	CAP, MTL .1μ
840	△ C6	5341-002GM828	CAP, ELE 8200μ/63V
840	△ C7	5341-002GM828	CAP, ELE 8200μ/63V
840	△ C8	5341-002GM828	CAP, ELE 8200μ/63V
840	△ C9	5341-002GM828	CAP, ELE 8200μ/63V
811	C10	5345-S19FM475	CAP, MINI ELE 4.7μ/50V
812	C11	5345-S19CM336	CAP, MINI ELE 33μ/16V
813	C12	5354-334593	CAP, MYL .33μ
813	C13	5354-334593	CAP, MYL .33μ
816	C15	5359-3325851	CAP, PPP 3300P
699	C17	5345-337D041	CAP, MINI ELE 330μ/25V
699	C18	5345-337D041	CAP, MINI ELE 330μ/25V
700	△ C21	5345-227D041	CAP, MINI ELE 220μ/25V
700	△ C22	5345-227D041	CAP, MINI ELE 220μ/25V

RESISTORS			
821	R2	5135-103522	RES, CBN 1/2P 10K
828	R3	5135-472522	RES, CBN 1/2P 4.7K
825	R4	5135-473522	RES, CBN 1/2P 47K
824	R5	5135-334522	RES, CBN 1/2P 330K
822	R6	5135-684522	RES, CBN 1/2P 680K
827	R7	5135-184522	RES, CBN 1/2P 180K
823	R8	5135-225522	RES, CBN 1/2P 2.2M
820	R9	5135-104522	RES, CBN 1/2P 100K
820	R10	5135-104522	RES, CBN 1/2P 100K
821	R11	5135-103522	RES, CBN 1/2P 10K
820	R12	5135-104522	RES, CBN 1/2P 100K
825	R13	5135-473522	RES, CBN 1/2P 47K
826	R14	5135-223522	RES, CBN 1/2P 22K
826	R15	5135-223522	RES, CBN 1/2P 22K
825	R16	5135-473522	RES, CBN 1/2P 47K
821	R17	5135-103522	RES, CBN 1/2P 10K
814	R18	5135-223522	RES, CBN 1/2P 22K
814	R25	5135-152522	RES, CBN 1/2P 1.5K
825	R26	5135-473522	RES, CBN 1/2P 47K
818	R39	5135-332522	RES, CBN 1/2P 3.3K
702	△ R47	5102-4705116	RES, FUSE 47
702	△ R48	5102-4705116	RES, FUSE 47
818	R51	5135-332522	RES, CBN 1/2P 3.3K
706	R71	5135-822522	RES, CBN 1/2P 8.2K
706	R72	5135-822522	RES, CBN 1/2P 8.2K

TRANSISTORS			
801	Q1	5613-1740S (S)	XISTOR, NPN R
802	Q2	5611-933S (S)	XISTOR, PNP R
801	Q3	5613-1740S (S)	XISTOR, NPN R
802	Q4	5611-933S (S)	XISTOR, PNP R
691	Q5	5614-1266 (P)	XISTOR, NPN A
692	Q6	5612-941 (P)	XISTOR, PNP A
802	Q7	5611-933S (S)	XISTOR, PNP R
803	Q8	5613-1845 (E)	XISTOR, NPN R

Ser. No.	Ref. No.	Part No.	Description
DIODES			
839	△ D1	5685-D5SB40	SILICON, BRIG
808	△ D2	5636-1S2471	DIODE, SWITCH
808	△ D3	5636-1S2471	DIODE, SWITCH
807	D4	5635-HZ6A2L	DIODE, ZENER
809	D5	5631-1S2473	DIODE, DET
696	D9	5635-HZ24-2L	DIODE, ZENER
696	D10	5635-HZ24-2L	DIODE, ZENER

Ser. No.	Ref. No.	Part No.	Description
MISCELLANEOUS			
913	CN103	4443-040185	CONNECTOR
917	CN403	4443-030185	CONNECTOR
952	JL402	4242-R0503401	JUMPER LEAD
935	JL403	4242-R0503201	JUMPER LEAD
068B	LCN522	4163-0117021	CONNECTOR W/W G GB IB
069B	LCN523	4163-0117023	CONNECTOR W/W G GB IB
947	LCN524	4163-0117020	CONNECTOR W/W
948	LCN525	4163-0125020	CONNECTOR W/W
901	TM104	4214-11023	TERMINAL BK
924		2240-Z032	HOLDER, JL402
932		2240-Z072	HOLDER, JL504
932		2240-Z072	HOLDER, JL506

PCB-3 POWER SWITCH P. C. BOARD

Ser. No.	Ref. No.	Part No.	Description
CAPACITORS			
407	C201	5345-226D041	CAP, MINI ELE 22μ/25V
408	C202	5345-337C041	CAP, MINI ELE 330μ/16V
405	C203	5345-476B041	CAP, MINI ELE 47μ/10V
406	C204	5345-107A041	CAP, MINI ELE 100μ/6.3V

Ser. No.	Ref. No.	Part No.	Description
RESISTORS			
409	△ R201	5102-2205116	RES, FUSE 22
402	R204	5135-151522	RES, CBN 1/2P 150
480	△ R205	5102-3304715	RES, FUSE 33
414	R206	5135-102522	RES, CBN 1/2P 1K
411	R207	5135-271522	RES, CBN 1/2P 270
413	R208	5135-822522	RES, CBN 1/2P 8.2K
415	R209	5135-472522	RES, CBN 1/2P 4.7K
415	R210	5135-472522	RES, CBN 1/2P 4.7K
411	R211	5135-271522	RES, CBN 1/2P 270
411	R212	5135-271522	RES, CBN 1/2P 270

Ser. No.	Ref. No.	Part No.	Description
TRANSISTORS			
404	Q202	5614-667(C)	XISTOR, NPN A
403	Q203	5613-3246(H)	XISTOR, NPN R
474	Q204	5613-1740S(S)	XISTOR, NPN R
474	Q205	5613-1740S(S)	XISTOR, NPN R

Ser. No.	Ref. No.	Part No.	Description
DIODES			
401	D203	5636-1S2473	DIODE, SWITCH
401	D204	5636-1S2473	DIODE, SWITCH
401	D205	5636-1S2473	DIODE, SWITCH
401	D214	5636-1S2473	DIODE, SWITCH
475	D215	5635-HZ6B2L	DIODE, ZENER

Ser. No.	Ref. No.	Part No.	Description
MISCELLANEOUS			
462	CN201	4443-0801140	CONNECTOR
464	CN203	4443-0301140	CONNECTOR
481	CN206	4443-030185	CONNECTOR
861	SW201	4431-A020170	SWITCH, PUSH, POWER

PCB-4 SPEAKER P. C. BOARD

Ser. No.	Ref. No.	Part No.	Description
RESISTORS			
760	R805	5135-102522	RES, CBN 1/2P 1K
760	R806	5135-102522	RES, CBN 1/2P 1K
760	R807	5135-102522	RES, CBN 1/2P 1K
760	R808	5135-102522	RES, CBN 1/2P 1K

Ser. No.	Ref. No.	Part No.	Description
MISCELLANEOUS			
800	LCN521	4163-0110027	CONNECTOR W/W
873	SW4	4431-S0314204	SWITCH, PUSH, SPEAKERS 1/2

Ser. No.	Ref. No.	Part No.	Description
897	△ TM901	4214-239	TERMINAL, SPEAKER BK
897B	△ TM901	4214-240	TERMINAL, SPEAKER G GB IB WB
904		2224-Z031	HOLDER, W510

PCB-5 TONE 1 P.C. BOARD

Ser. No.	Ref. No.	Part No.	Description
CAPACITORS			
701	C61	5345-107D041	CAP, MINI ELE 100μ/25V
701	C62	5345-107D041	CAP, MINI ELE 100μ/25V
698	C63	5345-227D041	CAP, MINI ELE 220μ/25V
698	C64	5345-227D041	CAP, MINI ELE 220μ/25V
634	C501	5359-1015851	CAP, PPP 100P
634	C502	5359-1015851	CAP, PPP 100P
630	C507	5345-S19CM106	CAP, MINI ELE 10μ/16V
630	C508	5345-S19CM106	CAP, MINI ELE 10μ/16V
637	C511	5353-010934	CAP, MCA 1P
637	C512	5353-010934	CAP, MCA 1P
631	C513	5345-S19DM226	CAP, MINI ELE 22μ/25V
631	C514	5345-S19DM226	CAP, MINI ELE 22μ/25V
638	C515	5353-680534	CAP, MCA 68P
638	C516	5353-680534	CAP, MCA 68P
638	C517	5353-680534	CAP, MCA 68P
638	C518	5353-680534	CAP, MCA 68P
632	C519	5345-S19CM476	CAP, MINI ELE 47μ/16V
632	C520	5345-S19CM476	CAP, MINI ELE 47μ/16V
629	C543	5345-227D041	CAP, MINI ELE 220μ/25V
629	C544	5345-227D041	CAP, MINI ELE 220μ/25V
066B	C557	5359-1015851	CAP, PPP 100P G GB
066B	C558	5359-1015851	CAP, PPP 100P G GB
595	C901	5345-S19FM104	CAP, MINI ELE .1μ/50V
595	C902	5345-S19FM104	CAP, MINI ELE .1μ/50V
599	C903	5354-154593	CAP, MYL .15μ
599	C904	5354-154593	CAP, MYL .15μ
597	C905	5345-107D045	CAP, MINI ELE 100μ/25V
597	C906	5345-107D045	CAP, MINI ELE 100μ/25V
600	C907	5354-334593	CAP, MYL .33μ
600	C908	5354-334593	CAP, MYL .33μ
596	C909	5345-S19FM474	CAP, MINI ELE .47μ/50V
596	C910	5345-S19FM474	CAP, MINI ELE .47μ/50V
594	C911	5345-227D041	CAP, MINI ELE 220μ/25V
594	C912	5345-227D041	CAP, MINI ELE 220μ/25V
596	C913	5345-S19FM474	CAP, MINI ELE .47μ/50V
596	C914	5345-S19FM474	CAP, MINI ELE .47μ/50V

Ser. No.	Ref. No.	Part No.	Description
RESISTORS			
703	△ R65	5102-2215116	RES, FUSE 220
703	△ R66	5102-2215116	RES, FUSE 220
514	R91	5232-562J16P	RES, CBN 1/6P 5.6K
514	R92	5232-562J16P	RES, CBN 1/6P 5.6K
651	R501	5135-331522	RES, CBN 1/2P 330
651	R502	5135-331522	RES, CBN 1/2P 330
653	R505	5135-224522	RES, CBN 1/2P 220K
653	R506	5135-224522	RES, CBN 1/2P 220K
652	R507	5135-394522	RES, CBN 1/2P 390K
652	R508	5135-394522	RES, CBN 1/2P 390K
670	R511	5135-331522	RES, CBN 1/2P 330
670	R512	5135-331522	RES, CBN 1/2P 330
654	R519	5135-473522	RES, CBN 1/2P 47K
654	R520	5135-473522	RES, CBN 1/2P 47K
655	R521	5135-332522	RES, CBN 1/2P 3.3K
655	R522	5135-332522	RES, CBN 1/2P 3.3K
655	R523	5135-332522	RES, CBN 1/2P 3.3K
655	R524	5135-332522	RES, CBN 1/2P 3.3K
656	R525	5135-471522	RES, CBN 1/2P 470
656	R526	5135-471522	RES, CBN 1/2P 470
656	R527	5135-471522	RES, CBN 1/2P 470
656	R528	5135-471522	RES, CBN 1/2P 470
657	R529	5135-331522	RES, CBN 1/2P 330
657	R530	5135-331522	RES, CBN 1/2P 330
658	R531	5135-222522	RES, CBN 1/2P 2.2K
658	R532	5135-222522	RES, CBN 1/2P 2.2K
658	R533	5135-222522	RES, CBN 1/2P 2.2K
658	R534	5135-222522	RES, CBN 1/2P 2.2K
659	R535	5135-274522	RES, CBN 1/2P 270K
659	R536	5135-274522	RES, CBN 1/2P 270K

Ser. No.	Ref. No.	Part No.	Description	Ser. No.	Ref. No.	Part No.	Description
660	R537	5135-153522	RES, CBN 1/2P 15K				
660	R538	5135-153522	RES, CBN 1/2P 15K	883	VR501/502	5113-S1801503	RES, V CBN 16 50K, BALANCE
657	R539	5135-331522	RES, CBN 1/2P 330	879	VR505/506	5113-S1701503	RES, V CBN 16 50K, TREBLE
657	R540	5135-331522	RES, CBN 1/2P 330	881	VR507/508	5113-S1601104	RES, V CBN 16 100K, BASS
657	R541	5135-331522	RES, CBN 1/2P 330				
657	R542	5135-331522	RES, CBN 1/2P 330				
661	R553	5135-121522	RES, CBN 1/2P 120				
661	R554	5135-121522	RES, CBN 1/2P 120				
654	R555	5135-473522	RES, CBN 1/2P 47K				
654	R556	5135-473522	RES, CBN 1/2P 47K	939	JL501	4242-R0503201	JUMPER LEAD
658	R561	5135-222522	RES, CBN 1/2P 2.2K	941	JL503	4242-R0507181	JUMPER LEAD
658	R562	5135-222522	RES, CBN 1/2P 2.2K	942	JL504	4242-R0507551	JUMPER LEAD
611	R901	5135-102522	RES, CBN 1/2P 1K	943	JL505	4242-R0505800	JUMPER LEAD
611	R902	5135-102522	RES, CBN 1/2P 1K	944	JL506	4242-R0507551	JUMPER LEAD
610	R905	5135-104522	RES, CBN 1/2P 100K	940	JL508	4242-R0507800	JUMPER LEAD
610	R906	5135-104522	RES, CBN 1/2P 100K	940	JL509	4242-R0507800	JUMPER LEAD
604	R907	5135-332522	RES, CBN 1/2P 3.3K	940	JL510	4242-R0507800	JUMPER LEAD
604	R908	5135-332522	RES, CBN 1/2P 3.3K	940	JL511	4242-R0507800	JUMPER LEAD
604	R909	5135-332522	RES, CBN 1/2P 3.3K	946	JL515	4242-R0503501	JUMPER LEAD
604	R910	5135-332522	RES, CBN 1/2P 3.3K	949	JL517	4242-R0504181	JUMPER LEAD
605	R911	5135-183522	RES, CBN 1/2P 18K	921	LCN544	4163-0155039	CONNECTOR W/W
605	R912	5135-183522	RES, CBN 1/2P 18K	920	LCN545	4163-0165039	CONNECTOR W/W
606	R913	5135-472522	RES, CBN 1/2P 4.7K	922	LCN547	4163-0140039	CONNECTOR W/W
606	R914	5135-472522	RES, CBN 1/2P 4.7K	867	SW1	4412-00102045	SWITCH, ROTARY-SLIDE, SOURCE
608	R915	5135-562522	RES, CBN 1/2P 5.6K				
608	R916	5135-562522	RES, CBN 1/2P 5.6K	867	SW2	4412-00102045	SWITCH, ROTARY-SLIDE, RECORD OUT
604	R917	5135-332522	RES, CBN 1/2P 3.3K				
604	R918	5135-332522	RES, CBN 1/2P 3.3K	869	SW3	4412-00101043	SWITCH, ROTARY-SLIDE, TAPE MONITOR
606	R919	5135-472522	RES, CBN 1/2P 4.7K				
606	R920	5135-472522	RES, CBN 1/2P 4.7K	925		2240-Z052	HOLDER, JL505
607	R921	5135-331522	RES, CBN 1/2P 330	926		2240-Z072	HOLDER, JL503
607	R922	5135-331522	RES, CBN 1/2P 330	926		2240-Z072	HOLDER, JL508
604	R923	5135-332522	RES, CBN 1/2P 3.3K	926		2240-Z072	HOLDER, JL509
604	R924	5135-332522	RES, CBN 1/2P 3.3K	926		2240-Z072	HOLDER, JL510
609	R925	5135-221522	RES, CBN 1/2P 220	926		2240-Z072	HOLDER, JL511
609	R926	5135-221522	RES, CBN 1/2P 220	927		2240-Z042	HOLDER, JL517
607	R927	5135-331522	RES, CBN 1/2P 330	928		2240-Z032	HOLDER, JL501
607	R928	5135-331522	RES, CBN 1/2P 330	933		2240-Z032	HOLDER, JL515
610	R929	5135-104522	RES, CBN 1/2P 100K	936		2240-Z031	HOLDER, W503
610	R930	5135-104522	RES, CBN 1/2P 100K	936		2240-Z031	HOLDER, W507

PCB-6 TONE 2 P.C. BOARD

Ser. No.	Ref. No.	Part No.	Description
TRANSISTORS			
693	Q11	5614-667A (C)	XISTOR, NPN A
694	Q12	5612-647A (C)	XISTOR, PNP A
621	Q501	5613-2320L (F)	XISTOR, NPN R
621	Q502	5613-2320L (F)	XISTOR, NPN R
621	Q503	5613-2320L (F)	XISTOR, NPN R
621	Q504	5613-2320L (F)	XISTOR, NPN R
622	Q505	5613-2320L (F)	XISTOR, NPN R
622	Q506	5613-2320L (F)	XISTOR, NPN R
622	Q507	5613-2320L (F)	XISTOR, NPN R
622	Q508	5613-2320L (F)	XISTOR, NPN R
623	Q509	5611-999L (F)	XISTOR, PNP R
623	Q510	5611-999L (F)	XISTOR, PNP R
622	Q511	5613-2320L (F)	XISTOR, NPN R
622	Q512	5613-2320L (F)	XISTOR, NPN R
623	Q513	5611-999L (F)	XISTOR, PNP R
623	Q514	5611-999L (F)	XISTOR, PNP R
625	Q515	5612-646 (C)	XISTOR, PNP A
625	Q516	5612-646 (C)	XISTOR, PNP A
624	Q517	5614-666 (C)	XISTOR, NPN A
624	Q518	5614-666 (C)	XISTOR, NPN A
591	Q901	5613-2240 (BL)	XISTOR, NPN R
591	Q902	5613-2240 (BL)	XISTOR, NPN R
592	Q903	5611-970 (BL)	XISTOR, PNP R
592	Q904	5611-970 (BL)	XISTOR, PNP R
591	Q905	5613-2240 (BL)	XISTOR, NPN R
591	Q906	5613-2240 (BL)	XISTOR, NPN R
593	Q908	5616-2SK246 (Y)	FET, N-CH
593	Q909	5616-2SK246 (Y)	FET, N-CH

CAPACITORS

613	C503	5354-394593	CAP, MYL .39μ
613	C504	5354-394593	CAP, MYL .39μ
641	C531	5354-154593	CAP, MYL .15μ
641	C532	5354-154593	CAP, MYL .15μ
642	C533	5354-273J1HM	CAP, MYL .027μ
642	C534	5354-273J1HM	CAP, MYL .027μ
647	C535	5354-682J1HM	CAP, MYL 6800P
647	C536	5354-682J1HM	CAP, MYL 6800P
648	C537	5354-393J1HM	CAP, MYL .039μ
648	C538	5354-393J1HM	CAP, MYL .039μ

RESISTORS

672	R543	5135-331522	RES, CBN 1/2P 330
672	R544	5135-331522	RES, CBN 1/2P 330
667	R545	5135-153522	RES, CBN 1/2P 15K
667	R546	5135-153522	RES, CBN 1/2P 15K
662	R547	5135-272522	RES, CBN 1/2P 2.7K
662	R548	5135-272522	RES, CBN 1/2P 2.7K
666	R549	5135-331522	RES, CBN 1/2P 330
666	R550	5135-331522	RES, CBN 1/2P 330
669	R551	5135-122522	RES, CBN 1/2P 1.2K
669	R552	5135-122522	RES, CBN 1/2P 1.2K
667	R557	5135-153522	RES, CBN 1/2P 15K
667	R558	5135-153522	RES, CBN 1/2P 15K
668	R559	5135-272522	RES, CBN 1/2P 2.7K
668	R560	5135-272522	RES, CBN 1/2P 2.7K

MISCELLANEOUS

923	LCN546	4163-0135039	CONNECTOR W/W
862	SW6	4431-S0117308	SWITCH, PUSH, PHASE CORRECT LOUDNESS, SUBSONIC, MONO

Ser. No.	Ref. No.	Part No.	Description
DIODES			
697	D11	5635-HZ15-2L	DIODE, ZENER
697	D12	5635-HZ15-2L	DIODE, ZENER
627	D503	5631-1S2473	DIODE, DET
627	D504	5631-1S2473	DIODE, DET

Ser. No.	Ref. No.	Part No.	Description
863	SW7	4431-S0118104	SWITCH, PUSH, TONE DEFEAT
929		2240-Z072	HOLDER, JL508
929		2240-Z072	HOLDER, JL509
929		2240-Z072	HOLDER, JL510
929		2240-Z072	HOLDER, JL511
930		2240-Z052	HOLDER, JL505
937		2240-Z031	HOLDER, W501
937		2240-Z031	HOLDER, W502

PCB-7 VOLUME P.C. BOARD

CAPACITORS

420	C209	5345-106C041	CAP, MINI ELE 10μ/16V
416	C210	5354-104593	CAP, MYL .1μ
419	C211	5354-103593	CAP, MYL .01μ

RESISTORS

421	△ R230	5102-2204713	RES, FUZE 22
673	R270	5135-472522	RES, CBN 1/2P 4.7K
673	R271	5135-472522	RES, CBN 1/2P 4.7K

INTEGRATED CIRCUIT

417	IC203	5653-LB1641	IC, LINEAR
-----	-------	-------------	------------

DIODE

418	D217	5635-HZ5A3	DIODE, ZENER
-----	------	------------	--------------

CONTROL

877	VR503/ 504	6161-00302	VR BLOCK, VOLUME (MOTOR DRIVE)
-----	---------------	------------	--------------------------------

MISCELLANEOUS

463	CN202	4443-0601140	CONNECTOR
465	CN204	4443-0201140	CONNECTOR
912	CN208	4443-030185	CONNECTOR
915	CN209	4443-030185	CONNECTOR

PCB-8 BIAS (RCH) P. C. BOARD

RESISTORS

752	R802	5135-222522	RES, CBN 1/2P 2.2K
754	R804	5135-122522	RES, CBN 1/2P 1.2K

TRANSISTOR

756	Q802	5613-2682(Q)	XISTOR, NPN R
-----	------	--------------	---------------

MISCELLANEOUS

740	CN802	4443-0201140	CONNECTOR
-----	-------	--------------	-----------

PCB-9 BIAS (LCH) P. C. BOARD

RESISTORS

751	R801	5135-222522	RES, CBN 1/2P 2.2K
753	R803	5135-122522	RES, CBN 1/2P 1.2K

TRANSISTOR

755	Q801	5613-2682 (Q)	XISTOR, NPN R
-----	------	---------------	---------------

MISCELLANEOUS

739	CN801	4443-0201140	CONNECTOR
-----	-------	--------------	-----------

PCB-10 EQ P. C. BOARD

CAPACITORS

067B	C561	5359-S010J101	CAP, PPP 100P
059B	C562	5359-S010J101	CAP, PPP 100P
059B	C563	5359-S010J101	CAP, PPP 100P
067B	C564	5359-S010J101	CAP, PPP 100P
059B	C565	5359-S010J101	CAP, PPP 100P
059B	C566	5359-S010J101	CAP, PPP 100P
545	C601	5345-S19DM106	CAP, MINI ELE 10μ/25V
545	C602	5345-S19DM106	CAP, MINI ELE 10μ/25V
555	C603	5353-121534	CAP, MCA 120P

Ser. No.	Ref. No.	Part No.	Description
555	C604	5353-121534	CAP, MCA 120P
554	C605	5359-1015851	CAP, PPP 100P
554	C606	5359-1015851	CAP, PPP 100P
546	C607	5345-477B0952	CAP, MINI ELE 470μ/10V
546	C608	5345-477B0952	CAP, MINI ELE 470μ/10V
548	C609	5345-226C041	CAP, MINI ELE 22μ/16V
548	C610	5345-226C041	CAP, MINI ELE 22μ/16V
551	C611	5359-1825851	CAP, PPP 1800P
551	C612	5359-1825851	CAP, PPP 1800P
552	C613	5359-5625851	CAP, PPP 5600P
552	C614	5359-5625851	CAP, PPP 5600P
550	C615	5359-2215851	CAP, PPP 220P
550	C616	5359-2215851	CAP, PPP 220P
556	C619	5354-562J1HM	CAP, MYL 5600P
556	C620	5354-562J1HM	CAP, MYL 5600P
547	C623	5345-S19FM106	CAP, MINI ELE 10μ/50V
547	C624	5345-S19FM106	CAP, MINI ELE 10μ/50V
686	△ C625	5345-337G0962	CAP, MINI ELE 330μ/63V
686	△ C626	5345-337G0962	CAP, MINI ELE 330μ/63V
686	C627	5345-337G0962	CAP, MINI ELE 330μ/63V
686	C628	5345-337G0962	CAP, MINI ELE 330μ/63V
053B	C681	5353-330534	CAP, MCA 33P
053B	C682	5353-330534	CAP, MCA 33P
052B	C683	5354-473593	CAP, MYL .047μ
052B	C684	5354-473593	CAP, MYL .047μ
051B	C685	5359-6815851	CAP, PPP 680P
051B	C686	5359-6815851	CAP, PPP 680P
058B	C687	5361-223ZF	CAP, CER .022μ
072B	C688	5361-331KB	CAP, CER 330P
072B	C689	5361-331KB	CAP, CER 330P
512	C703	5345-S19FM106	CAP, MINI ELE 10μ/50V
512	C704	5345-S19FM106	CAP, MINI ELE 10μ/50V
512	C705	5345-S19FM106	CAP, MINI ELE 10μ/50V
512	C706	5345-S19FM106	CAP, MINI ELE 10μ/50V
511	C707	5345-337C041	CAP, MINI ELE 330μ/16V
511	C708	5345-337C041	CAP, MINI ELE 330μ/16V
511	C709	5345-337C041	CAP, MINI ELE 330μ/16V
511	C710	5345-337C041	CAP, MINI ELE 330μ/16V
587	C808	5354-102J1HM	CAP, MYL 1000P

RESISTORS

061B	R565	5232-102J16P	RES, CBN 1/6P 1K
061B	R566	5232-102J16P	RES, CBN 1/6P 1K
061B	R567	5232-102J16P	RES, CBN 1/6P 1K
061B	R568	5232-102J16P	RES, CBN 1/6P 1K
061B	R569	5232-102J16P	RES, CBN 1/6P 1K
061B	R570	5232-102J16P	RES, CBN 1/6P 1K
567	R601	5135-470522	RES, CBN 1/2P 47
567	R602	5135-470522	RES, CBN 1/2P 47
580	R603	5135-823522	RES, CBN 1/2P 82K
580	R604	5135-823522	RES, CBN 1/2P 82K
568	R605	5135-124522	RES, CBN 1/2P 120K
568	R606	5135-124522	RES, CBN 1/2P 120K
569	R607	5135-473522	RES, CBN 1/2P 47K
569	R608	5135-473522	RES, CBN 1/2P 47K
570	R609	5135-332522	RES, CBN 1/2P 3.3K
570	R610	5135-332522	RES, CBN 1/2P 3.3K
570	R611	5135-332522	RES, CBN 1/2P 3.3K
570	R612	5135-332522	RES, CBN 1/2P 3.3K
581	R613	5135-331522	RES, CBN 1/2P 330
581	R614	5135-331522	RES, CBN 1/2P 330
581	R615	5135-331522	RES, CBN 1/2P 330
581	R616	5135-331522	RES, CBN 1/2P 330
581	R617	5135-331522	RES, CBN 1/2P 330
581	R618	5135-331522	RES, CBN 1/2P 330
581	R619	5135-331522	RES, CBN 1/2P 330
581	R620	5135-331522	RES, CBN 1/2P 330
561	R621	5174-751381	RES, MTL 1/4P 750
561	R622	5174-751381	RES, MTL 1/4P 750
571	R623	5135-222522	RES, CBN 1/2P 2.2K
571	R624	5135-222522	RES, CBN 1/2P 2.2K
571	R625	5135-222522	RES, CBN 1/2P 2.2K
571	R626	5135-222522	RES, CBN 1/2P 2.2K
565	R627	5174-102381	RES, MTL 1/4P 1K
565	R628	5174-102381	RES, MTL 1/4P 1K
572	R629	5135-682522	RES, CBN 1/2P 6.8K

Ser. No.	Ref. No.	Part No.	Description	Ser. No.	Ref. No.	Part No.	Description
572	R630	5135-682522	RES, CBN 1/2P 6.8K	532	Q606	5613-2320L(F)	XISTOR, NPN R
572	R631	5135-682522	RES, CBN 1/2P 6.8K	532	Q607	5613-2320L(F)	XISTOR, NPN R
572	R632	5135-682522	RES, CBN 1/2P 6.8K	532	Q608	5613-2320L(F)	XISTOR, NPN R
573	R633	5135-471522	RES, CBN 1/2P 470	533	Q609	5611-999L(F)	XISTOR, PNP R
573	R634	5135-471522	RES, CBN 1/2P 470	533	Q610	5611-999L(F)	XISTOR, PNP R
573	R635	5135-471522	RES, CBN 1/2P 470	538	Q611	5613-2320L(F)	XISTOR, NPN R
573	R636	5135-471522	RES, CBN 1/2P 470	538	Q612	5613-2320L(F)	XISTOR, NPN R
576	R637	5135-330522	RES, CBN 1/2P 33	533	Q613	5611-999L (F)	XISTOR, PNP R
576	R638	5135-330522	RES, CBN 1/2P 33	533	Q614	5611-999L (F)	XISTOR, PNP R
576	R639	5135-330522	RES, CBN 1/2P 33	535	Q615	5612-646 (C)	XISTOR, PNP A
576	R640	5135-330522	RES, CBN 1/2P 33	535	Q616	5612-646 (C)	XISTOR, PNP A
574	R641	5174-Z412238	RES, MTL 1/4P 41.2K	534	Q617	5614-666 (C)	XISTOR, NPN A
574	R642	5174-Z412238	RES, MTL 1/4P 41.2K	534	Q618	5614-666 (C)	XISTOR, NPN A
563	R645	5174-125381	RES, MTL 1/4P 1.2M	536	Q619	5614-667 (C)	XISTOR, NPN A
563	R646	5174-125381	RES, MTL 1/4P 1.2M	536	Q620	5614-667 (C)	XISTOR, NPN A
564	R647	5174-135381	RES, MTL 1/4P 1.3M	537	Q621	5612-647 (C)	XISTOR, PNP A
564	R648	5174-135381	RES, MTL 1/4P 1.3M	537	Q622	5612-647 (C)	XISTOR, PNP A
577	R649	5135-331522	RES, CBN 1/2P 330	681	Q623	5613-3298(Y)	XISTOR, NPN R
577	R650	5135-331522	RES, CBN 1/2P 330	683	Q624	5611-1306 (Y)	XISTOR, PNP R
579	R651	5135-104522	RES, CBN 1/2P 100K	502	Q701	5611-1190 (E)	XISTOR, PNP R
579	R652	5135-104522	RES, CBN 1/2P 100K	502	Q702	5611-1190 (E)	XISTOR, PNP R
689	R653	5135-822522	RES, CBN 1/2P 8.2K	501	Q703	5613-2855 (D)	XISTOR, NPN R
689	R654	5135-822522	RES, CBN 1/2P 8.2K	501	Q704	5613-2855 (D)	XISTOR, NPN R
687	△ R655	5102-2205116	RES, FUSE 22	501	Q705	5613-2855 (D)	XISTOR, NPN R
687	△ R656	5102-2205116	RES, FUSE 22	501	Q706	5613-2855 (D)	XISTOR, NPN R
690	△ R657	5102-2205116	RES, FUSE 22	502	Q707	5611-1190 (E)	XISTOR, PNP R
690	△ R658	5102-2205116	RES, FUSE 22	502	Q708	5611-1190 (E)	XISTOR, PNP R
562	R661	5135-474522	RES, CBN 1/2P 470K	503	Q709	5613-1740S (S)	XISTOR, NPN R
562	R662	5135-474522	RES, CBN 1/2P 470K	504	Q710	5611-933S (S)	XISTOR, PNP R
690	△ R667	5102-2205116	RES, FUSE 22	504	Q711	5611-933S (S)	XISTOR, PNP R
690	△ R668	5102-2205116	RES, FUSE 22	503	Q712	5613-1740S (S)	XISTOR, NPN R
055B	R681	5135-102522	RES, CBN 1/2P 1K G GB	505	Q713	5616-2SK373GR	FET, N-CH
055B	R682	5135-102522	RES, CBN 1/2P 1K G GB	505	Q714	5616-2SK373GR	FET, N-CH
055B	R683	5135-102522	RES, CBN 1/2P 1K G GB	585	Q803	5611-933S (S)	XISTOR, PNP R
055B	R684	5135-102522	RES, CBN 1/2P 1K G GB	585	Q804	5611-933S (S)	XISTOR, PNP R
516	R701	5135-1R0522	RES, CBN 1/2P 1 BK	586	Q805	5616-2SK364 (V)	FET, N-CH
516B	R701	5135-5R6522	RES, CBN 1/2P 5.6 G GB IB WB	586	Q806	5616-2SK364 (V)	FET, N-CH
516	R702	5135-1R0522	RES, CBN 1/2P 1 BK	DIODES			
516B	R702	5135-5R6522	RES, CBN 1/2P 5.6 G GB IB WB	541	D601	5631-1S2473	DIODE, DET
519	R703	5135-560522	RES, CBN 1/2P 56 G GB IB WB	541	D602	5631-1S2473	DIODE, DET
519	R704	5135-560522	RES, CBN 1/2P 56	542	D603	5631-1SS133	DIODE, DET
521	R705	5135-472522	RES, CBN 1/2P 4.7K	542	D604	5631-1SS133	DIODE, DET
521	R706	5135-472522	RES, CBN 1/2P 4.7K	685	D605	5635-HZ24-2L	DIODE, ZENER
521	R707	5135-472522	RES, CBN 1/2P 4.7K	685	D606	5635-HZ24-2L	DIODE, ZENER
521	R708	5135-472522	RES, CBN 1/2P 4.7K	542	D607	5631-1SS133	DIODE, DET
517	R709	5135-100522	RES, CBN 1/2P 10	542	D608	5631-1SS133	DIODE, DET
517	R710	5135-100522	RES, CBN 1/2P 10	542	D609	5631-1SS133	DIODE, DET
517	R711	5135-100522	RES, CBN 1/2P 10	542	D610	5631-1SS133	DIODE, DET
517	R712	5135-100522	RES, CBN 1/2P 10	508	D701	5635-HZ15-1L	DIODE, ZENER
518	R713	5135-220522	RES, CBN 1/2P 22	508	D702	5635-HZ15-1L	DIODE, ZENER
518	R714	5135-220522	RES, CBN 1/2P 22	MISCELLANEOUS			
518	R715	5135-220522	RES, CBN 1/2P 22	914	CN304	4443-070185	CONNECTOR
518	R716	5135-220522	RES, CBN 1/2P 22	911	CN402	4443-030185	CONNECTOR
515	R717	5174-561381	RES, MTL 1/4P 560	911	CN501	4443-030185	CONNECTOR
515	R718	5174-561381	RES, MTL 1/4P 560	911	CN507	4443-030185	CONNECTOR
515	R719	5174-561381	RES, MTL 1/4P 560	892	△ J4	4484-31	PIN JACK, 4P, PHONO MM/MC
515	R720	5174-561381	RES, MTL 1/4P 560	893	△ J5	4486-9	PIN JACK, 6P, TUNER/CD/VIDEO
520	R721	5135-392522	RES, CBN 1/2P 3.9K	056B	L701	5597-3	CORE, BEADS, W-648
520	R722	5135-392522	RES, CBN 1/2P 3.9K	056B	L702	5597-3	CORE, BEADS, W-650
522	R723	5135-681522	RES, CBN 1/2P 680	583	LCN517	4163-0125039	CONNECTOR W/W
522	R724	5135-681522	RES, CBN 1/2P 680	525	LCN701	4163-0125020	CONNECTOR W/W
523	R727	5135-331522	RES, CBN 1/2P 330	865	SW9	4422-70211	SWITCH, REMOTE, CARTRIDGE
523	R728	5135-331522	RES, CBN 1/2P 330				
588	R816	5135-104522	RES, CBN 1/2P 100K				
588	R817	5135-104522	RES, CBN 1/2P 100K				
589	R818	5135-103522	RES, CBN 1/2P 10K				
590	R819	5135-105522	RES, CBN 1/2P 1M				

TRANSISTORS

531	Q601	5613-2240(BL)	XISTOR, NPN R
531	Q602	5613-2240(BL)	XISTOR, NPN R
531	Q603	5613-2240(BL)	XISTOR, NPN R
531	Q604	5613-2240(BL)	XISTOR, NPN R
532	Q605	5613-2320L(F)	XISTOR, NPN R

PCB-11 TAPE IN/OUT P. C. BOARD

CAPACITORS

060B	C567	5361-101KB	CAP, CER 100P G GB
060B	C568	5361-101KB	CAP, CER 100P G GB
060B	C569	5361-101KB	CAP, CER 100P G GB

Ser. No.	Ref. No.	Part No.	Description
060B	C570	5361-101KB	CAP, CER 100P G GB
060B	C571	5361-101KB	CAP, CER 100P G GB
060B	C572	5361-101KB	CAP, CER 100P G GB
060B	C573	5361-101KB	CAP, CER 100P G GB
060B	C574	5361-101KB	CAP, CER 100P G GB
060B	C575	5361-101KB	CAP, CER 100P G GB
060B	C576	5361-101KB	CAP, CER 100P G GB
070B	C801	5359-S010J331	CAP, PPP 330P G GB
070B	C802	5359-S010J331	CAP, PPP 330P G GB
071B	C803	5359-S010J101	CAP, PPP 100P G GB
071B	C804	5359-S010J101	CAP, PPP 100P G GB

RESISTORS

063B	R571	5232-102J16P	RES, CBN 1/6P 1K G GB
063B	R572	5232-102J16P	RES, CBN 1/6P 1K G GB
063B	R573	5232-102J16P	RES, CBN 1/6P 1K G GB
063B	R574	5232-102J16P	RES, CBN 1/6P 1K G GB
063B	R575	5232-102J16P	RES, CBN 1/6P 1K G GB
063B	R576	5232-102J16P	RES, CBN 1/6P 1K G GB
063B	R577	5232-102J16P	RES, CBN 1/6P 1K G GB
063B	R578	5232-102J16P	RES, CBN 1/6P 1K G GB
063B	R579	5232-102J16P	RES, CBN 1/6P 1K G GB
063B	R580	5232-102J16P	RES, CBN 1/6P 1K G GB
619	R585	5135-102522	RES, CBN 1/2P 1K
619	R586	5135-102522	RES, CBN 1/2P 1K
671	R587	5135-391522	RES, CBN 1/2P 390
671	R588	5135-391522	RES, CBN 1/2P 390
618	R589	5135-471522	RES, CBN 1/2P 470
618	R590	5135-471522	RES, CBN 1/2P 470

MISCELLANEOUS

918	CN106	4443-030185	CONNECTOR
916	CN504	4443-070185	CONNECTOR
916	CN506	4443-070185	CONNECTOR
918	CN518	4443-030185	CONNECTOR
891	△ J2	4484-47	PIN JACK, 4P, PRE-OUT/MAIN-IN
891	△ J3	4484-47	PIN JACK, 4P, TAPE 1
894	△ J6	4486-16	PIN JACK, 6P, TAPE 2/AUX
679	LCN520	4163-0136039	CONNECTOR W/W
875	SW5	4421-02601042	SWITCH, SLIDE, INTEGRATED/SEPARATE
934		2240-Z031	HOLDER, W504

PCB-12 HEADPHONES P. C. BOARD

MISCELLANEOUS

886	J1	4451-51501	JACK, 1P, HEADPHONES
906		2240-Z031	HOLDER, W510

PCB-13 SPEAKER OPERATING MODE P. C. BOARD

CAPACITORS

835	C250	5354-104593	CAP, MYL .1μ BK WB
835	C251	5354-104593	CAP, MYL .1μ BK WB
835	C252	5354-104593	CAP, MYL .1μ BK WB
835	C253	5354-104593	CAP, MYL .1μ BK WB

MISCELLANEOUS

950	LCN250	4163-0118020	CONNECTOR W/W BK WB
951	LCN251	4163-0118021	CONNECTOR W/W BK WB
953	LCN252	4163-0118022	CONNECTOR W/W BK WB
954	LCN253	4163-0118023	CONNECTOR W/W BK WB
945	LCN522	4163-0125021	CONNECTOR W/W BK WB
956	LCN523	4163-0125023	CONNECTOR W/W BK WB
866	△ SW202	4464-00102022	SWITCH, SEESAW, SPEAKER OPERATING MODE BK WB

PCB-14 REMOTE P. C. BOARD

CAPACITORS

438	C206	5345-476B041	CAP, MINI ELE 47μ/10V
441	C207	5361-101JCH	CAP, CER 100P

Ser. No.	Ref. No.	Part No.	Description
441	C208	5361-101JCH	CAP, CER 100P
427	C215	5345-106C0951	CAP, MINI ELE 10μ/16V
425	C218	5345-107B041	CAP, MINI ELE 100μ/10V

RESISTORS

439	R213	5135-103522	RES, CBN 1/2P 10K
439	R214	5135-103522	RES, CBN 1/2P 10K
428	R217	5135-102522	RES, CBN 1/2P 1K
428	R218	5135-102522	RES, CBN 1/2P 1K
439	R219	5135-103522	RES, CBN 1/2P 10K
442	R220	5135-105522	RES, CBN 1/2P 1M
440	R221	5135-473522	RES, CBN 1/2P 47K
440	R222	5135-473522	RES, CBN 1/2P 47K
429	R224	5135-472522	RES, CBN 1/2P 4.7K
429	R225	5135-472522	RES, CBN 1/2P 4.7K
440	R226	5135-473522	RES, CBN 1/2P 47K
440	R227	5135-473522	RES, CBN 1/2P 47K
440	R228	5135-473522	RES, CBN 1/2P 47K
440	R229	5135-473522	RES, CBN 1/2P 47K
443	R238	5135-101522	RES, CBN 1/2P 100

INTEGRATED CIRCUITS

431	IC201	5654-M761281P	IC, DIGITAL
432	IC202	5654-TC4028BP	IC, DIGITAL

TRANSISTORS

424	Q206	5611-933S(S)	XISTOR, PNP R
422	Q208	5611-A124ES	XISTOR, PNP R
433	Q209	5613-C144ES	XISTOR, NPN R
433	Q210	5613-C144ES	XISTOR, NPN R

DIODES

426	D206	5637-GL3ED8	LED, POWER/STANDBY
434	D207	5636-1S2473	DIODE, SWITCH
434	D208	5636-1S2473	DIODE, SWITCH
435	△ D216	5635-HZ3A2	DIODE, ZENER

MISCELLANEOUS

467	CW201	4163-S0208351	CONNECTOR W/W
468	CW202	4163-S0206401	CONNECTOR W/W
469	CW203	4163-S0203301	CONNECTOR W/W
471	CW205	4163-S0203451	CONNECTOR W/W
437	RCV201	6143-00804	RECEIVER BLOCK, REMOTE SENSOR
436	X201	5693-CSB400P	OSC, CER

PCB-15 BACK UP P. C. BOARD

CAPACITORS

448	C213	5354-274593	CAP, MYL .27μ
448	C214	5354-274593	CAP, MYL .27μ
449	△ C216	5352-S010M103	CAP, MTL .01μ BK
449B	△ C216	5352-1030958	CAP, MTL .01μ G GB IB WB
444	C219	5345-477D041	CAP, MINI ELE 470μ/25V

RESISTOR

042B	△ R241	5135-335522	RES, CBN 1/2P 3.3M G GB IB WB
------	--------	-------------	--------------------------------------

DIODES

446	D202	5636-1S2473	DIODE, SWITCH
447	△ D209	5632-S5566B	DIODE, RECT
447	△ D210	5632-S5566B	DIODE, RECT
447	△ D211	5632-S5566B	DIODE, RECT
447	△ D212	5632-S5566B	DIODE, RECT

MISCELLANEOUS

460	△ F201	5732-251031	FUSE, 250mA/125V BK
460B	△ F201	5732-251030	FUSE, T250mA/250V G GB IB WB
836	△ F202	5732-632031	FUSE, 6.3A/125V BK
836B	△ F202	5732-312030	FUSE, T3.15A/250V G GB IB WB
461	△ HF201	4472-04501	HOLDER, FUSE F201

Ser. No.	Ref. No.	Part No.	Description
461	△ HF202	4472-04501	HOLDER, FUSE F201
461	△ HF203	4472-04501	HOLDER, FUSE F202
461	△ HF204	4472-04501	HOLDER, FUSE F202
466	JL206	4242-R0503201	JUMPER LEAD
450	△ RL201	4331-01702	RELAY, DC
896	△ SO201	4474-04301	SOCKET, AC OUTLET BK
041B	△ SW203	4411-00501102	SWITCH, ROTARY, VOLTAGE SELECTOR G GB IB WB
459	△ T201	5584-001479	XFORMER, POWER, BACK UP BK
459B	△ T201	5584-T1101	XFORMER, POWER, BACK UP G GB IB WB
451	TM201	4214-122	TERMINAL
451	TM202	4214-122	TERMINAL
451	TM203	4214-122	TERMINAL
451	TM204	4214-122	TERMINAL
473		2240-Z032	HOLDER, JL206

PCB-16 REMOTE JACK P. C. BOARD

CAPACITOR			
476	C220	5345-S19CM226	CAP, MINI ELE 22μ/16V
RESISTORS			
452	R231	5135-271522	RES, CBN 1/2P 270
455	R232	5135-101522	RES, CBN 1/2P 100
456	R233	5135-392522	RES, CBN 1/2P 3.9K
454	R234	5135-470522	RES, CBN 1/2P 47
453	R235	5135-473522	RES, CBN 1/2P 47K
TRANSISTOR			
423	Q211	5611-A143ES	XISTOR,PNP R
MISCELLANEOUS			
472	CN205	4443-0301140	CONNECTOR
458	J201	4451-00184	JACK, 1P, REMOTE IN
458	J202	4451-00184	JACK, 1P, REMOTE OUT
457	PH201	5624-PC817	PHOTO COUPLER

PCB-17 VOLUME LED P. C. BOARD

CAPACITOR			
903	C217	5345-S19CM106	CAP, MINI ELE 10μ/16V
DIODE			
905	D201	5637-S2410E1	LED, VOLUME
MISCELLANEOUS			
470	CW204	4163-01524002	CONNECTOR W/W

CHASSIS MISCELLANEOUS

MISCELLANEOUS			
065B	LUG	4211-4	LUG G GB
900	△ P1	4161-71151	CORD W/PLUG BK
900B	△ P1	4161-7256	CORD W/PLUG G GB IB WB
831	△ T1	5584-T0801	XFORMER, POWER BK
831B	△ T1	5584-T0802	XFORMER, POWER G GB IB WB

PACKING PARTS LIST

021	1756-06304	LABEL, 230V/50Hz G GB IB WB
022	1756-03124	LABEL (G), (x2) G GB
022	1756-03101	LABEL (W), (x2) WB
022	1756-03108	LABEL (I), (x2) IB
023	1111-J30235	OWNER GUIDE, POWER SWITCH CAUTION G GB IB
027	1111-0370J152	OWNER GUIDE, VOLTAGE SELECTOR ADDENDUM WB

Ser. No.	Ref. No.	Part No.	Description
		1111-0290J152	OWNER GUIDE BK WB
		1111-0300J152	OWNER GUIDE G GB IB
		1113-02501	OWNER CARD, REPLY CARD BK
		1116-03801	GUARANTY CARD, WARRANTY BK
		1119-04501	ATTACH SHEET, SERVICE GUIDE BK
		1119-01201	ATTACH SHEET, UL BK
		1241-R0123351	POLYETHY BAG, OG
		1241-R0165751	POLYETHY BAG, SET
		1221-31401	CARTON BOX, ACCESSORY
		1221-867143	CARTON BOX G
		1221-877143	CARTON BOX BK GB IB WB
		1222-7225	CUSHION, R
		1222-7226	CUSHION, L
		1223-11729	SOFT SHEET
		6142-06805	REMOTE CONTROL
		4191-0355	BATTERY, DRY
		4161-08201102	CORD W/PLUG, REMOTE IN/OUT (x3)

ABBREVIATIONS IN PARTS LIST

- CAPACITORS**
 CAP, MINI ELE : Electrolytic
 CAP, CER : Ceramic
 CAP, PPP : Polypropylene
 CAP, MYL : Mylar
 CAP, MCA : Mica
 470μ : 470μF
 6800P : 6800pF
 .047μ : 0.047μF

- RESISTORS**
 RES, CBN 1/6P : Carbon 1/6W
 2.2K : 2.2kΩ
 220 : 220Ω
 RES, FUSE : Fuse
 RES, CEM 5P : Cement 5W
 RES, MTL 1P : Metal 1W

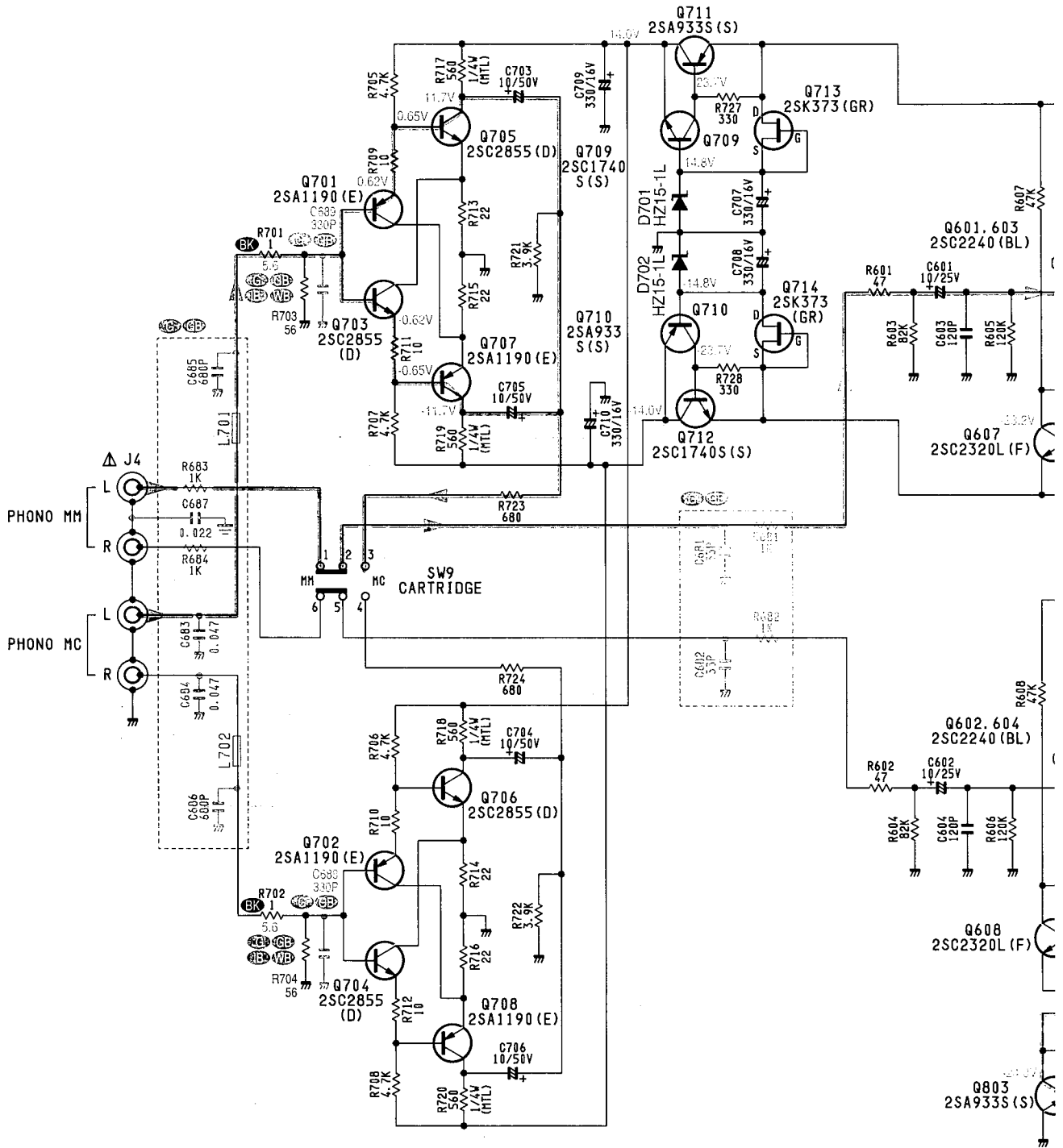
- TRANSISTORS**
 XISTOR : Transistor
 FET : Field Effect Transistor

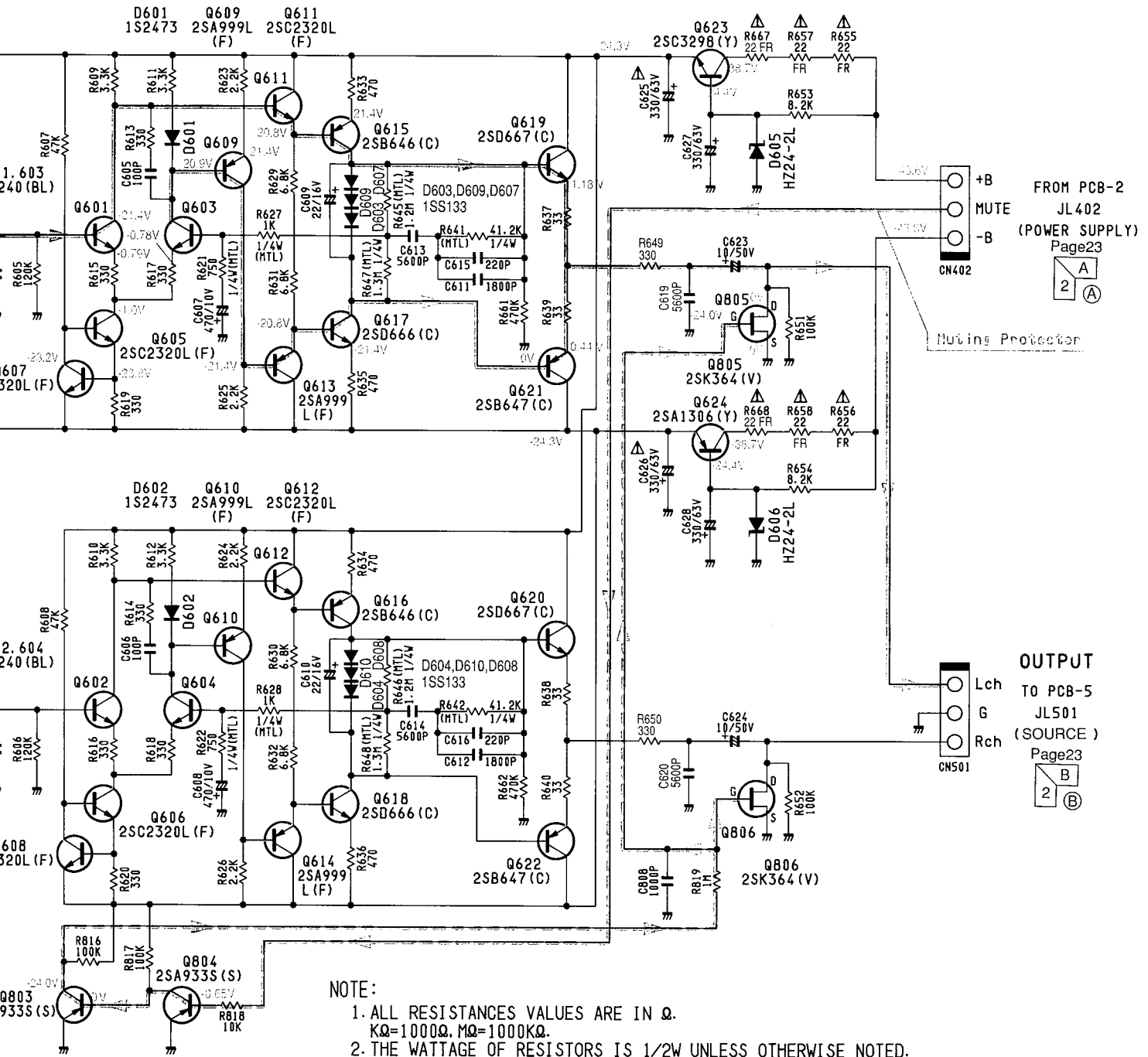
- CONTROLS**
 RES, V CBN : Variable Carbon Resistor
 RES, SEMI FIX : Semi - fixed Resistors

NOTE:
 SAFETY RELATED COMPONENT. USE ONLY EXACT REPLACEMENT PART AS SPECIFIED.

SCHMATIC DIAGRAM (1)

PCB-10 EQ P. C. BOARD (1/2)



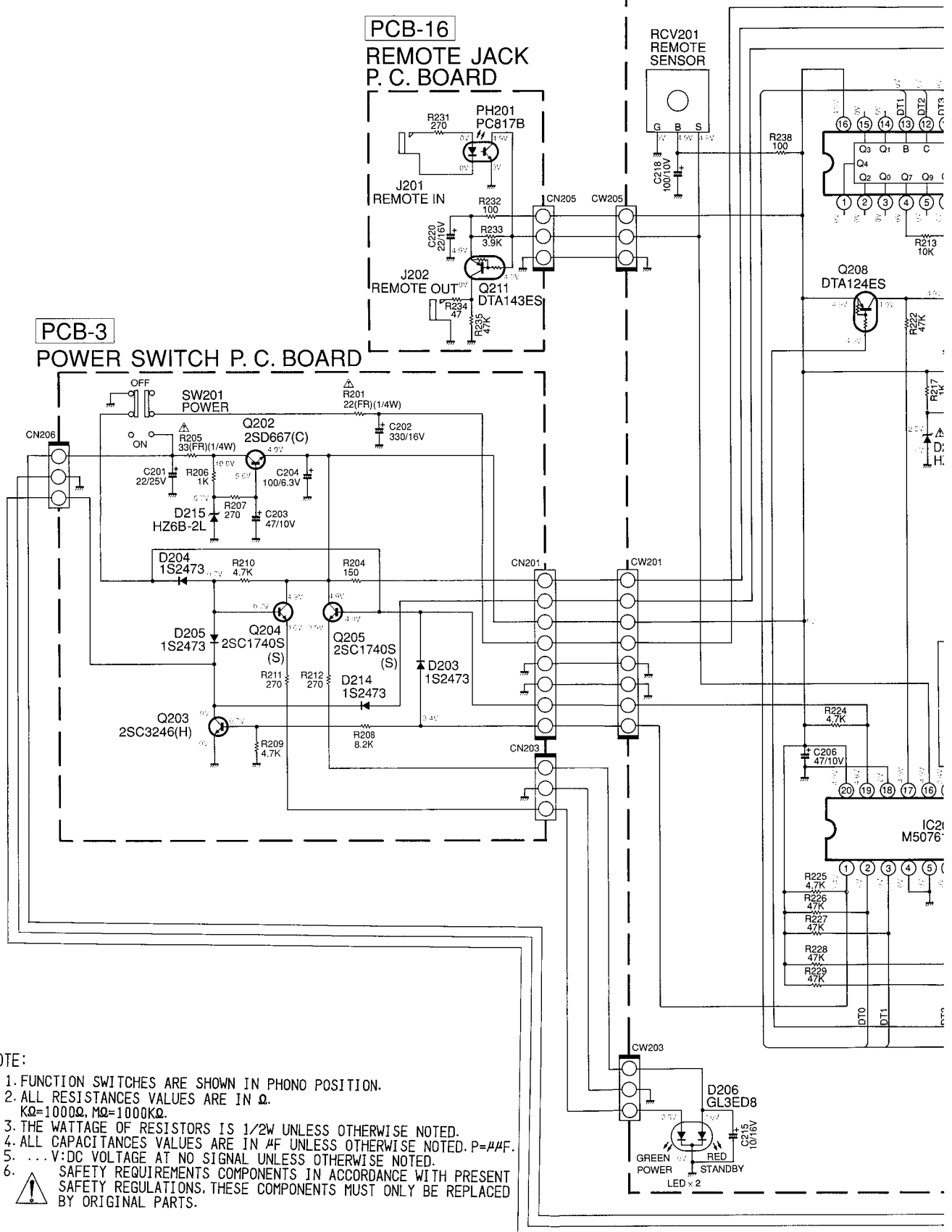


SCHEMATIC DIAGRAM (2)

**PCB-14
REMOTE P. C. BOARD**

**PCB-16
REMOTE JACK
P. C. BOARD**

**PCB-3
POWER SWITCH P. C. BOARD**

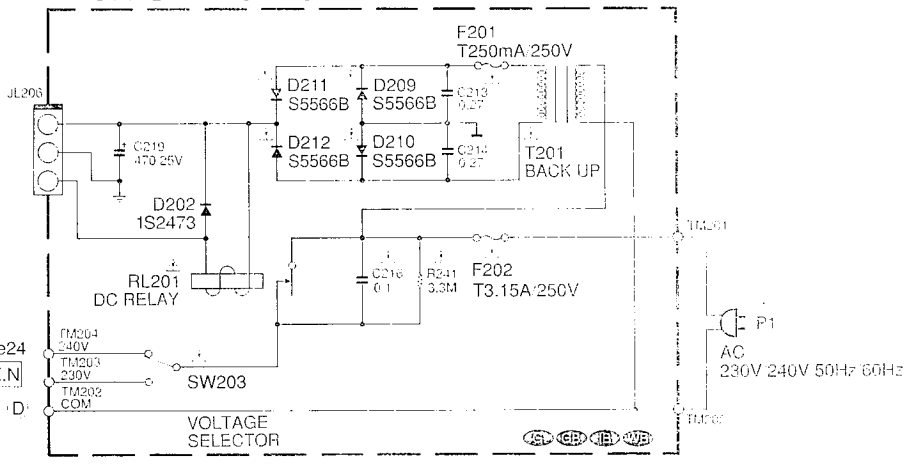


NOTE:

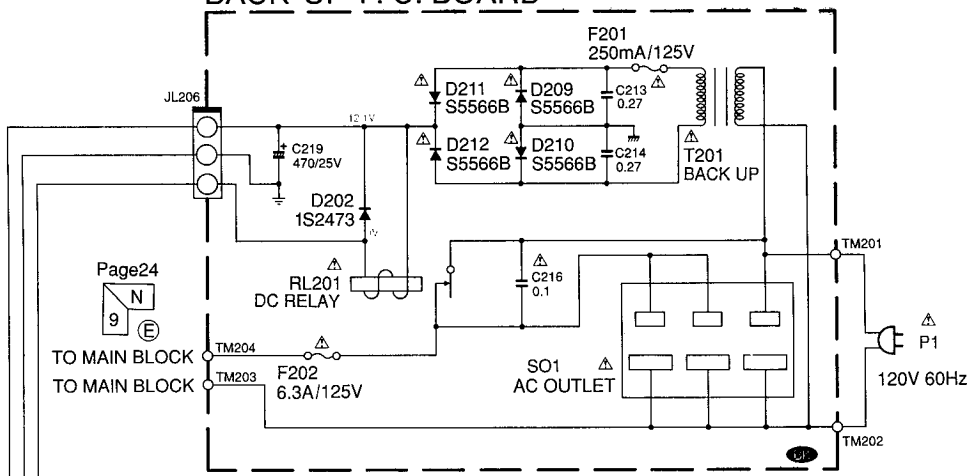
1. FUNCTION SWITCHES ARE SHOWN IN PHONO POSITION.
2. ALL RESISTANCES VALUES ARE IN Ω .
K Ω =1000 Ω , M Ω =1000K Ω .
3. THE WATTAGE OF RESISTORS IS 1/2W UNLESS OTHERWISE NOTED.
4. ALL CAPACITANCES VALUES ARE IN μ F UNLESS OTHERWISE NOTED. P= μ F.
5. ...V:DC VOLTAGE AT NO SIGNAL UNLESS OTHERWISE NOTED.
6. SAFETY REQUIREMENTS COMPONENTS IN ACCORDANCE WITH PRESENT SAFETY REGULATIONS, THESE COMPONENTS MUST ONLY BE REPLACED BY ORIGINAL PARTS.



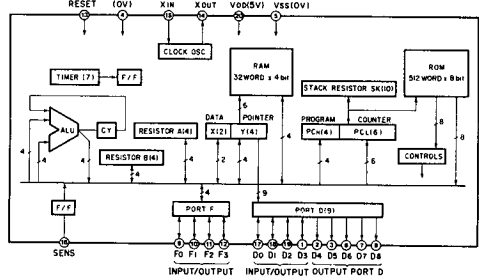
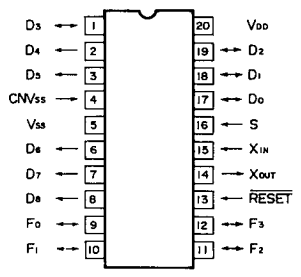
PCB-15
BACK UP P. C. BOARD



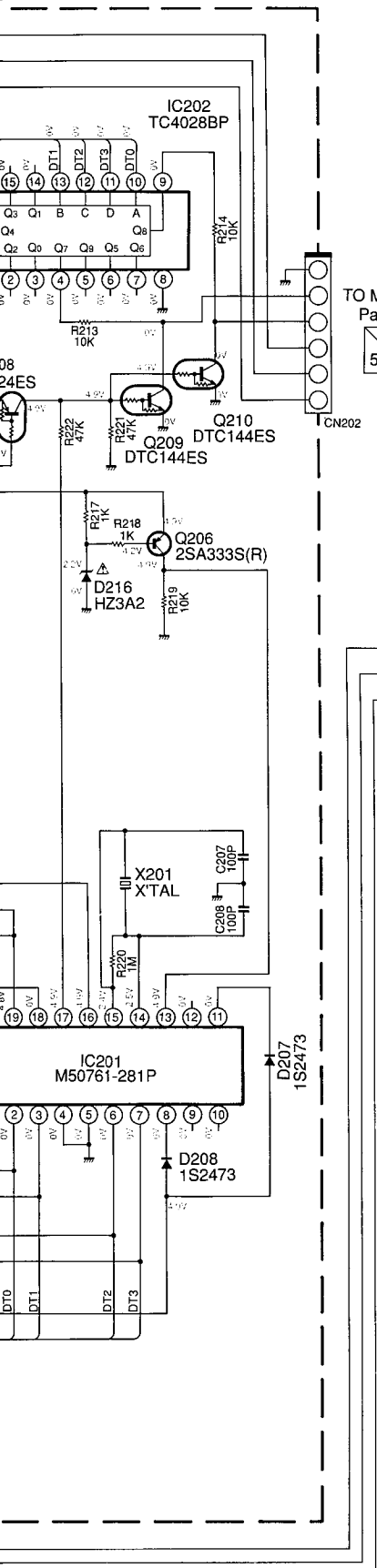
PCB-15
BACK UP P. C. BOARD

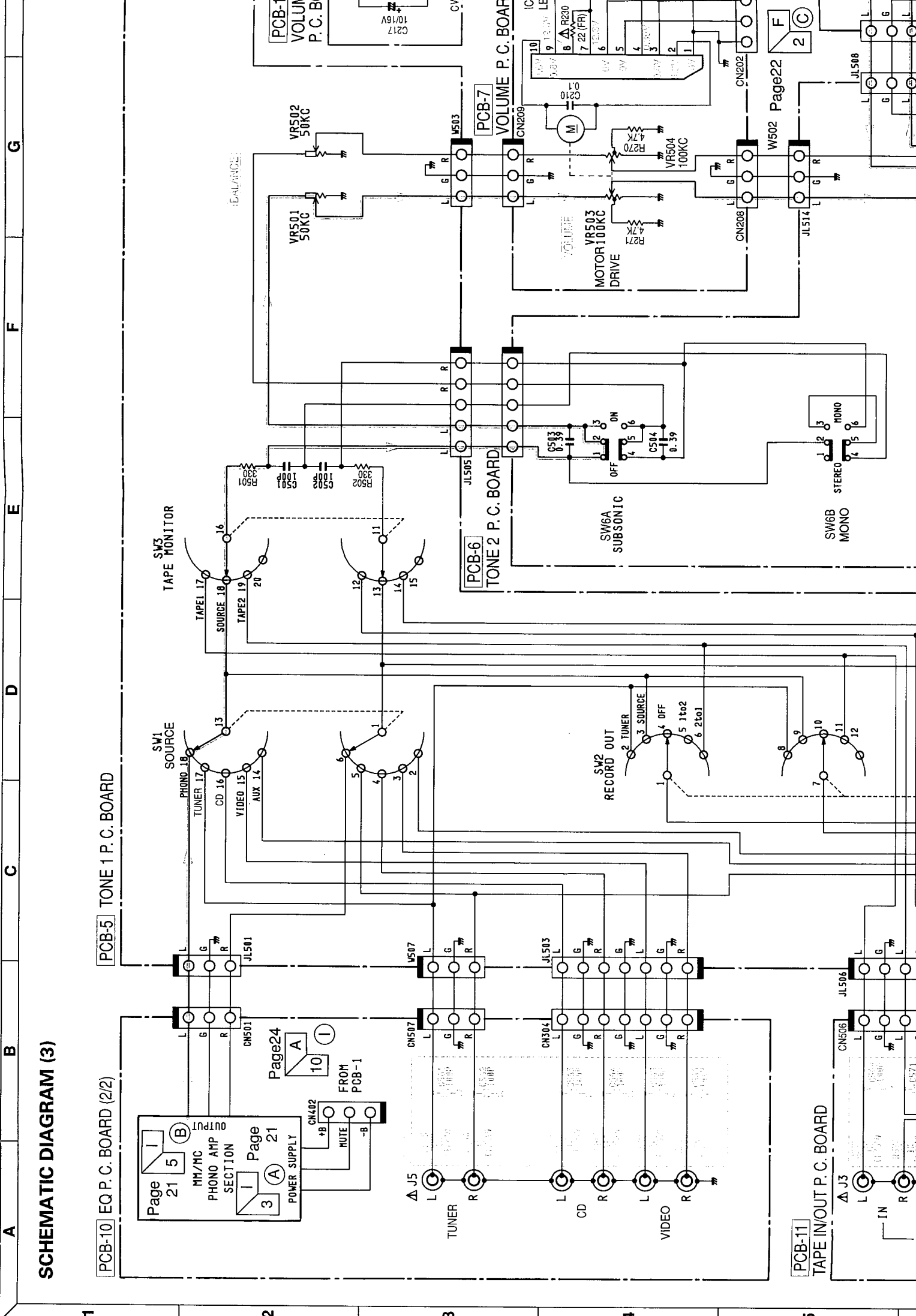


IC201
M50761-281P



Pin No.	Pin Name	I/O	Function
1		I/O	9-bit terminal having output function on an independent bit basis. Output is open drain circuit for N channel transistor. Port D0 to D3 terminals have 4-bit input function. Programming output latch to "1" sets the output to floating (high impedance) state so that the terminals may be used as input port.
17	I/O		
18	PORT D	I/O	
19		I/O	
2		O	OUT PORT D
3		O	
6		O	
7		O	
8		O	
4	CNVss (0V)	—	Connect to Vss. Low input (0V) must be applied.
5	Vss (0V)	—	GND terminal
9		I/O	4-bit I/O terminal with output latch. Output is open drain circuit for N channel transistor. Programming port F output latch to "1" sets the output to floating (high impedance) state so that port F may be used as input port.
10	I/O	I/O	
11	PORT F	I/O	
12		I/O	
13	RESET	I	Sets to reset state by applying low level signal for two or more machine cycles.
14	XOUT	O	Connect external resistor R for oscillation CR in the clock generation circuit. Ceramic resonator may be connected.
15	XIN	I	
16	SENSE INPUT S	I	Sense input terminal active on leading edge. Sets flag to "1" when terminal S signal changes from low to high. Allows test and flag clear to be performed by command.
20	VDD (5V)	—	Positive power supply terminal.





SCHEMATIC DIAGRAM (3)

PCB-10 EQ P.C. BOARD (2/2)

PCB-5 TONE 1 P.C. BOARD

PCB-6 TONE 2 P.C. BOARD

PCB-7 VOLUME P.C. BOARD

PCB-11 TAPE IN/OUT P.C. BOARD

Page 21
MM/MC
PHONO AMP SECTION
Page 21
POWER SUPPLY

SW1
SOURCE
PHONO 18
TUNER 17
CD 16
VIDEO 15
AUX 14

SW3
TAPE MONITOR
TAPE 17
SOURCE 18
TAPE 19
TAPE 20

SW2
RECORD OUT
2 TUNER
3 SOURCE
4 OFF
5 1 to 2
6 2 to 1

SW6A
SUBSONIC
OFF
ON

SW6B
MONO
STEREO

PCB-11
TAPE 1

PCB-7
VOLUME
MOTOR DRIVE

PCB-17
VOLUME
P.C. BOARD

PCB-11
TAPE IN/OUT P.C. BOARD

PCB-5
TONE 1 P.C. BOARD

PCB-6
TONE 2 P.C. BOARD

PCB-7
VOLUME P.C. BOARD

PCB-11
TAPE IN/OUT P.C. BOARD

PCB-17
VOLUME P.C. BOARD

PCB-11
TAPE IN/OUT P.C. BOARD

PCB-5
TONE 1 P.C. BOARD

PCB-6
TONE 2 P.C. BOARD

PCB-7
VOLUME P.C. BOARD

PCB-11
TAPE IN/OUT P.C. BOARD

PCB-17
VOLUME P.C. BOARD

PCB-11
TAPE IN/OUT P.C. BOARD

PCB-5
TONE 1 P.C. BOARD

PCB-6
TONE 2 P.C. BOARD

PCB-7
VOLUME P.C. BOARD

PCB-11
TAPE IN/OUT P.C. BOARD

PCB-17
VOLUME P.C. BOARD

PCB-11
TAPE IN/OUT P.C. BOARD

PCB-5
TONE 1 P.C. BOARD

PCB-6
TONE 2 P.C. BOARD

PCB-7
VOLUME P.C. BOARD

PCB-11
TAPE IN/OUT P.C. BOARD

PCB-17
VOLUME P.C. BOARD

PCB-11
TAPE IN/OUT P.C. BOARD

PCB-5
TONE 1 P.C. BOARD

PCB-6
TONE 2 P.C. BOARD

PCB-7
VOLUME P.C. BOARD

PCB-11
TAPE IN/OUT P.C. BOARD

PCB-17
VOLUME P.C. BOARD

PCB-11
TAPE IN/OUT P.C. BOARD

PCB-5
TONE 1 P.C. BOARD

PCB-6
TONE 2 P.C. BOARD

PCB-7
VOLUME P.C. BOARD

PCB-11
TAPE IN/OUT P.C. BOARD

PCB-17
VOLUME P.C. BOARD

PCB-11
TAPE IN/OUT P.C. BOARD

PCB-5
TONE 1 P.C. BOARD

PCB-6
TONE 2 P.C. BOARD

PCB-7
VOLUME P.C. BOARD

PCB-11
TAPE IN/OUT P.C. BOARD

PCB-17
VOLUME P.C. BOARD

PCB-11
TAPE IN/OUT P.C. BOARD

PCB-5
TONE 1 P.C. BOARD

PCB-6
TONE 2 P.C. BOARD

PCB-7
VOLUME P.C. BOARD

PCB-11
TAPE IN/OUT P.C. BOARD

PCB-17
VOLUME P.C. BOARD

PCB-11
TAPE IN/OUT P.C. BOARD

PCB-5
TONE 1 P.C. BOARD

PCB-6
TONE 2 P.C. BOARD

PCB-7
VOLUME P.C. BOARD

PCB-11
TAPE IN/OUT P.C. BOARD

PCB-17
VOLUME P.C. BOARD

PCB-11
TAPE IN/OUT P.C. BOARD

PCB-5
TONE 1 P.C. BOARD

PCB-6
TONE 2 P.C. BOARD

PCB-7
VOLUME P.C. BOARD

PCB-11
TAPE IN/OUT P.C. BOARD

PCB-17
VOLUME P.C. BOARD

PCB-11
TAPE IN/OUT P.C. BOARD

PCB-5
TONE 1 P.C. BOARD

PCB-6
TONE 2 P.C. BOARD

PCB-7
VOLUME P.C. BOARD

PCB-11
TAPE IN/OUT P.C. BOARD

PCB-17
VOLUME P.C. BOARD

PCB-11
TAPE IN/OUT P.C. BOARD

PCB-5
TONE 1 P.C. BOARD

PCB-6
TONE 2 P.C. BOARD

PCB-7
VOLUME P.C. BOARD

PCB-11
TAPE IN/OUT P.C. BOARD

PCB-17
VOLUME P.C. BOARD

PCB-11
TAPE IN/OUT P.C. BOARD

PCB-5
TONE 1 P.C. BOARD

PCB-6
TONE 2 P.C. BOARD

PCB-7
VOLUME P.C. BOARD

PCB-11
TAPE IN/OUT P.C. BOARD

PCB-17
VOLUME P.C. BOARD

PCB-11
TAPE IN/OUT P.C. BOARD

PCB-5
TONE 1 P.C. BOARD

PCB-6
TONE 2 P.C. BOARD

PCB-7
VOLUME P.C. BOARD

PCB-11
TAPE IN/OUT P.C. BOARD

PCB-17
VOLUME P.C. BOARD

PCB-11
TAPE IN/OUT P.C. BOARD

PCB-5
TONE 1 P.C. BOARD

PCB-6
TONE 2 P.C. BOARD

PCB-7
VOLUME P.C. BOARD

PCB-11
TAPE IN/OUT P.C. BOARD

PCB-17
VOLUME P.C. BOARD

PCB-11
TAPE IN/OUT P.C. BOARD

PCB-5
TONE 1 P.C. BOARD

PCB-6
TONE 2 P.C. BOARD

PCB-7
VOLUME P.C. BOARD

PCB-11
TAPE IN/OUT P.C. BOARD

PCB-17
VOLUME P.C. BOARD

PCB-11
TAPE IN/OUT P.C. BOARD

PCB-5
TONE 1 P.C. BOARD

PCB-6
TONE 2 P.C. BOARD

PCB-7
VOLUME P.C. BOARD

PCB-11
TAPE IN/OUT P.C. BOARD

PCB-17
VOLUME P.C. BOARD

PCB-11
TAPE IN/OUT P.C. BOARD

PCB-5
TONE 1 P.C. BOARD

PCB-6
TONE 2 P.C. BOARD

PCB-7
VOLUME P.C. BOARD

PCB-11
TAPE IN/OUT P.C. BOARD

PCB-17
VOLUME P.C. BOARD

PCB-11
TAPE IN/OUT P.C. BOARD

PCB-5
TONE 1 P.C. BOARD

PCB-6
TONE 2 P.C. BOARD

PCB-7
VOLUME P.C. BOARD

PCB-11
TAPE IN/OUT P.C. BOARD

PCB-17
VOLUME P.C. BOARD

PCB-11
TAPE IN/OUT P.C. BOARD

PCB-5
TONE 1 P.C. BOARD

PCB-6
TONE 2 P.C. BOARD

PCB-7
VOLUME P.C. BOARD

PCB-11
TAPE IN/OUT P.C. BOARD

PCB-17
VOLUME P.C. BOARD

PCB-11
TAPE IN/OUT P.C. BOARD

PCB-5
TONE 1 P.C. BOARD

PCB-6
TONE 2 P.C. BOARD

PCB-7
VOLUME P.C. BOARD

PCB-11
TAPE IN/OUT P.C. BOARD

PCB-17
VOLUME P.C. BOARD

PCB-11
TAPE IN/OUT P.C. BOARD

PCB-5
TONE 1 P.C. BOARD

PCB-6
TONE 2 P.C. BOARD

PCB-7
VOLUME P.C. BOARD

PCB-11
TAPE IN/OUT P.C. BOARD

PCB-17
VOLUME P.C. BOARD

PCB-11
TAPE IN/OUT P.C. BOARD

PCB-5
TONE 1 P.C. BOARD

PCB-6
TONE 2 P.C. BOARD

PCB-7
VOLUME P.C. BOARD

PCB-11
TAPE IN/OUT P.C. BOARD

PCB-17
VOLUME P.C. BOARD

PCB-11
TAPE IN/OUT P.C. BOARD

PCB-5
TONE 1 P.C. BOARD

PCB-6
TONE 2 P.C. BOARD

PCB-7
VOLUME P.C. BOARD

PCB-11
TAPE IN/OUT P.C. BOARD

PCB-17
VOLUME P.C. BOARD

PCB-11
TAPE IN/OUT P.C. BOARD

PCB-5
TONE 1 P.C. BOARD

PCB-6
TONE 2 P.C. BOARD

PCB-7
VOLUME P.C. BOARD

PCB-11
TAPE IN/OUT P.C. BOARD

PCB-17
VOLUME P.C. BOARD

PCB-11
TAPE IN/OUT P.C. BOARD

PCB-5
TONE 1 P.C. BOARD

PCB-6
TONE 2 P.C. BOARD

PCB-7
VOLUME P.C. BOARD

PCB-11
TAPE IN/OUT P.C. BOARD

PCB-17
VOLUME P.C. BOARD

PCB-11
TAPE IN/OUT P.C. BOARD

PCB-5
TONE 1 P.C. BOARD

PCB-6
TONE 2 P.C. BOARD

PCB-7
VOLUME P.C. BOARD

PCB-11
TAPE IN/OUT P.C. BOARD

PCB-17
VOLUME P.C. BOARD

PCB-11
TAPE IN/OUT P.C. BOARD

PCB-5
TONE 1 P.C. BOARD

PCB-6
TONE 2 P.C. BOARD

PCB-7
VOLUME P.C. BOARD

PCB-11
TAPE IN/OUT P.C. BOARD

PCB-17
VOLUME P.C. BOARD

PCB-11
TAPE IN/OUT P.C. BOARD

PCB-5
TONE 1 P.C. BOARD

PCB-6
TONE 2 P.C. BOARD

PCB-7
VOLUME P.C. BOARD

PCB-11
TAPE IN/OUT P.C. BOARD

PCB-17
VOLUME P.C. BOARD

PCB-11
TAPE IN/OUT P.C. BOARD

PCB-5
TONE 1 P.C. BOARD

PCB-6
TONE 2 P.C. BOARD

PCB-7
VOLUME P.C. BOARD

PCB-11
TAPE IN/OUT P.C. BOARD

PCB-17
VOLUME P.C. BOARD

PCB-11
TAPE IN/OUT P.C. BOARD

PCB-5
TONE 1 P.C. BOARD

PCB-6
TONE 2 P.C. BOARD

PCB-7
VOLUME P.C. BOARD

PCB-11
TAPE IN/OUT P.C. BOARD

PCB-17
VOLUME P.C. BOARD

PCB-11
TAPE IN/OUT P.C. BOARD

PCB-5
TONE 1 P.C. BOARD

PCB-6
TONE 2 P.C. BOARD

PCB-7
VOLUME P.C. BOARD

PCB-11
TAPE IN/OUT P.C. BOARD

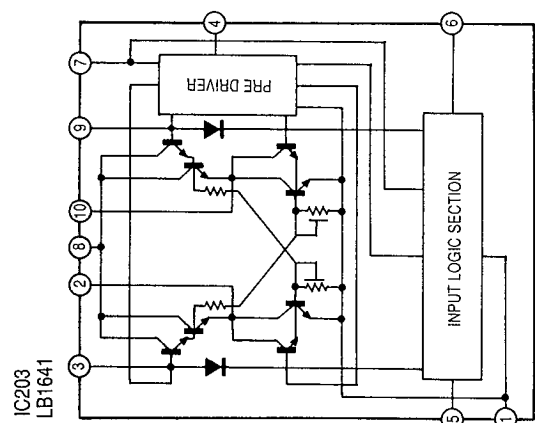
PCB-17
VOLUME P.C. BOARD

PCB-11
TAPE IN/OUT P.C. BOARD

PCB-5
TONE 1 P.C. BOARD

PCB-6
TONE 2 P.C. BOARD

PCB-7
VOLUME P.C. BOARD



IC203
LB1641

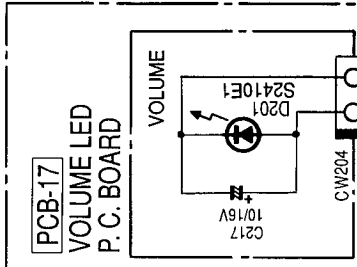
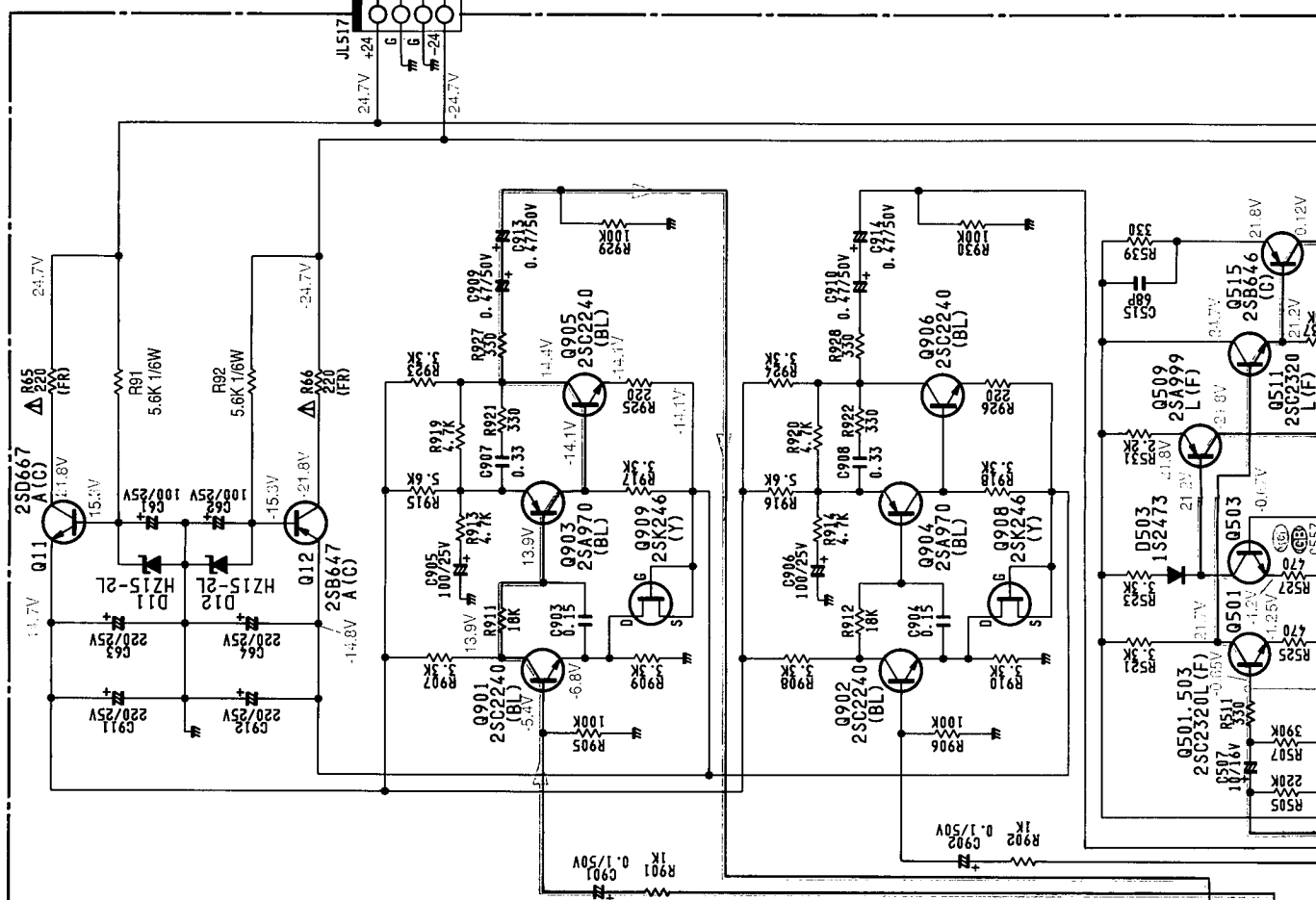
Page24
A 9

FROM PCB-2
JL517

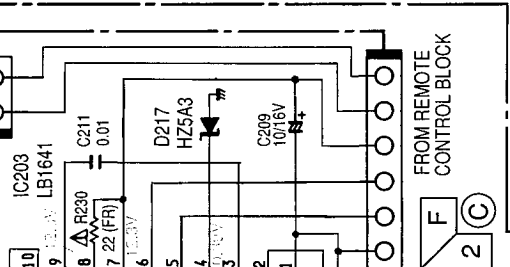
NOTE:
1. ALL RESISTANCE VALUES ARE IN Ω .
K Ω =1000 Ω , M Ω =1000K Ω .
2. THE WATTAGE OF RESISTORS IS 1/2W UNLESS OTHERWISE NOTED.
3. ALL CAPACITANCE VALUES ARE IN μ F UNLESS OTHERWISE NOTED. P= μ WF.
4. ... V:DC VOLTAGE AT NO SIGNAL UNLESS OTHERWISE NOTED.
5. SAFETY REQUIREMENTS COMPONENTS IN ACCORDANCE WITH PRESENT SAFETY REGULATIONS. THESE COMPONENTS MUST ONLY BE REPLACED BY ORIGINAL PARTS.

Page24
A 5

TO PCB-1
V505



PCB-17
VOLUME LED
P.C. BOARD

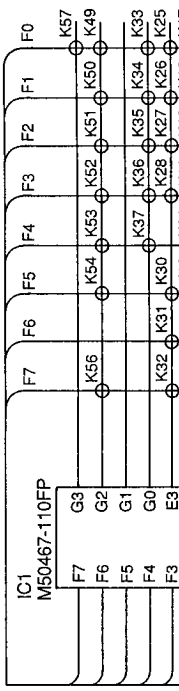


ME P.C. BOARD

FROM REMOTE CONTROL BLOCK

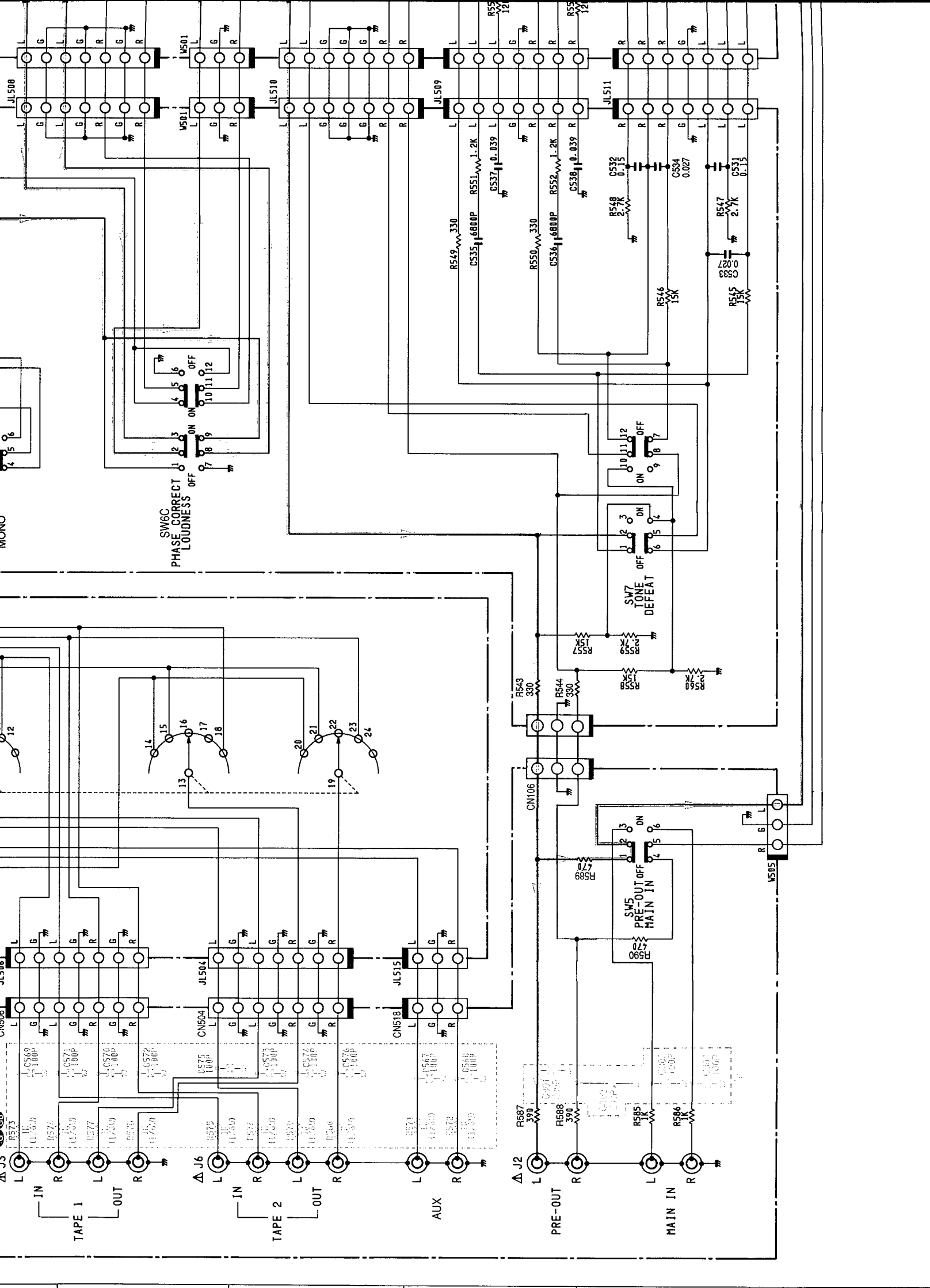
ge22
F 2

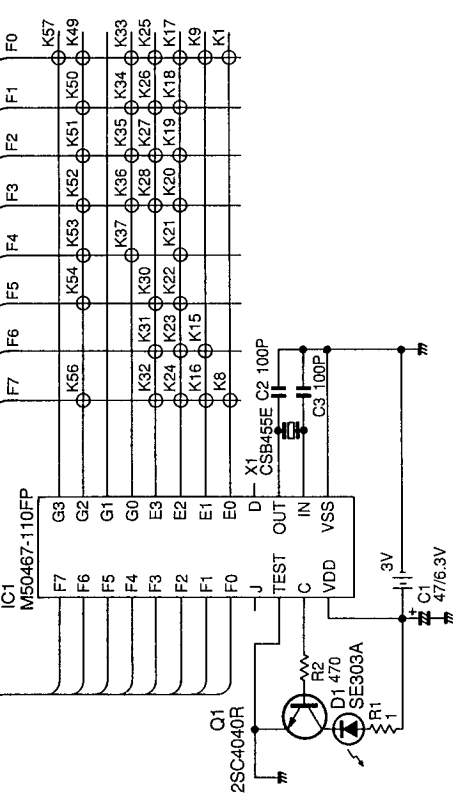
INFRARED REMOTE CONTROL SCHEMATIC DIAGRAM



IC1	M50467-110FP	F0	F1	F2	F3	F4	F5	F6	F7	F8	F9
F7	G3	F0	F1	F2	F3	F4	F5	F6	F7	F8	F9
F6	G2	K57	K58	K59	K60	K61	K62	K63	K64	K65	K66
F5	G1	K67	K68	K69	K70	K71	K72	K73	K74	K75	K76
F4	G0	K77	K78	K79	K80	K81	K82	K83	K84	K85	K86
F3	E3	K87	K88	K89	K90	K91	K92	K93	K94	K95	K96
		K97	K98	K99	K100	K101	K102	K103	K104	K105	K106
		K107	K108	K109	K110	K111	K112	K113	K114	K115	K116
		K117	K118	K119	K120	K121	K122	K123	K124	K125	K126
		K127	K128	K129	K130	K131	K132	K133	K134	K135	K136
		K137	K138	K139	K140	K141	K142	K143	K144	K145	K146
		K147	K148	K149	K150	K151	K152	K153	K154	K155	K156
		K157	K158	K159	K160	K161	K162	K163	K164	K165	K166
		K167	K168	K169	K170	K171	K172	K173	K174	K175	K176
		K177	K178	K179	K180	K181	K182	K183	K184	K185	K186
		K187	K188	K189	K190	K191	K192	K193	K194	K195	K196
		K197	K198	K199	K200	K201	K202	K203	K204	K205	K206
		K207	K208	K209	K210	K211	K212	K213	K214	K215	K216
		K217	K218	K219	K220	K221	K222	K223	K224	K225	K226
		K227	K228	K229	K230	K231	K232	K233	K234	K235	K236
		K237	K238	K239	K240	K241	K242	K243	K244	K245	K246
		K247	K248	K249	K250	K251	K252	K253	K254	K255	K256
		K257	K258	K259	K260	K261	K262	K263	K264	K265	K266
		K267	K268	K269	K270	K271	K272	K273	K274	K275	K276
		K277	K278	K279	K280	K281	K282	K283	K284	K285	K286
		K287	K288	K289	K290	K291	K292	K293	K294	K295	K296
		K297	K298	K299	K300	K301	K302	K303	K304	K305	K306
		K307	K308	K309	K310	K311	K312	K313	K314	K315	K316
		K317	K318	K319	K320	K321	K322	K323	K324	K325	K326
		K327	K328	K329	K330	K331	K332	K333	K334	K335	K336
		K337	K338	K339	K340	K341	K342	K343	K344	K345	K346
		K347	K348	K349	K350	K351	K352	K353	K354	K355	K356
		K357	K358	K359	K360	K361	K362	K363	K364	K365	K366
		K367	K368	K369	K370	K371	K372	K373	K374	K375	K376
		K377	K378	K379	K380	K381	K382	K383	K384	K385	K386
		K387	K388	K389	K390	K391	K392	K393	K394	K395	K396
		K397	K398	K399	K400	K401	K402	K403	K404	K405	K406
		K407	K408	K409	K410	K411	K412	K413	K414	K415	K416
		K417	K418	K419	K420	K421	K422	K423	K424	K425	K426
		K427	K428	K429	K430	K431	K432	K433	K434	K435	K436
		K437	K438	K439	K440	K441	K442	K443	K444	K445	K446
		K447	K448	K449	K450	K451	K452	K453	K454	K455	K456
		K457	K458	K459	K460	K461	K462	K463	K464	K465	K466
		K467	K468	K469	K470	K471	K472	K473	K474	K475	K476
		K477	K478	K479	K480	K481	K482	K483	K484	K485	K486
		K487	K488	K489	K490	K491	K492	K493	K494	K495	K496
		K497	K498	K499	K500	K501	K502	K503	K504	K505	K506
		K507	K508	K509	K510	K511	K512	K513	K514	K515	K516
		K517	K518	K519	K520	K521	K522	K523	K524	K525	K526
		K527	K528	K529	K530	K531	K532	K533	K534	K535	K536
		K537	K538	K539	K540	K541	K542	K543	K544	K545	K546
		K547	K548	K549	K550	K551	K552	K553	K554	K555	K556
		K557	K558	K559	K560	K561	K562	K563	K564	K565	K566
		K567	K568	K569	K570	K571	K572	K573	K574	K575	K576
		K577	K578	K579	K580	K581	K582	K583	K584	K585	K586
		K587	K588	K589	K590	K591	K592	K593	K594	K595	K596
		K597	K598	K599	K600	K601	K602	K603	K604	K605	K606
		K607	K608	K609	K610	K611	K612	K613	K614	K615	K616
		K617	K618	K619	K620	K621	K622	K623	K624	K625	K626
		K627	K628	K629	K630	K631	K632	K633	K634	K635	K636
		K637	K638	K639	K640	K641	K642	K643	K644	K645	K646
		K647	K648	K649	K650	K651	K652	K653	K654	K655	K656
		K657	K658	K659	K660	K661	K662	K663	K664	K665	K666
		K667	K668	K669	K670	K671	K672	K673	K674	K675	K676
		K677	K678	K679	K680	K681	K682	K683	K684	K685	K686
		K687	K688	K689	K690	K691	K692	K693	K694	K695	K696
		K697	K698	K699	K700	K701	K702	K703	K704	K705	K706
		K707	K708	K709	K710	K711	K712	K713	K714	K715	K716
		K717	K718	K719	K720	K721	K722	K723	K724	K725	K726
		K727	K728	K729	K730	K731	K732	K733	K734	K735	K736
		K737	K738	K739	K740	K741	K742	K743	K744	K745	K746
		K747	K748	K749	K750	K751	K752	K753	K754	K755	K756
		K757	K758	K759	K760	K761	K762	K763	K764	K765	K766
		K767	K768	K769	K770	K771	K772	K773	K774	K775	K776
		K777	K778	K779	K780	K781	K782	K783	K784	K785	K786
		K787	K788	K789	K790	K791	K792	K793	K794	K795	K796
		K797	K798	K799	K800	K801	K802	K803	K804	K805	K806
		K807	K808	K809	K810	K811	K812	K813	K814	K815	K816
		K817	K818	K819	K820	K821	K822	K823	K824	K825	K826
		K827	K828	K829	K830	K831	K832	K833	K834	K835	K836
		K837	K838	K839	K840	K841	K842	K843	K844	K845	K846
		K847	K848	K849	K850	K851	K852	K853	K854	K855	K856
		K857	K858	K859	K860	K861	K862	K863	K864	K865	K866
		K867	K868	K869	K870	K871	K872	K873	K874	K875	K876
		K877	K878	K879	K880	K881	K882	K883	K884	K885	K886
		K887	K888	K889	K890	K891	K892	K893	K894	K895	K896
		K897	K898	K899	K900	K901	K902	K903	K904	K905	K906
		K907	K908	K909	K910	K911	K912	K913	K914	K915	K916
		K917	K918	K919	K920	K921	K922	K923	K924	K925	K926
		K927	K928	K929	K930	K931	K932	K933	K934	K935	K936
		K937	K938	K939	K940	K941	K942	K943	K944	K945	K946
		K947	K948	K949	K950	K951	K952	K953	K954	K955	K956
		K957	K958	K959	K960	K961	K962	K963	K964	K965	K966
		K967	K968	K969	K970	K971	K972	K973	K974	K975	K976
		K977	K978	K979	K980	K981	K982	K983	K984	K985	K986
		K987	K988	K989	K990	K991	K992	K993	K994	K995	K996
		K997	K998	K999	K1000	K1001	K1002	K1003	K1004	K1005	K1006

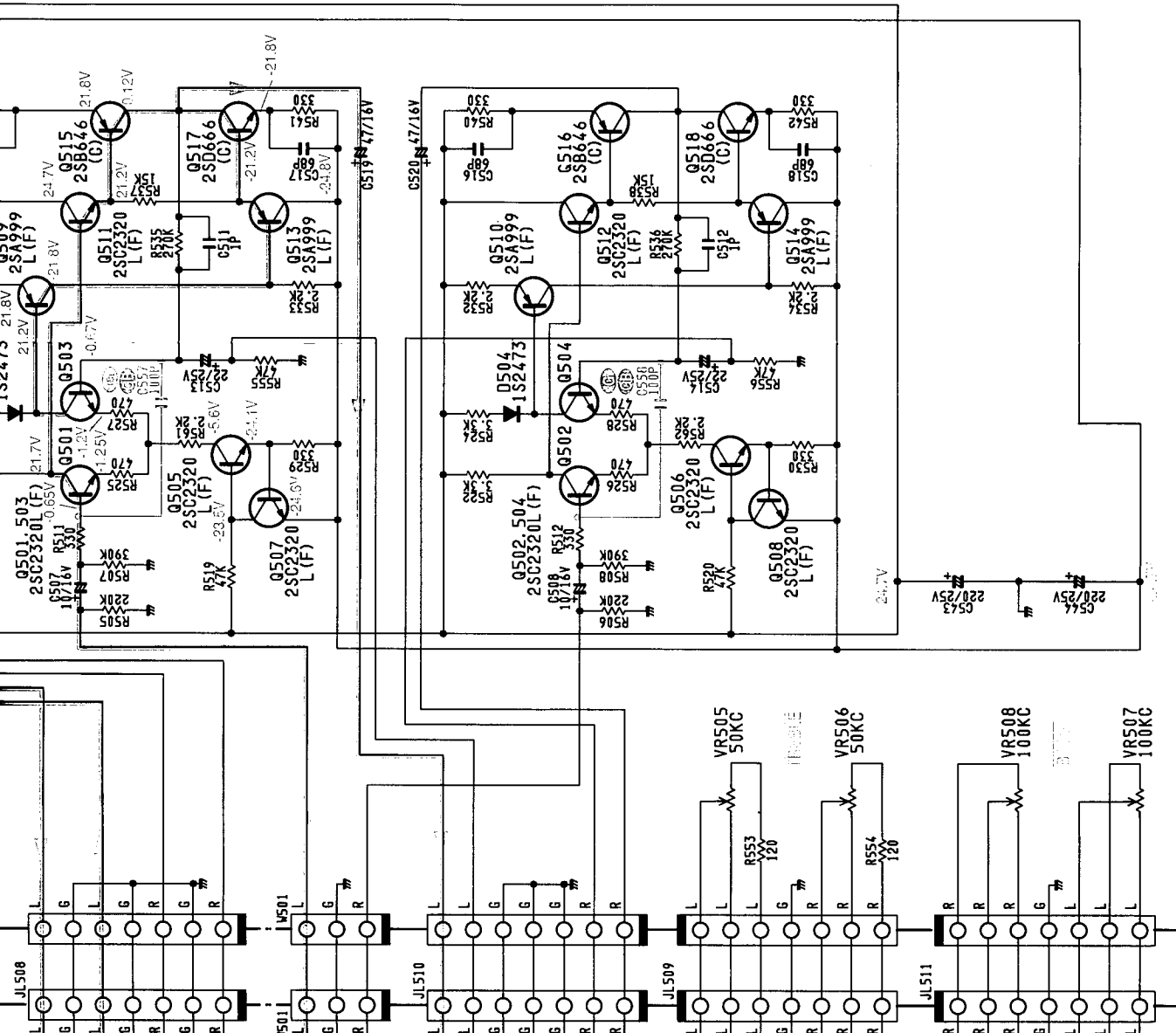
INFRARED REMOTE CONTROL SCHEMATIC DIAGRAM



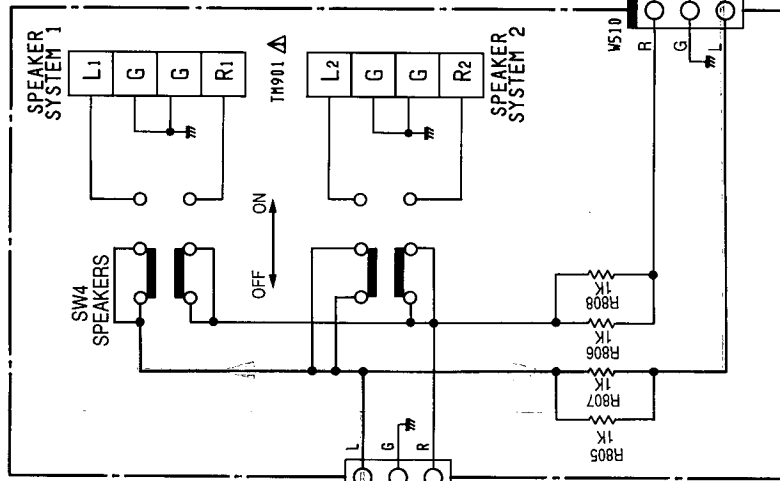


NO.	FUNCTION	NO.	FUNCTION
K1	AMP POWER	K30	CD STOP
K2		K31	CD PLAY
K3		K32	CD PAUSE
K4		K33	CD SKIP ►►
K5		K34	CD ◀◀ SKIP
K6		K35	CD SEARCH ►►
K7		K36	CD ◀◀ SEARCH
K8	AMP VOLUME ▲	K37	CD REPEAT
K9	AMP ▼ VOLUME	K38	
K10		K39	
K11		K40	
K12		K41	
K13		K42	
K14		K43	
K15	TUNER FM	K44	
K16	TUNER AM	K45	
K17	TUNER TUNING ▲	K46	
K18	TUNER ▼ TUNING	K47	
K19	TUNER 1	K48	
K20	TUNER 2	K49	CASSETTE PLAY
K21	TUNER 3	K50	CASSETTE REV. PLAY
K22	TUNER 4	K51	CASSETTE STOP
K23	TUNER 5	K52	CASSETTE F. FWD
K24	TUNER 6	K53	CASSETTE REW
K25	TUNER 7	K54	CASSETTE REC/PAUSE
K26	TUNER 8	K55	
K27	TUNER SHIFT	K56	CASSETTE SKIP ►►
K28	TUNER SEEK	K57	CASSETTE ◀◀ SKIP
K29			

NOTE : Infrared Remote Control parts are not available.
Schematic diagram is supplied for reference only.



PCB-4
SPEAKER P. C. BOARD

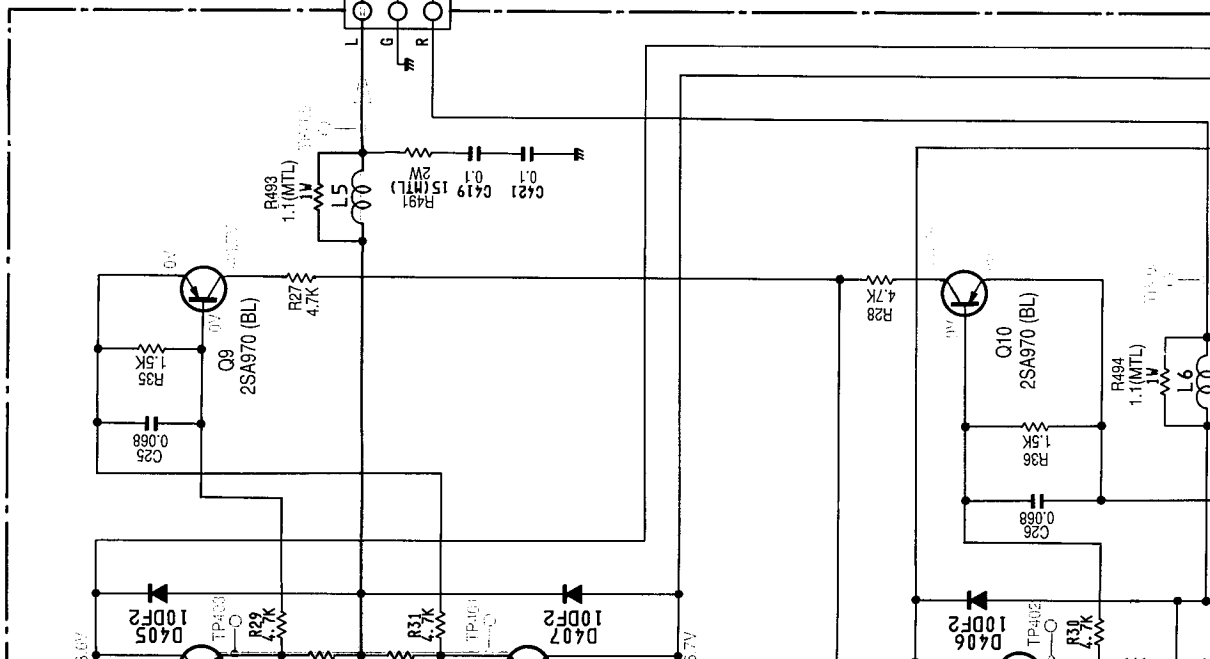
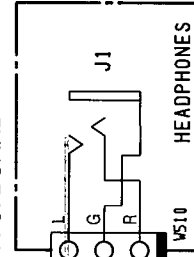


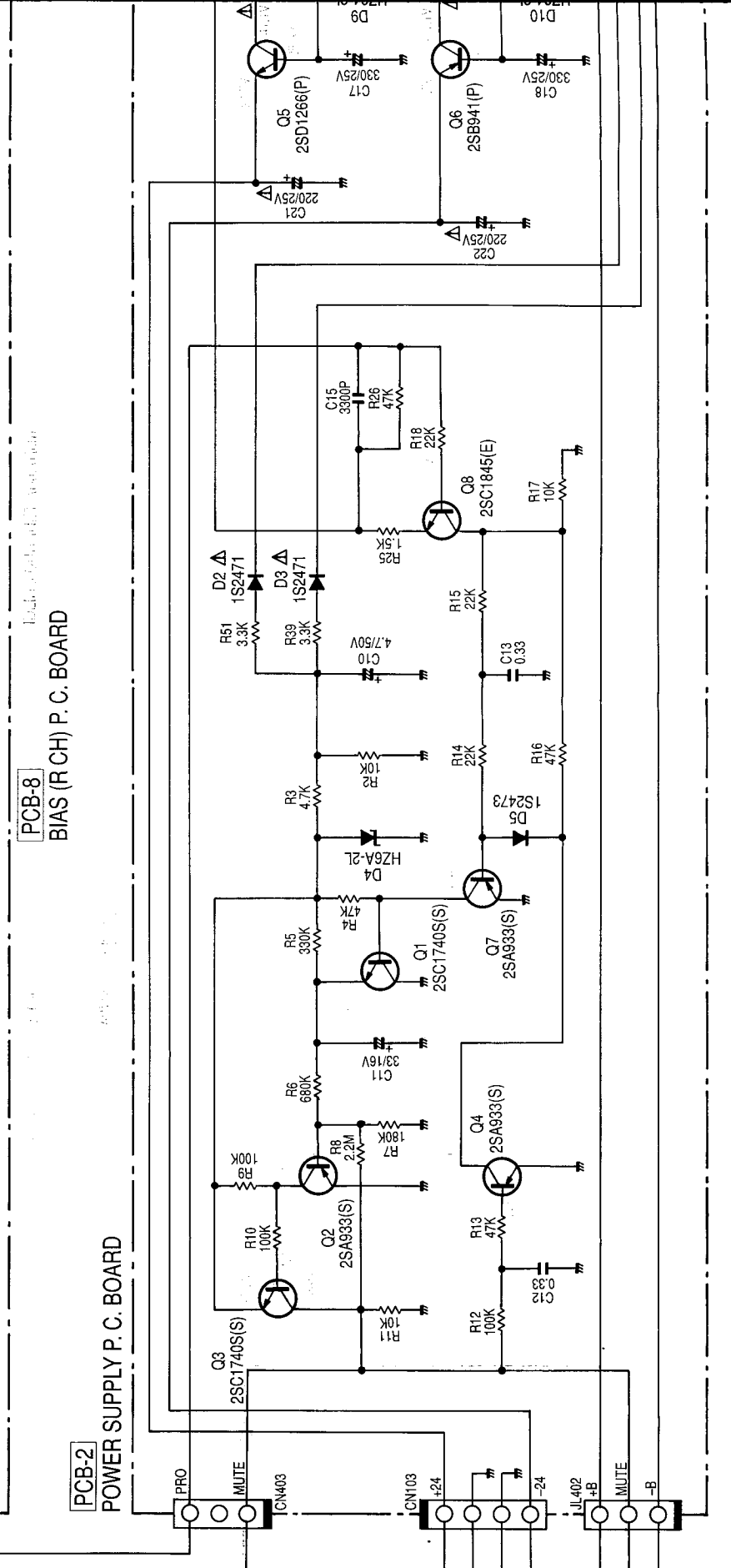
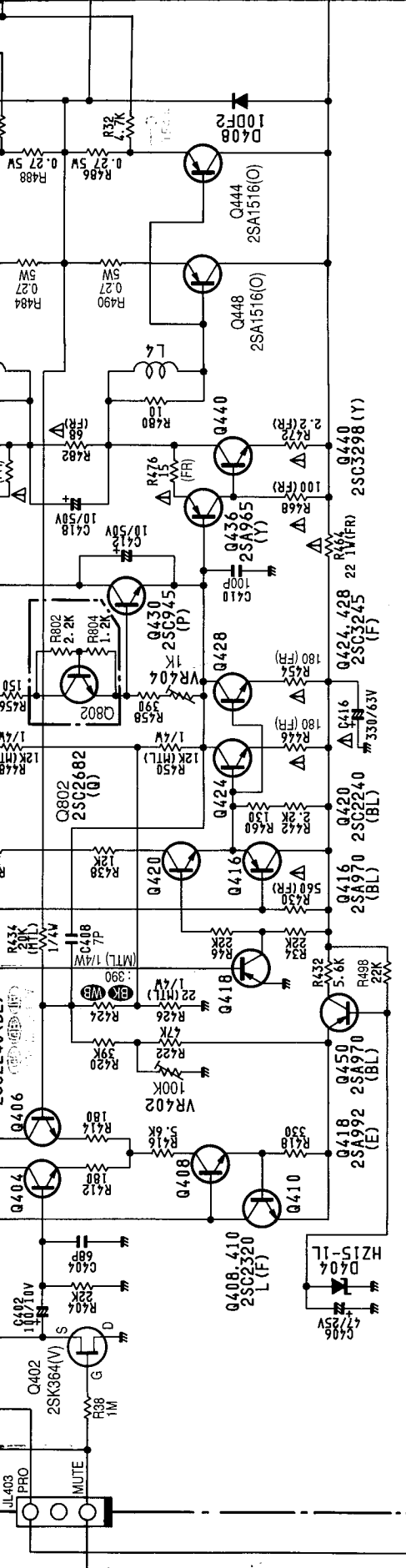
NOTE:

1. ALL RESISTANCES VALUES ARE IN Ω .
2. THE WATTAGE OF RESISTORS IS 1/2W UNLESS OTHERWISE NOTED.
3. ALL CAPACITANCES VALUES ARE IN μ F UNLESS OTHERWISE NOTED. P= μ F.
4. ... V:DC VOLTAGE AT NO SIGNAL UNLESS OTHERWISE NOTED.
5. SAFETY REQUIREMENTS COMPONENTS IN ACCORDANCE WITH PRESENT SAFETY REGULATIONS, THESE COMPONENTS MUST ONLY BE REPLACED BY ORIGINAL PARTS.



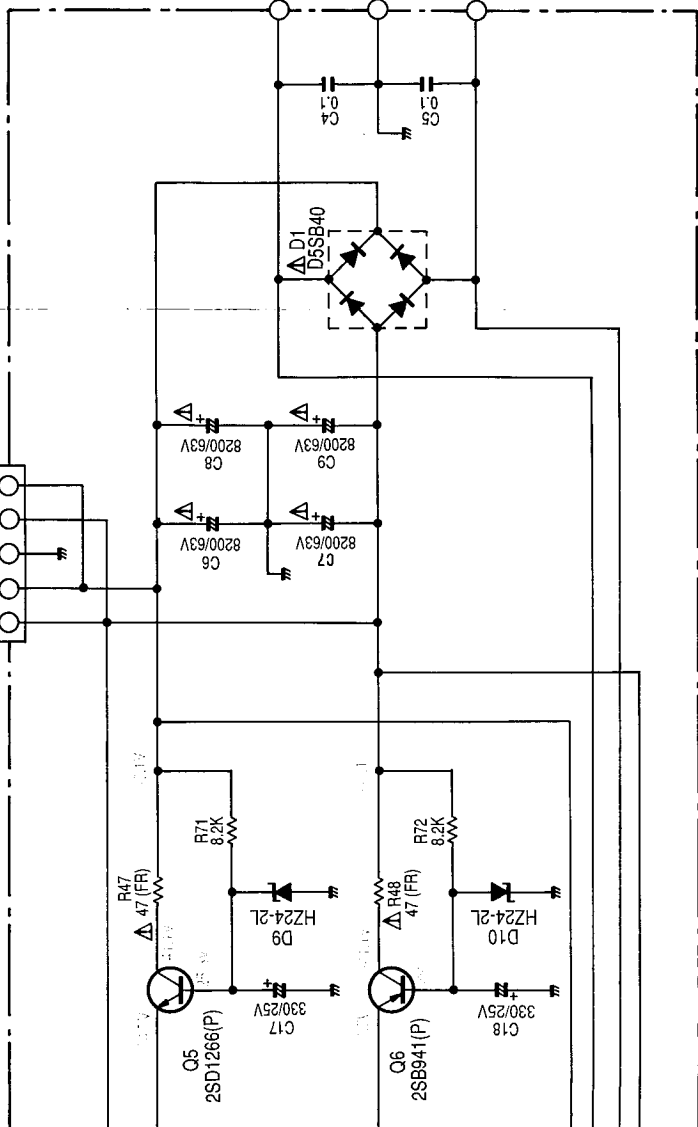
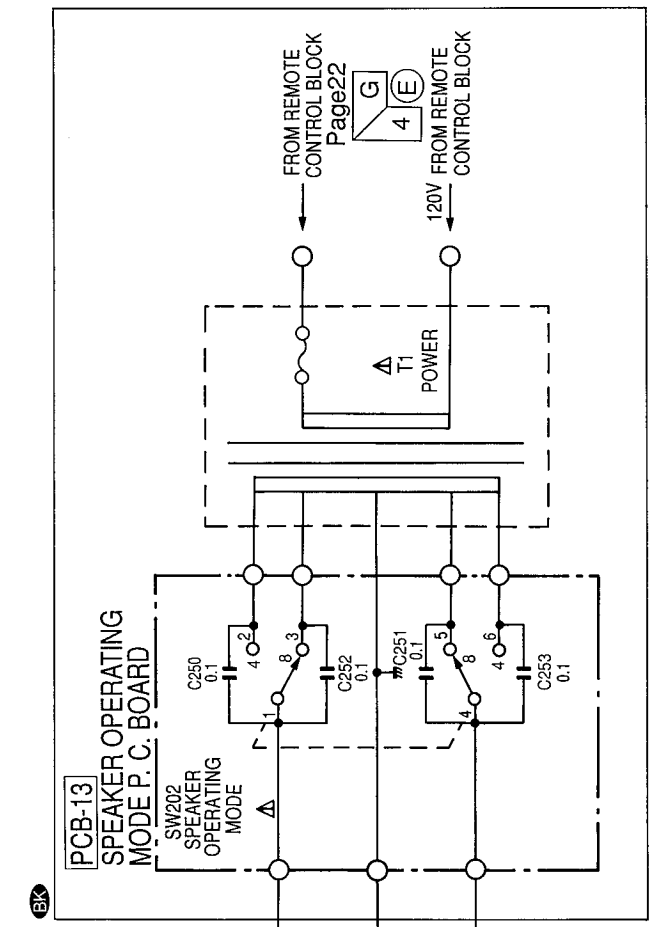
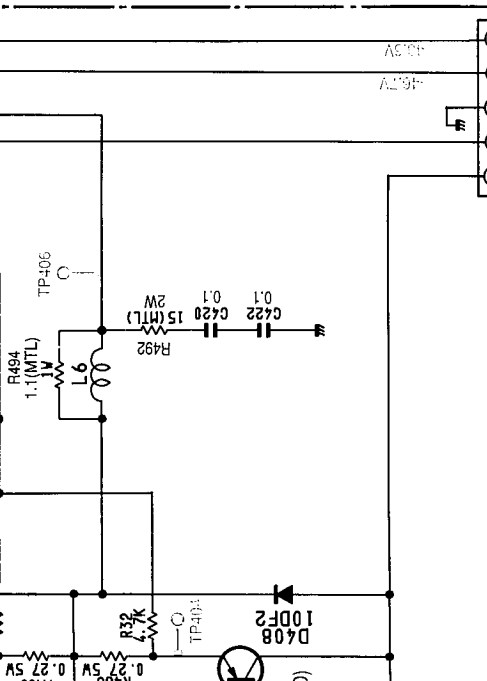
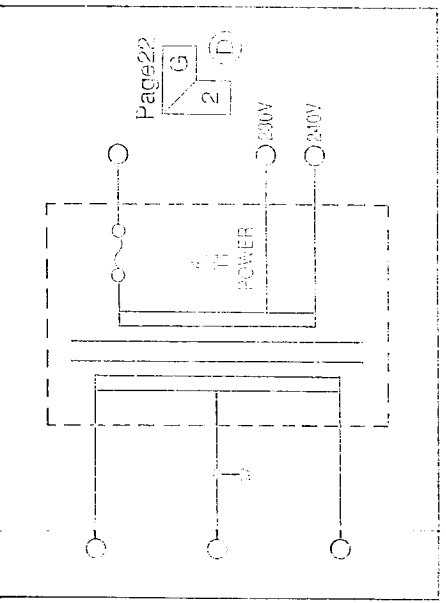
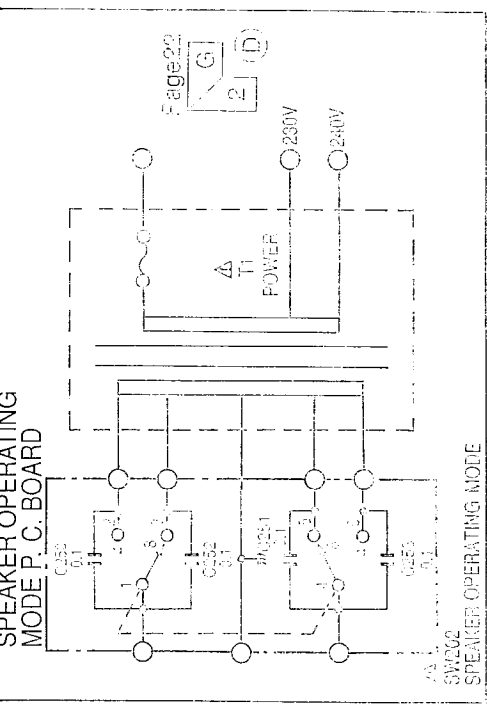
PCB-12
HEADPHONES
P. C. BOARD



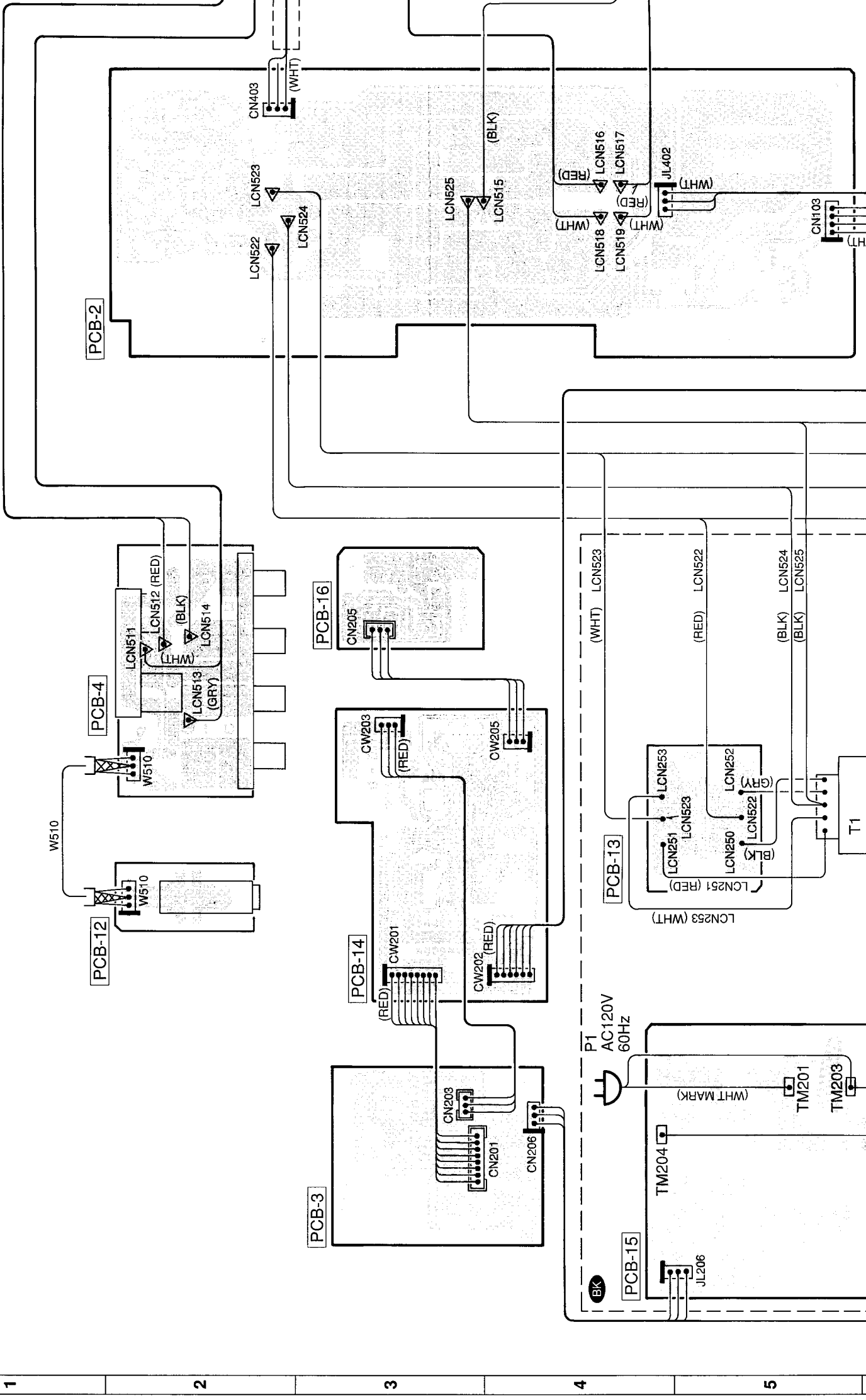


TO PCB-5
Page23
M 3 G

TO PCB-10
CN402
(PHONO AMP BLOCK)
Page23
B 2 1



WIRING DIAGRAM



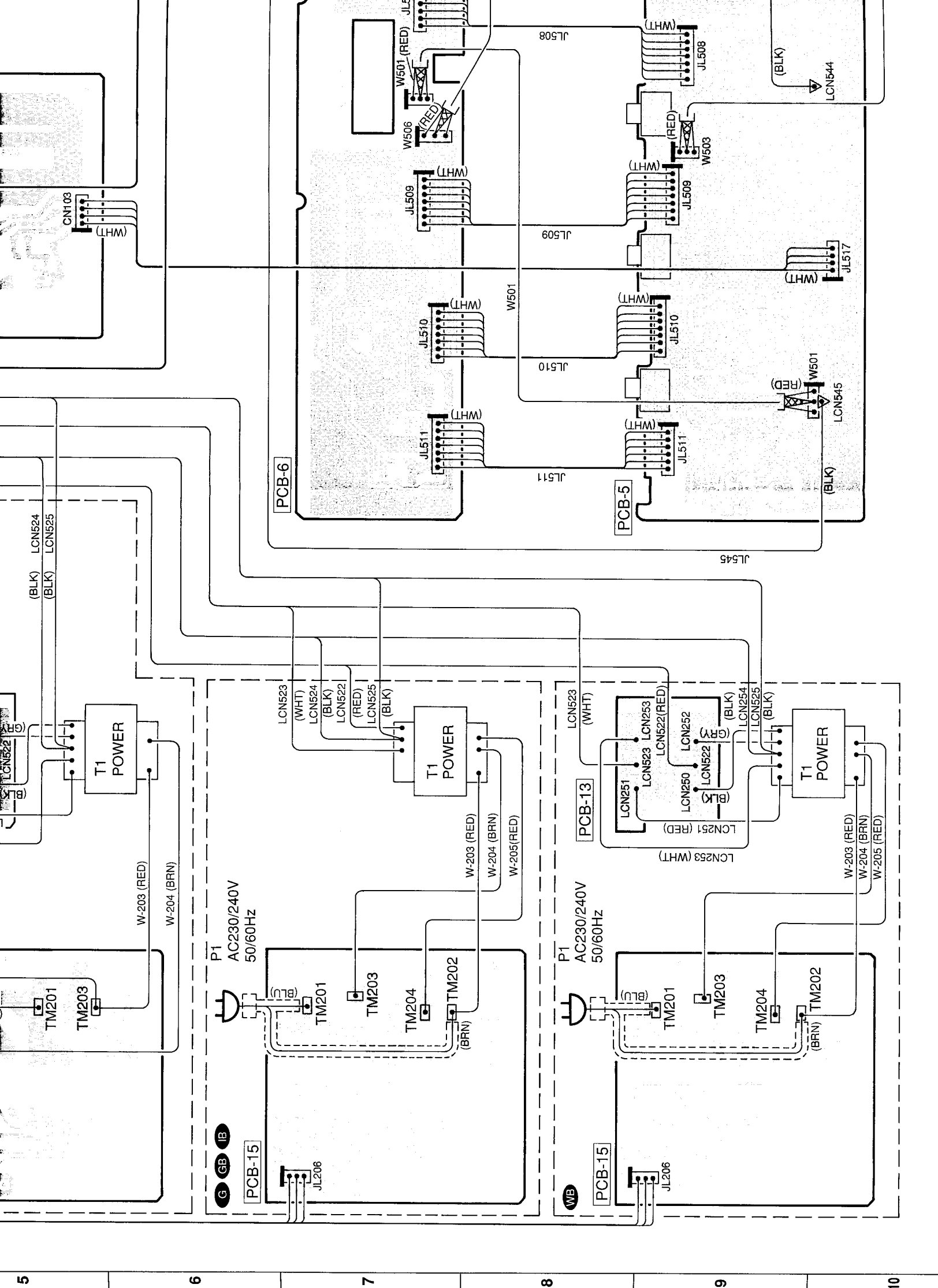
1

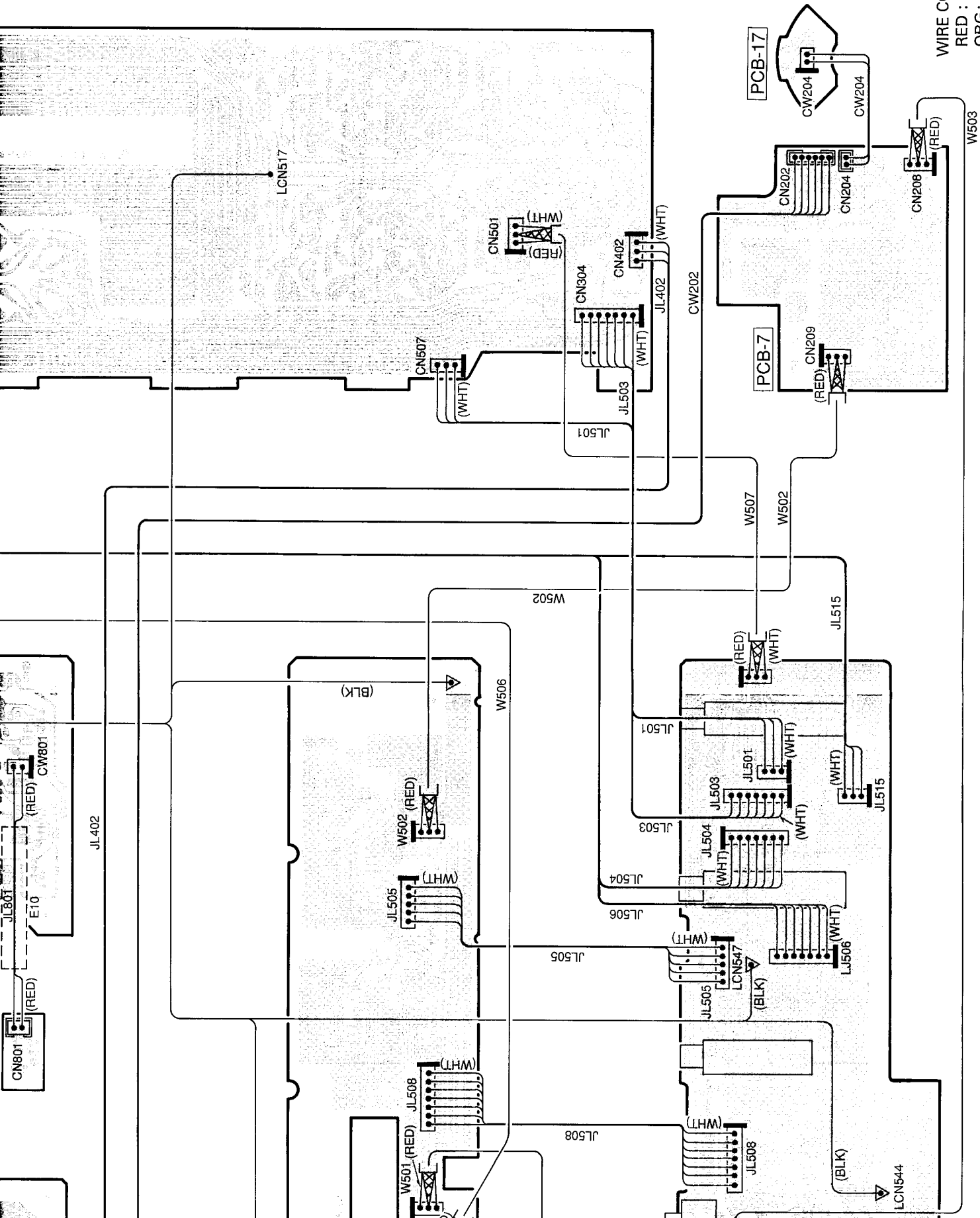
2

3

4

5





WIRE COLOR ABBREVIATIONS
 RED : Red
 YEL : Yellow
 ORG : Orange
 PUP : Purple
 BLU : Blue
 PIK : Pink
 WHT: White
 BRN : Brown
 BLK : Black