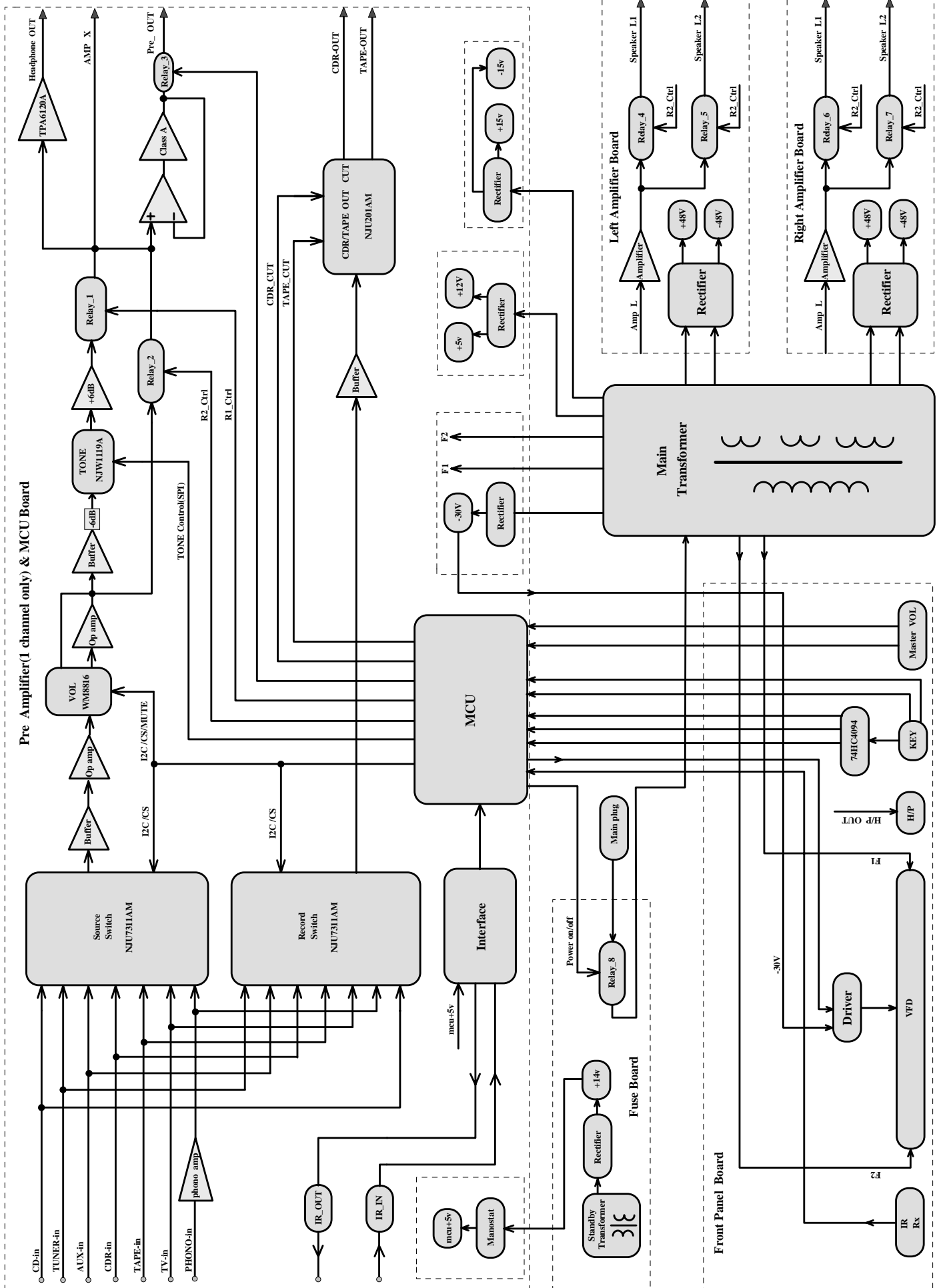
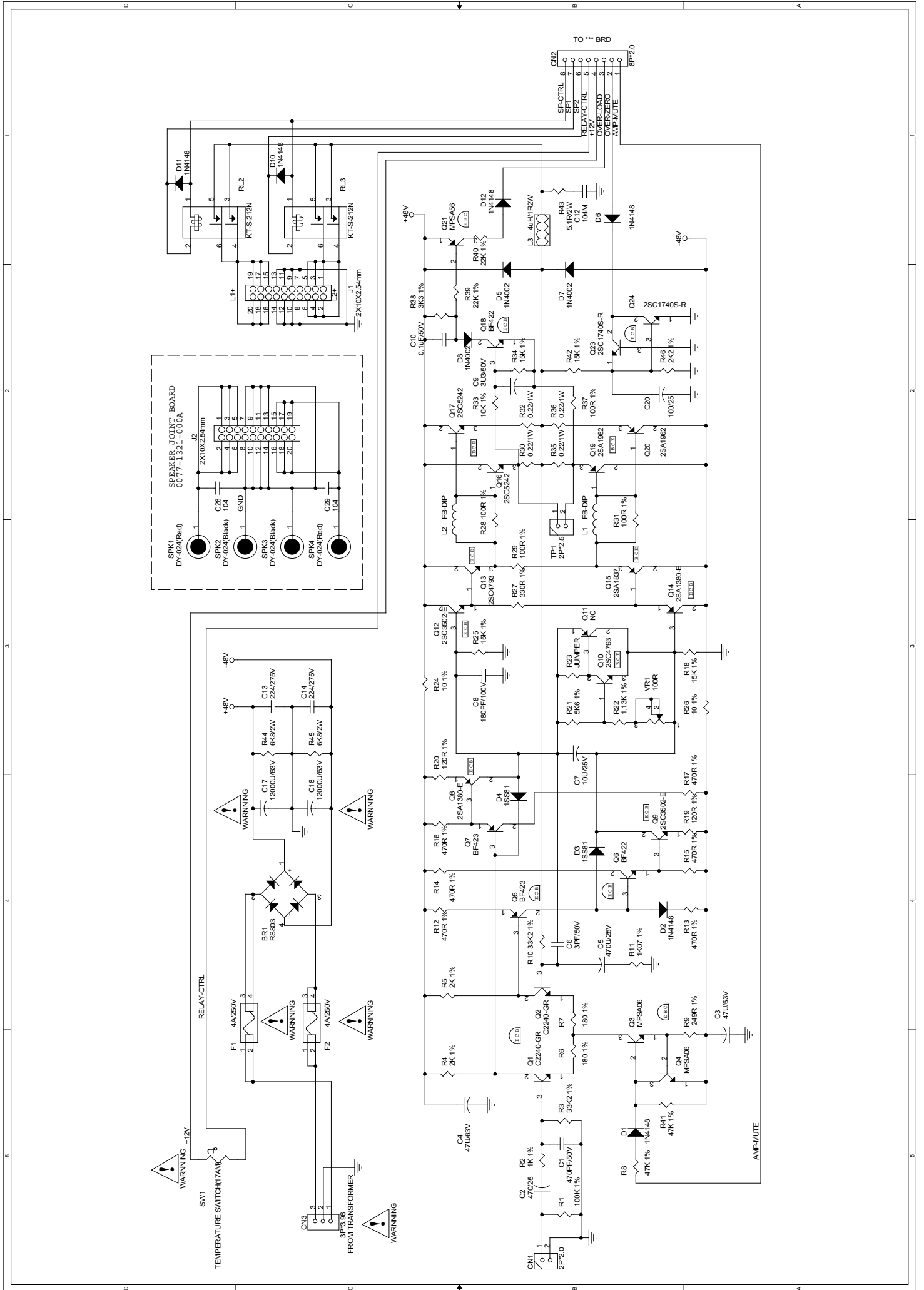
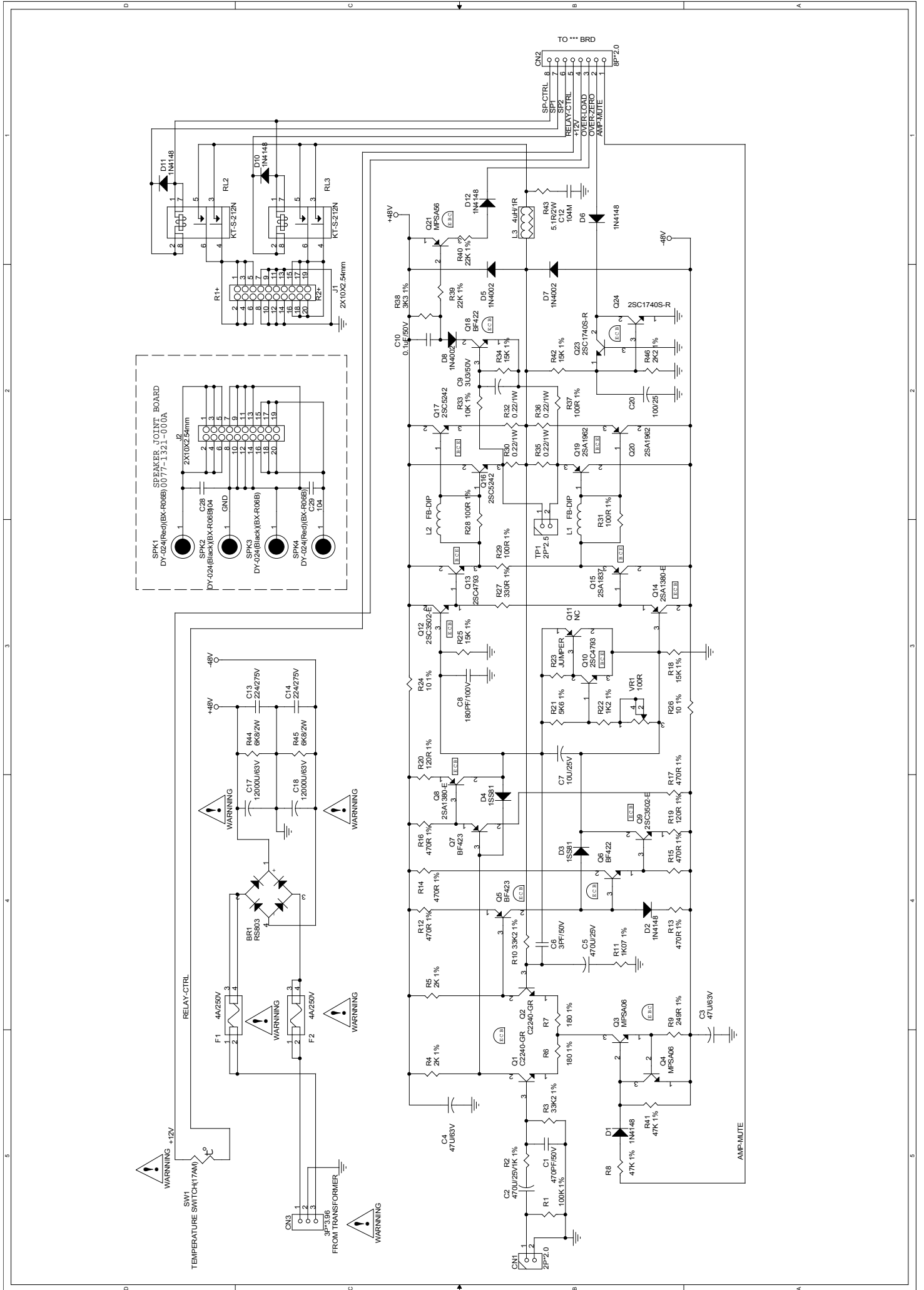


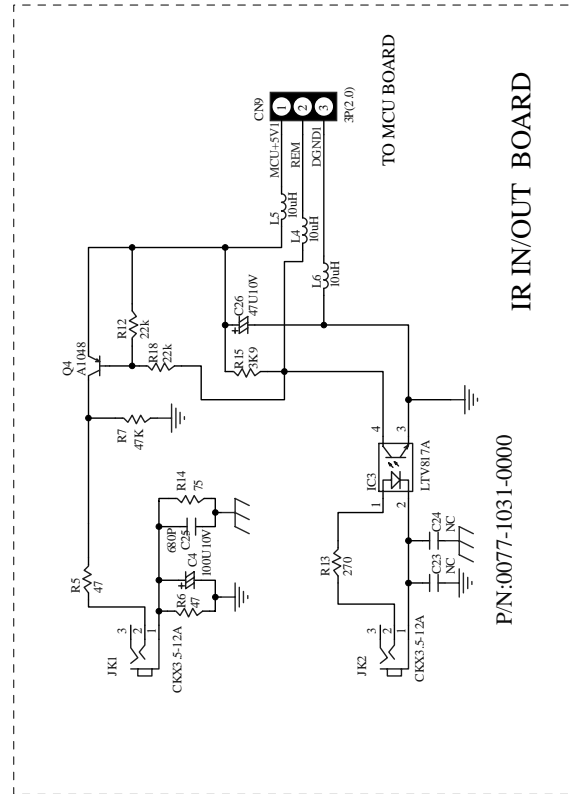
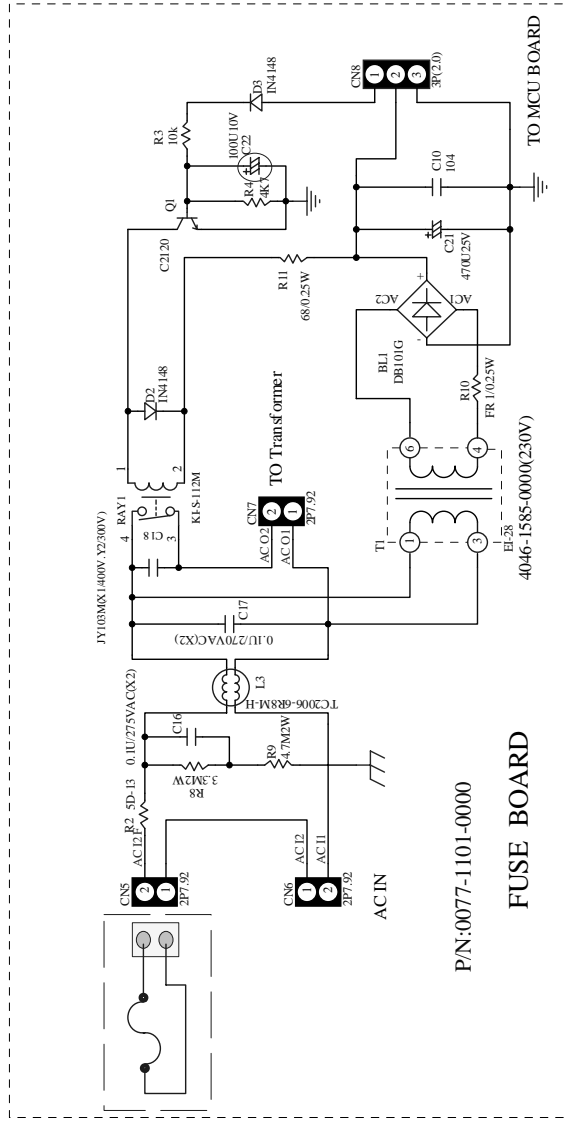
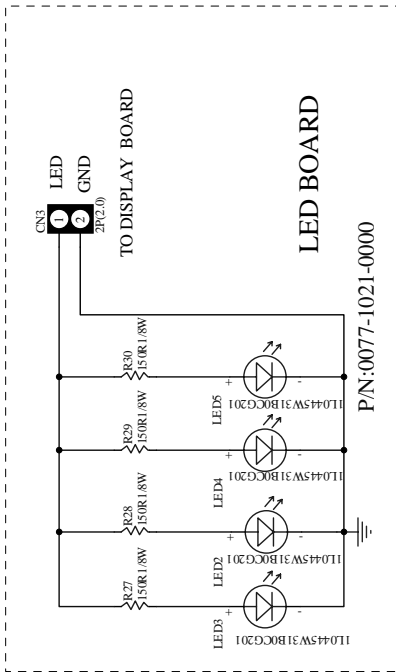
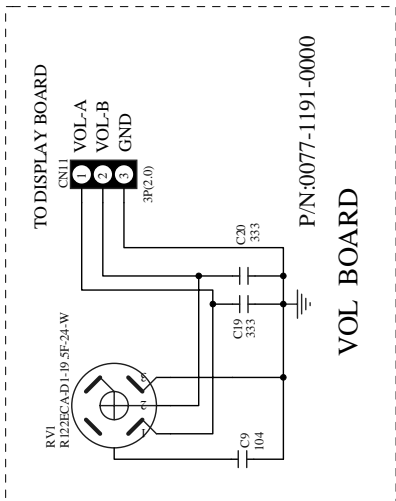
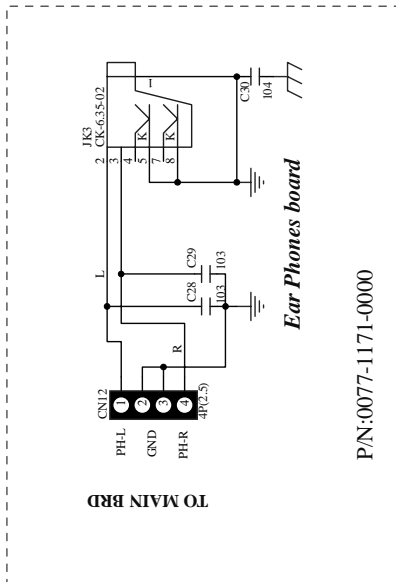
HK980x





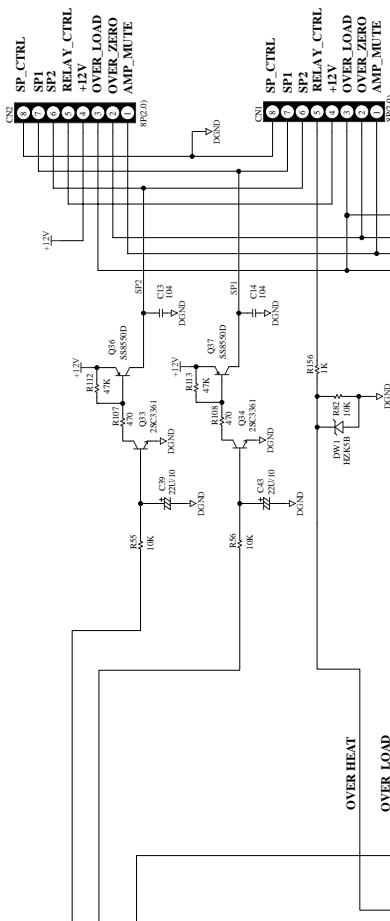




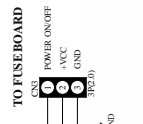


TO R-CH AMP

TO L-CH AMP

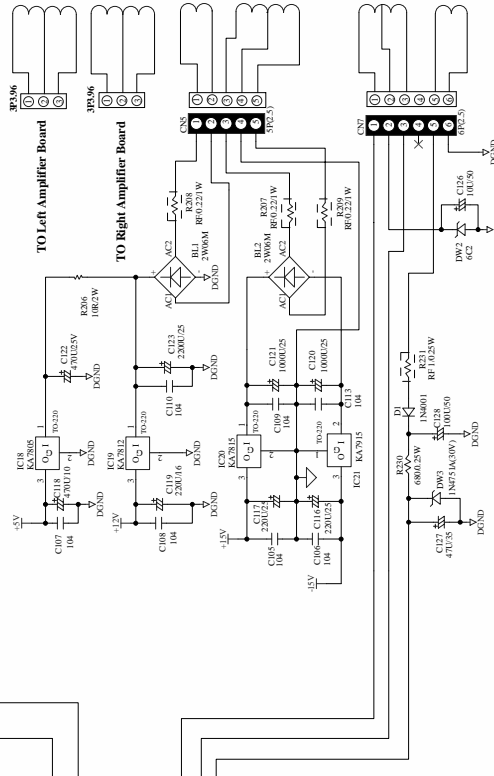


OVER HEAT  
OVER LOAD

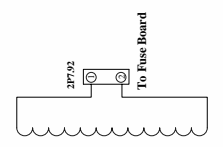


TO Left Amplifier Board

TO Right Amplifier Board

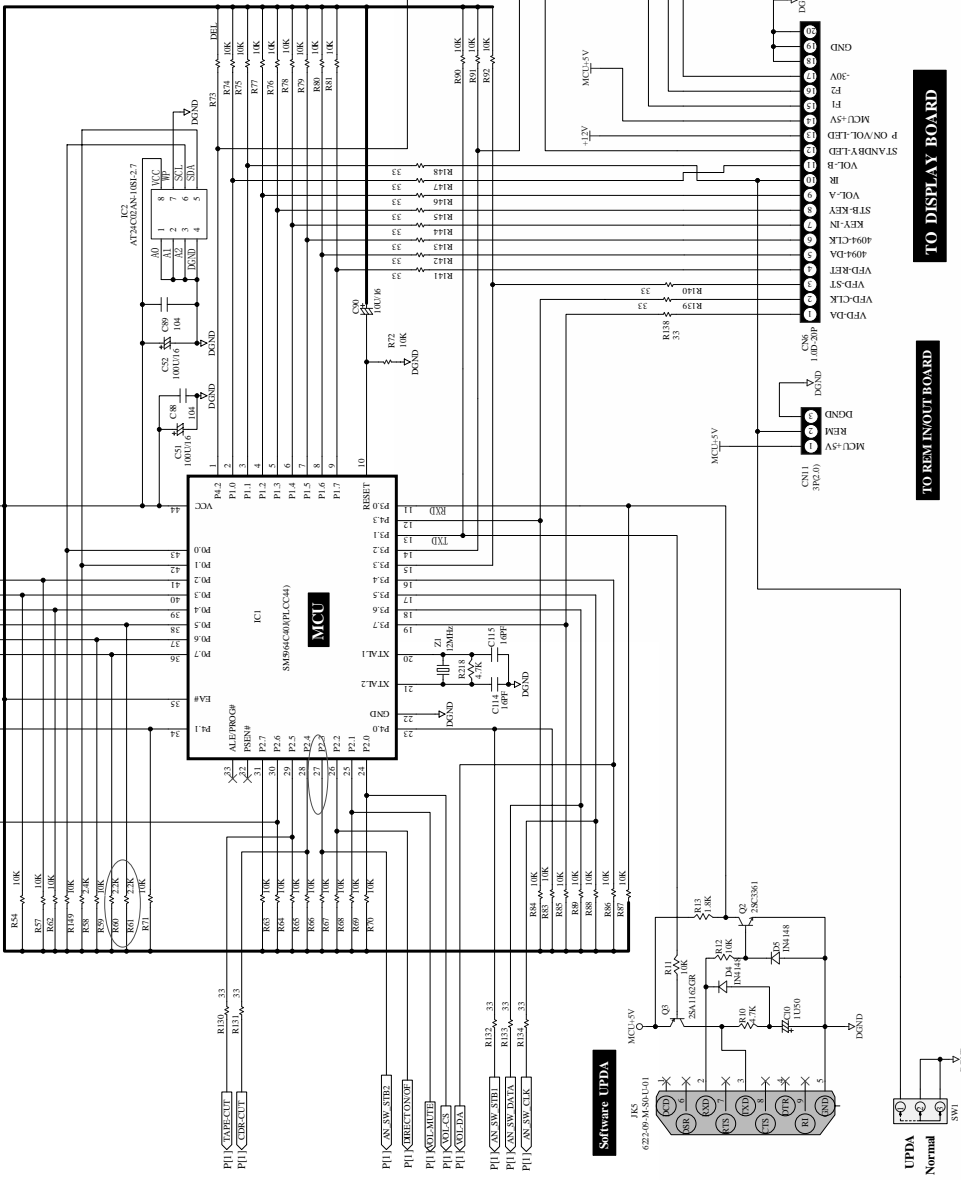


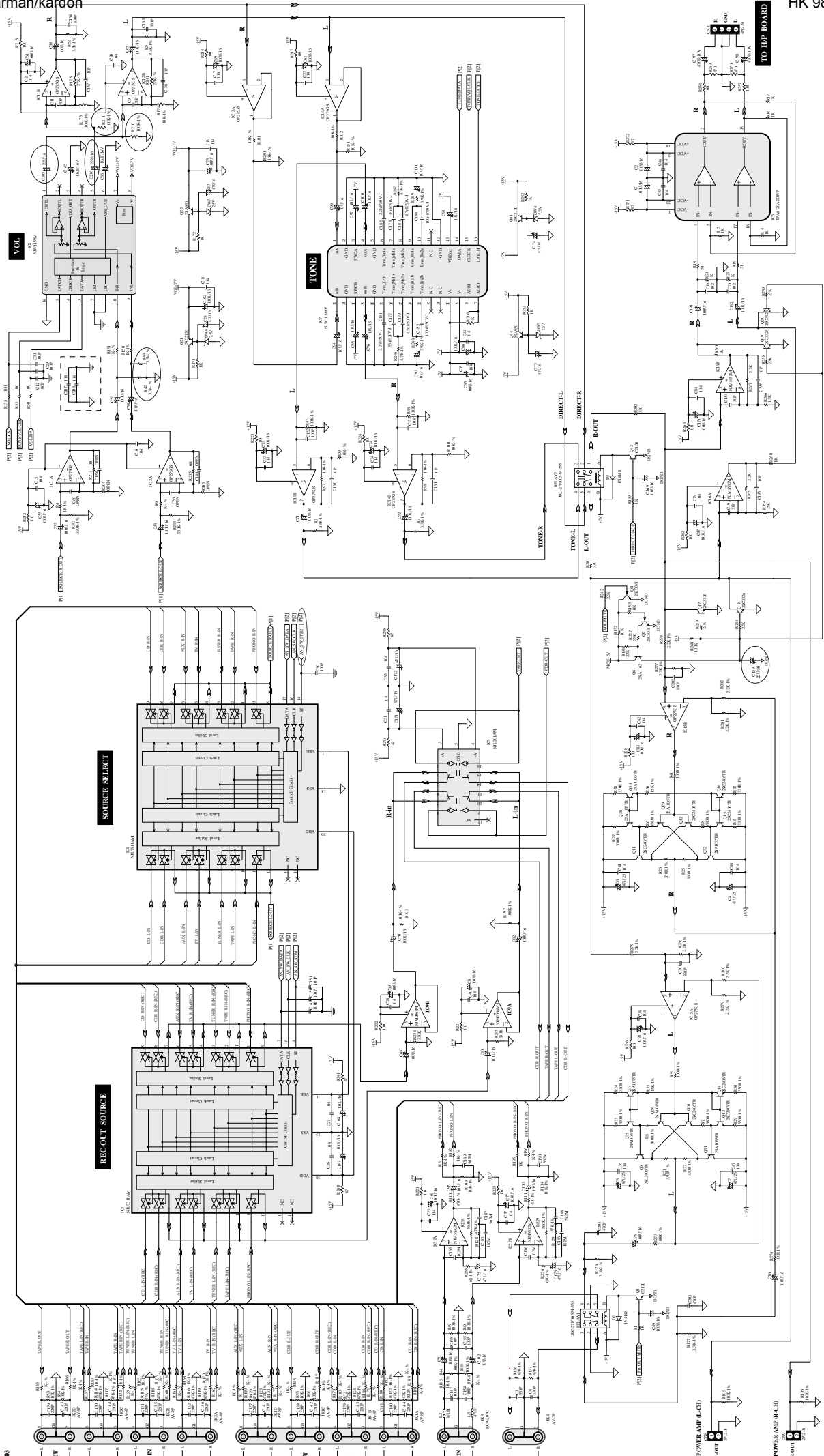
Main Transformer



TO DISPLAY BOARD

TO REMAINING BOARD





MFSL-45