

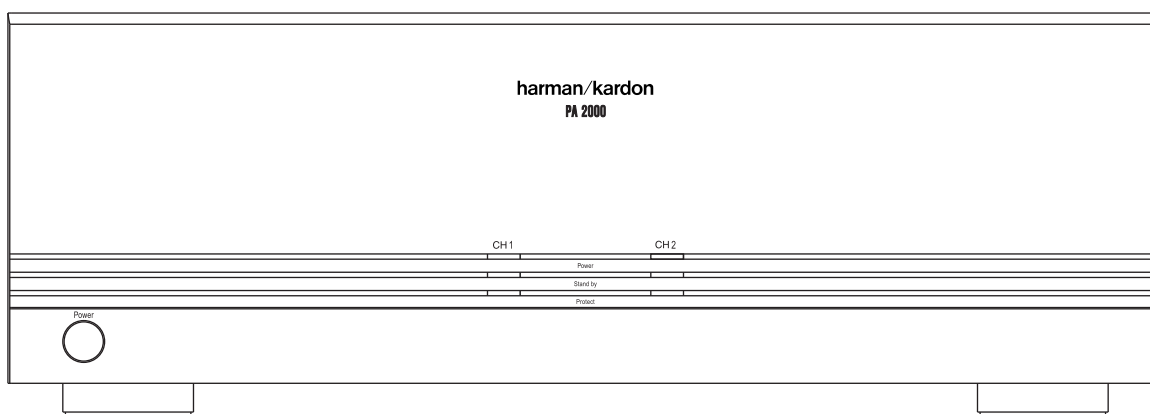
**The Harman Kardon**

**Model PA 2000 / PA 4000**

**Manual A**

**MULTICHANNEL AMPLIFIER**

# Technical Manual



## CONTENTS

TECHNICAL SPECIFICATIONS .....	03	PARTS LIST .....	18
ALIGNMENT PROCEDURES .....	05	IC BLOCK DIAGRAM .....	48
BLOCK DIAGRAM .....	06	PRINTED CIRCUIT BOARDS .....	61
DISASSEMBLY PROCEDURES .....	08	SCHEMATIC DIAGRAMS .....	67
EXPLODED VIEW .....	11	WIRING DIAGRAM .....	73
PRINCIPAL SCREW LOCATION .....	13	PACKING MATERIAL .....	76

**harman/kardon**

Parts and Service Office  
80 Crossways Park West, Woodbury, N.Y. 11797  
Printed in Korea

**TECHNICAL SPECIFICATIONS**

**Power Output**

Standard Operation...8 × 45 watts @ 8 ohms, 20 Hz ~ 20 kHz, < 0.07% THD, all channels driven  
Bridged Mode 1.....2 × 100 watts plus 4 × 45 watts @ 8 ohms, 20 Hz ~ 20 kHz, < 0.07% THD,  
all channels driven  
Bridged Mode 2.....4 × 100 watts @ 8 ohms, 20 Hz ~ 20 kHz, < 0.07% THD, all channels driven

**High-Current Capability**..... ± 45 amps

**Frequency Response**.....< 1 Hz ~ 200 kHz, ± 3 dB at 1 watt

**Signal-to-Noise Ratio**.....110 dB at rated power 45 watts

**THD/IMD**.....Less than 0.07% at rated output

**Power Bandwidth**.....<1 Hz ~ 100 kHz

**Input Impedance**.....47K ohms

**Input Sensitivity**.....1 volt for rated output

**Remote Trigger Voltage**.....3 ~ 30 volts AC/DC

**Remote Trigger Impedance**.....20K ohms

**Keypad IR Sensor DC Supply**.....12 V, 10 mA

**Dimensions (H × W × D)**.....7 ~ 5/16" × 17 ~ 3/8" × 18 ~ 5/16"  
185mm × 442mm × 465mm

**Weight**.....47 lb / 21.4 kg

**Power Requirements**.....120 VAC, 50 Hz / 60 Hz  
600 watts, maximum

## 2. Alignment Procedure

### 1. Test Equipment Required

-DC Voltmeter

Note: Disconnect external Audio Generator prior to alignment.

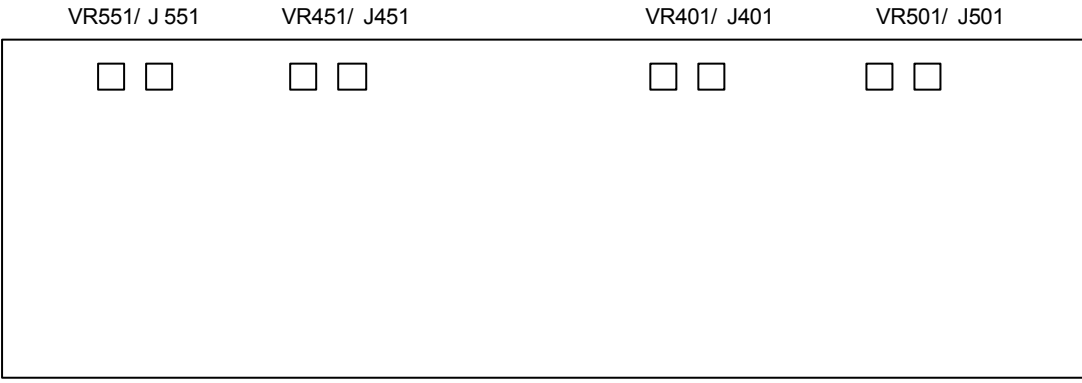
### 2. Preparation

1. Confirm the AC Power Voltage.
2. Cool the Amplifier enough prior to alignment.
3. Disconnect external Audio Generator and Road Registers.
4. 'POWER CONTROL MODE' Switches on rear Panel: 'ON/KEYPAD' position.
5. 'AMP MODE' Switches on rear Panel: 'NORMAL' position.

### 3. Adjustment and Test Points

1. Test Points: J401, J501, J451, J551
2. Adjustment Points: VR401, VR501, VR451, VR551

Note: These Points are on PCB 'A1A-566'



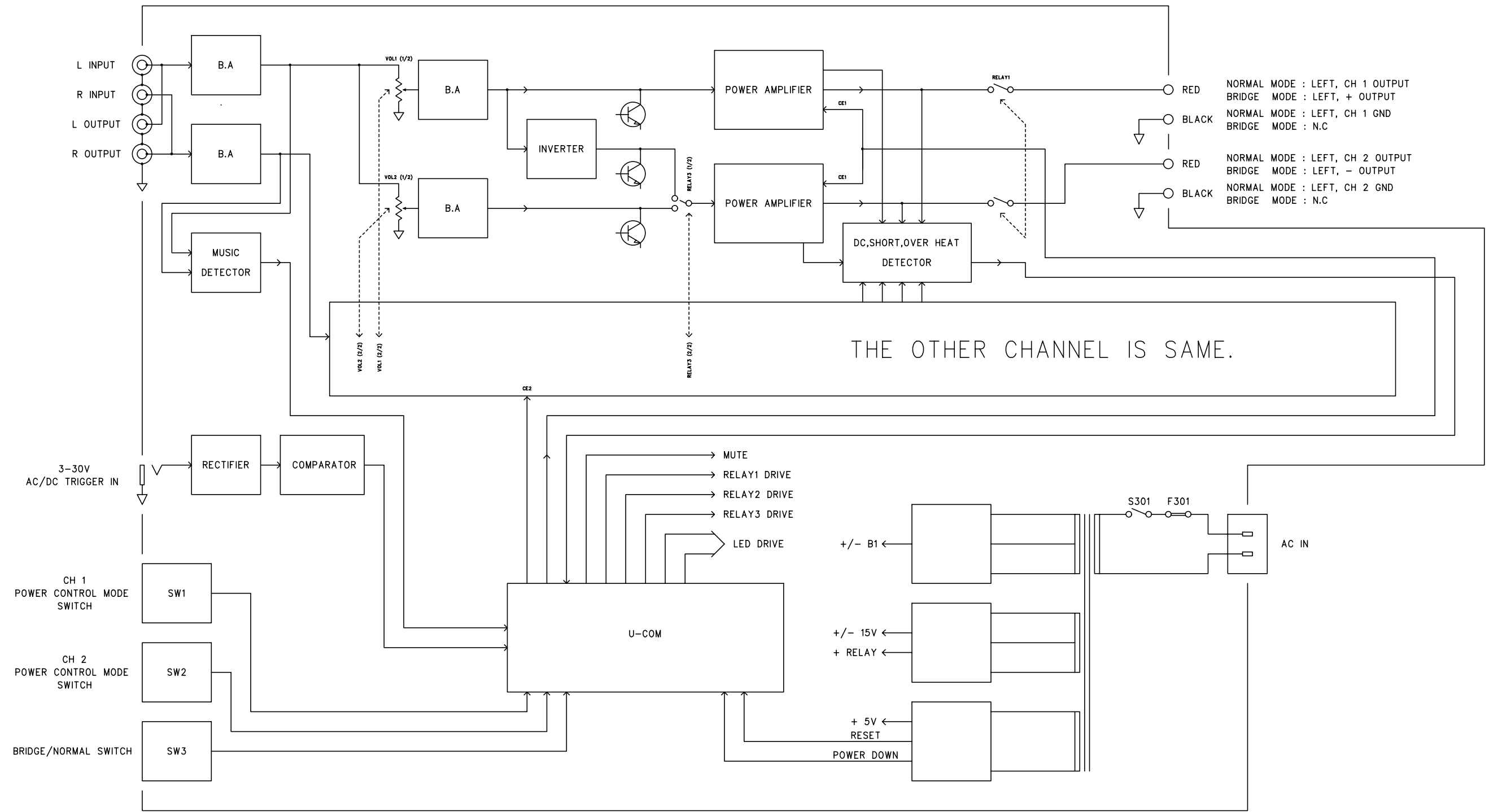
**A1A-566 PCB ASS' Y**

### 4. Alignment Table

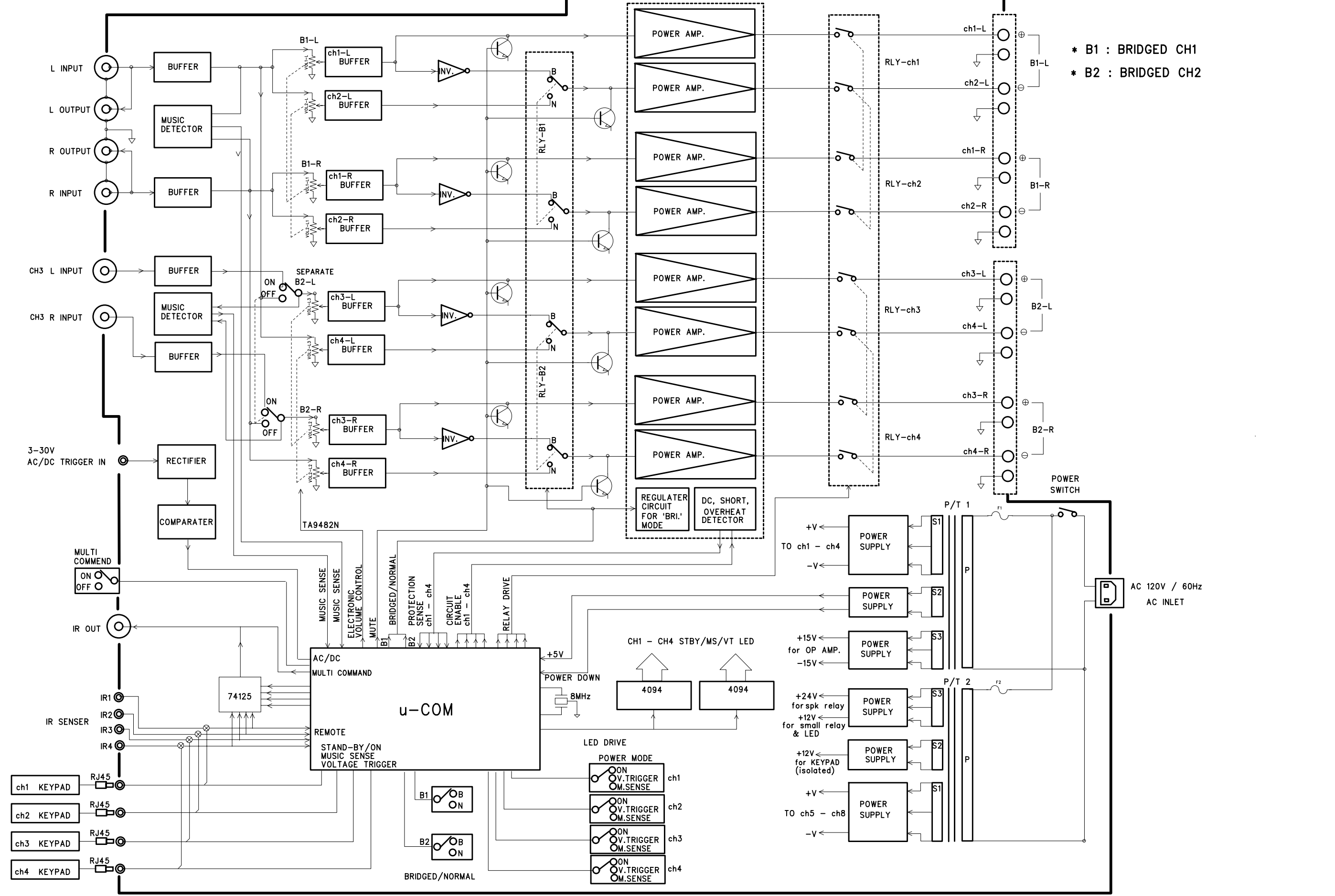
Step	Equipment	Test Point	Adjustment Point	Adjust for( mV)		
				Target	Nominal	Limit
1	DC Voltmeter	J401	VR401	26	23~30	22~32
2	DC Voltmeter	J501	VR501	26	23~30	22~32
3	DC Voltmeter	J451	VR451	26	23~30	22~32
4	DC Voltmeter	J551	VR551	26	23~30	22~32

Note: The Adjust for is after 1hour' s value of each test point.

### 3. BLOCK DIAGRAM



BLOCK DIAGRAM



\* B1 : BRIDGED CH1  
 \* B2 : BRIDGED CH2

## 4. DISASSEMBLY PROCEDURES

### EXPLODED-VIEW INSTRUCTION MANUAL

#### DISASSEMBLY PROCEDURES

##### <1> CHASSIS-TOP(20) REMOVAL.

REMOVE 9 SCREWS (A : 5EA, J : 4EA) AND REMOVE THE CHASSIS-TOP(20)

##### <2> FRONT PANEL ASS'Y(AA) REMOVAL.

1. REMOVE THE CHASSIS-TOP(20), REFERRING TO THE PREVIOUS STEP<1>
2. DISCONNECT THE CONNECTOR(CP 10, CARD-CABLE) ON THE FRONT P. C. BOARD(C) FROM CONNECTOR (CW 10) ON THE LED P. C. BOARD(a).
3. DISCONNECT THE CONNECTOR(CP15, 4P) ON THE POWER P. C. BOARD(b).
4. REMOVE 12 SCREWS(A:6EA, B:2EA, C:4EA) ON THE FRONT PANEL(1) AND THEN REMOVE THE FRONT PANEL ASS'Y(AA)

##### <3> CHASSIS-FRONT(7) REMOVAL

1. REMOVE THE CHASSIS-TOP(20), REFERRING TO THE PREVIOUS STEP<1>
2. REMOVE THE FRONT-PANEL ASS'Y(AA), REFERRING TO THE PREVIOUS STEP<2>
3. DISCONNECT THE CONNECTOR(CP11) ON THE FRONT P. C. BOARD(c) FROM CONNECTOR(CP3) ON THE MICOM P. C. BOARD(f).
4. DISCONNECT THE CONNECTOR(CP17) ON THE FRONT P. C. BOARD(c)
5. DISCONNECT THE CONNECTOR(CP18) ON THE FRONT P. C. BOARD(c), FROM LEAD WIRE(2P) ON THE POWER-TRANS(12)
6. DISCONNECT THE CONNECTOR(CP19) ON THE FRONT P. C. BOARD(c), FROM LEAD WIRE(2P) ON THE POWER-TRANS(12)
7. REMOVE 11 SCREWS(E) AND THEN REMOVE THE CHASSIS-FRONT(7)

##### <4> CHASSIS-SIDE(11) REMOVAL

1. REMOVE THE CHSSIS-TOP(20), REFERRING TO THE PREVIOUS STEP<1>
2. REMOVE THE FRONT-PANEL ASS'Y(AA), REFERRING TO THE PREVIOUS STEP<2>
3. REMOVE THE CHASSIS FORNT, REFERRING TO THE PREVIOUS STEP<3>
4. REMOVE 2 SCREWS(A) ON THE CHASSIS-BACK(18) AND THEN REMOVE THE CHASSIS-SIDE (11)

##### <5> CHASSIS-BACK(18) REMOVAL

1. REMOVE THE CHSSIS-TOP(20), REFERRING TO THE PREVIOUS STEP<1>
2. REMOVE THE FRONT-PANEL ASS'Y(AA), REFERRING TO THE PREVIOUS STEP<2>
3. REMOVE THE CHASSIS FORNT, REFERRING TO THE PREVIOUS STEP<3>
4. REMOVE THE CHASSIS-SIDE, REFERRING TO THE PREVIOUS STEP<4>
5. DISCONNECT THE CONNECTOR(CP2) FROM LEAD WIRE(CW2) ON THE INPUT P.C. BOARD(h)
6. DISCONNECT THE CONNECTOR(CP17) ON THR FRONT P. C. BOARD(C) FROM CONNECTOR(CP14) ON THE AC-INLET P. C. BOARD(g)
7. DISCONNECT THE CONNECTOR(CP18, CP19) ON THE FRONT P. C. BOARD(C) FROM CONNECTOR(CP14) ON THE AC-INLET P. C. BOARD(g)
8. DISCONNECT THE CONNECTOR(CP15) ON THE POWER P. C. BOARD(b) FROM CONNECTOR(CW17) ON THE AC-INLET P. C. BOARD(g)

## 9. REMOVE 35 SCREWS(A) ON THE CHASSIS-BACK(18)

## &lt;6&gt; INPUT P. C. BOARD(h) REMOVAL.

1. REMOVE THE CHSSIS-TOP(20), REFERRING TO THE PREVIOUS STEP<1>
2. REMOVE THE CHASSIS-BACK, REFERRING TO THE PREVIOUS STEP<5>
3. DISCONNECT THE CONNECTOR(CP2) FROM LEAD WIRE(CW102) ON THE INPUT P.C. BOARD(h)
4. DISCONNECT THE CONNECTOR(CP1) FROM LEAD WIRE(CW101) ON THE INPUT P.C. BOARD(h)
5. DISCONNECT THE CONNECTOR(CP2) FROM LEAD WIRE(CW2) ON THE INPUT P.C. BOARD(h)
6. DISCONNECT THE CONNECTOR(CP1) FROM LEAD WIRE(CW1) ON THE INPUT P.C. BOARD(h)
7. DISCONNECT THE LEAD WIRE(5P) FROM CONNECTOR(CP24, CP25) ON THE INPUT P.C. BOARD(h)
8. DISCONNECT THE CONNECTOR(CP9) FROM LEAD WIRE(CW9) ON THE MAIN P.C.BOARD(e)
9. DISCONNECT THE CONNECTOR (CP22, CARD-CABLE) ON THE INPUT P. C. BOARD(h) FROM CONNECTOR (CP 11) ON THE MICOM P. C. BOARD(f).
10. DISCONNECT THE CONNECTOR(CP13, CARD CABLE) FROM LEAD WIRE(CP12) ON THE MAIN P. C. BOARD(e)
11. REMOVE 6 SCREWS(D) AND THEN REMOVE THE INPUT P. C. BOARD(h)

## &lt;7&gt; MICOM P. C. BOARD(f) REMOVAL.

1. REMOVE THE CHSSIS-TOP(20), REFERRING TO THE PREVIOUS STEP<1>
2. REMOVE THE CHASSIS-BACK, REFERRING TO THE PREVIOUS STEP<5>
3. REMOVE THE INPUT P. C. BOARD, REFERRING TO THE PREVIOUS STEP<6>
4. REMOVE 3 SCREWS(D) AND THEN REMOVE THE MICOM P. C. BOARD(f)

## &lt;8&gt; RADIATOR ASS'Y(AB) REMOVAL(RIGHT SIDE).

1. REMOVE THE CHSSIS-TOP(20), REFERRING TO THE PREVIOUS STEP<1>
2. REMOVE THE FRONT-PANEL ASS'Y(AA), REFERRING TO THE PREVIOUS STEP<2>
3. REMOVE THE CHASSIS-FORNT, REFERRING TO THE PREVIOUS STEP<3>
4. REMOVE THE CHASSIS-SIDE, REFERRING TO THE PREVIOUS STEP<4>
5. REMOVE THE CHASSIS-BACK, REFERRING TO THE PREVIOUS STEP<5>
6. DISCONNECT THE CONNECTOR(CP104) ON THE MAIN P. C. BOARD(e) FROM CONNECTOR(CW4-1, CW4-2) ON THE AMP P. C. BOARD(d)
7. DISCONNECT THE CONNECTOR(CP8) ON THE MAIN P. C. BOARD(e) FROM POSSITOR ON THE RADIATOR.
8. DISCONNECT THE CONNECTOR(CW9, 2P) ON THE MAIN P. C. BOARD(e) FROM CONNECTOR(CP9-1/3) ON THE AMP P. C. BOARD(d)
9. DISCONNECT THE CONNECTOR(CP103) ON THE MAIN P. C. BOARD(e) FROM CONNECTOR(CW3) ON THE AMP P. C. BOARD(d)
10. REMOVE 3 SCREWS AND THEN PULL OUT THE RADIATOR ASS'Y(AB)

## &lt;9&gt; RADIATOR ASS'Y(AB) REMOVAL(LEFT SIDE).

1. REMOVE THE CHSSIS-TOP(20), REFERRING TO THE PREVIOUS STEP<1>

2. REMOVE THE FRONT-PANEL ASS'Y(AA), REFERRING TO THE PREVIOUS STEP<2>
3. REMOVE THE CHASSIS-FORNT, REFERRING TO THE PREVIOUS STEP<3>
4. REMOVE THE CHASSIS-SIDE, REFERRING TO THE PREVIOUS STEP<4>
5. REMOVE THE CHASSIS-BACK, REFERRING TO THE PREVIOUS STEP<5>
6. DISCONNECT THE CONNECTOR(CP104) ON THE MAIN P. C. BOARD(e) FROM CONNECTOR(CW4-1, CW4-2) ON THE AMP P. C. BOARD(d)
7. DISCONNECT THE CONNECTOR(CP8) ON THE MAIN P. C. BOARD(e) FROM LEAD WIRE(POSSITOR, 2P) ON THE RADIATOR-MAIN.
8. DISCONNECT THE CONNECTOR(CW9, 2P) ON THE MAIN P. C. BOARD(e) FROM CONNECTOR(CP9-1/3) ON THE AMP P. C. BOARD(d)
9. DISCONNECT THE CONNECTOR(CP3) ON THE MAIN P. C. BOARD(e) FROM CONNECTOR(CW3) ON THE AMP P. C. BOARD(d)
10. REMOVE 3 SCREWS AND THEN PULL OUT THE RADIATOR ASS'Y(AB)

#### <10> MAIN P. C. BOARD(e) REMOVAL.

1. REMOVE THE CHSSIS-TOP(20), REFERRING TO THE PREVIOUS STEP<1>
2. REMOVE THE FRONT-PANEL ASS'Y(AA), REFERRING TO THE PREVIOUS STEP<2>
3. REMOVE THE CHASSIS-FORNT(7), REFERRING TO THE PREVIOUS STEP<3>
4. REMOVE THE CHASSIS-SIDE, REFERRING TO THE PREVIOUS STEP<4>
5. REMOVE THE CHASSIS-BACK(18), REFERRING TO THE PREVIOUS STEP<5>
6. REMOVE THE INPUT P. C. BOARD(h), REFERRING TO THE PREVIOUS STEP<6>
7. REMOVE MICOM P. C. BOARD(f), REFERRING TO THE PREVIOUS STEP<7>
8. REMOVE RADIATOR ASS'Y(AB), REFERRING TO THE PREVIOUS STEP<8,9>
9. DISCONNECT CONNECTOR (CP5) FROM LEAD WIRE(3P) ON THE POWER-TRANS(12)
10. DISCONNECT CONNECTOR (CP6) FROM LEAD WIRE(3P) ON THE POWER-TRANS(12)
11. REMOVE 10 SCREWS(G:8EA, H:2EA) AND THEN REMOVE THE MAIN P. C. BOARD(e)

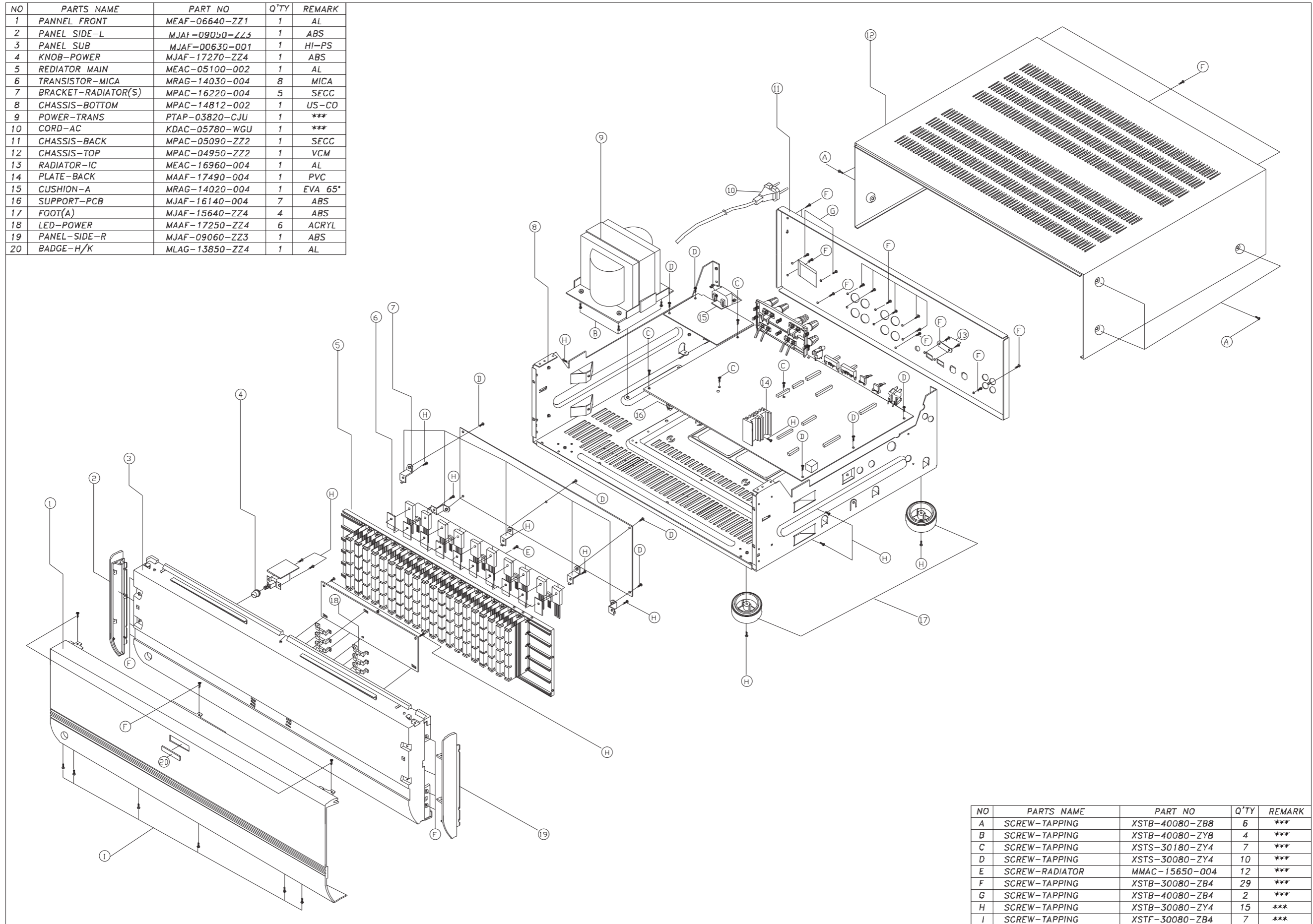
#### <11> POWER TRANS(12) REMOVAL

1. REMOVE THE CHSSIS-TOP(20), REFERRING TO THE PREVIOUS STEP<1>
2. REMOVE THE FRONT-PANEL ASS'Y(AA), REFERRING TO THE PREVIOUS STEP<2>
3. REMOVE THE CHASSIS-FORNT(7), REFERRING TO THE PREVIOUS STEP<3>
4. REMOVE THE CHASSIS-SIDE, REFERRING TO THE PREVIOUS STEP<4>
5. REMOVE THE CHASSIS-BACK(18), REFERRING TO THE PREVIOUS STEP<5>
6. REMOVE THE INPUT P. C. BOARD(h), REFERRING TO THE PREVIOUS STEP<6>
7. REMOVE MICOM P. C. BOARD(f), REFERRING TO THE PREVIOUS STEP<7>
8. REMOVE RADIATOR ASS'Y(AB), REFERRING TO THE PREVIOUS STEP<8,9>
9. REMOVE MAIN P. C. BOARD(e), REFERRING TO THE PREVIOUS STEP<10>
10. REMOVE 8 SCREWS AND THEN REMOVE THE POWER-TRANS(12)

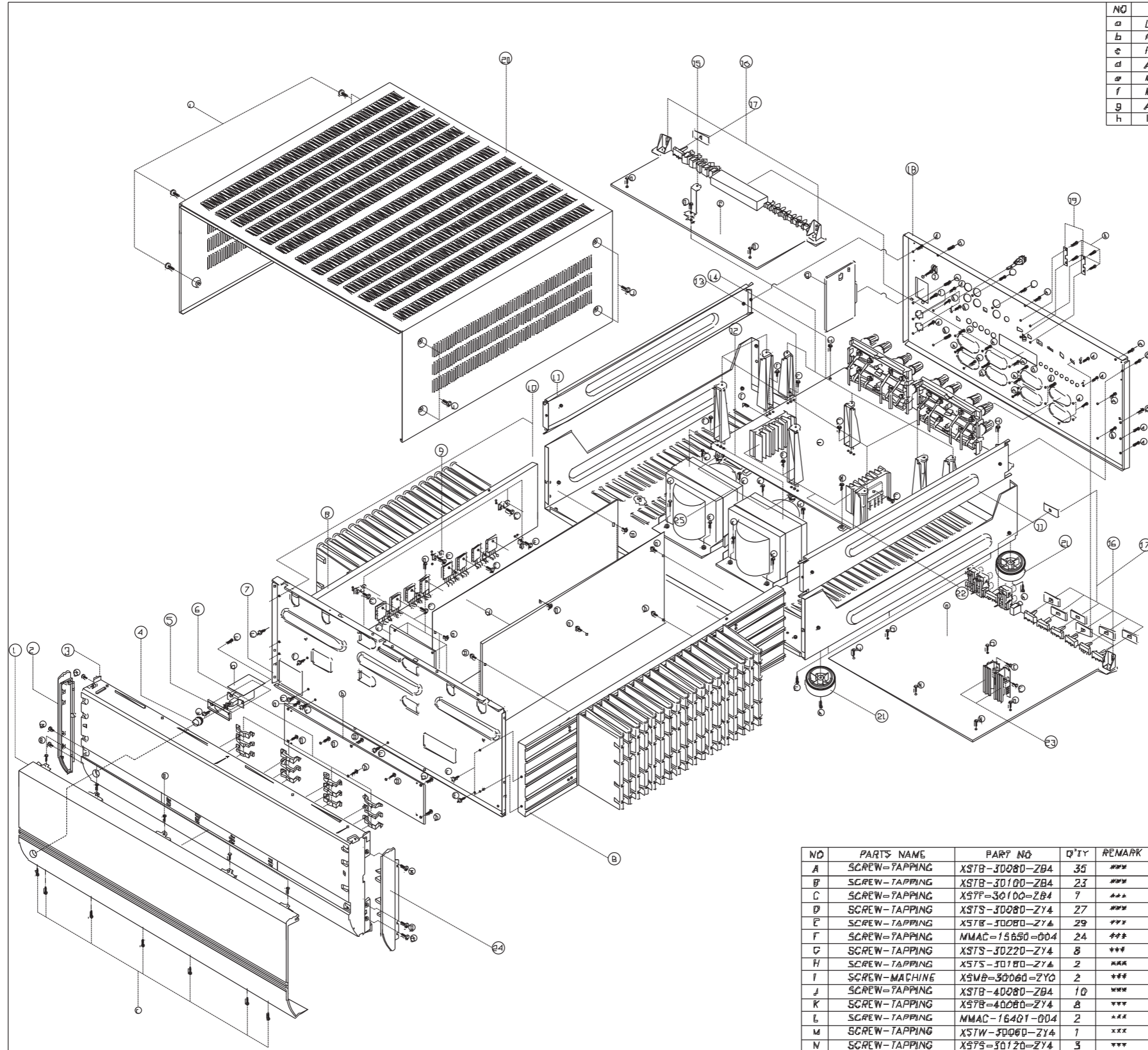


# 5. EXPLODED VIEW

NO	PARTS NAME	PART NO	Q'TY	REMARK
1	PANNEL FRONT	MEAF-06640-ZZ1	1	AL
2	PANEL SIDE-L	MJAF-09050-ZZ3	1	ABS
3	PANEL SUB	MJAF-00630-001	1	HI-PS
4	KNOB-POWER	MJAF-17270-ZZ4	1	ABS
5	RADIATOR MAIN	MEAC-05100-002	1	AL
6	TRANSISTOR-MICA	MRAG-14030-004	8	MICA
7	BRACKET-RADIATOR(S)	MPAC-16220-004	5	SECC
8	CHASSIS-BOTTOM	MPAC-14812-002	1	US-CO
9	POWER-TRANS	PTAP-03820-CJU	1	***
10	CORD-AC	KDAC-05780-WGU	1	***
11	CHASSIS-BACK	MPAC-05090-ZZ2	1	SECC
12	CHASSIS-TOP	MPAC-04950-ZZ2	1	VCM
13	RADIATOR-IC	MEAC-16960-004	1	AL
14	PLATE-BACK	MAAF-17490-004	1	PVC
15	CUSHION-A	MRAG-14020-004	1	EVA 65°
16	SUPPORT-PCB	MJAF-16140-004	7	ABS
17	FOOT(A)	MJAF-15640-ZZ4	4	ABS
18	LED-POWER	MAAF-17250-ZZ4	6	ACRYL
19	PANEL-SIDE-R	MJAF-09060-ZZ3	1	ABS
20	BADGE-H/K	MLAG-13850-ZZ4	1	AL



NO	PARTS NAME	PART NO	Q'TY	REMARK
A	SCREW-TAPPING	XSTB-40080-ZB8	6	***
B	SCREW-TAPPING	XSTB-40080-ZY8	4	***
C	SCREW-TAPPING	XSTS-30180-ZY4	7	***
D	SCREW-TAPPING	XSTS-30080-ZY4	10	***
E	SCREW-RADIATOR	MMAC-15650-004	12	***
F	SCREW-TAPPING	XSTB-30080-ZB4	29	***
G	SCREW-TAPPING	XSTB-40080-ZB4	2	***
H	SCREW-TAPPING	XSTB-30080-ZY4	15	***
I	SCREW-TAPPING	XSTF-30080-ZB4	7	***

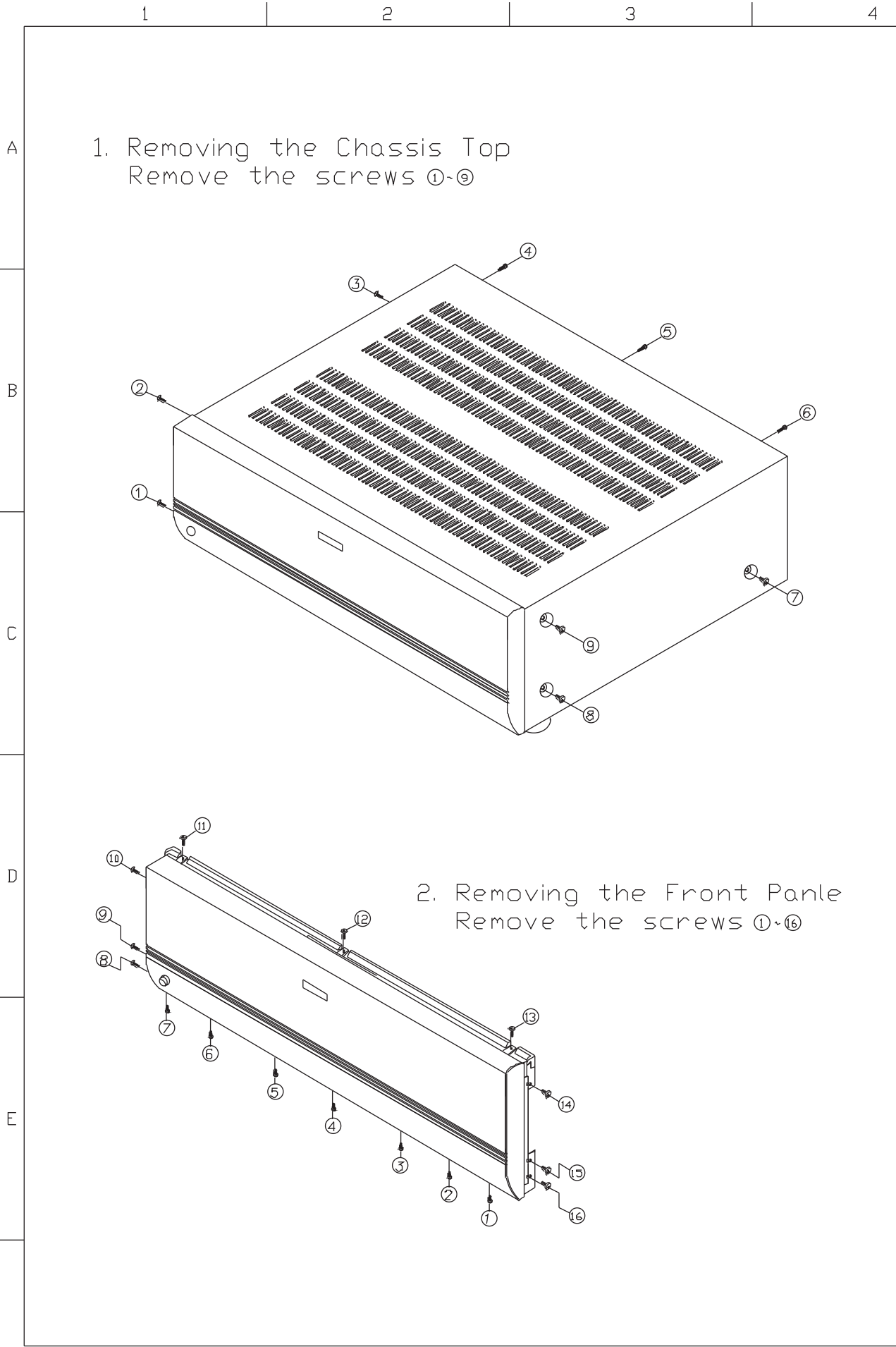


NO	PARTS NAME	PART NO	QTY	REMARK
a	LED P. C. BOARD	***	1	***
b	POWER P. C. BOARD	***	1	***
c	FRONT P. C. BOARD	***	1	***
d	AMP P. C. BOARD	***	2	***
e	MAIN P. C. BOARD	***	1	***
f	MI-CDM P. C. BOARD	***	1	***
g	AC-INLET P. C. BOARD	***	1	***
h	INPUT P. C. BOARD	***	1	***

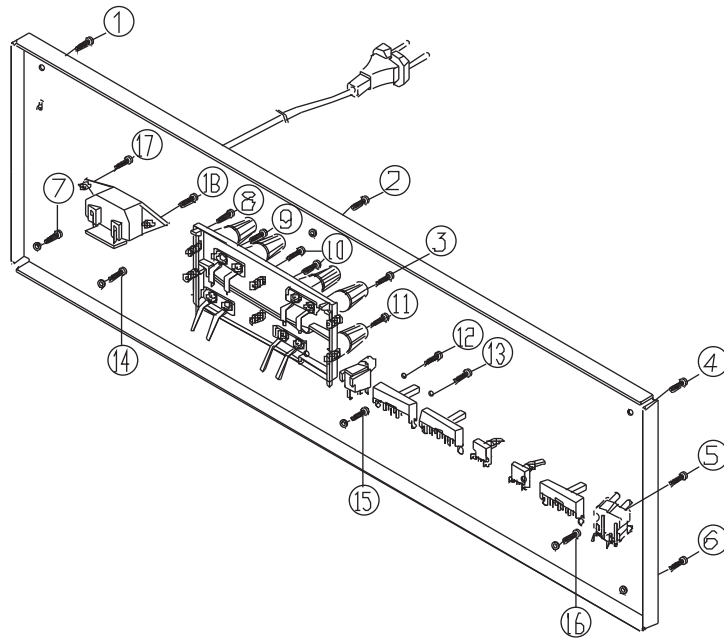
NO	PARTS NAME	PART NO	QTY	REMARK
1	PANEL-FRONT	MEAF-06730-ZZ1	1	AL
2	PANEL-SIDE-L	MJAF-09270-ZZ3	1	ABS
3	PANEL-SUB	MJAF-06720-ZZ1	1	ABS
4	KNOB-POWER	MJAF-17270-ZZ4	1	ABS
5	BRACKET-KNOB	MPAC-17130-004	1	SECC
6	LENS-POWER	MAAF-17250-ZZ4	12	ACRYL
7	CHASSIS-FRONT	MPAC-06390-001	1	SECC
8	RADIATOR-MAIN	MEAC-05120-002	2	AL
9	BRACKET-RADIATOR	MPAC-16220-004	10	SECC
10	CHASSIS-BOTTOM	MPAC-06410-001	1	SECC

NO	PARTS NAME	PART NO	QTY	REMARK
11	CHASSIS-SIDE	MPAC-05140-002	2	SECC
A	SCREW-TAPPING	XSTB-30080-Z04	30	***
B	SCREW-TAPPING	XSTB-30100-Z04	25	***
C	SCREW-TAPPING	XSTF-30100-Z04	7	***
D	SCREW-TAPPING	XSTS-30080-Z14	27	***
E	SCREW-TAPPING	XSTB-30080-Z14	29	***
F	SCREW-TAPPING	NMAC-15650-004	24	***
G	SCREW-TAPPING	XSTS-30220-Z14	8	***
H	SCREW-TAPPING	XST5-30180-Z14	2	***
I	SCREW-MACHINE	XSMB-30060-Z10	2	***
J	SCREW-TAPPING	XSTB-40080-Z04	10	***
K	SCREW-TAPPING	XSTB-40080-Z14	8	***
L	SCREW-TAPPING	NMAC-16401-004	2	***
M	SCREW-TAPPING	XSTW-30060-Z14	1	***
N	SCREW-TAPPING	XST5-30120-Z14	3	***
12	POWER-TRANS	MEAF-06640-ZZ1	2	***
13	SUPPORT-PCB-L	MJAC-17260-ZZ4	5	ABS
14	SUPPORT-PCB-S	MJAC-17270-ZZ4	3	ABS
15	BRACKET-PCB-KEYPAD	MPAC-17150-004	1	SECC
16	HOLDER-PC	MPAC-13660-004	3	***
17	PELLET-PROTECTOR	MAAF-17930-004	8	PELT
18	CHASSIS-BACK	MPAC-06420-ZZ1	1	SECC
19	PLATE-BACK	MAAF-17930-004	2	PVC
20	CHASSIS-TOP	MPAC-06400-ZZ3	1	SECC
21	FOOT	MJAF-15640-ZZ4	4	***
22	RADIATOR-TR	MAAF-16490-ZZ4	2	AL
23	RADIATOR-TR	MPAC-06400-ZZ3	2	AL
24	PANEL-SIDE-R	MJAF-09280-ZZ3	1	ABS
25	SUPPORT-PCB	MJAF-16140-004	10	ABS

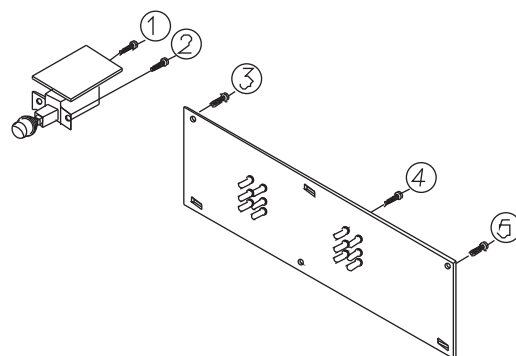
# 6. PRINCIPAL SCREW LOCATION



3. Removing the rear panel  
Remove the screws ①~⑯



4. Removing the main Power PCB,  
Front PCB Block.  
Remove the screws ①~⑤



1

2

3

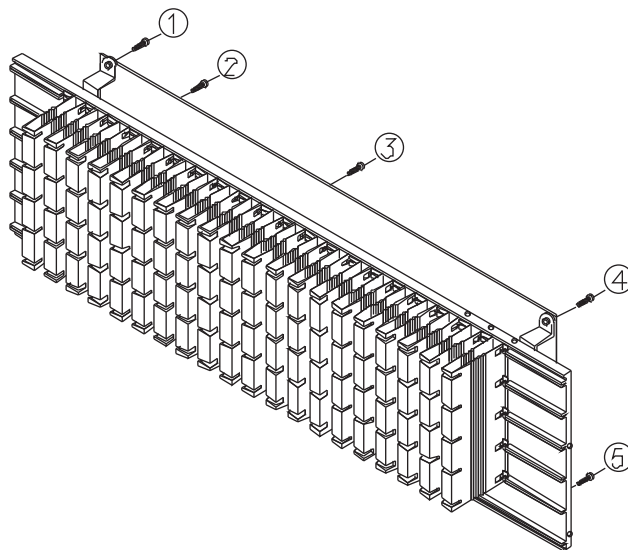
4

A

5. Removing the RADIATOR MAIN & AMP PCB.

Remove the screws ①~⑤

B

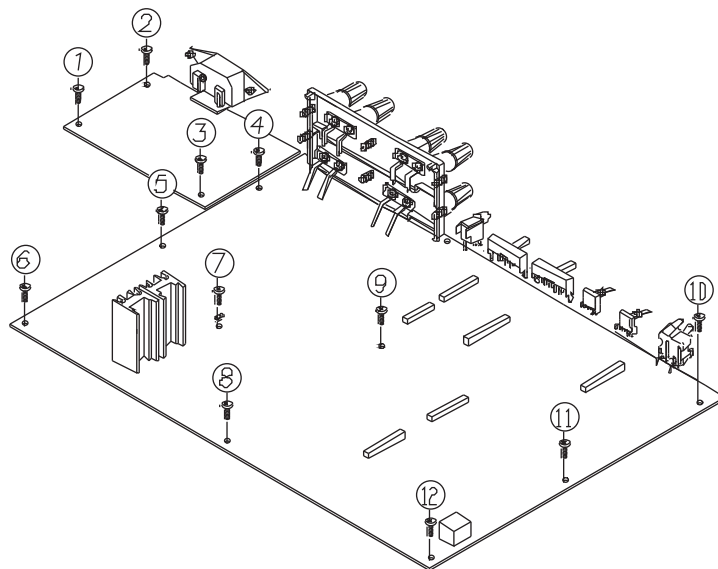


C

6. Removing the main Main PCB,

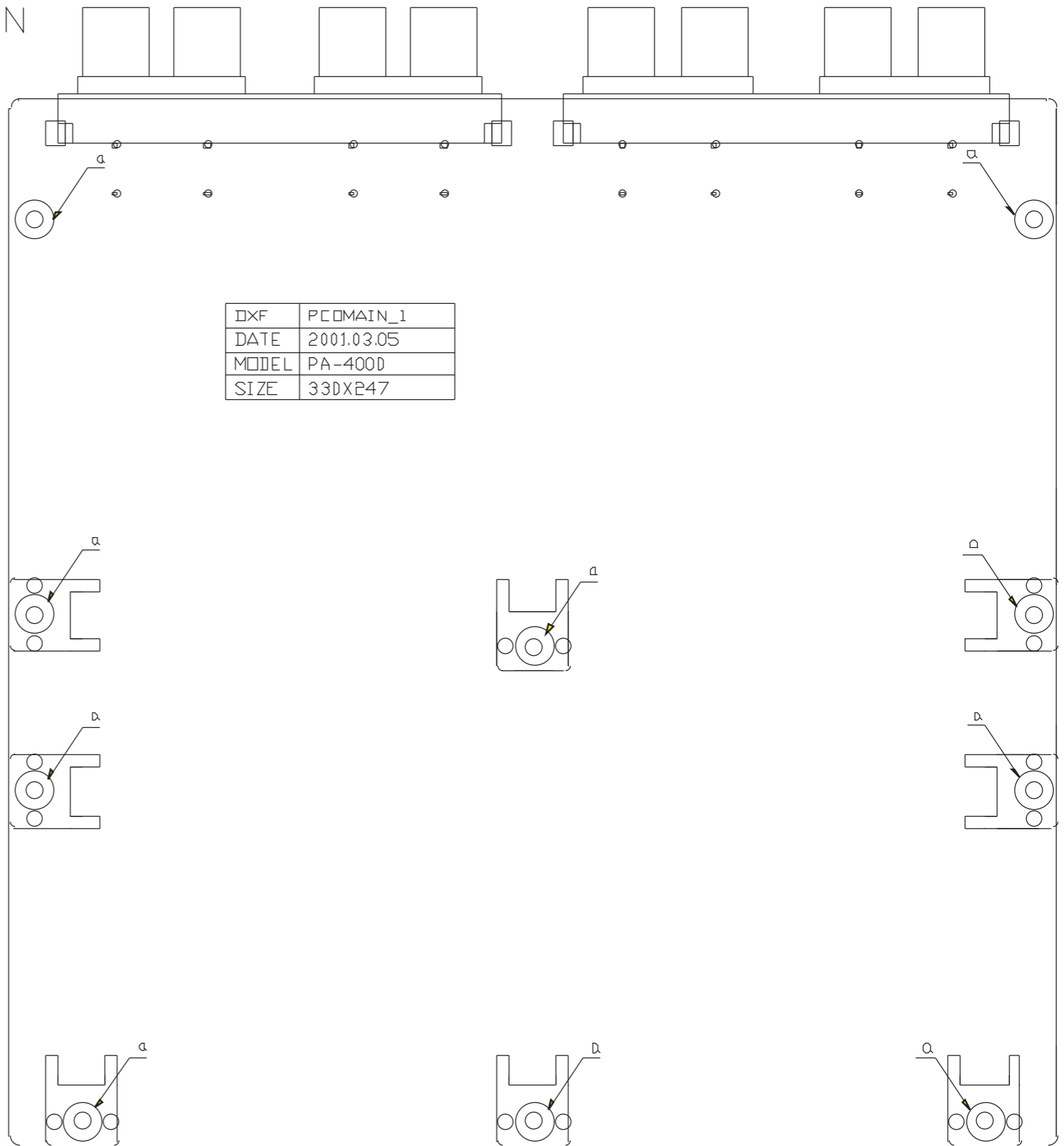
Remove the screws ①~⑫

D

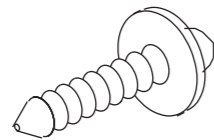


E

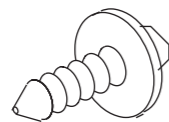
\*PA-4000:PRINCIPAL SCREW LOCATION



\* a POINT  
 - XSTS-30220-ZY4 SCREW-TAPPING

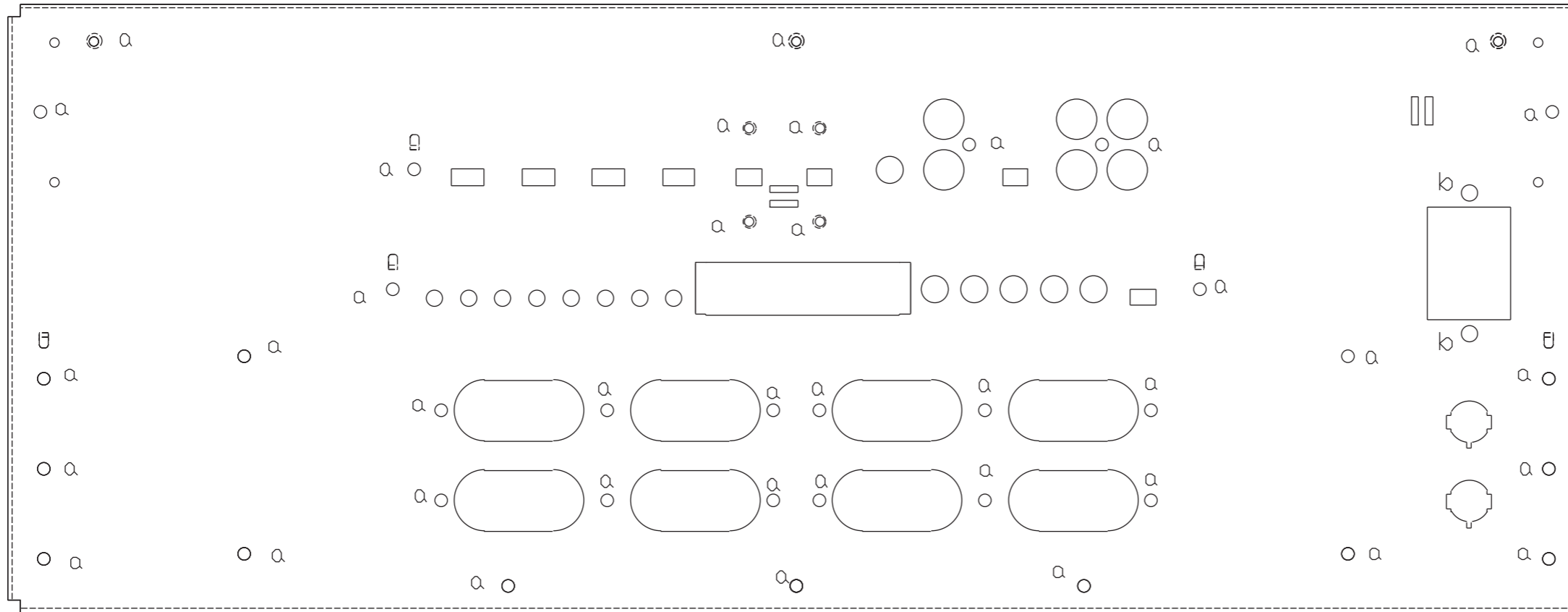


\* b POINT  
 - XSTS-30180-ZY4 SCREW-TAPPING



\* a POINT(8) : XSTS-30220-ZY4 SCREW-TAPPING  
 \* b POINT(2) : XSTS-30180-ZY4 SCREW-TAPPING

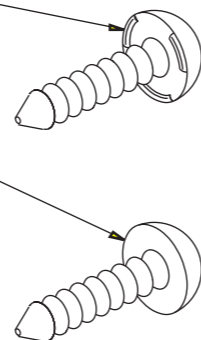
\* PA-4000 PRINCIPAL SCREW LOCATION



- \* a POINT(39) : XSTB-30080-ZB4 SCREW-TAPPING
- \* b POINT(2) : XSTB-40080-ZB4 SCREW-TAPPING

XSTB-30080-ZB4 SCREW-TAPPING

XSTB-40080-ZB4 SCREW-TAPPING



## 7. PART LIST

REF NO.	PART NO.	DESCRIPTION	
<b>MECHANISM</b>			
F3	FGFB-O2002-831	FUSE GLASS	2A 125V 51S
F4	FGFB-O2002-831	FUSE GLASS	2A 125V 51S
F2	FGFB-O8001-831	FUSE GLASS	800mA 125V 51S
F301	FGFB-O8002-831	FUSE GLASS	8A 125V 5x20 U/C SB
	KDAC-0578D-WGU	CORD AC	KC-045,KC-003 1.8M BLK
	MAAF-17250-014	LENS-POWER	PA-2000 PMMA 60N (HI-8
	MAAF-17490-004	PLATE-BACK	(PVC 1.0T)
	MEAC-05100-002	RADIATOR-MAIN	A6063 T-5
	MEAF-06640-011	PANEL-FRONT(AL)	PA-2000 (A6063 T-5)
	MEAF-17260-004	EXT-PANEL	A6063 T-5
	MJAF-06630-001	PANEL-SUB	ABS
	MJAF-09050-013	PANEL-SIDE(L)	PA-2000 ABS-720
	MJAF-09060-013	PANEL-SIDE(R)	PA-2000 ABS-720
	MJAF-15640-014	FOOT(A)	AVR200
	MJAF-16140-004	SUPPORT-PCB	ABS-720
	MJAF-17270-014	KNOB-POWER	PA-2000 ABS-720
	MJAF-17280-014	KNOB-ROTARY	PA-2000 ABS-720
	MJAG-04540-004	CABLE-TIE-L80	*
	MLAG-13850-014	BADGE-H/K	HK3370 AL
	MMAC-12060-004	TERMINAL-GND	
	MMAC-15650-004	SCREW-RADIATOR	
	MMSC-00900-004	AIR-STAPLER	
	MPAC-04812-002	CHASSIS-BOTTOM	US COATING T1.2
	MPAC-04950-012	CHASSIS-TOP	AVR200 SECC(T0.6) + P
	MPAC-05090-012	CHASSIS-BACK	PA-2000 SECC T0.8
	MPAC-16220-004	BRACKET-RADIATOR(S)	US COATING T1.0
	MRAG-13040-004	CUSHION-A	FELT 437x10x0.5 S
	MRAG-13050-004	CUSHION-A	FELT 250x10x0.5 S
	MRAG-13250-004	CUSHION-A	EVA T=5.0
	MRAG-14030-004	TRANSISTOR-MICA	MICA
	MWAW-00910-003	PALLETS	1040X1126X141
P/T	PTAP-03820-CJU	TRANSFORMER-POWER	A96-382C-U 120V/60Hz
CW9	U345-1A542-450	WIRE-ASS'Y	1617#22 BRN 420 3P
Q409	TRSC-01680-SB0	TRANSISTOR N-H FREQ	2SC4137 TO-126FP
Q413	TRSA-01780-SD0	TRANSISTOR N-H FREQ	2SC5200
Q414	TRSA-01770-SD0	TRANSISTOR P-H FREQ	2SA1943
Q459	TRSC-01680-SB0	TRANSISTOR N-H FREQ	2SC4137 TO-126FP
Q463	TRSA-01780-SD0	TRANSISTOR N-H FREQ	2SC5200
Q464	TRSA-01770-SD0	TRANSISTOR P-H FREQ	2SA1943
Q509	TRSC-01680-SB0	TRANSISTOR N-H FREQ	2SC4137 TO-126FP
Q513	TRSA-01780-SD0	TRANSISTOR N-H FREQ	2SC5200
Q514	TRSA-01770-SD0	TRANSISTOR P-H FREQ	2SA1943
Q559	TRSC-01680-SB0	TRANSISTOR N-H FREQ	2SC4137 TO-126FP
Q563	TRSA-01780-SD0	TRANSISTOR N-H FREQ	2SC5200
Q564	TRSA-01770-SD0	TRANSISTOR P-H FREQ	2SA1943
VP1	VSPO-00010-100	POSISTOR	P42T8D100BW23
	XSTB-25080-ZY4	SCREW-TAPPING	BHT2T 2.5x8 FE-ZY
	XSTB-30080-ZB4	SCREW-TAPPING	BHT2T 3x8 FE-ZB
	XSTB-30080-ZY4	SCREW-TAPPING	BHT2T 3x8 FE-ZY
	XSTB-40080-ZB4	SCREW-TAPPING	BHT2T 4x8 FE-ZB
	XSTB-40080-ZY8	SCREW-TAPPING	BHT3T 4x8 FE-ZY
	XSTF-30080-ZB4	SCREW-TAPPING	FHT2T 3x8 FE-ZB
	XSTS-30080-ZY4	SCREW-TAPPING	PHWT2T 3x8 FE-ZY
	XSTS-30180-ZY4	SCREW-TAPPING	PHWT2T 3x18 FE-ZY
	YGAP-14860-074	BOX-GIFT	HK3470RDS 535X480X231 DW



REF NO.	PART NO.	DESCRIPTION				
<b>MECHANISM</b>						
	YSAP-12070-002	CUSHION-L/R		EPS		
	YVAP-01862-014	POLY-BAG-I(G)		TCS-1010		
	YVAP-13320-014	TOILON-SHEET		PA-2000	750x1200, 0.5t	
	7JG-00212-001	PACKING WRAP		500mm*1400m		
<b>MAIN PCB</b>						
C2	CEET-J4R7M-CI0	CAPACITOR E/ALUMINUM	4.7uF	M 50V 5x11		T
C3	CCAT-J101K-AAB	CAPACITOR CERAMIC	100PF	K 50V B	T	
C5	CEET-J4R7M-CI0	CAPACITOR E/ALUMINUM	4.7uF	M 50V 5x11		T
C6	CCAT-J101K-AAB	CAPACITOR CERAMIC	100PF	K 50V B	T	
C7	CEET-F470M-CI0	CAPACITOR E/ALUMINUM	47uF	M 25V 5x11		T
C8	CEET-F470M-CI0	CAPACITOR E/ALUMINUM	47uF	M 25V 5x11		T
C9	CEET-F220M-CI0	CAPACITOR E/ALUMINUM	22uF	M 25V 5x11		T
C10	CEET-F220M-CI0	CAPACITOR E/ALUMINUM	22uF	M 25V 5x11		T
C11	CEET-J4R7M-CI0	CAPACITOR E/ALUMINUM	4.7uF	M 50V 5x11		T
C12	CCAT-J101K-AAB	CAPACITOR CERAMIC	100PF	K 50V B	T	
C13	CCAT-J180J-AAZ	CAPACITOR CERAMIC	18PF	J 50V SL	T	
C14	CEET-F470M-CI0	CAPACITOR E/ALUMINUM	47uF	M 25V 5x11		T
C15	CEET-J4R7M-CI0	CAPACITOR E/ALUMINUM	4.7uF	M 50V 5x11		T
C16	CCAT-J101K-AAB	CAPACITOR CERAMIC	100PF	K 50V B	T	
C17	CCAT-J180J-AAZ	CAPACITOR CERAMIC	18PF	J 50V SL	T	
C18	CEET-F470M-CI0	CAPACITOR E/ALUMINUM	47uF	M 25V 5x11		T
C19	CEET-F470M-CI0	CAPACITOR E/ALUMINUM	47uF	M 25V 5x11		T
C20	CEET-F470M-CI0	CAPACITOR E/ALUMINUM	47uF	M 25V 5x11		T
C21	CCAT-J101K-AAB	CAPACITOR CERAMIC	100PF	K 50V B	T	
C22	CCTT-J560J-0DC	CAPACITOR CERAMIC	56PF	J 50V CH	T	
C23	CEET-J4R7M-CI0	CAPACITOR E/ALUMINUM	4.7uF	M 50V 5x11		T
C24	CCTT-J560J-0DC	CAPACITOR CERAMIC	56PF	J 50V CH	T	
C25	CEET-J4R7M-CI0	CAPACITOR E/ALUMINUM	4.7uF	M 50V 5x11		T
C26	CEET-F470M-CI0	CAPACITOR E/ALUMINUM	47uF	M 25V 5x11		T
C27	CEET-F470M-CI0	CAPACITOR E/ALUMINUM	47uF	M 25V 5x11		T
C28	CEET-F330M-CI0	CAPACITOR E/ALUMINUM	33uF	M 25V 5x11		T
C29	CCAT-J101K-AAB	CAPACITOR CERAMIC	100PF	K 50V B	T	
C30	CEET-F330M-CI0	CAPACITOR E/ALUMINUM	33uF	M 25V 5x11		T
C31	CCAT-J101K-AAB	CAPACITOR CERAMIC	100PF	K 50V B	T	
C32	CEET-F330M-CI0	CAPACITOR E/ALUMINUM	33uF	M 25V 5x11		T
C33	CCAT-J101K-AAB	CAPACITOR CERAMIC	100PF	K 50V B	T	
C34	CCTT-J560J-0DC	CAPACITOR CERAMIC	56PF	J 50V CH	T	
C35	CEET-J4R7M-CI0	CAPACITOR E/ALUMINUM	4.7uF	M 50V 5x11		T
C36	CCTT-J560J-0DC	CAPACITOR CERAMIC	56PF	J 50V CH	T	
C37	CEET-J4R7M-CI0	CAPACITOR E/ALUMINUM	4.7uF	M 50V 5x11		T
C38	CEET-F470M-CI0	CAPACITOR E/ALUMINUM	47uF	M 25V 5x11		T
C39	CEET-F470M-CI0	CAPACITOR E/ALUMINUM	47uF	M 25V 5x11		T
C40	CEET-F330M-CI0	CAPACITOR E/ALUMINUM	33uF	M 25V 5x11		T
C41	CCAT-J101K-AAB	CAPACITOR CERAMIC	100PF	K 50V B	T	
C42	CEET-F330M-CI0	CAPACITOR E/ALUMINUM	33uF	M 25V 5x11		T
C43	CCAT-J101K-AAB	CAPACITOR CERAMIC	100PF	K 50V B	T	
C44	CEET-F330M-CI0	CAPACITOR E/ALUMINUM	33uF	M 25V 5x11		T
C45	CCAT-J101K-AAB	CAPACITOR CERAMIC	100PF	K 50V B	T	
C46	CCAT-J390J-AAZ	CAPACITOR CERAMIC	39PF	J 50V SL	T	
C47	CCAT-J390J-AAZ	CAPACITOR CERAMIC	39PF	J 50V SL	T	
C48	CEET-J1R0M-CI0	CAPACITOR E/ALUMINUM	1.0uF	M 50V 5x11		T
C49	CEET-JR47M-CI0	CAPACITOR E/ALUMINUM	0.47uF	M 50V 5x11		T
C50	CCAT-J101K-AAB	CAPACITOR CERAMIC	100PF	K 50V B	T	
C51	CFMT-S104K-GI0	CAPACITOR F/POLYESTR	0.1uF	K 250V 9.5x11	TL	

REF NO.	PART NO.	DESCRIPTION	
<b>MAIN PCB</b>			
C52	CFMT-S104K-GI0	CAPACITOR F/POLYESTR	0.1uF K 250V 9.5x11 TL
C53	CFMT-S104K-GI0	CAPACITOR F/POLYESTR	0.1uF K 250V 9.5x11 TL
C54	CFMT-S104K-GI0	CAPACITOR F/POLYESTR	0.1uF K 250V 9.5x11 TL
C55	CFMT-S104K-GI0	CAPACITOR F/POLYESTR	0.1uF K 250V 9.5x11 TL
C56	CEEZ-L154M-SW2	CAPACITOR E/ALUMINUM	15000uF M 63V 35x60
C57	CEEZ-L154M-SW2	CAPACITOR E/ALUMINUM	15000uF M 63V 35x60
C58	CFMT-N473J-GK0	CAPACITOR F/POLYESTR	0.047uF J 100V 8.9x13. T
C59	CFMT-N473J-GK0	CAPACITOR F/POLYESTR	0.047uF J 100V 8.9x13. T
C60	CFMT-N473J-GK0	CAPACITOR F/POLYESTR	0.047uF J 100V 8.9x13. T
C61	CEEM-G222M-LR1	CAPACITOR E/ALUMINUM	2200uF M 35V 16x31.5 U M
C62	CEEM-G222M-LR1	CAPACITOR E/ALUMINUM	2200uF M 35V 16x31.5 U M
C63	CCAT-J104Z-AAF	CAPACITOR CERAMIC	0.1uF Z 50V F T
C64	CCAT-J104Z-AAF	CAPACITOR CERAMIC	0.1uF Z 50V F T
C65	CCAT-J104Z-AAF	CAPACITOR CERAMIC	0.1uF Z 50V F T
C66	CEET-G221M-HJ1	CAPACITOR E/ALUMINUM	220uF M 35V 10x12.5 U T
C67	CFMT-N473J-GK0	CAPACITOR F/POLYESTR	0.047uF J 100V 8.9x13. T
C68	CFMT-N473J-GK0	CAPACITOR F/POLYESTR	0.047uF J 100V 8.9x13. T
C69	CFMT-N473J-GK0	CAPACITOR F/POLYESTR	0.047uF J 100V 8.9x13. T
C70	CFMT-N473J-GK0	CAPACITOR F/POLYESTR	0.047uF J 100V 8.9x13. T
C71	CCAT-J104Z-AAF	CAPACITOR CERAMIC	0.1uF Z 50V F T
C72	CCAT-J104Z-AAF	CAPACITOR CERAMIC	0.1uF Z 50V F T
C73	CEET-G100M-CI0	CAPACITOR E/ALUMINUM	10uF M 35V 5x11 T
C74	CEET-J1R0M-CI0	CAPACITOR E/ALUMINUM	1.0uF M 50V 5x11 T
C75	CCAT-J473Z-AAF	CAPACITOR CERAMIC	0.047uF Z 50V F T
C76	CEET-J1R0M-CI0	CAPACITOR E/ALUMINUM	1.0uF M 50V 5x11 T
C77	CEET-C471M-FI1	CAPACITOR E/ALUMINUM	470uF M 6.3V 8x11.5 U T
C78	CEET-J1R0M-CI0	CAPACITOR E/ALUMINUM	1.0uF M 50V 5x11 T
C79	CEET-C471M-FI1	CAPACITOR E/ALUMINUM	470uF M 6.3V 8x11.5 U T
C80	CFMT-N473J-GK0	CAPACITOR F/POLYESTR	0.047uF J 100V 8.9x13. T
C81	CFMT-N473J-GK0	CAPACITOR F/POLYESTR	0.047uF J 100V 8.9x13. T
C82	CCAT-J473Z-AAF	CAPACITOR CERAMIC	0.047uF Z 50V F T
C83	CCAT-J473Z-AAF	CAPACITOR CERAMIC	0.047uF Z 50V F T
C84	CCAT-J473Z-AAF	CAPACITOR CERAMIC	0.047uF Z 50V F T
C85	CCAT-J473Z-AAF	CAPACITOR CERAMIC	0.047uF Z 50V F T
C86	CEET-G100M-CI0	CAPACITOR E/ALUMINUM	10uF M 35V 5x11 T
C87	CEET-J1R0M-CI0	CAPACITOR E/ALUMINUM	1.0uF M 50V 5x11 T
C88	CEET-F102M-HN0	CAPACITOR E/ALUMINUM	1000uF M 25V 13x16 T
C89	CCAT-J104Z-AAF	CAPACITOR CERAMIC	0.1uF Z 50V F T
C90	CEET-F470M-CI0	CAPACITOR E/ALUMINUM	47uF M 25V 5x11 T
C91	CEET-F470M-CI0	CAPACITOR E/ALUMINUM	47uF M 25V 5x11 T
C92	CCAT-J473Z-AAF	CAPACITOR CERAMIC	0.047uF Z 50V F T
C93	CCAT-J104Z-AAF	CAPACITOR CERAMIC	0.1uF Z 50V F T
C95	CEET-D101M-CI0	CAPACITOR E/ALUMINUM	100uF M 10V 5x11 T
C96	CEET-F220M-CI0	CAPACITOR E/ALUMINUM	22uF M 25V 5x11 T
C97	CCAT-J473Z-AAF	CAPACITOR CERAMIC	0.047uF Z 50V F T
C98	CCAT-J473Z-AAF	CAPACITOR CERAMIC	0.047uF Z 50V F T
C99	CCAT-J473Z-AAF	CAPACITOR CERAMIC	0.047uF Z 50V F T
C100	CCAT-J473Z-AAF	CAPACITOR CERAMIC	0.047uF Z 50V F T
CP1	KNCW-00240-DT9	CONNECTOR-WAFER	53014-13 2.0mm WHT
CP2	KNCW-00970-4T9	CONNECTOR-WAFER	JE202-1T-4P
CP3	KNCW-00970-4T9	CONNECTOR-WAFER	JE202-1T-4P
CP4	KNCW-00240-7T9	CONNECTOR-WAFER	53014-07 2.0mm WHT
CP5	KNCW-00140-2TM	CONNECTOR-WAFER	5267-02A 2.5mm MILK
CP6	KNCW-00970-3T9	CONNECTOR-WAFER	JE202-1T-3P
CP7	KNCW-00140-5TM	CONNECTOR-WAFER	5267-05A 2.5mm MILK

REF NO.	PART NO.	DESCRIPTION	
<b>MAIN PCB</b>			
CP10	KNCW-00970-3T9	CONNECTOR-WAFER	JE202-1T-3P
D1	DDTS-00070-SO0	DIODE-SI	1SS133 (40V 0.11A) DO-40 T
D2	DDTS-00070-SO0	DIODE-SI	1SS133 (40V 0.11A) DO-40 T
D3	DDTR-00040-T10	DIODE-RECTIFIER	1N4004S(400V 1A 0.6mm) T
D4	DDTS-00070-SO0	DIODE-SI	1SS133 (40V 0.11A) DO-40 T
D5	DD4B-00360-VA0	DIODE-BRIDGE	D15XB60H
D6	DDTR-00040-T10	DIODE-RECTIFIER	1N4004S(400V 1A 0.6mm) T
D7	DDTR-00040-T10	DIODE-RECTIFIER	1N4004S(400V 1A 0.6mm) T
D8	DDTR-00040-T10	DIODE-RECTIFIER	1N4004S(400V 1A 0.6mm) T
D9	DDTR-00040-T10	DIODE-RECTIFIER	1N4004S(400V 1A 0.6mm) T
D10	DDTR-00040-T10	DIODE-RECTIFIER	1N4004S(400V 1A 0.6mm) T
D11	DDTR-00040-T10	DIODE-RECTIFIER	1N4004S(400V 1A 0.6mm) T
D12	DDTR-00040-T10	DIODE-RECTIFIER	1N4004S(400V 1A 0.6mm) T
D13	DDTR-00040-T10	DIODE-RECTIFIER	1N4004S(400V 1A 0.6mm) T
D14	DDTR-00040-T10	DIODE-RECTIFIER	1N4004S(400V 1A 0.6mm) T
D15	DDTS-00070-SO0	DIODE-SI	1SS133 (40V 0.11A) DO-40 T
D16	DDTZ-G091B-SO0	DIODE ZENER	MTZ9.1B 9.01 DO40 T
D17	DDTS-00070-SO0	DIODE-SI	1SS133 (40V 0.11A) DO-40 T
D18	DDTS-00070-SO0	DIODE-SI	1SS133 (40V 0.11A) DO-40 T
D19	DDTZ-G091B-SO0	DIODE ZENER	MTZ9.1B 9.01 DO40 T
D20	DDTR-00040-T10	DIODE-RECTIFIER	1N4004S(400V 1A 0.6mm) T
D21	DDTR-00040-T10	DIODE-RECTIFIER	1N4004S(400V 1A 0.6mm) T
D22	DDTR-00040-T10	DIODE-RECTIFIER	1N4004S(400V 1A 0.6mm) T
D23	DDTR-00040-T10	DIODE-RECTIFIER	1N4004S(400V 1A 0.6mm) T
D24	DDTS-00070-SO0	DIODE-SI	1SS133 (40V 0.11A) DO-40 T
D25	DDTZ-G051B-SOS	DIODE ZENER	MTZJ5.1B 4.94-5.20 DO34 T
D26	DDTS-00070-SO0	DIODE-SI	1SS133 (40V 0.11A) DO-40 T
FC3	MPAC-11620-004	FUSE CLIP	5.2Pi TAPPING TYPE
FC4	MPAC-11620-004	FUSE CLIP	5.2Pi TAPPING TYPE
FC5	MPAC-11620-004	FUSE CLIP	5.2Pi TAPPING TYPE
FC6	MPAC-11620-004	FUSE CLIP	5.2Pi TAPPING TYPE
FC7	MPAC-11620-004	FUSE CLIP	5.2Pi TAPPING TYPE
FC8	MPAC-11620-004	FUSE CLIP	5.2Pi TAPPING TYPE
IC1	ICOP-00131-SE0	IC DUAL OP AMP	KA4558C DIP8
IC2	ICOP-00131-SE0	IC DUAL OP AMP	KA4558C DIP8
IC3	ICOP-00131-SE0	IC DUAL OP AMP	KA4558C DIP8
IC4	ICOP-00131-SE0	IC DUAL OP AMP	KA4558C DIP8
IC5	ICOP-00131-SE0	IC DUAL OP AMP	KA4558C DIP8
IC6	ICRG-00061-SE0	IC REGULATOR	KA7815 15V 3mm TO-220
IC7	ICRG-00251-SE0	IC REGULATOR	KA7915 15V 3mm TO-220
IC8	ICRG-00043-SE0	IC REGULATOR	KA7805 5V 3mm TO-220
IC9	AAOP-99308-001	OTP	KS57P0504
IC10	ICOP-00131-SE0	IC DUAL OP AMP	KA4558C DIP8
JK1	SKRC-00402-040	SOCKET-RCA	JK0400450G 4P
JK2	SKPH-00410-360	SOCKET-PHONE	SHQ8596-01-0101
L1	KI0T-4100K-003	COIL-INDUCTOR	10uH K LAL02 T
PCB_MAIN	PCSA-05580-11B	PCB-SINGLE	A1A-558 330x247x1.6t
Q1	TRTC-0016Y-SD0	TRANSISTOR N-H FREQ	KTC3198-Y TO92
Q2	TRTD-00200-SD0	TRANSISTOR N-L FREQ	KTD-1302 TO92
Q3	TRTD-00200-SD0	TRANSISTOR N-L FREQ	KTD-1302 TO92
Q4	TRTD-00200-SD0	TRANSISTOR N-L FREQ	KTD-1302 TO92
Q5	TRTD-00200-SD0	TRANSISTOR N-L FREQ	KTD-1302 TO92
Q6	TRTD-00200-SD0	TRANSISTOR N-L FREQ	KTD-1302 TO92
Q7	TRTD-00200-SD0	TRANSISTOR N-L FREQ	KTD-1302 TO92
Q8	TRTC-0016Y-SD0	TRANSISTOR N-H FREQ	KTC3198-Y TO92

REF NO.	PART NO.	DESCRIPTION		
<b>MAIN PCB</b>				
Q9	TRTC-0039Y-SD0	TRANSISTOR N-H FREQ	KTC3205-Y	TO92L
Q10	TRTC-0039Y-SD0	TRANSISTOR N-H FREQ	KTC3205-Y	TO92L
Q11	TRTC-02050-SD0	TRANSISTOR N-H FREQ	KRC120M	W/RESIST TO92M
Q12	TRTC-02050-SD0	TRANSISTOR N-H FREQ	KRC120M	W/RESIST TO92M
Q13	TRTC-02050-SD0	TRANSISTOR N-H FREQ	KRC120M	W/RESIST TO92M
Q14	TRTC-02050-SD0	TRANSISTOR N-H FREQ	KRC120M	W/RESIST TO92M
Q15	TRTC-02050-SD0	TRANSISTOR N-H FREQ	KRC120M	W/RESIST TO92M
Q16	TRTC-02050-SD0	TRANSISTOR N-H FREQ	KRC120M	W/RESIST TO92M
Q17	TRTC-0016Y-SD0	TRANSISTOR N-H FREQ	KTC3198-Y	TO92
Q18	TRTC-0016Y-SD0	TRANSISTOR N-H FREQ	KTC3198-Y	TO92
Q19	TRTA-0008Y-SD0	TRANSISTOR P-H FREQ	KTA1266-Y	TO92
Q20	TRTC-0016Y-SD0	TRANSISTOR N-H FREQ	KTC3198-Y	TO92
Q21	TRTC-0016Y-SD0	TRANSISTOR N-H FREQ	KTC3198-Y	TO92
Q22	TRTA-0008Y-SD0	TRANSISTOR P-H FREQ	KTA1266-Y	TO92
Q23	TRTC-0016Y-SD0	TRANSISTOR N-H FREQ	KTC3198-Y	TO92
Q24	TRTC-0016Y-SD0	TRANSISTOR N-H FREQ	KTC3198-Y	TO92
Q25	TRTA-0040Y-SOS	TRANSISTOR P-H FREQ	DTA114Y-S	W/RESIST TO92M
Q26	TRTC-01700-SD0	TRANSISTOR N-H FREQ	KRC107M	W/RESIST TO92M
Q27	TRTC-01700-SD0	TRANSISTOR N-H FREQ	KRC107M	W/RESIST TO92M
Q28	TRTC-0016Y-SD0	TRANSISTOR N-H FREQ	KTC3198-Y	TO92
Q29	TRTA-0008Y-SD0	TRANSISTOR P-H FREQ	KTA1266-Y	TO92
Q30	TRTC-01700-SD0	TRANSISTOR N-H FREQ	KRC107M	W/RESIST TO92M
Q31	TRTC-0016Y-SD0	TRANSISTOR N-H FREQ	KTC3198-Y	TO92
Q32	TRTA-0008Y-SD0	TRANSISTOR P-H FREQ	KTA1266-Y	TO92
Q33	TRTC-01700-SD0	TRANSISTOR N-H FREQ	KRC107M	W/RESIST TO92M
R1	RCFT-E102J-000	RESISTOR-CARBON FILM	1Kohm	1/5W 5% T
R2	RCFT-E104J-000	RESISTOR-CARBON FILM	100Kohm	1/5W 5% T
R3	RCFT-E102J-000	RESISTOR-CARBON FILM	1Kohm	1/5W 5% T
R4	RCFT-E104J-000	RESISTOR-CARBON FILM	100Kohm	1/5W 5% T
R5	RCFT-E101J-000	RESISTOR-CARBON FILM	100ohm	1/5W 5% T
R6	RCFT-E101J-000	RESISTOR-CARBON FILM	100ohm	1/5W 5% T
R7	RCFT-E102J-000	RESISTOR-CARBON FILM	1Kohm	1/5W 5% T
R8	RCFT-E104J-000	RESISTOR-CARBON FILM	100Kohm	1/5W 5% T
R9	RCFT-E104J-000	RESISTOR-CARBON FILM	100Kohm	1/5W 5% T
R10	RCFT-E821J-000	RESISTOR-CARBON FILM	820ohm	1/5W 5% T
R11	RCFT-E102J-000	RESISTOR-CARBON FILM	1Kohm	1/5W 5% T
R12	RCFT-E104J-000	RESISTOR-CARBON FILM	100Kohm	1/5W 5% T
R13	RCFT-E104J-000	RESISTOR-CARBON FILM	100Kohm	1/5W 5% T
R14	RCFT-E821J-000	RESISTOR-CARBON FILM	820ohm	1/5W 5% T
R15	RCFT-E101J-000	RESISTOR-CARBON FILM	100ohm	1/5W 5% T
R16	RCFT-E101J-000	RESISTOR-CARBON FILM	100ohm	1/5W 5% T
R17	RCFT-E332J-000	RESISTOR-CARBON FILM	3.3Kohm	1/5W 5% T
R18	RCFT-E332J-000	RESISTOR-CARBON FILM	3.3Kohm	1/5W 5% T
R19	RCFT-E332J-000	RESISTOR-CARBON FILM	3.3Kohm	1/5W 5% T
R20	RCFT-E332J-000	RESISTOR-CARBON FILM	3.3Kohm	1/5W 5% T
R21	RCFT-E152J-000	RESISTOR-CARBON FILM	1.5Kohm	1/5W 5% T
R22	RCFT-E104J-000	RESISTOR-CARBON FILM	100Kohm	1/5W 5% T
R23	RCFT-E152J-000	RESISTOR-CARBON FILM	1.5Kohm	1/5W 5% T
R24	RCFT-E104J-000	RESISTOR-CARBON FILM	100Kohm	1/5W 5% T
R25	RCFT-E101J-000	RESISTOR-CARBON FILM	100ohm	1/5W 5% T
R26	RCFT-E101J-000	RESISTOR-CARBON FILM	100ohm	1/5W 5% T
R27	RCFT-E332J-000	RESISTOR-CARBON FILM	3.3Kohm	1/5W 5% T
R28	RCFT-E332J-000	RESISTOR-CARBON FILM	3.3Kohm	1/5W 5% T
R29	RCFT-E221J-000	RESISTOR-CARBON FILM	220ohm	1/5W 5% T
R30	RCFT-E683J-000	RESISTOR-CARBON FILM	68Kohm	1/5W 5% T

REF NO.	PART NO.	DESCRIPTION
<b>MAIN PCB</b>		
R31	RCFT-E221J-000	RESISTOR-CARBON FILM 220ohm 1/5W 5% T
R32	RCFT-E683J-000	RESISTOR-CARBON FILM 68Kohm 1/5W 5% T
R33	RCFT-E221J-000	RESISTOR-CARBON FILM 220ohm 1/5W 5% T
R34	RCFT-E683J-000	RESISTOR-CARBON FILM 68Kohm 1/5W 5% T
R35	RCFT-E472J-000	RESISTOR-CARBON FILM 4.7Kohm 1/5W 5% T
R36	RCFT-E472J-000	RESISTOR-CARBON FILM 4.7Kohm 1/5W 5% T
R37	RCFT-E472J-000	RESISTOR-CARBON FILM 4.7Kohm 1/5W 5% T
R38	RCFT-E152J-000	RESISTOR-CARBON FILM 1.5Kohm 1/5W 5% T
R39	RCFT-E104J-000	RESISTOR-CARBON FILM 100Kohm 1/5W 5% T
R40	RCFT-E152J-000	RESISTOR-CARBON FILM 1.5Kohm 1/5W 5% T
R41	RCFT-E104J-000	RESISTOR-CARBON FILM 100Kohm 1/5W 5% T
R42	RCFT-E101J-000	RESISTOR-CARBON FILM 100ohm 1/5W 5% T
R43	RCFT-E101J-000	RESISTOR-CARBON FILM 100ohm 1/5W 5% T
R44	RCFT-E332J-000	RESISTOR-CARBON FILM 3.3Kohm 1/5W 5% T
R45	RCFT-E332J-000	RESISTOR-CARBON FILM 3.3Kohm 1/5W 5% T
R46	RCFT-E221J-000	RESISTOR-CARBON FILM 220ohm 1/5W 5% T
R47	RCFT-E683J-000	RESISTOR-CARBON FILM 68Kohm 1/5W 5% T
R48	RCFT-E221J-000	RESISTOR-CARBON FILM 220ohm 1/5W 5% T
R49	RCFT-E683J-000	RESISTOR-CARBON FILM 68Kohm 1/5W 5% T
R50	RCFT-E221J-000	RESISTOR-CARBON FILM 220ohm 1/5W 5% T
R51	RCFT-E683J-000	RESISTOR-CARBON FILM 68Kohm 1/5W 5% T
R52	RCFT-E472J-000	RESISTOR-CARBON FILM 4.7Kohm 1/5W 5% T
R53	RCFT-E472J-000	RESISTOR-CARBON FILM 4.7Kohm 1/5W 5% T
R54	RCFT-E472J-000	RESISTOR-CARBON FILM 4.7Kohm 1/5W 5% T
R55	RCFT-E273J-000	RESISTOR-CARBON FILM 27Kohm 1/5W 5% T
R56	RCFT-E273J-000	RESISTOR-CARBON FILM 27Kohm 1/5W 5% T
R57	RCFT-E911J-000	RESISTOR-CARBON FILM 910ohm 1/5W 5% T
R58	RCFT-E302J-000	RESISTOR-CARBON FILM 3Kohm 1/5W 5% T
R59	RCFT-E242J-000	RESISTOR-CARBON FILM 2.4Kohm 1/5W 5% T
R60	RCFT-E222J-000	RESISTOR-CARBON FILM 2.2Kohm 1/5W 5% T
R61	RCFT-E390J-000	RESISTOR-CARBON FILM 39ohm 1/5W 5% T
R62	RMOR-H100J-0C0	RESISTOR-METAL OXIDE 10ohm 1W 5% ERG(X)1SJ100E
R63	RMOR-H100J-0C0	RESISTOR-METAL OXIDE 10ohm 1W 5% ERG(X)1SJ100E
R64	RMOR-H100J-0C0	RESISTOR-METAL OXIDE 10ohm 1W 5% ERG(X)1SJ100E
R65	RCFT-E822J-000	RESISTOR-CARBON FILM 8.2Kohm 1/5W 5% T
R66	RMOR-H100J-0C0	RESISTOR-METAL OXIDE 10ohm 1W 5% ERG(X)1SJ100E
R67	RMOR-H100J-0C0	RESISTOR-METAL OXIDE 10ohm 1W 5% ERG(X)1SJ100E
R68	RMOR-H100J-0C0	RESISTOR-METAL OXIDE 10ohm 1W 5% ERG(X)1SJ100E
R69	RMOR-H100J-0C0	RESISTOR-METAL OXIDE 10ohm 1W 5% ERG(X)1SJ100E
R70	RCFT-E103J-000	RESISTOR-CARBON FILM 10Kohm 1/5W 5% T
R71	RCFT-E472J-000	RESISTOR-CARBON FILM 4.7Kohm 1/5W 5% T
R72	RCFT-E103J-000	RESISTOR-CARBON FILM 10Kohm 1/5W 5% T
R73	RCFT-E472J-000	RESISTOR-CARBON FILM 4.7Kohm 1/5W 5% T
R74	RMOR-H100J-0C0	RESISTOR-METAL OXIDE 10ohm 1W 5% ERG(X)1SJ100E
R75	RMOR-H100J-0C0	RESISTOR-METAL OXIDE 10ohm 1W 5% ERG(X)1SJ100E
R76	RCFT-E391J-000	RESISTOR-CARBON FILM 390ohm 1/5W 5% T
R77	RCFT-E621J-000	RESISTOR-CARBON FILM 620ohm 1/5W 5% T
R78	RCFT-E391J-000	RESISTOR-CARBON FILM 390ohm 1/5W 5% T
R79	RCFT-E391J-000	RESISTOR-CARBON FILM 390ohm 1/5W 5% T
R80	RCFT-E621J-000	RESISTOR-CARBON FILM 620ohm 1/5W 5% T
R81	RCFT-E391J-000	RESISTOR-CARBON FILM 390ohm 1/5W 5% T
R82	RCFT-E103J-000	RESISTOR-CARBON FILM 10Kohm 1/5W 5% T
R83	RCFT-E472J-000	RESISTOR-CARBON FILM 4.7Kohm 1/5W 5% T
R84	RCFT-E181J-000	RESISTOR-CARBON FILM 180ohm 1/5W 5% T
R85	RCFT-E153J-000	RESISTOR-CARBON FILM 15Kohm 1/5W 5% T

REF NO.	PART NO.	DESCRIPTION
<b>MAIN PCB</b>		
R86	RCFT-E473J-000	RESISTOR-CARBON FILM 47Kohm 1/5W 5% T
R87	RCFT-E683J-000	RESISTOR-CARBON FILM 68Kohm 1/5W 5% T
R88	RCFT-E104J-000	RESISTOR-CARBON FILM 100Kohm 1/5W 5% T
R89	RCFT-E332J-000	RESISTOR-CARBON FILM 3.3Kohm 1/5W 5% T
R90	RCFT-E152J-000	RESISTOR-CARBON FILM 1.5Kohm 1/5W 5% T
R91	RCFT-E273J-000	RESISTOR-CARBON FILM 27Kohm 1/5W 5% T
R92	RCFT-E273J-000	RESISTOR-CARBON FILM 27Kohm 1/5W 5% T
R93	RCFT-E683J-000	RESISTOR-CARBON FILM 68Kohm 1/5W 5% T
R94	RCFT-E104J-000	RESISTOR-CARBON FILM 100Kohm 1/5W 5% T
R95	RCFT-E332J-000	RESISTOR-CARBON FILM 3.3Kohm 1/5W 5% T
R96	RCFT-E152J-000	RESISTOR-CARBON FILM 1.5Kohm 1/5W 5% T
R97	RCFT-E273J-000	RESISTOR-CARBON FILM 27Kohm 1/5W 5% T
R98	RCFT-E273J-000	RESISTOR-CARBON FILM 27Kohm 1/5W 5% T
R99	RCFT-E682J-000	RESISTOR-CARBON FILM 6.8Kohm 1/5W 5% T
R100	RCFT-E682J-000	RESISTOR-CARBON FILM 6.8Kohm 1/5W 5% T
R101	RCFT-E105J-000	RESISTOR-CARBON FILM 1Mohm 1/5W 5% T
R102	RCFT-E472J-000	RESISTOR-CARBON FILM 4.7Kohm 1/5W 5% T
R103	RCFT-E472J-000	RESISTOR-CARBON FILM 4.7Kohm 1/5W 5% T
R104	RCFT-E472J-000	RESISTOR-CARBON FILM 4.7Kohm 1/5W 5% T
R105	RCFT-E472J-000	RESISTOR-CARBON FILM 4.7Kohm 1/5W 5% T
R106	RCFT-E102J-000	RESISTOR-CARBON FILM 1Kohm 1/5W 5% T
R107	RCFT-E102J-000	RESISTOR-CARBON FILM 1Kohm 1/5W 5% T
R108	RCFT-E472J-000	RESISTOR-CARBON FILM 4.7Kohm 1/5W 5% T
R109	RCFT-E101J-000	RESISTOR-CARBON FILM 100ohm 1/5W 5% T
R110	RCFT-E101J-000	RESISTOR-CARBON FILM 100ohm 1/5W 5% T
R111	RCFT-E472J-000	RESISTOR-CARBON FILM 4.7Kohm 1/5W 5% T
R112	RCFT-E105J-000	RESISTOR-CARBON FILM 1Mohm 1/5W 5% T
R113	RCFT-E822J-000	RESISTOR-CARBON FILM 8.2Kohm 1/5W 5% T
R114	RCFT-E104J-000	RESISTOR-CARBON FILM 100Kohm 1/5W 5% T
R115	RCFT-E104J-000	RESISTOR-CARBON FILM 100Kohm 1/5W 5% T
R116	RCFT-E391J-000	RESISTOR-CARBON FILM 390ohm 1/5W 5% T
R117	RCFT-E621J-000	RESISTOR-CARBON FILM 620ohm 1/5W 5% T
R118	RCFT-E391J-000	RESISTOR-CARBON FILM 390ohm 1/5W 5% T
R119	RCFT-E391J-000	RESISTOR-CARBON FILM 390ohm 1/5W 5% T
R120	RCFT-E621J-000	RESISTOR-CARBON FILM 620ohm 1/5W 5% T
R121	RCFT-E391J-000	RESISTOR-CARBON FILM 390ohm 1/5W 5% T
R122	RCFT-E103J-000	RESISTOR-CARBON FILM 10Kohm 1/5W 5% T
R123	RCFT-E273J-000	RESISTOR-CARBON FILM 27Kohm 1/5W 5% T
R124	RCFT-E432J-000	RESISTOR-CARBON FILM 4.3Kohm 1/5W 5% T
R125	RCFT-E103J-000	RESISTOR-CARBON FILM 10Kohm 1/5W 5% T
R126	RCFT-E222J-000	RESISTOR-CARBON FILM 2.2Kohm 1/5W 5% T
R127	RCFT-E273J-000	RESISTOR-CARBON FILM 27Kohm 1/5W 5% T
R128	RCFT-E390J-000	RESISTOR-CARBON FILM 39ohm 1/5W 5% T
R129	RCFT-E153J-000	RESISTOR-CARBON FILM 15Kohm 1/5W 5% T
R130	RCFT-E472J-000	RESISTOR-CARBON FILM 4.7Kohm 1/5W 5% T
R131	RCFT-E472J-000	RESISTOR-CARBON FILM 4.7Kohm 1/5W 5% T
R132	RCFT-E472J-000	RESISTOR-CARBON FILM 4.7Kohm 1/5W 5% T
R133	RCFT-E472J-000	RESISTOR-CARBON FILM 4.7Kohm 1/5W 5% T
RLY1	ESRY-00400-110	RELAY DS2SU DS24D2-OS(M)
RLY2	ESRY-00400-110	RELAY DS2SU DS24D2-OS(M)
RLY3	ESRY-00220-12K	RELAY RSB-12-S
SW1	SWSL-01010-098	SWITCH-SLIDE SSAF123NB011 30V 0.1A
SW2	SWSL-01010-098	SWITCH-SLIDE SSAF123NB011 30V 0.1A
SW3	SWSL-01000-098	SLIDE SWITCH SSAF122NB
TERMINAL	TESP-00191-08S	TERMINAL SPEAKER B3089009G

REF NO.	PART NO.	DESCRIPTION	
<b>MAIN PCB</b>			
VOL1	VRBE-D033B-503	VR-ROTARY	RK14K12B020653B 50KBx2
VOL2	VRBE-D033B-503	VR-ROTARY	RK14K12B020653B 50KBx2
X1	KTRE-00171-042	RESONATOR	CST4.19MGW-TF01
	MEAC-16960-004	RADIATOR-IC	AL
	MMAC-12060-004	TERMINAL-GND	
	XSTB-30080-ZB4	SCREW-TAPPING	BHT2T 3x8 FE-ZB
<b>AMP PCB</b>			
C301	CACS-S472M-200	CAPACITOR AC	KH DE1310E 472M 250V P10mr
C401	CEET-F220M-CI0	CAPACITOR E/ALUMINUM	22uF M 25V 5x11 T
C402	CCTT-J680J-0BZ	CAPACITOR CERAMIC	68PF J 50V SL T
C403	CCAT-J681K-AAB	CAPACITOR CERAMIC	680PF K 50V B T
C407	CEET-J100M-CI0	CAPACITOR E/ALUMINUM	10uF M 50V 5x11 T
C408	CEET-J4R7M-CI0	CAPACITOR E/ALUMINUM	4.7uF M 50V 5x11 T
C409	CEET-J100M-CI0	CAPACITOR E/ALUMINUM	10uF M 50V 5x11 T
C410	CEET-E331M-FI0	CAPACITOR E/ALUMINUM	330uF M 16V 8x11.5 T
C411	CEET-J331M-HL1	CAPACITOR E/ALUMINUM	330uF M 50V 10x16 SHL T
C412	CEET-J331M-HL1	CAPACITOR E/ALUMINUM	330uF M 50V 10x16 SHL T
C413	CCAT-J120J-AAC	CAPACITOR CERAMIC	12PF J 50V C T
C414	CFMT-L334J-EGN	CAPACITOR F/POLYESTR	EB 0.33uF J 50V 7.2x9.5 T
C415	CFMT-L334J-EGN	CAPACITOR F/POLYESTR	EB 0.33uF J 50V 7.2x9.5 T
C416	CCAT-J151K-AAB	CAPACITOR CERAMIC	150PF K 50V B T
C451	CEET-F220M-CI0	CAPACITOR E/ALUMINUM	22uF M 25V 5x11 T
C452	CCTT-J680J-0BZ	CAPACITOR CERAMIC	68PF J 50V SL T
C453	CCAT-J681K-AAB	CAPACITOR CERAMIC	680PF K 50V B T
C457	CEET-J100M-CI0	CAPACITOR E/ALUMINUM	10uF M 50V 5x11 T
C458	CEET-J4R7M-CI0	CAPACITOR E/ALUMINUM	4.7uF M 50V 5x11 T
C459	CEET-J100M-CI0	CAPACITOR E/ALUMINUM	10uF M 50V 5x11 T
C460	CEET-E331M-FI0	CAPACITOR E/ALUMINUM	330uF M 16V 8x11.5 T
C461	CEET-J331M-HL1	CAPACITOR E/ALUMINUM	330uF M 50V 10x16 SHL T
C462	CEET-J331M-HL1	CAPACITOR E/ALUMINUM	330uF M 50V 10x16 SHL T
C463	CCAT-J120J-AAC	CAPACITOR CERAMIC	12PF J 50V C T
C464	CFMT-L334J-EGN	CAPACITOR F/POLYESTR	EB 0.33uF J 50V 7.2x9.5 T
C465	CFMT-L334J-EGN	CAPACITOR F/POLYESTR	EB 0.33uF J 50V 7.2x9.5 T
C466	CCAT-J151K-AAB	CAPACITOR CERAMIC	150PF K 50V B T
C501	CEET-F220M-CI0	CAPACITOR E/ALUMINUM	22uF M 25V 5x11 T
C502	CCTT-J680J-0BZ	CAPACITOR CERAMIC	68PF J 50V SL T
C503	CCAT-J681K-AAB	CAPACITOR CERAMIC	680PF K 50V B T
C507	CEET-J100M-CI0	CAPACITOR E/ALUMINUM	10uF M 50V 5x11 T
C508	CEET-J4R7M-CI0	CAPACITOR E/ALUMINUM	4.7uF M 50V 5x11 T
C509	CEET-J100M-CI0	CAPACITOR E/ALUMINUM	10uF M 50V 5x11 T
C510	CEET-E331M-FI0	CAPACITOR E/ALUMINUM	330uF M 16V 8x11.5 T
C511	CEET-J331M-HL1	CAPACITOR E/ALUMINUM	330uF M 50V 10x16 SHL T
C512	CEET-J331M-HL1	CAPACITOR E/ALUMINUM	330uF M 50V 10x16 SHL T
C513	CCAT-J120J-AAC	CAPACITOR CERAMIC	12PF J 50V C T
C514	CFMT-L334J-EGN	CAPACITOR F/POLYESTR	EB 0.33uF J 50V 7.2x9.5 T
C515	CFMT-L334J-EGN	CAPACITOR F/POLYESTR	EB 0.33uF J 50V 7.2x9.5 T
C516	CCAT-J151K-AAB	CAPACITOR CERAMIC	150PF K 50V B T
C551	CEET-F220M-CI0	CAPACITOR E/ALUMINUM	22uF M 25V 5x11 T
C552	CCTT-J680J-0BZ	CAPACITOR CERAMIC	68PF J 50V SL T
C553	CCAT-J681K-AAB	CAPACITOR CERAMIC	680PF K 50V B T
C557	CEET-J100M-CI0	CAPACITOR E/ALUMINUM	10uF M 50V 5x11 T
C558	CEET-J4R7M-CI0	CAPACITOR E/ALUMINUM	4.7uF M 50V 5x11 T
C559	CEET-J100M-CI0	CAPACITOR E/ALUMINUM	10uF M 50V 5x11 T
C560	CEET-E331M-FI0	CAPACITOR E/ALUMINUM	330uF M 16V 8x11.5 T

REF NO.	PART NO.	DESCRIPTION	
<b>AMP PCB</b>			
C561	CEET-J331M-HL1	CAPACITOR E/ALUMINUM	330uF M 50V 10x16 SHL T
C562	CEET-J331M-HL1	CAPACITOR E/ALUMINUM	330uF M 50V 10x16 SHL T
C563	CCAT-J120J-AAC	CAPACITOR CERAMIC	12PF J 50V C T
C564	CFMT-L334J-EGN	CAPACITOR F/POLYESTR	EB 0.33uF J 50V 7.2x9.5 T
C565	CFMT-L334J-EGN	CAPACITOR F/POLYESTR	EB 0.33uF J 50V 7.2x9.5 T
C566	CCAT-J151K-AAB	CAPACITOR CERAMIC	150PF K 50V B T
D401	DDTS-00070-SO0	DIODE-SI	1SS133 (40V 0.11A) DO-40 T
D402	DDTS-00070-SO0	DIODE-SI	1SS133 (40V 0.11A) DO-40 T
D403	DDTS-00070-SO0	DIODE-SI	1SS133 (40V 0.11A) DO-40 T
D451	DDTS-00070-SO0	DIODE-SI	1SS133 (40V 0.11A) DO-40 T
D452	DDTS-00070-SO0	DIODE-SI	1SS133 (40V 0.11A) DO-40 T
D453	DDTS-00070-SO0	DIODE-SI	1SS133 (40V 0.11A) DO-40 T
D501	DDTS-00070-SO0	DIODE-SI	1SS133 (40V 0.11A) DO-40 T
D502	DDTS-00070-SO0	DIODE-SI	1SS133 (40V 0.11A) DO-40 T
D503	DDTS-00070-SO0	DIODE-SI	1SS133 (40V 0.11A) DO-40 T
D504	DDTZ-G120B-SO0	DIODE ZENER	MTZ12B 11.44-12.03 DO40 T
D505	DDTZ-G120B-SO0	DIODE ZENER	MTZ12B 11.44-12.03 DO40 T
D506	DDTZ-G120B-SO0	DIODE ZENER	MTZ12B 11.44-12.03 DO40 T
D507	DDTZ-G120B-SO0	DIODE ZENER	MTZ12B 11.44-12.03 DO40 T
D551	DDTS-00070-SO0	DIODE-SI	1SS133 (40V 0.11A) DO-40 T
D552	DDTS-00070-SO0	DIODE-SI	1SS133 (40V 0.11A) DO-40 T
D553	DDTS-00070-SO0	DIODE-SI	1SS133 (40V 0.11A) DO-40 T
D554	DDTZ-G120B-SO0	DIODE ZENER	MTZ12B 11.44-12.03 DO40 T
D555	DDTZ-G120B-SO0	DIODE ZENER	MTZ12B 11.44-12.03 DO40 T
D556	DDTZ-G120B-SO0	DIODE ZENER	MTZ12B 11.44-12.03 DO40 T
D557	DDTZ-G120B-SO0	DIODE ZENER	MTZ12B 11.44-12.03 DO40 T
LD401	DPLT-00820-RR3	DOT-LED	LTL-1CHP-001 RED R3.1PI
LD402	DPLT-00820-RR3	DOT-LED	LTL-1CHP-001 RED R3.1PI
LD403	DPLT-00881-YY3	DOT-LED	LTL-1CHYE-011
LD404	DPLT-00881-YY3	DOT-LED	LTL-1CHYE-011
LD405	DPLT-00882-GG3	DOT-LED	LTL-1CHG-011
LD406	DPLT-00882-GG3	DOT-LED	LTL-1CHG-011
LD501	DPLT-00820-RR3	DOT-LED	LTL-1CHP-001 RED R3.1PI
LD502	DPLT-00820-RR3	DOT-LED	LTL-1CHP-001 RED R3.1PI
LD503	DPLT-00881-YY3	DOT-LED	LTL-1CHYE-011
LD504	DPLT-00881-YY3	DOT-LED	LTL-1CHYE-011
LD505	DPLT-00882-GG3	DOT-LED	LTL-1CHG-011
LD506	DPLT-00882-GG3	DOT-LED	LTL-1CHG-011
CP8	KNCW-00990-2T9	CONNECTOR-WAFER	JE202A-1T-02
CP9	KNCW-00990-2T9	CONNECTOR-WAFER	JE202A-1T-02
CP10	KNCW-00980-2S9	CONNECTOR-WAFER	JE202A-2T-2P
L401	KIBK-00190-E40	COIL-AUDIO CHOCK	0.7uH COIL-CHOCK
L451	KIBK-00190-E40	COIL-AUDIO CHOCK	0.7uH COIL-CHOCK
L501	KIBK-00190-E40	COIL-AUDIO CHOCK	0.7uH COIL-CHOCK
L551	KIBK-00190-E40	COIL-AUDIO CHOCK	0.7uH COIL-CHOCK
	MMAC-12060-004	TERMINAL-GND	
FC301	MPAC-11620-004	FUSE CLIP	5.2Pi TAPPING TYPE
FC302	MPAC-11620-004	FUSE CLIP	5.2Pi TAPPING TYPE
	MRAG-14020-004	CUSHION-A	EVA 65 10X20X2.5T
CW1	UD08-3M715-250	WIRE-ASS'Y	1007#26 ORG 150 13P
CW10	U345-21323-450	WIRE-ASS'Y	1007#18 RED 230 3P
CW2	UM45-41039-000	WIRE-ASS'Y	1007#18 BLK 280 4P
CW3	U445-31309-450	WIRE-ASS'Y	1007#18 ORG 90 4P
CW4	U708-6M738-250	WIRE-ASS'Y	1007#26 BLU 380 7P
MPR401	RMFS-LR27J-0J0	RESISTOR-METAL PLATE	0.27ohm 5W 5% MPR-55R



REF NO.	PART NO.	DESCRIPTION		
<b>AMP PCB</b>				
MPR451	RMFS-LR27J-0J0	RESISTOR-METAL PLATE	0.27ohm 5W 5% MPR-55R	
MPR501	RMFS-LR27J-0J0	RESISTOR-METAL PLATE	0.27ohm 5W 5% MPR-55R	
MPR551	RMFS-LR27J-0J0	RESISTOR-METAL PLATE	0.27ohm 5W 5% MPR-55R	
PCB1	PCSA-05570-11B	PCB-SINGLE	A1A-557 330x247x1.6t	
Q401	TRTA-0011G-SD0	TRANSISTOR P-H FREQ	KTA1268-GR	TO92
Q402	TRTA-0011G-SD0	TRANSISTOR P-H FREQ	KTA1268-GR	TO92
Q403	TRTA-0011G-SD0	TRANSISTOR P-H FREQ	KTA1268-GR	TO92
Q404	TRTA-0011G-SD0	TRANSISTOR P-H FREQ	KTA1268-GR	TO92
Q405	TRTC-0015G-SD0	TRANSISTOR N-H FREQ	KTC3200-GR	TO92
Q406	TRTC-0015G-SD0	TRANSISTOR N-H FREQ	KTC3200-GR	TO92
Q407	TRTA-0011G-SD0	TRANSISTOR P-H FREQ	KTA1268-GR	TO92
Q408	TRTC-0087Y-SD0	TRANSISTOR N-H FREQ	KTC3206-Y	TO92L
Q410	TRTA-0013Y-SD0	TRANSISTOR N-H FREQ	KTA1024-Y	
Q411	TRSC-01540-SJ0	TRANSISTOR N-H FREQ	2SC4883A	
Q412	TRSA-01450-SJ0	TRANSISTOR N-H FREQ	2SA1859A	
Q415	TRTC-0015G-SD0	TRANSISTOR N-H FREQ	KTC3200-GR	TO92
Q416	TRTC-01700-SD0	TRANSISTOR N-H FREQ	KRC107M W/RESIST	TO92M
Q451	TRTA-0011G-SD0	TRANSISTOR P-H FREQ	KTA1268-GR	TO92
Q452	TRTA-0011G-SD0	TRANSISTOR P-H FREQ	KTA1268-GR	TO92
Q453	TRTA-0011G-SD0	TRANSISTOR P-H FREQ	KTA1268-GR	TO92
Q454	TRTA-0011G-SD0	TRANSISTOR P-H FREQ	KTA1268-GR	TO92
Q455	TRTC-0015G-SD0	TRANSISTOR N-H FREQ	KTC3200-GR	TO92
Q456	TRTC-0015G-SD0	TRANSISTOR N-H FREQ	KTC3200-GR	TO92
Q457	TRTA-0011G-SD0	TRANSISTOR P-H FREQ	KTA1268-GR	TO92
Q458	TRTC-0087Y-SD0	TRANSISTOR N-H FREQ	KTC3206-Y	TO92L
Q460	TRTA-0013Y-SD0	TRANSISTOR N-H FREQ	KTA1024-Y	
Q461	TRSC-01540-SJ0	TRANSISTOR N-H FREQ	2SC4883A	
Q462	TRSA-01450-SJ0	TRANSISTOR N-H FREQ	2SA1859A	
Q465	TRTC-0015G-SD0	TRANSISTOR N-H FREQ	KTC3200-GR	TO92
Q501	TRTA-0011G-SD0	TRANSISTOR P-H FREQ	KTA1268-GR	TO92
Q502	TRTA-0011G-SD0	TRANSISTOR P-H FREQ	KTA1268-GR	TO92
Q503	TRTA-0011G-SD0	TRANSISTOR P-H FREQ	KTA1268-GR	TO92
Q504	TRTA-0011G-SD0	TRANSISTOR P-H FREQ	KTA1268-GR	TO92
Q505	TRTC-0015G-SD0	TRANSISTOR N-H FREQ	KTC3200-GR	TO92
Q506	TRTC-0015G-SD0	TRANSISTOR N-H FREQ	KTC3200-GR	TO92
Q507	TRTA-0011G-SD0	TRANSISTOR P-H FREQ	KTA1268-GR	TO92
Q508	TRTC-0087Y-SD0	TRANSISTOR N-H FREQ	KTC3206-Y	TO92L
Q510	TRTA-0013Y-SD0	TRANSISTOR N-H FREQ	KTA1024-Y	
Q511	TRSC-01540-SJ0	TRANSISTOR N-H FREQ	2SC4883A	
Q512	TRSA-01450-SJ0	TRANSISTOR N-H FREQ	2SA1859A	
Q515	TRTC-0015G-SD0	TRANSISTOR N-H FREQ	KTC3200-GR	TO92
Q516	TRTC-01700-SD0	TRANSISTOR N-H FREQ	KRC107M W/RESIST	TO92M
Q517	TRTC-01700-SD0	TRANSISTOR N-H FREQ	KRC107M W/RESIST	TO92M
Q518	TRTA-0011G-SD0	TRANSISTOR P-H FREQ	KTA1268-GR	TO92
Q519	TRSC-01540-SJ0	TRANSISTOR N-H FREQ	2SC4883A	
Q520	TRSA-01450-SJ0	TRANSISTOR N-H FREQ	2SA1859A	
Q551	TRTA-0011G-SD0	TRANSISTOR P-H FREQ	KTA1268-GR	TO92
Q552	TRTA-0011G-SD0	TRANSISTOR P-H FREQ	KTA1268-GR	TO92
Q553	TRTA-0011G-SD0	TRANSISTOR P-H FREQ	KTA1268-GR	TO92
Q554	TRTA-0011G-SD0	TRANSISTOR P-H FREQ	KTA1268-GR	TO92
Q555	TRTC-0015G-SD0	TRANSISTOR N-H FREQ	KTC3200-GR	TO92
Q556	TRTC-0015G-SD0	TRANSISTOR N-H FREQ	KTC3200-GR	TO92
Q557	TRTA-0011G-SD0	TRANSISTOR P-H FREQ	KTA1268-GR	TO92
Q558	TRTC-0087Y-SD0	TRANSISTOR N-H FREQ	KTC3206-Y	TO92L
Q560	TRTA-0013Y-SD0	TRANSISTOR N-H FREQ	KTA1024-Y	

REF NO.	PART NO.	DESCRIPTION	
<b>AMP PCB</b>			
Q561	TRSC-01540-SJ0	TRANSISTOR N-H FREQ	2SC4883A
Q562	TRSA-01450-SJ0	TRANSISTOR N-H FREQ	2SA1859A
Q565	TRTC-0015G-SD0	TRANSISTOR N-H FREQ	KTC3200-GR TO92
Q567	TRTC-01700-SD0	TRANSISTOR N-H FREQ	KRC107M W/RESIST TO92M
Q568	TRTA-0011G-SD0	TRANSISTOR P-H FREQ	KTA1268-GR TO92
Q569	TRSC-01540-SJ0	TRANSISTOR N-H FREQ	2SC4883A
Q570	TRSA-01450-SJ0	TRANSISTOR N-H FREQ	2SA1859A
R401	RCFT-E102J-000	RESISTOR-CARBON FILM	1Kohm 1/5W 5% T
R402	RCFT-E333J-000	RESISTOR-CARBON FILM	33Kohm 1/5W 5% T
R403	RCFT-E150J-000	RESISTOR-CARBON FILM	15ohm 1/5W 5% T
R404	RCFT-E150J-000	RESISTOR-CARBON FILM	15ohm 1/5W 5% T
R405	RCFT-E680J-000	RESISTOR-CARBON FILM	68ohm 1/5W 5% T
R406	RCFT-E151J-000	RESISTOR-CARBON FILM	150ohm 1/5W 5% T
R408	RCFT-E333J-000	RESISTOR-CARBON FILM	33Kohm 1/5W 5% T
R409	RCFT-E751J-000	RESISTOR-CARBON FILM	750ohm 1/5W 5% T
R410	RCFT-E751J-000	RESISTOR-CARBON FILM	750ohm 1/5W 5% T
R411	RCFT-E391J-000	RESISTOR-CARBON FILM	390ohm 1/5W 5% T
R412	RCFT-E561J-000	RESISTOR-CARBON FILM	560ohm 1/5W 5% T
R413	RCFT-E561J-000	RESISTOR-CARBON FILM	560ohm 1/5W 5% T
R414	RCFT-F820J-010	RESISTOR-CARBON FILM	82ohm 1/4W 5% T
R415	RCFT-E561J-000	RESISTOR-CARBON FILM	560ohm 1/5W 5% T
R416	RCFT-E561J-000	RESISTOR-CARBON FILM	560ohm 1/5W 5% T
R417	RCFT-E472J-000	RESISTOR-CARBON FILM	4.7Kohm 1/5W 5% T
R418	RCFT-E561J-000	RESISTOR-CARBON FILM	560ohm 1/5W 5% T
R419	RCFT-F820J-010	RESISTOR-CARBON FILM	82ohm 1/4W 5% T
R420	RCFT-E472J-000	RESISTOR-CARBON FILM	4.7Kohm 1/5W 5% T
R421	RCFT-E223J-000	RESISTOR-CARBON FILM	22Kohm 1/5W 5% T
R422	RCFT-E223J-000	RESISTOR-CARBON FILM	22Kohm 1/5W 5% T
R423	RCFT-E821J-000	RESISTOR-CARBON FILM	820ohm 1/5W 5% T
R424	RCFT-E821J-000	RESISTOR-CARBON FILM	820ohm 1/5W 5% T
R425	RCFT-E122J-000	RESISTOR-CARBON FILM	1.2Kohm 1/5W 5% T
R426	RCFT-E820J-000	RESISTOR-CARBON FILM	82ohm 1/5W 5% T
R427	RCFT-E182J-000	RESISTOR-CARBON FILM	1.8Kohm 1/5W 5% T
R428	RCFT-E202J-000	RESISTOR-CARBON FILM	2Kohm 1/5W 5% T
R429	RCFT-E911J-000	RESISTOR-CARBON FILM	910ohm 1/5W 5% T
R430	RCFT-E682J-000	RESISTOR-CARBON FILM	6.8Kohm 1/5W 5% T
R431	RMOR-H100J-0C0	RESISTOR-METAL OXIDE	10ohm 1W 5% ERG(X)1SJ100E
R436	RCFT-E333J-000	RESISTOR-CARBON FILM	33Kohm 1/5W 5% T
R437	RCFT-E182J-000	RESISTOR-CARBON FILM	1.8Kohm 1/5W 5% T
R438	RMOH-H330J-100	RESISTOR-METAL OXIDE	PR01 1W 33ohm 5% R-SHAPE
R439	RMOH-H330J-100	RESISTOR-METAL OXIDE	PR01 1W 33ohm 5% R-SHAPE
R440	RCFT-E334J-000	RESISTOR-CARBON FILM	330Kohm 1/5W 5% T
R451	RCFT-E102J-000	RESISTOR-CARBON FILM	1Kohm 1/5W 5% T
R452	RCFT-E333J-000	RESISTOR-CARBON FILM	33Kohm 1/5W 5% T
R453	RCFT-E150J-000	RESISTOR-CARBON FILM	15ohm 1/5W 5% T
R454	RCFT-E150J-000	RESISTOR-CARBON FILM	15ohm 1/5W 5% T
R455	RCFT-E680J-000	RESISTOR-CARBON FILM	68ohm 1/5W 5% T
R456	RCFT-E151J-000	RESISTOR-CARBON FILM	150ohm 1/5W 5% T
R458	RCFT-E333J-000	RESISTOR-CARBON FILM	33Kohm 1/5W 5% T
R459	RCFT-E751J-000	RESISTOR-CARBON FILM	750ohm 1/5W 5% T
R460	RCFT-E751J-000	RESISTOR-CARBON FILM	750ohm 1/5W 5% T
R461	RCFT-E391J-000	RESISTOR-CARBON FILM	390ohm 1/5W 5% T
R462	RCFT-E561J-000	RESISTOR-CARBON FILM	560ohm 1/5W 5% T
R463	RCFT-E561J-000	RESISTOR-CARBON FILM	560ohm 1/5W 5% T
R464	RCFT-F820J-010	RESISTOR-CARBON FILM	82ohm 1/4W 5% T

REF NO.	PART NO.	DESCRIPTION
<b>AMP PCB</b>		
R465	RCFT-E561J-000	RESISTOR-CARBON FILM 560ohm 1/5W 5% T
R466	RCFT-E561J-000	RESISTOR-CARBON FILM 560ohm 1/5W 5% T
R467	RCFT-E472J-000	RESISTOR-CARBON FILM 4.7Kohm 1/5W 5% T
R468	RCFT-E561J-000	RESISTOR-CARBON FILM 560ohm 1/5W 5% T
R469	RCFT-F820J-010	RESISTOR-CARBON FILM 82ohm 1/4W 5% T
R470	RCFT-E472J-000	RESISTOR-CARBON FILM 4.7Kohm 1/5W 5% T
R471	RCFT-E223J-000	RESISTOR-CARBON FILM 22Kohm 1/5W 5% T
R472	RCFT-E223J-000	RESISTOR-CARBON FILM 22Kohm 1/5W 5% T
R473	RCFT-E821J-000	RESISTOR-CARBON FILM 820ohm 1/5W 5% T
R474	RCFT-E821J-000	RESISTOR-CARBON FILM 820ohm 1/5W 5% T
R475	RCFT-E122J-000	RESISTOR-CARBON FILM 1.2Kohm 1/5W 5% T
R476	RCFT-E820J-000	RESISTOR-CARBON FILM 82ohm 1/5W 5% T
R477	RCFT-E182J-000	RESISTOR-CARBON FILM 1.8Kohm 1/5W 5% T
R478	RCFT-E202J-000	RESISTOR-CARBON FILM 2Kohm 1/5W 5% T
R479	RCFT-E911J-000	RESISTOR-CARBON FILM 910ohm 1/5W 5% T
R480	RCFT-E682J-000	RESISTOR-CARBON FILM 6.8Kohm 1/5W 5% T
R481	RMOR-H100J-0C0	RESISTOR-METAL OXIDE 10ohm 1W 5% ERG(X)1SJ100E
R486	RCFT-E333J-000	RESISTOR-CARBON FILM 33Kohm 1/5W 5% T
R487	RCFT-E182J-000	RESISTOR-CARBON FILM 1.8Kohm 1/5W 5% T
R488	RMOH-H330J-100	RESISTOR-METAL OXIDE PR01 1W 33ohm 5% R-SHAPE
R489	RMOH-H330J-100	RESISTOR-METAL OXIDE PR01 1W 33ohm 5% R-SHAPE
R501	RCFT-E102J-000	RESISTOR-CARBON FILM 1Kohm 1/5W 5% T
R502	RCFT-E333J-000	RESISTOR-CARBON FILM 33Kohm 1/5W 5% T
R503	RCFT-E150J-000	RESISTOR-CARBON FILM 15ohm 1/5W 5% T
R504	RCFT-E150J-000	RESISTOR-CARBON FILM 15ohm 1/5W 5% T
R505	RCFT-E680J-000	RESISTOR-CARBON FILM 68ohm 1/5W 5% T
R506	RCFT-E151J-000	RESISTOR-CARBON FILM 150ohm 1/5W 5% T
R508	RCFT-E333J-000	RESISTOR-CARBON FILM 33Kohm 1/5W 5% T
R509	RCFT-E751J-000	RESISTOR-CARBON FILM 750ohm 1/5W 5% T
R510	RCFT-E751J-000	RESISTOR-CARBON FILM 750ohm 1/5W 5% T
R511	RCFT-E391J-000	RESISTOR-CARBON FILM 390ohm 1/5W 5% T
R512	RCFT-E561J-000	RESISTOR-CARBON FILM 560ohm 1/5W 5% T
R513	RCFT-E561J-000	RESISTOR-CARBON FILM 560ohm 1/5W 5% T
R514	RCFT-F820J-010	RESISTOR-CARBON FILM 82ohm 1/4W 5% T
R515	RCFT-E561J-000	RESISTOR-CARBON FILM 560ohm 1/5W 5% T
R516	RCFT-E561J-000	RESISTOR-CARBON FILM 560ohm 1/5W 5% T
R517	RCFT-E472J-000	RESISTOR-CARBON FILM 4.7Kohm 1/5W 5% T
R518	RCFT-E561J-000	RESISTOR-CARBON FILM 560ohm 1/5W 5% T
R519	RCFT-F820J-010	RESISTOR-CARBON FILM 82ohm 1/4W 5% T
R520	RCFT-E472J-000	RESISTOR-CARBON FILM 4.7Kohm 1/5W 5% T
R521	RCFT-E223J-000	RESISTOR-CARBON FILM 22Kohm 1/5W 5% T
R522	RCFT-E223J-000	RESISTOR-CARBON FILM 22Kohm 1/5W 5% T
R523	RCFT-E821J-000	RESISTOR-CARBON FILM 820ohm 1/5W 5% T
R524	RCFT-E821J-000	RESISTOR-CARBON FILM 820ohm 1/5W 5% T
R525	RCFT-E122J-000	RESISTOR-CARBON FILM 1.2Kohm 1/5W 5% T
R526	RCFT-E820J-000	RESISTOR-CARBON FILM 82ohm 1/5W 5% T
R527	RCFT-E182J-000	RESISTOR-CARBON FILM 1.8Kohm 1/5W 5% T
R528	RCFT-E202J-000	RESISTOR-CARBON FILM 2Kohm 1/5W 5% T
R529	RCFT-E911J-000	RESISTOR-CARBON FILM 910ohm 1/5W 5% T
R530	RCFT-E682J-000	RESISTOR-CARBON FILM 6.8Kohm 1/5W 5% T
R531	RMOR-H100J-0C0	RESISTOR-METAL OXIDE 10ohm 1W 5% ERG(X)1SJ100E
R536	RCFT-E333J-000	RESISTOR-CARBON FILM 33Kohm 1/5W 5% T
R537	RCFT-E182J-000	RESISTOR-CARBON FILM 1.8Kohm 1/5W 5% T
R538	RMOH-H330J-100	RESISTOR-METAL OXIDE PR01 1W 33ohm 5% R-SHAPE
R539	RMOH-H330J-100	RESISTOR-METAL OXIDE PR01 1W 33ohm 5% R-SHAPE

REF NO.	PART NO.	DESCRIPTION
<b>AMP PCB</b>		
R540	RCFT-E334J-000	RESISTOR-CARBON FILM 330Kohm 1/5W 5% T
R541	RCFT-G152J-190	RESISTOR-CARBON FILM 1.5Kohm 1/2W 5% 2.3x6.5 T
R542	RCFT-G152J-190	RESISTOR-CARBON FILM 1.5Kohm 1/2W 5% 2.3x6.5 T
R543	RCFT-E225J-000	RESISTOR-CARBON FILM 2.2Mohm 1/5W 5% T
R551	RCFT-E102J-000	RESISTOR-CARBON FILM 1Kohm 1/5W 5% T
R552	RCFT-E333J-000	RESISTOR-CARBON FILM 33Kohm 1/5W 5% T
R553	RCFT-E150J-000	RESISTOR-CARBON FILM 15ohm 1/5W 5% T
R554	RCFT-E150J-000	RESISTOR-CARBON FILM 15ohm 1/5W 5% T
R555	RCFT-E680J-000	RESISTOR-CARBON FILM 68ohm 1/5W 5% T
R556	RCFT-E151J-000	RESISTOR-CARBON FILM 150ohm 1/5W 5% T
R558	RCFT-E333J-000	RESISTOR-CARBON FILM 33Kohm 1/5W 5% T
R559	RCFT-E751J-000	RESISTOR-CARBON FILM 750ohm 1/5W 5% T
R560	RCFT-E751J-000	RESISTOR-CARBON FILM 750ohm 1/5W 5% T
R561	RCFT-E391J-000	RESISTOR-CARBON FILM 390ohm 1/5W 5% T
R562	RCFT-E561J-000	RESISTOR-CARBON FILM 560ohm 1/5W 5% T
R563	RCFT-E561J-000	RESISTOR-CARBON FILM 560ohm 1/5W 5% T
R564	RCFT-F820J-010	RESISTOR-CARBON FILM 82ohm 1/4W 5% T
R565	RCFT-E561J-000	RESISTOR-CARBON FILM 560ohm 1/5W 5% T
R566	RCFT-E561J-000	RESISTOR-CARBON FILM 560ohm 1/5W 5% T
R567	RCFT-E472J-000	RESISTOR-CARBON FILM 4.7Kohm 1/5W 5% T
R568	RCFT-E561J-000	RESISTOR-CARBON FILM 560ohm 1/5W 5% T
R569	RCFT-F820J-010	RESISTOR-CARBON FILM 82ohm 1/4W 5% T
R570	RCFT-E472J-000	RESISTOR-CARBON FILM 4.7Kohm 1/5W 5% T
R571	RCFT-E223J-000	RESISTOR-CARBON FILM 22Kohm 1/5W 5% T
R572	RCFT-E223J-000	RESISTOR-CARBON FILM 22Kohm 1/5W 5% T
R573	RCFT-E821J-000	RESISTOR-CARBON FILM 820ohm 1/5W 5% T
R574	RCFT-E821J-000	RESISTOR-CARBON FILM 820ohm 1/5W 5% T
R575	RCFT-E122J-000	RESISTOR-CARBON FILM 1.2Kohm 1/5W 5% T
R576	RCFT-E820J-000	RESISTOR-CARBON FILM 82ohm 1/5W 5% T
R577	RCFT-E182J-000	RESISTOR-CARBON FILM 1.8Kohm 1/5W 5% T
R578	RCFT-E202J-000	RESISTOR-CARBON FILM 2Kohm 1/5W 5% T
R579	RCFT-E911J-000	RESISTOR-CARBON FILM 910ohm 1/5W 5% T
R580	RCFT-E682J-000	RESISTOR-CARBON FILM 6.8Kohm 1/5W 5% T
R581	RMOR-H100J-0C0	RESISTOR-METAL OXIDE 10ohm 1W 5% ERG(X)1SJ100E
R586	RCFT-E333J-000	RESISTOR-CARBON FILM 33Kohm 1/5W 5% T
R587	RCFT-E182J-000	RESISTOR-CARBON FILM 1.8Kohm 1/5W 5% T
R588	RMOH-H330J-100	RESISTOR-METAL OXIDE PR01 1W 33ohm 5% R-SHAPE
R589	RMOH-H330J-100	RESISTOR-METAL OXIDE PR01 1W 33ohm 5% R-SHAPE
R591	RCFT-G152J-190	RESISTOR-CARBON FILM 1.5Kohm 1/2W 5% 2.3x6.5 T
R592	RCFT-G152J-190	RESISTOR-CARBON FILM 1.5Kohm 1/2W 5% 2.3x6.5 T
R593	RCFT-E225J-000	RESISTOR-CARBON FILM 2.2Mohm 1/5W 5% T
S301	SWPU-00591-059	SWITCH-PUSH SDDL13300
	SKAO-00250-000	AC INLET PWI1908-G

REF NO.	PART NO.	DESCRIPTION	
<b>ASSY SUB</b>			
	ZBNG-00400-0ZL	BOND-ADHESIVE	SC-306
	ZBNG-01300-5ZL	LOCKER-SCREW	#1401B
<b>ASSY MECHA</b>			
AC-CORD1	KDAC-0580D-WGU	AC POWER CORD SET	AC125V/13A 2BL POL UL/CSA
CF1	LLA3-18161-000	CARD CABLE	18/160 1.25mm
CF2	LLA3-22101-000	CARD CABLE	22/100 1.25mm
CF3	LLA3-22101-000	CARD CABLE	22/100 1.25mm
F1	FGFB-O8002-831	FUSE GLASS	8A 125V 5x20 U/C SB
F2	FGFB-O8002-831	FUSE GLASS	8A 125V 5x20 U/C SB
F3	FGFB-O2002-831	FUSE GLASS	2A 125V 51S
F4	FGFB-O2002-831	FUSE GLASS	2A 125V 51S
F5	FGFB-O2002-831	FUSE GLASS	2A 125V 51S
F6	FGFB-O8001-831	FUSE GLASS	800mA 125V 51S
F7	FGFB-O2002-831	FUSE GLASS	2A 125V 51S
F8	FGFB-O2002-831	FUSE GLASS	2A 125V 51S
F-C1	KORF-00010-000	FERRITE CORE	TR22-12.7 G5B
FH1	F2BA-00060-SAU	FUSE HOLDER	FH-02A
FH2	F2BA-00060-SAU	FUSE HOLDER	FH-02A
	MAAF-17250-014	LENS-POWER	PA-2000 PMMA 60N (HI-8
	MAAF-17930-004	PLATE-BACK	(PVC 1.0T)
	MEAC-05120-002	RADIATOR-MAIN	A6063 T-5+AL
	MEAF-06730-011	PANEL-FRONT	PA-4000 A6063
	MGAG-14230-004	FELT-PROTECTOR	FELT 1.0T
	MJAC-17260-014	SUPPORT PCB-L	PA-4000 ABS
	MJAC-17270-014	SUPPORT PCB-S	PA-4000 ABS
	MJAF-06720-011	PANEL-SUB	PA-4000 ABS720
	MJAF-09260-013	PANEL-SIDE(R)	PA-4000 ABS720
	MJAF-09270-013	PANEL-SIDE(L)	PA-4000 ABS720
	MJAF-15640-014	FOOT(A)	AVR200
	MJAF-16140-004	SUPPORT-PCB	ABS-720
	MJAF-17270-014	KNOB-POWER	PA-2000 ABS-720
	MJAG-04540-004	CABLE-TIE-L80	*
	MLAG-13850-014	BADGE-H/K	HK3370 AL
	MMAC-15650-004	SCREW-RADIATOR	
	MMAC-16400-004	SCREW-T/P-TOOTH	3X10 BLACK
	MPAC-05140-002	CHASSIS-SIDE	SECC T1.2
	MPAC-06390-001	CHASSIS-FRONT	SECC, T=1.2
	MPAC-06400-011	CHASSIS-TOP	PA-4000 SECC, T=1.0
	MPAC-06410-001	CHASSIS-BOTTOM	SECC, T=1.2
	MPAC-06420-011	CHASSIS-BACK	PA-4000 SECC, T=1.2
	MPAC-16220-004	BRACKET-RADIATOR(S)	US COATING T1.0
	MPAC-17130-004	BRACKET-KNOB	SECC T1.0
	MPAC-17150-004	BRACKET PCB-KEYPAD	SECC T1.0
	MRAG-13040-004	CUSHION-A	FELT 437x10x0.5 S
	MRAG-13050-004	CUSHION-A	FELT 250x10x0.5 S
	MRAG-13250-004	CUSHION-A	EVA T=5.0
	MRAG-14030-004	TRANSISTOR-MICA	MICA
	MWAW-01020-003	PALLETS	W880*D1275*H130
	MWAW-01030-003	PALLETS	W1240*D1275*H130
CW14	U745-9B350-450	WIRE-ASSY	1618#18 WHT/BLK-500 7P
P/T 1	PTAP-03900-CJU	TRANSFORMER-POWER	A96-390C-U 120V/60Hz
P/T 2	PTAP-03900-CJU	TRANSFORMER-POWER	A96-390C-U 120V/60Hz
POS11	VSPO-00010-100	POSISTOR	P42T8D100BW23
POS12	VSPO-00010-100	POSISTOR	P42T8D100BW23
Q409-1	TRSC-01680-SB0	TRANSISTOR N-H FREQ	2SC4137 TO-126FP
Q409-2	TRSC-01680-SB0	TRANSISTOR N-H FREQ	2SC4137 TO-126FP
Q413-1	TRSA-01780-SD0	TRANSISTOR N-H FREQ	2SC5200
Q413-2	TRSA-01780-SD0	TRANSISTOR N-H FREQ	2SC5200

REF NO.	PART NO.	DESCRIPTION	
<b>ASSY MECHA</b>			
Q414-1	TRSA-01770-SD0	TRANSISTOR P-H FREQ	2SA1943
Q414-2	TRSA-01770-SD0	TRANSISTOR P-H FREQ	2SA1943
Q459-1	TRSC-01680-SB0	TRANSISTOR N-H FREQ	2SC4137 TO-126FP
Q459-2	TRSC-01680-SB0	TRANSISTOR N-H FREQ	2SC4137 TO-126FP
Q463-1	TRSA-01780-SD0	TRANSISTOR N-H FREQ	2SC5200
Q463-2	TRSA-01780-SD0	TRANSISTOR N-H FREQ	2SC5200
Q464-1	TRSA-01770-SD0	TRANSISTOR P-H FREQ	2SA1943
Q464-2	TRSA-01770-SD0	TRANSISTOR P-H FREQ	2SA1943
Q509-1	TRSC-01680-SB0	TRANSISTOR N-H FREQ	2SC4137 TO-126FP
Q509-2	TRSC-01680-SB0	TRANSISTOR N-H FREQ	2SC4137 TO-126FP
Q513-1	TRSA-01780-SD0	TRANSISTOR N-H FREQ	2SC5200
Q513-2	TRSA-01780-SD0	TRANSISTOR N-H FREQ	2SC5200
Q515-1	TRSA-01770-SD0	TRANSISTOR P-H FREQ	2SA1943
Q515-2	TRSA-01770-SD0	TRANSISTOR P-H FREQ	2SA1943
Q559-1	TRSC-01680-SB0	TRANSISTOR N-H FREQ	2SC4137 TO-126FP
Q559-2	TRSC-01680-SB0	TRANSISTOR N-H FREQ	2SC4137 TO-126FP
Q563-1	TRSA-01780-SD0	TRANSISTOR N-H FREQ	2SC5200
Q563-2	TRSA-01780-SD0	TRANSISTOR N-H FREQ	2SC5200
Q564-1	TRSA-01770-SD0	TRANSISTOR P-H FREQ	2SA1943
Q564-2	TRSA-01770-SD0	TRANSISTOR P-H FREQ	2SA1943
	X SMB-30060-ZY0	SCREW-MACHINE	BHM3*6 FE-ZY
	XSTB-30080-ZB4	SCREW-TAPPING	BHT2T 3x8 FE-ZB
	XSTB-30080-ZY4	SCREW-TAPPING	BHT2T 3x8 FE-ZY
	XSTB-30100-ZB4	SCREW-TAPPING	BHT2T 3x10 FE-ZB
	XSTB-40080-ZB4	SCREW-TAPPING	BHT2T 4x8 FE-ZB
	XSTB-40080-ZY8	SCREW-TAPPING	BHT3T 4x8 FE-ZY
	XSTF-30100-ZB4	SCREW-TAPPING	FHT2T 3x10 FE-ZB
	XSTS-30080-ZY4	SCREW-TAPPING	PHWT2T 3x8 FE-ZY
	XSTS-30120-ZY4	SCREW-TAPPING	PHWT2T 3x12 FE-ZY
	XSTS-30180-ZY4	SCREW-TAPPING	PHWT2T 3x18 FE-ZY
	XSTS-30220-ZY4	SCREW-TAPPING	PHWT2T 3x22 FE-ZY
	XSTW-30060-ZY4	SCREW-TAAPING	PH/W 3X6 Fe-Zy
	YGAP-15710-014	BOX-GIFT	PA-4000 (DW-3 W588*D58
	YVAP-01700-001	CUSHION	EPS
	YVAP-01862-014	POLY-BAG-I(G)	TCS-1010
	YVAP-15720-014	TOILON-SHEET	PA-4000 (NAMI SHEET)
	7JJG-00212-001	PACKING WRAP	500mm*1400m
<b>ASSY MAIN PCB</b>			
C801	CEEZ-L154M-SW2	CAPACITOR E/ALUMINUM	15000uF M 63V 35x60
C802	CEEZ-L154M-SW2	CAPACITOR E/ALUMINUM	15000uF M 63V 35x60
C803	CEEZ-L154M-SW2	CAPACITOR E/ALUMINUM	15000uF M 63V 35x60
C804	CEEZ-L154M-SW2	CAPACITOR E/ALUMINUM	15000uF M 63V 35x60
C805	CFMT-S104K-GI0	CAPACITOR F/POLYESTR	0.1uF K 250V 9.5x11 TL
C806	CFMT-S104K-GI0	CAPACITOR F/POLYESTR	0.1uF K 250V 9.5x11 TL
C807	CFMT-S104K-GI0	CAPACITOR F/POLYESTR	0.1uF K 250V 9.5x11 TL
C808	CFMT-S104K-GI0	CAPACITOR F/POLYESTR	0.1uF K 250V 9.5x11 TL
C809	CFMT-S104K-GI0	CAPACITOR F/POLYESTR	0.1uF K 250V 9.5x11 TL
C810	CFMT-S104K-GI0	CAPACITOR F/POLYESTR	0.1uF K 250V 9.5x11 TL
C811	CFMT-S104K-GI0	CAPACITOR F/POLYESTR	0.1uF K 250V 9.5x11 TL
C812	CFMT-S104K-GI0	CAPACITOR F/POLYESTR	0.1uF K 250V 9.5x11 TL
C813	CFMT-S104K-GI0	CAPACITOR F/POLYESTR	0.1uF K 250V 9.5x11 TL
C814	CFMT-S104K-GI0	CAPACITOR F/POLYESTR	0.1uF K 250V 9.5x11 TL
C816	CCAT-J473Z-AAF	CAPACITOR CERAMIC	0.047uF Z 50V F T
C817	CCAT-J473Z-AAF	CAPACITOR CERAMIC	0.047uF Z 50V F T
C818	CEET-J1R0M-CI0	CAPACITOR E/ALUMINUM	1.0uF M 50V 5x11 T
C819	CEET-J1R0M-CI0	CAPACITOR E/ALUMINUM	1.0uF M 50V 5x11 T
C820	CEET-C471M-FI1	CAPACITOR E/ALUMINUM	470uF M 6.3V 8x11.5 U T
C821	CEET-C471M-FI1	CAPACITOR E/ALUMINUM	470uF M 6.3V 8x11.5 U T

REF NO.	PART NO.	DESCRIPTION
<b>ASSY MAIN PCB</b>		
C822	CEET-J1R0M-CI0	CAPACITOR E/ALUMINUM 1.0uF M 50V 5x11 T
C823	CEET-J1R0M-CI0	CAPACITOR E/ALUMINUM 1.0uF M 50V 5x11 T
C824	CEET-C471M-FI1	CAPACITOR E/ALUMINUM 470uF M 6.3V 8x11.5 U T
C825	CEET-C471M-FI1	CAPACITOR E/ALUMINUM 470uF M 6.3V 8x11.5 U T
C826	CFMT-N473J-GK0	CAPACITOR F/POLYESTR 0.047uF J 100V 8.9x13. T
C827	CFMT-N473J-GK0	CAPACITOR F/POLYESTR 0.047uF J 100V 8.9x13. T
C828	CFMT-N473J-GK0	CAPACITOR F/POLYESTR 0.047uF J 100V 8.9x13. T
C829	CFMT-N473J-GK0	CAPACITOR F/POLYESTR 0.047uF J 100V 8.9x13. T
C830	CFMT-N473J-GK0	CAPACITOR F/POLYESTR 0.047uF J 100V 8.9x13. T
C831	CFMT-N473J-GK0	CAPACITOR F/POLYESTR 0.047uF J 100V 8.9x13. T
C832	CFMT-N473J-GK0	CAPACITOR F/POLYESTR 0.047uF J 100V 8.9x13. T
C833	CFMT-N473J-GK0	CAPACITOR F/POLYESTR 0.047uF J 100V 8.9x13. T
C834	CCAT-J104Z-AAF	CAPACITOR CERAMIC 0.1uF Z 50V F T
C835	CCAT-J104Z-AAF	CAPACITOR CERAMIC 0.1uF Z 50V F T
C836	CCAT-J104Z-AAF	CAPACITOR CERAMIC 0.1uF Z 50V F T
C837	CCAT-J104Z-AAF	CAPACITOR CERAMIC 0.1uF Z 50V F T
D801	DD4B-00360-VA0	DIODE-BRIDGE D15XB60H
D802	DD4B-00360-VA0	DIODE-BRIDGE D15XB60H
D803	DDTZ-G091B-SO0	DIODE ZENER MTZ9.1B 9.01 DO40 T
D804	DDTS-00070-SO0	DIODE-SI 1SS133 (40V 0.11A) DO-40 T
D805	DDTS-00070-SO0	DIODE-SI 1SS133 (40V 0.11A) DO-40 T
D806	DDTS-00070-SO0	DIODE-SI 1SS133 (40V 0.11A) DO-40 T
D807	DDTZ-G091B-SO0	DIODE ZENER MTZ9.1B 9.01 DO40 T
D808	DDTS-00070-SO0	DIODE-SI 1SS133 (40V 0.11A) DO-40 T
D809	DDTS-00070-SO0	DIODE-SI 1SS133 (40V 0.11A) DO-40 T
D810	DDTS-00070-SO0	DIODE-SI 1SS133 (40V 0.11A) DO-40 T
D811	DDTR-00040-T10	DIODE-RECTIFIER 1N4004S(400V 1A 0.6mm) T
D812	DDTR-00040-T10	DIODE-RECTIFIER 1N4004S(400V 1A 0.6mm) T
D813	DDTR-00040-T10	DIODE-RECTIFIER 1N4004S(400V 1A 0.6mm) T
D814	DDTR-00040-T10	DIODE-RECTIFIER 1N4004S(400V 1A 0.6mm) T
LD801	DPLT-01050-RR2	LED LAMP BL-B4541T-TBF18A
LD802	DPLT-01050-RR2	LED LAMP BL-B4541T-TBF18A
LD803	DPLT-01040-YY2	LED LAMP BL-B3141T-TBF18A
LD804	DPLT-01040-YY2	LED LAMP BL-B3141T-TBF18A
LD805	DPLT-01030-GG2	LED LAMP BL-B2141T-TBF18A
LD806	DPLT-01030-GG2	LED LAMP BL-B2141T-TBF18A
LD807	DPLT-01050-RR2	LED LAMP BL-B4541T-TBF18A
LD808	DPLT-01050-RR2	LED LAMP BL-B4541T-TBF18A
LD809	DPLT-01040-YY2	LED LAMP BL-B3141T-TBF18A
LD810	DPLT-01040-YY2	LED LAMP BL-B3141T-TBF18A
LD811	DPLT-01030-GG2	LED LAMP BL-B2141T-TBF18A
LD812	DPLT-01030-GG2	LED LAMP BL-B2141T-TBF18A
LD813	DPLT-01050-RR2	LED LAMP BL-B4541T-TBF18A
LD814	DPLT-01050-RR2	LED LAMP BL-B4541T-TBF18A
LD815	DPLT-01040-YY2	LED LAMP BL-B3141T-TBF18A
LD816	DPLT-01040-YY2	LED LAMP BL-B3141T-TBF18A
LD817	DPLT-01030-GG2	LED LAMP BL-B2141T-TBF18A
LD818	DPLT-01030-GG2	LED LAMP BL-B2141T-TBF18A
LD819	DPLT-01050-RR2	LED LAMP BL-B4541T-TBF18A
LD820	DPLT-01050-RR2	LED LAMP BL-B4541T-TBF18A
LD821	DPLT-01040-YY2	LED LAMP BL-B3141T-TBF18A
LD822	DPLT-01040-YY2	LED LAMP BL-B3141T-TBF18A
LD823	DPLT-01030-GG2	LED LAMP BL-B2141T-TBF18A
LD824	DPLT-01030-GG2	LED LAMP BL-B2141T-TBF18A
RLY801	ESRY-00400-110	RELAY DS2SU DS24D2-OS(M)
RLY802	ESRY-00400-110	RELAY DS2SU DS24D2-OS(M)
RLY803	ESRY-00400-110	RELAY DS2SU DS24D2-OS(M)
RLY804	ESRY-00400-110	RELAY DS2SU DS24D2-OS(M)
CP3	KNCW-00970-4T9	CONNECTOR-WAFER JE202-1T-4P

REF NO.	PART NO.	DESCRIPTION	
<b>ASS'Y MAIN PCB</b>			
CP4	KNCW-00970-4T9	CONNECTOR-WAFER	JE202-1T-4P
CP5	KNCW-00970-3T9	CONNECTOR-WAFER	JE202-1T-3P
CP6	KNCW-00970-3T9	CONNECTOR-WAFER	JE202-1T-3P
CP7	KNCW-00140-2TM	CONNECTOR-WAFER	5267-02A 2.5mm MILK
CP8	KNCW-00140-2TM	CONNECTOR-WAFER	5267-02A 2.5mm MILK
CP10	KNCW-00240-DT9	CONNECTOR-WAFER	53014-13 2.0mm WHT
CP11	KNCW-00240-DT9	CONNECTOR-WAFER	53014-13 2.0mm WHT
CP12	KNCW-00760-IT0	CONNECTOR-WAFER	8370-181 1.25mm TOP 18P
CP14	KNCW-00990-4T9	CONNECTOR-WAFER	JE202A-1T-04
CP17	KNCW-00990-4T9	CONNECTOR-WAFER	JE202A-1T-04
CP18	KNCW-00990-2T9	CONNECTOR-WAFER	JE202A-1T-02
CP19	KNCW-00990-2T9	CONNECTOR-WAFER	JE202A-1T-02
CP103	KNCW-00970-4T9	CONNECTOR-WAFER	JE202-1T-4P
CP104	KNCW-00970-4T9	CONNECTOR-WAFER	JE202-1T-4P
	MEAC-16960-004	RADIATOR-IC	AL
	MRAG-14020-004	CUSHION-A	EVA 65 10X20X2.5T
PCB_MAIN	PCSA-05650-11B	PCB-SINGLE	A1A-565 330x247x1.6t
R801	RCFT-E153J-000	RESISTOR-CARBON FILM	15Kohm 1/5W 5% T
R802	RCFT-E473J-000	RESISTOR-CARBON FILM	47Kohm 1/5W 5% T
R803	RCFT-E153J-000	RESISTOR-CARBON FILM	15Kohm 1/5W 5% T
R804	RCFT-E473J-000	RESISTOR-CARBON FILM	47Kohm 1/5W 5% T
R805	RCFT-E682J-000	RESISTOR-CARBON FILM	6.8Kohm 1/5W 5% T
R806	RCFT-E104J-000	RESISTOR-CARBON FILM	100Kohm 1/5W 5% T
R807	RCFT-E683J-000	RESISTOR-CARBON FILM	68Kohm 1/5W 5% T
R808	RCFT-E682J-000	RESISTOR-CARBON FILM	6.8Kohm 1/5W 5% T
R809	RCFT-E104J-000	RESISTOR-CARBON FILM	100Kohm 1/5W 5% T
R810	RCFT-E683J-000	RESISTOR-CARBON FILM	68Kohm 1/5W 5% T
R811	RCFT-E332J-000	RESISTOR-CARBON FILM	3.3Kohm 1/5W 5% T
R812	RCFT-E332J-000	RESISTOR-CARBON FILM	3.3Kohm 1/5W 5% T
R813	RCFT-E152J-000	RESISTOR-CARBON FILM	1.5Kohm 1/5W 5% T
R814	RCFT-E152J-000	RESISTOR-CARBON FILM	1.5Kohm 1/5W 5% T
R815	RCFT-E273J-000	RESISTOR-CARBON FILM	27Kohm 1/5W 5% T
R816	RCFT-E273J-000	RESISTOR-CARBON FILM	27Kohm 1/5W 5% T
R817	RCFT-E273J-000	RESISTOR-CARBON FILM	27Kohm 1/5W 5% T
R818	RCFT-E273J-000	RESISTOR-CARBON FILM	27Kohm 1/5W 5% T
R819	RCFT-E682J-000	RESISTOR-CARBON FILM	6.8Kohm 1/5W 5% T
R820	RCFT-E104J-000	RESISTOR-CARBON FILM	100Kohm 1/5W 5% T
R821	RCFT-E683J-000	RESISTOR-CARBON FILM	68Kohm 1/5W 5% T
R822	RCFT-E682J-000	RESISTOR-CARBON FILM	6.8Kohm 1/5W 5% T
R823	RCFT-E104J-000	RESISTOR-CARBON FILM	100Kohm 1/5W 5% T
R824	RCFT-E683J-000	RESISTOR-CARBON FILM	68Kohm 1/5W 5% T
R825	RCFT-E332J-000	RESISTOR-CARBON FILM	3.3Kohm 1/5W 5% T
R826	RCFT-E332J-000	RESISTOR-CARBON FILM	3.3Kohm 1/5W 5% T
R827	RCFT-E152J-000	RESISTOR-CARBON FILM	1.5Kohm 1/5W 5% T
R828	RCFT-E152J-000	RESISTOR-CARBON FILM	1.5Kohm 1/5W 5% T
R829	RCFT-E273J-000	RESISTOR-CARBON FILM	27Kohm 1/5W 5% T
R830	RCFT-E273J-000	RESISTOR-CARBON FILM	27Kohm 1/5W 5% T
R831	RCFT-E273J-000	RESISTOR-CARBON FILM	27Kohm 1/5W 5% T
R832	RCFT-E273J-000	RESISTOR-CARBON FILM	27Kohm 1/5W 5% T
R833	RMOH-H100J-100	RESISTOR-METAL OXIDE	PRO1 1W 10ohm 5% R-SHAPE T
R834	RMOH-H100J-100	RESISTOR-METAL OXIDE	PRO1 1W 10ohm 5% R-SHAPE T
R835	RMOH-H100J-100	RESISTOR-METAL OXIDE	PRO1 1W 10ohm 5% R-SHAPE T
R836	RMOH-H100J-100	RESISTOR-METAL OXIDE	PRO1 1W 10ohm 5% R-SHAPE T
R837	RMOH-H100J-100	RESISTOR-METAL OXIDE	PRO1 1W 10ohm 5% R-SHAPE T
R838	RMOH-H100J-100	RESISTOR-METAL OXIDE	PRO1 1W 10ohm 5% R-SHAPE T
R839	RMOH-H100J-100	RESISTOR-METAL OXIDE	PRO1 1W 10ohm 5% R-SHAPE T
R840	RMOH-H100J-100	RESISTOR-METAL OXIDE	PRO1 1W 10ohm 5% R-SHAPE T
R841	RCFT-E472J-000	RESISTOR-CARBON FILM	4.7Kohm 1/5W 5% T
R842	RCFT-E103J-000	RESISTOR-CARBON FILM	10Kohm 1/5W 5% T



REF NO.	PART NO.	DESCRIPTION		
<b>ASSY MAIN PCB</b>				
R843	RCFT-E472J-000	RESISTOR-CARBON FILM	4.7Kohm 1/5W 5% T	
R844	RCFT-E103J-000	RESISTOR-CARBON FILM	10Kohm 1/5W 5% T	
R845	RCFT-E472J-000	RESISTOR-CARBON FILM	4.7Kohm 1/5W 5% T	
R846	RCFT-E103J-000	RESISTOR-CARBON FILM	10Kohm 1/5W 5% T	
R847	RCFT-E472J-000	RESISTOR-CARBON FILM	4.7Kohm 1/5W 5% T	
R848	RCFT-E103J-000	RESISTOR-CARBON FILM	10Kohm 1/5W 5% T	
R849	RMOH-H100J-100	RESISTOR-METAL OXIDE	PRO1 1W 10ohm 5% R-SHAPE T	
R850	RMOH-H100J-100	RESISTOR-METAL OXIDE	PRO1 1W 10ohm 5% R-SHAPE T	
R851	RMOH-H100J-100	RESISTOR-METAL OXIDE	PRO1 1W 10ohm 5% R-SHAPE T	
R852	RMOH-H100J-100	RESISTOR-METAL OXIDE	PRO1 1W 10ohm 5% R-SHAPE T	
INLET801	SKAO-00250-000	AC INLET	PWI1908-G	
TER801	TESP-00191-08S	TERMINAL SPEAKER	B3089009G	
TER802	TESP-00191-08S	TERMINAL SPEAKER	B3089009G	
Q801	TRTC-0016Y-SD0	TRANSISTOR N-H FREQ	KTC3198-Y	TO92
Q802	TRTC-0016Y-SD0	TRANSISTOR N-H FREQ	KTC3198-Y	TO92
Q803	TRTA-0008Y-SD0	TRANSISTOR P-H FREQ	KTA1266-Y	TO92
Q804	TRTA-0008Y-SD0	TRANSISTOR P-H FREQ	KTA1266-Y	TO92
Q805	TRTC-0016Y-SD0	TRANSISTOR N-H FREQ	KTC3198-Y	TO92
Q806	TRTC-0016Y-SD0	TRANSISTOR N-H FREQ	KTC3198-Y	TO92
Q807	TRTC-0016Y-SD0	TRANSISTOR N-H FREQ	KTC3198-Y	TO92
Q808	TRTC-0016Y-SD0	TRANSISTOR N-H FREQ	KTC3198-Y	TO92
Q809	TRTA-0008Y-SD0	TRANSISTOR P-H FREQ	KTA1266-Y	TO92
Q810	TRTA-0008Y-SD0	TRANSISTOR P-H FREQ	KTA1266-Y	TO92
Q811	TRTC-0016Y-SD0	TRANSISTOR N-H FREQ	KTC3198-Y	TO92
Q812	TRTC-0016Y-SD0	TRANSISTOR N-H FREQ	KTC3198-Y	TO92
Q813	TRTC-0016Y-SD0	TRANSISTOR N-H FREQ	KTC3198-Y	TO92
Q814	TRTC-0016Y-SD0	TRANSISTOR N-H FREQ	KTC3198-Y	TO92
Q815	TRTC-0039Y-SD0	TRANSISTOR N-H FREQ	KTC3205-Y	TO92L
Q816	TRTC-0039Y-SD0	TRANSISTOR N-H FREQ	KTC3205-Y	TO92L
Q817	TRTC-0039Y-SD0	TRANSISTOR N-H FREQ	KTC3205-Y	TO92L
Q818	TRTC-0039Y-SD0	TRANSISTOR N-H FREQ	KTC3205-Y	TO92L
CW9	UM48-71049-000	WIRE-ASSY	1007#18 BLU/BLK-200/300 7P	
CW10	UD08-3M828-250	WIRE-ASSY	1007#28 ORG/BLK-280 13P	
CW16	UM48-71050-000	WIRE-ASSY	1618#18 BL/WT/-105/125 7P	
CW17	U745-9B367-630	WIRE-ASSY	1618#18 WHT/BLU-670 7P	
	XSTB-30080-ZY4	SCREW-TAPPING	BHT2T 3x8 FE-ZY	
<b>ASSY AMP PCB</b>				
C401	CEET-F220M-CI0	CAPACITOR E/ALUMINUM	22uF M 25V 5x11	T
C402	CCTT-J680J-0BZ	CAPACITOR CERAMIC	68PF J 50V SL T	
C403	CEET-E331M-FI0	CAPACITOR E/ALUMINUM	330uF M 16V 8x11.5	T
C404	CCTT-J101J-0CZ	CAPACITOR CERAMIC	100PF J 50V SL T	
C405	CEET-J100M-CI0	CAPACITOR E/ALUMINUM	10uF M 50V 5x11	T
C406	CEET-J4R7M-CI0	CAPACITOR E/ALUMINUM	4.7uF M 50V 5x11	T
C407	CEET-J100M-CI0	CAPACITOR E/ALUMINUM	10uF M 50V 5x11	T
C408	CEET-J331M-HL1	CAPACITOR E/ALUMINUM	330uF M 50V 10x16 SHL	T
C409	CEET-J331M-HL1	CAPACITOR E/ALUMINUM	330uF M 50V 10x16 SHL	T
C410	CFMT-L334J-EGN	CAPACITOR F/POLYESTR	EB 0.33uF J 50V 7.2x9.5	T
C411	CFMT-L334J-EGN	CAPACITOR F/POLYESTR	EB 0.33uF J 50V 7.2x9.5	T
C412	CFMT-L334J-EGN	CAPACITOR F/POLYESTR	EB 0.33uF J 50V 7.2x9.5	T
C414	CFMT-L334J-EGN	CAPACITOR F/POLYESTR	EB 0.33uF J 50V 7.2x9.5	T
C451	CEET-F220M-CI0	CAPACITOR E/ALUMINUM	22uF M 25V 5x11	T
C452	CCTT-J680J-0BZ	CAPACITOR CERAMIC	68PF J 50V SL T	
C453	CEET-E331M-FI0	CAPACITOR E/ALUMINUM	330uF M 16V 8x11.5	T
C454	CCTT-J101J-0CZ	CAPACITOR CERAMIC	100PF J 50V SL T	
C455	CEET-J100M-CI0	CAPACITOR E/ALUMINUM	10uF M 50V 5x11	T
C456	CEET-J4R7M-CI0	CAPACITOR E/ALUMINUM	4.7uF M 50V 5x11	T
C457	CEET-J100M-CI0	CAPACITOR E/ALUMINUM	10uF M 50V 5x11	T
C458	CEET-J331M-HL1	CAPACITOR E/ALUMINUM	330uF M 50V 10x16 SHL	T

REF NO.	PART NO.	DESCRIPTION	
<b>ASS'Y AMP PCB</b>			
C459	CEET-J331M-HL1	CAPACITOR E/ALUMINUM	330uF M 50V 10x16 SHL T
C460	CFMT-L334J-EGN	CAPACITOR F/POLYESTR	EB 0.33uF J 50V 7.2x9.5 T
C461	CFMT-L334J-EGN	CAPACITOR F/POLYESTR	EB 0.33uF J 50V 7.2x9.5 T
C501	CEET-F220M-CI0	CAPACITOR E/ALUMINUM	22uF M 25V 5x11 T
C502	CCTT-J680J-0BZ	CAPACITOR CERAMIC	68PF J 50V SL T
C503	CEET-E331M-FI0	CAPACITOR E/ALUMINUM	330uF M 16V 8x11.5 T
C504	CCTT-J101J-0CZ	CAPACITOR CERAMIC	100PF J 50V SL T
C505	CEET-J100M-CI0	CAPACITOR E/ALUMINUM	10uF M 50V 5x11 T
C506	CEET-J4R7M-CI0	CAPACITOR E/ALUMINUM	4.7uF M 50V 5x11 T
C507	CEET-J100M-CI0	CAPACITOR E/ALUMINUM	10uF M 50V 5x11 T
C508	CEET-J331M-HL1	CAPACITOR E/ALUMINUM	330uF M 50V 10x16 SHL T
C509	CEET-J331M-HL1	CAPACITOR E/ALUMINUM	330uF M 50V 10x16 SHL T
C510	CFMT-L334J-EGN	CAPACITOR F/POLYESTR	EB 0.33uF J 50V 7.2x9.5 T
C511	CFMT-L334J-EGN	CAPACITOR F/POLYESTR	EB 0.33uF J 50V 7.2x9.5 T
C551	CEET-F220M-CI0	CAPACITOR E/ALUMINUM	22uF M 25V 5x11 T
C552	CCTT-J680J-0BZ	CAPACITOR CERAMIC	68PF J 50V SL T
C553	CEET-E331M-FI0	CAPACITOR E/ALUMINUM	330uF M 16V 8x11.5 T
C554	CCTT-J101J-0CZ	CAPACITOR CERAMIC	100PF J 50V SL T
C555	CEET-J100M-CI0	CAPACITOR E/ALUMINUM	10uF M 50V 5x11 T
C556	CEET-J4R7M-CI0	CAPACITOR E/ALUMINUM	4.7uF M 50V 5x11 T
C557	CEET-J100M-CI0	CAPACITOR E/ALUMINUM	10uF M 50V 5x11 T
C558	CEET-J331M-HL1	CAPACITOR E/ALUMINUM	330uF M 50V 10x16 SHL T
C559	CEET-J331M-HL1	CAPACITOR E/ALUMINUM	330uF M 50V 10x16 SHL T
C560	CFMT-L334J-EGN	CAPACITOR F/POLYESTR	EB 0.33uF J 50V 7.2x9.5 T
C561	CFMT-L334J-EGN	CAPACITOR F/POLYESTR	EB 0.33uF J 50V 7.2x9.5 T
D402	DDTS-00070-SO0	DIODE-SI	1SS133 (40V 0.11A) DO-40 T
D403	DDTS-00070-SO0	DIODE-SI	1SS133 (40V 0.11A) DO-40 T
D452	DDTS-00070-SO0	DIODE-SI	1SS133 (40V 0.11A) DO-40 T
D453	DDTS-00070-SO0	DIODE-SI	1SS133 (40V 0.11A) DO-40 T
D502	DDTS-00070-SO0	DIODE-SI	1SS133 (40V 0.11A) DO-40 T
D503	DDTS-00070-SO0	DIODE-SI	1SS133 (40V 0.11A) DO-40 T
D504	DDTZ-G150C-SO0	DIODE ZENER	MTZ15C 14.35-15.09 DO40 T
D505	DDTZ-G130B-SOS	DIODE ZENER	MTZJ13B 12.55-13.21 DO34 T
D506	DDTZ-G150C-SO0	DIODE ZENER	MTZ15C 14.35-15.09 DO40 T
D507	DDTZ-G130B-SOS	DIODE ZENER	MTZJ13B 12.55-13.21 DO34 T
D552	DDTS-00070-SO0	DIODE-SI	1SS133 (40V 0.11A) DO-40 T
D553	DDTS-00070-SO0	DIODE-SI	1SS133 (40V 0.11A) DO-40 T
D554	DDTZ-G150C-SO0	DIODE ZENER	MTZ15C 14.35-15.09 DO40 T
D555	DDTZ-G130B-SOS	DIODE ZENER	MTZJ13B 12.55-13.21 DO34 T
D556	DDTZ-G150C-SO0	DIODE ZENER	MTZ15C 14.35-15.09 DO40 T
D557	DDTZ-G130B-SOS	DIODE ZENER	MTZJ13B 12.55-13.21 DO34 T
L401	KIBK-00190-E40	COIL-AUDIO CHOCK	0.7uH COIL-CHOCK
L451	KIBK-00190-E40	COIL-AUDIO CHOCK	0.7uH COIL-CHOCK
L501	KIBK-00190-E40	COIL-AUDIO CHOCK	0.7uH COIL-CHOCK
L551	KIBK-00190-E40	COIL-AUDIO CHOCK	0.7uH COIL-CHOCK
J401	KNCW-00160-2S9	CONNECTOR-WAFER	53015-0210 2mm-WHT
J451	KNCW-00160-2S9	CONNECTOR-WAFER	53015-0210 2mm-WHT
J501	KNCW-00160-2S9	CONNECTOR-WAFER	53015-0210 2mm-WHT
J551	KNCW-00160-2S9	CONNECTOR-WAFER	53015-0210 2mm-WHT
CP1	KNCW-00240-ET9	CONNECTOR-WAFER	53014-14 2.0mm WHT
CP2	KNCW-00240-5T9	CONNECTOR-WAFER	53014-05 2.0mm WHT
CP9-1/3	KNCW-00970-2T9	CONNECTOR-WAFER	JE202-1T-2P
AMP PCB	PCSA-05660-11B	PCB-SINGLE	A1A-566 330x163x1.6t
MPR401	RMFS-LR27J-0J0	RESISTOR-METAL PLATE	0.27ohm 5W 5% MPR-55R
MPR451	RMFS-LR27J-0J0	RESISTOR-METAL PLATE	0.27ohm 5W 5% MPR-55R
MPR501	RMFS-LR27J-0J0	RESISTOR-METAL PLATE	0.27ohm 5W 5% MPR-55R
MPR551	RMFS-LR27J-0J0	RESISTOR-METAL PLATE	0.27ohm 5W 5% MPR-55R
R401	RCFT-E102J-000	RESISTOR-CARBON FILM	1Kohm 1/5W 5% T
R402	RCFT-E333J-000	RESISTOR-CARBON FILM	33Kohm 1/5W 5% T

REF NO.	PART NO.	DESCRIPTION
<b>ASSY AMP PCB</b>		
R403	RCFT-E271J-000	RESISTOR-CARBON FILM 270ohm 1/5W 5% T
R404	RCFT-E271J-000	RESISTOR-CARBON FILM 270ohm 1/5W 5% T
R405	RCFT-E201J-000	RESISTOR-CARBON FILM 200ohm 1/5W 5% T
R406	RCFT-E333J-000	RESISTOR-CARBON FILM 33Kohm 1/5W 5% T
R407	RCFT-E172F-000	RESISTOR-CARBON FILM 1.7Kohm 1/5W 1% T
R408	RCFT-E152J-000	RESISTOR-CARBON FILM 1.5Kohm 1/5W 5% T
R409	RCFT-E152J-000	RESISTOR-CARBON FILM 1.5Kohm 1/5W 5% T
R410	RCFT-E561J-000	RESISTOR-CARBON FILM 560ohm 1/5W 5% T
R411	RCFT-E561J-000	RESISTOR-CARBON FILM 560ohm 1/5W 5% T
R412	RCFT-F101J-010	RESISTOR-CARBON FILM 100ohm 1/4W 5% T
R413	RCFT-E561J-000	RESISTOR-CARBON FILM 560ohm 1/5W 5% T
R414	RCFT-E561J-000	RESISTOR-CARBON FILM 560ohm 1/5W 5% T
R415	RCFT-E561J-000	RESISTOR-CARBON FILM 560ohm 1/5W 5% T
R416	RCFT-E561J-000	RESISTOR-CARBON FILM 560ohm 1/5W 5% T
R417	RCFT-F101J-010	RESISTOR-CARBON FILM 100ohm 1/4W 5% T
R418	RCFT-E392J-000	RESISTOR-CARBON FILM 3.9Kohm 1/5W 5% T
R419	RCFT-E183J-000	RESISTOR-CARBON FILM 18Kohm 1/5W 5% T
R420	RCFT-E183J-000	RESISTOR-CARBON FILM 18Kohm 1/5W 5% T
R421	RCFT-E821J-000	RESISTOR-CARBON FILM 820ohm 1/5W 5% T
R422	RCFT-E821J-000	RESISTOR-CARBON FILM 820ohm 1/5W 5% T
R423	RCFT-E122J-000	RESISTOR-CARBON FILM 1.2Kohm 1/5W 5% T
R424	RCFT-E820J-000	RESISTOR-CARBON FILM 82ohm 1/5W 5% T
R425	RCFT-E182J-000	RESISTOR-CARBON FILM 1.8Kohm 1/5W 5% T
R426	RCFT-E202J-000	RESISTOR-CARBON FILM 2Kohm 1/5W 5% T
R427	RCFT-E911J-000	RESISTOR-CARBON FILM 910ohm 1/5W 5% T
R428	RCFT-E682J-000	RESISTOR-CARBON FILM 6.8Kohm 1/5W 5% T
R429	RMOH-H100J-100	RESISTOR-METAL OXIDE PRO1 1W 10ohm 5% R-SHAPE T
R430	RCFT-E333F-000	RESISTOR-CARBON FILM 33Kohm 1/5W 1% T
R431	RMOH-H330J-100	RESISTOR-METAL OXIDE PR01 1W 33ohm 5% R-SHAPE T
R432	RMOH-H330J-100	RESISTOR-METAL OXIDE PR01 1W 33ohm 5% R-SHAPE T
R433	RCFT-E334J-000	RESISTOR-CARBON FILM 330Kohm 1/5W 5% T
R451	RCFT-E102J-000	RESISTOR-CARBON FILM 1Kohm 1/5W 5% T
R452	RCFT-E333J-000	RESISTOR-CARBON FILM 33Kohm 1/5W 5% T
R453	RCFT-E271J-000	RESISTOR-CARBON FILM 270ohm 1/5W 5% T
R454	RCFT-E271J-000	RESISTOR-CARBON FILM 270ohm 1/5W 5% T
R455	RCFT-E201J-000	RESISTOR-CARBON FILM 200ohm 1/5W 5% T
R456	RCFT-E333J-000	RESISTOR-CARBON FILM 33Kohm 1/5W 5% T
R457	RCFT-E172F-000	RESISTOR-CARBON FILM 1.7Kohm 1/5W 1% T
R458	RCFT-E152J-000	RESISTOR-CARBON FILM 1.5Kohm 1/5W 5% T
R459	RCFT-E152J-000	RESISTOR-CARBON FILM 1.5Kohm 1/5W 5% T
R460	RCFT-E561J-000	RESISTOR-CARBON FILM 560ohm 1/5W 5% T
R461	RCFT-E561J-000	RESISTOR-CARBON FILM 560ohm 1/5W 5% T
R462	RCFT-F101J-010	RESISTOR-CARBON FILM 100ohm 1/4W 5% T
R463	RCFT-E561J-000	RESISTOR-CARBON FILM 560ohm 1/5W 5% T
R464	RCFT-E561J-000	RESISTOR-CARBON FILM 560ohm 1/5W 5% T
R465	RCFT-E561J-000	RESISTOR-CARBON FILM 560ohm 1/5W 5% T
R466	RCFT-E561J-000	RESISTOR-CARBON FILM 560ohm 1/5W 5% T
R467	RCFT-F101J-010	RESISTOR-CARBON FILM 100ohm 1/4W 5% T
R468	RCFT-E392J-000	RESISTOR-CARBON FILM 3.9Kohm 1/5W 5% T
R469	RCFT-E183J-000	RESISTOR-CARBON FILM 18Kohm 1/5W 5% T
R470	RCFT-E183J-000	RESISTOR-CARBON FILM 18Kohm 1/5W 5% T
R471	RCFT-E821J-000	RESISTOR-CARBON FILM 820ohm 1/5W 5% T
R472	RCFT-E821J-000	RESISTOR-CARBON FILM 820ohm 1/5W 5% T
R473	RCFT-E122J-000	RESISTOR-CARBON FILM 1.2Kohm 1/5W 5% T
R474	RCFT-E820J-000	RESISTOR-CARBON FILM 82ohm 1/5W 5% T
R475	RCFT-E182J-000	RESISTOR-CARBON FILM 1.8Kohm 1/5W 5% T
R476	RCFT-E202J-000	RESISTOR-CARBON FILM 2Kohm 1/5W 5% T
R477	RCFT-E911J-000	RESISTOR-CARBON FILM 910ohm 1/5W 5% T
R478	RCFT-E682J-000	RESISTOR-CARBON FILM 6.8Kohm 1/5W 5% T

REF NO.	PART NO.	DESCRIPTION	
<b>ASSY AMP PCB</b>			
R479	RMOH-H100J-100	RESISTOR-METAL OXIDE	PRO1 1W 10ohm 5% R-SHAPE T
R480	RCFT-E333F-000	RESISTOR-CARBON FILM	33Kohm 1/5W 1% T
R481	RMOH-H330J-100	RESISTOR-METAL OXIDE	PR01 1W 33ohm 5% R-SHAPE T
R482	RMOH-H330J-100	RESISTOR-METAL OXIDE	PR01 1W 33ohm 5% R-SHAPE T
R483	RCFT-E334J-000	RESISTOR-CARBON FILM	330Kohm 1/5W 5% T
R501	RCFT-E102J-000	RESISTOR-CARBON FILM	1Kohm 1/5W 5% T
R502	RCFT-E333J-000	RESISTOR-CARBON FILM	33Kohm 1/5W 5% T
R503	RCFT-E271J-000	RESISTOR-CARBON FILM	270ohm 1/5W 5% T
R504	RCFT-E271J-000	RESISTOR-CARBON FILM	270ohm 1/5W 5% T
R505	RCFT-E201J-000	RESISTOR-CARBON FILM	200ohm 1/5W 5% T
R506	RCFT-E333J-000	RESISTOR-CARBON FILM	33Kohm 1/5W 5% T
R507	RCFT-E172F-000	RESISTOR-CARBON FILM	1.7Kohm 1/5W 1% T
R508	RCFT-E152J-000	RESISTOR-CARBON FILM	1.5Kohm 1/5W 5% T
R509	RCFT-E152J-000	RESISTOR-CARBON FILM	1.5Kohm 1/5W 5% T
R510	RCFT-E561J-000	RESISTOR-CARBON FILM	560ohm 1/5W 5% T
R511	RCFT-E561J-000	RESISTOR-CARBON FILM	560ohm 1/5W 5% T
R512	RCFT-F101J-010	RESISTOR-CARBON FILM	100ohm 1/4W 5% T
R513	RCFT-E561J-000	RESISTOR-CARBON FILM	560ohm 1/5W 5% T
R514	RCFT-E561J-000	RESISTOR-CARBON FILM	560ohm 1/5W 5% T
R515	RCFT-E561J-000	RESISTOR-CARBON FILM	560ohm 1/5W 5% T
R516	RCFT-E561J-000	RESISTOR-CARBON FILM	560ohm 1/5W 5% T
R517	RCFT-F101J-010	RESISTOR-CARBON FILM	100ohm 1/4W 5% T
R518	RCFT-E392J-000	RESISTOR-CARBON FILM	3.9Kohm 1/5W 5% T
R519	RCFT-E183J-000	RESISTOR-CARBON FILM	18Kohm 1/5W 5% T
R520	RCFT-E183J-000	RESISTOR-CARBON FILM	18Kohm 1/5W 5% T
R521	RCFT-E821J-000	RESISTOR-CARBON FILM	820ohm 1/5W 5% T
R522	RCFT-E821J-000	RESISTOR-CARBON FILM	820ohm 1/5W 5% T
R523	RCFT-E122J-000	RESISTOR-CARBON FILM	1.2Kohm 1/5W 5% T
R524	RCFT-E820J-000	RESISTOR-CARBON FILM	82ohm 1/5W 5% T
R525	RCFT-E182J-000	RESISTOR-CARBON FILM	1.8Kohm 1/5W 5% T
R526	RCFT-E202J-000	RESISTOR-CARBON FILM	2Kohm 1/5W 5% T
R527	RCFT-E911J-000	RESISTOR-CARBON FILM	910ohm 1/5W 5% T
R528	RCFT-E682J-000	RESISTOR-CARBON FILM	6.8Kohm 1/5W 5% T
R529	RMOH-H100J-100	RESISTOR-METAL OXIDE	PRO1 1W 10ohm 5% R-SHAPE T
R530	RCFT-E333F-000	RESISTOR-CARBON FILM	33Kohm 1/5W 1% T
R531	RMOH-H330J-100	RESISTOR-METAL OXIDE	PR01 1W 33ohm 5% R-SHAPE T
R532	RMOH-H330J-100	RESISTOR-METAL OXIDE	PR01 1W 33ohm 5% R-SHAPE T
R533	RCFT-E334J-000	RESISTOR-CARBON FILM	330Kohm 1/5W 5% T
R541	RCFT-G152J-190	RESISTOR-CARBON FILM	1.5Kohm 1/2W 5% 2.3x6.5 T
R542	RCFT-G152J-190	RESISTOR-CARBON FILM	1.5Kohm 1/2W 5% 2.3x6.5 T
R543	RCFT-E225J-000	RESISTOR-CARBON FILM	2.2Mohm 1/5W 5% T
R551	RCFT-E102J-000	RESISTOR-CARBON FILM	1Kohm 1/5W 5% T
R552	RCFT-E333J-000	RESISTOR-CARBON FILM	33Kohm 1/5W 5% T
R553	RCFT-E271J-000	RESISTOR-CARBON FILM	270ohm 1/5W 5% T
R554	RCFT-E271J-000	RESISTOR-CARBON FILM	270ohm 1/5W 5% T
R555	RCFT-E201J-000	RESISTOR-CARBON FILM	200ohm 1/5W 5% T
R556	RCFT-E333J-000	RESISTOR-CARBON FILM	33Kohm 1/5W 5% T
R557	RCFT-E172F-000	RESISTOR-CARBON FILM	1.7Kohm 1/5W 1% T
R558	RCFT-E152J-000	RESISTOR-CARBON FILM	1.5Kohm 1/5W 5% T
R559	RCFT-E152J-000	RESISTOR-CARBON FILM	1.5Kohm 1/5W 5% T
R560	RCFT-E561J-000	RESISTOR-CARBON FILM	560ohm 1/5W 5% T
R561	RCFT-E561J-000	RESISTOR-CARBON FILM	560ohm 1/5W 5% T
R562	RCFT-F101J-010	RESISTOR-CARBON FILM	100ohm 1/4W 5% T
R563	RCFT-E561J-000	RESISTOR-CARBON FILM	560ohm 1/5W 5% T
R564	RCFT-E561J-000	RESISTOR-CARBON FILM	560ohm 1/5W 5% T
R565	RCFT-E561J-000	RESISTOR-CARBON FILM	560ohm 1/5W 5% T
R566	RCFT-E561J-000	RESISTOR-CARBON FILM	560ohm 1/5W 5% T
R567	RCFT-F101J-010	RESISTOR-CARBON FILM	100ohm 1/4W 5% T
R568	RCFT-E392J-000	RESISTOR-CARBON FILM	3.9Kohm 1/5W 5% T

REF NO.	PART NO.	DESCRIPTION
<b>ASS'Y AMP PCB</b>		
R569	RCFT-E183J-000	RESISTOR-CARBON FILM 18Kohm 1/5W 5% T
R570	RCFT-E183J-000	RESISTOR-CARBON FILM 18Kohm 1/5W 5% T
R571	RCFT-E821J-000	RESISTOR-CARBON FILM 820ohm 1/5W 5% T
R572	RCFT-E821J-000	RESISTOR-CARBON FILM 820ohm 1/5W 5% T
R573	RCFT-E122J-000	RESISTOR-CARBON FILM 1.2Kohm 1/5W 5% T
R574	RCFT-E820J-000	RESISTOR-CARBON FILM 820ohm 1/5W 5% T
R575	RCFT-E182J-000	RESISTOR-CARBON FILM 1.8Kohm 1/5W 5% T
R576	RCFT-E202J-000	RESISTOR-CARBON FILM 2Kohm 1/5W 5% T
R577	RCFT-E911J-000	RESISTOR-CARBON FILM 910ohm 1/5W 5% T
R578	RCFT-E682J-000	RESISTOR-CARBON FILM 6.8Kohm 1/5W 5% T
R579	RMOH-H100J-300	RESISTOR-METAL OXIDE PRO1 1W 10ohm 5% R-SHAPE T
R580	RCFT-E333F-000	RESISTOR-CARBON FILM 33Kohm 1/5W 1% T
R581	RMOH-H330J-100	RESISTOR-METAL OXIDE PR01 1W 33ohm 5% R-SHAPE T
R582	RMOH-H330J-100	RESISTOR-METAL OXIDE PR01 1W 33ohm 5% R-SHAPE T
R583	RCFT-E334J-000	RESISTOR-CARBON FILM 330Kohm 1/5W 5% T
R591	RCFT-G152J-190	RESISTOR-CARBON FILM 1.5Kohm 1/2W 5% 2.3x6.5 T
R592	RCFT-G152J-190	RESISTOR-CARBON FILM 1.5Kohm 1/2W 5% 2.3x6.5 T
R593	RCFT-E225J-000	RESISTOR-CARBON FILM 2.2Mohm 1/5W 5% T
Q401	TRTA-0011G-SD0	TRANSISTOR P-H FREQ KTA1268-GR TO92
Q402	TRTA-0011G-SD0	TRANSISTOR P-H FREQ KTA1268-GR TO92
Q403	TRTA-0011G-SD0	TRANSISTOR P-H FREQ KTA1268-GR TO92
Q404	TRTA-0011G-SD0	TRANSISTOR P-H FREQ KTA1268-GR TO92
Q405	TRTC-0015G-SD0	TRANSISTOR N-H FREQ KTC3200-GR TO92
Q406	TRTC-0015G-SD0	TRANSISTOR N-H FREQ KTC3200-GR TO92
Q407	TRTA-0011G-SD0	TRANSISTOR P-H FREQ KTA1268-GR TO92
Q408	TRTC-02070-SD0	TRANSISTOR KTC3467-Y
Q410	TRTC-02080-SD0	TRANSISTOR KTA1070-Y
Q411	TRSC-01540-SJ0	TRANSISTOR N-H FREQ 2SC4883A
Q412	TRSA-01450-SJ0	TRANSISTOR N-H FREQ 2SA1859A
Q415	TRTC-0015G-SD0	TRANSISTOR N-H FREQ KTC3200-GR TO92
Q416	TRTC-01700-SD0	TRANSISTOR N-H FREQ KRC107M W/RESIST TO92M
Q451	TRTA-0011G-SD0	TRANSISTOR P-H FREQ KTA1268-GR TO92
Q452	TRTA-0011G-SD0	TRANSISTOR P-H FREQ KTA1268-GR TO92
Q453	TRTA-0011G-SD0	TRANSISTOR P-H FREQ KTA1268-GR TO92
Q454	TRTA-0011G-SD0	TRANSISTOR P-H FREQ KTA1268-GR TO92
Q455	TRTC-0015G-SD0	TRANSISTOR N-H FREQ KTC3200-GR TO92
Q456	TRTC-0015G-SD0	TRANSISTOR N-H FREQ KTC3200-GR TO92
Q457	TRTA-0011G-SD0	TRANSISTOR P-H FREQ KTA1268-GR TO92
Q458	TRTC-02070-SD0	TRANSISTOR KTC3467-Y
Q460	TRTC-02080-SD0	TRANSISTOR KTA1070-Y
Q461	TRSC-01540-SJ0	TRANSISTOR N-H FREQ 2SC4883A
Q462	TRSA-01450-SJ0	TRANSISTOR N-H FREQ 2SA1859A
Q465	TRTC-0015G-SD0	TRANSISTOR N-H FREQ KTC3200-GR TO92
Q466	TRTC-01700-SD0	TRANSISTOR N-H FREQ KRC107M W/RESIST TO92M
Q501	TRTA-0011G-SD0	TRANSISTOR P-H FREQ KTA1268-GR TO92
Q502	TRTA-0011G-SD0	TRANSISTOR P-H FREQ KTA1268-GR TO92
Q503	TRTA-0011G-SD0	TRANSISTOR P-H FREQ KTA1268-GR TO92
Q504	TRTA-0011G-SD0	TRANSISTOR P-H FREQ KTA1268-GR TO92
Q505	TRTC-0015G-SD0	TRANSISTOR N-H FREQ KTC3200-GR TO92
Q506	TRTC-0015G-SD0	TRANSISTOR N-H FREQ KTC3200-GR TO92
Q507	TRTA-0011G-SD0	TRANSISTOR P-H FREQ KTA1268-GR TO92
Q508	TRTC-02070-SD0	TRANSISTOR KTC3467-Y
Q510	TRTC-02080-SD0	TRANSISTOR KTA1070-Y
Q511	TRSC-01540-SJ0	TRANSISTOR N-H FREQ 2SC4883A
Q512	TRSA-01450-SJ0	TRANSISTOR N-H FREQ 2SA1859A
Q515	TRTC-0015G-SD0	TRANSISTOR N-H FREQ KTC3200-GR TO92
Q516	TRTC-01700-SD0	TRANSISTOR N-H FREQ KRC107M W/RESIST TO92M
Q517	TRTC-01700-SD0	TRANSISTOR N-H FREQ KRC107M W/RESIST TO92M
Q518	TRTA-0011G-SD0	TRANSISTOR P-H FREQ KTA1268-GR TO92

REF NO.	PART NO.	DESCRIPTION			
<b>ASSY AMP PCB</b>					
Q519	TRSC-01540-SJ0	TRANSISTOR N-H FREQ	2SC4883A		
Q520	TRSA-01450-SJ0	TRANSISTOR N-H FREQ	2SA1859A		
Q551	TRTA-0011G-SD0	TRANSISTOR P-H FREQ	KTA1268-GR	TO92	
Q552	TRTA-0011G-SD0	TRANSISTOR P-H FREQ	KTA1268-GR	TO92	
Q553	TRTA-0011G-SD0	TRANSISTOR P-H FREQ	KTA1268-GR	TO92	
Q554	TRTA-0011G-SD0	TRANSISTOR P-H FREQ	KTA1268-GR	TO92	
Q555	TRTC-0015G-SD0	TRANSISTOR N-H FREQ	KTC3200-GR	TO92	
Q556	TRTC-0015G-SD0	TRANSISTOR N-H FREQ	KTC3200-GR	TO92	
Q557	TRTA-0011G-SD0	TRANSISTOR P-H FREQ	KTA1268-GR	TO92	
Q558	TRTC-02070-SD0	TRANSISTOR	KTC3467-Y		
Q560	TRTC-02080-SD0	TRANSISTOR	KTA1070-Y		
Q561	TRSC-01540-SJ0	TRANSISTOR N-H FREQ	2SC4883A		
Q562	TRSA-01450-SJ0	TRANSISTOR N-H FREQ	2SA1859A		
Q565	TRTC-0015G-SD0	TRANSISTOR N-H FREQ	KTC3200-GR	TO92	
Q566	TRTC-01700-SD0	TRANSISTOR N-H FREQ	KRC107M	W/RESIST TO92M	
Q567	TRTC-01700-SD0	TRANSISTOR N-H FREQ	KRC107M	W/RESIST TO92M	
Q568	TRTA-0011G-SD0	TRANSISTOR P-H FREQ	KTA1268-GR	TO92	
Q569	TRSC-01540-SJ0	TRANSISTOR N-H FREQ	2SC4883A		
Q570	TRSA-01450-SJ0	TRANSISTOR N-H FREQ	2SA1859A		
CW3	U445-31310-630	WIRE-ASSY	1007#18 ORG/BLK-100 4P		
CW4	UM48-41051-000	WIRE-ASSY	1007#18 RED/BLK/BLU 270 4P		
VR401	VFEB-A022C-471	RESISTOR-SEMI FIXED	RH063MCS2R	470ohm	
VR451	VFEB-A022C-471	RESISTOR-SEMI FIXED	RH063MCS2R	470ohm	
VR501	VFEB-A022C-471	RESISTOR-SEMI FIXED	RH063MCS2R	470ohm	
VR551	VFEB-A022C-471	RESISTOR-SEMI FIXED	RH063MCS2R	470ohm	
<b>ASSY INPUT PCB</b>					
C1	CEET-F470M-CI0	CAPACITOR E/ALUMINUM	47uF	M 25V 5x11	T
C2	CEET-J4R7M-CI0	CAPACITOR E/ALUMINUM	4.7uF	M 50V 5x11	T
C3	CCAT-J101K-AAB	CAPACITOR CERAMIC	100PF	K 50V B T	
C4	CCAT-J390J-AAZ	CAPACITOR CERAMIC	39PF	J 50V SL T	
C5	CEET-J4R7M-CI0	CAPACITOR E/ALUMINUM	4.7uF	M 50V 5x11	T
C6	CCAT-J101K-AAB	CAPACITOR CERAMIC	100PF	K 50V B T	
C7	CEET-F470M-CI0	CAPACITOR E/ALUMINUM	47uF	M 25V 5x11	T
C8	CEET-F470M-CI0	CAPACITOR E/ALUMINUM	47uF	M 25V 5x11	T
C9	CEET-F220M-CI0	CAPACITOR E/ALUMINUM	22uF	M 25V 5x11	T
C10	CEET-F220M-CI0	CAPACITOR E/ALUMINUM	22uF	M 25V 5x11	T
C11	CEET-J4R7M-CI0	CAPACITOR E/ALUMINUM	4.7uF	M 50V 5x11	T
C12	CCAT-J101K-AAB	CAPACITOR CERAMIC	100PF	K 50V B T	
C13	CCAT-J221K-AAB	CAPACITOR CERAMIC	220PF	K 50V B T	
C14	CEET-F470M-CI0	CAPACITOR E/ALUMINUM	47uF	M 25V 5x11	T
C15	CEET-J4R7M-CI0	CAPACITOR E/ALUMINUM	4.7uF	M 50V 5x11	T
C16	CCAT-J101K-AAB	CAPACITOR CERAMIC	100PF	K 50V B T	
C17	CCAT-J221K-AAB	CAPACITOR CERAMIC	220PF	K 50V B T	
C18	CEET-F470M-CI0	CAPACITOR E/ALUMINUM	47uF	M 25V 5x11	T
C19	CEET-F470M-CI0	CAPACITOR E/ALUMINUM	47uF	M 25V 5x11	T
C20	CEET-F470M-CI0	CAPACITOR E/ALUMINUM	47uF	M 25V 5x11	T
C21	CCAT-J101K-AAB	CAPACITOR CERAMIC	100PF	K 50V B T	
C22	CCTT-J560J-0DC	CAPACITOR CERAMIC	56PF	J 50V CH T	
C23	CEET-J4R7M-CI0	CAPACITOR E/ALUMINUM	4.7uF	M 50V 5x11	T
C24	CCTT-J560J-0DC	CAPACITOR CERAMIC	56PF	J 50V CH T	
C25	CEET-J4R7M-CI0	CAPACITOR E/ALUMINUM	4.7uF	M 50V 5x11	T
C26	CEET-F470M-CI0	CAPACITOR E/ALUMINUM	47uF	M 25V 5x11	T
C27	CEET-F470M-CI0	CAPACITOR E/ALUMINUM	47uF	M 25V 5x11	T
C28	CEET-F330M-CI0	CAPACITOR E/ALUMINUM	33uF	M 25V 5x11	T
C29	CCAT-J101K-AAB	CAPACITOR CERAMIC	100PF	K 50V B T	
C30	CEET-F330M-CI0	CAPACITOR E/ALUMINUM	33uF	M 25V 5x11	T
C31	CCAT-J101K-AAB	CAPACITOR CERAMIC	100PF	K 50V B T	
C32	CEET-F330M-CI0	CAPACITOR E/ALUMINUM	33uF	M 25V 5x11	T

REF NO.	PART NO.	DESCRIPTION				
<b>ASSY INPUT PCB</b>						
C33	CCAT-J101K-AAB	CAPACITOR CERAMIC	100PF	K 50V	B T	
C34	CCAT-J101K-AAB	CAPACITOR CERAMIC	100PF	K 50V	B T	
C35	CEET-F330M-CI0	CAPACITOR E/ALUMINUM	33uF	M 25V 5x11		T
C36	CCAT-J101K-AAB	CAPACITOR CERAMIC	100PF	K 50V	B T	
C37	CEET-F330M-CI0	CAPACITOR E/ALUMINUM	33uF	M 25V 5x11		T
C38	CCAT-J101K-AAB	CAPACITOR CERAMIC	100PF	K 50V	B T	
C39	CEET-F330M-CI0	CAPACITOR E/ALUMINUM	33uF	M 25V 5x11		T
C40	CEET-F470M-CI0	CAPACITOR E/ALUMINUM	47uF	M 25V 5x11		T
C41	CEET-F470M-CI0	CAPACITOR E/ALUMINUM	47uF	M 25V 5x11		T
C42	CEET-J4R7M-CI0	CAPACITOR E/ALUMINUM	4.7uF	M 50V 5x11		T
C43	CCTT-J560J-0DC	CAPACITOR CERAMIC	56PF	J 50V	CH T	
C44	CEET-J4R7M-CI0	CAPACITOR E/ALUMINUM	4.7uF	M 50V 5x11		T
C45	CCTT-J560J-0DC	CAPACITOR CERAMIC	56PF	J 50V	CH T	
C46	CCAT-J390J-AAZ	CAPACITOR CERAMIC	39PF	J 50V	SL T	
C47	CEET-F470M-CI0	CAPACITOR E/ALUMINUM	47uF	M 25V 5x11		T
C48	CEET-J1R0M-CI0	CAPACITOR E/ALUMINUM	1.0uF	M 50V 5x11		T
C49	CEET-JR47M-CI0	CAPACITOR E/ALUMINUM	0.47uF	M 50V 5x11		T
C50	CCAT-J101K-AAB	CAPACITOR CERAMIC	100PF	K 50V	B T	
C51	CEET-F470M-CI0	CAPACITOR E/ALUMINUM	47uF	M 25V 5x11		T
C52	CCTT-J560J-0DC	CAPACITOR CERAMIC	56PF	J 50V	CH T	
C53	CEET-J4R7M-CI0	CAPACITOR E/ALUMINUM	4.7uF	M 50V 5x11		T
C54	CCTT-J560J-0DC	CAPACITOR CERAMIC	56PF	J 50V	CH T	
C55	CEET-J4R7M-CI0	CAPACITOR E/ALUMINUM	4.7uF	M 50V 5x11		T
C56	CEET-F470M-CI0	CAPACITOR E/ALUMINUM	47uF	M 25V 5x11		T
C57	CEET-F470M-CI0	CAPACITOR E/ALUMINUM	47uF	M 25V 5x11		T
C58	CFMT-N473J-GK0	CAPACITOR F/POLYESTR	0.047uF	J 100V 8.9x13.		T
C59	CFMT-N473J-GK0	CAPACITOR F/POLYESTR	0.047uF	J 100V 8.9x13.		T
C60	CFMT-N473J-GK0	CAPACITOR F/POLYESTR	0.047uF	J 100V 8.9x13.		T
C61	CEEM-G222M-LR1	CAPACITOR E/ALUMINUM	2200uF	M 35V 16x31.5		U M
C62	CEEM-G222M-LR1	CAPACITOR E/ALUMINUM	2200uF	M 35V 16x31.5		U M
C63	CCAT-J104Z-AAF	CAPACITOR CERAMIC	0.1uF	Z 50V	F T	
C64	CCAT-J104Z-AAF	CAPACITOR CERAMIC	0.1uF	Z 50V	F T	
C65	CCAT-J104Z-AAF	CAPACITOR CERAMIC	0.1uF	Z 50V	F T	
C66	CCCT-J104Z-OFF	CAPACITOR CERAMIC	0.1uF	Z 50V	F T	
C67	CEET-F330M-CI0	CAPACITOR E/ALUMINUM	33uF	M 25V 5x11		T
C68	CCAT-J101K-AAB	CAPACITOR CERAMIC	100PF	K 50V	B T	
C69	CEET-F330M-CI0	CAPACITOR E/ALUMINUM	33uF	M 25V 5x11		T
C70	CCAT-J101K-AAB	CAPACITOR CERAMIC	100PF	K 50V	B T	
C71	CEET-F330M-CI0	CAPACITOR E/ALUMINUM	33uF	M 25V 5x11		T
C72	CCAT-J101K-AAB	CAPACITOR CERAMIC	100PF	K 50V	B T	
C73	CEET-J100M-CI0	CAPACITOR E/ALUMINUM	10uF	M 50V 5x11		T
C74	CEET-J1R0M-CI0	CAPACITOR E/ALUMINUM	1.0uF	M 50V 5x11		T
C75	CCAT-J390J-AAZ	CAPACITOR CERAMIC	39PF	J 50V	SL T	
C76	CEET-F470M-CI0	CAPACITOR E/ALUMINUM	47uF	M 25V 5x11		T
C77	CEET-F470M-CI0	CAPACITOR E/ALUMINUM	47uF	M 25V 5x11		T
C78	CCAT-J390J-AAZ	CAPACITOR CERAMIC	39PF	J 50V	SL T	
C79	CCAT-J101K-AAB	CAPACITOR CERAMIC	100PF	K 50V	B T	
C80	CFMT-N473J-GK0	CAPACITOR F/POLYESTR	0.047uF	J 100V 8.9x13.		T
C81	CFMT-N473J-GK0	CAPACITOR F/POLYESTR	0.047uF	J 100V 8.9x13.		T
C82	CEET-F330M-CI0	CAPACITOR E/ALUMINUM	33uF	M 25V 5x11		T
C83	CCAT-J101K-AAB	CAPACITOR CERAMIC	100PF	K 50V	B T	
C84	CEET-F330M-CI0	CAPACITOR E/ALUMINUM	33uF	M 25V 5x11		T
C85	CCAT-J101K-AAB	CAPACITOR CERAMIC	100PF	K 50V	B T	
C86	CCAT-J104Z-AAF	CAPACITOR CERAMIC	0.1uF	Z 50V	F T	
C87	CCAT-J104Z-AAF	CAPACITOR CERAMIC	0.1uF	Z 50V	F T	
C88	CEEC-F332M-LP1	CAPACITOR E/ALUMINUM	3300uF	M 25V 16x25		C
C89	CCAT-J104Z-AAF	CAPACITOR CERAMIC	0.1uF	Z 50V	F T	
C90	CEET-F330M-CI0	CAPACITOR E/ALUMINUM	33uF	M 25V 5x11		T
C91	CEET-F470M-CI0	CAPACITOR E/ALUMINUM	47uF	M 25V 5x11		T

REF NO.	PART NO.	DESCRIPTION
<b>ASSY INPUT PCB</b>		
C92	CEET-F470M-CI0	CAPACITOR E/ALUMINUM 47uF M 25V 5x11 T
C93	CEET-G471M-HN1	CAPACITOR E/ALUMINUM 470uF M 35V 13x16 U T
C94	CEET-F470M-CI0	CAPACITOR E/ALUMINUM 47uF M 25V 5x11 T
C95	CFMT-N473J-GK0	CAPACITOR F/POLYESTR 0.047uF J 100V 8.9x13. T
C96	CEET-F220M-CI0	CAPACITOR E/ALUMINUM 22uF M 25V 5x11 T
C97	CEET-J4R7M-CI0	CAPACITOR E/ALUMINUM 4.7uF M 50V 5x11 T
C98	CCTT-J560J-0DC	CAPACITOR CERAMIC 56PF J 50V CH T
C99	CEET-J4R7M-CI0	CAPACITOR E/ALUMINUM 4.7uF M 50V 5x11 T
C100	CFMT-N473J-GK0	CAPACITOR F/POLYESTR 0.047uF J 100V 8.9x13. T
C101	CCTT-J560J-0DC	CAPACITOR CERAMIC 56PF J 50V CH T
C102	CEET-J100M-CI0	CAPACITOR E/ALUMINUM 10uF M 50V 5x11 T
C103	CEET-J1R0M-CI0	CAPACITOR E/ALUMINUM 1.0uF M 50V 5x11 T
C104	CFMT-N473J-GK0	CAPACITOR F/POLYESTR 0.047uF J 100V 8.9x13. T
C105	CEET-F220M-CI0	CAPACITOR E/ALUMINUM 22uF M 25V 5x11 T
C106	CCAT-J101K-AAB	CAPACITOR CERAMIC 100PF K 50V B T
C107	CCAT-J101K-AAB	CAPACITOR CERAMIC 100PF K 50V B T
C108	CEET-F470M-CI0	CAPACITOR E/ALUMINUM 47uF M 25V 5x11 T
C109	CEET-F470M-CI0	CAPACITOR E/ALUMINUM 47uF M 25V 5x11 T
C110	CEET-F470M-CI0	CAPACITOR E/ALUMINUM 47uF M 25V 5x11 T
C111	CEET-F470M-CI0	CAPACITOR E/ALUMINUM 47uF M 25V 5x11 T
C112	CCAT-J221K-AAB	CAPACITOR CERAMIC 220PF K 50V B T
C113	CCAT-J221K-AAB	CAPACITOR CERAMIC 220PF K 50V B T
C114	CEET-F470M-CI0	CAPACITOR E/ALUMINUM 47uF M 25V 5x11 T
C115	CEET-F470M-CI0	CAPACITOR E/ALUMINUM 47uF M 25V 5x11 T
C116	CEET-J4R7M-CI0	CAPACITOR E/ALUMINUM 4.7uF M 50V 5x11 T
C117	CCAT-J101K-AAB	CAPACITOR CERAMIC 100PF K 50V B T
C118	CEET-J4R7M-CI0	CAPACITOR E/ALUMINUM 4.7uF M 50V 5x11 T
C119	CCAT-J101K-AAB	CAPACITOR CERAMIC 100PF K 50V B T
C120	CEET-F471M-HL1	CAPACITOR E/ALUMINUM 470uF M 25V 10x16 U T
C121	CEET-F220M-CI0	CAPACITOR E/ALUMINUM 22uF M 25V 5x11 T
C122	CEET-F220M-CI0	CAPACITOR E/ALUMINUM 22uF M 25V 5x11 T
C123	CEET-F470M-CI0	CAPACITOR E/ALUMINUM 47uF M 25V 5x11 T
C124	CEET-F470M-CI0	CAPACITOR E/ALUMINUM 47uF M 25V 5x11 T
C125	CEET-J4R7M-CI0	CAPACITOR E/ALUMINUM 4.7uF M 50V 5x11 T
C126	CCAT-J101K-AAB	CAPACITOR CERAMIC 100PF K 50V B T
C127	CEET-J4R7M-CI0	CAPACITOR E/ALUMINUM 4.7uF M 50V 5x11 T
C128	CCAT-J101K-AAB	CAPACITOR CERAMIC 100PF K 50V B T
C129	CCAT-J104Z-AAF	CAPACITOR CERAMIC 0.1uF Z 50V F T
C130	CEEM-G222M-LR1	CAPACITOR E/ALUMINUM 2200uF M 35V 16x31.5 U M
C131	CEET-J100M-CI0	CAPACITOR E/ALUMINUM 10uF M 50V 5x11 T
C132	CEET-J100M-CI0	CAPACITOR E/ALUMINUM 10uF M 50V 5x11 T
C133	CCAT-J104Z-AAF	CAPACITOR CERAMIC 0.1uF Z 50V F T
C138	CEET-F471M-HL1	CAPACITOR E/ALUMINUM 470uF M 25V 10x16 U T
C139	CCCT-J104Z-0FF	CAPACITOR CERAMIC 0.1uF Z 50V F T
C150	CEET-F470M-CI0	CAPACITOR E/ALUMINUM 47uF M 25V 5x11 T
D1	DDTS-00070-SO0	DIODE-SI 1SS133 (40V 0.11A) DO-40 T
D2	DDTS-00070-SO0	DIODE-SI 1SS133 (40V 0.11A) DO-40 T
D3	DDTR-00040-T10	DIODE-RECTIFIER 1N4004S(400V 1A 0.6mm) T
D4	DDTS-00070-SO0	DIODE-SI 1SS133 (40V 0.11A) DO-40 T
D6	DDTR-00040-T10	DIODE-RECTIFIER 1N4004S(400V 1A 0.6mm) T
D7	DDTR-00040-T10	DIODE-RECTIFIER 1N4004S(400V 1A 0.6mm) T
D8	DDTR-00040-T10	DIODE-RECTIFIER 1N4004S(400V 1A 0.6mm) T
D9	DDTR-00040-T10	DIODE-RECTIFIER 1N4004S(400V 1A 0.6mm) T
D10	DDTS-00070-SO0	DIODE-SI 1SS133 (40V 0.11A) DO-40 T
D11	DDTS-00070-SO0	DIODE-SI 1SS133 (40V 0.11A) DO-40 T
D12	DDTR-00040-T10	DIODE-RECTIFIER 1N4004S(400V 1A 0.6mm) T
D15	DDTZ-G091B-SO0	DIODE ZENER MTZ9.1B 9.01 DO40 T
D19	DDTR-00040-T10	DIODE-RECTIFIER 1N4004S(400V 1A 0.6mm) T
D20	DDTR-00040-T10	DIODE-RECTIFIER 1N4004S(400V 1A 0.6mm) T



REF NO.	PART NO.	DESCRIPTION	
<b>ASSY INPUT PCB</b>			
D21	DDTR-00040-T10	DIODE-RECTIFIER	1N4004S(400V 1A 0.6mm) T
D22	DDTR-00040-T10	DIODE-RECTIFIER	1N4004S(400V 1A 0.6mm) T
D23	DDTR-00040-T10	DIODE-RECTIFIER	1N4004S(400V 1A 0.6mm) T
D24	DDTS-00070-SO0	DIODE-SI	1SS133 (40V 0.11A) DO-40 T
D25	DDTZ-G051B-SOS	DIODE ZENER	MTZJ5.1B 4.94-5.20 DO34 T
D26	DDTS-00070-SO0	DIODE-SI	1SS133 (40V 0.11A) DO-40 T
D33	DDTR-00040-T10	DIODE-RECTIFIER	1N4004S(400V 1A 0.6mm) T
D34	DDTR-00040-T10	DIODE-RECTIFIER	1N4004S(400V 1A 0.6mm) T
D35	DDTS-00070-SO0	DIODE-SI	1SS133 (40V 0.11A) DO-40 T
D36	DDTS-00070-SO0	DIODE-SI	1SS133 (40V 0.11A) DO-40 T
D37	DDTR-00040-T10	DIODE-RECTIFIER	1N4004S(400V 1A 0.6mm) T
D38	DDTR-00040-T10	DIODE-RECTIFIER	1N4004S(400V 1A 0.6mm) T
D39	DDTR-00040-T10	DIODE-RECTIFIER	1N4004S(400V 1A 0.6mm) T
D40	DDTR-00040-T10	DIODE-RECTIFIER	1N4004S(400V 1A 0.6mm) T
RLY1	ESRY-00220-12K	RELAY	RSB-12-S
RLY3	ESRY-00220-12K	RELAY	RSB-12-S
IC1	ICOP-00131-SE0	IC DUAL OP AMP	KA4558C DIP8
IC2	ICOP-00131-SE0	IC DUAL OP AMP	KA4558C DIP8
IC3	ICOP-00131-SE0	IC DUAL OP AMP	KA4558C DIP8
IC4	ICOP-00131-SE0	IC DUAL OP AMP	KA4558C DIP8
IC5	ICOP-00131-SE0	IC DUAL OP AMP	KA4558C DIP8
IC6	ICRG-00061-SE0	IC REGULATOR	KA7815 15V 3mm TO-220
IC7	ICRG-00251-SE0	IC REGULATOR	KA7915 15V 3mm TO-220
IC8	ICRG-00043-SE0	IC REGULATOR	KA7805 5V 3mm TO-220
IC9	ICLN-03870-SD0	IC	TC9482N
IC10	ICOP-00131-SE0	IC DUAL OP AMP	KA4558C DIP8
IC11	ICOP-00131-SE0	IC DUAL OP AMP	KA4558C DIP8
IC12	ICOP-00131-SE0	IC DUAL OP AMP	KA4558C DIP8
IC13	ICOP-00131-SE0	IC DUAL OP AMP	KA4558C DIP8
IC14	ICOP-00131-SE0	IC DUAL OP AMP	KA4558C DIP8
IC15	ICOP-00131-SE0	IC DUAL OP AMP	KA4558C DIP8
IC16	ICOP-00131-SE0	IC DUAL OP AMP	KA4558C DIP8
IC17	ICRG-00218-SE0	IC REGULATOR	KA7812 12V 3A TO-220
IC18	ICLN-03870-SD0	IC	TC9482N
IC25	ICRG-00218-SE0	IC REGULATOR	KA7812 12V 3A TO-220
CP6	KNCW-00140-5TM	CONNECTOR-WAFER	5267-05A 2.5mm MILK
CP7	KNCW-00140-5TM	CONNECTOR-WAFER	5267-05A 2.5mm MILK
CP8	KNCW-00760-IT0	CONNECTOR-WAFER	8370-181 1.25mm TOP 18P
CP9	KNCW-00760-MT0	CONNECTOR-WAFER	8370-221 1.25mm TOP 22P
CP10	KNCW-00760-MT0	CONNECTOR-WAFER	8370-221 1.25mm TOP 22P
	MEAC-08213-004	RADIATOR-TR	
FC1	MPAC-11620-004	FUSE CLIP	5.2Pi TAPPING TYPE
FC2	MPAC-11620-004	FUSE CLIP	5.2Pi TAPPING TYPE
FC3	MPAC-11620-004	FUSE CLIP	5.2Pi TAPPING TYPE
FC4	MPAC-11620-004	FUSE CLIP	5.2Pi TAPPING TYPE
FC5	MPAC-11620-004	FUSE CLIP	5.2Pi TAPPING TYPE
FC6	MPAC-11620-004	FUSE CLIP	5.2Pi TAPPING TYPE
FC7	MPAC-11620-004	FUSE CLIP	5.2Pi TAPPING TYPE
FC8	MPAC-11620-004	FUSE CLIP	5.2Pi TAPPING TYPE
FC9	MPAC-11620-004	FUSE CLIP	5.2Pi TAPPING TYPE
FC10	MPAC-11620-004	FUSE CLIP	5.2Pi TAPPING TYPE
FC11	MPAC-11620-004	FUSE CLIP	5.2Pi TAPPING TYPE
FC12	MPAC-11620-004	FUSE CLIP	5.2Pi TAPPING TYPE
	MPAC-13660-004	HOLDER-PC	
IN PCB	PCSA-05670-11B	PCB-SINGLE	A1A-567 330x247x1.6t
R1	RCFT-E102J-000	RESISTOR-CARBON FILM	1Kohm 1/5W 5% T
R2	RCFT-E104J-000	RESISTOR-CARBON FILM	100Kohm 1/5W 5% T
R3	RCFT-E102J-000	RESISTOR-CARBON FILM	1Kohm 1/5W 5% T
R4	RCFT-E104J-000	RESISTOR-CARBON FILM	100Kohm 1/5W 5% T

REF NO.	PART NO.	DESCRIPTION
<b>ASSY INPUT PCB</b>		
R5	RCFT-E101J-000	RESISTOR-CARBON FILM 100ohm 1/5W 5% T
R6	RCFT-E101J-000	RESISTOR-CARBON FILM 100ohm 1/5W 5% T
R7	RCFT-E102J-000	RESISTOR-CARBON FILM 1Kohm 1/5W 5% T
R8	RCFT-E104J-000	RESISTOR-CARBON FILM 100Kohm 1/5W 5% T
R9	RCFT-E104J-000	RESISTOR-CARBON FILM 100Kohm 1/5W 5% T
R10	RCFT-E821J-000	RESISTOR-CARBON FILM 820ohm 1/5W 5% T
R11	RCFT-E102J-000	RESISTOR-CARBON FILM 1Kohm 1/5W 5% T
R12	RCFT-E104J-000	RESISTOR-CARBON FILM 100Kohm 1/5W 5% T
R13	RCFT-E104J-000	RESISTOR-CARBON FILM 100Kohm 1/5W 5% T
R14	RCFT-E821J-000	RESISTOR-CARBON FILM 820ohm 1/5W 5% T
R15	RCFT-E101J-000	RESISTOR-CARBON FILM 100ohm 1/5W 5% T
R16	RCFT-E101J-000	RESISTOR-CARBON FILM 100ohm 1/5W 5% T
R17	RCFT-E332J-000	RESISTOR-CARBON FILM 3.3Kohm 1/5W 5% T
R18	RCFT-E332J-000	RESISTOR-CARBON FILM 3.3Kohm 1/5W 5% T
R19	RCFT-E332J-000	RESISTOR-CARBON FILM 3.3Kohm 1/5W 5% T
R20	RCFT-E332J-000	RESISTOR-CARBON FILM 3.3Kohm 1/5W 5% T
R21	RCFT-E152J-000	RESISTOR-CARBON FILM 1.5Kohm 1/5W 5% T
R22	RCFT-E104J-000	RESISTOR-CARBON FILM 100Kohm 1/5W 5% T
R23	RCFT-E152J-000	RESISTOR-CARBON FILM 1.5Kohm 1/5W 5% T
R24	RCFT-E104J-000	RESISTOR-CARBON FILM 100Kohm 1/5W 5% T
R25	RCFT-E101J-000	RESISTOR-CARBON FILM 100ohm 1/5W 5% T
R26	RCFT-E101J-000	RESISTOR-CARBON FILM 100ohm 1/5W 5% T
R27	RCFT-E332J-000	RESISTOR-CARBON FILM 3.3Kohm 1/5W 5% T
R28	RCFT-E332J-000	RESISTOR-CARBON FILM 3.3Kohm 1/5W 5% T
R29	RCFT-E221J-000	RESISTOR-CARBON FILM 220ohm 1/5W 5% T
R30	RCFT-E683J-000	RESISTOR-CARBON FILM 68Kohm 1/5W 5% T
R31	RCFT-E221J-000	RESISTOR-CARBON FILM 220ohm 1/5W 5% T
R32	RCFT-E683J-000	RESISTOR-CARBON FILM 68Kohm 1/5W 5% T
R33	RCFT-E221J-000	RESISTOR-CARBON FILM 220ohm 1/5W 5% T
R34	RCFT-E683J-000	RESISTOR-CARBON FILM 68Kohm 1/5W 5% T
R35	RCFT-E472J-000	RESISTOR-CARBON FILM 4.7Kohm 1/5W 5% T
R36	RCFT-E103J-000	RESISTOR-CARBON FILM 10Kohm 1/5W 5% T
R37	RCFT-E472J-000	RESISTOR-CARBON FILM 4.7Kohm 1/5W 5% T
R38	RCFT-E101J-000	RESISTOR-CARBON FILM 100ohm 1/5W 5% T
R39	RCFT-E472J-000	RESISTOR-CARBON FILM 4.7Kohm 1/5W 5% T
R41	RCFT-E472J-000	RESISTOR-CARBON FILM 4.7Kohm 1/5W 5% T
R42	RCFT-E683J-000	RESISTOR-CARBON FILM 68Kohm 1/5W 5% T
R43	RCFT-E221J-000	RESISTOR-CARBON FILM 220ohm 1/5W 5% T
R44	RCFT-E683J-000	RESISTOR-CARBON FILM 68Kohm 1/5W 5% T
R45	RCFT-E221J-000	RESISTOR-CARBON FILM 220ohm 1/5W 5% T
R46	RCFT-E683J-000	RESISTOR-CARBON FILM 68Kohm 1/5W 5% T
R47	RCFT-E221J-000	RESISTOR-CARBON FILM 220ohm 1/5W 5% T
R48	RCFT-E332J-000	RESISTOR-CARBON FILM 3.3Kohm 1/5W 5% T
R49	RCFT-E332J-000	RESISTOR-CARBON FILM 3.3Kohm 1/5W 5% T
R50	RCFT-E101J-000	RESISTOR-CARBON FILM 100ohm 1/5W 5% T
R51	RCFT-E101J-000	RESISTOR-CARBON FILM 100ohm 1/5W 5% T
R52	RCFT-E104J-000	RESISTOR-CARBON FILM 100Kohm 1/5W 5% T
R53	RCFT-E152J-000	RESISTOR-CARBON FILM 1.5Kohm 1/5W 5% T
R54	RCFT-E104J-000	RESISTOR-CARBON FILM 100Kohm 1/5W 5% T
R55	RCFT-E273J-000	RESISTOR-CARBON FILM 27Kohm 1/5W 5% T
R56	RCFT-E273J-000	RESISTOR-CARBON FILM 27Kohm 1/5W 5% T
R57	RCFT-E911J-000	RESISTOR-CARBON FILM 910ohm 1/5W 5% T
R58	RCFT-E302J-000	RESISTOR-CARBON FILM 3Kohm 1/5W 5% T
R59	RCFT-E242J-000	RESISTOR-CARBON FILM 2.4Kohm 1/5W 5% T
R60	RCFT-E222J-000	RESISTOR-CARBON FILM 2.2Kohm 1/5W 5% T
R61	RCFT-E390J-000	RESISTOR-CARBON FILM 39ohm 1/5W 5% T
R62	RMOH-H100J-300	RESISTOR-METAL OXIDE PRO1 1W 10ohm 5% R-SHAPE T
R63	RMOH-H100J-300	RESISTOR-METAL OXIDE PRO1 1W 10ohm 5% R-SHAPE T
R64	RMOH-H100J-100	RESISTOR-METAL OXIDE PRO1 1W 10ohm 5% R-SHAPE T

REF NO.	PART NO.	DESCRIPTION
<b>ASSY INPUT PCB</b>		
R65	RCFT-E822J-000	RESISTOR-CARBON FILM 8.2Kohm 1/5W 5% T
R66	RCFT-E152J-000	RESISTOR-CARBON FILM 1.5Kohm 1/5W 5% T
R67	RCFT-E152J-000	RESISTOR-CARBON FILM 1.5Kohm 1/5W 5% T
R68	RCFT-E104J-000	RESISTOR-CARBON FILM 100Kohm 1/5W 5% T
R69	RCFT-E152J-000	RESISTOR-CARBON FILM 1.5Kohm 1/5W 5% T
R70	RCFT-E104J-000	RESISTOR-CARBON FILM 100Kohm 1/5W 5% T
R71	RCFT-E101J-000	RESISTOR-CARBON FILM 100ohm 1/5W 5% T
R72	RCFT-E101J-000	RESISTOR-CARBON FILM 100ohm 1/5W 5% T
R73	RCFT-E332J-000	RESISTOR-CARBON FILM 3.3Kohm 1/5W 5% T
R74	RCFT-E332J-000	RESISTOR-CARBON FILM 3.3Kohm 1/5W 5% T
R75	RCFT-E221J-000	RESISTOR-CARBON FILM 220ohm 1/5W 5% T
R76	RCFT-E683J-000	RESISTOR-CARBON FILM 68Kohm 1/5W 5% T
R77	RCFT-E221J-000	RESISTOR-CARBON FILM 220ohm 1/5W 5% T
R78	RCFT-E683J-000	RESISTOR-CARBON FILM 68Kohm 1/5W 5% T
R79	RCFT-E221J-000	RESISTOR-CARBON FILM 220ohm 1/5W 5% T
R80	RCFT-E683J-000	RESISTOR-CARBON FILM 68Kohm 1/5W 5% T
R81	RCFT-E105J-000	RESISTOR-CARBON FILM 1Mohm 1/5W 5% T
R82	RCFT-E472J-000	RESISTOR-CARBON FILM 4.7Kohm 1/5W 5% T
R83	RCFT-E472J-000	RESISTOR-CARBON FILM 4.7Kohm 1/5W 5% T
R84	RCFT-E181J-000	RESISTOR-CARBON FILM 180ohm 1/5W 5% T
R86	RCFT-E105J-000	RESISTOR-CARBON FILM 1Mohm 1/5W 5% T
R87	RCFT-E101J-000	RESISTOR-CARBON FILM 100ohm 1/5W 5% T
R88	RCFT-E101J-000	RESISTOR-CARBON FILM 100ohm 1/5W 5% T
R89	RCFT-E105J-000	RESISTOR-CARBON FILM 1Mohm 1/5W 5% T
R91	RCFT-E105J-000	RESISTOR-CARBON FILM 1Mohm 1/5W 5% T
R92	RCFT-E683J-000	RESISTOR-CARBON FILM 68Kohm 1/5W 5% T
R93	RCFT-E221J-000	RESISTOR-CARBON FILM 220ohm 1/5W 5% T
R94	RCFT-E683J-000	RESISTOR-CARBON FILM 68Kohm 1/5W 5% T
R95	RCFT-E221J-000	RESISTOR-CARBON FILM 220ohm 1/5W 5% T
R96	RCFT-E683J-000	RESISTOR-CARBON FILM 68Kohm 1/5W 5% T
R97	RCFT-E221J-000	RESISTOR-CARBON FILM 220ohm 1/5W 5% T
R98	RCFT-E332J-000	RESISTOR-CARBON FILM 3.3Kohm 1/5W 5% T
R99	RCFT-E332J-000	RESISTOR-CARBON FILM 3.3Kohm 1/5W 5% T
R100	RCFT-E101J-000	RESISTOR-CARBON FILM 100ohm 1/5W 5% T
R102	RCFT-E101J-000	RESISTOR-CARBON FILM 100ohm 1/5W 5% T
R103	RCFT-E104J-000	RESISTOR-CARBON FILM 100Kohm 1/5W 5% T
R104	RCFT-E152J-000	RESISTOR-CARBON FILM 1.5Kohm 1/5W 5% T
R105	RCFT-E104J-000	RESISTOR-CARBON FILM 100Kohm 1/5W 5% T
R107	RCFT-E102J-000	RESISTOR-CARBON FILM 1Kohm 1/5W 5% T
R108	RCFT-E472J-000	RESISTOR-CARBON FILM 4.7Kohm 1/5W 5% T
R109	RCFT-E152J-000	RESISTOR-CARBON FILM 1.5Kohm 1/5W 5% T
R110	RCFT-E101J-000	RESISTOR-CARBON FILM 100ohm 1/5W 5% T
R112	RCFT-E153J-000	RESISTOR-CARBON FILM 15Kohm 1/5W 5% T
R113	RCFT-E822J-000	RESISTOR-CARBON FILM 8.2Kohm 1/5W 5% T
R114	RCFT-E104J-000	RESISTOR-CARBON FILM 100Kohm 1/5W 5% T
R115	RCFT-E104J-000	RESISTOR-CARBON FILM 100Kohm 1/5W 5% T
R116	RCFT-E101J-000	RESISTOR-CARBON FILM 100ohm 1/5W 5% T
R117	RCFT-E101J-000	RESISTOR-CARBON FILM 100ohm 1/5W 5% T
R118	RCFT-E101J-000	RESISTOR-CARBON FILM 100ohm 1/5W 5% T
R119	RCFT-E101J-000	RESISTOR-CARBON FILM 100ohm 1/5W 5% T
R120	RCFT-E181J-000	RESISTOR-CARBON FILM 180ohm 1/5W 5% T
R121	RCFT-E472J-000	RESISTOR-CARBON FILM 4.7Kohm 1/5W 5% T
R122	RCFT-E390J-000	RESISTOR-CARBON FILM 39ohm 1/5W 5% T
R123	RCFT-E273J-000	RESISTOR-CARBON FILM 27Kohm 1/5W 5% T
R124	RCFT-E432J-000	RESISTOR-CARBON FILM 4.3Kohm 1/5W 5% T
R125	RCFT-E103J-000	RESISTOR-CARBON FILM 10Kohm 1/5W 5% T
R126	RCFT-E222J-000	RESISTOR-CARBON FILM 2.2Kohm 1/5W 5% T
R127	RCFT-E273J-000	RESISTOR-CARBON FILM 27Kohm 1/5W 5% T
R128	RCFT-E390J-000	RESISTOR-CARBON FILM 39ohm 1/5W 5% T

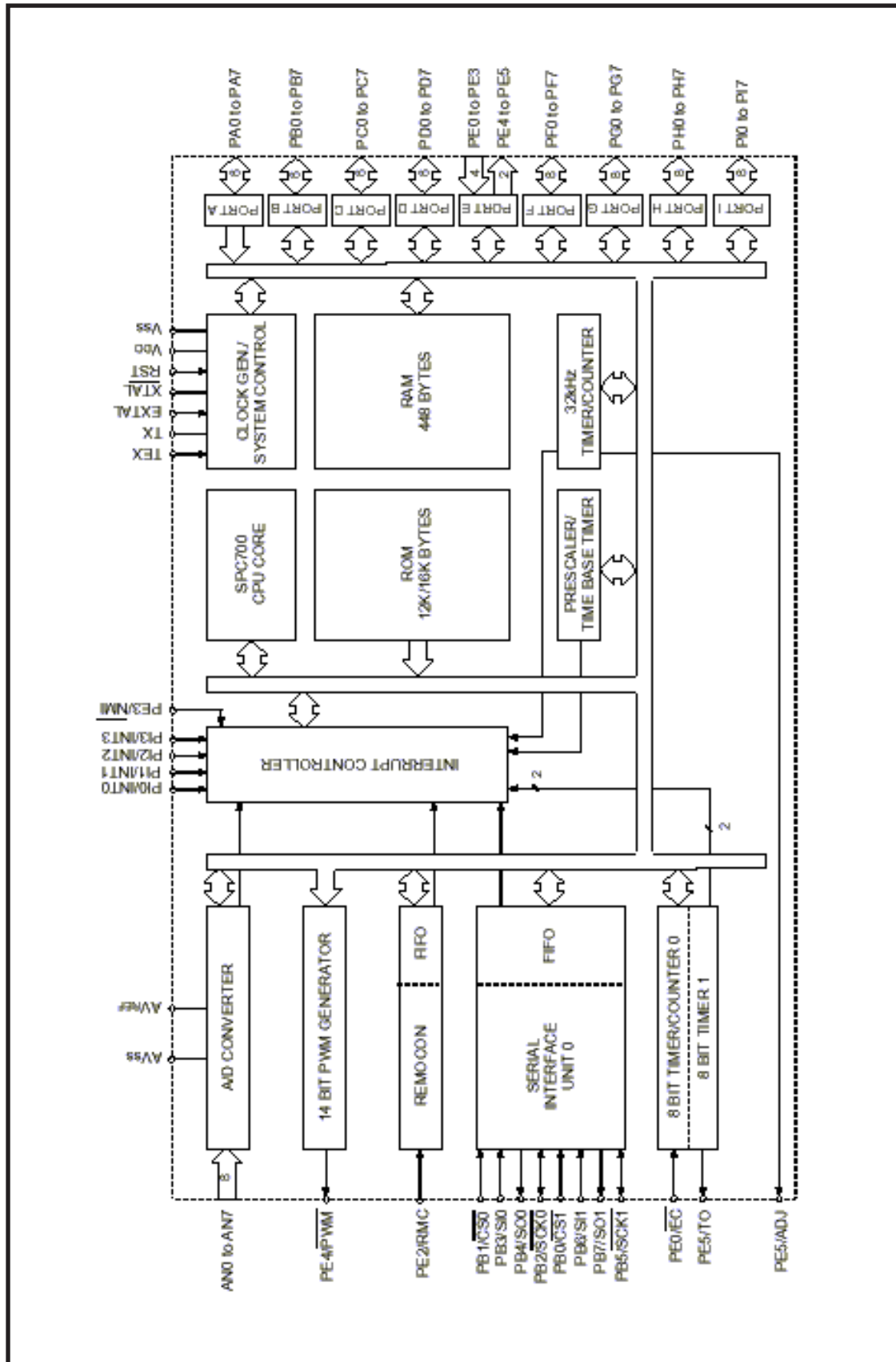
REF NO.	PART NO.	DESCRIPTION
<b>ASSY INPUT PCB</b>		
R129	RCFT-E153J-000	RESISTOR-CARBON FILM 15Kohm 1/5W 5% T
R130	RCFT-E472J-000	RESISTOR-CARBON FILM 4.7Kohm 1/5W 5% T
R131	RCFT-E102J-000	RESISTOR-CARBON FILM 1Kohm 1/5W 5% T
R132	RCFT-E102J-000	RESISTOR-CARBON FILM 1Kohm 1/5W 5% T
R133	RCFT-E102J-000	RESISTOR-CARBON FILM 1Kohm 1/5W 5% T
R134	RCFT-E102J-000	RESISTOR-CARBON FILM 1Kohm 1/5W 5% T
R135	RCFT-E102J-000	RESISTOR-CARBON FILM 1Kohm 1/5W 5% T
R136	RCFT-E102J-000	RESISTOR-CARBON FILM 1Kohm 1/5W 5% T
R137	RCFT-E105J-000	RESISTOR-CARBON FILM 1Mohm 1/5W 5% T
R139	RCFT-E105J-000	RESISTOR-CARBON FILM 1Mohm 1/5W 5% T
R140	RCFT-E105J-000	RESISTOR-CARBON FILM 1Mohm 1/5W 5% T
R142	RCFT-E105J-000	RESISTOR-CARBON FILM 1Mohm 1/5W 5% T
R143	RCFT-E472J-000	RESISTOR-CARBON FILM 4.7Kohm 1/5W 5% T
R145	RCFT-E472J-000	RESISTOR-CARBON FILM 4.7Kohm 1/5W 5% T
R146	RCFT-E472J-000	RESISTOR-CARBON FILM 4.7Kohm 1/5W 5% T
R148	RCFT-E472J-000	RESISTOR-CARBON FILM 4.7Kohm 1/5W 5% T
R149	RCFT-E273J-000	RESISTOR-CARBON FILM 27Kohm 1/5W 5% T
R150	RCFT-E222J-000	RESISTOR-CARBON FILM 2.2Kohm 1/5W 5% T
R151	RCFT-E103J-000	RESISTOR-CARBON FILM 10Kohm 1/5W 5% T
R152	RCFT-E432J-000	RESISTOR-CARBON FILM 4.3Kohm 1/5W 5% T
R153	RCFT-E332J-000	RESISTOR-CARBON FILM 3.3Kohm 1/5W 5% T
R154	RCFT-E332J-000	RESISTOR-CARBON FILM 3.3Kohm 1/5W 5% T
R155	RCFT-E332J-000	RESISTOR-CARBON FILM 3.3Kohm 1/5W 5% T
R156	RCFT-E332J-000	RESISTOR-CARBON FILM 3.3Kohm 1/5W 5% T
R157	RCFT-E104J-000	RESISTOR-CARBON FILM 100Kohm 1/5W 5% T
R158	RCFT-E104J-000	RESISTOR-CARBON FILM 100Kohm 1/5W 5% T
R159	RCFT-E821J-000	RESISTOR-CARBON FILM 820ohm 1/5W 5% T
R160	RCFT-E821J-000	RESISTOR-CARBON FILM 820ohm 1/5W 5% T
R161	RCFT-E104J-000	RESISTOR-CARBON FILM 100Kohm 1/5W 5% T
R162	RCFT-E104J-000	RESISTOR-CARBON FILM 100Kohm 1/5W 5% T
R163	RCFT-E101J-000	RESISTOR-CARBON FILM 100ohm 1/5W 5% T
R164	RCFT-E101J-000	RESISTOR-CARBON FILM 100ohm 1/5W 5% T
R165	RCFT-E104J-000	RESISTOR-CARBON FILM 100Kohm 1/5W 5% T
R166	RCFT-E102J-000	RESISTOR-CARBON FILM 1Kohm 1/5W 5% T
R167	RCFT-E104J-000	RESISTOR-CARBON FILM 100Kohm 1/5W 5% T
R168	RCFT-E102J-000	RESISTOR-CARBON FILM 1Kohm 1/5W 5% T
R169	RCFT-E101J-000	RESISTOR-CARBON FILM 100ohm 1/5W 5% T
R170	RCFT-E101J-000	RESISTOR-CARBON FILM 100ohm 1/5W 5% T
R171	RCFT-E104J-000	RESISTOR-CARBON FILM 100Kohm 1/5W 5% T
R172	RCFT-E102J-000	RESISTOR-CARBON FILM 1Kohm 1/5W 5% T
R173	RCFT-E104J-000	RESISTOR-CARBON FILM 100Kohm 1/5W 5% T
R174	RCFT-E102J-000	RESISTOR-CARBON FILM 1Kohm 1/5W 5% T
R175	RMOH-H100J-100	RESISTOR-METAL OXIDE PRO1 1W 10ohm 5% R-SHAPE T
R195	RMOH-H100J-100	RESISTOR-METAL OXIDE PRO1 1W 10ohm 5% R-SHAPE T
JK1	SKRC-00402-040	SOCKET-RCA JK0400450G 4P
JK2	SKPH-00410-360	SOCKET-PHONE SHQ8596-01-0101
JK3	SKRC-00291-020	SOCKET-RCA JK0200440G (GOLD) 2P
SW1	SWSL-01000-098	SLIDE SWITCH SSAF122NB
SW2	SWSL-01000-098	SLIDE SWITCH SSAF122NB
SW3	SWSL-01000-098	SLIDE SWITCH SSAF122NB
SW4	SWSL-01010-098	SWITCH-SLIDE SSAF123NB011 30V 0.1A
SW5	SWSL-01010-098	SWITCH-SLIDE SSAF123NB011 30V 0.1A
SW6	SWSL-01010-098	SWITCH-SLIDE SSAF123NB011 30V 0.1A
SW7	SWSL-01010-098	SWITCH-SLIDE SSAF123NB011 30V 0.1A
Q1	TRTC-0016Y-SD0	TRANSISTOR N-H FREQ KTC3198-Y TO92
Q2	TRTD-00200-SD0	TRANSISTOR N-L FREQ KTD-1302 TO92
Q4	TRTD-00200-SD0	TRANSISTOR N-L FREQ KTD-1302 TO92
Q5	TRTD-00200-SD0	TRANSISTOR N-L FREQ KTD-1302 TO92
Q7	TRTD-00200-SD0	TRANSISTOR N-L FREQ KTD-1302 TO92

REF NO.	PART NO.	DESCRIPTION	
<b>ASSY INPUT PCB</b>			
Q8	TRTC-0016Y-SD0	TRANSISTOR N-H FREQ	KTC3198-Y TO92
Q9	TRTC-01700-SD0	TRANSISTOR N-H FREQ	KRC107M W/RESIST TO92M
Q11	TRTA-00810-SB0	TRANSISTOR P-H FREQ	DTA114YSA W/RESIST SPT
Q13	TRTA-00810-SB0	TRANSISTOR P-H FREQ	DTA114YSA W/RESIST SPT
Q14	TRTA-00810-SB0	TRANSISTOR P-H FREQ	DTA114YSA W/RESIST SPT
Q15	TRTC-0016Y-SD0	TRANSISTOR N-H FREQ	KTC3198-Y TO92
Q17	TRTC-0016Y-SD0	TRANSISTOR N-H FREQ	KTC3198-Y TO92
Q18	TRTA-00810-SB0	TRANSISTOR P-H FREQ	DTA114YSA W/RESIST SPT
Q19	TRTA-00810-SB0	TRANSISTOR P-H FREQ	DTA114YSA W/RESIST SPT
Q20	TRTC-01700-SD0	TRANSISTOR N-H FREQ	KRC107M W/RESIST TO92M
Q21	TRTA-00810-SB0	TRANSISTOR P-H FREQ	DTA114YSA W/RESIST SPT
Q23	TRTA-00810-SB0	TRANSISTOR P-H FREQ	DTA114YSA W/RESIST SPT
Q25	TRTC-01700-SD0	TRANSISTOR N-H FREQ	KRC107M W/RESIST TO92M
Q27	TRTC-01700-SD0	TRANSISTOR N-H FREQ	KRC107M W/RESIST TO92M
Q28	TRTC-0016Y-SD0	TRANSISTOR N-H FREQ	KTC3198-Y TO92
Q29	TRTA-0008Y-SD0	TRANSISTOR P-H FREQ	KTA1266-Y TO92
Q30	TRTC-01700-SD0	TRANSISTOR N-H FREQ	KRC107M W/RESIST TO92M
Q31	TRTA-0016Y-SD0	TRANSISTOR N-H FREQ	KTC3198-Y TO92
Q32	TRTA-0008Y-SD0	TRANSISTOR P-H FREQ	KTA1266-Y TO92
Q33	TRTC-01700-SD0	TRANSISTOR N-H FREQ	KRC107M W/RESIST TO92M
Q34	TRTA-00810-SB0	TRANSISTOR P-H FREQ	DTA114YSA W/RESIST SPT
Q36	TRTD-00200-SD0	TRANSISTOR N-L FREQ	KTD-1302 TO92
Q38	TRTD-00200-SD0	TRANSISTOR N-L FREQ	KTD-1302 TO92
Q39	TRTD-00200-SD0	TRANSISTOR N-L FREQ	KTD-1302 TO92
Q41	TRTD-00200-SD0	TRANSISTOR N-L FREQ	KTD-1302 TO92
Q43	TRTC-01700-SD0	TRANSISTOR N-H FREQ	KRC107M W/RESIST TO92M
Q44	TRTA-0008Y-SD0	TRANSISTOR P-H FREQ	KTA1266-Y TO92
Q45	TRTC-0016Y-SD0	TRANSISTOR N-H FREQ	KTC3198-Y TO92
Q46	TRTC-0016Y-SD0	TRANSISTOR N-H FREQ	KTC3198-Y TO92
CW1	UM08-E1048-000	WIRE-ASSY	1007#26/1533#28-100 14P
CW2	U508-4M835-250	WIRE-ASSY	1007#28 YEL/BLK-350 5P
CW101	UM08-E1047-000	WIRE-ASSY	1007#26/1533#28-180 14P
CW102	U508-4M815-250	WIRE-ASSY	1007#28 YEL/BLK-150 5P
	XSTB-30080-ZY4	SCREW-TAPPING	BHT2T 3x8 FE-ZY

# 8. IC BLOCK DIAGRAM

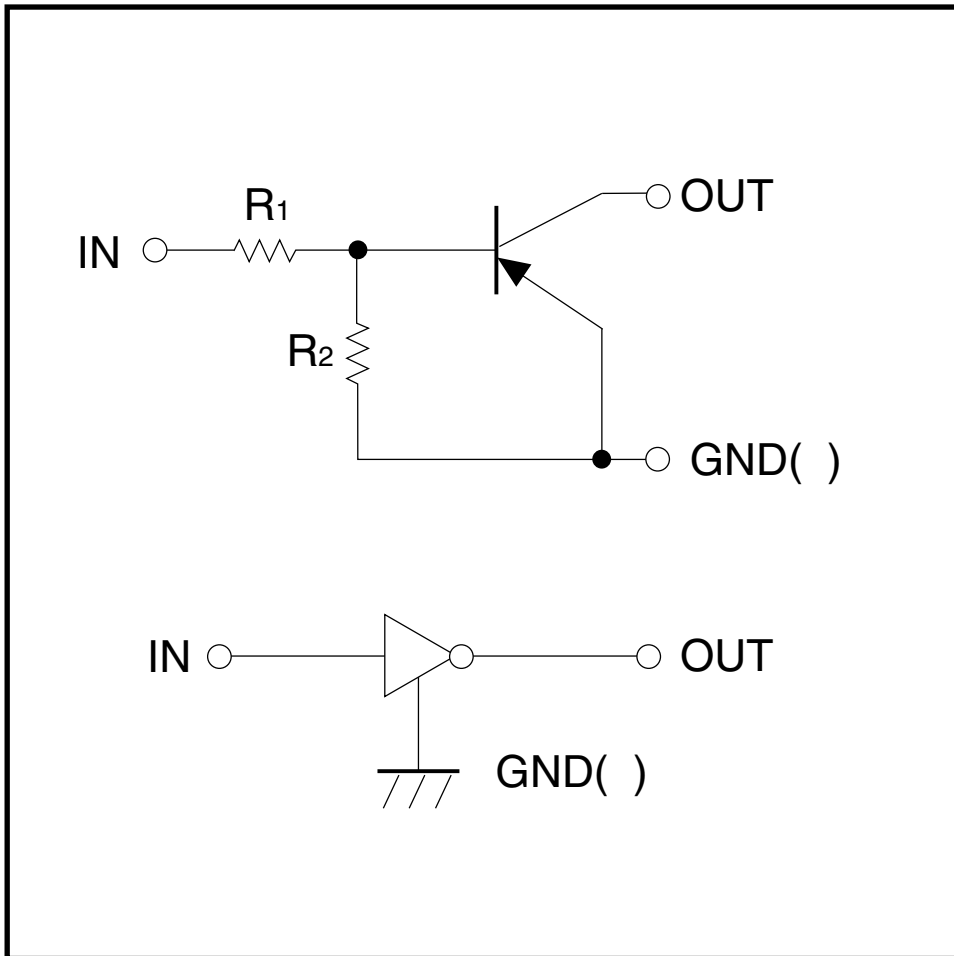
A6802722

## BLOCK DIAGRAM



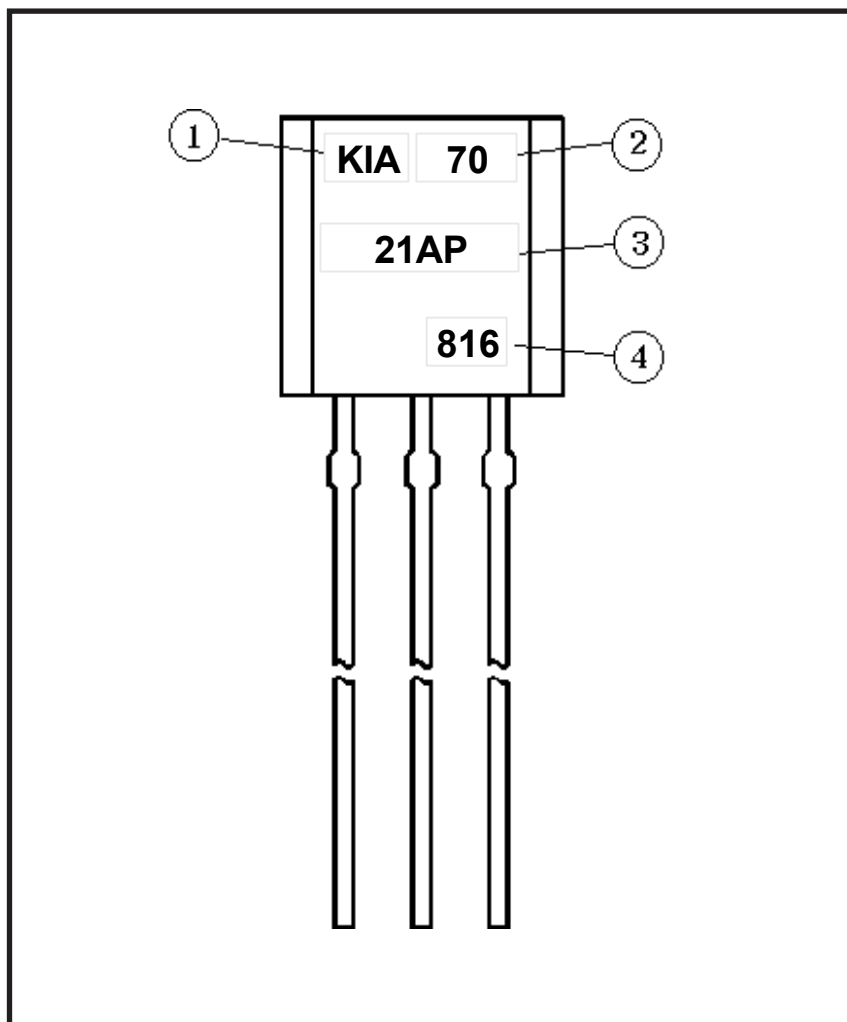
# DTA114YSA

## BLOCK DIAGRAM



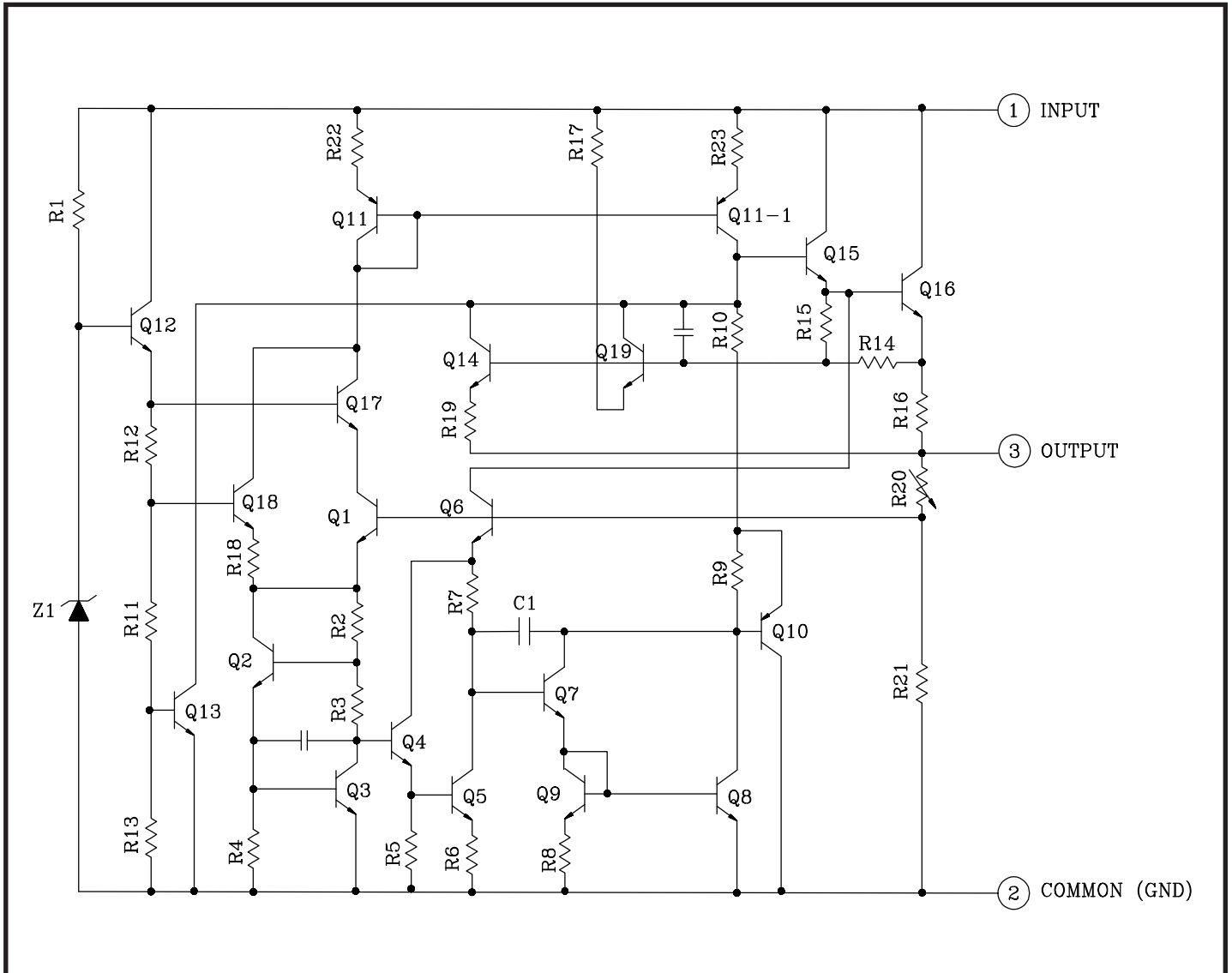
# KIA7021AP

## BLOCK DIAGRAM



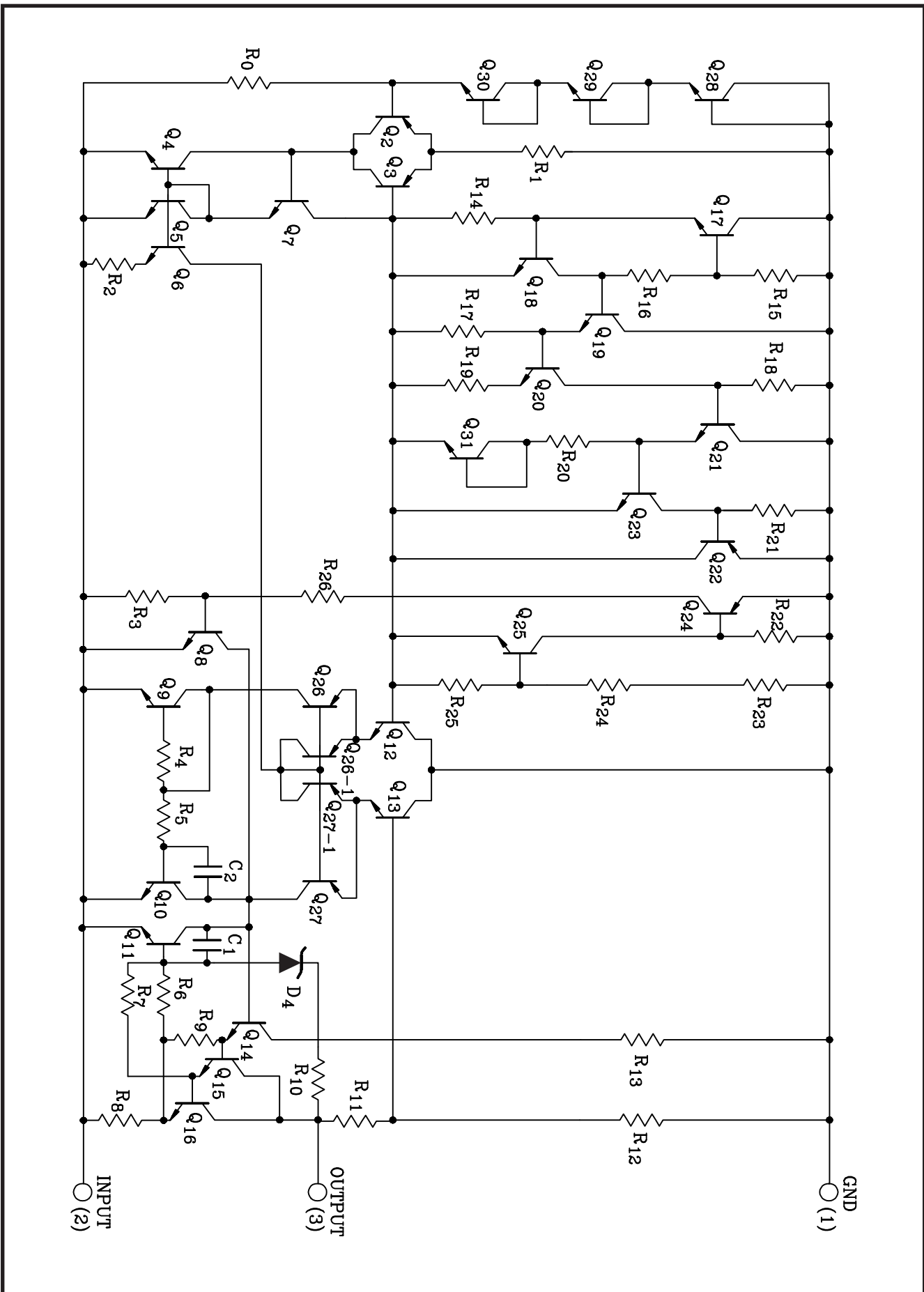


BLOCK DIAGRAM



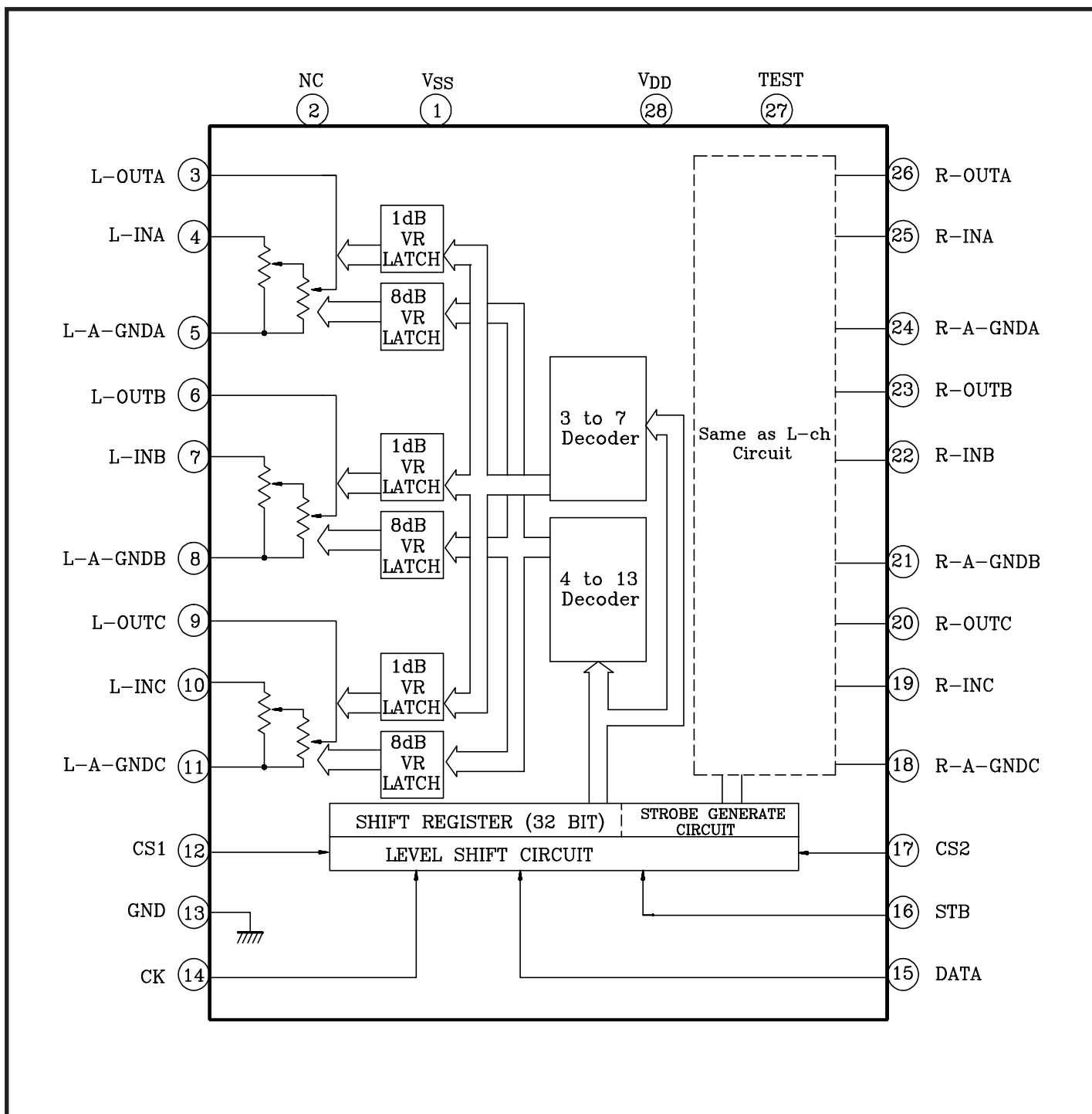
# KIA79XX

## BLOCK DIAGRAM



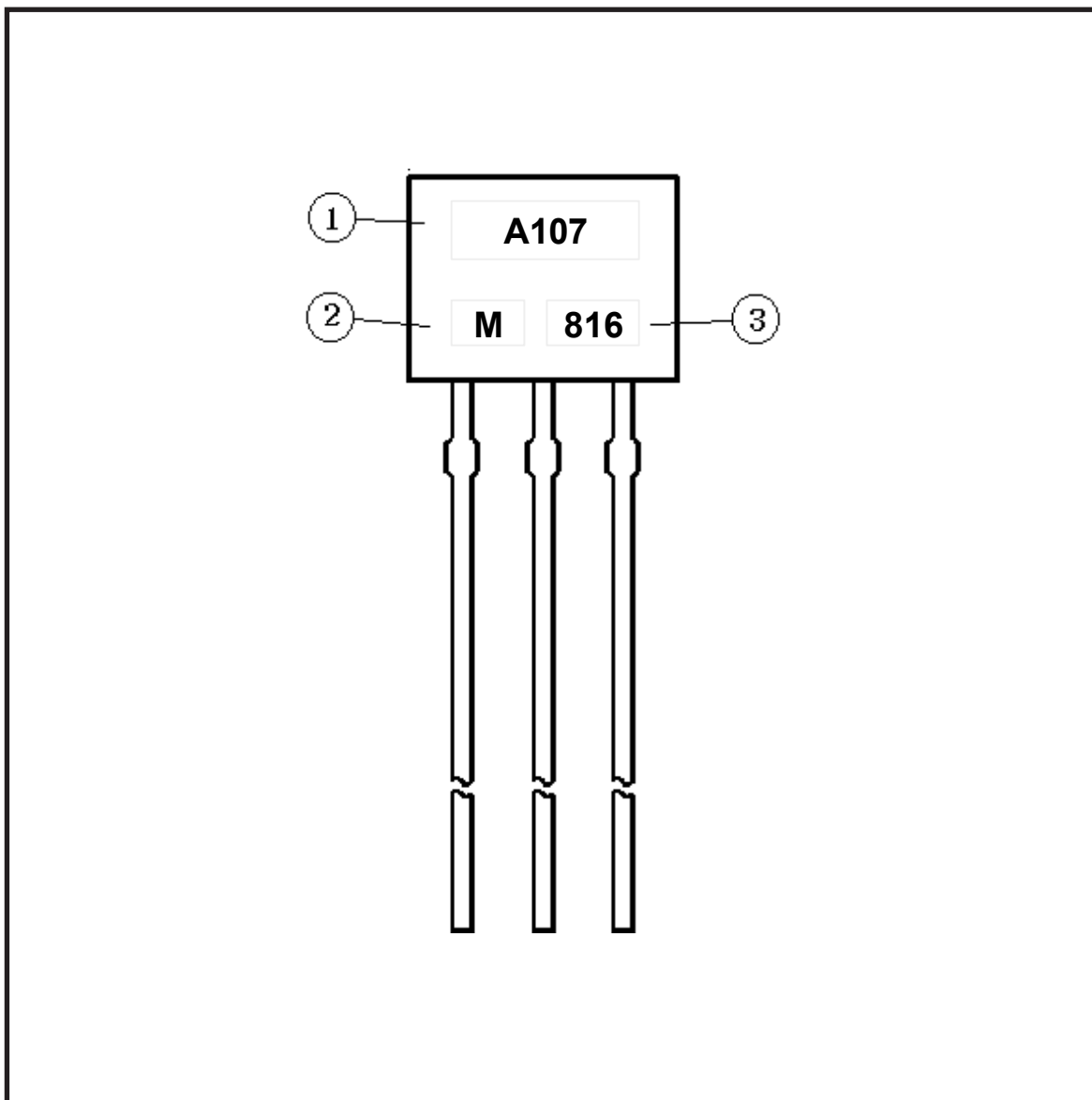
KIC9482N/F

BLOCK DIAGRAM



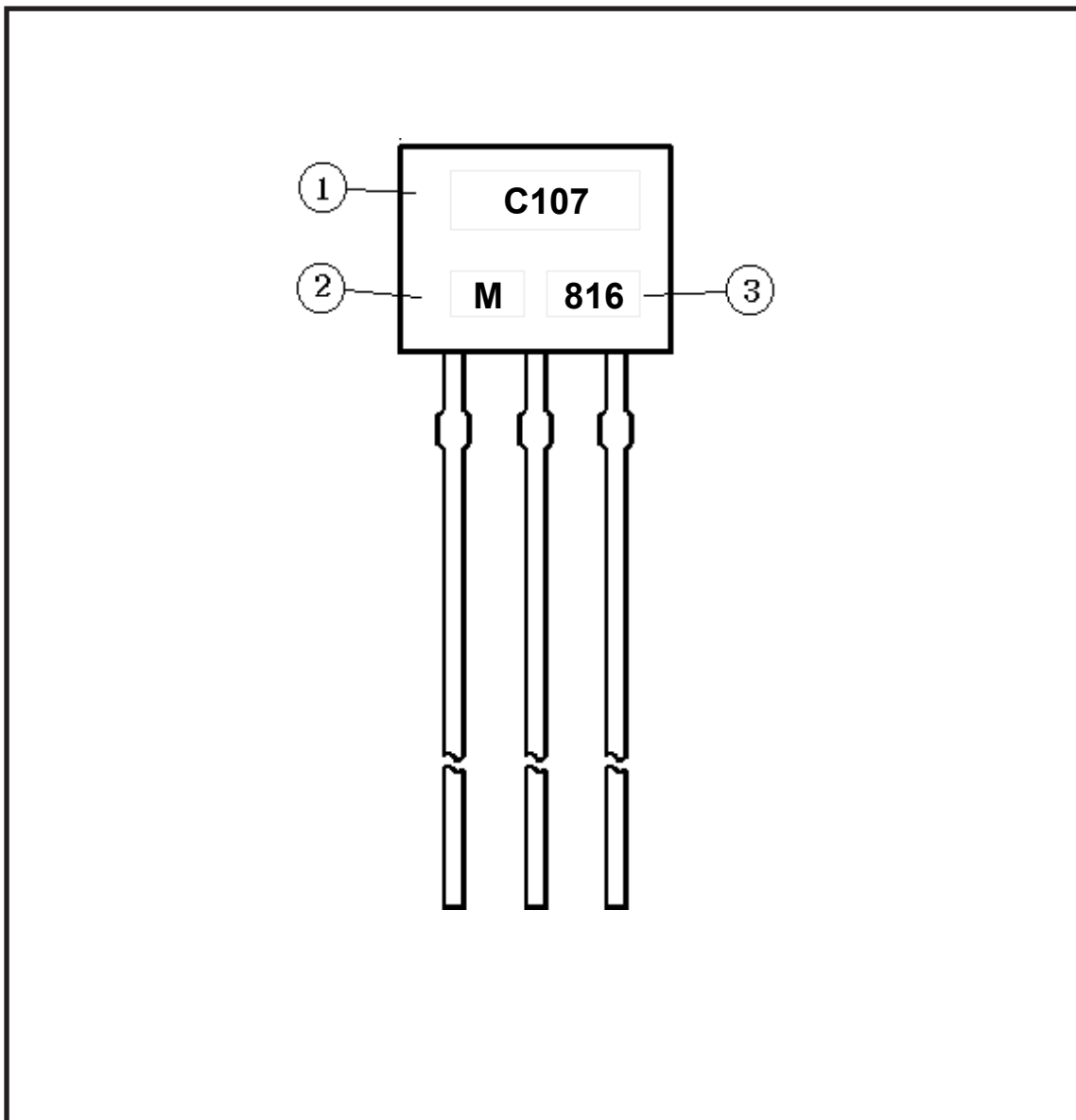
# KRA107M

## BLOCK DIAGRAM



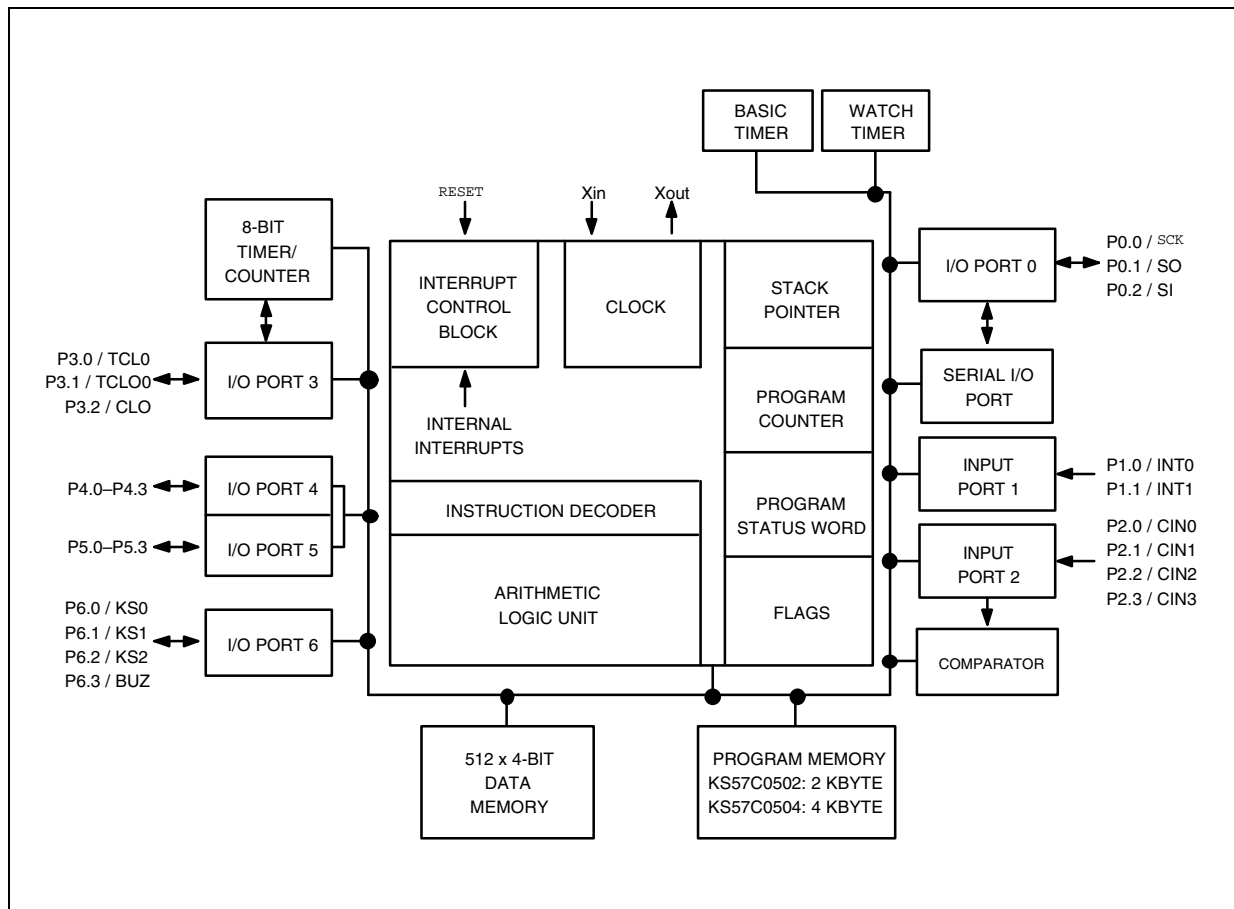
# KRC107M

## BLOCK DIAGRAM



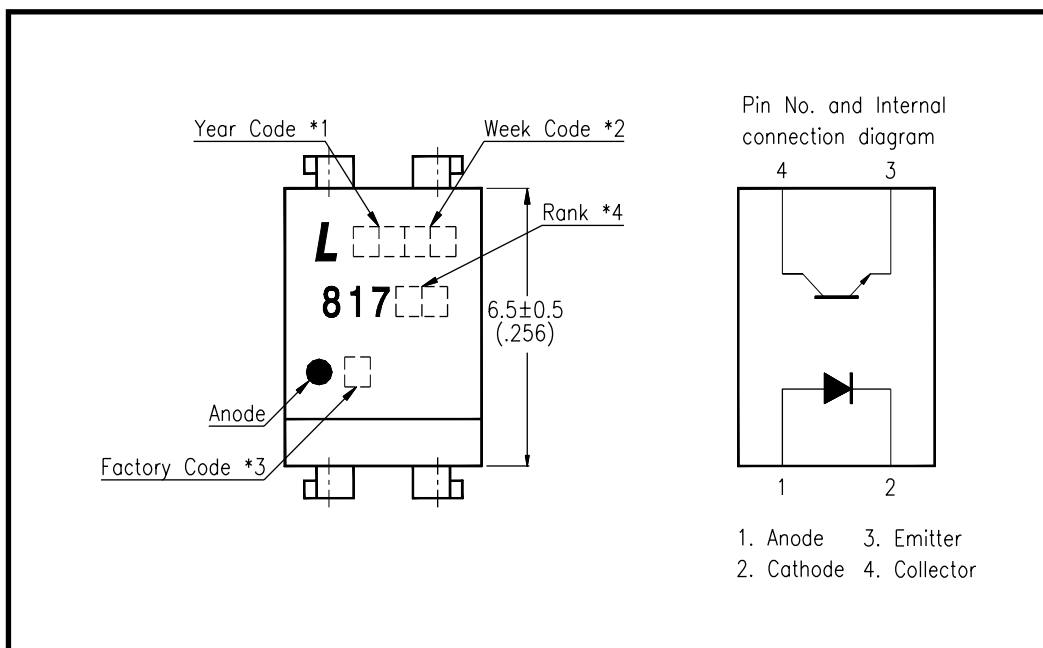
# KS57P0504

## BLOCK DIAGRAM



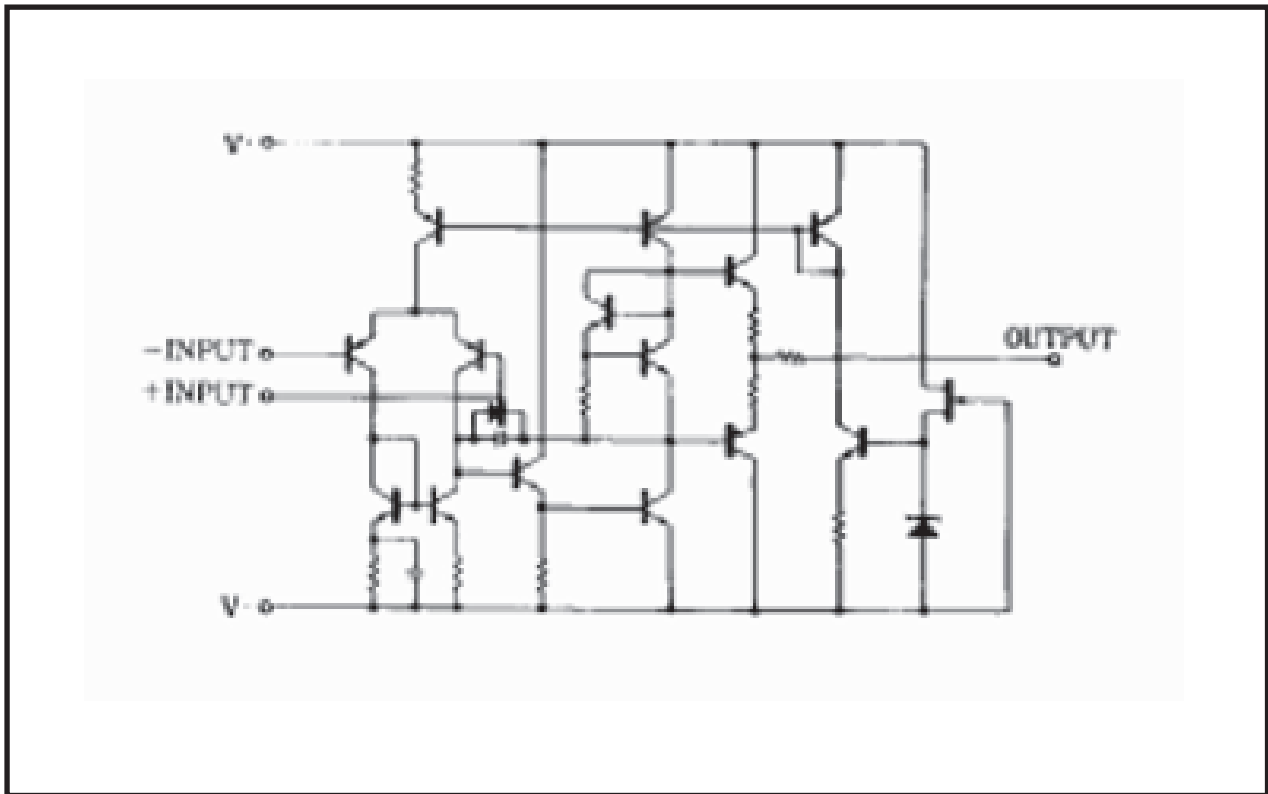
# LTV817B

## BLOCK DIAGRAM



# NJM4558

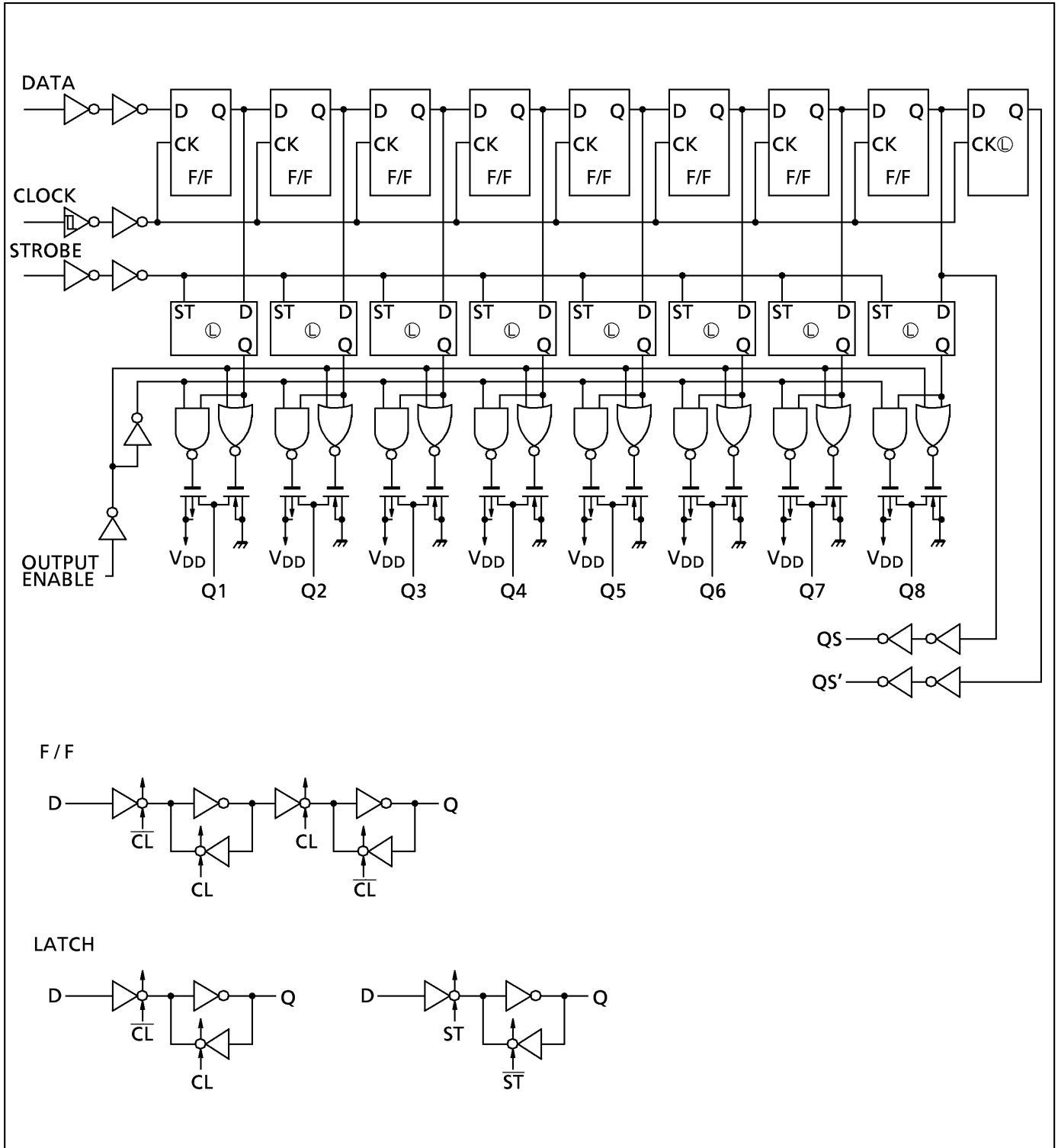
## BLOCK DIAGRAM





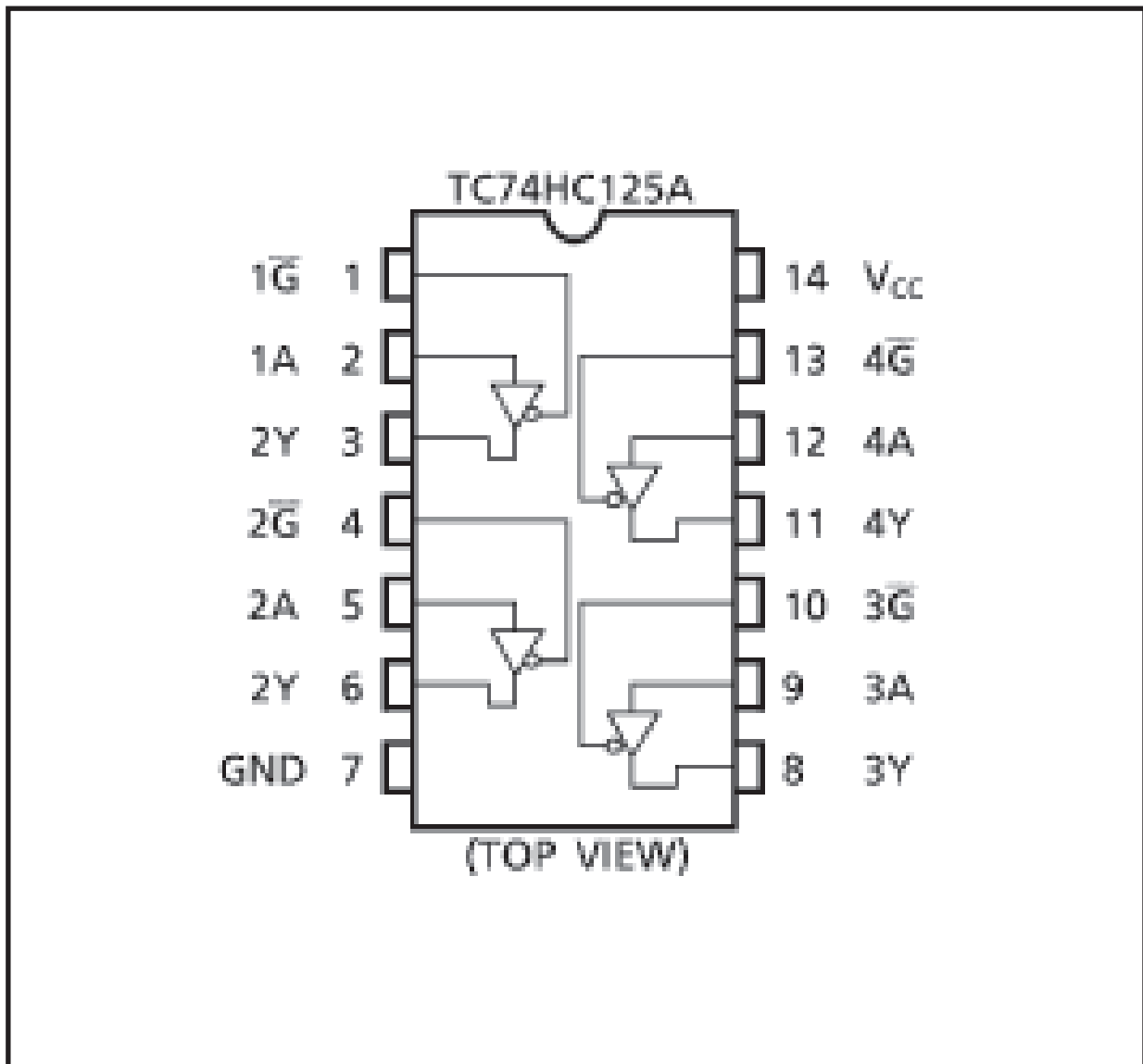
# TC4094BP

## BLOCK DIAGRAM

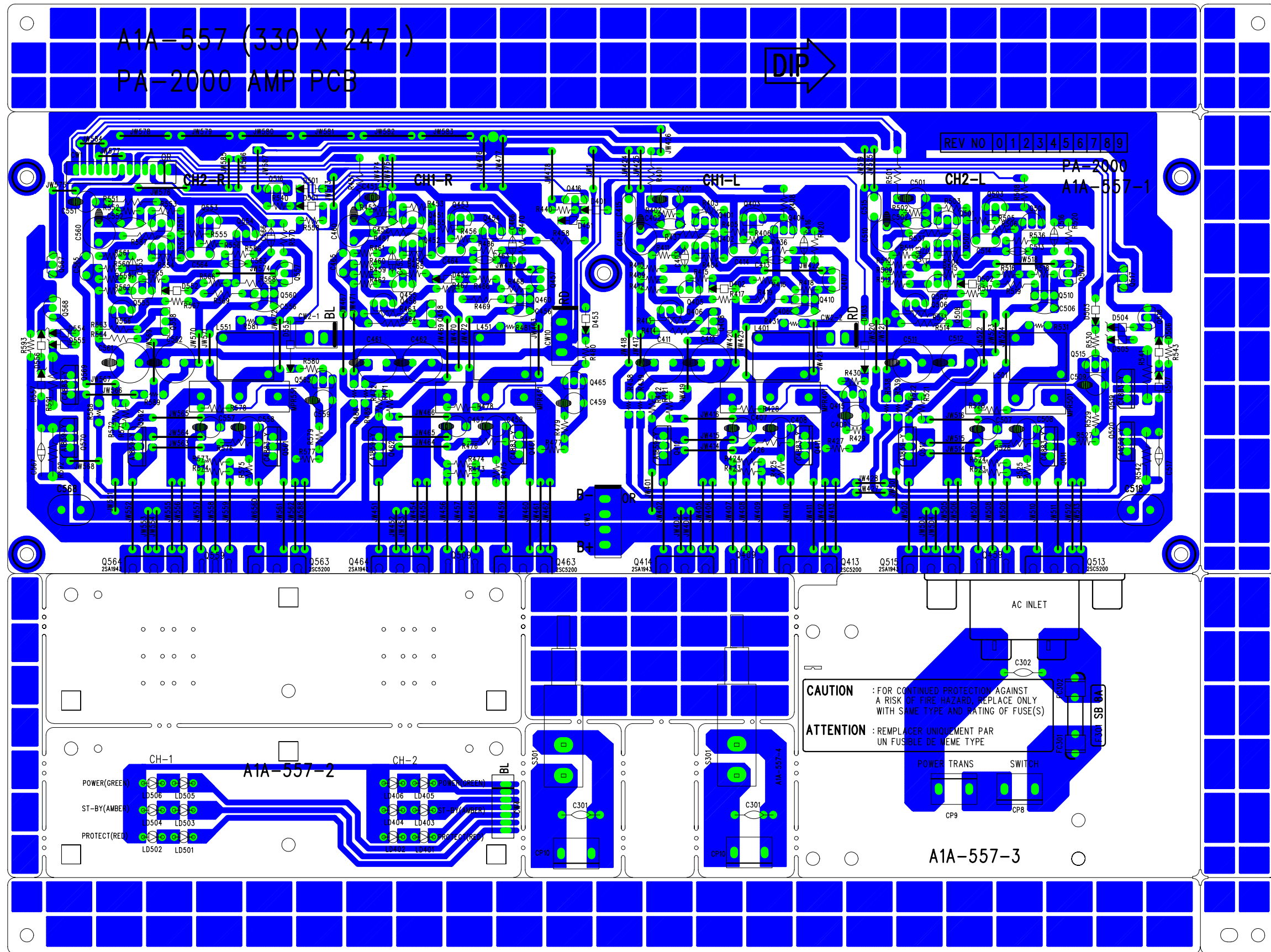


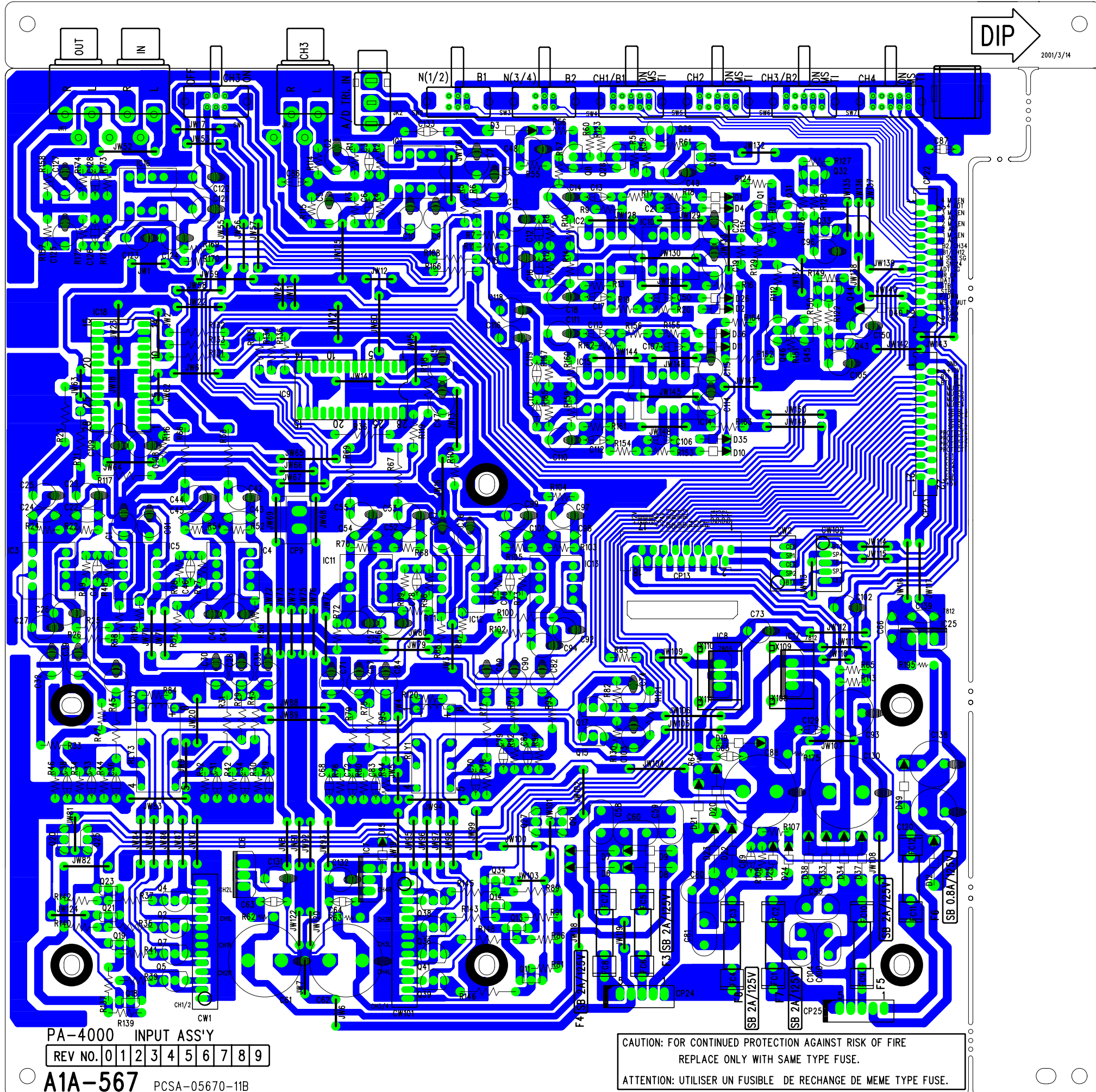
## TC74HC125A

## BLOCK DIAGRAM



PCB LAYOUT - AMP



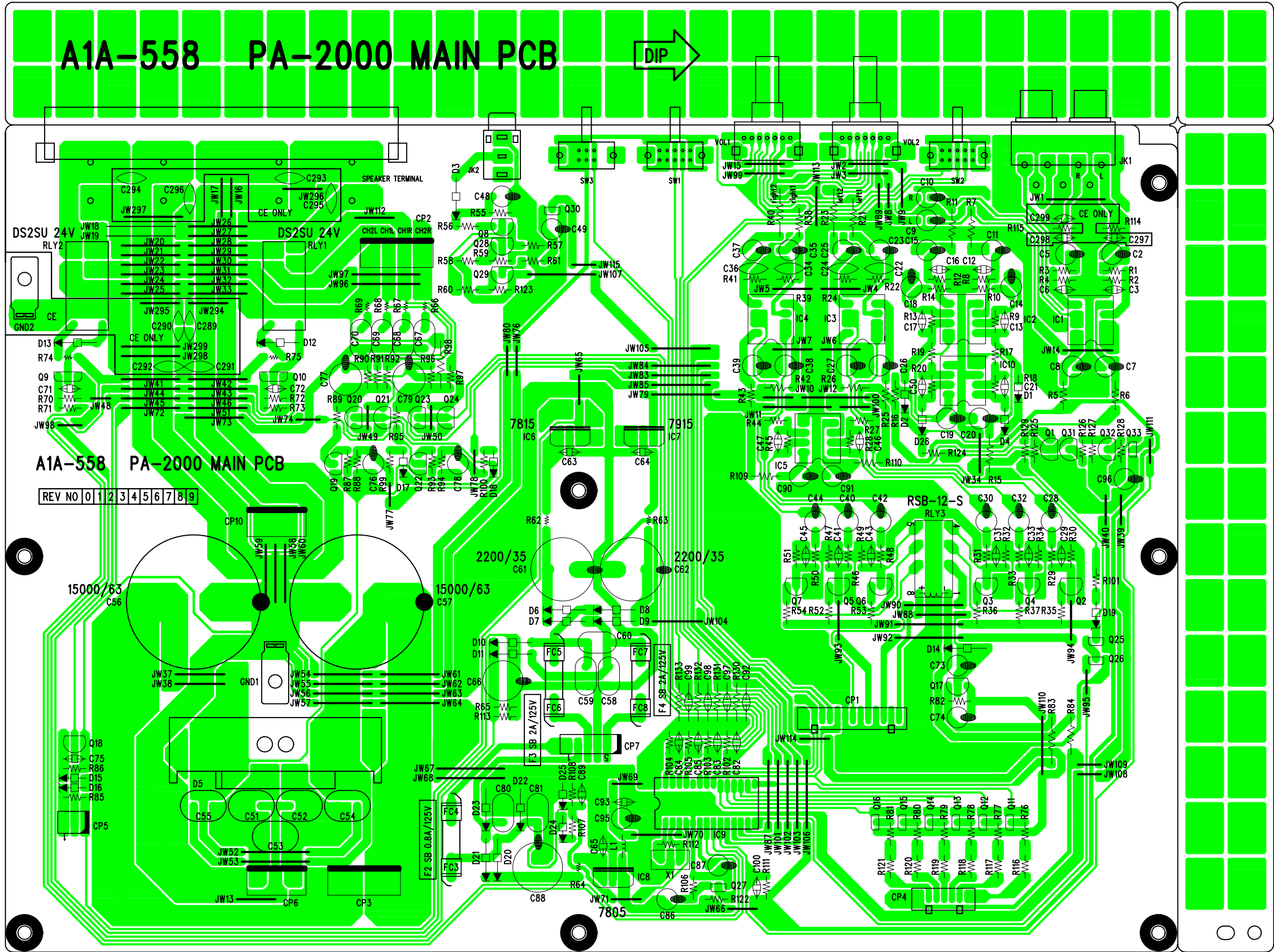


PA-4000 INPUT ASS'Y  
 REV NO. 0 1 2 3 4 5 6 7 8 9  
 A1A-567 PCSA-05670-11B

CAUTION: FOR CONTINUED PROTECTION AGAINST RISK OF FIRE  
 REPLACE ONLY WITH SAME TYPE FUSE.  
 ATTENTION: UTILISER UN FUSIBLE DE RECHANGE DE MEME TYPE FUSE.

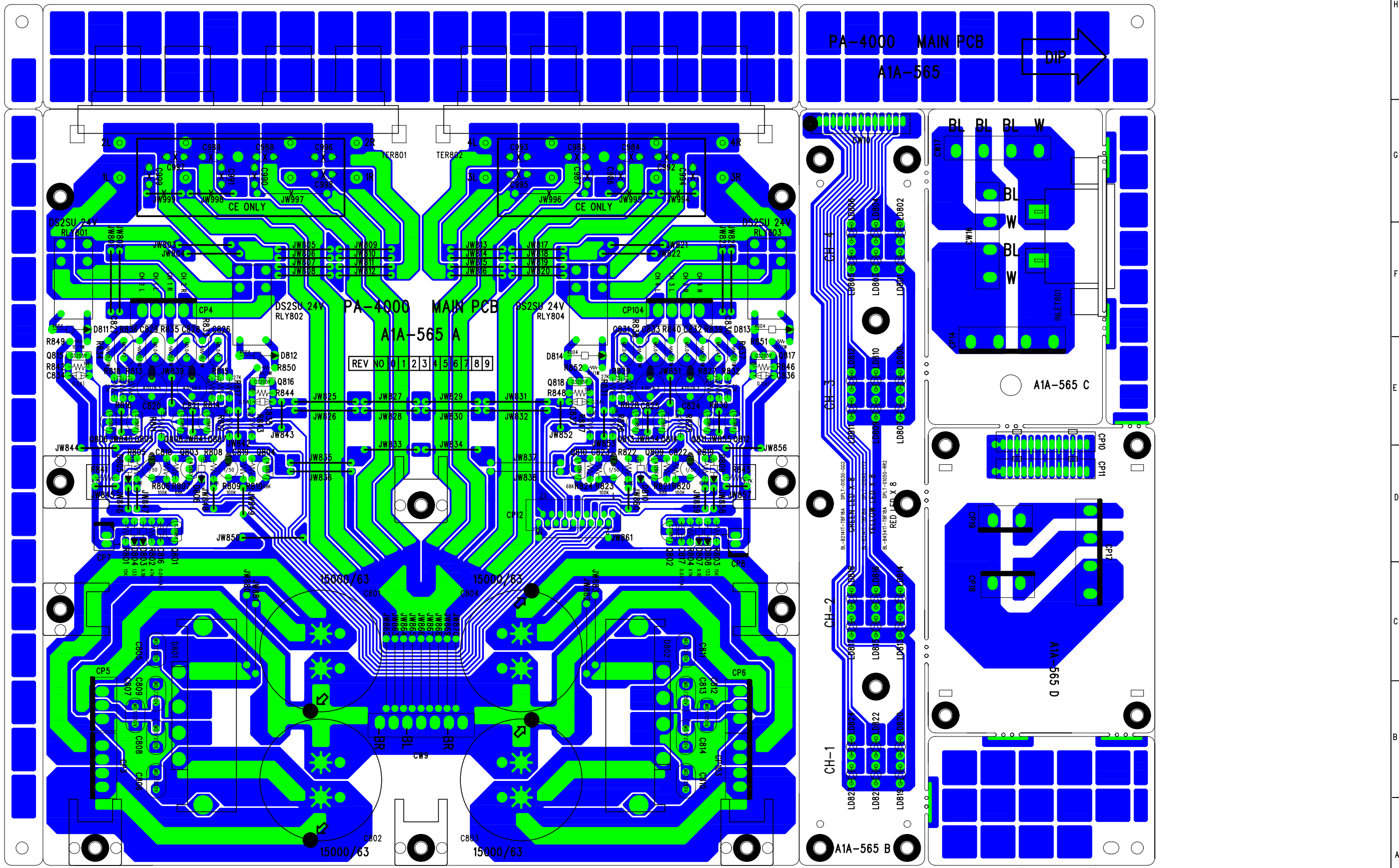
12 | 11 | 10 | 9 | 8 | 7 | 6 | 5 | 4 | 3 | 2 | 1

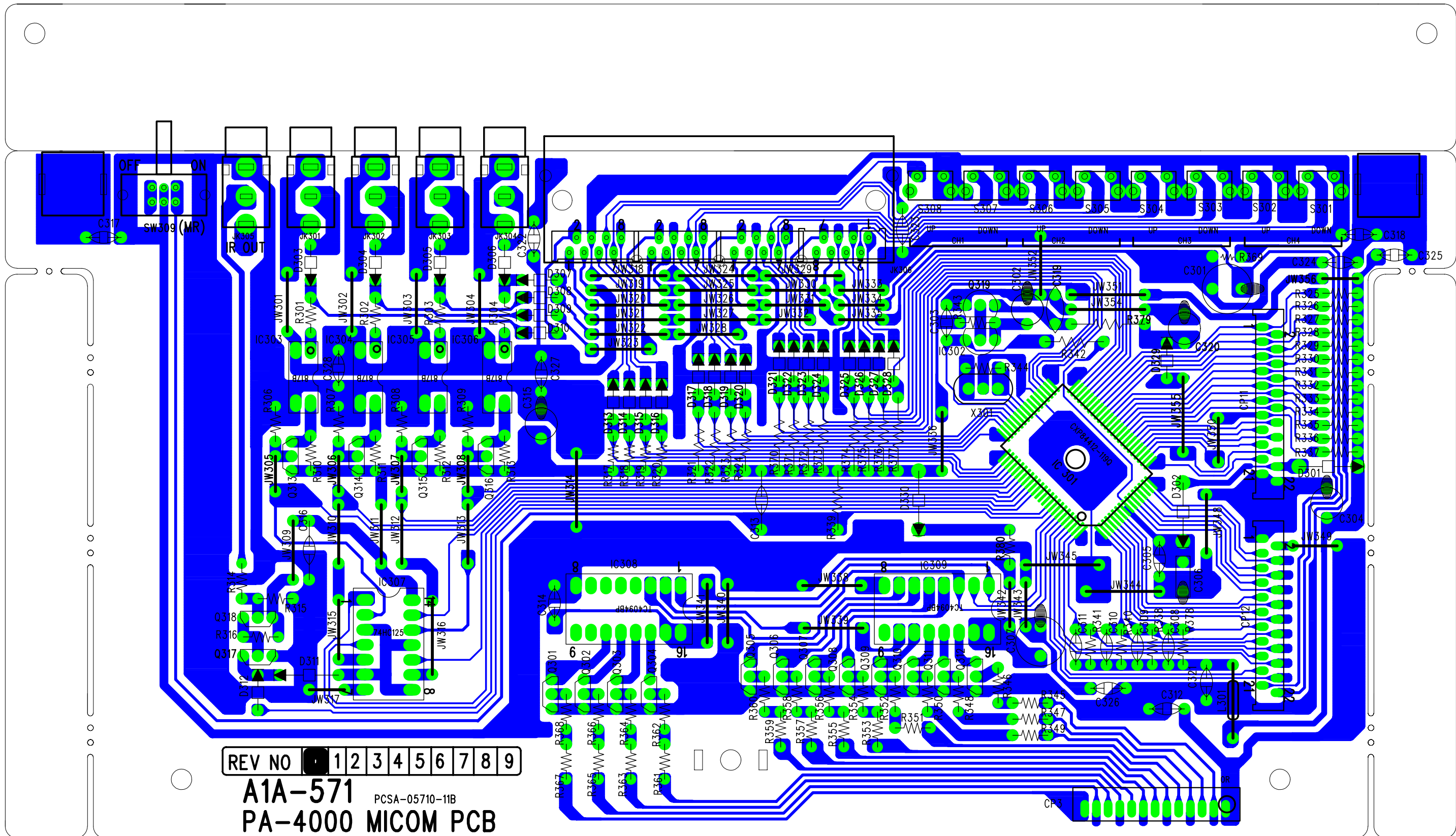
PCB LAUOUT - MAIN



H  
G  
F  
E  
D  
C  
B  
A

PCB LAYOUT - MAIN





REV NO  1  2  3  4  5  6  7  8  9

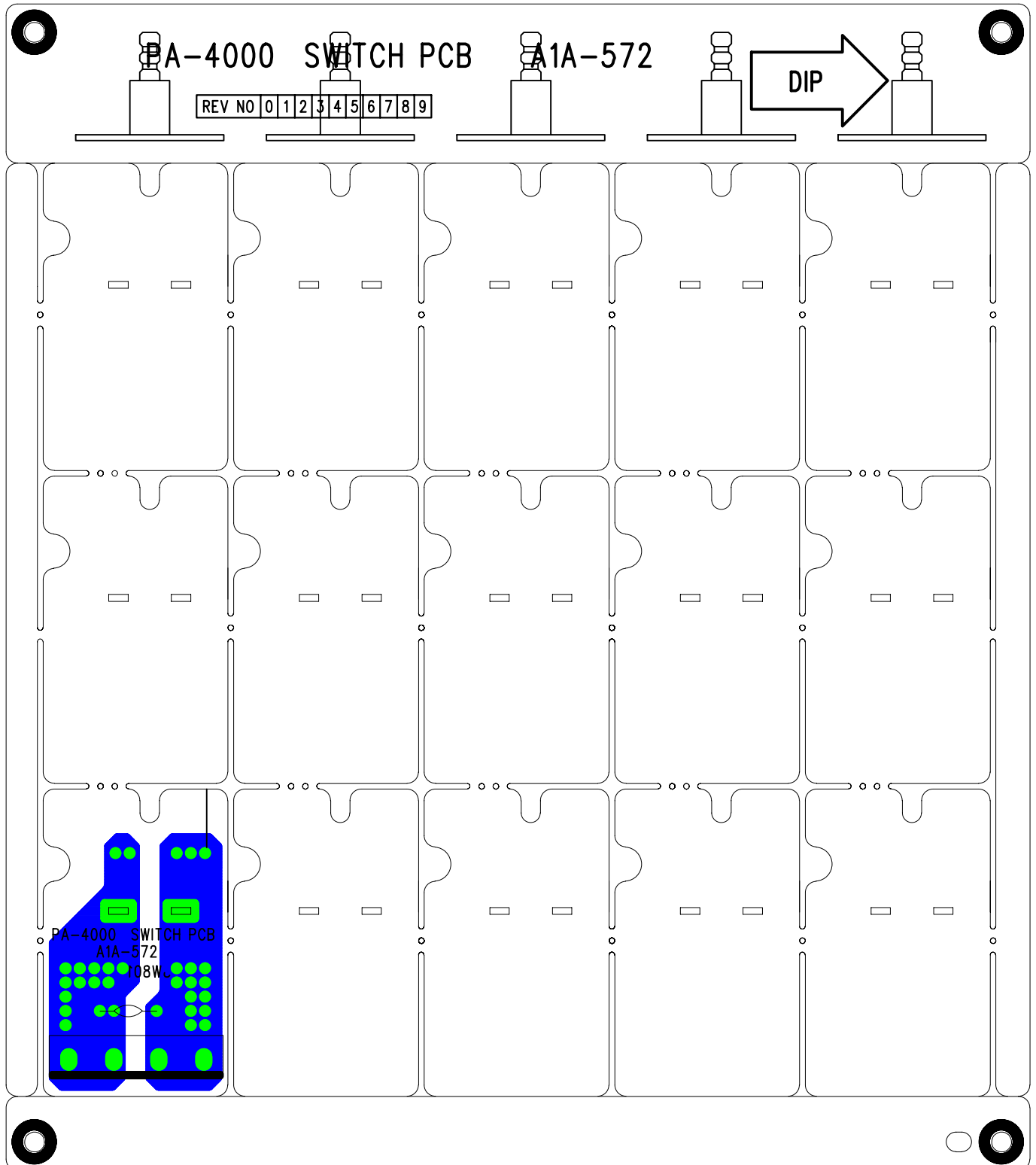
**A1A-571**    PCSA-05710-11B  
**PA-4000 MICOM PCB**

DIP

2001/3/14

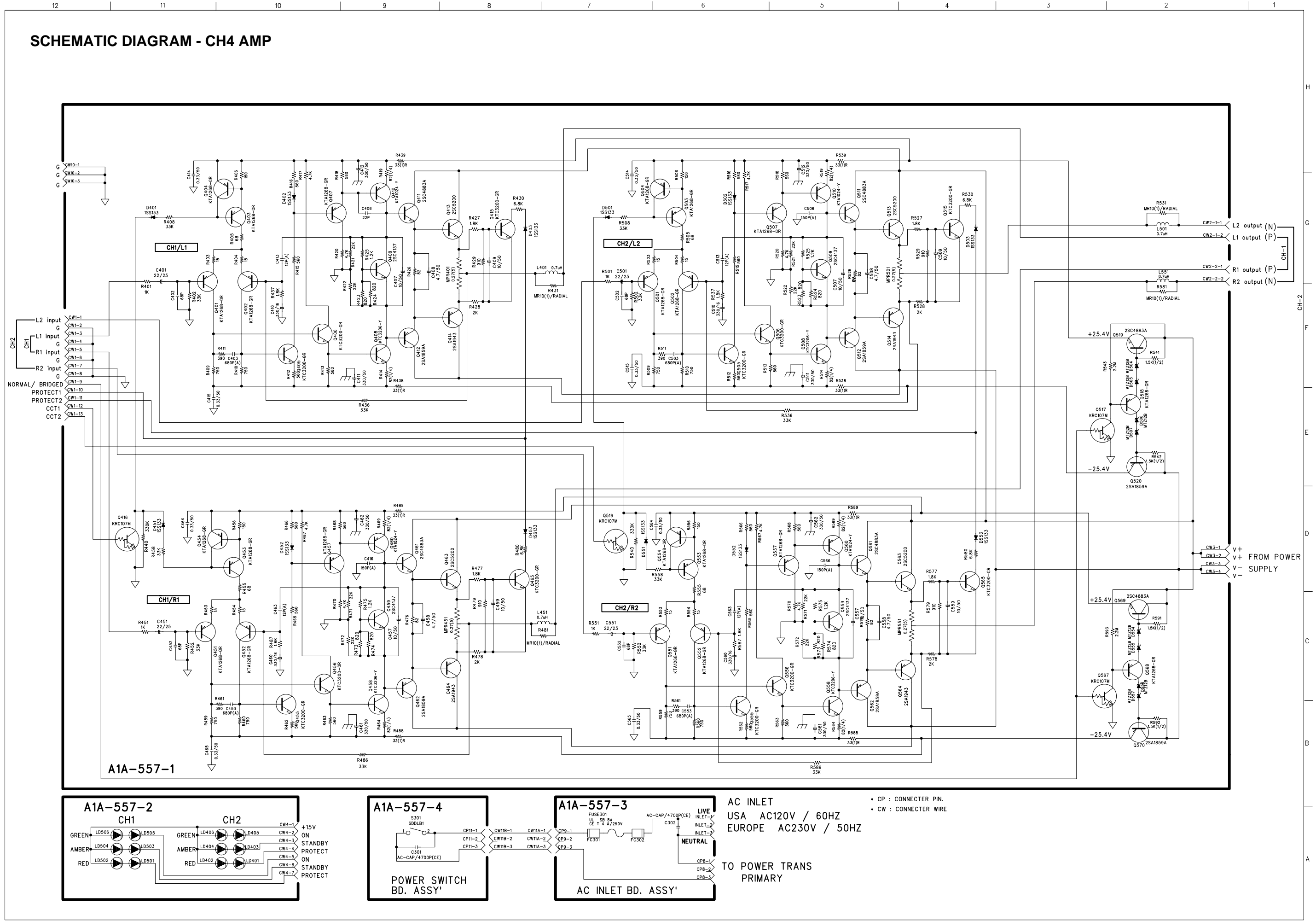
# PA-4000 SWITCH PCB

# A1A-572

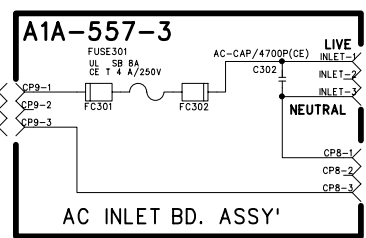
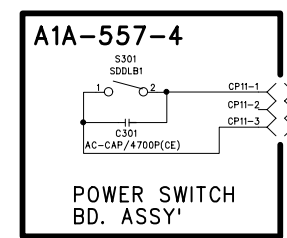
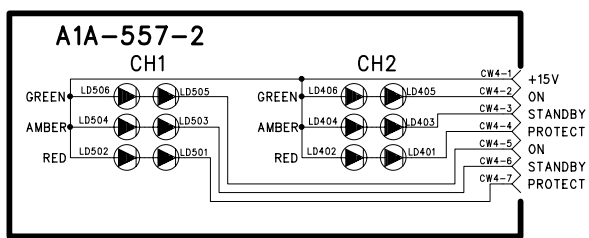




SCHEMATIC DIAGRAM - CH4 AMP



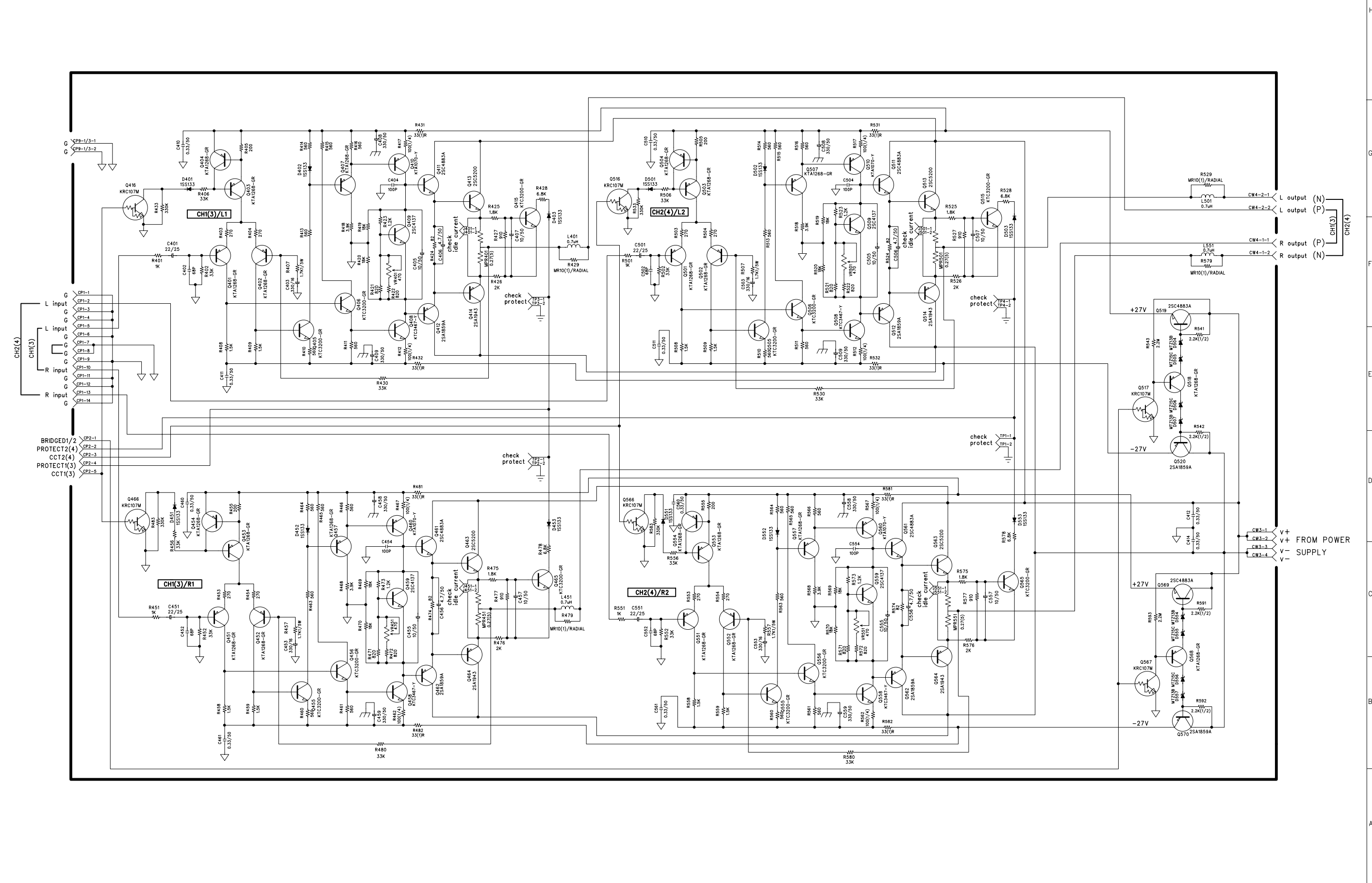
A1A-557-1



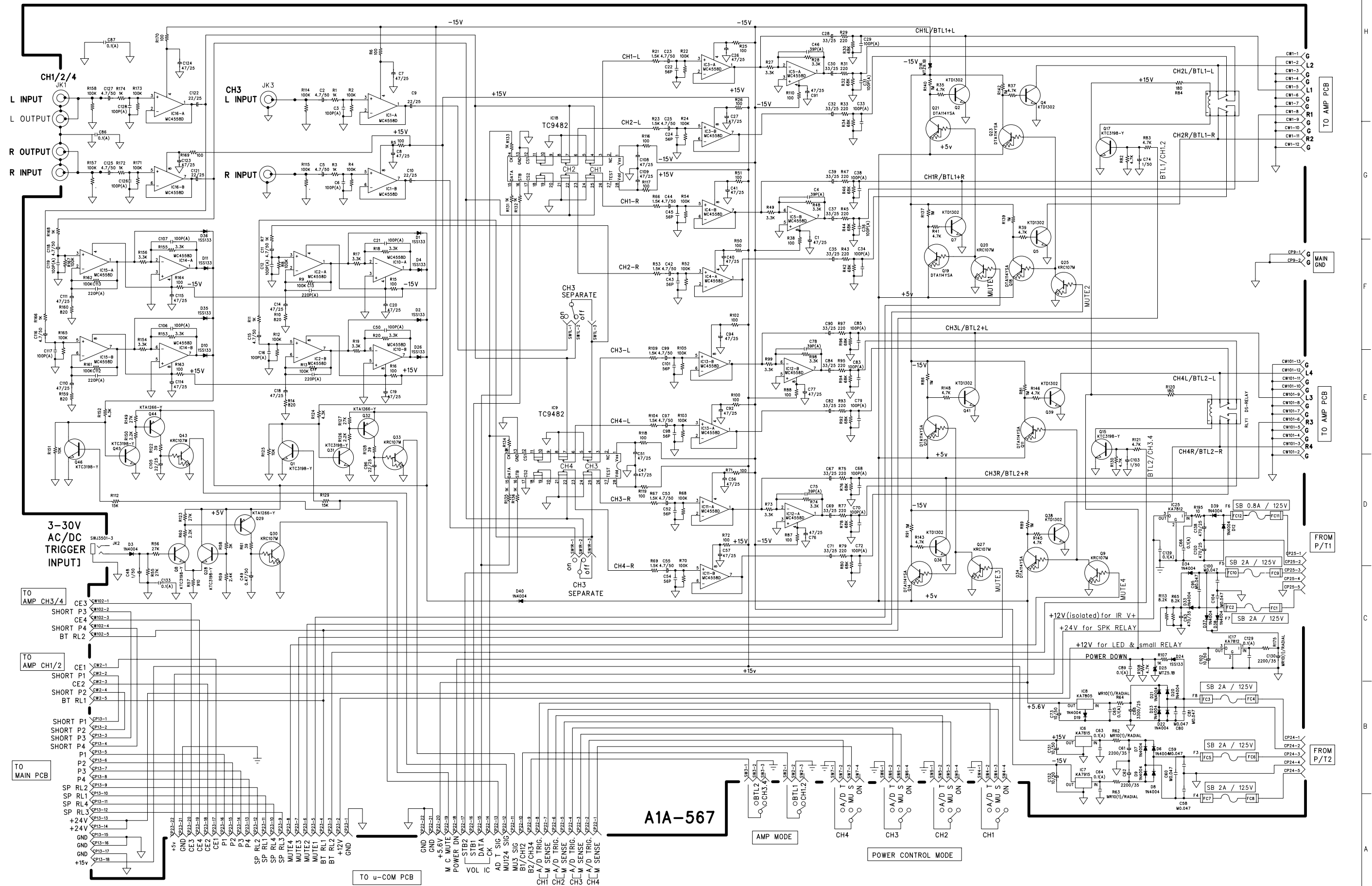
AC INLET  
 USA AC120V / 60HZ  
 EUROPE AC230V / 50HZ  
 TO POWER TRANS PRIMARY

- CP : CONNECTER PIN.
- CW : CONNECTER WIRE

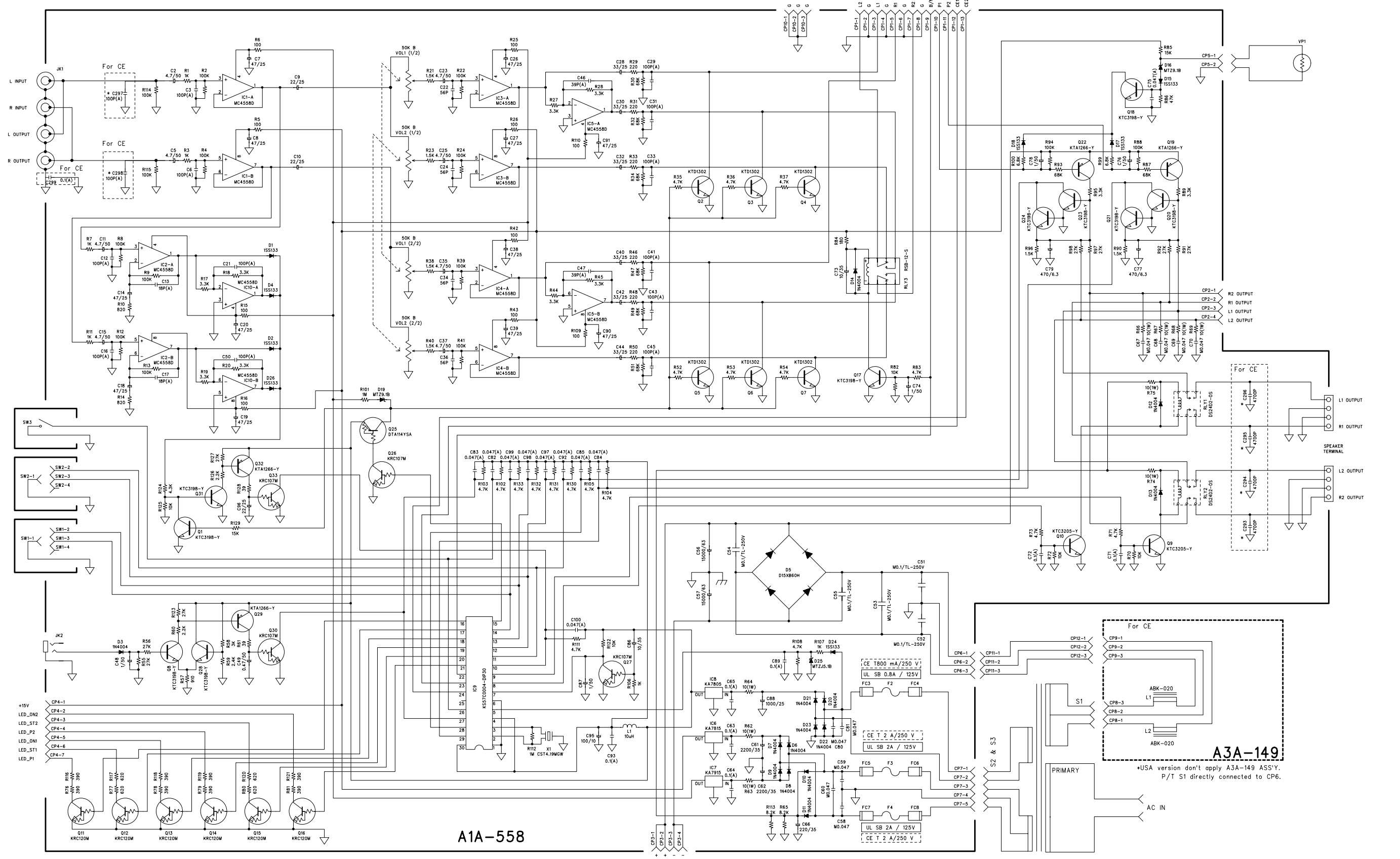
SCHEMATIC DIAGRAM - CH1 (CH3) / CH2 (CH4)



SCHEMATIC DIAGRAM - INPUT



SCHEMATIC DIAGRAM - MAIN



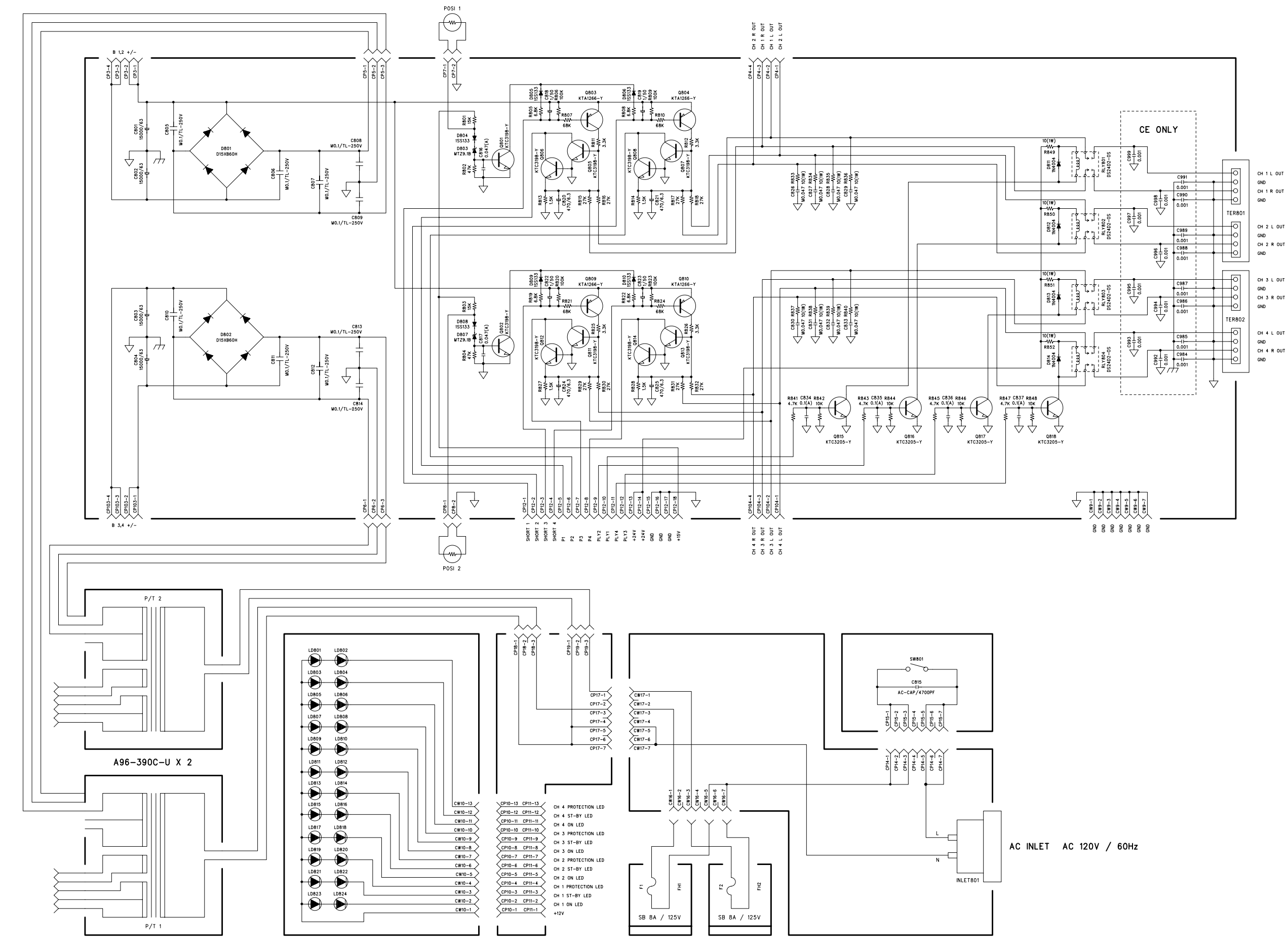
A1A-558

A3A-149

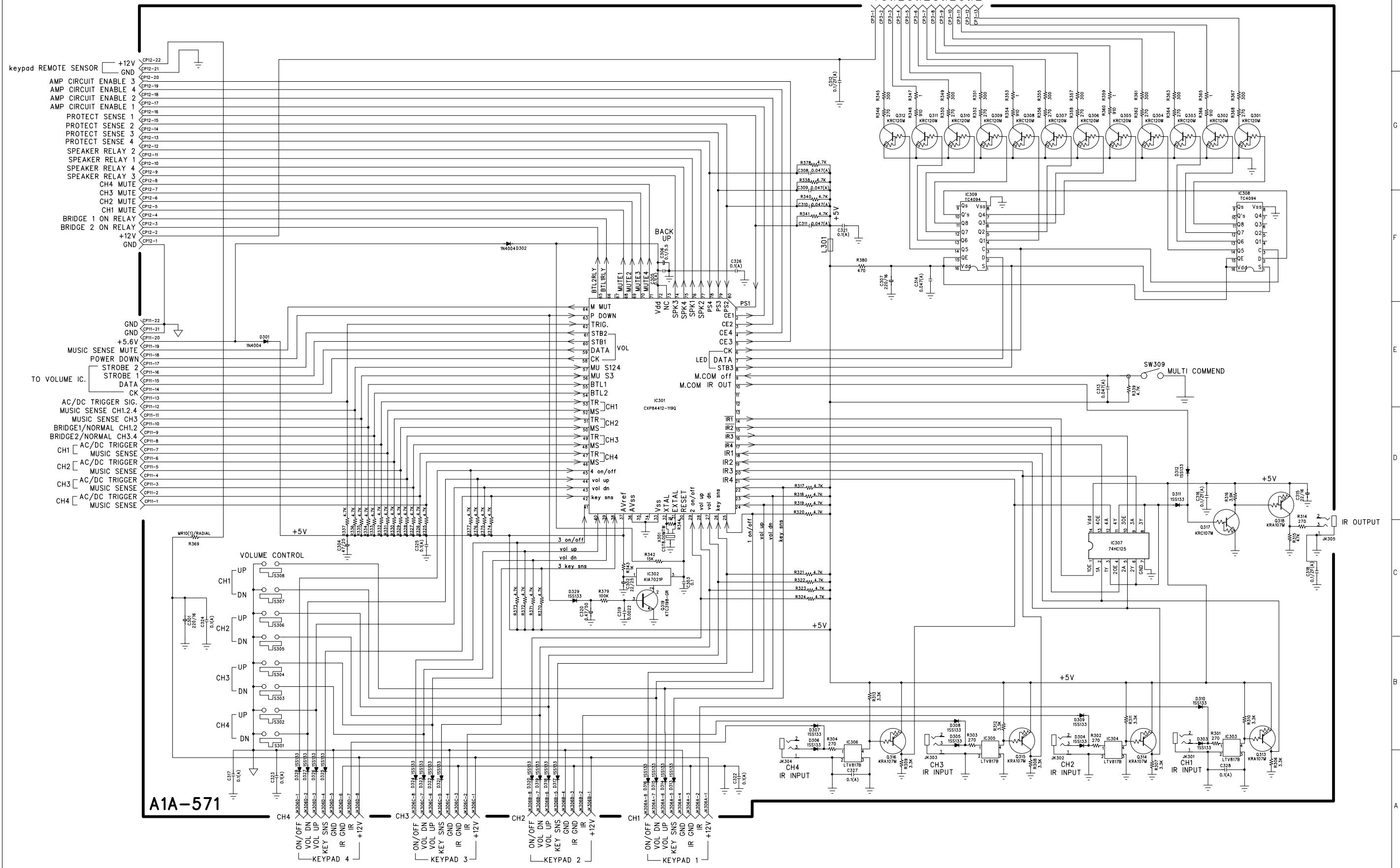
\*USA version don't apply A3A-149 ASS'Y.  
P/T S1 directly connected to CP6.

P/T USA : A96-382C-U (AC 120 V/ 60 Hz)  
EUROPE : A96-398Y-V (AC 230 V/ 50 Hz)

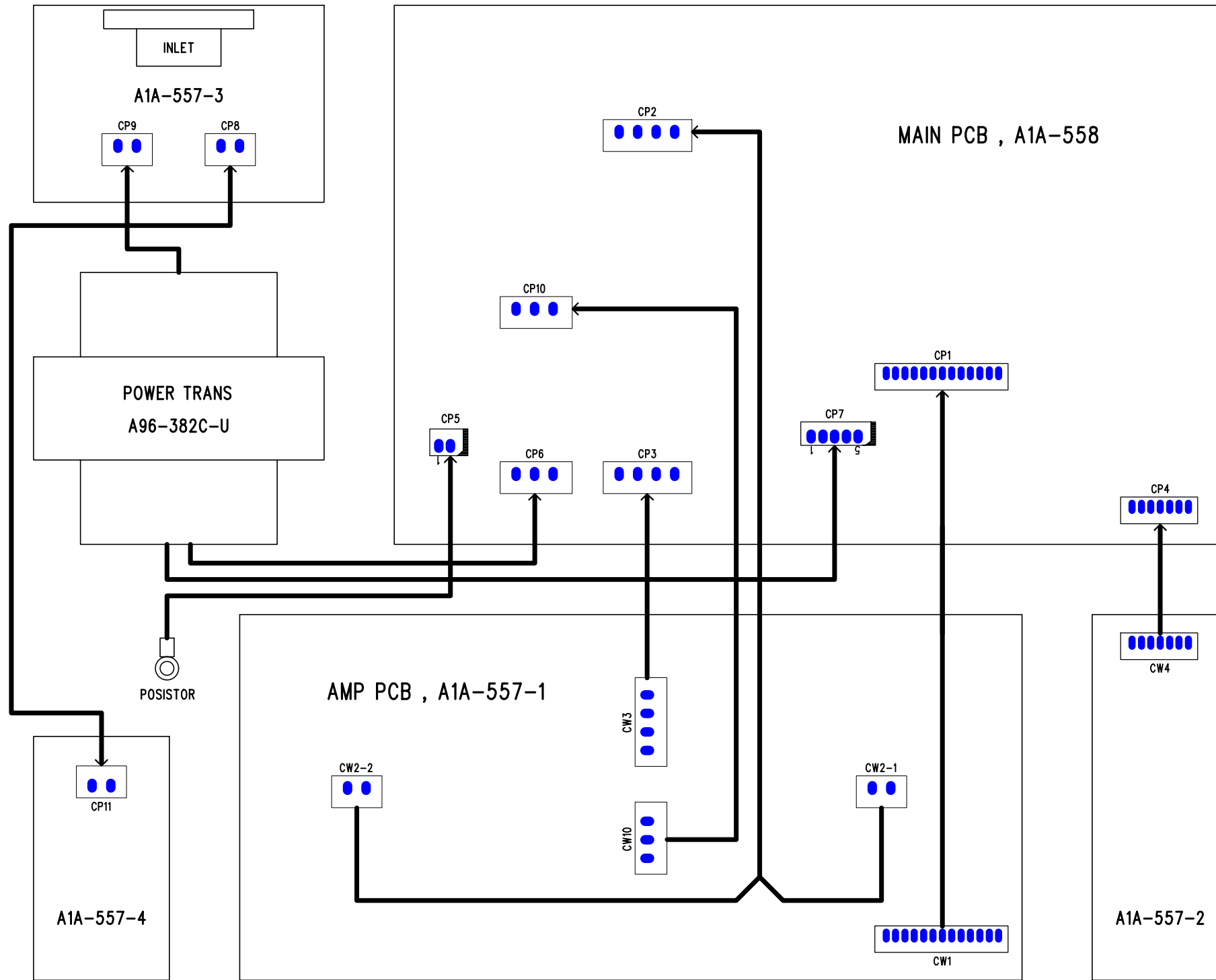
SCHEMATIC DIAGRAM - MAIN



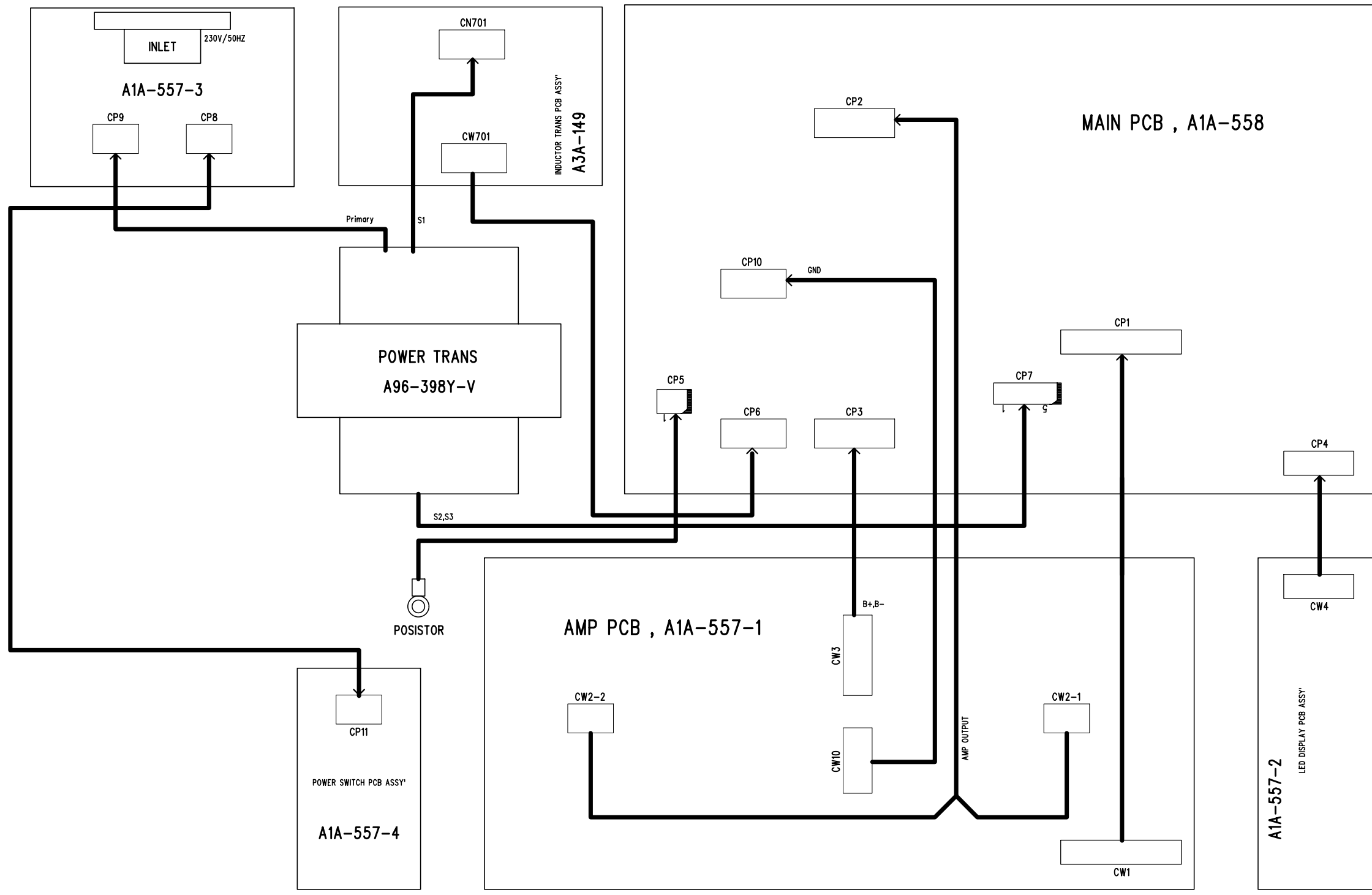
SCHEMATIC DIAGRAM - MICOM



WIRING DIAGRAM

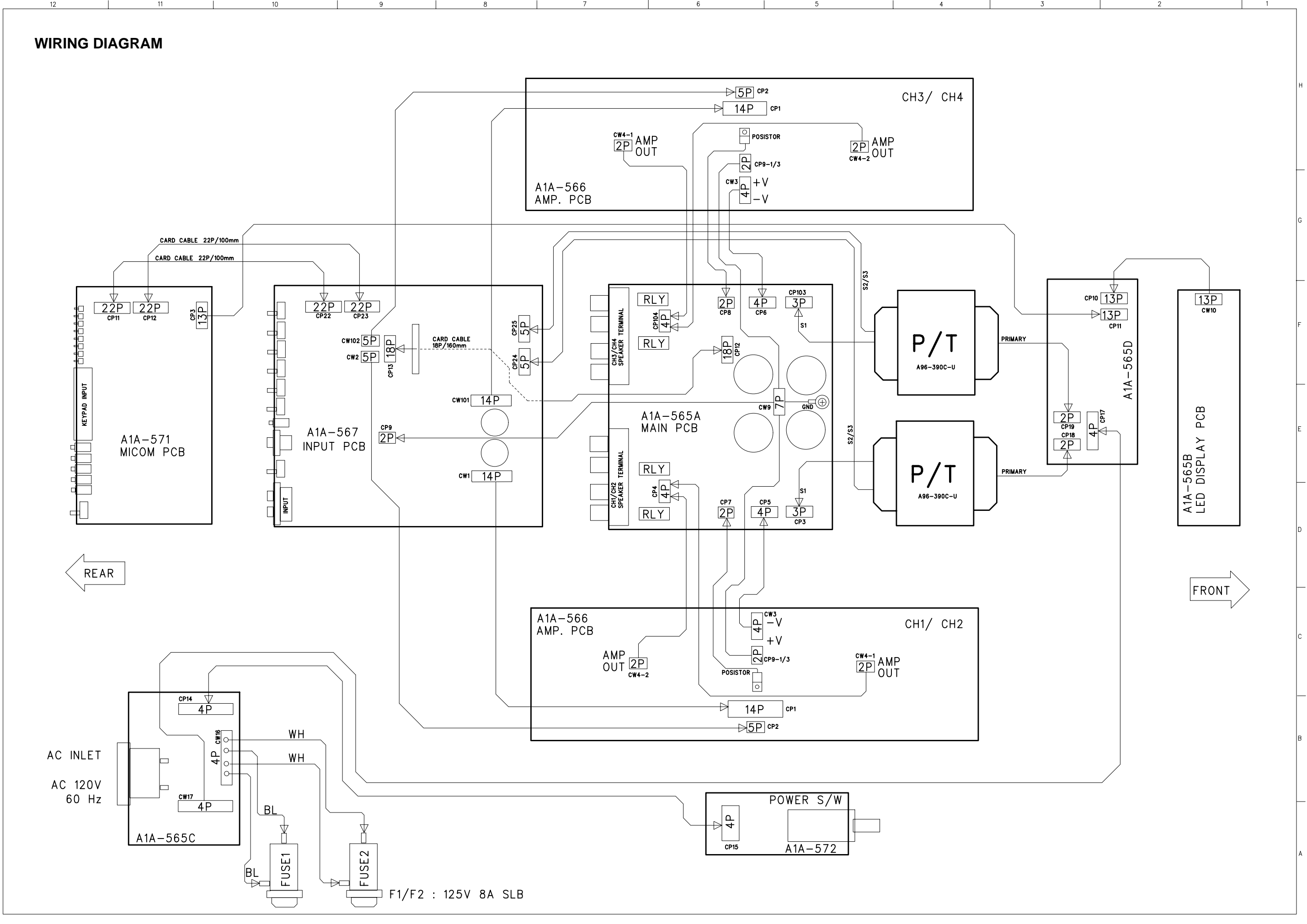


WIRING DIAGRAM





WIRING DIAGRAM



12. PACKING MATERIAL

