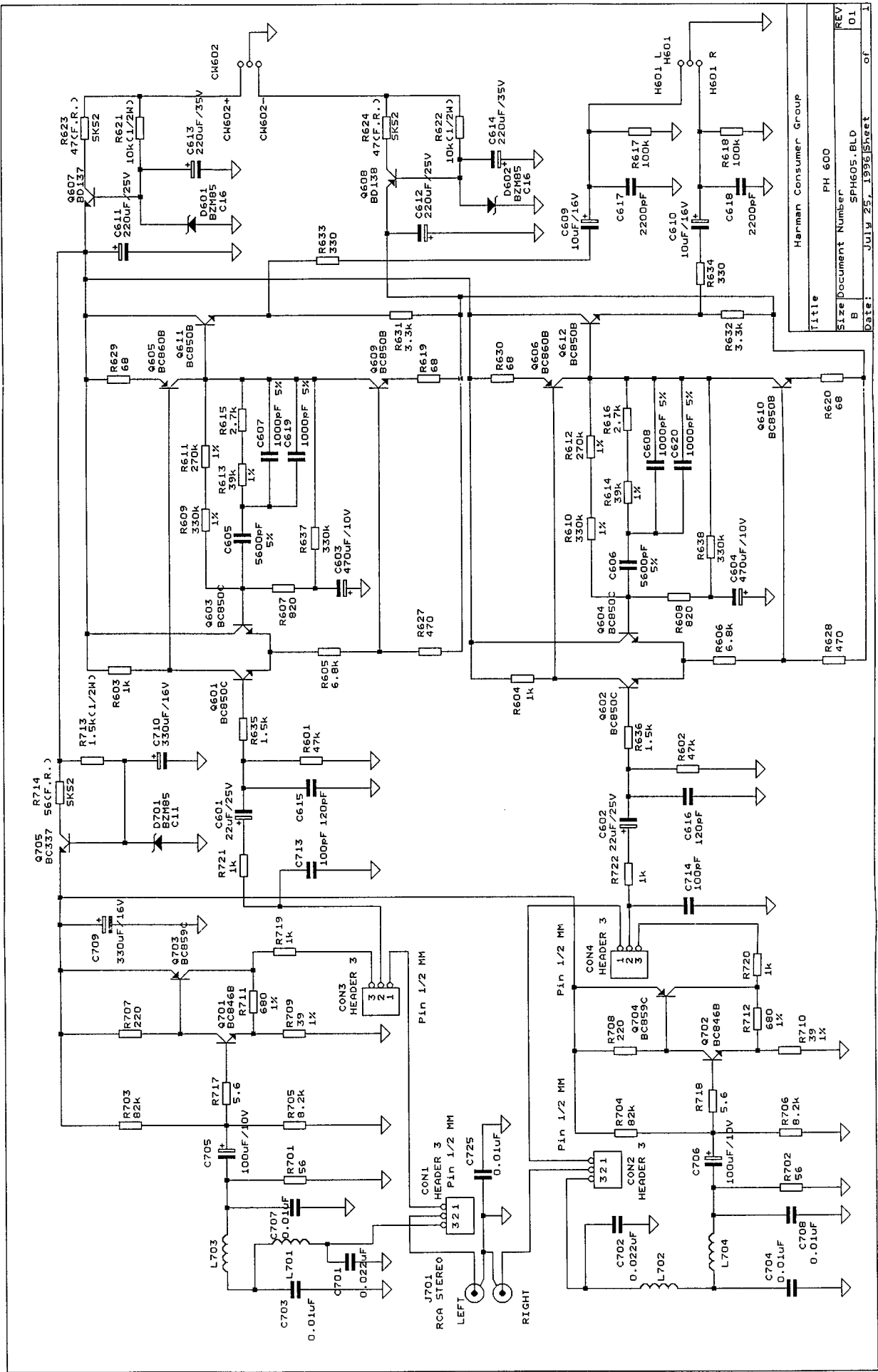


harman/kardon

PH601

Service Information

July 1996



Title		Harman Consumer Group	
Size		PH 600	
Document	Number	SPH605.BLD	
REV		01	
Date:	July 25, 1956	Sheet	of 1

Item	Quantity	Reference	Part
			<i>PH601 / D551-PH601</i>
1	2	C601,C602	22uF/25V C511A R2.5
2	2	C603,C604	470uF/10V C511B R3.2
3	2	C605,C606	5600pF CC1206 5%
4	4	C607,C608,C619,C620	1000pF CC1206 5%
5	2	C609,C610	10uF/16V C511A R2.5
6	2	C611,C612	220uF/25V C511B R3.2
7	2	C613,C614	220uF/35V C511B R5
8	2	C615,C616	120pF CC1206 10%
9	2	C617,C618	2200pF CC1206 10%
10	2	C701,C702	0.022uF CC1206 10%
11	5	C703,C704,C707,C708,C725	0.01uF CC1206 10%
12	2	C705,C706	100uF/10V C511A R2.5
13	2	C709,C710	330uF/16V C511B R3.2
14	2	C713,C714	100pF CC1206 10%
15	4	CON1,CON2,CON3,CON4	HEADER 3 PIN3
16	2	H601,CW602	PIN3
17	2	D601,D602	BZM85 DD1207 C16
18	1	D701	BZM85 DD1207 C11
19	1	J701	RCA STEREO RCA_ST
20	4	L701,L702,L703,L704	INDUCTOR 1c04
21	4	Q601,Q602,Q603,Q604	BC850C st23bce
22	2	Q605,Q606	BC860B st23bce
23	1	Q607	BD137 T126TG
24	1	Q608	BD138 T126TG
25	4	Q609,Q610,Q611,Q612	BC850B st23bce
26	2	Q701,Q702	BC846B st23bce
27	2	Q703,Q704	BC859C st23bce
28	1	Q705	BC337 TO92A
29	2	R601,R602	47k RC1206 5%
30	6	R603,R604,R719,R720,R721, R722	1k RC1206 5%
31	2	R605,R606	6.8k RC1206 5%
32	2	R607,R608	820 RC1206 5%
33	2	R609,R610	330k RC1206 1%
34	2	R611,R612	270k RC1206 1%
35	2	R613,R614	39k RC1206 1%
36	2	R615,R616	2.7k RC1206 5%
37	2	R617,R618	100k RC1206 5%
38	4	R619,R620,R629,R630	68 RC1206 5%
39	2	R621,R622	10k(1/2W) RC05 5%
40	2	R623,R624	47(F.R.) RC05 5% SKS2
41	2	R627,R628	470 RC1206 5%
42	2	R631,R632	3.3k RC1206 5%
43	2	R633,R634	330 RC1206 5%
44	2	R635,R636	1.5k RC1206 5%
45	2	R637,R638	330k RC1206 5%
46	2	R701,R702	56 RC1206 5%
47	2	R703,R704	82k RC1206 5%
48	2	R705,R706	8.2k RC1206 5%
49	2	R707,R708	220 RC1206 5%
50	2	R709,R710	39 minimelf 1%
51	2	R711,R712	680 minimelf 1%
52	1	R713	1.5k(1/2W) RC05 5%
53	1	R714	56(F.R.) RC05 5% SKS2
54	2	R717,R718	5.6 RC1206 5%

