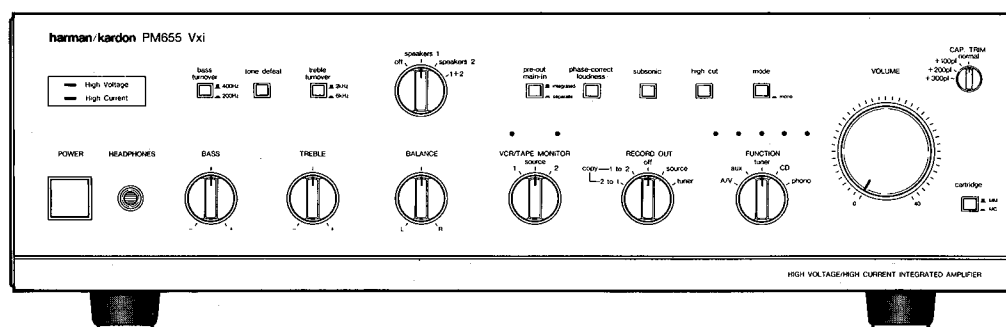


# The Harman Kardon Model PM655 Vxi

Manual 116A

## ULTRAWIDEBAND INTEGRATED AMPLIFIER

# Technical Manual



The following marks found in the parts list of this manual identify the models as follows.

- UA : North America area model
- BK : North America area model Black version
- G : General model
- GB : General model Black version
- N : Japan model

**harman/kardon**

240 Crossways Park West, Woodbury, N.Y. 11797  
1112-3152116A0 P-088710 1500 Printed in Japan

**SPECIFICATIONS**

|   | Nominal | Limit    |
|---|---------|----------|
| RMS Output Power                            |         |          |
| 8Ω, 1kHz THD 0.08%                          | 107W    | ≥ 90W    |
| 4Ω, 1kHz THD 0.1%                           | 116W    | ≥ 90W    |
| High Instantaneous Current Capability (HCC) | 47A     | ≥ 40A    |
| Half Power Bandwidth                        | 10Hz    | ~ 100kHz |
| Frequency Responce at -3dB                  | 0.15Hz  | ~ 180kHz |
| Input Sensitivity                           |         |          |
| Video/CD, Tuner                             | 135mV   | ± 25mV   |
| Phono (MM)                                  | 2.2mV   | ± 0.3mV* |
| Phono (MC)                                  | 120μV   | ± 20μV*  |
| Signal to Noise Ratio                       |         |          |
| Video/CD, Tuner                             | 78dB    | ≥ 75dB   |
| Phono (MM)                                  | 78dB    | ≥ 73dB   |
| Phono (MC)                                  | 77.5dB  | ≥ 74dB   |
| Channel Separation at 10kHz                 |         |          |
| Video/CD                                    | 59dB    | ≥ 45dB   |
| Phono (MM), Tuner                           | 59dB    | ≥ 45dB   |
| Phono (MC)                                  | 63dB    | ≥ 44dB   |
| IM Distortion Ratio                         | 0.07%   | ≤ 0.13%  |
| Damping Factor at 1kHz                      | 71      | ≥ 50     |
| Tone Control Characteristics                |         |          |
| Bass Turnover Frquency(200Hz/400Hz)         |         |          |
| Bass at 50Hz/100Hz                          |         |          |
| Boost                                       | 10dB    | ± 2dB    |
| Cut   | 10dB    | ± 2dB    |
| Treble Turnover Frequency (2kHz/6kHz)       |         |          |
| Treble at 10kHz/30kHz                       |         |          |
| Boost                                       | 10dB    | ± 2dB    |
| Cut   | 10dB    | ± 2dB    |

|  | Nominal                       | Limit                  |
|--|-------------------------------|------------------------|
| Filters  |                               |                        |
| Subsonic   | 15Hz,                         | -3dB ± 1dB/Octave      |
| High Cut   | 6kHz,                         | -3dB ± 1dB/Octave      |
| DC Output Voltage                                    |                               |                        |
| L channel  | 0mV                           | ± 60mV                 |
| R channel  | 0mV                           | ± 60mV                 |
| RIAA Equalization at Tape Out (20Hz/20kHz) (No load) | 0.2dB                         | ± 0.5dB/-0.1dB ± 0.5dB |
| Phono Over Load (No load)                            |                               |                        |
| Phono (MM)   | 220mV                         | ≥ 190mV                |
| Phono (MC)   | 12.2mV                        | ≥ 8mV                  |
| Dimensions (W x H x D)                               | 17-1/2" x 5-5/16" x 15-11/16" | (443 x 134 x 398mm)    |
| Weight   | 22lbs.                        | 11oz. (10.3kg)         |
| Power Supplies                                       |                               |                        |
| North America area model                             | AC 120V,                      | 60Hz                   |
| General model  | AC 220/240V,                  | 50/60Hz                |
| Japan model  | AC 100V,                      | 50/60Hz                |
| Power Consumption                                    |                               |                        |
| North America area model                             | 340W                          | (340VA)                |
| General model  | 230W                          |                        |
| Japan model  | 340W                          |                        |

\* Input Sensitivity for General model are 2.2mV ± 0.3mV (MM) and 140μV ± 20μV (MC).

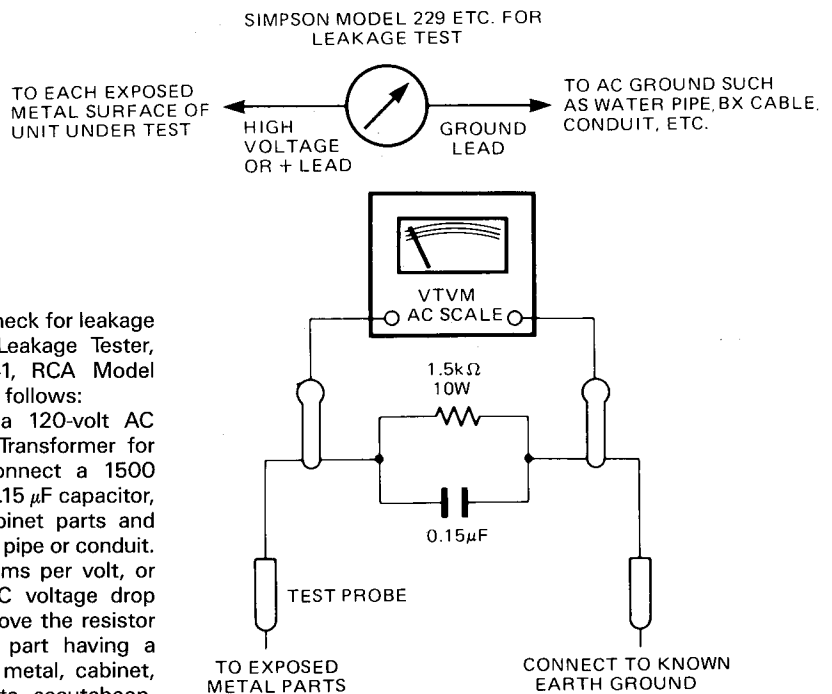
This specification is the target of servicing. But, there is a care that the specification is not applicable to the measurement condition and instrument.

Specifications and components subject to change without notice. Overall performance will be maintained or improved.

**LEAKAGE TEST (FOR SERVICE ENGINEERS IN THE U.S.A.)**

Before returning the unit to the user, perform the following safety checks:

1. Inspect all lead dress to make certain that leads are not pinched or that hardware is not lodged between the chassis and other metal parts in the unit.
2. Be sure that any protective devices such as nonmetallic control knobs, insulating fishpapers, cabinet backs, adjustment and compartment covers or shields, isolation resistor-capacity networks, mechanical insulators, etc. which were removed for servicing are properly reinstalled.
3. Be sure that no shock hazard exists; check for leakage current using Simpson Model 229 Leakage Tester, standard equipment item No. 21641, RCA Model WT540A or use alternate method as follows: Plug the power cord directly into a 120-volt AC receptacle (do not use an Isolation Transformer for this test). Using two clip leads, connect a 1500 Ohm, 10-watt resistor paralleled by a 0.15 μF capacitor, in series with all exposed metal cabinet parts and a known earth ground, such as a water pipe or conduit. Use a VTVM or VOM with 1000 Ohms per volt, or higher sensitivity to measure the AC voltage drop across the resistor. (See Diagram.) Move the resistor connection to each exposed metal part having a return path to the chassis (antenna, metal, cabinet, screw heads, knobs and control shafts, escutcheon, etc.) and measure the AC voltage drop across the resistor. (This test should be performed with the power switch in both the On and Off positions.) A reading of 0.35 volt RMS or more is excessive and indicates a potential shock hazard which must be corrected before returning the unit to the owner.



## DISASSEMBLY PROCEDURES (REFER TO PAGES 5 AND 19)

### 1 CABINET TOP (131) REMOVAL

Remove 8 screws (A) and then remove the Cabinet Top (131).

### 2 FRONT PANEL ASS'Y (AA) REMOVAL

1. Remove the Cabinet Top (131), referring to the previous step 1.
2. Remove 5 screws (B) and then remove the Front Panel Ass'y (AA).

### 3 MAIN P. C. BOARD (PCB-1) REMOVAL

1. Remove 10 screws (C) and then remove the Cabinet Bottom Ass'y (AC).
2. Remove the Front Panel Ass'y (AA), referring to the previous step 2.
3. Loosen 2 hexagon-socket-head screws (D) and pull out the Shaft Ass'y (BC) with the Rotary Knob Ass'y (AD).
4. Remove 24 screws (E) and a plastic rivet (F) and then remove the Cabinet Back Ass'y (AB).  
If necessary, unsolder the lead wires from the Power Transformer (T1).
5. Remove 7 screws (G) and then remove the Main P. C. Board (PCB-1) with the Heat Sink (177). At this time, unsolder the lead wires connected to the Main P. C. Board (PCB-1).

### 4 FUSE P. C. BOARD (PCB-3) REMOVAL

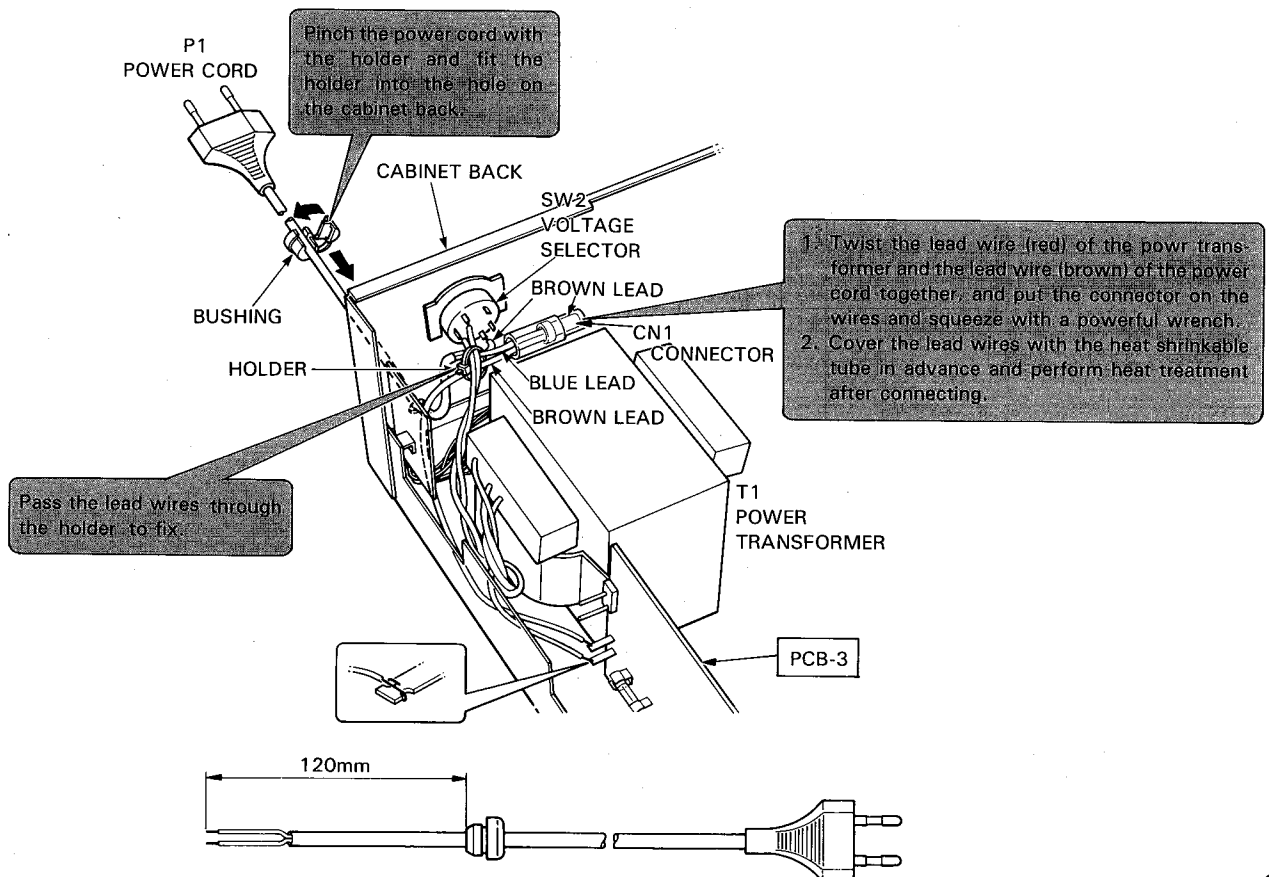
1. Remove the Front Panel Ass'y (AA), referring to the previous step 2.
2. Pull out the Push Button Ass'y (AE) and Levers (213).
3. Remove 3 screws (H), then remove the Fuse P. C. Board (PCB-3). If necessary unsolder the lead wires.

### 5 TONE 1 P. C. BOARD (PCB-5) REMOVAL

1. Remove the Front Panel Ass'y (AA), referring to the previous step 2.
2. Pull out the Shaft Ass'y (BC) with the Rotary Knob Ass'y (AD), referring to the Previous step 3.
3. Pull out the 4 Rotary Knob Ass'y (AD), 3 Rotary Knobs (153) Cap. Trim Knob (151), Power Push Button (146) and Levers (213).
4. Remove a hexagon nut (I), then remove the Capacitance Trim P. C. Board (PCB-8).
5. Remove screw (J), 2 plastic rivet (F) and (K), 2 screw (L) and screw (E) mounting the Metal Fitting (165), then remove the Metal Fitting (165) with the Equalizer P. C. Board (PCB-11).
6. Straighten the catches fixing the 4/8Ω LED P. C. Board (PCB-9) and then remove it.
7. Remove the metal fixture (M) fixing the Headphone P. C. Board (PCB-11) and then remove it.
8. Remove 7 hexagon nuts (N) and remove 4 screws (O).
9. Remove 6 screws (P) and the Chassis Ass'y (BA), then the Tone 1 P. C. Board (PCB-5), Tone 2 P. C. Board (PCB-6) and Volume P. C. Board (PCB-7) can be removed. Unsolder the lead wires if necessary when removing each P. C. Board.

## POWER CORD REPLACEMENT (FOR SERVICE ENGINEERS OTHER THAN NOTRH AMERICA)

In order to prevent fire or shock hazard when replacing the power cord, follow the procedure below to replace the parts with the standard supply parts.



**ALIGNMENT PROCEDURES (REFER TO PAGES 7, 8, 9 AND 18)**

- Conditions:
- Set the Function selector to the "aux" position.
  - Set the Volume control to minimum.
  - Set the Speaker selector to the "off" position.
  - Make the adjustment at a room temperature of 77°F (25°C).

■ **DC BALANCE ADJUSTMENT**

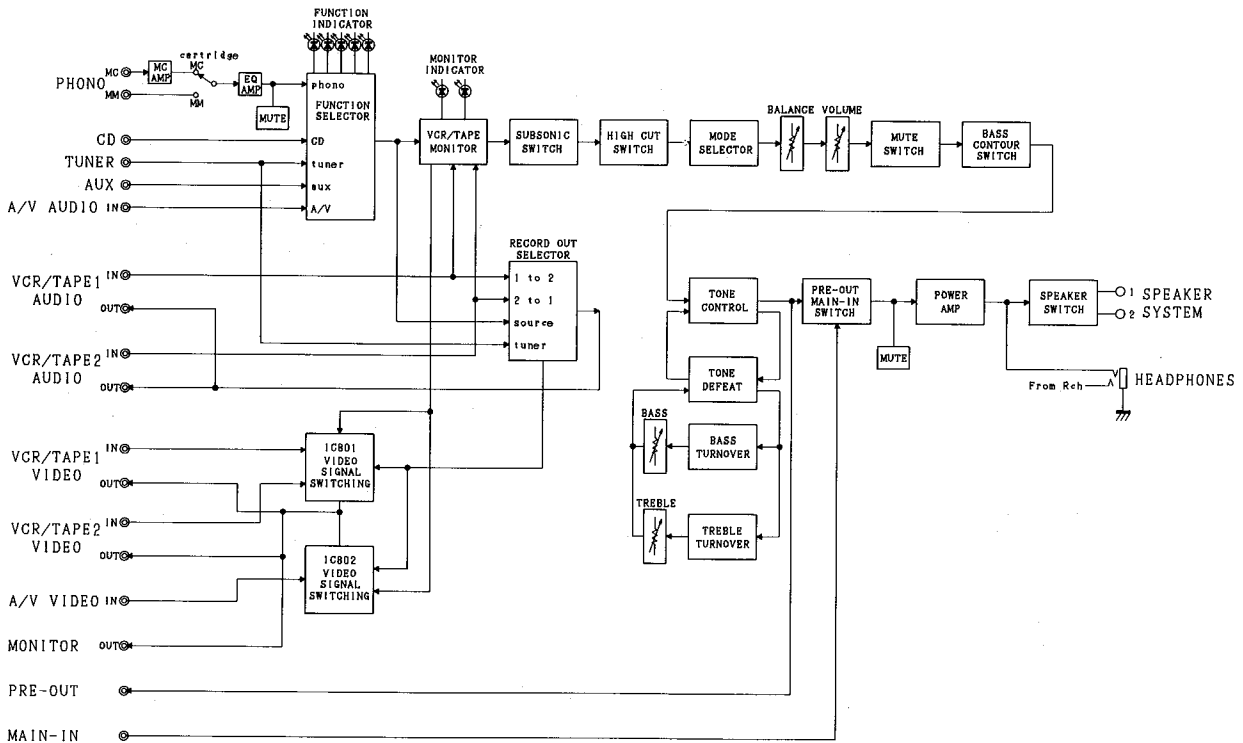
| Step | Connection Equipments                          | Adjustment | For      |
|------|--|------------|----------|
| 1    | Connect the Digital Volt Meter to TP1 and TP2. | VR401      | 0 ± 10mV |
| 2    | Connect the Digital Volt Meter to TP3 and TP2. | VR402      | 0 ± 10mV |

■ **IDLING CURRENT ADJUSTMENT**

| Step | Connection Equipments                          | Adjustment | For  |
|------|--|------------|------|
| 1    | Connect the Digital Volt Meter to TP4 and TP5. | VR403      | 30mV |
| 2    | Connect the Digital Volt Meter to TP6 and TP7. | VR404      | 30mV |

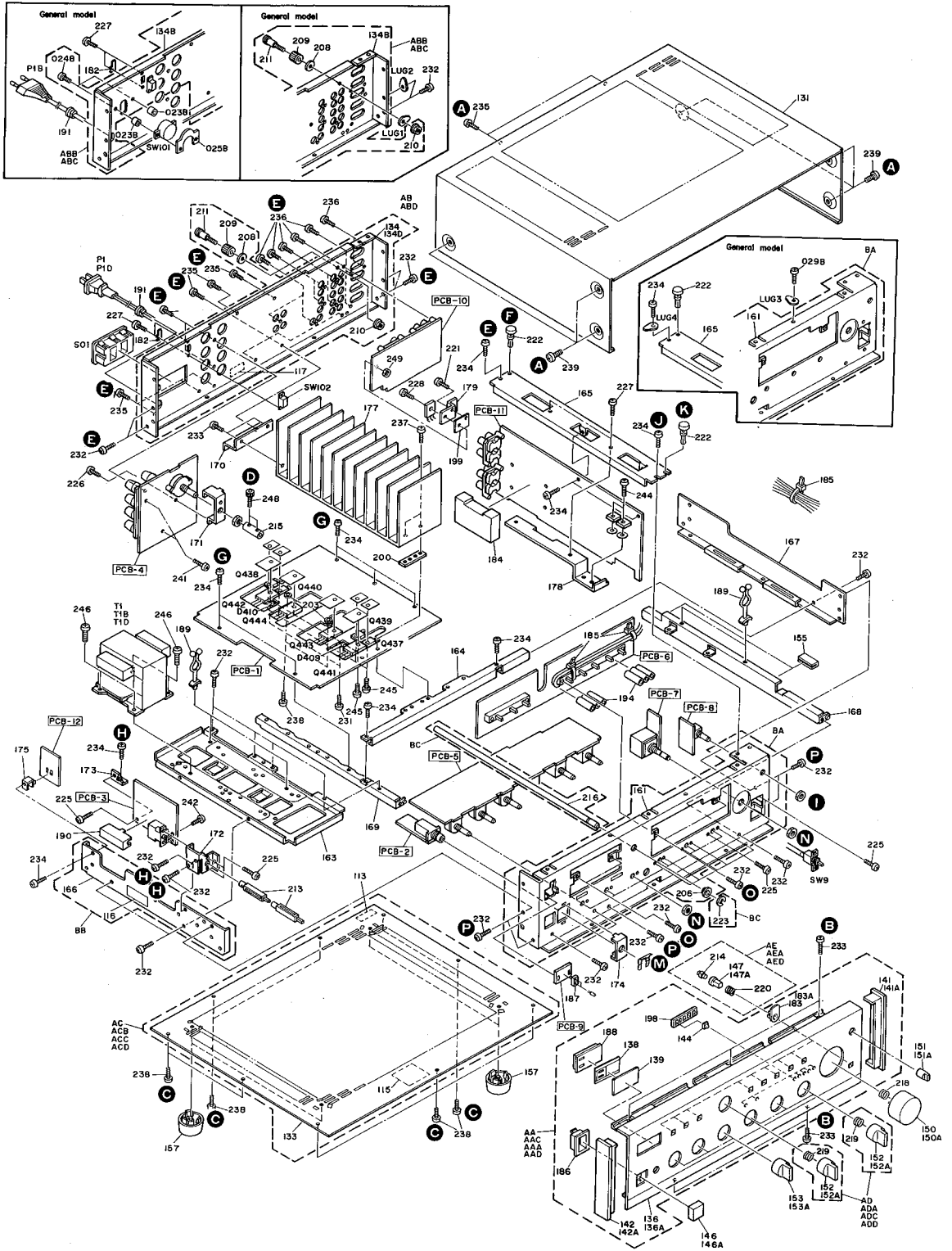
■ After the above adjustment, leave the unit with its power on for longer than 15 minutes and then repeat the same adjustment.

**BLOCK DIAGRAM**



# GENERAL UNIT EXPLODED VIEW

1  
2  
3  
4  
5  
6  
7

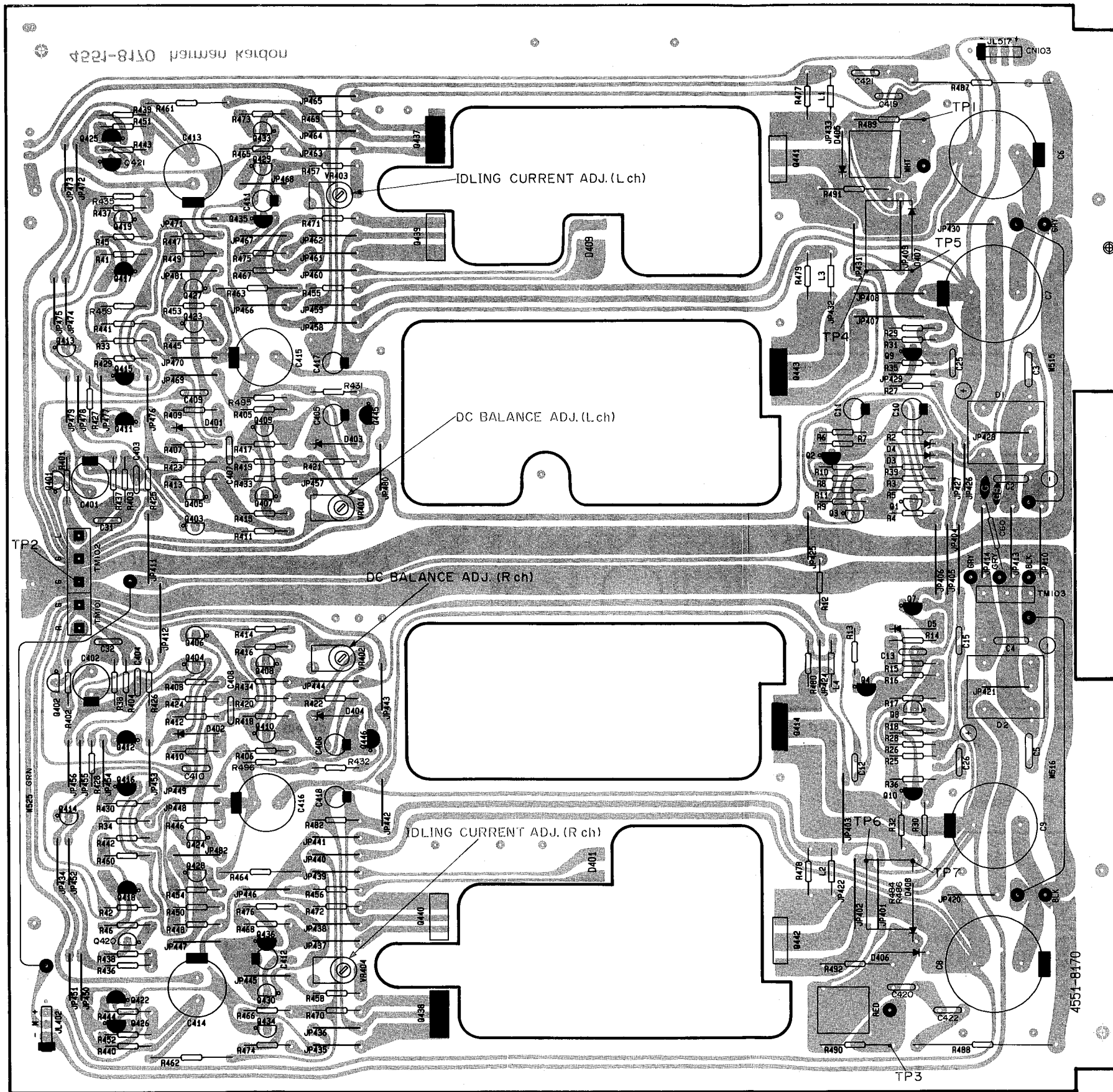


## PARTS LIST

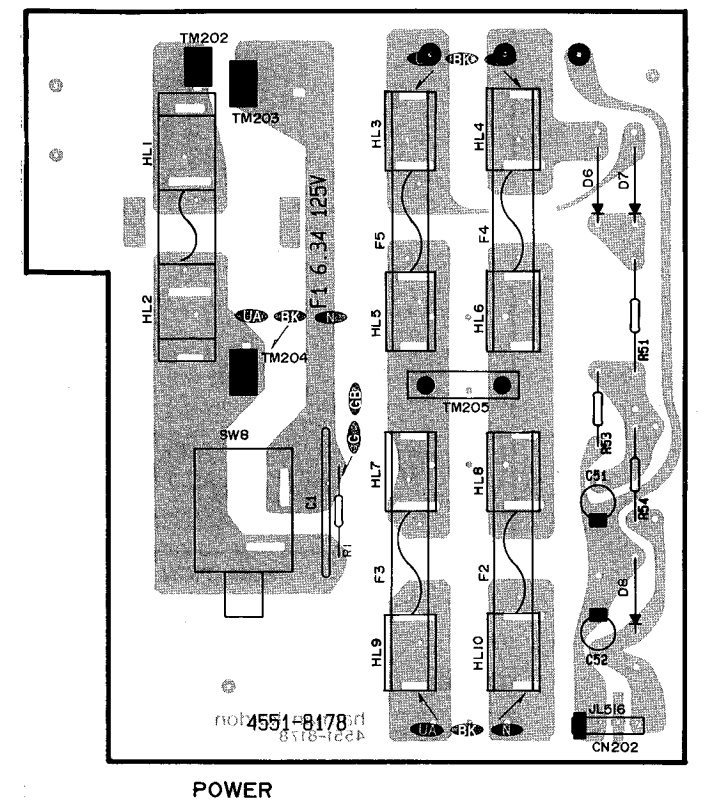
| Ref. No. | Part No.      | Description                                   | Ref. No. | Part No.          | Description                      |
|----------|---------------|---|----------|-------------------|----------------------------------|
| AA       | A443-PM655S2A | FRONT PANEL ASS'Y <b>UA G</b>                 | 183A     | 2240-7202         | HOLDER <b>BK GB N</b>            |
| AAA      | A443-PM655S2B | FRONT PANEL ASS'Y <b>BK</b>                   | 184      | 2240-7183         | HOLDER, MC                       |
| AAC      | A443-PM655S2C | FRONT PANEL ASS'Y <b>GB</b>                   | 185      | 2240-7120         | HOLDER, WIRING                   |
| AAD      | A443-PM655S2D | FRONT PANEL ASS'Y <b>N</b>                    | 186      | 2240-7109         | HOLDER, POWER                    |
| AB       | A424-PM655S2A | CABINET BACK ASS'Y <b>UA BK</b>               | 187      | 2240-7315         | HOLDER, LED                      |
| ABB      | A424-PM655S2B | CABINET BACK ASS'Y <b>G</b>                   | 188      | 2240-7316         | HOLDER, PANEL                    |
| ABC      | A424-PM655S2C | CABINET BACK ASS'Y <b>GB</b>                  | 189      | 2240-7050         | HOLDER, EQ X2 TRANS X2           |
| ABD      | A424-PM655S2D | CABINET BACK ASS'Y <b>N</b>                   | 190      | 2240-7176         | HOLDER, FUSE                     |
| AC       | A423-PM655S2A | CABINET BOTTOM ASS'Y <b>UA BK</b>             | 191      | 2240-364          | HOLDER, AC CORD                  |
| ACB      | A423-PM655S2B | CABINET BOTTOM ASS'Y <b>G</b>                 | 194      | 2132-7126         | SPACER, LED                      |
| ACC      | A423-PM655S2C | CABINET BOTTOM ASS'Y <b>GB</b>                | 198      | 2112-0040         | SPONGE, LED                      |
| ACD      | A423-PM655S2D | CABINET BOTTOM ASS'Y <b>N</b>                 | 199      | 2224-7120         | INSULATOR, AV.HEAT               |
| AD       | A630-PM655S2A | ROTARY KNOB FUNCTION SWITCH ASS'Y <b>UA G</b> | 200      | 2224-7120         | INSULATOR                        |
| ADA      | A630-PM655S2B | ROTARY KNOB FUNCTION SWITCH ASS'Y <b>BK</b>   | 203      | 2402-0374         | WASHER, PLASTIC                  |
| ADC      | A630-PM655S2C | ROTARY KNOB FUNCTION SWITCH ASS'Y <b>GB</b>   | 206      | 2410-100          | WASHER, SPE                      |
| ADD      | A630-PM655S2D | ROTARY KNOB FUNCTION SWITCH ASS'Y <b>N</b>    | 208      | 2410-7005         | WASHER, SPE                      |
| AE       | A662-PM655S2A | PUSH BUTTON ASS'Y <b>UA G</b>                 | 209      | 2440-7011         | NUT, SPE                         |
| AEA      | A662-PM655S2B | PUSH BUTTON ASS'Y <b>BK</b>                   | 210      | 2440-7016         | NUT, SPE                         |
| AED      | A662-PM655S2D | PUSH BUTTON ASS'Y <b>N</b>                    | 211      | 2310-7015         | SCREW, SPE                       |
| BA       | B211-PM655S2A | CHASSIS ASS'Y                                 | 213      | 2672-7018         | LEVER, POWER SHAFT               |
| BB       | B219-PM655S2A | METAL FITTING ASS'Y                           | 214      | 2601-7077         | SHAFT                            |
| BC       | B601-PM655S2A | SHAFT ASS'Y                                   | 215      | 2601-7069         | SHAFT, SPRING                    |
| 023B     | 2132-7116     | SPACER <b>G GB</b>                            | 216      | 2601-7131         | SHAFT                            |
| 024B     | 2327-R0130124 | SCREW, BND+ <b>G GB</b>                       | 218      | 2651-110518       | SPRING, VOLUME                   |
| 025B     | 2440-7017     | NUT, SPE <b>G GB</b>                          | 219      | 2651-110518       | SPRING, SWITCH                   |
| 029B     | 2347-300526   | SCREW, BND+ <b>G GB</b>                       | 220      | 2651-210189       | SPRING, PUSH BUTTON              |
| 113      | 1117-78       | SERIAL LABEL                                  | 221      | 2459-3005511      | RIVET, PLASTIC                   |
| 115      | 1751-01018    | LABEL <b>UA BK N</b>                          | 222      | 2459-3003511      | RIVET, PLASTIC                   |
| 116      | 1756-05910    | LABEL, FUSE CAUTION                           | 223      | 2461-501          | STOPPER, E                       |
| 117      | 1756-CSA      | LABEL <b>UA BK N</b>                          | 225      | 2327-R0130064     | SCREW, BND+                      |
| 131      | 1414-10401    | CABINET TOP                                   | 226      | 2327-R0130064     | SCREW, BND+                      |
| 133      | 1423-03101    | CABINET BOTTOM                                | 227      | 2327-R0130064     | SCREW, BND+                      |
| 134      | 1424-22801    | CABINET BACK <b>UA BK</b>                     | 228      | 2327-R0130122     | SCREW, BND+                      |
| 134B     | 1424-22803    | CABINET BACK <b>G GB</b>                      | 231      | 2347-R0130062     | SCREW, BND T+                    |
| 134D     | 1424-22802    | CABINET BACK <b>N</b>                         | 232      | 2347-R0130062     | SCREW, BND T+                    |
| 136      | 1443-10901    | FRONT PANEL <b>UA G</b>                       | 233      | 2347-R0130062     | SCREW, BND T+                    |
| 136A     | 1443-10902    | FRONT PANEL <b>BK GB N</b>                    | 234      | 2347-R0130062     | SCREW, BND T+                    |
| 138      | 1513-09501    | PANEL, PLATE                                  | 235      | 2347-R0130084     | SCREW, BND T+                    |
| 139      | 1531-11304    | PANEL, WINDOW                                 | 236      | 2347-R0130084     | SCREW, BND T+                    |
| 141      | 1562-01602    | FRAME, RIGHT <b>UA G</b>                      | 237      | 2347-R0130102     | SCREW, BND T+                    |
| 141A     | 1562-01603    | FRAME, RIGHT <b>BK GB N</b>                   | 238      | 2347-R0130102     | SCREW, BND T+                    |
| 142      | 1562-01702    | FRAME, LEFT <b>UA G</b>                       | 239      | 2347-R0140064     | SCREW, BND T+                    |
| 142A     | 1562-01703    | FRAME, LEFT <b>BK GB N</b>                    | 241      | 2343-300826       | SCREW, CSK T+                    |
| 144      | 1732-02401    | INDICATOR                                     | 242      | 2343-300826       | SCREW, CSK T+                    |
| 146      | 1660-00401    | PUSH BUTTON, POWER <b>UA G</b>                | 244      | 2557-301029       | SCREW, B SPW+                    |
| 146A     | 1660-00403    | PUSH BUTTON, POWER <b>BK GB N</b>             | 245      | 2557-301029       | SCREW, B SPW+                    |
| 147      | 1662-05701VN  | PUSH BUTTON <b>UA G</b>                       | 246      | 2557-400829       | SCREW, B SPW+                    |
| 147A     | 1662-05702    | PUSH BUTTON <b>BK GB N</b>                    | 248      | 2396-300549       | SCREW, SK HEX                    |
| 150      | 1630-02901    | ROTARY KNOB, VOLUME <b>UA G</b>               | 249      | 2440-7016         | NUT, SPE                         |
| 150A     | 1630-02903    | ROTARY KNOB, VOLUME <b>BK GB N</b>            | ΔPI      | 4161-71151        | CORD W/PLUG <b>UA BK</b>         |
| 151      | 1634-04501    | ROTARY KNOB, CAPTRIM <b>UA G</b>              | ΔPIB     | 4161-7256         | CORD W/PLUG <b>G GB</b>          |
| 151A     | 1634-04503    | ROTARY KNOB, CAPTRIM <b>BK GB N</b>           | ΔPID     | 4161-71148        | CORD W/PLUG <b>N</b>             |
| 152      | 1630-02801    | ROTARY KNOB, FUCTION SWITCH <b>UA G</b>       | ΔTI      | 5582-S02          | XFORMER, POWER <b>UA BK</b>      |
| 152A     | 1630-02803    | ROTARY KNOB, FUCTION SWITCH <b>BK GB N</b>    | ΔTIB     | 5582-S03          | XFORMER, POWER <b>G GB</b>       |
| 153      | 1630-02801    | ROTARY KNOB <b>UA G</b>                       | ΔTID     | 5582-S04          | XFORMER, POWER <b>N</b>          |
| 153A     | 1630-02803    | ROTARY KNOB <b>BK GB N</b>                    | ΔSOI     | 4474-156          | SOCKET, AC OUTLET <b>UA BK N</b> |
| 155      | 1568-00301    | FRAME   | LUG1     | 4211-4            | LUG <b>G GB</b>                  |
| 157      | 1319-0139     | LEG   | LUG2     | 4211-4            | LUG <b>G GB</b>                  |
| 161      | 2211-7260     | CHASSIS                                       | LUG3     | 4211-4            | LUG <b>G GB</b>                  |
| 163      | 2219-8036     | METAL FITTING, TRANS                          | LUG4     | 4211-4            | LUG <b>G GB</b>                  |
| 164      | 2219-8008     | METAL FITTING, H.CENTER                       | SW9      | 4422-70211        | SWITCH, REMOTE                   |
| 165      | 2219-8009     | METAL FITTING, EQ                             | ΔSW101   | 4411-102729       | SWITCH, ROTARY <b>G GB</b>       |
| 166      | 2219-8010     | METAL FITTING, TRANS SIDE                     | SW102    | 4421-0227230      | SLIDE SWITCH                     |
| 167      | 2219-8011     | METAL FITTING, EQ SIDE                        | Q437     | 5611-1111(Q)or(R) | XISTOR,PNP R                     |
| 168      | 2219-8012     | METAL FITTING, EQ CENTER                      | Q438     | 5611-1111(Q)or(R) | XISTOR,PNP R                     |
| 169      | 2219-8013     | METAL FITTING, TRANS CENTER                   | Q439     | 5613-2591(Q)or(R) | XISTOR,NPN R                     |
| 170      | 2219-8014     | METAL FITTING, METAL HEAT                     | Q440     | 5613-2591(Q)or(R) | XISTOR,NPN R                     |
| 171      | 2219-8015     | METAL FITTING, SPRING SWITCH                  | Q441     | 5613-3281(O)or(R) | XISTOR,NPN R                     |
| 172      | 2219-8016     | METAL FITTING, POWER SWITCH                   | Q442     | 5613-3281(O)or(R) | XISTOR,NPN R                     |
| 173      | 2219-8019     | METAL FITTING, POWER PCB                      | Q443     | 5611-1302(O)or(R) | XISTOR,PNP R                     |
| 174      | 2219-7879     | METAL FITTING, H/P                            | Q444     | 5611-1302(O)or(R) | XISTOR,PNP R                     |
| 175      | 2219-8035     | METAL FITTING, 4/8Ω PCB                       | Q623     | 5613-3298(O)or(Y) | XISTOR,NPN R                     |
| 177      | 2222-7173     | HEAT SINK, MAIN                               | Q624     | 5611-1306(O)or(Y) | XISTOR,PNP R                     |
| 178      | 2222-7183     | HEAT SINK, EQ                                 | D409     | 5641-MV12YM       | VARISTOR                         |
| 179      | 2222-7229     | HEAT SINK, AV PCB                             | D410     | 5641-MV12YM       | VARISTOR                         |
| 183      | 2240-7141     | HOLDER <b>UA G</b>                            |          |                   |                                  |

P. C. BOARDS

PCB-1 Main Driver P. C. Board



PCB-3 Fuse P. C. Board

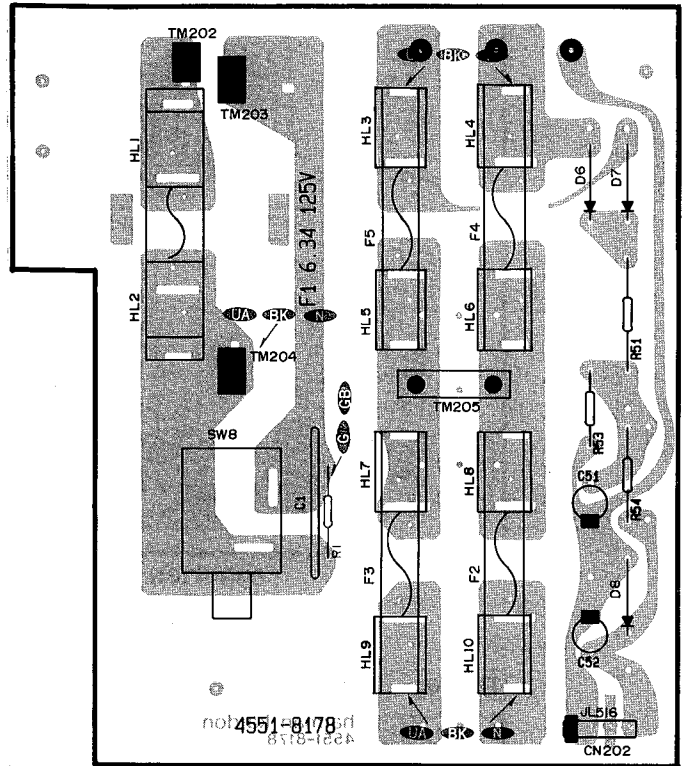






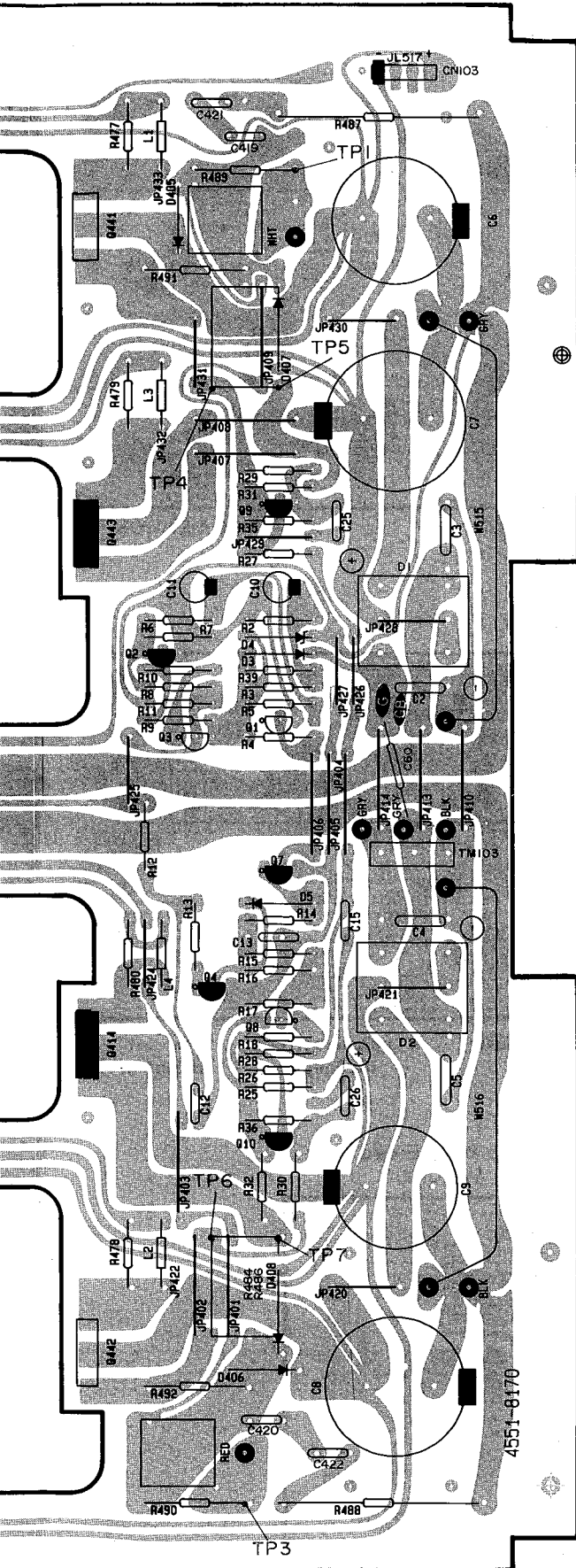
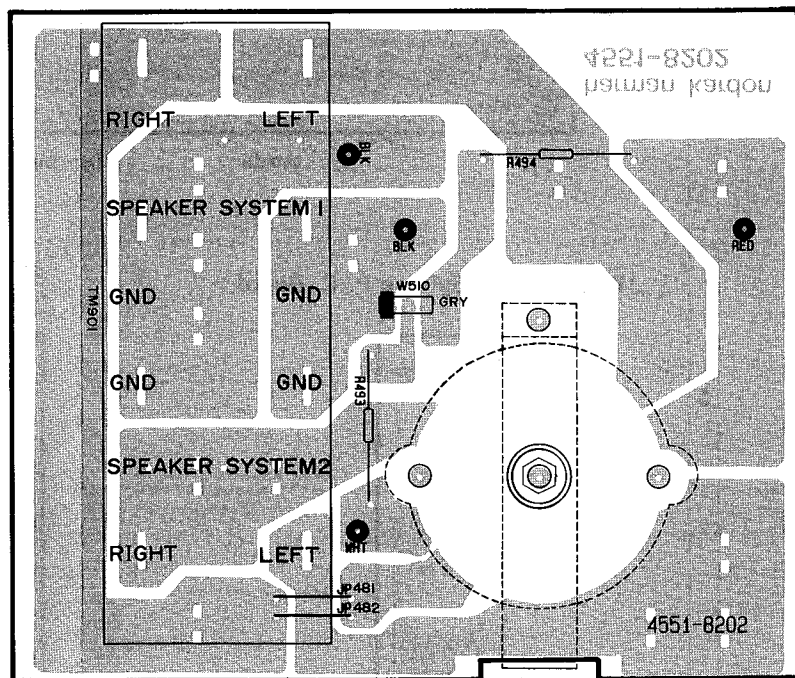
E F G H I J

PCB-3 Fuse P. C. Board



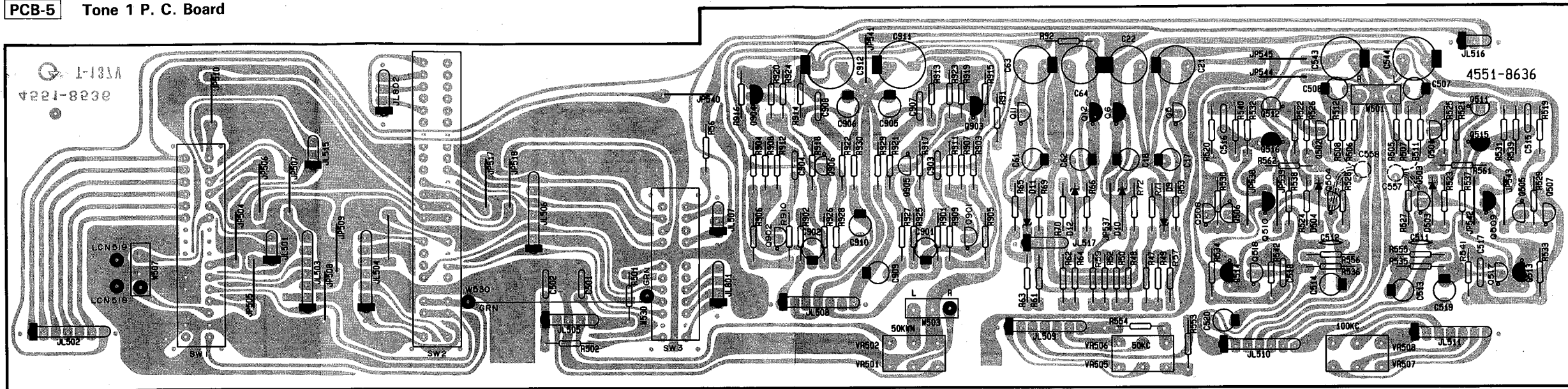
POWER

PCB-4 Speaker P. C. Board



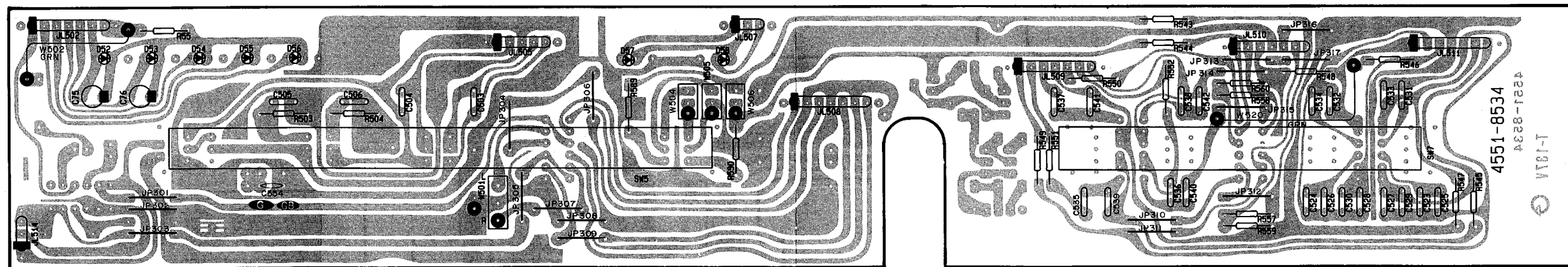
P. C. BOARDS

PCB-5 Tone 1 P. C. Board



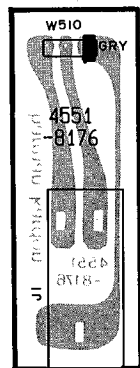
FUNCTION RECORD OUT VCR/TAPE MONITOR BALANCE TREBLE BASS

PCB-6 Tone 2 P. C. Board



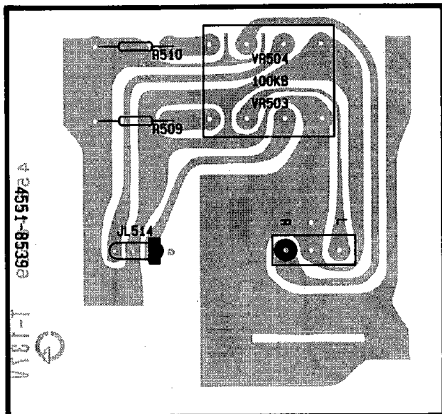
mode high cut subsonic phase-correct loudness pre-out main-in treble turnover tone defeat bass turnover

PCB-2 Headphone P. C. Board

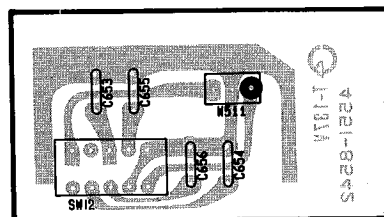


HEADPHONES

PCB-7 Volume P. C. Board VOLUME

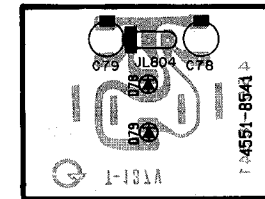


PCB-8 Capacitance Trim P. C. Board



CAP. TRIM

PCB-9 4/8Ω LED P. C. Board



High Voltage High Current



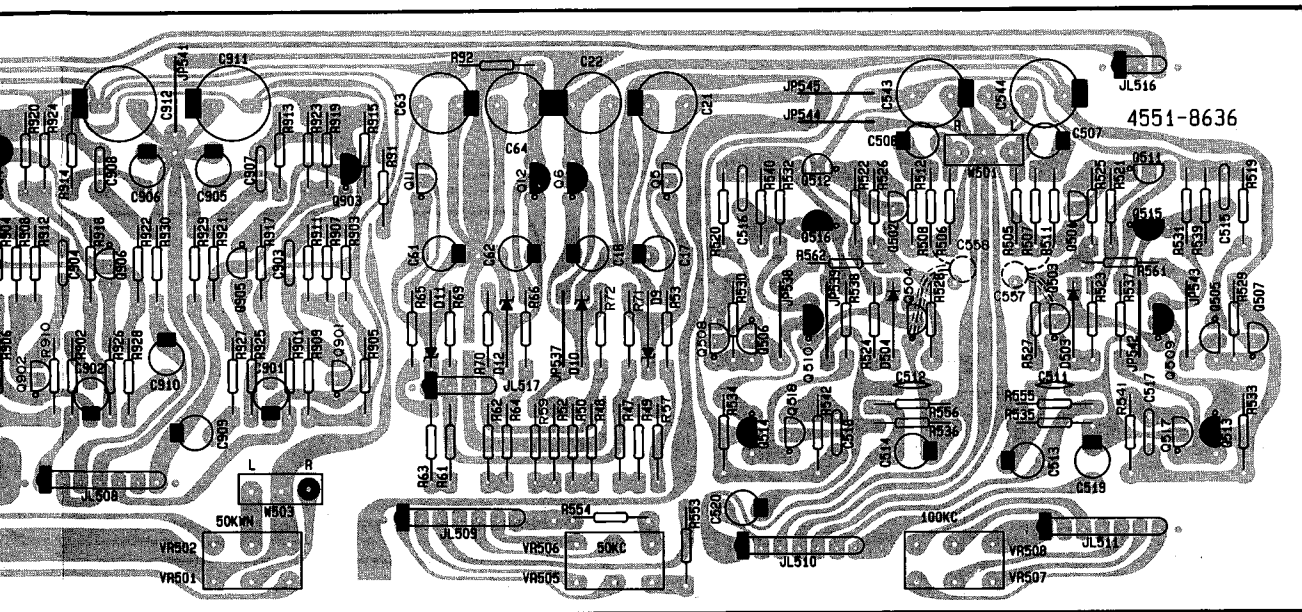
F

G

H

I

J

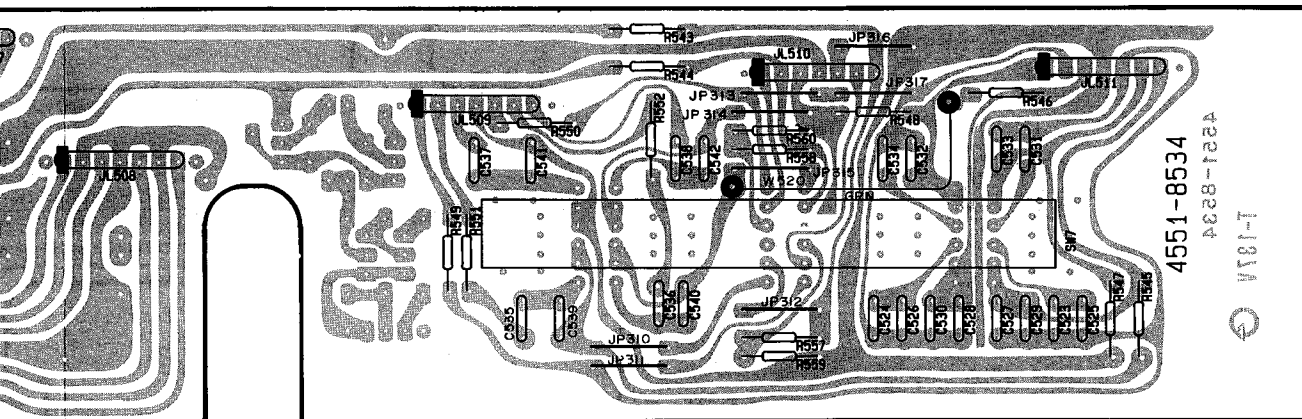


BALANCE

TREBLE

BASS

4551-8636



treble turnover

tone defeat

bass turnover

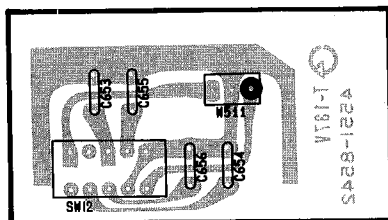
4551-8534

4528-1224

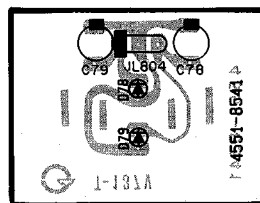
1-131A

PCB-8 Capacitance Trim P. C. Board

PCB-9 4/8Ω LED P. C. Board



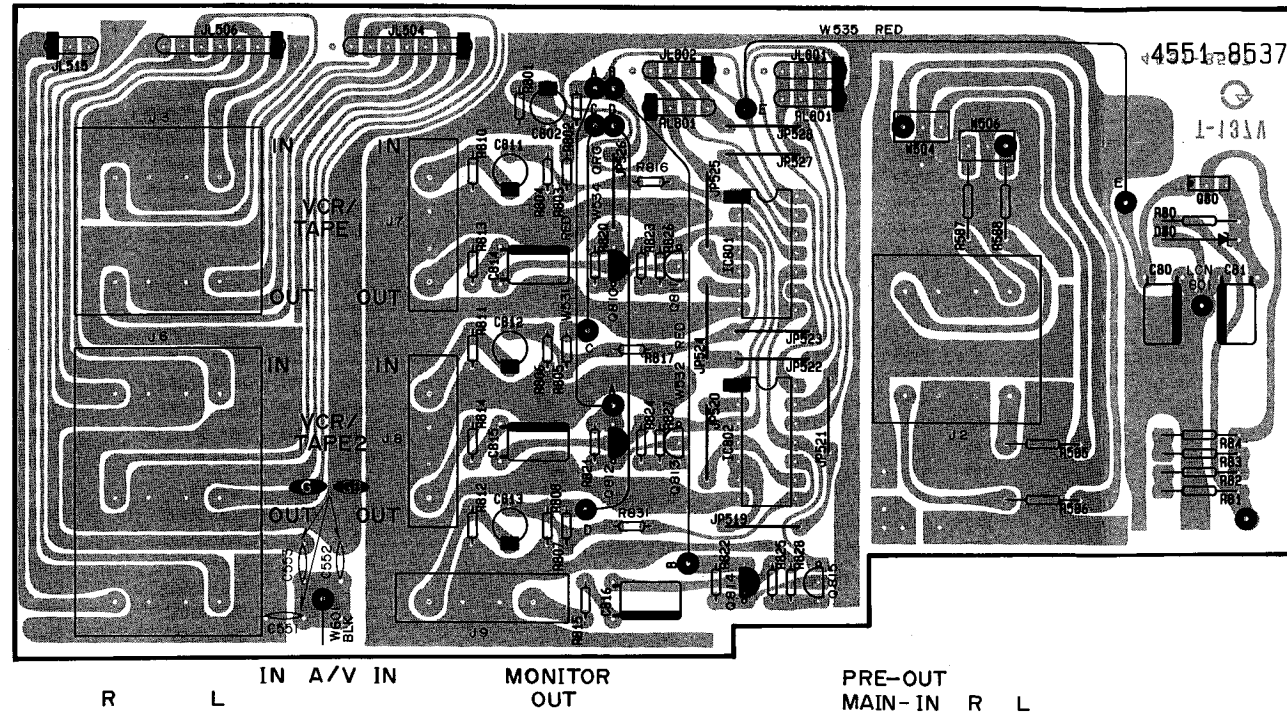
CAP. TRIM



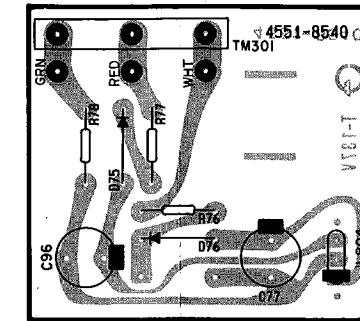
High Voltage  
High Current

P. C. BOARDS

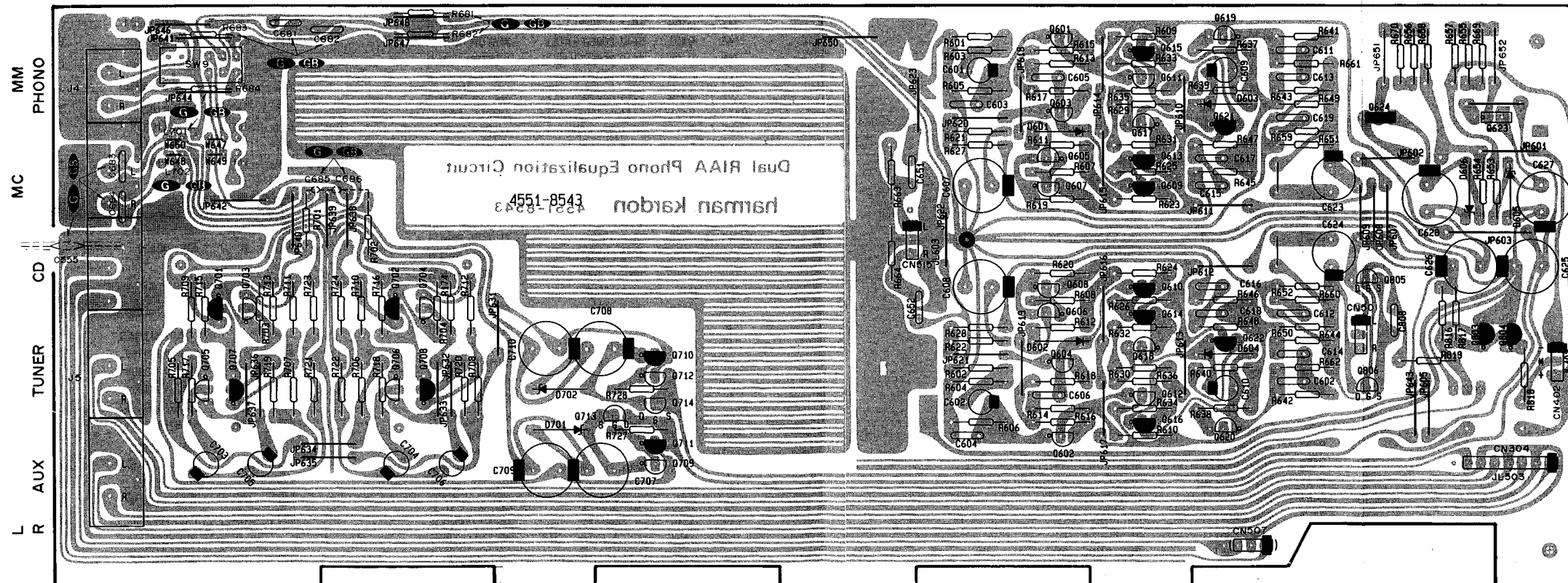
PCB-10 Pin Jack P. C. Board



PCB-12 4/8Ω P. C. Board

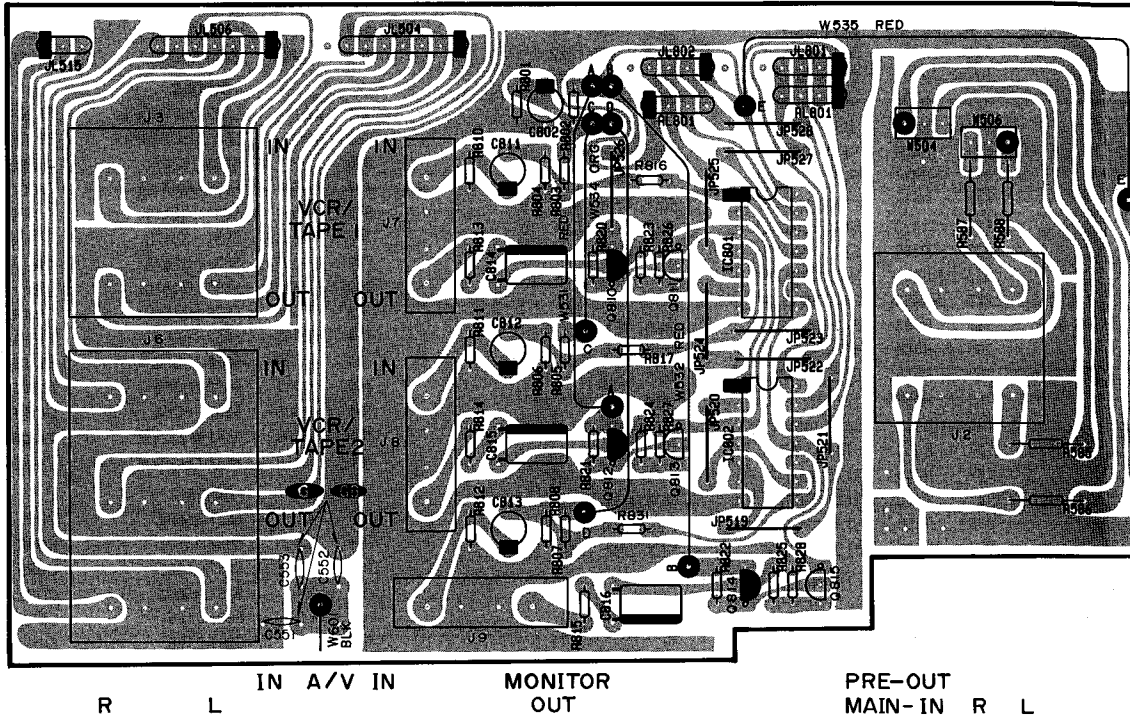


PCB-11 Equalizer P. C. Board Cartridge

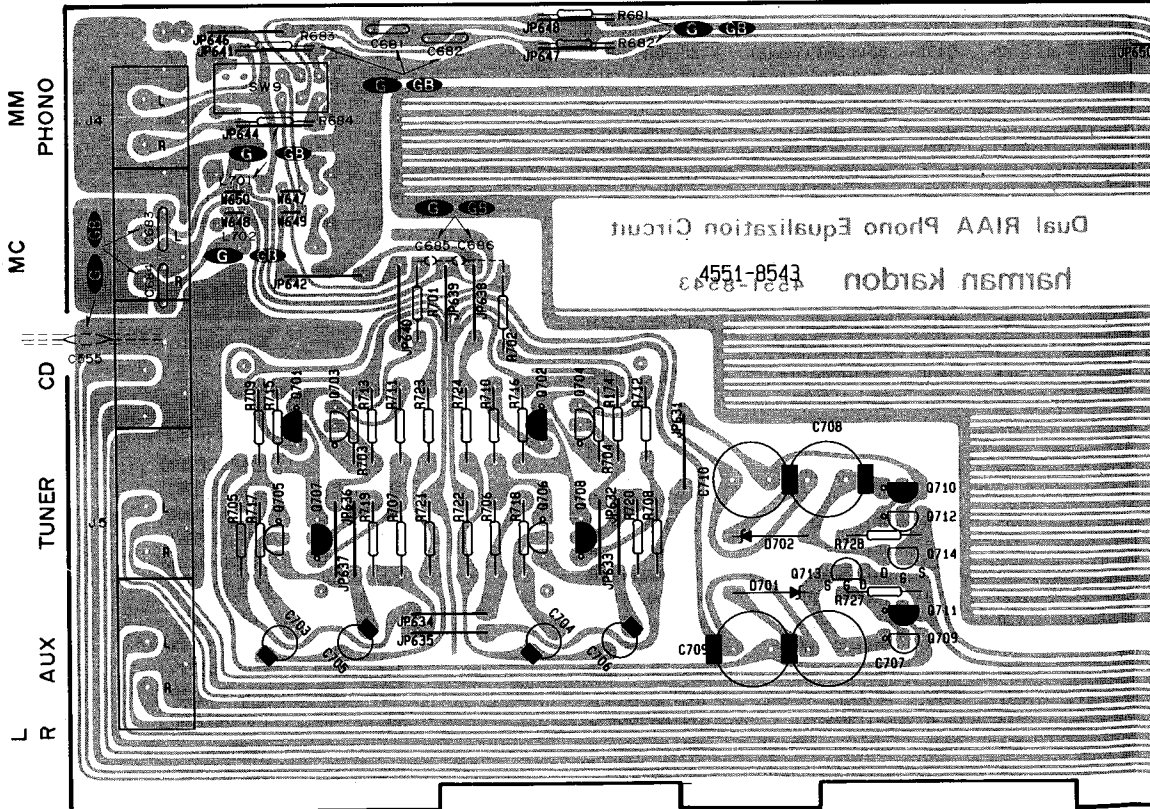


P. C. BOARDS

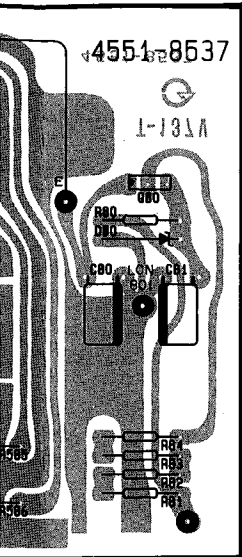
**PCB-10** Pin Jack P. C. Board



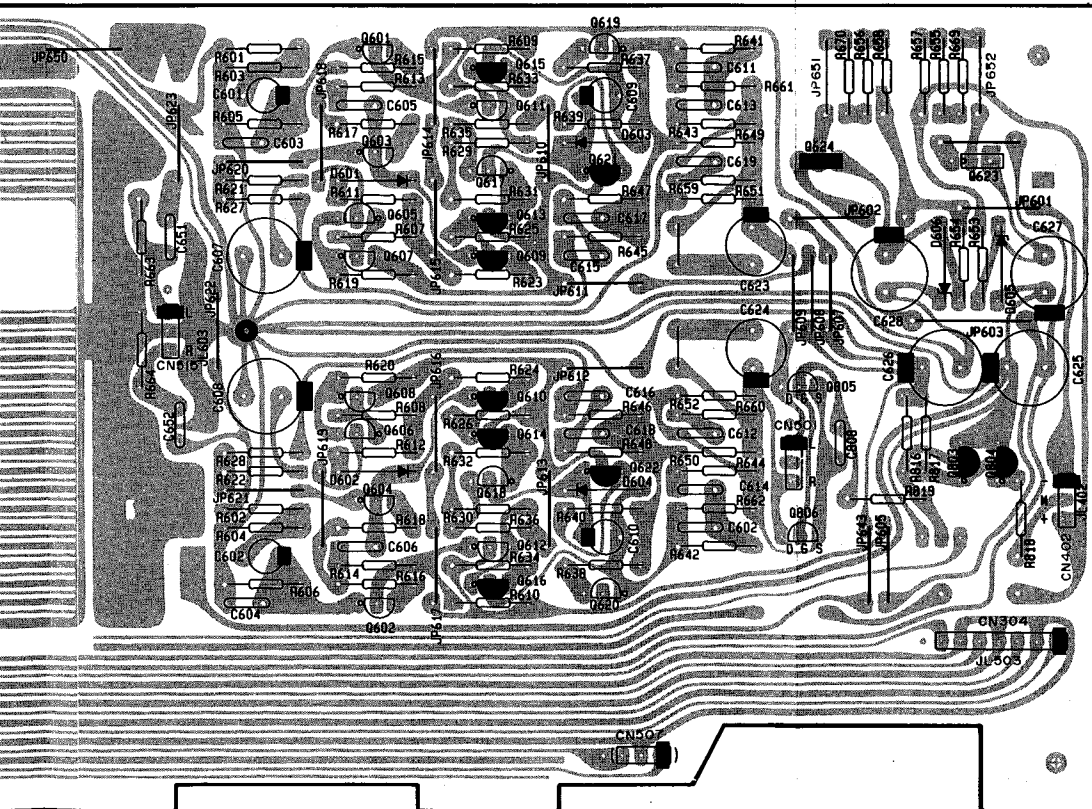
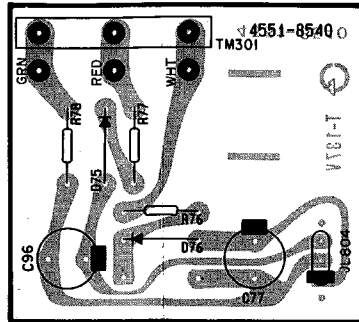
**PCB-11** Equalizer P. C. Board Cartridge




E F G H I J



PCB-12 4/8Ω P. C. Board



**ELECTRICAL PARTS LIST**

| Ser. No.                     | Ref. No. | Part No.      | Description  |
|------------------------------|----------|---------------|--|
| <b>PCB-1 MAIN P.C. BOARD</b> |          |               |  |
| <b>CAPACITORS</b>            |          |               |  |
| 864                          | C2       | 5352-1041957  | CAP, MTL .1μ   |
| 864                          | C3       | 5352-1041957  | CAP, MTL .1μ   |
| 864                          | C4       | 5352-1041957  | CAP, MTL .1μ   |
| 864                          | C5       | 5352-1041957  | CAP, MTL .1μ   |
| 870                          | ΔC6      | 5341-002GM688 | CAP, ELE 6800μ/63V   |
| 870                          | ΔC7      | 5341-002GM688 | CAP, ELE 6800μ/63V   |
| 870                          | ΔC8      | 5341-002GM688 | CAP, ELE 6800μ/63V   |
| 870                          | ΔC9      | 5341-002GM688 | CAP, ELE 6800μ/63V   |
| 841                          | C10      | 5345-475F0952 | CAP, MINI ELE 4.7μ/50V   |
| 842                          | C11      | 5345-336B0952 | CAP, MINI ELE 33μ/10V  |
| 843                          | C12      | 5354-334593   | CAP, MYL .33μ  |
| 843                          | C13      | 5354-334593   | CAP, MYL .33μ  |
| 846                          | C15      | 5353-330534   | CAP, MCA 33p   |
| 845                          | C25      | 5354-683J1HM  | CAP, MYL .068μ   |
| 845                          | C26      | 5354-683J1HM  | CAP, MYL .068μ   |
| 844                          | C31      | 5354-104593   | CAP, MYL .1μ   |
| 844                          | C32      | 5354-104593   | CAP, MYL .1μ   |
| 062B                         | C60      | 5352-1040962  | CAP, MTL .1μ  |
| 771                          | C401     | 5345-107B0951 | CAP, MINI ELE 100μ/10V   |
| 771                          | C402     | 5345-107B0951 | CAP, MINI ELE 100μ/10V   |
| 776                          | C403     | 5353-271534   | CAP, MCA 270p  |
| 776                          | C404     | 5353-271534   | CAP, MCA 270p  |
| 773                          | C405     | 5345-476D041  | CAP, MINI ELE 47μ/25V  |
| 773                          | C406     | 5345-476D041  | CAP, MINI ELE 47μ/25V  |
| 780                          | C407     | 5353-020934   | CAP, MCA 2p  |
| 780                          | C408     | 5353-020934   | CAP, MCA 2p  |
| 781                          | C409     | 5353-680534   | CAP, MCA 68p   |
| 781                          | C410     | 5353-680534   | CAP, MCA 68p   |
| 772                          | C411     | 5345-106C041  | CAP, MINI ELE 10μ/16V  |
| 772                          | C412     | 5345-106C041  | CAP, MINI ELE 10μ/16V  |
| 774                          | C413     | 5345-337G0962 | CAP, MINI ELE 330μ/63V   |
| 774                          | C414     | 5345-337G0962 | CAP, MINI ELE 330μ/63V   |
| 774                          | C415     | 5345-337G0962 | CAP, MINI ELE 330μ/63V   |
| 774                          | C416     | 5345-337G0962 | CAP, MINI ELE 330μ/63V   |
| 772                          | C417     | 5345-106C041  | CAP, MINI ELE 10μ/16V  |
| 772                          | C418     | 5345-106C041  | CAP, MINI ELE 10μ/16V  |
| 778                          | C419     | 5354-683J1HM  | CAP, MYL .068μ   |
| 778                          | C420     | 5354-683J1HM  | CAP, MYL .068μ   |
| 778                          | C421     | 5354-683J1HM  | CAP, MYL .068μ   |
| 778                          | C422     | 5354-683J1HM  | CAP, MYL .068μ   |
| <b>RESISTORS</b>             |          |               |  |
| 851                          | R2       | 5134-103J25P  | RES, CBN 1/4P 10K  |
| 858                          | R3       | 5134-472J25P  | RES, CBN 1/4P 4.7K   |
| 855                          | R4       | 5134-473J25P  | RES, CBN 1/4P 47K  |
| 854                          | R5       | 5134-334J25P  | RES, CBN 1/4P 330K   |
| 852                          | R6       | 5134-684J25P  | RES, CBN 1/4P 680K   |
| 857                          | R7       | 5134-184J25P  | RES, CBN 1/4P 180K   |
| 853                          | R8       | 5134-225J25P  | RES, CBN 1/4P 2.2M   |
| 850                          | R9       | 5134-104J25P  | RES, CBN 1/4P 100K   |
| 850                          | R10      | 5134-104J25P  | RES, CBN 1/4P 100K   |
| 851                          | R11      | 5134-103J25P  | RES, CBN 1/4P 10K  |
| 850                          | R12      | 5134-104J25P  | RES, CBN 1/4P 100K   |
| 855                          | R13      | 5134-473J25P  | RES, CBN 1/4P 47K  |
| 856                          | R14      | 5134-223J25P  | RES, CBN 1/4P 22K  |
| 856                          | R15      | 5134-223J25P  | RES, CBN 1/4P 22K  |
| 855                          | R16      | 5134-473J25P  | RES, CBN 1/4P 47K  |
| 851                          | R17      | 5134-103J25P  | RES, CBN 1/4P 10K  |
| 856                          | R18      | 5134-223J25P  | RES, CBN 1/4P 22K  |
| 850                          | R25      | 5134-104J25P  | RES, CBN 1/4P 100K   |
| 855                          | R26      | 5134-473J25P  | RES, CBN 1/4P 47K  |
| 858                          | R27      | 5134-472J25P  | RES, CBN 1/4P 4.7K   |
| 858                          | R28      | 5134-472J25P  | RES, CBN 1/4P 4.7K   |
| 858                          | R29      | 5134-472J25P  | RES, CBN 1/4P 4.7K   |
| 858                          | R30      | 5134-472J25P  | RES, CBN 1/4P 4.7K   |
| 858                          | R31      | 5134-472J25P  | RES, CBN 1/4P 4.7K   |
| 858                          | R32      | 5134-472J25P  | RES, CBN 1/4P 4.7K   |
| 856                          | R33      | 5134-223J25P  | RES, CBN 1/4P 22K  |
| 856                          | R34      | 5134-223J25P  | RES, CBN 1/4P 22K  |
| 847                          | R35      | 5134-332J25P  | RES, CBN 1/4P 3.3K   |

| Ser. No. | Ref. No. | Part No.     | Description        |
|----------|----------|--------------|--------------------|
| 847      | R36      | 5134-332J25P | RES, CBN 1/4P 3.3K |
| 849      | R37      | 5134-105J25P | RES, CBN 1/4P 1M   |
| 849      | R38      | 5134-105J25P | RES, CBN 1/4P 1M   |
| 848      | R39      | 5134-332J25P | RES, CBN 1/4P 3.3K |
| 856      | R41      | 5134-223J25P | RES, CBN 1/4P 22K  |
| 856      | R42      | 5134-223J25P | RES, CBN 1/4P 22K  |
| 856      | R45      | 5134-223J25P | RES, CBN 1/4P 22K  |
| 856      | R46      | 5134-223J25P | RES, CBN 1/4P 22K  |
| 808      | R401     | 5134-102J25P | RES, CBN 1/4P 1K   |
| 808      | R402     | 5134-102J25P | RES, CBN 1/4P 1K   |
| 809      | R403     | 5134-223J25P | RES, CBN 1/4P 22K  |
| 809      | R404     | 5134-223J25P | RES, CBN 1/4P 22K  |
| 810      | R405     | 5134-683J25P | RES, CBN 1/4P 68K  |
| 810      | R406     | 5134-683J25P | RES, CBN 1/4P 68K  |
| 811      | R407     | 5134-122J25P | RES, CBN 1/4P 1.2K |
| 811      | R408     | 5134-122J25P | RES, CBN 1/4P 1.2K |
| 811      | R409     | 5134-122J25P | RES, CBN 1/4P 1.2K |
| 811      | R410     | 5134-122J25P | RES, CBN 1/4P 1.2K |
| 812      | R411     | 5134-181J25P | RES, CBN 1/4P 180  |
| 812      | R412     | 5134-181J25P | RES, CBN 1/4P 180  |
| 812      | R413     | 5134-181J25P | RES, CBN 1/4P 180  |
| 812      | R414     | 5134-181J25P | RES, CBN 1/4P 180  |
| 813      | R415     | 5134-562J25P | RES, CBN 1/4P 5.6K |
| 813      | R416     | 5134-562J25P | RES, CBN 1/4P 5.6K |
| 814      | R417     | 5134-331J25P | RES, CBN 1/4P 330  |
| 814      | R418     | 5134-331J25P | RES, CBN 1/4P 330  |
| 815      | R419     | 5134-393J25P | RES, CBN 1/4P 39K  |
| 815      | R420     | 5134-393J25P | RES, CBN 1/4P 39K  |
| 816      | R421     | 5134-473J25P | RES, CBN 1/4P 47K  |
| 816      | R422     | 5134-473J25P | RES, CBN 1/4P 47K  |
| 802      | R423     | 5174-471381  | RES, MTL 1/4 470   |
| 802      | R424     | 5174-471381  | RES, MTL 1/4 470   |
| 801      | R425     | 5174-220381  | RES, MTL 1/4 22    |
| 801      | R426     | 5174-220381  | RES, MTL 1/4 22    |
| 797      | ΔR427    | 5102-5614713 | RES, FUSE 560      |
| 797      | ΔR428    | 5102-5614713 | RES, FUSE 560      |
| 797      | ΔR429    | 5102-5614713 | RES, FUSE 560      |
| 797      | ΔR430    | 5102-5614713 | RES, FUSE 560      |
| 813      | R431     | 5134-562J25P | RES, CBN 1/4P 5.6K |
| 813      | R432     | 5134-562J25P | RES, CBN 1/4P 5.6K |
| 803      | R433     | 5174-243381  | RES, MTL 1/4 24K   |
| 803      | R434     | 5174-243381  | RES, MTL 1/4 24K   |
| 818      | R435     | 5134-123J25P | RES, CBN 1/4P 12K  |
| 818      | R436     | 5134-123J25P | RES, CBN 1/4P 12K  |
| 818      | R437     | 5134-123J25P | RES, CBN 1/4P 12K  |
| 818      | R438     | 5134-123J25P | RES, CBN 1/4P 12K  |
| 817      | R439     | 5134-222J25P | RES, CBN 1/4P 2.2K |
| 817      | R440     | 5134-222J25P | RES, CBN 1/4P 2.2K |
| 817      | R441     | 5134-222J25P | RES, CBN 1/4P 2.2K |
| 817      | R442     | 5134-222J25P | RES, CBN 1/4P 2.2K |
| 795      | ΔR443    | 5102-1514713 | RES, FUSE 150      |
| 795      | ΔR444    | 5102-1514713 | RES, FUSE 150      |
| 795      | ΔR445    | 5102-1514713 | RES, FUSE 150      |
| 795      | ΔR446    | 5102-1514713 | RES, FUSE 150      |
| 804      | R447     | 5174-123381  | RES, MTL 1/4 12K   |
| 804      | R448     | 5174-123381  | RES, MTL 1/4 12K   |
| 804      | R449     | 5174-123381  | RES, MTL 1/4 12K   |
| 804      | R450     | 5174-123381  | RES, MTL 1/4 12K   |
| 795      | ΔR451    | 5102-1514713 | RES, FUSE 150      |
| 795      | ΔR452    | 5102-1514713 | RES, FUSE 150      |
| 795      | ΔR453    | 5102-1514713 | RES, FUSE 150      |
| 795      | ΔR454    | 5102-1514713 | RES, FUSE 150      |
| 819      | R455     | 5134-561J25P | RES, CBN 1/4P 560  |
| 819      | R456     | 5134-561J25P | RES, CBN 1/4P 560  |
| 820      | R457     | 5134-471J25P | RES, CBN 1/4P 470  |
| 820      | R458     | 5134-471J25P | RES, CBN 1/4P 470  |
| 807      | R459     | 5134-131J25P | RES, CBN 1/4P 130  |
| 807      | R460     | 5134-131J25P | RES, CBN 1/4P 130  |
| 794      | ΔR461    | 5102-2205711 | RES, FUSE 22       |
| 794      | ΔR462    | 5102-2205711 | RES, FUSE 22       |
| 794      | ΔR463    | 5102-2205711 | RES, FUSE 22       |
| 794      | ΔR464    | 5102-2205711 | RES, FUSE 22       |
| 796      | ΔR465    | 5102-1014713 | RES, FUSE 100      |

| Ser. No.           | Ref. No. | Part No.             | Description       |
|--------------------|----------|----------------------|-------------------|
| 796                | ΔR466    | 5102-1014713         | RES, FUSE 100     |
| 796                | ΔR467    | 5102-1014713         | RES, FUSE 100     |
| 796                | ΔR468    | 5102-1014713         | RES, FUSE 100     |
| 798                | ΔR469    | 5102-2R2579          | RES, FUSE 2.2     |
| 798                | ΔR470    | 5102-2R2579          | RES, FUSE 2.2     |
| 798                | ΔR471    | 5102-2R2579          | RES, FUSE 2.2     |
| 798                | ΔR472    | 5102-2R2579          | RES, FUSE 2.2     |
| 821                | R473     | 5134-150J25P         | RES, CBN 1/4P 15  |
| 821                | R474     | 5134-150J25P         | RES, CBN 1/4P 15  |
| 821                | R475     | 5134-150J25P         | RES, CBN 1/4P 15  |
| 821                | R476     | 5134-150J25P         | RES, CBN 1/4P 15  |
| 822                | R477     | 5134-100J25P         | RES, CBN 1/4P 10  |
| 822                | R478     | 5134-100J25P         | RES, CBN 1/4P 10  |
| 822                | R479     | 5134-100J25P         | RES, CBN 1/4P 10  |
| 822                | R480     | 5134-100J25P         | RES, CBN 1/4P 10  |
| 823                | ΔR481    | 5102-6804713         | RES, FUSE 68      |
| 823                | ΔR482    | 5102-6804713         | RES, FUSE 68      |
| 785                | R483     | 5275-R27671          | RES, CEM 5P .27   |
| 785                | R484     | 5275-R27671          | RES, CEM 5P .27   |
| 785                | R485     | 5275-R27671          | RES, CEM 5P .27   |
| 785                | R486     | 5275-R27671          | RES, CEM 5P .27   |
| 786                | R487     | 5175-150571          | RES, MTL 3 15     |
| 786                | R488     | 5175-150571          | RES, MTL 3 15     |
| 787                | R489     | 5171-220572          | RES, MTL 1 22     |
| 787                | R490     | 5171-220572          | RES, MTL 1 22     |
| 806                | R495     | 5134-223J25P         | RES, CBN 1/4P 22K |
| 806                | R496     | 5134-223J25P         | RES, CBN 1/4P 22K |
| <b>TRANSISTORS</b> |          |                      |                   |
| 831                | Q1       | 5613-2603(E)or(F)    | XISTOR, NPN R     |
| 832                | Q2       | 5611-1115(E)or(F)    | XISTOR, PNP R     |
| 831                | Q3       | 5613-2603(E)or(F)    | XISTOR, NPN R     |
| 832                | Q4       | 5611-1115(E)or(F)    | XISTOR, PNP R     |
| 832                | Q7       | 5611-1115(E)or(F)    | XISTOR, PNP R     |
| 833                | Q8       | 5613-1845(E)or(F)    | XISTOR, NPN R     |
| 834                | Q9       | 5611-970(BL)         | XISTOR, PNP R     |
| 834                | Q10      | 5611-970(BL)         | XISTOR, PNP R     |
| 835                | Q401     | 5616-2SK364(V)or(BL) | FET, N-CH         |
| 835                | Q402     | 5616-2SK364(V)or(BL) | FET, N-CH         |
| 741                | Q403     | 5613-2240(BL)        | XISTOR, NPN R     |
| 741                | Q404     | 5613-2240(BL)        | XISTOR, NPN R     |
| 741                | Q405     | 5613-2240(BL)        | XISTOR, NPN R     |
| 741                | Q406     | 5613-2240(BL)        | XISTOR, NPN R     |
| 745                | Q407     | 5613-2603(F)or(E)    | XISTOR, NPN R     |
| 745                | Q408     | 5613-2603(F)or(E)    | XISTOR, NPN R     |
| 745                | Q409     | 5613-2603(F)or(E)    | XISTOR, NPN R     |
| 745                | Q410     | 5613-2603(F)or(E)    | XISTOR, NPN R     |
| 747                | Q411     | 5611-1145(O)or(Y)    | XISTOR, PNP R     |
| 747                | Q412     | 5613-2240(BL)        | XISTOR, NPN R     |
| 744                | Q414     | 5613-2240(BL)        | XISTOR, NPN R     |
| 742                | Q415     | 5611-970(BL)         | XISTOR, PNP R     |
| 742                | Q416     | 5611-970(BL)         | XISTOR, PNP R     |
| 743                | Q417     | 5611-992(E)          | XISTOR, PNP R     |
| 743                | Q418     | 5611-992(E)          | XISTOR, PNP R     |
| 744                | Q419     | 5613-2240(BL)        | XISTOR, NPN R     |
| 744                | Q420     | 5613-2240(BL)        | XISTOR, NPN R     |
| 765                | Q421     | 5611-1285(F)         | XISTOR, PNP R     |
| 765                | Q422     | 5611-1285(F)         | XISTOR, PNP R     |
| 746                | Q423     | 5613-3245(F)         | XISTOR, NPN R     |
| 746                | Q424     | 5613-3245(F)         | XISTOR, NPN R     |
| 765                | Q425     | 5611-1285(F)         | XISTOR, PNP R     |
| 765                | Q42      |                      |                   |



## ELECTRICAL PARTS LIST

| Ser. No.                     | Ref. No.    | Part No.      | Description                   | Ser. No. | Ref. No.      | Part No.     | Description        |
|------------------------------|-------------|---------------|-------------------------------|----------|---------------|--------------|--------------------|
| <b>PCB-1 MAIN P.C. BOARD</b> |             |               |                               |          |               |              |                    |
| <b>CAPACITORS</b>            |             |               |                               |          |               |              |                    |
| 864                          | C2          | 5352-1041957  | CAP, MTL .1 $\mu$             | 847      | R36           | 5134-332J25P | RES, CBN 1/4P 3.3K |
| 864                          | C3          | 5352-1041957  | CAP, MTL .1 $\mu$             | 849      | R37           | 5134-105J25P | RES, CBN 1/4P 1M   |
| 864                          | C4          | 5352-1041957  | CAP, MTL .1 $\mu$             | 849      | R38           | 5134-105J25P | RES, CBN 1/4P 1M   |
| 864                          | C5          | 5352-1041957  | CAP, MTL .1 $\mu$             | 848      | R39           | 5134-332J25P | RES, CBN 1/4P 3.3K |
| 870                          | $\Delta$ C6 | 5341-002GM688 | CAP, ELE 6800 $\mu$ /63V      | 856      | R41           | 5134-223J25P | RES, CBN 1/4P 22K  |
| 870                          | $\Delta$ C7 | 5341-002GM688 | CAP, ELE 6800 $\mu$ /63V      | 856      | R42           | 5134-223J25P | RES, CBN 1/4P 22K  |
| 870                          | $\Delta$ C8 | 5341-002GM688 | CAP, ELE 6800 $\mu$ /63V      | 856      | R45           | 5134-223J25P | RES, CBN 1/4P 22K  |
| 870                          | $\Delta$ C9 | 5341-002GM688 | CAP, ELE 6800 $\mu$ /63V      | 856      | R46           | 5134-223J25P | RES, CBN 1/4P 22K  |
| 841                          | C10         | 5345-475F0952 | CAP, MINI ELE 4.7 $\mu$ /50V  | 808      | R401          | 5134-102J25P | RES, CBN 1/4P 1K   |
| 842                          | C11         | 5345-336B0952 | CAP, MINI ELE 33 $\mu$ /10V   | 808      | R402          | 5134-102J25P | RES, CBN 1/4P 1K   |
| 843                          | C12         | 5354-334593   | CAP, MYL .33 $\mu$            | 809      | R403          | 5134-223J25P | RES, CBN 1/4P 22K  |
| 843                          | C13         | 5354-334593   | CAP, MYL .33 $\mu$            | 809      | R404          | 5134-223J25P | RES, CBN 1/4P 22K  |
| 846                          | C15         | 5353-330534   | CAP, MCA 33p                  | 810      | R405          | 5134-683J25P | RES, CBN 1/4P 68K  |
| 845                          | C25         | 5354-683J1HM  | CAP, MYL .068 $\mu$           | 810      | R406          | 5134-683J25P | RES, CBN 1/4P 68K  |
| 845                          | C26         | 5354-683J1HM  | CAP, MYL .068 $\mu$           | 811      | R407          | 5134-122J25P | RES, CBN 1/4P 1.2K |
| 844                          | C31         | 5354-104593   | CAP, MYL .1 $\mu$             | 811      | R408          | 5134-122J25P | RES, CBN 1/4P 1.2K |
| 844                          | C32         | 5354-104593   | CAP, MYL .1 $\mu$             | 811      | R409          | 5134-122J25P | RES, CBN 1/4P 1.2K |
| 062B                         | C60         | 5352-1040962  | CAP, MTL .1 $\mu$ <b>G GB</b> | 811      | R410          | 5134-122J25P | RES, CBN 1/4P 1.2K |
| 771                          | C401        | 5345-107B0951 | CAP, MINI ELE 100 $\mu$ /10V  | 812      | R411          | 5134-181J25P | RES, CBN 1/4P 180  |
| 771                          | C402        | 5345-107B0951 | CAP, MINI ELE 100 $\mu$ /10V  | 812      | R412          | 5134-181J25P | RES, CBN 1/4P 180  |
| 776                          | C403        | 5353-271534   | CAP, MCA 270p                 | 812      | R413          | 5134-181J25P | RES, CBN 1/4P 180  |
| 776                          | C404        | 5353-271534   | CAP, MCA 270p                 | 812      | R414          | 5134-181J25P | RES, CBN 1/4P 180  |
| 773                          | C405        | 5345-476D041  | CAP, MINI ELE 47 $\mu$ /25V   | 813      | R415          | 5134-562J25P | RES, CBN 1/4P 5.6K |
| 773                          | C406        | 5345-476D041  | CAP, MINI ELE 47 $\mu$ /25V   | 813      | R416          | 5134-562J25P | RES, CBN 1/4P 5.6K |
| 780                          | C407        | 5353-020934   | CAP, MCA 2p                   | 814      | R417          | 5134-331J25P | RES, CBN 1/4P 330  |
| 780                          | C408        | 5353-020934   | CAP, MCA 2p                   | 814      | R418          | 5134-331J25P | RES, CBN 1/4P 330  |
| 781                          | C409        | 5353-680534   | CAP, MCA 68p                  | 815      | R419          | 5134-393J25P | RES, CBN 1/4P 39K  |
| 781                          | C410        | 5353-680534   | CAP, MCA 68p                  | 815      | R420          | 5134-393J25P | RES, CBN 1/4P 39K  |
| 772                          | C411        | 5345-106C041  | CAP, MINI ELE 10 $\mu$ /16V   | 816      | R421          | 5134-473J25P | RES, CBN 1/4P 47K  |
| 772                          | C412        | 5345-106C041  | CAP, MINI ELE 10 $\mu$ /16V   | 816      | R422          | 5134-473J25P | RES, CBN 1/4P 47K  |
| 774                          | C413        | 5345-337G0962 | CAP, MINI ELE 330 $\mu$ /63V  | 802      | R423          | 5174-471381  | RES, MTL 1/4 470   |
| 774                          | C414        | 5345-337G0962 | CAP, MINI ELE 330 $\mu$ /63V  | 802      | R424          | 5174-471381  | RES, MTL 1/4 470   |
| 774                          | C415        | 5345-337G0962 | CAP, MINI ELE 330 $\mu$ /63V  | 801      | R425          | 5174-220381  | RES, MTL 1/4 22    |
| 774                          | C416        | 5345-337G0962 | CAP, MINI ELE 330 $\mu$ /63V  | 801      | R426          | 5174-220381  | RES, MTL 1/4 22    |
| 772                          | C417        | 5345-106C041  | CAP, MINI ELE 10 $\mu$ /16V   | 797      | $\Delta$ R427 | 5102-5614713 | RES, FUSE 560      |
| 772                          | C418        | 5345-106C041  | CAP, MINI ELE 10 $\mu$ /16V   | 797      | $\Delta$ R428 | 5102-5614713 | RES, FUSE 560      |
| 778                          | C419        | 5354-683J1HM  | CAP, MYL .068 $\mu$           | 797      | $\Delta$ R429 | 5102-5614713 | RES, FUSE 560      |
| 778                          | C420        | 5354-683J1HM  | CAP, MYL .068 $\mu$           | 797      | $\Delta$ R430 | 5102-5614713 | RES, FUSE 560      |
| 778                          | C421        | 5354-683J1HM  | CAP, MYL .068 $\mu$           | 813      | R431          | 5134-562J25P | RES, CBN 1/4P 5.6K |
| 778                          | C422        | 5354-683J1HM  | CAP, MYL .068 $\mu$           | 813      | R432          | 5134-562J25P | RES, CBN 1/4P 5.6K |
| <b>RESISTORS</b>             |             |               |                               |          |               |              |                    |
| 851                          | R2          | 5134-103J25P  | RES, CBN 1/4P 10K             | 803      | R433          | 5174-243381  | RES, MTL 1/4 24K   |
| 858                          | R3          | 5134-472J25P  | RES, CBN 1/4P 4.7K            | 803      | R434          | 5174-243381  | RES, MTL 1/4 24K   |
| 855                          | R4          | 5134-473J25P  | RES, CBN 1/4P 47K             | 818      | R435          | 5134-123J25P | RES, CBN 1/4P 12K  |
| 854                          | R5          | 5134-334J25P  | RES, CBN 1/4P 330K            | 818      | R436          | 5134-123J25P | RES, CBN 1/4P 12K  |
| 852                          | R6          | 5134-684J25P  | RES, CBN 1/4P 680K            | 818      | R437          | 5134-123J25P | RES, CBN 1/4P 12K  |
| 857                          | R7          | 5134-184J25P  | RES, CBN 1/4P 180K            | 818      | R438          | 5134-123J25P | RES, CBN 1/4P 12K  |
| 853                          | R8          | 5134-225J25P  | RES, CBN 1/4P 2.2M            | 817      | R439          | 5134-222J25P | RES, CBN 1/4P 2.2K |
| 850                          | R9          | 5134-104J25P  | RES, CBN 1/4P 100K            | 817      | R440          | 5134-222J25P | RES, CBN 1/4P 2.2K |
| 850                          | R10         | 5134-104J25P  | RES, CBN 1/4P 100K            | 817      | R441          | 5134-222J25P | RES, CBN 1/4P 2.2K |
| 851                          | R11         | 5134-103J25P  | RES, CBN 1/4P 10K             | 817      | R442          | 5134-222J25P | RES, CBN 1/4P 2.2K |
| 850                          | R12         | 5134-104J25P  | RES, CBN 1/4P 100K            | 795      | $\Delta$ R443 | 5102-1514713 | RES, FUSE 150      |
| 855                          | R13         | 5134-473J25P  | RES, CBN 1/4P 47K             | 795      | $\Delta$ R444 | 5102-1514713 | RES, FUSE 150      |
| 856                          | R14         | 5134-223J25P  | RES, CBN 1/4P 22K             | 795      | $\Delta$ R445 | 5102-1514713 | RES, FUSE 150      |
| 856                          | R15         | 5134-223J25P  | RES, CBN 1/4P 22K             | 795      | $\Delta$ R446 | 5102-1514713 | RES, FUSE 150      |
| 855                          | R16         | 5134-473J25P  | RES, CBN 1/4P 47K             | 804      | R447          | 5174-123381  | RES, MTL 1/4 12K   |
| 851                          | R17         | 5134-103J25P  | RES, CBN 1/4P 10K             | 804      | R448          | 5174-123381  | RES, MTL 1/4 12K   |
| 856                          | R18         | 5134-223J25P  | RES, CBN 1/4P 22K             | 804      | R449          | 5174-123381  | RES, MTL 1/4 12K   |
| 850                          | R25         | 5134-104J25P  | RES, CBN 1/4P 100K            | 804      | R450          | 5174-123381  | RES, MTL 1/4 12K   |
| 855                          | R26         | 5134-473J25P  | RES, CBN 1/4P 47K             | 795      | $\Delta$ R451 | 5102-1514713 | RES, FUSE 150      |
| 858                          | R27         | 5134-472J25P  | RES, CBN 1/4P 4.7K            | 795      | $\Delta$ R452 | 5102-1514713 | RES, FUSE 150      |
| 858                          | R28         | 5134-472J25P  | RES, CBN 1/4P 4.7K            | 795      | $\Delta$ R453 | 5102-1514713 | RES, FUSE 150      |
| 858                          | R29         | 5134-472J25P  | RES, CBN 1/4P 4.7K            | 795      | $\Delta$ R454 | 5102-1514713 | RES, FUSE 150      |
| 858                          | R30         | 5134-472J25P  | RES, CBN 1/4P 4.7K            | 819      | R455          | 5134-561J25P | RES, CBN 1/4P 560  |
| 858                          | R31         | 5134-472J25P  | RES, CBN 1/4P 4.7K            | 819      | R456          | 5134-561J25P | RES, CBN 1/4P 560  |
| 858                          | R32         | 5134-472J25P  | RES, CBN 1/4P 4.7K            | 820      | R457          | 5134-471J25P | RES, CBN 1/4P 470  |
| 856                          | R33         | 5134-223J25P  | RES, CBN 1/4P 22K             | 820      | R458          | 5134-471J25P | RES, CBN 1/4P 470  |
| 856                          | R34         | 5134-223J25P  | RES, CBN 1/4P 22K             | 807      | R459          | 5134-131J25P | RES, CBN 1/4P 130  |
| 847                          | R35         | 5134-332J25P  | RES, CBN 1/4P 3.3K            | 807      | R460          | 5134-131J25P | RES, CBN 1/4P 130  |
|                              |             |               |                               | 794      | $\Delta$ R461 | 5102-2205711 | RES, FUSE 22       |
|                              |             |               |                               | 794      | $\Delta$ R462 | 5102-2205711 | RES, FUSE 22       |
|                              |             |               |                               | 794      | $\Delta$ R463 | 5102-2205711 | RES, FUSE 22       |
|                              |             |               |                               | 794      | $\Delta$ R464 | 5102-2205711 | RES, FUSE 22       |
|                              |             |               |                               | 796      | $\Delta$ R465 | 5102-1014713 | RES, FUSE 100      |

| Ser. No.           | Ref. No. | Part No.             | Description       |
|--------------------|----------|----------------------|-------------------|
| 796                | △R466    | 5102-1014713         | RES, FUSE 100     |
| 796                | △R467    | 5102-1014713         | RES, FUSE 100     |
| 796                | △R468    | 5102-1014713         | RES, FUSE 100     |
| 798                | △R469    | 5102-2R2579          | RES, FUSE 2.2     |
| 798                | △R470    | 5102-2R2579          | RES, FUSE 2.2     |
| 798                | △R471    | 5102-2R2579          | RES, FUSE 2.2     |
| 798                | △R472    | 5102-2R2579          | RES, FUSE 2.2     |
| 821                | R473     | 5134-150J25P         | RES, CBN 1/4P 15  |
| 821                | R474     | 5134-150J25P         | RES, CBN 1/4P 15  |
| 821                | R475     | 5134-150J25P         | RES, CBN 1/4P 15  |
| 821                | R476     | 5134-150J25P         | RES, CBN 1/4P 15  |
| 822                | R477     | 5134-100J25P         | RES, CBN 1/4P 10  |
| 822                | R478     | 5134-100J25P         | RES, CBN 1/4P 10  |
| 822                | R479     | 5134-100J25P         | RES, CBN 1/4P 10  |
| 822                | R480     | 5134-100J25P         | RES, CBN 1/4P 10  |
| 823                | △R481    | 5102-6804713         | RES, FUSE 68      |
| 823                | △R482    | 5102-6804713         | RES, FUSE 68      |
| 785                | R483     | 5275-R27671          | RES, CEM 5P .27   |
| 785                | R484     | 5275-R27671          | RES, CEM 5P .27   |
| 785                | R485     | 5275-R27671          | RES, CEM 5P .27   |
| 785                | R486     | 5275-R27671          | RES, CEM 5P .27   |
| 786                | R487     | 5175-150571          | RES, MTL 3 15     |
| 786                | R488     | 5175-150571          | RES, MTL 3 15     |
| 787                | R489     | 5171-220572          | RES, MTL 1 22     |
| 787                | R490     | 5171-220572          | RES, MTL 1 22     |
| 806                | R495     | 5134-223J25P         | RES, CBN 1/4P 22K |
| 806                | R496     | 5134-223J25P         | RES, CBN 1/4P 22K |
| <b>TRANSISTORS</b> |          |                      |                   |
| 831                | Q1       | 5613-2603(E)or(F)    | XISTOR, NPN R     |
| 832                | Q2       | 5611-1115(E)or(F)    | XISTOR, PNP R     |
| 831                | Q3       | 5613-2603(E)or(F)    | XISTOR, NPN R     |
| 832                | Q4       | 5611-1115(E)or(F)    | XISTOR, PNP R     |
| 832                | Q7       | 5611-1115(E)or(F)    | XISTOR, PNP R     |
| 833                | Q8       | 5613-1845(E)or(F)    | XISTOR, NPN R     |
| 834                | Q9       | 5611-970(BL)         | XISTOR, PNP R     |
| 834                | Q10      | 5611-970(BL)         | XISTOR, PNP R     |
| 835                | Q401     | 5616-2SK364(V)or(BL) | FET, N-CH         |
| 835                | Q402     | 5616-2SK364(V)or(BL) | FET, N-CH         |
| 741                | Q403     | 5613-2240(BL)        | XISTOR, NPN R     |
| 741                | Q404     | 5613-2240(BL)        | XISTOR, NPN R     |
| 741                | Q405     | 5613-2240(BL)        | XISTOR, NPN R     |
| 741                | Q406     | 5613-2240(BL)        | XISTOR, NPN R     |
| 745                | Q407     | 5613-2603(F)or(E)    | XISTOR, NPN R     |
| 745                | Q408     | 5613-2603(F)or(E)    | XISTOR, NPN R     |
| 745                | Q409     | 5613-2603(F)or(E)    | XISTOR, NPN R     |
| 745                | Q410     | 5613-2603(F)or(E)    | XISTOR, NPN R     |
| 747                | Q411     | 5611-1145(O)or(Y)    | XISTOR, PNP R     |
| 747                | Q412     | 5611-1145(O)or(Y)    | XISTOR, PNP R     |
| 744                | Q413     | 5613-2240(BL)        | XISTOR, NPN R     |
| 744                | Q414     | 5613-2240(BL)        | XISTOR, NPN R     |
| 742                | Q415     | 5611-970(BL)         | XISTOR, PNP R     |
| 742                | Q416     | 5611-970(BL)         | XISTOR, PNP R     |
| 743                | Q417     | 5611-992(E)          | XISTOR, PNP R     |
| 743                | Q418     | 5611-992(E)          | XISTOR, PNP R     |
| 744                | Q419     | 5613-2240(BL)        | XISTOR, NPN R     |
| 744                | Q420     | 5613-2240(BL)        | XISTOR, NPN R     |
| 765                | Q421     | 5611-1285(F)         | XISTOR, PNP R     |
| 765                | Q422     | 5611-1285(F)         | XISTOR, PNP R     |
| 746                | Q423     | 5613-3245(F)         | XISTOR, NPN R     |
| 746                | Q424     | 5613-3245(F)         | XISTOR, NPN R     |
| 765                | Q425     | 5611-1285(F)         | XISTOR, PNP R     |
| 765                | Q426     | 5611-1285(F)         | XISTOR, PNP R     |
| 746                | Q427     | 5613-3245(F)         | XISTOR, NPN R     |
| 746                | Q428     | 5613-3245(F)         | XISTOR, NPN R     |
| 750                | Q429     | 5613-945(P)          | XISTOR, NPN R     |
| 750                | Q430     | 5613-945(P)          | XISTOR, NPN R     |
| 748                | Q433     | 5613-2235(Y)         | XISTOR, NPN R     |
| 748                | Q434     | 5613-2235(Y)         | XISTOR, NPN R     |
| 749                | Q435     | 5611-965(Y)          | XISTOR, PNP R     |
| 749                | Q436     | 5611-965(Y)          | XISTOR, PNP R     |
| 754                | Q437     | 5611-1111(Q)or(R)    | XISTOR, PNP R     |
| 754                | Q438     | 5611-1111(Q)or(R)    | XISTOR, PNP R     |
| 751                | Q439     | 5613-2591(Q)or(R)    | XISTOR, NPN R     |

| Ser. No. | Ref. No. | Part No.          | Description   |
|----------|----------|-------------------|---------------|
| 751      | Q440     | 5613-2591(Q)or(R) | XISTOR, NPN R |
| 757      | Q441     | 5613-3281(O)or(R) | XISTOR, NPN R |
| 757      | Q442     | 5613-3281(O)or(R) | XISTOR, NPN R |
| 759      | Q443     | 5611-1302(O)or(R) | XISTOR, PNP R |
| 759      | Q444     | 5611-1302(O)or(R) | XISTOR, PNP R |
| 742      | Q445     | 5611-970(BL)      | XISTOR, PNP R |
| 742      | Q446     | 5611-970(BL)      | XISTOR, PNP R |

**DIODES**

|     |      |               |               |
|-----|------|---------------|---------------|
| 869 | △D1  | 5685-D5FB20F1 | SILICON, BRIG |
| 869 | △D2  | 5685-D5FB20F1 | SILICON, BRIG |
| 838 | D3   | 5636-1S2471   | DIODE, SWITCH |
| 837 | D4   | 5635-HZ6A-2L  | DIODE, ZENER  |
| 839 | D5   | 5631-1S2473   | DIODE, DET    |
| 762 | D401 | 5631-1S2473   | DIODE, DET    |
| 762 | D402 | 5631-1S2473   | DIODE, DET    |
| 763 | D403 | 5635-HZ15-1L  | DIODE, ZENER  |
| 763 | D404 | 5635-HZ15-1L  | DIODE, ZENER  |
| 764 | D405 | 5632-10DF2    | DIODE, RECT   |
| 764 | D406 | 5632-10DF2    | DIODE, RECT   |
| 764 | D407 | 5632-10DF2    | DIODE, RECT   |
| 764 | D408 | 5632-10DF2    | DIODE, RECT   |
| 761 | D409 | 5641-MV12YM   | VARIATOR      |
| 761 | D410 | 5641-MV12YM   | VARIATOR      |

**COILS**

|     |    |            |             |
|-----|----|------------|-------------|
| 768 | L1 | 5597-35502 | CORE, BEADS |
| 768 | L2 | 5597-35502 | CORE, BEADS |
| 768 | L3 | 5597-35502 | CORE, BEADS |
| 768 | L4 | 5597-35502 | CORE, BEADS |
| 767 | L5 | 5991-7165  | SPRING COIL |
| 767 | L6 | 5991-7165  | SPRING COIL |

**CONTROLS**

|     |       |               |                   |
|-----|-------|---------------|-------------------|
| 791 | VR401 | 5101-50371920 | RES, SEMI FIX 50K |
| 791 | VR402 | 5101-50371920 | RES, SEMI FIX 50K |
| 792 | VR403 | 5101-30171920 | RES, SEMI FIX 300 |
| 792 | VR404 | 5101-30171920 | RES, SEMI FIX 300 |

**MISCELLANEOUS**

|     |        |               |               |
|-----|--------|---------------|---------------|
| 826 | LCN511 | 4163-0115024  | CONNECTOR W/W |
| 827 | LCN512 | 4163-0120025  | CONNECTOR W/W |
| 828 | LCN513 | 4163-0137026  | CONNECTOR W/W |
| 829 | LCN514 | 4163-0143027  | CONNECTOR W/W |
| 825 | LCN515 | 4163-0111024  | CONNECTOR W/W |
| 825 | LCN516 | 4163-0111024  | CONNECTOR W/W |
| 943 | CN103  | 4443-040185   | CONNECTOR     |
| 982 | JL402  | 4242-R0203351 | JUMPER LEAD   |
| 948 | TM101  | 4214-11021    | TERMINAL      |
| 949 | TM102  | 4214-11031    | TERMINAL      |
| 950 | TM103  | 4214-11013    | TERMINAL      |
| 950 | TM107  | 4214-11013    | TERMINAL      |

**PCB-2 HEADPHONE P.C. BOARD**

|     |    |            |          |
|-----|----|------------|----------|
| 916 | J1 | 4451-00159 | JACK, 1P |
|-----|----|------------|----------|

**PCB-3 FUSE P.C. BOARD**

| <b>CAPACITORS</b> |     |               |                                |
|-------------------|-----|---------------|--------------------------------|
| 863               | △C1 | 5352-1030959  | CAP, MTL .01μ <b>UA BK</b>     |
| 863B              | △C1 | 5352-1030958  | CAP, MTL .01μ <b>G GB</b>      |
| 863D              | △C1 | 5352-1030961  | CAP, MTL .01μ <b>N</b>         |
| 876               | C51 | 5345-107G0962 | CAP, MINI ELE 100μ/63V         |
| 877               | C52 | 5345-107C041  | CAP, MINI ELE 100μ/16V         |
| <b>RESISTORS</b>  |     |               |                                |
| 042B              | △R1 | 5135-335J50P  | RES, CBN 1/2P 3.3M <b>G GB</b> |
| 879               | R51 | 5173-102571   | RES, MTL 2 1K                  |
| 881               | R53 | 5134-562J25P  | RES, CBN 1/4P 5.6K             |
| 880               | R54 | 5135-181J50P  | RES, CBN 1/2P 180              |
| <b>DIODES</b>     |     |               |                                |
| 873               | D6  | 5632-DS135E   | DIODE, RECT                    |
| 873               | D7  | 5632-DS135E   | DIODE, RECT                    |

| Ser. No.                       | Ref. No. | Part No.      | Description                 | Ser. No.         | Ref. No. | Part No.      | Description            |
|--------------------------------|----------|---------------|-----------------------------|------------------|----------|---------------|------------------------|
| 874                            | D8       | 5635-HZ6A-2L  | DIODE, ZENER                | 624              | C912     | 5345-227D041  | CAP, MINI ELE 220μ/25V |
| <b>MISCELLANEOUS</b>           |          |               |                             | <b>RESISTORS</b> |          |               |                        |
| 945                            | CN202    | 4443-030185   | CONNECTOR                   | 736              | R43      | 5134-822J25P  | RES, CBN 1/4P 8.2K     |
| 868                            | ΔHL1     | 4472-7113     | HOLDER, FUSE <b>UA BK N</b> | 736              | R44      | 5134-822J25P  | RES, CBN 1/4P 8.2K     |
| 868B                           | ΔHL1     | 4472-7122     | HOLDER, FUSE <b>G GB</b>    | 732              | ΔR47     | 5102-1014715  | RES, FUSE 100          |
| 868                            | ΔHL2     | 4472-7113     | HOLDER, FUSE <b>UA BK N</b> | 732              | ΔR48     | 5102-1014715  | RES, FUSE 100          |
| 868B                           | ΔHL2     | 4472-7122     | HOLDER, FUSE <b>G GB</b>    | 734              | R49      | 5176-S010J151 | RES, MTL 1/2 150       |
| 868                            | ΔHL3     | 4472-7113     | HOLDER, FUSE                | 734              | R50      | 5176-S010J151 | RES, MTL 1/2 150       |
| 868                            | ΔHL4     | 4472-7113     | HOLDER, FUSE                | 734              | R52      | 5176-S010J151 | RES, MTL 1/2 150       |
| 868                            | ΔHL5     | 4472-7113     | HOLDER, FUSE                | 940              | R56      | 5134-681J25P  | RES, CBN 1/4P 680      |
| 868                            | ΔHL6     | 4472-7113     | HOLDER, FUSE                | 734              | R57      | 5176-S010J151 | RES, MTL 1/2 150       |
| 868                            | ΔHL7     | 4472-7113     | HOLDER, FUSE                | 734              | R58      | 5176-S010J151 | RES, MTL 1/2 150       |
| 868                            | ΔHL8     | 4472-7113     | HOLDER, FUSE                | 734              | R59      | 5176-S010J151 | RES, MTL 1/2 150       |
| 868                            | ΔHL9     | 4472-7113     | HOLDER, FUSE                | 733              | ΔR61     | 5102-3914715  | RES, FUSE 390          |
| 868                            | ΔHL10    | 4472-7113     | HOLDER, FUSE                | 733              | ΔR62     | 5102-3914715  | RES, FUSE 390          |
| 891                            | SW8      | 4431-01018158 | SWITCH, PUSH                | 735              | R63      | 5176-S010J561 | RES, MTL 1/2 560       |
| 928                            | TM202    | 4214-122      | TERMINAL <b>UA BK N</b>     | 735              | R64      | 5176-S010J561 | RES, MTL 1/2 560       |
| 928B                           | TM202    | 4214-122      | TERMINAL <b>G GB</b>        | 735              | R65      | 5176-S010J561 | RES, MTL 1/2 560       |
| 928                            | TM203    | 4214-122      | TERMINAL <b>UA BK N</b>     | 735              | R66      | 5176-S010J561 | RES, MTL 1/2 560       |
| 928B                           | TM203    | 4214-122      | TERMINAL <b>G GB</b>        | 737              | R69      | 5134-103J25P  | RES, CBN 1/4P 10K      |
| 928                            | TM204    | 4214-122      | TERMINAL                    | 737              | R70      | 5134-103J25P  | RES, CBN 1/4P 10K      |
| <b>PCB-4 SPEAKER P.C.BOARD</b> |          |               |                             | 738              | ΔR91     | 5102-1014713  | RES, FUSE 100          |
| <b>RESISTORS</b>               |          |               |                             | 738              | ΔR92     | 5102-1014713  | RES, FUSE 100          |
| 789                            | R493     | 5171-471572   | RES, MTL 1 470              | 681              | R501     | 5134-102J25P  | RES, CBN 1/4P 1K       |
| 789                            | R494     | 5171-471572   | RES, MTL 1 470              | 681              | R502     | 5134-102J25P  | RES, CBN 1/4P 1K       |
| <b>MISCELLANEOUS</b>           |          |               |                             | 683              | R505     | 5134-224J25P  | RES, CBN 1/4P 220K     |
| 927                            | TM901    | 4214-156      | TERMINAL                    | 683              | R506     | 5134-224J25P  | RES, CBN 1/4P 220K     |
| <b>PCB-5 TONE I P.C.BOARD</b>  |          |               |                             | 682              | R507     | 5134-394J25P  | RES, CBN 1/4P 390K     |
| <b>CAPACITORS</b>              |          |               |                             | 682              | R508     | 5134-394J25P  | RES, CBN 1/4P 390K     |
| 729                            | C17      | 5345-337D041  | CAP, MINI ELE 330μ/25V      | 700              | R511     | 5134-331J25P  | RES, CBN 1/4P 330      |
| 729                            | C18      | 5345-337D041  | CAP, MINI ELE 330μ/25V      | 700              | R512     | 5134-331J25P  | RES, CBN 1/4P 330      |
| 730                            | C21      | 5345-227D041  | CAP, MINI ELE 220μ/25V      | 684              | R519     | 5134-473J25P  | RES, CBN 1/4P 47K      |
| 730                            | C22      | 5345-227D041  | CAP, MINI ELE 220μ/25V      | 684              | R520     | 5134-473J25P  | RES, CBN 1/4P 47K      |
| 731                            | C61      | 5345-107C041  | CAP, MINI ELE 100μ/16V      | 685              | R521     | 5134-332J25P  | RES, CBN 1/4P 3.3K     |
| 731                            | C62      | 5345-107C041  | CAP, MINI ELE 100μ/16V      | 685              | R522     | 5134-332J25P  | RES, CBN 1/4P 3.3K     |
| 730                            | C63      | 5345-227D041  | CAP, MINI ELE 220μ/25V      | 685              | R523     | 5134-332J25P  | RES, CBN 1/4P 3.3K     |
| 730                            | C64      | 5345-227D041  | CAP, MINI ELE 220μ/25V      | 685              | R524     | 5134-332J25P  | RES, CBN 1/4P 3.3K     |
| 664                            | C501     | 5359-1015851  | CAP, PPP 100p               | 686              | R525     | 5134-471J25P  | RES, CBN 1/4P 470      |
| 664                            | C502     | 5359-1015851  | CAP, PPP 100p               | 686              | R526     | 5134-471J25P  | RES, CBN 1/4P 470      |
| 660                            | C507     | 5345-106C0951 | CAP, MINI ELE 10μ/16V       | 686              | R527     | 5134-471J25P  | RES, CBN 1/4P 470      |
| 660                            | C508     | 5345-106C0951 | CAP, MINI ELE 10μ/16V       | 686              | R528     | 5134-471J25P  | RES, CBN 1/4P 470      |
| 667                            | C511     | 5353-010934   | CAP, MCA 1p                 | 687              | R529     | 5134-331J25P  | RES, CBN 1/4P 330      |
| 667                            | C512     | 5353-010934   | CAP, MCA 1p                 | 687              | R530     | 5134-331J25P  | RES, CBN 1/4P 330      |
| 661                            | C513     | 5345-226D0951 | CAP, MINI ELE 22μ/25V       | 688              | R531     | 5134-222J25P  | RES, CBN 1/4P 2.2K     |
| 661                            | C514     | 5345-226D0951 | CAP, MINI ELE 22μ/25V       | 688              | R532     | 5134-222J25P  | RES, CBN 1/4P 2.2K     |
| 668                            | C515     | 5353-680534   | CAP, MCA 68p                | 688              | R533     | 5134-222J25P  | RES, CBN 1/4P 2.2K     |
| 668                            | C516     | 5353-680534   | CAP, MCA 68p                | 688              | R534     | 5134-222J25P  | RES, CBN 1/4P 2.2K     |
| 668                            | C517     | 5353-680534   | CAP, MCA 68p                | 689              | R535     | 5134-274J25P  | RES, CBN 1/4P 270K     |
| 668                            | C518     | 5353-680534   | CAP, MCA 68p                | 689              | R536     | 5134-274J25P  | RES, CBN 1/4P 270K     |
| 662                            | C519     | 5345-476C0951 | CAP, MINI ELE 47μ/16V       | 690              | R537     | 5134-153J25P  | RES, CBN 1/4P 15K      |
| 662                            | C520     | 5345-476C0951 | CAP, MINI ELE 47μ/16V       | 690              | R538     | 5134-153J25P  | RES, CBN 1/4P 15K      |
| 674                            | C533     | 5354-104593   | CAP, MYL .1μ                | 687              | R539     | 5134-331J25P  | RES, CBN 1/4P 330      |
| 674                            | C534     | 5354-104593   | CAP, MYL .1μ                | 687              | R540     | 5134-331J25P  | RES, CBN 1/4P 330      |
| 659                            | C543     | 5345-227D041  | CAP, MINI ELE 220μ/25V      | 687              | R541     | 5134-331J25P  | RES, CBN 1/4P 330      |
| 659                            | C544     | 5345-227D041  | CAP, MINI ELE 220μ/25V      | 687              | R542     | 5134-331J25P  | RES, CBN 1/4P 330      |
| 625                            | C901     | 5345-104F0951 | CAP, MINI ELE .1μ/50V       | 691              | R553     | 5134-121J25P  | RES, CBN 1/4P 120      |
| 625                            | C902     | 5345-104F0951 | CAP, MINI ELE .1μ/50V       | 691              | R554     | 5134-121J25P  | RES, CBN 1/4P 120      |
| 629                            | C903     | 5354-154593   | CAP, MYL .15μ               | 684              | R555     | 5134-473J25P  | RES, CBN 1/4P 47K      |
| 629                            | C904     | 5354-154593   | CAP, MYL .15μ               | 684              | R556     | 5134-473J25P  | RES, CBN 1/4P 47K      |
| 627                            | C905     | 5345-107D045  | CAP, MINI ELE 100μ/25V      | 688              | R561     | 5134-222J25P  | RES, CBN 1/4P 2.2K     |
| 627                            | C906     | 5345-107D045  | CAP, MINI ELE 100μ/25V      | 688              | R562     | 5134-222J25P  | RES, CBN 1/4P 2.2K     |
| 630                            | C907     | 5354-334593   | CAP, MYL .33μ               | 641              | R901     | 5134-102J25P  | RES, CBN 1/4P 1K       |
| 630                            | C908     | 5354-334593   | CAP, MYL .33μ               | 641              | R902     | 5134-102J25P  | RES, CBN 1/4P 1K       |
| 626                            | C909     | 5345-224F0951 | CAP, MINI ELE .22μ/50V      | 632              | R903     | 5134-684J25P  | RES, CBN 1/4P 680K     |
| 626                            | C910     | 5345-224F0951 | CAP, MINI ELE .22μ/50V      | 632              | R904     | 5134-684J25P  | RES, CBN 1/4P 680K     |
| 624                            | C911     | 5345-227D041  | CAP, MINI ELE 220μ/25V      | 633              | R905     | 5134-224J25P  | RES, CBN 1/4P 220K     |
|                                |          |               |                             | 633              | R906     | 5134-224J25P  | RES, CBN 1/4P 220K     |
|                                |          |               |                             | 634              | R907     | 5134-332J25P  | RES, CBN 1/4P 3.3K     |
|                                |          |               |                             | 634              | R908     | 5134-332J25P  | RES, CBN 1/4P 3.3K     |
|                                |          |               |                             | 634              | R909     | 5134-332J25P  | RES, CBN 1/4P 3.3K     |
|                                |          |               |                             | 634              | R910     | 5134-332J25P  | RES, CBN 1/4P 3.3K     |
|                                |          |               |                             | 635              | R911     | 5134-183J25P  | RES, CBN 1/4P 18K      |
|                                |          |               |                             | 635              | R912     | 5134-183J25P  | RES, CBN 1/4P 18K      |

| Ser. No. | Ref. No. | Part No.     | Description        |
|----------|----------|--------------|--------------------|
| 636      | R913     | 5134-472J25P | RES, CBN 1/4P 4.7K |
| 636      | R914     | 5134-472J25P | RES, CBN 1/4P 4.7K |
| 638      | R915     | 5134-562J25P | RES, CBN 1/4P 5.6K |
| 638      | R916     | 5134-562J25P | RES, CBN 1/4P 5.6K |
| 634      | R917     | 5134-332J25P | RES, CBN 1/4P 3.3K |
| 634      | R918     | 5134-332J25P | RES, CBN 1/4P 3.3K |
| 635      | R919     | 5134-183J25P | RES, CBN 1/4P 18K  |
| 635      | R920     | 5134-183J25P | RES, CBN 1/4P 18K  |
| 637      | R921     | 5134-331J25P | RES, CBN 1/4P 330  |
| 637      | R922     | 5134-331J25P | RES, CBN 1/4P 330  |
| 634      | R923     | 5134-332J25P | RES, CBN 1/4P 3.3K |
| 634      | R924     | 5134-332J25P | RES, CBN 1/4P 3.3K |
| 639      | R925     | 5134-221J25P | RES, CBN 1/4P 220  |
| 639      | R926     | 5134-221J25P | RES, CBN 1/4P 220  |
| 637      | R927     | 5134-331J25P | RES, CBN 1/4P 330  |
| 637      | R928     | 5134-331J25P | RES, CBN 1/4P 330  |
| 640      | R929     | 5134-104J25P | RES, CBN 1/4P 100K |
| 640      | R930     | 5134-104J25P | RES, CBN 1/4P 100K |

**TRANSISTORS**

|     |      |                   |               |
|-----|------|-------------------|---------------|
| 721 | Q5   | 5613-3422(O)or(Y) | XISTOR, NPN R |
| 722 | Q6   | 5611-1359(O)or(Y) | XISTOR, PNP R |
| 723 | Q11  | 5613-2235(O)or(Y) | XISTOR, NPN R |
| 724 | Q12  | 5611-965(O)or(Y)  | XISTOR, PNP R |
| 651 | Q501 | 5613-2320L(F)     | XISTOR, NPN R |
| 651 | Q502 | 5613-2320L(F)     | XISTOR, NPN R |
| 651 | Q503 | 5613-2320L(F)     | XISTOR, NPN R |
| 651 | Q504 | 5613-2320L(F)     | XISTOR, NPN R |
| 652 | Q505 | 5613-2603(E)or(F) | XISTOR, NPN R |
| 652 | Q506 | 5613-2603(E)or(F) | XISTOR, NPN R |
| 652 | Q507 | 5613-2603(E)or(F) | XISTOR, NPN R |
| 652 | Q508 | 5613-2603(E)or(F) | XISTOR, NPN R |
| 653 | Q509 | 5611-1115(E)or(F) | XISTOR, PNP R |
| 653 | Q510 | 5611-1115(E)or(F) | XISTOR, PNP R |
| 652 | Q511 | 5613-2603(E)or(F) | XISTOR, NPN R |
| 652 | Q512 | 5613-2603(E)or(F) | XISTOR, NPN R |
| 653 | Q513 | 5611-1115(E)or(F) | XISTOR, PNP R |
| 653 | Q514 | 5611-1115(E)or(F) | XISTOR, PNP R |
| 655 | Q515 | 5612-647(C)       | XISTOR, PNP A |
| 655 | Q516 | 5612-647(C)       | XISTOR, PNP A |
| 654 | Q517 | 5614-667(C)       | XISTOR, NPN A |
| 654 | Q518 | 5614-667(C)       | XISTOR, NPN A |
| 621 | Q901 | 5613-2603(F)or(E) | XISTOR, NPN R |
| 621 | Q902 | 5613-2603(F)or(E) | XISTOR, NPN R |
| 622 | Q903 | 5611-1115(F)or(E) | XISTOR, PNP R |
| 622 | Q904 | 5611-1115(F)or(E) | XISTOR, PNP R |
| 621 | Q905 | 5613-2603(F)or(E) | XISTOR, NPN R |
| 621 | Q906 | 5613-2603(F)or(E) | XISTOR, NPN R |

**DIODES**

|     |      |              |              |
|-----|------|--------------|--------------|
| 726 | D9   | 5635-HZ24-2L | DIODE, ZENER |
| 726 | D10  | 5635-HZ24-2L | DIODE, ZENER |
| 727 | D11  | 5635-HZ15-2L | DIODE, ZENER |
| 727 | D12  | 5635-HZ15-2L | DIODE, ZENER |
| 657 | D503 | 5631-1S2473  | DIODE, DET   |
| 657 | D504 | 5631-1S2473  | DIODE, DET   |

**CONTROLS**

|     |       |               |                    |
|-----|-------|---------------|--------------------|
| 913 | VR501 | 5113-50396122 | RES, V CBN 16 50K  |
| 913 | VR502 | 5113-50396122 | RES, V CBN 16 50K  |
| 909 | VR505 | 5113-50373148 | RES, V CBN 16 50K  |
| 909 | VR506 | 5113-50373148 | RES, V CBN 16 50K  |
| 911 | VR507 | 5113-10474148 | RES, V CBN 16 100K |
| 911 | VR508 | 5113-10474148 | RES, V CBN 16 100K |

**MISCELLANEOUS**

|     |       |               |             |
|-----|-------|---------------|-------------|
| 969 | JL501 | 4242-R0403201 | JUMPER LEAD |
| 970 | JL502 | 4242-R0307800 | JUMPER LEAD |
| 971 | JL503 | 4242-R0407181 | JUMPER LEAD |
| 972 | JL504 | 4242-R0307551 | JUMPER LEAD |
| 973 | JL505 | 4242-R0305800 | JUMPER LEAD |
| 974 | JL506 | 4242-R0307551 | JUMPER LEAD |
| 975 | JL507 | 4242-R0303141 | JUMPER LEAD |
| 970 | JL508 | 4242-R0307800 | JUMPER LEAD |
| 970 | JL509 | 4242-R0307800 | JUMPER LEAD |
| 970 | JL510 | 4242-R0307800 | JUMPER LEAD |

| Ser. No. | Ref. No. | Part No.      | Description   |
|----------|----------|---------------|---------------|
| 970      | JL511    | 4242-R0307800 | JUMPER LEAD   |
| 976      | JL515    | 4242-R0303501 | JUMPER LEAD   |
| 978      | JL516    | 4242-R0403101 | JUMPER LEAD   |
| 979      | JL517    | 4242-R0404181 | JUMPER LEAD   |
| 981      | JL801    | 4242-R0304601 | JUMPER LEAD   |
| 980      | JL802    | 4242-R0304551 | JUMPER LEAD   |
| 897      | SW1      | 4424-00102045 | SWITCH, RO-SL |
| 898      | SW2      | 4424-00103065 | SWITCH, RO-SL |
| 899      | SW3      | 4424-00101043 | SWITCH, RO-SL |
| 708      | LCN519   | 4163-0125020  | CONNECTOR W/W |
| 709      | LCN528   | 4163-0125024  | CONNECTOR W/W |

**PCB-6 TONE 2 P.C. BOARD**

**CAPACITORS**

|      |      |               |                            |
|------|------|---------------|----------------------------|
| 933  | C75  | 5345-106C0951 | CAP, MINI ELE 10μ/16V      |
| 933  | C76  | 5345-106C0951 | CAP, MINI ELE 10μ/16V      |
| 643  | C503 | 5354-394593   | CAP, MYL .39μ              |
| 643  | C504 | 5354-394593   | CAP, MYL .39μ              |
| 644  | C505 | 5354-183J1HM  | CAP, MYL .018μ             |
| 644  | C506 | 5354-183J1HM  | CAP, MYL .018μ             |
| 679  | C523 | 5354-183J1HM  | CAP, MYL .018μ             |
| 679  | C524 | 5354-183J1HM  | CAP, MYL .018μ             |
| 675  | C525 | 5354-152J1HM  | CAP, MYL 1500p             |
| 675  | C526 | 5354-152J1HM  | CAP, MYL 1500p             |
| 672  | C527 | 5354-183J1HM  | CAP, MYL .018μ             |
| 672  | C528 | 5354-183J1HM  | CAP, MYL .018μ             |
| 673  | C529 | 5354-152J1HM  | CAP, MYL 1500p             |
| 673  | C530 | 5354-152J1HM  | CAP, MYL 1500p             |
| 671  | C531 | 5354-104593   | CAP, MYL .1μ               |
| 671  | C532 | 5354-104593   | CAP, MYL .1μ               |
| 677  | C535 | 5354-682J1HM  | CAP, MYL 6800p             |
| 677  | C536 | 5354-682J1HM  | CAP, MYL 6800p             |
| 678  | C537 | 5354-393J1HM  | CAP, MYL .039μ             |
| 678  | C538 | 5354-393J1HM  | CAP, MYL .039μ             |
| 665  | C539 | 5354-272J1HM  | CAP, MYL 2700p             |
| 665  | C540 | 5354-272J1HM  | CAP, MYL 2700p             |
| 679  | C541 | 5354-183J1HM  | CAP, MYL .018μ             |
| 679  | C542 | 5354-183J1HM  | CAP, MYL .018μ             |
| 059B | C554 | 5361-223ZF    | CAP, CER .022μ <b>G GB</b> |

**RESISTORS**

|     |      |              |                    |
|-----|------|--------------|--------------------|
| 938 | R55  | 5134-681J25P | RES, CBN 1/4P 680  |
| 646 | R503 | 5134-105J25P | RES, CBN 1/4P 1M   |
| 646 | R504 | 5134-105J25P | RES, CBN 1/4P 1M   |
| 702 | R543 | 5134-331J25P | RES, CBN 1/4P 330  |
| 702 | R544 | 5134-331J25P | RES, CBN 1/4P 330  |
| 697 | R545 | 5134-153J25P | RES, CBN 1/4P 15K  |
| 697 | R546 | 5134-153J25P | RES, CBN 1/4P 15K  |
| 692 | R547 | 5134-272J25P | RES, CBN 1/4P 2.7K |
| 692 | R548 | 5134-272J25P | RES, CBN 1/4P 2.7K |
| 696 | R549 | 5134-331J25P | RES, CBN 1/4P 330  |
| 696 | R550 | 5134-331J25P | RES, CBN 1/4P 330  |
| 699 | R551 | 5134-122J25P | RES, CBN 1/4P 1.2K |
| 699 | R552 | 5134-122J25P | RES, CBN 1/4P 1.2K |
| 697 | R557 | 5134-153J25P | RES, CBN 1/4P 15K  |
| 697 | R558 | 5134-153J25P | RES, CBN 1/4P 15K  |
| 698 | R559 | 5134-272J25P | RES, CBN 1/4P 2.7K |
| 698 | R560 | 5134-272J25P | RES, CBN 1/4P 2.7K |
| 701 | R589 | 5134-391J25P | RES, CBN 1/4P 390  |
| 701 | R590 | 5134-391J25P | RES, CBN 1/4P 390  |

**DIODES**

|     |     |              |     |
|-----|-----|--------------|-----|
| 936 | D52 | 5637-GL5HD10 | LED |
| 936 | D53 | 5637-GL5HD10 | LED |
| 936 | D54 | 5637-GL5HD10 | LED |
| 936 | D55 | 5637-GL5HD10 | LED |
| 936 | D56 | 5637-GL5HD10 | LED |
| 936 | D57 | 5637-GL5HD10 | LED |
| 936 | D58 | 5637-GL5HD10 | LED |

**MISCELLANEOUS**

|     |     |               |              |
|-----|-----|---------------|--------------|
| 893 | SW5 | 4431-03127158 | SWITCH, PUSH |
| 892 | SW7 | 4431-05127159 | SWITCH, PUSH |

| Ser. No. | Ref. No. | Part No.      | Description |
|----------|----------|---------------|-------------|
| 983      | JL514    | 4242-R0403101 | JUMPER LEAD |

**PCB-7 VOLUME P.C. BOARD**

**RESISTORS**

|     |      |              |                    |
|-----|------|--------------|--------------------|
| 703 | R509 | 5134-472J25P | RES, CBN 1/4P 4.7K |
| 703 | R510 | 5134-472J25P | RES, CBN 1/4P 4.7K |

**CONTROLS**

|     |       |               |                    |
|-----|-------|---------------|--------------------|
| 907 | VR503 | 5113-10472147 | RES, V CBN 16 100K |
| 907 | VR504 | 5113-10472147 | RES, V CBN 16 100K |

**MISCELLANEOUS**

|     |       |             |           |
|-----|-------|-------------|-----------|
| 942 | CN514 | 4443-030185 | CONNECTOR |
|-----|-------|-------------|-----------|

**PCB-8 CAPACITANCE TRIM P.C. BOARD**

**CAPACITORS**

|     |      |              |               |
|-----|------|--------------|---------------|
| 558 | C653 | 5359-151585I | CAP, PPP 150p |
| 558 | C654 | 5359-151585I | CAP, PPP 150p |
| 559 | C655 | 5359-511585I | CAP, PPP 510p |
| 559 | C656 | 5359-511585I | CAP, PPP 510p |

**MISCELLANEOUS**

|     |      |             |                |
|-----|------|-------------|----------------|
| 901 | SW12 | 4411-204714 | SWITCH, ROTRAY |
|-----|------|-------------|----------------|

**PCB-9 4/8Ω LED P.C. BOARD**

**CAPACITORS**

|     |     |               |                       |
|-----|-----|---------------|-----------------------|
| 934 | C78 | 5345-106C0356 | CAP, MINI ELE 10μ/16V |
| 934 | C79 | 5345-106C0356 | CAP, MINI ELE 10μ/16V |

**DIODES**

|     |     |              |     |
|-----|-----|--------------|-----|
| 935 | D78 | 5637-SLP965B | LED |
| 935 | D79 | 5637-SLP965B | LED |

**PCB-10 PIN JACK P.C. BOARD**

**CAPACITORS**

|      |      |              |                            |
|------|------|--------------|----------------------------|
| 613  | C80  | 5345-337C04I | CAP, MINI ELE 330μ/16V     |
| 613  | C81  | 5345-337C04I | CAP, MINI ELE 330μ/16V     |
| 060B | C551 | 5361-223ZF   | CAP, CER .022μ <b>G GB</b> |
| 060B | C552 | 5361-223ZF   | CAP, CER .022μ <b>G GB</b> |
| 058B | C553 | 5361-223ZF   | CAP, CER .022μ <b>G GB</b> |
| 598  | C802 | 5345-106C04I | CAP, MINI ELE 10μ/16V      |
| 596  | C811 | 5345-107B04I | CAP, MINI ELE 100μ/10V     |
| 596  | C812 | 5345-107B04I | CAP, MINI ELE 100μ/10V     |
| 596  | C813 | 5345-107B04I | CAP, MINI ELE 100μ/10V     |
| 597  | C814 | 5345-337B04I | CAP, MINI ELE 330μ/10V     |
| 597  | C815 | 5345-337B04I | CAP, MINI ELE 330μ/10V     |
| 597  | C816 | 5345-337B04I | CAP, MINI ELE 330μ/10V     |

**RESISTORS**

|     |      |               |                    |
|-----|------|---------------|--------------------|
| 618 | R80  | 5134-123J25P  | RES, CBN 1/4P 12K  |
| 615 | ΔR81 | 5102-3304715  | RES, FUSE 33       |
| 617 | R82  | 5176-S010J560 | RES, MTL 1/2 56    |
| 617 | R83  | 5176-S010J560 | RES, MTL 1/2 56    |
| 617 | R84  | 5176-S010J560 | RES, MTL 1/2 56    |
| 649 | R585 | 5134-102J25P  | RES, CBN 1/4P 1K   |
| 649 | R586 | 5134-102J25P  | RES, CBN 1/4P 1K   |
| 648 | R587 | 5134-471J25P  | RES, CBN 1/4P 470  |
| 648 | R588 | 5134-471J25P  | RES, CBN 1/4P 470  |
| 601 | R801 | 5232-272J16P  | RES, CBN 1/6P 2.7K |
| 600 | R802 | 5232-122J16P  | RES, CBN 1/6P 1.2K |
| 603 | R803 | 5232-393J16P  | RES, CBN 1/6P 39K  |
| 603 | R804 | 5232-393J16P  | RES, CBN 1/6P 39K  |
| 603 | R805 | 5232-393J16P  | RES, CBN 1/6P 39K  |
| 603 | R806 | 5232-393J16P  | RES, CBN 1/6P 39K  |
| 603 | R807 | 5232-393J16P  | RES, CBN 1/6P 39K  |
| 603 | R808 | 5232-393J16P  | RES, CBN 1/6P 39K  |
| 602 | R810 | 5232-750J16P  | RES, CBN 1/6P 75   |
| 602 | R811 | 5232-750J16P  | RES, CBN 1/6P 75   |
| 602 | R812 | 5232-750J16P  | RES, CBN 1/6P 75   |

| Ser. No. | Ref. No. | Part No. | Description |
|----------|----------|----------|-------------|
|----------|----------|----------|-------------|

|      |      |              |                                       |
|------|------|--------------|---------------------------------------|
| 602  | R813 | 5232-750J16P | RES, CBN 1/6P 75                      |
| 602  | R814 | 5232-750J16P | RES, CBN 1/6P 75                      |
| 602  | R815 | 5232-750J16P | RES, CBN 1/6P 75                      |
| 604  | R820 | 5232-271J16P | RES, CBN 1/6P 270                     |
| 604  | R821 | 5232-271J16P | RES, CBN 1/6P 270                     |
| 604  | R822 | 5232-271J16P | RES, CBN 1/6P 270                     |
| 605  | R823 | 5232-221J16P | RES, CBN 1/6P 220                     |
| 605  | R824 | 5232-221J16P | RES, CBN 1/6P 220                     |
| 605  | R825 | 5232-221J16P | RES, CBN 1/6P 220                     |
| 605  | R826 | 5232-221J16P | RES, CBN 1/6P 220                     |
| 605  | R827 | 5232-221J16P | RES, CBN 1/6P 220                     |
| 605  | R828 | 5232-221J16P | RES, CBN 1/6P 220                     |
| 606  | R829 | 5232-331J16P | RES, CBN 1/6P 330                     |
| 606B | R829 | 5232-102J16P | RES, CBN 1/6P 1K <b>UA BK N G GB</b>  |
| 606  | R830 | 5232-331J16P | RES, CBN 1/6P 330 <b>UA BK N G GB</b> |
| 606B | R830 | 5232-102J16P | RES, CBN 1/6P 1K <b>G GB</b>          |
| 606  | R831 | 5232-331J16P | RES, CBN 1/6P 330 <b>UA BK N G GB</b> |
| 606B | R831 | 5232-102J16P | RES, CBN 1/6P 1K <b>G GB</b>          |

**INTEGRATED CIRCUITS**

|     |       |               |             |
|-----|-------|---------------|-------------|
| 591 | IC801 | 5654-TC4066BP | IC, DIGITAL |
| 591 | IC802 | 5654-TC4066BP | IC, DIGITAL |

**TRANSISTORS**

|     |      |                   |               |
|-----|------|-------------------|---------------|
| 609 | Q80  | 5613-3422(O)or(Y) | XISTOR, NPN R |
| 593 | Q810 | 5611-1115(E)or(F) | XISTOR, PNP R |
| 594 | Q811 | 5613-2603(E)or(F) | XISTOR, NPN R |
| 593 | Q812 | 5611-1115(E)or(F) | XISTOR, PNP R |
| 594 | Q813 | 5613-2603(E)or(F) | XISTOR, NPN R |
| 593 | Q814 | 5611-1115(E)or(F) | XISTOR, PNP R |
| 594 | Q815 | 5613-2603(E)or(F) | XISTOR, NPN R |

**DIODES**

|     |     |               |              |
|-----|-----|---------------|--------------|
| 611 | D80 | 5635-HZ12C-2L | DIODE, ZENER |
|-----|-----|---------------|--------------|

**MISCELLANEOUS**

|      |        |               |                                 |
|------|--------|---------------|---------------------------------|
| 921  | J2     | 4484-47       | PIN JACK, 4P <b>UA BK G GB</b>  |
| 921D | J2     | 4489-00201004 | PIN JACK, MLT <b>N</b>          |
| 921  | J3     | 4484-47       | PIN JACK, 4P <b>UA BK G GB</b>  |
| 921D | J3     | 4489-00201004 | PIN JACK, MLT <b>N</b>          |
| 924  | J6     | 4486-16       | PIN JACK, 6P <b>UA BK G GB</b>  |
| 924D | J6     | 4489-00401006 | PIN JACK, MLT <b>N</b>          |
| 925  | J7     | 4489-00101002 | PIN JACK, MLT <b>UA BK G GB</b> |
| 925D | J7     | 4489-00102002 | PIN JACK, MLT <b>N</b>          |
| 925  | J8     | 4489-00101002 | PIN JACK, MLT <b>UA BK G GB</b> |
| 925D | J8     | 4489-00102002 | PIN JACK, MLT <b>N</b>          |
| 925  | J9     | 4489-00101002 | PIN JACK, MLT <b>UA BK G GB</b> |
| 925D | J9     | 4489-00102002 | PIN JACK, MLT <b>N</b>          |
| 592  | RL801  | 5212-473J0301 | R COMPOSITE                     |
| 592  | RL802  | 5212-473J0301 | R COMPOSITE                     |
| 710  | LCN529 | 4163-0140020  | CONNECTOR W/W                   |
| 707  | LCN801 | 4163-0145020  | CONNECTOR W/W                   |

**PCB-11 EQUALIZER P.C. BOARD**

**CAPACITORS**

|      |      |               |                            |
|------|------|---------------|----------------------------|
| 061B | C555 | 5361-223ZF    | CAP, CER .022μ <b>G GB</b> |
| 545  | C601 | 5345-106D0951 | CAP, MINI ELE 10μ/25V      |
| 545  | C602 | 5345-106D0951 | CAP, MINI ELE 10μ/25V      |
| 555  | C603 | 5353-121534   | CAP, MCA 120p              |
| 555  | C604 | 5353-121534   | CAP, MCA 120p              |
| 554  | C605 | 5359-1015851  | CAP, PPP 100p              |
| 554  | C606 | 5359-1015851  | CAP, PPP 100p              |
| 546  | C607 | 5345-477B0952 | CAP, MINI ELE 470μ/10V     |
| 546  | C608 | 5345-477B0952 | CAP, MINI ELE 470μ/10V     |
| 548  | C609 | 5345-226C04I  | CAP, MINI ELE 22μ/16V      |
| 548  | C610 | 5345-226C04I  | CAP, MINI ELE 22μ/16V      |
| 551  | C611 | 5354-822J1HM  | CAP, MYL 8200p             |
| 551  | C612 | 5354-822J1HM  | CAP, MYL 8200p             |
| 552  | C613 | 5354-223J1HM  | CAP, MYL .022μ             |
| 552  | C614 | 5354-223J1HM  | CAP, MYL .022μ             |
| 550  | C615 | 5354-562J1HM  | CAP, MYL 5600p             |
| 550  | C616 | 5354-562J1HM  | CAP, MYL 5600p             |
| 556  | C617 | 5359-2025851  | CAP, PPP 2000p             |
| 556  | C618 | 5359-2025851  | CAP, PPP 2000p             |

| Ser. No.         | Ref. No. | Part No.      | Description                | Ser. No.           | Ref. No. | Part No.          | Description                    |
|------------------|----------|---------------|----------------------------|--------------------|----------|-------------------|--------------------------------|
| 556              | C619     | 5359-2025851  | CAP, PPP 2000p             | 563                | R648     | 5174-Z412238      | RES, MTL 1/4 41.2K             |
| 556              | C620     | 5359-2025851  | CAP, PPP 2000p             | 577                | R649     | 5134-102J25P      | RES, CBN 1/4P 1K               |
| 547              | C623     | 5345-106F0951 | CAP, MINI ELE 10μ/50V      | 577                | R650     | 5134-102J25P      | RES, CBN 1/4P 1K               |
| 547              | C624     | 5345-106F0951 | CAP, MINI ELE 10μ/50V      | 579                | R651     | 5134-104J25P      | RES, CBN 1/4P 100K             |
| 716              | C625     | 5345-337D041  | CAP, MINI ELE 330μ/25V     | 579                | R652     | 5134-104J25P      | RES, CBN 1/4P 100K             |
| 716              | C626     | 5345-337D041  | CAP, MINI ELE 330μ/25V     | 719                | R653     | 5134-822J25P      | RES, CBN 1/4P 8.2K             |
| 716              | C627     | 5345-337D041  | CAP, MINI ELE 330μ/25V     | 719                | R654     | 5134-822J25P      | RES, CBN 1/4P 8.2K             |
| 716              | C628     | 5345-337D041  | CAP, MINI ELE 330μ/25V     | 718                | R655     | 5176-S010J330     | RES, MTL 1/2 33                |
| 557              | C651     | 5359-3315851  | CAP, PPP 330p              | 718                | R656     | 5176-S010J330     | RES, MTL 1/2 33                |
| 557              | C652     | 5359-3315851  | CAP, PPP 330p              | 717                | ΔR657    | 5102-2204715      | RES, FUSE 22                   |
| 053B             | C681     | 5353-330534   | CAP, MCA 33p <b>G GB</b>   | 717                | ΔR658    | 5102-2204715      | RES, FUSE 22                   |
| 053B             | C682     | 5353-330534   | CAP, MCA 33p <b>G GB</b>   | 578                | R659     | 5134-471J25P      | RES, CBN 1/4P 470              |
| 052B             | C683     | 5354-473593   | CAP, MYL .047μ <b>G GB</b> | 578                | R660     | 5134-471J25P      | RES, CBN 1/4P 470              |
| 052B             | C684     | 5354-473593   | CAP, MYL .047μ <b>G GB</b> | 562                | R661     | 5174-Z169338      | RES, MTL 1/4 169K              |
| 051B             | C685     | 5359-6815851  | CAP, PPP 680p <b>G GB</b>  | 562                | R662     | 5174-Z169338      | RES, MTL 1/4 169K              |
| 051B             | C686     | 5359-6815851  | CAP, PPP 680p <b>G GB</b>  | 582                | R663     | 5134-105J25P      | RES, CBN 1/4P 1M               |
| 512              | C703     | 5345-106F0951 | CAP, MINI ELE 10μ/50V      | 582                | R664     | 5134-105J25P      | RES, CBN 1/4P 1M               |
| 512              | C704     | 5345-106F0951 | CAP, MINI ELE 10μ/50V      | 718                | R669     | 5176-S010J330     | RES, MTL 1/2 33                |
| 512              | C705     | 5345-106F0951 | CAP, MINI ELE 10μ/50V      | 718                | R670     | 5176-S010J330     | RES, MTL 1/2 33                |
| 512              | C706     | 5345-106F0951 | CAP, MINI ELE 10μ/50V      | 055B               | R681     | 5134-102J25P      | RES, CBN 1/4P 1K <b>G GB</b>   |
| 511              | C707     | 5345-337C041  | CAP, MINI ELE 330μ/16V     | 055B               | R682     | 5134-102J25P      | RES, CBN 1/4P 1K <b>G GB</b>   |
| 511              | C708     | 5345-337C041  | CAP, MINI ELE 330μ/16V     | 055B               | R683     | 5134-102J25P      | RES, CBN 1/4P 1K <b>G GB</b>   |
| 511              | C709     | 5345-337C041  | CAP, MINI ELE 330μ/16V     | 055B               | R684     | 5134-102J25P      | RES, CBN 1/4P 1K <b>G GB</b>   |
| 511              | C710     | 5345-337C041  | CAP, MINI ELE 330μ/16V     | 516                | R701     | 5134-1R0J25P      | RES, CBN 1/4P 1 <b>UA BK N</b> |
| 587              | C808     | 5354-102JIHM  | CAP, MYL 1000p             | 516B               | R701     | 5134-5R6J25P      | RES, CBN 1/4P 5.6 <b>G GB</b>  |
| <b>RESISTORS</b> |          |               |                            | 516                | R702     | 5134-1R0J25P      | RES, CBN 1/4P 1 <b>UA BK N</b> |
| 567              | R601     | 5134-470J25P  | RES, CBN 1/4P 47           | 516B               | R702     | 5134-5R6J25P      | RES, CBN 1/4P 5.6 <b>G GB</b>  |
| 567              | R602     | 5134-470J25P  | RES, CBN 1/4P 47           | 519                | R703     | 5134-560J25P      | RES, CBN 1/4P 56               |
| 580              | R603     | 5134-823J25P  | RES, CBN 1/4P 82K          | 519                | R704     | 5134-560J25P      | RES, CBN 1/4P 56               |
| 580              | R604     | 5134-823J25P  | RES, CBN 1/4P 82K          | 521                | R705     | 5134-472J25P      | RES, CBN 1/4P 4.7K             |
| 568              | R605     | 5134-124J25P  | RES, CBN 1/4P 120K         | 521                | R706     | 5134-472J25P      | RES, CBN 1/4P 4.7K             |
| 568              | R606     | 5134-124J25P  | RES, CBN 1/4P 120K         | 521                | R707     | 5134-472J25P      | RES, CBN 1/4P 4.7K             |
| 569              | R607     | 5134-473J25P  | RES, CBN 1/4P 47K          | 521                | R708     | 5134-472J25P      | RES, CBN 1/4P 4.7K             |
| 569              | R608     | 5134-473J25P  | RES, CBN 1/4P 47K          | 517                | R709     | 5134-100J25P      | RES, CBN 1/4P 10               |
| 570              | R609     | 5134-332J25P  | RES, CBN 1/4P 3.3K         | 517                | R710     | 5134-100J25P      | RES, CBN 1/4P 10               |
| 570              | R610     | 5134-332J25P  | RES, CBN 1/4P 3.3K         | 517                | R711     | 5134-100J25P      | RES, CBN 1/4P 10               |
| 570              | R611     | 5134-332J25P  | RES, CBN 1/4P 3.3K         | 517                | R712     | 5134-100J25P      | RES, CBN 1/4P 10               |
| 570              | R612     | 5134-332J25P  | RES, CBN 1/4P 3.3K         | 518                | R713     | 5134-220J25P      | RES, CBN 1/4P 22               |
| 581              | R613     | 5134-331J25P  | RES, CBN 1/4P 330          | 518                | R714     | 5134-220J25P      | RES, CBN 1/4P 22               |
| 581              | R614     | 5134-331J25P  | RES, CBN 1/4P 330          | 518                | R715     | 5134-220J25P      | RES, CBN 1/4P 22               |
| 581              | R615     | 5134-331J25P  | RES, CBN 1/4P 330          | 518                | R716     | 5134-220J25P      | RES, CBN 1/4P 22               |
| 581              | R616     | 5134-331J25P  | RES, CBN 1/4P 330          | 515                | R717     | 5174-561381       | RES, MTL 1/4 560               |
| 581              | R617     | 5134-331J25P  | RES, CBN 1/4P 330          | 515                | R718     | 5174-561381       | RES, MTL 1/4 560               |
| 581              | R618     | 5134-331J25P  | RES, CBN 1/4P 330          | 515                | R719     | 5174-561381       | RES, MTL 1/4 560               |
| 581              | R619     | 5134-331J25P  | RES, CBN 1/4P 330          | 515                | R720     | 5174-561381       | RES, MTL 1/4 560               |
| 581              | R620     | 5134-331J25P  | RES, CBN 1/4P 330          | 520                | R721     | 5134-392J25P      | RES, CBN 1/4P 3.9K             |
| 561              | R621     | 5174-2634038  | RES, MTL 1/4 634           | 520                | R722     | 5134-392J25P      | RES, CBN 1/4P 3.9K             |
| 561              | R622     | 5174-2634038  | RES, MTL 1/4 634           | 522                | R723     | 5134-681J25P      | RES, CBN 1/4P 680              |
| 571              | R623     | 5134-222J25P  | RES, CBN 1/4P 2.2K         | 522                | R724     | 5134-681J25P      | RES, CBN 1/4P 680              |
| 571              | R624     | 5134-222J25P  | RES, CBN 1/4P 2.2K         | 523                | R727     | 5134-331J25P      | RES, CBN 1/4P 330              |
| 571              | R625     | 5134-222J25P  | RES, CBN 1/4P 2.2K         | 523                | R728     | 5134-331J25P      | RES, CBN 1/4P 330              |
| 571              | R626     | 5134-222J25P  | RES, CBN 1/4P 2.2K         | 588                | R816     | 5134-104J25P      | RES, CBN 1/4P 100K             |
| 565              | R627     | 5174-102381   | RES, MTL 1/4 1K            | 588                | R817     | 5134-104J25P      | RES, CBN 1/4P 100K             |
| 565              | R628     | 5174-102381   | RES, MTL 1/4 1K            | 589                | R818     | 5134-103J25P      | RES, CBN 1/4P 10K              |
| 572              | R629     | 5134-682J25P  | RES, CBN 1/4P 6.8K         | 590                | R819     | 5134-105J25P      | RES, CBN 1/4P 1M               |
| 572              | R630     | 5134-682J25P  | RES, CBN 1/4P 6.8K         | <b>TRANSISTORS</b> |          |                   |                                |
| 572              | R631     | 5134-682J25P  | RES, CBN 1/4P 6.8K         | 531                | Q601     | 5613-2240(BL)     | XISTOR, NPN R                  |
| 572              | R632     | 5134-682J25P  | RES, CBN 1/4P 6.8K         | 531                | Q602     | 5613-2240(BL)     | XISTOR, NPN R                  |
| 573              | R633     | 5134-471J25P  | RES, CBN 1/4P 470          | 531                | Q603     | 5613-2240(BL)     | XISTOR, NPN R                  |
| 573              | R634     | 5134-471J25P  | RES, CBN 1/4P 470          | 531                | Q604     | 5613-2240(BL)     | XISTOR, NPN R                  |
| 573              | R635     | 5134-471J25P  | RES, CBN 1/4P 470          | 532                | Q605     | 5613-2603(E)or(F) | XISTOR, NPN R                  |
| 573              | R636     | 5134-471J25P  | RES, CBN 1/4P 470          | 532                | Q606     | 5613-2603(E)or(F) | XISTOR, NPN R                  |
| 576              | R637     | 5134-330J25P  | RES, CBN 1/4P 33           | 532                | Q607     | 5613-2603(E)or(F) | XISTOR, NPN R                  |
| 576              | R638     | 5134-330J25P  | RES, CBN 1/4P 33           | 532                | Q608     | 5613-2603(E)or(F) | XISTOR, NPN R                  |
| 576              | R639     | 5134-330J25P  | RES, CBN 1/4P 33           | 533                | Q609     | 5611-999L(F)      | XISTOR, PNP R                  |
| 576              | R640     | 5134-330J25P  | RES, CBN 1/4P 33           | 533                | Q610     | 5611-999L(F)      | XISTOR, PNP R                  |
| 574              | R641     | 5134-103J25P  | RES, CBN 1/4P 10K          | 538                | Q611     | 5613-2320L(F)     | XISTOR, NPN R                  |
| 574              | R642     | 5134-103J25P  | RES, CBN 1/4P 10K          | 538                | Q612     | 5613-2320L(F)     | XISTOR, NPN R                  |
| 575              | R643     | 5134-122J25P  | RES, CBN 1/4P 1.2K         | 533                | Q613     | 5611-999L(F)      | XISTOR, PNP R                  |
| 575              | R644     | 5134-122J25P  | RES, CBN 1/4P 1.2K         | 533                | Q614     | 5611-999L(F)      | XISTOR, PNP R                  |
| 564              | R645     | 5174-2549338  | RES, MTL 1/4 549K          | 535                | Q615     | 5612-646(C)       | XISTOR, PNP A                  |
| 564              | R646     | 5174-2549338  | RES, MTL 1/4 549K          | 535                | Q616     | 5612-646(C)       | XISTOR, PNP A                  |
| 563              | R647     | 5174-Z412238  | RES, MTL 1/4 41.2K         | 534                | Q617     | 5614-666(C)       | XISTOR, NPN A                  |

| Ser. No.      | Ref. No. | Part No.             | Description   |
|---------------|----------|----------------------|---------------|
| 534           | Q618     | 5614-666(C)          | XISTOR, NPN A |
| 536           | Q619     | 5614-667(C)          | XISTOR, NPN A |
| 536           | Q620     | 5614-667(C)          | XISTOR, NPN A |
| 537           | Q621     | 5612-647(C)          | XISTOR, PNP A |
| 537           | Q622     | 5612-647(C)          | XISTOR, PNP A |
| 711           | Q623     | 5613-3298(O)or(Y)    | XISTOR, NPN R |
| 713           | Q624     | 5611-1306(O)or(Y)    | XISTOR, PNP R |
| 502           | Q701     | 5611-1190(E)         | XISTOR, PNP R |
| 502           | Q702     | 5611-1190(E)         | XISTOR, PNP R |
| 501           | Q703     | 5613-2855(D)         | XISTOR, NPN R |
| 501           | Q704     | 5613-2855(D)         | XISTOR, NPN R |
| 501           | Q705     | 5613-2855(D)         | XISTOR, NPN R |
| 501           | Q706     | 5613-2855(D)         | XISTOR, NPN R |
| 502           | Q707     | 5611-1190(E)         | XISTOR, PNP R |
| 502           | Q708     | 5611-1190(E)         | XISTOR, PNP R |
| 503           | Q709     | 5613-2603(E)or(F)    | XISTOR, NPN R |
| 504           | Q710     | 5611-1115(E)or(F)    | XISTOR, PNP R |
| 504           | Q711     | 5611-1115(E)or(F)    | XISTOR, PNP R |
| 503           | Q712     | 5613-2603(E)or(F)    | XISTOR, NPN R |
| 505           | Q713     | 5616-2SK373GR        | FET, N-CH     |
| 505           | Q714     | 5616-2SK373GR        | FET, N-CH     |
| 585           | Q803     | 5611-1115(E)         | XISTOR, PNP R |
| 585           | Q804     | 5611-1115(E)         | XISTOR, PNP R |
| 586           | Q805     | 5616-2SK364(V)or(BL) | FET, N-CH     |
| 586           | Q806     | 5616-2SK364(V)or(BL) | FET, N-CH     |
| <b>DIODES</b> |          |                      |               |
| 541           | D601     | 5631-1S2473          | DIODE, DET    |
| 541           | D602     | 5631-1S2473          | DIODE, DET    |
| 542           | D603     | 5641-MV103           | VARISTOR      |
| 542           | D604     | 5641-MV103           | VARISTOR      |
| 715           | D605     | 5635-HZ24-2L         | DIODE, ZENER  |
| 715           | D606     | 5635-HZ24-2L         | DIODE, ZENER  |
| 508           | D701     | 5635-HZ15-1L         | DIODE, ZENER  |
| 508           | D702     | 5635-HZ15-1L         | DIODE, ZENER  |

**COILES**

|      |      |        |             |
|------|------|--------|-------------|
| 056B | L701 | 5597-3 | CORE, BEADS |
| 056B | L702 | 5597-3 | CORE, BEADS |

**MISCELLANEOUS**

|      |        |               |                |
|------|--------|---------------|----------------|
| 922  | J4     | 4484-47       | PIN JACK, 4P   |
| 922D | J4     | 4484-36       | PIN JACK, 4P   |
| 923  | J5     | 4486-9        | PIN JACK, 6P   |
| 923D | J5     | 4489-00301006 | PIN JACK, MLT  |
| 583  | LCN517 | 4163-0125020  | CONNECTOR W/W  |
| 944  | CN304  | 4443-070185   | CONNECTOR      |
| 941  | CN402  | 4443-030185   | CONNECTOR      |
| 941  | CN501  | 4443-030185   | CONNECTOR      |
| 941  | CN507  | 4443-030185   | CONNECTOR      |
| 941  | CN515  | 4443-030185   | CONNECTOR      |
| 895  | SW9    | 4422-70211    | SWITCH, REMOTE |

**PCB-12 4/8Q P.C. BOARD**

**CAPACITORS**

|     |     |              |                        |
|-----|-----|--------------|------------------------|
| 886 | C77 | 5345-107D041 | CAP, MINI ELE 100μ/25V |
| 885 | C96 | 5345-476C041 | CAP, MINI ELE 47μ/16V  |

**RESISTORS**

|     |      |              |               |
|-----|------|--------------|---------------|
| 888 | ΔR76 | 5102-2214713 | RES, FUSE 220 |
| 889 | ΔR77 | 5102-2214715 | RES, FUSE 220 |
| 890 | ΔR78 | 5102-5R64713 | RES, FUSE 5.6 |

**DIODES**

|     |     |             |             |
|-----|-----|-------------|-------------|
| 884 | D75 | 5632-S5566B | DIODE, RECT |
| 884 | D76 | 5632-S5566B | DIODE, RECT |

**MISCELLANEOUS**

|     |       |               |             |
|-----|-------|---------------|-------------|
| 985 | JL804 | 4242-R0303451 | JUMPER LEAD |
| 951 | TM301 | 4214-11034    | TERMINAL    |

**CHASSIS MISCELLANEOUS**

|      |        |              |                |
|------|--------|--------------|----------------|
| 866  | ΔF1    | 5732-632029  | FUSE           |
| 866D | ΔF1    | 5732-632050  | FUSE           |
| 867  | ΔF2    | 5732-502029  | FUSE           |
| 867D | ΔF2    | 5732-502050  | FUSE           |
| 867  | ΔF3    | 5732-502029  | FUSE           |
| 867D | ΔF3    | 5732-502050  | FUSE           |
| 867  | ΔF4    | 5732-502029  | FUSE           |
| 867D | ΔF4    | 5732-502050  | FUSE           |
| 867  | ΔF5    | 5732-502029  | FUSE           |
| 867D | ΔF5    | 5732-502050  | FUSE           |
| 861  | ΔT1    | 5584-S02     | XFORMER, POWER |
| 861B | ΔT1    | 5584-S03     | XFORMER, POWER |
| 861D | ΔT1    | 5584-S04     | XFORMER, POWER |
| 926  | ΔS01   | 4474-156     | SOCKET         |
| 930  | ΔP1    | 4161-71151   | CORD W/PLUG    |
| 930B | ΔP1    | 4161-7256    | CORD W/PLUG    |
| 930D | ΔP1    | 4161-71148   | CORD W/PLUG    |
| 065B | LUG1   | 4211-4       | LUG            |
| 065B | LUG2   | 4211-4       | LUG            |
| 065B | LUG3   | 4211-4       | LUG            |
| 065B | LUG4   | 4211-4       | LUG            |
| 868  |        | 4472-7113    | HOLDER, FUSE   |
| 868B |        | 4472-7122    | HOLDER, FUSE   |
| 932  |        | 4442-14      | PIN PLUG       |
| 041B | ΔSW101 | 4411-102729  | ROTARY SWITCH  |
| 896  | SW102  | 4421-0227230 | SLIDE SWITCH   |

**PACKAGE PARTS LIST**

|      |             |                  |
|------|-------------|------------------|
| 021B | 1759-06303  | LABEL            |
| 022B | 1756-03108  | LABEL            |
| 022D | 1756-03113  | LABEL            |
| 028B | 1119-026    | ATTACH SHEET     |
| 106  | 1111-J90195 | OWNER GUIDE      |
| 107  | 1111-J30271 | OWNER GUIDE      |
| 107B | 1111-J30272 | OWNER GUIDE      |
| 107D | 1111-J2040  | OWNER GUIDE      |
| 108  | 1113-717004 | OWNER GUIDE      |
| 108D | 1113-0C     | OWNER GUIDE      |
| 109  | 1119-047    | ATTACH SHEET     |
| 109D | 1116-GC     | ATTACH SHEET     |
| 110  | 1119-0137   | ATTACH SHEET     |
| 121  | 1241-C12732 | POLYETHYLENE BAG |
| 122  | 1241-C1492  | POLYETHYLENE BAG |
| 124  | 1221-797143 | CARTON BOX       |
| 124A | 1221-817143 | CARTON BOX       |
| 125  | 1222-7225   | CUSHION          |
| 126  | 1222-7226   | CUSHION          |
| 127  | 1223-11729  | SOFT SHEET       |

**ABBREVIATIONS IN PARTS LIST**

**CAPACITORS**

|               |                        |
|---------------|------------------------|
| CAP, MINI ELE | : Electrolytic         |
| CAP, CER      | : Ceramic              |
| CAP, PPP      | : Polypropylene        |
| CAP, MYL      | : Mylar                |
| CAP, MCA      | : Mica                 |
| CAP, MINI BP  | : Bipolar              |
| CAP, ELE BP   | : Electrolytic Bipolar |
| CAP, STY      | : Polystyrene Film     |
| CAP, SPE      | : Special              |
| CAP, TAN      | : Tantalum             |
| 470μ          | : 470μF                |
| 6800p         | : 6800pF               |
| .047μ         | : 0.047μF              |

**RESISTORS**

|               |               |
|---------------|---------------|
| RES, CBN 1/6P | : Carbon 1/6W |
| RES, FUSE     | : Fuse        |
| RES, CEM 5P   | : Cement 5W   |
| RES, MTL 1W   | : Metal 1W    |
| 2.2K          | : 2.2kΩ       |
| 220           | : 220Ω        |

**TRANSISTORS**

|        |                           |
|--------|---------------------------|
| XISTOR | : Transistor              |
| FET    | : Field Effect Transistor |

**CONTROLS**

|               |                            |
|---------------|----------------------------|
| RES, V CBN    | : Variable Carbon Resistor |
| RES, SEMI FIX | : Semi-fixed Resistor      |

**NOTE**

SAFETY RELATED COMPONENT. USE ONLY EXACT REPLACEMENT PART AS SPECIFIED.









E

F

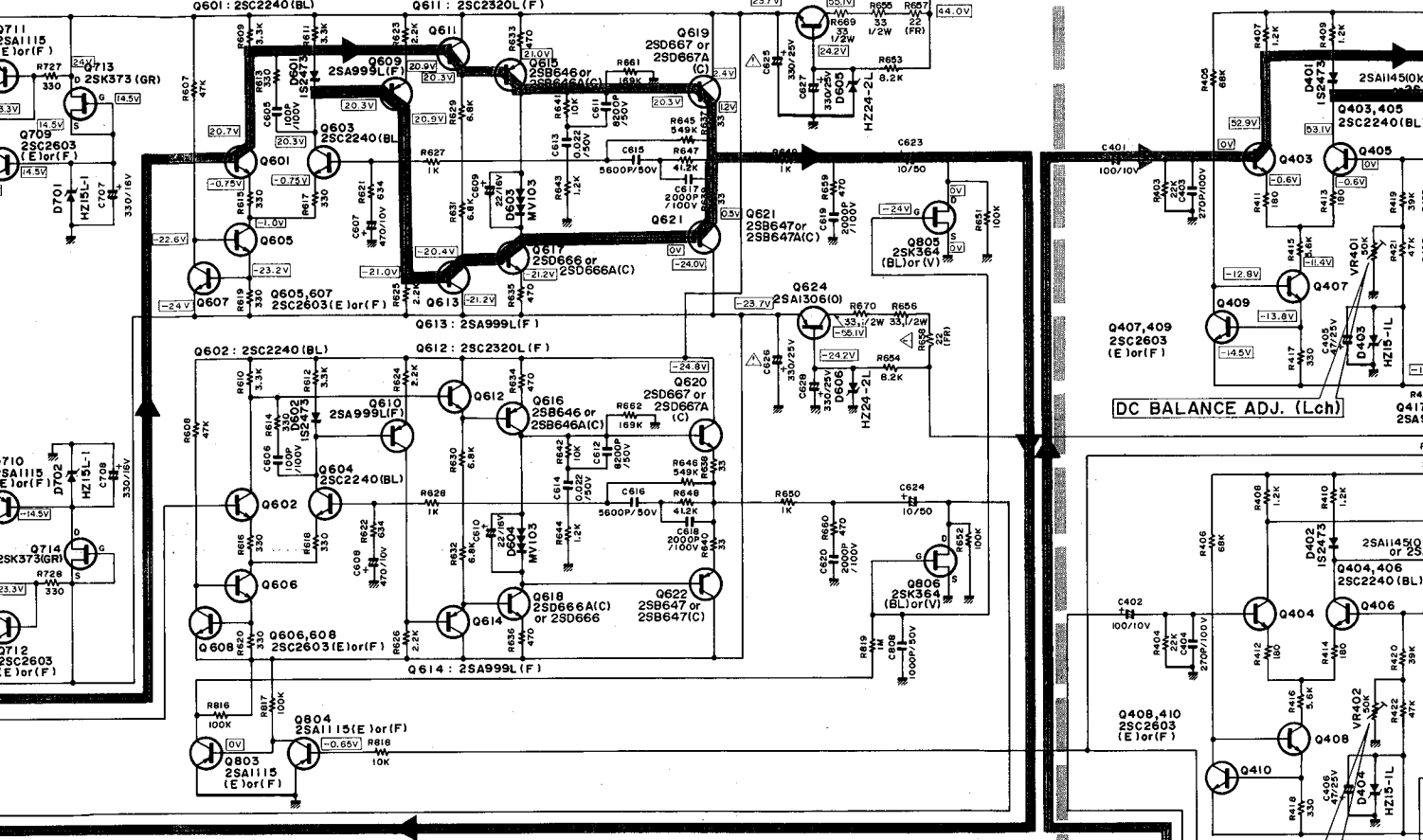
G

H

I

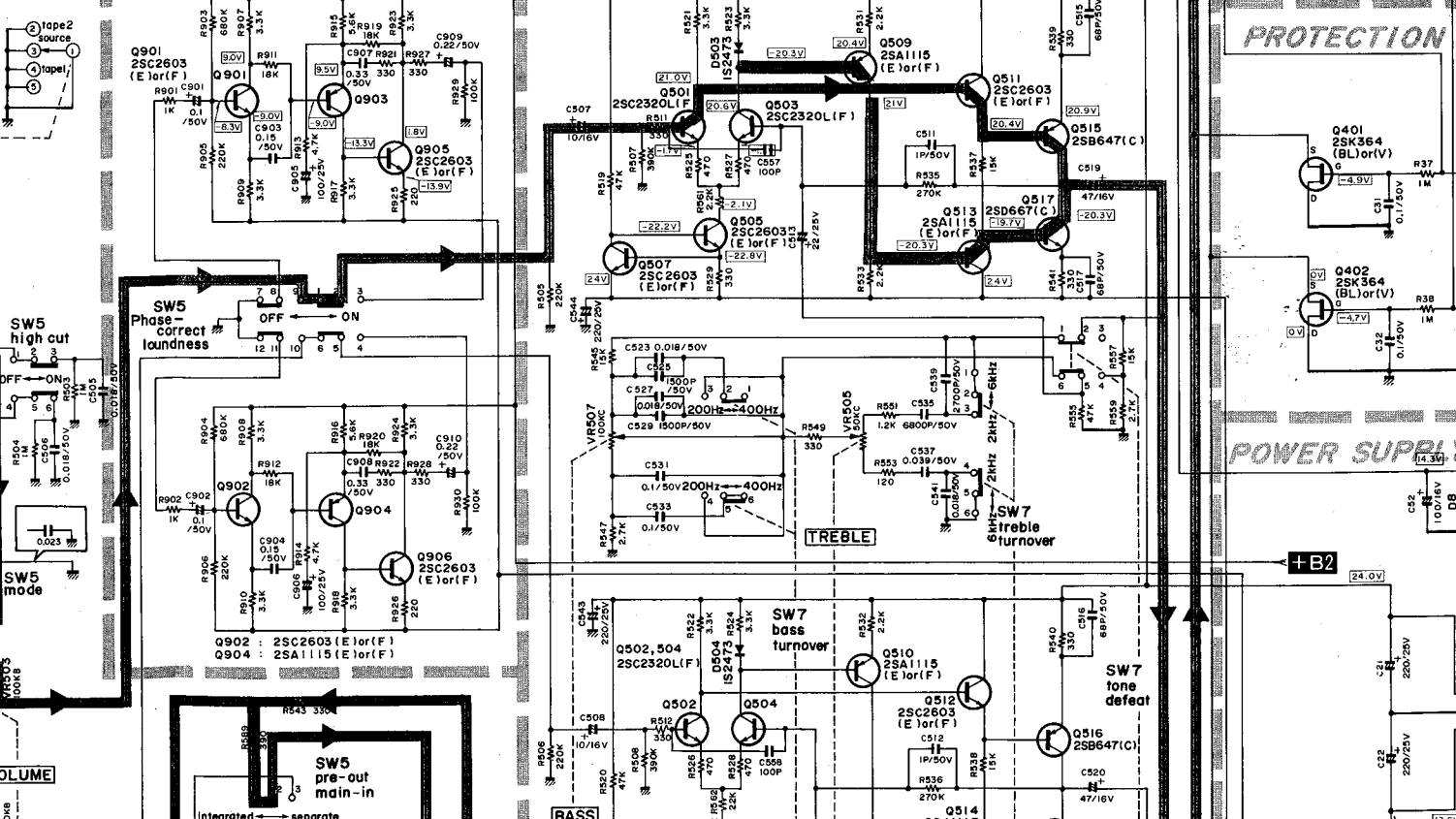
# PHONO EQUALIZER

# PRE DRIVER



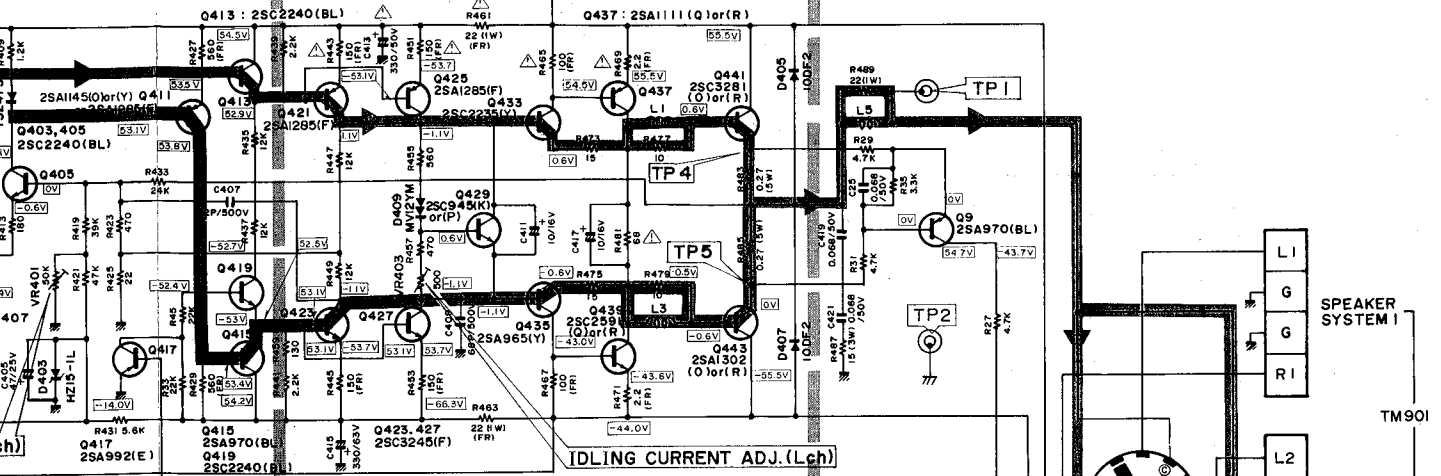
# BASS CONTOUR CIRCUIT

# TONE CONTROL

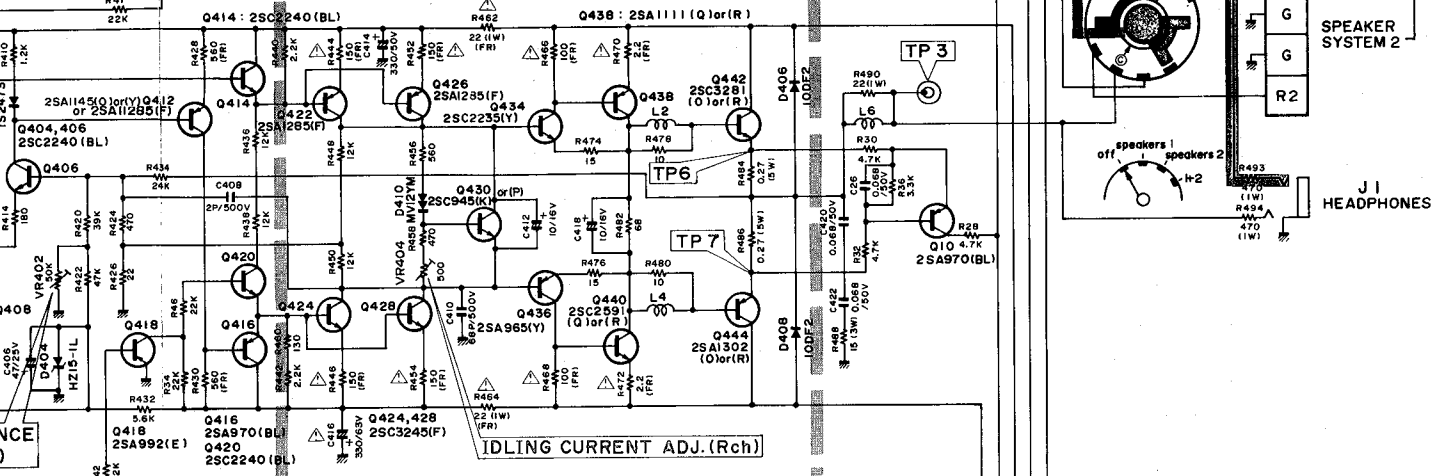


J K L M N

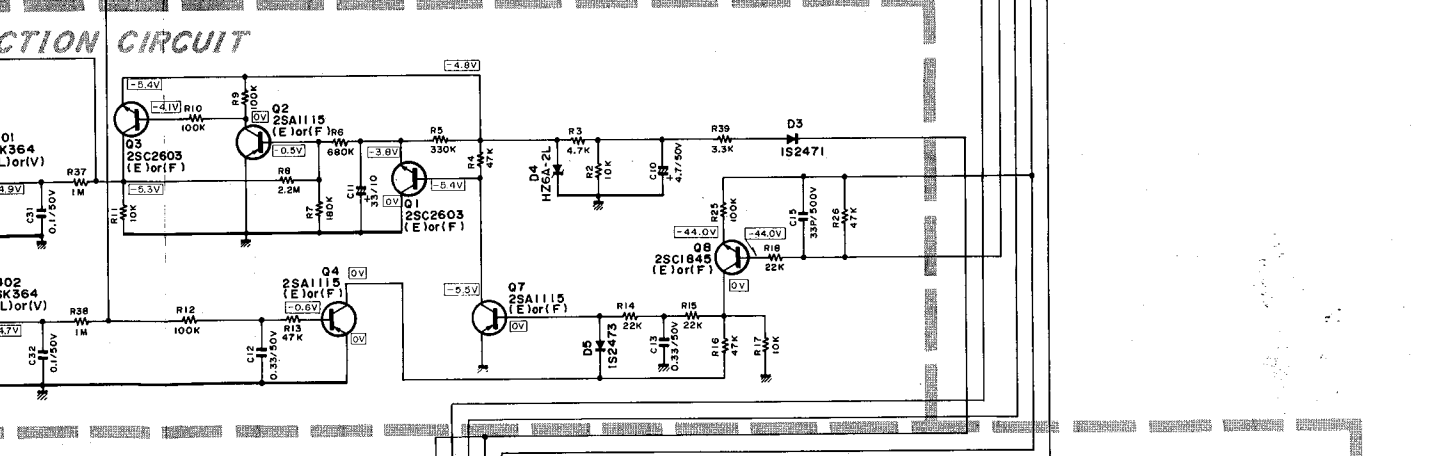
### POWER DRIVER



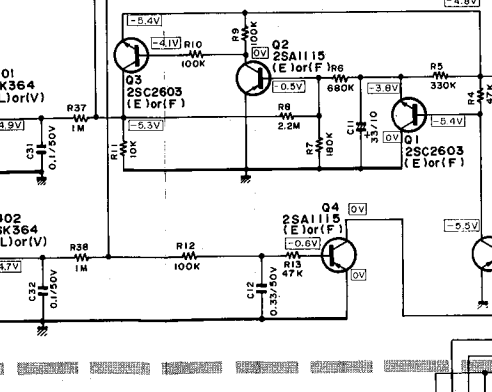
### IDLING CURRENT ADJ. (Lch)



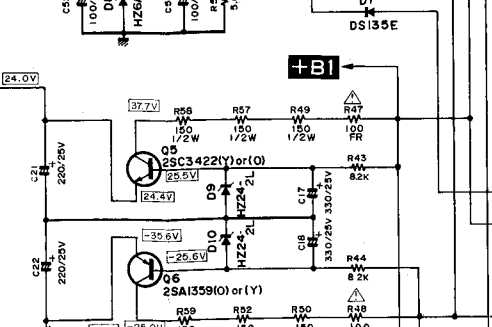
### IDLING CURRENT ADJ. (Rch)

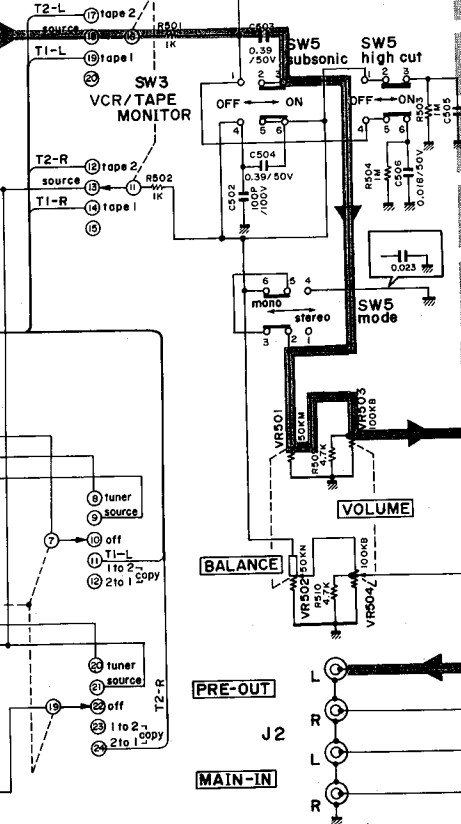
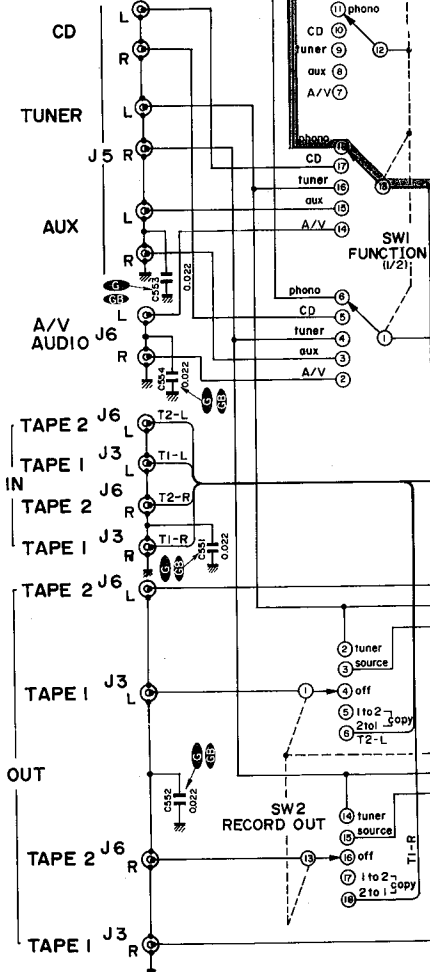
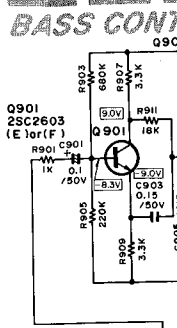
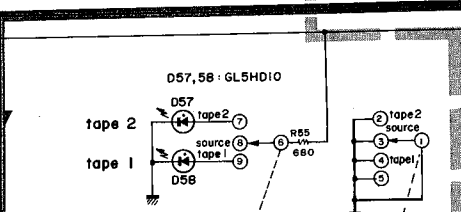
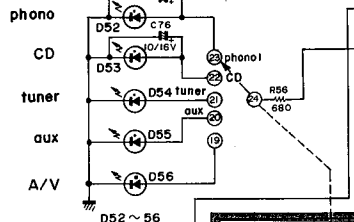
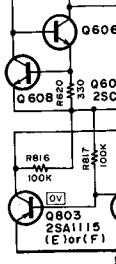
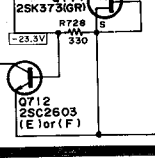
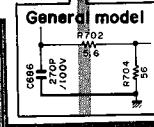
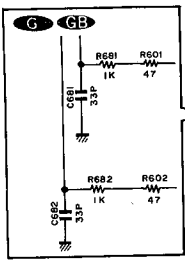


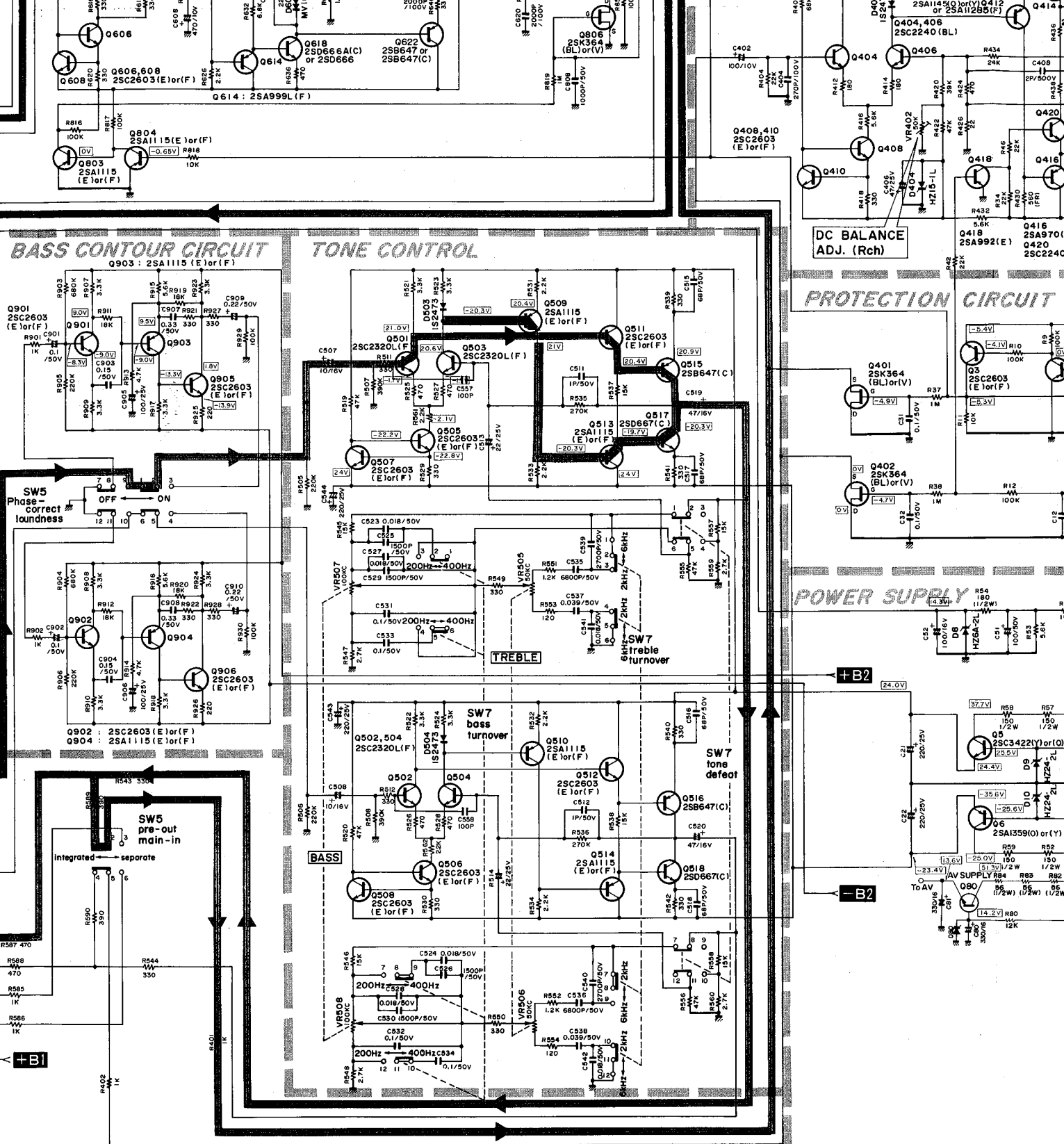
### PROTECTION CIRCUIT




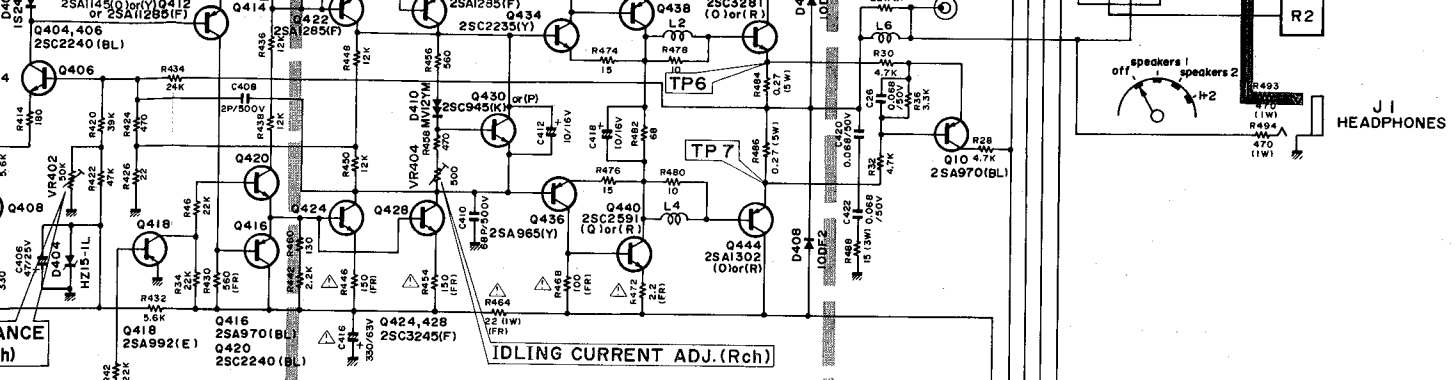
### SUPPLY



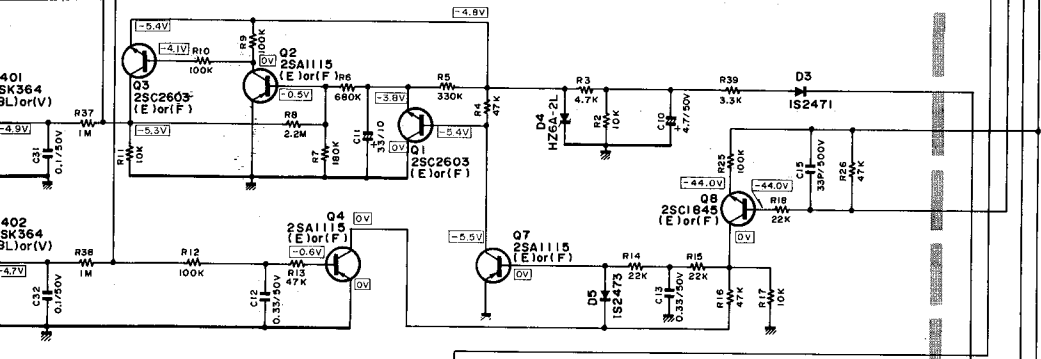




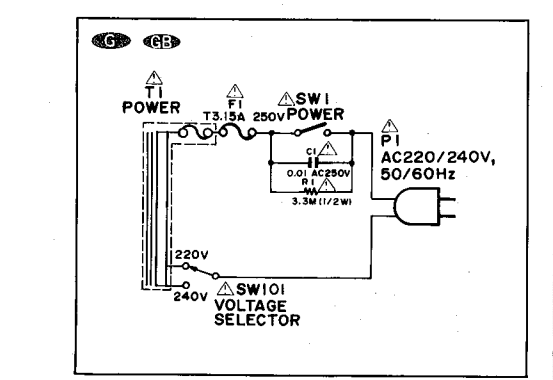
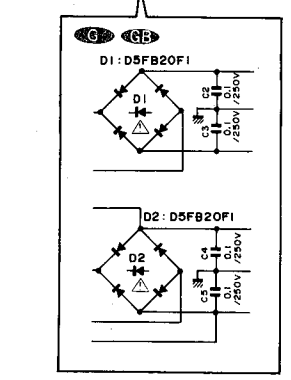
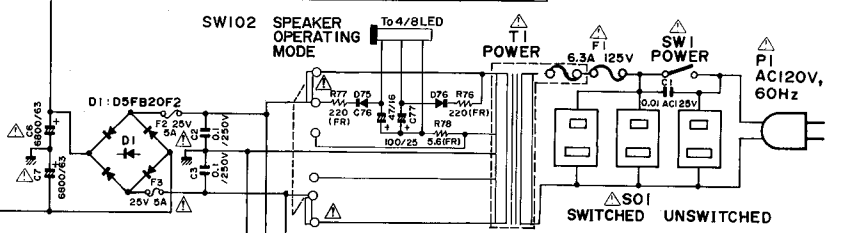
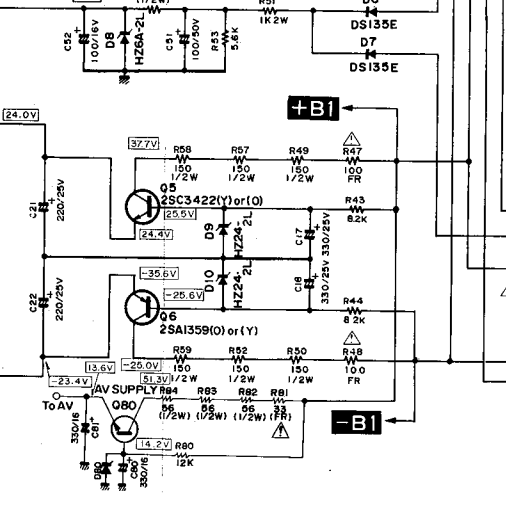
1. ALL RESISTANCES VALUES ARE IN  $\Omega$ .  
 $K\Omega=1000\Omega$ ,  $M\Omega=1000K\Omega$ .
2. THE WATTAGE OF RESISTORS IS 1/4W UNLESS OTHERWISE NOTED.
3. ALL CAPACITANCES VALUES ARE IN  $\mu F$  UNLESS OTHERWISE NOTED.  $P=\mu\mu F$
4.  $\square$  V: DC VOLTAGE AT NO SIGNAL
5.  SAFETY-REQUIREMENTS COMPONENTS IN ACCORDANCE WITH PRESENT SAFETY REGULATIONS, THESE COMPONENTS MUST ONLY BE REPLACED BY ORIGINAL PARTS.



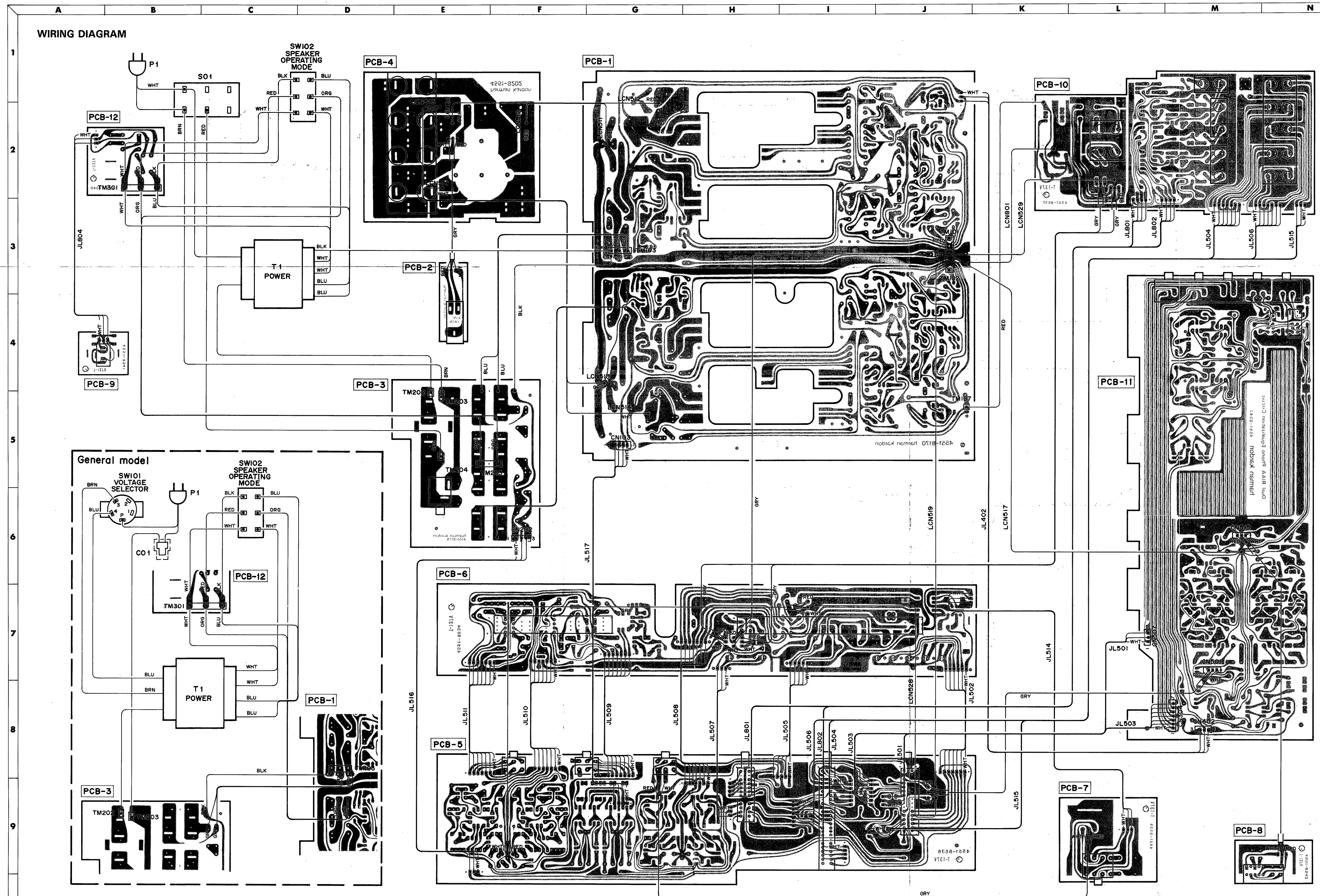
**SECTION CIRCUIT**



**SUPPLY**



WIRING DIAGRAM



WIRE COLOR ABBREVIATIONS

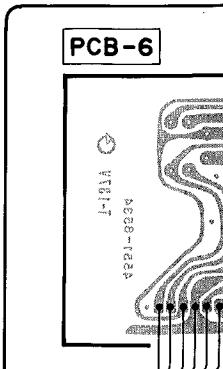
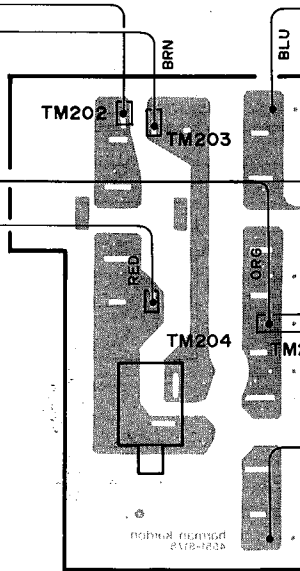
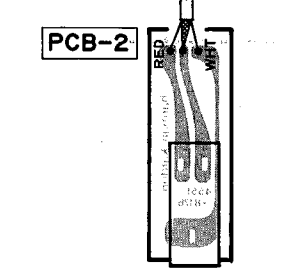
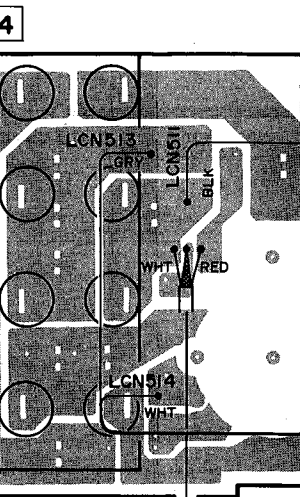
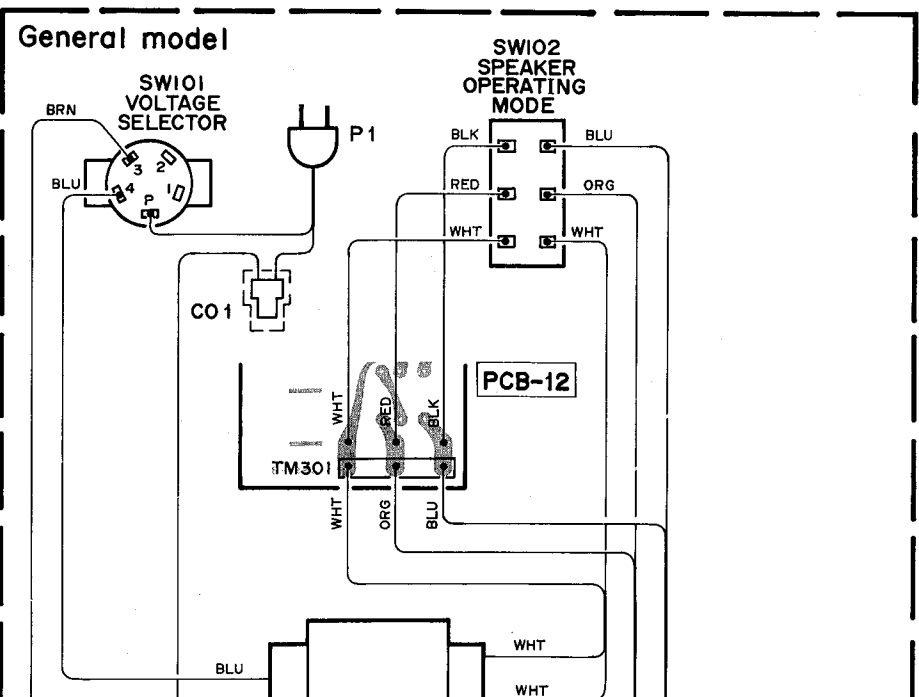
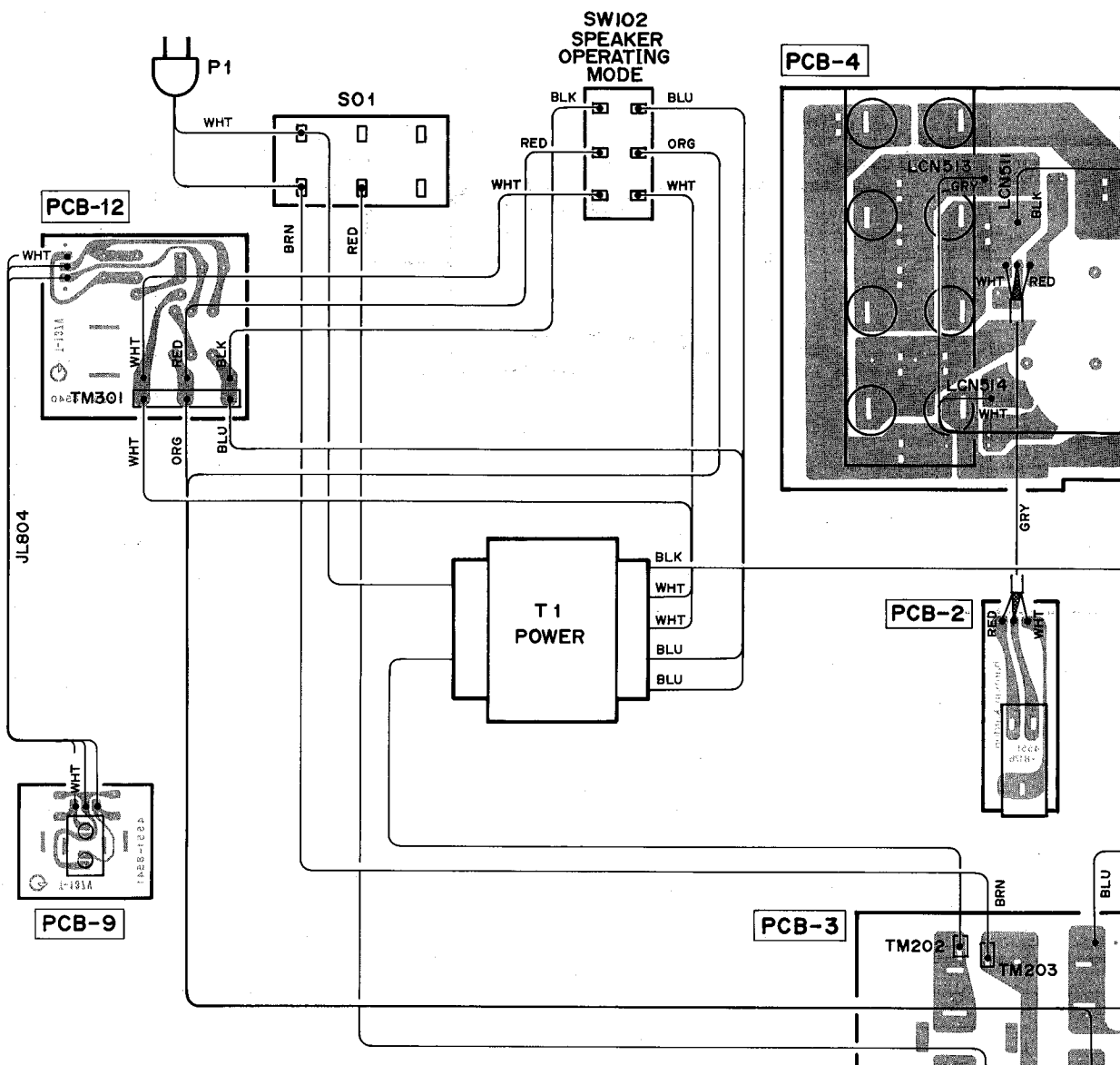
|     |          |     |          |
|-----|----------|-----|----------|
| Red | : RED    | YEL | : Yellow |
| ORG | : Orange | PUP | : Purple |
| BLU | : Blue   | PIK | : Pink   |
| WHT | : White  | GRY | : Gray   |
| GRN | : Green  | BRN | : Brown  |
| BLK | : Black  |     |          |



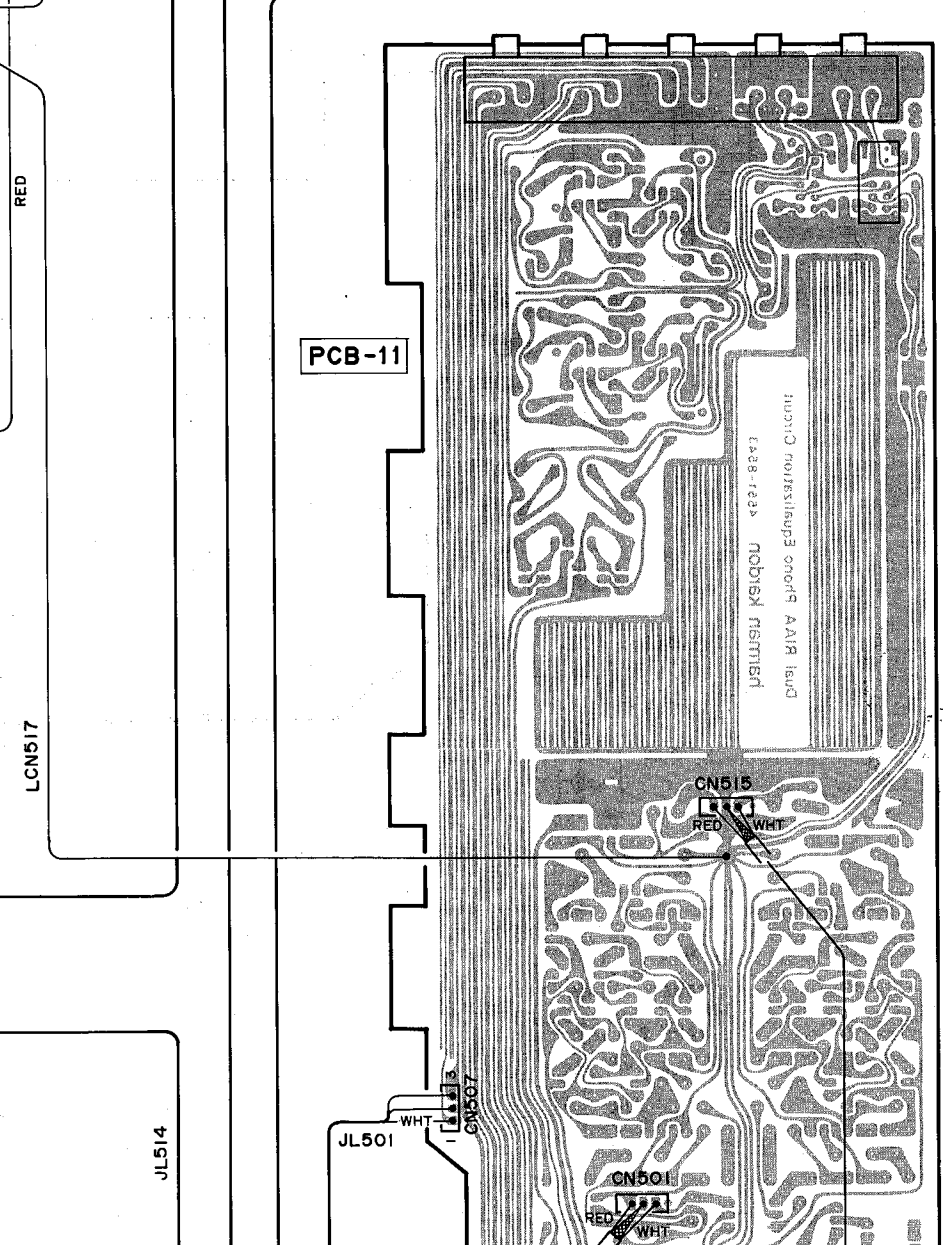
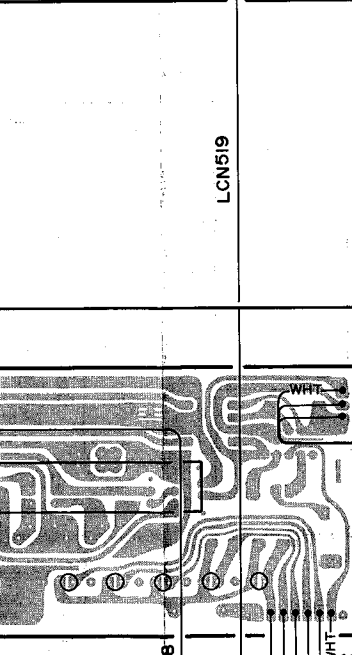
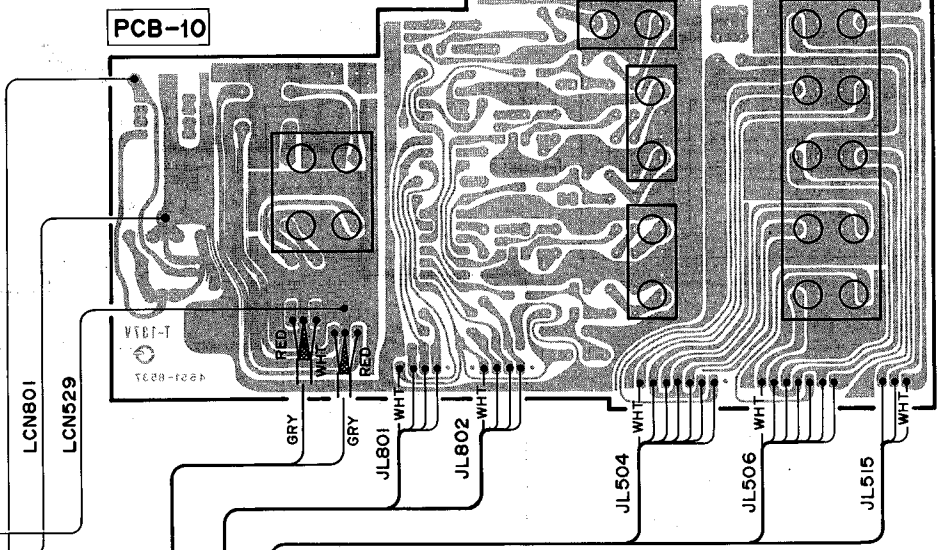
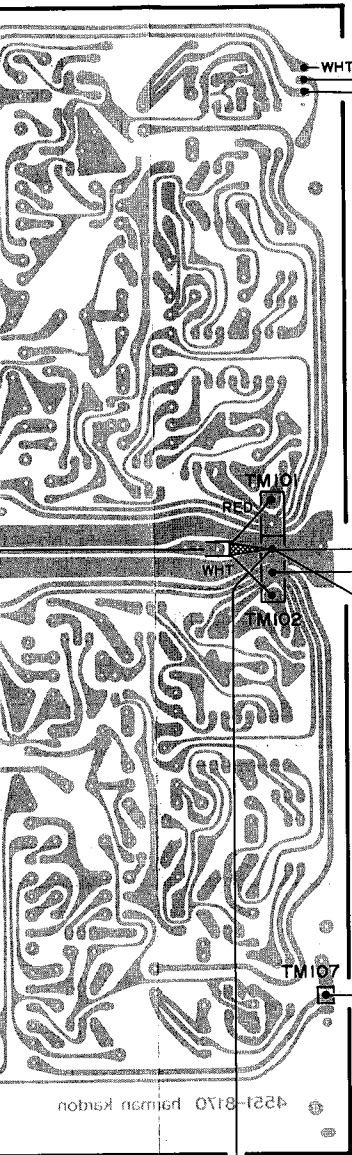
# WIRING DIAGRAM

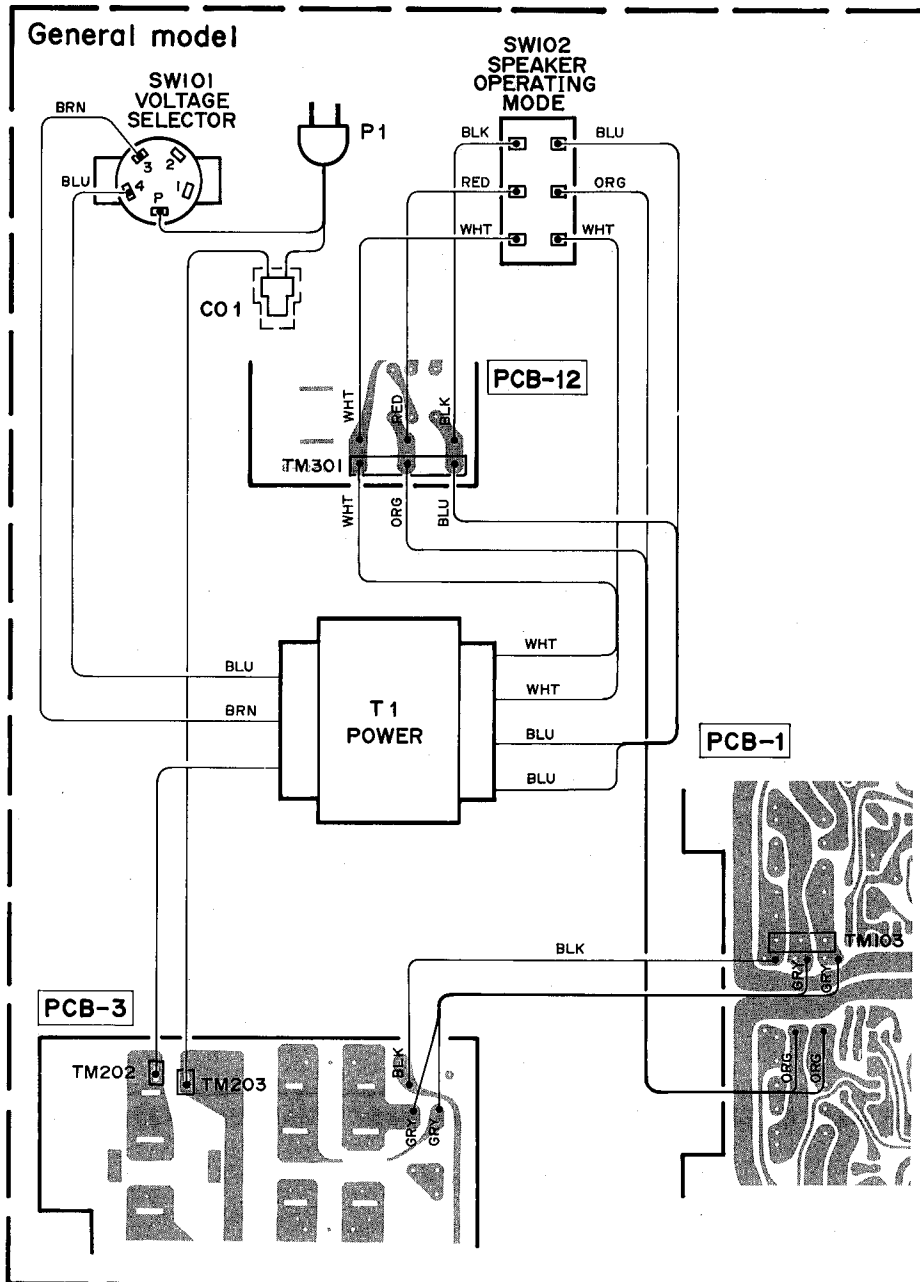
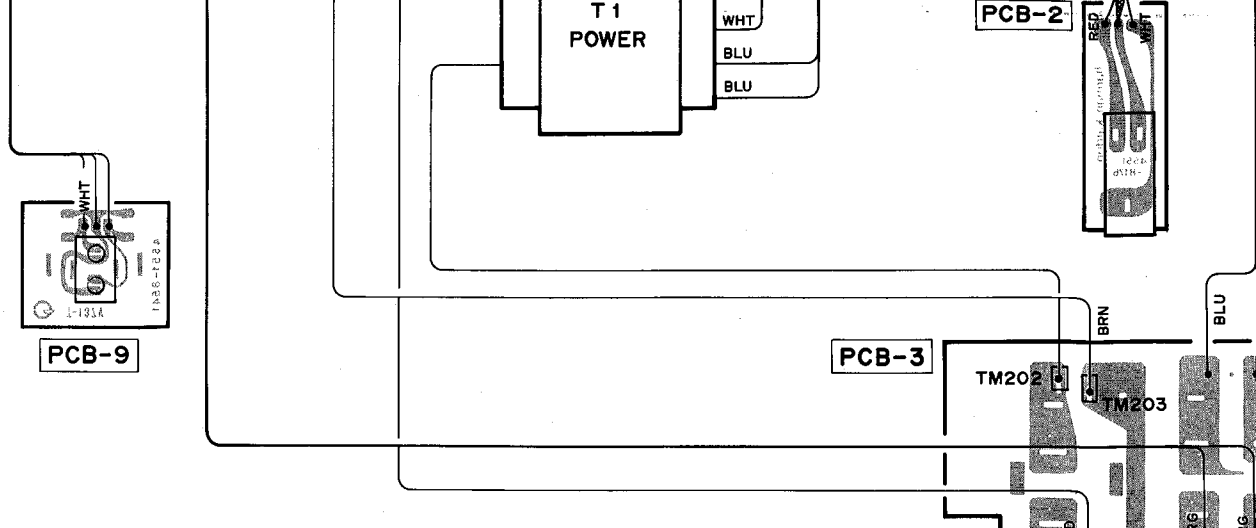
1  
2  
3  
4  
5  
6  
7

A B C D E



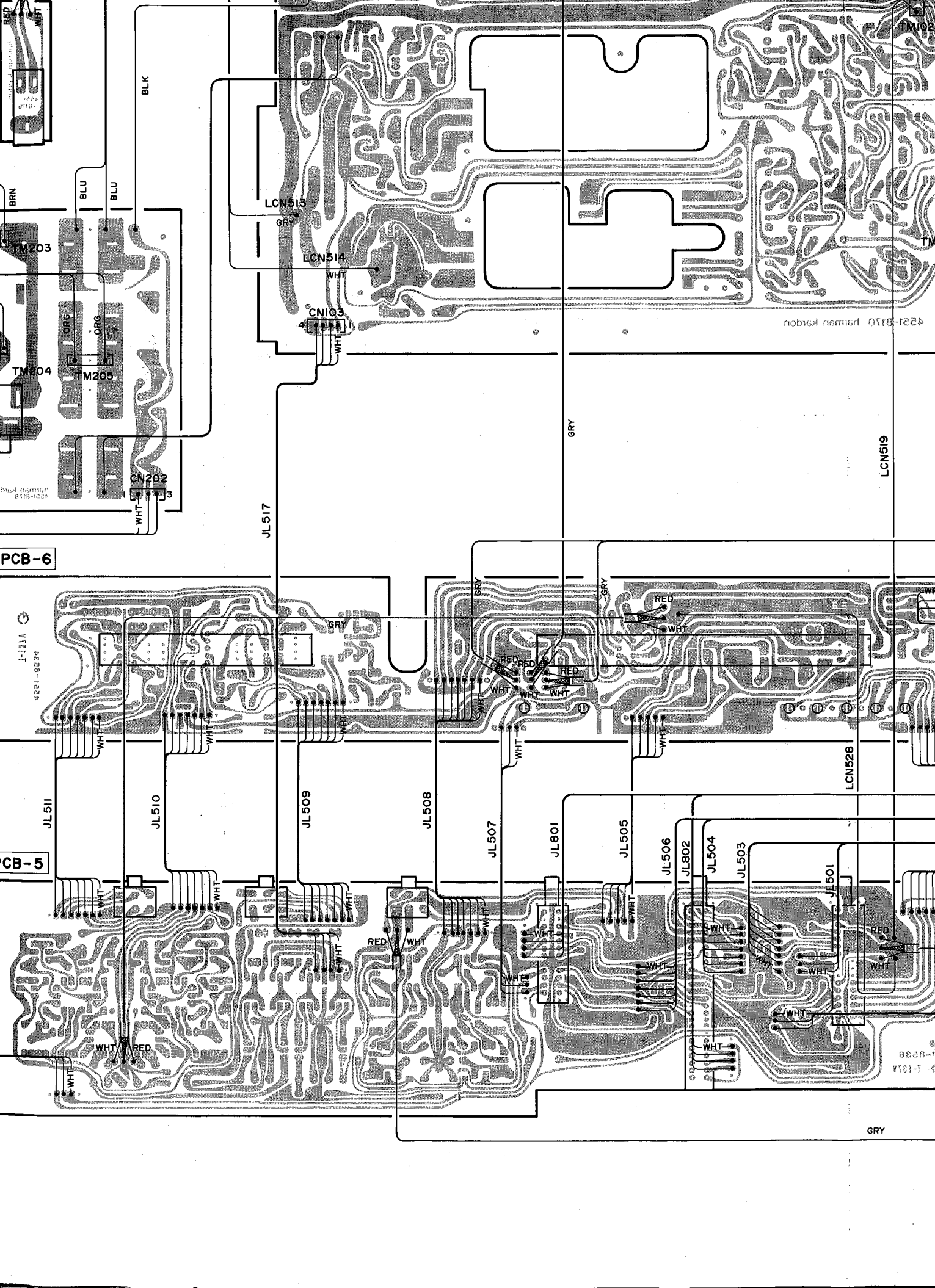






**WIRE COLOR ABBREVIATIONS**

|     |          |     |          |
|-----|----------|-----|----------|
| Red | : RED    | YEL | : Yellow |
| ORG | : Orange | PUP | : Purple |
| BLU | : Blue   | PIK | : Pink   |
| WHT | : White  | GRY | : Gray   |
| GRN | : Green  | BRN | : Brown  |
| BLK | : Black  |     |          |



BLK

BRN

BLU

BLU

TM203

TM204

ORG

TM205

CN202

JL517

LCN518

GRY

LCN51A

WHT

CN103

WHT

WHT

GRY

LCN519

PCB-6

L-121A

4221-8234

JL511

JL510

JL509

JL508

JL507

JL801

JL505

JL506

JL802

JL504

JL503

JL501

CB-5

GRY

GRY

GRY

RED

WHT

RED

WHT

WHT

RED

WHT

WHT

WHT

WHT

WHT

WHT

WHT

WHT

WHT

WHT

WHT

WHT

WHT

WHT

WHT

WHT

WHT

WHT

WHT

RED

WHT

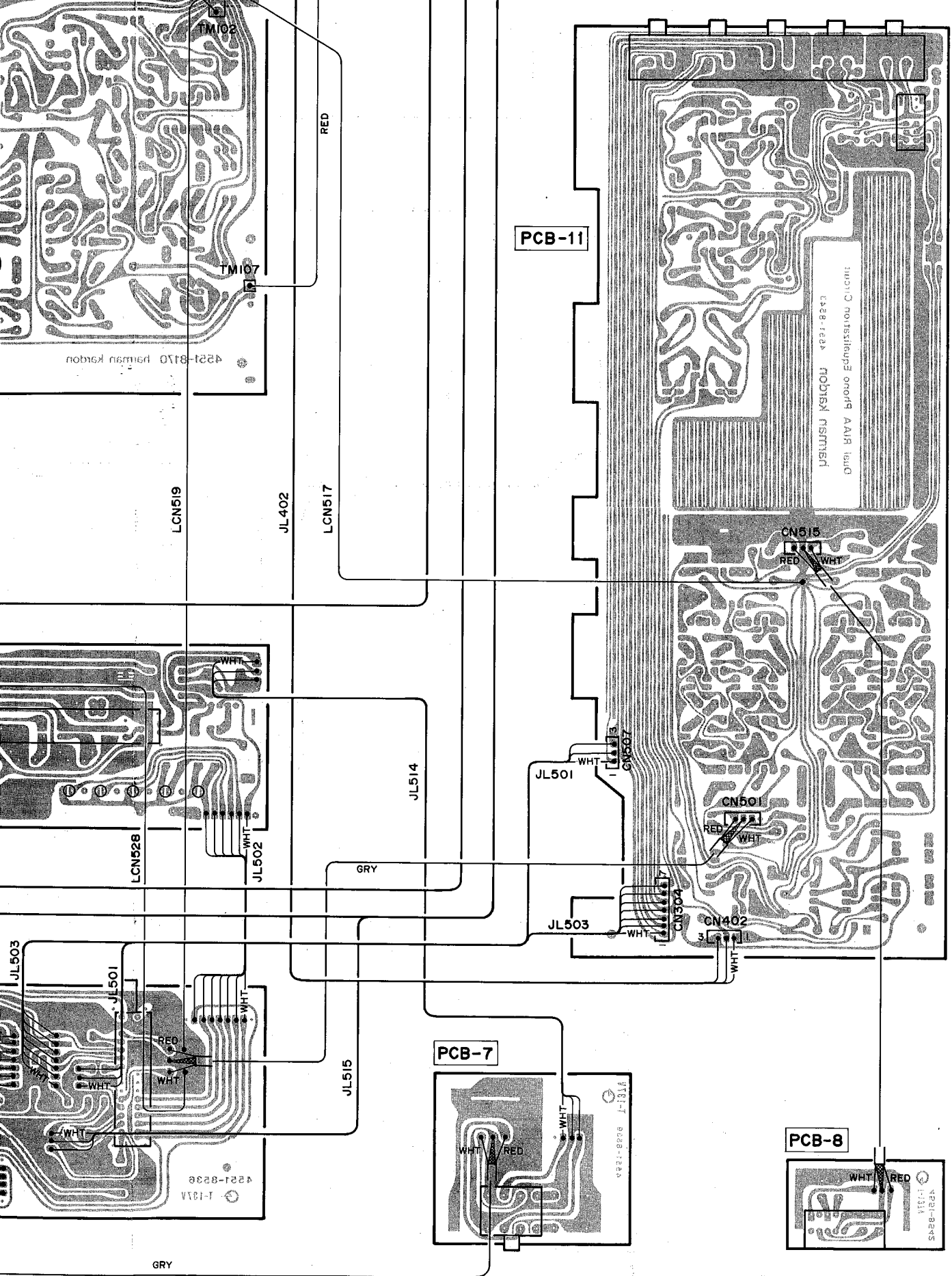
RED

WHT

L-121A

4221-8234

GRY



PCB-11

PCB-7

PCB-8

TM102

TM107

4221-8170 Herman Karton

LCN519

JL402

LCN517

LCN528

JL502

JL514

GRY

JL501

CN507

CN515

RED

WHT

CN501

RED

WHT

CN402

RED

WHT

JL503

CN304

WHT

WHT

JL515

JL503

JL501

RED

WHT

WHT

4221-8236 1-131A

GRY

4221-8236 1-131A

WHT

RED

WHT

WHT

RED

4221-8236 SAB8-1024