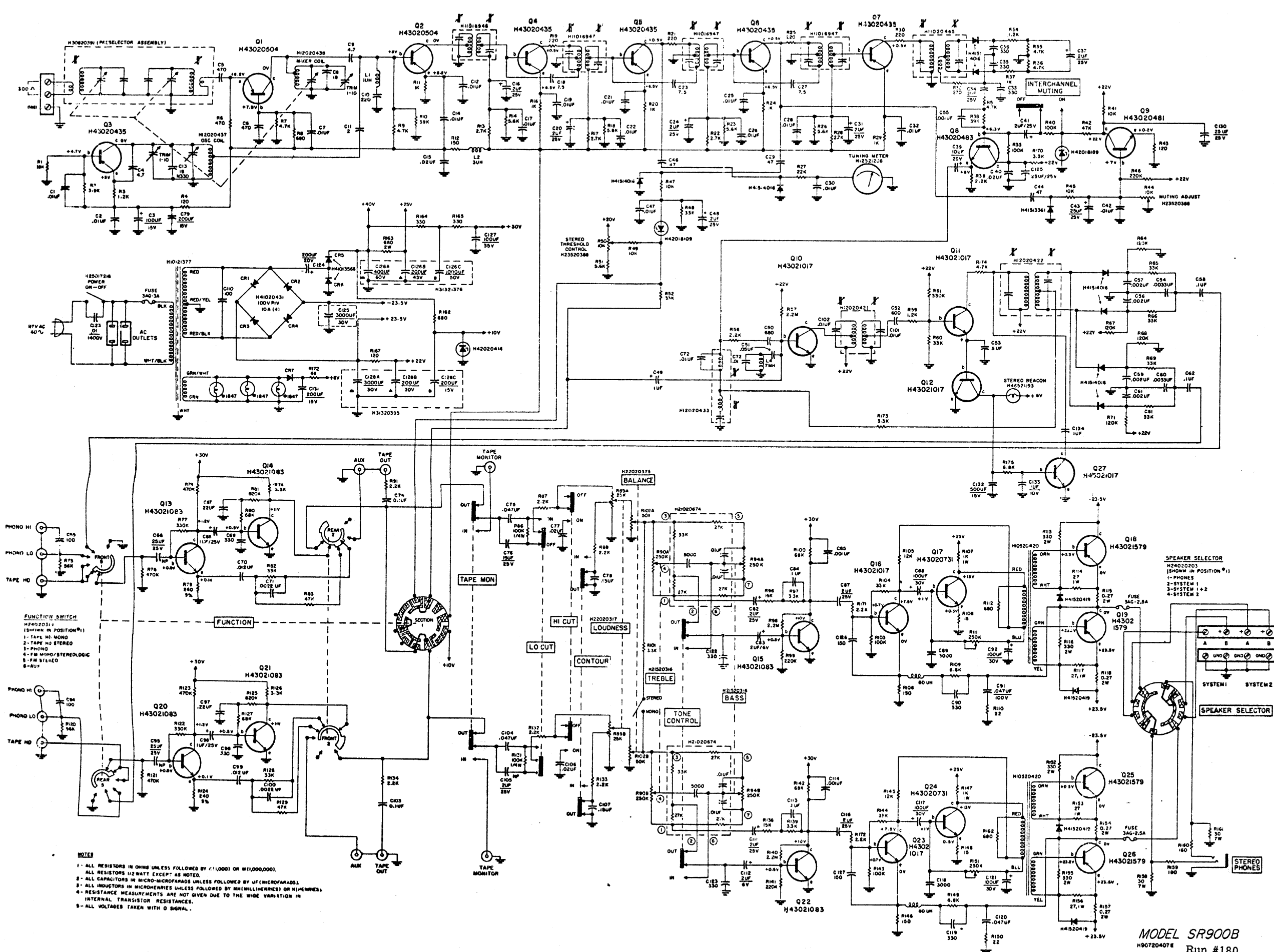


Harmon  
Kardon  
SR900B



- NOTES**
- 1- ALL RESISTORS IN OHMS UNLESS FOLLOWED BY K (1,000) OR M (1,000,000).
  - 2- ALL RESISTORS 1/2 WATT EXCEPT AS NOTED.
  - 3- ALL CAPACITORS IN MICRO-MICROFARADS UNLESS FOLLOWED BY UF (MICROFARADS).
  - 4- ALL INDUCTORS IN MICROHENRIES UNLESS FOLLOWED BY MH (MICROHENRIES).
  - 5- RESISTANCE MEASUREMENTS ARE NOT GIVEN DUE TO THE WIDE VARIATION IN INTERNAL TRANSISTOR RESISTANCES.
  - 6- ALL VOLTAGES TAKEN WITH 0 SIGNAL.

MODEL SR900B  
H90720407E  
Run #180