

**RABCO ST-7**

---

**Straight Line  
Tracking System**

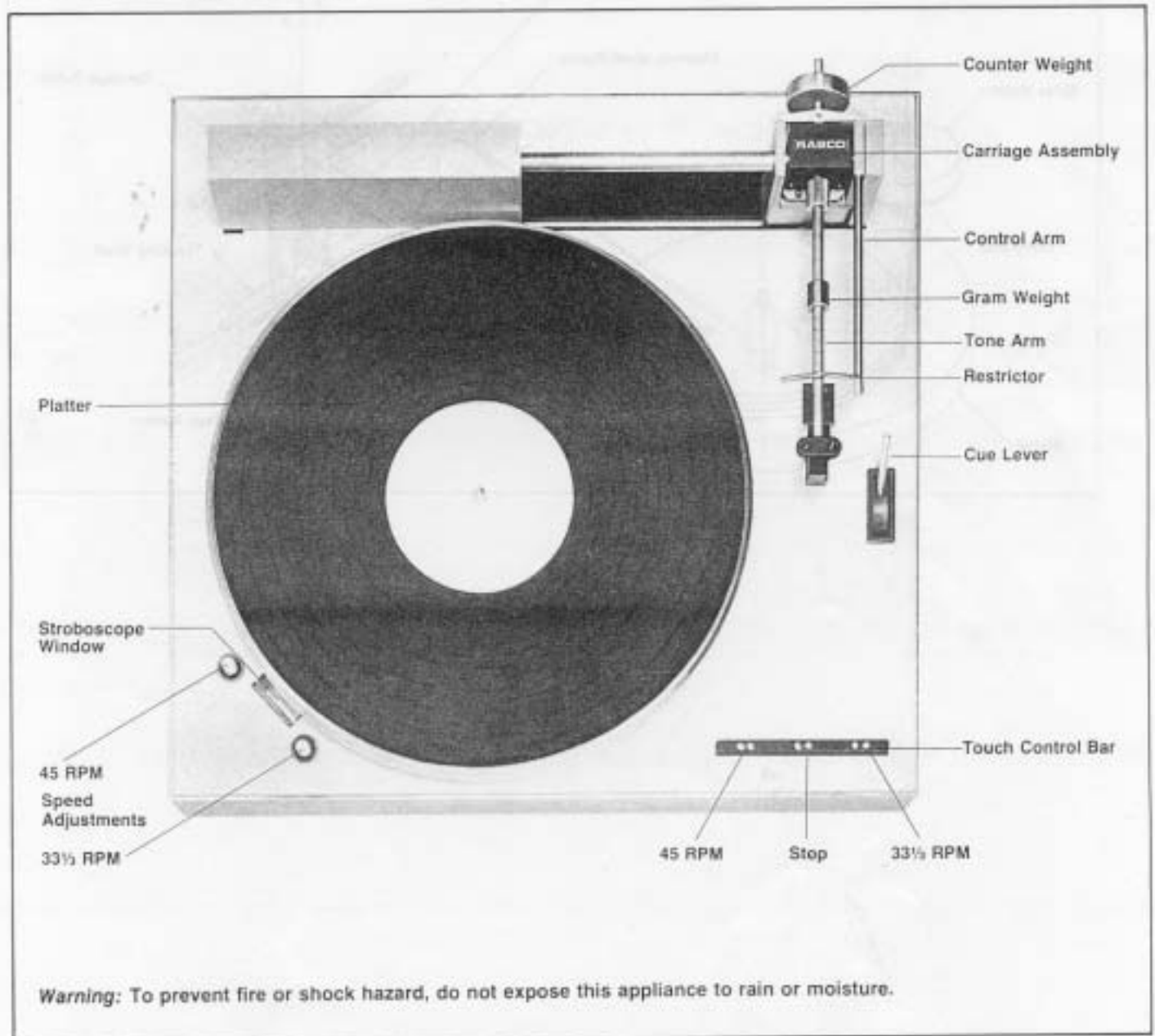
**Technical Manual**

**harman/kardon**

# CONTENTS

- Mechanical Concept
- PC Board Assembly
- Troubleshooting
- Disassembly
- Adjustments
- Parts List

Figure 1. General view of ST-7 turntable

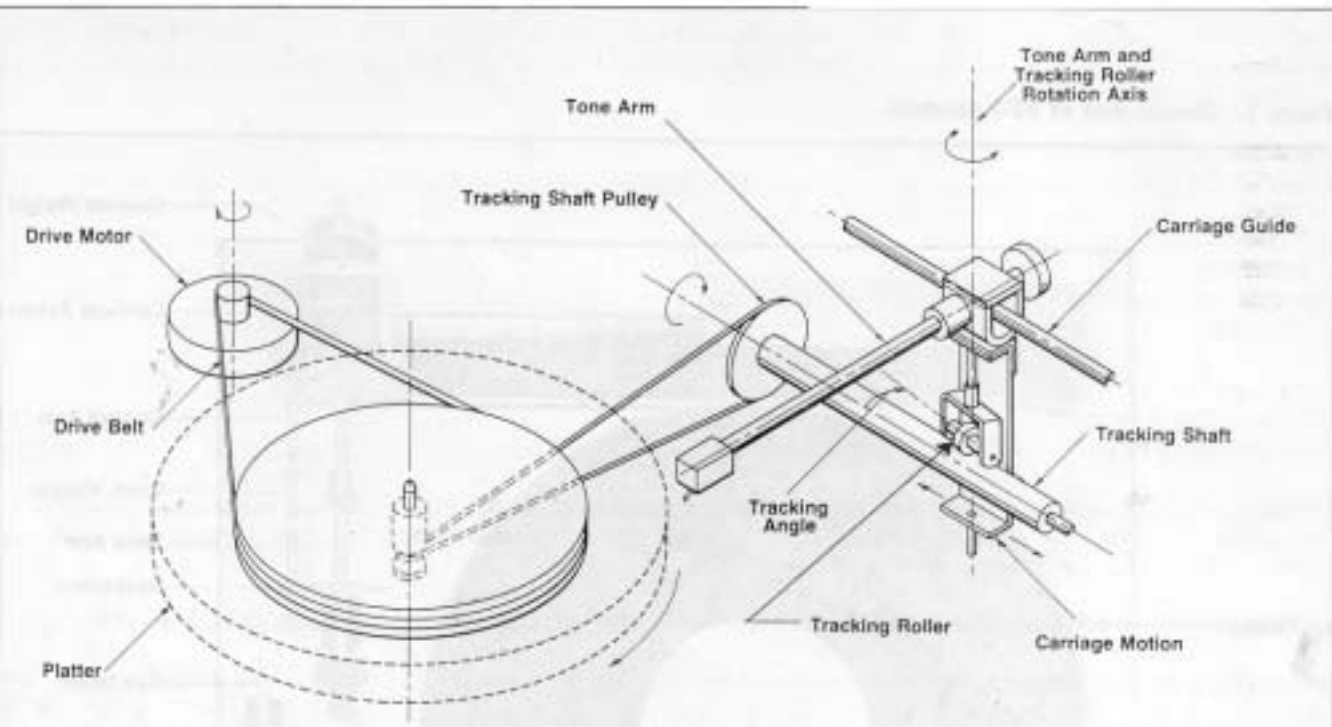


**Warning:** To prevent fire or shock hazard, do not expose this appliance to rain or moisture.

## MECHANICAL CONCEPT

The concept of the ST-7 mechanism is shown in Figure 2. The tone arm is supported in a two-axis gimbal mount. The horizontal axis contains the dashpot – damped stylus elevation mechanism. In the vertical axis the tone arm is supported by a tracking roller that rolls against the tracking shaft. When the tone arm is tangential to the record groove the tracking wheel is biased in angle so that the carriage travels toward the platter center at approximately 0.17 inch per minute. This corresponds to the average velocity of the master disc. As the tone arm attempts to pivot in angle to track pitch variations, the angle of the tracking roller axis changes relative to the cylinder axis. This change in direction of the tracking roller accelerates or decelerates the motion of the carriage to track the pitch of the groove. The correction is continuous, self-adjusting, and automatic.

FIGURE 2. TRACKING AND DRIVE SCHEMATIC



## II PRINTED CIRCUIT BOARD

The ST-7 is activated by turning on power switch S2 located under the front edge of the unit. This provides primary voltage to the power supply, enabling voltage to the motor assembly, and 9 volts to the transistor circuits. The red stop lamp will be illuminated since emitter follower Q5 is conducting in stop mode. Buffer Q6 also conducts, which disables motor drive switch Q7. In addition Q21 will conduct in stop mode, which will inhibit Q22 and, thereby, eliminate a ground return for trip solenoid L1. Also, on initial turn-on stop mode transistors, Q11 and Q12 will conduct since the emitters are at 9 volts and the bases initially at ground through C1 and C2. This causes bistable switch transistor Q2 and Q9 to conduct, ensuring that both 33-1/3 and 45 RPM circuits are in stop mode.

In addition, the red stop lamp will be illuminated. With the bases of Q2 and Q9 positive, there will be no current flow through diodes CR2 and CR3. As a result the base of stop lamp driver Q5 will be positive and it will conduct, and stop lamp DS2 will light. When Q5 conducts it will also cause buffer Q6 to conduct, driving the base of motor driver switch Q7 to ground. Since the emitter is at ground Q7 will not conduct, and no return will be provided for motor drive voltage at pin 15 of the board.

Since the 33-1/3 and 45 RPM start circuits are essentially identical, only 33-1/3 RPM will be discussed. The basic 33-1/3 start circuit is comprised of buffer Q1 and bistable switch comprised of Q2 and Q3. When the 33-1/3 touch control is shorted by finger contact, it grounds the base of Q1 causing it to conduct. This places a positive voltage on the base of bistable switch Q3 which, in turn, conducts, providing a return for the green 33-1/3 RPM lamp, DS3. In addition the current flow through diode CR2 inhibits stop lamp driver Q5, which extinguishes the red stop lamp and causes buffer Q4 to conduct. When Q4 conducts it enables IC1 which closes providing a return for the 33-1/3 RPM motor drive at pin 7 of the board.

The end of record function operates as follows:

Q19 and Q20 function as a single pole double throw switch, the action of which provides one second of activating voltage to the solenoid when the trip function is initiated.

When the unit is turned on, light from DS1 impinges on photocell V1, reducing the resistance to several thousand ohms. This places voltage on the base of Q18, which conducts, causing Q17 to conduct. When Q17 conducts, the positive voltage at the base of Q19 causes it to conduct, charging capacitor C5.

At the end of a record the photocell interrupter breaks the light path to V1, which rapidly increases in resistance.

Accordingly the supply current to the base of Q18 is reduced, and it no longer conducts. This inhibits Q17, and the bases of Q19 and Q20 are effectively grounded. With its base grounded and Q19 inhibited, Q20 conducts because of the positive charge on C5. For approximately one second, 9 volts which C5 was charged to is applied through Q20 to the base of Q22, which conducts. This provides a return circuit for the solenoid, which is activated for one second. The solenoid plunger moves the trip pin which engages the tracking shaft gear assembly. The gear assembly is connected to the cue lever linkage, and returns the cue lever to the rear position.

### III TROUBLESHOOTING (Refer to Figures 3 and 11)

#### Conditions

1. When the arm is cued to the "up" position, the arm does not nestle all the way up into the notch of the restrictor arm
2. With the arm "up" the carriage assembly does not move freely enough from left to right.
3. When the arm is cued "down", the stylus does not reach the surface of the record.
4. When the arm is cued "down", an initial fast drop occurs before the damping action takes place.
5. When the arm is cued "down", no damping takes place at all. Arm drops hard and quickly to the record surface.
6. Extreme drift of tone arm as it comes down on the record.

#### Possible Cause & Corrective Measures

1. a. Stop bar screw not properly adjusted or loose. Refer to stop bar screw adjustment procedure.  
b. Gap between threaded lift pin and lift bracket too large. Refer to threaded lift pin adjustment.  
c. Incorrect position of dashpot stud. Refer to dashpot adjustment.
2. a. Insufficient gap between threaded lift pin and lift bracket. Refer to threaded lift pin adjustment.  
b. Dirt build up under slide tube bushings. Clean slide rod and bushing area with alcohol.  
c. Stop bar set screw too loose. Refer to stop bar set screw adjustment.
3. a. Pivot pin on pivot bracket (139) dirty or excess grease. Clean.  
b. Stop bar set screw adjusted too far down so that it prevents the roller assembly from allowing the tone arm to drop to the correct position. Refer to stop bar set screw adjustment.
4. a. Dashpot adjustment wrong causing a space between the tip of the dashpot plunger and the lift bracket surface. Refer to dashpot adjustment.  
b. Threaded lift pin adjusted for too much air gap between the lift pin and the lift bracket. Refer to threaded lift pin adjustment.  
c. Stop bar set screw set incorrectly. Refer to stop bar set screw adjustment.
5. a. Defective dashpot—Replace dashpot.  
b. Dashpot set all the way up to the full height of the mounting stud. Refer to dashpot adjustment.
6. a. ST-7 not on a level surface.  
b. Uneven tip on stop bar set screw. Replace screw or use emery cloth to make tip of screw smooth.  
c. Uneven surface on top of roller assembly rear flat surface. Make surface smooth by using very fine emery cloth.  
d. Binding in pivot bracket assembly at bearing points. Lubricate nylon bearings with molykote 33 or equivalent.  
e. Slide tube flat surface not correctly positioned inside roller assembly. Remove top cap of roller assembly and observe that flat portion of the slide tube is vertical facing the front of the unit. To reposition, remove the 2 rear screws holding the stop bar, loosen the 2 set screws, rotate the slide tube to the proper position and retighten the set screw. Reassemble the stop bar.

### III TROUBLESHOOTING (continued)

| Conditions  | Possible Cause & Corrective Measures  |
|---|---|
| 7. As arm tracks across record, arm starts to "lead" the carriage.  | 7. a. Mis-adjustment of tracking screw. Turn screw clockwise in very small increments until proper tracking occurs. Tighten locking nut and recheck for proper tracking.<br>b. Mis-adjustment of carriage guide. See carriage guide alignment.<br>c. Threaded lift pin adjusted with no air gap between the lift pin and the lift bracket. See threaded lift pin adjustment.  |
| 8. As arm tracks across record, arm starts to lag behind carriage.  | 8. a. Mis-adjustment of tracking screw. Turn screw counterclockwise in very small increments until proper tracking occurs. Tighten lock nut and recheck for proper tracking.<br>b. Tracking roller Spring (149) broken or one end disconnected.   |
| 9. Arm lifts and unit returns to "stop" mode before record material has been completely played.                             | 9. a. Check tracking—if arm is "leading" the carriage, reset tracking as per step 7a.<br>b. Check position of photocell receptacle—refer to tripping adjustments.<br>c. Check for defective bulb located over Photocell.<br>d. Check sensitivity adjustment of Photocell.<br>e. Check for correct position of bulb over photocell housing.  |
| 10. Arm gets to end of record but does not lift off and unit does not switch to "stop" mode.                                | 10. a. Check tracking—if arm is "lagging" the carriage; reset tracking as per step 8.<br>b. Check for solenoid "click" when arm enters reject record grooves. If no "click" is heard, check solenoid, photocell, and tripping adjustment. If click is heard, check solenoid position adjustment and micro-switch adjustment.  |
| 11. Arm gets to end of record and lifts up but the unit does not switch to "stop" mode.                                     | 11. a. Micro-switch incorrectly positioned. Refer to micro-switch adjustment.<br>b. Micro-switch defective—replace micro-switch.  |
| 12. Arm gets to end of record and lifts off record but does not return all the way up into the notch in the restrictor arm. | 12. a. Insufficient tension for the tone arm caused by too large a gap between the threaded lift pin and the lift bracket. Refer to threaded lift pin adjustment.<br>b. Restrictor arm incorrectly positioned. Refer to restrictor arm adjustment.<br>c. Stop bar set screw too loose. Refer to stop bar set screw adjustment.  |
| 13. Unit tracks poorly and jams tripping gears—particularly after being disassembled for service.                           | 13. "O" ring installed with reversed twist. Install "O" ring so that as the spindle and bearing assembly is turned clockwise, the tracking shaft rotates clockwise as viewed from the tracking gear end.  |
| 14. Scraping noise heard when platter is running.   | 14. a. Turntable belt rubbing against the belt restrictor (on some units) due to the belt riding on the edges of the motor pulley. Carefully reposition the belt to the center of the motor pulley while slowly manually turning the platter.<br>b. Turntable belt twisted. Carefully remove the belt and re-install properly with the shiny side of the belt out.<br>c. Motor not properly positioned. Refer to motor alignment. |

### III TROUBLESHOOTING (continued)

| Conditions   | Possible Cause & Corrective Measures  |
|--|---|
| 15. Cannot synchronize strobe at 33 1/3 RPM or at 45 RPM.  | 15. a. Turntable belt riding on shoulder of motor pulley. Reposition belt to the center area.<br>b. Strobe mask may be covering wrong portion of strobe mirror for line voltage used. For 50 hz, mask should be on outer edge of the mirror. For 60 hz, mask should be on inner edge of mirror.<br>c. Coarse speed control incorrectly set. Refer to coarse speed adjustment.<br>d. Defective coarse speed control. Replace.<br>e. Green or blue lamp defective. Replace. |
| 16. Cannot synchronize 33 1/3 RPM.   | 16. Blue (45 RPM) lamp defective. Replace.  |
| 17. Cannot synchronize 45 RPM.   | 17. Green (33 1/3 RPM) lamp defective. Replace.   |
| 18. Excessive "Wow and Flutter."   | 18. a. Turntable belt twisted, worn or with rough spots. Replace or reposition belt.<br>b. Motor binding. Replace motor.<br>c. Tracking shaft binding. Loosen tracking shaft pulley wheel and reposition for more end play.<br>d. Defective "O" ring. Replace.<br>e. Nick on-tracking shaft pulley. Polish with very fine emery paper.  |
| 19. Excessive "rumble."  | 19. a. Nylon set screws too tight against motor housing. Refer to motor alignment.<br>b. Defective motor. Replace   |
| 20. Arm intermittently does not return to notch in restrictor arm. Also binding of carriage left to right. | 20. Slide tube flat area not properly positioned. Refer to step 6e.   |
| 21. Loss of L or R channel.  | 21. a. Defective cartridge.<br>b. Open (broken) or shorted wires between receptacle on roller assembly and output cables. Check continuity of all 4 wire paths.   |
| 22. Hum  | 22. Broken circuit in ground path. Scrape through anodize on underside of cartridge holder, and check continuity between receptacle shell and chassis.  |
| 23. Hum pick up as hand goes near arm. Static audible as carriage is moved manually from left to right.    | 23. Loose knurled nut on tone arm. Tighten by hand as securely as possible.   |
| 24. Unit does not light up.  | 24. a. Blown fuse. Check power supply components.<br>b. Check that AC master switch is "on."  |
| 25. Unit starts but shuts off immediately.   | 25. a. Trip pin positioned incorrectly. Refer to micro-switch position adjustment.<br>b. Check photo cell sensitivity adjustment.   |

TROUBLESHOOTING (continued)

| Conditions   | Possible Cause & Corrective Measures   |
|--|--|
| 26. Platter wobble.  | 26. a. Check for defective platter.<br>b. Check for defective post and hub assembly.   |
| 27. Unit changes speed while playing record.                                 | 27. Check power supply regulation.   |
| 28. Cueing lever works but arm won't drop.                                   | 28. a. Improperly balanced arm—no zero balance.<br>b. Extension spring (112) off.<br>c. Insufficient gram weight.  |
| 29. Acoustic feedback.   | 29. a. Check all four feet; three are soft and one hard rubber. Hard rubber foot must be under power transformer.<br>b. Check unit is level.<br>c. Check for close proximity of speaker. |
| 30. Chattering or scraping as carriage is moved with arm up.                 | 30. Indentation in teflon tape on lift bracket (104). Replace tape.  |
| 31. Binding or squeaking as carriage is moved with arm up.                   | 31. Slide tube set screws (193) too tight. Remove stop bar, to obtain access to set screws. Loosen set screws slightly. Set screws should be firm but should not bind on slide tube.     |
| 32. Unit will not shut off with certain records.                             | 32. Excessive or insufficient lead out groove area; leadout beyond NAB standards.  |
| 33. High frequency content of program material sounds excessively brilliant. | 33. Cable capacitance needs to be matched more closely to cartridge. Refer to cable capacitance matching in adjustment section. ST-7 cable capacitance is 80 pf.                         |
| 34. Strobe mirror scratched or broken.                                       | 34. Replace mirror by cementing new mirror directly on defective one.  |



#### IV DISASSEMBLY PROCEDURE

To service various portions of the ST-7, it may be necessary to partially or fully disassemble the unit. For purposes of explanation, we will identify these as four stages of disassembly. For each adjustment, we will specify which stage or stages of disassembly are required to accomplish the repairs or adjustments.

- STAGE 1 – REMOVAL OF PLATTER AND MAIN DRIVE BELT
- STAGE 2 – REMOVAL OF TOP PLATE, FRONT
- STAGE 3 – REMOVAL OF LEFT HAND COVER AND TOP PANEL, REAR
- STAGE 4 – REMOVAL OF SIDE WALL

**A WORD OF CAUTION . . .** The items described are ALL dress pieces and have been finished to provide a high quality aesthetic appearance.

**EXTREME CARE** should be taken when removing, storing, or replacing these parts to avoid scratching or damaging their appearance.

- STAGE 1 – REMOVE dress disc, spring washer and retainer ring. Remove platter and main drive belt.
- STAGE 2 – Remove entire tone arm assembly from carriage, remove two screws holding top front panel in place (These are two different screws, note their positions so they may be properly re-installed), remove top front panel.
- STAGE 3 – Remove two screws and then left hand cover, remove two panel screws and then rear top panel.
- STAGE 4 – Remove six screws from the bottom and then the entire side wall as an assembly.

## V ADJUSTMENTS

Figure 3 shows the ST-7 after all four stages of disassembly. The callouts represent location of adjustments that will be referred to in the following paragraphs. It is recommended that you familiarize yourself with the location of these adjustments.

For some adjustments supplementary line drawings are included with the actual procedure, to provide greater clarity.

Adjustments included are:

1. Stop Bar Set Screw
2. Dashpot
3. Threaded Lift Pin
4. Tracking Screw
5. Tripping
6. Carriage Guide
7. Solenoid Position
8. Microswitch Position
9. Photocell Sensitivity
10. Motor Alignment
11. Coarse Speed Adjust
12. Restrictor Arm
13. Conversion of ST-7 Multivoltage Units
14. Cable Capacitance Matching
15. Carriage Assembly Removal.

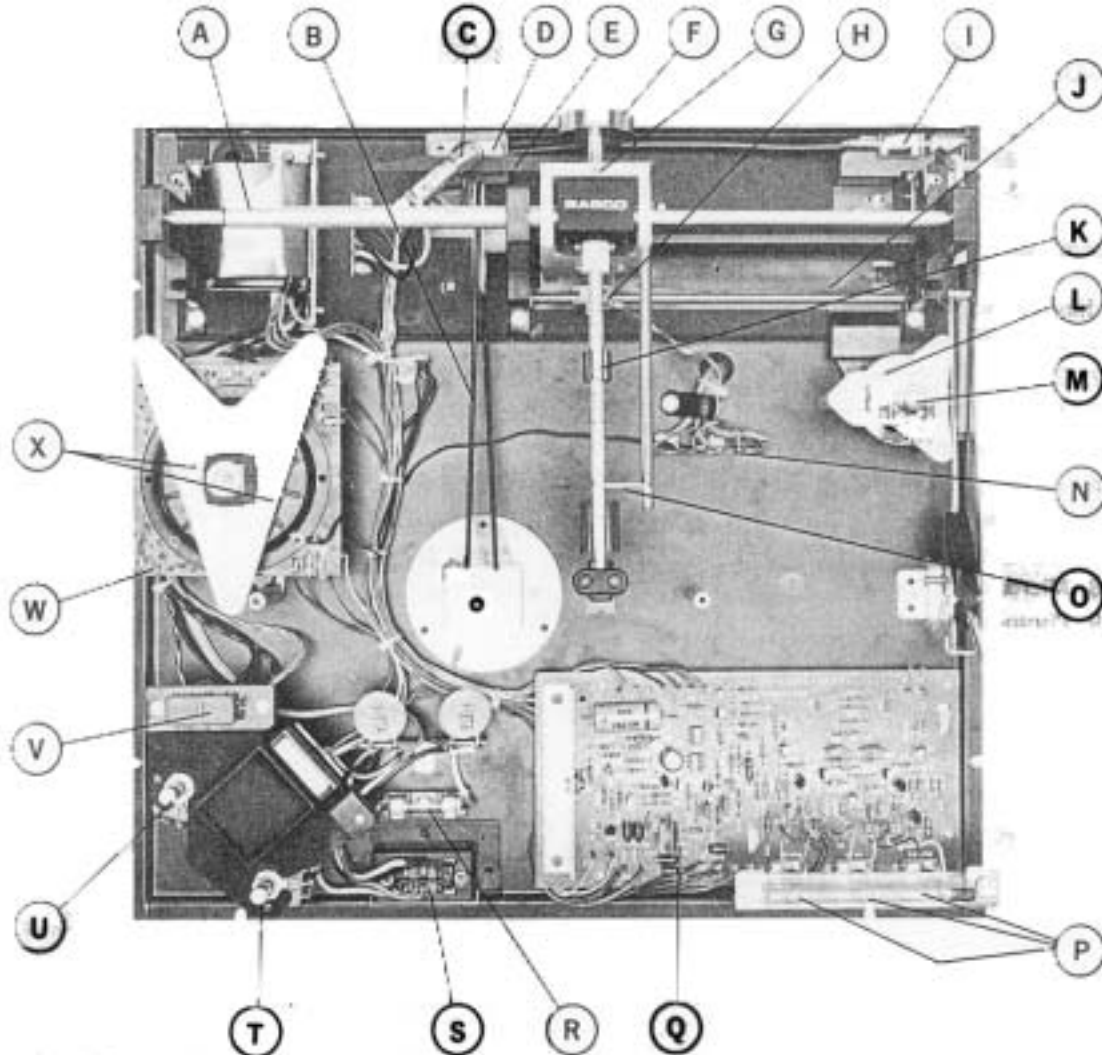


FIGURE 3. TOP VIEW WITH STAGES 1 THRU 4 OF DISASSEMBLY

FIGURE 3 LEGEND

|   |   |                                  |   |
|---|---|----------------------------------|---|
| Carriage Guide                              | H | Photocell Interrupter            | E |
| Coarse Speed Adjustment                     | W | Photocell Lamp                   | C |
| Counterweight                               | F | Photocell Sensitivity Adjustment | Q |
| Dashpot                                     | L | Power Switch                     | S |
| Dashpot Locknut                             | M | Restrictor Arm                   | O |
| Fuse  | R | Solenoid                         | I |
| Gram Weight                                 | K | Stop Bar Set Screw               | G |
| Lift Bracket                                | J | Terminal Strip TBI               | N |
| Motor Alignment Screws                      | X | Touch Controls                   | P |
| Multivoltage Plug (non-Domestic Units only) | V | Tracking Belt                    | B |
| Photocell Assembly                          | D | Transformer                      | A |
|   |   | 33 1/3 RPM Speed Adjust          | T |
|   |   | 45 RPM Speed Adjust              | U |

# 1. STOP BAR SET SCREW

## A. Reason For Adjustment

In order to allow the arm to drop sufficiently far enough down to allow the preset weighting to apply and allow the arm to track. (Refer to Figures 1 and 4.)

## B. Pre-Condition for Adjustment

Arm must be installed with cartridges and be properly adjusted for balancing and gram weight.

## C. Required Disassembly

None

## D. Method of Adjustment

With cue lever positioned for the arm to be in the "down" position, the set screw is adjusted to permit the lower surface of the cartridge (next to the stylus) to just reach the top surface of the metal platter (not mat or record).

\*WITH TONE ARM CUED DOWN ON RECORD.

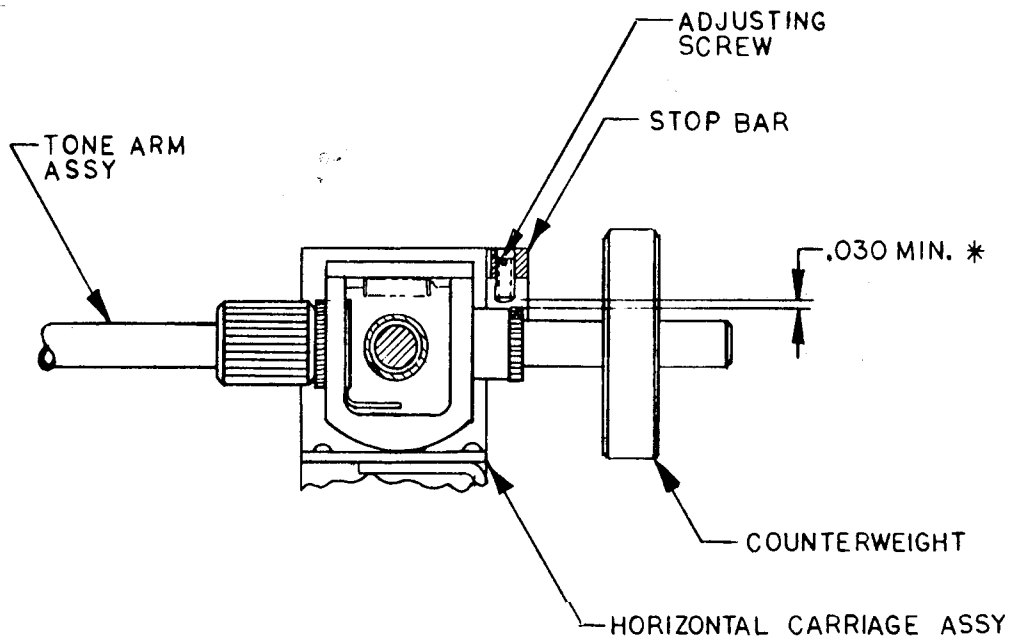


FIGURE 4. TONE ARM CUE LIFT ADJUSTMENT

## 2. DASH POT

### A. Reason for Adjustment

To permit the arm to lower itself slowly to the record surface when the cue lever is moved downward rapidly. (Refer to Figure 3.)

### B. Pre-Condition for Adjustment

None

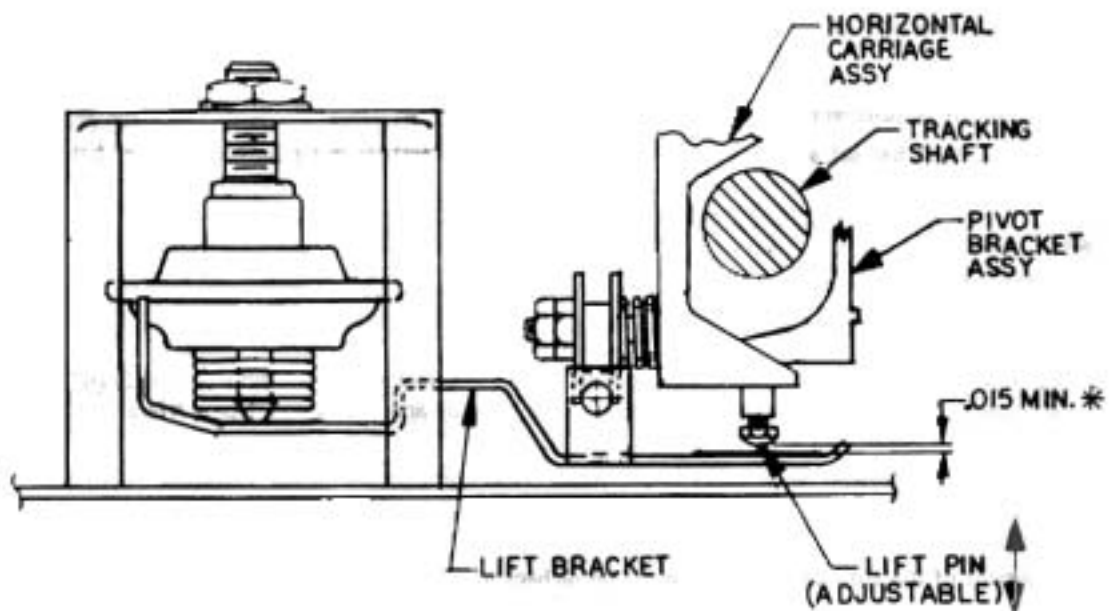
### C. Required Disassembly

Stage 1 and 2

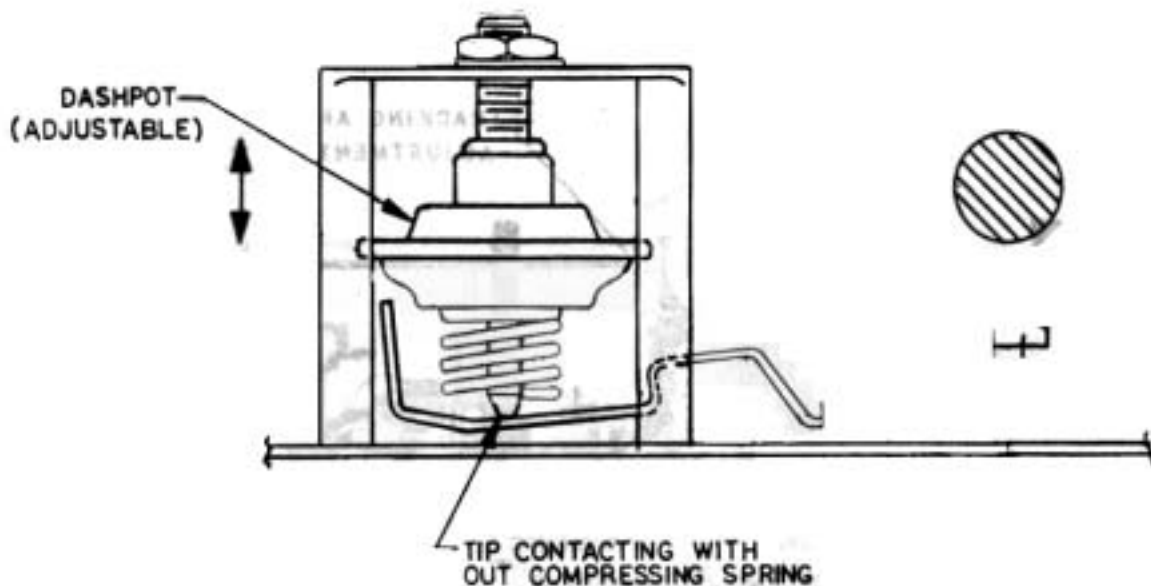
### D. Method of Adjustment

With the arm cued to the "up" position, loosen the locking nut on the dash pot stud. Turn the entire dash pot counter-clockwise until there is a large gap between the dash pot plunger and the top surface of the lift plate. Then adjust the dash pot clockwise until the plunger is snug against the lift plate surface. (Refer to Figure 5.) Hold the body of the dash pot and secure the locking nut to hold in place.

\* GAP MUST BE MAINTAINED FOR COMPLETE TRAVEL OF CARRIAGE



B. CUED DOWN PLAYING POSITION



A. CUED UP POSITION

FIGURE 5. TONE ARM LIFT ADJUSTMENTS

### 3. THREADED LIFT PIN ADJUSTMENT

#### A. Reason for Adjustment

To allow for a clearance between the lift pin and the lift plate surface in the arm "down" position so that tracking will occur as a function of the tracking roller and the tracking wheel touching each other properly. (Refer to Figure 6.)

#### B. Pre-Condition for Adjustment

The dash pot, stop bar set screw, and the carriage guide adjustments must be properly set before adjusting the lift pin.

#### C. Required Disassembly

Stages 1 through 4

#### D. Method of Adjustment

With the arm "down" on the surface of a record, adjust the threaded lift pin with a small 3/16" open end wrench to produce a very slight air gap between the head of the lift pin and the teflon tape surface of the lift plate. This gap should be approximately .020 inches.

After adjustment, the arm, when cued "up", must cradle properly into the restrictor arm notch and the carriage should move freely from left to right in the arm "up" position. A very tight left to right action would indicate insufficient gap between the lift pin and the lift plate.

The adjustment of the stop bar set screw must be rechecked after setting the lift pin adjustment.

#### SPECIAL NOTE:

The gap between the lift plate and the lift pin while typically .020 can vary from unit to unit. The gap can be made smaller if necessary to achieve the following:

1. Free lateral movement of carriage in the arm "up" position.
2. Arm must remain cradled in the restrictor notch as the carriage is moved left to right with the arm "up."
3. A gap is visible between the lift pin and lift plate at the extreme ends of the left and right carriage position with the arm in the "down" position.

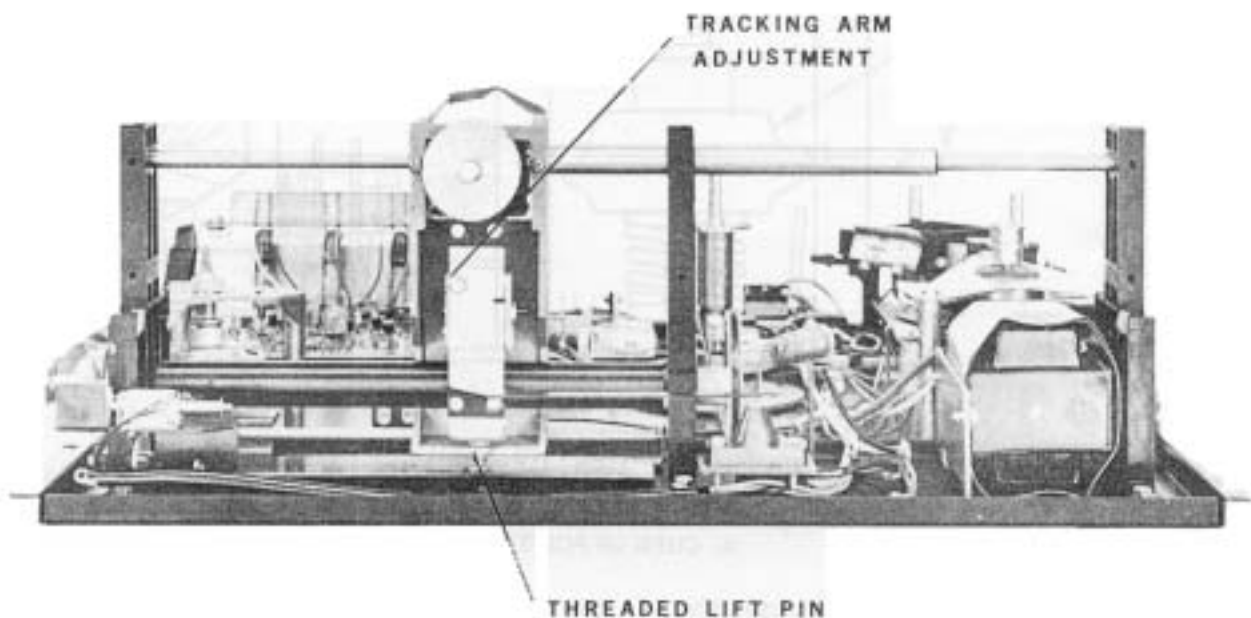


FIGURE 6. THREADED LIFT PIN AND TRACKING ADJUSTMENTS

## 4. TRACKING SCREW ADJUSTMENT

### A. Reason for Adjustment

To correct any leading or lagging of the tone arm with respect to the carriage assembly. (Refer to Figure 6.)

### B. Pre-Condition for Adjustment

The following adjustments must have been completed; dashpot, threaded lift pin and stop bar setscrew; the tone arm must be balanced and properly weighted.

### C. Required Disassembly

None

### D. Method of Adjustment

Set the tone arm down on a commercial record turning at 33-1/3 RPM. Allow the arm to travel across approximately 1" of the record. Observe if the arm is leading or lagging the carriage by reference to the restrictor arm. If the arm is leading, the screw must be turned clockwise. If the arm is lagging, the screw must be turned counter-clockwise. After each adjustment, the arm must be observed for the 1" travel as previously described. When the arm is tracking properly, it should be checked across an entire 33-1/3 12" record to determine if any accumulated lead or lag occurs. Correct the adjustment if necessary.

Care must be taken to lock the tracking screw with the 4-40 nut upon completion of tracking.

### CAUTION

Carefully hold the tracking screw in place before tightening the nut so the final position of the screw is not altered. Repeat tracking check after lock nut is secured.

## 5. TRIPPING ADJUSTMENTS

### A. Reason for Adjustment

To ensure that trip function operates properly at the end of a record.

### B. Pre-Condition for Adjustment

Tracking adjustments must be complete before attempting to adjust the tripping. The lamp bracket and shield must be checked to ensure that the bulb is directly over the photocell receptacle opening. The arm when cued down must drop straight down.

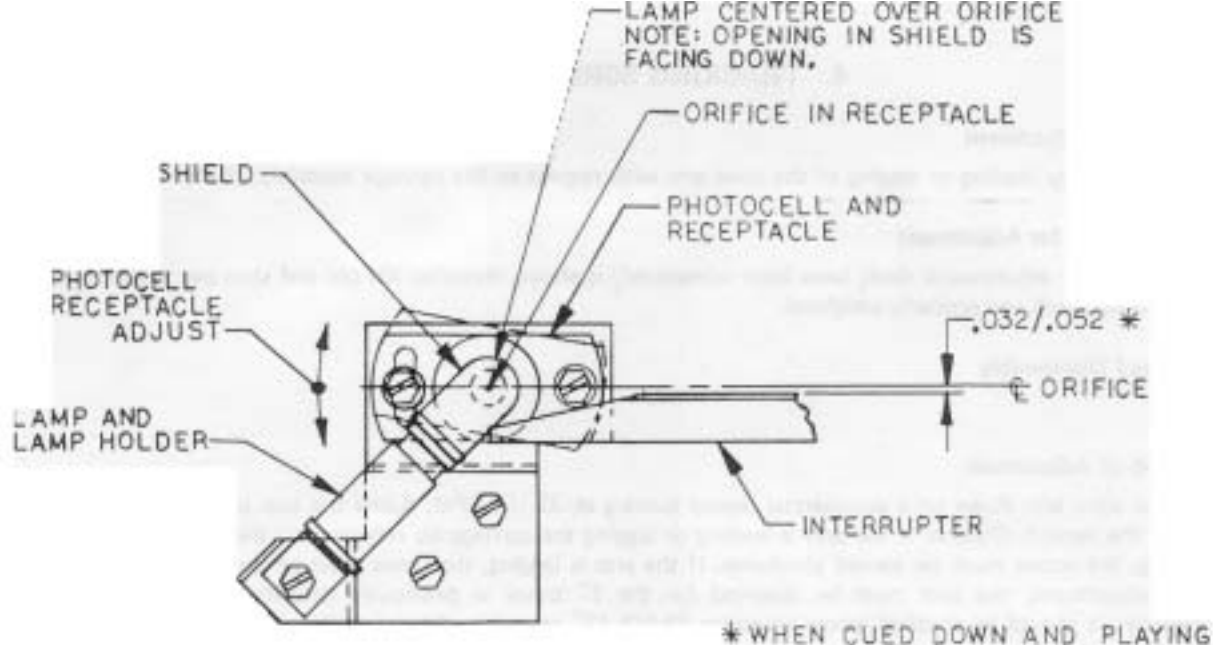
### C. Required Disassembly

Stage 3

### D. Method of Adjustment

With the turntable in the "stop" position and the arm "up", move the carriage completely to the left. Lower the arm with the cue lever. The photo cell receptacle should be adjusted by loosening the 2 screws and positioning the receptacle until the rear edge of the photo cell interruptor is just in line with the outer circle around the opening in the photo cell receptacle (Figure 7). Tighten both screws and recheck to ensure that the location did not move during tightening.





**FIGURE 7. TRIPPING ADJUSTMENT**

## 6. CARRIAGE GUIDE

### Reason for Adjustment

To position the tracking roller directly above the center of the tracking shaft.

### B. Pre-Condition for Adjustment

None

### Required Disassembly

Stages 1, 2, and 3

### D. Method of Adjustment

The carriage guide adjustment (Figure 8) must be made so that when the arm is "down," the tracking roller is directly above the center of the tracking shaft. Loosen the outside nut on the carriage guide, and either loosen or tighten the inside nut against the spring tension to position the tracking roller to be exactly centered above the tracking shaft.

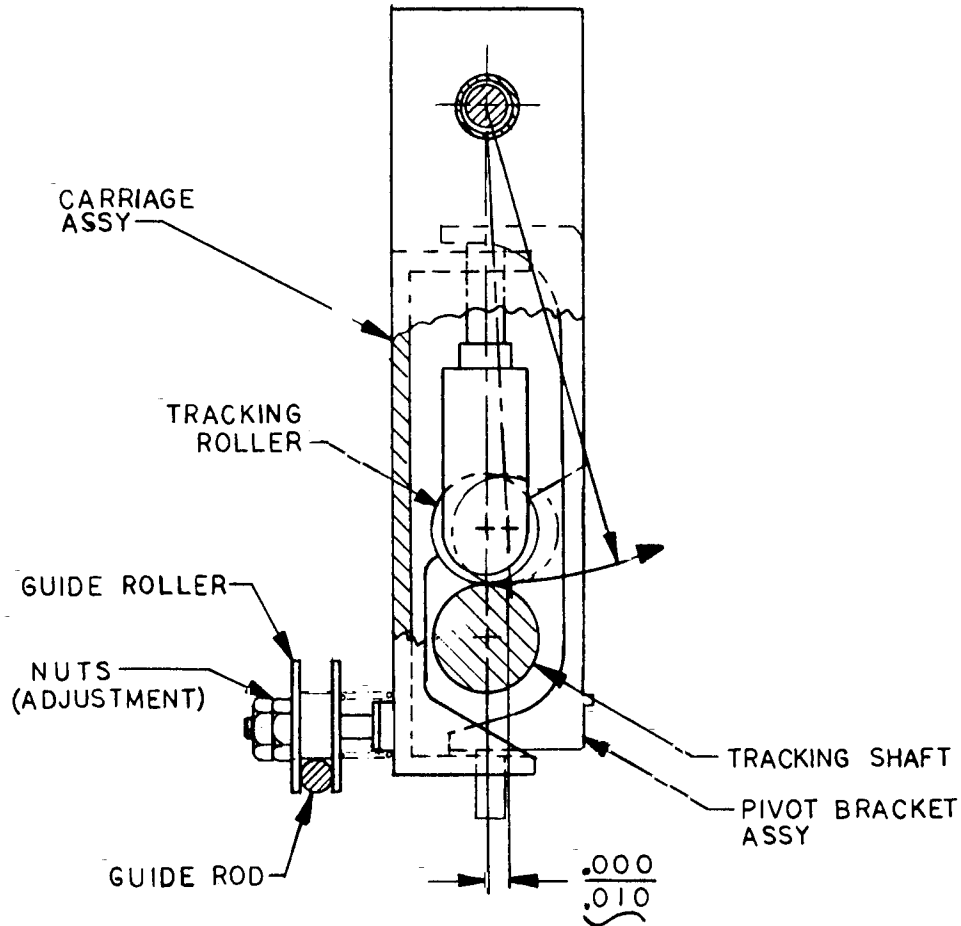


FIGURE 8. CARRIAGE POSITION ADJUSTMENT

## 7. SOLENOID POSITION ADJUST

The solenoid bracket must be positioned so that when the solenoid is activated, the trip pin is centered in the plunger V-groove as shown in Figure 9. There should be 1/16" clearance between the gear and the edge of the plunger when activated.

### A. Reason for Adjustment

To position the solenoid bracket so that when the solenoid plunger is activated, the trip pin is fully engaged with the tracking gear. (Refer to Figures 2 and 9.)

### B. Pre-Condition

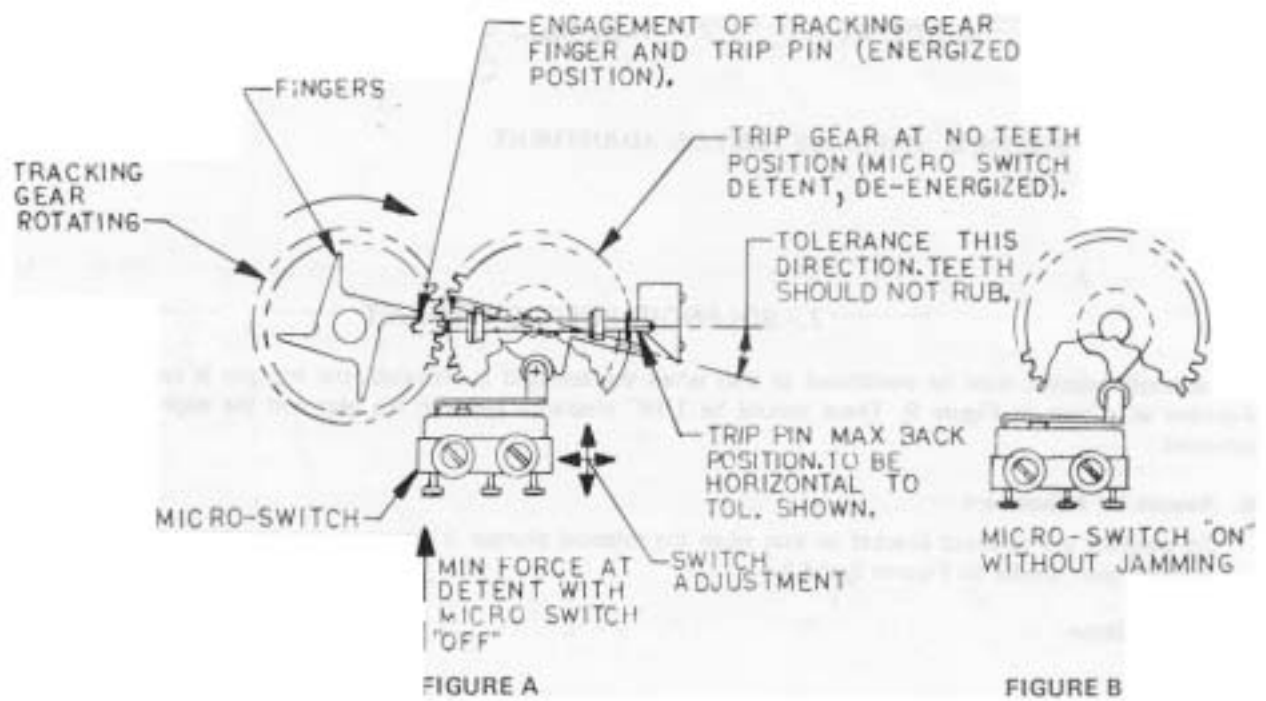
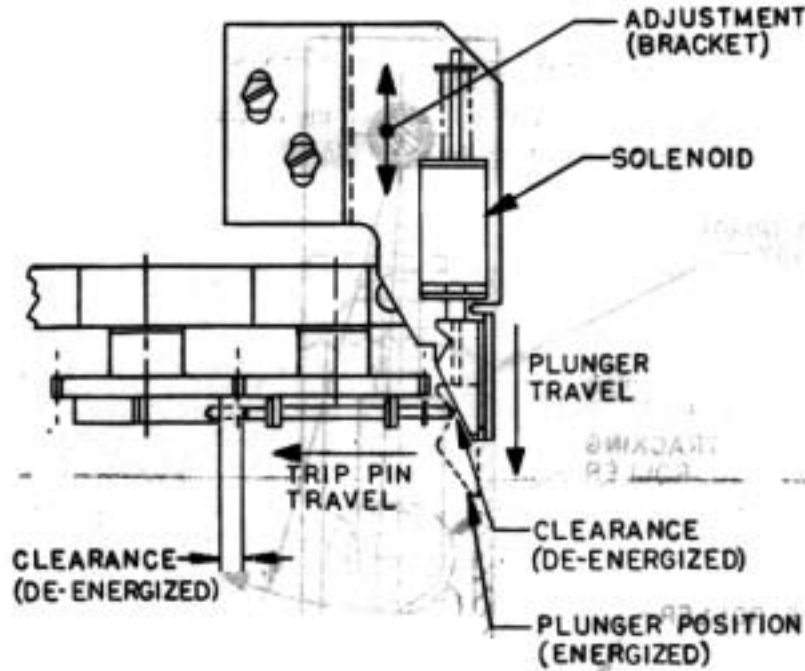
None

### C. Required Disassembly

Stage 3

### D. Method of Adjustment

Loosen the two screws holding solenoid bracket. Line up rear edge of plunger as shown in Figure 9. Check that there is 1/16 inch clearance between the gear and the edge of the plunger when in activated position.



**FIGURE 9. MICROSWITCH AND TRIP SOLENOID ADJUSTMENT**

## 8. MICROSWITCH POSITION ADJUST

The microswitch must be positioned so that when the roller on the lever is engaged in the neutral position of the trip gear, the trip pin going through the gear must be tilted slightly from the horizontal in clockwise direction, but not beyond the tolerance shown. (Refer to Figure 9.)

### A. Reason for Adjustment

To position the microswitch for proper operation of the trip gear assembly.

### B. Pre-Condition

Remove retaining ring (50) and washer (44) securing cue lever linkage (47) to trip gear staking assembly, and swing cue lever linkage down for clear access to microswitch.

### C. Required Disassembly

Stages 1 through 4

### D. Method of Adjustment

Position the microswitch so that the trip pin is slightly off the horizontal as shown in the figure. The switch body should be level. The switch body should be adjusted vertically so the switch clicks on each trip cycle. There should be approximately 1/16 inch clearance between the switch arm and the switch body.

## 9. PHOTO CELL SENSITIVITY

### A. Reason for Adjustment

To assure a proper pick-up of the tone arm when at the end of the record. (Reference Figure 3.)

### B. Pre-Condition

None

### C. Required Disassembly

Stages 1 through 4

### D. Method of Adjustment

The sensitivity control on the P. C. board should be adjusted to permit the solenoid to be activated 8 times during one normal shut off cycle.

Have the ST-7 operating at 33 1/3 RPM, the arm in the "up" position, and the carriage at the extreme right hand position. Start with the control in approximately the center of its range. Using a small piece of dark paper or cardboard, (it must not be able to transfer light) sequentially cover the small hole in the photo cell receptacle and count the number of times the solenoid will activate before shut off occurs. The sensitivity control should be turned clockwise until the solenoid can be activated 8 times prior to shut off. This adjustment is normally near the center of the range of the control.

### CAUTION:

All tests are invalid if the device used to cover the hole in the photo cell allows light to come through. The black cartridge gauge supplied with the ST-7 can be used for this purpose.

## 10. MOTOR ALIGNMENT

### A. Reason for Adjustment

To position the motor pulley so it is perfectly parallel with the platter belt surface.

**B. Pre-Condition**

Check the location of the nylon adjustment screws. If their location is not as shown in Figure 3 remove the upper motor mounting plate (61), turn it over, and remount on motor mounting bracket (64). The position of the nylon adjustment screws should now agree with the figure.

**NOTE**

A special 7 inch test platter is required to make this adjustment. Test platters are available from Harman Kardon.

**C. Disassembly**

Stages 1 and 2

**D. Method of Adjustment**

Set up unit with 7" test platter in place of regular platter. Install belt. Run at 33-1/3 speed and observe belt position on motor pulley. Start with both nylon adjustment screws not touching the motor housing. Turn whichever screw is required to cause the belt to ride exactly in the center of the motor pulley. Turn the second screw to just touch the motor housing but not add any additional tension to the motor.

**11. SPEED ADJUSTMENT (COARSE)**

The coarse speed adjustment, if required, should be adjusted so that proper strobe indication occurs with the 45 and 33-1/3 speed adjustments in the approximate mechanical center.

**A. Reason for Adjustment**

To ensure that the proper speed range can be obtained by adjustment of the 45 and 33-1/3 speed controls. (Refer to Figure 3.)

**B. Pre-Conditioning**

Be absolutely certain that this adjustment is made with the belt in the center of the motor pulley and not riding on either side of the hub.

**C. Disassembly**

Stages 1 and 2. Then replace platter on spindle and replace belt.

**D. Method of Adjustment**

Set both fine speed controls at their approximate mechanical centers. Adjust the coarse speed adjustment so the proper strobe indication occurs.

**CAUTION**

Be absolutely sure that the adjustment is made with the belt in the center of the motor pulley, not riding on either side of the hub.

**12. RESTRICTOR ARM ADJUSTMENT**

**A. Reason for Adjustment**

To allow the tone arm to be properly recaptured into the notch of the restrictor arm from any normal angles of record grooves. (Refer to Figure 3.)

**B. Pre-Conditioning**

None

**C. Disassembly**

None

**D. Method of Adjustment**

Loosen restrictor nut slightly. Position the restrictor arm so that when the tone arm is placed on the record and very carefully moved manually to the extreme left of the roller assembly movement, it just clears the underside of the restrictor arm.

**13. CONVERSION OF ST-7 MULTIVOLTAGE UNITS**

**A. Reason for Adjustment**

To convert unit to required voltage and frequency. (Refer to Figure 3).

**B. Pre-Condition for Adjustment**

Line cord removed from socket.

**C. Required Disassembly**

Stages 1 and 2

**D. Method of Adjustment**

1. Locate multivoltage plug (Figure 3) and remove from socket. Reorient by aligning arrow to desired voltage. Reinsert into socket.
2. Locate strobe mirror and select appropriate black fishpaper mask for 50 or 60Hz operation. The 60Hz mask should cover the outer portion of mirror. The 50Hz mask should cover inside portion of mirror.
3. Replace the line cord, or select adapter for appropriate wall outlet.
4. Select appropriate fuse from the following table.

|       | 110/117 VAC | 200/240 VAC |
|-------|-------------|-------------|
| 50 Hz | 2/10 A-250V |             |
| 60 Hz | 2/10 A-250V |             |

**14. CABLE CAPACITANCE MATCHING**

**A. Reason for Adjustment**

To match ST-7 cable capacitance as closely as possible to cartridge manufacturer recommendation.

**B. Pre-Condition for Adjustment**

Determine cable capacitance recommended by manufacturer.

**C. Required Disassembly**

Stages 1 and 2

**D. Method of Adjustment**

Locate Terminal Strip TB1 on Figure 3. The signal cable pairs are terminals 1 and 2, and 5 and 6. The existing cable capacitance for each pair is 75 picofarads. Add the difference capacitance (Manufacturers recommendation less 75 pf) across each pair of terminals (1-2 and 5-6).

*17.2.85 mounted  
Technics Audio Cable 111 Feet  
40pf/m and 50mS/m*

**15. CARRIAGE ASSEMBLY REMOVAL**

**A. Reason for Adjustment**

To facilitate repair and/or replacement of component parts of carriage assembly.

**B. Pre-Conditioning**

Remove counterweight and tone arm.

C. Disassembly

Stages 1 through 4

D. Method of Removal

Locate Terminal Strip TB1 on Figure 3. Unsolder five tone arm signal leads (red, green yellow, white, black). Referring to Figures 10 and 11, locate LH cover (11) and RH cover (13). Remove machine screws (12) fastening covers, and remove both covers. Loosen setscrews (193) on back of LH and RH slide support assys (111) and (116), and remove slide rod (115). Loosen two setscrews (192) on tracking shaft pulley (114) and remove from tracking shaft (105). Remove two machine screws anchoring tracking shaft support (113) to base. Carefully slide carriage assembly off tracking shaft (105).

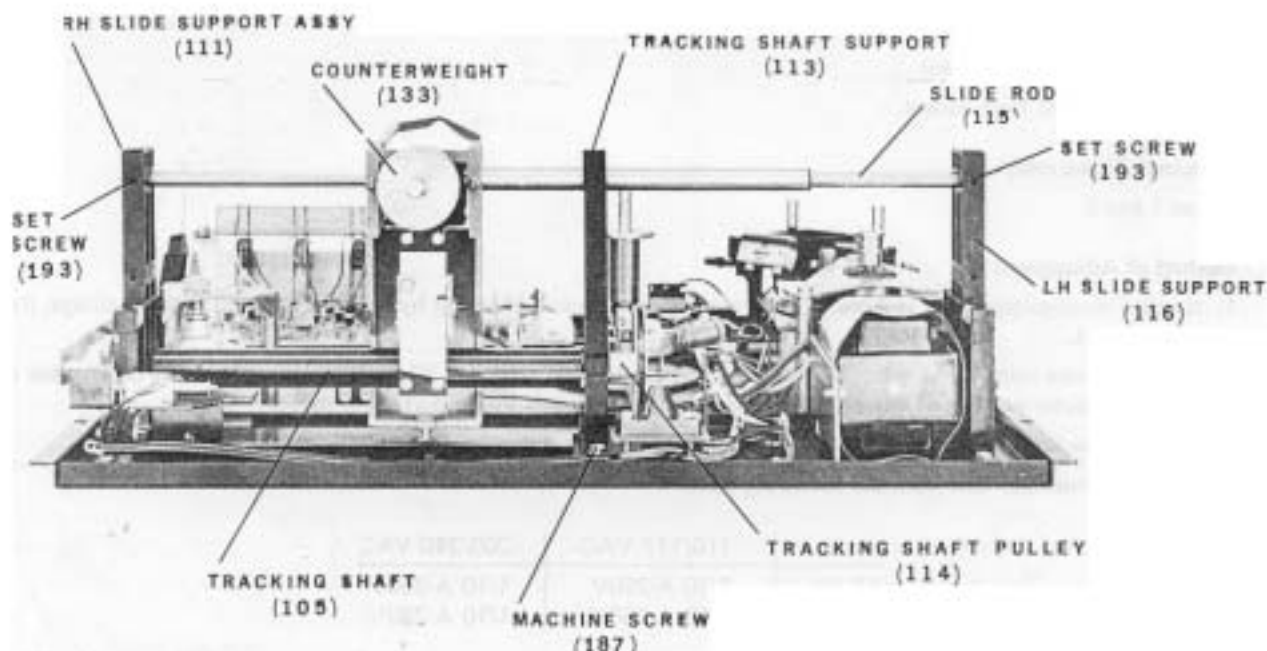


FIGURE 10. CARRIAGE ASSEMBLY REMOVAL

*weight 156  
weight 156  
Cartridge gauge!!*

OVERALL MECHANICAL PARTS LIST  
(Referenced to Figure 12)

| Ref. No. | Part Number | Description       | Ref. No. | Part Number | Description             |
|----------|-------------|-------------------|----------|-------------|-------------------------|
| 1        | 60130152    | Base Plate        | 10       | 77830776    | Screw, 4 X 0.7 X 8.0 mm |
| 2        | 60130298    | Disc              | 11       | 60130147    | Cover, LH               |
| 3        | 6703808     | Retaining Ring    | 12       | 70630773    | Screw, 4-40 X 5/16      |
| 4        | 01030208    | Turntable Mat     | 13       | 60130148    | Cover, RH               |
| 5        | 62930202    | Platter           | 14       | 70630890    | Screw, 4-40 X 3/16      |
| 6        | 63030216    | Disc, Strobe      | 15       | 60130190    | Top Plate, Rear         |
| 7        | 61430150    | Belt, Turntable → | *16      | 61430746    | Pad, Foam               |
| 8        | 61630239    | Dust Cover        | 17       | 60130189    | Top Plate, Front        |
| 9        | 67030830    | Lockplate         | 18       | 61630120    | Grommet, Cue Lever      |

\*Recommended Spares

† Incorporated in transformer on some models

‡ Incorporated in Item 139 on some models

§ Not on all models

OVERALL MECHANICAL PARTS LIST (continued)

| Ref. No. | Part Number           | Description                   | Ref. No. | Part Number           | Description                       |
|----------|-----------------------|-------------------------------|----------|-----------------------|-----------------------------------|
| 19       | 60630121              | Retainer, Cue Grommet         | 62       | 01730001              | Motor & Pulley Assy               |
| 20       | 61030149              | Window, Strobe                | 63       | 60130256              | Plate, Motor Mtg., Lower          |
| 21       | 61630293              | Grommet, Resistor Knob        | 64       | 60130284              | Bracket, Motor Mtg.               |
| 22       | 67030802              | Retaining Ring                | 65       | 61230736              | Neon Pilot Light (DS2)            |
| 23       | 62930167              | Adaptor, 1.50 I.D. (38 mm)    | 66       | 60130304              | Bracket, Light                    |
| 24       | 71819755              | Screw, 6-32 X 5/16            | 67       | 60130285              | Bracket, Speed Control            |
| 25       | 60130151              | Side Wall                     | *68      | 63230252              | Knob, Resistor                    |
| 26       | 61830745              | Inner Covering                | *69      | 38130247              | Resistor, Variable (VR1, VR2)     |
| 27       | 67030831              | Free Stop Hinge Assy          | 70       | 80119587              | Nut, Hex, Thin Elect 3/8-32       |
| 28       | 75830777              | Screw, 4-40 X 3/8, Type F     | 71       | 85230804              | L'washer, Int Tooth 3/8 Light     |
| 29       | 61630116              | Shim, Hinge                   | *72      | 61030214              | Mirror, Strobe                    |
| 30       | 00130012              | P. C. Board Assy              | 73       | 61830751              | Mask, Strobe (Export)             |
| *31      | 46530750              | Lamp, (Blue), 45 (DS1)        | 74       | 61830742              | Mask, Strobe                      |
| *32      | 46530748              | Lamp, (Red), Stop (DS2)       | 75       | 65427580              | Voltage Block                     |
| *33      | 46530749              | Lamp, (Green), 33-1/3 (DS3)   | 76       | 10130734              | Transformer (T1)                  |
| 34       | 61630170              | Housing, Control Switch       | 77       | 60130732 <sup>1</sup> | Shield, Transformer               |
| 35       | 60130169              | Bracket, Support, Switch      | 78       | 60130731              | Bracket, Transformer              |
| 36       | 79030114              | Screw, Shoulder               | 79       | 10130155              | Transformer (Export) (T1)         |
| 37       | 85430806              | Washer, Curved                | *80      | 25530859              | Switch, Rocker (S2)               |
| 38       | 85030115              | Flatwasher                    | 81       | 61630119              | Housing, Switch                   |
| 39       | 85030302              | Flatwasher                    | *82      | 45031015              | Fuse 1/10, 3AG 250V (Export) (F1) |
| 40       | 67030807              | Retaining Ring                | *83      | 45030817              | Fuse .2A, 3AG 250V (F1)           |
| 41       | 65430171              | Contact, Touch Control        | 84       | 65430519              | Fuseholder                        |
| 42       | 88530838              | Eyelet                        | 85       | 65030973              | Terminal Strip, 4 Pcs. (TB3)      |
| 43       | 01930003              | Cam Bracket & Shaft Assy      | 86       | 30418307              | Capacitor, .01M Z5U (C1, C2)      |
| 44       | 85030244              | Flatwasher, Linkage           | 87       | 62031486              | Isolator                          |
| 45       | 62830179              | Cam, Cueing                   | 88       | 62030230              | Foot, Mounting                    |
| 46       | 60430181              | Shaft, Linkage, Cue Cam       | 89       | 65230819              | Terminal Strip (TB1)              |
| 47       | 60130183              | Linkage, Cue Lever            | 90       | 53029083              | Line Cord                         |
| 48       | 60630299              | Spring, Compression           | 91       | 53030949              | Line Cord (Export)                |
| 49       | 85030884              | Flatwasher #3                 | 92       | 61430856              | Grommet, Strain Relief            |
| 50       | 67030801              | Retaining Ring                | 93       | 53030857              | Phono Cable (Audio)               |
| 51       | 60130283              | Bracket, Dampening            | 94       | 61430805              | Grommet, Phono Cable              |
| 52       | 60431593 <sup>2</sup> | Bearing Rod                   | 95       | 67030972              | Clamp                             |
| 53       | 61831579 <sup>3</sup> | Shield, Electric Hazard—Rear  | 96       | 87230855              | Standoff                          |
| 54       | 61831574 <sup>3</sup> | Shield, Electric Hazard—Front | 97       | 65611705              | Ground Lug                        |
| 55       | 62431559              | Tape, Double Sided            | 98       | 61415863              | Rubber Channel                    |
| 56       | 61931581              | Dash Pot                      | 99       | 87230118              | Standoff, Top Plate               |
| 57       | 01930006              | Spindle & Bearing Assy        | 100      | 63230178              | Lever, Cueing Cam                 |
| 58       | 60130294              | Retainer, Bearing             | 101      | 60130289              | Plate Mtg., Carriage Assy         |
| 59       | 01930007              | Hub & Post Assy               | 102      | 60430144              | Guide Rod                         |
| 60       | 67030828              | Retaining Ring                | 103      | 60430187              | Rod, Release                      |
| 61       | 60130174              | Plate, Motor Mtg., Upper      | 104      | 01931747              | Lift Bracket w/Tape               |

\*Recommended Spares

<sup>1</sup> Incorporated in transformer on some models

<sup>2</sup> Incorporated in Item 139 on some models

<sup>3</sup> Not on all models



OVERALL MECHANICAL PARTS LIST (continued)

| Ref. No. | Part Number | Description                   | Ref. No. | Part Number | Description                     |
|----------|-------------|-------------------------------|----------|-------------|---------------------------------|
| 105      | 60430143    | Tracking Shaft                | 148      | 61630134    | Bracket, Tracking Roller        |
| 106      | 60130301    | Locknut Plate                 | 149      | 60630137    | Spring, Tracking Roller         |
| 107      | 60830127    | Gear, Tracking Shaft          | 150      | 61131525    | Tracking Roller Assy *          |
| 108      | 01930018    | Trip Gear Staking Assy        | 151      | 61130816    | Bearing                         |
| 109      | 60430211    | Trip Pin                      | 152      | 01930026    | Horizontal Carriage Staked Assy |
| 110      | 25030251    | Micro Switch (S1)             | 153      | 60630292    | Spring, Comp, Guide             |
| 111      | 01930019    | Slide Support Assy, RH        | 154      | 61130203    | Guide, Carriage                 |
| 112      | 60631578    | Spring, Extension             | 155      | 60130201    | Restrictor, Tone Arm            |
| 113      | 61630287    | Support, Tracking Shaft       | 156      | 84031027    | Nut, Restrictor                 |
| 114      | 60830145    | Pulley, Tracking Shaft        | 157      | 60430200    | Rod, Restrictor                 |
| 115      | 60430139    | Slide Rod                     | 158      | 61430743    | Grommet, Eccentric              |
| 116      | 61631342    | Support, LH                   | 159      | 61730129    | Slide Tube                      |
| 117      | 61430207    | Belt, Tracking                | 160      | 61130130    | Slide Bushing                   |
| 118      | 85030153    | Flatwasher, Gear              | 161      | 57530106    | Cable Assy, Tone Arm            |
| 119      | 86530233    | Spacer Rod                    | 162      | 61730102    | Tone Arm Tube                   |
| 120      | 85030236    | Flatwasher                    | 163      | 61630101    | Mtg. Plate, Cartridge           |
| 121      | 01830016    | Solenoid Assy (L1)            | 164      | 84030758    | Lock Nut, Tone Arm              |
| 122      | 60130131    | Bracket, Trip Solenoid        | 165      | 61730276    | Gram Weight                     |
| 123      | 61830759    | Shroud, Solenoid              | 166      | 61630109    | Sleeve, Gram Weight             |
| 124      | 65030974    | Terminal Strip (TB2)          | 167      | 60130112    | Cover, Cartridge                |
| 125      | 60130128    | Bracket, Lamp & Photo Cell    | 168      | 61630111    | Clamp, Cover                    |
| 126      | 61830296    | Cover, Photo Cell             | 169      | 78931210    | Screw, 2-56 X 1/8               |
| *127     | 01930044    | Photo Cell Wired Assy (V1)    | 170      | 80130853    | Nut, Hex, 6-32                  |
| 128      | 61630124    | Receptacle, Photo Cell        | 171      | 77630917    | Screw, 6-32 X 5/16, Type 23     |
| 129      | 61230846    | Lamp Holder                   | 172      | 74830919    | Screw, 6-32 X 1/4, Type F       |
| *130     | 46530809    | Lamp (DS1)                    | 173      | 74431237    | Screw, 6-32 X 1/4, Type F       |
| 131      | 61211349    | Light Shield                  | 174      | 76530706    | Screw, #8 X 1/4, Type A         |
| 132      | 61630161    | Cover, Roller                 | 175      | 77830910    | Screw, #4-40 X 3/16             |
| 133      | 61930271    | Counterweight                 | 176      | 72130774    | Set Screw, 6-32 X 3/8 (Nylon)   |
| 134      | 84030199    | Nut, Jam, Counterweight       | 177      | 78730929    | Screw, 4-40 X 3/16, Type 23     |
| 135      | 61430303    | O Ring                        | 178      | 70930918    | Screw, 1-72 X 1/8               |
| 136      | 01930021    | Roller Base Riveting Assy     | 179      | 74830930    | Screw, 4-40 X 3/8, Type F       |
| 137      | 60630126    | Spring, Band                  | 180      | 85030845    | Washer, Flat, #4                |
| 138      | 60130140    | Interrupter, Photo Cell       | 181      | 67030812    | Retaining Ring                  |
| 139      | 60131592    | Pivot Bracket                 | 182      | 67030813    | Retaining Ring                  |
| 140      | 61130110    | Roller, Tone Arm              | 183      | 85130848    | Split Lockwasher, #2            |
| 141      | 60430272    | Rod, Counterweight            | 184      | 85030847    | Flatwasher, #2                  |
| 142      | 60130156    | Receptacle, Connector         | 185      | 70230712    | Screw, 2-56 X 3/4               |
| 143      | 65130737    | Ground Lug, Tone Arm          | 186      | 84030814    | Square Nut, 4-40                |
| 144      | 57530217    | Cable Assy, Roller            | 187      | 78730928    | Screw, 6-32 X 3/8, Type 23      |
| 145      | 84030117    | Nut, Jam, Receptacle          | 188      | 85030850    | Flatwasher, #6                  |
| 146      | 87930849    | Drive Screw #00 X 1/8, Type U | 189      | 85431410    | Spring Washer                   |
| 147      | 60131571    | Stop Bar, Cue Lift            | 190      | 85431586    | Curved Washer                   |

\*Recommended Spares

<sup>1</sup> Incorporated in transformer on some models

<sup>2</sup> Incorporated in Item 139 on some models

<sup>3</sup> Not on all models

\* replacement "O" ring for Roller <sup>24</sup> 3/4" id. / 19/32" o.d.

OVERALL MECHANICAL PARTS LIST (continued)

| Ref. No. | Part Number | Description                    | Ref. No. | Part Number           | Description                |
|----------|-------------|--------------------------------|----------|-----------------------|----------------------------|
| 191      | 67030815    | Retaining Ring                 | 215      | 61829901              | Shield, Fishpaper          |
| 192      | 72130713    | Screw, Set, 4-40 X 1/8         | 216      | 62021307              | Felt Pad                   |
| 193      | 72119769    | Screw, Set, 4-40 X 1/4         | 217      | 85219238              | Lockwasher, Int Tooth 5/16 |
| 194      | 80131582    | Hex Nut Jam 5/16-24            | 218      | 62030231              | Isolator                   |
| 195      | 60431215    | Lift Pin, Threaded             | 219      | 70219352              | Screw 4-40 X 5/16          |
| 196      | 67030818    | Retaining Ring                 | 220      | 80619403              | Nut Hex W/L Washer 4-40    |
| *197     | 72131738    | Set Screw Oval Pt. 6-32 X 5/16 | 221      | 85231487              | Lockwasher, Internal       |
| 198      | 85130863    | Split Lockwasher, #6           | 222      | 79331589              | Screw, 4-40 X 3/8          |
| 199      | 79131151    | Screw, #6 X 5/16, Type 25      | 223      | 60431594 <sup>2</sup> | Insert Lift Pin            |
| 200      | 80130860    | Nut, Hex, 4-40                 | 224      | 71931616              | Screw 4-48 X 1/2           |
| 201      | 85130858    | Lockwasher, Split, #4          | 225      | 60431610              | Button, Tracking, Adjust   |
| 202      | 77830891    | Screw, 4-40 X 5/16             | 226      | 80631617              | Nut, Hex w/L Washer 4-48   |
| 203      | 77830892    | Screw, 2-56 X 1/4              | 300      | 01930029              | Slide Tube Assy            |
| 204      | 80130821    | Nut, Hex, 2-56                 | 301      | 01930035              | Mtg Foot Assy              |
| 205      | 79130934    | Screw, #6 X 1/4, Type 25       | 302      | 01930046              | Platter Assy               |
| 206      | 71931152    | Screw, 4-40 X 5/16             | 303      | 01930010              | Housing & Contact Assy     |
| 207      | 70230709    | Screw, 4-40 X 7/16             | 304      | 01931745              | Side Wall Assy             |
| 208      | 77830893    | Screw, 6-32 X 1/4              | 305      | 01931746              | Top Plate Assy (Front)     |
| 209      | 74831168    | Screw, 4-40 X 5/16, Type F     | 306      | 01930747              | Top Plate Assy (Rear)      |
| 210      | 78730928    | Screw, 6-32 X 3/8, Type 23     | 307      | 01930036              | Counterweight Assy         |
| 211      | 01930031    | Wire & Receptacle Assy         | 308      | 01631609              | Tone Arm Assy (Only)       |
| 212      | 85531233    | Flatwasher                     |          | CH-7W                 | Tone Arm Assy Kit          |
| 213      | 71930931    | Screw, 6-32 X 3/16             | 309      | 01931782              | Roller & Base Assy         |
| 214      | 70818675    | Screw, 4-40 X 1-1/8            | 310      | 01930023              | Roller Assy                |

\*Recommended Spares

<sup>1</sup> Incorporated in transformer on some models

<sup>2</sup> Incorporated in Item 139 on some models

<sup>3</sup> Not on all models

## PC BOARD ASSEMBLY PARTS LIST

| Circuit Ref. No.          | H/K Part No. | Description                |
|---------------------------|--------------|----------------------------|
|                           | 00130012     | PC Board Assembly          |
| <b>CAPACITOR, FIXED</b>   |              |                            |
| C1, C2                    | 30430718     | Disc, .01 UF, 500 V, 1 20% |
| C3                        | 30418317     | Disc, .001 UF, 100 V, 10%  |
| C4                        | 31530719     | Lytic, 470 UF, 25 V        |
| C5                        | 31819180     | Lytic, 100 UF, 16 V        |
| <b>DIODE</b>              |              |                            |
| *CR1-4                    | 41629897     | Zener                      |
| CR9, CR11                 |              |                            |
| *CR5-8, CR12              | 41020618     | Rectifier 2A, 100 V        |
| *CR10                     | 42030720     | Zener, 8.2 V = 5%          |
| <b>INTEGRATED CIRCUIT</b> |              |                            |
| *IC1, IC2                 | 43130725     | Optical Coupler, MOT 4N27  |
| <b>TRANSISTOR</b>         |              |                            |
| *Q1, Q8                   | 43030721     | Siemens BC309C             |
| *Q2, Q9                   | 43027872     | Siemens BC239C             |
| *Q3, Q19                  | 43030722     | Siemens BC238C             |
| *Q4, Q11-14               | 43027722     | GP, PNP                    |
| Q17, Q20                  |              |                            |
| *Q5, Q6, Q16              | 43025972     | GP, NPN                    |
| Q18-18, Q21               |              |                            |
| *Q7, Q22                  | 4303723      | MOT MJE181                 |
| *Q15                      | 43030724     | MOT MJE171                 |
| <b>RESISTOR, FIXED</b>    |              |                            |
| R1, R21, R45              | 33212251     | 2.2 Meg, 1/4 W, 10%        |
| R2, R14                   | 33211031     | 10 K, 1/4 W, 10%           |
| R22, R34                  |              |                            |
| R3, R8, R20               | 33211021     | 1 K, 1/4 W, 10%            |
| R23, R28, R38             |              |                            |
| R41, R44, R55             |              |                            |
| R58                       |              |                            |
| R4, R24                   | 33213321     | 3.3 R, 1/4 W, 10%          |
| R5, R25                   | 33215621     | 5.6 K, 1/4 W, 10%          |
| R6, R26, R36              | 33214731     | 47 K, 1/4 W, 10%           |
| R39, R62                  |              |                            |
| R7, R10, R18              | 33212231     | 22 K, 1/4 W, 10%           |
| R27, R30                  |              |                            |

\*Recommended Spares

## PC BOARD ASSEMBLY PARTS LIST (continued)

| Circuit Ref. No.          | H/K Part No. | Description                       |
|---------------------------|--------------|-----------------------------------|
| R9, R29                   | 33211221     | 1.2 K, 1/4 W, I 10%               |
| R11, R32                  | 33213331     | 33 K, 1/4 W, I 10%                |
| R12, R31, R63             | 33316801     | 68 $\Omega$ , 1/2 W, I 10%        |
| R13, R33                  | 33215631     | 56 K, 1/4 W, I 10%                |
| R15, R35, R49             | 33216811     | 680 $\Omega$ , 1/4 W, I 10%       |
| R16                       | 33211521     | 1500 $\Omega$ , 1/4 W, I 10%      |
| R17                       | 33315601     | 56 $\Omega$ , 1/2 W, I 10%        |
| R19, R47, R48             | 33211041     | 100 K, 1/4 W, I 10%               |
| R42, R43                  | 33211841     | 180 K, 1/4 W, I 10%               |
| R37, R40, R54             | 33214721     | 4700 $\Omega$ , 1/4 W, I 10%      |
| R50                       | 33215611     | 560 $\Omega$ , 1/4 W, I 10%       |
| R51                       | 33218205     | 82 $\Omega$ , 1/4 W, I 5%         |
| R52                       | 33214715     | 470 $\Omega$ , 1/4 W, I 5%        |
| R53                       | 33216821     | 6800 $\Omega$ , 1/4 W, I 10%      |
| R59                       | 33212711     | 270 $\Omega$ , 1/4 W, I 10%       |
| R61                       | 33214711     | 470 $\Omega$ , 1/4 W, I 10%       |
| R64, R65                  | 33212261     | 22 Meg, 1/4 W, I 10%              |
| <b>RESISTOR, VARIABLE</b> |              |                                   |
| *VR1                      | 21630716     | 25 R, I 30%, Centralab TSC1BB253C |
| <b>LAMPHOLDER</b>         |              |                                   |
| XDS1-3                    | 61230717     | AE PC16-526                       |

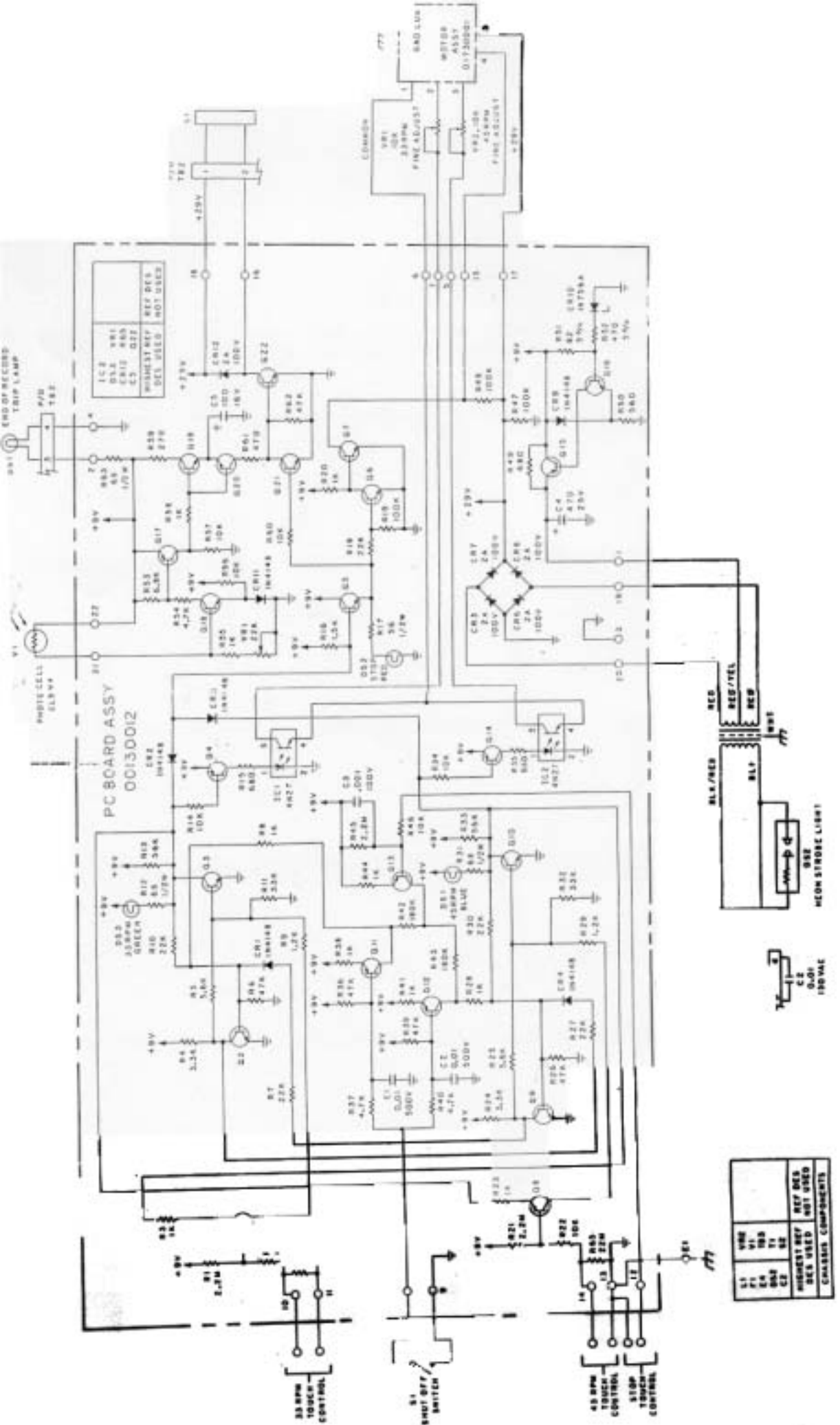
\*Recommended Spares

### REPLACEMENT PARTS LIST ORDER NOTE:

To speed handling of your order be sure to include both the model and serial numbers that appear at the back of the chassis, in addition to the quantity, part number and part description of the items ordered. Orders from independent dealers, independent servicemen, and retail customers will be shipped on a cash-in-advance basis. Harman-Kardon reserves the right to substitute equivalent parts for those originally installed in this chassis. All parts should be ordered from Harman Kardon, 55 Ames Court, Plainview, L.I., N.Y. 11803, Att: Parts Department.

### NOTE TO WARRANTY STATIONS

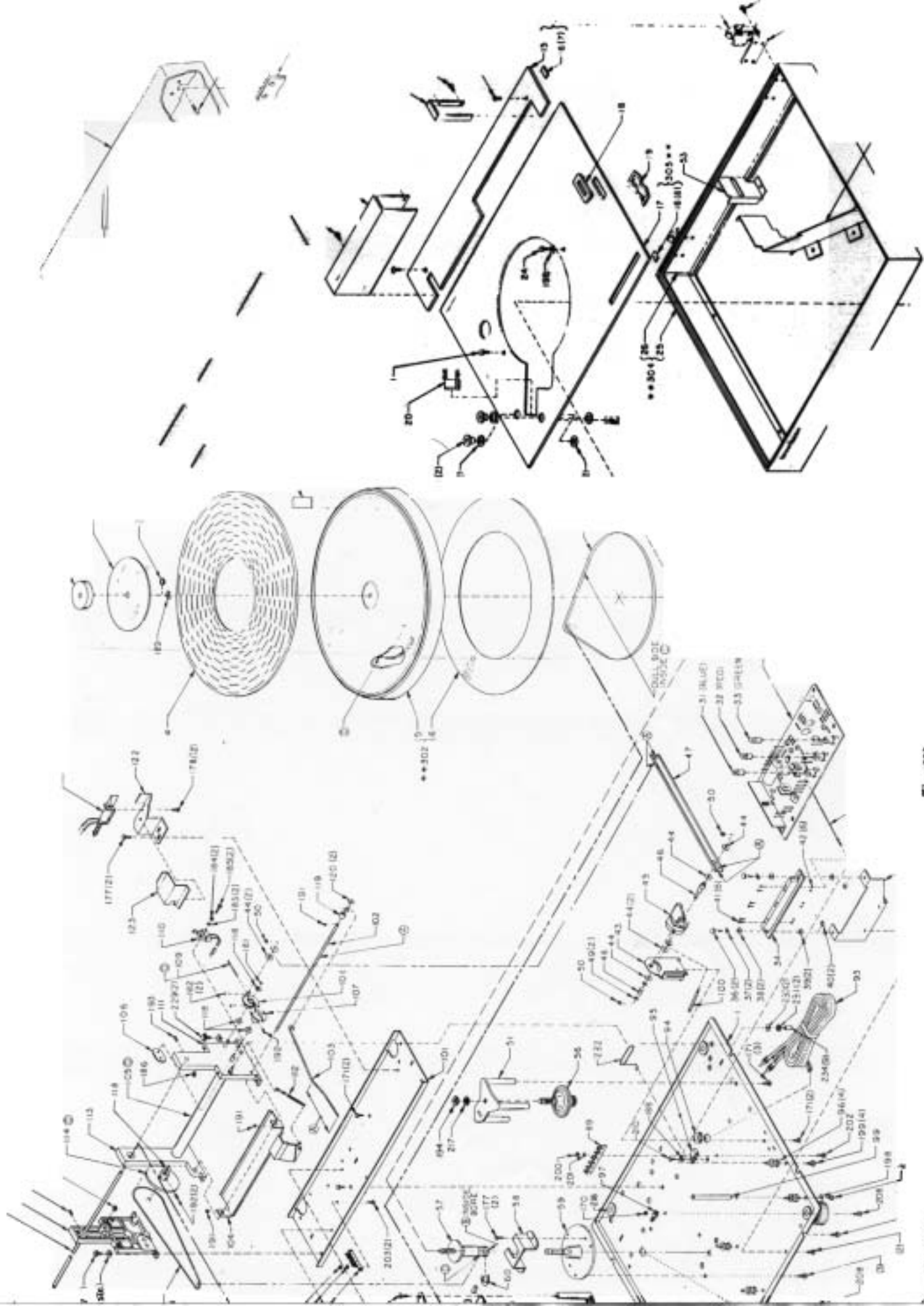
Items marked with an asterisk (\*) are recommended spare parts stock. Printed circuit board assembly numbers are shown for reference only. Harman Kardon does not normally supply assembled printed circuit boards.



| HIGHEST REF DES USED | REF DES NOT USED |
|----------------------|------------------|
| IC2                  | WB1              |
| DL2                  | WB2              |
| CR11                 | WB3              |
| C3                   | WB4              |
| DEL USED             | NOT USED         |

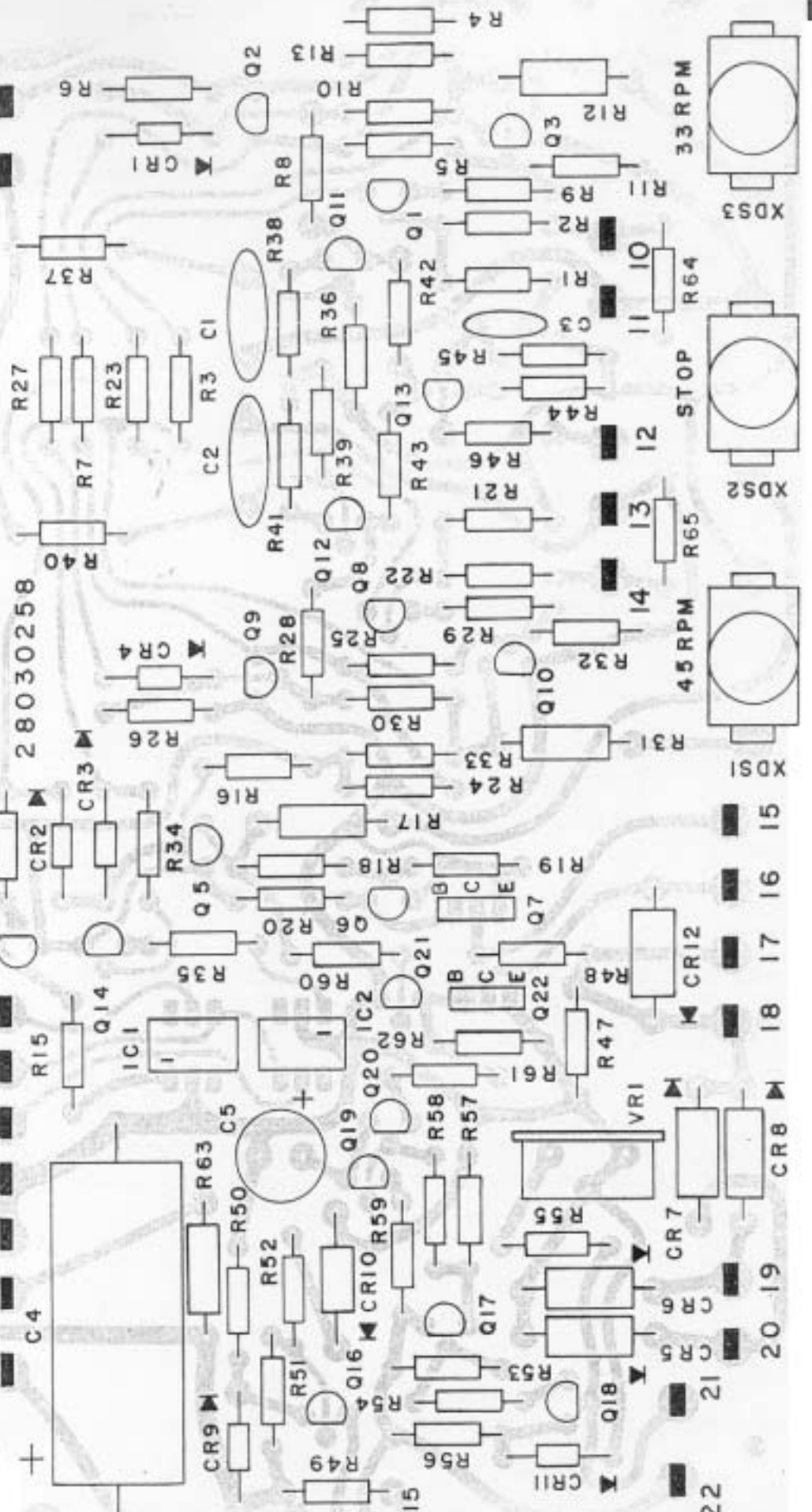
| CALLS    | COMPONENTS  |
|----------|-------------|
| L1       | LED         |
| F1       | FUSE        |
| WB       | WIRE        |
| T1       | TRANSFORMER |
| CR       | DIODE       |
| C        | CAPACITOR   |
| DEL      | DELETED     |
| NOT USED | NOT USED    |

ig 12 part B





# 00130012 (ASSY)

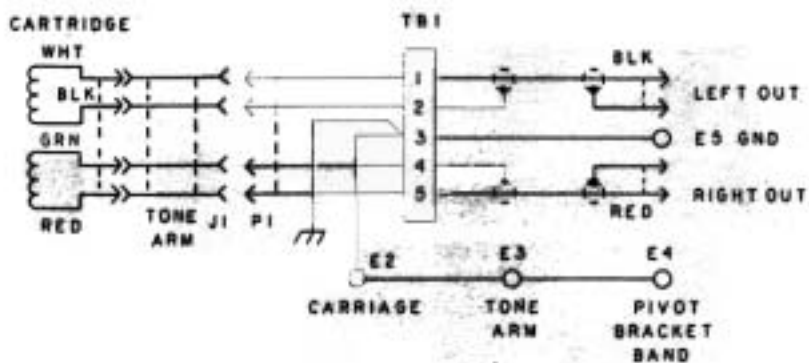


28030258

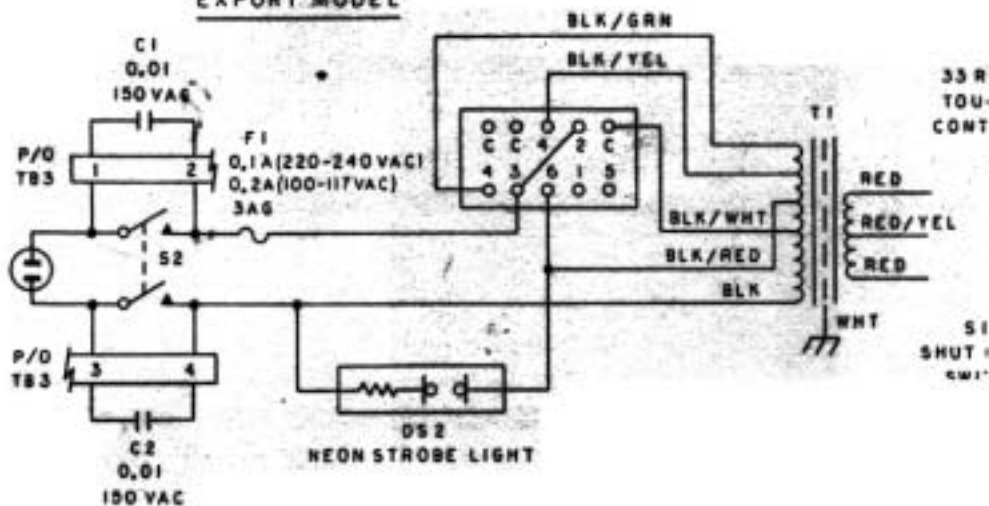
2 3 4 5 6 7 8 9

10 11 12 13 14 15 16 17 18 19 20 21 22





EXPORT MODEL



NOTES: UNLESS OTHERWISE SPECIFIED

1 ALL CAPACITOR VALUES IN MICROFARADS.

2 ALL RESISTOR VALUES IN OHMS,  $\pm 10\%$ , 1/4W

45 R  
TOU  
CONT

51  
TOU  
CONT

FIGURE 12. ST-7 SCHEMATIC DIAGRAM Part A

ST 7 DC VOLTAGES TO GND  
 LINE: 117 VAC, 60 HZ  
 METER: WESTON 4444 DVM

| REF DES | TURN TABLE MODE | V <sub>C</sub> | V <sub>B</sub> | V <sub>E</sub> | REF DES | TURN TABLE MODE | V <sub>C</sub> | V <sub>B</sub> | V <sub>E</sub> | REF DES | PHOTO CELL* AMBIENT | V <sub>C</sub> | V <sub>B</sub> | V <sub>E</sub> |      |
|---------|-----------------|----------------|----------------|----------------|---------|-----------------|----------------|----------------|----------------|---------|---------------------|----------------|----------------|----------------|------|
| Q1      |                 | 0.00           |                |                | Q9      | STOP            | 0.00           | 0.70           | 0.00           | Q17     | STOP                | 9.00           | 8.30           | 9.00           |      |
|         |                 | 0.80           | 9.00           | 9.00           |         | 33 1/3          | 0.00           | 0.70           | 0.00           |         | STOP                | DARK           | 9.00           | 8.30           | 9.00 |
|         |                 | 0.00           | 7.50           | 0.16           |         | 45              | 5.50           | 0.13           | 0.00           |         | 33 1/3 OR 45 RPM    | LIGHT          | 9.00           | 8.30           | 9.00 |
| Q2      | STOP            |                |                | 0.00           | Q10     | STOP            | 9.00           | 0.00           | 0.00           | Q18     | STOP                | 0.60           | 1.30           | 0.60           |      |
|         | 33 1/3          |                |                | 0.00           |         | 33 1/3          | 9.00           | 0.00           | 0.00           |         | STOP                | DARK           | 9.00           | 0.10           | 0.60 |
|         | 45              | 0.00           |                | 0.00           |         | 45              | 0.16           | 0.80           | 0.00           |         | 33 1/3 OR 45 RPM    | LIGHT          | 0.60           | 1.30           | 0.60 |
| Q3      | STOP            |                |                |                | Q11     | STOP            | 0.70           | 9.00           | 9.00           | Q19     | STOP                | 9.00           | 9.00           | 8.90           |      |
|         | 33 1/3          |                |                |                |         | 33 1/3          | 0.13           | 9.00           | 9.00           |         | STOP                | DARK           | 9.00           | 0.00           | 0.40 |
|         | 45              |                |                |                |         | 45              | 0.70           | 9.00           | 9.00           |         | 33 1/3 OR 45 RPM    | LIGHT          | 9.00           | 9.00           | 8.80 |
| Q4      | STOP            |                |                |                | Q12     | STOP            | 0.70           | 9.00           | 9.00           | Q20     | STOP                | 0.00           | 9.00           | 8.80           |      |
|         |                 |                |                | 9.00           |         | 33 1/3          | 0.70           | 9.00           | 9.00           |         | STOP                | DARK           | 0.00           | 0.00           | 0.40 |
|         |                 |                |                |                |         | 45              | 0.13           | 9.00           | 9.00           |         | 33 1/3 OR 45 RPM    | LIGHT          | 0.00           | 9.00           | 8.80 |
| Q5      |                 |                |                |                | Q13     | STOP            | 0.70           | 9.00           | 9.00           | Q21     | STOP                | 0.00           | 0.70           | 0.00           |      |
|         | 33 1/3          | 9.00           | 0.80           | 0.20           |         | 33 1/3          | 0.40           | 9.00           | 9.00           |         | STOP                | DARK           | 0.00           | 0.70           | 0.00 |
|         | 45              | 9.00           | 0.80           | 0.20           |         | 45              | 0.40           | 9.00           | 9.00           |         | 33 1/3 OR 45 RPM    | LIGHT          | 0.00           | 0.20           | 0.00 |
| Q6      | STOP            | 0.00           | 0.70           | 0.00           | Q14     | STOP            | 0.00           | 9.00           | 9.00           | Q22     | STOP                | 23.0           | 0.00           | 0.00           |      |
|         | 33 1/3          | 0.70           | 0.20           | 0.00           |         | 33 1/3          | 0.00           | 9.00           | 9.00           |         | STOP                | DARK           | 23.0           | 0.00           | 0.00 |
|         | 45              | 0.70           | 0.20           | 0.00           |         | 45              | 8.90           | 8.30           | 9.00           |         | 33 1/3 OR 45 RPM    |                |                |                |      |
| Q7      | STOP            | 0.00           | 0.00           | 0.00           | Q15     | STOP            | 9.00           | 12.6           | 13.3           | Q23     | STOP                | 12.6           | 8.90           | 8.30           |      |
|         | 33 1/3          | 23.0           | 0.70           | 0.00           |         | 33 1/3          | 9.00           | 12.2           | 12.9           |         | STOP                | 12.2           | 8.90           | 8.30           |      |
|         |                 | 0.00           | 0.70           | 0.00           |         | 45              | 9.00           | 12.2           | 12.9           |         | STOP                | 12.2           | 8.90           | 8.30           |      |
|         |                 |                |                |                |         | STOP            | 12.6           | 8.90           | 8.30           |         |                     |                |                |                |      |
|         |                 | 0.00           | 7.50           |                |         | 33 1/3          | 12.2           | 8.90           | 8.30           |         |                     |                |                |                |      |
|         |                 |                |                |                |         | 45              | 12.2           | 8.90           | 8.30           |         |                     |                |                |                |      |

\* THE LIGHT CONDITION IS SIMULATED BY END OF RECORD LAMP, DSI, BEING ON AND UNOBSTRUCTED.  
 THE DARK CONDITION IS SIMULATED BY OBSTRUCTING THE LIGHT EMITTED BY DSI BY PLACING  
 A SHEET OF DENSE MATERIAL OVER THE PHOTOCCELL, VI, APERTURE.

Figure 12, Part C

L