

SIGNATURE *series*

1.0 Pre-Amplifier Service Manual

Signature 1.0 Specifications

Input Sensitivity/Impedance (at 1Vrms output, 1khz)

CD, AUX, Tuner, TV, Tape, Surround	: 150mV / 35kohm
MC	: 120uV / 56ohm
MM	: 2.2mV / 47kohm
Balanced	: 300mV
Frequency response (-3dB, line-stage)	: 0.2hz - 450khz
RIAA Equalization (20hz - 20khz)	: 0dB \pm 0.2dB

Input overload level (1khz, THD 0.1%, 0dB gain)

CD, AUX, Tuner, TV, Tape	: 5V
Surround	: 3.75V
MM	: 150mV
MC	: 5mV
Balanced	: 10V

Maximum output voltage (1khz, THD 0.1%)

Balanced	: 10V / 600ohm (pin 2 pos)
Normal Left & Right Stereo	: 10V
Surround	: 3.75V

Signal to Noise ratio (A-Wtd, ref 1Vrms)

CD, AUX, Tuner, TV, Tape	: 100dB
Surround	: 95dB
MM	: 80dB
MC	: 75dB
Balanced	: 100dB

Channel Separation (10khz)

CD, AUX, Tuner, TV, Tape	: 80dB
Surround	: 80dB
MM	: 65dB
MC	: 65dB
Balanced	: 80dB

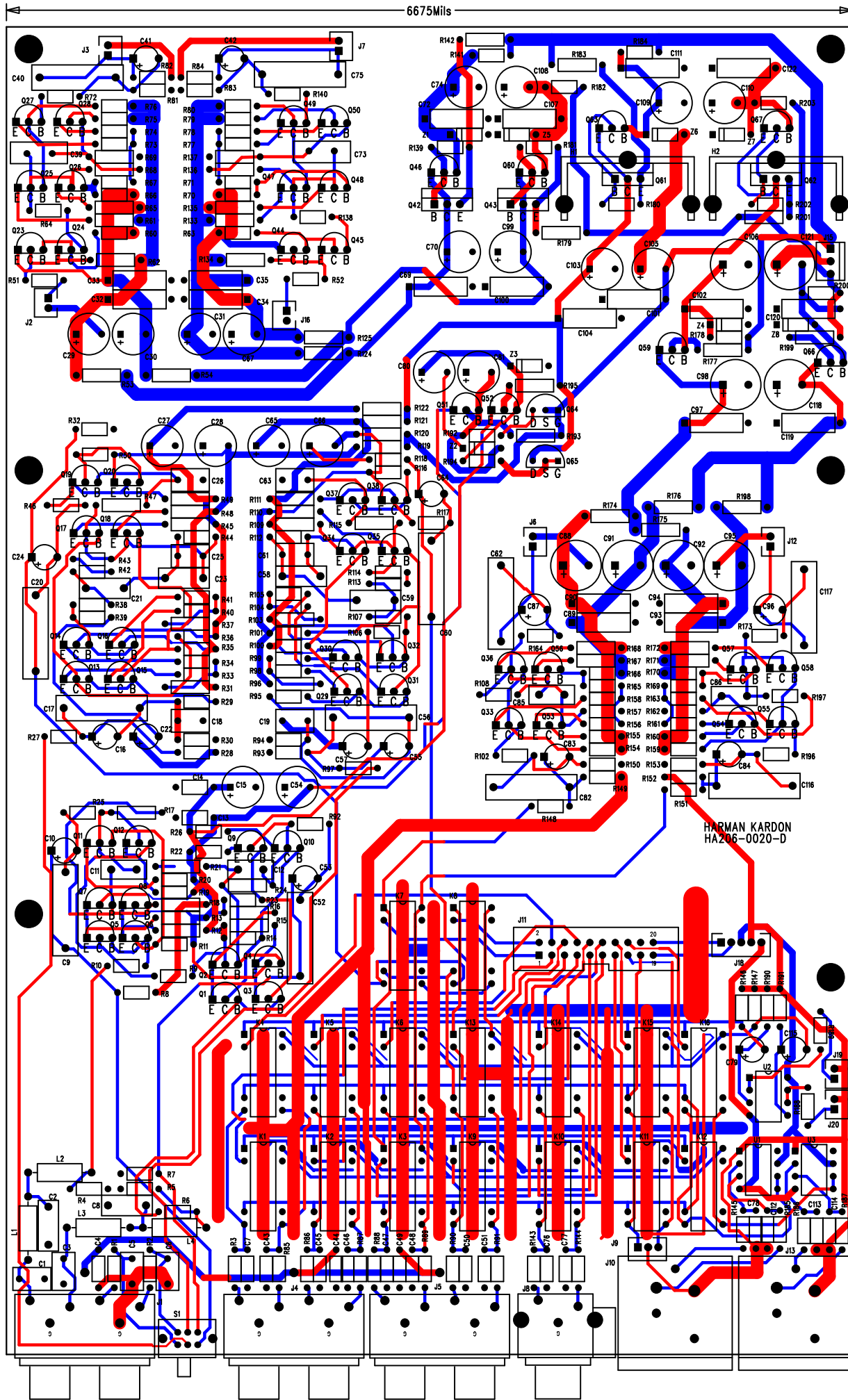
THD+N (20-20khz, 1Vrms, 80khz bw)

CD, AUX, Tuner, TV, Tape	: 0.004%
Surround	: 0.01%
MM	: 0.05%
MC	: 0.1%
Balanced	: 0.005%

General

Trigger Out	: 12V DC, tip positive, 150mA max.
Power Requirement	: AC 220-240V / 50hz
Power Consumption	: 1W Idle, 30W maximum
Dimensions (including knobs, jacks, buttons)	: 440 x 105 x 395 mm (W x H x D)

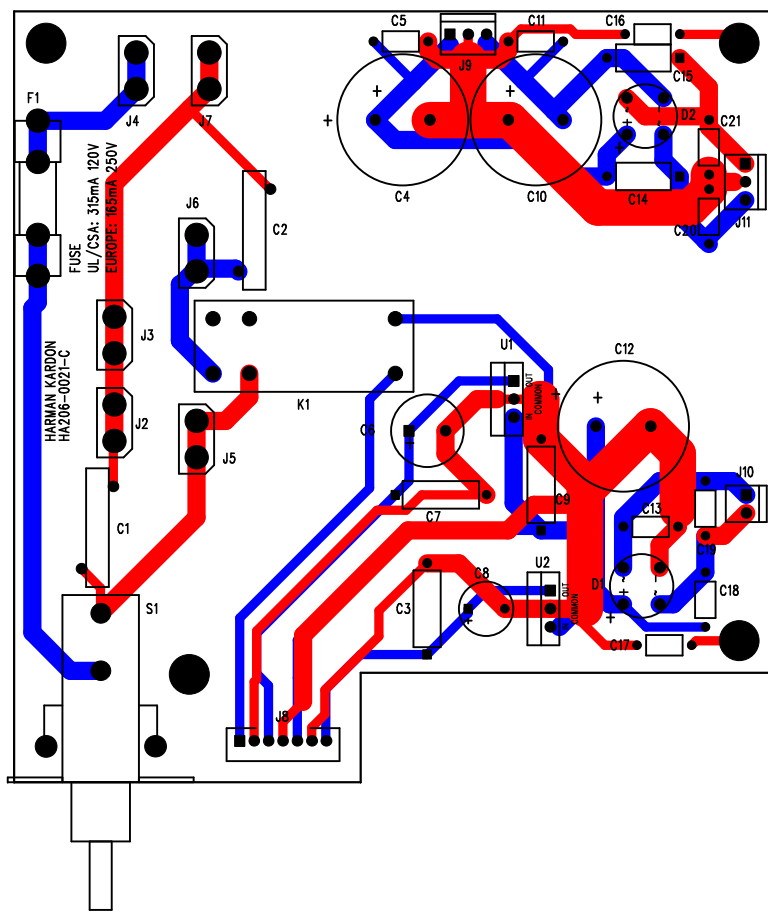
All features and specifications are subject to change without notice.



LAYER DESCRIPTION:
 TOP SIDE SOLDERSCREEN
 GERBER FILE NAME: ast0120.pho

APPROVALS	
INIT	DATE
DESIGNED: P.T.	11/3/98
DRAWN: JC	3/5/99
ELEC:	
MECH:	
Q/A:	
RELEASED:	

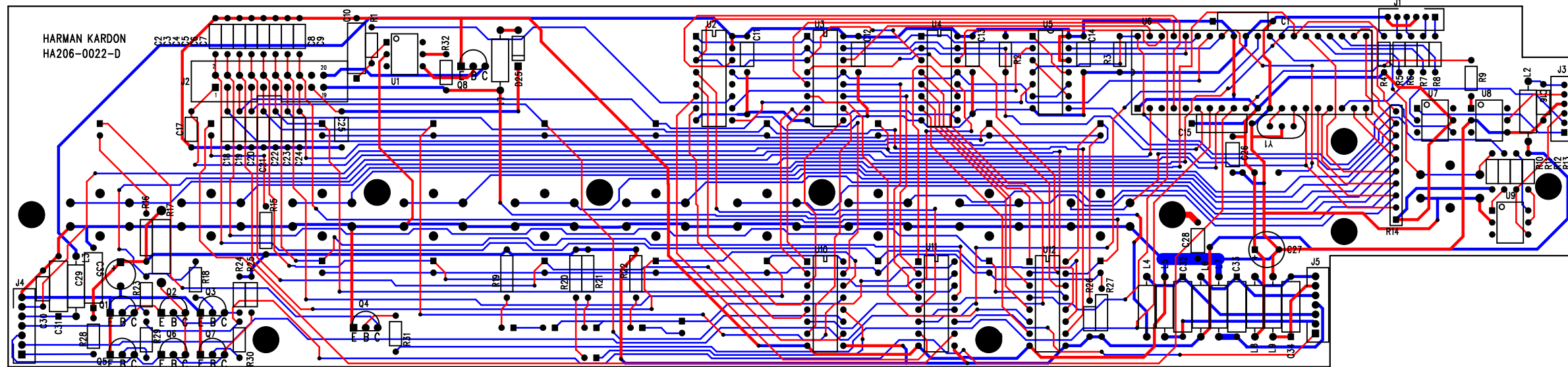
Gallen TECHNOLOGY		2240 PARAGON DRIVE SAN JOSE, CA 95131	
TITLE:	SIG 1.0		
SIZE	DRAWING NO:	REV.	
B	HA145-0020-D	D	
	PART NO:		
	HA5020D		
FILENAME:			
SCALE:			



LAYER DESCRIPTION:
 TOP SIDE SOLDERMASK
 GERBER FILE NAME: **ast0126.pho**

APPROVALS	
INIT	DATE
DESIGNED: P.T.	11/3/98
DRAWN: JC	5/24/99
ELEC:	
MECH:	
Q/A:	
RELEASED:	

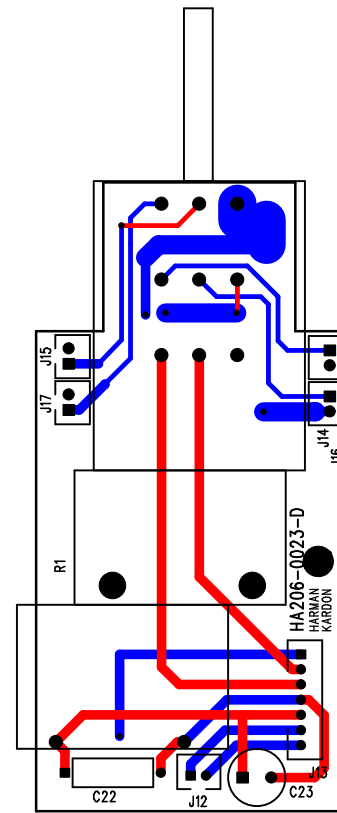
Gallen TECHNOLOGY		2240 PARAGON DRIVE SAN JOSE, CA 95131	
TITLE:	SIG 1.0		
SIZE:	B	DRAWING NO:	HA145-0021-C
		PART NO:	HA5021C
REV.:			C
FILENAME:			
SCALE:			



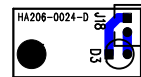
LAYER DESCRIPTION:
TOP SIDE SPOKSTREEN
GERBER FILE NAME: ast0126i.pho

APPROVALS	
INIT	DATE
DESIGNED: P.T.	11/3/98
DRAWN: P.T.	7/8/99
ELEC:	
MECH:	
O/A:	
RELEASED:	

Gallen TECHNOLOGY		2240 PARAGON DRIVE SAN JOSE, CA 95131	
TITLE:	SIG 1.0	SIZE:	DRAWING NO: HA145-0022D
REV.:	D	PART NO:	HA5022D
FILENAME:		SCALE:	



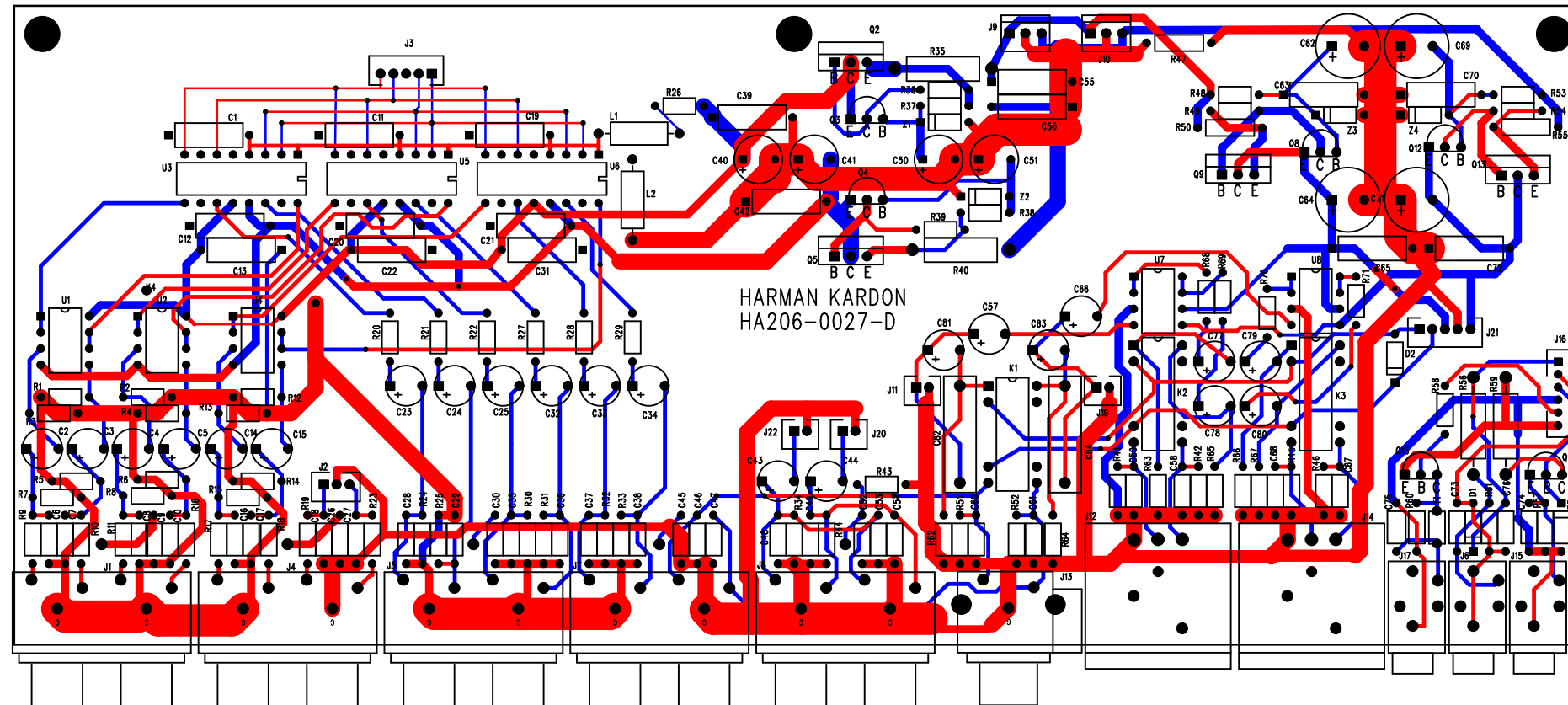
LAYER DESCRIPTION: TOP SIDE SCREEN GERBER FILE NAME: sst0230p100	APPROVALS		Gallen TECHNOLOGY 2240 PARAGON DRIVE SAN JOSE, CA 95131	
	INIT	DATE	TITLE:	SIG 1.0
	DESIGNED: P.T.	11/3/98	SIZE	DRAWING NO: HA145-0023-D
	DRAWN: PT	7/15/99	REV.	D
	ELEC:		FILENAME:	
MECH:		SCALE:		
Q/A:				
RELEASED:				



LAYER DESCRIPTION:
 TOP SIDE SOLDER
 GERBER FILE NAME: st0126.pho

APPROVALS		
INIT	DATE	
DESIGNED: P.T.	11/3/98	
DRAWN: PT	7/15/99	
ELEC:		
MECH:		
Q/A:		
RELEASED:		

Gallen TECHNOLOGY		2240 PARAGON DRIVE SAN JOSE, CA 95131	
TITLE: SIG 1.0			
SIZE	DRAWING NO: HA145-0024-D	REV. D	
B	PART NO: HA5024D		
FILENAME:			
SCALE:			



HARMAN KARDON
HA206-0027-D

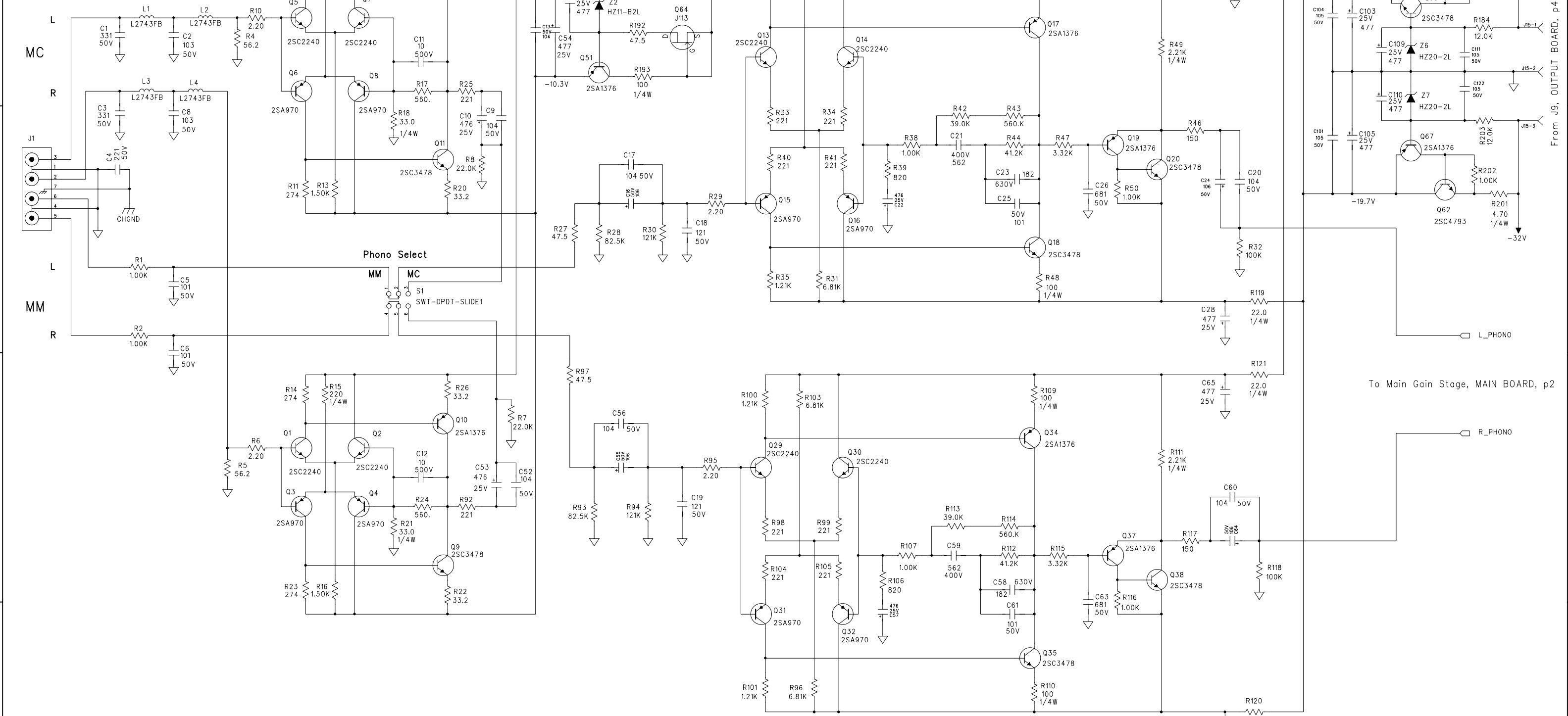
LAYER DESCRIPTION:
TOP SIDE SIGNALS
GERBER FILE NAME: ast0126.pho

APPROVALS	
INIT	DATE
DESIGNED: P.T.	11/3/98
DRAWN: PT	7/15/99
ELEC:	
MECH:	
Q/A:	
RELEASED:	

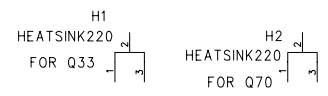
Gallen TECHNOLOGY		2240 PARAGON DRIVE SAN JOSE, CA 95131	
TITLE:	SIG 1.0	SIZE:	B
DRAWING NO:	HA145-0027-D	REV.:	D
PART NO:	HA5027D	FILENAME:	
		SCALE:	

REVISION RECORD			
LTR	ECO NO:	APPROVED	DATE:

Phono Inputs



- MH.125/220 X2
- MH.125/220 X5
- MH.125/220 X3
- MH.125/220 X4
- MH.125/220 X6
- MH.125/220 X1

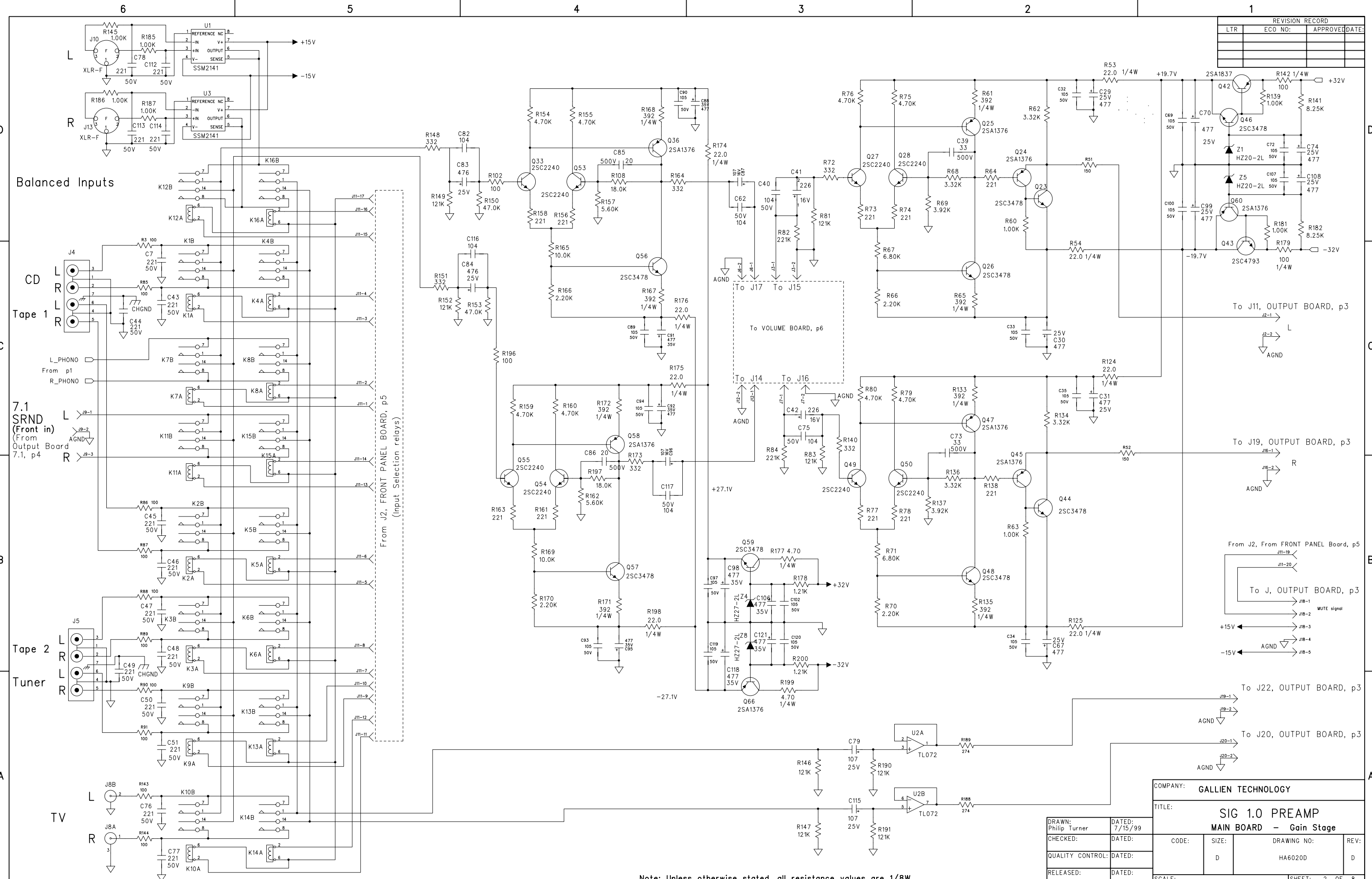


Note: Unless otherwise stated, all resistance values are 1/8W.

DRAWN: Philip Turner	DATED: 3/22/99
CHECKED:	DATED:
QUALITY CONTROL:	DATED:
RELEASED:	DATED:

COMPANY: GALLIEN TECHNOLOGY			
TITLE: SIG 1.0 PREAMP BOARD MAIN BOARD - Phono Stage			
CODE:	SIZE: D	DRAWING NO: HA6020D	REV: D
SCALE:	SHEET: 1 OF 8		

REVISION RECORD			
LTR	ECO NO:	APPROVED	DATE:



To J11, OUTPUT BOARD, p3
L
J2-2
AGND

To J19, OUTPUT BOARD, p3
R
J16-2
AGND

To J, OUTPUT BOARD, p3
J18-1
MUTE signal
J18-2
+15V
AGND
J18-3
-15V
J18-4
J18-5

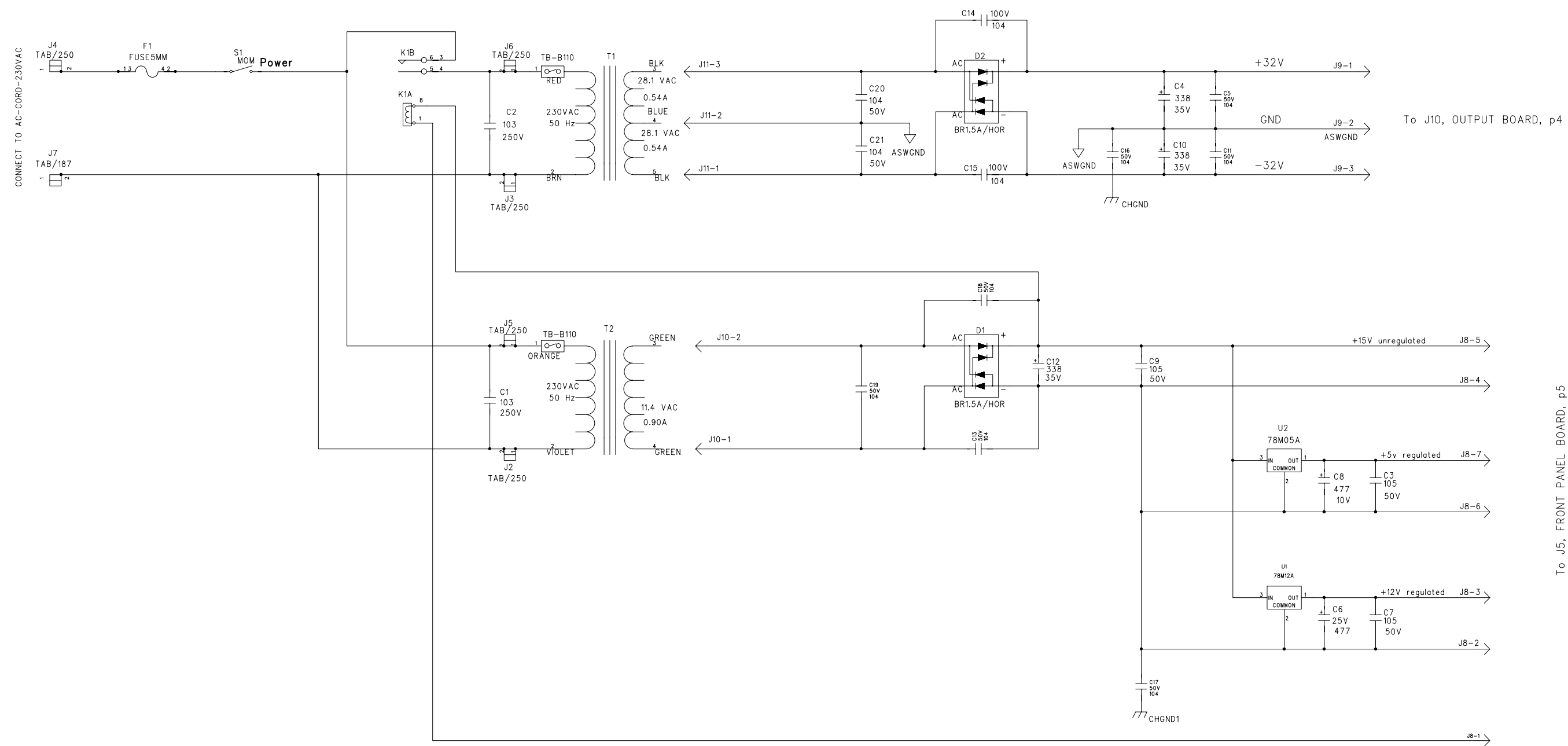
To J22, OUTPUT BOARD, p3
J19-1
AGND
J19-2
To J20, OUTPUT BOARD, p3
J20-1
AGND
J20-2

COMPANY: GALLIEN TECHNOLOGY	
TITLE: SIG 1.0 PREAMP MAIN BOARD - Gain Stage	
CODE: D	SIZE: HA6020D
DRAWING NO: HA6020D	REV: D
SCALE:	SHEET: 2 OF 8

DRAWN: Philip Turner	DATED: 7/15/99
CHECKED:	DATED:
QUALITY CONTROL:	DATED:
RELEASED:	DATED:

Note: Unless otherwise stated, all resistance values are 1/8W.

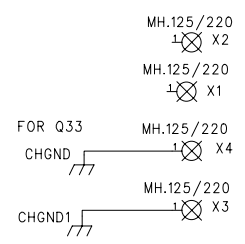
REVISION RECORD			
LTR	ECO NO:	APPROVED	DATE:



To J10, OUTPUT BOARD, p4

To J5, FRONT PANEL BOARD, p5

PC Board Attributes



Note: Unless otherwise stated, all resistance values are 1/8W.

COMPANY: GALLIEN TECHNOLOGY			
TITLE: SIG 1.0 PREAMP SWITCH BOARD - Power Supplies			
DRAWN: Philip Turner	DATED: 5/19/99	CODE:	REV: C
CHECKED:	DATED:	SIZE: D	DRAWING NO: HA6021C
QUALITY CONTROL:	DATED:	SCALE:	SHEET: 8 OF 8
RELEASED:	DATED:		

6

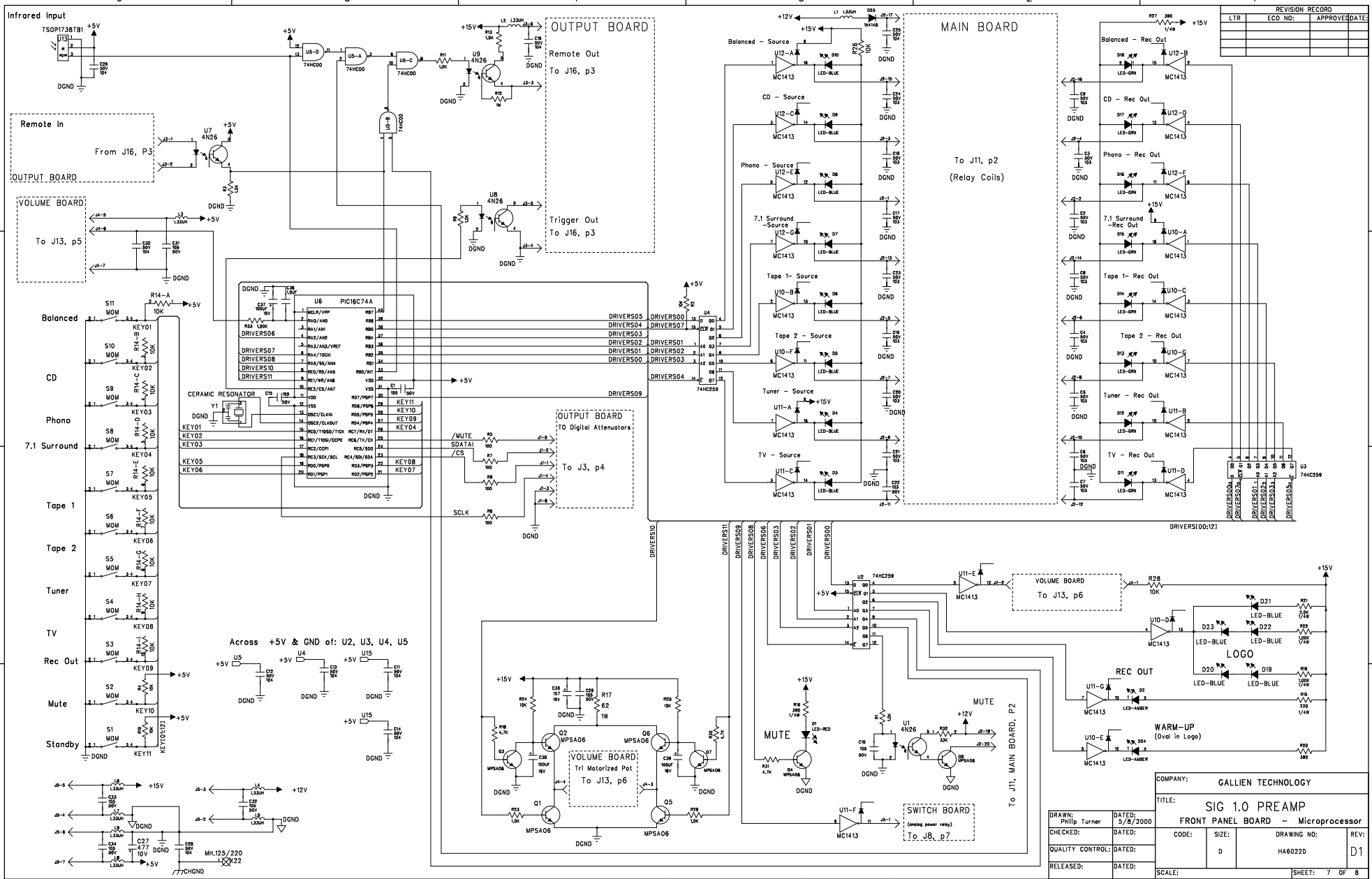
5

4

3

2

1



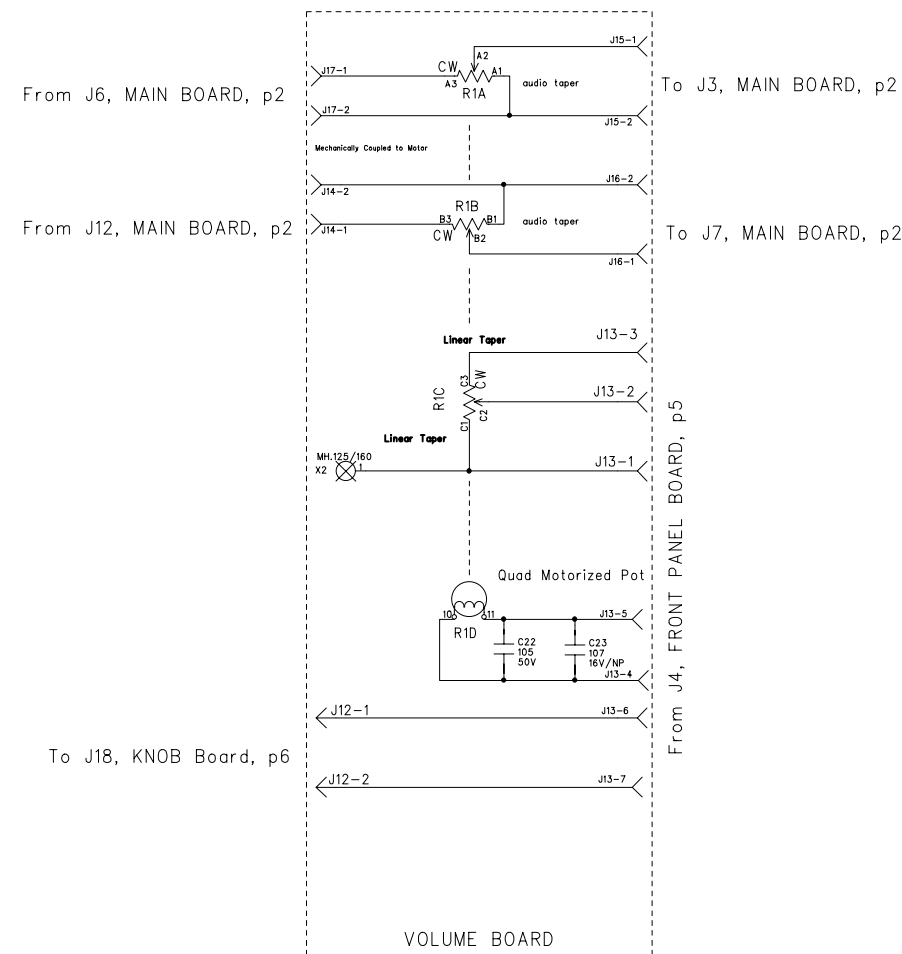
REVISION RECORD		
ECO NO:	APPROVED:	DATE:

Note: Unless otherwise stated, all resistance values are 1/8W.

MH.125/220 1X16 MH.125/220 1X24 MH.125/220 1X17 MH.125/220 1X18 MH.125/220 1X19 MH.125/220 1X25 MH.125/220 1X21 MH.125/220 1X23

DRAWN: Phillip Turner		DATED: 5/8/2000		COMPANY: GALLIEN TECHNOLOGY	
CHECKED:		DATED:		TITLE: SIG 1.0 PREAMP	
QUALITY CONTROL:		DATED:		FRONT PANEL BOARD - Microprocessor	
RELEASED:		DATED:		CODE: D	SIZE: HA6022D
		SCALE:		DRAWING NO: D1	
				REV: 7 OF 8	

REVISION RECORD			
LTR	ECO NO:	APPROVED	DATE:

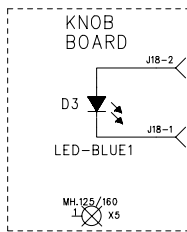


Note: Unless otherwise stated, all resistance values are 1/8W.

DRAWN: Philip Turner	DATED: 7/15/99
CHECKED:	DATED:
QUALITY CONTROL:	DATED:
RELEASED:	DATED:

COMPANY: GALLIEN TECHNOLOGY			
TITLE: SIG 1.0 PREAMP VOLUME BOARD			
CODE:	SIZE: D	DRAWING NO: HA6023D	REV: D
SCALE:		SHEET: 5 OF 8	

REVISION RECORD			
LTR	ECO NO:	APPROVED	DATE:



From J12, VOLUME BOARD, p5

COMPANY: GALLIEN TECHNOLOGY

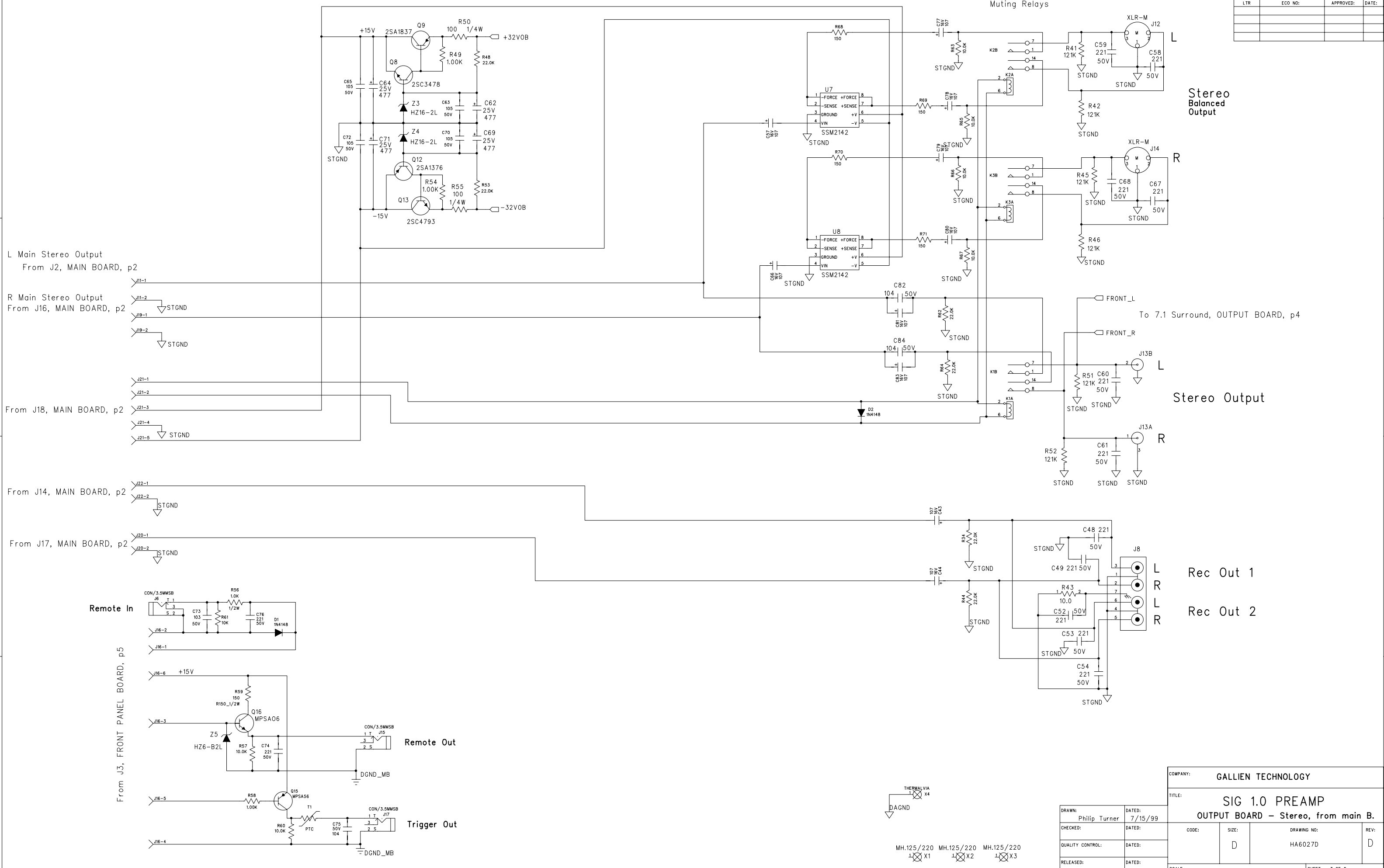
TITLE: SIG 1.0 PREAMP
KNOB BOARD

DRAWN: Philip Turner	DATED: 7/15/99
CHECKED:	DATED:
QUALITY CONTROL:	DATED:
RELEASED:	DATED:

CODE:	SIZE: D	DRAWING NO: HA6024D	REV: D
SCALE:		SHEET: 6 OF 8	

Note: Unless otherwise stated, all resistance values are 1/8W.

REVISION RECORD			
LTR	ECO NO:	APPROVED:	DATE:



COMPANY: GALLIEN TECHNOLOGY			
TITLE: SIG 1.0 PREAMP OUTPUT BOARD - Stereo, from main B.			
CODE:	SIZE: D	DRAWING NO: HA6027D	REV: D
SCALE:	SHEET: 3 OF 8		

DRAWN: Philip Turner	DATED: 7/15/99
CHECKED:	DATED:
QUALITY CONTROL:	DATED:
RELEASED:	DATED:

MH.125/220 X1 MH.125/220 X2 MH.125/220 X3

THERMAL VIA X4
DAGND

D

C

B

A

D

C

B

A

L Main Stereo Output
From J2, MAIN BOARD, p2

R Main Stereo Output
From J16, MAIN BOARD, p2

From J18, MAIN BOARD, p2

From J14, MAIN BOARD, p2

From J17, MAIN BOARD, p2

Remote In

From J3, FRONT PANEL BOARD, p5

Remote Out

Trigger Out

Stereo
Balanced
Output

Stereo Output

Rec Out 1

Rec Out 2

To 7.1 Surround, OUTPUT BOARD, p4

L
R
L
R

REVISION RECORD			
LTR	ECO NO:	APPROVED	DATE:

D

D

C

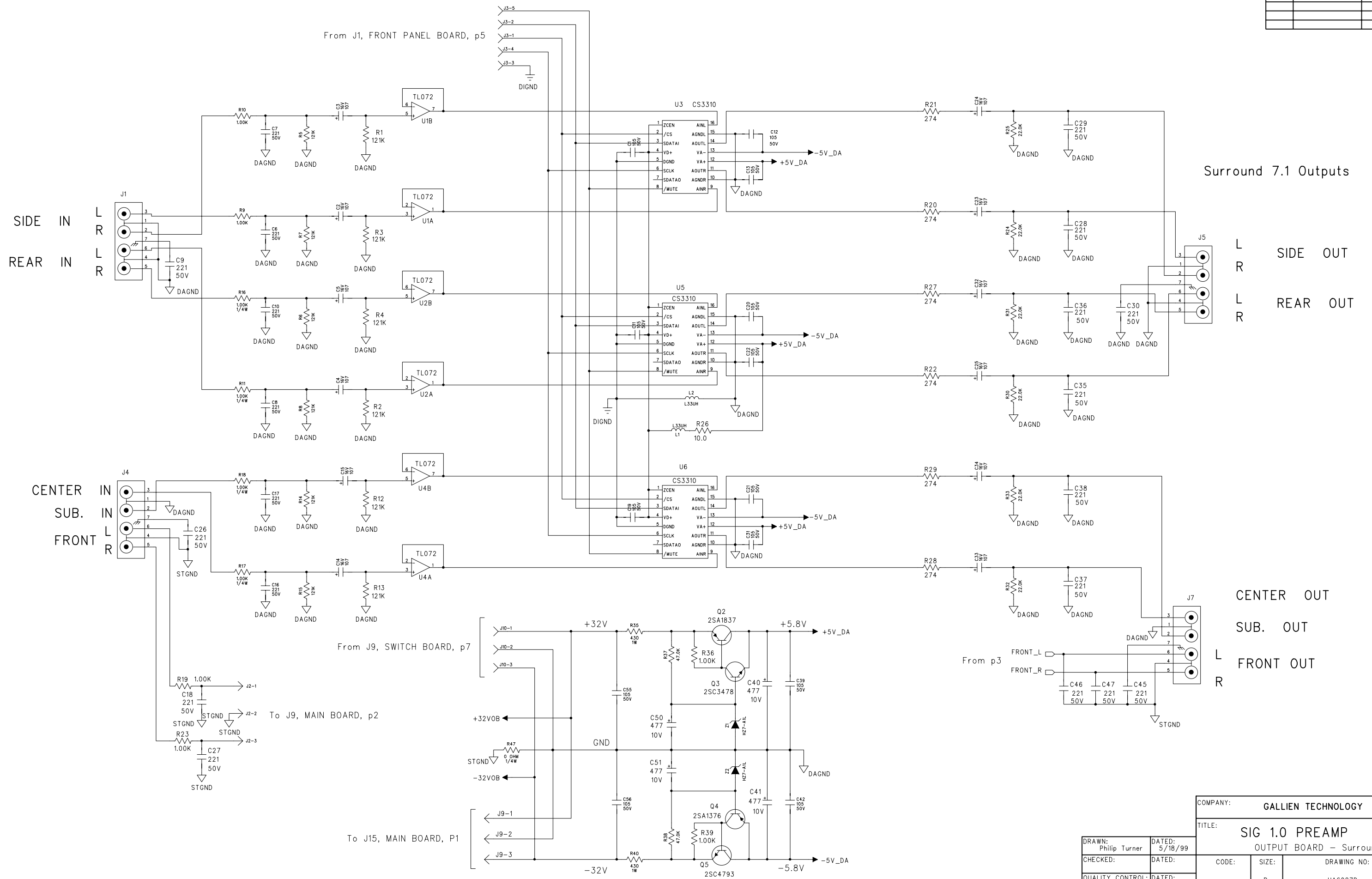
C

B

B

A

A



Unless otherwise stated, all resistance values are 1/8W.

COMPANY: GALLIEN TECHNOLOGY	
TITLE: SIG 1.0 PREAMP OUTPUT BOARD - Surround 7.1	
DRAWN: Philip Turner	DATED: 5/18/99
CHECKED:	DATED:
QUALITY CONTROL:	DATED:
RELEASED:	DATED:
CODE: D	SIZE: D
DRAWING NO: HA6027D	REV: D
SCALE:	SHEET: 4 OF 8

Sig 1.0

Front Panel materials.txt

Bill Of Materials for HA6022Cfpanel.sch on Fri Jun 11 07:38:26 1999

PART NUMBER	Reference	Part Name	Description
020-1000-0	D25	1N4148	RECT-FAST, 200MA, 100V, 4NS, DO-35
001-0004-0	U1	4N26	4N26 OPTO-COUPLER SIX PIN 1.5KV
001-0004-0	U7	4N26	4N26 OPTO-COUPLER SIX PIN 1.5KV
001-0004-0	U8	4N26	4N26 OPTO-COUPLER SIX PIN 1.5KV
001-0004-0	U9	4N26	4N26 OPTO-COUPLER SIX PIN 1.5KV
002-0006-0	U5	74HC00	74HC00N, NAND GATE, QUAD, 2IN
002-1259-0	U2	74HC259	74HC259, EIGHT-BIT ADDRESSABLE LATCH
002-1259-0	U3	74HC259	74HC259, EIGHT-BIT ADDRESSABLE LATCH
002-1259-0	U4	74HC259	74HC259, EIGHT-BIT ADDRESSABLE LATCH
030-2103-0	C2	C103C50V	CAP CER AXIAL, 103, 10%, 50V, NPO
030-2103-0	C3	C103C50V	CAP CER AXIAL, 103, 10%, 50V, NPO
030-2103-0	C4	C103C50V	CAP CER AXIAL, 103, 10%, 50V, NPO
030-2103-0	C5	C103C50V	CAP CER AXIAL, 103, 10%, 50V, NPO
030-2103-0	C6	C103C50V	CAP CER AXIAL, 103, 10%, 50V, NPO
030-2103-0	C7	C103C50V	CAP CER AXIAL, 103, 10%, 50V, NPO
030-2103-0	C8	C103C50V	CAP CER AXIAL, 103, 10%, 50V, NPO
030-2103-0	C9	C103C50V	CAP CER AXIAL, 103, 10%, 50V, NPO
030-2103-0	C17	C103C50V	CAP CER AXIAL, 103, 10%, 50V, NPO
030-2103-0	C18	C103C50V	CAP CER AXIAL, 103, 10%, 50V, NPO
030-2103-0	C19	C103C50V	CAP CER AXIAL, 103, 10%, 50V, NPO
030-2103-0	C20	C103C50V	CAP CER AXIAL, 103, 10%, 50V, NPO
030-2103-0	C21	C103C50V	CAP CER AXIAL, 103, 10%, 50V, NPO
030-2103-0	C22	C103C50V	CAP CER AXIAL, 103, 10%, 50V, NPO
030-2103-0	C23	C103C50V	CAP CER AXIAL, 103, 10%, 50V, NPO
030-2103-0	C24	C103C50V	CAP CER AXIAL, 103, 10%, 50V, NPO
030-2104-1	C11	C104C50V1	CAP CER AXIAL, 104, 20%, 50V, Z5U
030-2104-1	C12	C104C50V1	CAP CER AXIAL, 104, 20%, 50V, Z5U
030-2104-1	C13	C104C50V1	CAP CER AXIAL, 104, 20%, 50V, Z5U
030-2104-1	C14	C104C50V1	CAP CER AXIAL, 104, 20%, 50V, Z5U
030-2104-1	C16	C104C50V1	CAP CER AXIAL, 104, 20%, 50V, Z5U
030-2104-1	C25	C104C50V1	CAP CER AXIAL, 104, 20%, 50V, Z5U
030-2104-1	C26	C104C50V1	CAP CER AXIAL, 104, 20%, 50V, Z5U
030-2104-1	C28	C104C50V1	CAP CER AXIAL, 104, 20%, 50V, Z5U
030-2104-1	C30	C104C50V1	CAP CER AXIAL, 104, 20%, 50V, Z5U

Front Panel materials.txt

030-2105-0	C1	C105C50V	CAP CER AXIAL,105,20%,50V,Z5U
030-2105-0	C10	C105C50V	CAP CER AXIAL,105,20%,50V,Z5U
030-2105-0	C15	C105C50V	CAP CER AXIAL,105,20%,50V,Z5U
030-2105-0	C29	C105C50V	CAP CER AXIAL,105,20%,50V,Z5U
030-2105-0	C31	C105C50V	CAP CER AXIAL,105,20%,50V,Z5U
030-2105-0	C32	C105C50V	CAP CER AXIAL,105,20%,50V,Z5U
030-2105-0	C33	C105C50V	CAP CER AXIAL,105,20%,50V,Z5U
030-2105-0	C34	C105C50V	CAP CER AXIAL,105,20%,50V,Z5U
031-0107-0	C35	C107L16	CAP,ELEC,RAD,107,-10%,+50%, 16V
031-0477-0	C27	C477L10	CAP,ELEC,RAD,477,20%,10V
094-0040-0	U6	DIP40-600SOCKE T	SKT,DIP40X.6
093-2000-0	J2	HDR.1X2X10	HDR,.1X2X10, VERT, MALE, SHROUDED
093-2005-0	J4	HDR2MMX7	HDR,2MMX7,VERT,SHROUDED
093-2005-0	J5	HDR2MMX7	HDR,2MMX7,VERT,SHROUDED
093-0151-0	J1	HDR2MMX5VM	HDR,2MMX5,VERT,MALE,LOCKING
093-0024-0	J3	HDR2MMX6VM	HDR,2MMX6,VERT,MALE
081-0010-0	L1	L33UH	INDUCTOR,AX,HIQ,33UH
081-0010-0	L2	L33UH	INDUCTOR,AX,HIQ,33UH
081-0010-0	L3	L33UH	INDUCTOR,AX,HIQ,33UH
081-0010-0	L4	L33UH	INDUCTOR,AX,HIQ,33UH
081-0010-0	L5	L33UH	INDUCTOR,AX,HIQ,33UH
081-0010-0	L6	L33UH	INDUCTOR,AX,HIQ,33UH
081-0010-0	L7	L33UH	INDUCTOR,AX,HIQ,33UH
081-0010-0	L8	L33UH	INDUCTOR,AX,HIQ,33UH
081-0010-0	L9	L33UH	INDUCTOR,AX,HIQ,33UH
025-0024-0	D2	LED-AMBER	LED,AMBER,T1,580NM
025-0024-0	D24	LED-AMBER	LED,AMBER,T1,580NM
025-0030-2	D3	LED-BLUE	LED,BLUE,T1,.190,470NM, E1L4E-5B
025-0030-2	D4	LED-BLUE	LED,BLUE,T1,.190,470NM, E1L4E-5B
025-0030-2	D5	LED-BLUE	LED,BLUE,T1,.190,470NM, E1L4E-5B
025-0030-2	D6	LED-BLUE	LED,BLUE,T1,.190,470NM, E1L4E-5B
025-0030-2	D7	LED-BLUE	LED,BLUE,T1,.190,470NM, E1L4E 5B
025-0030-2	D8	LED-BLUE	LED,BLUE,T1,.190,470NM, E1L4E-5B
025-0030-2	D9	LED-BLUE	LED,BLUE,T1,.190,470NM, E1L4E-5B
025-0030-2	D10	LED-BLUE	LED,BLUE,T1,.190,470NM, E1L4E-5B

Front Panel materials.txt

025-0030-2	D19	LED-BLUE	LED,BLUE,T1,.190,470NM, E1L4E-5B
025-0030-2	D20	LED-BLUE	LED,BLUE,T1,.190,470NM, E1L4E-5B
025-0030-2	D21	LED-BLUE	LED,BLUE,T1,.190,470NM, E1L4E-5B
025-0030-2	D22	LED-BLUE	LED,BLUE,T1,.190,470NM, E1L4E-5B
025-0030-2	D23	LED-BLUE	LED,BLUE,T1,.190,470NM, E1L4E-5B
025-0120-0	D11	LED-GRN	LED,RED,3MM,555NM,12MCD, 20MA,20DEG
025-0120-0	D12	LED-GRN	LED,RED,3MM,555NM,12MCD, 20MA,20DEG
025-0120-0	D13	LED-GRN	LED,RED,3MM,555NM,12MCD, 20MA,20DEG
025-0120-0	D14	LED-GRN	LED,RED,3MM,555NM,12MCD, 20MA,20DEG
025-0120-0	D15	LED-GRN	LED,RED,3MM,555NM,12MCD, 20MA,20DEG
025-0120-0	D16	LED-GRN	LED,RED,3MM,555NM,12MCD, 20MA,20DEG
025-0120-0	D17	LED-GRN	LED,RED,3MM,555NM,12MCD, 20MA,20DEG
025-0120-0	D18	LED-GRN	LED,RED,3MM,555NM,12MCD, 20MA,20DEG
025-0117-0	D1	LED-RED	LED,RED,3MM,660NM,45MCD, 20MA,20DEG
001-2003-0	U10	MC1413	ULN-2003
001-2003-0	U11	MC1413	ULN-2003
001-2003-0	U12	MC1413	ULN-2003
000-0000-0	X16	MH.125/220	.125 HOLE, .220 PAD
000-0000-0	X17	MH.125/220	.125 HOLE, .220 PAD
000-0000-0	X18	MH.125/220	.125 HOLE, .220 PAD
000-0000-0	X19	MH.125/220	.125 HOLE, .220 PAD
000-0000-0	X20	MH.125/220	.125 HOLE, .220 PAD
000 0000 0	X21	MH.125/220	.125 HOLE, .220 PAD
000-0000-0	X22	MH.125/220	.125 HOLE, .220 PAD
000-0000-0	X23	MH.125/220	.125 HOLE, .220 PAD
000-0000-0	X24	MH.125/220	.125 HOLE, .220 PAD
000-0000-0	X25	MH.125/220	.125 HOLE, .220 PAD
010-0012-0	Q1	MPSA06	MPSA06, NPN,80V,500MA,TO-92
010-0012-0	Q2	MPSA06	MPSA06, NPN,80V,500MA,TO-92
010-0012-0	Q3	MPSA06	MPSA06, NPN,80V,500MA,TO-92
010-0012-0	Q4	MPSA06	MPSA06, NPN,80V,500MA,TO-92
010-0012-0	O5	MPSA06	MPSA06, NPN,80V,500MA,TO-92

Front Panel materials.txt

010-0012-0	Q6	MPSA06	MPSA06, NPN, 80V, 500MA, TO-92
010-0012-0	Q7	MPSA06	MPSA06, NPN, 80V, 500MA, TO-92
010-0012-0	Q8	MPSA06	MPSA06, NPN, 80V, 500MA, TO-92
052-1002-0	R22	R1.00K1/4W	RES, METAL FILM, 1/4W, 1%
052-0100-0	R19	R1.00_1/4W	RES, METAL FILM, 1.00 OHM, 1/4W, 1%
050-1002-0	R1	R1.0K1/8W	RES, CARBON FILM, 1K OHM, 1/8W, 5%
050-1002-0	R3	R1.0K1/8W	RES, CARBON FILM, 1K OHM, 1/8W, 5%
050-1002-0	R9	R1.0K1/8W	RES, CARBON FILM, 1K OHM, 1/8W, 5%
050-1002-0	R11	R1.0K1/8W	RES, CARBON FILM, 1K OHM, 1/8W, 5%
050-1002-0	R13	R1.0K1/8W	RES, CARBON FILM, 1K OHM, 1/8W, 5%
050-1002-0	R23	R1.0K1/8W	RES, CARBON FILM, 1K OHM, 1/8W, 5%
050-1002-0	R29	R1.0K1/8W	RES, CARBON FILM, 1K OHM, 1/8W, 5%
050-1001-0	R5	R100_1/8W	RES, CARBON FILM, 100 OHM, 1/8W, 5%
050-1001-0	R6	R100_1/8W	RES, CARBON FILM, 100 OHM, 1/8W, 5%
050-1001-0	R7	R100_1/8W	RES, CARBON FILM, 100 OHM, 1/8W, 5%
050-1001-0	R8	R100_1/8W	RES, CARBON FILM, 100 OHM, 1/8W, 5%
050-1003-0	R2	R10K1/8W	RES, CARBON FILM, 10K OHM, 1/8W, 5%
050-1003-0	R4	R10K1/8W	RES, CARBON FILM, 10K OHM, 1/8W, 5%
050-1003-0	R10	R10K1/8W	RES, CARBON FILM, 10K OHM, 1/8W, 5%
050-1003-0	R24	R10K1/8W	RES, CARBON FILM, 10K OHM, 1/8W, 5%
050-1003-0	R25	R10K1/8W	RES, CARBON FILM, 10K OHM, 1/8W, 5%
050-1003-0	R26	R10K1/8W	RES, CARBON FILM, 10K OHM, 1/8W, 5%
050-1003-0	R28	R10K1/8W	RES, CARBON FILM, 10K OHM, 1/8W, 5%
050-1005-0	R12	R1M1/8W	RES, CARBON FILM, 1M OHM, 1/8W, 5%
051-2002-0	R21	R2.0K1/4W	RES, CARBON FILM, 1/4W
051-2201-0	R15	R220_1/4W	RES, CARBON FILM, 1/4W

Front Panel materials.txt

050-3303-0	R32	R33K1/8W	RES, CARBON FILM, 33K OHM, 1/8W, 5%
051-3901-1	R16	R390_1/4W	RES, CARBON FILM, 390 OHM, 1/4W, 5%
051-3901-1	R20	R390_1/4W	RES, CARBON FILM, 390 OHM, 1/4W, 5%
051-3901-1	R27	R390_1/4W	RES, CARBON FILM, 390 OHM, 1/4W, 5%
050-4702-0	R18	R4.7K1/8W	RES, CARBON FILM, 4.7K OHM, 1/8W, 5%
050-4702-0	R30	R4.7K1/8W	RES, CARBON FILM, 4.7K OHM, 1/8W, 5%
050-4702-0	R31	R4.7K1/8W	RES, CARBON FILM, 4.7K OHM, 1/8W, 5%
054-0621-0	R17	R62_1W	RES, CARBON FILM, 62 OHM, 1W
058-1003-0	R14	RES-SIP10P9R	RES, SIP 10K OHMS X 9
090-0040-1	S1	SW-1PST-MOM-B3 F	SWITCH, PC, SPST, MOM, B3F-4050
090-0040-1	S2	SW-1PST-MOM-B3 F	SWITCH, PC, SPST, MOM, B3F-4050
090-0040-1	S3	SW-1PST-MOM-B3 F	SWITCH, PC, SPST, MOM, B3F-4050
090-0040-1	S4	SW-1PST-MOM-B3 F	SWITCH, PC, SPST, MOM, B3F-4050
090-0040-1	S5	SW-1PST-MOM-B3 F	SWITCH, PC, SPST, MOM, B3F-4050
090-0040-1	S6	SW-1PST-MOM-B3 F	SWITCH, PC, SPST, MOM, B3F-4050
090-0040-1	S7	SW-1PST-MOM-B3 F	SWITCH, PC, SPST, MOM, B3F-4050
090-0040-1	S8	SW-1PST-MOM-B3 F	SWITCH, PC, SPST, MOM, B3F-4050
090-0040-1	S9	SW-1PST-MOM-B3 F	SWITCH, PC, SPST, MOM, B3F-4050
090-0040-1	S10	SW-1PST-MOM-B3 F	SWITCH, PC, SPST, MOM, B3F-4050
090-0040-1	S11	SW-1PST MOM B3 F	SWITCH, PC, SPST, MOM, B3F-4050
025-0003-0	U13	TSOP1738TB1	IR RECEIVER, 38KHZ, W/CLIP, TFMT5380
024-0006-0	Y1	XTAL4MHZ	CRYSTAL, 4 MHZ, CERALOCK, PRIME TIME

Knob materials.txt

Bill Of Materials for HA6024Cknob.sch on Fri Jun 11 07:40:12 1999

PART NUMBER	Reference	Part Name	Description
093-0051-0	J18	HDR2MMX2VM	HDR, 2MMX2, VERT, MALE, LOCK
025-0030-2	D3	LED-BLUE1	LED, BLUE, T1, .190, 470NM, E1L4E-5B
000-0000-0	X5	MH.125/160	.125 HOLE, .160 PAD

Main parts.txt

Bill Of Materials for HA6020Cmain.sch on Fri Jul 02 15:09:41 1999

Reference	PART NUMBER	Part Name	Description
Q3	010-1010-0	2SA970	2SA970, PNP, 120V, 100MA, TO-92
Q4	010-1010-0	2SA970	2SA970, PNP, 120V, 100MA, TO-92
Q6	010-1010-0	2SA970	2SA970, PNP, 120V, 100MA, TO-92
Q8	010-1010-0	2SA970	2SA970, PNP, 120V, 100MA, TO-92
Q15	010-1010-0	2SA970	2SA970, PNP, 120V, 100MA, TO-92
Q16	010-1010-0	2SA970	2SA970, PNP, 120V, 100MA, TO-92
Q31	010-1010-0	2SA970	2SA970, PNP, 120V, 100MA, TO-92
Q32	010-1010-0	2SA970	2SA970, PNP, 120V, 100MA, TO-92
Q10	010-1002-0	2SA1376	2SA1376, PNP, 180V, 100MA, TO-92
Q12	010-1002-0	2SA1376	2SA1376, PNP, 180V, 100MA, TO-92
Q17	010-1002-0	2SA1376	2SA1376, PNP, 180V, 100MA, TO-92
Q19	010-1002-0	2SA1376	2SA1376, PNP, 180V, 100MA, TO-92
Q24	010-1002-0	2SA1376	2SA1376, PNP, 180V, 100MA, TO-92
Q25	010-1002-0	2SA1376	2SA1376, PNP, 180V, 100MA, TO-92
Q34	010-1002-0	2SA1376	2SA1376, PNP, 180V, 100MA, TO-92
Q36	010-1002-0	2SA1376	2SA1376, PNP, 180V, 100MA, TO-92
Q37	010-1002-0	2SA1376	2SA1376, PNP, 180V, 100MA, TO-92
Q45	010-1002-0	2SA1376	2SA1376, PNP, 180V, 100MA, TO-92
Q47	010-1002-0	2SA1376	2SA1376, PNP, 180V, 100MA, TO-92
Q51	010-1002-0	2SA1376	2SA1376, PNP, 180V, 100MA, TO-92
Q58	010-1002-0	2SA1376	2SA1376, PNP, 180V, 100MA, TO-92
Q60	010-1002-0	2SA1376	2SA1376, PNP, 180V, 100MA, TO-92
Q66	010-1002-0	2SA1376	2SA1376, PNP, 180V, 100MA, TO-92
Q67	010-1002-0	2SA1376	2SA1376, PNP, 180V, 100MA, TO-92
Q42	012-1002-0	2SA1837	2SA1837, PNP, 200V, 1.5A, 2-10R1A
Q61	012-1002-0	2SA1837	2SA1837, PNP, 200V, 1.5A, 2-10R1A
Q1	010-0010-0	2SC2240	2SC2240, NPN, 120V, 100MA, 300MW, TO92
Q2	010-0010-0	2SC2240	2SC2240, NPN, 120V, 100MA, 300MW, TO92
Q5	010-0010-0	2SC2240	2SC2240, NPN, 120V, 100MA, 300MW, TO92
Q7	010-0010-0	2SC2240	2SC2240, NPN, 120V, 100MA, 300MW, TO92

Main parts.txt

Q13	010-0010-0	2SC2240	2SC2240, NPN, 120V,100MA, 300MW, TO92
Q14	010-0010-0	2SC2240	2SC2240, NPN, 120V,100MA, 300MW, TO92
Q27	010-0010-0	2SC2240	2SC2240, NPN, 120V,100MA, 300MW, TO92
Q28	010-0010-0	2SC2240	2SC2240, NPN, 120V,100MA, 300MW, TO92
Q29	010-0010-0	2SC2240	2SC2240, NPN, 120V,100MA, 300MW, TO92
Q30	010-0010-0	2SC2240	2SC2240, NPN, 120V,100MA, 300MW, TO92
Q33	010-0010-0	2SC2240	2SC2240, NPN, 120V,100MA, 300MW, TO92
Q49	010-0010-0	2SC2240	2SC2240, NPN, 120V,100MA, 300MW, TO92
Q50	010-0010-0	2SC2240	2SC2240, NPN, 120V,100MA, 300MW, TO92
Q53	010-0010-0	2SC2240	2SC2240, NPN, 120V,100MA, 300MW, TO92
Q54	010-0010-0	2SC2240	2SC2240, NPN, 120V,100MA, 300MW, TO92
Q55	010-0010-0	2SC2240	2SC2240, NPN, 120V,100MA, 300MW, TO92
Q9	010-0001-0	2SC3478	2SC3478, NPN,180V,100MA,TO-92
Q11	010-0001-0	2SC3478	2SC3478, NPN,180V,100MA,TO-92
Q18	010-0001-0	2SC3478	2SC3478, NPN,180V,100MA,TO-92
Q20	010-0001-0	2SC3478	2SC3478, NPN,180V,100MA,TO-92
Q23	010-0001-0	2SC3478	2SC3478, NPN,180V,100MA,TO-92
Q26	010-0001-0	2SC3478	2SC3478, NPN,180V,100MA,TO-92
Q35	010-0001-0	2SC3478	2SC3478, NPN,180V,100MA,TO-92
Q38	010-0001-0	2SC3478	2SC3478, NPN,180V,100MA,TO-92
Q44	010-0001-0	2SC3478	2SC3478, NPN,180V,100MA,TO-92
Q46	010-0001-0	2SC3478	2SC3478, NPN,180V,100MA,TO-92
Q48	010-0001-0	2SC3478	2SC3478, NPN,180V,100MA,TO-92
Q52	010-0001-0	2SC3478	2SC3478, NPN,180V,100MA,TO-92
Q56	010-0001-0	2SC3478	2SC3478, NPN,180V,100MA,TO-92
Q57	010-0001-0	2SC3478	2SC3478, NPN,180V,100MA,TO-92
Q59	010-0001-0	2SC3478	2SC3478, NPN,180V,100MA,TO-92
Q63	010-0001-0	2SC3478	2SC3478, NPN,180V,100MA,TO-92
Q43	012-0002-0	2SC4793	2SC4793,NPN,200V,1.5A,2-10R1A
Q62	012-0002-0	2SC4793	2SC4793,NPN,200V,1.5A,2-10R1A
C5	035-2101-0	C101P50V	CAP,POLYPROPYLENE,FILM/FOIL, 101,5%, 50V
C6	035-2101-0	C101P50V	CAP,POLYPROPYLENE,FILM/FOIL, 101,5%, 50V

Main parts.txt

C25	035-2101-0	C101P50V	CAP, POLYPROPYLENE, FILM/FOIL, 101,5%, 50V
C61	035-2101-0	C101P50V	CAP, POLYPROPYLENE, FILM/FOIL, 101,5%, 50V
C2	035-2103-0	C103P50V	CAP, POLYPROPYLENE, FILM/FOIL, 103,5%, 50V
C8	035-2103-0	C103P50V	CAP, POLYPROPYLENE, FILM/FOIL, 103,5%, 50V
C13	030-2104-1	C104C50V1	CAP CER AXIAL, 104, 20%, 50V, Z5U
C14	030-2104-1	C104C50V1	CAP CER AXIAL, 104, 20%, 50V, Z5U
C9	035-2104-0	C104P50V	CAP, POLYPROPYLENE, FILM/FOIL, 104,5%, 50V
C17	035-2104-0	C104P50V	CAP, POLYPROPYLENE, FILM/FOIL, 104,5%, 50V
C20	035-2104-0	C104P50V	CAP, POLYPROPYLENE, FILM/FOIL, 104,5%, 50V
C40	035-2104-0	C104P50V	CAP, POLYPROPYLENE, FILM/FOIL, 104,5%, 50V
C52	035-2104-0	C104P50V	CAP, POLYPROPYLENE, FILM/FOIL, 104,5%, 50V
C56	035-2104-0	C104P50V	CAP, POLYPROPYLENE, FILM/FOIL, 104,5%, 50V
C60	035-2104-0	C104P50V	CAP, POLYPROPYLENE, FILM/FOIL, 104,5%, 50V
C62	035-2104-0	C104P50V	CAP, POLYPROPYLENE, FILM/FOIL, 104,5%, 50V
C75	035-2104-0	C104P50V	CAP, POLYPROPYLENE, FILM/FOIL, 104,5%, 50V
C82	035-2104-0	C104P50V	CAP, POLYPROPYLENE, FILM/FOIL, 104,5%, 50V
C116	035-2104-0	C104P50V	CAP, POLYPROPYLENE, FILM/FOIL, 104,5%, 50V
C117	035-2104-0	C104P50V	CAP, POLYPROPYLENE, FILM/FOIL, 104,5%, 50V
C32	030-2105-0	C105C50V	CAP CER AXIAL, 105, 20%, 50V, Z5U
C33	030-2105-0	C105C50V	CAP CER AXIAL, 105, 20%, 50V, Z5U
C34	030-2105-0	C105C50V	CAP CER AXIAL, 105, 20%, 50V, Z5U
C35	030-2105-0	C105C50V	CAP CER AXIAL, 105, 20%, 50V, Z5U
C69	030-2105-0	C105C50V	CAP CER AXIAL, 105, 20%, 50V, Z5U
C72	030 2105 0	C105C50V	CAP CER AXIAL, 105, 20%, 50V, Z5U
C89	030-2105-0	C105C50V	CAP CER AXIAL, 105, 20%, 50V, Z5U
C90	030-2105-0	C105C50V	CAP CER AXIAL, 105, 20%, 50V, Z5U
C93	030-2105-0	C105C50V	CAP CER AXIAL, 105, 20%, 50V, Z5U
C94	030-2105-0	C105C50V	CAP CER AXIAL, 105, 20%, 50V, Z5U
C97	030-2105-0	C105C50V	CAP CER AXIAL, 105, 20%, 50V, Z5U
C100	030-2105-0	C105C50V	CAP CER AXIAL, 105, 20%, 50V, Z5U

Main parts.txt

C101	030-2105-0	C105C50V	CAP CER AXIAL,105,20%,50V,Z5U
C102	030-2105-0	C105C50V	CAP CER AXIAL,105,20%,50V,Z5U
C104	030-2105-0	C105C50V	CAP CER AXIAL,105,20%,50V,Z5U
C107	030-2105-0	C105C50V	CAP CER AXIAL,105,20%,50V,Z5U
C111	030-2105-0	C105C50V	CAP CER AXIAL,105,20%,50V,Z5U
C119	030-2105-0	C105C50V	CAP CER AXIAL,105,20%,50V,Z5U
C120	030-2105-0	C105C50V	CAP CER AXIAL,105,20%,50V,Z5U
C122	030-2105-0	C105C50V	CAP CER AXIAL,105,20%,50V,Z5U
C16	031-2106-0	C106L50	CAP,ELEC,RAD,106,-10%+50%, 50V
C24	031-2106-0	C106L50	CAP,ELEC,RAD,106,-10%+50%, 50V
C55	031-2106-0	C106L50	CAP,ELEC,RAD,106,-10%+50%, 50V
C64	031-2106-0	C106L50	CAP,ELEC,RAD,106,-10%+50%, 50V
C87	031-0107-0	C107L16	CAP,ELEC,RAD,107,-10%,+50%, 16V
C96	031-0107-0	C107L16	CAP,ELEC,RAD,107,-10%,+50%, 16V
C79	031-1107-0	C107L25	CAP,ELEC,RAD,107,25V
C115	031-1107-0	C107L25	CAP,ELEC,RAD,107,25V
C11	035-8100-0	C10M500V	CAP,MICA,10PF,5%,500V
C12	035-8100-0	C10M500V	CAP,MICA,10PF,5%,500V
C18	035-2121-0	C121P50V	CAP,POLYPROPYLENE,FILM/FOIL, 121,5%,50V
C19	035-2121-0	C121P50V	CAP,POLYPROPYLENE,FILM/FOIL, 121,5%,50V
C23	035-2182-0	C182P630V	CAP,POLYPROPYLENE,FILM/FOIL, 182,5%,630V
C58	035-2182-0	C182P630V	CAP,POLYPROPYLENE,FILM/FOIL, 182,5%,630V
C85	035-8200-0	C20M500V	CAP,MICA,20PF,5%,500V
C86	035-8200-0	C20M500V	CAP,MICA,20PF,5%,500V
C4	030-2221-0	C221C50V	CAP CER AXIAL,221,10%,50V,NPO
C7	030-2221-0	C221C50V	CAP CER AXIAL,221,10%,50V,NPO
C43	030-2221-0	C221C50V	CAP CER AXIAL,221,10%,50V,NPO
C44	030-2221-0	C221C50V	CAP CER AXIAL,221,10%,50V,NPO
C45	030-2221-0	C221C50V	CAP CER AXIAL,221,10%,50V,NPO
C46	030-2221-0	C221C50V	CAP CER AXIAL,221,10%,50V,NPO
C47	030-2221-0	C221C50V	CAP CER AXIAL,221,10%,50V,NPO
C48	030-2221-0	C221C50V	CAP CER AXIAL,221,10%,50V,NPO
C49	030-2221-0	C221C50V	CAP CER AXIAL,221,10%,50V,NPO
C50	030-2221-0	C221C50V	CAP CER AXIAL,221,10%,50V,NPO
C51	030-2221-0	C221C50V	CAP CER AXIAL,221,10%,50V,NPO
C76	030-2221-0	C221C50V	CAP CER AXIAL,221,10%,50V,NPO

Main parts.txt

C77	030-2221-0	C221C50V	CAP CER AXIAL, 221, 10%, 50V, NPO
C78	030-2221-0	C221C50V	CAP CER AXIAL, 221, 10%, 50V, NPO
C112	030-2221-0	C221C50V	CAP CER AXIAL, 221, 10%, 50V, NPO
C113	030-2221-0	C221C50V	CAP CER AXIAL, 221, 10%, 50V, NPO
C114	030-2221-0	C221C50V	CAP CER AXIAL, 221, 10%, 50V, NPO
C41	031-0226-0	C226L16	CAP, ELEC, RAD, 226, -10%+50%, 16V
C42	031-0226-0	C226L16	CAP, ELEC, RAD, 226, -10%+50%, 16V
C1	035-2331-0	C331P50V	CAP, POLYPROPYLENE, FILM/FOIL, 331, 5%, 50V
C3	035-2331-0	C331P50V	CAP, POLYPROPYLENE, FILM/FOIL, 331, 5%, 50V
C39	035-8330-0	C33M500V	CAP, MICA, 33PF, 5%, 500V
C73	035-8330-0	C33M500V	CAP, MICA, 33PF, 5%, 500V
C10	031-1476-0	C476L25	CAP, ELEC, NP, RAD, 476, 20%, 25V
C22	031-1476-0	C476L25	CAP, ELEC, NP, RAD, 476, 20%, 25V
C53	031-1476-0	C476L25	CAP, ELEC, NP, RAD, 476, 20%, 25V
C57	031-1476-0	C476L25	CAP, ELEC, NP, RAD, 476, 20%, 25V
C83	031-1476-0	C476L25	CAP, ELEC, NP, RAD, 476, 20%, 25V
C84	031-1476-0	C476L25	CAP, ELEC, NP, RAD, 476, 20%, 25V
C15	031-1477-0	C477L25	CAP, ELEC, RAD, 477, 25V
C27	031-1477-0	C477L25	CAP, ELEC, RAD, 477, 25V
C28	031-1477-0	C477L25	CAP, ELEC, RAD, 477, 25V
C29	031-1477-0	C477L25	CAP, ELEC, RAD, 477, 25V
C30	031-1477-0	C477L25	CAP, ELEC, RAD, 477, 25V
C31	031-1477-0	C477L25	CAP, ELEC, RAD, 477, 25V
C54	031-1477-0	C477L25	CAP, ELEC, RAD, 477, 25V
C65	031-1477-0	C477L25	CAP, ELEC, RAD, 477, 25V
C66	031-1477-0	C477L25	CAP, ELEC, RAD, 477, 25V
C67	031-1477-0	C477L25	CAP, ELEC, RAD, 477, 25V
C70	031-1477-0	C477L25	CAP, ELEC, RAD, 477, 25V
C74	031-1477-0	C477L25	CAP, ELEC, RAD, 477, 25V
C80	031-1477-0	C477L25	CAP, ELEC, RAD, 477, 25V
C81	031-1477-0	C477L25	CAP, ELEC, RAD, 477, 25V
C99	031-1477-0	C477L25	CAP, ELEC, RAD, 477, 25V
C103	031-1477-0	C477L25	CAP, ELEC, RAD, 477, 25V
C105	031-1477-0	C477L25	CAP, ELEC, RAD, 477, 25V
C108	031-1477-0	C477L25	CAP, ELEC, RAD, 477, 25V
C109	031-1477-0	C477L25	CAP, ELEC, RAD, 477, 25V
C110	031-1477-0	C477L25	CAP, ELEC, RAD, 477, 25V
C88	031-2477-0	C477L35	CAP, ELEC, RAD, 477, 25V
C91	031-2477-0	C477L35	CAP, ELEC, RAD, 477, 25V
C92	031-2477-0	C477L35	CAP, ELEC, RAD, 477, 25V
C95	031-2477-0	C477L35	CAP, ELEC, RAD, 477, 25V
C98	031-2477-0	C477L35	CAP, ELEC, RAD, 477, 25V
C106	031-2477-0	C477L35	CAP, ELEC, RAD, 477, 25V
C118	031-2477-0	C477L35	CAP, ELEC, RAD, 477, 25V

Main parts.txt

C121	031-2477-0	C477L35	CAP, ELEC, RAD, 477, 25V
C21	035-2562-0	C562P400V	CAP, POLYPROPYLENE, FILM/FOIL, 562, 5%, 400V
C59	035-2562-0	C562P400V	CAP, POLYPROPYLENE, FILM/FOIL, 562, 5%, 400V
C26	035-2681-0	C681P50V	CAP, POLYPROPYLENE, FILM/FOIL, 681, 5%, 50V
C63	035-2681-0	C681P50V	CAP, POLYPROPYLENE, FILM/FOIL, 681, 5%, 50V
Z2	020-0011-0	DIODE-HZ11-B2L	ZENER DIODE, HZ11LB2
Z3	020-0011-0	DIODE-HZ11-B2L	ZENER DIODE, HZ11LB2
Z1	020-0020-0	DIODE-HZ20-2L	ZENER DIODE, HZ20L2
Z5	020-0020-0	DIODE-HZ20-2L	ZENER DIODE, HZ20L2
Z6	020-0020-0	DIODE-HZ20-2L	ZENER DIODE, HZ20L2
Z7	020-0020-0	DIODE-HZ20-2L	ZENER DIODE, HZ20L2
Z4	020-0027-0	DIODE-HZ27-2L	ZENER DIODE, HZ27L2
Z8	020-0027-0	DIODE-HZ27-2L	ZENER DIODE, HZ27L2
J15	093-0062-0	HDR-1X3VM	HDR, .1X3, VERT, MALE, LOCK
J3	093-0051-0	HDR-2MMX2V	HDR, 2MMX2, VERT, MALE, LOCK
J6	093-0051-0	HDR-2MMX2V	HDR, 2MMX2, VERT, MALE, LOCK
J7	093-0051-0	HDR-2MMX2V	HDR, 2MMX2, VERT, MALE, LOCK
J12	093-0051-0	HDR-2MMX2V	HDR, 2MMX2, VERT, MALE, LOCK
J14	093-0051-0	HDR-2MMX2V	HDR, 2MMX2, VERT, MALE, LOCK
J11	093-2000-0	HDR.1X2X10	HDR, .1X2X10, VERT, MALE, SHROUDED
J2	093-0051-0	HDR2MMX2VM	HDR, 2MMX2, VERT, MALE, LOCK
J16	093-0051-0	HDR2MMX2VM	HDR, 2MMX2, VERT, MALE, LOCK
J19	093-0051-0	HDR2MMX2VM	HDR, 2MMX2, VERT, MALE, LOCK
J9	093-0043-0	HDR2MMX3V	HDR, 2MMX3, VERT, MALE, LOCK, GOLD
J18	093-0151-0	HDR2MMX5VM	HDR, 2MMX5, VERT, MALE, LOCKING
H1	130-0493-0	HEATSINK220	HEATSINK TO-220
H2	130-0493-0	HEATSINK220	HEATSINK TO-220
Q64	010-2010-0	J113	J113, N-JFET, 35V, 2MA, TO-92
Q65	010-2010-0	J113	J113, N-JFET, 35V, 2MA, TO-92
L1	081-0062-0	L2743FB	INDUCTOR, 2743002111 FERRITE BEAD, AXIEL
L2	081-0062-0	L2743FB	INDUCTOR, 2743002111 FERRITE BEAD, AXIEL
L3	081-0062-0	L2743FB	INDUCTOR, 2743002111 FERRITE BEAD, AXIEL
L4	081-0062-0	L2743FB	INDUCTOR, 2743002111 FERRITE BEAD, AXIEL
X1	000-0000-0	MH.125/220	.125 HOLE, .220 PAD
X2	000-0000-0	MH.125/220	.125 HOLE, .220 PAD
X3	000-0000-0	MH.125/220	.125 HOLE, .220 PAD

Main parts.txt

X4	000-0000-0	MH.125/220	.125 HOLE, .220 PAD
X5	000-0000-0	MH.125/220	.125 HOLE, .220 PAD
X6	000-0000-0	MH.125/220	.125 HOLE, .220 PAD
R1	060-1002-0	R1.00K1/8W	RES,METAL FILM, 1.00K, 1/8W, 1%
R2	060-1002-0	R1.00K1/8W	RES,METAL FILM, 1.00K, 1/8W, 1%
R38	060-1002-0	R1.00K1/8W	RES,METAL FILM, 1.00K, 1/8W, 1%
R50	060-1002-0	R1.00K1/8W	RES,METAL FILM, 1.00K, 1/8W, 1%
R60	060-1002-0	R1.00K1/8W	RES,METAL FILM, 1.00K, 1/8W, 1%
R63	060-1002-0	R1.00K1/8W	RES,METAL FILM, 1.00K, 1/8W, 1%
R107	060-1002-0	R1.00K1/8W	RES,METAL FILM, 1.00K, 1/8W, 1%
R116	060-1002-0	R1.00K1/8W	RES,METAL FILM, 1.00K, 1/8W, 1%
R139	060-1002-0	R1.00K1/8W	RES,METAL FILM, 1.00K, 1/8W, 1%
R145	060-1002-0	R1.00K1/8W	RES,METAL FILM, 1.00K, 1/8W, 1%
R180	060-1002-0	R1.00K1/8W	RES,METAL FILM, 1.00K, 1/8W, 1%
R181	060-1002-0	R1.00K1/8W	RES,METAL FILM, 1.00K, 1/8W, 1%
R185	060-1002-0	R1.00K1/8W	RES,METAL FILM, 1.00K, 1/8W, 1%
R186	060-1002-0	R1.00K1/8W	RES,METAL FILM, 1.00K, 1/8W, 1%
R187	060-1002-0	R1.00K1/8W	RES,METAL FILM, 1.00K, 1/8W, 1%
R202	060-1002-0	R1.00K1/8W	RES,METAL FILM, 1.00K, 1/8W, 1%
R35	060-1212-0	R1.21K1/8W	RES,METAL FILM 1/8W,1%,1.21K OHM
R36	060-1212-0	R1.21K1/8W	RES,METAL FILM 1/8W,1%,1.21K OHM
R100	060-1212-0	R1.21K1/8W	RES,METAL FILM 1/8W,1%,1.21K OHM
R101	060-1212-0	R1.21K1/8W	RES,METAL FILM 1/8W,1%,1.21K OHM
R178	060-1212-0	R1.21K1/8W	RES,METAL FILM 1/8W,1%,1.21K OHM
R200	060-1212-0	R1.21K1/8W	RES,METAL FILM 1/8W,1%,1.21K

Main parts.txt

			OHM
R12	052-1502-0	R1.50K1/4W	RES, METAL FILM, 1.50K OHM, 1/4W, 1%
R13	052-1502-0	R1.50K1/4W	RES, METAL FILM, 1.50K OHM, 1/4W, 1%
R16	052-1502-0	R1.50K1/4W	RES, METAL FILM, 1.50K OHM, 1/4W, 1%
R165	060-1003-0	R10.0K1/8W	RES, METAL FILM 1/8W, 1%, 10.0K
R169	060-1003-0	R10.0K1/8W	RES, METAL FILM 1/8W, 1%, 10.0K
R32	060-1004-0	R100.K1/8W	RES, METAL FILM, 100K, 1/8W, 1%, 100K
R118	060-1004-0	R100.K1/8W	RES, METAL FILM, 100K, 1/8W, 1%, 100K
R45	052-1001-0	R100._1/4W	RES, METAL FILM, 100 OHM, 1/4W, 1%
R48	052-1001-0	R100._1/4W	RES, METAL FILM, 100 OHM, 1/4W, 1%
R109	052-1001-0	R100._1/4W	RES, METAL FILM, 100 OHM, 1/4W, 1%
R110	052-1001-0	R100._1/4W	RES, METAL FILM, 100 OHM, 1/4W, 1%
R142	052-1001-0	R100._1/4W	RES, METAL FILM, 100 OHM, 1/4W, 1%
R179	052-1001-0	R100._1/4W	RES, METAL FILM, 100 OHM, 1/4W, 1%
R193	052-1001-0	R100._1/4W	RES, METAL FILM, 100 OHM, 1/4W, 1%
R195	052-1001-0	R100._1/4W	RES, METAL FILM, 100 OHM, 1/4W, 1%
R3	060-1001-0	R100._1/8W	RES, METAL FILM, 100 OHMS, 1/8W, 1%
R85	060-1001-0	R100._1/8W	RES, METAL FILM, 100 OHMS, 1/8W, 1%
R86	060-1001-0	R100._1/8W	RES, METAL FILM, 100 OHMS, 1/8W, 1%
R87	060-1001-0	R100._1/8W	RES, METAL FILM, 100 OHMS, 1/8W, 1%
R88	060-1001-0	R100._1/8W	RES, METAL FILM, 100 OHMS, 1/8W, 1%
R89	060-1001-0	R100._1/8W	RES, METAL FILM, 100 OHMS, 1/8W, 1%
R90	060-1001-0	R100._1/8W	RES, METAL FILM, 100 OHMS, 1/8W, 1%
R91	060-1001-0	R100._1/8W	RES, METAL FILM, 100 OHMS, 1/8W, 1%
R102	060-1001-0	R100._1/8W	RES, METAL FILM, 100 OHMS,

Main parts.txt

			1/8W, 1%
R143	060-1001-0	R100._1/8W	RES, METAL FILM, 100 OHMS, 1/8W, 1%
R144	060-1001-0	R100._1/8W	RES, METAL FILM, 100 OHMS, 1/8W, 1%
R196	060-1001-0	R100._1/8W	RES, METAL FILM, 100 OHMS, 1/8W, 1%
R184	060-1203-0	R12.0K1/8W	RES, METAL FILM 1/8W, 1%, 12.0K
R203	060-1203-0	R12.0K1/8W	RES, METAL FILM 1/8W, 1%, 12.0K
R30	060-1214-0	R121.K1/8W	RES, METAL FILM, 121K OHM, 1/8W, 1%
R81	060-1214-0	R121.K1/8W	RES, METAL FILM, 121K OHM, 1/8W, 1%
R83	060-1214-0	R121.K1/8W	RES, METAL FILM, 121K OHM, 1/8W, 1%
R94	060-1214-0	R121.K1/8W	RES, METAL FILM, 121K OHM, 1/8W, 1%
R146	060-1214-0	R121.K1/8W	RES, METAL FILM, 121K OHM, 1/8W, 1%
R147	060-1214-0	R121.K1/8W	RES, METAL FILM, 121K OHM, 1/8W, 1%
R149	060-1214-0	R121.K1/8W	RES, METAL FILM, 121K OHM, 1/8W, 1%
R152	060-1214-0	R121.K1/8W	RES, METAL FILM, 121K OHM, 1/8W, 1%
R190	060-1214-0	R121.K1/8W	RES, METAL FILM, 121K OHM, 1/8W, 1%
R191	060-1214-0	R121.K1/8W	RES, METAL FILM, 121K OHM, 1/8W, 1%
R46	060-1501-0	R150._1/8W	RES, METAL FILM 1/8W, 1%, 150 OHM
R117	060-1501-0	R150._1/8W	RES, METAL FILM 1/8W, 1%, 150 OHM
R51	050-1501-0	R150_1/8W	RES, CARBON FILM, 150 OHM, 1/8W, 5%
R52	050-1501-0	R150_1/8W	RES, CARBON FILM, 150 OHM, 1/8W, 5%
R108	060-1803-0	R18.0K1/8W	RES, METAL FILM, 18.0K, 1% , 1/8W
R197	060-1803-0	R18.0K1/8W	RES, METAL FILM, 18.0K, 1% , 1/8W
R66	060-2202-0	R2.20K1/8W	RES, METAL FILM 1/8W, 1%, 2.20K
R70	060-2202-0	R2.20K1/8W	RES, METAL FILM 1/8W, 1%, 2.20K
R166	060-2202-0	R2.20K1/8W	RES, METAL FILM 1/8W, 1%, 2.20K
R170	060-2202-0	R2.20K1/8W	RES, METAL FILM 1/8W, 1%, 2.20K
R6	060-0220-0	R2.20_1/8W	RES, METAL FILM, 2.2 OHM,

Main parts.txt

R10	060-0220-0	R2.20_1/8W	1/8W, 1% RES, METAL FILM, 2.2 OHM, 1/8W, 1%
R29	060-0220-0	R2.20_1/8W	RES, METAL FILM, 2.2 OHM, 1/8W, 1%
R95	060-0220-0	R2.20_1/8W	RES, METAL FILM, 2.2 OHM, 1/8W, 1%
R49	052-2212-0	R2.21K1/4W	RES, METAL FILM, 1/4W, 1%, 2.21K
R111	052-2212-0	R2.21K1/4W	RES, METAL FILM, 1/4W, 1%, 2.21K
R7	060-2203-0	R22.0K1/8W	RES, METAL FILM, 22K OHM, 1/8W, 1%
R8	060-2203-0	R22.0K1/8W	RES, METAL FILM, 22K OHM, 1/8W, 1%
R53	052-2200-0	R22.0_1/4W	RES, METAL FILM, 22.0 OHM, 1/4W, 1%
R54	052-2200-0	R22.0_1/4W	RES, METAL FILM, 22.0 OHM, 1/4W, 1%
R119	052-2200-0	R22.0_1/4W	RES, METAL FILM, 22.0 OHM, 1/4W, 1%
R120	052-2200-0	R22.0_1/4W	RES, METAL FILM, 22.0 OHM, 1/4W, 1%
R121	052-2200-0	R22.0_1/4W	RES, METAL FILM, 22.0 OHM, 1/4W, 1%
R122	052-2200-0	R22.0_1/4W	RES, METAL FILM, 22.0 OHM, 1/4W, 1%
R124	052-2200-0	R22.0_1/4W	RES, METAL FILM, 22.0 OHM, 1/4W, 1%
R125	052-2200-0	R22.0_1/4W	RES, METAL FILM, 22.0 OHM, 1/4W, 1%
R174	052-2200-0	R22.0_1/4W	RES, METAL FILM, 22.0 OHM, 1/4W, 1%
R175	052-2200-0	R22.0_1/4W	RES, METAL FILM, 22.0 OHM, 1/4W, 1%
R176	052-2200-0	R22.0_1/4W	RES, METAL FILM, 22.0 OHM, 1/4W, 1%
R198	052-2200-0	R22.0_1/4W	RES, METAL FILM, 22.0 OHM, 1/4W, 1%
R15	051-2201-0	R220_1/4W	RES, CARBON FILM, 1/4W
R25	060-2211-0	R221._1/8W	RES, METAL FILM, 221 OHM, 1/8W, 1%
R33	060-2211-0	R221._1/8W	RES, METAL FILM, 221 OHM, 1/8W, 1%
R34	060-2211-0	R221._1/8W	RES, METAL FILM, 221 OHM, 1/8W, 1%
R40	060-2211-0	R221._1/8W	RES, METAL FILM, 221 OHM, 1/8W, 1%

Main parts.txt

R41	060-2211-0	R221._1/8W	RES, METAL FILM, 221 OHM, 1/8W, 1%
R64	060-2211-0	R221._1/8W	RES, METAL FILM, 221 OHM, 1/8W, 1%
R73	060-2211-0	R221._1/8W	RES, METAL FILM, 221 OHM, 1/8W, 1%
R74	060-2211-0	R221._1/8W	RES, METAL FILM, 221 OHM, 1/8W, 1%
R77	060-2211-0	R221._1/8W	RES, METAL FILM, 221 OHM, 1/8W, 1%
R78	060-2211-0	R221._1/8W	RES, METAL FILM, 221 OHM, 1/8W, 1%
R92	060-2211-0	R221._1/8W	RES, METAL FILM, 221 OHM, 1/8W, 1%
R98	060-2211-0	R221._1/8W	RES, METAL FILM, 221 OHM, 1/8W, 1%
R99	060-2211-0	R221._1/8W	RES, METAL FILM, 221 OHM, 1/8W, 1%
R104	060-2211-0	R221._1/8W	RES, METAL FILM, 221 OHM, 1/8W, 1%
R105	060-2211-0	R221._1/8W	RES, METAL FILM, 221 OHM, 1/8W, 1%
R138	060-2211-0	R221._1/8W	RES, METAL FILM, 221 OHM, 1/8W, 1%
R156	060-2211-0	R221._1/8W	RES, METAL FILM, 221 OHM, 1/8W, 1%
R158	060-2211-0	R221._1/8W	RES, METAL FILM, 221 OHM, 1/8W, 1%
R161	060-2211-0	R221._1/8W	RES, METAL FILM, 221 OHM, 1/8W, 1%
R163	060-2211-0	R221._1/8W	RES, METAL FILM, 221 OHM, 1/8W, 1%
R82	060-2214-1	R221K_1/8W	RES, METAL FILM, 221K OHM, 1/8W, 1%
R84	060-2214-1	R221K_1/8W	RES, METAL FILM, 221K OHM, 1/8W, 1%
R9	060-2741-0	R274._1/8W	RES, METAL FILM, 274 OHM, 1/8W, 1%
R11	060-2741-0	R274._1/8W	RES, METAL FILM, 274 OHM, 1/8W, 1%
R14	060-2741-0	R274._1/8W	RES, METAL FILM, 274 OHM, 1/8W, 1%
R23	060-2741-0	R274._1/8W	RES, METAL FILM, 274 OHM, 1/8W, 1%
R188	060-2741-0	R274._1/8W	RES, METAL FILM, 274 OHM, 1/8W, 1%

Main parts.txt

R189	060-2741-0	R274._1/8W	RES, METAL FILM, 274 OHM, 1/8W, 1%
R47	052-3322-0	R3.32K1/4W	RES, METAL FILM, 3.32K OHM, 1/4W, 1%
R62	052-3322-0	R3.32K1/4W	RES, METAL FILM, 3.32K OHM, 1/4W, 1%
R68	052-3322-0	R3.32K1/4W	RES, METAL FILM, 3.32K OHM, 1/4W, 1%
R115	052-3322-0	R3.32K1/4W	RES, METAL FILM, 3.32K OHM, 1/4W, 1%
R134	052-3322-0	R3.32K1/4W	RES, METAL FILM, 3.32K OHM, 1/4W, 1%
R136	052-3322-0	R3.32K1/4W	RES, METAL FILM, 3.32K OHM, 1/4W, 1%
R69	052-3922-0	R3.92K1/4W	RES, METAL FILM, 3.92K OHM, 1/4W, 1%
R137	052-3922-0	R3.92K1/4W	RES, METAL FILM, 3.92K OHM, 1/4W, 1%
R18	052-0331-0	R33.0_1/4W	RES, METAL FILM, 33.0 OHM, 1%, 1/4W
R21	052-0331-0	R33.0_1/4W	RES, METAL FILM, 33.0 OHM, 1%, 1/4W
R19	060-3320-0	R33.2_1/8W	RES, METAL FILM 1/8W, 1%
R20	060-3320-0	R33.2_1/8W	RES, METAL FILM 1/8W, 1%
R22	060-3320-0	R33.2_1/8W	RES, METAL FILM 1/8W, 1%
R26	060-3320-0	R33.2_1/8W	RES, METAL FILM 1/8W, 1%
R72	060-3321-0	R332._1/8W	RES, METAL FILM, 332 OHM, 1/8W, 1%
R140	060-3321-0	R332._1/8W	RES, METAL FILM, 332 OHM, 1/8W, 1%
R148	060-3321-0	R332._1/8W	RES, METAL FILM, 332 OHM, 1/8W, 1%
R151	060-3321-0	R332._1/8W	RES, METAL FILM, 332 OHM, 1/8W, 1%
R164	060-3321-0	R332._1/8W	RES, METAL FILM, 332 OHM, 1/8W, 1%
R173	060-3321-0	R332._1/8W	RES, METAL FILM, 332 OHM, 1/8W, 1%
R42	060-3903-0	R39.0K1/8W	RES, METAL FILM, 39.0K, 1% , 1/8W
R113	060-3903-0	R39.0K1/8W	RES, METAL FILM, 39.0K, 1% , 1/8W
R61	052-3921-0	R392_1/4W	RES, METAL FILM, 1/4W, 1%, 392 OHM
R65	052-3921-0	R392_1/4W	RES, METAL FILM, 1/4W, 1%, 392 OHM

Main parts.txt

R133	052-3921-0	R392_1/4W	RES,METAL FILM,1/4W,1%,392 OHM
R135	052-3921-0	R392_1/4W	RES,METAL FILM,1/4W,1%,392 OHM
R167	052-3921-0	R392_1/4W	RES,METAL FILM,1/4W,1%,392 OHM
R168	052-3921-0	R392_1/4W	RES,METAL FILM,1/4W,1%,392 OHM
R171	052-3921-0	R392_1/4W	RES,METAL FILM,1/4W,1%,392 OHM
R172	052-3921-0	R392_1/4W	RES,METAL FILM,1/4W,1%,392 OHM
R75	060-4702-0	R4.70K1/8W	RES,METAL FILM 1/8W,1%,4.70K OHM
R76	060-4702-0	R4.70K1/8W	RES,METAL FILM 1/8W,1%,4.70K OHM
R79	060-4702-0	R4.70K1/8W	RES,METAL FILM 1/8W,1%,4.70K OHM
R80	060-4702-0	R4.70K1/8W	RES,METAL FILM 1/8W,1%,4.70K OHM
R154	060-4702-0	R4.70K1/8W	RES,METAL FILM 1/8W,1%,4.70K OHM
R155	060-4702-0	R4.70K1/8W	RES,METAL FILM 1/8W,1%,4.70K OHM
R159	060-4702-0	R4.70K1/8W	RES,METAL FILM 1/8W,1%,4.70K OHM
R160	060-4702-0	R4.70K1/8W	RES,METAL FILM 1/8W,1%,4.70K OHM
R177	052-0470-0	R4.70_1/4W	RES,METAL FILM,4.70 OHM, 1/4W,1%
R183	052-0470-0	R4.70_1/4W	RES,METAL FILM,4.70 OHM, 1/4W,1%
R199	052-0470-0	R4.70_1/4W	RES,METAL FILM,4.70 OHM, 1/4W,1%
R201	052-0470-0	R4.70_1/4W	RES,METAL FILM,4.70 OHM, 1/4W,1%
R44	060-4123-0	R41.2K1/8W	RES,METAL FILM, 41.2K, 1% , 1/8W
R112	060-4123-0	R41.2K1/8W	RES,METAL FILM, 41.2K, 1% , 1/8W
R150	060-4703-0	R47.0K1/8W	RES,METAL FILM 1/8W,1%,47.0K
R153	060-4703-0	R47.0K1/8W	RES,METAL FILM 1/8W,1%,47.0K
R27	060-4750-0	R47.5_1/8W	RES, METAL FILM, 47.5 OHM, 1/8W, 1%
R97	060-4750-0	R47.5_1/8W	RES, METAL FILM, 47.5 OHM, 1/8W, 1%

Main parts.txt

R192	060-4750-0	R47.5_1/8W	RES, METAL FILM, 47.5 OHM, 1/8W, 1%
R194	060-4750-0	R47.5_1/8W	RES, METAL FILM, 47.5 OHM, 1/8W, 1%
R157	060-5602-0	R5.60K1/8W	RES, METAL FILM, 5.60K OHM, 1/8W, 1%
R162	060-5602-0	R5.60K1/8W	RES, METAL FILM, 5.60K OHM, 1/8W, 1%
R4	060-5620-0	R56.2_1/8W	RES, METAL FILM, 56.2 OHM, 1/8W, 1%
R5	060-5620-0	R56.2_1/8W	RES, METAL FILM, 56.2 OHM, 1/8W, 1%
R43	060-5604-0	R560.K1/8W	RES, METAL FILM, 560.K, 1% , 1/8W
R114	060-5604-0	R560.K1/8W	RES, METAL FILM, 560.K, 1% , 1/8W
R17	052-5601-0	R560._1/4W	RES, METAL FILM, 560 OHM, 1/4W, 1%
R24	052-5601-0	R560._1/4W	RES, METAL FILM, 560 OHM, 1/4W, 1%
R67	060-6802-0	R6.80K1/8W	RES, METAL FILM 1/8W, 1%, 6.80K
R71	060-6802-0	R6.80K1/8W	RES, METAL FILM 1/8W, 1%, 6.80K
R31	052-6812-0	R6.81K1/4W	RES, METAL FILM, 6.81K OHM, 1/4W, 1%
R37	052-6812-0	R6.81K1/4W	RES, METAL FILM, 6.81K OHM, 1/4W, 1%
R96	052-6812-0	R6.81K1/4W	RES, METAL FILM, 6.81K OHM, 1/4W, 1%
R103	052-6812-0	R6.81K1/4W	RES, METAL FILM, 6.81K OHM, 1/4W, 1%
R141	060-8252-0	R8.25K1/8W	RES, METAL FILM, 8.25K OHM, 1/8W, 1%
R182	060-8252-0	R8.25K1/8W	RES, METAL FILM, 8.25K OHM, 1/8W, 1%
R28	060-8253-0	R82.5K1/8W	RES, METAL FILM 1/8W, 1%, 82.5K OHM
R93	060-8253-0	R82.5K1/8W	RES, METAL FILM 1/8W, 1%, 82.5K OHM
R39	060-8201-0	R820._1/8W	RES, METAL FILM, 820 OHM, 1% , 1/8W
R106	060-8201-0	R820._1/8W	RES, METAL FILM, 820 OHM, 1% , 1/8W
J8	092-0008-1	RCA/DUAL	JACK, RCA, DUAL, RD/WT
J1	092-0007-1	RCA/QUADC	JACK, RCAX4, HORIZ, GOLD, RD/WT, CGND
J4	092-0007-1	RCA/QUADC	JACK, RCAX4, HORIZ, GOLD, RD/WT,

Main parts.txt

J5	092-0007-1	RCA/QUADC	CGND JACK, RCAX4, HORIZ, GOLD, RD/WT, CGND
K1	084-0005-0	RLY-HE700	RELAY, DPST, 12V, HAMLIN HE722A1200
K2	084-0005-0	RLY-HE700	RELAY, DPST, 12V, HAMLIN HE722A1200
K3	084-0005-0	RLY-HE700	RELAY, DPST, 12V, HAMLIN HE722A1200
K4	084-0005-0	RLY-HE700	RELAY, DPST, 12V, HAMLIN HE722A1200
K5	084-0005-0	RLY-HE700	RELAY, DPST, 12V, HAMLIN HE722A1200
K6	084-0005-0	RLY-HE700	RELAY, DPST, 12V, HAMLIN HE722A1200
K7	084-0005-0	RLY-HE700	RELAY, DPST, 12V, HAMLIN HE722A1200
K8	084-0005-0	RLY-HE700	RELAY, DPST, 12V, HAMLIN HE722A1200
K9	084-0005-0	RLY-HE700	RELAY, DPST, 12V, HAMLIN HE722A1200
K10	084-0005-0	RLY-HE700	RELAY, DPST, 12V, HAMLIN HE722A1200
K11	084-0005-0	RLY-HE700	RELAY, DPST, 12V, HAMLIN HE722A1200
K12	084-0005-0	RLY-HE700	RELAY, DPST, 12V, HAMLIN HE722A1200
K13	084-0005-0	RLY-HE700	RELAY, DPST, 12V, HAMLIN HE722A1200
K14	084-0005-0	RLY-HE700	RELAY, DPST, 12V, HAMLIN HE722A1200
K15	084-0005-0	RLY-HE700	RELAY, DPST, 12V, HAMLIN HE722A1200
K16	084-0005-0	RLY-HE700	RELAY, DPST, 12V, HAMLIN HE722A1200
U1	001-1141-0	SSM2141	SSM2141, DIFFERENTIAL LINE RECEIVER
U3	001-1141-0	SSM2141	SSM2141, DIFFERENTIAL LINE RECEIVER
S1	090-0006-0	SWT-DPDT-SLIDE 1	SWITCH, 2P2T, SLIDE, 30V, .3A, PCHOR, GOLD
U2	001-1030-1	TL072	TLO72CP, LOW NOISE JFET OPAMP
J10	092-0033-0	XLR-F	CON, XLR, F, PC MNT, NC3FAH
J13	092-0033-0	XLR-F	CON, XLR, F, PC MNT, NC3FAH

Bill Of Materials for HA6027Coutput.sch on Fri Jun 11 07:48:11 1999

PART NUMBER	Reference	Part Name	Description
020-1000-0	D1	1N4148	RECT-FAST, 200MA, 100V, 4NS, DO-35
020-1000-0	D2	1N4148	RECT-FAST, 200MA, 100V, 4NS, DO-35
010-1002-0	Q4	2SA1376	2SA1376, PNP, 180V, 100MA, TO-92
010-1002-0	Q12	2SA1376	2SA1376, PNP, 180V, 100MA, TO-92
012-1002-0	Q2	2SA1837	2SA1837, PNP, 200V, 1.5A, 2-10R1A
012-1002-0	Q9	2SA1837	2SA1837, PNP, 200V, 1.5A, 2-10R1A
010-0001-0	Q3	2SC3478	2SC3478, NPN, 180V, 100MA, TO-92
010-0001-0	Q8	2SC3478	2SC3478, NPN, 180V, 100MA, TO-92
012-0002-0	Q5	2SC4793	2SC4793, NPN, 200V, 1.5A, 2-10R1A
012-0002-0	Q13	2SC4793	2SC4793, NPN, 200V, 1.5A, 2-10R1A
030-2104-1	C75	C104C50V1	CAP CER AXIAL, 104, 20%, 50V, Z5U
035-2104-0	C82	C104P50V	CAP, POLYPROPYLENE, FILM/FOIL, 104, 5%, 50V
035-2104-0	C84	C104P50V	CAP, POLYPROPYLENE, FILM/FOIL, 104, 5%, 50V
030-2105-0	C1	C105C50V	CAP CER AXIAL, 105, 20%, 50V, Z5U
030-2105-0	C11	C105C50V	CAP CER AXIAL, 105, 20%, 50V, Z5U
030-2105-0	C12	C105C50V	CAP CER AXIAL, 105, 20%, 50V, Z5U
030-2105-0	C13	C105C50V	CAP CER AXIAL, 105, 20%, 50V, Z5U
030-2105-0	C19	C105C50V	CAP CER AXIAL, 105, 20%, 50V, Z5U
030-2105-0	C20	C105C50V	CAP CER AXIAL, 105, 20%, 50V, Z5U
030-2105-0	C21	C105C50V	CAP CER AXIAL, 105, 20%, 50V, Z5U
030-2105-0	C22	C105C50V	CAP CER AXIAL, 105, 20%, 50V, Z5U
030-2105-0	C31	C105C50V	CAP CER AXIAL, 105, 20%, 50V, Z5U
030-2105-0	C39	C105C50V	CAP CER AXIAL, 105, 20%, 50V, Z5U
030-2105-0	C42	C105C50V	CAP CER AXIAL, 105, 20%, 50V, Z5U
030-2105-0	C55	C105C50V	CAP CER AXIAL, 105, 20%, 50V, Z5U
030-2105-0	C56	C105C50V	CAP CER AXIAL, 105, 20%, 50V, Z5U
030-2105-0	C63	C105C50V	CAP CER AXIAL, 105, 20%, 50V, Z5U
030-2105-0	C65	C105C50V	CAP CER AXIAL, 105, 20%, 50V, Z5U
030-2105-0	C70	C105C50V	CAP CER AXIAL, 105, 20%, 50V, Z5U
030-2105-0	C72	C105C50V	CAP CER AXIAL, 105, 20%, 50V, Z5U
031-0107-0	C2	C107L16	CAP, ELEC, RAD, 107, -10%, +50%, 16V
031-0107-0	C3	C107L16	CAP, ELEC, RAD, 107, -10%, +50%, 16V
031-0107-0	C4	C107L16	CAP, ELEC, RAD, 107, -10%, +50%, 16V
031-0107-0	C5	C107L16	CAP, ELEC, RAD, 107, -10%, +50%, 16V

Output materials.txt

031-0107-0	C14	C107L16	CAP, ELEC, RAD, 107, -10%, +50%, 16V
031-0107-0	C15	C107L16	CAP, ELEC, RAD, 107, -10%, +50%, 16V
031-0107-0	C23	C107L16	CAP, ELEC, RAD, 107, -10%, +50%, 16V
031-0107-0	C24	C107L16	CAP, ELEC, RAD, 107, -10%, +50%, 16V
031-0107-0	C25	C107L16	CAP, ELEC, RAD, 107, -10%, +50%, 16V
031-0107-0	C32	C107L16	CAP, ELEC, RAD, 107, -10%, +50%, 16V
031-0107-0	C33	C107L16	CAP, ELEC, RAD, 107, -10%, +50%, 16V
031-0107-0	C34	C107L16	CAP, ELEC, RAD, 107, -10%, +50%, 16V
031-0107-0	C43	C107L16	CAP, ELEC, RAD, 107, -10%, +50%, 16V
031-0107-0	C44	C107L16	CAP, ELEC, RAD, 107, -10%, +50%, 16V
031-0107-0	C57	C107L16	CAP, ELEC, RAD, 107, -10%, +50%, 16V
031-0107-0	C66	C107L16	CAP, ELEC, RAD, 107, -10%, +50%, 16V
031-0107-0	C77	C107L16	CAP, ELEC, RAD, 107, -10%, +50%, 16V
031-0107-0	C78	C107L16	CAP, ELEC, RAD, 107, -10%, +50%, 16V
031-0107-0	C79	C107L16	CAP, ELEC, RAD, 107, -10%, +50%, 16V
031-0107-0	C80	C107L16	CAP, ELEC, RAD, 107, -10%, +50%, 16V
031-0107-0	C81	C107L16	CAP, ELEC, RAD, 107, -10%, +50%, 16V
031-0107-0	C83	C107L16	CAP, ELEC, RAD, 107, -10%, +50%, 16V
030-2221-0	C6	C221C50V	CAP CER AXIAL, 221, 10%, 50V, NPO
030-2221-0	C7	C221C50V	CAP CER AXIAL, 221, 10%, 50V, NPO
030-2221-0	C8	C221C50V	CAP CER AXIAL, 221, 10%, 50V, NPO
030-2221-0	C9	C221C50V	CAP CER AXIAL, 221, 10%, 50V, NPO
030-2221-0	C10	C221C50V	CAP CER AXIAL, 221, 10%, 50V, NPO
030-2221-0	C16	C221C50V	CAP CER AXIAL, 221, 10%, 50V, NPO
030-2221-0	C17	C221C50V	CAP CER AXIAL, 221, 10%, 50V, NPO
030-2221-0	C18	C221C50V	CAP CER AXIAL, 221, 10%, 50V, NPO
030-2221-0	C26	C221C50V	CAP CER AXIAL, 221, 10%, 50V, NPO
030-2221-0	C27	C221C50V	CAP CER AXIAL, 221, 10%, 50V, NPO

Output materials.txt

030-2221-0	C28	C221C50V	CAP CER AXIAL, 221, 10%, 50V, NPO
030-2221-0	C29	C221C50V	CAP CER AXIAL, 221, 10%, 50V, NPO
030-2221-0	C30	C221C50V	CAP CER AXIAL, 221, 10%, 50V, NPO
030-2221-0	C35	C221C50V	CAP CER AXIAL, 221, 10%, 50V, NPO
030-2221-0	C36	C221C50V	CAP CER AXIAL, 221, 10%, 50V, NPO
030-2221-0	C37	C221C50V	CAP CER AXIAL, 221, 10%, 50V, NPO
030-2221-0	C38	C221C50V	CAP CER AXIAL, 221, 10%, 50V, NPO
030-2221-0	C45	C221C50V	CAP CER AXIAL, 221, 10%, 50V, NPO
030-2221-0	C46	C221C50V	CAP CER AXIAL, 221, 10%, 50V, NPO
030-2221-0	C47	C221C50V	CAP CER AXIAL, 221, 10%, 50V, NPO
030-2221-0	C48	C221C50V	CAP CER AXIAL, 221, 10%, 50V, NPO
030-2221-0	C49	C221C50V	CAP CER AXIAL, 221, 10%, 50V, NPO
030-2221-0	C52	C221C50V	CAP CER AXIAL, 221, 10%, 50V, NPO
030-2221-0	C53	C221C50V	CAP CER AXIAL, 221, 10%, 50V, NPO
030-2221-0	C54	C221C50V	CAP CER AXIAL, 221, 10%, 50V, NPO
030-2221-0	C58	C221C50V	CAP CER AXIAL, 221, 10%, 50V, NPO
030-2221-0	C59	C221C50V	CAP CER AXIAL, 221, 10%, 50V, NPO
030-2221-0	C60	C221C50V	CAP CER AXIAL, 221, 10%, 50V, NPO
030-2221-0	C61	C221C50V	CAP CER AXIAL, 221, 10%, 50V, NPO
030-2221-0	C67	C221C50V	CAP CER AXIAL, 221, 10%, 50V, NPO
030-2221-0	C68	C221C50V	CAP CER AXIAL, 221, 10%, 50V, NPO
030-2221-0	C73	C221C50V	CAP CER AXIAL, 221, 10%, 50V, NPO
030-2221-0	C74	C221C50V	CAP CER AXIAL, 221, 10%, 50V, NPO
030-2221-0	C76	C221C50V	CAP CER AXIAL, 221, 10%, 50V, NPO
031-0477-0	C40	C477L10	CAP, ELEC, RAD, 477, 20%, 10V
031-0477-0	C41	C477L10	CAP, ELEC, RAD, 477, 20%, 10V
031-0477-0	C50	C477L10	CAP, ELEC, RAD, 477, 20%, 10V
031-0477-0	C51	C477L10	CAP, ELEC, RAD, 477, 20%, 10V
031-1477-0	C62	C477L25	CAP, ELEC, RAD, 477, 25V
031-1477-0	C64	C477L25	CAP, ELEC, RAD, 477, 25V
031-1477-0	C69	C477L25	CAP, ELEC, RAD, 477, 25V
031-1477-0	C71	C477L25	CAP, ELEC, RAD, 477, 25V
092-0021-0	J15	CON/3.5MMSB	JACK, PHONE, 3.5 MM, MONO SB
092-0021-0	J17	CON/3.5MMSB	JACK, PHONE, 3.5 MM, MONO SB
092-0021-0	J18	CON/3.5MMSB	JACK, PHONE, 3.5 MM, MONO SB
003-0004-0	U3	CS3310	CS3310, STEREO DIGITAL VOLUME CONTROL
003-0004-0	U5	CS3310	CS3310, STEREO DIGITAL VOLUME CONTROL
003-0004-0	U6	CS3310	CS3310, STEREO DIGITAL VOLUME CONTROL
020-0016-0	Z3	DIODE-HZ16-2L	ZENER DIODE, HZ16L2
020-0016-0	Z4	DIODE-HZ16-2L	ZENER DIODE, HZ16L2
020-0006-0	Z5	DIODE-HZ6-B2L	ZENER DIODE, HZ6L2
020-0008-0	Z1	DIODE-HZ7-A1L	ZENER DIODE, HZ7A1L
020-0008-0	Z2	DIODE HZ7 A1L	ZENER DIODE, HZ7A1L

Output materials.txt

093-0062-0	J9	HDR-1X3VM	HDR, .1X3, VERT, MALE, LOCK
093-0062-0	J10	HDR-1X3VM	HDR, .1X3, VERT, MALE, LOCK
093-0051-0	J11	HDR2MMX2VM	HDR, 2MMX2, VERT, MALE, LOCK
093-0051-0	J19	HDR2MMX2VM	HDR, 2MMX2, VERT, MALE, LOCK
093-0051-0	J20	HDR2MMX2VM	HDR, 2MMX2, VERT, MALE, LOCK
093-0051-0	J22	HDR2MMX2VM	HDR, 2MMX2, VERT, MALE, LOCK
093-0043-0	J2	HDR2MMX3V	HDR, 2MMX3, VERT, MALE, LOCK, GOLD
093-0151-0	J3	HDR2MMX5VM	HDR, 2MMX5, VERT, MALE, LOCKING
093-0151-0	J21	HDR2MMX5VM	HDR, 2MMX5, VERT, MALE, LOCKING
093-0024-0	J16	HDR2MMX6VM	HDR, 2MMX6, VERT, MALE
081-0010-0	L1	L33UH	INDUCTOR, AX, HIQ, 33UH
081-0010-0	L2	L33UH	INDUCTOR, AX, HIQ, 33UH
000-0000-0	X1	MH.125/220	.125 HOLE, .220 PAD
000-0000-0	X2	MH.125/220	.125 HOLE, .220 PAD
000-0000-0	X3	MH.125/220	.125 HOLE, .220 PAD
010-0012-0	Q16	MPSA06	MPSA06, NPN, 80V, 500MA, TO-92
010 1013 0	Q15	MPSA5G	MPSA5G PNP 80V 500MA TO-92
	R35	R.430_1W-1	RES, WIRE WOUND, 430 OHM, 1W, 5%
	R40	R.430_1W-1	RES, WIRE WOUND, 430 OHM, 1W, 5%
052-0000-0	R47	R0_1/4W	RES, METAL WIRE, 1/4W, 1%
060-1002-0	R9	R1.00K1/8W	RES, METAL FILM, 1.00K, 1/8W, 1%
060-1002-0	R10	R1.00K1/8W	RES, METAL FILM, 1.00K, 1/8W, 1%
060-1002-0	R11	R1.00K1/8W	RES, METAL FILM, 1.00K, 1/8W, 1%
060-1002-0	R16	R1.00K1/8W	RES, METAL FILM, 1.00K, 1/8W, 1%
060-1002-0	R17	R1.00K1/8W	RES, METAL FILM, 1.00K, 1/8W, 1%
060-1002-0	R18	R1.00K1/8W	RES, METAL FILM, 1.00K, 1/8W, 1%
060-1002-0	R19	R1.00K1/8W	RES, METAL FILM, 1.00K, 1/8W, 1%
060-1002-0	R23	R1.00K1/8W	RES, METAL FILM, 1.00K, 1/8W, 1%
060-1002-0	R36	R1.00K1/8W	RES, METAL FILM, 1.00K, 1/8W, 1%
060-1002-0	R39	R1.00K1/8W	RES, METAL FILM, 1.00K, 1/8W, 1%
060-1002-0	R49	R1.00K1/8W	RES, METAL FILM, 1.00K, 1/8W, 1%
060-1002-0	R54	R1.00K1/8W	RES, METAL FILM, 1.00K, 1/8W,

Output materials.txt

			1%
060-1002-0	R58	R1.00K1/8W	RES,METAL FILM, 1.00K, 1/8W, 1%
053-1002-0	R56	R1.0K1/2W	RES ,CARBON FILM,1/2W,5%
060-1003-0	R57	R10.0K1/8W	RES,METAL FILM 1/8W,1%
060-1003-0	R60	R10.0K1/8W	RES,METAL FILM 1/8W,1%
060-1003-0	R63	R10.0K1/8W	RES,METAL FILM 1/8W,1%
060-1003-0	R65	R10.0K1/8W	RES,METAL FILM 1/8W,1%
060-1003-0	R66	R10.0K1/8W	RES,METAL FILM 1/8W,1%
060-1003-0	R67	R10.0K1/8W	RES,METAL FILM 1/8W,1%
060-1000-0	R26	R10.0_1/8W	RES,METAL FILM 1/8W,1%
060-1000-0	R43	R10.0_1/8W	RES,METAL FILM 1/8W,1%
052-1001-0	R50	R100._1/4W	RES,METAL FILM,100 OHM,1/4W, 1%
052-1001-0	R55	R100._1/4W	RES,METAL FILM,100 OHM,1/4W, 1%
050-1003-0	R61	R10K1/8W	RES,CARBON FILM, 10K OHM, 1/8W, 5%
060-1214-0	R1	R121.K1/8W	RES, METAL FILM, 121K OHM, 1/8W, 1%
060-1214-0	R2	R121.K1/8W	RES, METAL FILM, 121K OHM, 1/8W, 1%
060-1214-0	R3	R121.K1/8W	RES, METAL FILM, 121K OHM, 1/8W, 1%
060-1214-0	R4	R121.K1/8W	RES, METAL FILM, 121K OHM, 1/8W, 1%
060-1214-0	R5	R121.K1/8W	RES, METAL FILM, 121K OHM, 1/8W, 1%
060-1214-0	R6	R121.K1/8W	RES, METAL FILM, 121K OHM, 1/8W, 1%
060-1214-0	R7	R121.K1/8W	RES, METAL FILM, 121K OHM, 1/8W, 1%
060-1214-0	R8	R121.K1/8W	RES, METAL FILM, 121K OHM, 1/8W, 1%
060-1214-0	R12	R121.K1/8W	RES, METAL FILM, 121K OHM, 1/8W, 1%
060-1214-0	R13	R121.K1/8W	RES, METAL FILM, 121K OHM, 1/8W, 1%
060-1214-0	R14	R121.K1/8W	RES, METAL FILM, 121K OHM, 1/8W, 1%
060-1214-0	R15	R121.K1/8W	RES, METAL FILM, 121K OHM, 1/8W, 1%
060-1214-0	R41	R121.K1/8W	RES, METAL FILM, 121K OHM, 1/8W, 1%
060-1214-0	R42	R121.K1/8W	RES, METAL FILM, 121K OHM, 1/8W, 1%

Output materials.txt

060-1214-0	R45	R121.K1/8W	RES, METAL FILM, 121K OHM, 1/8W, 1%
060-1214-0	R46	R121.K1/8W	RES, METAL FILM, 121K OHM, 1/8W, 1%
060-1214-0	R51	R121.K1/8W	RES, METAL FILM, 121K OHM, 1/8W, 1%
060-1214-0	R52	R121.K1/8W	RES, METAL FILM, 121K OHM, 1/8W, 1%
053-1501-0	R59	R150_1/2W	RES ,CARBON FILM,150 OHM, 1/2W,5%
050-1501-0	R68	R150_1/8W	RES,CARBON FILM, 150 OHM, 1/8W, 5%
050-1501-0	R69	R150_1/8W	RES,CARBON FILM, 150 OHM, 1/8W, 5%
050-1501-0	R70	R150_1/8W	RES,CARBON FILM, 150 OHM, 1/8W, 5%
050-1501-0	R71	R150_1/8W	RES,CARBON FILM, 150 OHM, 1/8W, 5%
060-2203-0	R24	R22.0K1/8W	RES,METAL FILM,22K OHM, 1/8W, 1%
060-2203-0	R25	R22.0K1/8W	RES,METAL FILM,22K OHM, 1/8W, 1%
060-2203-0	R30	R22.0K1/8W	RES,METAL FILM,22K OHM, 1/8W, 1%
060-2203-0	R31	R22.0K1/8W	RES,METAL FILM,22K OHM, 1/8W, 1%
060-2203-0	R32	R22.0K1/8W	RES,METAL FILM,22K OHM, 1/8W, 1%
060-2203-0	R33	R22.0K1/8W	RES,METAL FILM,22K OHM, 1/8W, 1%
060-2203-0	R34	R22.0K1/8W	RES,METAL FILM,22K OHM, 1/8W, 1%
060-2203-0	R44	R22.0K1/8W	RES,METAL FILM,22K OHM, 1/8W, 1%
060-2203-0	R48	R22.0K1/8W	RES,METAL FILM,22K OHM, 1/8W, 1%
060-2203-0	R53	R22.0K1/8W	RES,METAL FILM,22K OHM, 1/8W, 1%
060-2203-0	R62	R22.0K1/8W	RES,METAL FILM,22K OHM, 1/8W, 1%
060-2203-0	R64	R22.0K1/8W	RES,METAL FILM,22K OHM, 1/8W, 1%
060-2741-0	R20	R274._1/8W	RES, METAL FILM, 274 OHM, 1/8W, 1%
060-2741-0	R21	R274._1/8W	RES, METAL FILM, 274 OHM, 1/8W, 1%

Output materials.txt

060-2741-0	R22	R274._1/8W	RES, METAL FILM, 274 OHM, 1/8W, 1%
060-2741-0	R27	R274._1/8W	RES, METAL FILM, 274 OHM, 1/8W, 1%
060-2741-0	R28	R274._1/8W	RES, METAL FILM, 274 OHM, 1/8W, 1%
060-2741-0	R29	R274._1/8W	RES, METAL FILM, 274 OHM, 1/8W, 1%
060-4703-0	R37	R47.0K1/8W	RES, METAL FILM 1/8W, 1%
060-4703-0	R38	R47.0K1/8W	RES, METAL FILM 1/8W, 1%
092-0008-1	J13	RCA/DUAL	JACK, RCA, DUAL, RD/WT
092-0007-1	J1	RCA/QUADC	JACK, RCAX4, HORIZ, GOLD, RD/WT, CGND
092-0007-1	J4	RCA/QUADC	JACK, RCAX4, HORIZ, GOLD, RD/WT, CGND
092-0007-1	J5	RCA/QUADC	JACK, RCAX4, HORIZ, GOLD, RD/WT, CGND
092-0007-1	J7	RCA/QUADC	JACK, RCAX4, HORIZ, GOLD, RD/WT, CGND
092-0007-1	J8	RCA/QUADC	JACK, RCAX4, HORIZ, GOLD, RD/WT, CGND
084-0005-0	K1	RLY-HE700	RELAY, DPST, 12V, HAMLIN HE722A1200
084-0005-0	K2	RLY-HE700	RELAY, DPST, 12V, HAMLIN HE722A1200
084-0005-0	K3	RLY-HE700	RELAY, DPST, 12V, HAMLIN HE722A1200
001-1142-0	U7	SSM2142	SSM2142, BALANCED LINE DRIVER
001-1142-0	U8	SSM2142	SSM2142, BALANCED LINE DRIVER
091-1004-0	T1	THER-POLYSW	POLY SWITCH, .2A
	X4	THERMALVIA	
001-1030-1	U1	TL072	TLO72CP, LOW NOISE JFET OPAMP
001-1030-1	U2	TL072	TLO72CP, LOW NOISE JFET OPAMP
001-1030-1	U4	TL072	TLO72CP, LOW NOISE JFET OPAMP
092-0034-0	J12	XLR-M	CON, XLR, M, PC MNT, NC3MAH
092-0034-0	J14	XLR-M	CON, XLR, M, PC MNT, NC3MAH

Bill Of Materials for HA6021Cswitch.sch on Fri Jun 11 07:49:01 1999

PART NUMBER	Reference	Part Name	Description
014-0004-0	U2	78M05A	78M05FA, +5V REG, TO-220
	U1	78M12A	78M12FA, +12V REG, TO-220
023-0002-0	D1	BR1.5A/HOR	BRIDGE, 1.5A , HOR, PC
023-0002-0	D2	BR1.5A/HOR	BRIDGE, 1.5A , HOR, PC
034-7103-0	C1	C103C250V	CAP, CERMIC DISK, 103, 10%, X-250V
034-7103-0	C2	C103C250V	CAP, CERMIC DISK, 103, 10%, X-250V
030-4104-0	C14	C104C100V	CAP CER AXIAL, 104, 10%, 100V, X7R
030-4104-0	C15	C104C100V	CAP CER AXIAL, 104, 10%, 100V, X7R
030-2104-1	C5	C104C50V1	CAP CER AXIAL, 104, 20%, 50V, Z5U
030-2104-1	C11	C104C50V1	CAP CER AXIAL, 104, 20%, 50V, Z5U
030-2104-1	C13	C104C50V1	CAP CER AXIAL, 104, 20%, 50V, Z5U
030-2104-1	C16	C104C50V1	CAP CER AXIAL, 104, 20%, 50V, Z5U
030-2104-1	C17	C104C50V1	CAP CER AXIAL, 104, 20%, 50V, Z5U
030-2104-1	C18	C104C50V1	CAP CER AXIAL, 104, 20%, 50V, Z5U
030-2104-1	C19	C104C50V1	CAP CER AXIAL, 104, 20%, 50V, Z5U
030-2104-1	C20	C104C50V1	CAP CER AXIAL, 104, 20%, 50V, Z5U
030-2104-1	C21	C104C50V1	CAP CER AXIAL, 104, 20%, 50V, Z5U
030-2105-0	C3	C105C50V	CAP CER AXIAL, 105, 20%, 50V, Z5U
030-2105-0	C7	C105C50V	CAP CER AXIAL, 105, 20%, 50V, Z5U
030-2105-0	C9	C105C50V	CAP CER AXIAL, 105, 20%, 50V, Z5U
031-2338-0	C4	C338L35	CAP, ELEC, RAD, 338, 20%, 35V
031-2338-0	C10	C338L35	CAP, ELEC, RAD, 338, 20%, 35V
031-2338-0	C12	C338L35	CAP, ELEC, RAD, 338, 20%, 35V
031-0477-0	C8	C477L10	CAP, ELEC, RAD, 477, 20%, 10V
031-1477-0	C6	C477L25	CAP, ELEC, RAD, 477, 25V
094-0004-0	F1	FUSE5MM	FUSE CLIP, 5MM, P.C. MOUNT
X2			
093-0062-0	J9	HDR-1X3VM	HDR, .1X3, VERT, MALE, LOCK
093-0062-0	J11	HDR-1X3VM	HDR, .1X3, VERT, MALE, LOCK
093-0025-0	J10	HDR.1X2	HDR, .1X2, VERT, MALE, LOCK, GOLD
093-2005-0	J8	HDR2MMX7	HDR, 2MMX7, VERT, SHROUDED
000-0000-0	X1	MH.125/220	.125 HOLE, .220 PAD
000-0000-0	X2	MH.125/220	.125 HOLE, .220 PAD
000-0000-0	X3	MH.125/220	.125 HOLE, .220 PAD
000-0000-0	X4	MH.125/220	.125 HOLE, .220 PAD
084-0001-0	K1	RLY-793P-1A-S	RELAY SPNO 12VDC, 20A/125VAC, TV-10, PCB MT
090-0007-0	S1	SW-SPST-PB250V	SWITCH, 8A/128A, 250V, PP,

Switch materials.txt

		5A	PCB
092-0024-0	J7	TAB/187	FASTON, M, PC, .187"
092-0066-0	J2	TAB/250	FASTON, M, PC, .250"
092-0066-0	J3	TAB/250	FASTON, M, PC, .250"
092-0066-0	J4	TAB/250	FASTON, M, PC, .250"
092-0066-0	J5	TAB/250	FASTON, M, PC, .250"
092-0066-0	J6	TAB/250	FASTON, M, PC, .250"
080-0054-A	T1	XFR-ANA-230V	XFORMER, SIG 1.0, ANALOG, 230V:52VCT@0.54A
080-0055-A	T2	XFR-STB-230V	XFORMER, SIG 1.0, STANDBY, 230V:11.4V@0.9A

Bill Of Materials for HA6023Cvolume.sch on Fri Jun 11 07:49:47 1999

PART NUMBER	Reference	Part Name	Description
030-2105-0	C22	C105C50V	CAP CER AXIAL, 105, 20%, 50V, Z5U
031-0107-1	C23	C107L16NP	CAP, ELEC, RAD, 107, 20%, 16V, NP
093-0051-0	J14	HDR-2MMX2V	HDR, 2MMX2, VERT, MALE, LOCK
093-0051-0	J15	HDR-2MMX2V	HDR, 2MMX2, VERT, MALE, LOCK
093-0051-0	J16	HDR-2MMX2V	HDR, 2MMX2, VERT, MALE, LOCK
093-0051-0	J17	HDR-2MMX2V	HDR, 2MMX2, VERT, MALE, LOCK
093-0051-0	J12	HDR2MMX2VM	HDR, 2MMX2, VERT, MALE, LOCK
093-0094-0	J13	HDR2MMX7VM	HDR, 2MMX7, VERT, MALE
070-2003-0	R1	POT-20K-QD-MOT	POT, 20K, QUAD, MOTORIZED