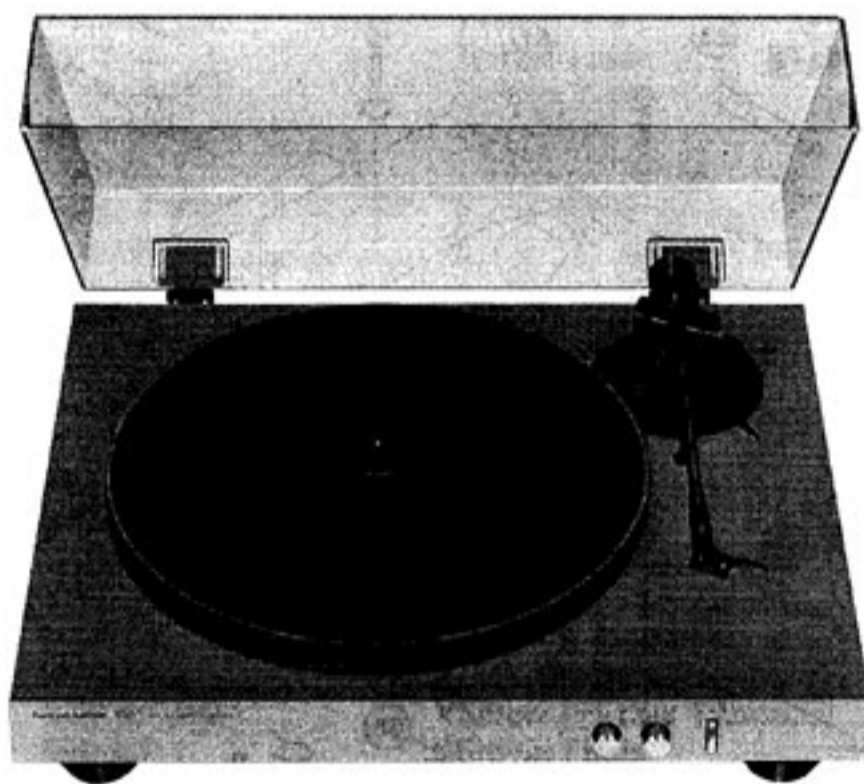


The Harman Kardon Model T30C

Manual 85A

SEMI-AUTOMATIC TURNTABLE

Technical Manual



SUPPLEMENTARY MANUAL

THIS SEMI-AUTOMATIC TURNTABLE IS IDENTICAL TO THE MODEL T25 EXCEPT FOR THE ITEMS DESCRIBED IN THIS SUPPLEMENT. REFER TO TECHNICAL MANUAL 73A FOR ALL OTHER PARTS AND SERVICE INFORMATION.

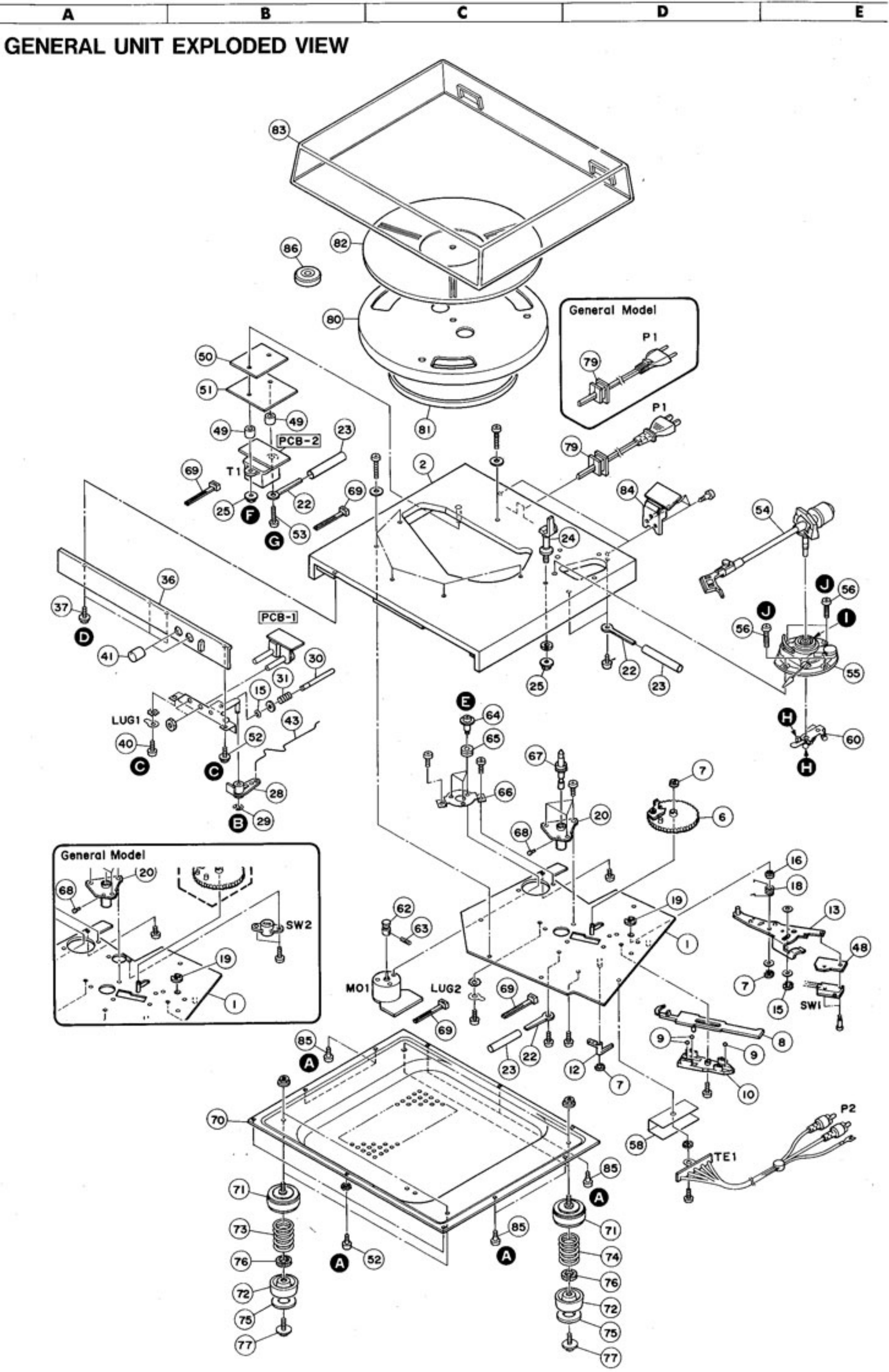
SPECIFICATIONS

Wow & Flutter (WRMS)	0.05%	Acceptable Weight of Cartridge	4.5 ~ 7 g
Rumble (DIN-B WTD)	-65dB, DIN 45544 record reference	Dimensions (W x H x D)	17-3/8" x 5-3/4" x 14-13/16" (440 x 145 x 375 mm)
Pitch Adjustable Range	±3%	Weight	11 lbs. 4 oz. (5.1 kg)
Tonearm		Power Supply	
Effective Tonearm Mass	11g (plus the mass of the cartridge used)	U.S.A. and Canada models	AC120V, 60Hz
Stylus Overhang	18mm	General model	AC110-120V/220-240V, 50/60Hz
Offset Angle	25.5°	Power Consumption	3W
Effective Length	216mm		
Tracking Error	±2 degrees		
Phono Capacitance	160pF		
Tracking Force	0 ~ 3 grams		

Specifications and components subject to change without notice.
Overall performance will be maintained or improved.

harman/kardon

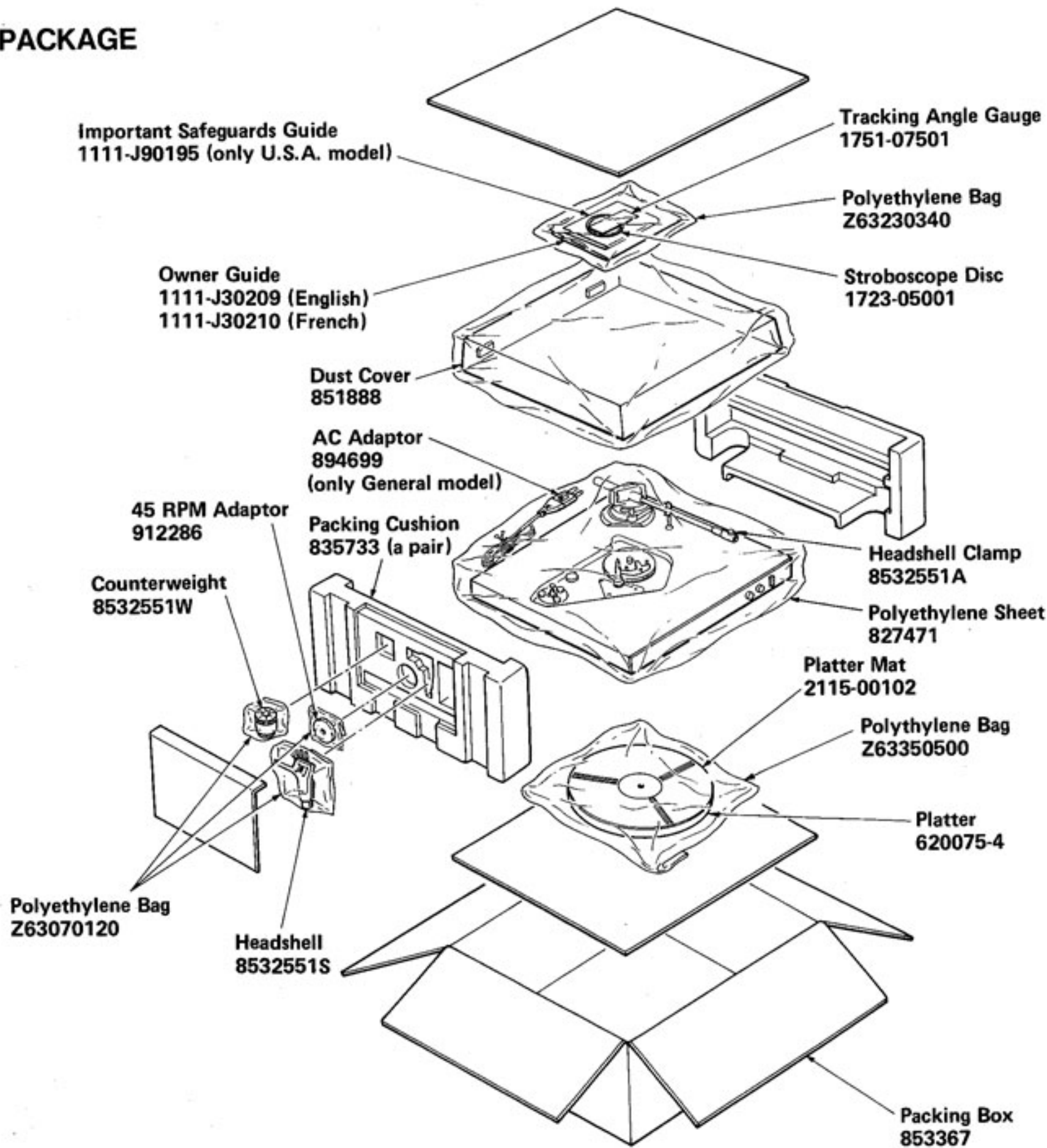
240 Crossways Park West, Woodbury, N.Y. 11797
1112-H15285A9 P-088502 1450 Printed in Japan



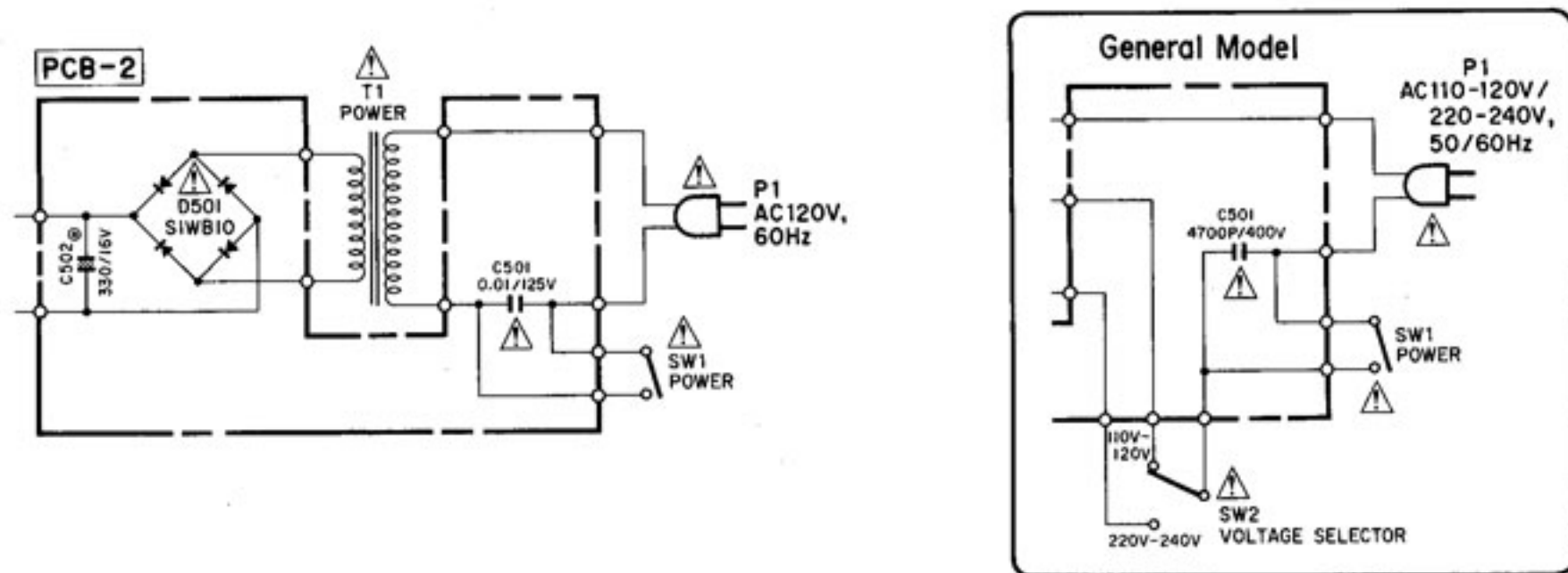
GENERAL UNIT PARTS LIST

Ref. No.	Part No.	Description
1	852264-5	Plate Assembly (for U.S.A. and Canada models)
"	852264-6	Plate Assembly (for General model)
2	A415-T30CA	Cabinet Assembly (for U.S.A. and Canada models)
"	A415-T30CB	Cabinet Assembly (for General model)
6	895249	Return Gear Assembly
7	Y34000301	E-Stop Ring
8	870933-1	Return Arm
9	Y99000103	Steel Ball
10	870932-1	Return Arm Base
12	895431	Cut Lever
13	896487	Operation Plate Assembly
15	Y34000201	E-Stop Ring
16	895073	Eccentric Pin
18	895251	Spring
19	Y34000602	E-Stop Ring
20	895092	Center Spindle Holder Assembly
22	890755	Holding Bracket
23	U01330601	Tube
24	910742-2	Armrest Assembly
25	Y22000302	Flange Nut
28	897574	Reject Lever
29	Y34000321	E-Stop Ring
30	898534	Cut Shaft
31	832780-1	Elevation Spring
36	A443-T30CA	Front Panel Assembly (includes: Cut Button)
37	Y09301201	Screw (+) (3 x 12mm)
40	Y10300601	Screw (+) (3 x 6mm)
41	912276	Rotary Knob
43	896722-2	Reject Spring
48	893803	Shield Plate
49	897342-1	Collar
50	912451	Shield Plate
51	912439	Insulator
52	Y10301203	Screw (+) (3 x 12mm)
53	Y08302501	Screw (+) (3 x 25mm)
54	852675	Pick-Up Assembly
55	852384-2	Pick-Up Base Assembly
56	Y03301202	Screw (+) (3 x 12mm)
58	890959-1	Shield Plate
60	893583-3	Forwarding Arm Assembly
62	894021	Motor Pulley
63	Y13200301	Screw (-) (2 x 3mm)
64	893057-7	Motor Mounting Screw
65	242020	Bushing
66	893931	Motor Bracket
67	895047	Center Spindle Assembly
68	894271	Stopper Pin
69	894408	Holder
70	874143	Cabinet Bottom
71	914901-2	Foot (A)
72	914902	Foot (B)
73	914960	Spring
74	914960-1	Spring
75	914961	Felt
76	914994-1	Shock Absorber
77	912290	Cap Screw
79	871025	Bushing (for U.S.A. and Canada models)
"	871026	Bushing (for General model)
80	620075-4	Platter
81	700515-8	Drive Belt
82	2115-00102	Platter Mat
83	851888	Dust Cover
84	898532-5	Hinge Assembly
85	Y11311302	Screw (+) (3.1 x 13mm)
86	912286	45 RPM Adaptor

PACKAGE



SCHEMATIC DIAGRAM AND ELECTRICAL PARTS LIST



Ref. No.	Part No.	Description
△ C501	899299-2	Capacitor, 0.01μF, 125V, Ceramic (for U.S.A. and Canada models)
"	899299-3	Capacitor, 4700pF, 400V, Ceramic (for General model)