

# The Harman Kardon Model T45C AUTO-LIFT TURNTABLE

Manual No.72B

## Technical Manual



### SUPPLEMENTARY MANUAL

THE MODEL T45C IS IDENTICAL TO THE MODEL T45 EXCEPT FOR AN ADDED CUT SWITCH AND OTHER PART CHANGES AS NOTED IN THIS SUPPLEMENT. REFER TO SERVICE MANUAL NO. 72A FOR ALL OTHER PARTS AND SERVICE INFORMATION.

## GENERAL UNIT PARTS LIST

Ref. No.	Part No.	Description
1	A415-T45CA	Cabinet Assembly (for U.S.A. & Canada models)
	A415-T45CB	Cabinet Assembly (for General model)
2	A443-T45C	Front Panel Assembly
39	897342	Spacer
41	874045	Bracket

## ELECTRICAL PARTS LIST

Ref. No.	Part No.	Description
<b>CHASSIS MISCELLANEOUS</b>		
CO1, 2	913142-1	Connector, Power Cord
SW1	915021-1	Micro-Switch, Rest
J1/2	913924-3	2-Pin Jack, Output
<b>PCB-1 MAIN P.C. BOARD</b>		
C216, 217	5345-476-25	Capacitor, 47 $\mu$ F, $\pm$ 20%, 25V, Electrolytic
X206	Z4104103	Transistor, 2SC945(Q) or 2SC945(P) or 2SC945(K)
SW204/205	915370	Push Switch, Lift, Cut

A

B

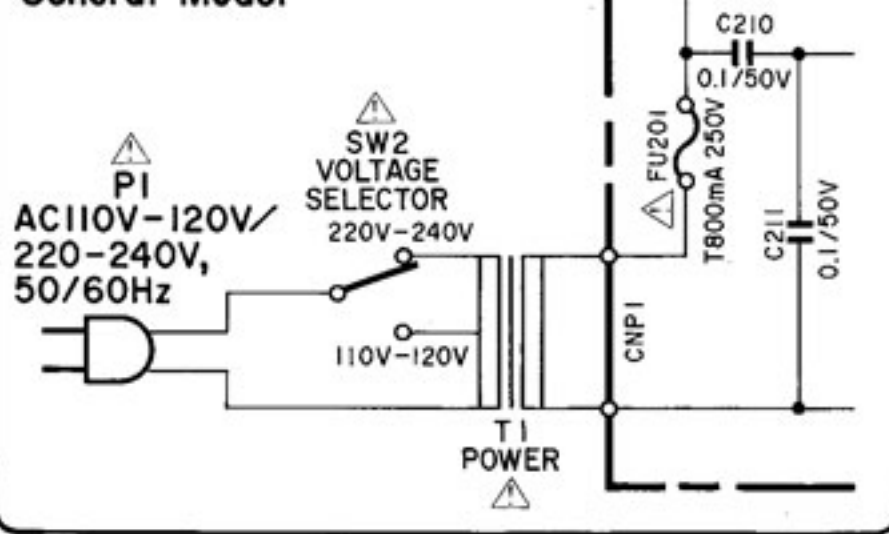
C

D

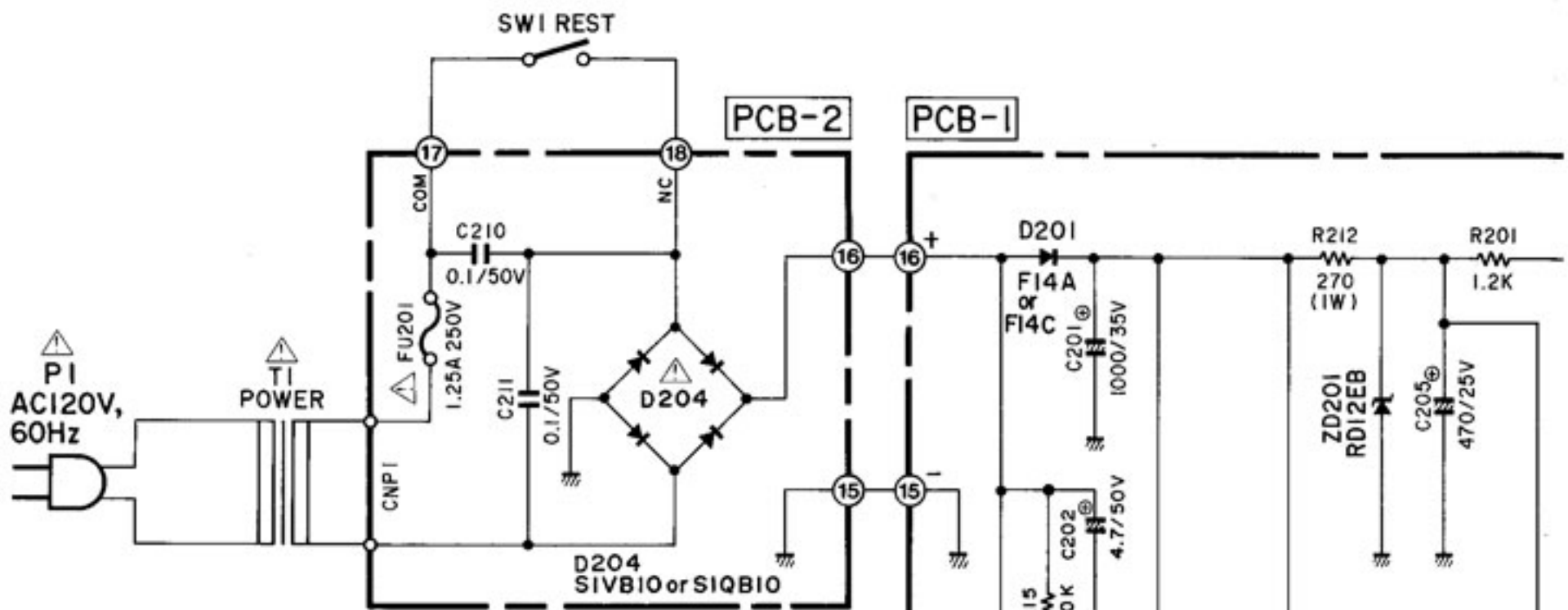
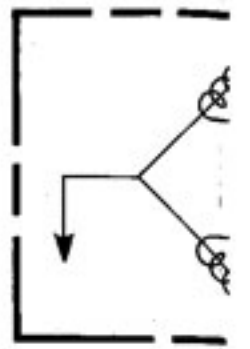
E

# SCHEMATIC DIAGRAM

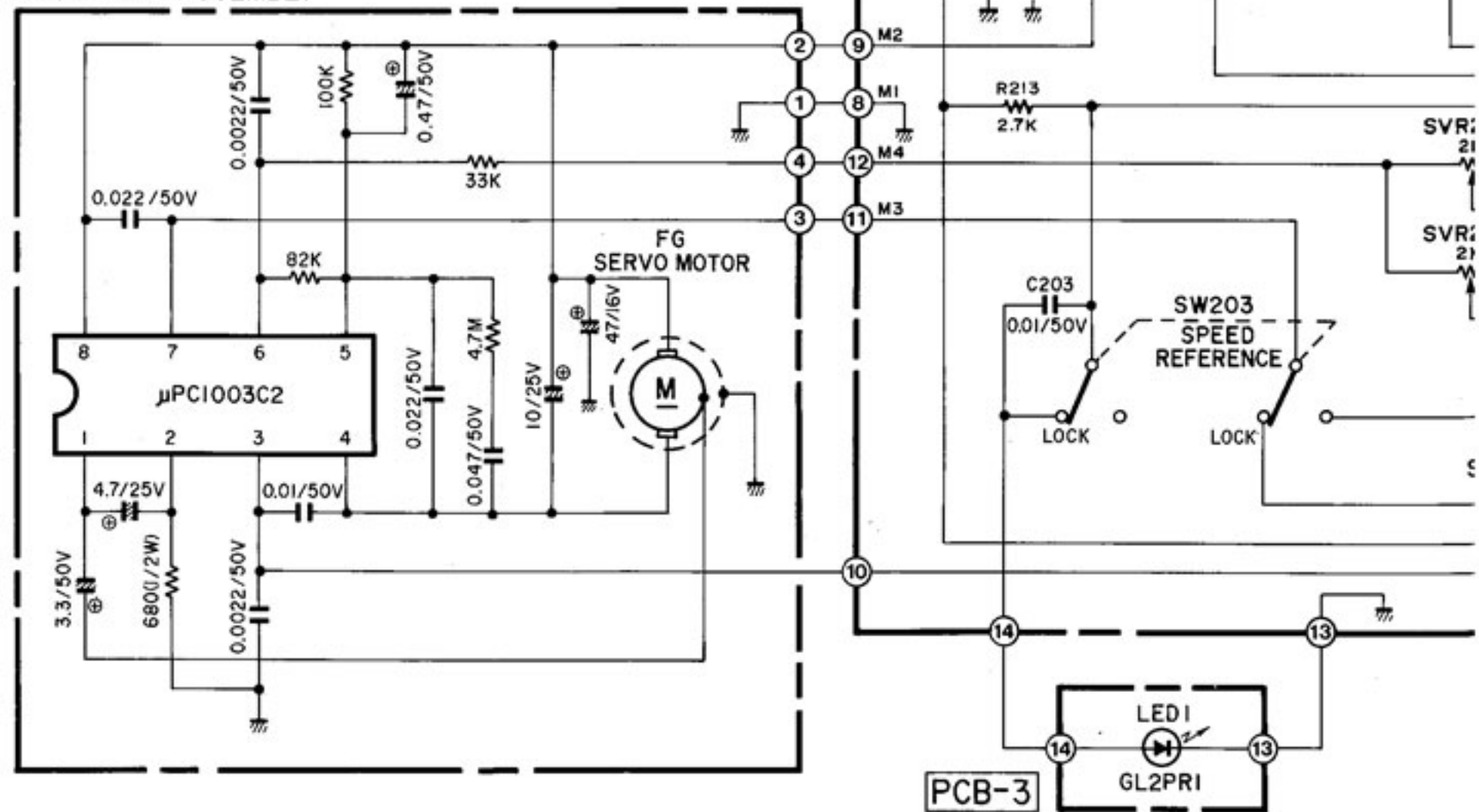
## General Model

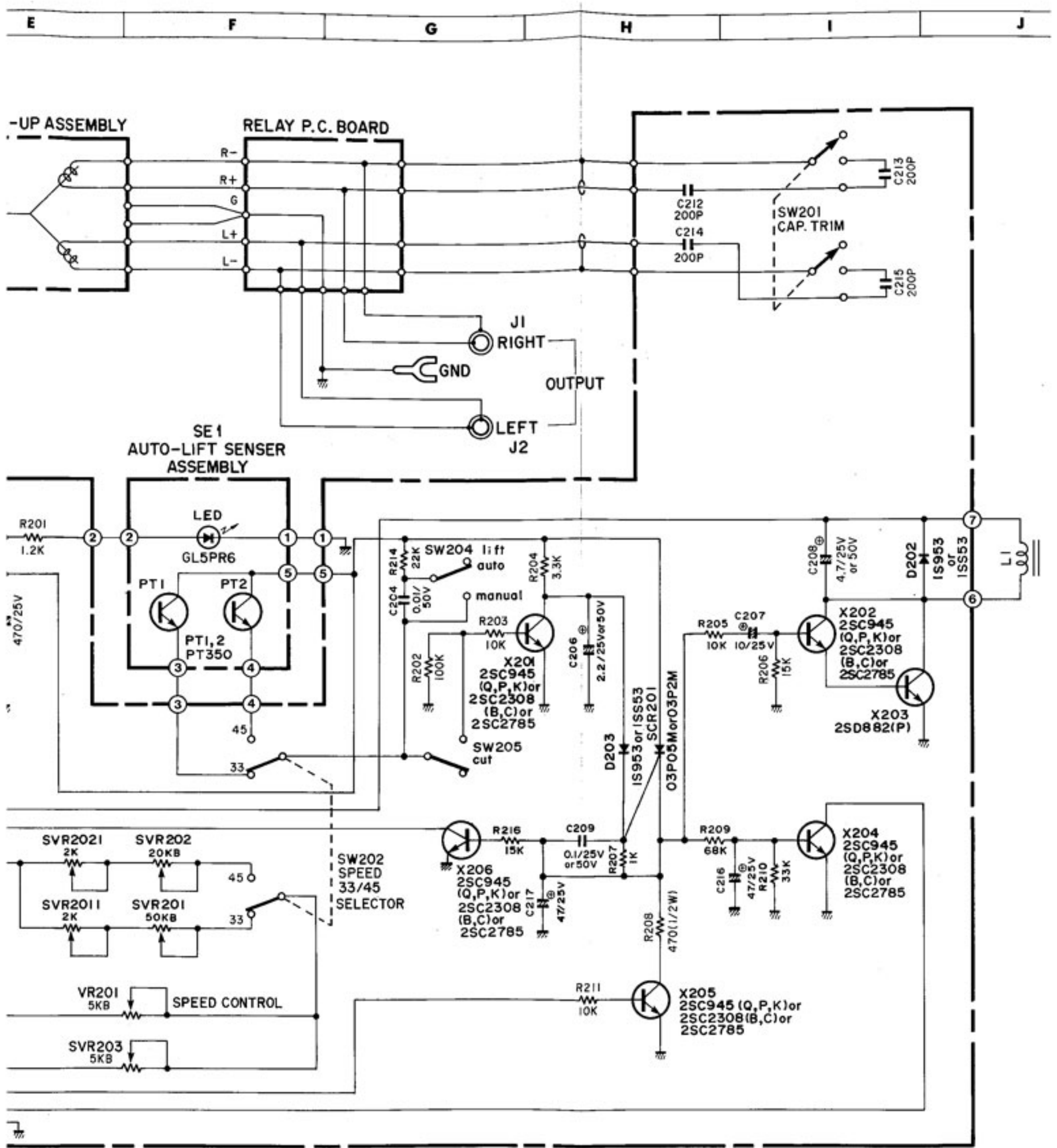



## PICK-UP ASS



## MO1 MOTOR ASSEMBLY



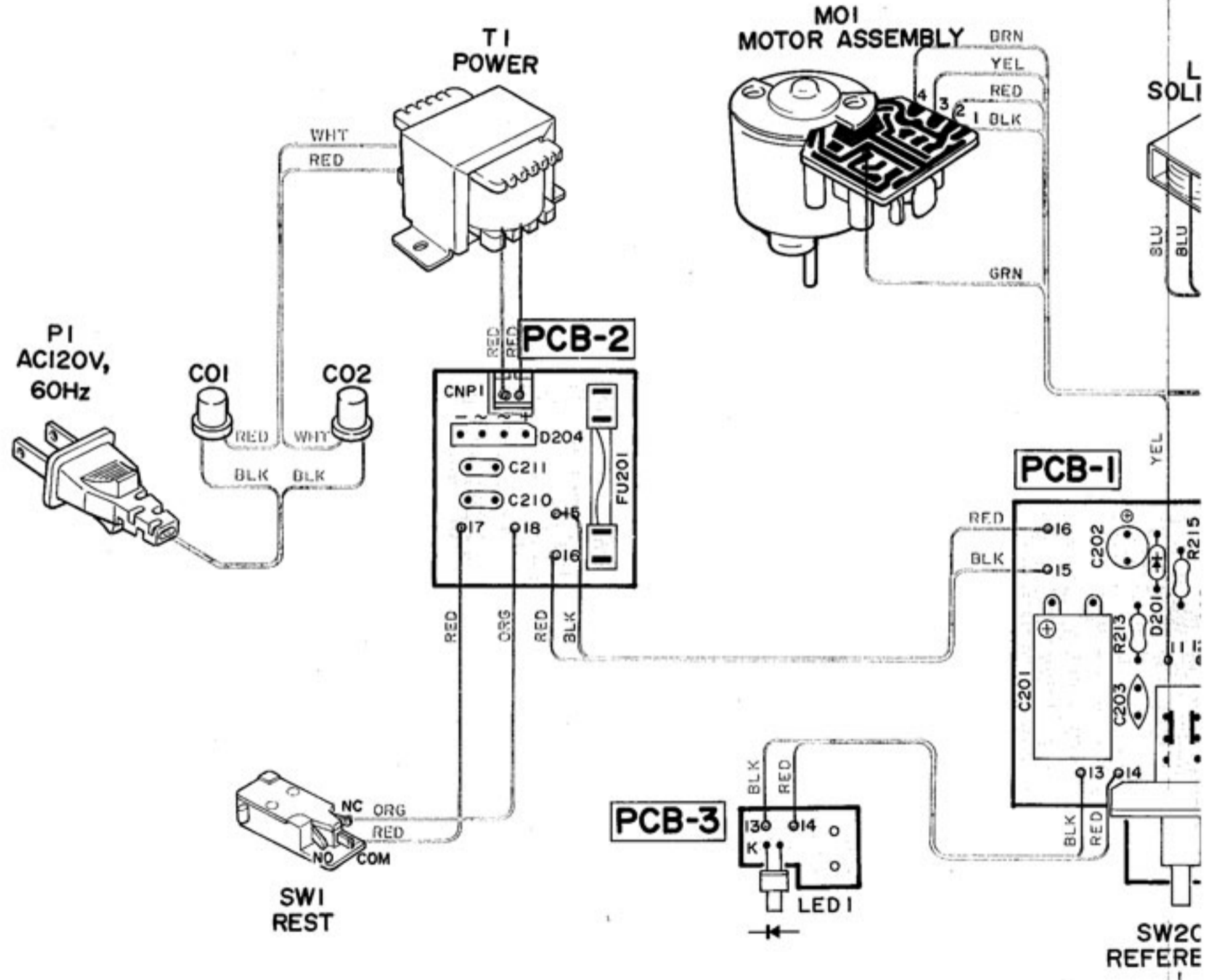
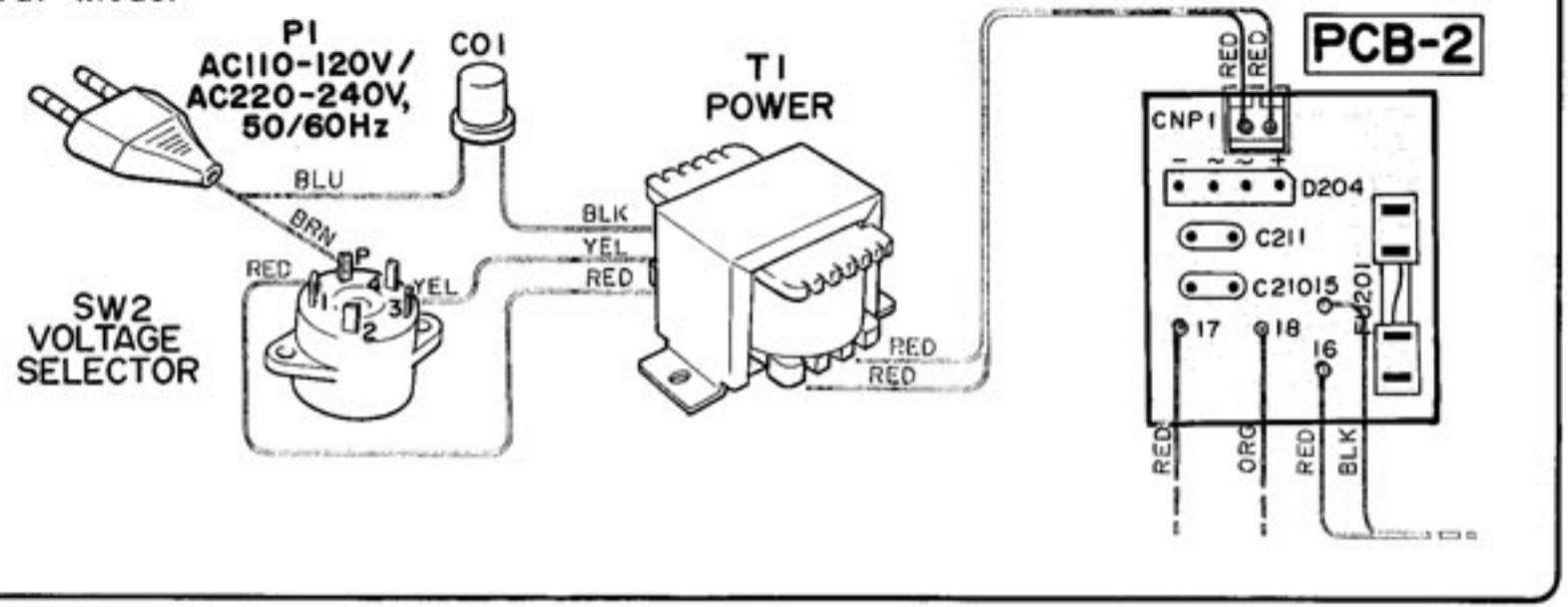


1. ALL RESISTANCES VALUES ARE IN  $\Omega$ ,  
 $k\Omega = 1000\Omega$ ,  $M\Omega = 1000k\Omega$
2. THE WATTAGE OF RESISTORS IS 1/4W, UNLESS OTHERWISE NOTED.
3. ALL CAPACITANCES VALUES ARE IN  $\mu F$  UNLESS OTHERWISE NOTED. P =  $\mu\mu F$
4.  SAFETY-REQUIREMENTS COMPONENTS IN ACCORDANCE WITH PRESENT SAFETY REGULATIONS, THESE COMPONENTS MUST ONLY BE REPLACED BY ORIGINAL PARTS.

A B C D E

**WIRING DIAGRAM**

**General Model**

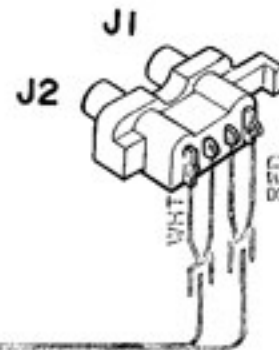
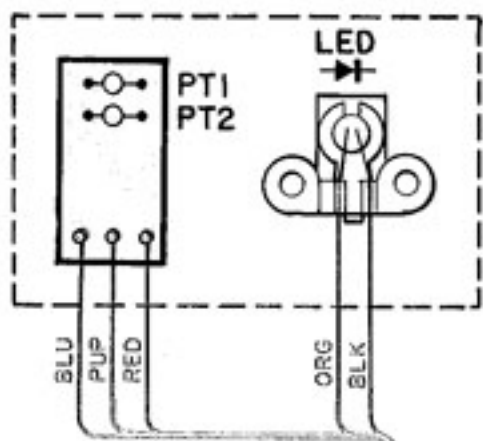


**PIN CONNECTION DIAGRAM OF TRANSISTORS AND DIODES.**

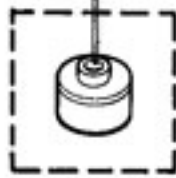
<p>2SC945(Q) or (P) or (K)</p> <p>E C B</p>	<p>2SD882(P)</p> <p>E C B</p>	<p>GL5PR6</p> <p>Cathode Anode</p>	<p>PT350</p> <p>C E</p>	<p>F14A</p> <p>Anode Cathode</p>	<p>1S953, RD12EB3</p> <p>Anode Cathode</p>	<p>S1VB10</p> <p>+ ~ -</p>
---	-------------------------------	------------------------------------	-------------------------	----------------------------------	--	----------------------------

1  
2  
3  
4  
5  
6  
7

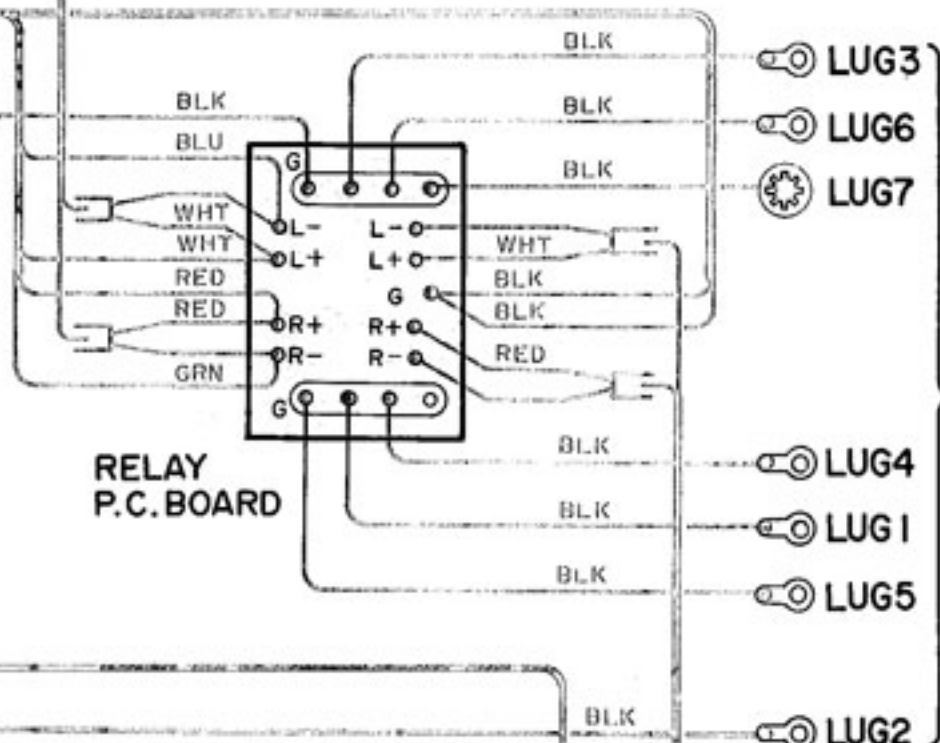
### SEI AUTO-LIFT SENER ASSEMBLY



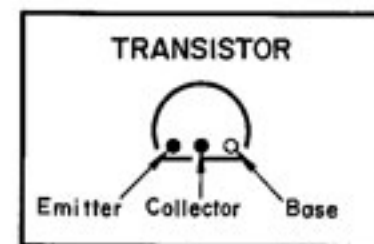
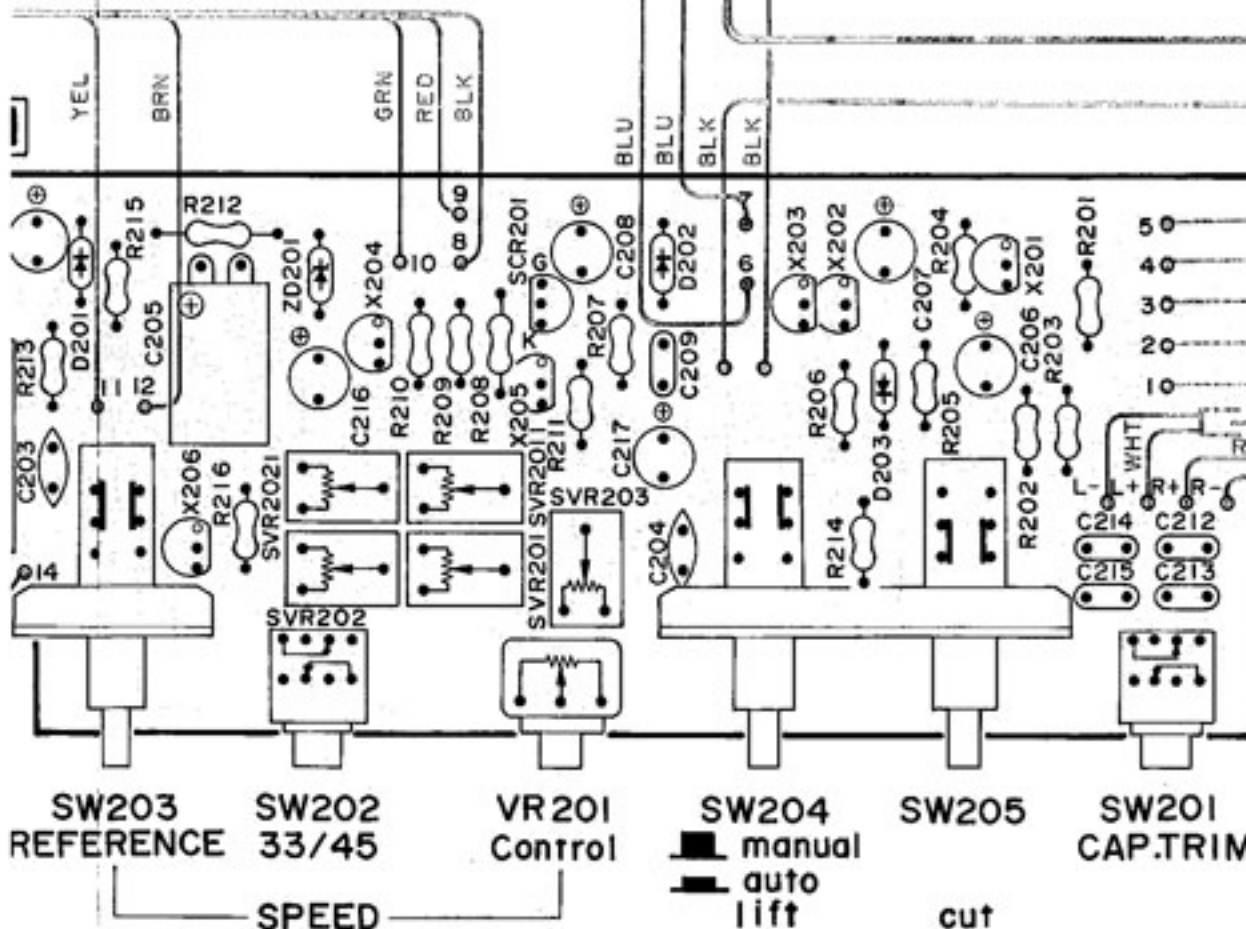
### PICK-UP ASSEMBLY



### RELAY P.C. BOARD



Refer to page 6



#### • WIRE COLOR ABBREVIATIONS

- RED : Red
- ORG : Orange
- BLU : Blue
- WHT : White
- GRN : Green
- BLK : Black
- YEL : Yellow
- PUP : Purple
- PIK : Pink