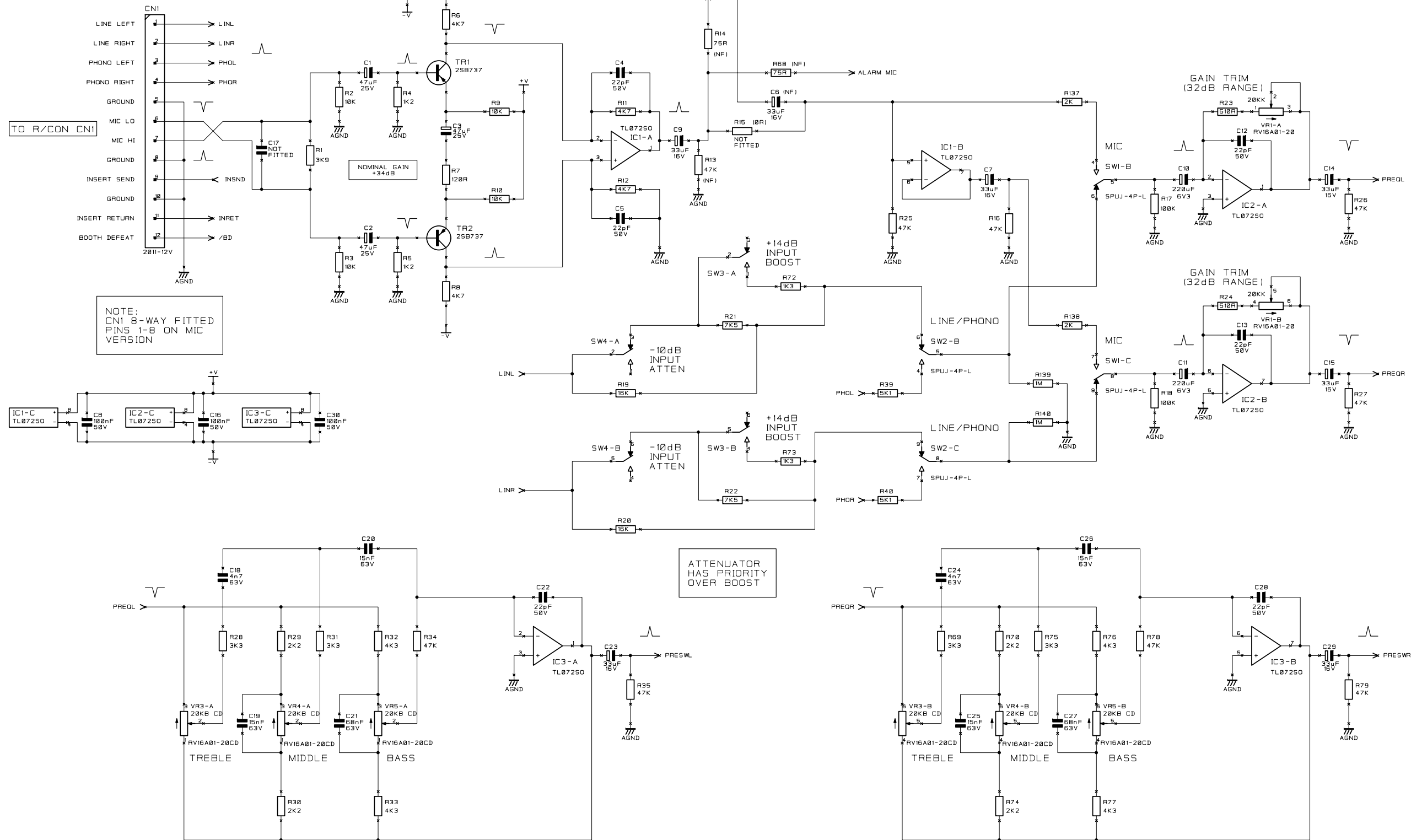


DRG NO.
E0279A-03A

INPUT & EQ



HARMAN INTERNATIONAL INDUSTRIES LTD. OWNS THE COPYRIGHT OF THIS DRAWING WHICH IS NOT TO BE COPIED, REPRODUCED OR DISCLOSED, IN PART OR WHOLE TO A THIRD PARTY WITHOUT PRIOR WRITTEN PERMISSION.

SOUNDCRAFT/BSS
HARMAN INT. INDUSTRIES LTD.
CRANBORNE HOUSE,
CRANBORNE ROAD,
POTTERS BAR,
HERTS. EN6 3JN.
TEL: 01707 665000
FAX: 01707 660482

NOTES: GAIN RANGES:
MIC +54/+22 dB
LINE (DEFAULT) +12/-20 dB
LINE (ATTENUATED) +2/-30 dB
LINE (BOOSTED) +26/-6 dB
PHONO +12/-20 dB

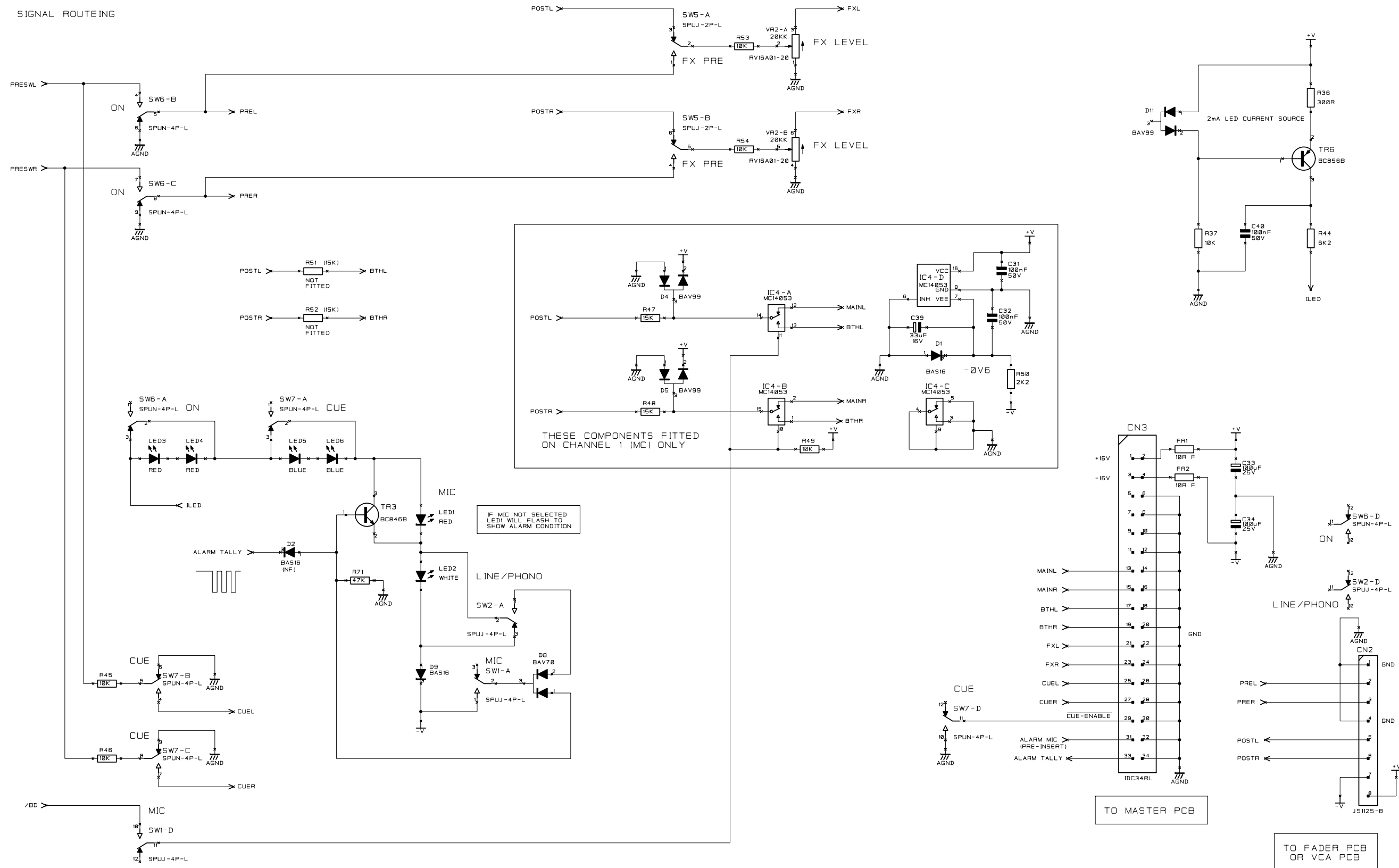
DRN. MSW
DATE 15-12-05
PROJECT CODE

CN No.	INITIAL	DATE	ISSUE
---	MSW	15-08-05	1A
Pre Prod	MSW	29-09-05	2A
Pre Prod	MSW	15-02-06	3A

TITLE
URE1 1603 / 1605
MC CHANNEL STRIP
INPUT & EQ
DRG NO. E0279A-03A SHT.1 OF 3

DRG NO.
E0279A-03A

SIGNAL ROUTING



HARMAN INTERNATIONAL INDUSTRIES LTD. OWNS THE COPYRIGHT OF THIS DRAWING WHICH IS NOT TO BE COPIED, REPRODUCED OR DISCLOSED, IN PART OR WHOLE TO A THIRD PARTY WITHOUT PRIOR WRITTEN PERMISSION.

SOUNDCRAFT/BSS
HARMAN INT. INDUSTRIES LTD.
CRANBORNE HOUSE,
CRANBORNE ROAD,
POTTERS BAR,
HERTS. EN6 3JN.
TEL: 01707 665000
FAX: 01707 660482

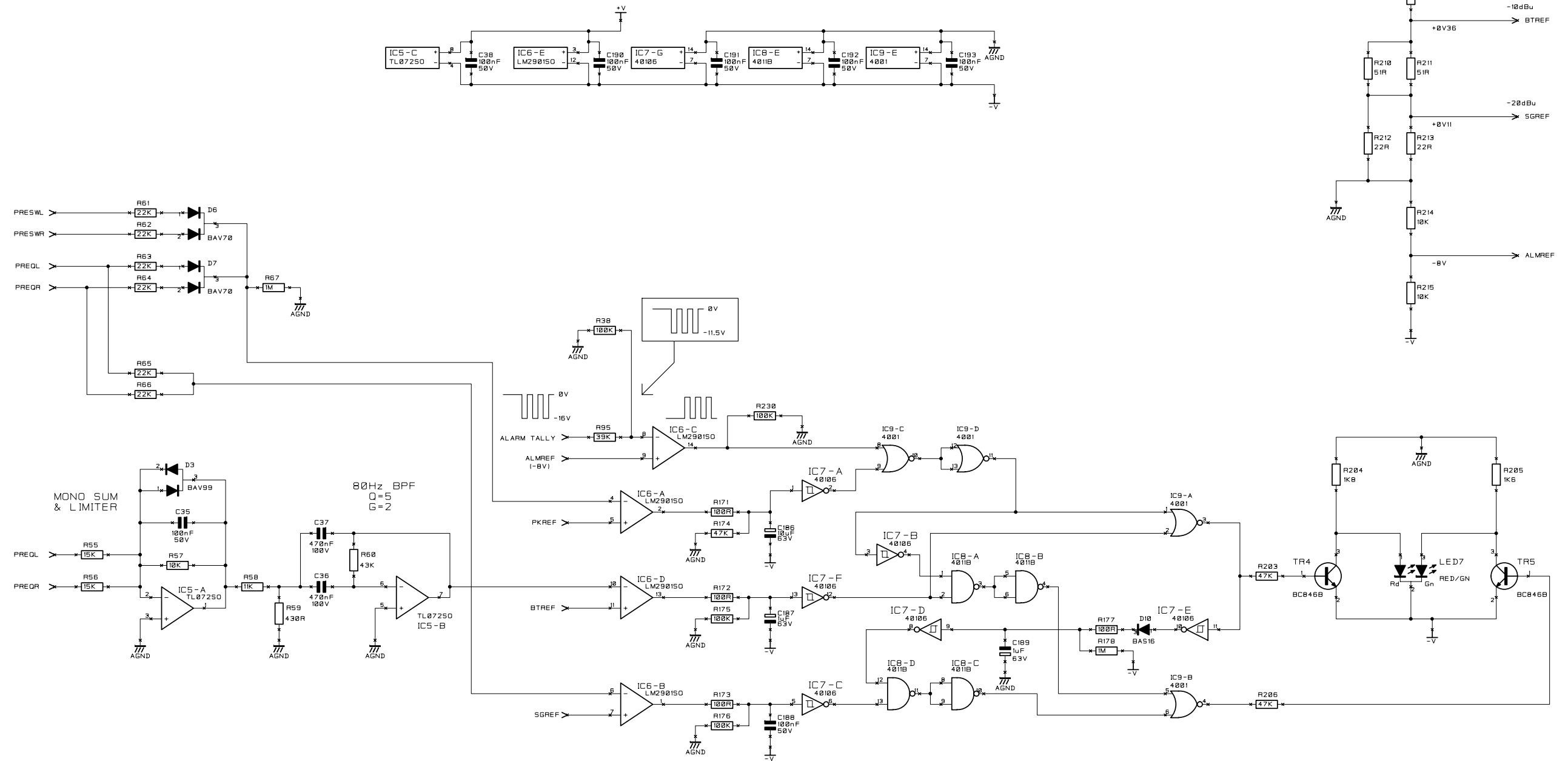
NOTES:

DRN.	MSW	CN No.	INITIAL	DATE	ISSUE	TITLE
DATE	15-12-05	----	MSW	15-08-05	1A	URE1 1603 / 1605 MC CHANNEL STRIP SIGNAL ROUTING
		Pre Prod	MSW	29-09-05	2A	
		Pre Prod	MSW	15-02-06	3A	
PROJECT CODE						DRG NO. E0279A-03A

SHT. 2 OF 3

DRG NO.
E0279A-03A

SBP CONTROL



HARMAN INTERNATIONAL INDUSTRIES LTD. OWNS THE COPYRIGHT OF THIS DRAWING WHICH IS NOT TO BE COPIED, REPRODUCED OR DISCLOSED, IN PART OR WHOLE TO A THIRD PARTY WITHOUT PRIOR WRITTEN PERMISSION.

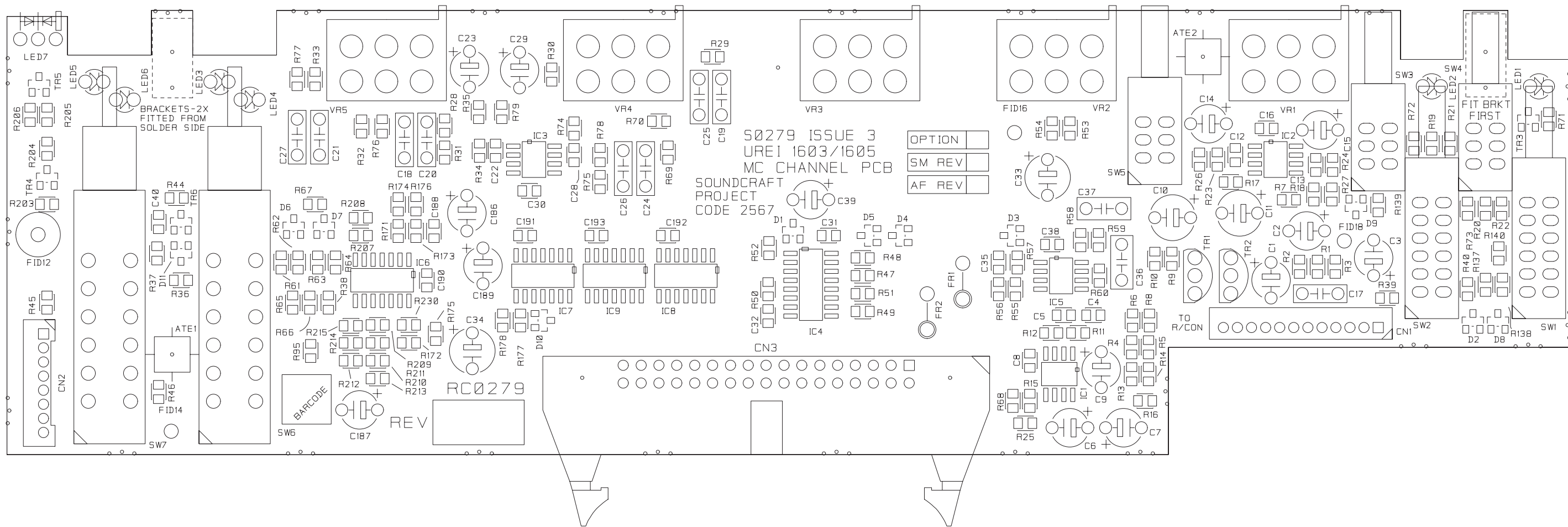
SOUNDCRAFT/BSS
HARMAN INT. INDUSTRIES LTD.
CRANBORNE HOUSE,
CRANBORNE ROAD,
POTTERS BAR,
HERTS. EN6 3JN.
TEL: 01707 665000
FAX: 01707 660482

NOTES:

DRN.	MSW
DATE	15-12-05
PROJECT CODE	

CN No.	INITIAL	DATE	ISSUE
----	MSW	15-08-05	1A
Pre Prod	MSW	29-09-05	2A
Pre Prod	MSW	15-02-06	3A

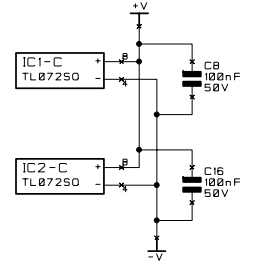
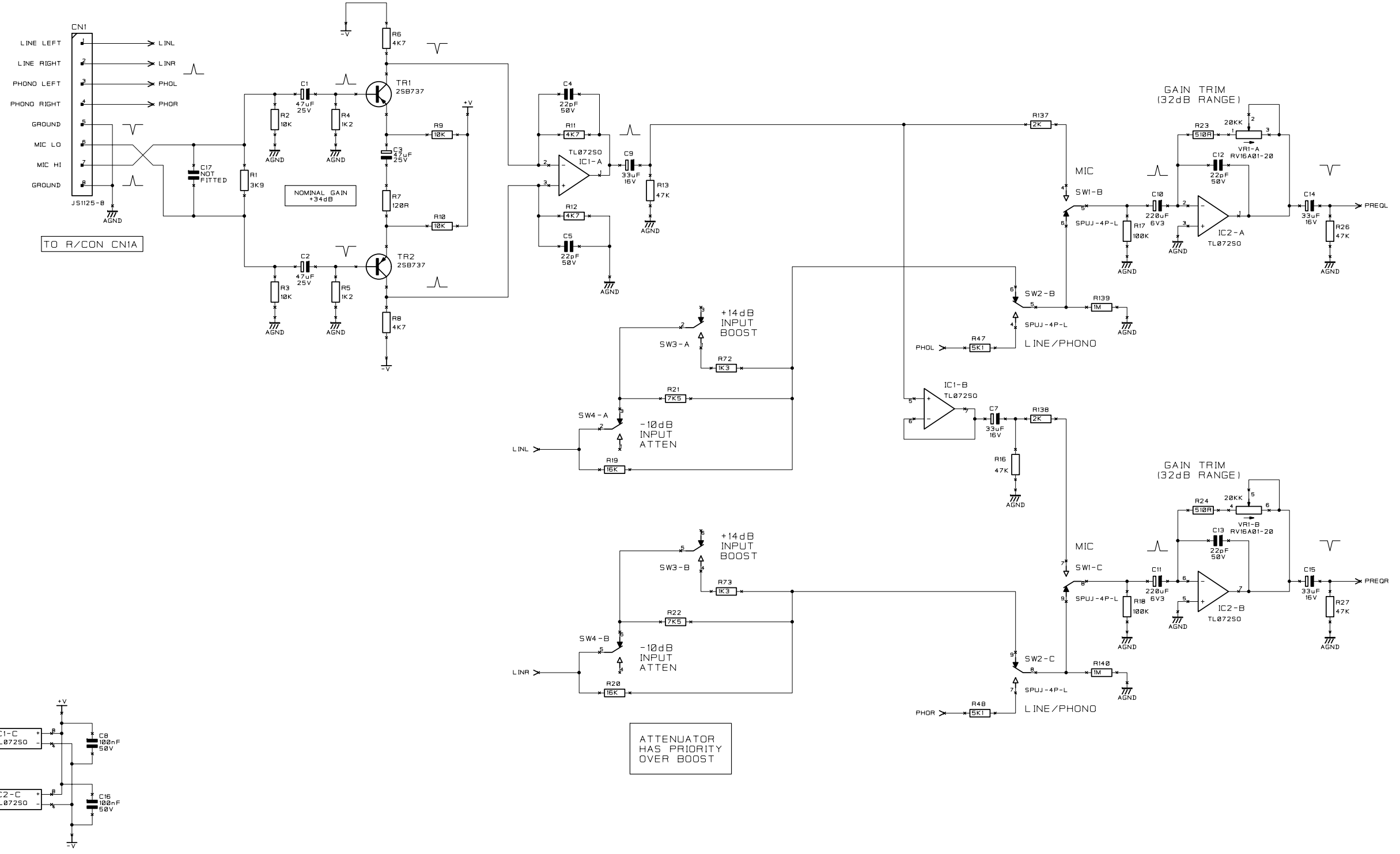
TITLE	URE1 1603 / 1605 MC CHANNEL STRIP SBP CONTROL
DRG NO.	E0279A-03A
SHT.	3 OF 3



UREI 1603/1605 MC CHANNEL PCB
 S0279-03

DRG NO.
E0280A-03A

INPUT



HARMAN INTERNATIONAL INDUSTRIES LTD. OWNS THE COPYRIGHT OF THIS DRAWING WHICH IS NOT TO BE COPIED, REPRODUCED OR DISCLOSED, IN PART OR WHOLE TO A THIRD PARTY WITHOUT PRIOR WRITTEN PERMISSION.

SOUNDCRAFT/BSS
HARMAN INT. INDUSTRIES LTD.
CRANBORNE HOUSE,
CRANBORNE ROAD,
POTTERS BAR,
HERTS. EN6 3JN.
TEL: 01707 665000
FAX: 01707 660482

NOTES: GAIN RANGES:

MIC	+54/+22 dB
LINE (DEFAULT)	+12/-20 dB
LINE (ATTENUATED)	+2/-30 dB
LINE (BOOSTED)	+26/-6 dB
PHONO	+12/-20 dB

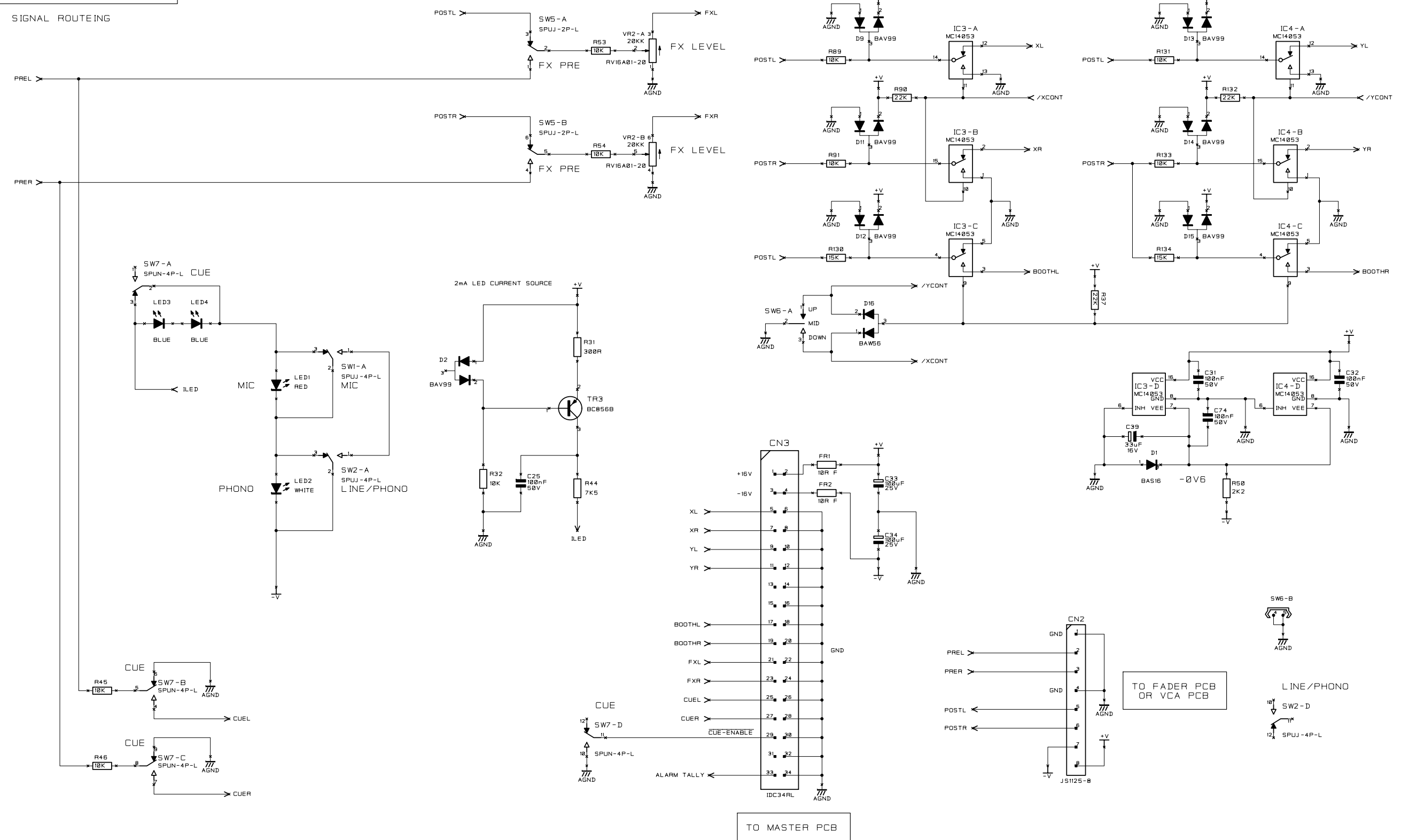
DRN.	MSW
DATE	15-12-05
PROJECT CODE	

CN No.	INITIAL	DATE	ISSUE
---	MSW	11-08-05	01A
---	MSW	06-10-05	02A
---	MSW	11-01-06	03A

TITLE	URE1 1603 / 1605 DJ CHANNEL STRIP INPUT
DRG NO.	E0280A-03A
SHT.1 OF 4	

DRG NO.
E0280A-03A

SIGNAL ROUTEING



HARMAN INTERNATIONAL INDUSTRIES LTD. OWNS THE COPYRIGHT OF THIS DRAWING WHICH IS NOT TO BE COPIED, REPRODUCED OR DISCLOSED, IN PART OR WHOLE TO A THIRD PARTY WITHOUT PRIOR WRITTEN PERMISSION.

SOUNDCRAFT/BSS
HARMAN INT. INDUSTRIES LTD.
CRANBORNE HOUSE,
CRANBORNE ROAD,
POTTERS BAR,
HERTS. EN6 3JN.
TEL: 01707 665000
FAX: 01707 660482

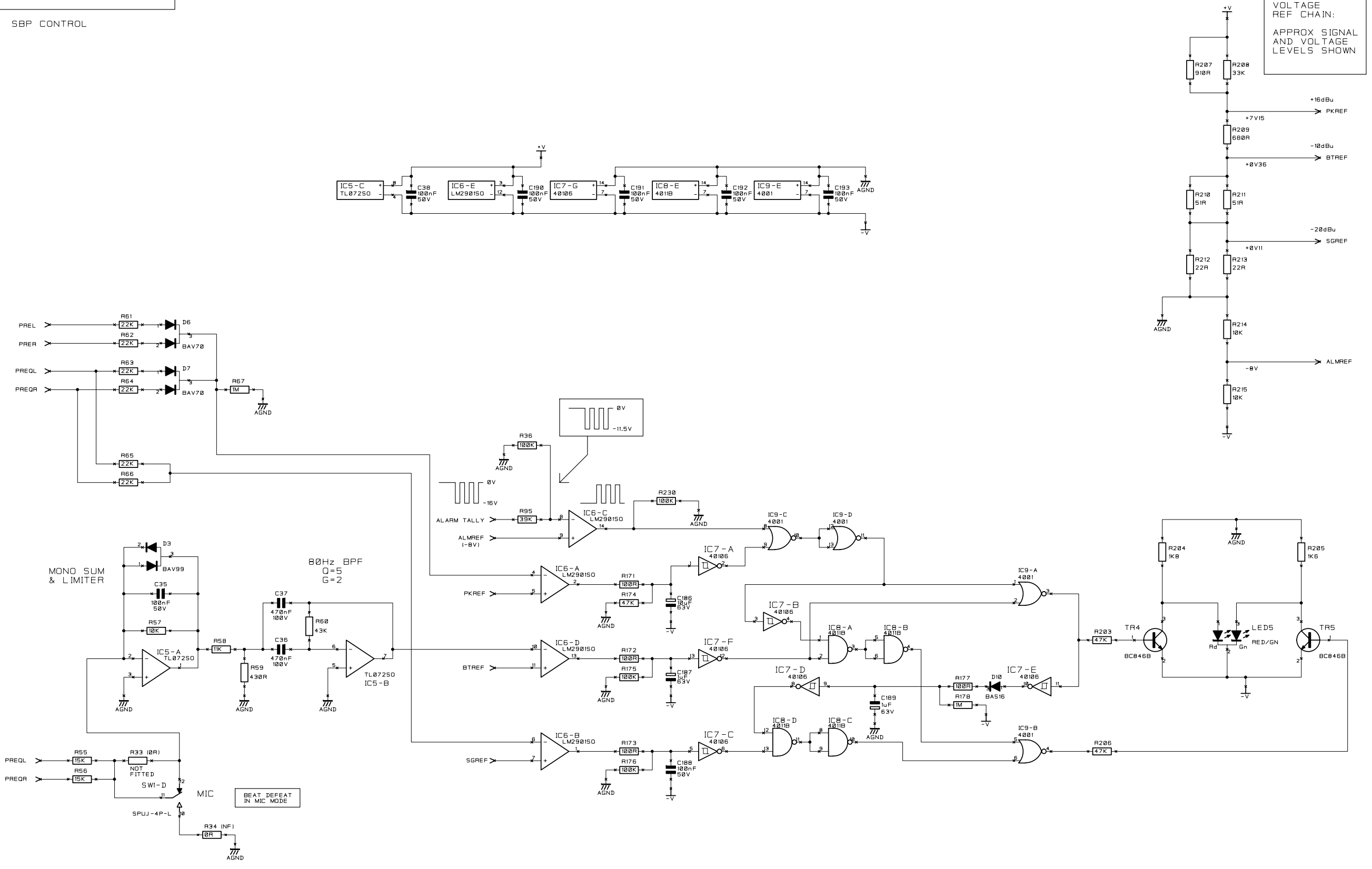
NOTES:

DRN.	MSW	CN No.	---	INITIAL	MSW	DATE	11-08-05	ISSUE	01A	TITLE URE1 1603 / 1605 DJ CHANNEL STRIP SIGNAL ROUTEING
DATE	15-12-05		---		MSW		06-10-05		02A	
PROJECT CODE			---		MSW		11-01-06		03A	

DRG NO. E0280A-03A SHT. 2 OF 4

DRG NO.
E0280A-03A

SBP CONTROL



HARMAN INTERNATIONAL INDUSTRIES LTD. OWNS THE COPYRIGHT OF THIS DRAWING WHICH IS NOT TO BE COPIED, REPRODUCED OR DISCLOSED, IN PART OR WHOLE TO A THIRD PARTY WITHOUT PRIOR WRITTEN PERMISSION.

SOUNDCRAFT/BSS
HARMAN INT. INDUSTRIES LTD.
CRANBORNE HOUSE,
CRANBORNE ROAD,
POTTERS BAR,
HERTS. EN6 3JN.
TEL: 01707 665000
FAX: 01707 660482

NOTES:

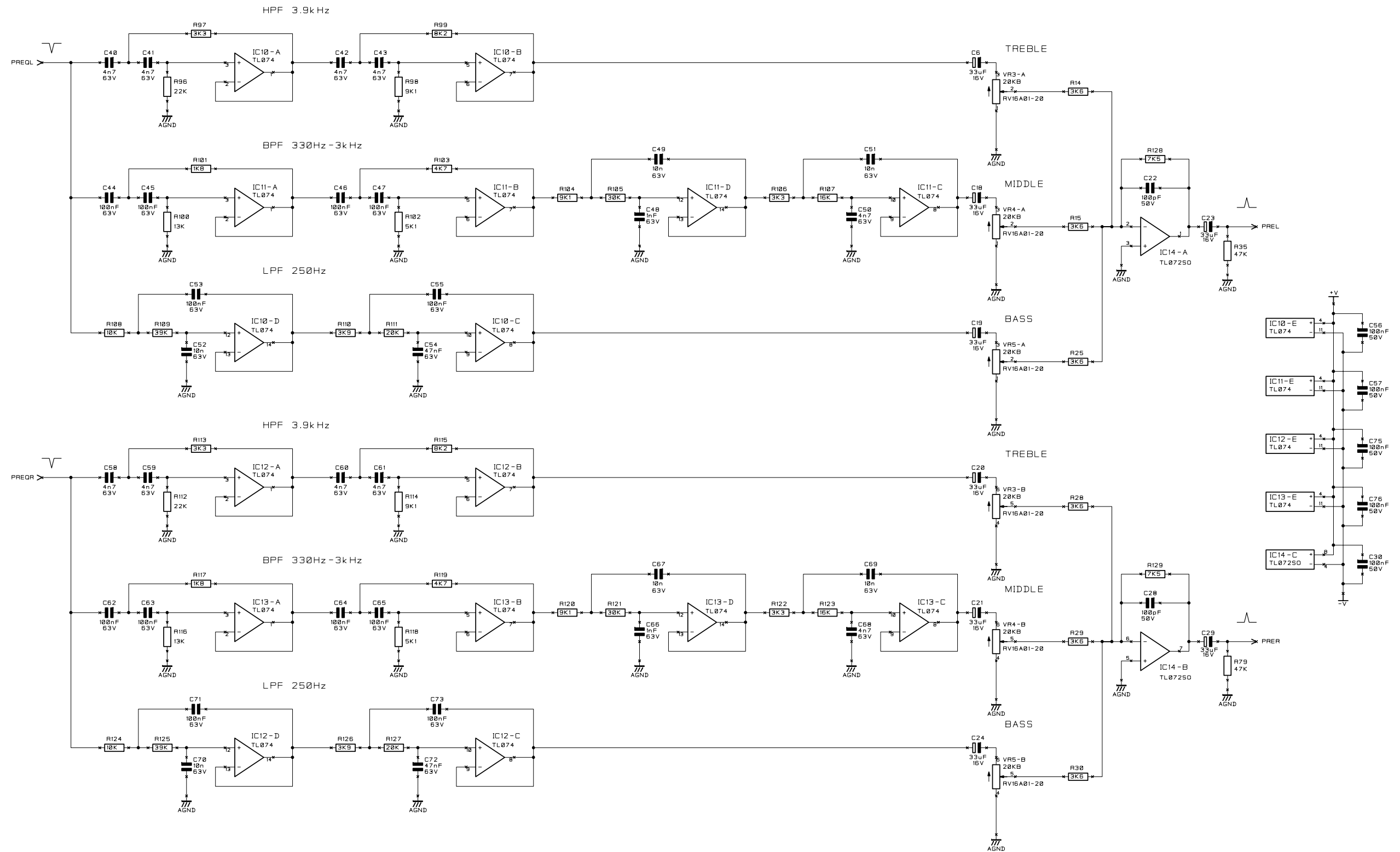
DRN.	MSW
DATE	15-12-05
PROJECT CODE	

CN No.	INITIAL	DATE	ISSUE
---	MSW	11-08-05	01A
---	MSW	06-10-05	02A
---	MSW	11-01-06	03A

TITLE
URE1 1603 / 1605
DJ CHANNEL STRIP
SBP CONTROL
DRG NO. E0280A-03A SHT.3 OF 4

DRG NO.
E0280A-03A

ISOLATOR EQ



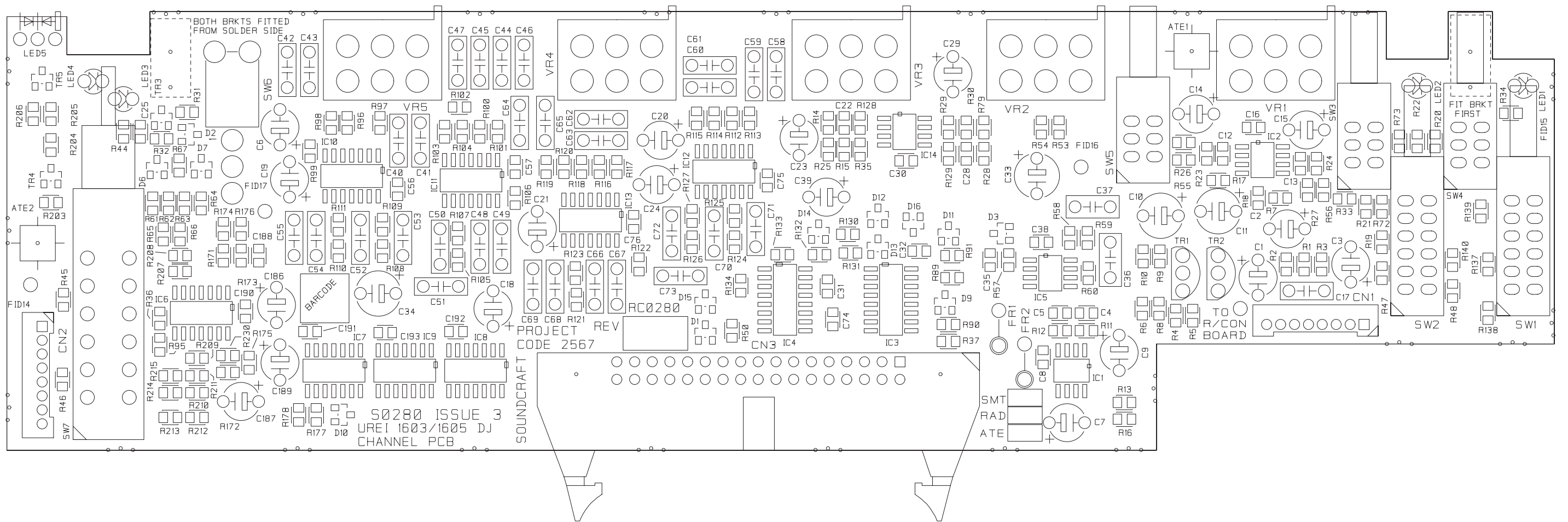
HARMAN INTERNATIONAL INDUSTRIES LTD. OWNS THE COPYRIGHT OF THIS DRAWING WHICH IS NOT TO BE COPIED, REPRODUCED OR DISCLOSED, IN PART OR WHOLE TO A THIRD PARTY WITHOUT PRIOR WRITTEN PERMISSION.

SOUNDCRAFT/BSS
HARMAN INT. INDUSTRIES LTD.
CRANBORNE HOUSE,
CRANBORNE ROAD,
POTTERS BAR,
HERTS. EN6 3JN.
TEL: 01707 665000
FAX: 01707 660482

NOTES:

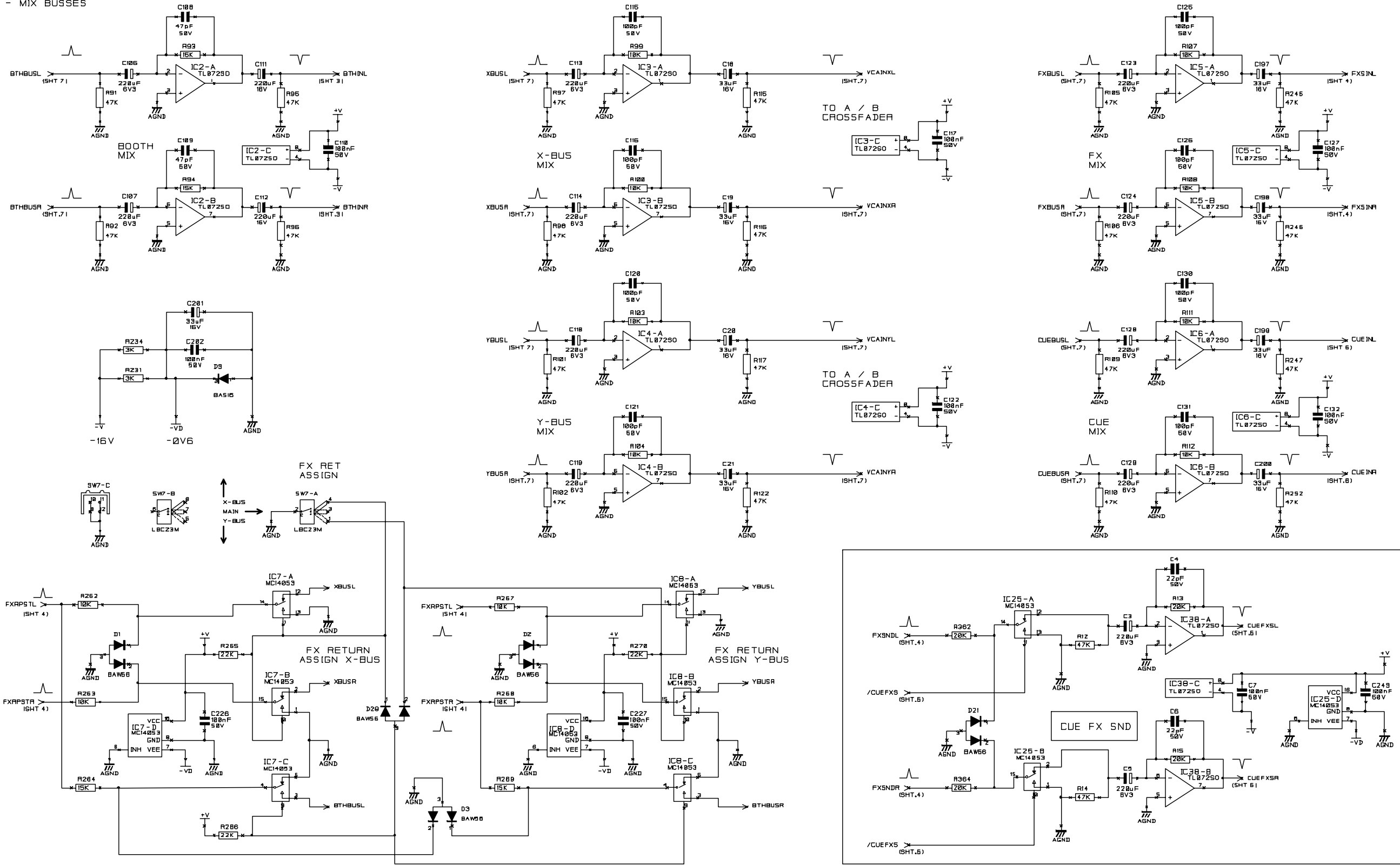
DRN.	MSW	CN No.	INITIAL	DATE	ISSUE	TITLE
		---	MSW	11-08-05	01A	URE1 1603 / 1605 DJ CHANNEL STRIP ISOLATOR EQ
DATE	15-12-05	---	MSW	06-10-05	02A	
PROJECT CODE		---	MSW	11-01-06	03A	

DRG NO. E0280A-03A SHT. 4 OF 4



UREI 1603/1605 DJ CHANNEL PCB
S0280-03

1 - MIX BUSESSES



HARMAN INTERNATIONAL INDUSTRIES LTD. OWNS THE COPYRIGHT OF THIS DRAWING WHICH IS NOT TO BE COPIED, REPRODUCED OR DISCLOSED, IN PART OR WHOLE TO A THIRD PARTY WITHOUT PRIOR WRITTEN PERMISSION.

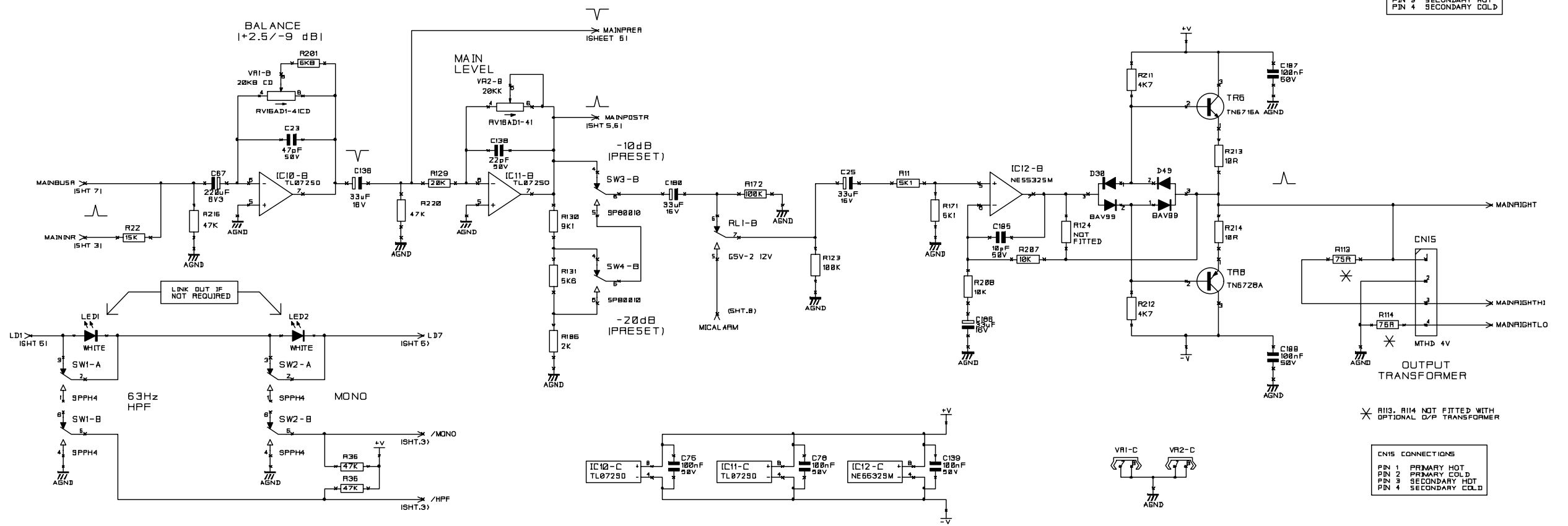
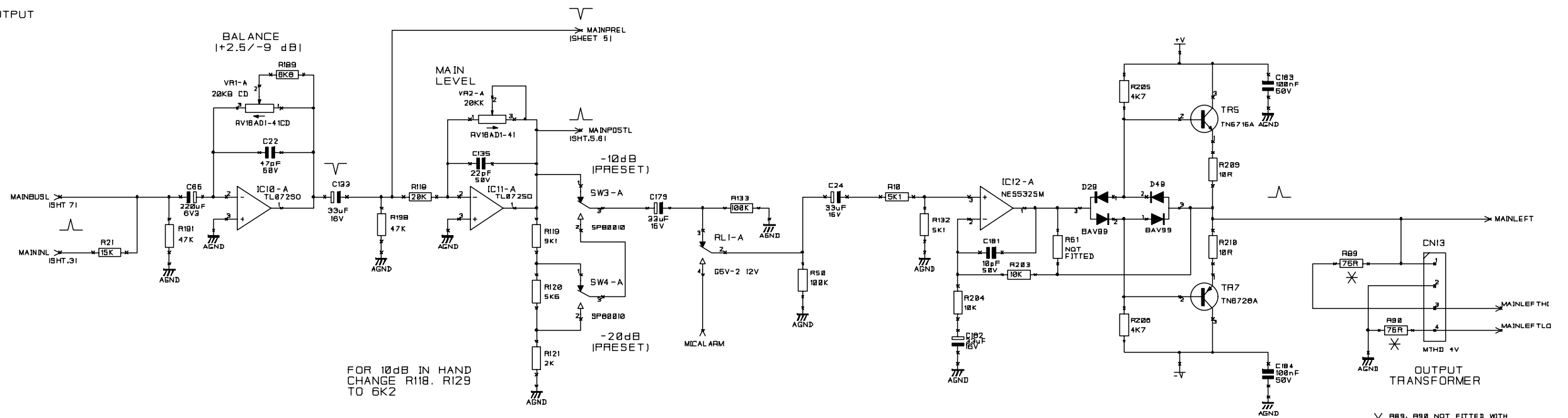
SOUNDCRAFT/BSS
 HARMAN INT INDUSTRIES LTD
 CRANBORNE HOUSE,
 CRANBORNE ROAD,
 POTTERS BAR,
 HERTS. EN6 3JN.
 TEL: 01707 665000
 FAX: 01707 660482

NOTES CROSSFADER ASSIGNS LABELLED
 A & B ON UNIT TOP PANEL
 A = X-BUS B = Y-BUS

DRN.	MSW	CN No.	INITIAL	DATE	ISSUE	TITLE	URE1 1603/1605 MASTER & MIX PCB
DATE	01-03-06	----	MSW	31-08-05	01A		
		----	MSW	02-11-05	02A		
		----	MSW	07-02-06	03A		
		----	MSW	02-03-06	04A		
PROJECT CODE		----	MSW	02-03-06	04B		
		ECNH699	PST	11-04-06	04B		

DRG NO	E0283C-04C	SHT 1 OF 8
--------	------------	------------

2 - MAIN OUTPUT



HARMAN INTERNATIONAL INDUSTRIES LTD. OWNS THE COPYRIGHT OF THIS DRAWING WHICH IS NOT TO BE COPIED, REPRODUCED OR DISCLOSED, IN PART OR WHOLE TO A THIRD PARTY WITHOUT PRIOR WRITTEN PERMISSION.

SOUNDCRAFT/BSS
HARMAN INT INDUSTRIES LTD
CRANBORNE HOUSE,
CRANBORNE ROAD,
POTTERS BAR,
HERTS. EN6 3JN.
TEL: 01707 665000
FAX: 01707 660482

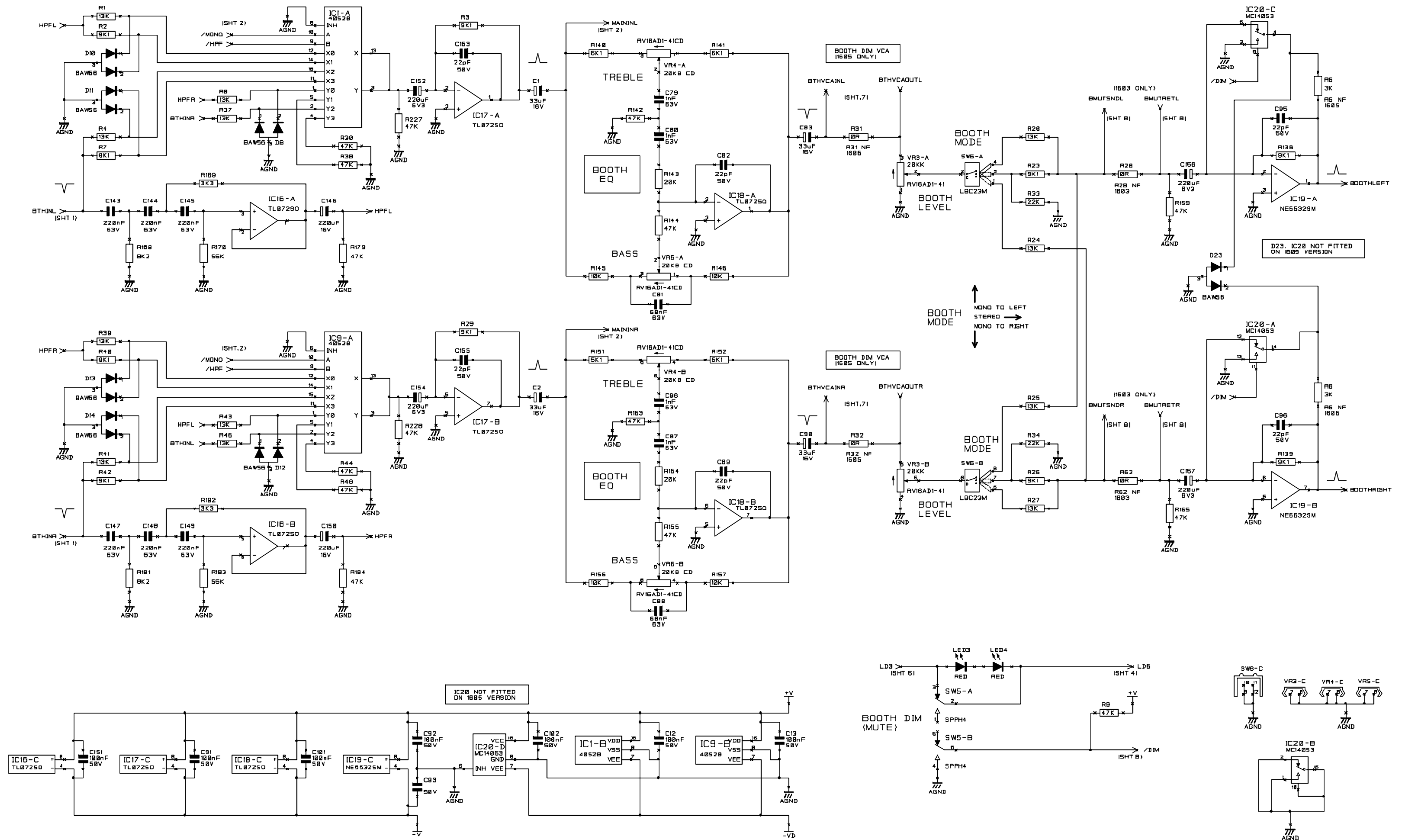
NOTES

DRN.	MSW	CN No.	INITIAL	DATE	ISSUE	TITLE URE1 1603/1605 MASTER & MIX PCB MAIN
DATE	01-03-06	----	MSW	31-08-05	01A	
PROJECT CODE	ECNH699	----	MSW	02-11-05	02A	
		PST	07-02-06	03A		
		----	MSW	02-03-06	04A	DRG NO E0283C-04C
		----	MSW	02-03-06	04B	
				11-04-06	04B	

DRG NO

E0283C-04C

3 - BOOTH OUTPUT



HARMAN INTERNATIONAL INDUSTRIES LTD OWNS THE COPYRIGHT OF THIS DRAWING WHICH IS NOT TO BE COPIED, REPRODUCED OR DISCLOSED, IN PART OR WHOLE TO A THIRD PARTY WITHOUT PRIOR WRITTEN PERMISSION.

SOUNDCRAFT/BSS
HARMAN INT INDUSTRIES LTD.
CRANBORNE HOUSE,
CRANBORNE ROAD,
POTTERS BAR,
HERTS. EN6 3JN.
TEL: 01707 665000
FAX: 01707 660482

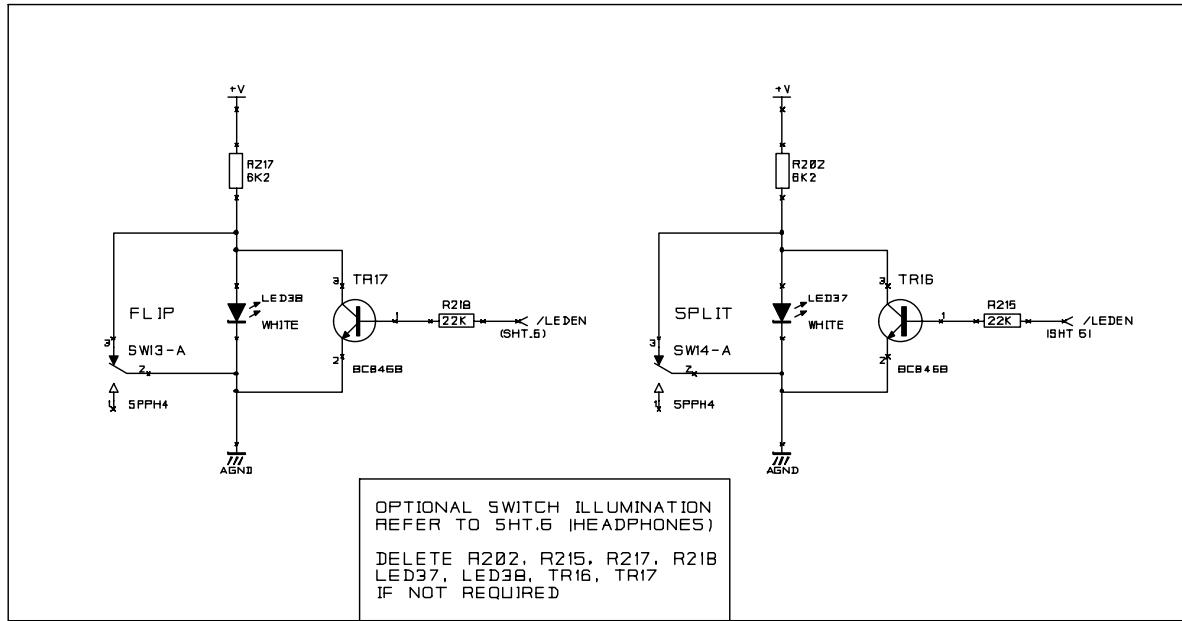
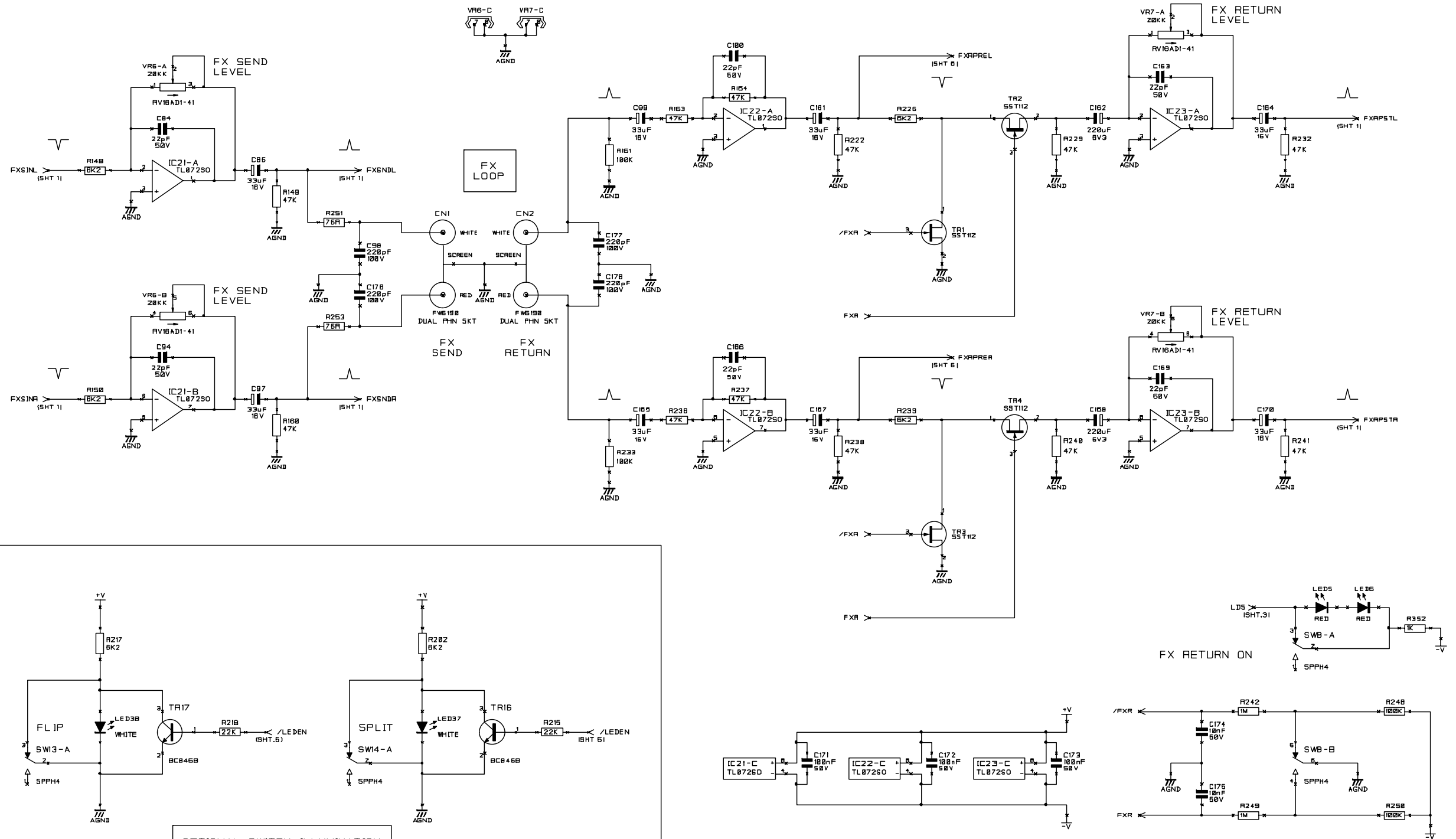
NOTES
IC20 NOT FITTED ON 1605 VERSION

DRN.	MSW	CN No.	INITIAL	DATE	ISSUE	TITLE
		----	MSW	31-08-05	01A	URE1 1603/1605
DATE	01-03-06	----	MSW	02-11-05	02A	MASTER & MIX PCB
		----	MSW	07-02-06	03A	BOOTH
		----	MSW	02-03-06	04A	
PROJECT CODE		----	MSW	02-03-06	04B	
		ECNH699	PST	11-04-06	04B	

DRG NO. E0283C-04C SHT.3 OF 8

DRG NO
E0283C-04C

4 - FX LOOP



HARMAN INTERNATIONAL INDUSTRIES LTD. OWNS THE COPYRIGHT OF THIS DRAWING WHICH IS NOT TO BE COPIED, REPRODUCED OR DISCLOSED, IN PART OR WHOLE TO A THIRD PARTY WITHOUT PRIOR WRITTEN PERMISSION.

SOUNDCRAFT/BSS
HARMAN INT INDUSTRIES LTD
CRANBORNE HOUSE,
CRANBORNE ROAD,
POTTERS BAR,
HERTS. EN6 3JN.
TEL: 01707 665000
FAX: 01707 660482

NOTES

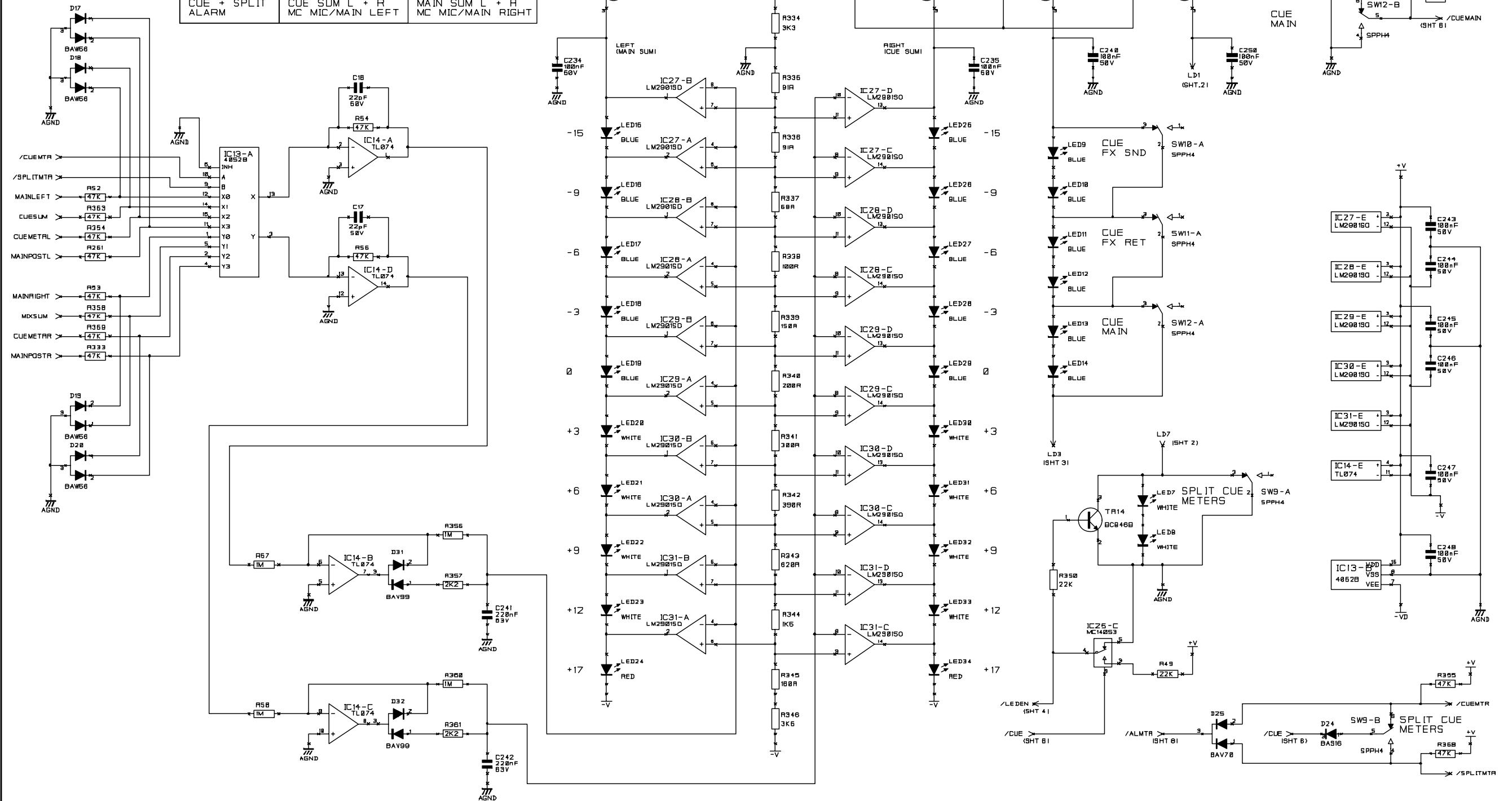
DRN.	MSW	CN No.	INITIAL	DATE	ISSUE	TITLE	URE1 1603/1605 MASTER & MIX PCB
DATE	01-03-06	----	MSW	31-08-05	01A		
		----	MSW	02-11-05	02A		
		----	MSW	07-02-06	03A		
		----	MSW	02-03-06	04A		
		----	MSW	02-03-06	04B		
PROJECT CODE		----	MSW	02-03-06	04B		
		ECNH699	PST	11-04-06	04B		

DRG NO	E0283C-04C	SHT 4 OF 6
--------	------------	---------------

DRG NO
E0283C-04C

5 - METERS

METERING MODES		
MODE -	LEFT	RIGHT
DEFAULT	MAIN MIX LEFT	MAIN MIX RIGHT
CUE	CUE MIX LEFT	CUE MIX RIGHT
CUE + SPLIT	CUE SUM L + R	MAIN SUM L + R
ALARM	MC MIC/MAIN LEFT	MC MIC/MAIN RIGHT



HARMAN INTERNATIONAL INDUSTRIES LTD. OWNS THE COPYRIGHT OF THIS DRAWING WHICH IS NOT TO BE COPIED, REPRODUCED OR DISCLOSED, IN PART OR WHOLE TO A THIRD PARTY WITHOUT PRIOR WRITTEN PERMISSION.

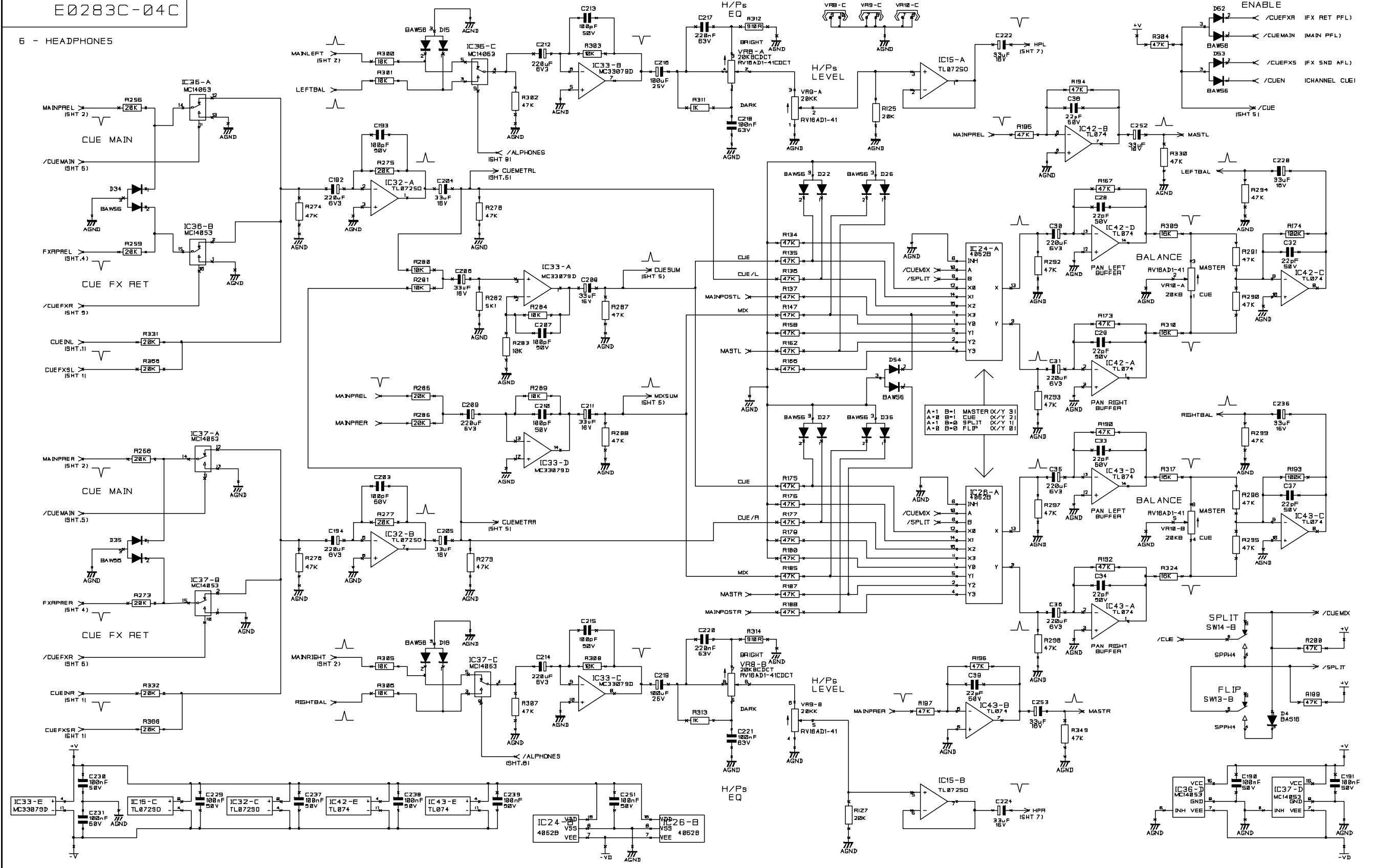
SOUNDCRAFT/BSS
HARMAN INT INDUSTRIES LTD
CRANBORNE HOUSE,
CRANBORNE ROAD,
POTTERS BAR,
HERTS. EN6 3JN.
TEL: 01707 665000
FAX: 01707 660482

NOTES

DRN.	MSW	CN No.	INITIAL	DATE	ISSUE	TITLE	URE1 1603/1605 MASTER & MIX PCB
DATE	01-03-06	----	MSW	31-08-05	01A	METERS	
PROJECT CODE		----	MSW	02-11-05	02A		
		----	MSW	07-02-06	03A		
		----	MSW	02-03-06	04A		
		----	MSW	02-03-06	04B		
		ECNH699	PST	11-04-06	04B	DRG NO	E0283C-04C

DRG NO
E0283C-04C

6 - HEADPHONES



HARMAN INTERNATIONAL INDUSTRIES LTD. OWNS THE COPYRIGHT OF THIS DRAWING WHICH IS NOT TO BE COPIED, REPRODUCED OR DISCLOSED, IN PART OR WHOLE TO A THIRD PARTY WITHOUT PRIOR WRITTEN PERMISSION

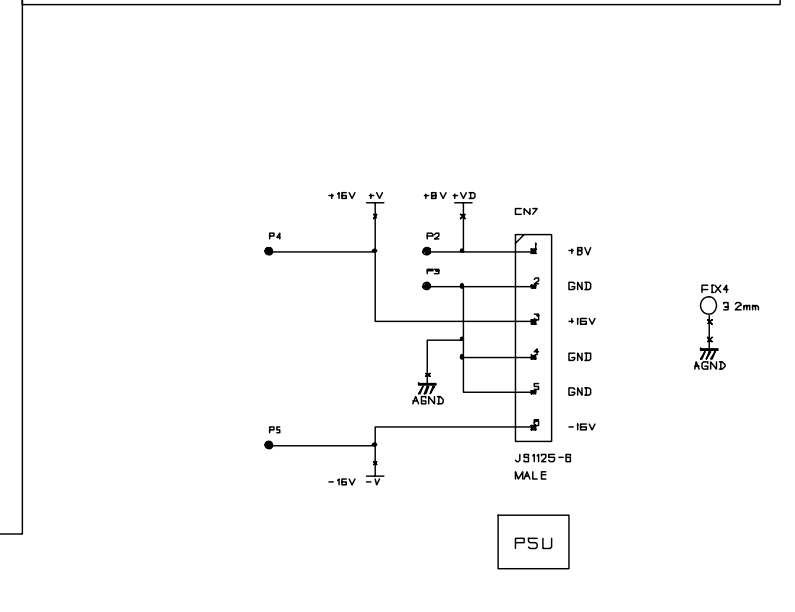
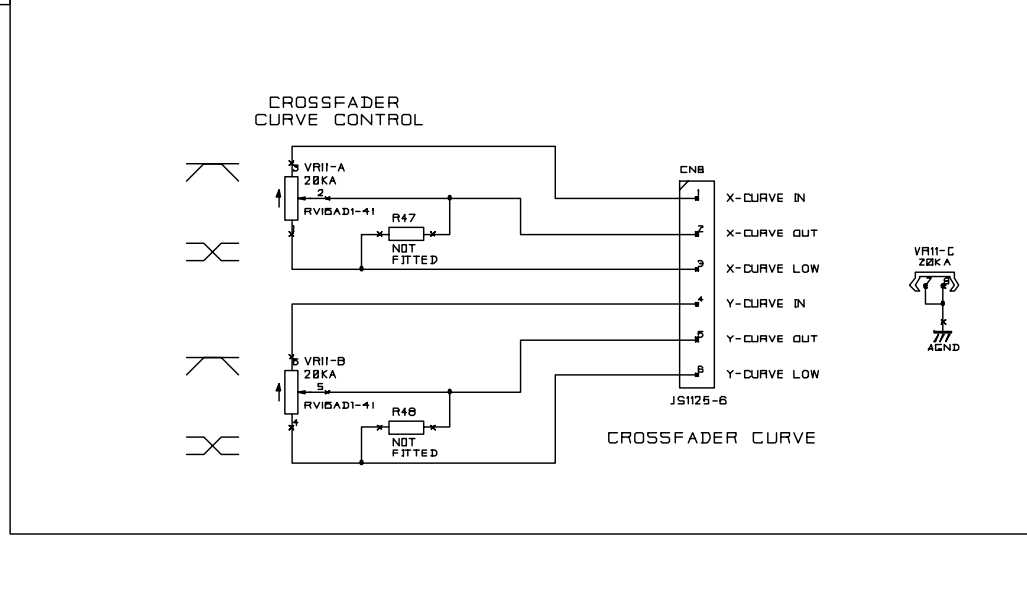
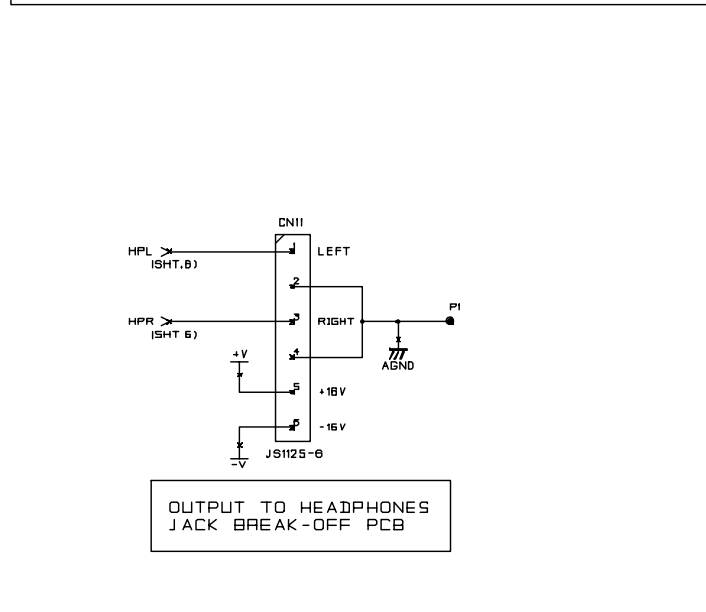
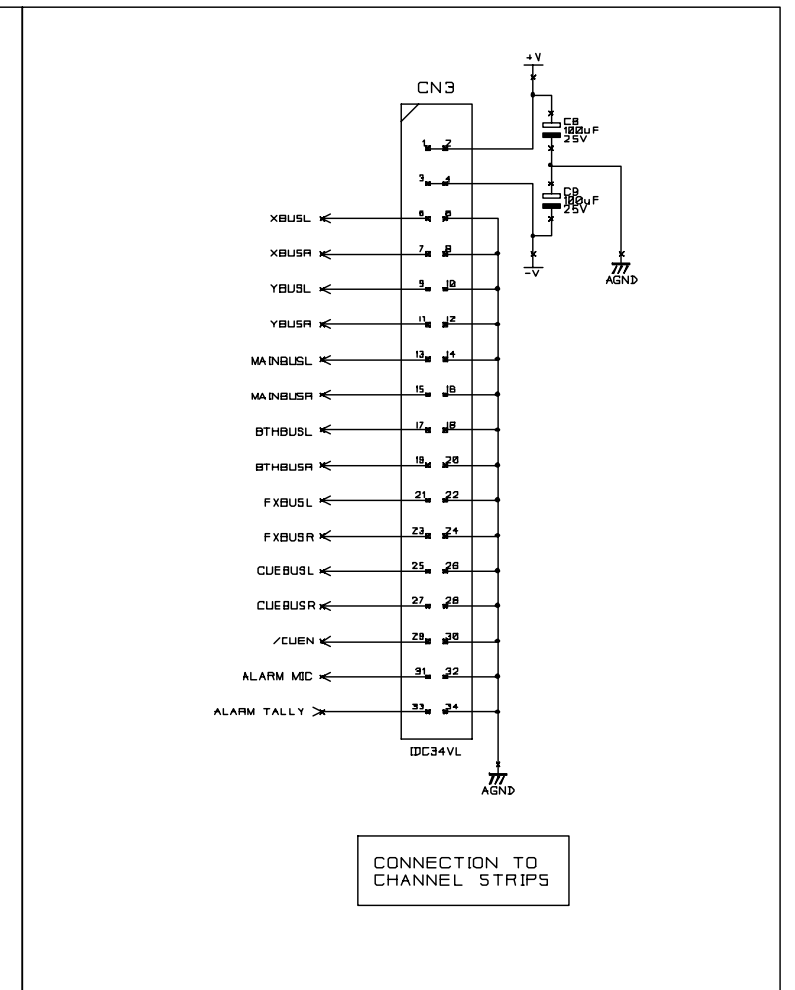
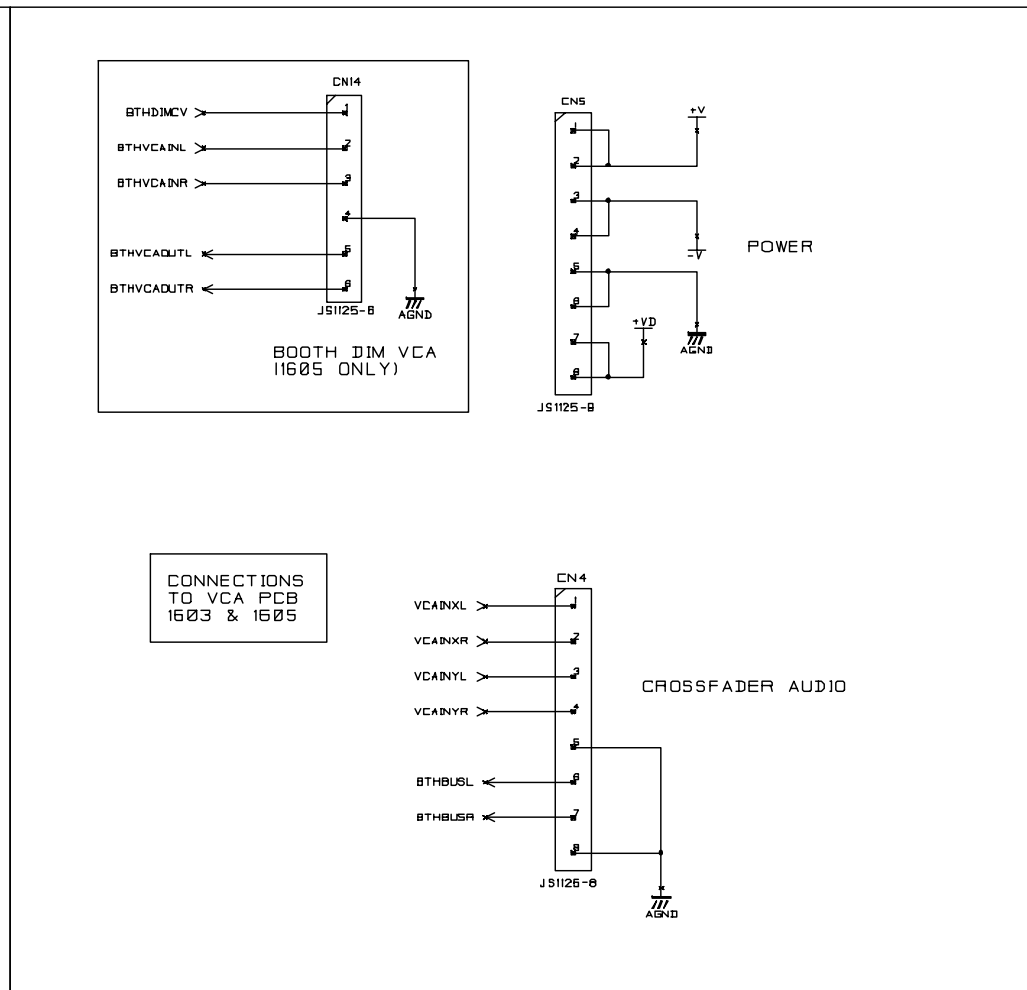
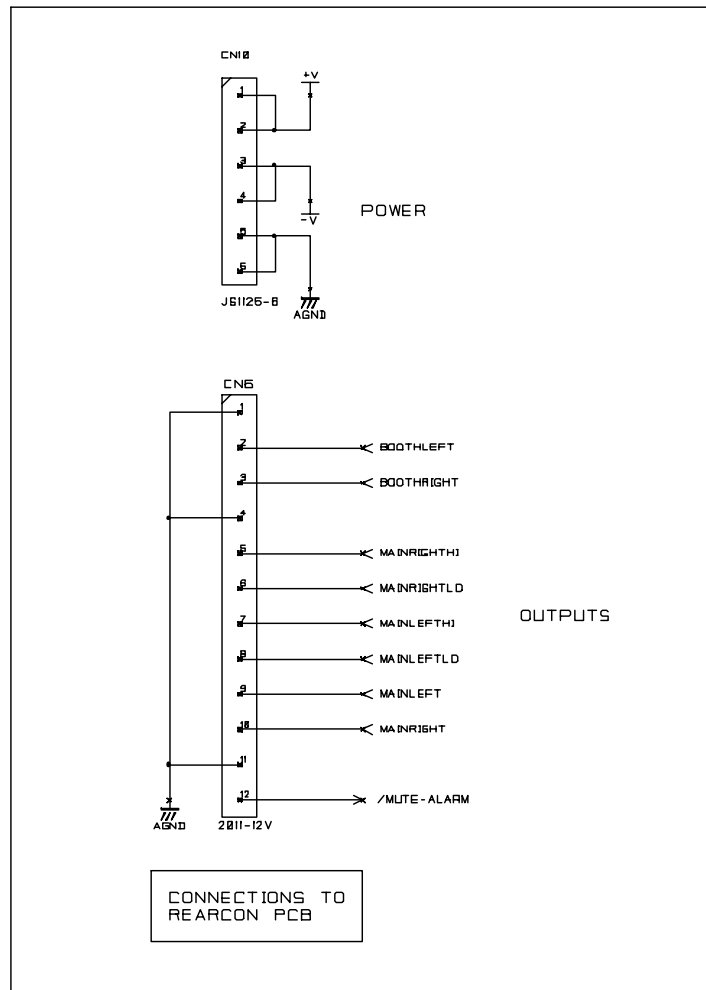
SOUNDCRAFT/BSS
HARMAN INT INDUSTRIES LTD
CRANBORNE HOUSE,
CRANBORNE ROAD,
POTTERS BAR,
HERTS. EN6 3JN.
TEL: 01707 665000
FAX: 01707 660482

NOTES: HEADPHONES MONITOR MODES.
DEFAULT STEREO MASTER AFL (L/R BALANCE)
ANY CUE SELECTED: STEREO CUE + STEREO MAIN PFL (CUE/MAIN BAL)
CUE + SPLIT: MONO CUE/MONO MAIN PFL (CUE/MAIN PAN)
CUE + SPLIT + FLIP: MONO MAIN PFL/MONO CUE (CUE/MAIN PAN)
EXTERNAL MUTE: MC MIC IIF PRESET LEVEL CONTROL UP - SHT.8)

DRN	MSW	CN No	INITIAL	DATE	ISSUE
		----	MSW	31-08-05	01A
DATE	01-03-06	----	MSW	02-11-05	02A
		----	MSW	07-02-06	03A
		----	MSW	02-03-06	04A
PROJECT CODE		----	MSW	02-03-06	04B
		ECNH899	PST	11-04-06	04B

TITLE URE1 1603/1605
MASTER & MIX PCB
HEADPHONES
DRG NO. E0283C-04C SHT.5 OF 8

7 - INTERCONNECT



HARMAN INTERNATIONAL INDUSTRIES LTD. OWNS THE COPYRIGHT OF THIS DRAWING WHICH IS NOT TO BE COPIED, REPRODUCED OR DISCLOSED, IN PART OR WHOLE TO A THIRD PARTY WITHOUT PRIOR WRITTEN PERMISSION.

SOUNDCRAFT/BSS
HARMAN INT INDUSTRIES LTD
CRANBORNE HOUSE,
CRANBORNE ROAD,
POTTERS BAR,
HERTS. EN6 3JN.
TEL: 01707 665000
FAX: 01707 660482

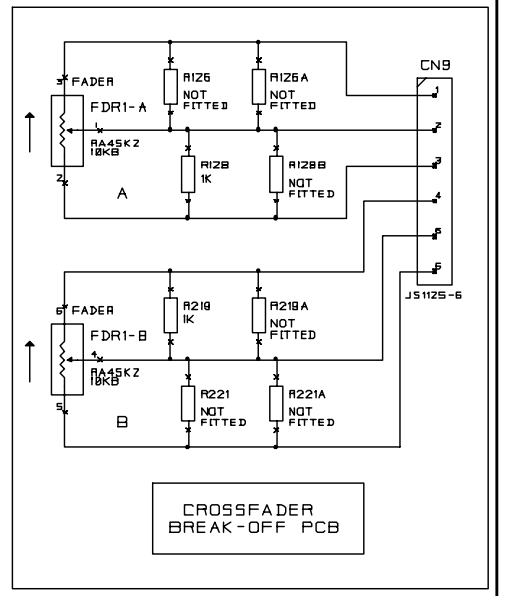
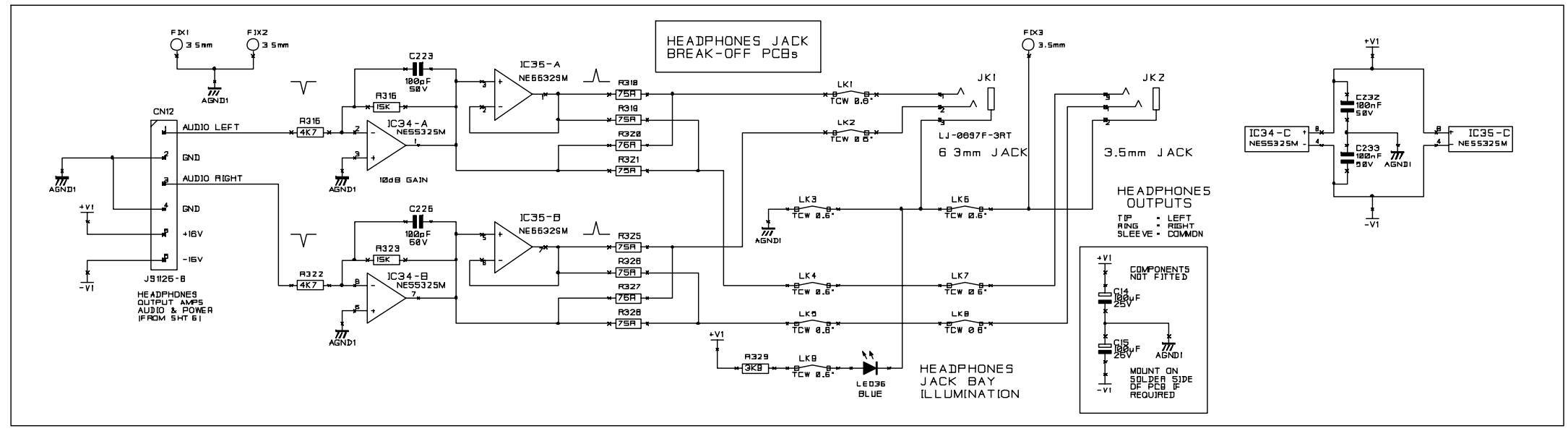
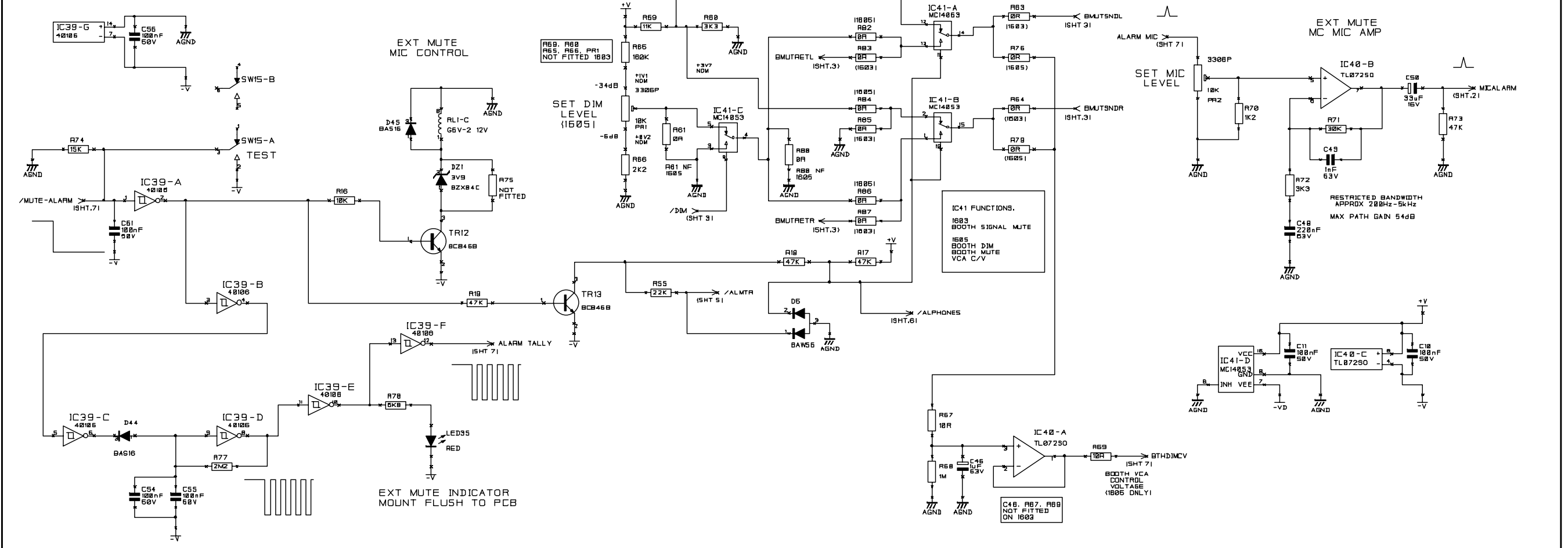
NOTES

DRN.	MSW	CN No.	INITIAL	DATE	ISSUE
DATE	01-03-06	----	MSW	31-08-05	01A
PROJECT CODE		----	MSW	02-11-05	02A
		----	MSW	07-02-06	03A
		----	MSW	02-03-06	04A
		----	MSW	02-03-06	04B
		ECNH699	PST	11-04-06	04B

TITLE URE1 1603/1605
MASTER & MIX PCB
INTERCONNECT
DRG NO E0283C-04C SHT 7 OF 8

DRG NO
E0283C-04C

8 - MISCELLANEOUS



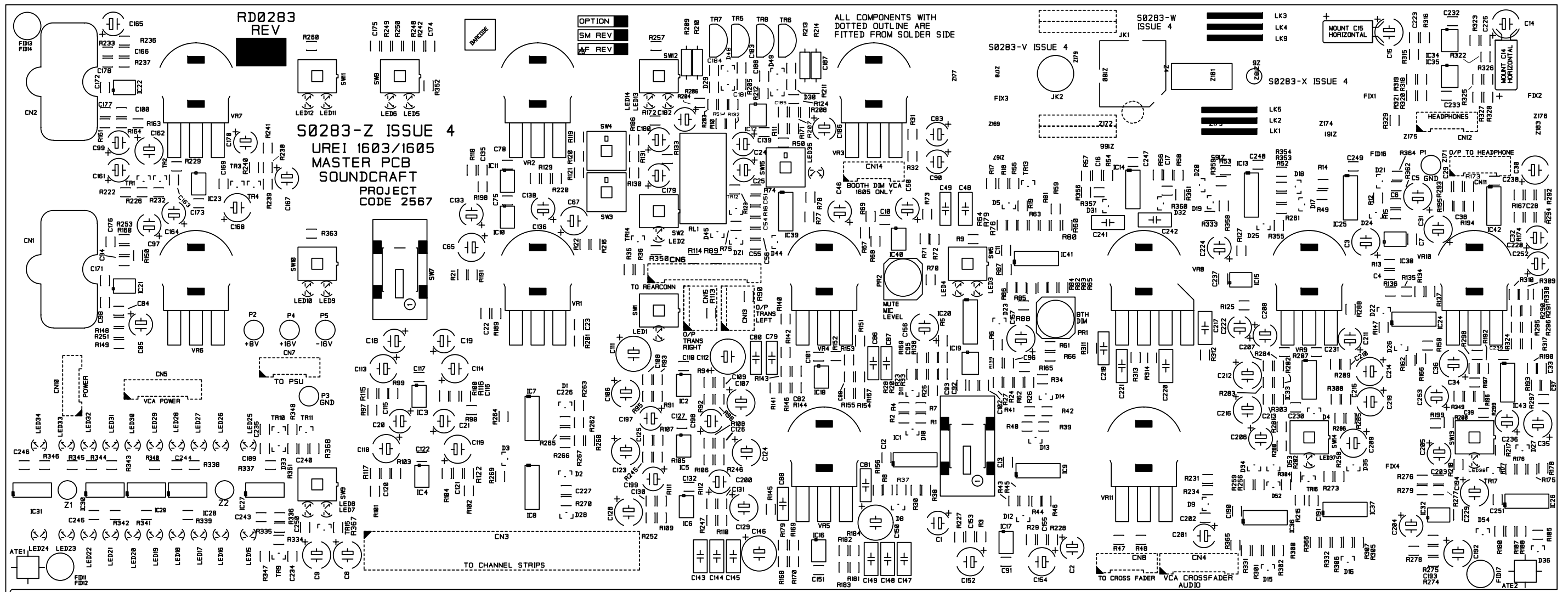
HARMAN INTERNATIONAL INDUSTRIES LTD. OWNS THE COPYRIGHT OF THIS DRAWING WHICH IS NOT TO BE COPIED, REPRODUCED OR DISCLOSED, IN PART OR WHOLE TO A THIRD PARTY WITHOUT PRIOR WRITTEN PERMISSION.

SOUNDCRAFT/BSS
HARMAN INT INDUSTRIES LTD
CRANBORNE HOUSE,
CRANBORNE ROAD,
POTTERS BAR,
HERTS. EN6 3JN.
TEL: 01707 665000
FAX: 01707 660482

NOTES

DRN.	MSW	CN No.	INITIAL	DATE	ISSUE
DATE	01-03-06	---	MSW	31-08-05	01A
PROJECT CODE		---	MSW	02-11-05	02A
		---	MSW	07-02-06	03A
		---	MSW	02-03-06	04A
		---	MSW	02-03-06	04B
		ECNH699	PST	11-04-06	04B

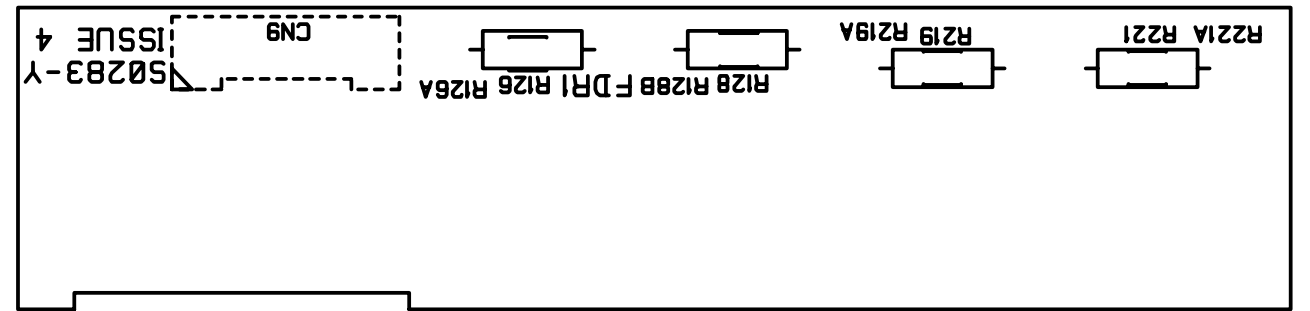
TITLE	URE1 1603/1605 MASTER & MIX PCB
	MISC
DRG NO.	E0283C-04C
	SHT. 8 OF 8



S0283-Z ISSUE 4
UREI 1603/1605
MASTER PCB
SOUNDCRAFT
PROJECT
CODE 2567

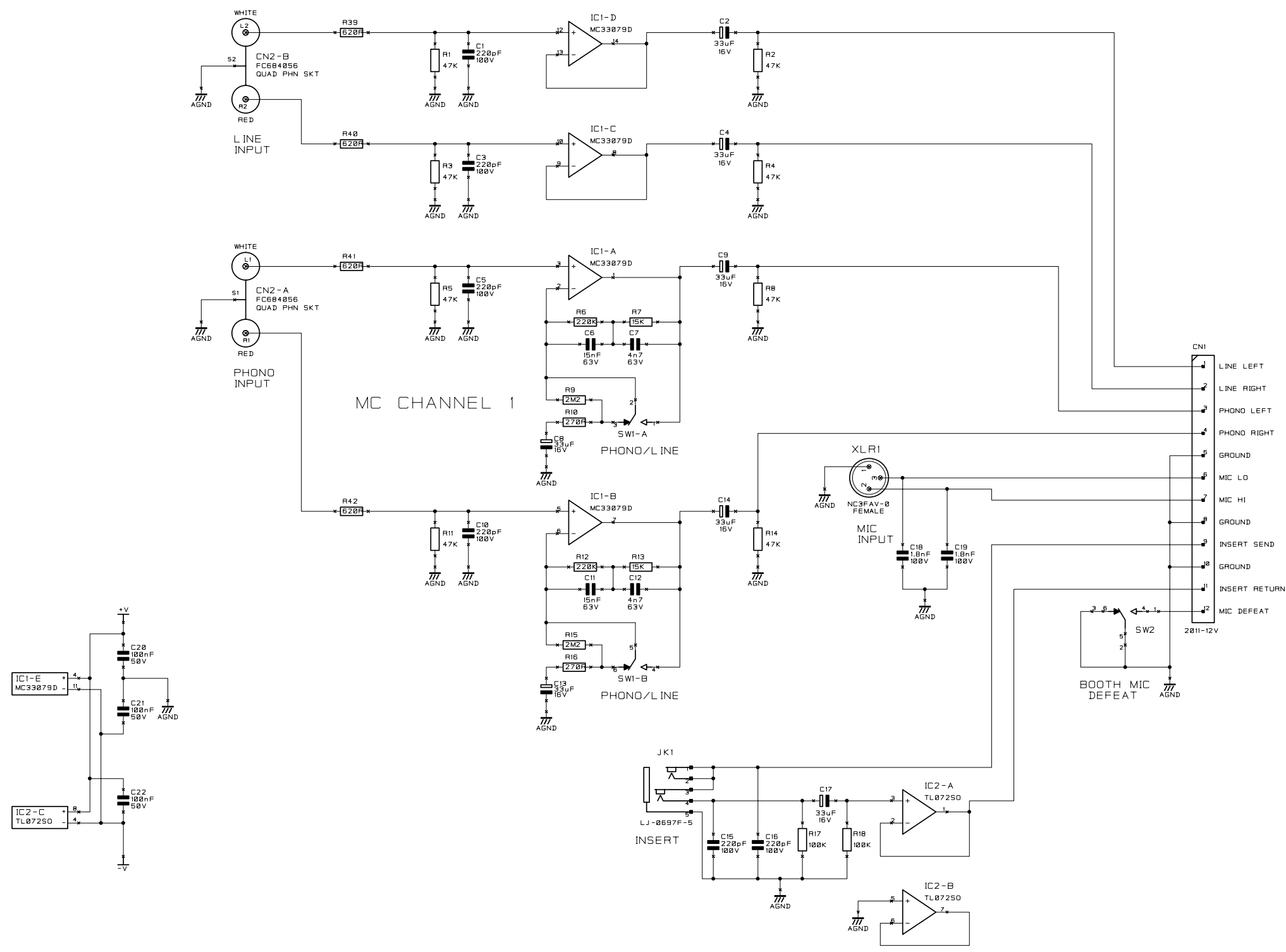
ALL COMPONENTS WITH
 DOTTED OUTLINE ARE
 FITTED FROM SOLDER SIDE

UREI 1603/1605
MASTER PCB
S0283-04



DRG NO.
E0284A-04A

CHANNEL 1 INPUTS



HARMAN INTERNATIONAL INDUSTRIES LTD. OWNS THE COPYRIGHT OF THIS DRAWING WHICH IS NOT TO BE COPIED, REPRODUCED OR DISCLOSED, IN PART OR WHOLE TO A THIRD PARTY WITHOUT PRIOR WRITTEN PERMISSION.

SOUNDCRAFT/BSS
HARMAN INT. INDUSTRIES LTD.
CRANBORNE HOUSE,
CRANBORNE ROAD,
POTTERS BAR,
HERTS. EN6 3JN.
TEL: 01707 665000
FAX: 01707 660482

NOTES:

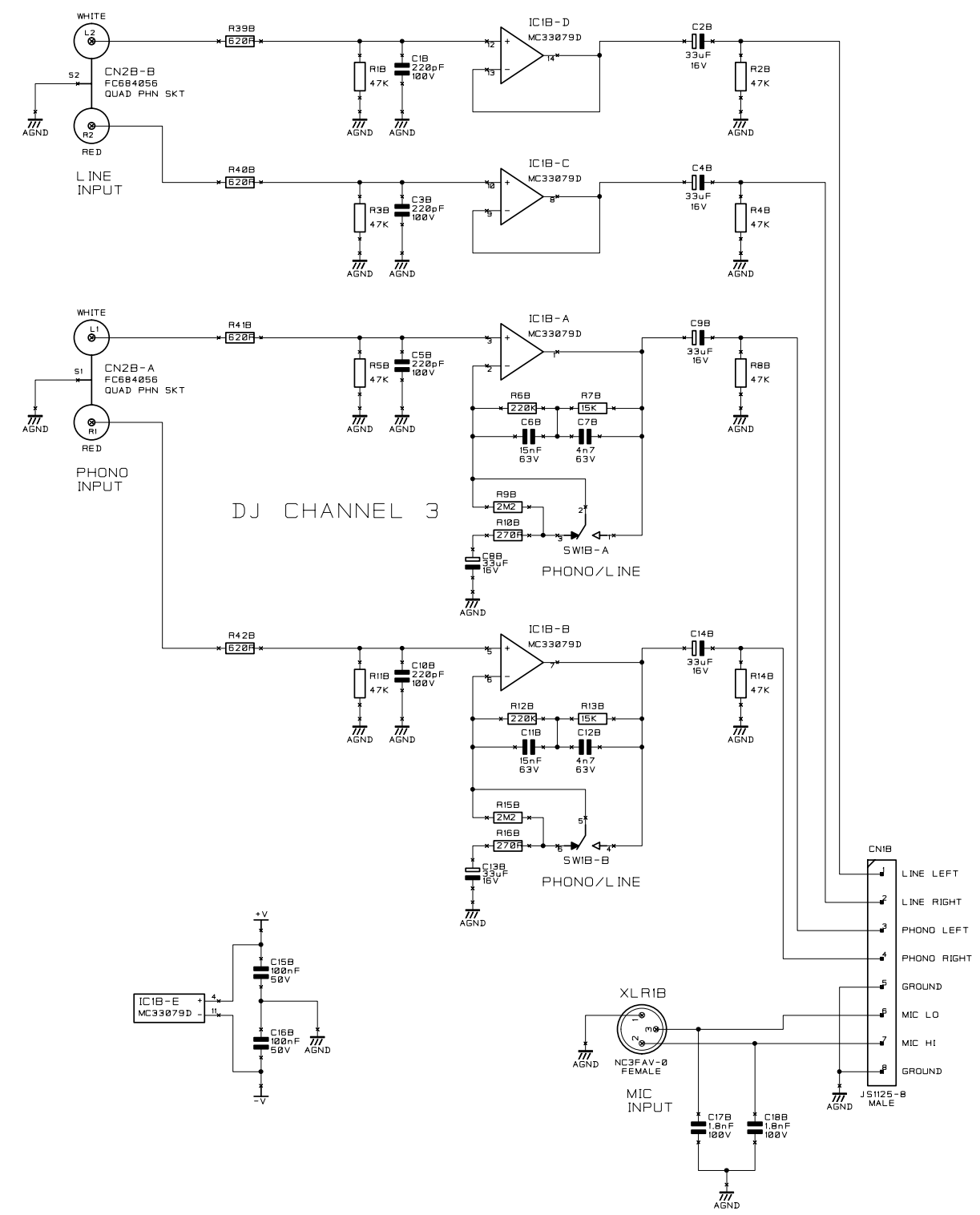
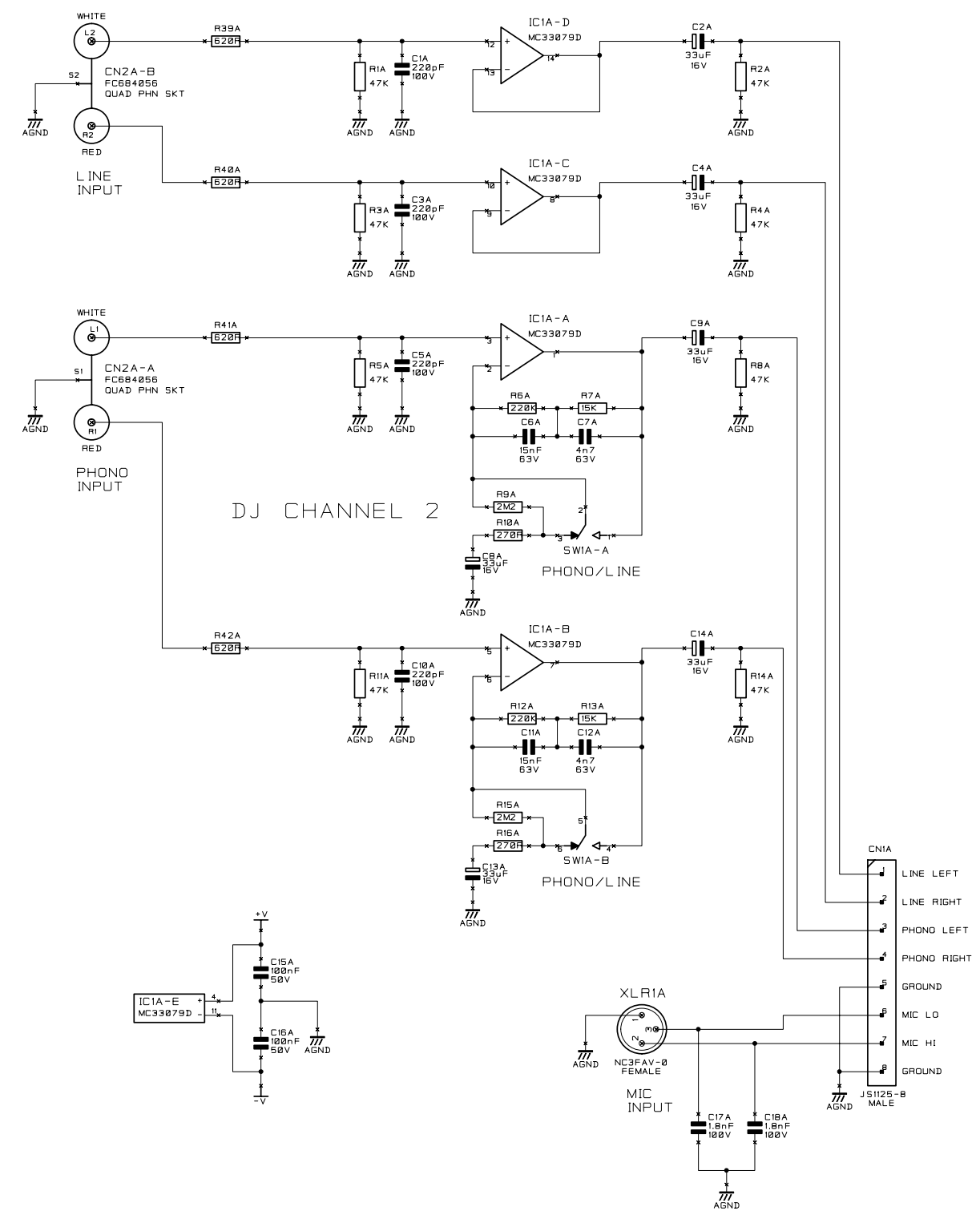
DRN. MSW
DATE 07-12-05
PROJECT CODE

CN No.	INITIAL	DATE	ISSUE	TITLE
	MSW	17-08-05	01A	PROJECT NAME URE1 1603 REARCON CHANNEL 1 INPUTS
	MSW	04-11-05	02A	
	MSW	-----	03A	
ECN700	RNJS	12-04-06	04A	

DRG NO. E0284A-04A
SHT.1 OF 4

DRG NO.
E0284A-04A

CHANNELS 2, 3 INPUTS



HARMAN INTERNATIONAL INDUSTRIES LTD. OWNS THE COPYRIGHT OF THIS DRAWING WHICH IS NOT TO BE COPIED, REPRODUCED OR DISCLOSED, IN PART OR WHOLE TO A THIRD PARTY WITHOUT PRIOR WRITTEN PERMISSION.

SOUNDCRAFT/BSS
HARMAN INT. INDUSTRIES LTD.
CRANBORNE HOUSE,
CRANBORNE ROAD,
POTTERS BAR,
HERTS. EN6 3JN.
TEL: 01707 665000
FAX: 01707 660482

NOTES:

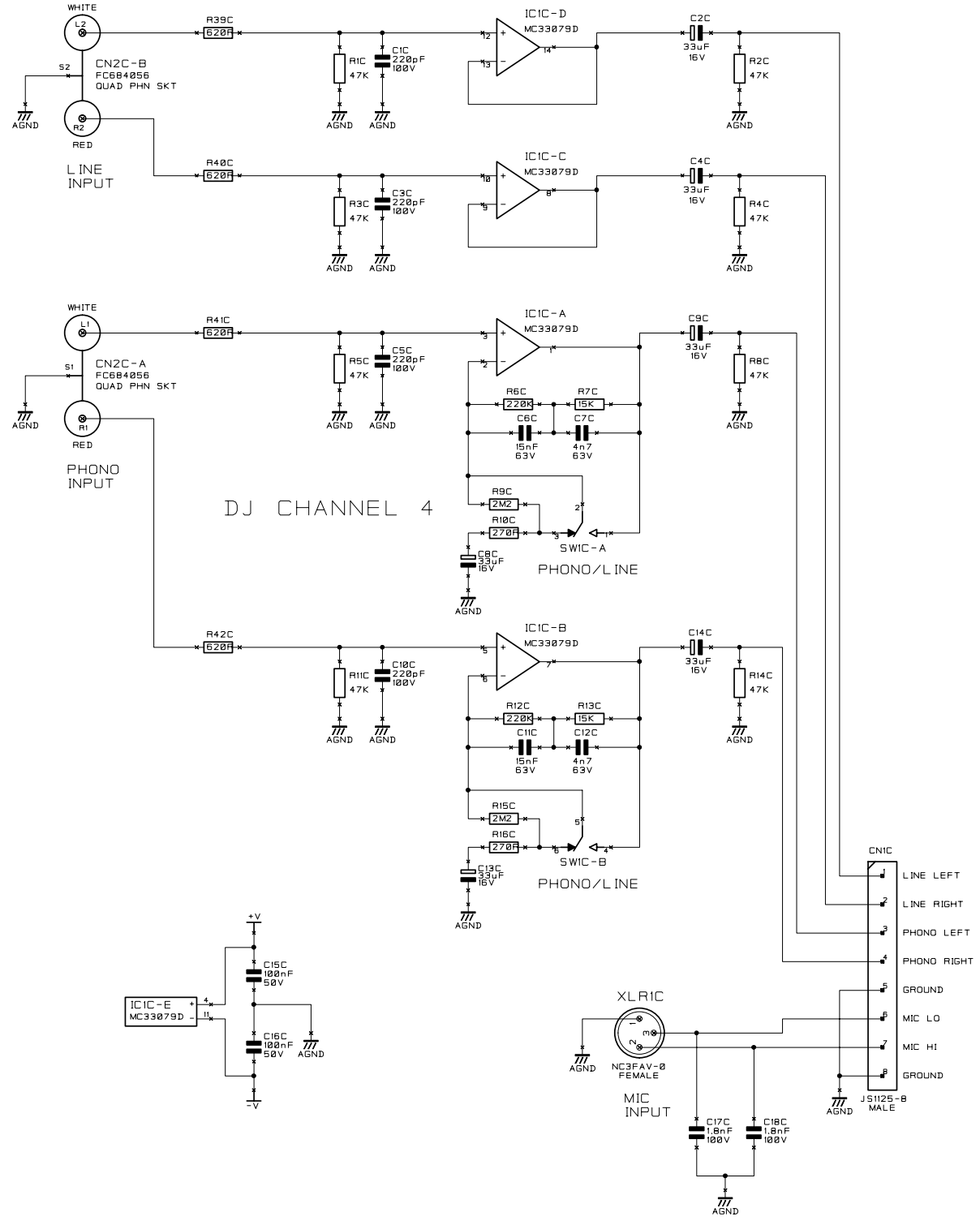
DRN.	MSW
DATE	07-12-05
PROJECT CODE	

CN No.	INITIAL	DATE	ISSUE	TITLE
	MSW	17-08-05	01A	PROJECT NAME URE1 1603 REARCON CHANNELS 2, 3 INPUTS
	MSW	04-11-05	02A	
	MSW	-----	03A	
ECN700	RNJS	12-04-06	04A	

DRG NO.	E0284A-04A	SHT 2 OF 4
---------	------------	------------

DRG NO.
E0284A-04A

CHANNEL 4 INPUTS



HARMAN INTERNATIONAL INDUSTRIES LTD. OWNS THE COPYRIGHT OF THIS DRAWING WHICH IS NOT TO BE COPIED, REPRODUCED OR DISCLOSED, IN PART OR WHOLE TO A THIRD PARTY WITHOUT PRIOR WRITTEN PERMISSION.

SOUNDCRAFT/BSS
HARMAN INT. INDUSTRIES LTD.
CRANBORNE HOUSE,
CRANBORNE ROAD,
POTTERS BAR,
HERTS. EN6 3JN.
TEL: 01707 665000
FAX: 01707 660482

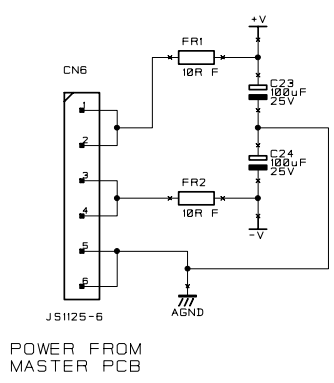
NOTES:

DRN.	MSW	CN No.	INITIAL	DATE	ISSUE	TITLE
DATE	07-12-05	ECN700	MSW	17-08-05	01A	PROJECT NAME
PROJECT CODE			MSW	04-11-05	02A	URE1 1603 REARCON
			MSW	-----	03A	CHANNEL 4 INPUTS
			RNJS	12-04-06	04A	DRG NO.
						E0284A-04A

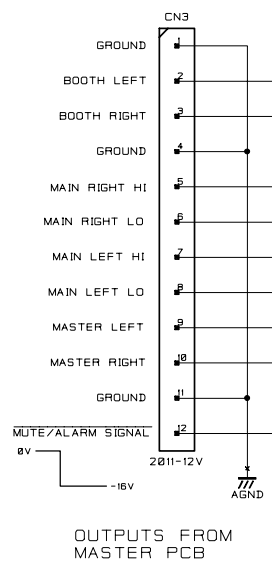
DRG NO. E0284A-04A SHT. 3 OF 4

DRG NO.
E0284A-04A

POWER AND OUTPUTS

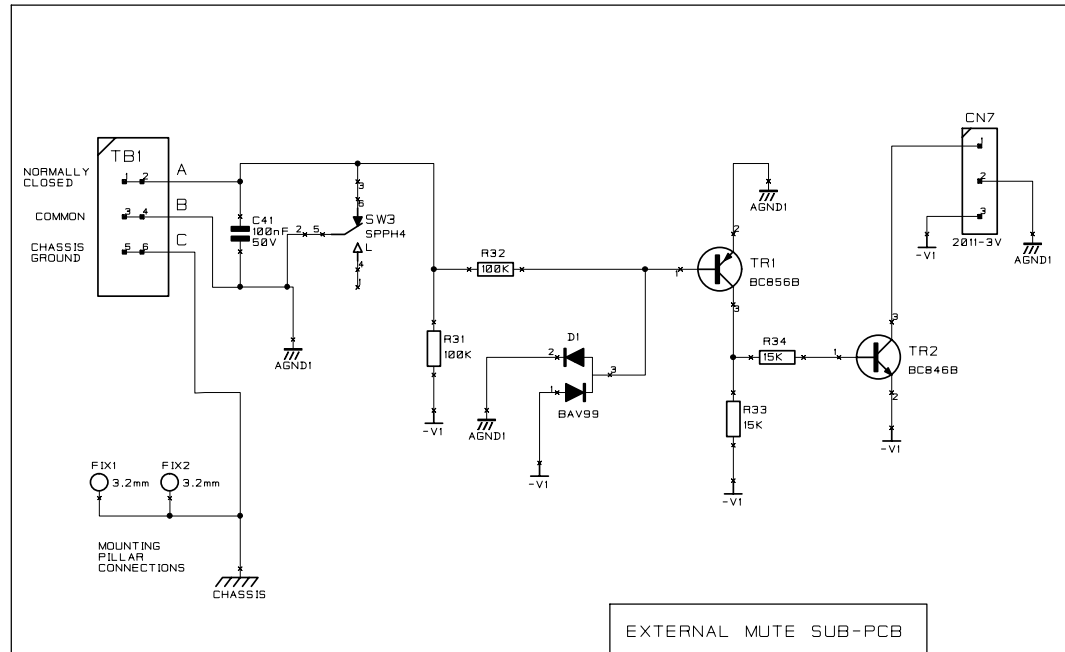


POWER FROM MASTER PCB

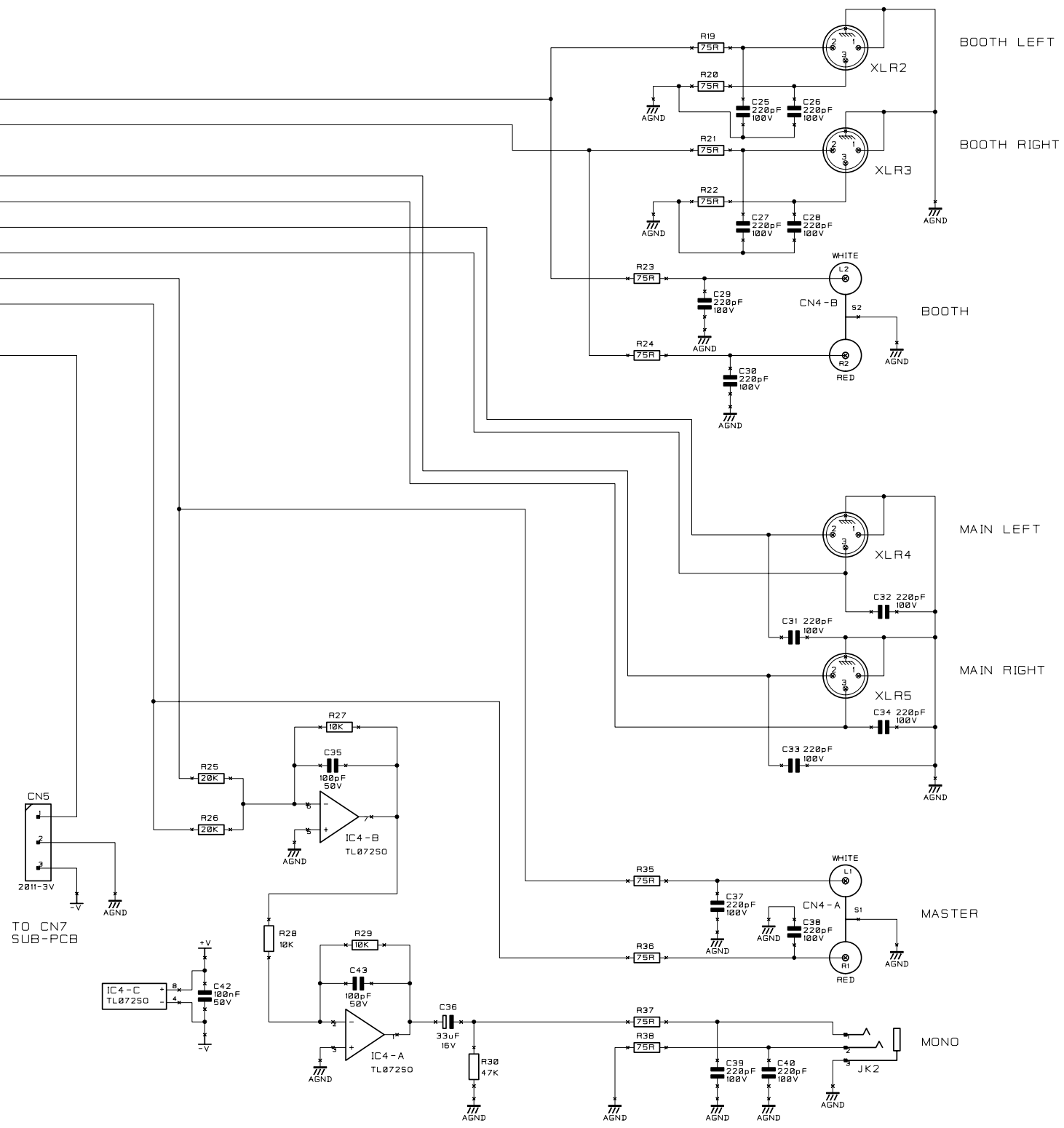


OUTPUTS FROM MASTER PCB

FOR EXTERNAL MUTE OPERATION:
DEPRESS SW3 (SHOWN IN NON-OPERATIONAL MODE)
APPLY A NORMALLY CLOSED CONNECTION ACROSS TERMINALS A & B TO PASS AUDIO
BREAK/OPEN THIS CONNECTION TO MUTE CONSOLE



EXTERNAL MUTE SUB-PCB



HARMAN INTERNATIONAL INDUSTRIES LTD. OWNS THE COPYRIGHT OF THIS DRAWING WHICH IS NOT TO BE COPIED, REPRODUCED OR DISCLOSED, IN PART OR WHOLE TO A THIRD PARTY WITHOUT PRIOR WRITTEN PERMISSION.

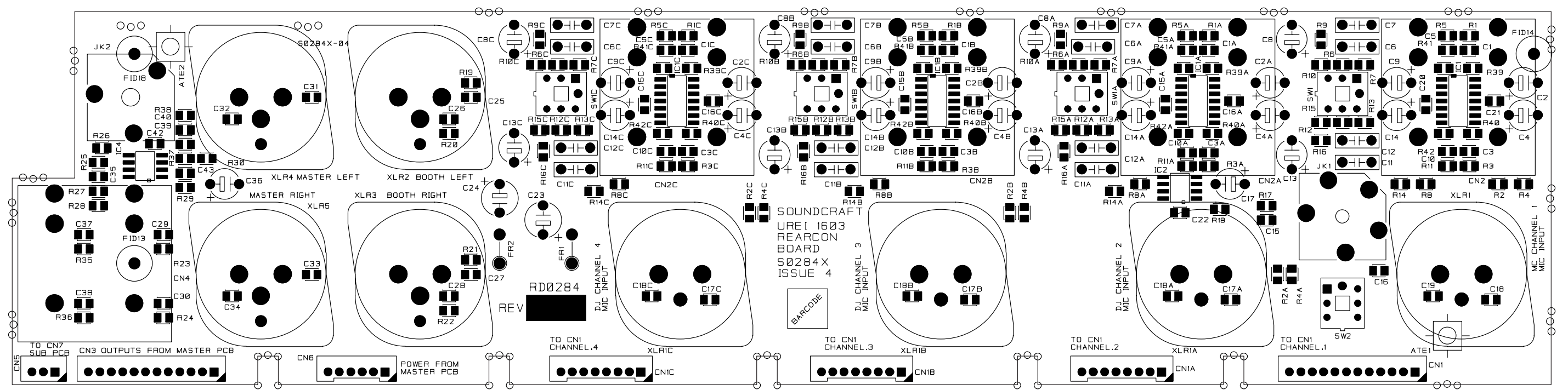
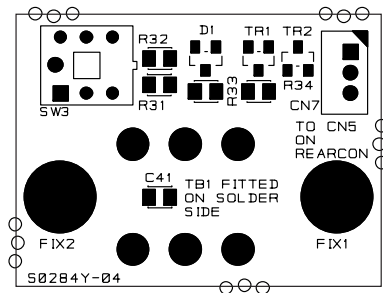
SOUNDCRAFT/BSS
HARMAN INT. INDUSTRIES LTD.
CRANBORNE HOUSE,
CRANBORNE ROAD,
POTTERS BAR,
HERTS. EN6 3JN.
TEL: 01707 665000
FAX: 01707 660482

NOTES:

DRN.	MSW
DATE	07-12-05
PROJECT CODE	

CN No.	INITIAL	DATE	ISSUE
	MSW	17-08-05	01A
	MSW	04-11-05	02A
	MSW	-----	03A
ECN700	RNJS	12-04-06	04A

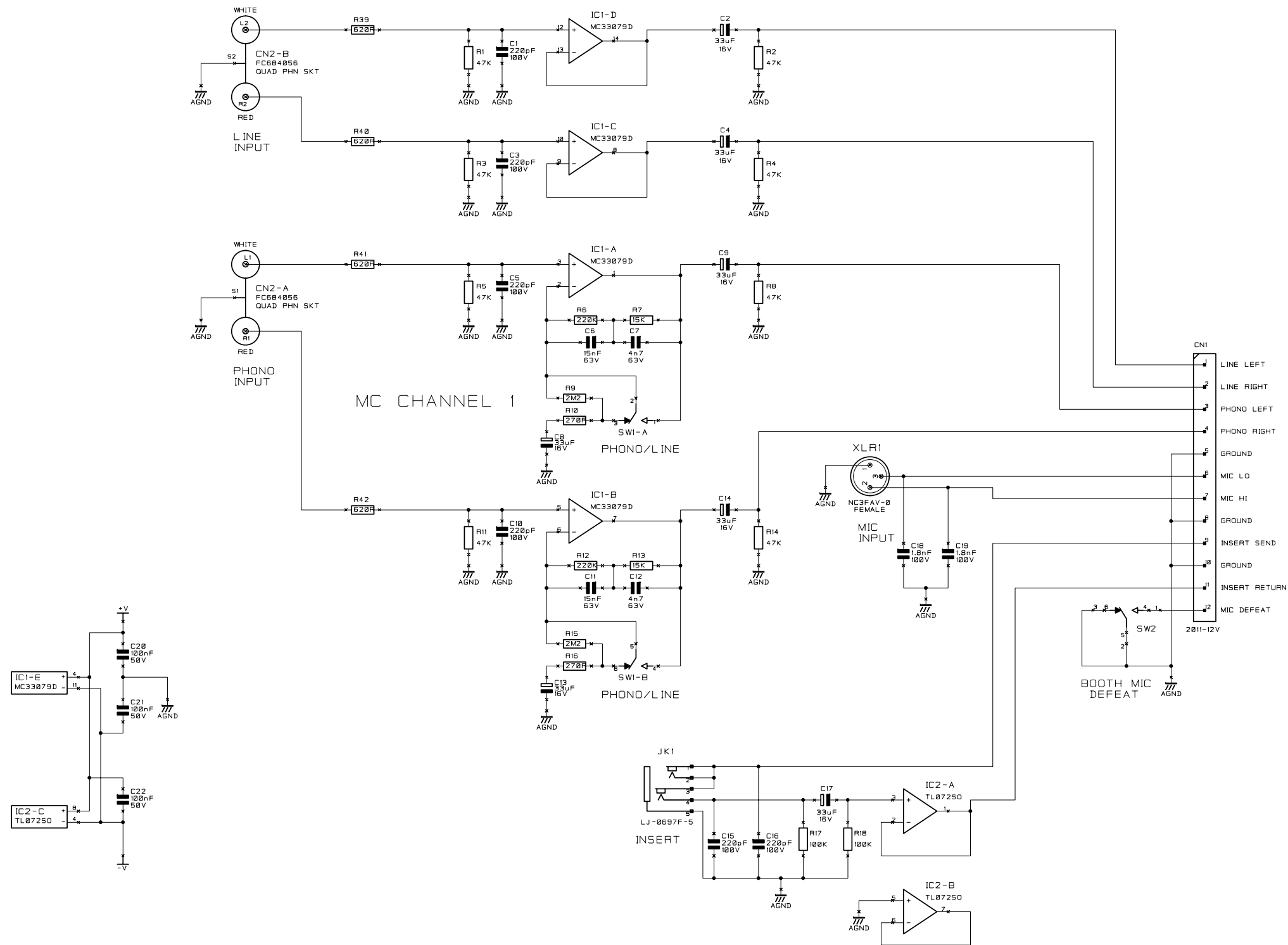
TITLE	PROJECT NAME
	URE1 1603 REARCON POWER & OUTPUTS
DRG NO.	E0284A-04A
	SHT. 4 OF 4



UR1E 1603 REARCON BOARD
S0284-04

DRG NO.
E0306A-03A

CHANNEL 1 INPUTS



HARMAN INTERNATIONAL INDUSTRIES LTD. OWNS THE COPYRIGHT OF THIS DRAWING WHICH IS NOT TO BE COPIED, REPRODUCED OR DISCLOSED, IN PART OR WHOLE TO A THIRD PARTY WITHOUT PRIOR WRITTEN PERMISSION.

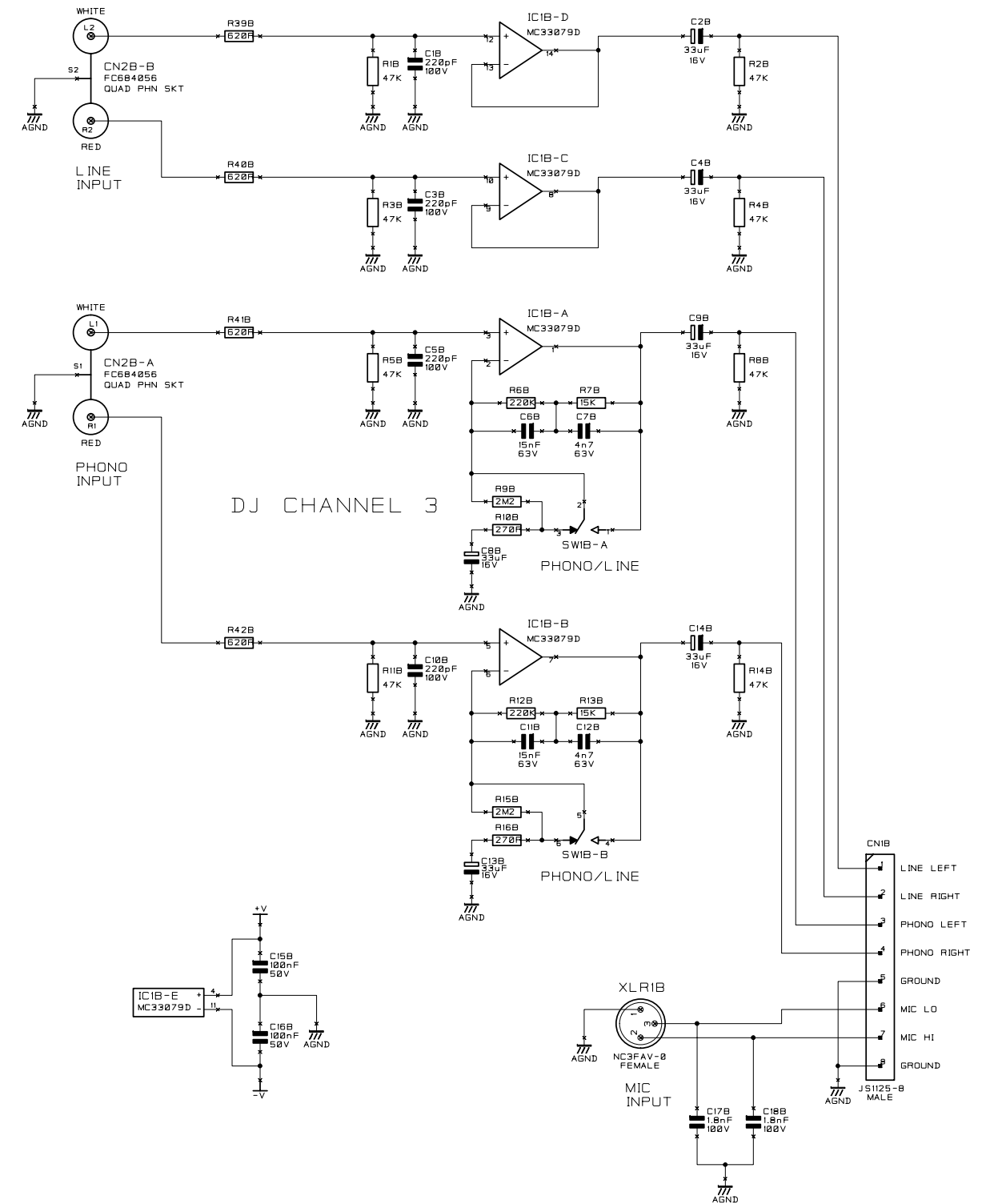
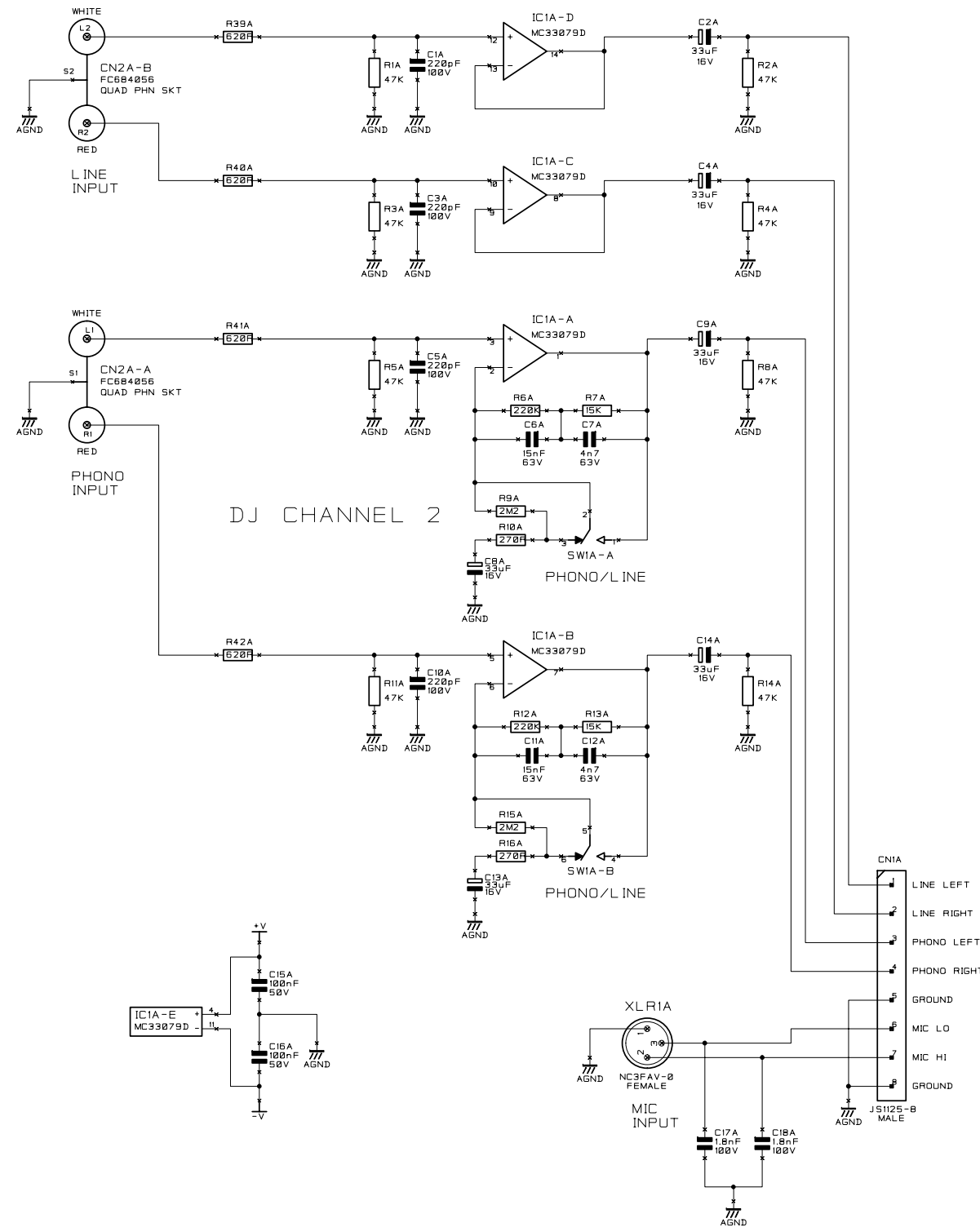
SOUNDCRAFT/BSS
HARMAN INT. INDUSTRIES LTD.
CRANBORNE HOUSE,
CRANBORNE ROAD,
POTTERS BAR,
HERTS. EN6 3JN.
TEL: 01707 665000
FAX: 01707 660482

NOTES:

DRN. MSW	CN No.	INITIAL MSW	DATE 17-08-05	ISSUE 01A	TITLE PROJECT NAME URE1 1605 REARCON CHANNEL 1 INPUTS
DATE 14-12-05		MSW	04-11-05	02A	
PROJECT CODE		MSW	15-12-05	03A	
DRG NO. E0306A-03A					SHT.1 OF 5

DRG NO.
E0306A-03A

CHANNELS 2, 3 INPUTS



HARMAN INTERNATIONAL INDUSTRIES LTD. OWNS THE COPYRIGHT OF THIS DRAWING WHICH IS NOT TO BE COPIED, REPRODUCED OR DISCLOSED, IN PART OR WHOLE TO A THIRD PARTY WITHOUT PRIOR WRITTEN PERMISSION.

SOUNDCRAFT/BSS
HARMAN INT. INDUSTRIES LTD.
CRANBORNE HOUSE,
CRANBORNE ROAD,
POTTERS BAR,
HERTS. EN6 3JN.
TEL: 01707 665000
FAX: 01707 660482

NOTES:

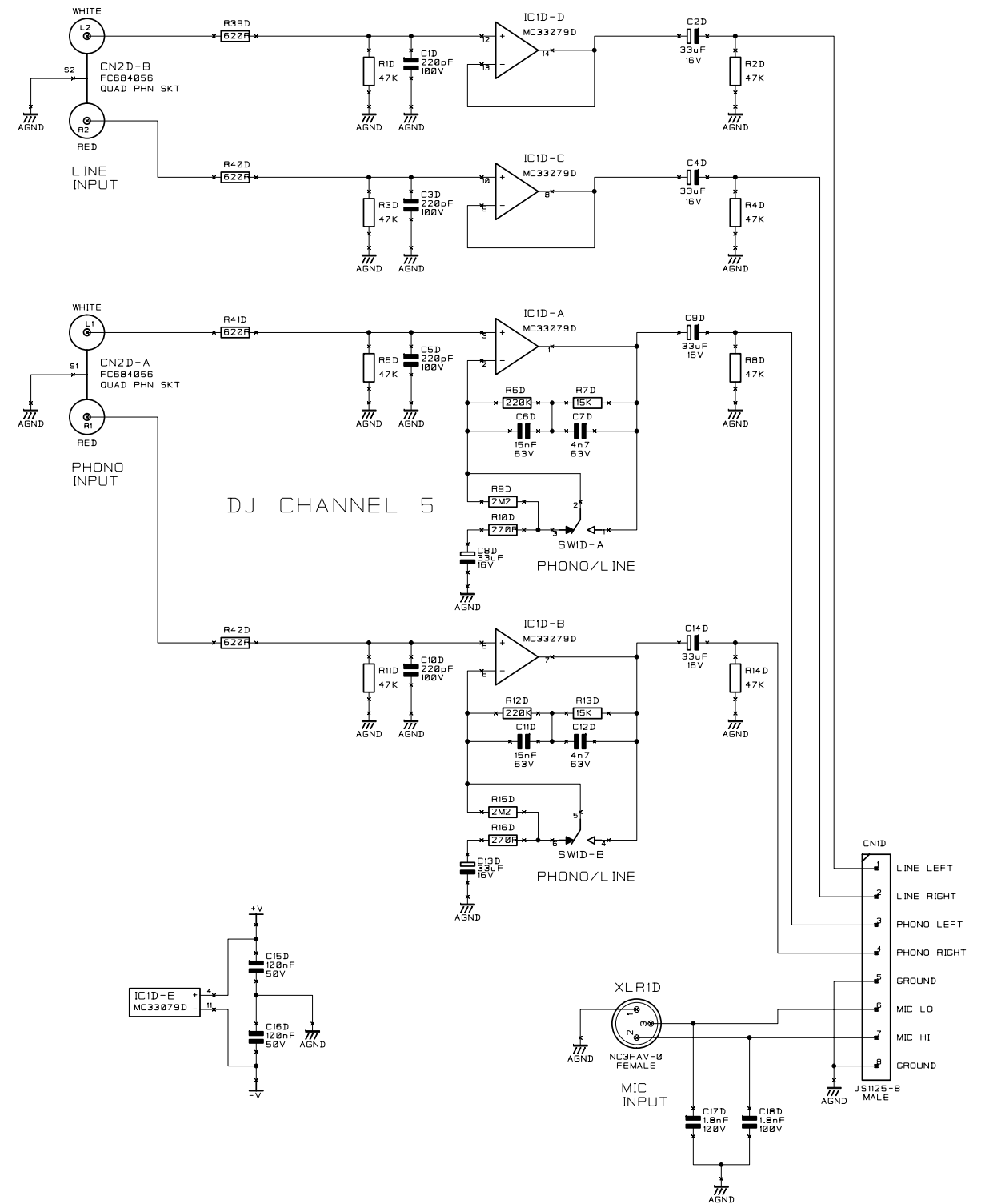
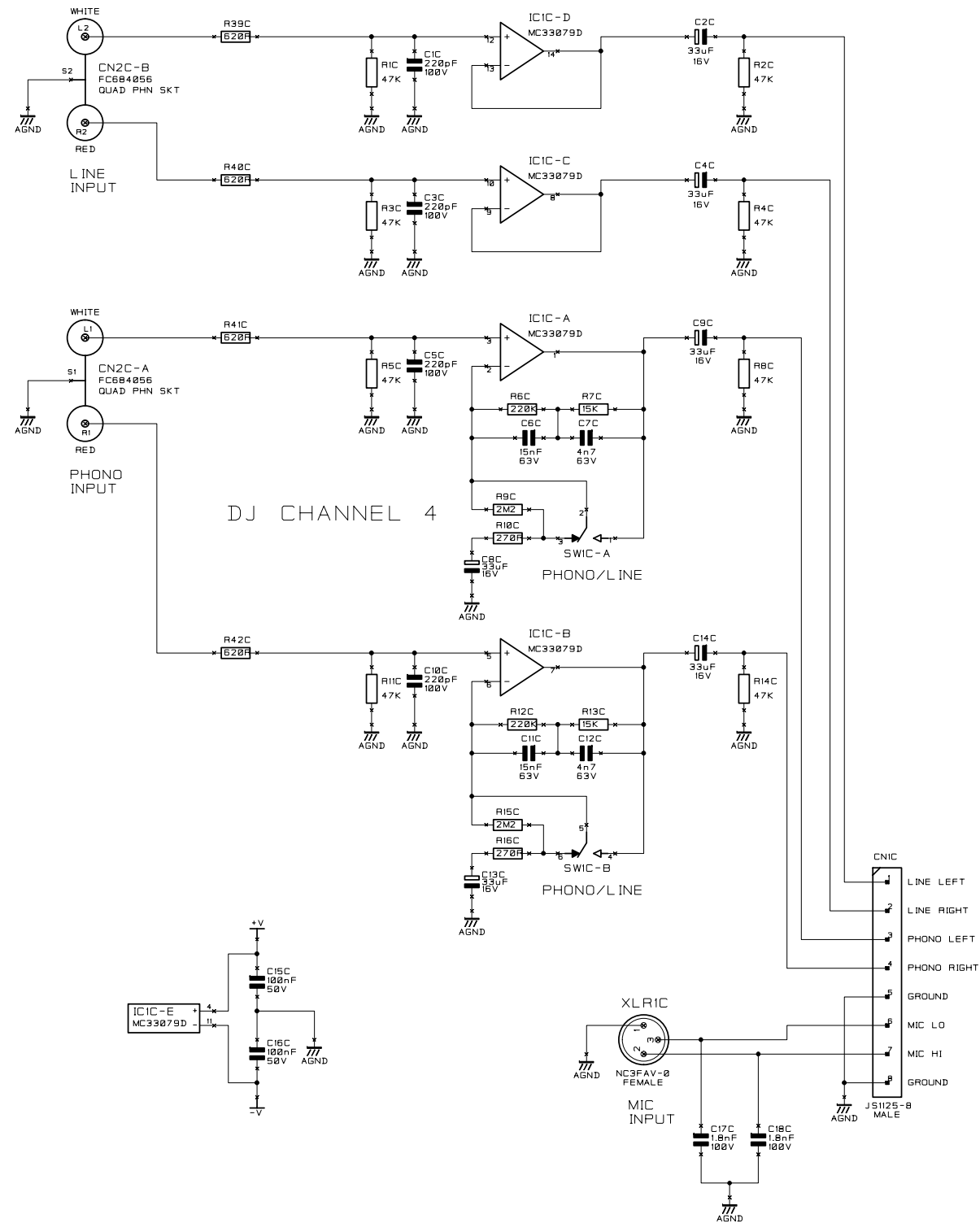
DRN.	MSW
DATE	14-12-05
PROJECT CODE	

CN No.	INITIAL	DATE	ISSUE
	MSW	17-08-05	01A
	MSW	04-11-05	02A
	MSW	15-12-05	03A

TITLE	PROJECT NAME
	URE1 1605 REARCON CHANNELS 2, 3 INPUTS
DRG NO.	E0306A-03A
	SHT. 2 OF 5

DRG NO.
E0306A-03A

CHANNELS 4, 5 INPUTS



HARMAN INTERNATIONAL INDUSTRIES LTD. OWNS THE COPYRIGHT OF THIS DRAWING WHICH IS NOT TO BE COPIED, REPRODUCED OR DISCLOSED, IN PART OR WHOLE TO A THIRD PARTY WITHOUT PRIOR WRITTEN PERMISSION.

SOUNDCRAFT/BSS
HARMAN INT. INDUSTRIES LTD.
CRANBORNE HOUSE,
CRANBORNE ROAD,
POTTERS BAR,
HERTS. EN6 3JN.
TEL: 01707 665000
FAX: 01707 660482

NOTES:

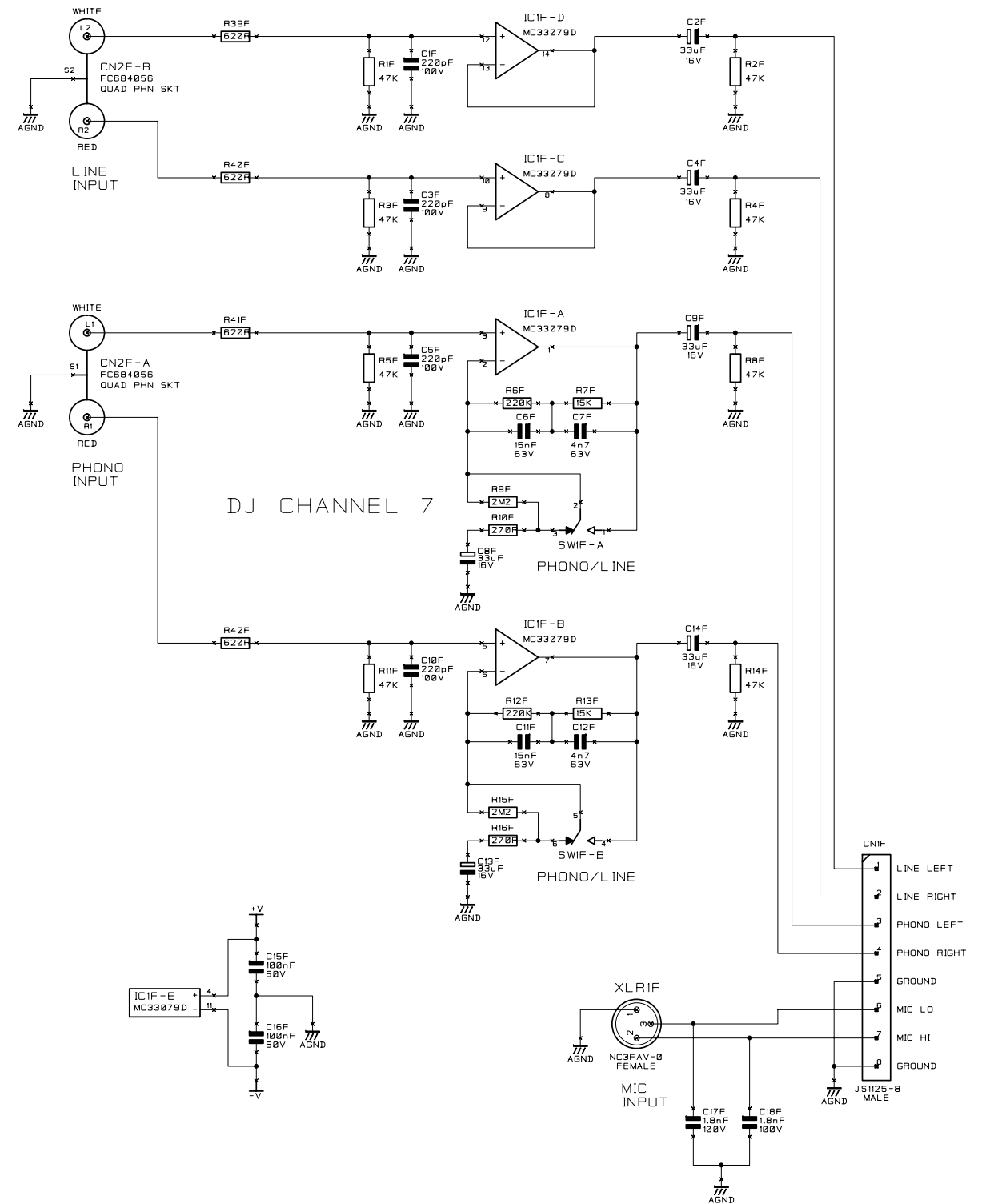
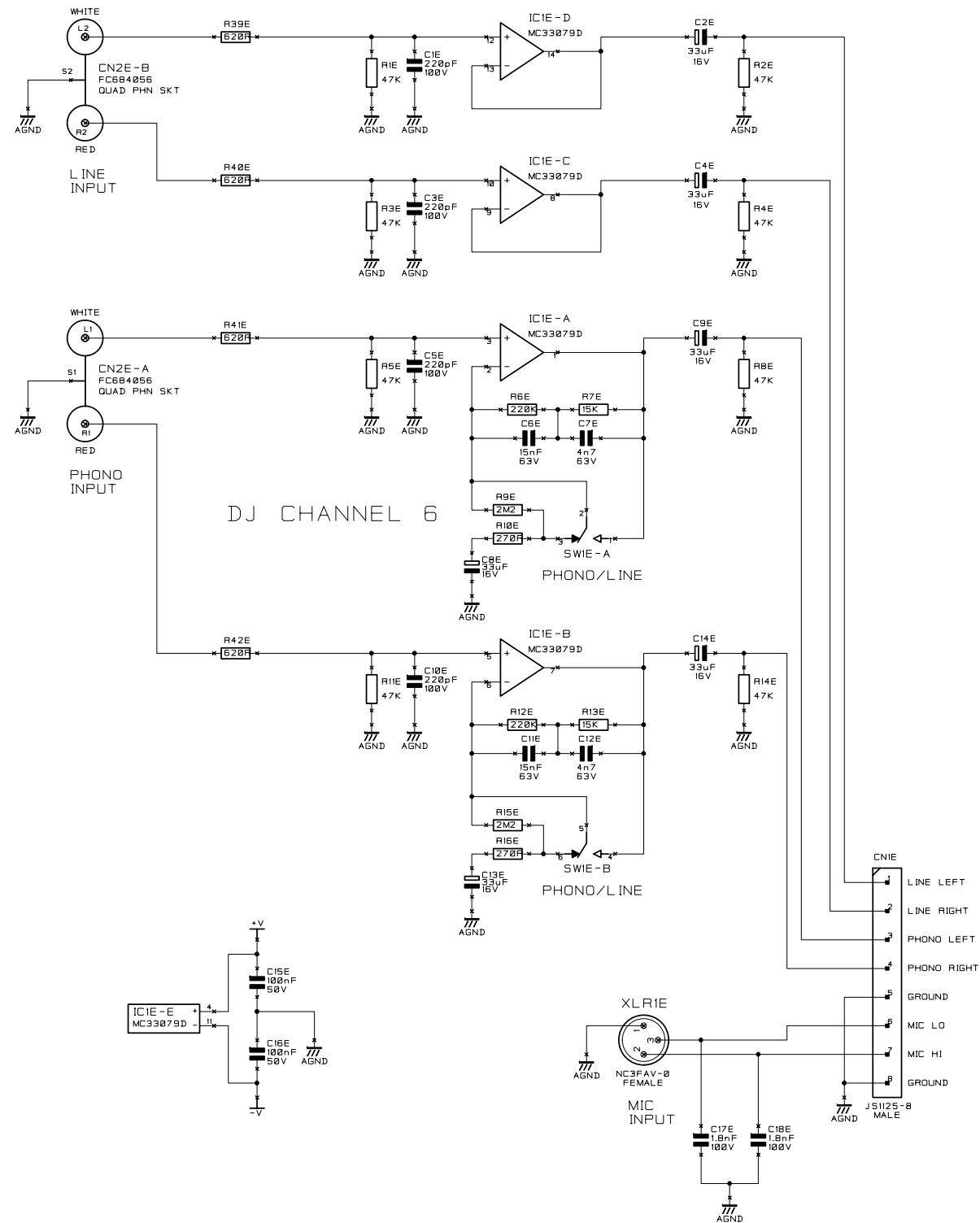
DRN. MSW
DATE 14-12-05
PROJECT CODE

CN No.	INITIAL	DATE	ISSUE	TITLE
	MSW	17-08-05	01A	PROJECT NAME URE1 1605 REARCON CHANNELS 4, 5 INPUTS
	MSW	04-11-05	02A	
	MSW	15-12-05	03A	

DRG NO. E0306A-03A
SHT. 3 OF 5

DRG NO.
E0306A-03A

CHANNELS 6, 7 INPUTS



HARMAN INTERNATIONAL INDUSTRIES LTD. OWNS THE COPYRIGHT OF THIS DRAWING WHICH IS NOT TO BE COPIED, REPRODUCED OR DISCLOSED, IN PART OR WHOLE TO A THIRD PARTY WITHOUT PRIOR WRITTEN PERMISSION.

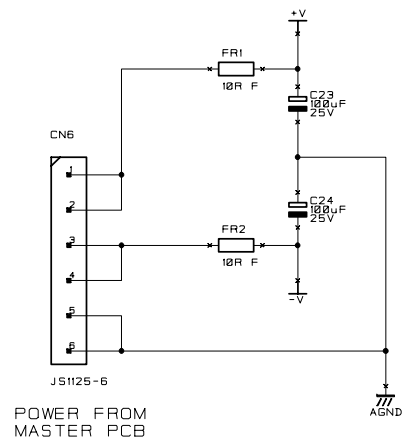
SOUNDCRAFT/BSS
HARMAN INT. INDUSTRIES LTD.
CRANBORNE HOUSE,
CRANBORNE ROAD,
POTTERS BAR,
HERTS. EN6 3JN.
TEL: 01707 665000
FAX: 01707 660482

NOTES:

DRN.	MSW	CN No.	INITIAL	DATE	ISSUE	TITLE
DATE	14-12-05		MSW	17-08-05	01A	PROJECT NAME
PROJECT CODE			MSW	04-11-05	02A	URE1 1605 REARCON
			MSW	15-12-05	03A	CHANNELS 6, 7 INPUTS
						DRG NO. E0306A-03A
						SHT.4 OF 5

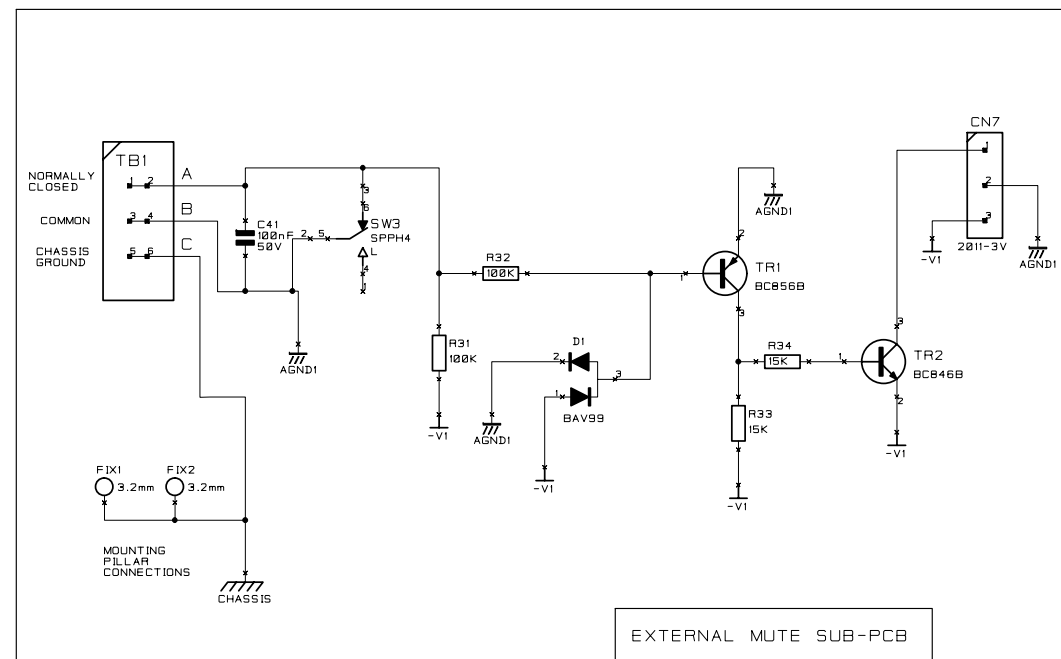
DRG NO.
E0306A-03A

POWER & OUTPUTS

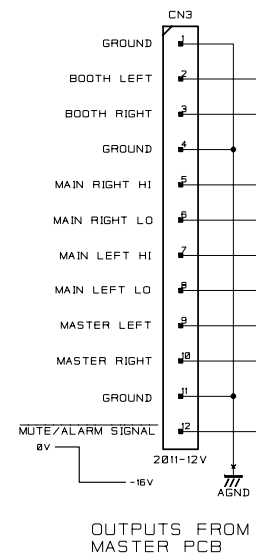


POWER FROM MASTER PCB

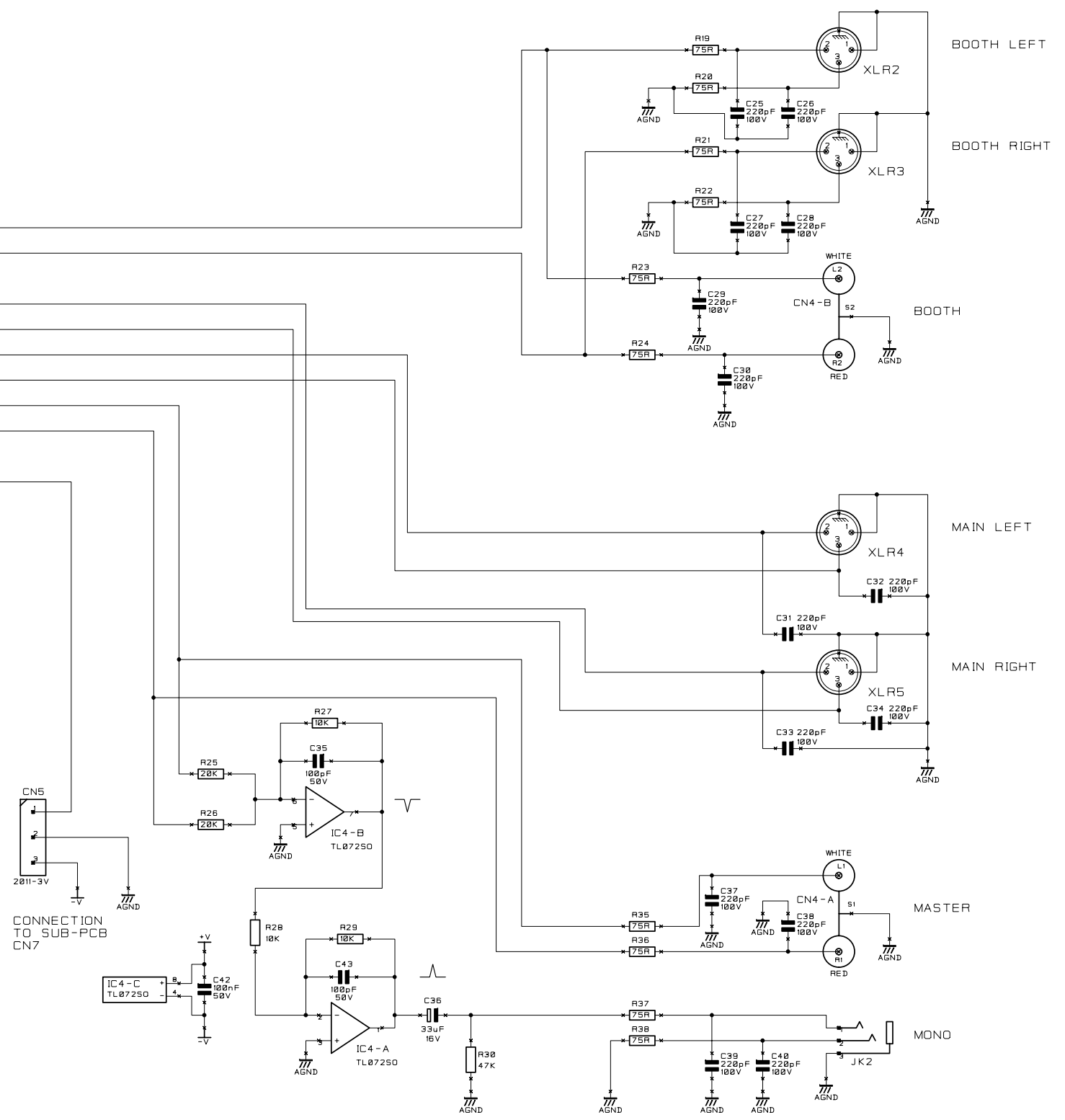
FOR EXTERNAL MUTE OPERATION:
DEPRESS SW3 (SHOWN IN NON-OPERATIONAL MODE)
APPLY A NORMALLY CLOSED CONNECTION
ACROSS TERMINALS A & B TO PASS AUDIO
BREAK/OPEN THIS CONNECTION TO MUTE CONSOLE



EXTERNAL MUTE SUB-PCB



OUTPUTS FROM MASTER PCB



CONNECTION TO SUB-PCB CN7

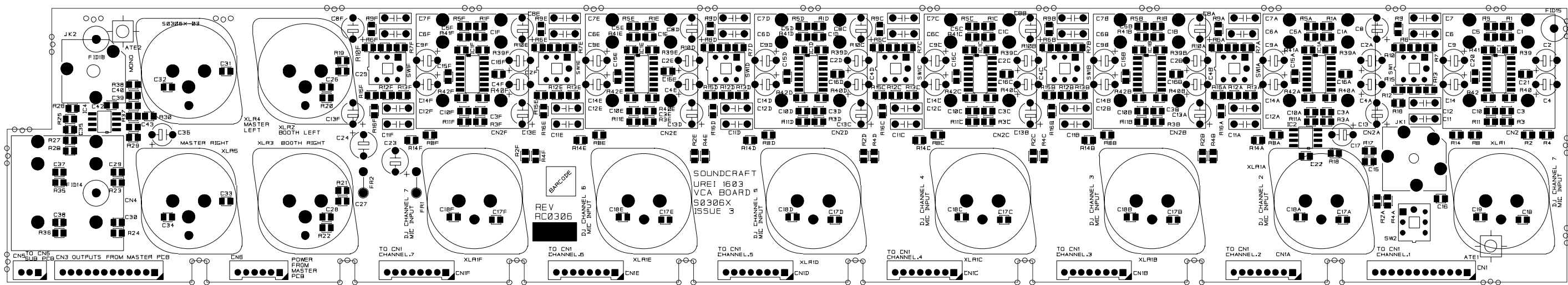
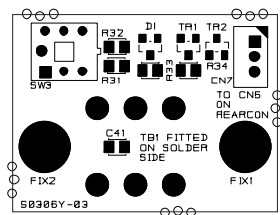
HARMAN INTERNATIONAL INDUSTRIES LTD. OWNS THE COPYRIGHT OF THIS DRAWING WHICH IS NOT TO BE COPIED, REPRODUCED OR DISCLOSED, IN PART OR WHOLE TO A THIRD PARTY WITHOUT PRIOR WRITTEN PERMISSION.

SOUNDCRAFT/BSS
HARMAN INT. INDUSTRIES LTD.
CRANBORNE HOUSE,
CRANBORNE ROAD,
POTTERS BAR,
HERTS. EN6 3JN.
TEL: 01707 665000
FAX: 01707 660482

NOTES:

DRN.	MSW	CN No.	INITIAL	DATE	ISSUE	TITLE
DATE	14-12-05		MSW	17-08-05	01A	PROJECT NAME URE1 1605 REARCON POWER & OUTPUTS
			MSW	04-11-05	02A	
			MSW	15-12-05	03A	
PROJECT CODE						DRG NO. E0306A-03A

SHT. 5 OF 5



URE1 1605 REARCON
S0306-03

DRAWING NUMBER ISSUE
E0355A-02A



HARMAN INTERNATIONAL
 INDUSTRIES LIMITED
 CRANBORNE HOUSE
 CRANBORNE ROAD
 POTTERS BAR
 HERTS
 EN6 3JN
 Tel 01707 660667
 Fax 01707 660755

TITLE: UREI 1603/5 PSU
 SHEET 1 OF 1 CIRCUIT DIAGRAM

FILENAME: E0355A-02A.SCH

DRAWN: CN

DATE: 23/12/04

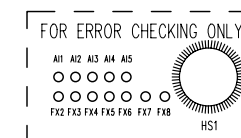
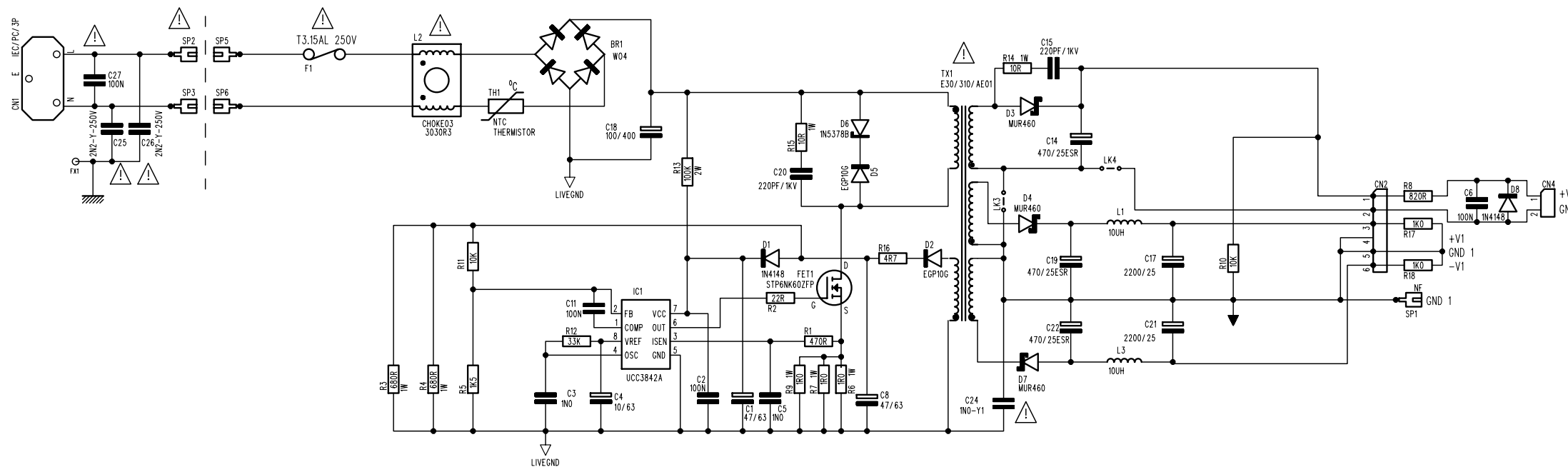
CHECKED:

MATERIAL:

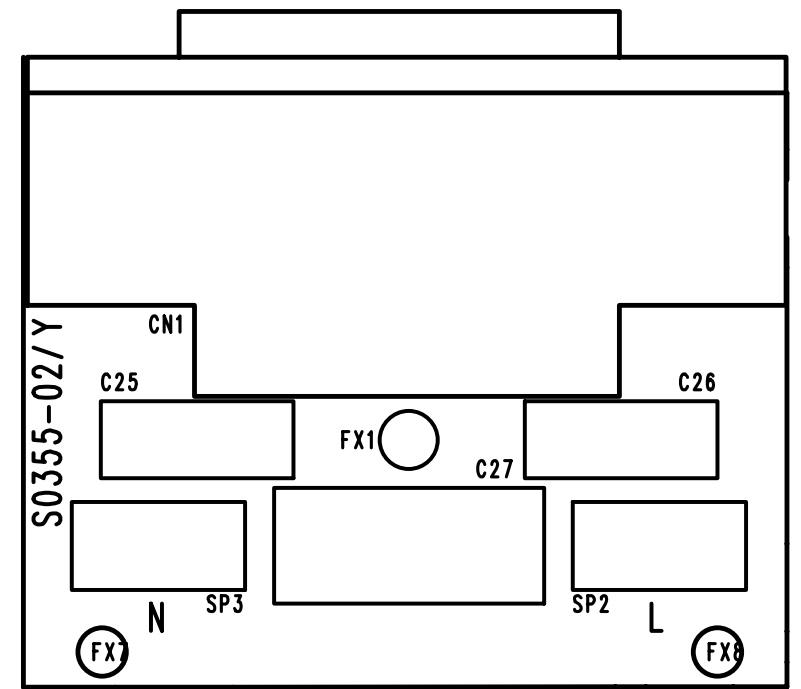
FINISH:

ISSUE COMMENTS:

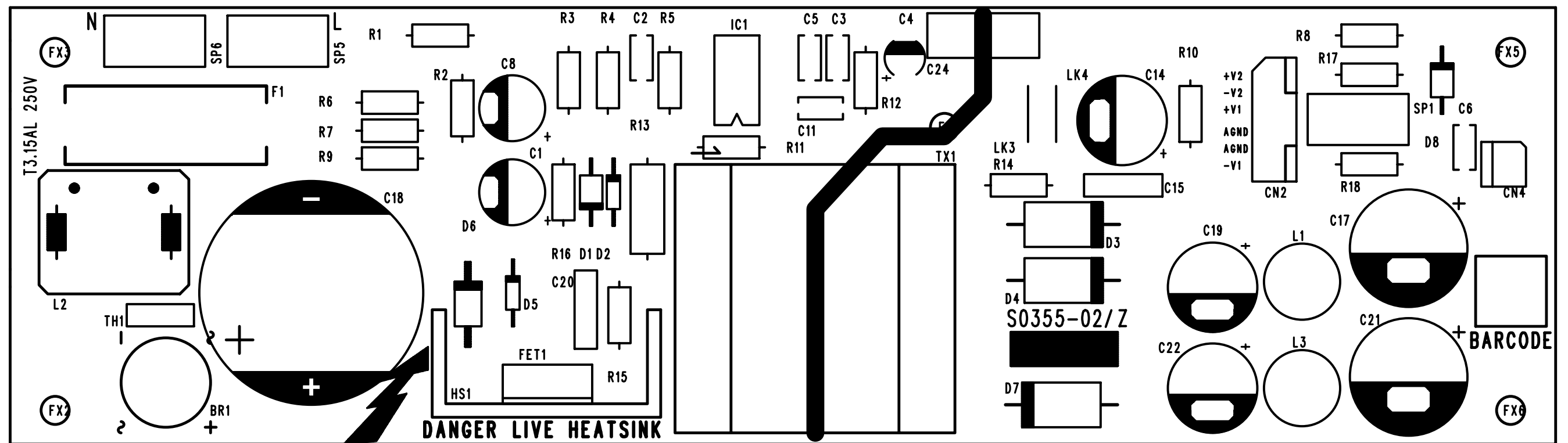
1. PROTOTYPE RELEASE 01/11/05
2. PRODUCTION RELEASE 23/02/06



THIS DRAWING IS THE COPYRIGHT OF HARMAN INTERNATIONAL INDUSTRIES Ltd.
 ALL REPRODUCTION AND COPYING THAN THAT FOR LICENCED MANUFACTURES
 OWN INTERNAL USE, OR DISCLOSURE OF PART OR WHOLE TO A THIRD PARTY
 WITHOUT PRIOR WRITTEN AUTHORISATION IS IN VIOLATION OF THE COPYRIGHT.



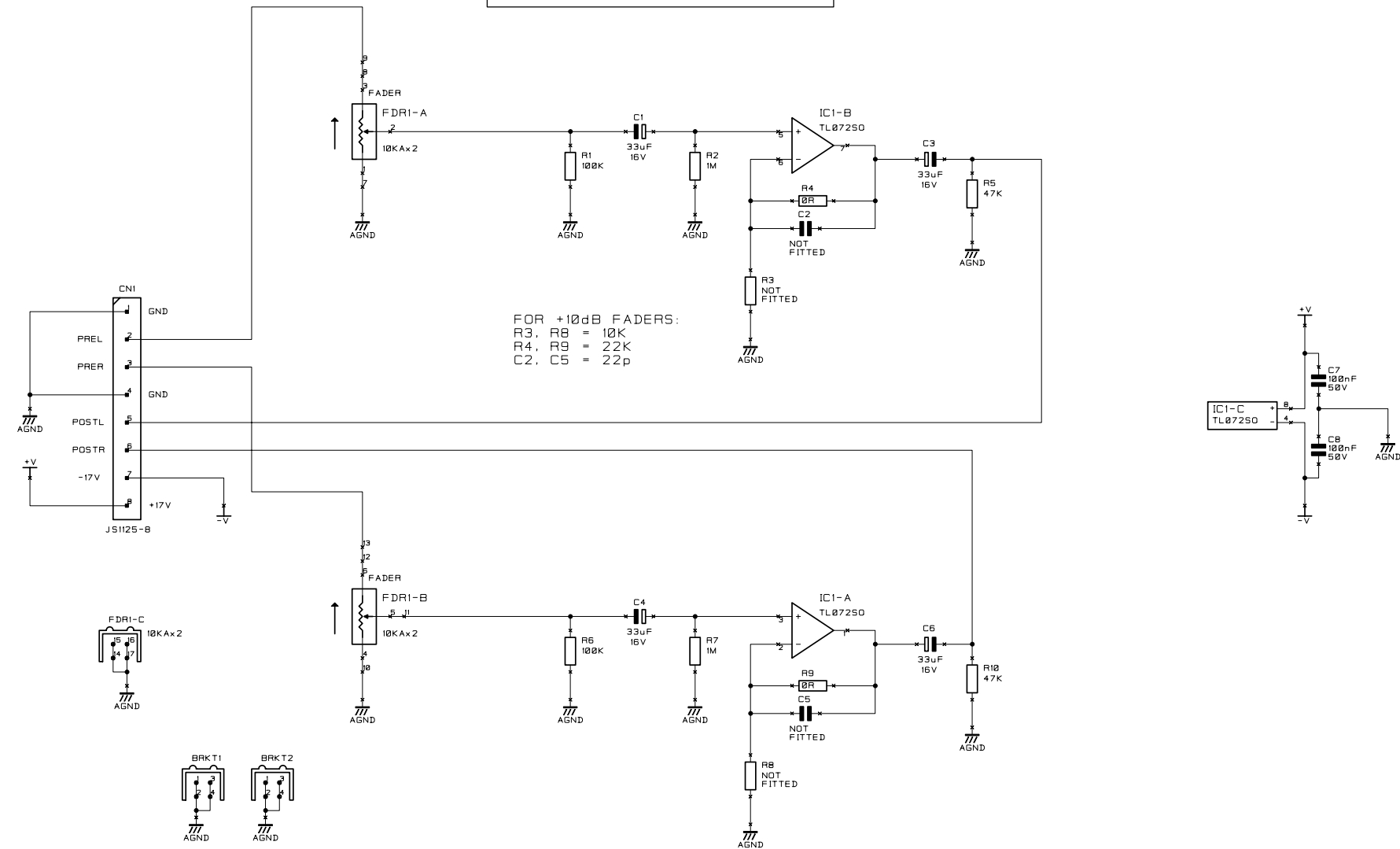
S0355-02/Y



S0355-02/Z

DRG NO.
E0357A-01A

NOTE:
FADER FITTED ON
SOLDER SIDE OF PCB



FOR +10dB FADERS:
R3, R8 = 10K
R4, R9 = 22K
C2, C5 = 22p

HARMAN INTERNATIONAL INDUSTRIES LTD. OWNS THE COPYRIGHT OF THIS DRAWING WHICH IS NOT TO BE COPIED, REPRODUCED OR DISCLOSED, IN PART OR WHOLE TO A THIRD PARTY WITHOUT PRIOR WRITTEN PERMISSION.

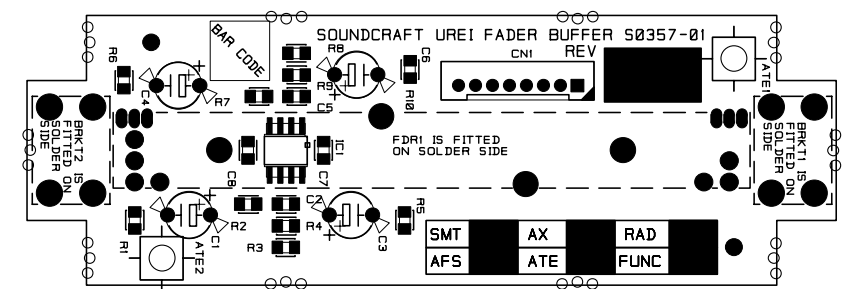
SOUNDCRAFT/BSS
HARMAN INT. INDUSTRIES LTD.
CRANBORNE HOUSE,
CRANBORNE ROAD,
POTTERS BAR,
HERTS. EN6 3JN.
TEL: 01707 665000
FAX: 01707 660482

NOTES: DUAL FOOTPRINT PCB
FIT EITHER ALPS OR
PANASONIC 60mm
10KA STEREO

DRN.	MSW
DATE	01-12-05
PROJECT CODE	

CN No.	INITIAL	DATE	ISSUE
PRE-PROD	MSW	01-12-05	01A

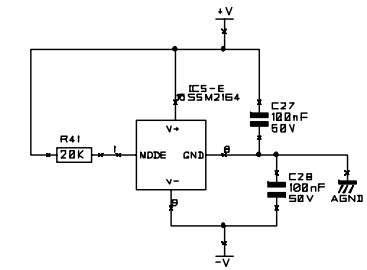
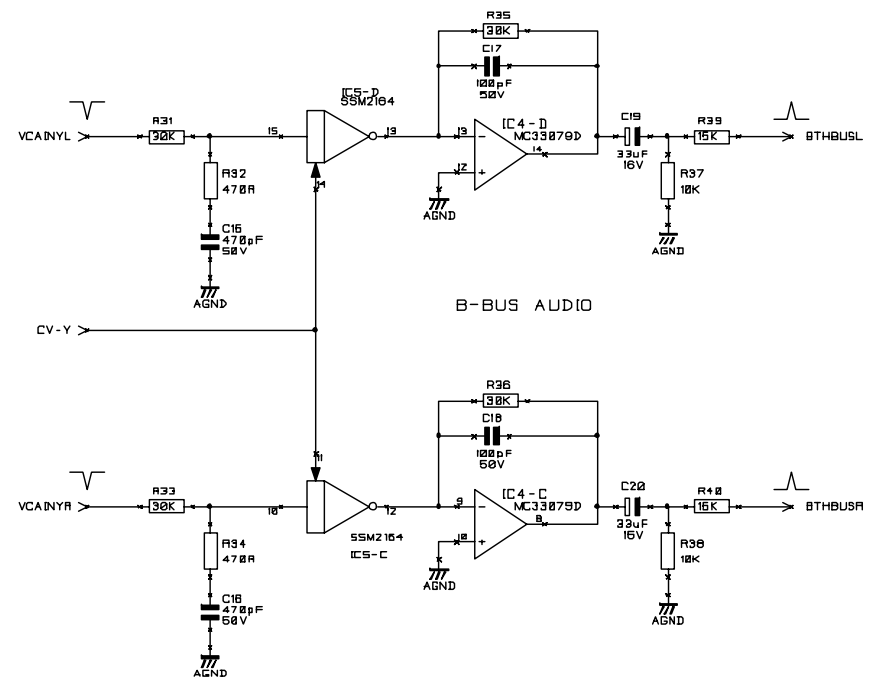
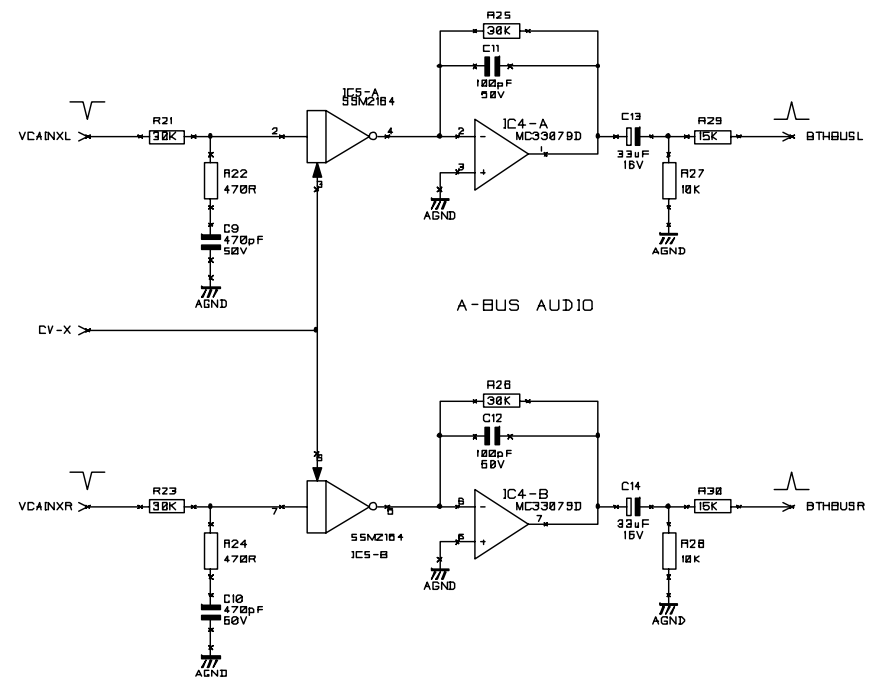
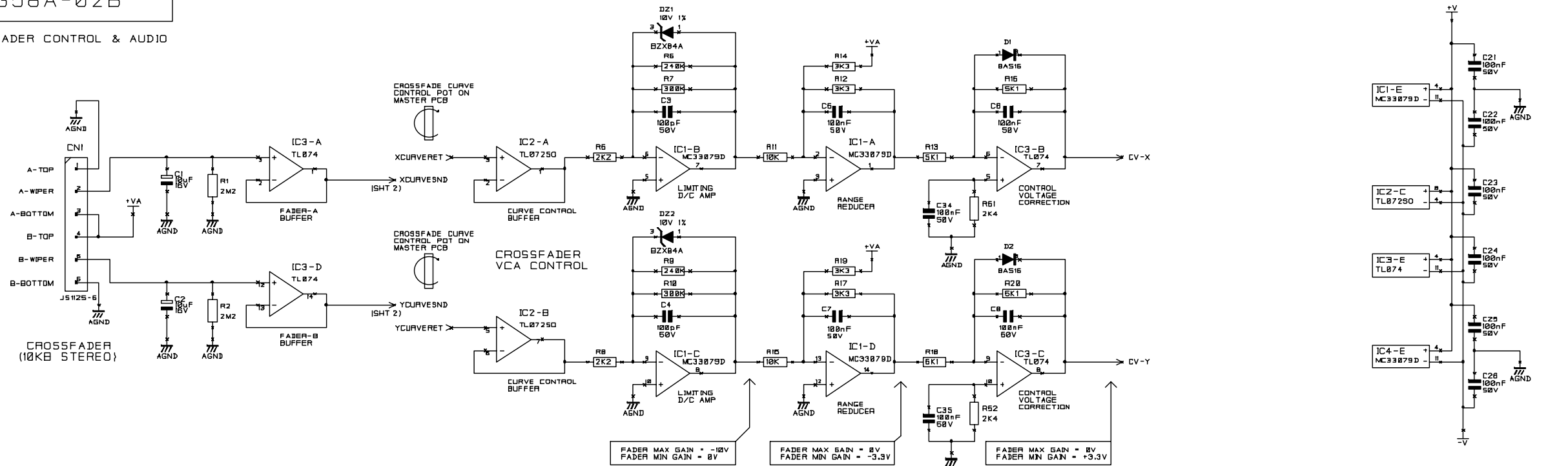
TITLE	PROJECT NAME
	URE1 1603/1605 CHANNEL FADER PCB
DRG NO.	E0357A-01A
SHT. 1 OF 1	



FADER BUFFER
S0357-01

DRG NO
E0358A-02B

CROSSFADER CONTROL & AUDIO



HARMAN INTERNATIONAL INDUSTRIES LTD. OWNS THE COPYRIGHT OF THIS DRAWING WHICH IS NOT TO BE COPIED, REPRODUCED OR DISCLOSED, IN PART OR WHOLE TO A THIRD PARTY WITHOUT PRIOR WRITTEN PERMISSION.

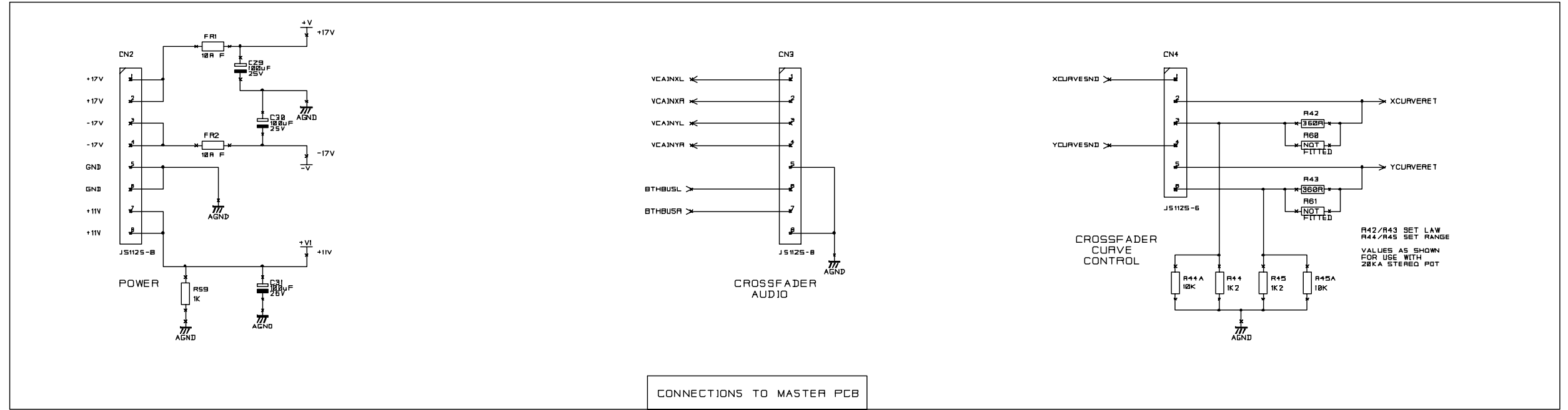
SOUNDCRAFT/BSS
HARMAN INT INDUSTRIES LTD
CRANBORNE HOUSE,
CRANBORNE ROAD,
POTTERS BAR,
HERTS. EN6 3JN.
TEL: 01707 665000
FAX: 01707 660482

NOTES SSM2164 VCA 1/2 REQUIRES +33mV/dB ATTENUATION

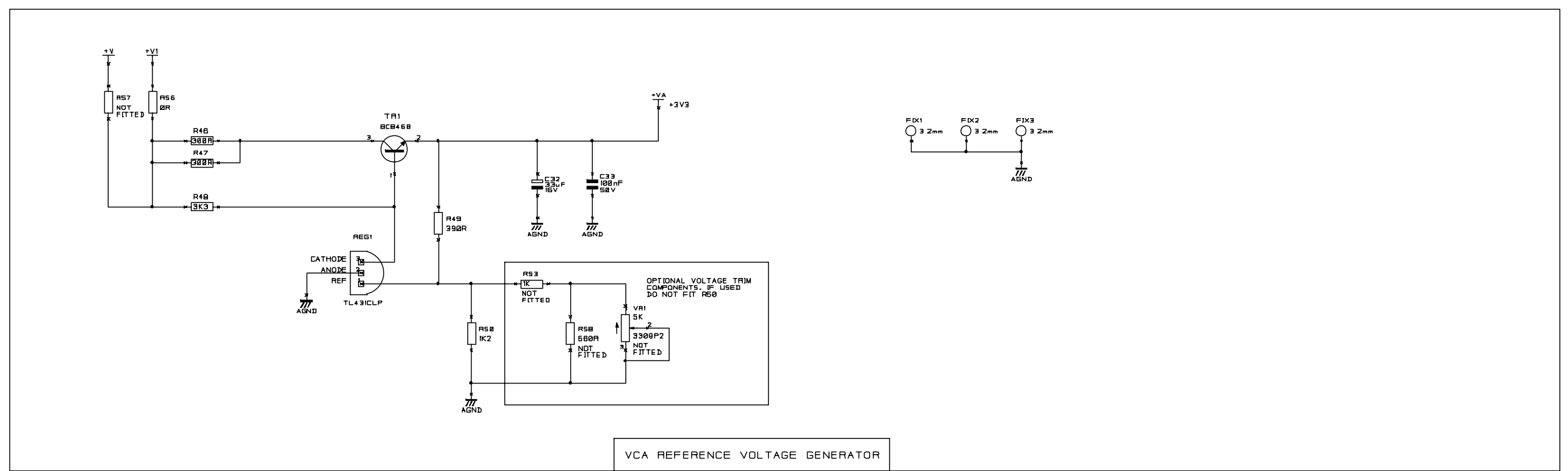
DRN.	MSW	CN No.	ECNH699	INITIAL	PST	DATE	11-04-06	ISSUE	02B	TITLE	PROJECT NAME
DATE	31-01-06									URE1 1603/1605 CROSSFADER PCB	
PROJECT CODE										DRG NO E0358A-02B	SHT 1 OF 2

DRG NO
E0358A-02B

POWER & INTERCONNECT

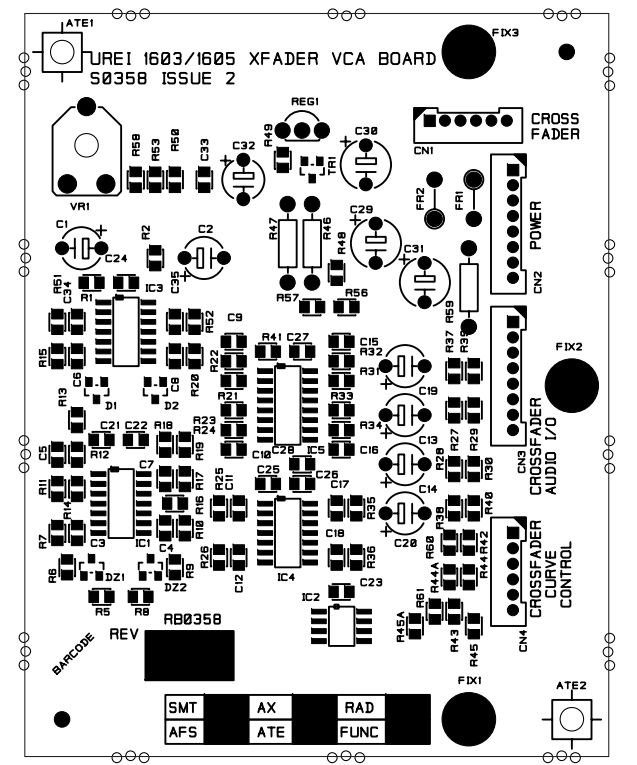


CONNECTIONS TO MASTER PCB



VCA REFERENCE VOLTAGE GENERATOR

<p>HARMAN INTERNATIONAL INDUSTRIES LTD. OWNS THE COPYRIGHT OF THIS DRAWING WHICH IS NOT TO BE COPIED, REPRODUCED OR DISCLOSED, IN PART OR WHOLE TO A THIRD PARTY WITHOUT PRIOR WRITTEN PERMISSION.</p>	<p>SOUNDCRAFT/BSS HARMAN INT INDUSTRIES LTD CRANBORNE HOUSE, CRANBORNE ROAD, POTTERS BAR, HERTS. EN6 3JN. TEL: 01707 665000 FAX: 01707 660482</p>	<p>NOTES</p>	DRN. MSW	CN No. ECNH699	INITIAL PST	DATE 11-04-06	ISSUE 02B	TITLE PROJECT NAME		
			DATE 31-01-06							
			PROJECT CODE							DRG NO E0358A-02B



XFADER VCA PCB
S0358-02