

PARTS LIST

RESISTORS AND CONTROLS

- R1—100K ohm 1/2 Watt Resistor
- R2—100K ohm 1/2 Watt Resistor
- R3—33K ohm 1/2 Watt Resistor
- R4—33K ohm 1/2 Watt Resistor
- R5—390K ohm 1/2 Watt Resistor
- R6—390K ohm 1/2 Watt Resistor
- R7—1600 ohm 1/2 Watt Resistor
- R8—100 ohm 1/2 Watt Resistor
- R9—500K ohm 1/2 Watt Resistor
- R10—500K ohm 1/2 Watt Resistor
- R11—500K ohm Tone Control
- R12—500K ohm Tone Control
- R13—500K ohm Volume Control
- R14—500K ohm Volume Control
- R15—220K ohm 1/2 Watt Resistor
- R16—220K ohm 1/2 Watt Resistor
- R17—1600 ohm 1/2 Watt Resistor
- R18—100K ohm 1/2 Watt Resistor
- R19—2.7 megohm 1/2 Watt Resistor
- R20—39K ohm 1/2 Watt Resistor
- R21—39K ohm 1/2 Watt Resistor
- R22—100K ohm 1/2 Watt Resistor
- R23—100K ohm 1/2 Watt Resistor
- R24—250 ohm 5 Watt Resistor
- R25—100K ohm 1/2 Watt Resistor
- R26—10K ohm 1 Watt Resistor
- R27—150K ohm 1/2 Watt Resistor
- R28—390K ohm 1/2 Watt Resistor
- R29—2.7 megohm 1/2 Watt Resistor
- R30—150K ohm 1/2 Watt Resistor
- R31—390K ohm 1/2 Watt Resistor
- R32—150K ohm 1/2 Watt Resistor
- R33—1.2 megohm 1/2 Watt Resistor
- R34—500K ohm Tremolo Speed Control
- R35—500K ohm Tremolo Mod. Control

CONDENSERS AND FILTERS

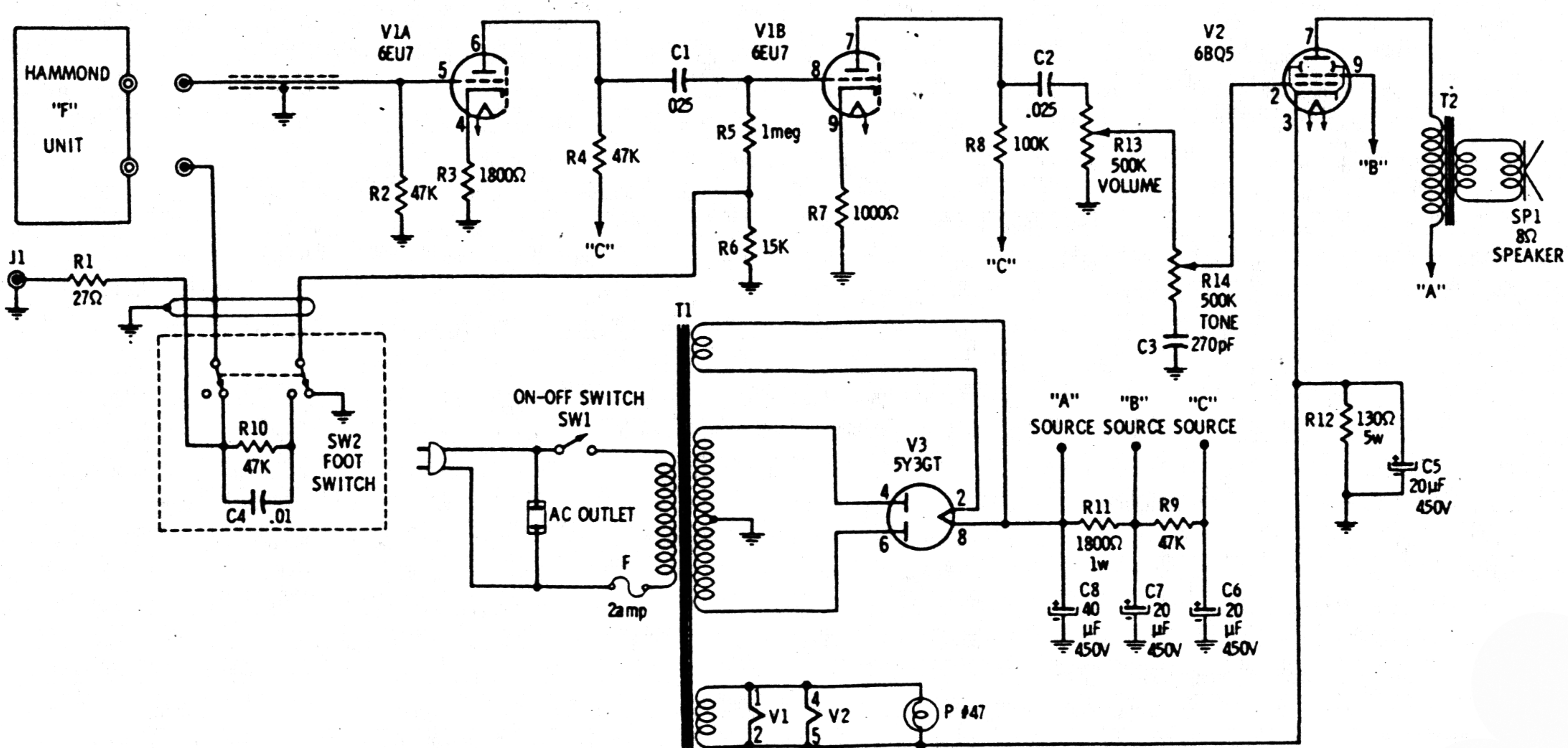
- C1—.03 Mfd. 400 V.D.C. Condenser
- C2—.03 Mfd. 400 V.D.C. Condenser
- C3—.01 Mfd. 400 V.D.C. Condenser
- C4—.01 Mfd. 400 V.D.C. Condenser
- C5—.01 Mfd. 400 V.D.C. Condenser
- C6—.01 Mfd. 400 V.D.C. Condenser
- C7—.003 Mfd. 400 V.D.C. Condenser
- C8—.02 Mfd. 400 V.D.C. Condenser
- C9—.02 Mfd. 400 V.D.C. Condenser
- C10—220 Mmf. 400 V.D.C. Condenser
- C11—25 Mfd. 25 V.D.C. Electrolytic Condenser
- C12—20 Mfd. 450 V.D.C. Electrolytic Condenser
- C13—20 Mfd. 450 V.D.C. Electrolytic Condenser
- C14—20 Mfd. 450 V.D.C. Electrolytic Condenser
- C15—.015 Mfd. 400 V.D.C. Condenser
- C16—.03 Mfd. 400 V.D.C. Condenser
- C17—.02 Mfd. 400 V.D.C. Condenser
- C18—.02 Mfd. 400 V.D.C. Condenser
- C19—.03 Mfd. 400 V.D.C. Condenser
- C20—.01 Mfd. 600 V.D.C. Condenser

- C2—.03 Mfd. 400 V.D.C. Condenser
- C3—.01 Mfd. 400 V.D.C. Condenser
- C4—.01 Mfd. 400 V.D.C. Condenser
- C5—.01 Mfd. 400 V.D.C. Condenser
- C6—.01 Mfd. 400 V.D.C. Condenser
- C7—.003 Mfd. 400 V.D.C. Condenser
- C8—.02 Mfd. 400 V.D.C. Condenser
- C9—.02 Mfd. 400 V.D.C. Condenser
- C10—220 Mmf. 400 V.D.C. Condenser
- C11—25 Mfd. 25 V.D.C. Electrolytic Condenser
- C12—20 Mfd. 450 V.D.C. Electrolytic Condenser
- C13—20 Mfd. 450 V.D.C. Electrolytic Condenser
- C14—20 Mfd. 450 V.D.C. Electrolytic Condenser
- C15—.015 Mfd. 400 V.D.C. Condenser
- C16—.03 Mfd. 400 V.D.C. Condenser
- C17—.02 Mfd. 400 V.D.C. Condenser
- C18—.02 Mfd. 400 V.D.C. Condenser
- C19—.03 Mfd. 400 V.D.C. Condenser
- C20—.01 Mfd. 600 V.D.C. Condenser

MISCELLANEOUS PARTS

- J1—Closed Circuit Jack
- J2—Closed Circuit Jack
- J3—Open Circuit Jack
- J4—Closed Circuit Jack
- J5—Open Circuit Jack for Tremolo Foot Switch
- F—3AG 2 Amp. Fuse
- P—#47 Pilot Light
- SP1—8 Ohm 12 Inch P.M. Speaker
- SW1—SPST Off-On Toggle Switch
- T1—Power Transformer
- T2—8 Ohm Output Transformer
- TUBES**
- V1—7025 or 12AX7 Pre-amplifier
- V2—7025 or 12AX7 Amplifier and Phase Inverter
- V3—6V6-GT Power Output
- V4—6V6-GT Power Output
- V5—6SH7 Var. Freq. Audio Oscillator
- V6—5Y3-GT Rectifier

Harmony Model H-306A



Harmony Model H-310