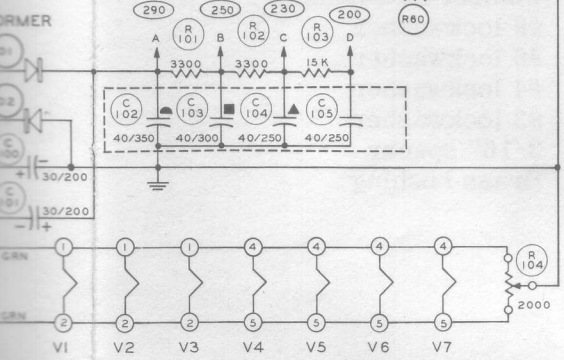


**SCHEMATIC OF THE
HEATHKIT®
STEREO AMPLIFIER
MODEL AA-32**



NOTES:
 ALL RESISTORS ARE 1/2 WATT UNLESS MARKED OTHERWISE.
 ALL RESISTOR VALUES ARE IN OHMS (K=1000, MEG=1,000,000).
 ALL CAPACITOR VALUES ARE IN μFD UNLESS MARKED OTHERWISE.
 ○ INDICATES VOLTAGE READING.
 ALL VOLTAGES ARE DC POSITIVE UNLESS MARKED OTHERWISE.
 ALL VOLTAGES ARE MEASURED FROM POINT INDICATED TO CHASSIS GROUND,
 EXCEPT AC VOLTAGES ON POWER TRANSFORMER WINDINGS.
 VOLTAGE READINGS TAKEN WITH AN 11 MEGOHM INPUT VTVM AND MAY VARY ±10%.

ARROW (→) INDICATES CLOCKWISE ROTATION OF KNOB.
 SELECTOR SWITCH VIEWED FROM THE FRONT, AT FULL COUNTERCLOCKWISE ROTATION,
 R AND C NUMBERS FOR THE RESISTORS AND CAPACITORS IN THE
 LEFT CHANNEL ARE ODD NUMBERED.
 R AND C NUMBERS FOR THE RESISTORS AND CAPACITORS IN THE
 RIGHT CHANNEL ARE EVEN NUMBERED.
 R AND C NUMBERS FOR THE RESISTORS AND CAPACITORS IN THE
 POWER SUPPLY START WITH 100.