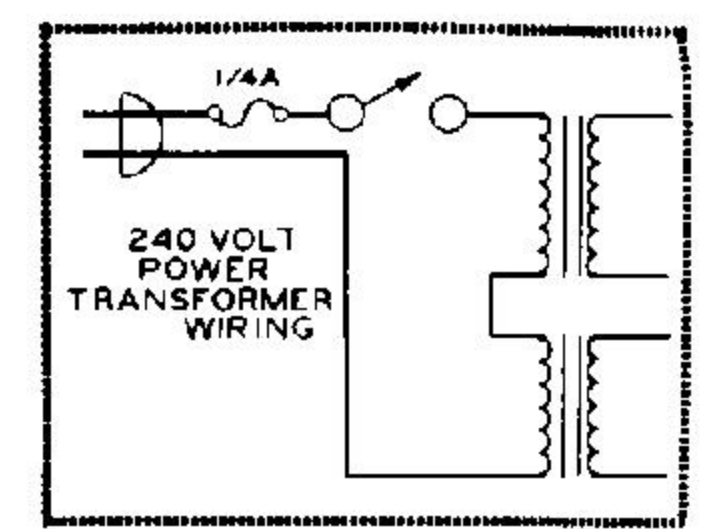
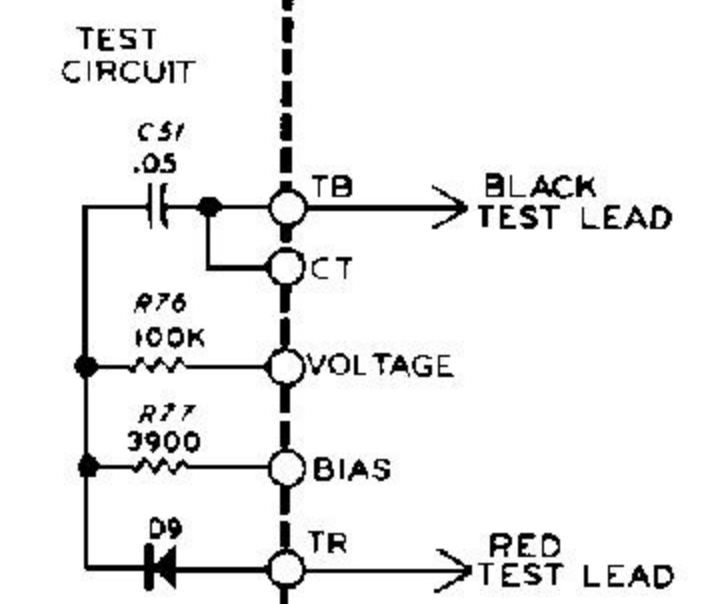
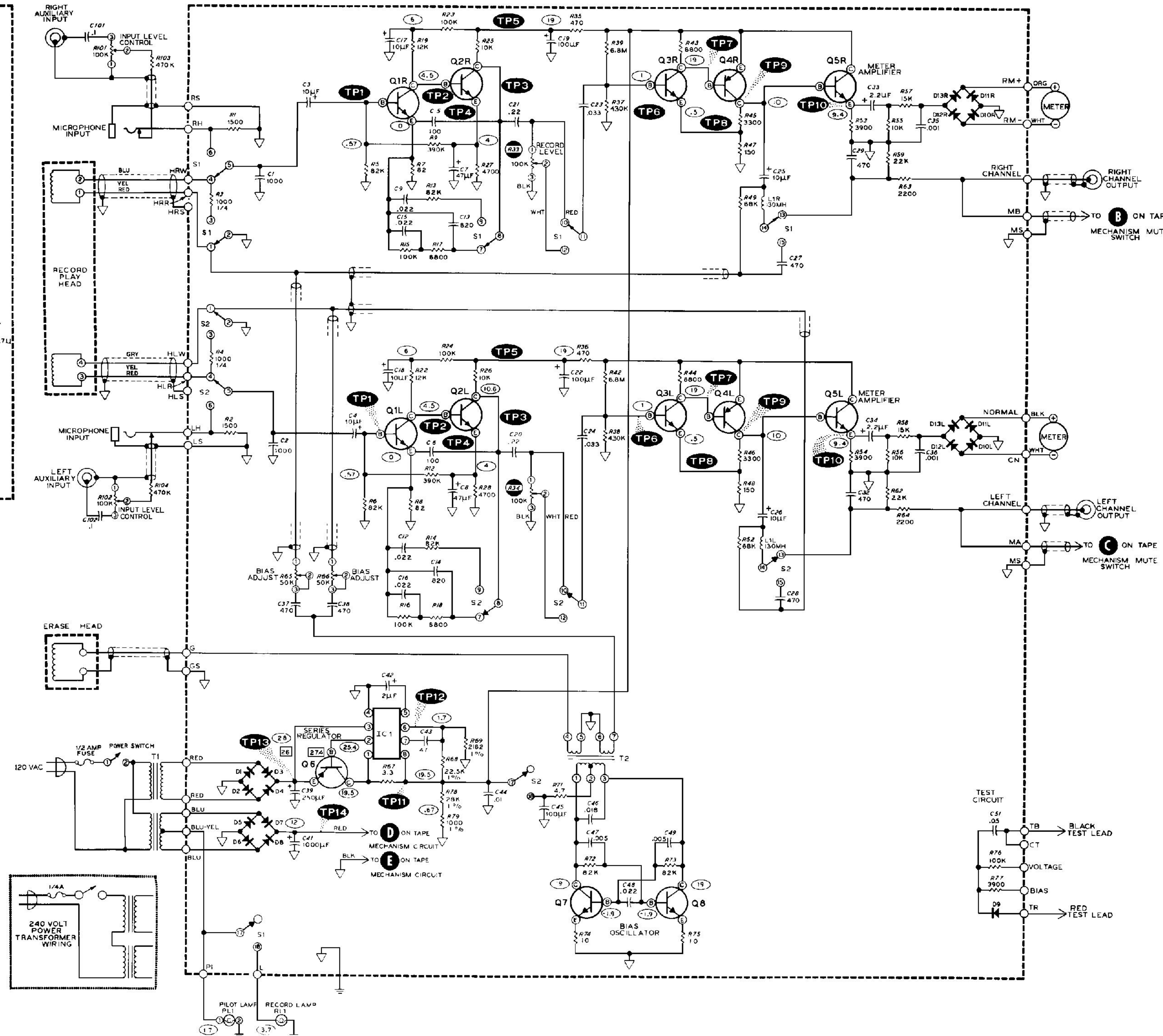


**SCHEMATIC OF THE  
HEATHKIT<sup>®</sup>  
HI-FIDELITY CASSETTE TAPE DECK  
MODEL AD-110**

**NOTES**

- RESISTORS AND CAPACITORS ARE IN THE FOLLOWING GROUPS:  
 0-99 PARTS ON THE CIRCUIT BOARD.  
 100-199 PARTS ON THE CHASSIS.
- ALL RESISTORS ARE 1/2 WATT UNLESS MARKED OTHERWISE. RESISTOR VALUES ARE IN OHMS (K=1,000, M=1,000,000).
- CAPACITOR VALUES LESS THAN 1 ARE IN  $\mu$ F. VALUES OF 1 AND ABOVE ARE IN PF UNLESS MARKED OTHERWISE.
- ALL SWITCHES ON THE CIRCUIT BOARD ARE SHOWN IN THE "PLAY" POSITION.
- $\nabla$  THIS SYMBOL INDICATES GROUND FOIL ON THE CIRCUIT BOARDS.
- $\equiv$  THIS SYMBOL INDICATES CHASSIS GROUND.
- $\bigcirc$  THIS SYMBOL INDICATES CONNECTING POINTS ON THE CIRCUIT BOARD.
- $\bigcirc$  THIS SYMBOL INDICATES A POSITIVE DC VOLTAGE MEASUREMENT TAKEN WITH A HIGH IMPEDANCE VOLTMETER FROM THE POINT INDICATED TO THE CHASSIS GROUND. VOLTAGES MAY VARY  $\pm 20\%$ .
- $\square$  THIS SYMBOL INDICATES A POSITIVE DC VOLTAGE MEASUREMENT TAKEN WITH THE SWITCHES IN THE RECORD POSITION.
- $\bullet$  THIS SYMBOL INDICATES A CONTROL THAT IS MOUNTED ON THE CHASSIS EVEN THOUGH THE SCHEMATIC SUGGESTS THAT THE PART IS MOUNTED ON THE CIRCUIT BOARD.





# TAPE TRANSPORT PARTS PICTORIAL

