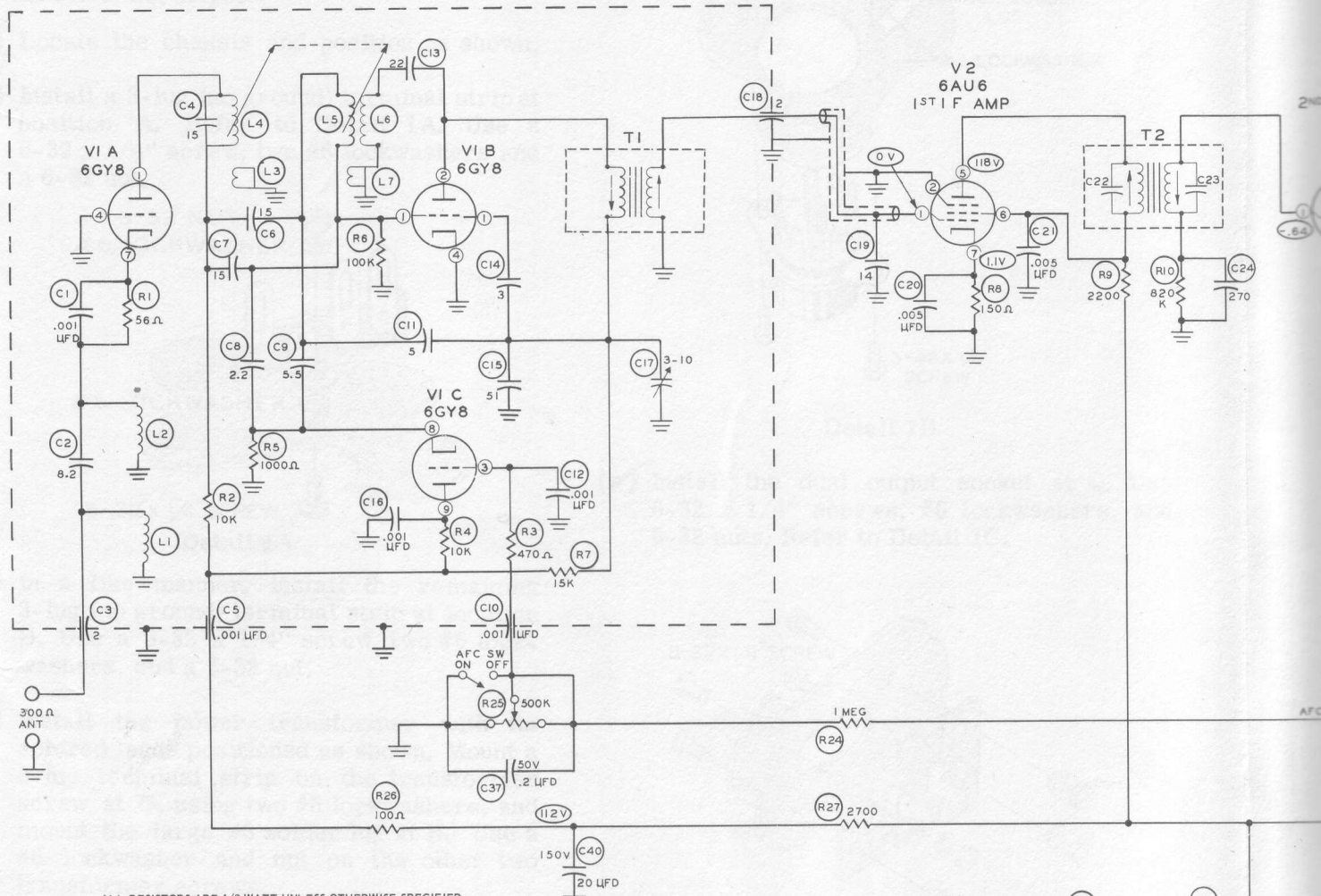


STEP BY STEP ASSEMBLY



ALL RESISTORS ARE 1/2 WATT UNLESS OTHERWISE SPECIFIED.
 ALL CAPACITOR VALUES IN μF UNLESS OTHERWISE SPECIFIED.
 ALL VOLTAGES TAKEN FROM POINT INDICATED TO CHASSIS GROUND.
 NO SIGNAL APPLIED.
 ALL VOLTAGES MAY VARY $\pm 10\%$.
 VOLTAGE READINGS TAKEN WITH 11 MEGOHM INPUT VTVM.
 ANTENNA TERMINALS SHORTED.

- INDICATES CHASSIS FEED-THROUGH CAPACITOR.
- INDICATES CONNECTION.
- INDICATES CHASSIS GROUND.
- INDICATES TOP SLUG.
- INDICATES BOTTOM SLUG.
- ALL CONTROLS FULL COUNTERCLOCKWISE.
- AFC SWITCH IN ON POSITION.



**FM TUNER
 MODEL AJ-63**

