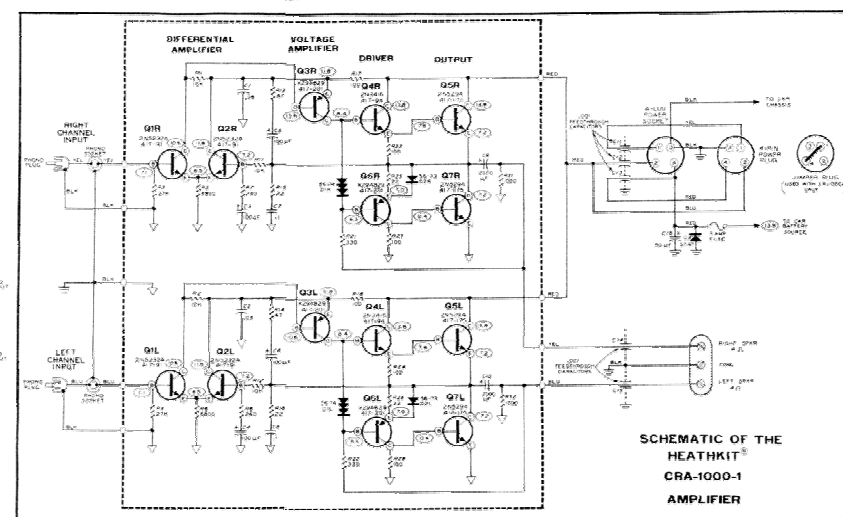
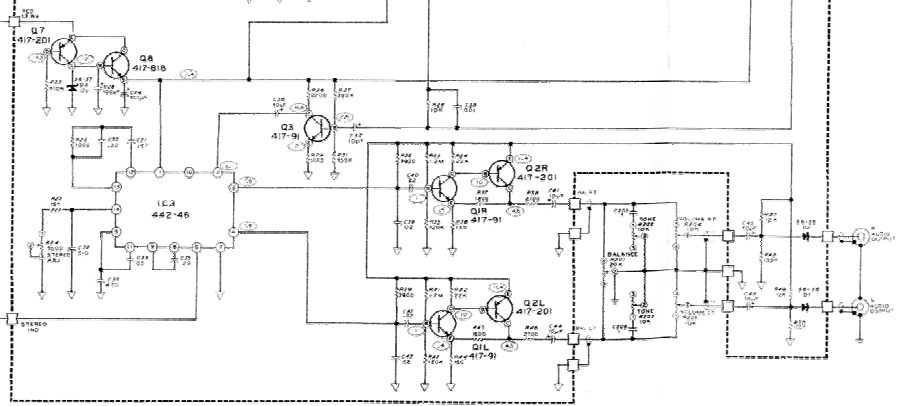
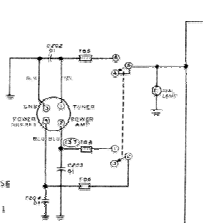


**SCHEMATIC OF THE
HEATHKIT®
FM STEREO TUNER
MODEL CR-1000A**

- NOTES:
1. ALL RESISTORS ARE 1/2 WATT UNLESS OTHERWISE MARKED. OTHERWISE RESISTORS ARE 1/4 WATT (1K-100K, 100K-1000K).
 2. CAPACITOR VALUES LESS THAN 1 ARE IN μF. VALUES OF 1 AND ABOVE ARE IN μF UNLESS MARKED OTHERWISE.
 3. THIS SYMBOL INDICATES GROUND POINT ON A CIRCUIT BOARD.
 4. THIS SYMBOL INDICATES CHASSIS GROUND.
 5. THIS SYMBOL INDICATES CONNECTING POINTS ON THE CIRCUIT BOARD.
 6. FREQUENCY MARK SYMBOL.
 7. THIS SYMBOL INDICATES A VOLTAGE MEASUREMENT TAKEN UNDER "NO SIGNAL" CONDITIONS, WITH THE NOTE INDICATED.
 8. THIS SYMBOL INDICATES A VOLTAGE MEASUREMENT TAKEN WHEN THERE IS A "STANDARD SIGNAL" PRESENT.
 9. * THIS SYMBOL INDICATES A VOLTAGE THAT VARIES ACCORDING TO THE SETTINGS OF A VC.
 10. ALL VOLTAGE MEASUREMENTS TAKEN WITH A HIGH-IMPEDANCE INPUT VOLTMETER AND MAY VARY ± 20%.



**SCHEMATIC OF THE
HEATHKIT®
CR-1000-1
AMPLIFIER**