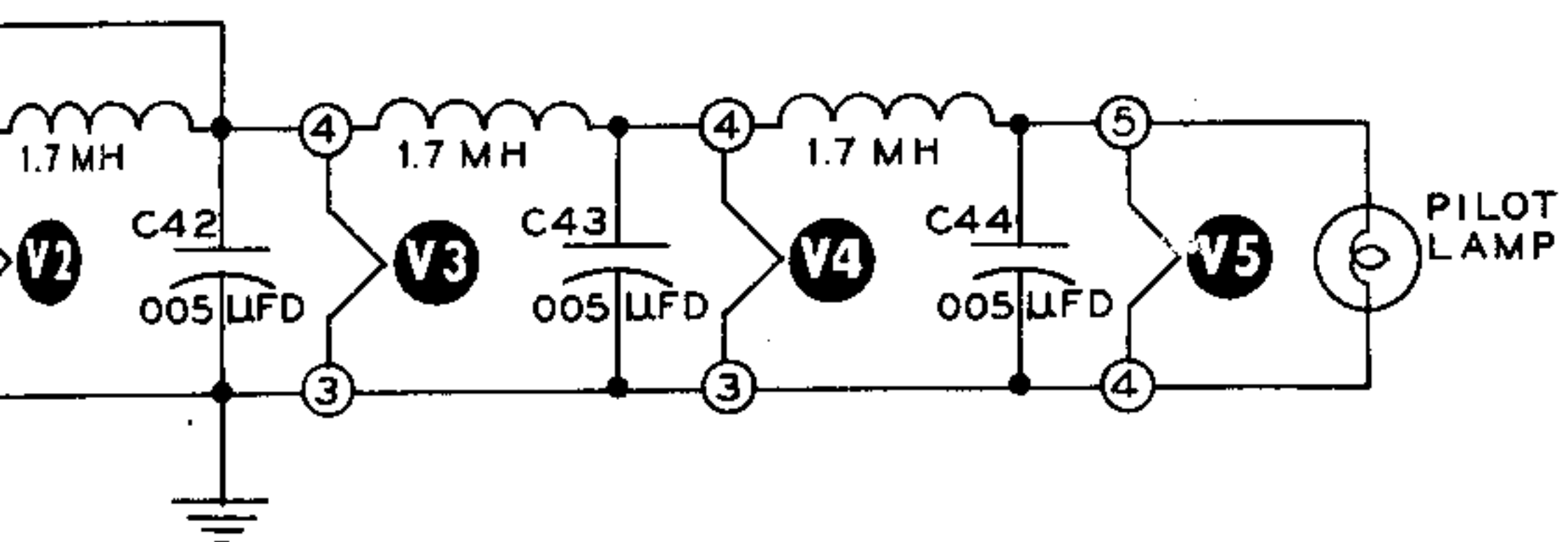
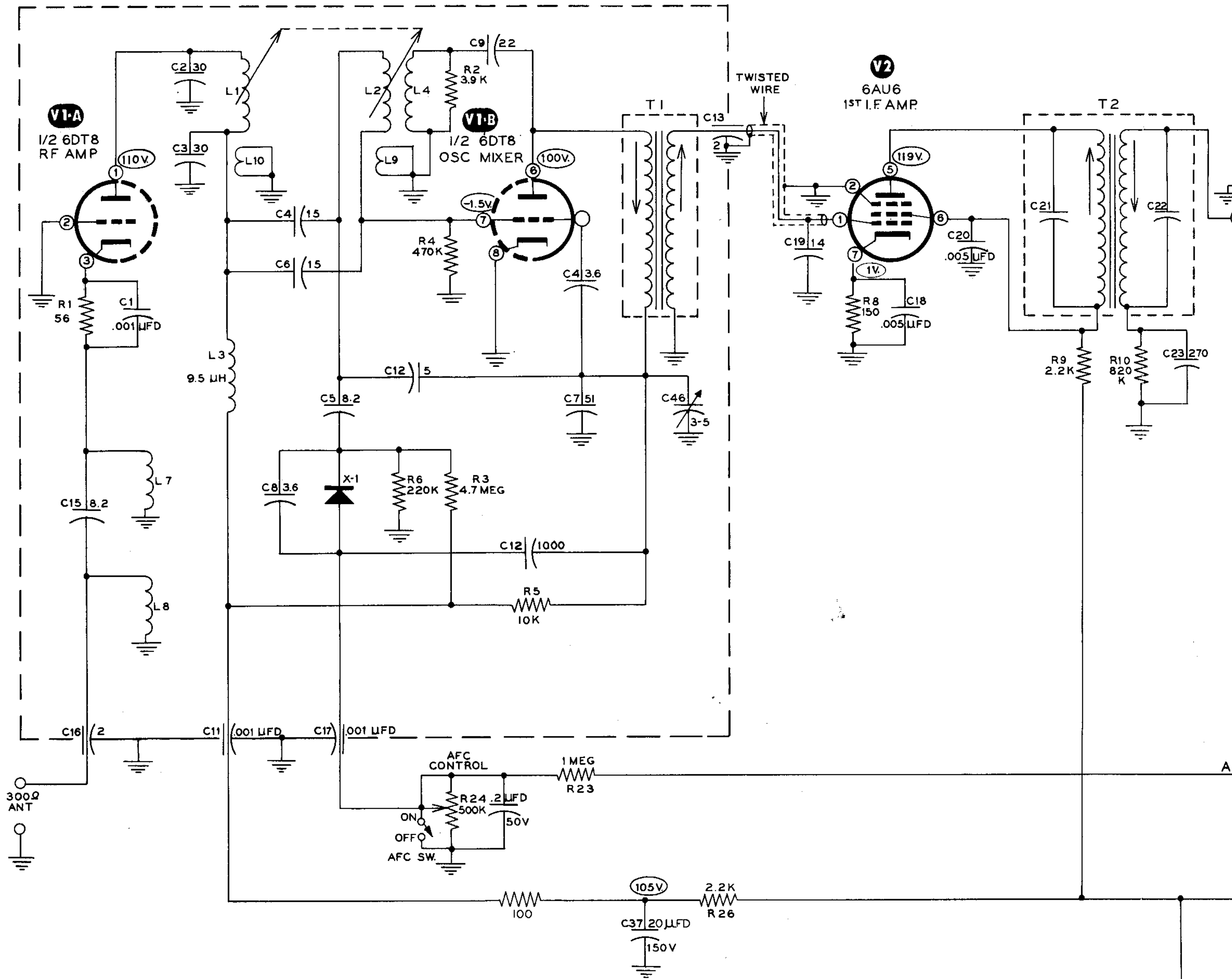


HEATHKIT F M TUNER
MODEL FM-4





NOTE: ALL DC VOLTAGES TAKEN TO CHASSIS WITH A HEATHKIT VACUUM TUBE VOLTMETER.

ALL VOLTAGES MAY VARY ±10% FROM INDICATED VOLTAGES.

VOLUME AND TUNING CONTROLS FULL CLOCKWISE.

ANTENNA TERMINALS SHORTED.

AFC SWITCH IN OFF POSITION.

ALL CAPACITORS MARKED IN μμf UNLESS OTHERWISE INDICATED.

ALL RESISTORS ARE 1/2 WATT UNLESS SPECIFIED OTHERWISE.

C10, C11, C13, C16 AND C17 ARE FEED THROUGH CAPACITORS.

ARROWS ↑ AT TRANSFORMERS T1, T2, T3, AND T4 INDICATE TOP SLUGS.

