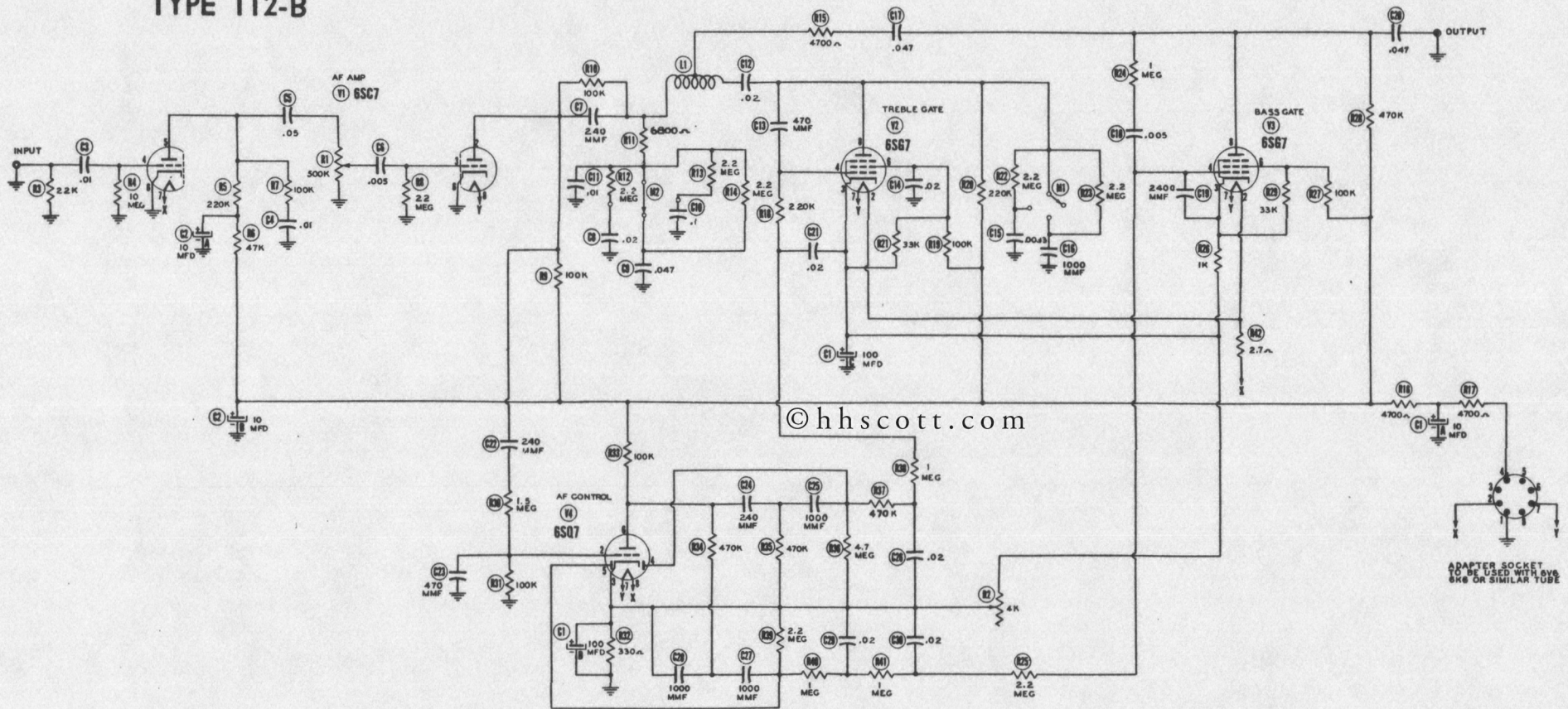


the **DYNAURAL** PREAMPLIFIER

TYPE 112-B



©hhscott.com

VOLTAGE READINGS

Item	Tube	Pin 1	Pin 2	Pin 3	Pin 4	Pin 5	Pin 6	Pin 7	Pin 8
V 1	6SC7	0V	115VDC	-.5VDC	-.4VDC	85VDC	0V	16.3VAC	16.3VAC
V 2	6SQ7	0V	14.8VAC	13VDC	0V	13VDC	85VDC	14.8VAC	205VDC
V 3	6SQ7	0V	14.8VAC	14VDC	0V	14VDC	85VDC	14.8VAC	185VDC
V 4	6SQ7	0V	1.3VDC	0V	145VDC	16.3VAC	16.3VAC		

† MEASURED ACROSS FILAMENTS

‡ TONE SWITCH ON 3; RANGE SWITCH ON 5

RESISTANCE READINGS

Item	Tube	Pin 1	Pin 2	Pin 3	Pin 4	Pin 5	Pin 6	Pin 7	Pin 8
V 1	6SC7	∞Ω	110KΩ	33Meg	10Meg	1275KΩ	∞Ω	a.1.7Ω	∞Ω
V 2	6SQ7	∞Ω	a.1.8Ω	4.3KΩ	6.3Meg	4.3KΩ	37KΩ	a.1.7Ω	1230KΩ
V 3	6SQ7	∞Ω	a.1.8Ω	5.3KΩ	6.4Meg	5.3KΩ	38KΩ	a.1.7Ω	1470KΩ
V 4	6SQ7	∞Ω	100KΩ	33Ω	4.7Meg	2.2Meg	110KΩ	a.1.7Ω	∞Ω

1 MEASURED FROM PIN 4 OF ADAPTER PLUG.
 ‡ MEASURED FROM PIN 2 OF ADAPTER PLUG.

THE COOPERATION OF THE MANUFACTURER OF THIS EQUIPMENT MAKES IT POSSIBLE TO BRING YOU THIS SERVICE

A PHOTOFAC STANDARD NOTATION SCHEMATIC
 © Howard W. Sams & Co., Inc. 1951

HERMON HOSMER SCOTT, INC.
 385 Putnam Avenue Cambridge, Massachusetts