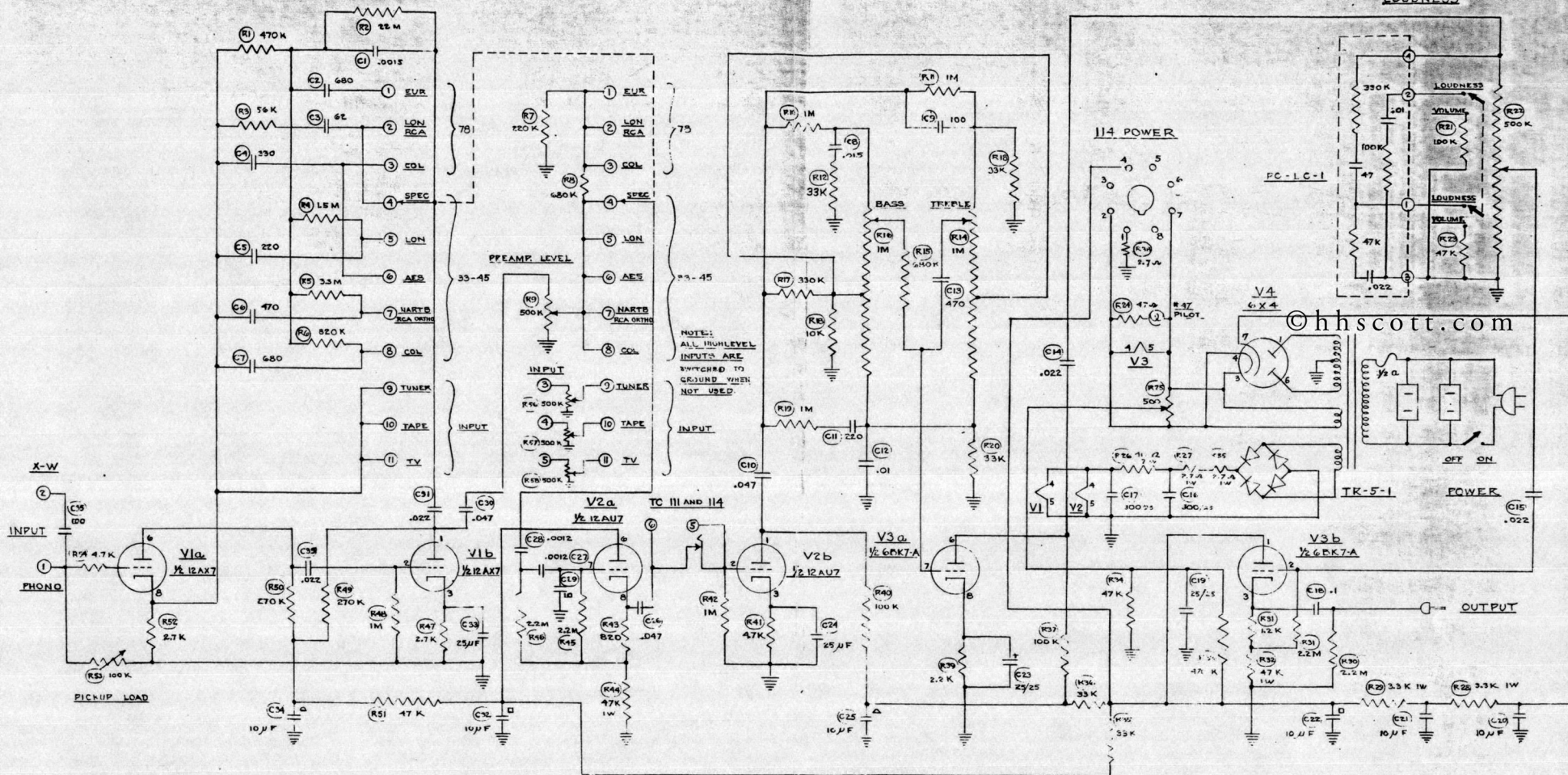


RECORD COMPENSATOR

LOUDNESS



TYPE 120-CP EQUALIZER PREAMPLIFIER  
CIRCUIT DIAGRAM

REVISIONS

120-CP CIRCUIT DIAGRAM  
HERMON HOSMER SCOTT, INC.  
CAMBRIDGE, MASS., U.S.A.  
DR: S. S. H. E. END  
CH: PROE. 120-CP-1  
LWS: 120-CP-1