

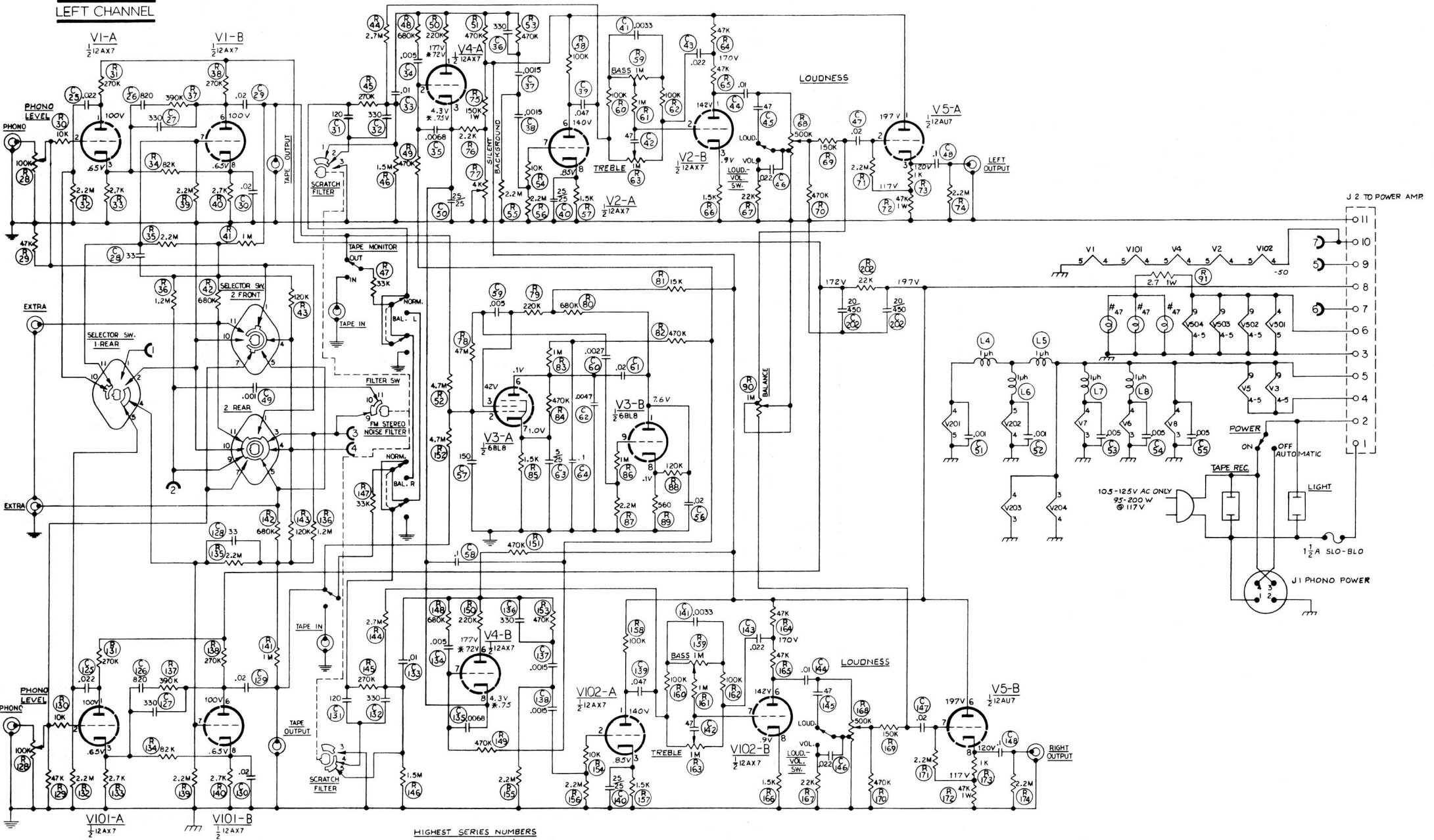
FILTER POSITIONS
 1. FM STEREO NOISE FILTER
 2. MAX. FIDELITY.
 3. SCRATCH FILTER+DIST. AM.

SELECTOR POSITIONS
 1. PHONO-MONO
 2. PHONO-STEREO
 3. MONO FM
 4. STEREO FM
 5. AM
 6. EXTRA

NOTES:
 1. VOLTAGES MEASURED W/117V LINE.
 2. TUNER OFF STATION.
 3. VOLTAGES MEASURED W/VOM (20,000 Ω/V)
 4. TUNER TUNED TO MAX STATION FOR * MEASUREMENTS.
 5. B+ FOR V401, V402, V7, +VB SUPPLIED ONLY WITH SELECTOR IN 'FM' POSITIONS.
 6. B+ FOR V403 +V404 SUPPLIED ONLY WITH SELECTOR IN 'AM' POSITIONS.
 7. ALL RESISTORS 1/2 WATT 10% UNLESS OTHERWISE NOTED.
 8. SWITCHES SHOWN IN MAX. CCW POSITION.

SCOTT MODELS 2001, 2002, 2003 (Tuner)

LEFT CHANNEL

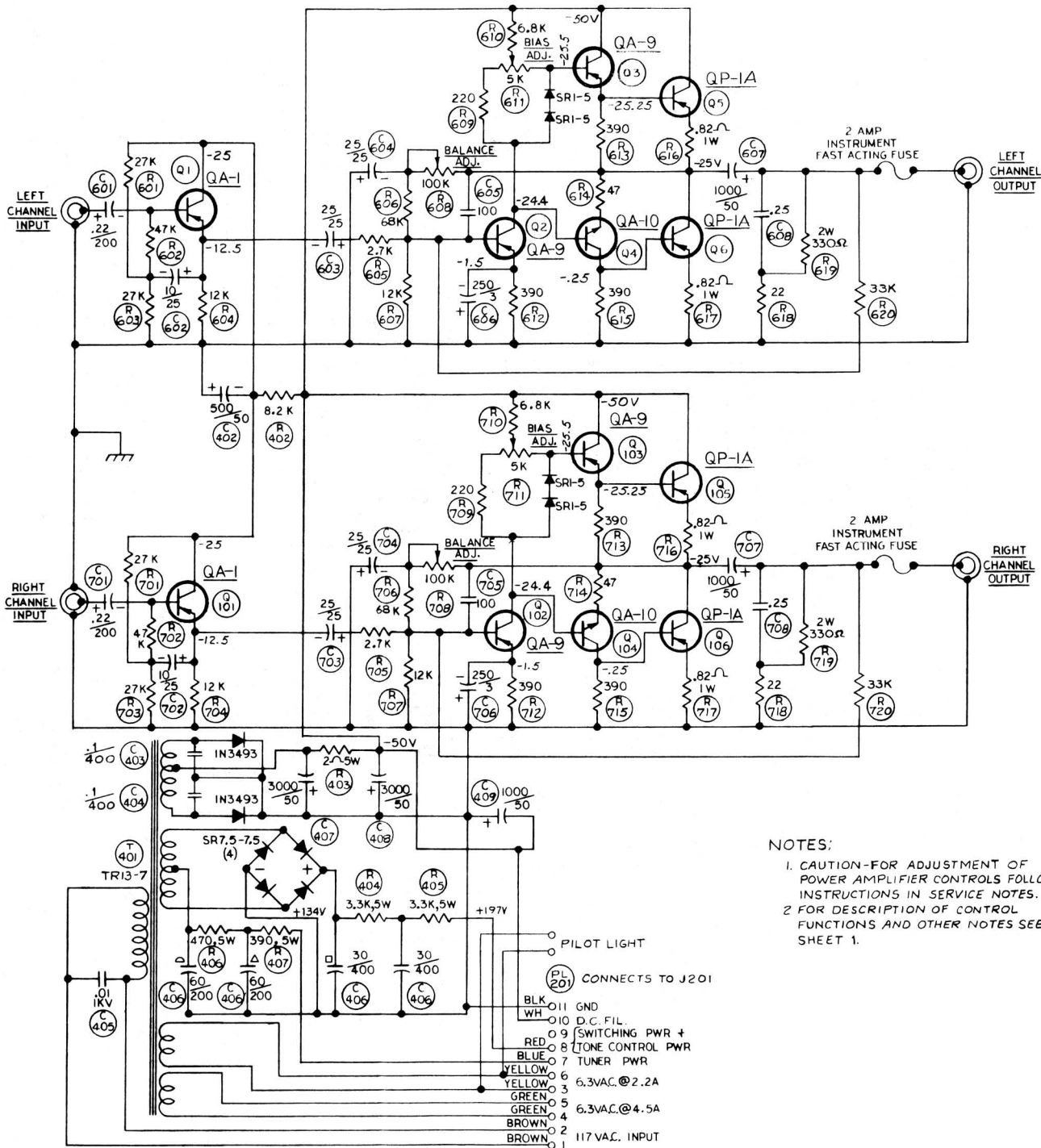


RIGHT CHANNEL

HIGHEST SERIES NUMBERS
 C25 TO C65 C125 TO C149 C202 (ONLY)
 R28 TO R91 R128 TO R174 R202 (ONLY)
 L4 TO L8

* SILENT BACKGROUND CKT. FULLY ON

SCOTT MODELS 2001, 2002, 2003 (Preamp)



SCOTT MODELS 2001, 2002, 2003 (Power / Output)