

**STEREO SELECTOR SWITCH**

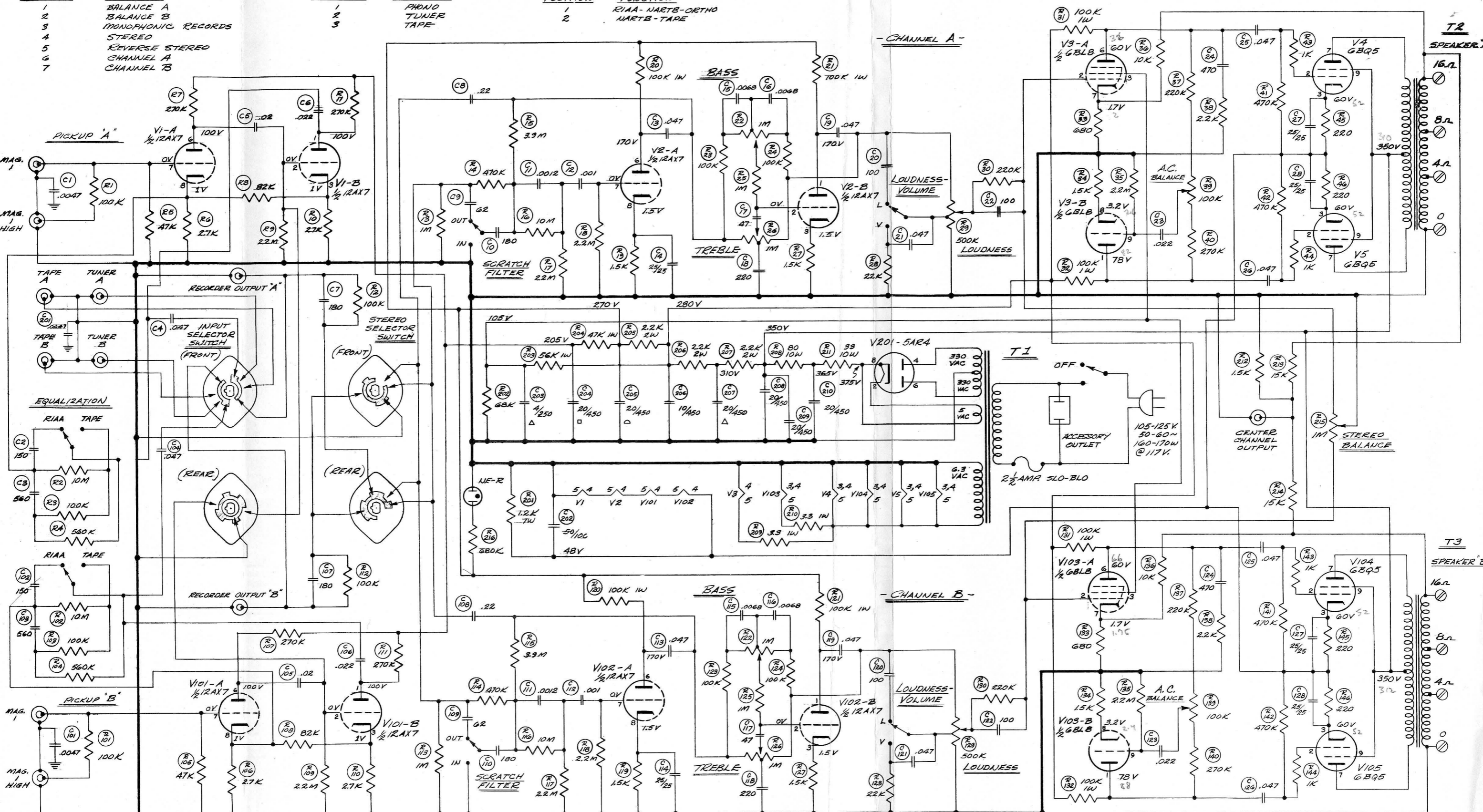
**INPUT SELECTOR SWITCH**

**EQUALIZATION SWITCH**

POSITION	FUNCTION
1	BALANCE A
2	BALANCE B
3	MONOPHONIC RECORDS
4	STEREO
5	REVERSE STEREO
6	CHANNEL A
7	CHANNEL B

POSITION	FUNCTION
1	PHONO
2	TUNER
3	TAPE

POSITION	FUNCTION
1	RIAA-NARTB-ORTHO
2	NARTB-TAPE



THE FOLLOWING CONTROLS IN CHANNEL "A" ARE MECHANICALLY GANGED WITH IDENTICAL CONTROLS IN CHANNEL "B."

1. INPUT SELECTOR
2. EQUALIZATION
3. SCRATCH FILTER
4. LOUDNESS-VOLUME
5. LOUDNESS and POWER SWITCH

**TYPE 222 STEREO AMPLIFIER**

1. ALL VOLTAGES D.C. ±15% MEASURED WITH V.T.V.M.
2. NO INPUT SIGNAL & 117 VOLT LINE
3. SWITCHES SHOWN IN MAXIMUM C.C.W. POSITION.

REVISIONS  
 PANEL LAMP (NE-R)  
 5-RESISTOR (R-216)  
 ADDED. 5/16/59  
 RLM 1

SCALE	NONE	DEC. 31, 1959
222 CIRCUIT DIAGRAM		
H. H. SCOTT, INC. MAYNARD, MASS., U.S.A.		
DR: R. MARTIN	ENG: [Signature]	
CH:	PROD:	
DWG. NO. D-222-C1 SUB 1		