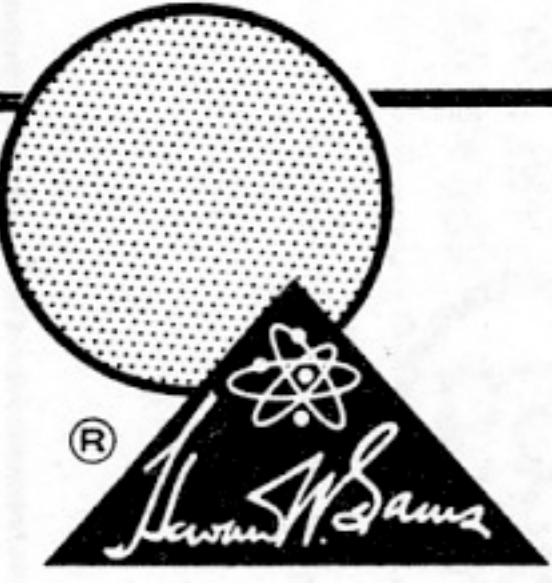
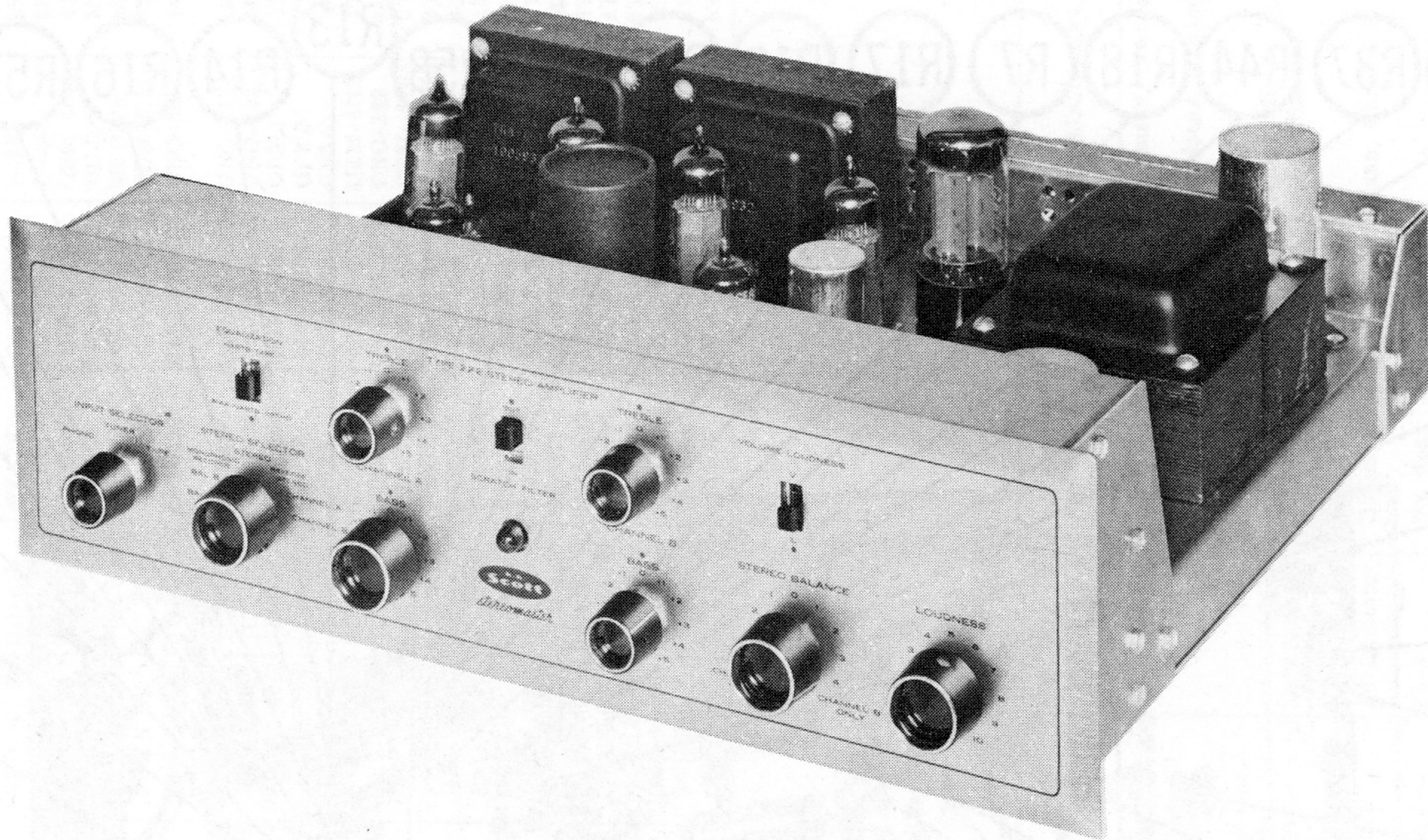


PHOTOFACT® Folder



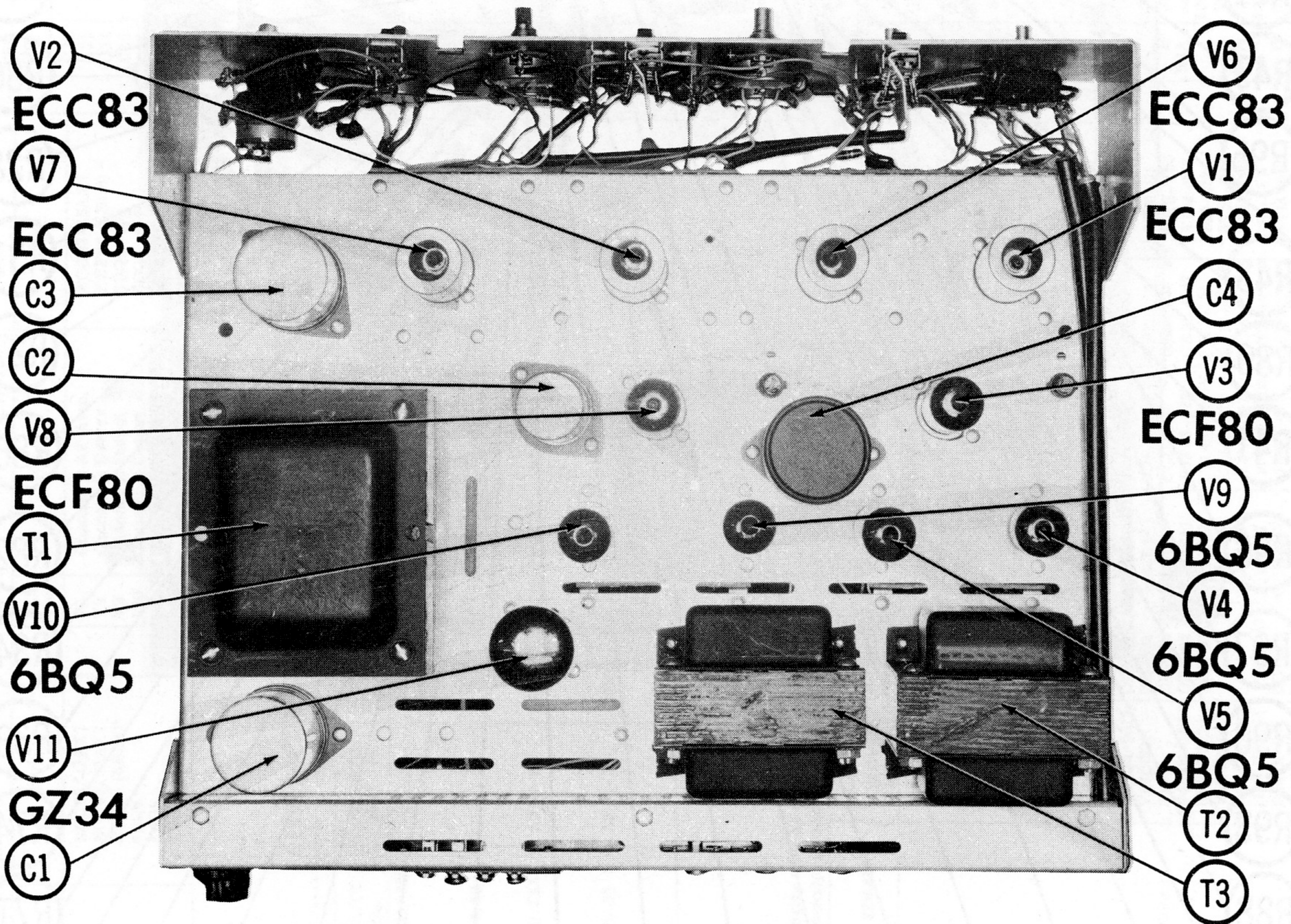
H. H. SCOTT
MODEL 222



H. H. SCOTT
MODEL 222

TRADE NAME	H. H. Scott Model 222		
MANUFACTURER	H. H. Scott, Inc., 111 Powder Mill Road, Maynard, Mass.		
TYPE SET	AC Operated 11 Tube Stereo Amplifier		
POWER SUPPLY	105 - 125 Volts AC, 60 Cycles	RATING	130 Watts, 1.15 Amp. @117 Volts AC

H. H. SCOTT
MODEL 222

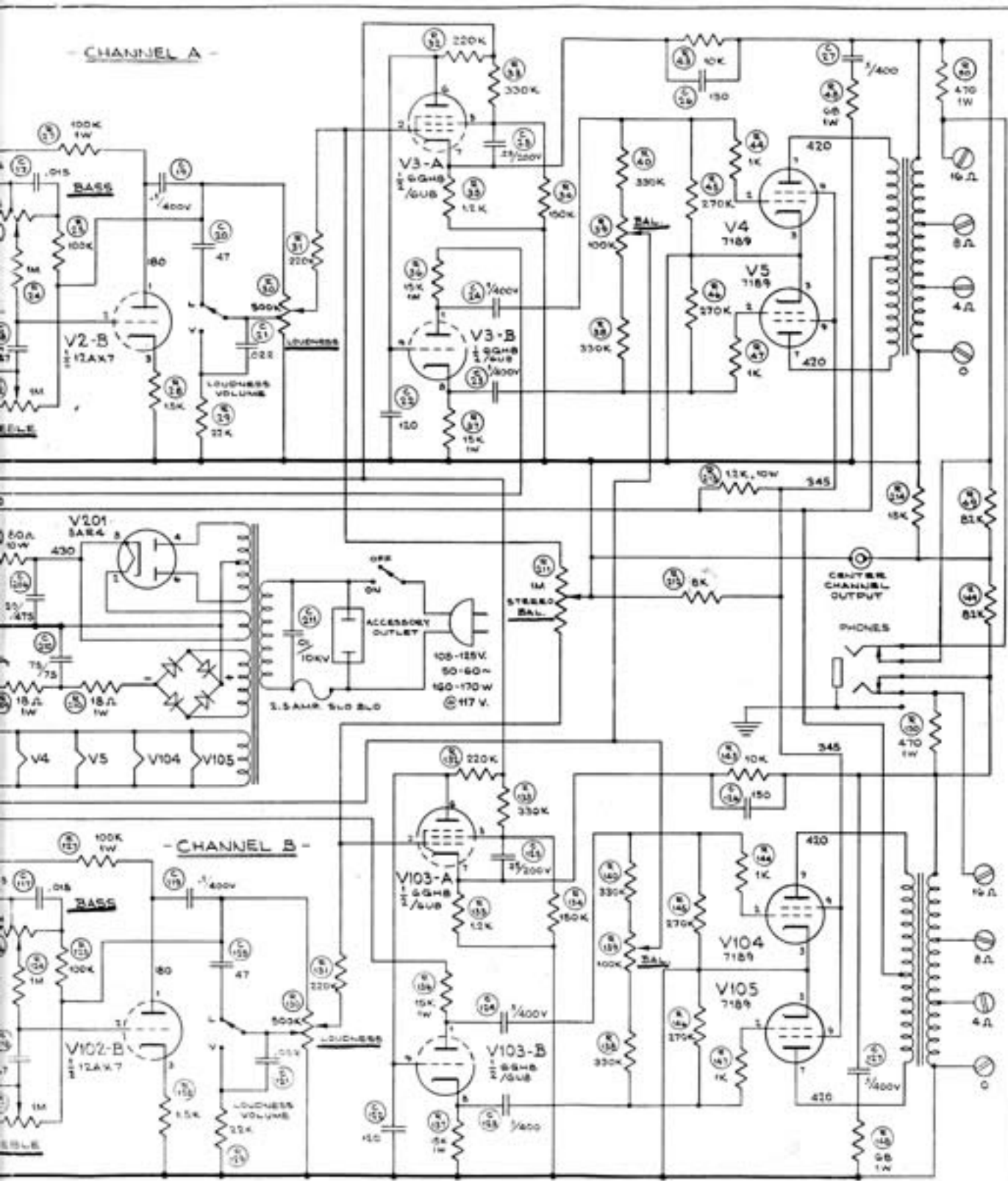


HOWARD W. SAMS & CO., INC. Indianapolis 6, Indiana



The listing of any available replacement part herein does not constitute in any case a recommendation, warranty or guaranty by Howard W. Sams & Co., Inc., as to the quality and suitability of such replacement part. The numbers of these parts have been compiled from information furnished to Howard W. Sams & Co., Inc., by the manufacturers of KV050

the particular type of replacement part listed. Reproduction or use, without express permission, of editorial or pictorial content, in any manner, is prohibited. No patent liability is assumed with respect to the use of the information contained herein. © 1961 Howard W. Sams & Co., Inc., Indianapolis 6, Indiana. Printed in U.S. of America



TYPE 222C STEREO AMPLIFIER

CHANNEL A AND MECHANICALLY IDENTICAL IN CHANNEL B

UNLESS OTHERWISE SPECIFIED		DATE: 19 JULY 1950
1. ALL VOLTAGES D.C. UNLESS INDICATED OTHERWISE		TYPE CIRCUIT DIAGRAM
2. NO INPUT SIGNAL AND 117 VOLT LINE		
3. SWITCHES SHOWN IN NORMAL C.W. POSITION		DR. CASSIDY (10)
		DWG NO. D-222C-C1-1 & 2

POWER SWITCH

