

STEREO SELECTOR SWITCH

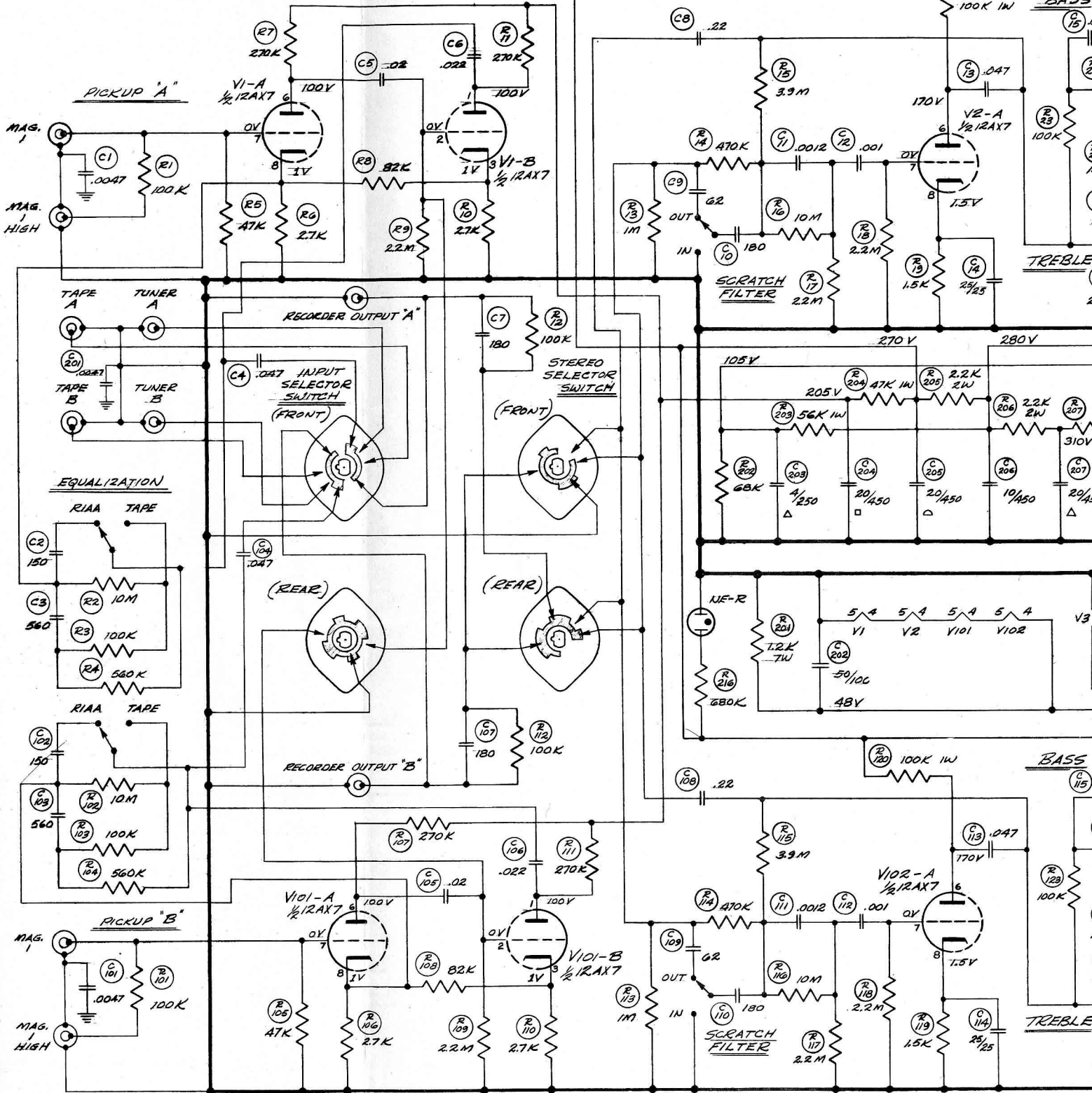
INPUT SELECTOR SWITCH

EQUALIZATION SWITCH

POSITION	FUNCTION
1	BALANCE A
2	BALANCE B
3	MONOPHONIC RECORDS
4	STEREO
5	REVERSE STEREO
6	CHANNEL A
7	CHANNEL B

POSITION	FUNCTION
1	PHONO
2	TUNER
3	TAPE

POSITION	FUNCTION
1	RIAA-NARTB-ORTHO
2	NARTB-TAPE



THE FOLLOWING CONTROLS IN CHANNEL "A" ARE MECHANICALLY GANGED WITH IDENTICAL CONTROLS IN CHANNEL "B."

- 1. INPUT SELECTOR
- 2. EQUALIZATION
- 3. SCRATCH FILTER
- 4. LOUDNESS-VOLUME
- 5. LOUDNESS and POWER SWITCH

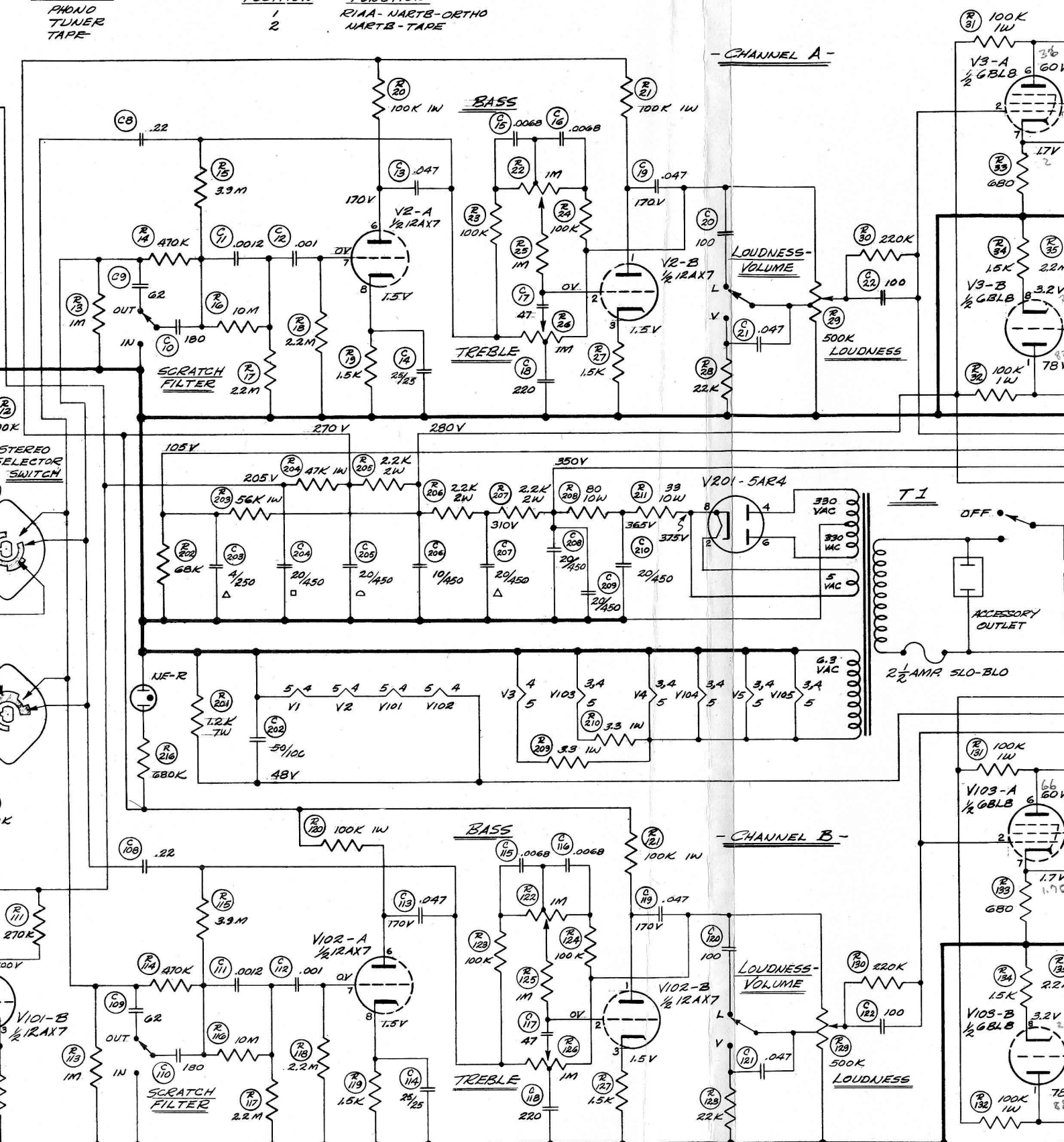
REVISIONS
 PANEL LAMP (NE-R)
 5 RESISTOR (R-216)
 ADDED 3/16/59
 RUM

SELECTOR SWITCH

FUNCTION
PHONO
TUNER
TAPE

EQUALIZATION SWITCH

POSITION
1 RIAA-NARTB-ORTHO
2 NARTB-TAPE

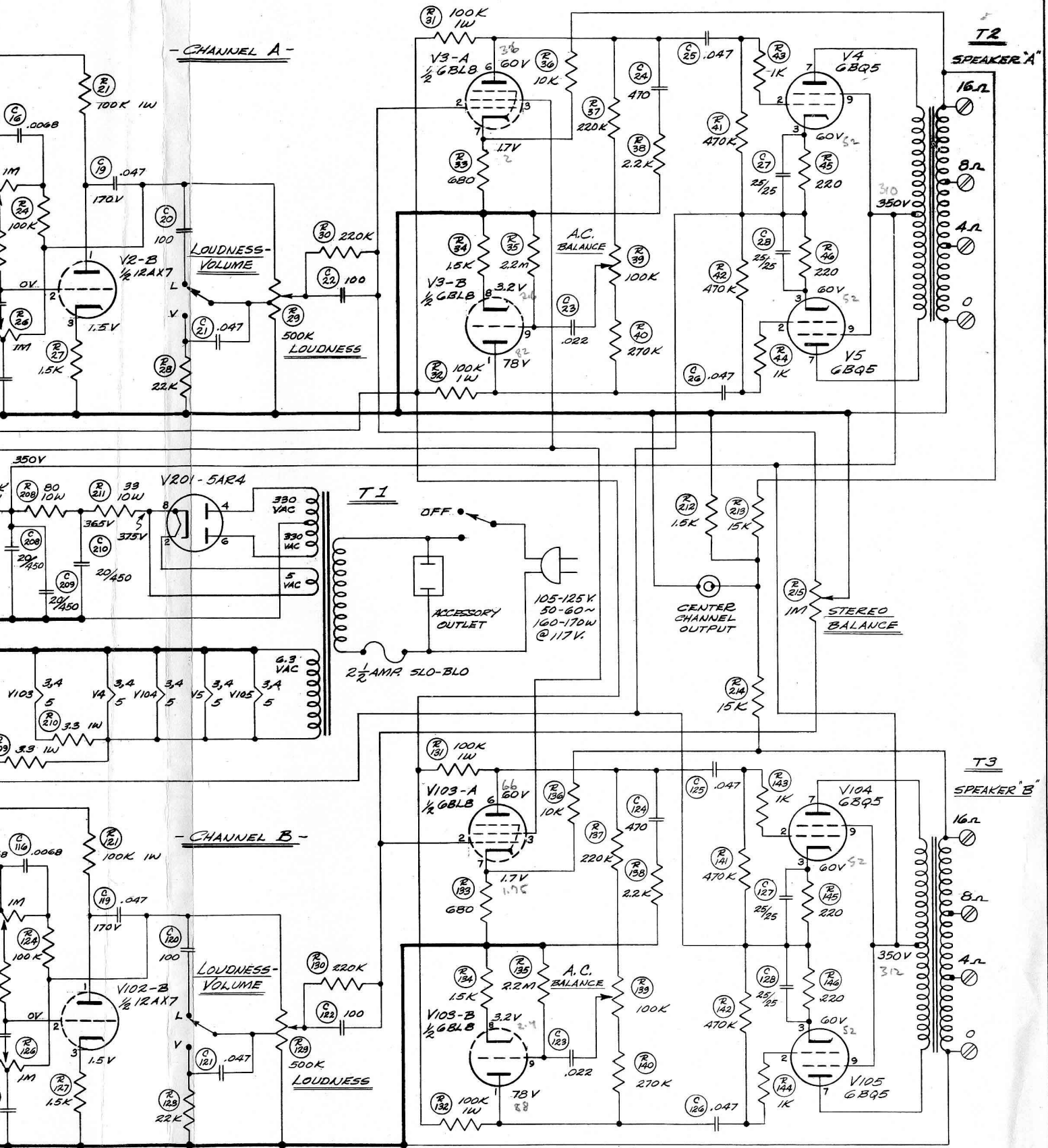


THE FOLLOWING CONTROLS IN CHANNEL "A" ARE MECHANICALLY GANGED WITH IDENTICAL CONTROLS IN CHANNEL "B."

- 1. INPUT SELECTOR
- 2. EQUALIZATION
- 3. SCRATCH FILTER
- 4. LOUDNESS-VOLUME
- 5. LOUDNESS and POWER SWITCH

TYPE 222 STEREO AMPLIFIER

- 1. ALL VOLTAGES D.C. $\pm 15\%$ MEASURED WITH V.T.V.M.
- 2. NO INPUT SIGNAL $\frac{1}{2}$ 117 VOLT LINE
- 3. SWITCHES SHOWN IN MAXIMUM C.C.W. POSITION.



TYPE 222 STEREO AMPLIFIER

1. ALL VOLTAGES D.C. $\pm 15\%$ MEASURED WITH V.T.V.M.
2. NO INPUT SIGNAL $\text{\textcircled{E}}$ 117 VOLT LINE
3. SWITCHES SHOWN IN MAXIMUM C.C.W. POSITION.

SCALE: NONE	DEC. 31, 1958
222 CIRCUIT DIAGRAM	
H. H. SCOTT, INC. MAYNARD, MASS., U. S. A.	
DR: R. MARTIN	ENG: <i>[Signature]</i>
CH:	PROD:
DWG. NO. D-222-C1 SUB 1	