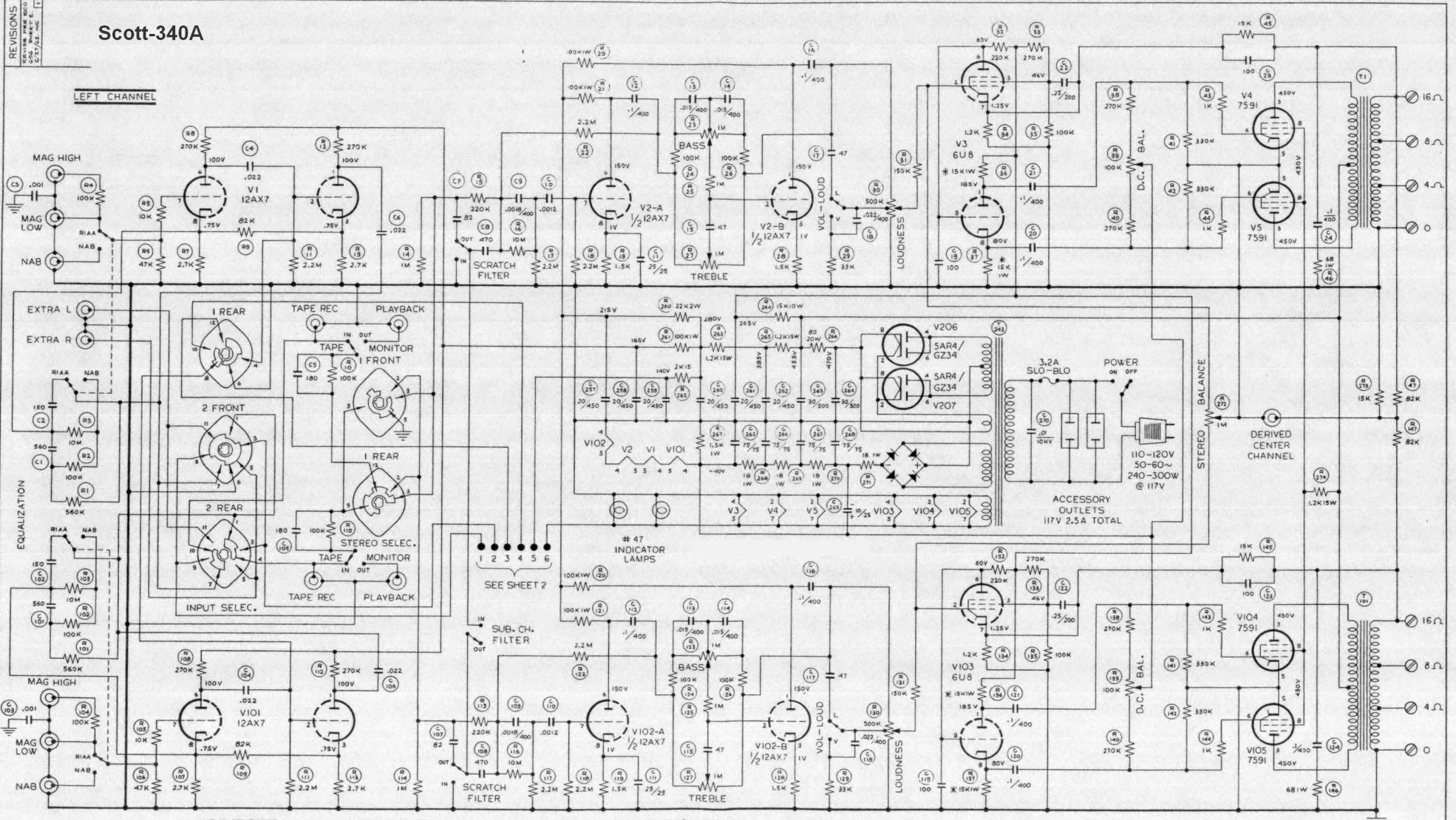


REVISIONS  
 1. 10/15/62  
 2. 11/12/62  
 3. 12/12/62

# Scott-340A



**INPUT SELECTOR**

POSITION	FUNCTION
1	FM MONO
2	FM MONO
3	FM MPX
4	EXTRA

**STEREO SELECTOR**

POSITION	FUNCTION
1	BAL. LEFT
2	BAL. RIGHT
3	MONOPHONIC RECORDS
4	STEREO
5	REVERSE STEREO
6	LEFT INPUT
7	RIGHT INPUT

THE FOLLOWING CONTROLS IN "LEFT" CHANNEL ARE MECHANICALLY GANGED WITH IDENTICAL CONTROLS IN "RIGHT" CHANNEL:

- INPUT SELECTOR
- EQUALIZATION
- SCRATCH FILTER
- VOLUME - LOUDNESS
- LOUDNESS
- TAPE MONITOR

NOTE:

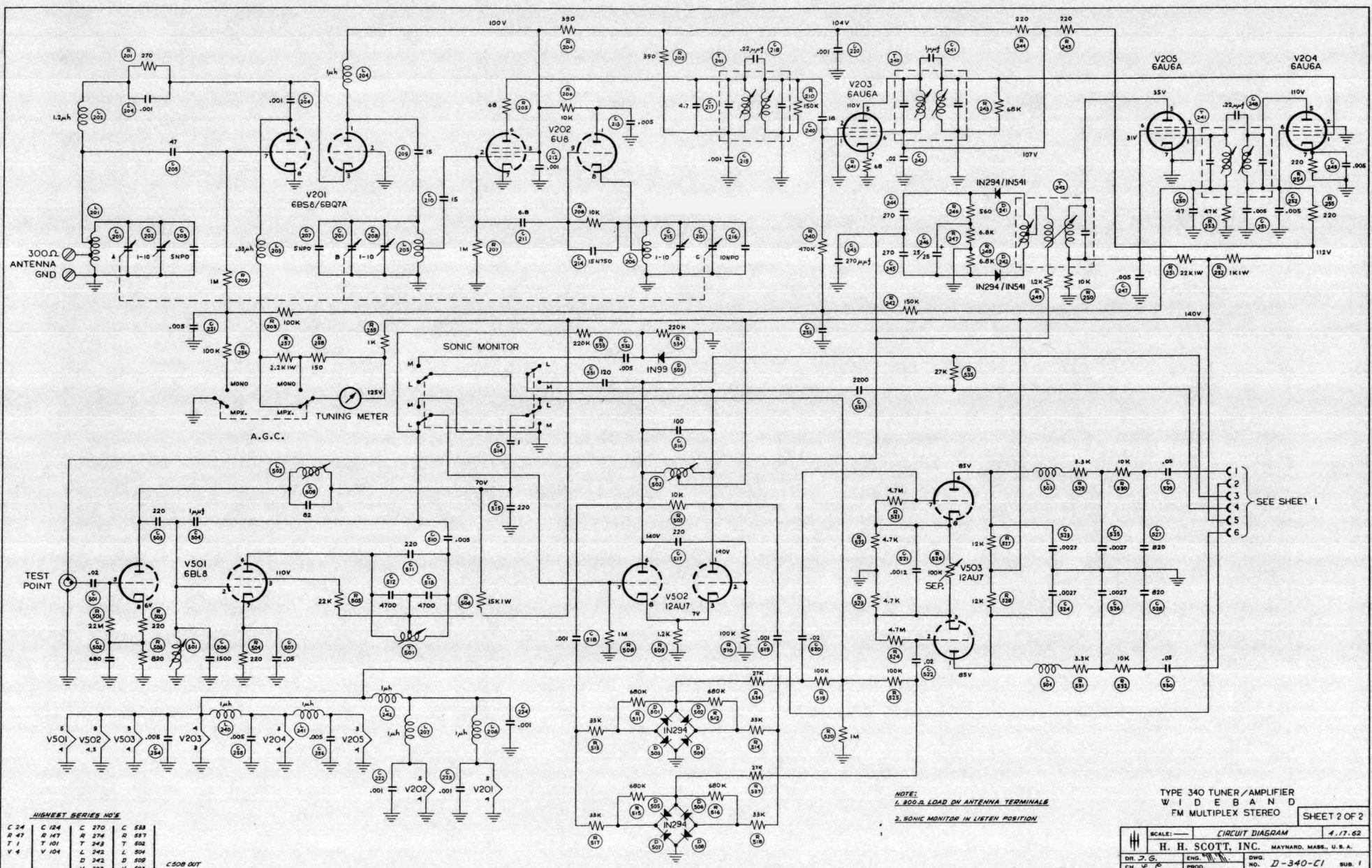
- SWITCHING SHOULD BE IN MAX. CCW POSITION
- ALL RESISTORS  $\frac{1}{2}$  W UNLESS NOTED
- ALL VOLTAGE DC  $\pm 10\%$  MEASURED WITH V.O.M.
- N.V. VOLT SIGNAL AND 117V LINE
- \* MATCHED RESISTORS

TYPE 340 TUNER/AMPLIFIER  
 WIDE BAND  
 FM MULTIPLEX STEREO

SHEET 1 OF 2

SCALE: ---	CIRCUIT DIAGRAM	4.17.62
H. I. SCOTT, INC. MAYNARD, MASS., U. S. A.		
DR J. S.	ENG. H. H.	DWG. NO. D-340-C1
CH. P.	PROD.	SUB. 1

Scott-340A



HIGHEST SERIES NO'S

C 24	C 124	C 270	C 538
R 47	R 147	R 274	R 537
T 1	T 101	T 248	T 502
V 4	V 104	C 242	L 504
		D 242	D 509
		V 207	V 503

C 508 00T

NOTE:  
 1. 800 Ω LOAD ON ANTENNA TERMINALS  
 2. SONIC MONITOR IN LISTEN POSITION

TYPE 340 TUNER/AMPLIFIER  
 WIDE BAND  
 FM MULTIPLEX STEREO

SHEET 2 OF 2

SCALE: ———

CIRCUIT DIAGRAM 4.17.62

H. H. SCOTT, INC. MAYNARD, MASS., U. S. A.

DR. J. G. ENG. W. J. DWG. NO. D-340-C1 SUB. 1