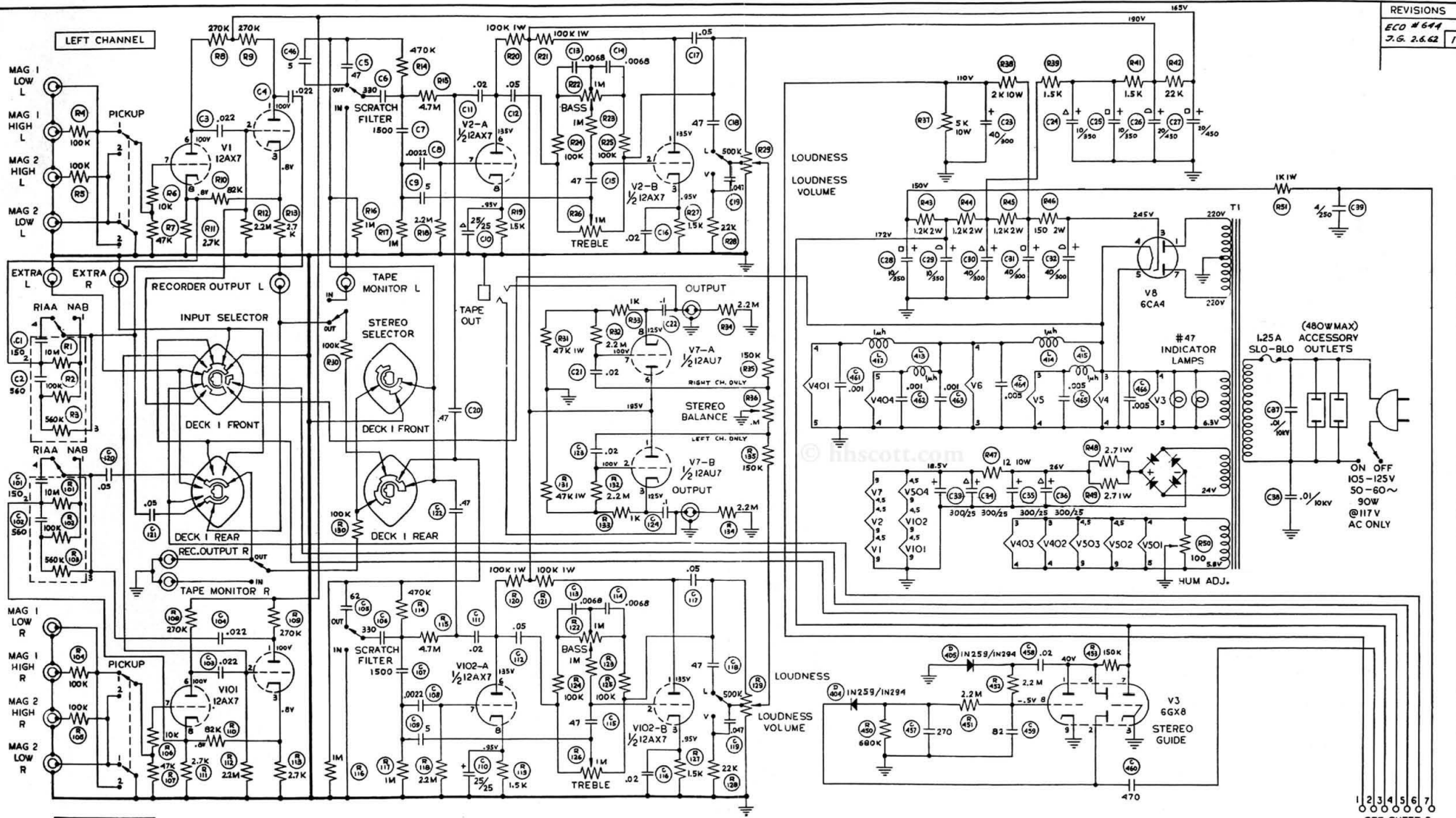


REVISIONS	
ECO # 644	1
J.G. 2.6.62	



LEFT CHANNEL

THE FOLLOWING CONTROLS IN "LEFT" CHANNEL ARE MECHANICALLY GANGED WITH IDENTICAL CONTROLS IN "RIGHT" CHANNEL:

1. INPUT SELECTOR
2. EQUALIZATION
3. SCRATCH FILTER
4. LOUDNESS - VOLUME
5. LOUDNESS & POWER SWITCH
6. TAPE MONITOR

INPUT SELECTOR

POSITION	FUNCTION
1	PHONO
2	TUNER
3	EXTRA

STEREO SELECTOR

POSITION	FUNCTION
1	BAL. LEFT
2	BAL. RIGHT
3	MONOPHONIC RECORDS
4	STEREO
5	REVERSE STEREO
6	LEFT INPUT
7	RIGHT INPUT

NOTE:

1. ALL RESISTORS 1/2W UNLESS NOTED
2. SWITCHES SHOWN IN MAX. CCW POSITION
3. ALL VOLTAGES DC ±15% MEASURED WITH V.X.V.M.
4. NO INPUT SIGNAL & 117V LINE

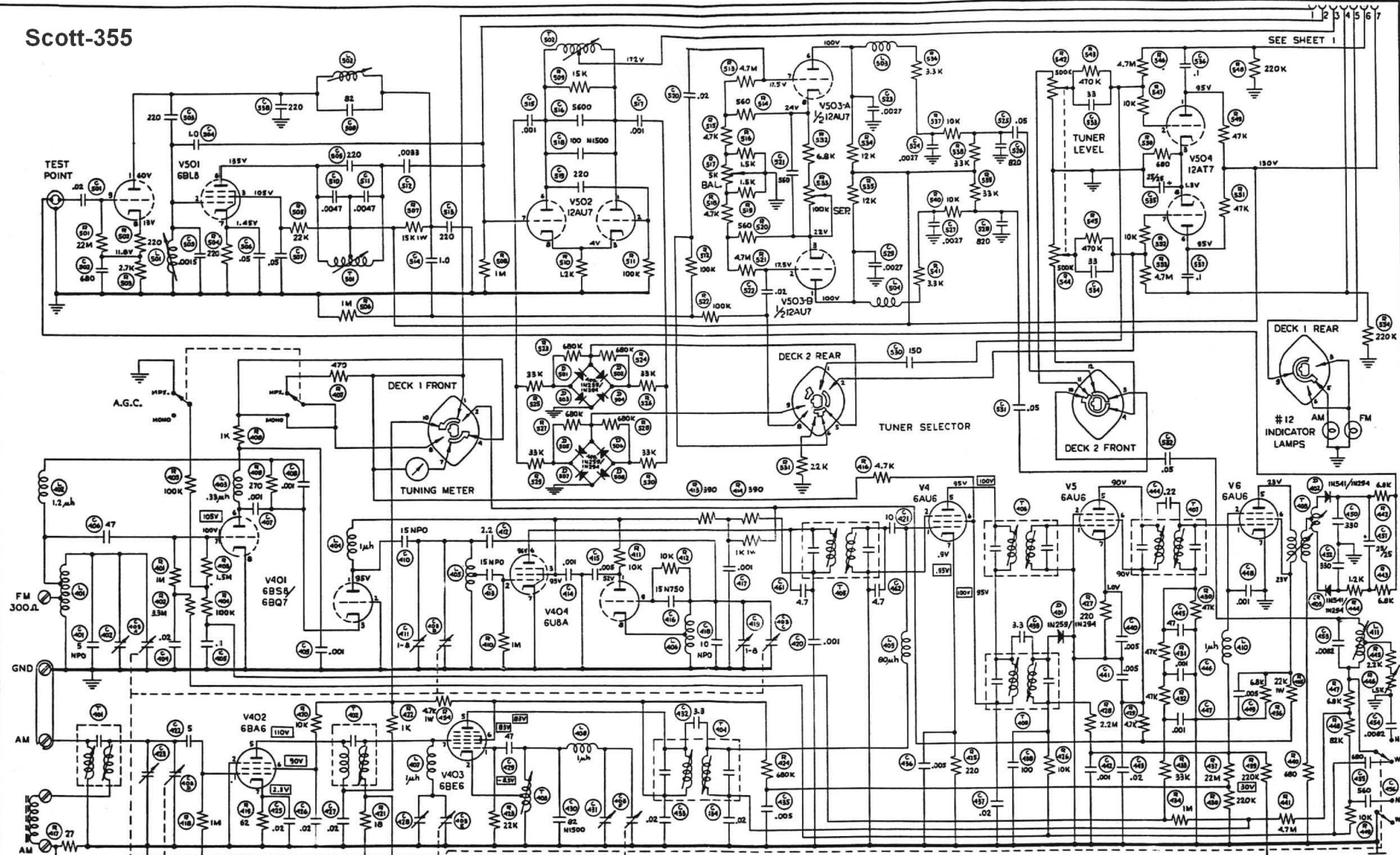
TYPE 355 AM-FM MULTIPLEX STEREO CONTROL CENTER

1 2 3 4 5 6 7
SEE SHEET 2

UNLESS OTHERWISE SPECIFIED		SCALE: —		CIRCUIT DIAGRAM		JAN. 11, 1962	
ALL DIMENSIONS ARE IN INCHES				TOLERANCE ON FRACTIONAL DIMENSIONS - .01			
TOLERANCE ON DECIMAL DIMENSIONS - .005				H. H. SCOTT, INC. MAYHARD, MASS., U.S.A.			
DR. J. G.		ENG. T. V.		DWG.		NUMBER 2-355-C1 SUB. 1	
CH. —		PROG.					

SHEET 1 OF 2

Scott-355



TUNER SELECTOR POSITION FUNCTION

POSITION	FUNCTION
1	AM
2	FM MONO
3	FM STEREO
4	SUB. CH. FILTER IN

- NOTE:**
1. TUNER SELECTOR SHOWN IN MAX. CCW POSITION
 2. VOLTAGES MEASURED WITH V.T.V.M.
 3. 300 Ω LOAD ON ANTENNA TERMINALS
 4. 117 VOLT LINE
 5. RECEIVER TUNED OFF STATION
6. VOLTAGES SHOWN 'BLOCKED IN' FOR EXAMPLE (R31) 1.48V VALUES IN AM PORT. OF TUNER SER

TYPE 355 AM-FM MULTIPLEX STEREO CONTROL CENTER

SHEET 2 OF 2

UNLESS OTHERWISE SPECIFIED
ALL DIMENSIONS ARE IN INCHES
TOLERANCES ON DIMENSIONS - L10
TOLERANCES ON ANGLES - DIMENSIONS - L10
SHEET DR. J. G. CH. 254

SCALE: ——— CIRCUIT DIAGRAM JAN. 11, 1962

H. H. SCOTT, INC. BAYBURN, MASS., U.S.A.

DR. J. G. CH. 254

DWG. NUMBER D-355-C1

© hscott.com