

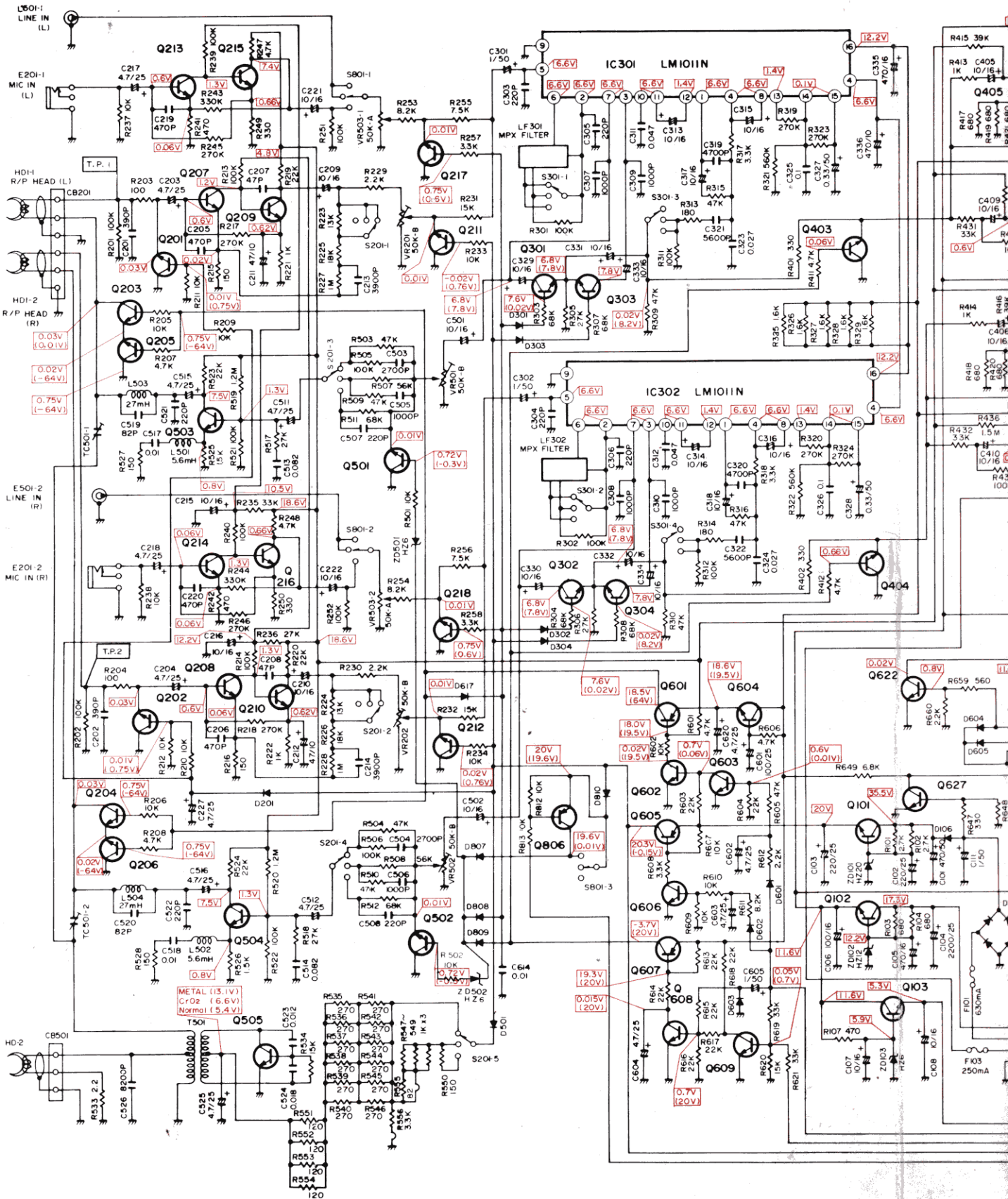
**Service Manual
Stereo Cassette Decks**

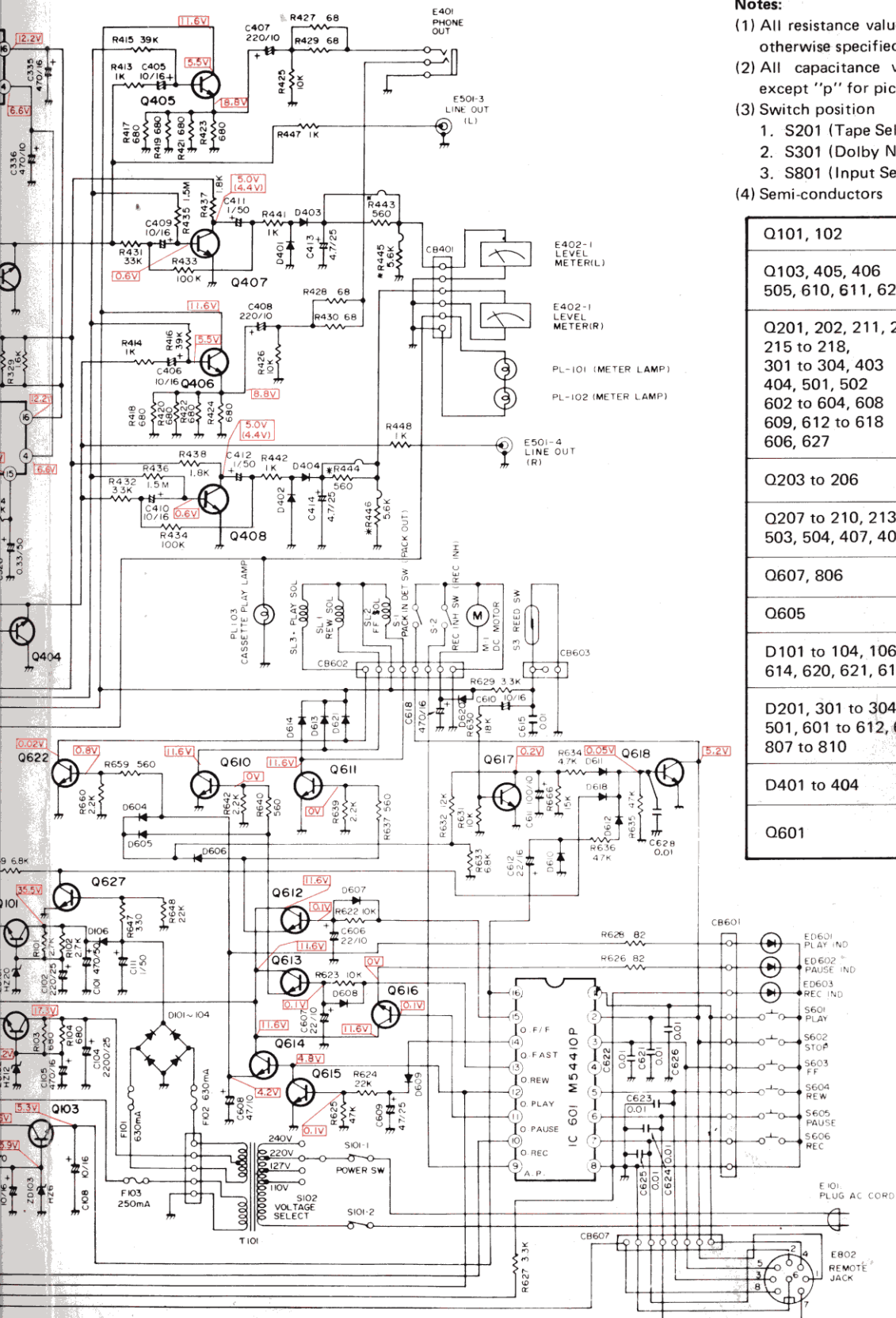
665DM



 **SCOTT**[®]
The Name to listen to.

Schematic Diagram (For European Model)





Notes:

- (1) All resistance values are indicated in ohm and 1/4 watt unless otherwise specified. (K = 1.000, M = 1.000.000)
- (2) All capacitance values are indicated in microfarads (µF) except "p" for picofarads. (P = 1.000.000 µF)
- (3) Switch position
 - 1. S201 (Tape Select): Metal
 - 2. S301 (Dolby NR/MPX Filter): (NR, MPX OFF Position)
 - 3. S801 (Input Select): Line
- (4) Semi-conductors

Q101, 102	2SD880/2SD235
Q103, 405, 406 505, 610, 611, 622	2SC1318
Q201, 202, 211, 212 215 to 218, 301 to 304, 403 404, 501, 502 602 to 604, 608 609, 612 to 618 606, 627	2SC1815/2SC1684
Q203 to 206	2SC1980/2SC1890
Q207 to 210, 213, 214 503, 504, 407, 408	2SC900/2SC732
Q607, 806	2SA733
Q605	2SA777
D101 to 104, 106, 613 614, 620, 621, 617	1N4003/10E2
D201, 301 to 304 501, 601 to 612, 618 807 to 810	1S1555/MA165TA
D401 to 404	1N60
Q601	2SB788/2SA921U/ 2SA921R

IC601

Pin No.	Voltage	Pin No.	Voltage
1	5.2V	10	0.1V
2	5.2V	11	(4.8V)
3	5.2V	11	0.1V
4	-	12	4.8V
5	5.2V	13	0.1V
6	5.2V	14	0.1V
7	5.2V	15	0.1V
8	-	16	5.3V