

**Service Manual
Stereo Cassette Decks**

Handwritten notes:
3
5
69
195
of which

675DM



 **SCOTT**[®]
The Name to listen to.

Contents

Specifications	2
Parts Location and Disassembly Instructions	3 to 5
Adjustment Procedures	5 to 6
Adjustment Locations	7
Block Diagram	8
Printed Circuit Boards	8 to 12
Wiring Diagram	13 to 14
Schematic Diagram (For U.S.A. Model Only)	15 to 16
Schematic Diagram (For European Model Only)	17 to 18
Exploded View (General)	19 to 20
Exploded View (Mechanism)	21 to 22
Semi-Conductor Lead Identifications	23
Packing Method	23
Parts List	24 to 32

Specifications

Type	4-track, 2-channel/stereo cassette deck, front loading vertical type
Power Consumption25W
Power Source	120V, 60 Hz AC (For U.S.A. Model) 110/127/220/240V, 50/60 Hz AC (For European Model)
Tape Speed	4.76cm/sec. $\pm 2\%$
Wow & Flutter	0.09% (JIS WRMS)
Fast Forward/Rewind Time	100 sec. Maximum (C-60)
Distortion	2% Maximum
Frequency Response	31.5 Hz \sim 14 KHz
Signal to Noise Ratio	57 dB (Dolby*NR OFF)
Record/Playback Head	Hi-B Hard Permalloy Core
Erase Head	Double Gaps Ferrite Core
Input Sensitivity	Line: 300mV, Mic: 3mV Din: 1mV/K Ω (For European Model)
Output Level	Line: 500mV ± 1.5 dB/100K ohm Headphone: 50mV/8 ohm
Semiconductors	5 ICs, 59 Transistors, 36 Diodes, 4 Zener Diodes (For U.S.A. Model) 5 ICs, 62 Transistors, 39 Diodes, 4 Zener Diodes (For European Model)
Dimensions	430(W) x 106(H) x 253(D) mm
Weight	4.8kg

* Noise reduction circuit is made under licence from Dolby Laboratories. The word "Dolby" and Double-D symbol are trademarks of Dolby Laboratories.

Parts Locations and Disassembly Instruction

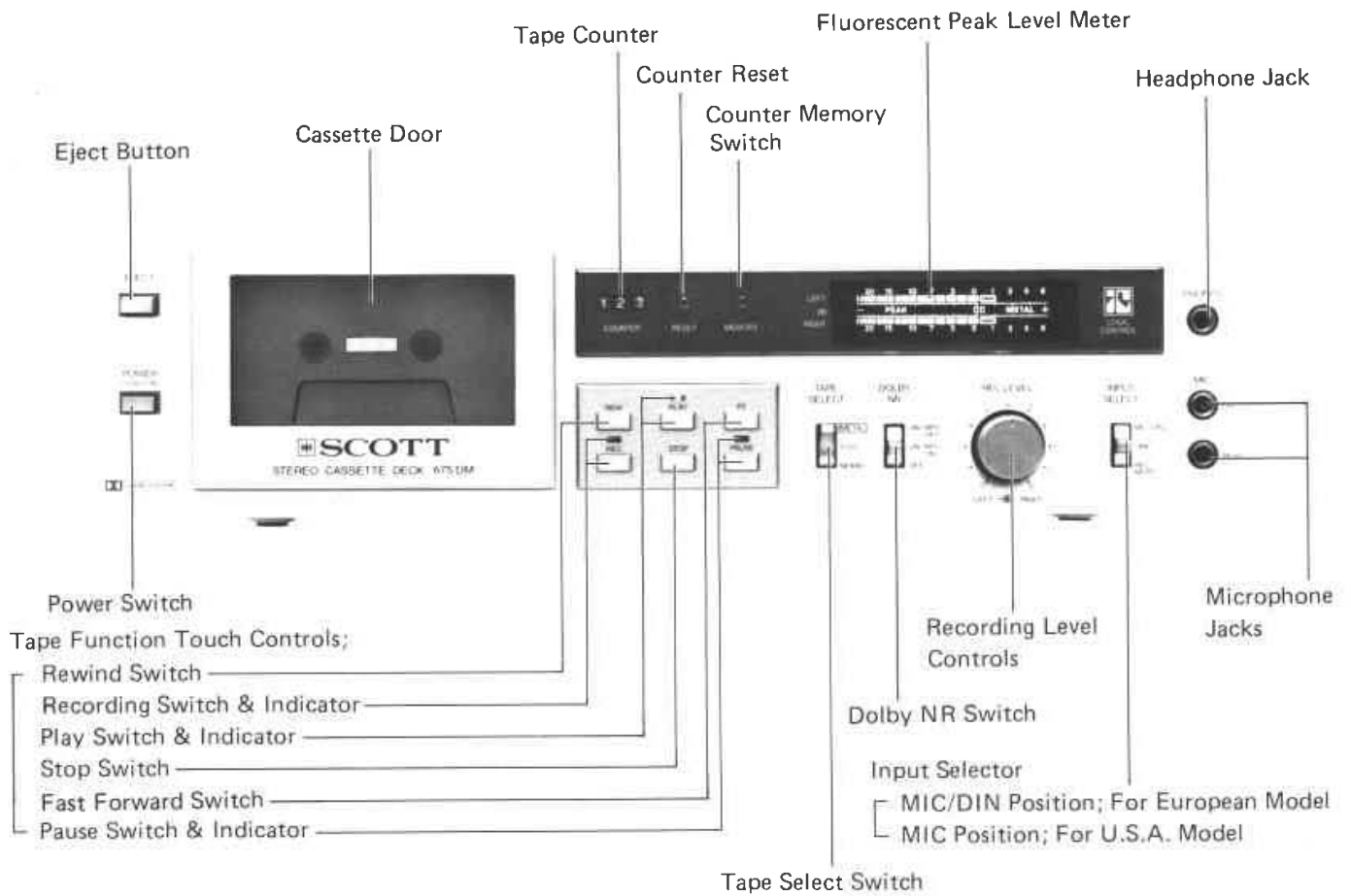


Figure 1

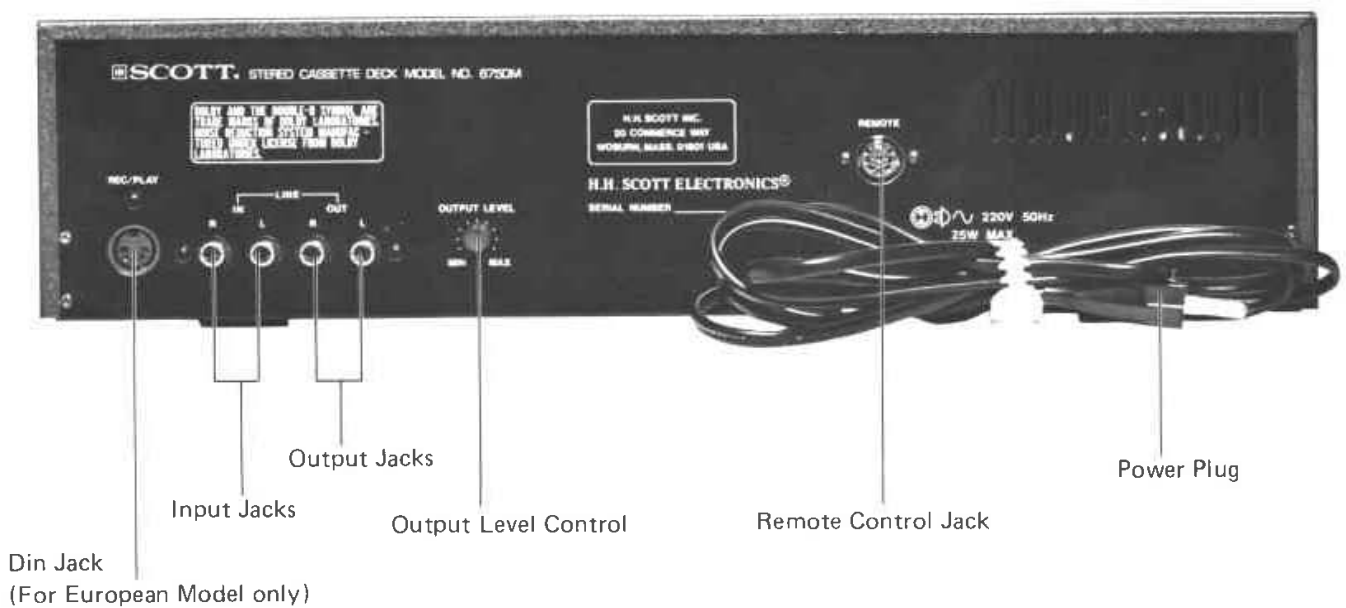


Figure 2

1. Removal of Top Cover

- (1) Remove six screws marked "▲" as shown in Figure 3 and 4.

2. Removal of Front Panel

- (1) Remove four knobs as shown in Figure 3.
- (2) Remove six screws marked "●" as shown in Figure 5 and 7.
- (3) Remove the cassette door in the direction of the arrow as shown in Figure 4.
- (4) Disconnect all wires from the front panel.

3. Removal of Rear Cover

- (1) Remove seven screws marked "■" as shown in Figure 7.
- (2) Remove three tacks marked "※" and "☆" as shown in Figure 7. (For European model)
- (3) Remove two tacks marked "※" as shown in Figure 7. (For U.S.A. model)
- (4) The rear cover can be completely removed.

4. Removal of Master P.C. Board

- (1) Remove nine screws marked "○" as shown in Figures 5 and 6.
- (2) Disconnect all wires from the P.C. Board.

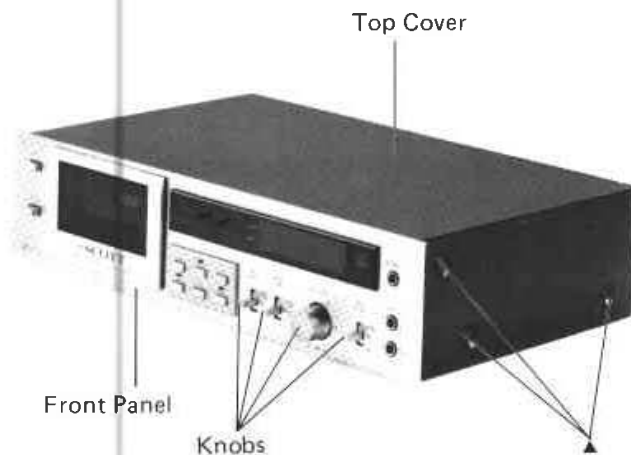


Figure 3

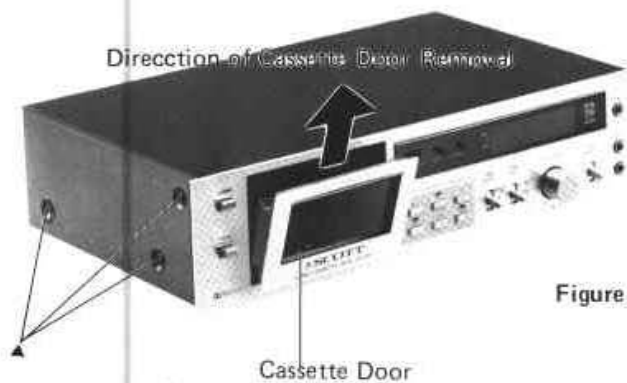


Figure 4

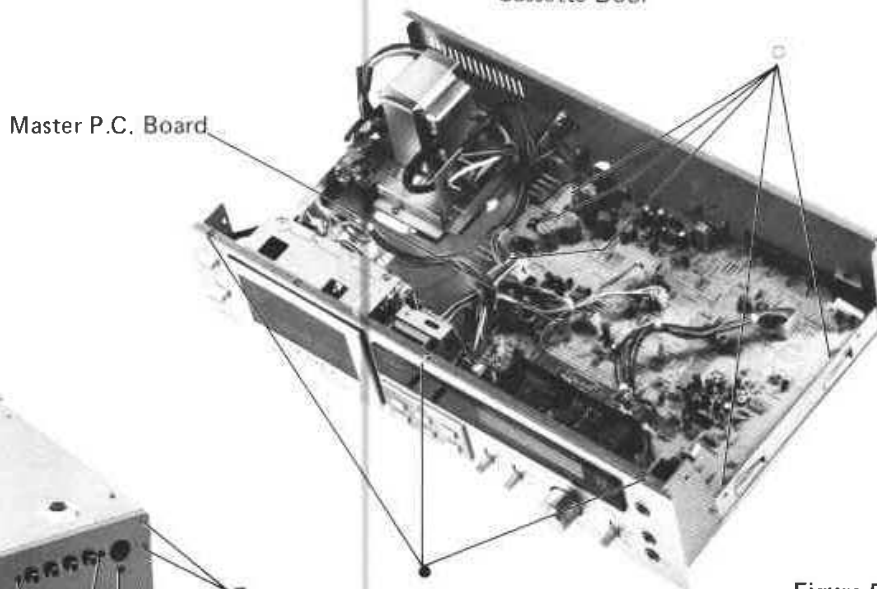


Figure 5

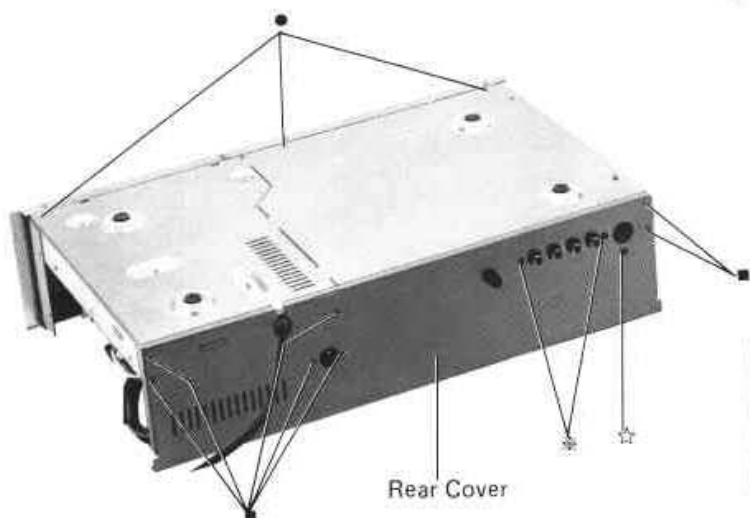


Figure 7

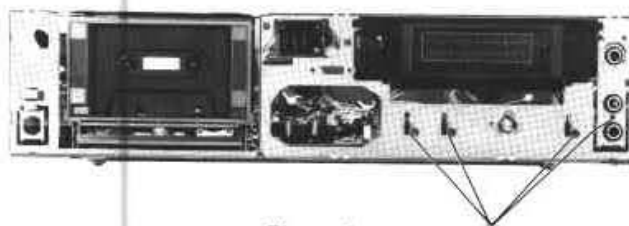


Figure 6

5. Removal of Power Supply Assembly

- (1) Remove the power switch lever as shown in Figure 8.
- (2) Remove two screws marked "△" as shown in Figure 8.
- (3) Disconnect all wires from the power supply assembly.

6. Removal of Cassette Deck

- (1) Remove four screws marked "□" as shown in Figure 9.
- (2) Remove the counter belt from the tape counter.
- (3) Disconnect all wires from the cassette deck.

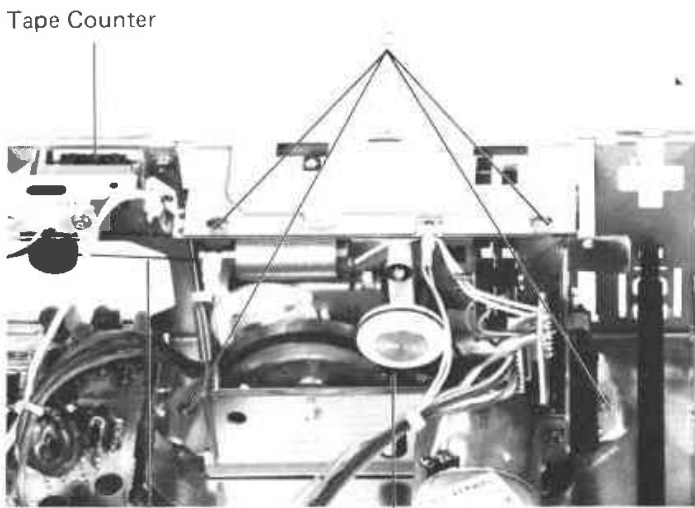


Figure 9

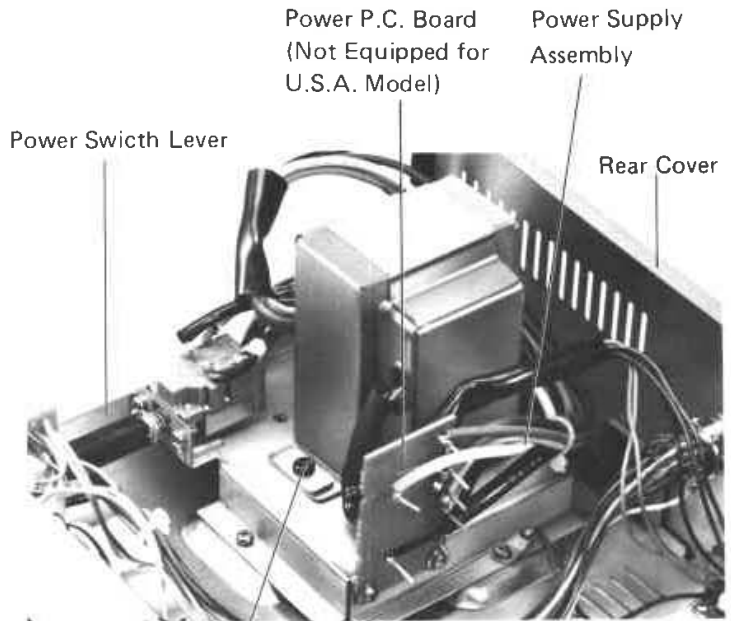


Figure 8

Adjustment Procedures

STEP	DESCRIPTION	MODE (SWITCH)	ADJUST POINTS	TEST POINTS	CONNECTION INSTRUCTION	REMARKS
1	Head Azimuth Adjustment	Play EQ: Nor. NR: Off	Head Azimuth Screw (Figure 11)	Line Out	Figure 10	Test Tape: MTT-114 Adjust for Maximum
2	Playback Level Adjustment	Play EQ: Nor. NR: Off	VR201 VR202	Line Out	Figure 10	Test Tape: MTT-150 Test Point Output: 500mV

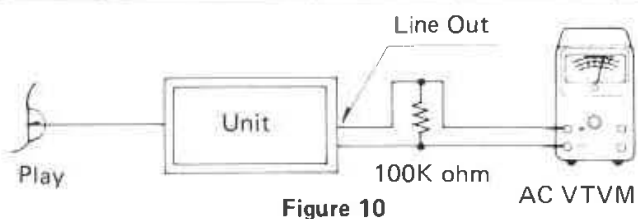


Figure 10

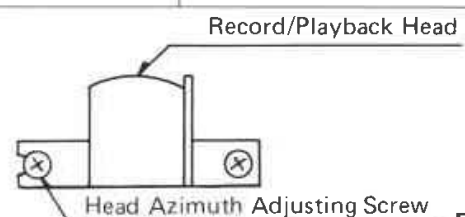


Figure 11

STEP	DESCRIPTION	MODE (SWITCH)	ADJUST POINTS	TEST POINTS	CONNECTION INSTRUCTIONS	REMARKS	
3	1	Input Adjustment	Record Tape Select : Nor. NR: Off	VR503-1 VR503-2	Line Out	Figure 12	Line Input: 1 KHz, 300mV Line Output: 500mV
	2	Level Meter Adjustment (0 dB)	Record Tape Select : Nor. NR: Off	VR851 VR852	Level Meter Reading	Figure 12	Line Input: 1 KHz, 300mV Adjust for 0 dB
	3	Level Meter Adjustment (-20 dB)	Record Tape Select : Nor. NR: Off	VR853 VR854	Level Meter Reading	Figure 12	Line Input: 1 KHz, 30mV Adjust for -20 dB
4	Recording Current Adjustment	Record Tape Select : Nor. NR: Off	VR501 VR502	T.P.1 T.P.2	Figure 14	Bias: Cut (Disconnect wire A) Line Input: See Step 3-1 Test Point Output: 4.5mV	
5	Recording Bias Adjustment	Record EQ: Nor. NR: Off	TC501-1 TC501-2	T.P.1 T.P.2	Figure 13	Input: Non Test Point Output: 35mV	

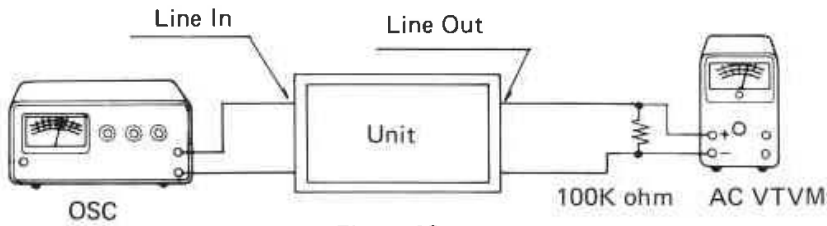


Figure 12

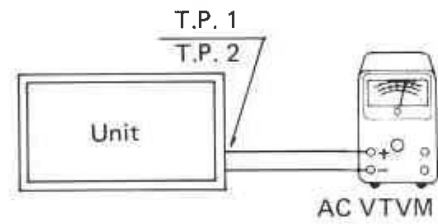


Figure 13

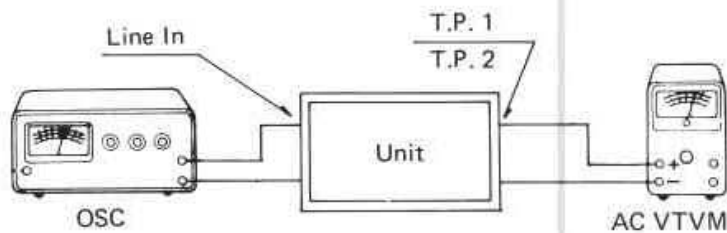


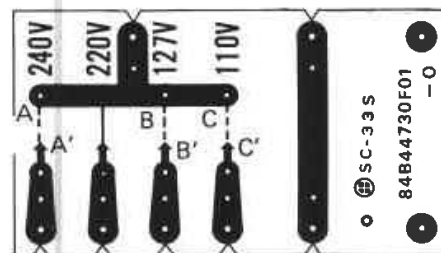
Figure 14

Voltage Conversion for European Model

This unit is not equipped with a voltage selector switch and has been already set up at the factory to be acceptable for 220V/50 Hz. In the areas where the regulated voltage has adopted 110, 127 or 240V except 220V, the power supply circuit of this unit should be changed to be acceptable for a suitable voltage.

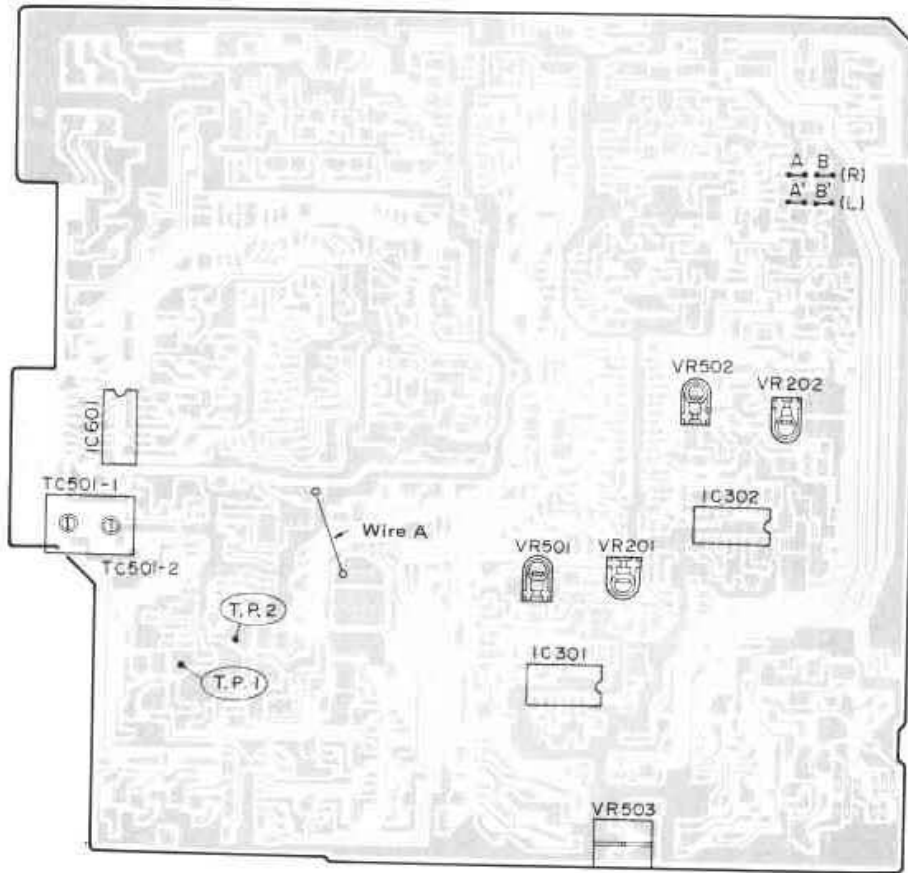
Procedures:

Connect two points between A to A' for 240V, B to B' for 127V and C to C' for 110V on the power select P.C. Board using a jumper wire and a soldering iron.

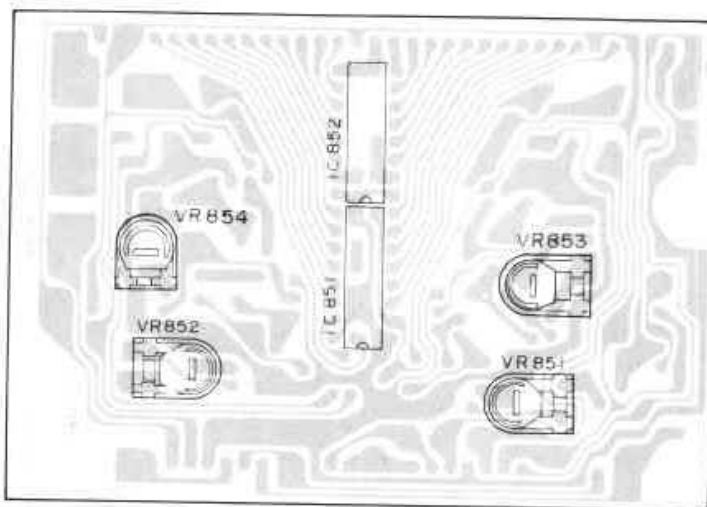


Power Select P.C. Board (For European Model)

Adjustment Locations

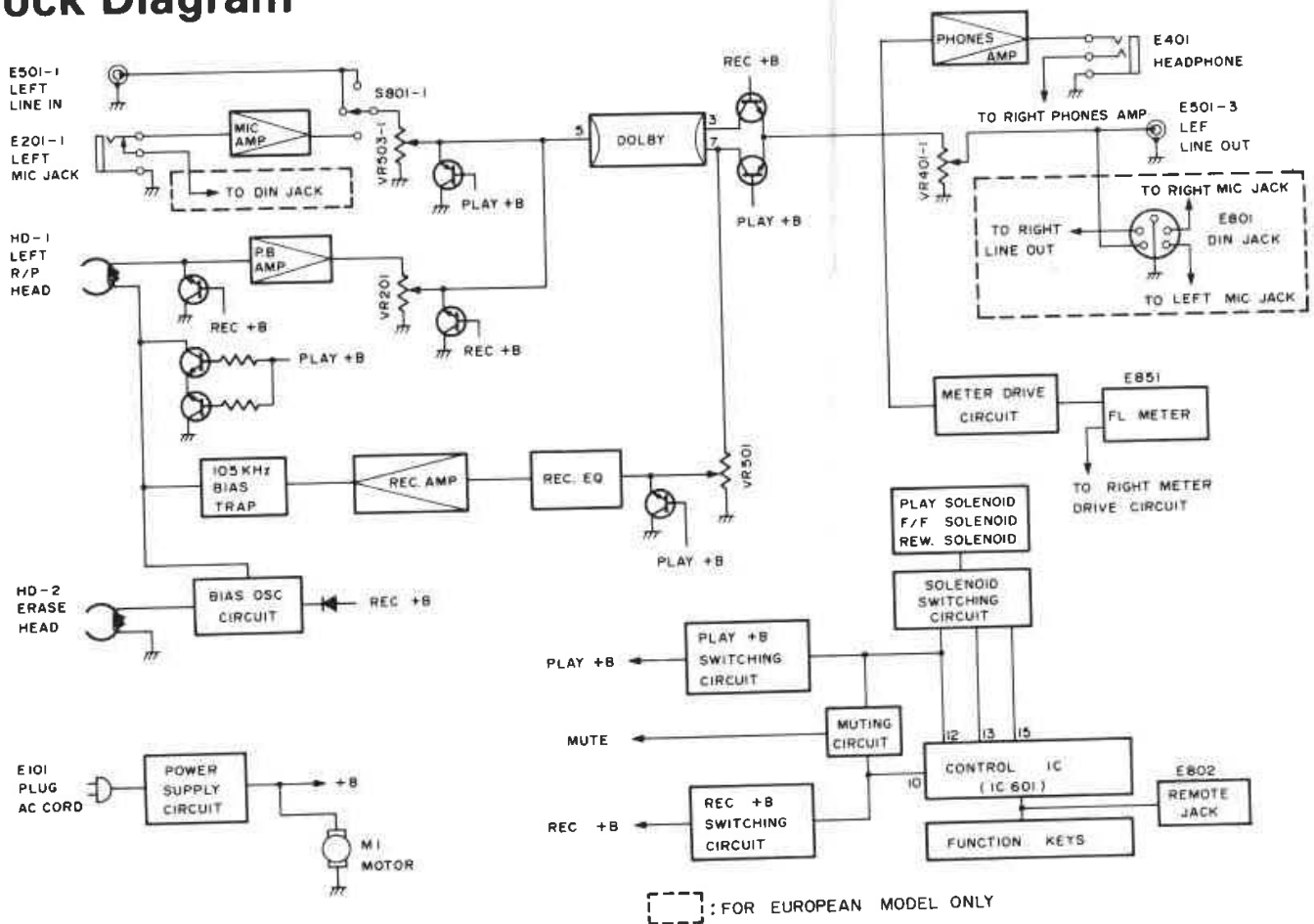


Master P.C. Board



FL Meter P.C. Board

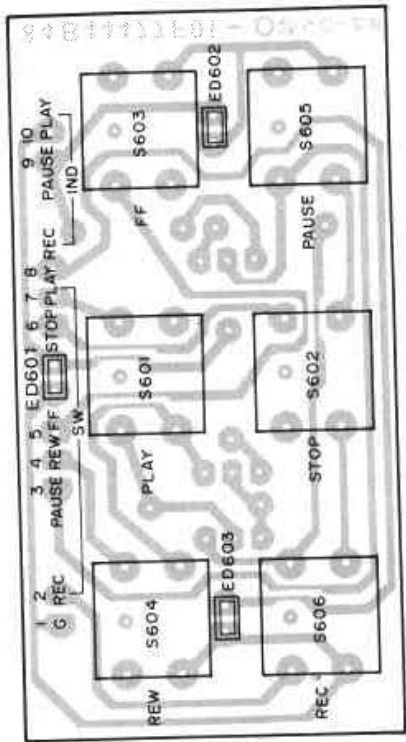
Block Diagram



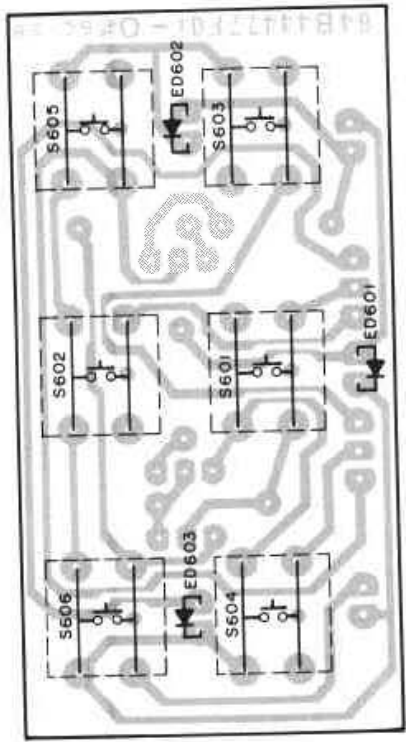
⎓ : FOR EUROPEAN MODEL ONLY

Printed Circuit Boards

Key Board P.C. Board

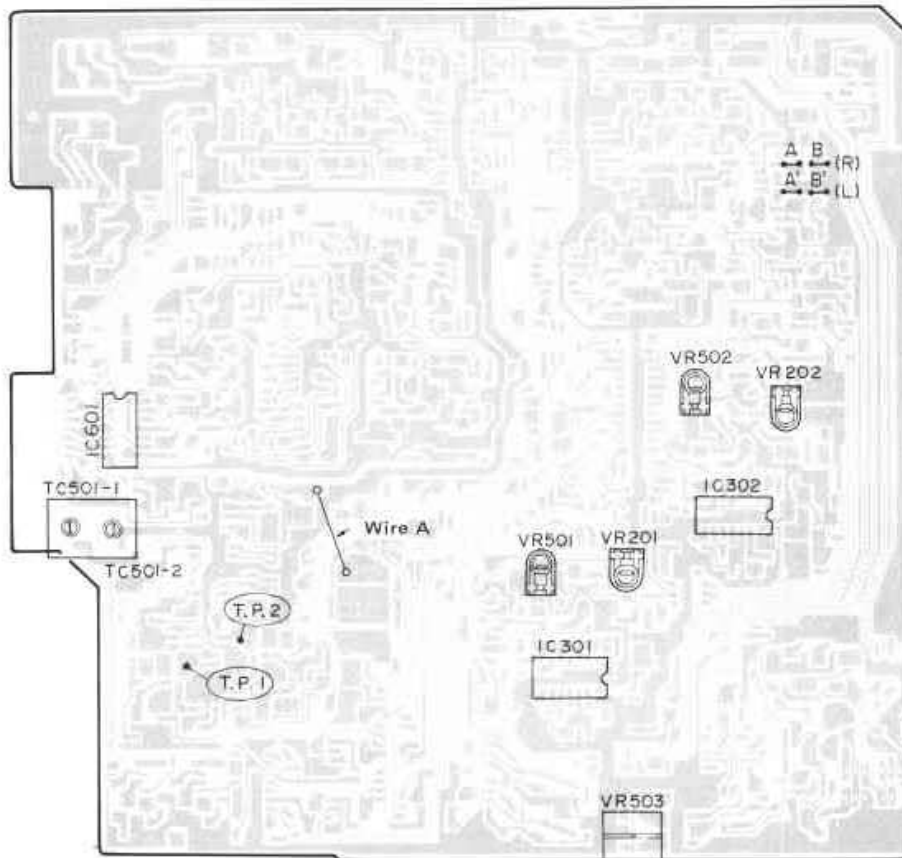


Top View

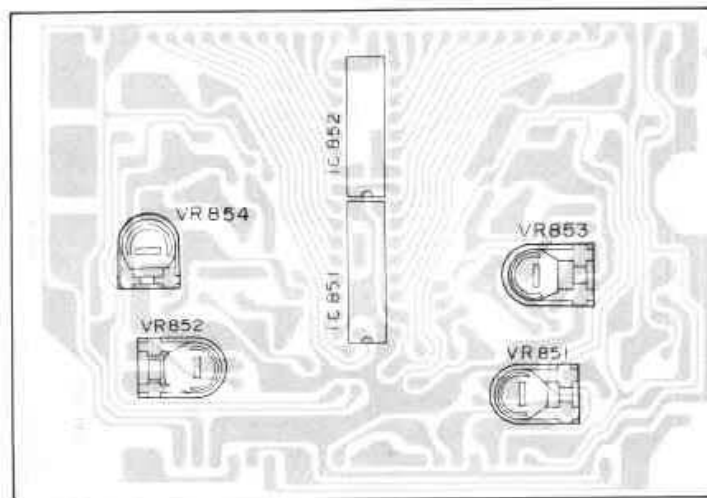


Bottom View

Adjustment Locations

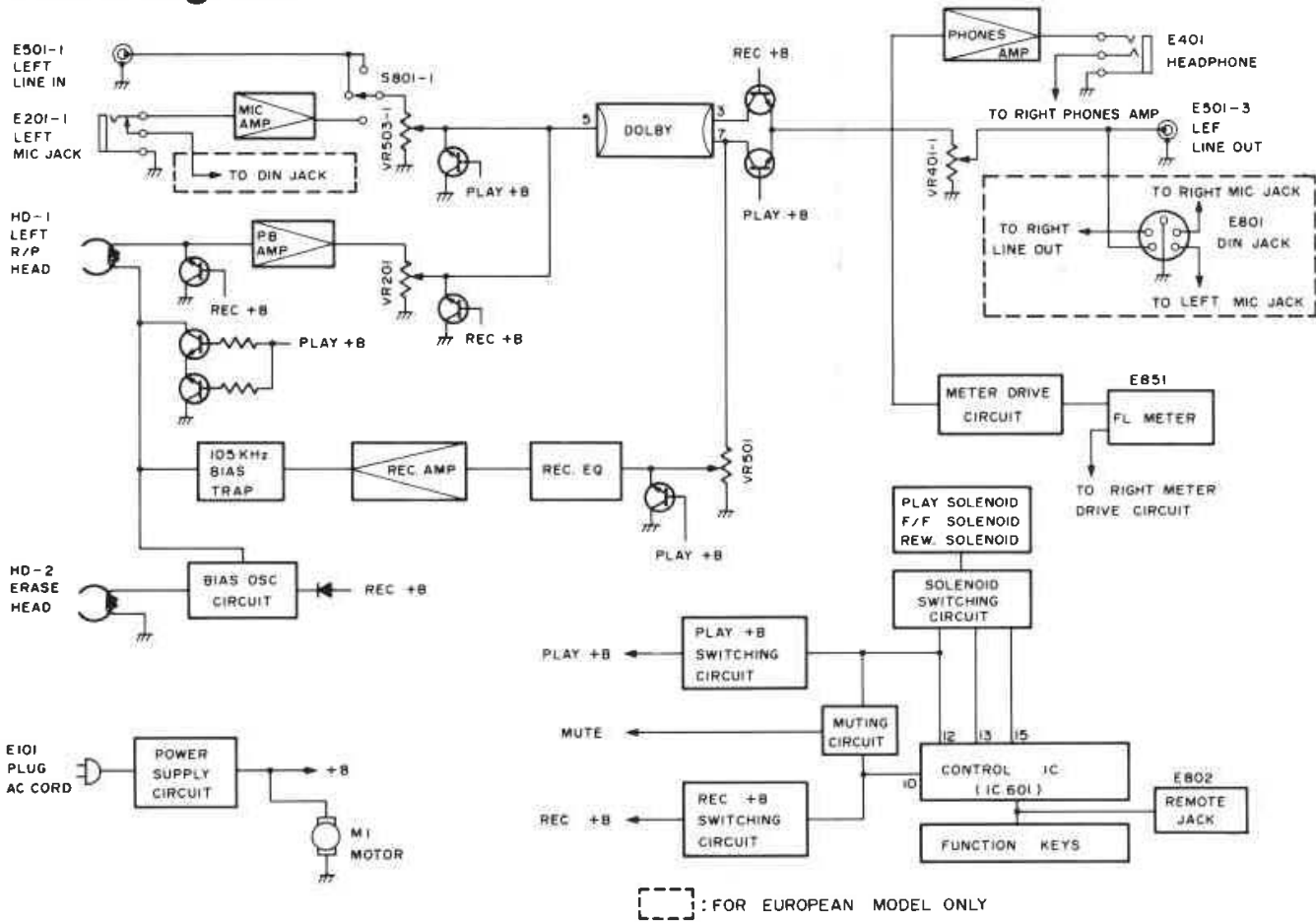


Master P.C. Board



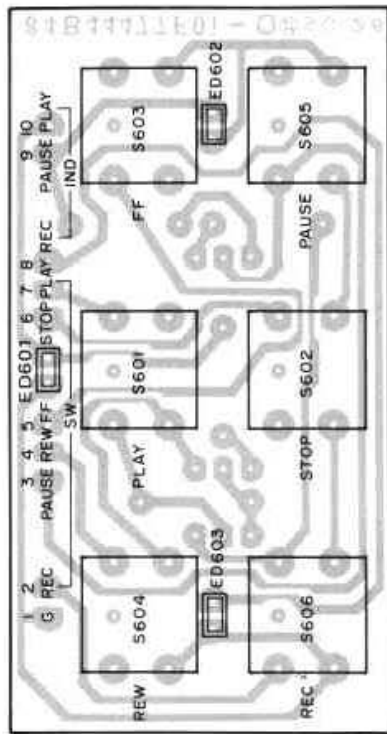
FL Meter P.C. Board

Block Diagram

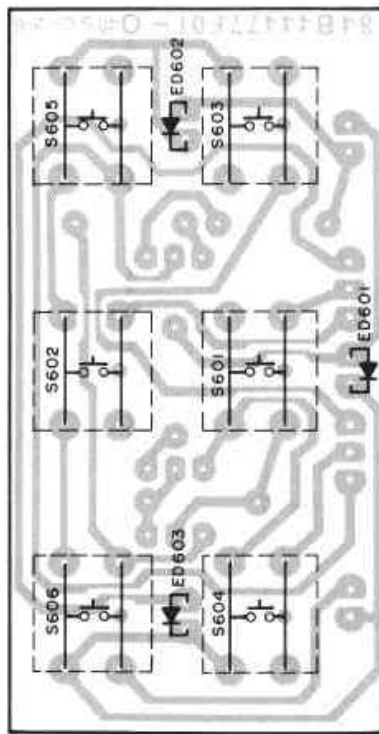


Printed Circuit Boards

Key Board P.C. Board



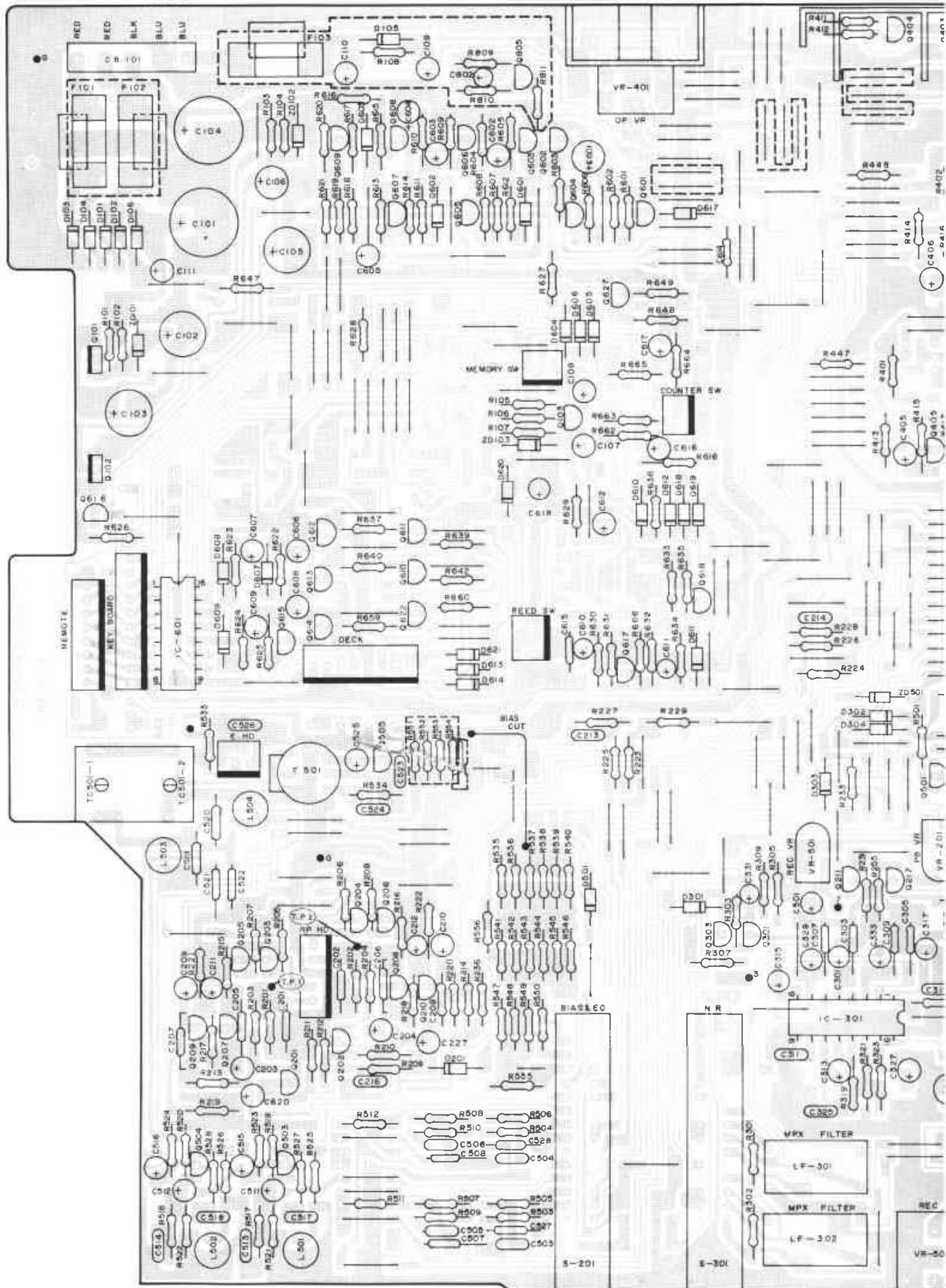
Top View



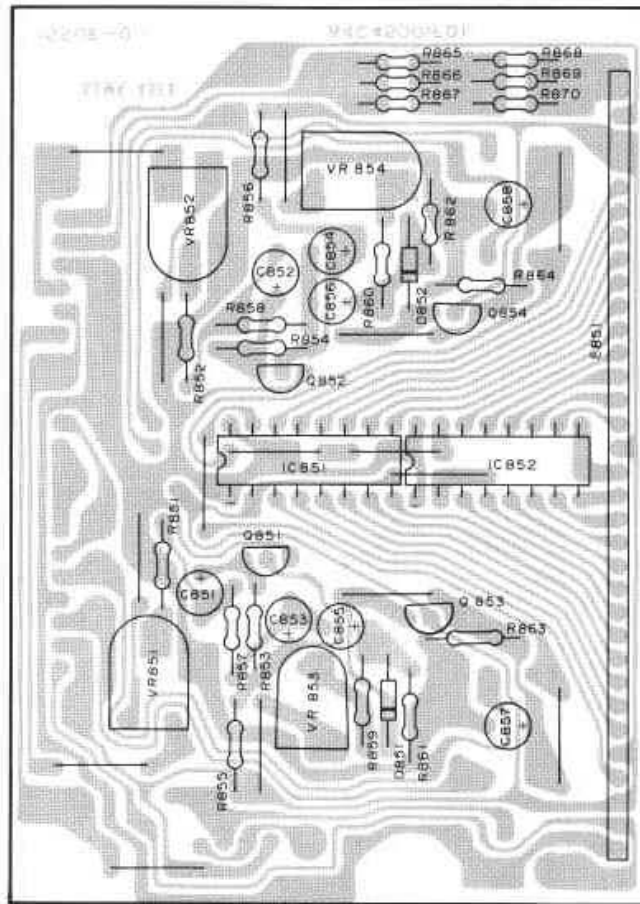
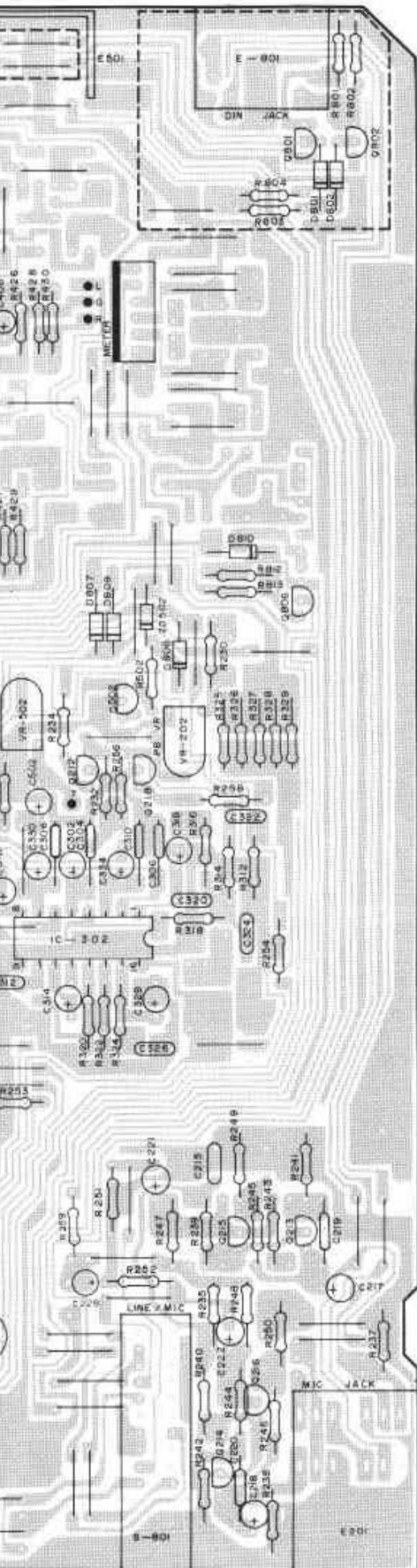
Bottom View

Master P.C. Board

FOR EUROPEAN MODEL ONLY

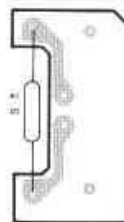


FL Meter P.C. Board

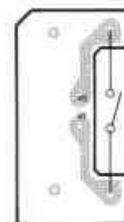


Top View

Reed Switch P.C. Board

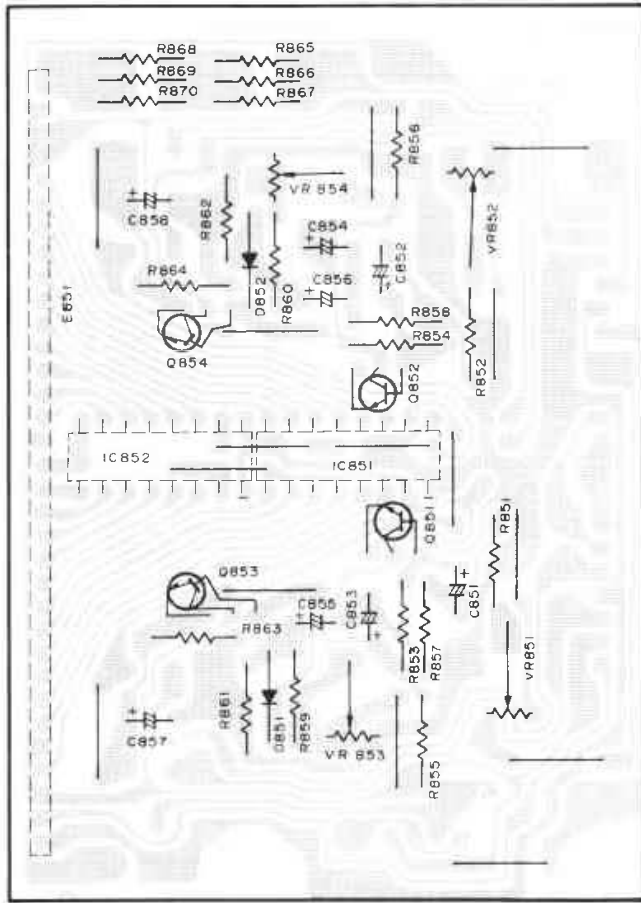


Top View



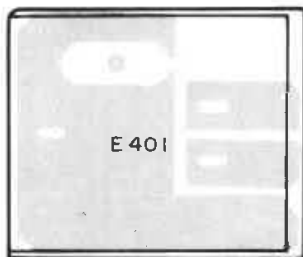
Bottom View

FL Meter P.C. Board

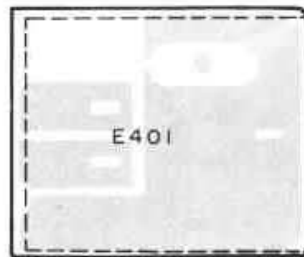


Bottom View

Headphone P.C. Board



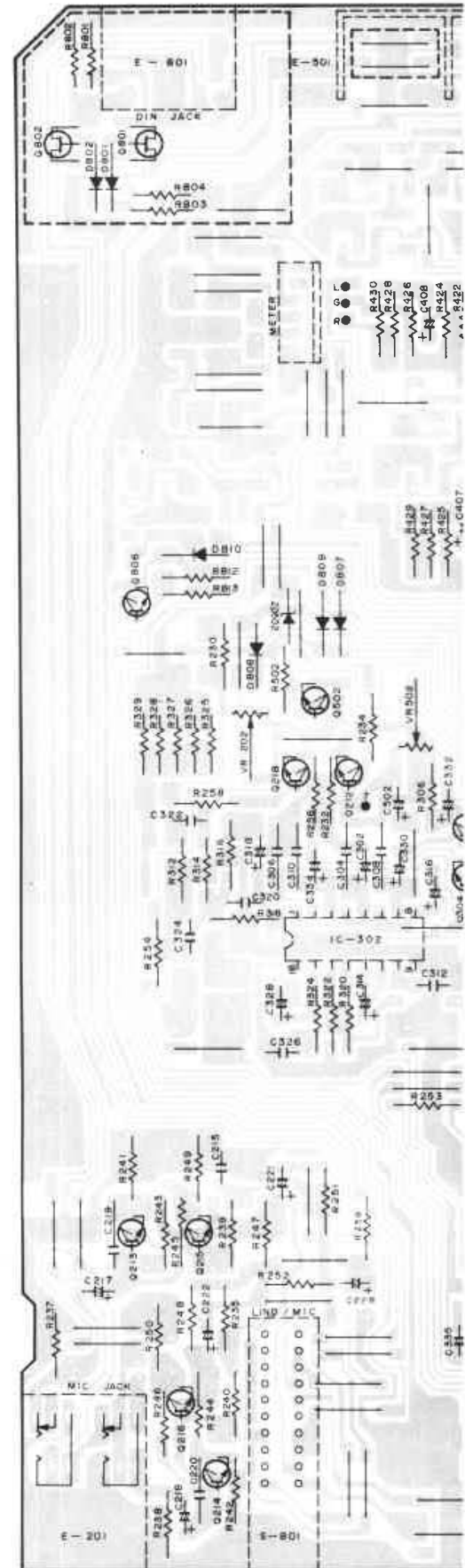
Top View

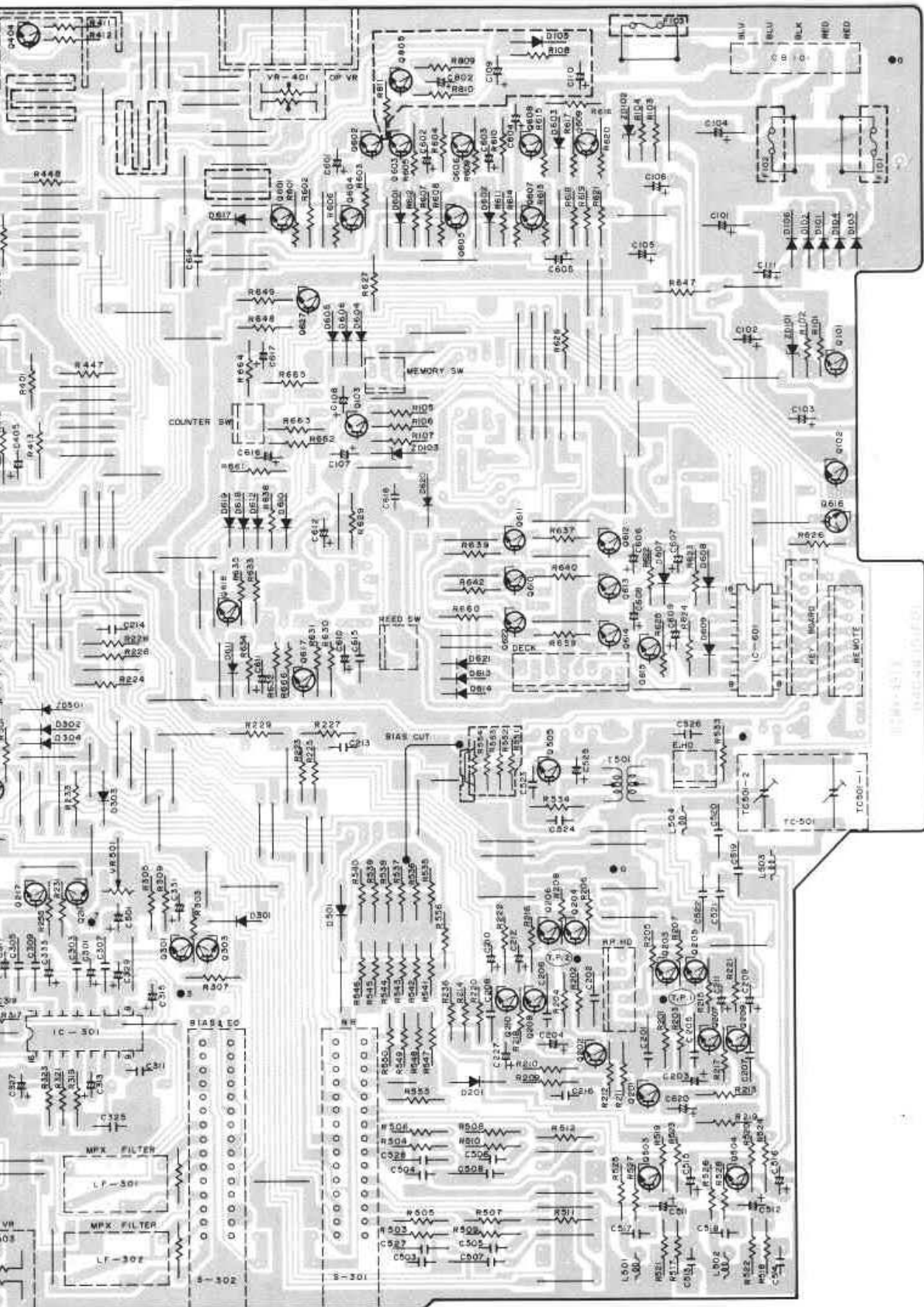


Bottom View

Master P.C. Board

FOR EUROPEAN MODEL ONLY

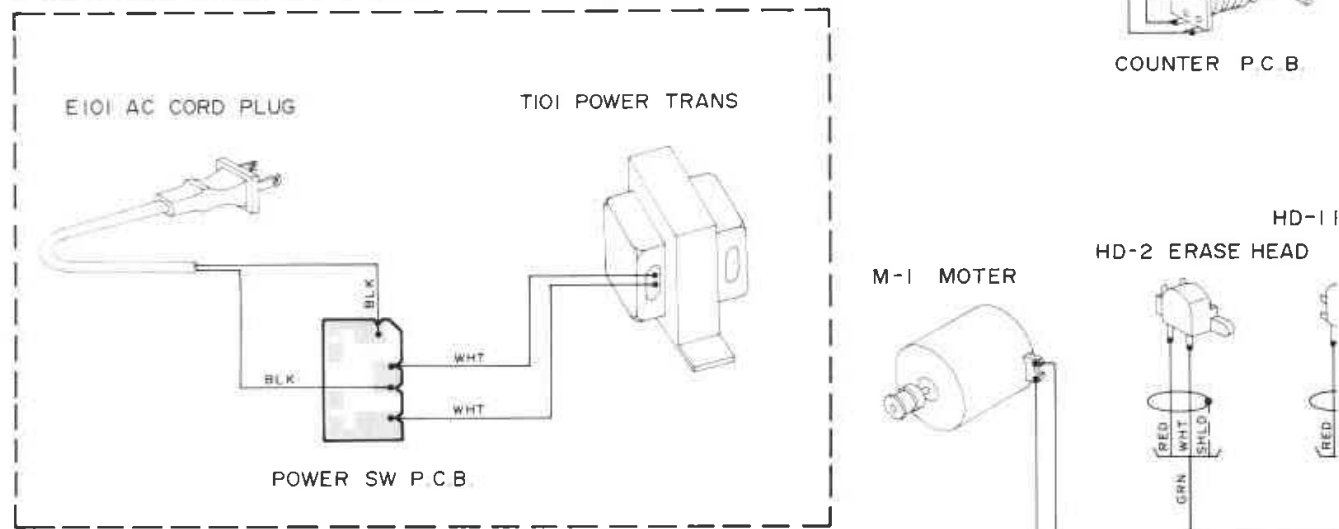
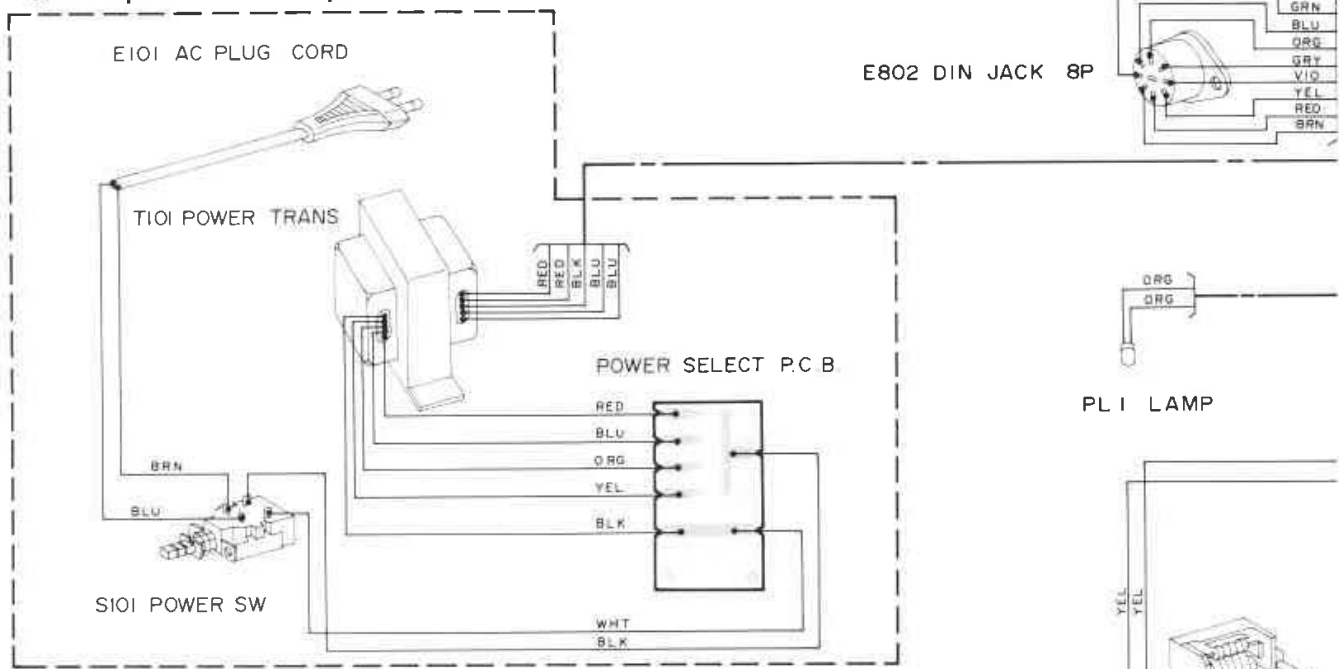




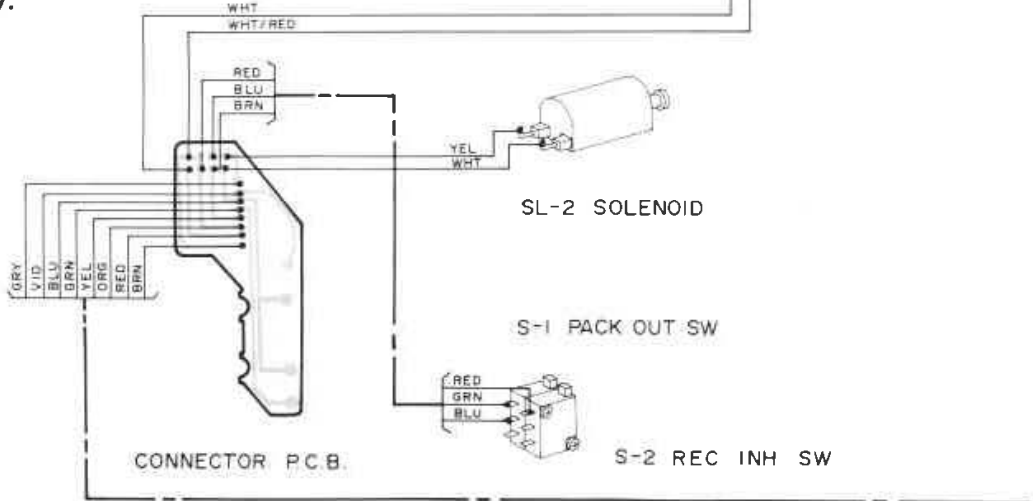
Bottom View

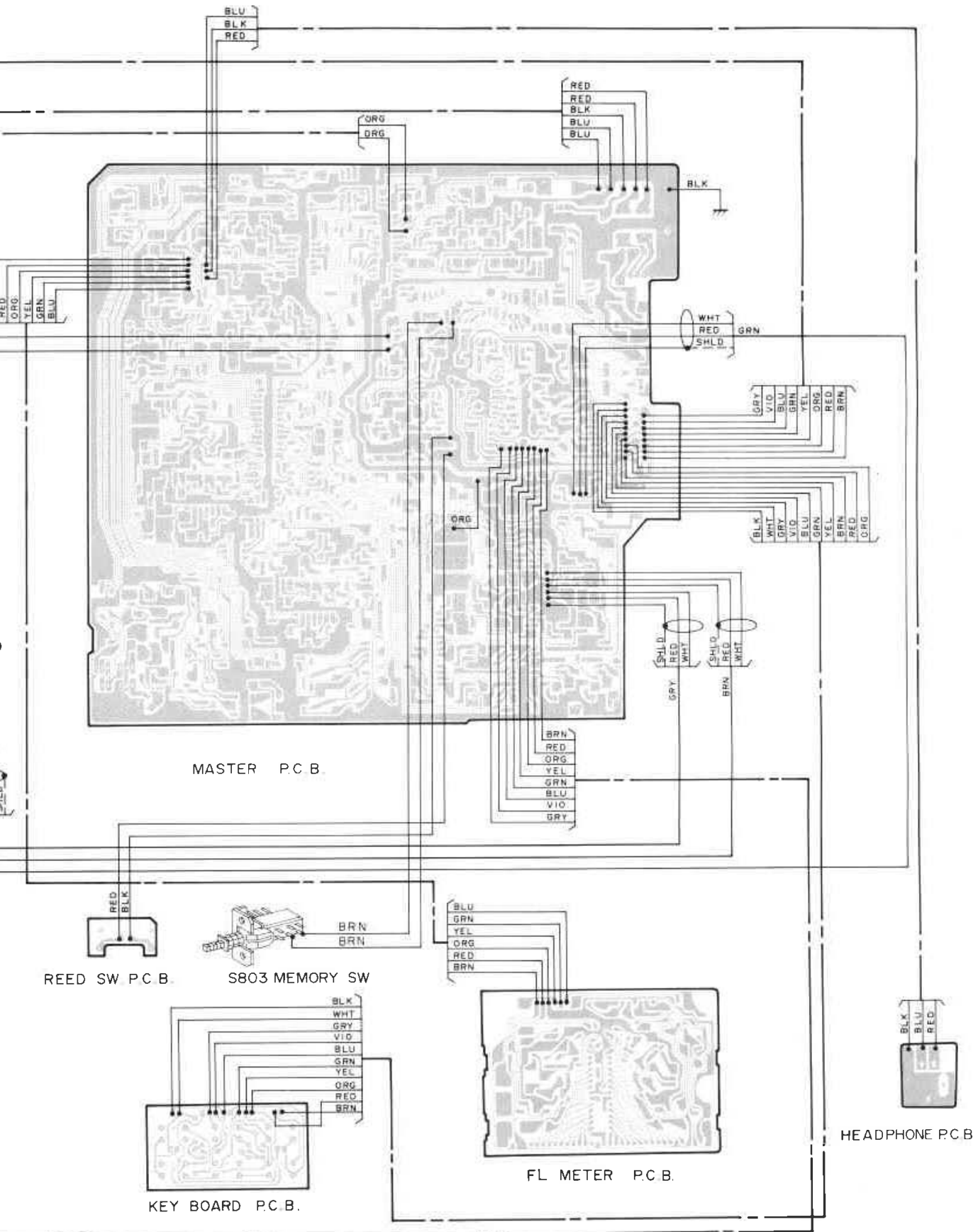
Wiring Diagram

For European Model only.



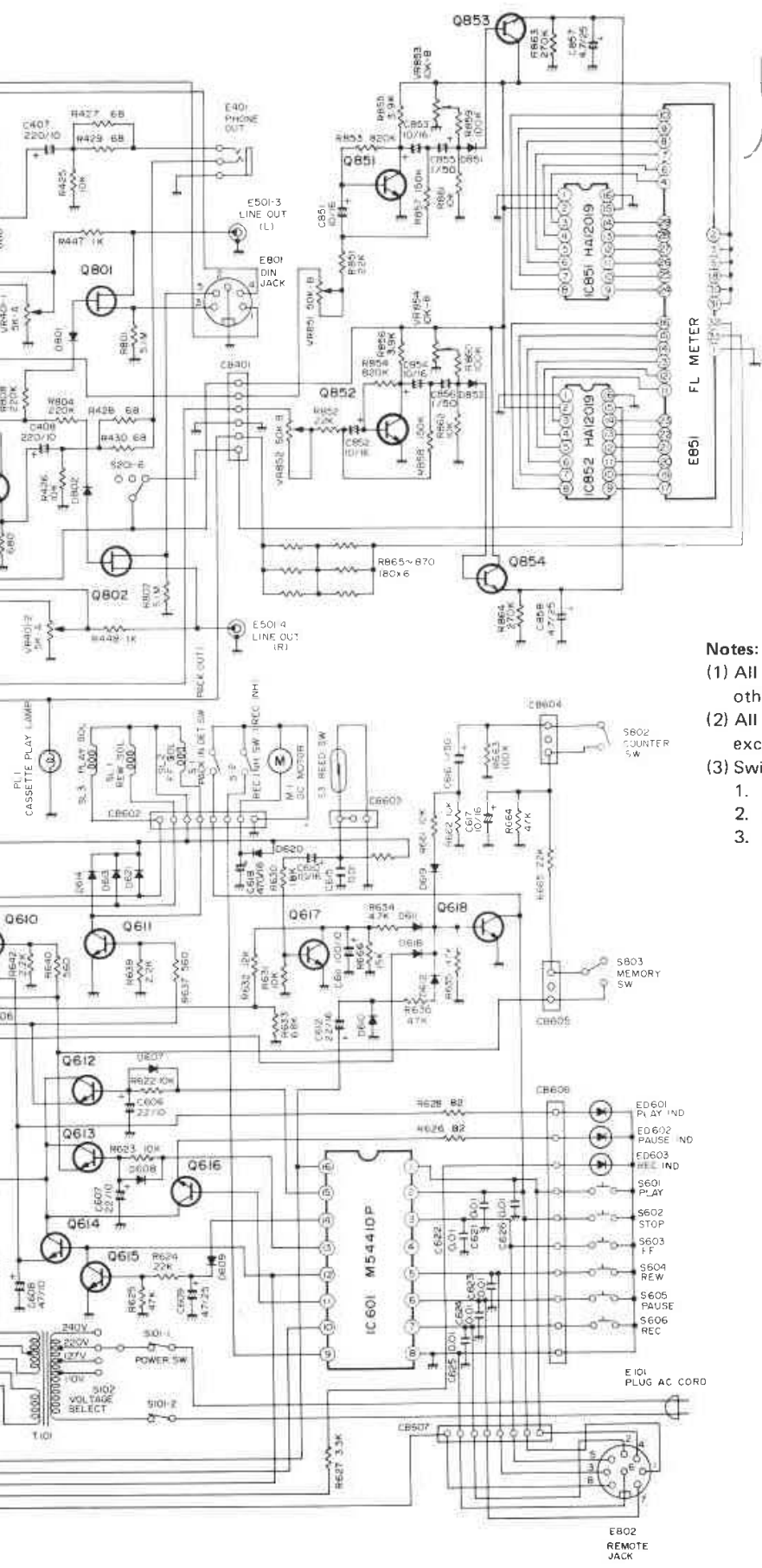
For U.S.A. Model only.





Moolif

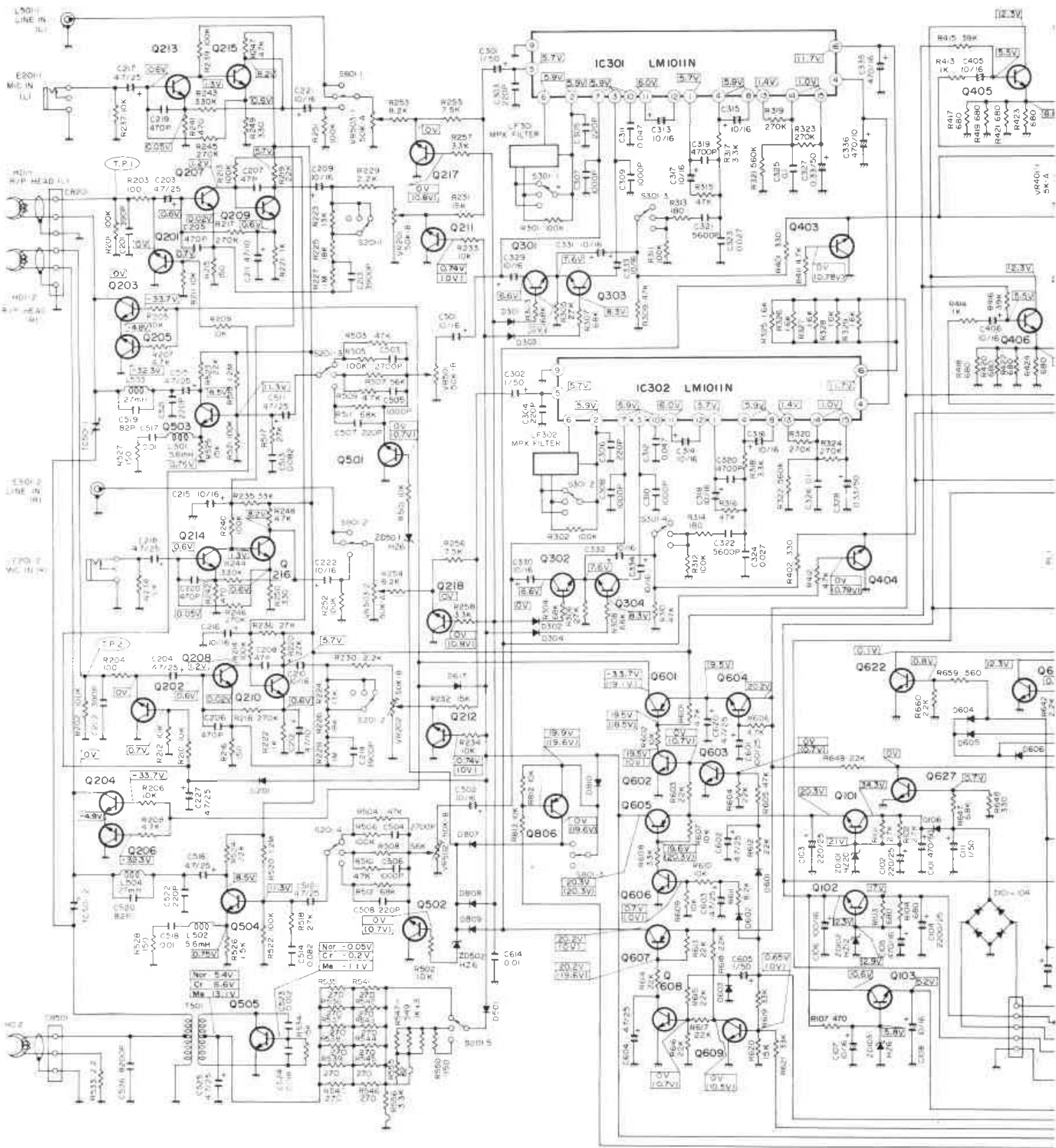
Mettre en parallele
1 Résistance de 33K Ω
sur R 621

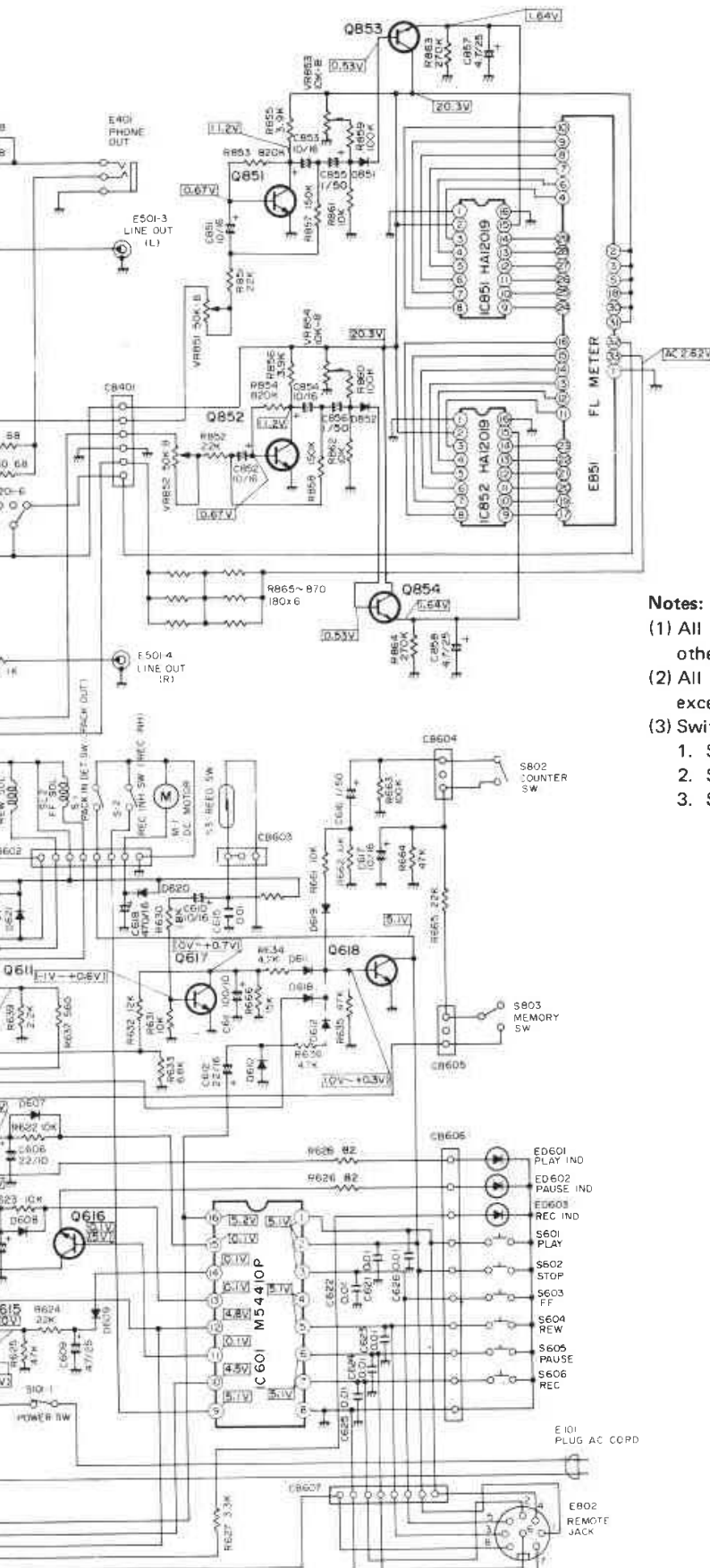


Notes:

- (1) All resistance values are indicated in ohm and 1/4 watt unless otherwise specified. (K = 1.000, M = 1.000.000)
- (2) All capacitance values are indicated in microfarads (μ F) except "p" for picofarads. (P = 1.000.000 μ F)
- (3) Switch position
 1. S201 (Tape Select): Metal
 2. S301 (Dolby NR/MPX Filter): (NR, MPX OFF Position)
 3. S801 (Input Select): Line

Schematic Diagram (For U.S.A. Model only)





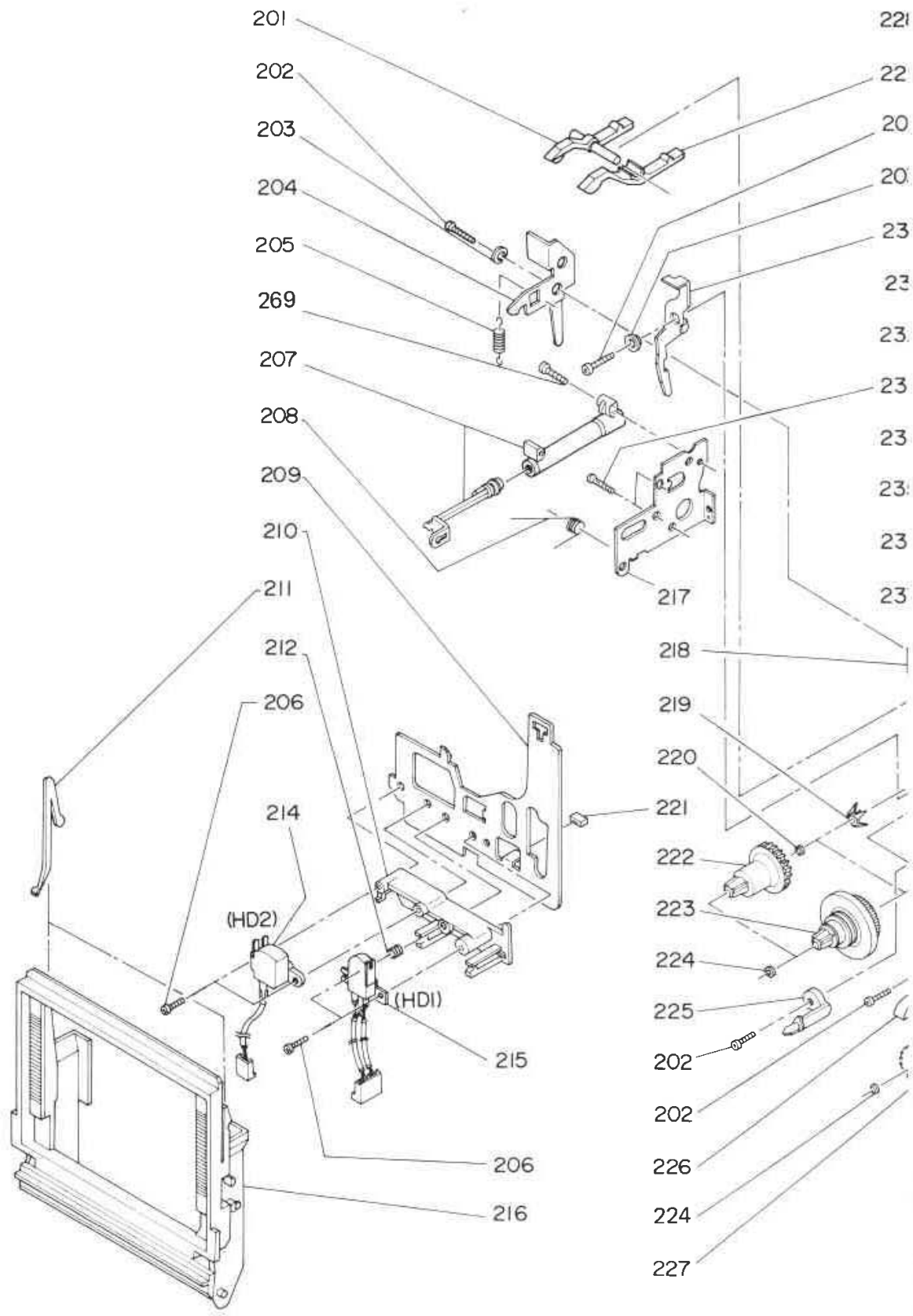
IC 851, 852

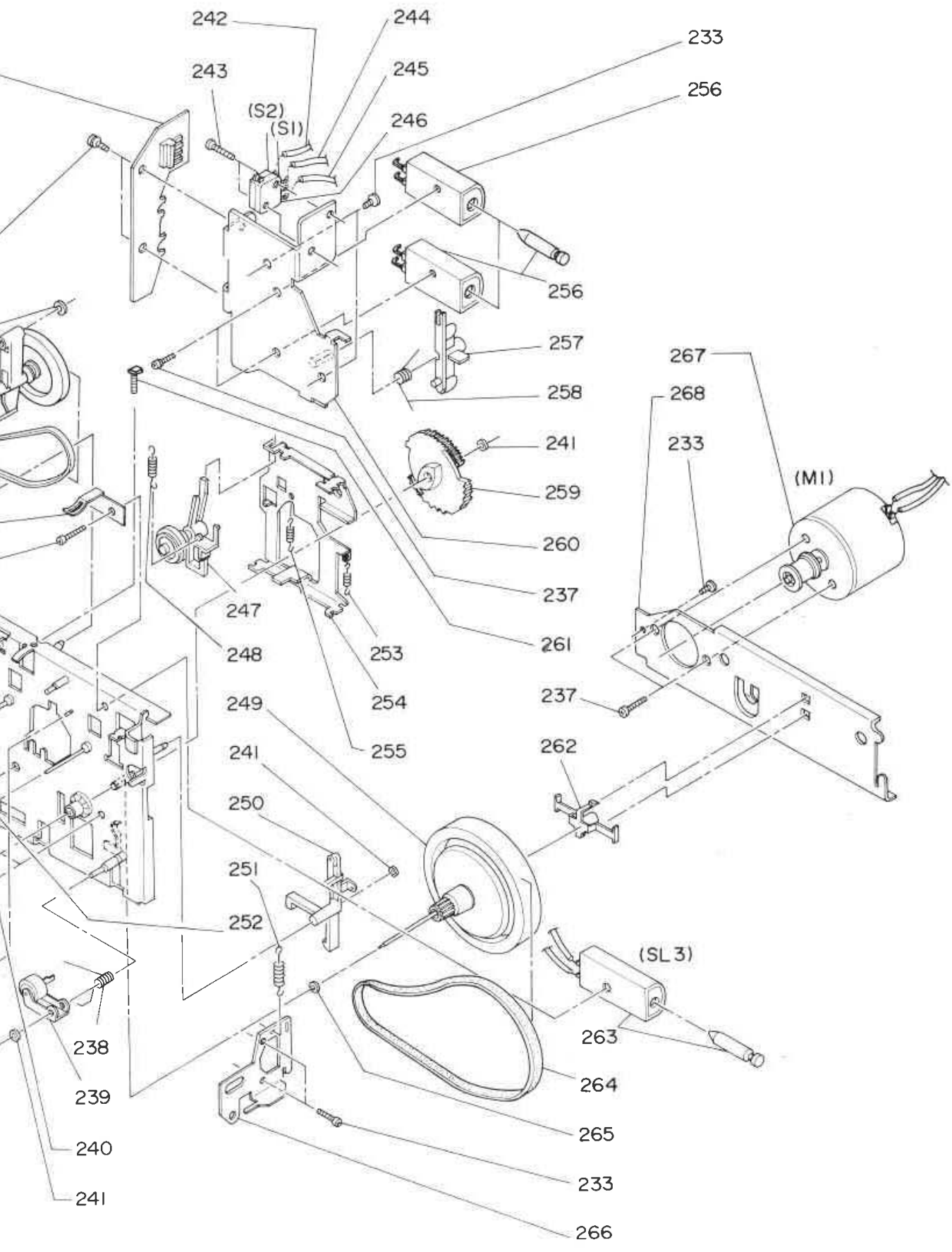
1	0	9	9.4V
2	1	10	9.4V
3	19.4V	11	-0.08V
4	19.4V	12	-0.08V
5	19.4V	13	-0.11V
6	19.4V	14	-0.14V
7	19.4V	15	-1.6V
8	19.4V	1E	S

Notes:

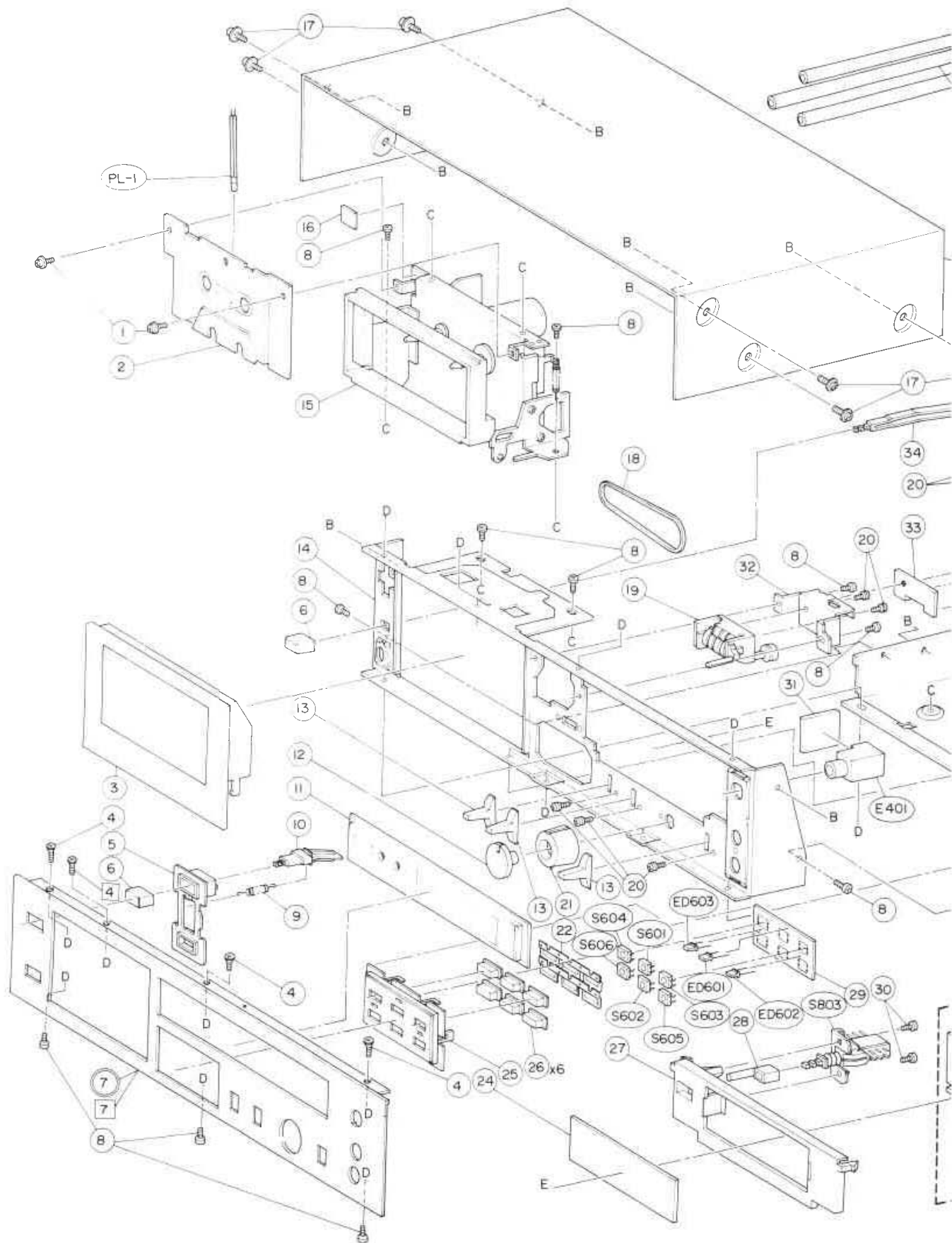
- (1) All resistance values are indicated in ohm and 1/4 watt unless otherwise specified. (K = 1.000, M = 1.000.000)
- (2) All capacitance values are indicated in microfarads (μF) except "p" for picofarads. (P = 1.000.000 μF)
- (3) Switch position
 1. S201 (Tape Select): Metal
 2. S301 (Dolby NR/MPX Filter): (NR, MPX OFF Position)
 3. S801 (Input Select): Line

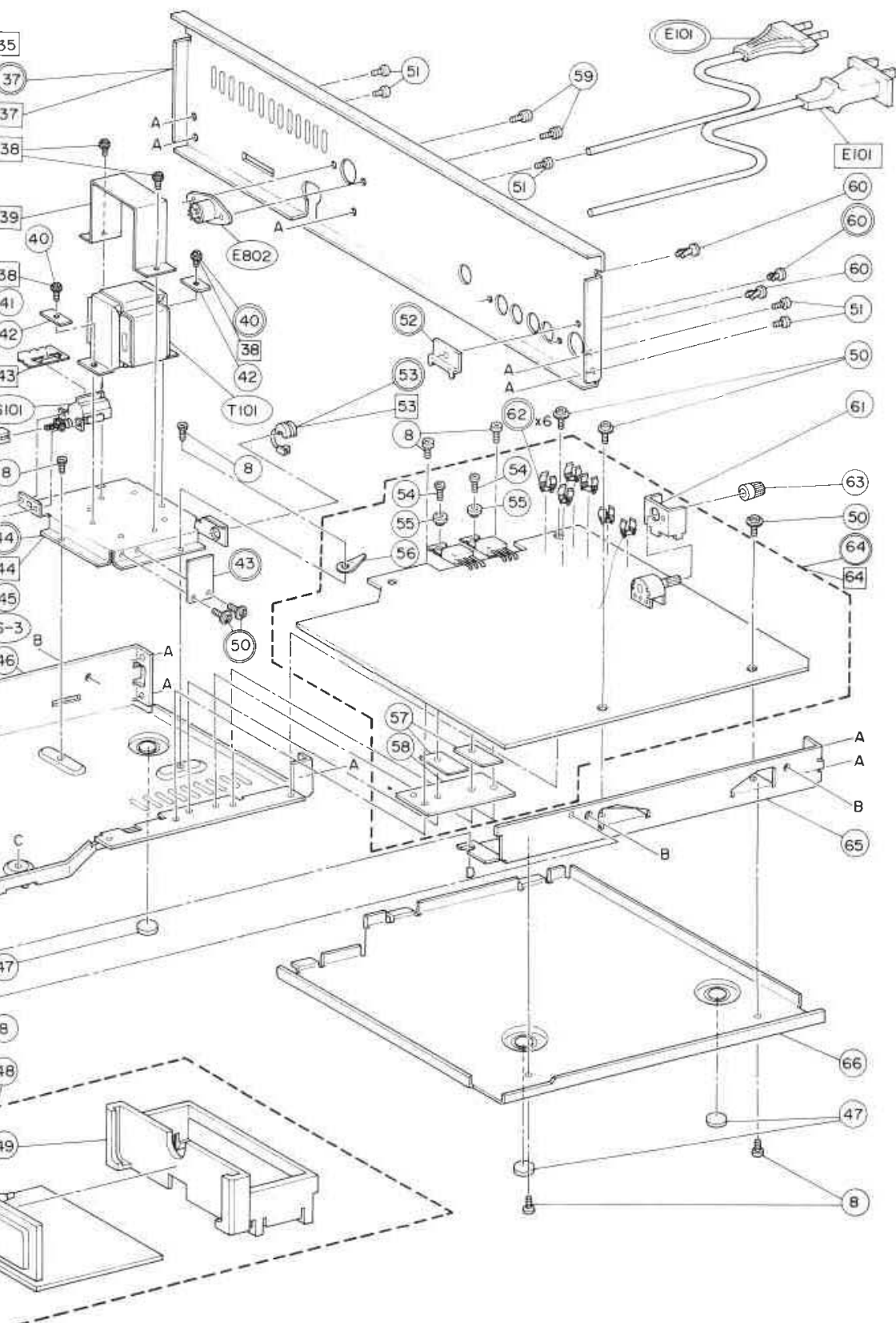
Exploded Views (Mechanism)





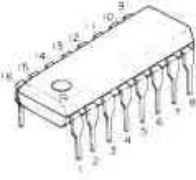
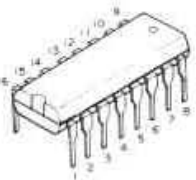
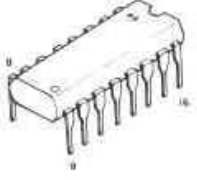






Exploded View (General)



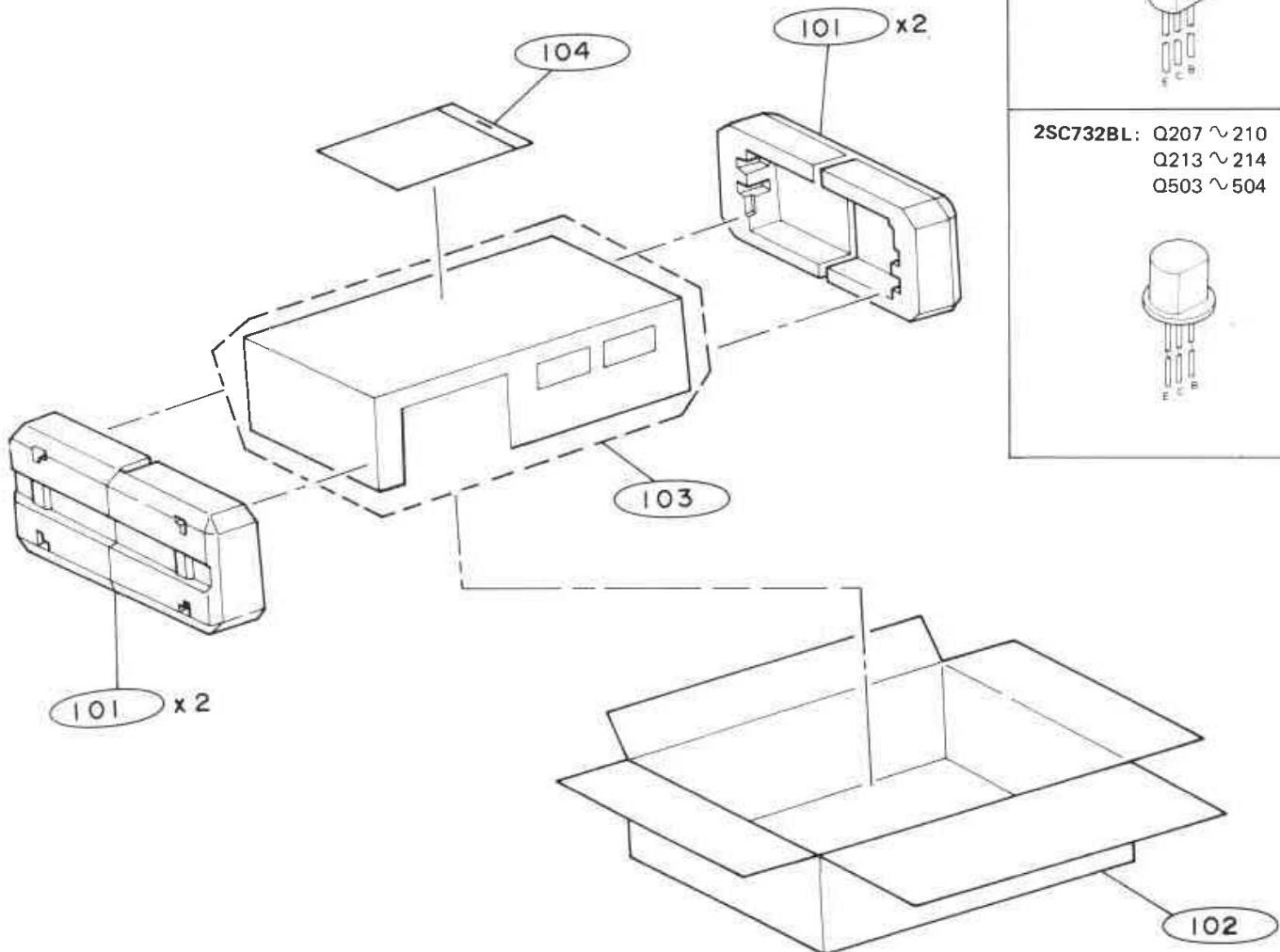


◎ : European Model
 □ : U.S.A. Model
 ○ : Common

Semi-Conductor Lead Identifications

<p>LM1011N: IC301, IC302</p> 	<p>M54410P: IC601</p> 	<p>HA12019: IC851, 852</p> 	<p>2SD880-Y: Q101, 102 2SD235-R: Q101, 102</p> 	<p>2SA777S: Q605 2SC1318NC-R: Q103, 405, 406 Q505, 610, 611 622</p> 
<p>2SC1815-Y: Q201, 202, 211, 212 Q215 ~ 218, Q301 ~ 304 Q403, 404, Q501, 502 Q602 ~ 604, Q606, 608 Q609, Q612 ~ 618 Q627, Q851, 852</p> 	<p>2SC1890: Q203 ~ 206</p> 	<p>2SK127: Q801, 802</p> 	<p>2SC900: Q307 ~ 210, 213, 214, Q403, 504 2SC1980-T: Q203 ~ Q206 2SC1684-R, 2SC1680: Q201, 202, Q211, 212, Q215 ~ 218, Q301 ~ 304, Q403, 404, Q501, 502, Q602 ~ 604, Q606, 608, Q609, Q612 ~ 618, Q627</p> 	

Packing Method View



Parts List

Symbol No.	Part No.	Description
Master Board Assembly		
ICs		
IC301	51T40113T01	Dolby LM1011N
IC302	51T40113T01	Dolby LM1011N
IC601	51T44480F01	M54410P
Switches & Filter		
S201	40T42082F01	Lever Switch
S301	40T42082F01	Lever Switch
S801	40T44478F01	Lever Switch
LF301	51T42537U01	MPX Filter
LF302	51T42537U01	MPX Filter
Coils		
L501	24S41449F01	Radial Inductor 5600 μ H
L502	24S41449F01	Radial Inductor 5600 μ H
L503	24T44499P01	Inductor 27 μ H
L504	24T44499P01	Inductor 27 μ H
Jacks & Plate		
E201	9T41359F02	Microphone Jack
E501	9B44393P01	Phono Plate
E801 ○	9T40584F01	Din Jack
Fuses & Transformer		
F101 ○	65T42077U15	Semko, Fuse
F102 ○	65T42077U15	Semko, Fuse
F103 ○	65T42077U10	Semko, Fuse
T5Q1	25T44260F01	OSC Transformer
Transistors		
Q101	48T42620F02	2SD880-Y
or	48S40662G02	2SD235-R
Q102	48T42620F02	2SD880-Y
or	48S40662G02	2SD235-R
Q103	48T40832F03	2SC1318NC-R

Symbol No.	Part No.	Description
Q201	48T43525F02	2SC1815-Y
or	48T42943U01	2SC1684-R
or	48T42943U06	2SC1680
Q202	48T43525F02	2SC1815-Y
or	48T42943U01	2SC1684-R
or	48T42943U06	2SC1680
Q203	48T43394P01	2SC1890
or	48T41196U03	2SC1980-T
Q204	48T43394P01	2SC1890
or	48T41196U03	2SC1980-T
Q205	48T43394P01	2SC1890
or	48T41196U03	2SC1980-T
Q206	48T43394P01	2SC1890
or	48T41196U03	2SC1980-T
Q207	48S40149P01	2SC900
or	48S40246G01	2SC732BL
Q208	48S40149P01	2SC900
or	48S40246G01	2SC732BL
Q209	40S40149P01	2SC900
or	48S40246G01	2SC732BL
Q210	40S40149P01	2SC900
or	48S40246G01	2SC732BL
Q211	48T43525F02	2SC1815-Y
or	48T42943U01	2SC1684-R
or	48T42943U06	2SC1680
Q212	48T43252F02	2SC1815-Y
or	48T42943U01	2SC1684-R
or	48T42943U06	2SC1680
Q213	48S40149P01	2SC900
or	48S40246G01	2SC732BL
Q214	48S40149P01	2SC900
or	48S40246G01	2SC732BL
Q215	48T43525F02	2SC1815-Y
or	48T42943U01	2SC1684-R
or	48T42943U06	2SC1680
Q216	48T43525F02	2SC1815-Y
or	48T42943U01	2SC1684-R
or	48T42943U06	2SC1680
Q217	48T43525F02	2SC1815-Y
or	48T42943U01	2SC1684-R
or	48T42943U06	2SC1680
Q218	48T43525F02	2SC1815-Y
or	48T42943U01	2SC1684-R
or	48T42943U06	2SC1680

○: European model only. □: U.S.A. model only.
Others: Common

Symbol No.	Part No.	Description
Q301	48T42525F02	2SC1815-Y
or	48T42943U01	2SC1684-R
or	48T42943U06	2SC1680
Q302	48T42525F02	2SC1815-Y
or	48T42943U01	2SC1684-R
or	48T42943U06	2SC1680
Q303	48T43525F02	2SC1815-Y
or	48T42943U01	2SC1684-R
or	48T42943U06	2SC1680
Q304	48T43525F02	2SC1815-Y
or	48T42943U01	2SC1684-R
or	48T42943U06	2SC1680
Q404	48T43525F02	2SC1815-Y
or	48T42943U01	2SC1684-R
or	48T42943U06	2SC1680
Q405	48T40832F03	2SC1318NC-R
Q406	48T40832F03	2SC1318NC-R
Q501	48T43525F02	2SC1815-Y
or	48T42943U01	2SC1684-R
or	48T42943U06	2SC1680
Q502	48T42525F02	2SC1815-Y
or	48T42943U01	2SC1684-R
or	48T42943U06	2SC1680
Q503	48S40149P01	2SC900
or	48S40246G01	2SC732BL
Q504	48S40149P01	2SC900
or	48S40245G01	2SC732BL
Q505	48T40832F03	2SC1318NC-R
Q601	48T40081T03	2SA733(P)
Q602	48T43525F02	2SC1815-Y
or	48T42943U01	2SC1684-R
or	48T42943U06	2SC1680
Q603	48T43525F02	2SC1815-Y
or	48T42943U01	2SC1684-R
or	48T42943U06	2SC1680
Q604	48T43525F02	2SC1815-Y
or	48T42943U01	2SC1684-R
or	48T42943U06	2SC1680
Q605	48T41197U04	2SA777-S
Q606	48T43525F02	2SC1815-Y
or	48T42943U01	2SC1684-R
or	48T42943U06	2SC1680
Q607	48T40081T03	2SA733(P)
Q608	48T42525F02	2SC1815-Y
or	48T42943U01	2SC1684-R

Symbol No.	Part No.	Description
or	48T42943U06	2SC1680
Q609	48T42525F02	2SC1815-Y
or	48T42943U01	2SC1684-R
or	48T42943U06	2SC1680
Q610	48T40832F03	2SC1318NC-R
Q611	48T40832F03	2SC1318NC-R
Q612	48T43525F02	2SC1815-Y
or	48T42943U01	2SC1684-R
or	48T42943U06	2SC1680
Q613	48T43525F02	2SC1815-Y
or	48T42943U01	2SC1684-R
or	48T42943U06	2SC1680
Q614	48T42525F02	2SC1815-Y
or	48T42943U01	2SC1684-R
or	48T42943U06	2SC1680
Q615	48T43525F02	2SC1815-Y
or	48T42943U01	2SC1684-R
or	48T42943U06	2SC1680
Q616	48T43525F02	2SC1815-Y
or	48T42943U01	2SC1684-R
or	48T42943U06	2SC1680
Q617	48T43525F02	2SC1815-Y
or	48T42943U01	2SC1684-R
or	48T42943U06	2SC1680
Q618	48T43525F02	2SC1815-Y
or	48T42943U01	2SC1684-R
or	48T42943U06	2SC1680
Q622	48T40832F03	2SC1318NC-R
Q627	48T43525F02	2SC1815-Y
or	48T42943U01	2SC1684-R
or	48T42943U06	2SC1680
Q801 ○	48T42538U01	2SK127
Q802 ○	48T42538U01	2SK127
Q805 ○	48T40081T03	2SA733(P)
Q806	48T40081T03	2SA733(P)
Diodes		
D101	48T40477U01	IN4003
or	48C40235G02	10E2
D102	48T40477U01	IN4003
or	48C40235G02	10E2
D103	48T40477U01	IN4003
or	48C40235G02	20E2
D104	48T40477U01	IN4003

○: European model only. □: U.S.A. model only.
Others: Common

Symbol No.	Part No.	Description
or D105	48C40235G02 48T40477U01	10E2 IN4003
or D106	48C40235G02 48T40477U01	10E2 IN4003
or	48C40235G02	10E2
D201	48S134816	1S1555
or	48T44813F01	MA165TA
D301	48S134815	1S1555
or	48T44813F01	MA165TA
D302	48S134816	1S1555
or	48T44813F01	MA165TA
D303	48S134816	1S1555
or	48T44813F01	MA165TA
D304	48S134816	1S1555
or	48T44813F01	MA165TA
D501	48S134816	1S1555
or	48T44813F01	MA165TA
D601	48S134816	1S1555
or	48T44813F01	MA165TA
D602	48S134816	1S1555
or	48T44813F01	MA165TA
D603	48S134816	1S1555
or	48T44813F01	MA165TA
D604	48S134816	1S1555
or	48T44813F01	MA165TA
D605	48S134816	1S1555
or	48T44813F01	MA165TA
D606	48S134816	1S1555
or	48T44813F01	MA165TA
D607	48S134816	1S1555
or	48T44813F01	MA165TA
D608	48S134816	1S1555
or	48T44813F01	MA165TA
D609	48S134816	1S1555
or	48T44813F01	MA165TA
D610	48S134816	1S1555
or	48T44813F01	MA165TA
D611	48S134816	1S1555
or	48T44813F01	MA165TA
D612	48S134816	1S1555
or	48T44813F01	MA165TA
D613	48T40477U01	IN4003
or	48C40235G02	10E2
D614	48T40477U01	IN4003
or	48C40235G02	10E2
D617	48T40477U01	IN4003
or	48C40235G02	10E2

Symbol No.	Part No.	Description
D618	48S134816	1S1555
or	48T44813F01	MA165TA
D619	48S134816	1S1555
or	48T44813F01	MA165TA
D620	48T40477U01	IN4003
or	48C40235G02	10E2
D621	48T40477U01	IN4003
or	48C40235G02	10E2
D801 ○	48S134816	1S1555
or	48T44813F01	MA165TA
D802 ○	48S134816	1S1555
or	48T44813F01	MA165TA
D807	48S134816	1S1555
or	48T44813F01	MA165TA
D807	48S134816	1S1555
or	48T44813F01	MA165TA
D808	48S134816	1S1555
or	48T44813F01	MA165TA
D809	48S134816	1S1555
or	48T44813F01	MA165TA
D810	48S134816	1S1555
or	48T44813F01	MA165TA
ZD101	48T40150U80	Zener, HZ20-2
ZD102	48T40150U65	Zener, HZ12B-2
ZD103	48T40150U31	Zener, HZ6B-1
ZD501	48S41873J09	Zener, RD6.2E
or	48T40150U32	Zener, RD6.2E
or	48T40150U33	Zener, RD6.2E
ZD502	48S41873J09	Zener, RD6.2E
or	48T40150U32	Zener, RD6.2E
or	48T40150U33	Zener, RD6.2E
Capacitors $\mu = \mu$		
C101	23D44333G52	Electrolytic 470 μ F/50V
C102	23D44333G38	Electrolytic 220 μ F/25V
C103	23D44333G38	Electrolytic 220 μ F/25V
C104	23S41198U72	Electrolytic 2200 pF/25V
C105	23B44780P05	Electrolytic 470 μ F/16V
C106	23S40657F14	Electrolytic 100 μ F/16V
C107	23S40657F10	Electrolytic 10 μ F/16V
C108	23S40657F10	Electrolytic 10 μ F/16V
C109 ○	23S40657F21	Electrolytic 100 μ F/25V
C110 ○	23S40657F16	Electrolytic 10 μ F/16V
C111	23S40657F28	Electrolytic 1 μ F/50V

○: European model only. □: U.S.A. model only.

Others: Common

Symbol No.	Part No.	Description	
C201	8S44505P44	Ceramic	390 pF
C202	8S44505P44	Ceramic	390 pF
C203	23S40657F16	Electrolytic	4.7 uF/25V
C204	23S40657F16	Electrolytic	4.7 uF/25V
C205	8S44505P45	Ceramic	470 pF
C206	8S44505P45	Ceramic	470 pF
C207	8S44505P29	Ceramic	H 47 pF
C208	6S44505P29	Ceramic	H 47 pF
C209	23D44333G08	Electrolytic	10 uF/16V
C210	23S40657F10	Electrolytic	10 uF/16V
C211	23S40657F07	Electrolytic	47 uF/10V
C212	23S41198U26	Electrolytic	47 uF/10V
C213	8S40656F08	Mylar	0.0039 uF
C214	8S40656F08	Mylar	0.0039 uF
C215	23S40657F10	Electrolytic	10 uF/16V
C216	23S40657F10	Electrolytic	10 uF/16V
C217	23S40657F16	Electrolytic	4.7 uF/25V
C218	23S40657F16	Electrolytic	4.7 uF/25V
C219	8S44505P45	Ceramic	470 pF
C220	8S44505P45	Ceramic	470 pF
C221	23S40657F10	Electrolytic	10 uF/16V
C222	23S40657F10	Electrolytic	10 uF/16V
C227	23S40667F16	Electrolytic	4.7 uF/25V
C228	23D44333G32	Electrolytic	100 uF/25V
C301	23S41198U03	Electrolytic	1 uF/50V
C302	23S41198U03	Electrolytic	1 uF/50V
C303	8S44505P41	Ceramic	220 pF
C304	8S44505P41	Ceramic	220 pF
C305	8S44505P41	Ceramic	220 pF
C306	8S44505P41	Ceramic	220 pF
C307	8S44505P49	Ceramic	1000 pF
C308	8S44505P49	Ceramic	1000 pF
C309	8S44505P49	Ceramic	1000 pF
C310	8S44505P49	Ceramic	1000 pF
C311	8S40656F21	Mylar	0.047 uF
C312	8S40656F21	Mylar	0.047 uF
C313	23S40657F10	Electrolytic	10 uF/16V
C314	23S40657F10	Electrolytic	10 uF/16V
C315	23S40657F10	Electrolytic	10 uF/16V
C316	23S40657F10	Electrolytic	10 uF/16V
C317	23S40657F10	Electrolytic	10 uF/16V
C318	23S40657F10	Electrolytic	10 uF/16V
C319	8S40656F09	Mylar	0.0047 uF
C320	8S40656F09	Mylar	0.0047 uF

Symbol No.	Part No.	Description	
C321	8S40656F10	Mylar	0.0056 uF
C322	8S40656F10	Mylar	0.0056 uF
C323	8S40656F18	Mylar	0.027 uF
C324	8S40656F18	Mylar	0.027 uF
C325	8S40656F25	Mylar	0.1 uF
C326	8S40656F25	Mylar	0.1 uF
C327	23T42478F21	Electrolytic	0.33 uF/50V
C328	23T42478F21	Electrolytic	0.33 uF/50V
C329	23S40657F10	Electrolytic	10 uF/16V
C330	23S40667F10	Electrolytic	10 uF/16V
C331	23S40657F10	Electrolytic	10 uF/16V
C332	23S40657F10	Electrolytic	10 uF/16V
C333	23S40557F10	Electrolytic	10 uF/16V
C334	23S40657F10	Electrolytic	10 uF/16V
C335	23B44780P05	Electrolytic	470 uF/16V
C336	23D44333G48	Electrolytic	470 uF/16V
C405	23S40657F10	Electrolytic	10 uF/16V
C406	23S40657F10	Electrolytic	10 uF/16V
C407	23S40657F09	Electrolytic	220 uF/10V
C408	23S40657F09	Electrolytic	220 uF/10V
C501	23S40657F10	Electrolytic	10 uF/16V
C502	23S40657F10	Electrolytic	10 uF/16V
C503	8S40656F06	Mylar	0.0027 uF
C504	8S40656F06	Mylar	0.0027 uF
C505	8S40656F01	Mylar	0.001 uF
C506	8S40656F01	Mylar	0.001 uF
C507	8S44505P41	Ceramic	220 pF
C508	8S44505P41	Ceramic	220 pF
C511	23S40657F16	Electrolytic	4.7 uF/25V
C512	23S40657F16	Electrolytic	4.7 uF/25V
C513	8S40656F24	Mylar	0.082 uF
C514	8S40656F24	Mylar	0.082 uF
C515	23D44333G05	Electrolytic	4.7 uF/25V
C516	23D44333G05	Electrolytic	4.7 uF/25V
C517	8S40656F13	Mylar	0.01 uF
C518	8S40656F13	Mylar	0.01 uF
C519	8S44505P35	Ceramic	82 pF
C520	8S44505P35	Ceramic	82 pF
C521	8S44505P41	Ceramic	220 pF
C522	6S44505P41	Ceramic	220 pF
C523	8S40656F14	Mylar	0.012 uF
C524	8S40656F16	Mylar	0.018 uF
C525	23D44333G05	Electrolytic	4.7 uF/25V
C526	8T44481F35	Polypropylene	0.0082MF
C601	23S40657F21	Electrolytic	100 uF/25V

Symbol No.	Part No.	Description
C602	23D44333G05	Electrolytic 4.7 μ F/25V
C603	23D44333G05	Electrolytic 4.7 μ F/25V
C604	23D44333G05	Electrolytic 4.7 μ F/25V
C605	23S40657F28	Electrolytic 1 μ F/50V
C606	23S40657F05	Electrolytic 22 μ F/10V
C607	23D44333G12	Electrolytic 22 μ F/10V
C608	23S40657F07	Electrolytic 47 μ F/10V
C609	23S40657F16	Electrolytic 4.7 μ F/25V
C610	23S40657F10	Electrolytic 10 μ F/16V
C611	23S40657F08	Electrolytic 100 μ F/10V
C612	23S40657F05	Electrolytic 22 μ F/10V
C614	8S44505P61	Ceramic 10000 pF
C615	8S44505P61	Ceramic 10000 pF
C616	23S40657F28	Electrolytic 1 μ F/50V
C617	23S40657F10	Electrolytic 10 μ F/16V
C618	23B44780P05	Electrolytic 470 μ F/16V
C620	23S40657F16	Electrolytic 4.7 μ F/25V
C802 ○	23S40657F28	Electrolytic 1 μ F/50V
TC501	20T43668F01	Trimmer

Symbol No.	Part No.	Description
R214	6S44594P14	100K ohm
R215	6S44593P45	150 ohm
R216	6S44593P45	150 ohm
R217	6S44594P24	270K ohm
R218	6S44594P24	270K ohm
R219	6S44593P97	22K ohm
R220	6S44593P97	22K ohm
R221	6S44593P65	1K ohm
R222	6S44593P65	1K ohm
R223	6S44593P92	13K ohm
R224	6S44593P92	13K ohm
R225	6S44593P95	18K ohm
R226	6S44593P95	18K ohm
R227	6S44594P38	1M ohm
R228	6S44594P38	1M ohm
R229	6S44593P73	2.2K ohm
R230	6S44593P73	2.2K ohm
R231	6S44593P93	15K ohm
R232	6S44593P93	15K ohm
R233	6S44593P89	10K ohm
R234	6S44593P89	10K ohm
R235	6S44594P02	33K ohm
R236	6S44593P99	27K ohm
R237	6S44593P89	10K ohm
R238	6S44593P89	10K ohm
R239	6S44594P14	100K ohm
R240	6S44594P14	100K ohm
R241	6S44593P57	470 ohm
R242	6S44593P57	470 ohm
R243	6S44594P26	330K ohm
R244	6S44594P26	330K ohm
R245	6S44594P24	270K ohm
R246	6S44594P24	270K ohm
R247	6S44593P81	4.7K ohm
R248	6S44593P81	4.7K ohm
R249	6S44593P53	330 ohm
R250	6S44593P53	330 ohm
R251	6S44594P14	100K ohm
R252	6S44594P14	100K ohm
R253	6S44593P87	8.2K ohm
R254	6S44593P87	8.2K ohm
R255	6S44593P86	7.5K ohm
R256	6S44593P86	7.5K ohm
R257	6S44593P77	3.3K ohm
R258	6S44593P77	3.3K ohm

Resistors (All resistors are carbon film, 1/2W, \pm 5% unless otherwise noted)

R101	6S44593P75	2.7K ohm
R102	6S44593P75	2.7K ohm
R103	6S44593P61	680 ohm
R104	6S44593P61	680 ohm
R105 ○	6S44593P41	100 ohm
R106 ○	6S44593P41	100 ohm
R107	6S44593P57	470 ohm
R108 ○	6S44593P97	22K ohm
R201	6S44594P14	100K ohm
R202	6S44594P14	100K ohm
R203	6S44593P41	100 ohm
R204	6S44593P41	100 ohm
R205	6S44593P89	10K ohm
R206	6S44593P89	10K ohm
R207	6S44593P81	4.7K ohm
R208	6S44593P81	4.7K ohm
R209	6S44593P89	10K ohm
R210	6S44593P89	10K ohm
R211	6S44593P89	10K ohm
R212	6S44593P89	10K ohm
R213	6S44594P14	100K ohm

○: European model only. □: U.S.A. model only.
Others: Common

Symbol No.	Part No.	Description
R259	6S44593P57	470 ohm
R301	6S44594P14	100K ohm
R302	6S44594P14	100K ohm
R303	6S44594P10	68K ohm
R304	6S44594P10	68K ohm
R305	6S44593P99	27K ohm
R306	6S44593P99	27K ohm
R307	6S44594P10	68K ohm
R308	6S44594P10	68K ohm
R309	6S44594P06	47K ohm
R310	6S44594P06	47K ohm
R311	6S44594P14	100K ohm
R312	6S44594P14	100K ohm
R313	6S44593P47	180 ohm
R314	6S44593P47	180 ohm
R315	6S44594P06	47K ohm
R316	6S44594P06	47K ohm
R317	6S44593P77	3.3K ohm
R318	6S44593P77	3.3K ohm
R319	6S44594P24	270K ohm
R320	6S44594P24	270K ohm
R321	6S44594P32	560K ohm
R322	6S44594P32	560K ohm
R323	6S44594P24	270K ohm
R324	6S44594P24	270K ohm
R325	6S44593P70	1.6K ohm
R326	6S44593P70	1.6K ohm
R327	6S44593P70	1.6K ohm
R328	6S44593P70	1.6K ohm
R329	6S44593P70	1.6K ohm
R401	6S44593P53	330 ohm
R402	6S44593P53	330 ohm
R411	6S44593P81	4.7K ohm
R412	6S44593P81	4.7K ohm
R413	6S44593P65	1K ohm
R414	6S44593P65	1K ohm
R415	6S44594P04	39K ohm
R416	6S44594P04	39K ohm
R417	6S44593P61	680 ohm
R418	6S44593P61	680 ohm
R419	6S44593P61	680 ohm
R420	6S44593P61	680 ohm
R421	6S44593P61	680 ohm
R422	6S44593P61	680 ohm
R423	6S44593P61	680 ohm

Symbol No.	Part No.	Description
R424	6S44593P61	680 ohm
R425	6S44593P89	10K ohm
R426	6S44593P89	10K ohm
R427	6S44593P37	68 ohm
R428	6S44593P37	68 ohm
R429	6S44593P37	68 ohm
R430	6S44593P37	68 ohm
R447	6S44593P65	1K ohm
R448	6S44593P65	1K ohm
R501	6S44593P89	10K ohm
R502	6S44593P89	10K ohm
R503	6S44594P06	47K ohm
R504	6S44594P06	47K ohm
R505	6S44594P14	100K ohm
R506	6S44594P14	100K ohm
R507	6S44594P08	56K ohm
R508	6S44594P08	56K ohm
R509	6S44594P06	47K ohm
R510	6S44594P06	47K ohm
R511	6S44594P10	68K ohm
R512	6S44594P10	68K ohm
R517	6S44593P99	27K ohm
R518	6S44593P99	27K ohm
R519	6S44594P40	1.2M ohm
R520	6S44594P40	1.2M ohm
R521	6S44594P14	100K ohm
R522	6S44594P14	100K ohm
R523	6S44593P97	22K ohm
R524	6S44593P97	22K ohm
R525	6S44593P69	1.5K ohm
R526	6S44593P69	1.5K ohm
R527	6S44593P45	150 ohm
R528	6S44593P45	150 ohm
R533	6S44593P01	2.2 ohm
R534	6S44593P93	15K ohm
R535	□ 6S44593P54	360 ohm
	○ 6S44593P51	270 ohm
R536	□ 6S44593P54	360 ohm
	○ 6S44593P51	270 ohm
R537	□ 6S44593P54	360 ohm
	○ 6S44593P51	270 ohm
R538	□ 6S44593P54	360 ohm
	○ 6S44593P51	270 ohm
R539	□ 6S44593P54	360 ohm
	○ 6S44593P51	270 ohm

○: European model only. □: U.S.A. model only.
Others: Common

Symbol No.	Part No.	Description
R540 □	6S44593P54	360 ohm
○	6S44593P51	270 ohm
R541 □	6S44593P54	360 ohm
○	6S44593P51	270 ohm
R542 □	6S44593P54	360 ohm
○	6S44593P51	270 ohm
R543 □	6S44593P54	360ohm
○	6S44593P51	270 ohm
R544 □	6S44593P54	360 ohm
○	6S44593P51	270 ohm
R545 □	6S44593P54	360 ohm
○	6S44593P51	270 ohm
R546 □	6S44593P54	360 ohm
○	6S44593P51	270 ohm
R547	6S44593P65	1K ohm
R548	6S44593P65	1K ohm
R549	6S44593P65	1K ohm
R550	6S44593P45	150 ohm
R551	6S44593P43	120 ohm
R552	6S44593P43	120 ohm
R553	6S44593P43	120 ohm
R554	6S44593P43	120 ohm
R555	6S44593P39	82 ohm
R556	6S44593P77	3.3K ohm
R601	6S44593P81	4.7K ohm
R602	6S44593P89	10K ohm
R603	5S44593P97	22K ohm
R604	6S44593P97	22K ohm
R605	6S44593P06	47K ohm
R606	6S44593P81	4.7K ohm
R607	6S44953P89	10K ohm
R608	6S44593P77	3.3K ohm
R609	6S44593P89	10K ohm
R610	6S44593P89	10K ohm
R611	6S44593P87	8.2K ohm
R612	6S44593P73	2.2K ohm
R613	6S44593P97	22K ohm
R614	6S44593P97	22K ohm
R615	6S44593P97	22K ohm
R616	6S44593P97	22K ohm
R617	6S44593P97	22K ohm
R618	6S44593P97	22K ohm
R619	6S44594P02	33K ohm
R620	6S44594P93	15K ohm
R621	6S44594P02	33K ohm

Symbol No.	Part No.	Description
R622	6S44593P89	10K ohm
R623	6S44493P89	10K ohm
R624	6S44593P97	22K ohm
R625	6S44594P06	47K ohm
R626	6S44593P39	82 ohm
R627	6S44593P77	3.3K ohm
R628	6S44593P39	82 ohm
R629	6S44593P77	3.3K ohm
R630	6S44593P95	18K ohm
R631	6S44593P89	10K ohm
R632	6S44593P91	12K ohm
R633	6S44593P85	6.8K ohm
R634	6S44593P81	4.7K ohm
R635	6S44594P06	47K ohm
R636	6S44594P06	47K ohm
R637	6S44593P59	560 ohm
R639	6S44593P73	2.2K ohm
R640	6S44593P59	560 ohm
R642	6S44593P73	2.2K ohm
R647	6S44593P85	6.8K ohm
R648	6S44593P53	330 ohm
R649	6S44593P97	22K ohm
R659	6S44593P59	560 ohm
R660	6S44593P73	2.2K ohm
R661	6S44593P89	10K ohm
R662	6S44593P89	10K ohm
R663	6S44594P14	100K ohm
R664	6S44594P06	47K ohm
R665	6S44593P97	22K ohm
R666	6S44593P93	15K ohm
R801 ○	6S44594P55	5.1M ohm
R802 ○	6S44594P55	5.1M ohm
R803 ○	6S44594P22	220K ohm
R804 ○	6S44594P22	220K ohm
R809 ○	6S44594P14	100K ohm
R810 ○	6S44593P97	22K ohm
R811 ○	6S44593P97	22K ohm
R812	6S44593P89	10K ohm
R813	6S44593P89	10K ohm
VR201	18C42061J15	Variable 50K ohm
VR202	18C42061J15	Variable 50K ohm
VR401	18T44715P03	Variable 50K ohm
VR501	18C42061J15	Variable 50K ohm
VR502	18C42061J15	Variable 50K ohm
VR503	18T44716P01	Variable 50K ohm

○: European model only. □: U.S.A. model only.

Others: Common

Symbol No.	Part No.	Description
FL Meter P.C.Board Assembly		
Meter & Diodes		
E851	65T44406U01	F.L. Meter 21AW
D851	48B41768G01	Diode 1N60
D852	48B41768G01	Diode 1N60
ICs & Transistors		
IC851	51T42636F01	IC, HA 12019
IC852	51T42626F01	IC, HA 12019
Q851	48T43525F02	Transistor, 2SC1815-Y
Q852	48T43525F02	Transistor, 2SC1815-Y
Q853	48T43525F02	Transistor, 2SC1815-Y
Q854	48T43525F02	Transistor, 2SC1815-Y
Capacitors $\mu = \mu$		
C851	23S40657F10	Electrolytic 10 μ F/16V
C852	23S40657F10	Electrolytic 10 μ F/16V
C853	23S40657F10	Electrolytic 10 μ F/16V
C854	23S40657F10	Electrolytic 10 μ F/16V
C855	23S40657F28	Electrolytic 1 μ F/50V
C856	23S40657F28	Electrolytic 1 μ F/50V
C857	23S40657F16	Electrolytic 4.7 μ F/25V
C858	23S40657F16	Electrolytic 4.7 μ F/25V
Resistors (All resistors are carbon film, 1/2W, \pm5% unless otherwise noted)		
R851	6S44593P97	22K ohm
R852	6S44593P97	22K ohm
R853	6S44594P36	820K ohm
R854	6S44594P36	820K ohm
R855	6S44593P79	3.9K ohm
R856	6S44593P79	3.9K ohm
R857	6S44594P18	150K ohm
R858	6S44594P18	150K ohm
R859	6S44594P14	100K ohm
R860	6S44594P14	100K ohm
R861	6S44593P89	10K ohm
R862	6S44593P89	10K ohm
R863	6S44594P24	270K ohm
R864	6S44594P24	270K ohm
R865	6S44593P47	180 ohm 1/4W
R866	6S44593P47	180 ohm 1/4W
R867	6S44593P47	180 ohm 1/4W
R868	6S44593P47	180 ohm 1/4W

Symbol No.	Part No.	Description
R869	6S44593P47	180 ohm 1/4W
R870	6S44593P47	180 ohm 1/4W
VR851	18C42061J15	Variable 50K ohm
VR852	18C42061J15	Variable 50K ohm
VR853	18C42061J14	Variable 10K ohm
VR854	18C42061J14	Variable 10K ohm
Miscellaneous		
E101	28B40832P01	AC Cord Semko Plug
	28T40916U01	AC Cord Semko Plug
E401	9T40027F01	Headphone Jack
E802	9T42751F01	Din Jack
LED601	48T42674U01	LED (Grn)
LED602	48T42674U01	LED (Grn)
LED603	48T42674U02	LED (Red)
PL1	65C42544U04	Pilot Lamp
S3	40T40641U01	Reed Switch
S101	40T44542F01	Power Switch
	40B41998P02	Power Switch
S601	40T44505F01	KHG Switch
~		
S606	40T44505F01	KHG Switch
S803	40T45478F01	Push Switch
T101	25T44724F01	Power Transformer
	25T44479F01	Power Transformer
C621	8T44979P08	Cap., Ceramic 10000pF
C622	8T44979P08	Cap., Ceramic 10000pF
C623	8T44979P08	Cap., Ceramic 10000pF
C624	8T44979P08	Cap., Ceramic 10000pF
C625	8T44979P08	Cap., Ceramic 10000pF
C626	8T44979P08	Cap., Ceramic 10000pF

○: European model only. □: U.S.A. model only.
Others: Common

Symbol No.	Part No.	Description
General Assembly Parts		
1	3S40036U03	Screw, Tap Tite (M3x6)
2	15B44924F02	Cover, Dust
3	1B44922F02	Assembly, Door
4	3S44205G16	Screw, Tap Tite (M3x6)
5	43B44954F01	Spacer, Knob
6	36A44951F01	Knob, Power
7 ○	64D44945F01	Panel, Front
□	64D44945F02	Panel, Front
8	3S44205G05	Screw, Tapping (M3x5)
9	41A45559F01	Spring, Eject
10	45A44338F01	Lever, Eject
11	61B44953F01	Meter, Crystal
12	36A44949F01	Knob, Control (R)
13	36A44341F02	Knob, Lever
14	27D44327F01	Chassis, Front
15	81T44833F01	Cassette Deck (FL87E010)
16	43A45760F01	Spacer, Eject
17	3S40036U01	Screw, Tap Tite (M4x8)
18	42A45366F01	Belt, Counter
19	72T44998F01	Counter, Tape
20	3C40014G04	Screw, Machine (M3x6)
21	36A44948F01	Knob, Control (L)
22	41A44349F01	Spring, Knob
24	91A41642F07	Filter, Acryl
25	7B44946F01	Frame, Function
26	36A44950F01	Knob, Function
27	7C44947F01	Frame, Meter
28	36A44952F01	Knob, Memory
29	84B44477F01	P.C. Board, Key Board
30	3S40012G28	Screw, Tapping (M3x8)
31	84D44351F02	P.C. Board, Headphone Jack
32	7B44923F01	Bracket, Counter
33	84D44351F04	P.C. Board, Switch
34	45B44337F01	Knob, Lever
35 □	37S44468G19	Tube, UL
36 ○	37S44468G22	Tube, UL/CSA Vinyl
37 ○	15C44330F04	Cover, Rear
□	15C44330F06	Cover, Rear
38 □	3S40036U07	Screw, Tap Tite (M4x12)
39 □	7A45749F01	Support, Transformer
40 ○	3S44205G09	Screw, Tapping (M4x8)
41	15D44332F02	Cover, Top

Symbol No.	Part No.	Description
42	7A40871F01	Support, Transformer
43 ○	84B44730F01	P.C. Board, Power Select
□	84D44351F05	P.C. Board, Power
44 ○	7B44334F05	Bracket, Transformer
□	7B44334F04	Bracket, Transformer
45	3S40036U06	Screw, Tap Tite (M3x6)
46	27C44535F01	Chassis, Bottom
47	75A44348F01	Pad, Felt
48	1V44800F68	P.C. Board, FL Meter
49	7C44999F01	Frame, P.C. Board
50	3C42723U01	Screw, Cap
51	3S44205G04	Screw, Tapping (M3x5)
52 ○	7A40703T01	Support, Din
53 ○	43B41625J02	Support, Cord
□	43B41625J01	Support, Cord
54	3A43146G01	Screw (M2x6)
55	43A43182P01	Spacer, Transistor
56	29A41814G01	Lug
57	14A40472G02	Insulator, Transistor
58	7A44482F01	Bracket, Heat Sink
59	3S40011G91	Screw, Machine (M2.6x5)
60	5B41635J02	Rivet, Push
61	7A44333F01	Bracket, Volume
62 ○	9A40961P01	Holder, Fuse
63	36A43361P02	Knob, Output Level Control
64 ○	1V44800F64	P.C. Board, Master
□	1V45200F01	P.C. Board, Master
65	27C44329F01	Chassis, Side
66	15C44331F01	Cover, Bottom
Mechanism Assembly Parts		
201	FR357-12	Arm, Record
202	KG194-12	Screw, Tape Tite (M3 x 6)
203	FM296-11	Spacer
204	FC11H-11	Eject Lock, Arm
205	FK573-11	Spring, Lock Arm
206	FG137-15	Screw, F Lock
207	FP472-11	Damper Assembly
208	FK568-11	Spring, Door
209	FR345-11	Head Base
210	FM283-11	Spacker, Head

○: European model only. □: U.S.A. model only.

Others: Common

Symbol No.	Part No.	Description
211	FK533-12	Spring, Hold
212	FK572-11	Spring, Azimuth
214(HD2)	F030-045	Head, Erase
215(HD1)	F029-090	Head, Record/Playback
216	FR369-11	Door Frame
217	FR349-11	Bracket, Damper
218	F011-106	Assembly, Chassis
219	FK579-11	Spring, Back Tension
220	FJ111-19	Slider, Polyester ($\phi 2 \times 0.13$)
221	FP464-11	Pad, Cushion
222	FP487-12	Assembly, Supply Reel
223	FP471-11	Assembly, Take-up Reel
224	FJ123-14	Washer, Lock ($\phi 1.7$)
225	FR358-12	Reference Guide
226	FR360-12	Cassette Guide
227	FN154-12	Idler Guide
228	F217-011	Panel, Connector
229	FR356-11	Arm, Switch
230	FR352-11	Lever, Safety
231	FG193-11	Screw, Tap Tite w/Washer(M3)
232	FJ123-19	Washer, Lock ($\phi 3.5$)
233	KG194-46	Screw, Tap Tite (M3 x 4)
234	FP470-11	Assembly, Clutch
235	FP463-11	Belt, Sub
236	FK551-11	Spring, Cassette
237	FG114-15	Screw, w/Washer
238	FK569-12	Spring, Pinch Roller
239	F014-053	Assembly, Pinch Roller
240	FJ141-12	Dil Seal
241	FJ123-15	Washer, Lock ($\phi 2.6$)
242	WG14U-10	Plug, Vinyl
243	FG143-26	Screw, Machine (M2.6)
244	WG14T-04	Plug, Vinyl
245	WG14R-06	Plug, Vinyl
246	FE173-11	Switch, Slide
247	FP469-11	Assembly, Idler
248	FK575-11	Spring, Play Idler
249	FP467-11	Assembly, Flywheel
250	FR359-12	Play Solenoid Arm
251	FK576-12	Spring, Play Solenoid Arm
252	FK578-11	Spring, Head Base Support
253	FK574-11	Spring, Assist Base
254	FR346-11	Assist Base
255	FK577-11	Spring, Head Base
256(SL1) (SL2)	PBC160-51	Solenoid

Symbol No.	Part No.	Description
257	FR355-11	Arm, Solenoid FF
258	FK570-12	Spring, Solenoid Bracket
259	FN153-11	Gear, Play
260	F214-011	Bracket, Solenoid
261	FH126-11	Clamp, Cord
262	FM281-11	Spacker, Flywheel
263(SL3)	F023-025	Solenoid
264	FP462-11	Belt, Main
265	FJ111-14	Slider, Polyester ($\phi 2.5 \times 0.5$)
266	FR350-11	Bracket, Door
267(M1)	F064-074	Motor
268	FR347-11	Bracket, Motor
269	UG11D-11	Screw, Tap Tite
Packing Assembly		
101	56C44350F01	Packing Tray
102	56C44544F15	Packing Carton
103	56B40230G23	Polyethelene Sack
104	○ 1V44800F74	Pamphlet Assembly
	□ 1V45200F05	Pamphlet Assembly
104-1	28T44325F01	Output Cord Plug
104-2	56B40230G21	Polyethylene Sack
104-3	○ 68P4490F05	Onwer's Manual
	□ 68P44890F28	Onwer's Manual
104-4	□ 54A44975F01	Card, Safety
104-5	□ 68P47536F01	Card, Warranty

○: European model only. □: U.S.A. model only.
Others: Common

 **SCOTT**[®]
The Name to listen to.

U.S.A. CORPORATE HEADQUARTERS

H.H. SCOTT INC.

20 Commerce Way
Woburn, Mass. 01801

tel.: 617-933-8800

EUROPE

SYMA INTERNATIONAL S.A.

Avenue du Bourget 10
1140 Bruxelles (Belgium)

tel.: 2-242-4700
