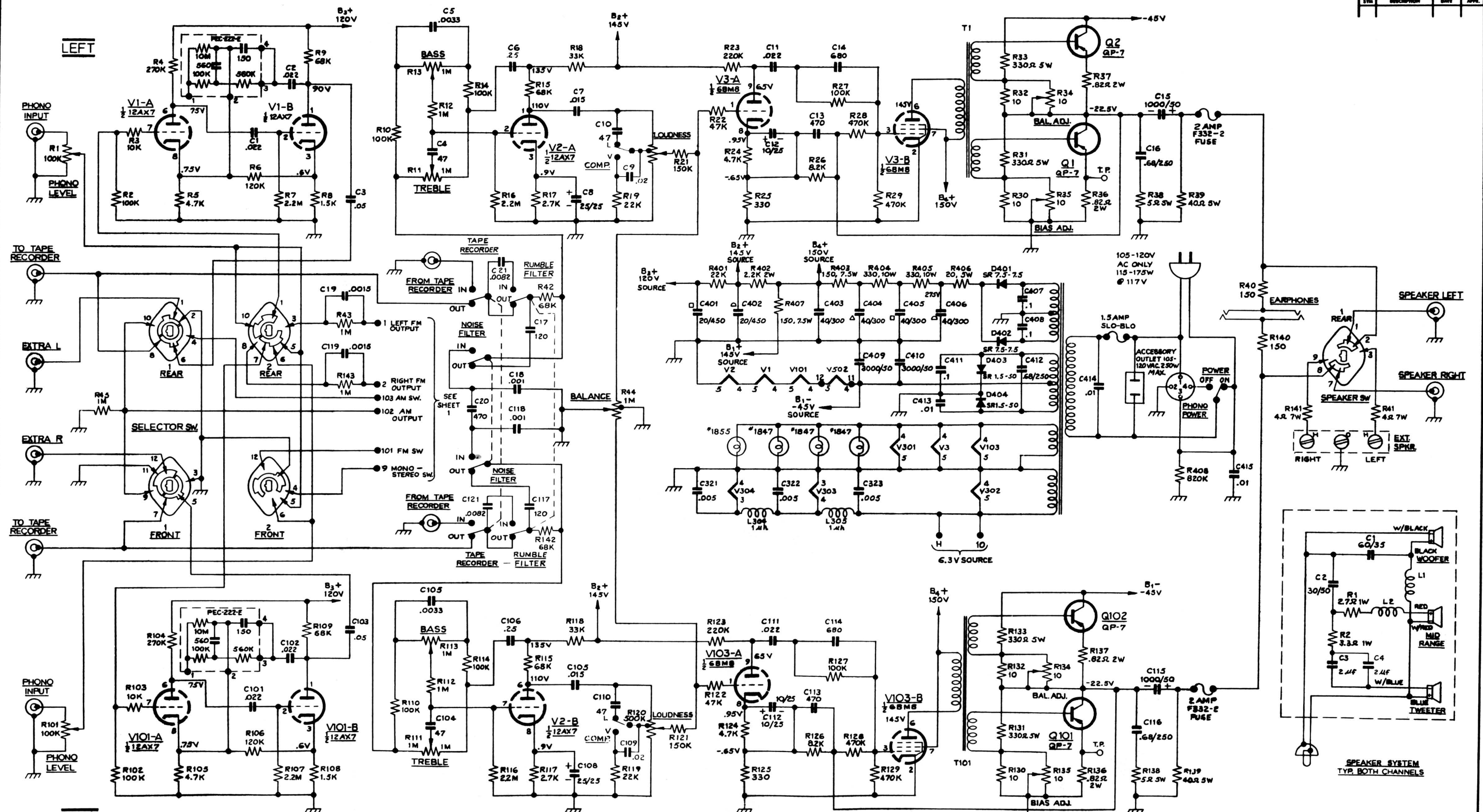


REVISIONS			
REV.	DESCRIPTION	DATE	APP.



HIGHEST SERIES NUMBERS

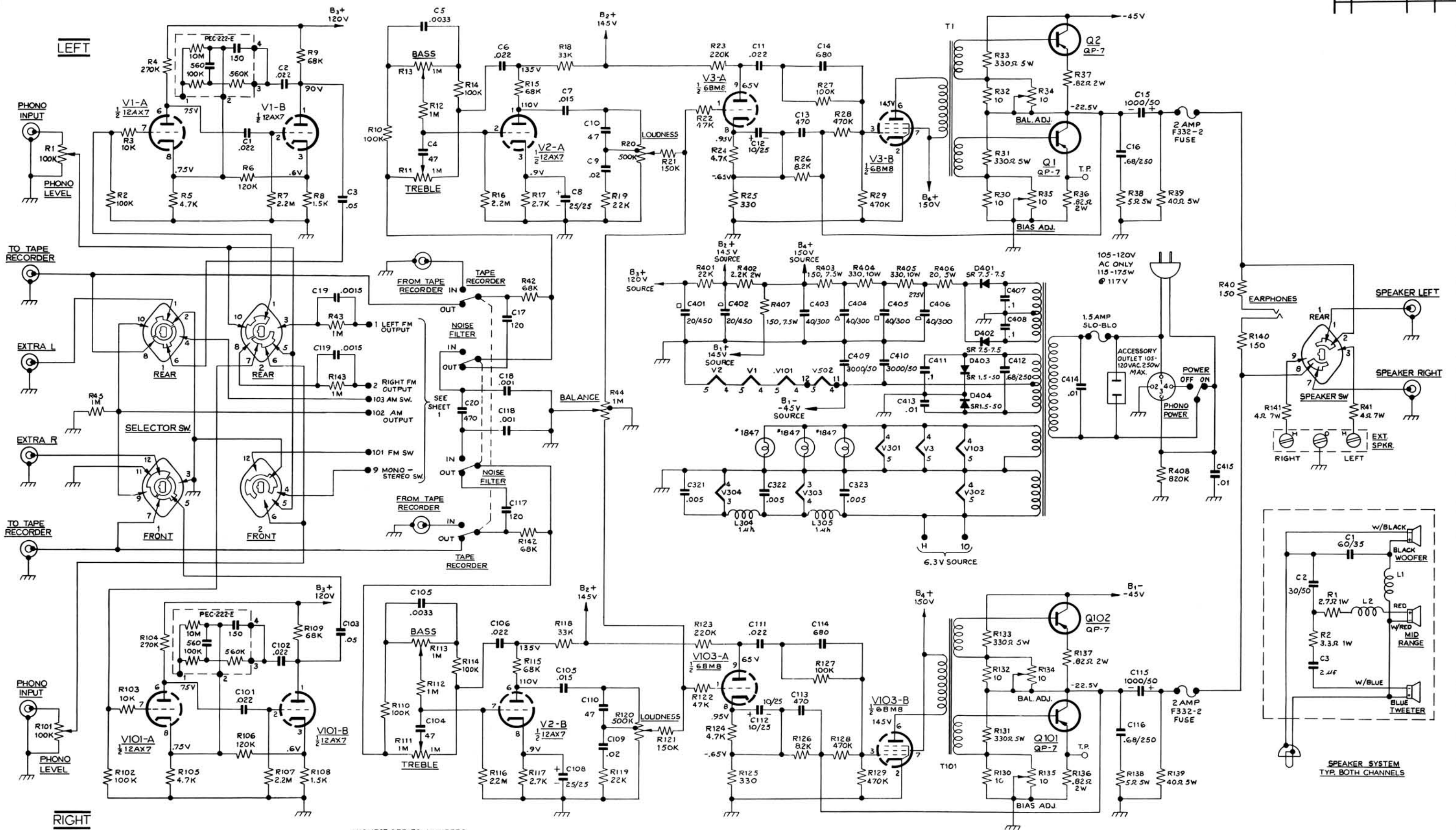
C20	C119	C415	C321-C323
R45	R143	R408	L304-L305
T1	T101	D404	

C8, C10B, C401, + C402 IN A SINGLE ENVELOPE.  
 C403, C404, C405, + C406 IN A SINGLE ENVELOPE.

NOT USED C120

EXETER PREAMP  
 AMPLIFIER, SPEAKERS

REVISIONS			
SYM	DESCRIPTION	DATE	APP



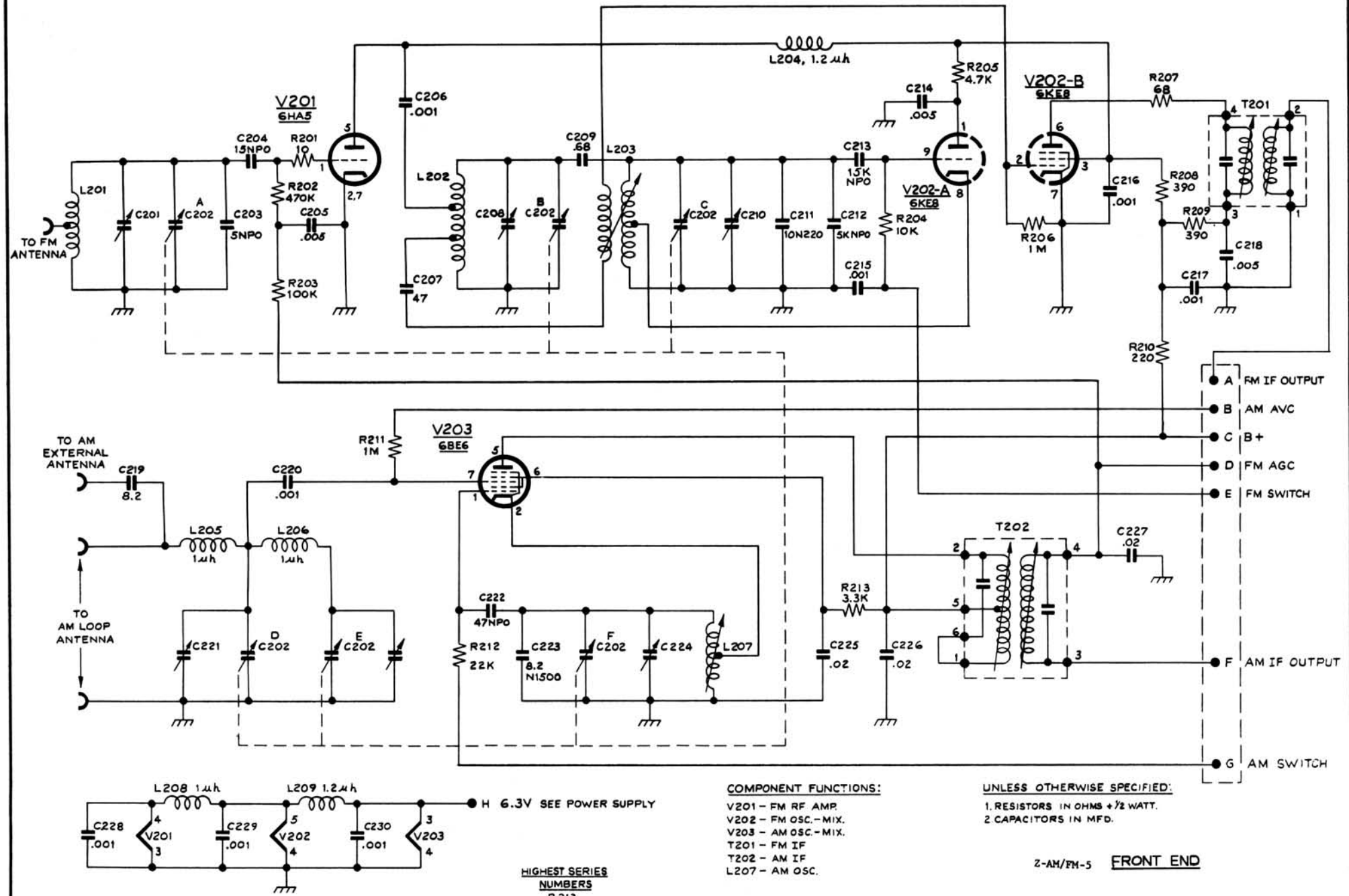
HIGHEST SERIES NUMBERS

C20	C119	C415	C321-C323
R45	R143	R408	L304-L305
T1	T101	D404	

C8, C108, C401, + C402 IN A SINGLE ENVELOPE.  
 C403, C404, C405, + C406 IN A SINGLE ENVELOPE.

**BERKLEY PREAMP  
 AMPLIFIER, SPEAKERS**

REVISIONS			
SYM	DESCRIPTION	DATE	APPR.



**COMPONENT FUNCTIONS:**

- V201 - FM RF AMP.
- V202 - FM OSC.-MIX.
- V203 - AM OSC.-MIX.
- T201 - FM IF
- T202 - AM IF
- L207 - AM OSC.

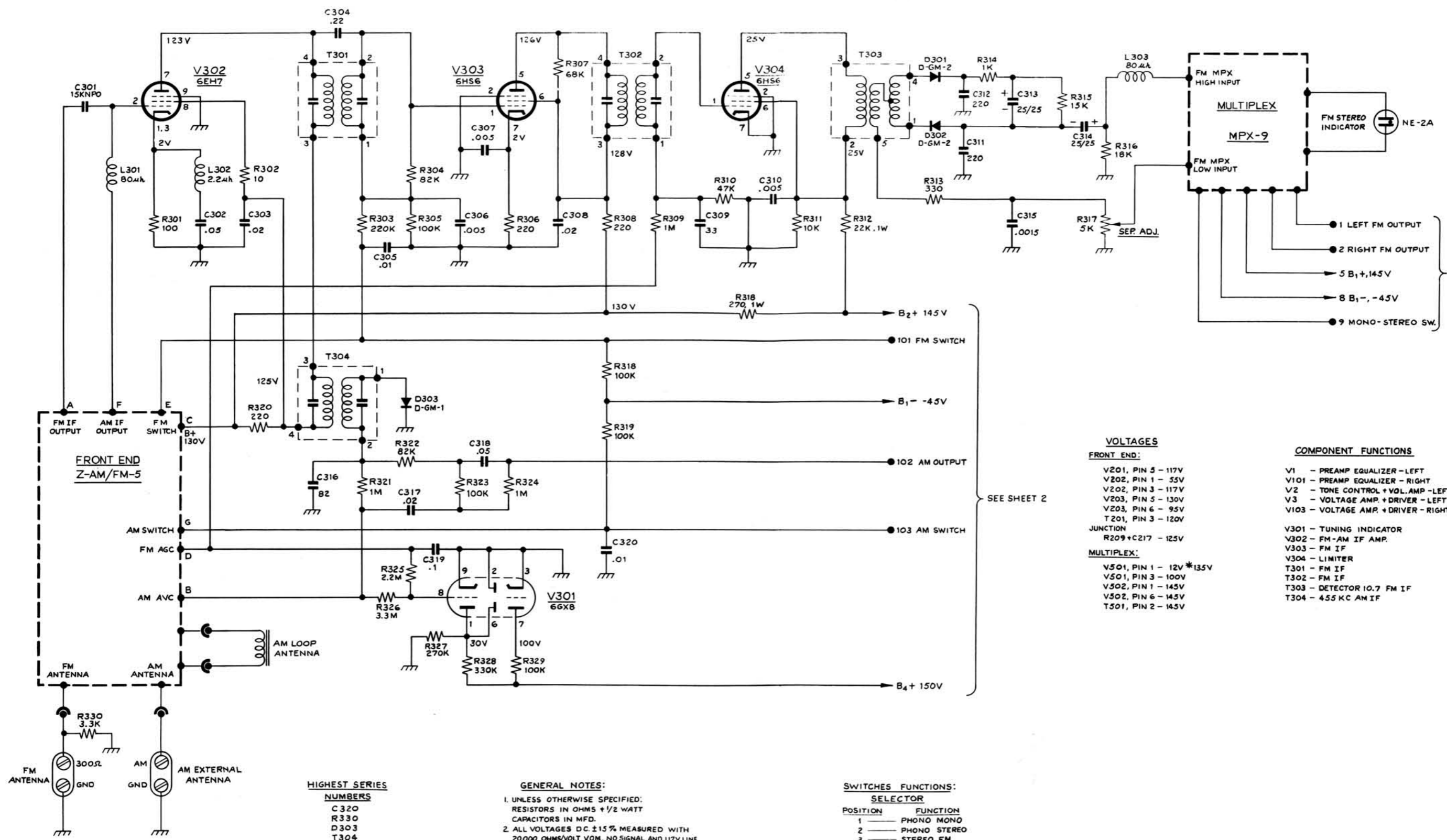
**UNLESS OTHERWISE SPECIFIED:**

- 1. RESISTORS IN OHMS + 1/2 WATT.
- 2. CAPACITORS IN MFD.

**HIGHEST SERIES NUMBERS**  
 R 213  
 C 230  
 T 201  
 L 209

Z-AM/FM-5 **FRONT END**

REVISIONS			
SYM	DESCRIPTION	DATE	APP.



**VOLTAGES**

**FRONT END:**

- V201, PIN 5 - 117V
- V202, PIN 1 - 35V
- V202, PIN 3 - 117V
- V203, PIN 5 - 130V
- V203, PIN 6 - 95V
- T201, PIN 3 - 120V

**JUNCTION**

- R209 + C217 - 125V

**MULTIPLEX:**

- V501, PIN 1 - 12V \*135V
- V501, PIN 3 - 100V
- V502, PIN 1 - 145V
- V502, PIN 6 - 145V
- T501, PIN 2 - 145V

**COMPONENT FUNCTIONS**

- V1 - PREAMP EQUALIZER - LEFT
- V101 - PREAMP EQUALIZER - RIGHT
- V2 - TONE CONTROL + VOL. AMP - LEFT + RIGHT
- V3 - VOLTAGE AMP. + DRIVER - LEFT
- V103 - VOLTAGE AMP. + DRIVER - RIGHT
- V301 - TUNING INDICATOR
- V302 - FM-AM IF AMP.
- V303 - FM IF
- V304 - LIMITER
- T301 - FM IF
- T302 - FM IF
- T303 - DETECTOR 10.7 FM IF
- T304 - 455 KC AM IF

- HIGHEST SERIES NUMBERS**
- C 320
  - R 330
  - D 303
  - T 304
  - L 303

**GENERAL NOTES:**

1. UNLESS OTHERWISE SPECIFIED: RESISTORS IN OHMS + 1/2 WATT CAPACITORS IN MFD.
2. ALL VOLTAGES D.C. ±15% MEASURED WITH 20,000 OHMS/VOLT VOM, NO SIGNAL AND 117V LINE
3. VOLTAGES FOR FRONT END MEASURED WITH SELECTOR SWITCH IN RESPECTIVE POSITION. (FM STEREO, AM)
4. \* VOLTAGE WITH STEREO SIGNAL
5. THE FOLLOWING CONTROLS IN THE LEFT CHANNEL ARE MECHANICALLY GANGED WITH IDENTICAL CONTROLS IN THE RIGHT CHANNEL:
  1. SPEAKERS
  2. NOISE FILTER
  3. TAPE RECORDER
  4. LOUDNESS

**SWITCHES FUNCTIONS:**

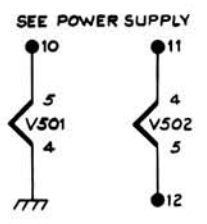
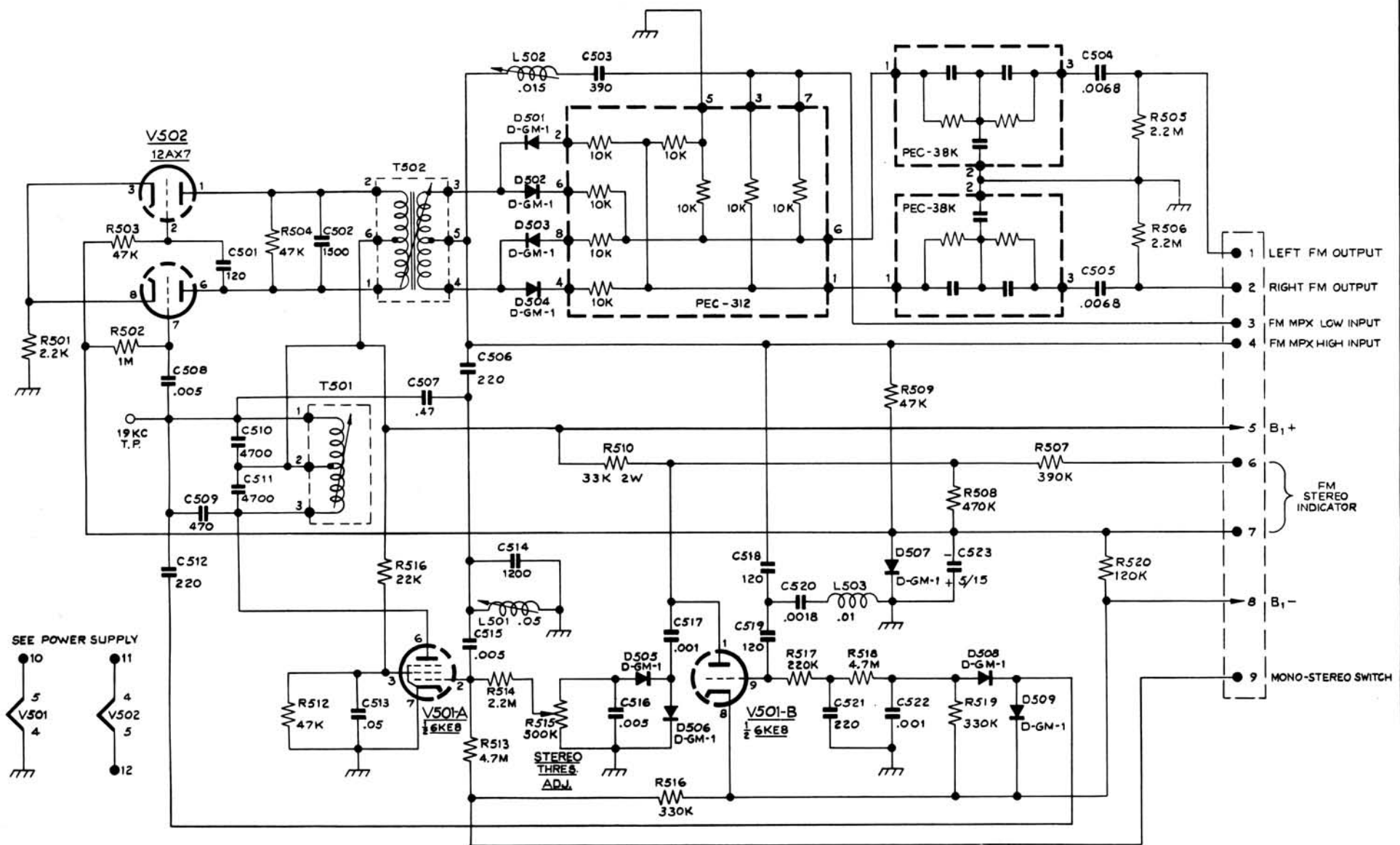
- SELECTOR**
- |          |              |
|----------|--------------|
| POSITION | FUNCTION     |
| 1        | PHONO MONO   |
| 2        | PHONO STEREO |
| 3        | STEREO FM    |
| 4        | MONO FM      |
| 5        | AM           |
| 6        | EXTRA        |
- SPEAKERS**
- |   |             |
|---|-------------|
| 1 | INTERNAL    |
| 2 | INT. - EXT. |
| 3 | EXTERNAL    |
| 4 | OFF         |

BERKLEY/EXETER  
TUNER

SEE SHEET 2

SEE SHEET 2

REVISIONS			
SYM	DESCRIPTION	DATE	APPR



**HIGHEST SERIES NUMBERS**  
 R520  
 C522  
 D509  
 L503  
 T502

**UNLESS OTHERWISE SPECIFIED:**  
 1. RESISTORS IN OHMS + 1/2 WATT.  
 2. CAPACITORS IN MFD.

**COMPONENT FUNCTIONS:**  
 V501 - COMP SYNC. AMP.  
 V502 - OSCILLATOR  
 T501 - 19KC FILTER  
 T502 - 38KC OSC.  
 L501 - 19KC TRAP  
 L502 - SCA TRAP

Z-MX-9 MULTIPLEX