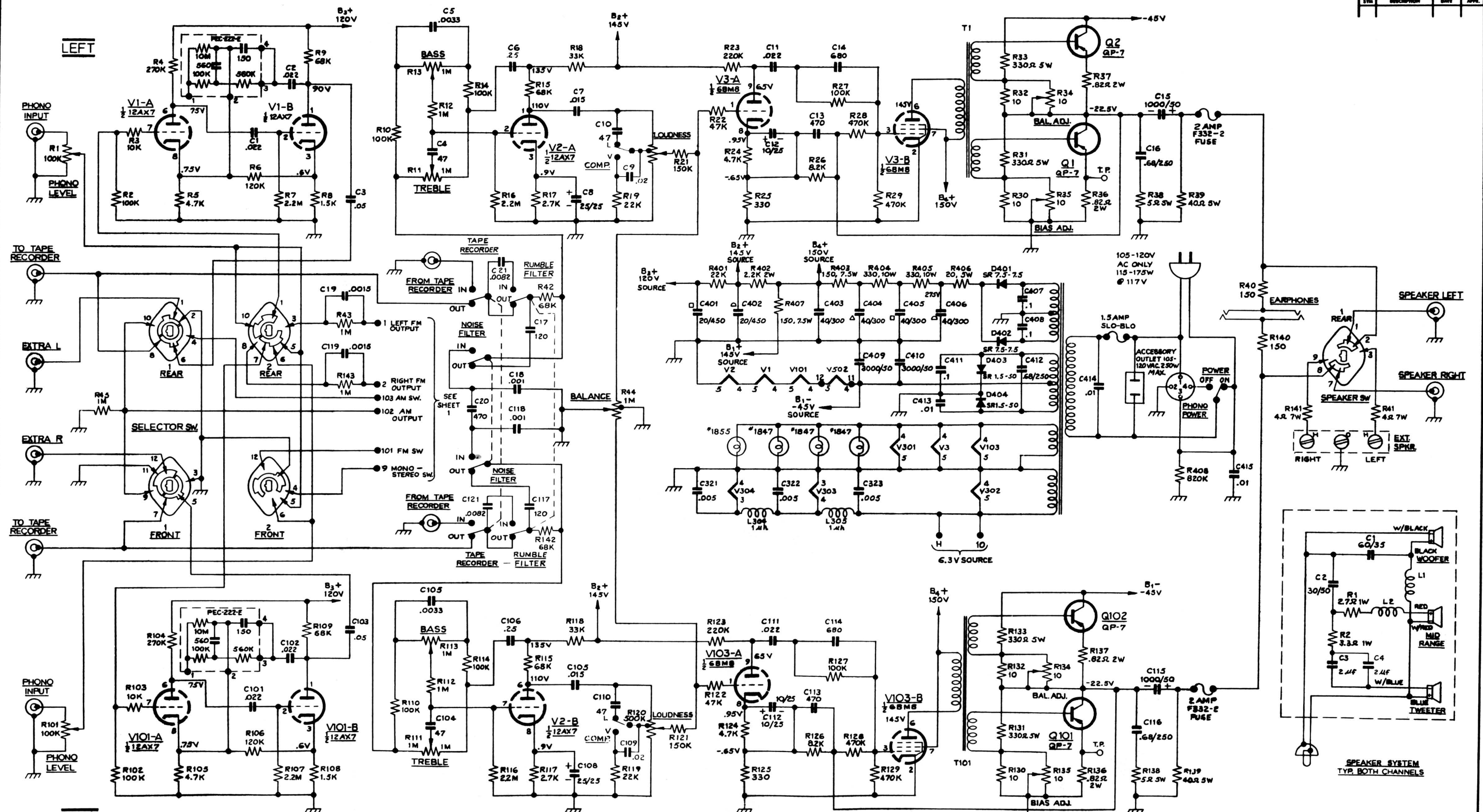


REVISIONS			
NO.	DESCRIPTION	DATE	APP.



HIGHEST SERIES NUMBERS

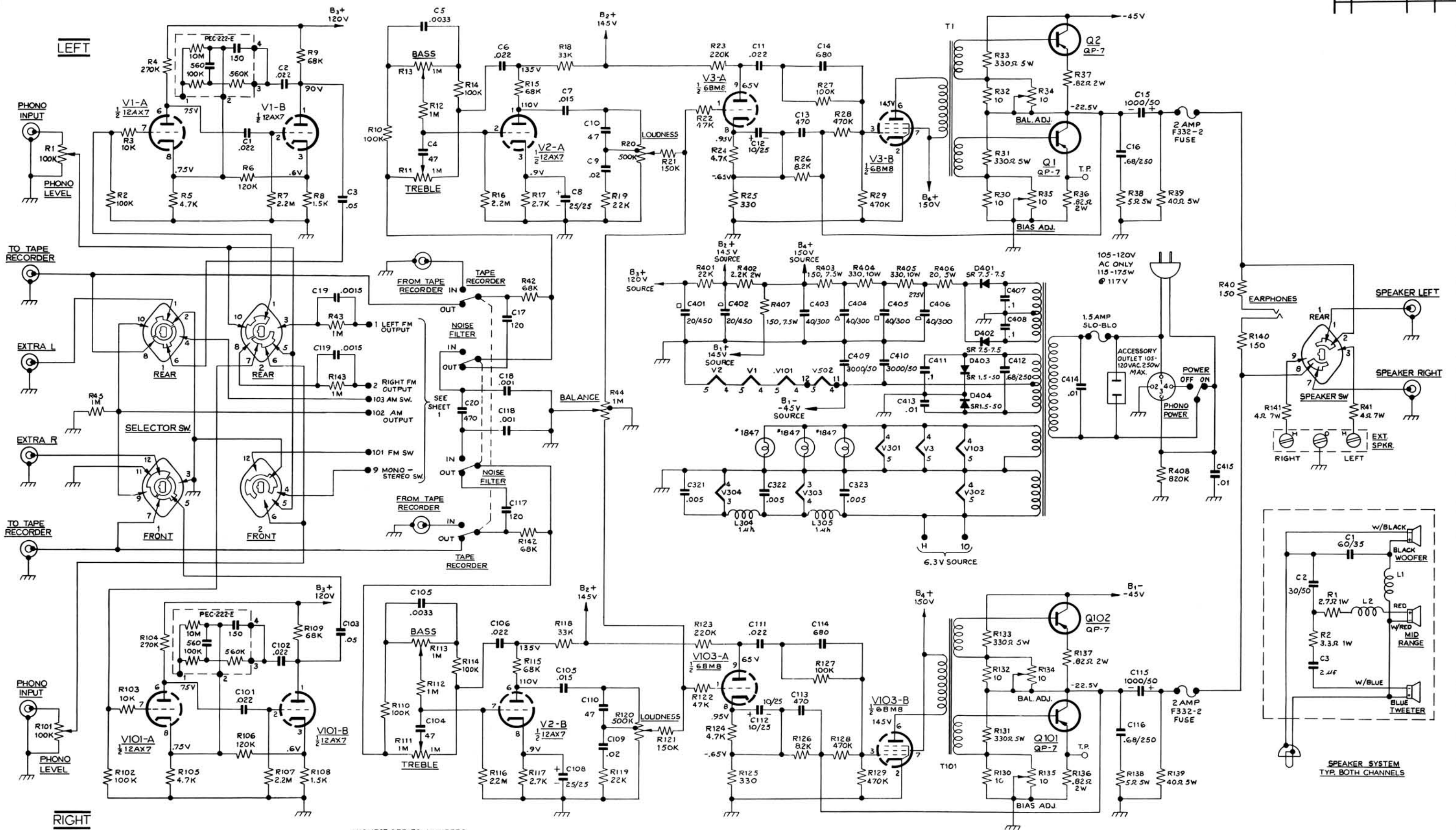
C20	C119	C415	C321-C323
R45	R143	R408	L304-L305
T1	T101	D404	

C8, C10B, C401, + C402 IN A SINGLE ENVELOPE.
 C403, C404, C405, + C406 IN A SINGLE ENVELOPE.

NOT USED C120

EXETER PREAMP
 AMPLIFIER, SPEAKERS

REVISIONS			
SYM	DESCRIPTION	DATE	APP

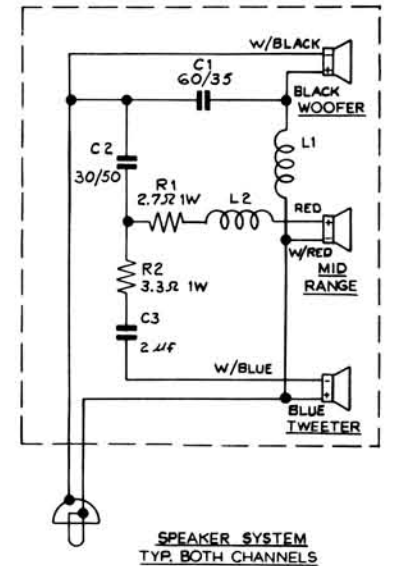


HIGHEST SERIES NUMBERS

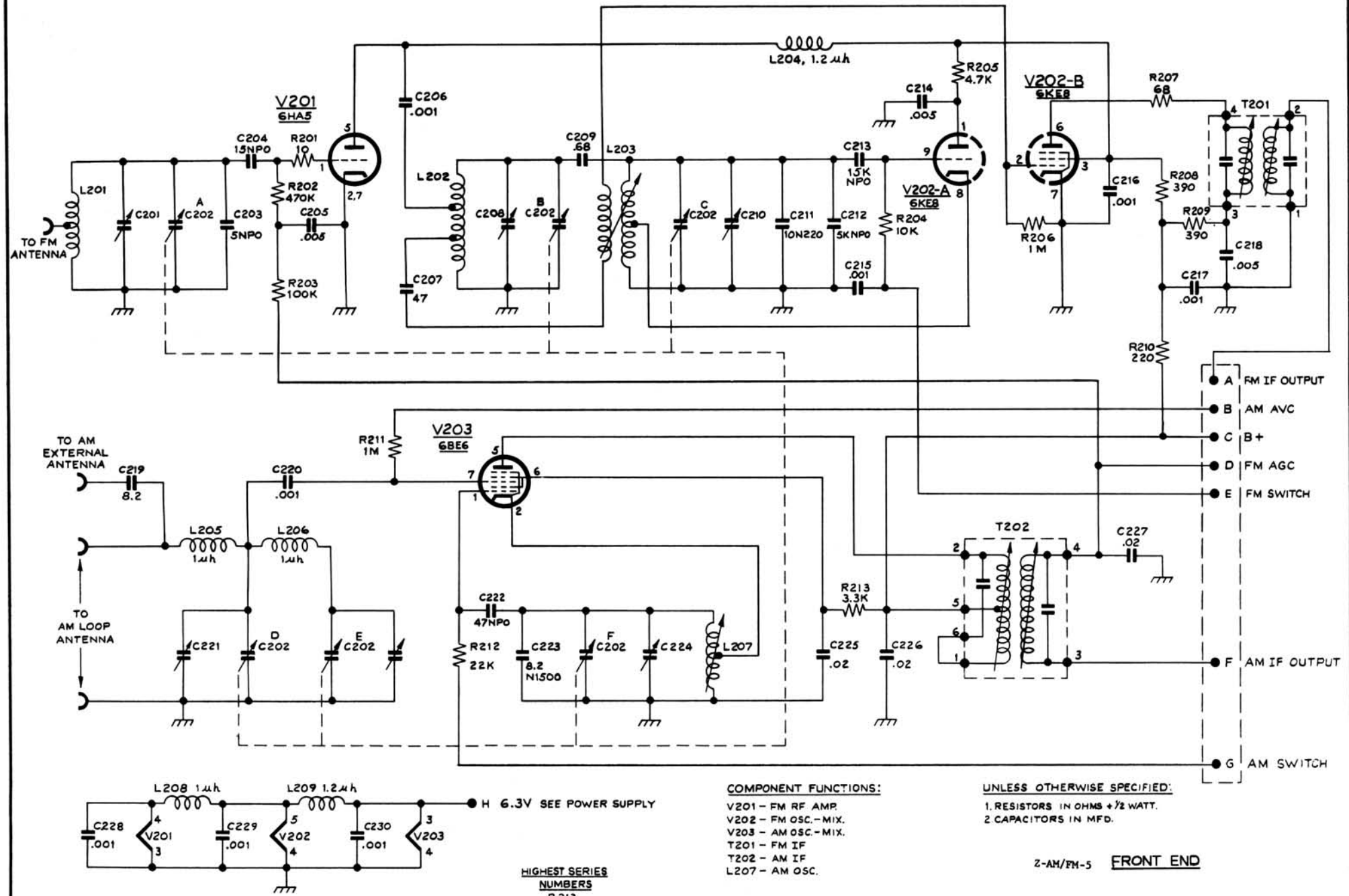
C20	C119	C415	C321-C323
R45	R143	R408	L304-L305
T1	T101	D404	

C8, C108, C401, + C402 IN A SINGLE ENVELOPE.
 C403, C404, C405, + C406 IN A SINGLE ENVELOPE.

**BERKLEY PREAMP
 AMPLIFIER, SPEAKERS**



REVISIONS			
SYM	DESCRIPTION	DATE	APPR.



- A FM IF OUTPUT
- B AM AVC
- C B+
- D FM AGC
- E FM SWITCH
- F AM IF OUTPUT
- G AM SWITCH

COMPONENT FUNCTIONS:

- V201 - FM RF AMP.
- V202 - FM OSC.-MIX.
- V203 - AM OSC.-MIX.
- T201 - FM IF
- T202 - AM IF
- L207 - AM OSC.

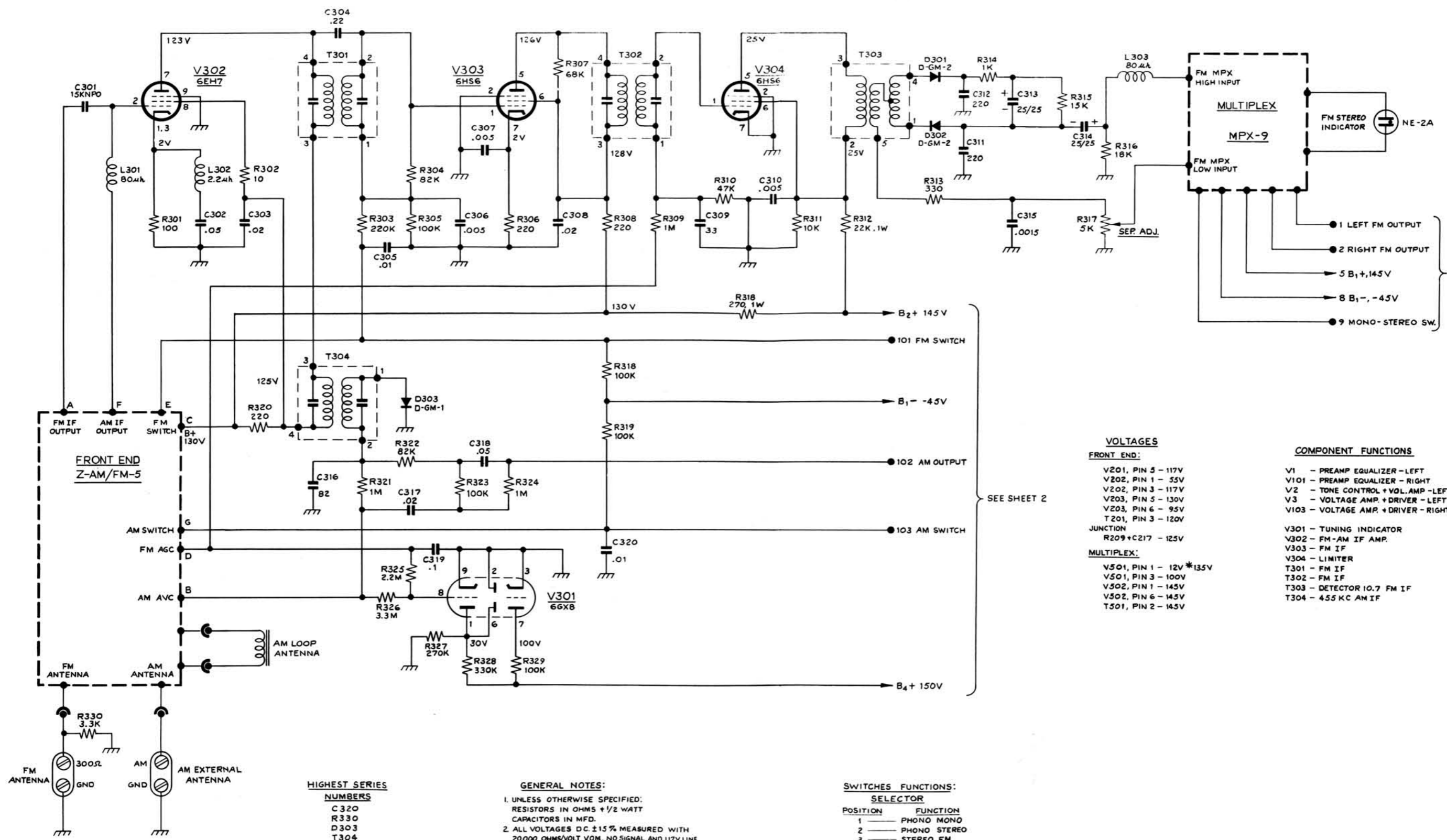
UNLESS OTHERWISE SPECIFIED:

- 1. RESISTORS IN OHMS + 1/2 WATT.
- 2. CAPACITORS IN MFD.

HIGHEST SERIES NUMBERS
 R 213
 C 230
 T 201
 L 209

Z-AM/FM-5 **FRONT END**

REVISIONS			
SYM	DESCRIPTION	DATE	APP.



VOLTAGES

FRONT END:

- V201, PIN 5 - 117V
- V202, PIN 1 - 35V
- V202, PIN 3 - 117V
- V203, PIN 5 - 130V
- V203, PIN 6 - 95V
- T201, PIN 3 - 120V

JUNCTION

- R209 + C217 - 125V

MULTIPLEX:

- V501, PIN 1 - 12V *135V
- V501, PIN 3 - 100V
- V502, PIN 1 - 145V
- V502, PIN 6 - 145V
- T501, PIN 2 - 145V

COMPONENT FUNCTIONS

- V1 - PREAMP EQUALIZER - LEFT
- V101 - PREAMP EQUALIZER - RIGHT
- V2 - TONE CONTROL + VOL. AMP - LEFT + RIGHT
- V3 - VOLTAGE AMP. + DRIVER - LEFT
- V103 - VOLTAGE AMP. + DRIVER - RIGHT
- V301 - TUNING INDICATOR
- V302 - FM-AM IF AMP.
- V303 - FM IF
- V304 - LIMITER
- T301 - FM IF
- T302 - FM IF
- T303 - DETECTOR 10.7 FM IF
- T304 - 455 KC AM IF

HIGHEST SERIES NUMBERS
 C 320
 R 330
 D 303
 T 304
 L 303

GENERAL NOTES:

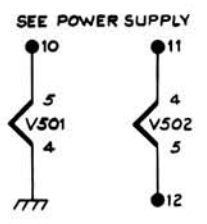
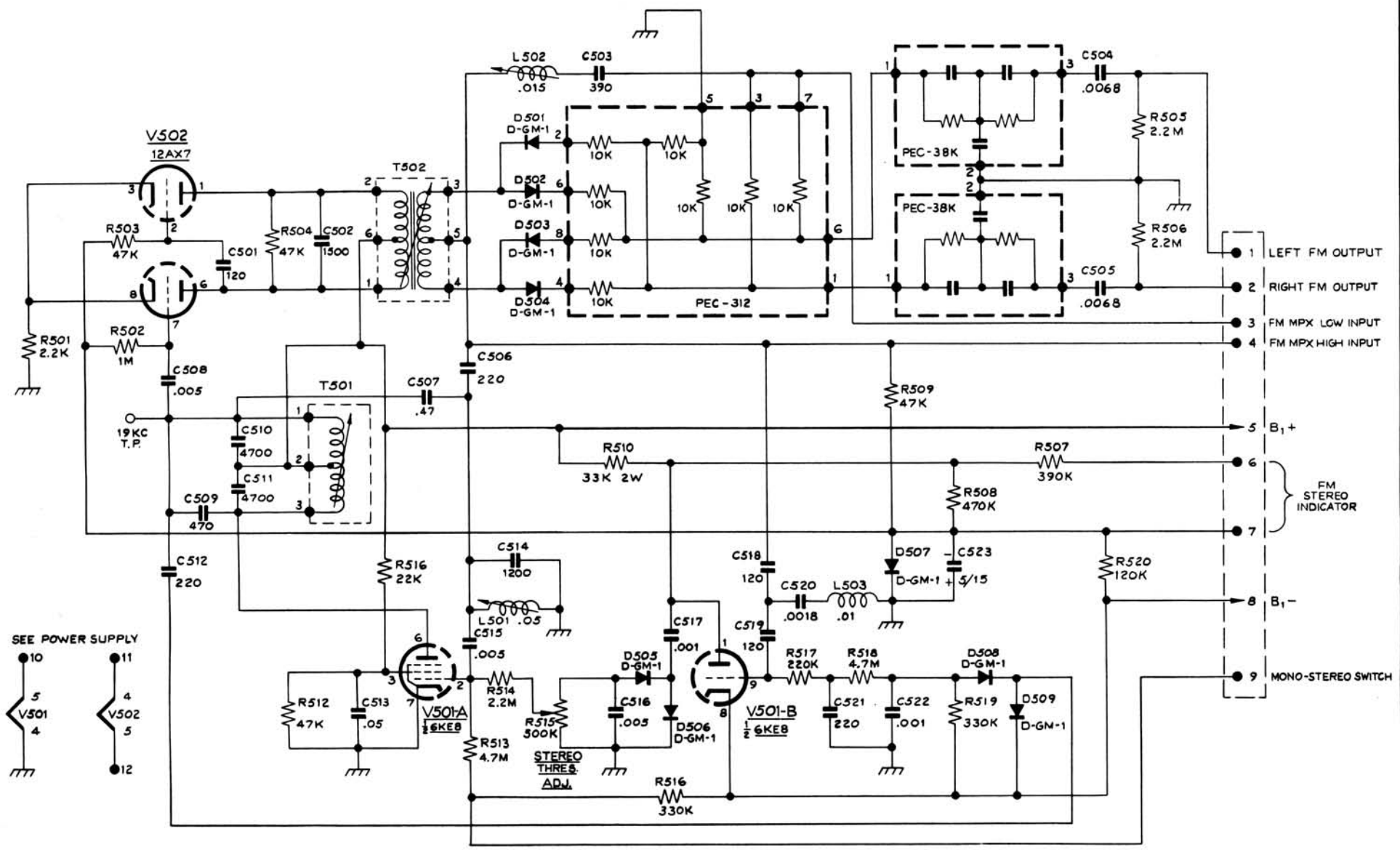
1. UNLESS OTHERWISE SPECIFIED: RESISTORS IN OHMS + 1/2 WATT CAPACITORS IN MFD.
2. ALL VOLTAGES DC ±15% MEASURED WITH 20,000 OHMS/VOLT VOM, NO SIGNAL AND 117V LINE
3. VOLTAGES FOR FRONT END MEASURED WITH SELECTOR SWITCH IN RESPECTIVE POSITION. (FM STEREO, AM)
4. * VOLTAGE WITH STEREO SIGNAL
5. THE FOLLOWING CONTROLS IN THE LEFT CHANNEL ARE MECHANICALLY GANGED WITH IDENTICAL CONTROLS IN THE RIGHT CHANNEL:
 1. SPEAKERS
 2. NOISE FILTER
 3. TAPE RECORDER
 4. LOUDNESS

SWITCHES FUNCTIONS:

- SELECTOR**
- | | |
|----------|--------------|
| POSITION | FUNCTION |
| 1 | PHONO MONO |
| 2 | PHONO STEREO |
| 3 | STEREO FM |
| 4 | MONO FM |
| 5 | AM |
| 6 | EXTRA |
- SPEAKERS**
- | | |
|---|-------------|
| 1 | INTERNAL |
| 2 | INT. - EXT. |
| 3 | EXTERNAL |
| 4 | OFF |

BERKLEY/EXETER TUNER

REVISIONS			
SYM	DESCRIPTION	DATE	APPR



HIGHEST SERIES NUMBERS
 R520
 C522
 D509
 L503
 T502

UNLESS OTHERWISE SPECIFIED:
 1. RESISTORS IN OHMS + 1/2 WATT.
 2. CAPACITORS IN MFD.

COMPONENT FUNCTIONS:
 V501 - COMP SYNC. AMP.
 V502 - OSCILLATOR
 T501 - 19KC FILTER
 T502 - 38KC OSC.
 L501 - 19KC TRAP
 L502 - SCA TRAP

Z-MX-9 MULTIPLEX