

STEREO SELECTOR SWITCH

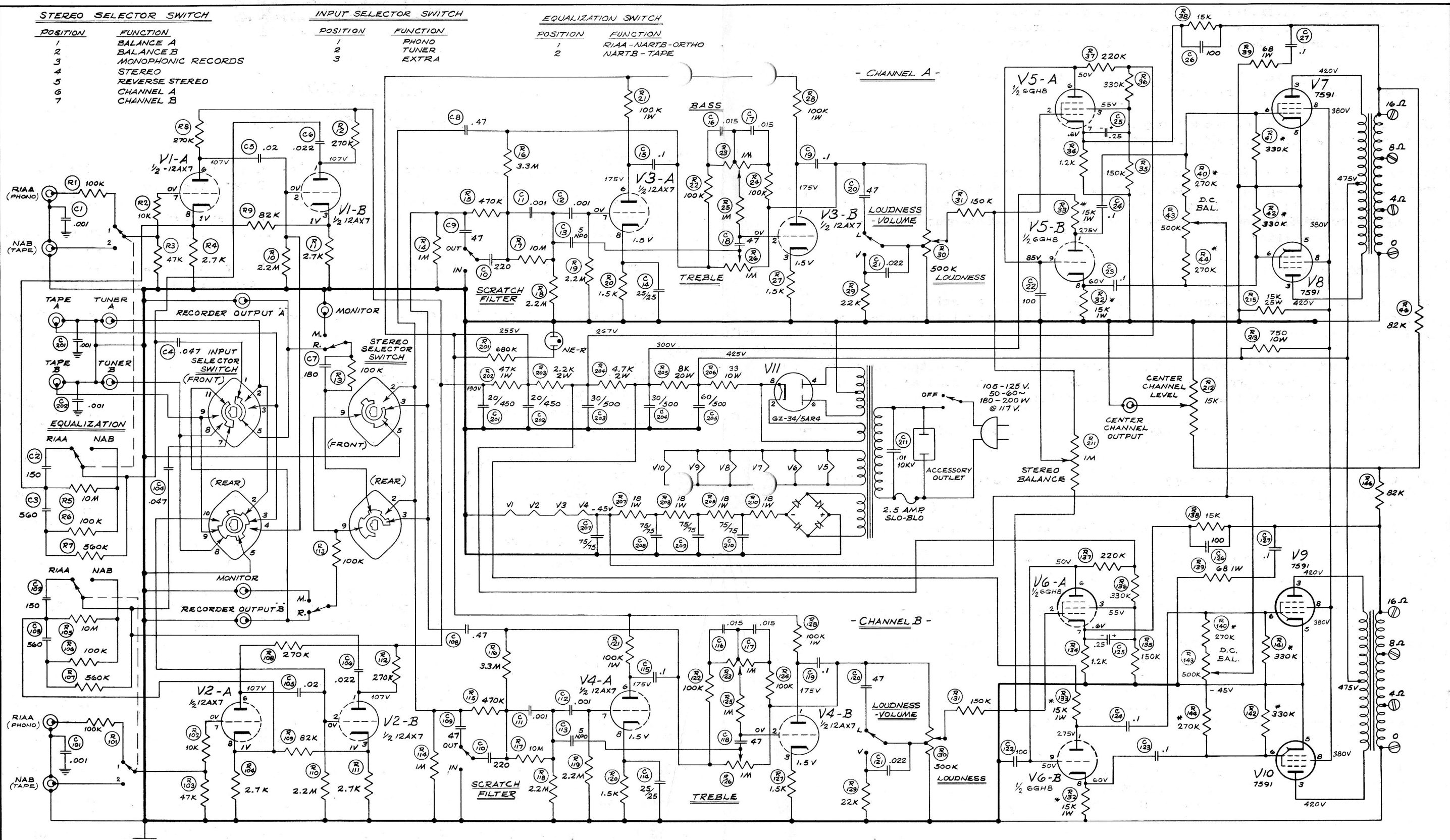
POSITION	FUNCTION
1	BALANCE A
2	BALANCE B
3	MONOPHONIC RECORDS
4	STEREO
5	REVERSE STEREO
6	CHANNEL A
7	CHANNEL B

INPUT SELECTOR SWITCH

POSITION	FUNCTION
1	PHONO
2	TUNER
3	EXTRA

EQUALIZATION SWITCH

POSITION	FUNCTION
1	RIAA-NARTB-ORTHO
2	NARTB-TAPE



THE FOLLOWING CONTROLS IN CHANNEL 'A' ARE MECHANICALLY GANGED WITH IDENTICAL CONTROLS IN CHANNEL 'B'...

1. INPUT SELECTOR
2. EQUALIZATION
3. SCRATCH FILTER
4. LOUDNESS - VOLUME
5. LOUDNESS - POWER SWITC.

TYPE LK-72 STEREO AMPLIFIER KIT

REVISIONS

REVISED PER	DATE	BY
ECC 530	11/23/60	RMM
REVISOR PER		
ECC 610	9/14/61	W.C.
ECC 716	7/27/62	W.C.

1. ALL VOLTAGES D.C. ± 5% MEASURED WITH V.T.V.M.	SCALE: ~	LK-72 CIRCUIT DIAGRAM	10/18/60.
2. NO INPUT SIGNAL & 117 VOLT LINE			
3. SWITCHES SHOWN IN MAXIMUM C.C.W. POSITION			
4. MATCHED RESISTORS			
DR. CASSIDY	ENG. [Signature]	H. H. SCOTT, INC. MAYNARD, MASS., U.S.A.	
CH.	PROD.	DWG. NUMBER D-LK-72-C1 SUB. 3	

HIGHEST NOS: R46, R146, R215
C27, C27, C211
R45 & R145 OUT