

D208
KLRII3E

(R. CH)
PHONO
CD / DAT
REC OUT
TAPE
PLAYBACK

(L. CH)
PHONO
CD / DAT
REC OUT
TAPE
PLAYBACK

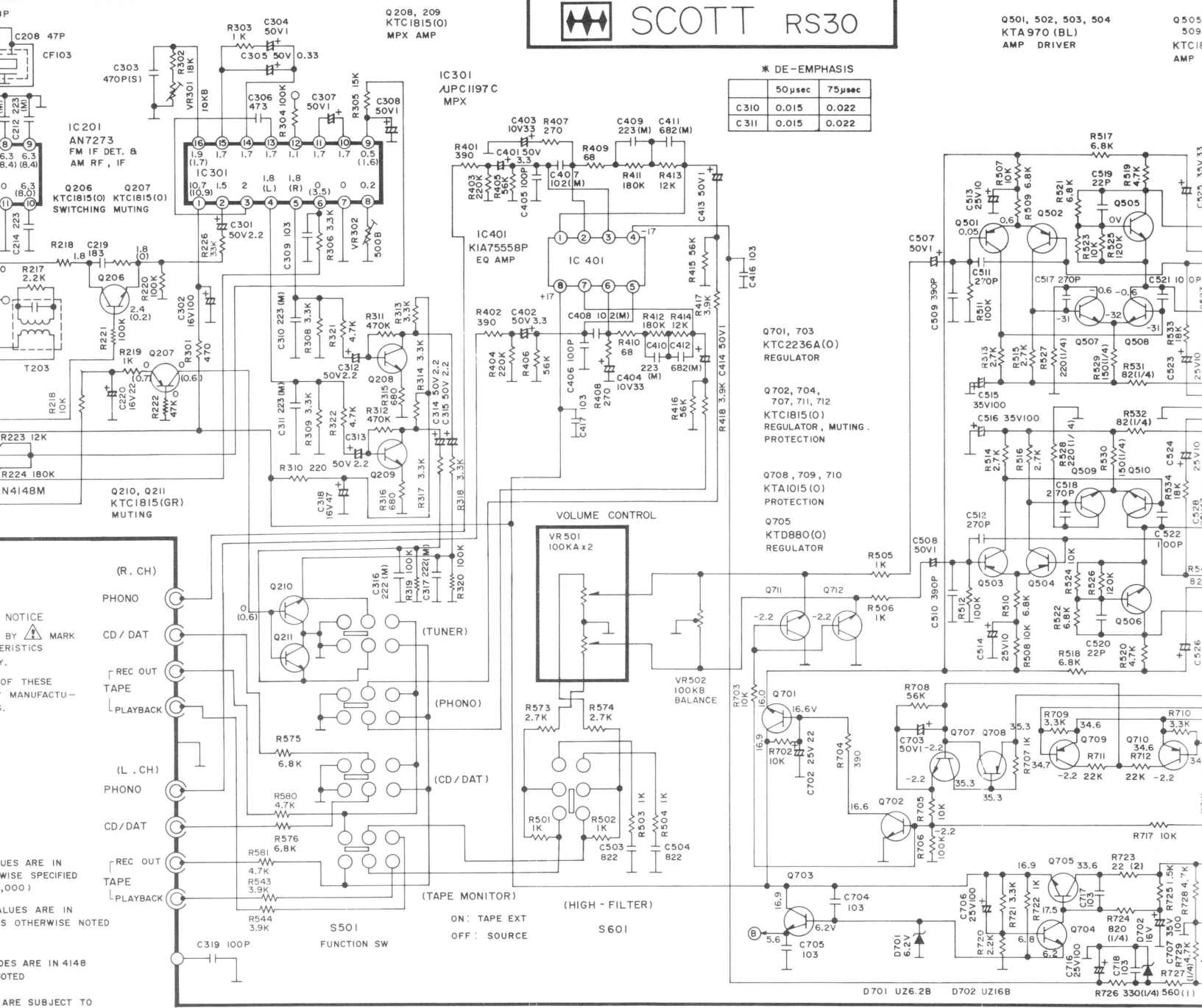
NOTE

1. ALL RESISTANCE VALUES ARE IN OHMS UNLESS OTHERWISE SPECIFIED (K=1,000 M=1,000,000)
2. ALL CAPACITANCE VALUES ARE IN MICROFARADS UNLESS OTHERWISE NOTED (P=1/1,000,000)
3. THE TYPE NO OF DIODES ARE IN 4148 UNLESS OTHERWISE NOTED
4. COMPONENT VALUES ARE SUBJECT TO CHANGE WITHOUT NOTICES

SCHEMATIC DIAGRAM



SCOTT RS30



Q208, 209
KTC1815(O)
MPX AMP

IC301
AJPCC1197C
MPX

IC401
KIA7555BP
EQ AMP

* DE-EMPHASIS

	50µsec	75µsec
C310	0.015	0.022
C311	0.015	0.022

Q501, 502, 503, 504
KTA970 (BL)
AMP DRIVER

Q505
509
KTC1815(O)
AMP DRIVER

NOTICE
BY MARK
CHARACTERISTICS
OF THESE
MANUFACTURERS
VALUES ARE IN
UNLESS OTHERWISE SPECIFIED
(0.000)
VALUES ARE IN
UNLESS OTHERWISE NOTED
VALUES ARE IN 4148
UNLESS OTHERWISE NOTED
VALUES ARE SUBJECT TO
NOTICES

ON: TAPE EXT
OFF: SOURCE

D701 UZ6.2B D702 UZ16B

R726 330(1/4) 560(1)

RAM

SCOTT MODEL RS30

RS30

Q501, 502, 503, 504
KTA970 (BL)
AMP DRIVER

Q505, 506, 507, 508
509, 510
KTC1815 (O)
AMP BIAS, DRIVER

Q511, 512
KTC1627A (Y)
AMP DRIVER

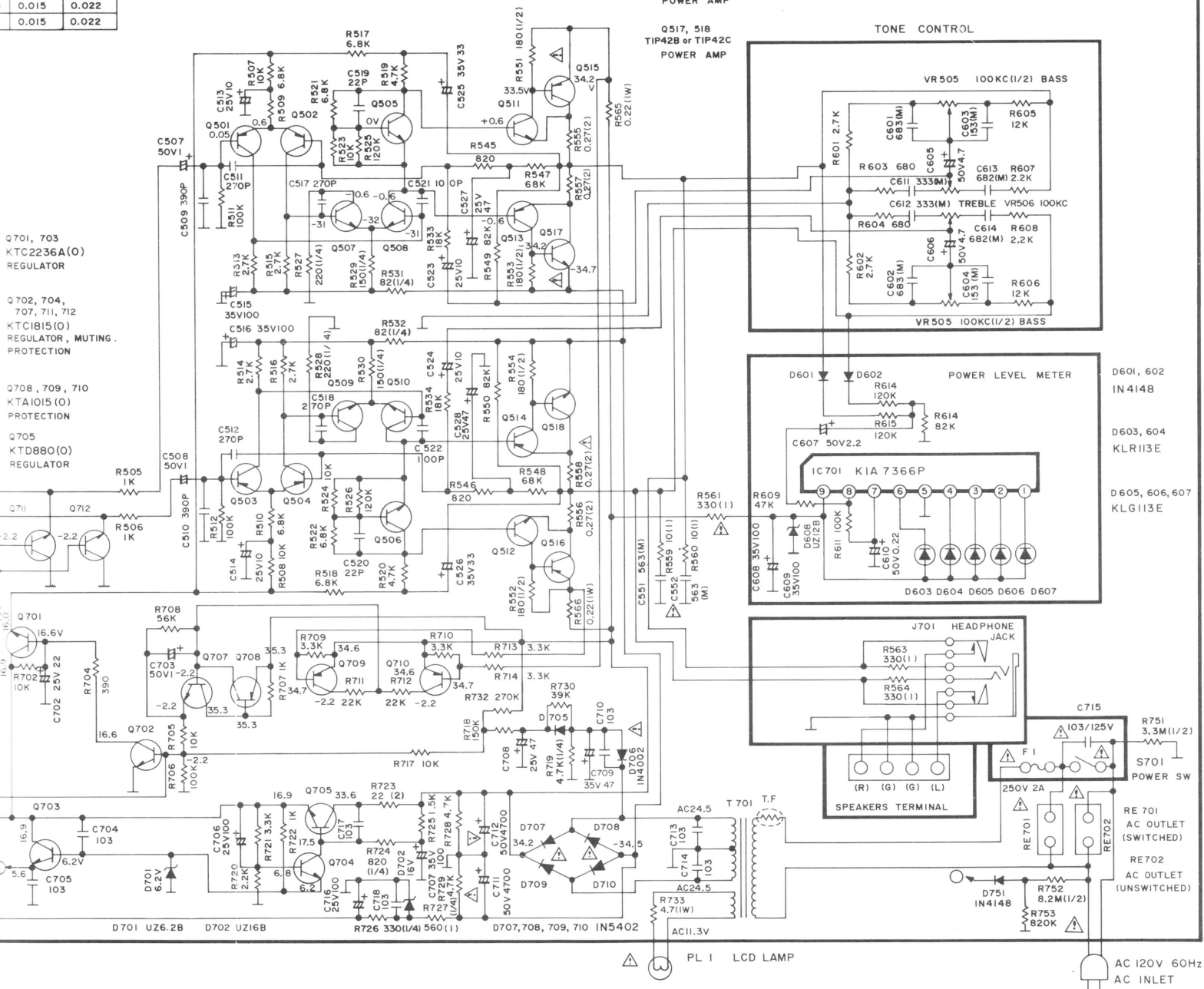
Q513, 514
KTAB17A (Y)
AMP DRIVER

Q515, 516
TIP41B or TIP41C
POWER AMP

Q517, 518
TIP42B or TIP42C
POWER AMP

* DE-EMPHASIS

50μsec	75μsec
0.015	0.022
0.015	0.022



Q701, 703
KTC2236A (O)
REGULATOR

Q702, 704,
707, 711, 712
KTC1815 (O)
REGULATOR, MUTING
PROTECTION

Q708, 709, 710
KTA1015 (O)
PROTECTION

Q705
KTD880 (O)
REGULATOR

Q711

Q712

Q701

Q702

Q703

Q704

Q705

Q706

Q707

Q708

Q709

Q710

Q711

Q712

Q713

Q714

Q715

Q716

Q717

Q718

Q719

Q720

Q721

Q722

Q723

Q724

Q725

Q726

Q727

Q728

Q729

Q730

Q731

Q732

Q733

D601, 602
IN4148

D603, 604
KLR113E

D605, 606, 607
KLG113E

J701 HEADPHONE
JACK

SPEAKERS TERMINAL

RE 701
AC OUTLET
(SWITCHED)

RE 702
AC OUTLET
(UNSWITCHED)

PL I LCD LAMP

AC 120V 60Hz
AC INLET