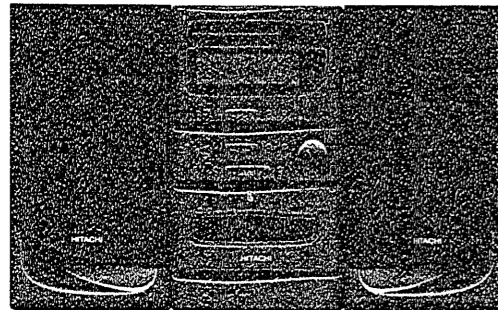


HITACHI

SERVICE MANUAL



YS

No. 0032E

AX-6

[UC, E, E(BS), E(Z), W, W(UN), W(AU)]

TN-1800Z-143

CONTENTS

SPECIFICATIONS	3
SERVICE POINTS	4
ADJUSTMENTS	11
WIRING DIAGRAM	17
PRINTED WIRING BOARD	19
CIRCUIT DIAGRAM	23
BLOCK DIAGRAM	35
EXPLODED VIEW	37
REPLACEMENT PARTS LIST	42

CAUTION DANGER

Invisible laser radiation when open and interlocks failed or defeated. AVOID DIRECT EXPOSURE TO BEAM.

GEFAHR

Unsichtbare Laser-Strahlung wenn Interlock (Blockierung) funktionsuntüchtig oder abgeschaltet.
UNMITTELBAREN KONTAKT MIT DEM STRAHL UNBEDIGT VERMEIDEN.

DANGER

Faire très attention aux radiations émises par le faisceau laser invisible au défaillance du verrouillage.
NE JAMAIS S'EXPOSER DIRECTEMENT AU FAISCEAU.

WARNING

När apparaten öppnats och skyddsanordningen felar eller satts ur funktion förekommer osynlig laserstrålning.
UNDVIK DIREKTE BESTRÅLNING.

ADVARSEL

Når apparatet åbnes og beskyttelsesanordningen ikke virker eller sættes un af funktion, forekommer der usynlig laserstrålning. UNDGÅ DIREKTE BESTRÅLING.

ADVARSEL

Når denne delen er åpen som følge av at låsen er utkopleet eller ikke fungerer, eksisterer det usynlig laserstrålning.
UNNGÅ Å BLI UTSATT FOR DIREKTE BESTRÅLING!

VARIOITS

Laitte lähettää näkymätöntä lasersäteilyä, kun se avataan ja kun sisäiset turvalukot eivät toimi.
VARO JOUTUMASTA ALTTIIKSI SÄTEILYLLE.

SPECIFICATIONS AND PARTS ARE SUBJECT TO CHANGE FOR IMPROVEMENT

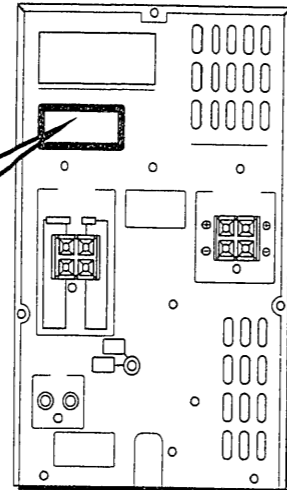
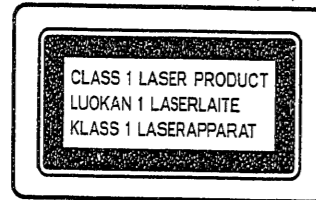
MICRO COMPONENT SYSTEM

MARCH 1995

HITACHI CONSUMER PRODUCTS (S)

• The caution labels on laser usage

(FOR E, E(BS), E(Z), W, W(UN), W(AU))



Inside of the set is a laser component emitting a laser radiation over the limit for laser class 1.

In dem Gerät befindet sich eine Laser-Komponente, die eine Laserstrahlung über dem Grenzwert für LaserOKlasse 1 ausstrahlt.

A l'intérieur de l'appareil se trouve un composant à rayonnement laser soumis aux normes de limitation laser de classe 1.

All'interno dell'unità è presente un componente al laser che emette radiazioni al di sopra del limite per i laser di classe 1.

Binnen in dit apparaat bevindt zich een laseronderdeel dat laserstralen boven de limiet voor laser klasse 1 uitzendt.

Dentro del aparato hay un elemento de láser que emite radiación láser por encima de límite para la clase 1.

Inuti apparaten finns en laserkomponent som avger laserstrålning över gränsen för laser klass 1.

Indeni apparatet findes en laserkomponent, der giver en laserbestråling, der ligger over grænsen for laser klasse 1.

Dentro do aparelho há um componente laser que emite radiação laser superior ao limite para a classe Laser 1.

ADVARSEL

Usynlig laserstråling ved åbning, når sikkerhedsafbrydere er ude af funktion.
Se ikke ind i strålen-heller ikke med optiske instrumenter.

ADVARSEL

Usynlig laserstråling når deksel åbnes og sikkerhedslås brytes.
Stir ikke inn i strålen eller se direkte med optiske instrumenter.

VARO!

Avattaessa ja suojauslaitteet ohitettaessa olet alltiina näkymättömälle laser-säteilylle.
Älä tuijota säteeseen äläkä katso sitä optisen laitteen läpi.

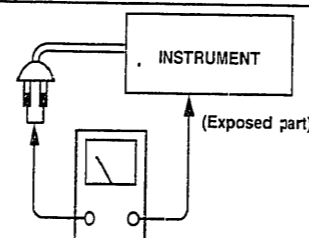
WARNING

Osynlig laserstrålning när denna del är öppnad och spärren är urkopplad.
Stirra ej in i strålen och betrakta ej strålen genom optiskt instrument.

Check that exposed parts are acceptably insulated from the supply circuit before returning the repaired instrument to the customer.

• **Checking method**

Measure the resistance value between the both poles of attachment cup (Power supply plug) and the exposed parts (Parts such as Knob, Cover, etc. where the customer is easy to touch.) and check that the resistance value is 500 kohms or more.



Insulation tester (DC 500V)

SAFETY PRECAUTIONS

The following precautions should be observed when servicing.

1. Since many parts in the unit have special safety-related characteristics, always use genuine Hitachi's replacement parts. Especially critical parts in the power circuit block should not be replaced with other makers. Critical parts are marked with Δ in the circuit diagram and printed wiring board.
2. Before returning a repaired unit to the customer, the service technician must thoroughly test the unit to ascertain that it is completely safe to operate without danger of electrical shock.

SPECIFICATIONS

• **TUNER SECTION**

Circuit system: FM/MW/LW 3 bands [E, E(BS), E(Z)]
FM/AM2 bands [UC, W, W(UN), W(AU)]
Tuning range: [For UC]
FM: 87.9 - 107.9 MHz (100kHz step)
AM: 530 - 1,710 kHz (10 kHz step)
[For E, E(BS), E(Z)]
FM: 87.5 - 108 MHz (50 kHz step)
MW: 522 - 1611 KHz (9 kHz step)
LW: 153 - 281 kHz (1 kHz step)
[For W, WUN, WAU]
FM: 87.5 - 108 MHz (50 kHz step)
AM: 522 - 1611KHZ (9 kHz step)
AM: 530 - 1710KHZ (10 kHz step)
IEC Sensitivity: [FOR UC, W, W(UN), W(AU)]
FM: 1.5 μ V/75 ohms
AM: 1000 μ V/m
[For E, E(BS), E(Z)]
FM: 1.5 μ V/75 ohms
MW: 1500 μ V/m (Loop antenna)
LW: 3500 μ V/m (Loop antenna)

• **TAPE DECK SECTION**

Track system: 4 tracks, 2 channels
Recording system: AC bias
Erasing system: AC erase
Tape: TAPE: Recording/Playback
Normal/CrO₂/Meta1 (Playback only)
Tape speed: 4.75 cm/s
Frequency response: Normal: 50 - 15,000 Hz
CrO₂: 50 - 16,000 Hz

• **AMPLIFIER SECTION**

Input sensitivity/Impedance: MIC: 4 mV (10 kohms)
AUX: 700 mV (30 kohms)
(US pin sockets)
Output impedance: External speaker terminals
Suitable impedance: 6 - 16 ohms
Headphones
Suitable impedance: 8 - 100 ohms
Audio output: 15 W + 15 W (6 ohms, T.H.D. 10%)

• **TIMER SECTION**

System: Digital quartz clock
Display format: 24-hour cycle [for E, E(BS), E(Z), W, W(UN), W(AU)]
12-hour cycle [for UC]
Timer accuracy: Within 60 seconds at monthly rate

• **CD PLAYER SECTION**

Number of channels: 2
Frequency Response: 20 - 20,000 Hz
Disc: 12 cm/8 cm
Laser Diode Properties: Wavelength: 785 nm
Laser output: Less than 175 μ W
(IEC Pub 825)
Less than 48.5 μ W
(FDA CFR 21)

• **GENERAL SPECIFICATION**

Power supply: AC 120 V, 60 Hz [For UC]
AC 230 V, 50 Hz [For E, E(BS), E(Z)]
AC 110 V - 120 V, 220 V - 240 V,
50/60 Hz [for W, W(UN), W(AU)]
Battery: 4.5 V [3 x JIS R6P (JIS SUM-3) OR "AA" Cell or IEC R6] (Optional)
Power consumption: 50 W
Dimensions: 160 (W) x 260 (H) x 257 (D) mm
Weight: 4.5 kg (With batteries)

• **SPEAKER SECTION**

System: 2-way bass reflex speaker system
Speakers: Bass reflex: 12cm x 1; 5cm x 1
Impedance: 6 ohms
Maximum Input Power: 25 W (music peak signal)
Dimensions: 150 (W) x 260 (H) x 200 (D) mm
Weight: 1.9 kg

* Specifications are subject to change without notice for performance improvement.

SERVICE POINTS

1. **Removal of Top Cover (Fig. 1)**
 - (1) Remove 3 screws ① from each side.
 - (2) Remove 3 screws ② from the rear plate.
2. **Removal of Rear Plate (Fig.2)**
 - (1) Remove 11 screws ③ from the rear plate.
[For E, E(BS), E(Z), remove 1 more screw ③.]
3. **Removal of CD Mecha Deck (Fig. 3)**
 - (1) Disconnect 4 connectors ④ from the CD P.W.B.
 - (2) Remove 4 screws ④ from the CD Mecha Deck and then remove it from the Main Chassis .
4. **Removal of Bottom Chassis (Fig. 4)**
 - (1) Remove 2 screws ⑤ from the bottom chassis, and then disconnect 2 connectors ⑥.
5. **Removal of Transformer and Battery compartment (Fig. 5)**
 - (1) Remove 4 screws ⑥ from the transformer.
 - (2) Remove 1 screw ⑦ from the battery compartment.
6. **Removal of Front Panel, Cassette Door and Mic Volume P.W.B (Fig. 6 & Fig. 7)**
 - (1) Remove 3 screws ⑧ from the main chassis, then disconnect 1 connector ⑨.
 - (2) Remove Volume knob.
 - (3) Eject the cassette door at the open position and remove the front panel at the arrow direction.
 - (4) Remove the eject spring and gently squeeze together the bottoms of the cassette door latches. When the latches are free of the pivot holes, remove the cassette door by pulling it forward. (Fig. 7)
 - (5) Remove 2 screws ⑨ and 1 washer from the Front Panel for the removal of the Mic Volume P.W.B. (Fig. 7)
7. **Removal of Switch P.W.B (Fig. 8)**
 - (1) Remove 3 screws ⑩ from the Main Chassis and then disconnect 1 connector ⑩.
8. **Removal of Volume P.W.B and Volume Gear (Fig. 9)**
 - (1) Remove 2 screws ⑪ from the Main Chassis and then disconnect 1 connector ⑪. Remove 2 screws ⑫ for the removal of Volume Gear.
9. **Removal of Main P.W.B (Fig. 10)**
 - (1) Remove 4 screws ⑬ from the Main Chassis.
 - (2) Pull out the main P.W.B gently from the CD P.W.B to disconnect 2 connectors ⑬ and then disconnect 2 connectors ⑭.
10. **Removal of Tuner P.W.B (Fig. 11)**
 - (1) Remove 3 screws ⑮ from the Main Chassis.
 - (2) Pull out the Tuner P.W.B gently from CD P.W.B to disconnect ⑮ and then disconnect ⑯.

11. **Removal of Cassette Mecha deck (Fig. 12)**
 - (1) Remove 4 screws ⑰, and remove the cassette mechanism from the Main Chassis, and then disconnect 1 connector ⑰.

12. **Removal of CD P.W.B (Fig. 13)**
 - (1) Remove 4 screws ⑱ from the Main Chassis.

13. **Removal of Lamp P.W.B and LCD Holder (Fig. 14)**
 - (1) Gently release 1 latch from each side and then pull out the Lamp P.W.B.
 - (2) Remove 1 connector ⑲ from the CD P.W.B.
 - (3) Unsolder the LCD and pull out toward the arrow direction.

14. **Installing Cassette Doors (Fig. 15 & Fig. 16)**
 - (1) Insert the pivots of the cassette door into the pivot holes in the front panel.
 - (2) Install the eject spring so that it rest in the slot of the Front Panel.

Cautions when servicing**(a) Semiconductor laser (Fig.17)**

The semiconductor laser is very sensitive to electrostatic breakdown and surge current. Do not touch the terminals of the semiconductor laser and FLEXIBLE P.W.B with your finger or tools.

Relationship between current and light intensity is shown in Fig. 16. When the threshold current is exceeded, intensity changes steeply. The threshold current value is a little different depending on individual laser.

(b) Handling of the unit mechanism section (Fig. 18)

When handling the pickup mechanism section or the unit mechanism section, use the grounding ring as shown in Fig.18. (The grounding ring can be made from normal lead wire.)

(c) Replacing pickup mechanism(Fig.19 & Fig.20)

When replacing a new pickup mechanism, remove the solder of the short point.

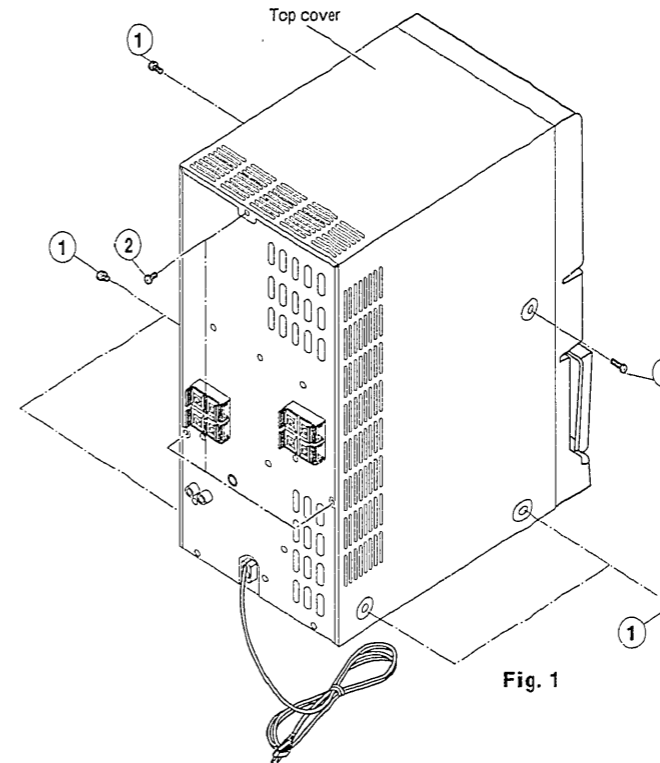


Fig. 1

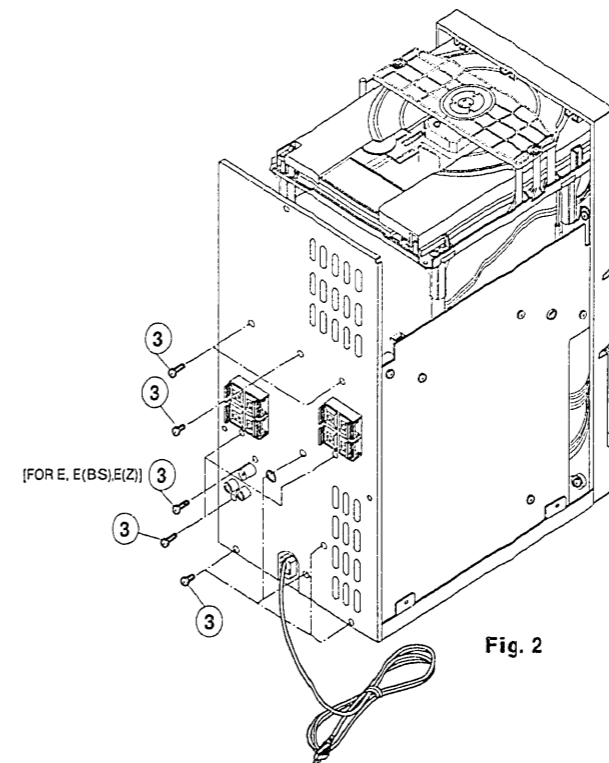


Fig. 2

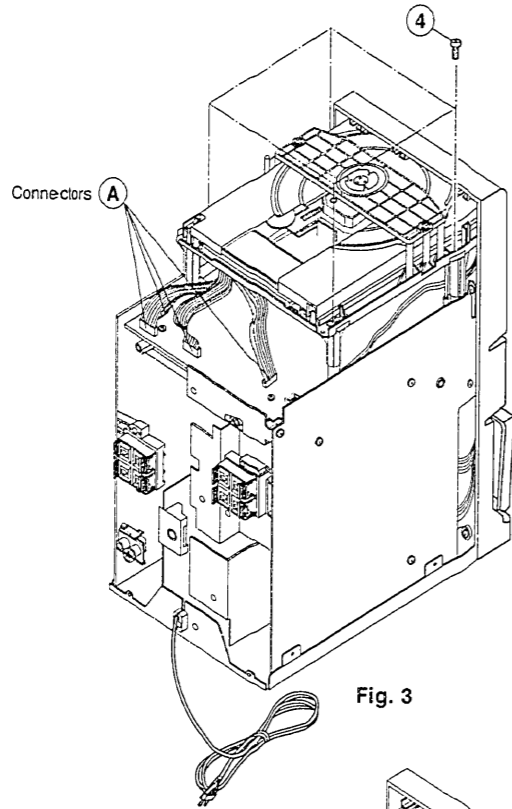


Fig. 3

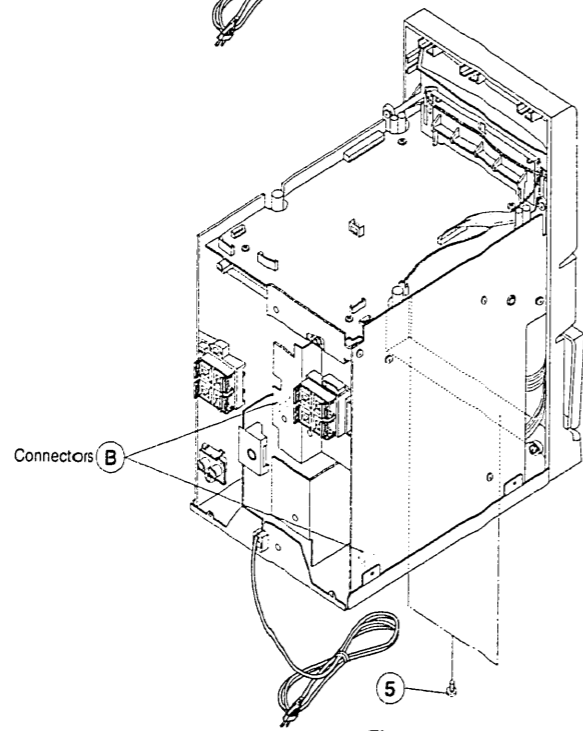


Fig. 4

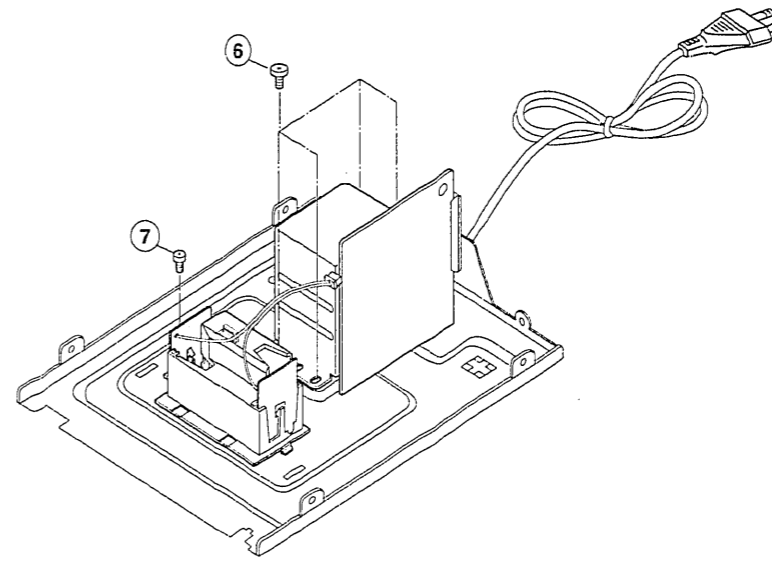


Fig. 5

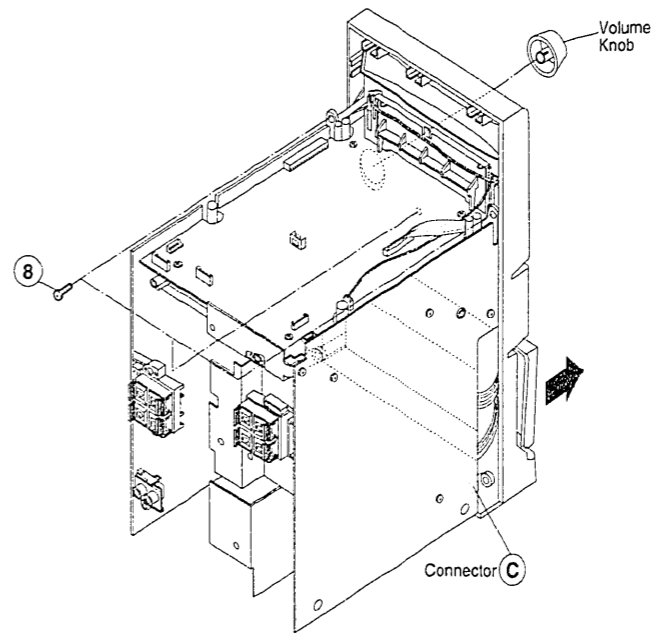


Fig. 6

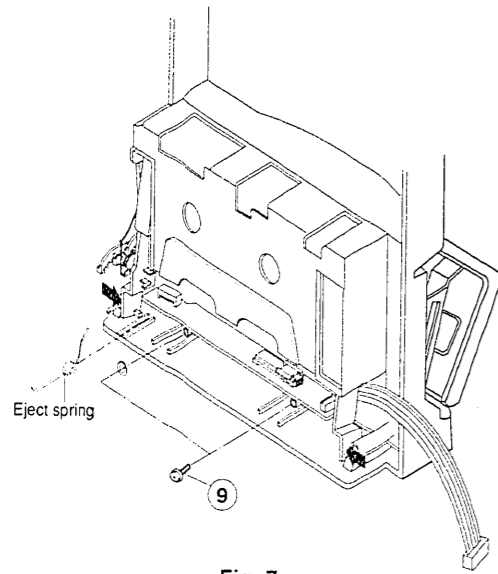


Fig. 7

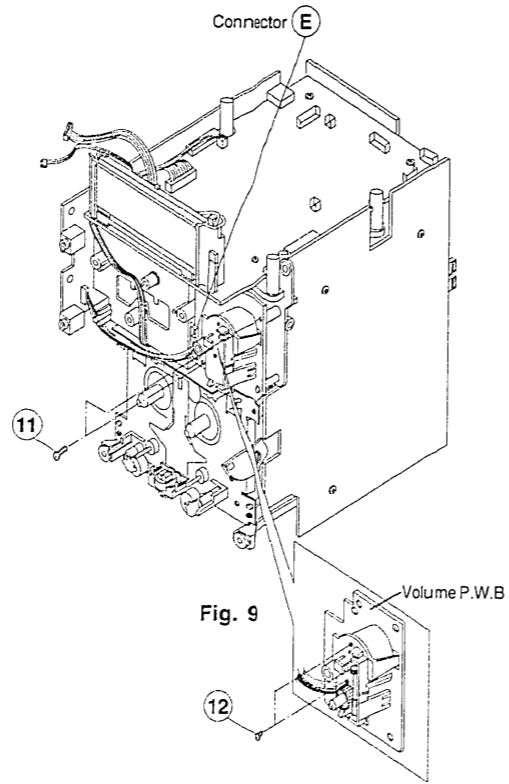


Fig. 9

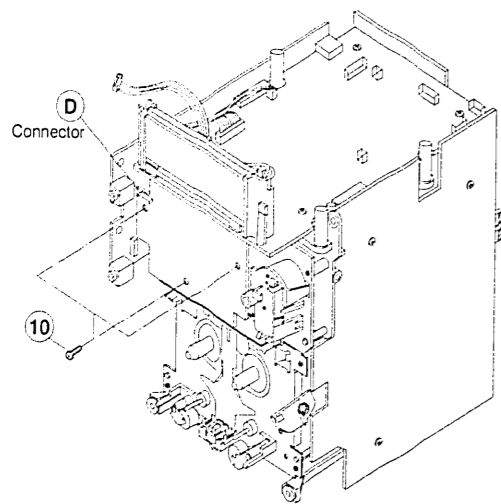


Fig. 8

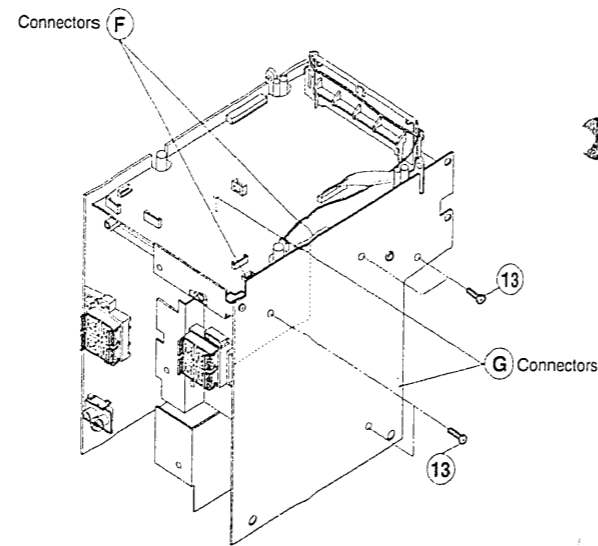


Fig. 10

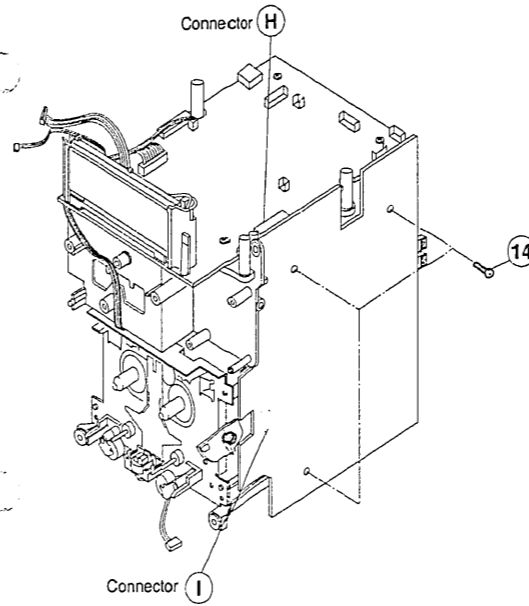


Fig. 11

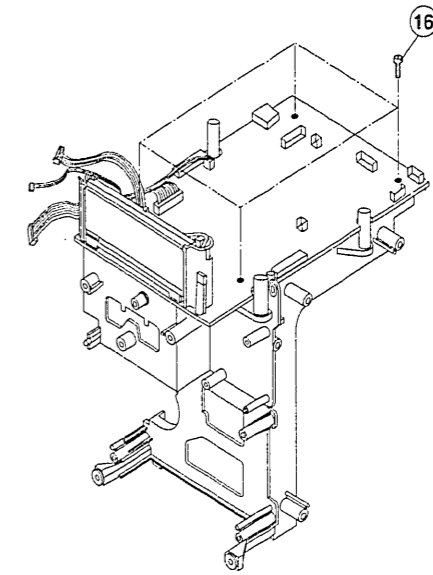


Fig. 13

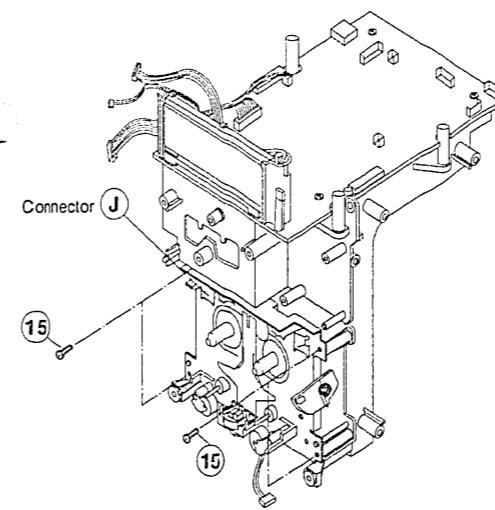


Fig. 12

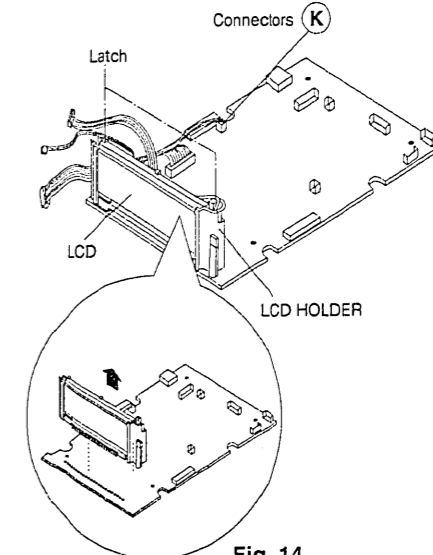


Fig. 14

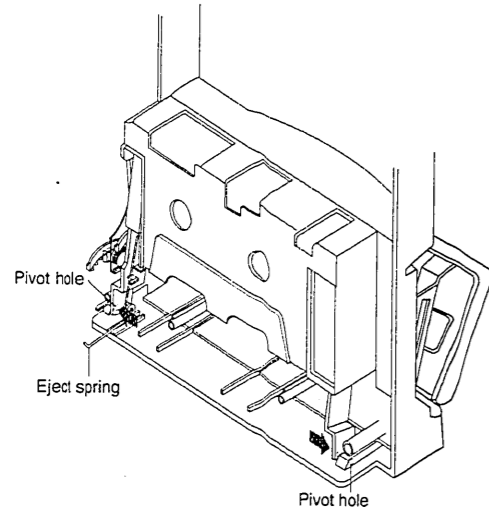


Fig. 15

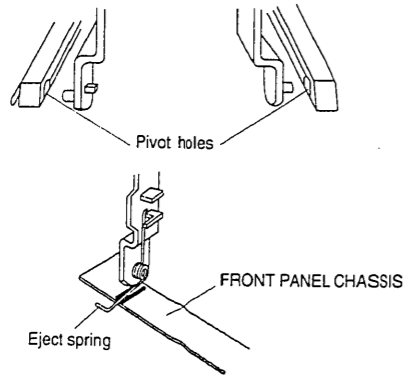


Fig. 16

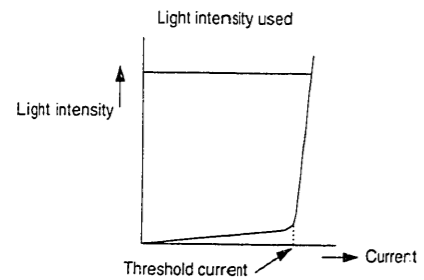


Fig. 17

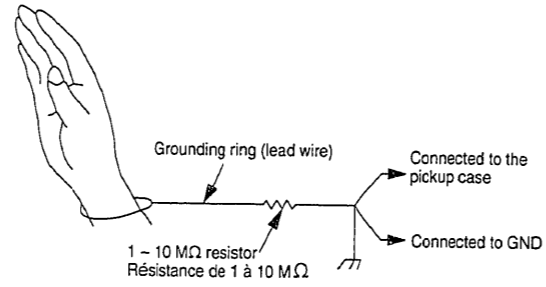


Fig. 18

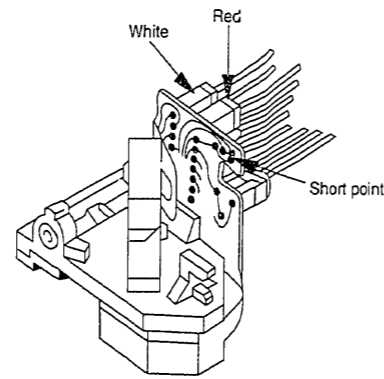


Fig. 19

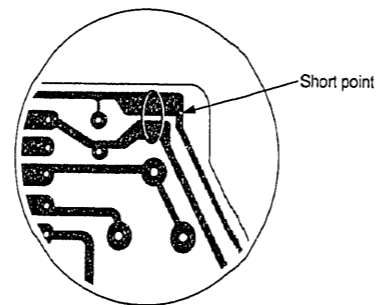
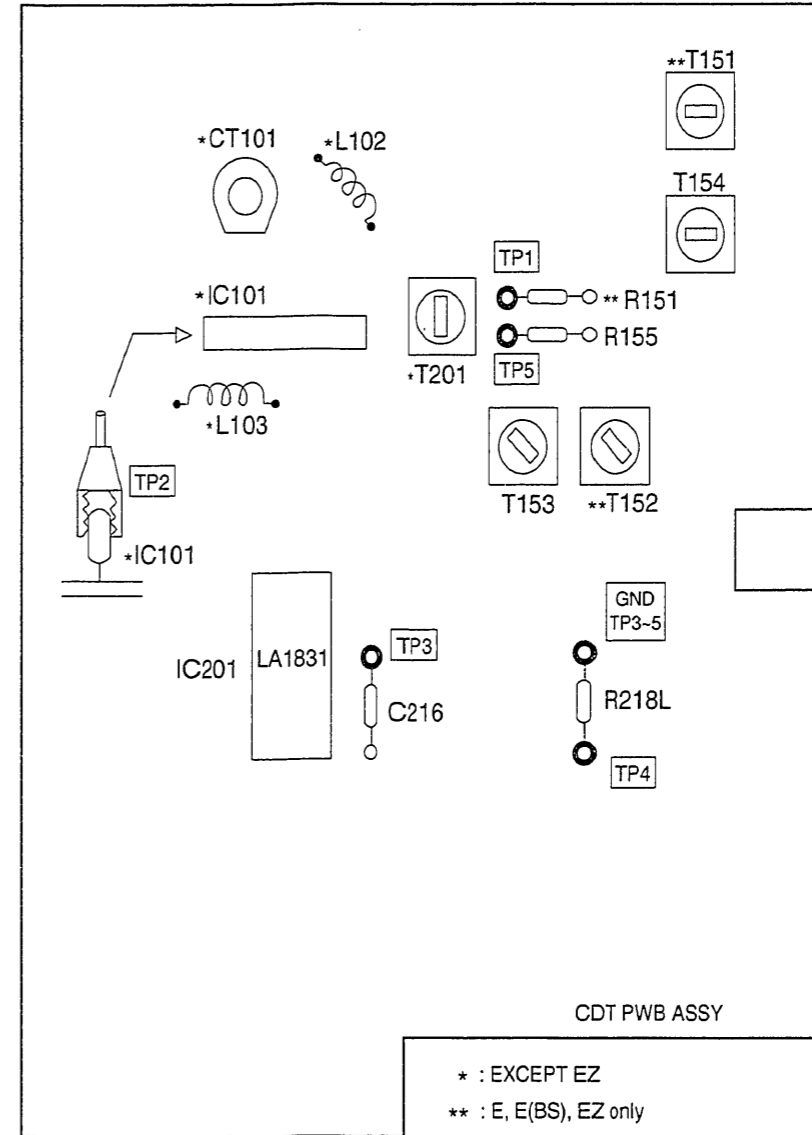


Fig. 20

ADJUSTMENTS

- Adjustment points (Radio section)



1. RADIO SECTION

1 - (1) FM SECTION (EXCEPT EZ) [No adjustment is required for E(Z)]									
Step	Adjustment Item	Measuring instrument & Connection		Output Terminal	Genescope or Signal Generator Frequency (MHz)	Set Freq. (MHz)	Adjust	Reading	
		Measuring Instrument	Input Terminal						
1	(1) FM IF	• Genescope (10.7MHz)	TP2	TP3	10.7	Highest	T201	Note 1	
2	(1) FM OSC. (Covering)	• DC Voltmeter	-----	TP5	-----	• 87.5	L103	1.4±	
						• 87.9		0.2V	
						High end freq.	---	6 ~ 7.5V	
1	(1) FM ANT. (Tracking)	• FM Signal Generator (1KHz 30% dev)	FM Antenna Terminal (Note 2)	TP4	* 90	• 90	L102	MAX	
						** 89.9	** 89.9		CT101
						* 106	• 106		
(2)	• Oscilloscope		** 105.9	** 105.9					
(3)	• VTVM		Repeat steps (1) and (2)						

* For E, EBS, W, W(UN), W(AU) only ** For UC only

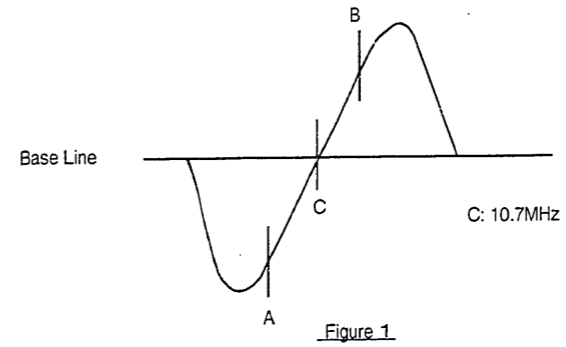
1 - (2) AM Section.

Step	Adjustment Item	Measuring instrument & Connection		Output Terminal	Genescope or Signal Generator Frequency (KHz)	Set Freq. (KHz)	Adjust	Reading
		Measuring Instrument	Input Terminal					
1	(1) MW OSC. (Covering)	DC Voltmeter	-----	TP5	-----	# 522	T153	1.0±
						## 530		0.05V
						High end Freq.	---	6 ~ 7.5V
2	(1) MW ANT. (Tracking)	• AM Signal Gen (400Hz 30% mod)	AM Loop Antenna (Note 2)	TP4	# 603	# 603	T154	Max
						## 600	## 600	
3	(1) LW OSC. (Covering)	DC Voltmeter	-----	TP1	-----	153	T152	1.2±
						High end Freq.	---	4 ~ 5.5V
4	(1) LW ANT. (Tracking)	• AM Signal Gen (400Hz 30% mod)	AM Loop Antenna (Note 2)	TP4	164	164	T151	Max

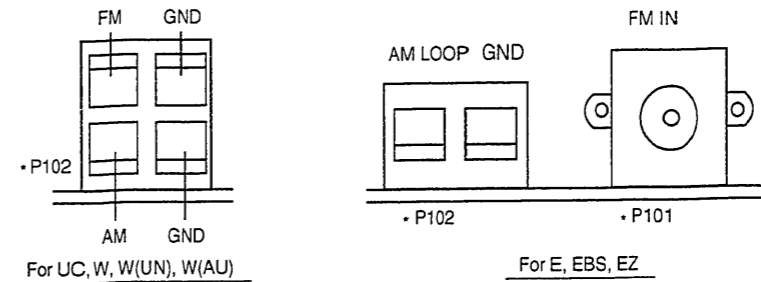
For E, EBS, EZ, W, W(UN), W(AU) ## For UC only

Note:

- Use the T201 core to form the S-curve shown in Figure 1. Adjust the symmetry of A and B about point C for linearity.

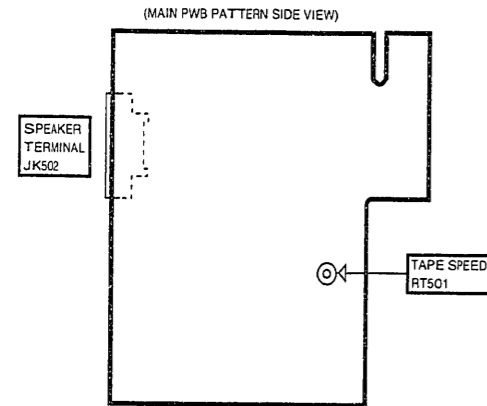


2. FM / AM (MW, LW) Antenna Terminal



2. TAPE DECK SECTION

- Adjustment points



2-(1) Tape speed adjustment
Normal speed

Input	Adjustment value	Adjustment position
Tape speed adjustment tape	3000 ± 10 Hz	RT501

Note: Perform the normal speed adjustment in this order.
(Perform the adjustment in the FWD mode as reference and check that REV is within ±1.5% with respect to FWD. 2,955 - 3,045 Hz)

Adjustment Procedure

Connect the frequency counter to the speaker terminal
Press the Play key and apply heating for 20 minutes or more and apply cooling down for less than 30 seconds.
Play the adjustment tape with TAPE 1 and adjust the tape speed at the centre of the tape.

2-(2) REC / PLAY head angle adjustment

Input	Adjustment value	Adjustment position
Angle correction tape (10 kHz)	Maximum output	Head angle adjustment screw (a) and (b)

Adjustment procedure

Connect the electronic volt meter to the speaker terminal JK502 and play and play the angle correction tape in FWD and REV modes and adjust.

In FWD mode, adjust screw (a), and adjust screw (b) in REV mode.

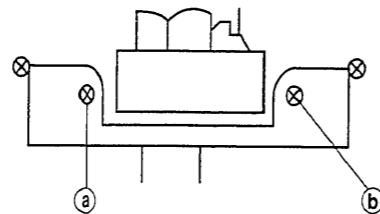
If the maximum values of both channels are different, match with the value of L channel.

At this time, check that the difference of the maximum values between both channels is within 2 dB.

If it is not, re-adjust.

Adjust the phase in both FWD and REV modes so that the phase is within ± 45° both Channels.

Note: Be sure to stop after turning the screw in tightening direction.
(Backlash may occur with the screw.)



Apply screw-lock paint to both (a) and (b) after the adjustment is completed.
(Between screw and head base.)

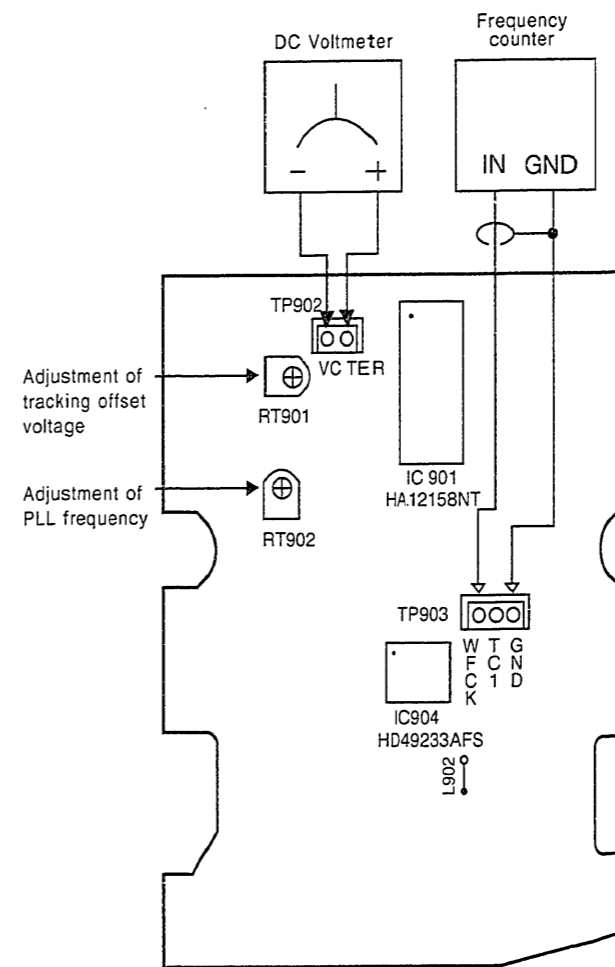
3. CD PLAYER SECTION

- Adjustment points

CAUTION
Do not adjust any pre-set Resistors or Controls, which are not detailed in the adjustment instructions for the CD Player as this may result in the exposure to hazardous radiation.

1. Instruments to be used : DC Volt meter (Analog)
Frequency counter

2. Connections



CD PWB ASSY

3. Preparation

- (1) Turn on the power and set the function to "CD".
- (2) Open the CD tray.

4. Adjustment method

- (1) Adjustment of Tracking offset voltage

Adjust RT901 so that the voltage of TP902(TER) should be within the limit of the following:

Model	Tracking offset Voltage
AX-6	+10 mV \pm 5 mV

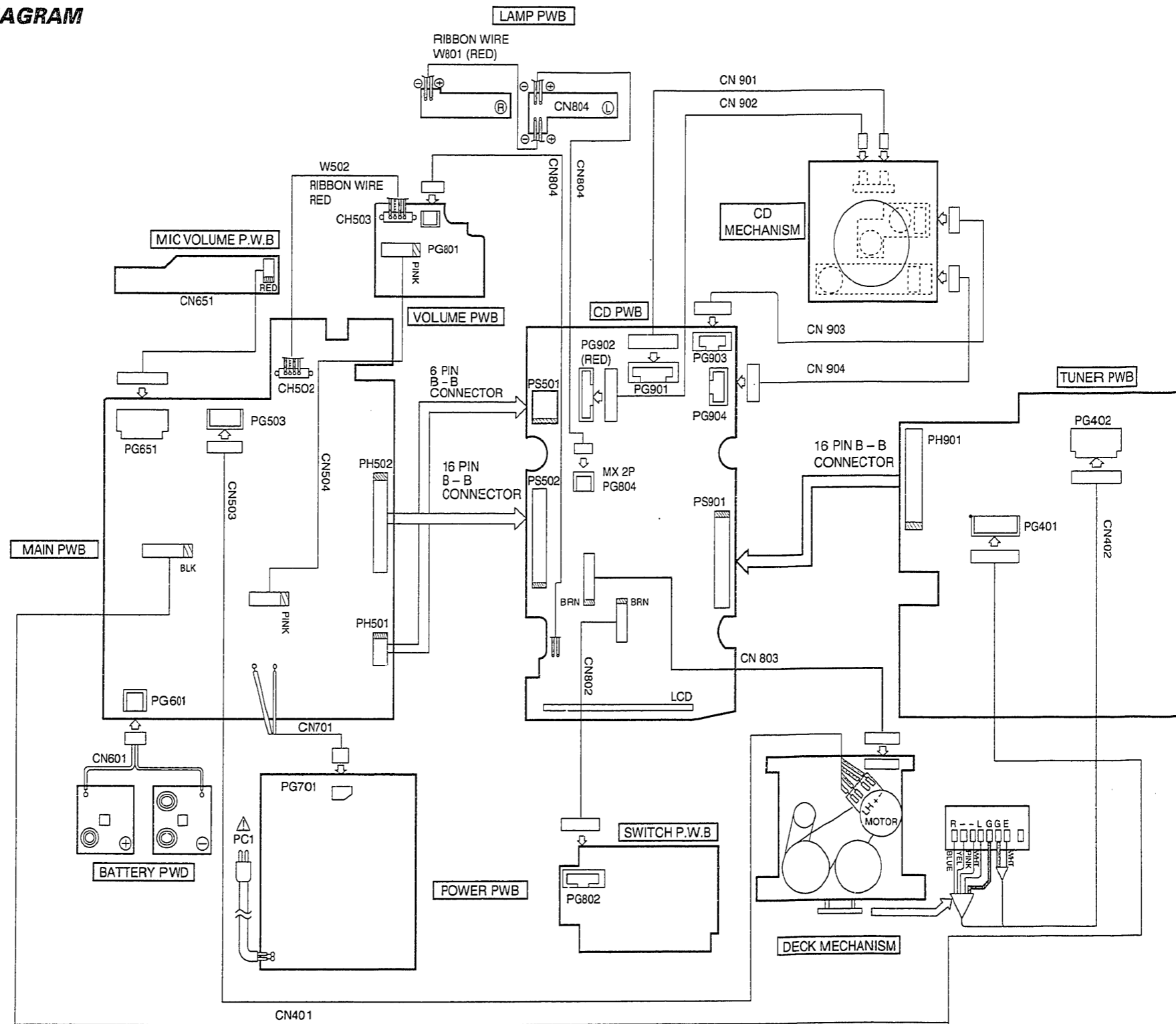
- (2) Adjustment of PLL frequency

Adjust RT902 so that the frequency of TP903(WFCK) should be within the limit of the following :

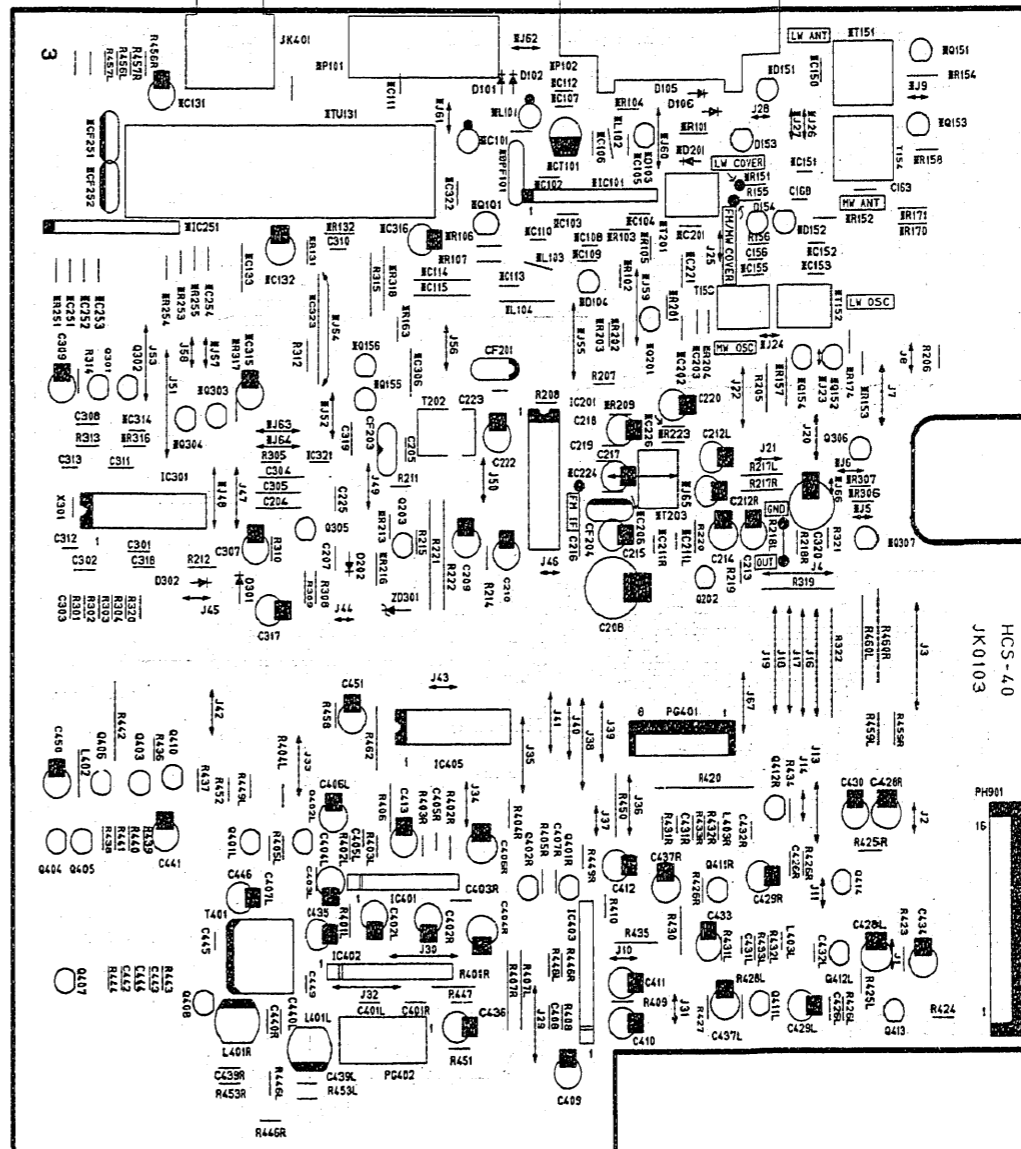
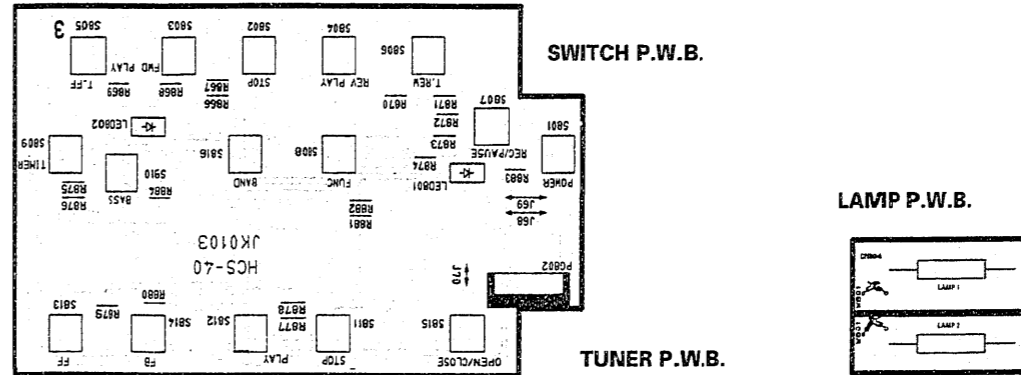
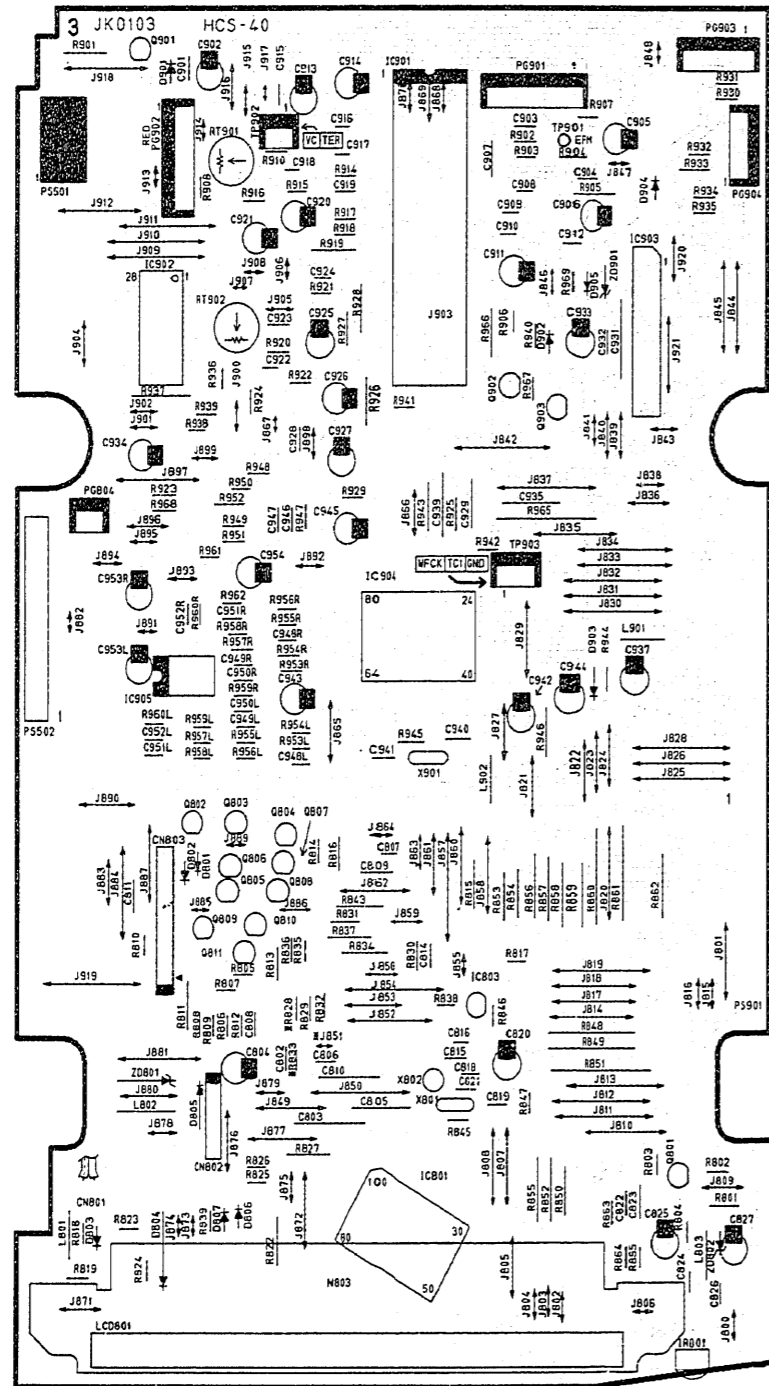
Model	PLL Frequency
AX-6	7300 Hz \pm 30 Hz

*Note: (1). Must use shield wire for TP903 when measuring.

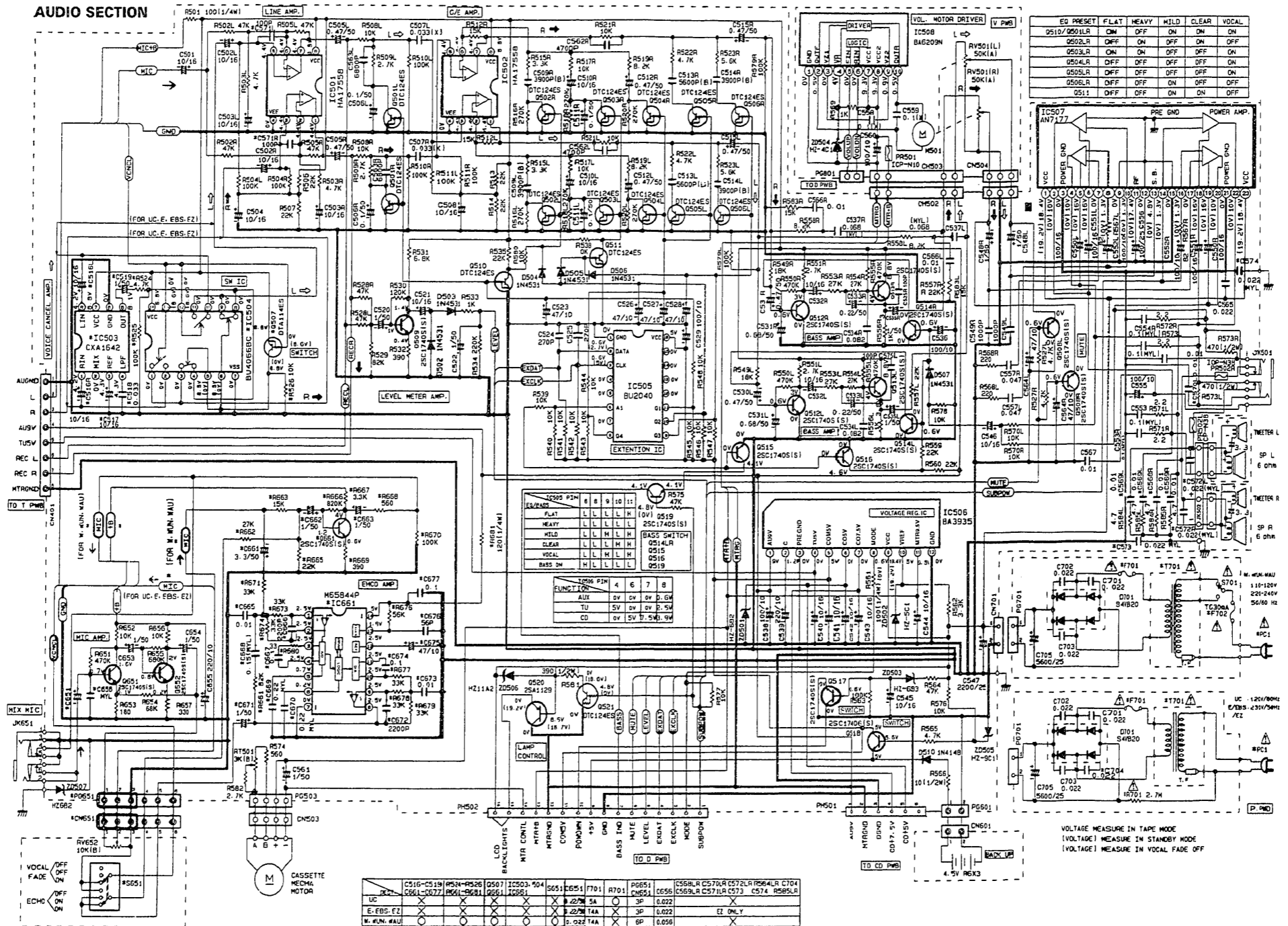
WIRING DIAGRAM



CD P.W.B.



CIRCUIT DIAGRAM



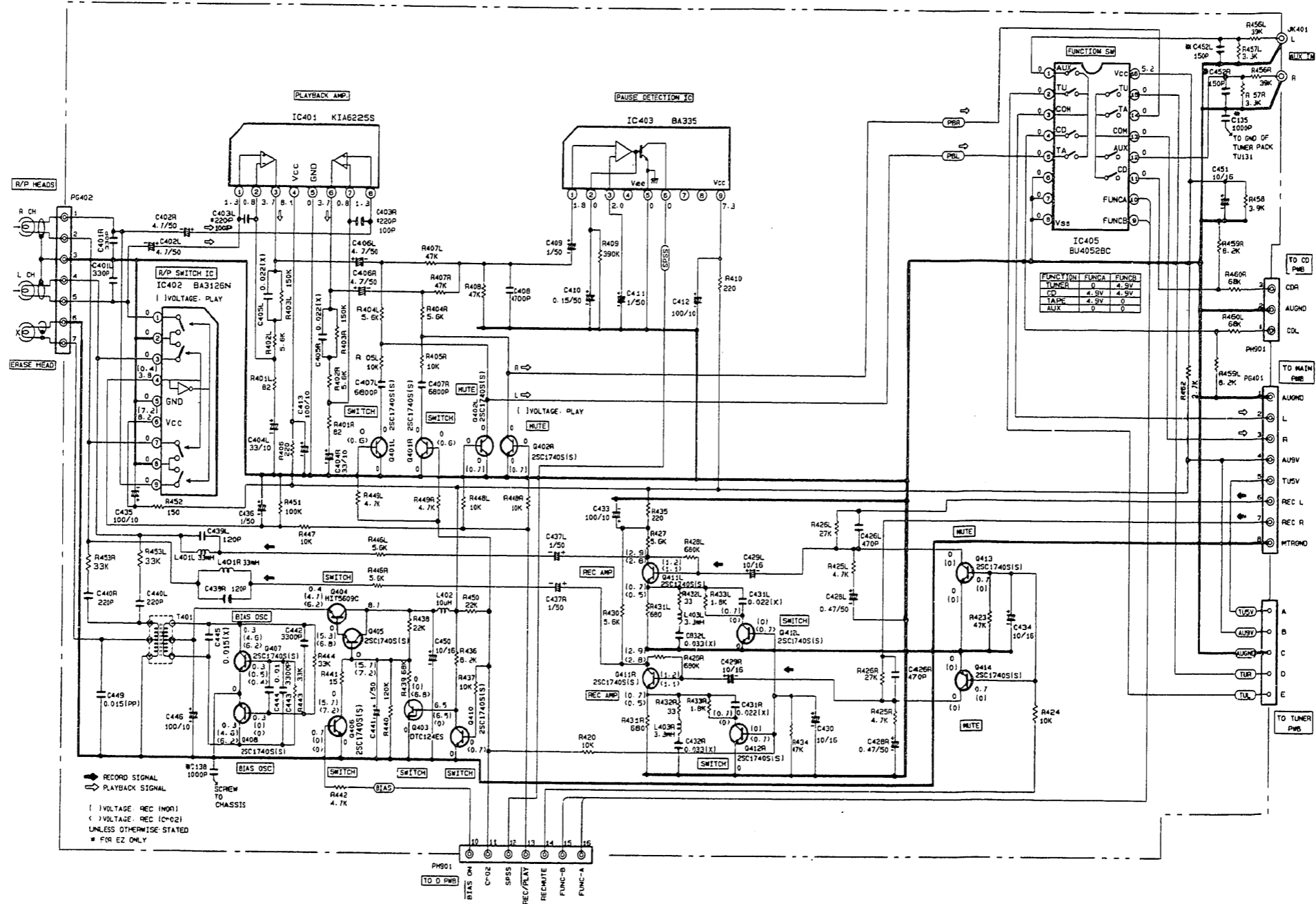
	EQ PRESET	FLAT	HEAVY	MILD	CLEAR	VOCAL
D510/D501LR	ON	OFF	ON	OFF	ON	ON
D502LR	OFF	ON	OFF	OFF	OFF	OFF
D503LR	ON	ON	ON	OFF	OFF	ON
D504LR	OFF	OFF	OFF	OFF	OFF	ON
D505LR	OFF	OFF	OFF	OFF	OFF	OFF
D506LR	OFF	OFF	ON	ON	OFF	OFF
D511	OFF	OFF	ON	ON	ON	OFF

FUNCTION	1	2	3	4	5	6	7	8
FLAT	L	L	L	L	L	L	L	L
HEAVY	L	L	L	L	L	L	L	L
MILD	L	L	L	L	L	L	L	L
CLEAR	L	L	L	L	L	L	L	L
VOCAL	L	L	L	L	L	L	L	L
BASS 2W	H	L	L	L	L	L	L	L

IC	C516-C519	R524-R526	D507	IC503-504	D551-D554	T701	R703	P651	C656	C558LR	C570LR	C572LR	R564LR	C704
UC	✓	✓	✓	✓	✓	✓	✓	✓	✓	✓	✓	✓	✓	✓
E.EBS-EZ	✓	✓	✓	✓	✓	✓	✓	✓	✓	✓	✓	✓	✓	✓
M.A.U.	✓	✓	✓	✓	✓	✓	✓	✓	✓	✓	✓	✓	✓	✓

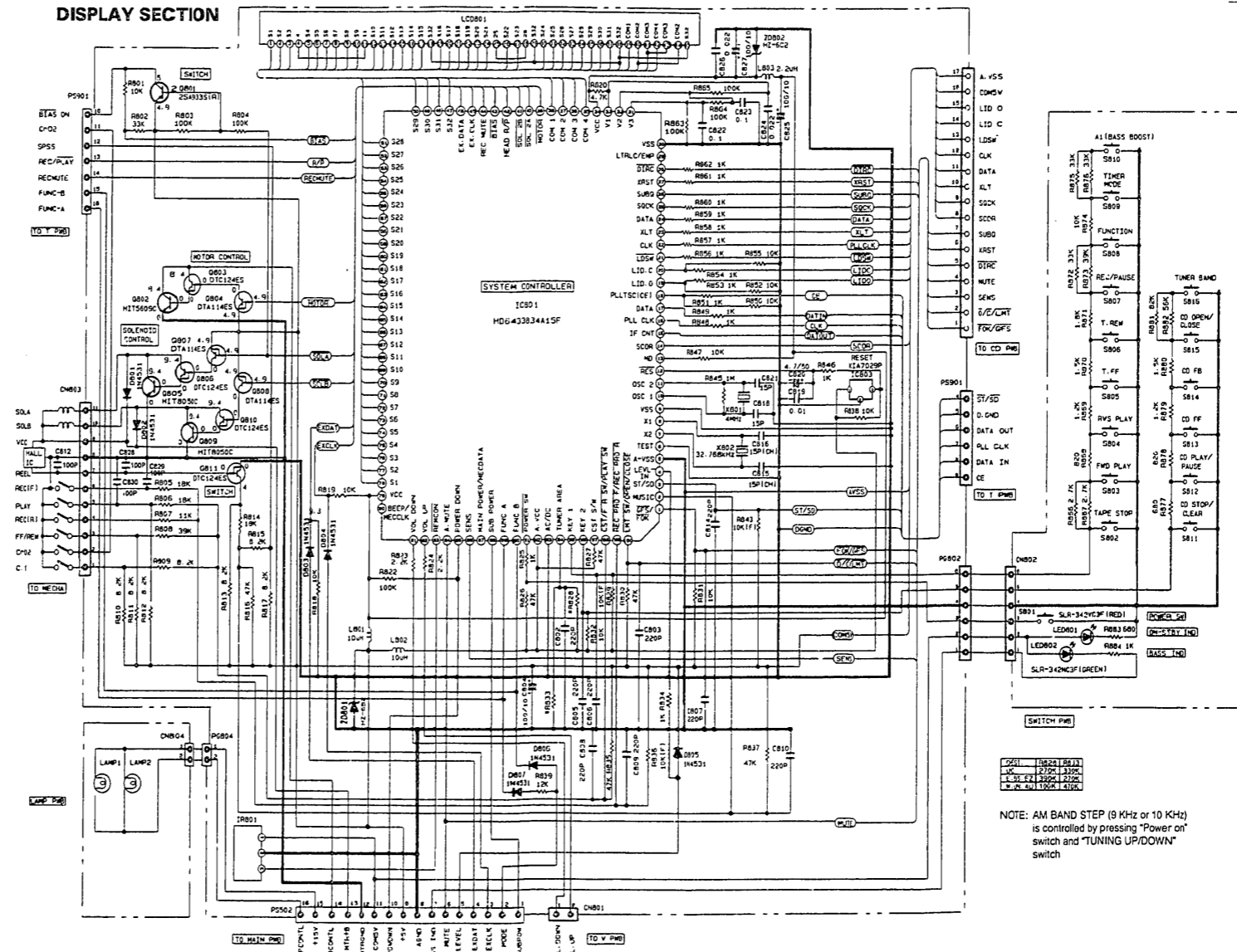
VOLTAGE MEASURE IN TAPE MODE
 [VOLTAGE] MEASURE IN STANDBY MODE
 [VOLTAGE] MEASURE IN VOCAL FADE OFF

TAPE SECTION

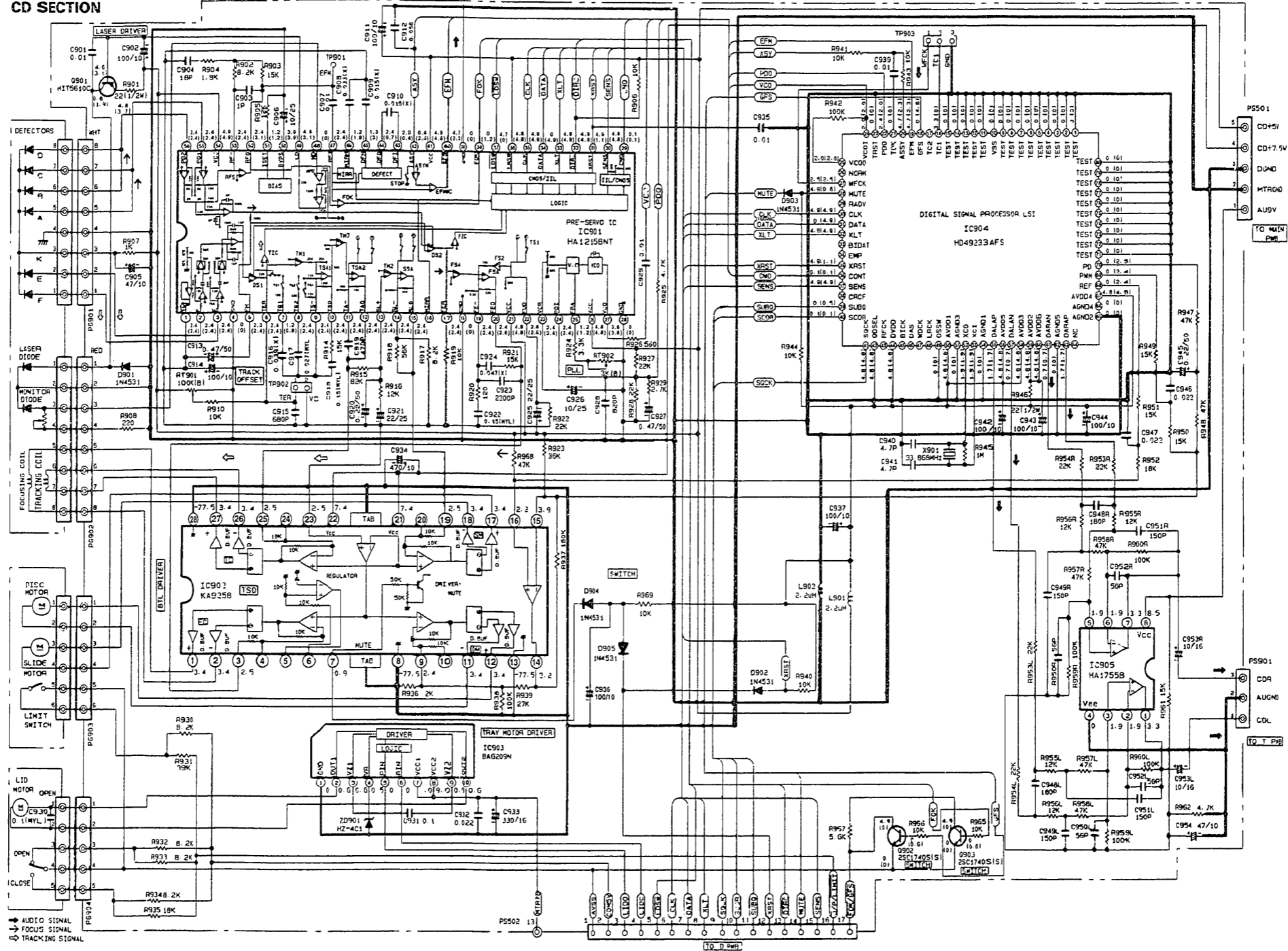


PIN No.	FM(V)	OTHER FUNCTION			AC MODE STANDBY	DC MODE STANDBY
		CD STOP	CD PLAY			
1	4.9			4.9	0	
2	1.0	TAPE STOP		1.0	0	
3	4.9	TAPE PLAY		4.9	0	
4	4.9	3.2-4.9		4.9	0	
5	0			0	0	
6	1.7			1.7	1.5	
7	1.3			1.3	1.3	
8	0			0	0	
9	2.3			2.3	4.5	
10	2.4			2.4	4.9	
11	4.9			4.9	5.0	
12	4.9			4.9	5.0	
13	0			0	0	
14	0			0	0	
15	0			0	0	
16	0			0	0	
17	0			0	0	
18	0			0	0	
19	0			0	0	
20	0			0	0	
21	4.9			4.9	0	
22	0			0	0	
23	0			0	0	
24	0			0	0	
25	0			0	0	
26	0			0	0	
27	0			0	0	
28	4.6			4.6	0	
29	0			0	0	
30	0			0	0	
31	1.7			1.7	1.7	
32	3.2			3.2	3.2	
33	4.9			4.9	5.0	
34	4.9			4.9	5.0	
35	2.5			2.5	2.5	
36	2.5			2.5	2.5	
37	2.5			2.5	2.5	
38	2.5			2.5	2.5	
39	4.9	TAPE PLAY	TAPE PLAY	4.9	0	
40	4.9	0	0	4.9	0	
41	4.9	0	0	4.9	0	
42	4.9	0	0	4.9	1.5	
43	4.9	0	0	4.9	1.9	
44	4.9	0	0	4.9	0	
45	0			0	4.9	
46	5.0			5.0	2.5	
47	2.4			2.4	2.5	
48	2.4			2.4	2.5	
49						
77	2.4			2.4	2.5	
78	4.9			4.9	5.0	
79	0			0	0	
80	0			0	0	
81	0			0	0	
82	0			0	0	
83	4.8			4.8	0	
84	4.8 (0)			4.8 (0)	0	
85	0			0	0	
86	1.4			1.4	0	
87	4.9			4.9	0	
88	4.9			4.9	0	
89	4.9	CD	TAPE	4.9	0	
90	4.9	4.9	0	4.9	5.0	
91	4.9	DC MODE		4.9	5.0	
92	5.0			5.0	5.0	
93	0 (5.0)			0	5.0	
94	'E'2.0	UC2.0	W1.20	0	5.0	
95	4.9			4.9	5.0	
96	4.9			4.9	5.0	
97	4.9	TAPE STOP	TAPE PLAY	4.9	5.0	
98	4.9	2.0	1.0	4.9	0	
99	4.9	2.0	2.0	4.9	0	
100	3.2 (2.0)	CD Tray Open		3.2	0	

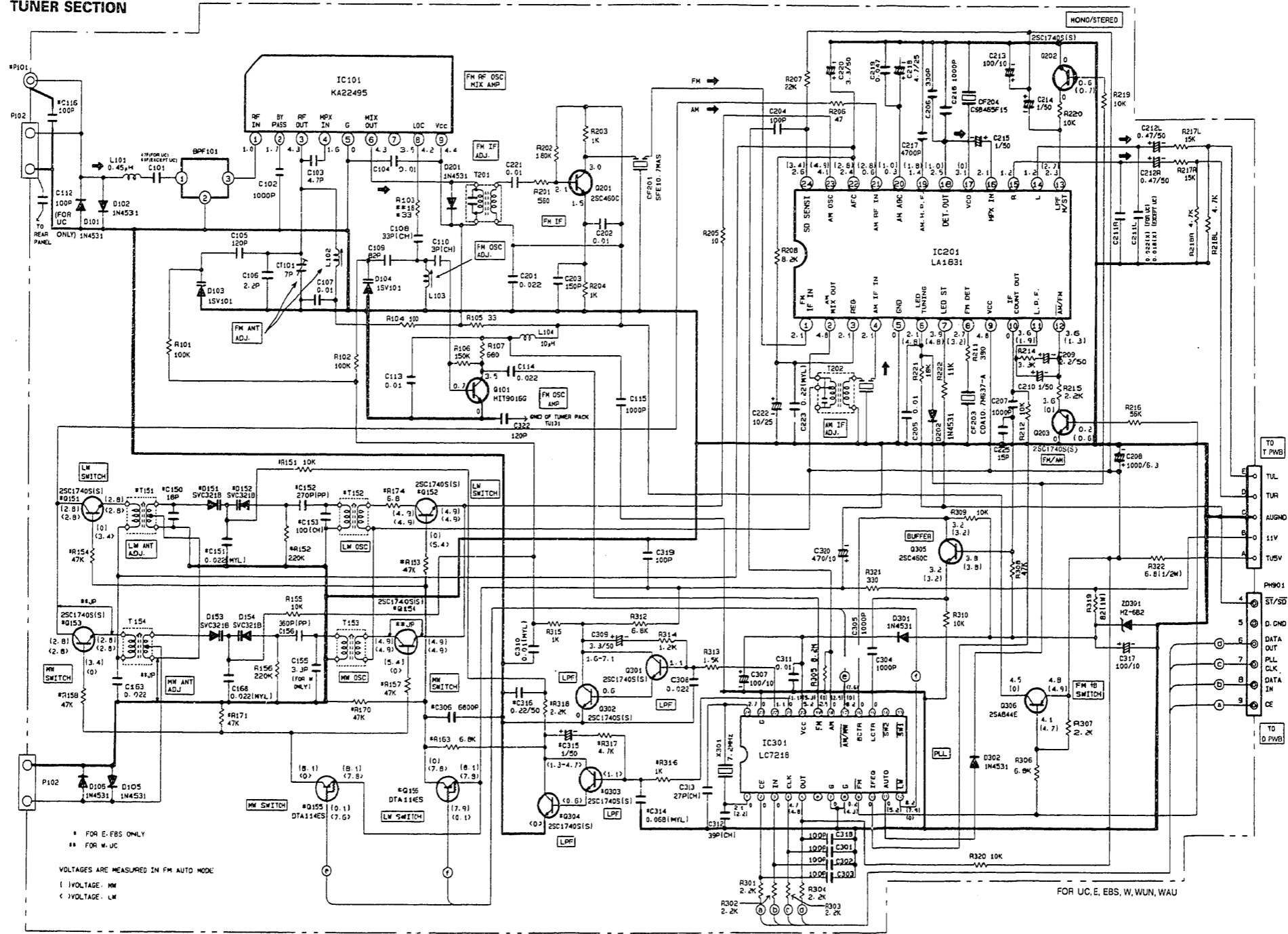
DISPLAY SECTION



CD SECTION



TUNER SECTION

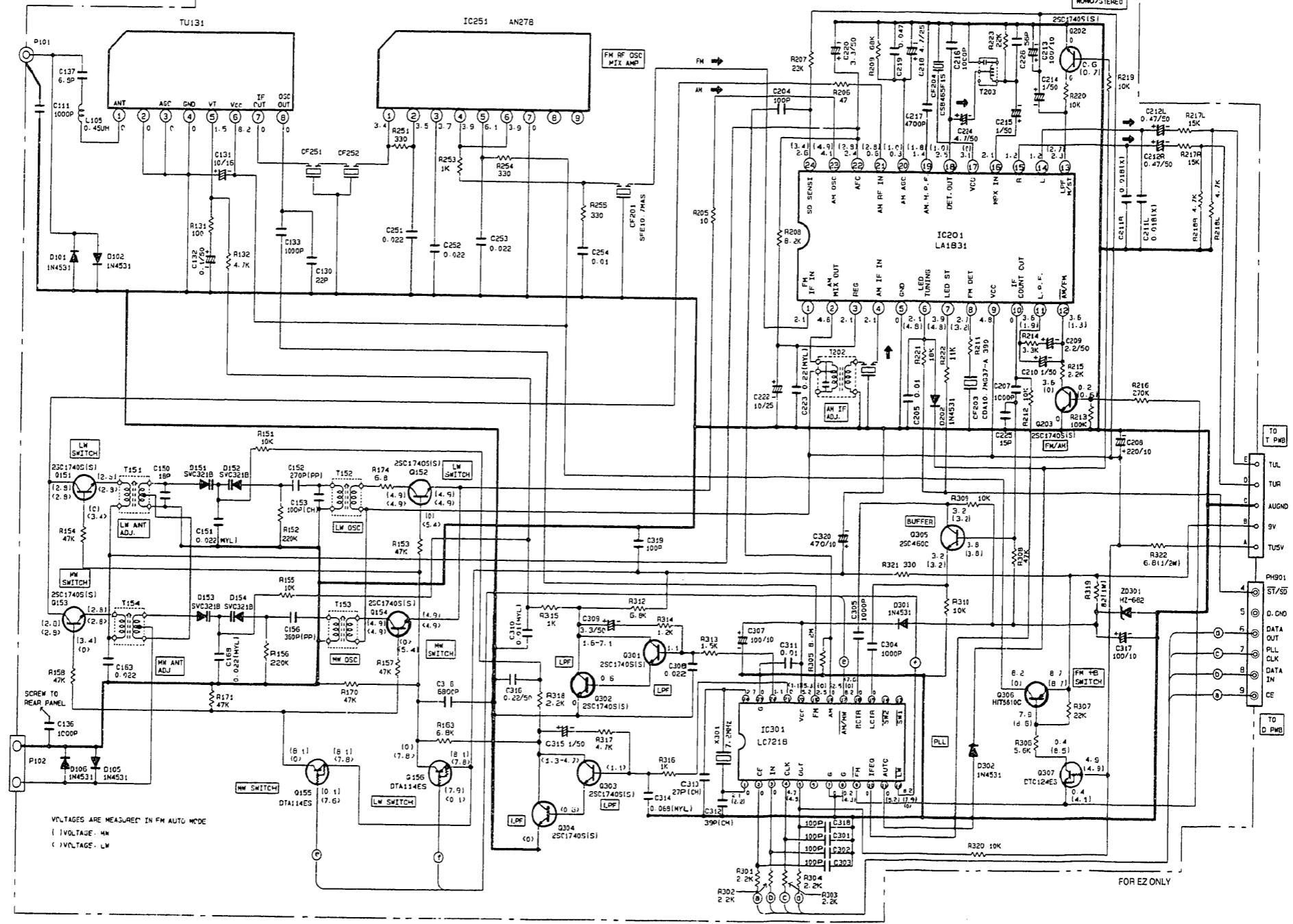


* FOR E.FBS ONLY
 ** FOR W.UC

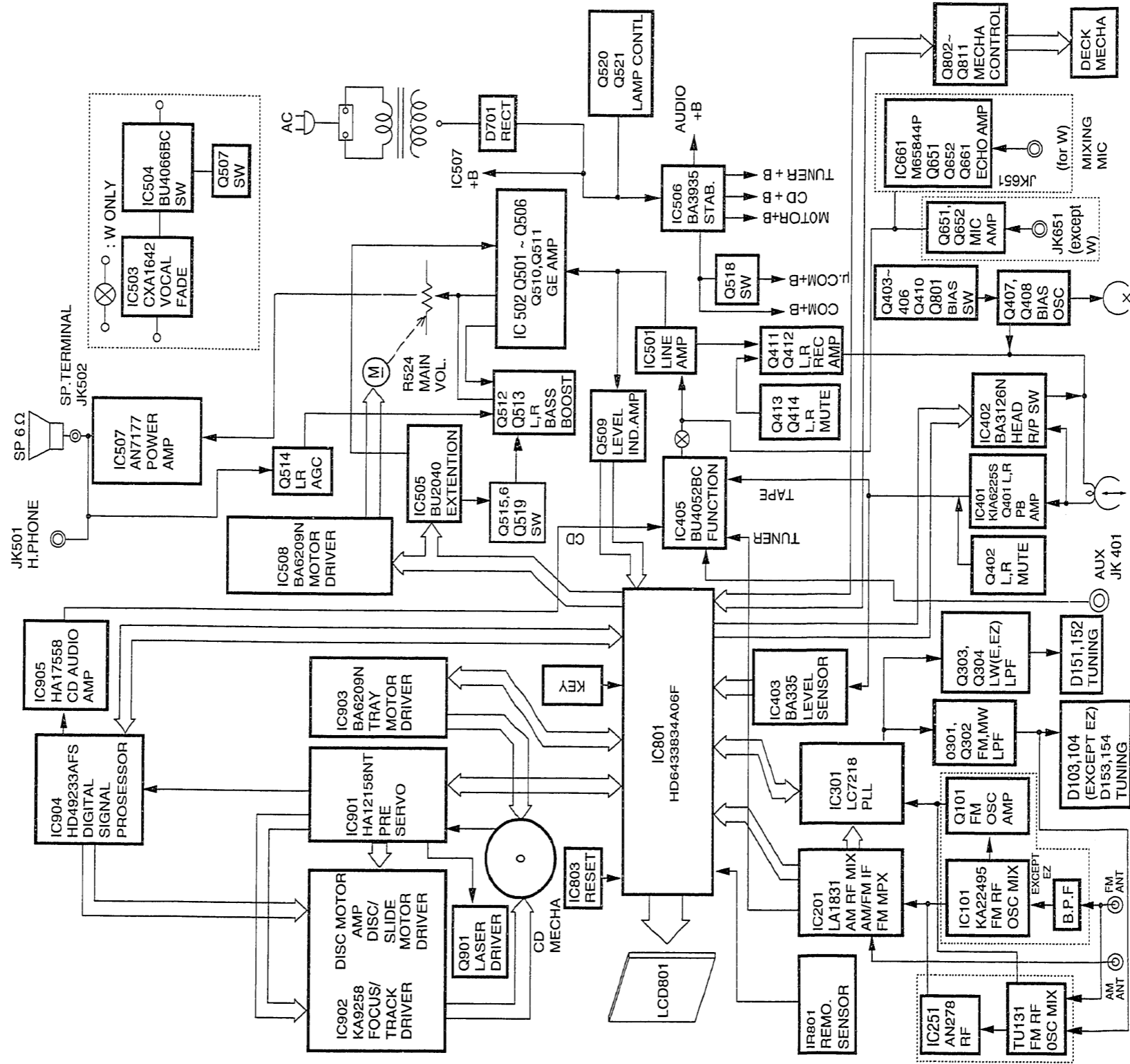
VOLTAGES ARE MEASURED IN FM AUTO MODE:
 () VOLTAGE: MW
 () VOLTAGE: LW

FOR UC, E, EBS, W, WUN, WAU

TUNER SECTION



BLOCK DIAGRAM



REPLACEMENT PARTS LIST

PRODUCT SAFETY NOTE: Components marked with a Δ have special characteristics important to safety. Before replacing any of these components, read carefully, the Service Manual.

ABBREVIATIONS	Capacitors	CC: Cylindrical ceramic, CD: Ceramic disk, PF: Polyester film, EL: Electrolytic, PP: Polypropylene.
	Resistors	CF: Carbon film, CC: Carbon composition, MF: Metal oxide film, RV: Variable resistor, FR: Fuse Resistor
	Semiconductor	TR: Transistor, DI: Diode, ZD: Zener diode, VA: Varistor, TH: Thermistor, IC: IC.

SYMBOL NO.	PART NO.	DESCRIPTION	SYMBOL NO.	PART NO.	DESCRIPTION
CAPACITORS:					
C101	0890005	CC 4.7PF $\pm 10\%$ 50V [FOR UC, E, E(BS)]	C137	0890006	CC 6.8PF $\pm 10\%$ 50V [FOR E(Z) ONLY]
C101	0890006	CC 6.8PF $\pm 10\%$ 50V [FOR W, W(UN), W(AU)]	C138	0890035	CC 1000PF $\pm 10\%$ 50V [FOR E(Z) ONLY]
C102	0890035	CC 1000PF $\pm 10\%$ 50V [EXCEPT E(Z)]	C150	0890012	CC 18PF $\pm 5\%$ 50V [FOR E, E(BS), E(Z)]
C103	0890005	CC 4.7PF $\pm 10\%$ 50V [EXCEPT E(Z)]	C151	0880012	PF 0.022 μ F $\pm 10\%$ 50V [FOR E, E(BS), E(Z)]
C104	0890043	CC 0.01 μ F $\pm 20\%$ 16V [EXCEPT E(Z)]	C152	0279344	PP 270PF $\pm 5\%$ 100V [FOR E, E(BS), E(Z)]
C105	0890023	CC 120PF $\pm 10\%$ 50V [EXCEPT E(Z)]	C153	0246464	CD 100PF $\pm 5\%$ 50V [FOR E, E(BS), E(Z)]
C106	0890003	CC 2.2PF $\pm 10\%$ 50V [EXCEPT E(Z)]	C155	0890004	CC 3.3PF $\pm 10\%$ 50V [FOR W, W(UN), W(AU)]
C107	0890043	CC 0.01 μ F $\pm 20\%$ 16V [EXCEPT E(Z)]	C156	0262722	PP 360PF $\pm 5\%$ 100V
C108	0890121	CD 33PF $\pm 5\%$ 50V [EXCEPT E(Z)]	C163	0890044	CC 0.022 μ F $\pm 20\%$ 25V
C109	0890021	CC 82PF $\pm 10\%$ 50V [EXCEPT E(Z)]	C168	0880012	PF 0.022 μ F $\pm 10\%$ 50V
C110	0890106	CD 3PF ± 0.25 PF 50V [EXCEPT E(Z)]	C201	0890044	CC 0.022 μ F $\pm 20\%$ 25V [EXCEPT E(Z)]
C111	0890035	CC 1000PF $\pm 10\%$ 50V [FOR E(Z) ONLY]	C202	0890043	CC 0.01 μ F $\pm 20\%$ 16V [EXCEPT E(Z)]
C112	0890022	CC 100PF $\pm 10\%$ 50V [FOR UC ONLY]	C203	0890024	CC 150PF $\pm 10\%$ 50V [EXCEPT E(Z)]
C113	0890043	CC 0.01 μ F $\pm 20\%$ 16V [EXCEPT E(Z)]	C204	0890022	CC 100PF $\pm 10\%$ 50V
C114	0890044	CC 0.022 μ F $\pm 20\%$ 25V [EXCEPT E(Z)]	C205	0890043	CC 0.01 μ F $\pm 20\%$ 16V
C115	0890035	CC 1000PF $\pm 10\%$ 50V [EXCEPT E(Z)]	C206	0890028	CC 330PF $\pm 10\%$ 50V [EXCEPT E(Z)]
C116	0890022	CC 100PF $\pm 10\%$ 50V [FOR E, E(BS)]	C207	0890035	CC 1000PF $\pm 10\%$ 50V
C130	0890013	CC 22PF $\pm 5\%$ 50V [FOR E(Z) ONLY]	C208	0800057	EL 220 μ F $\pm 20\%$ 10V [FOR E(Z) ONLY]
C131	0800015	EL 10 μ F $\pm 20\%$ 16V [FOR E(Z) ONLY]	C208	0800079	EL 1000 μ F $\pm 20\%$ 6.3V [EXCEPT E(Z)]
C132	0253940	EL 0.1 μ F $\pm 20\%$ 50V [FOR E(Z) ONLY]	C209	0800005	EL 2.2 μ F $\pm 20\%$ 50V
C133	0890035	CC 1000PF $\pm 10\%$ 50V [FOR E(Z) ONLY]	C210	0800003	EL 1 μ F $\pm 20\%$ 50V
C135	0890035	CC 1000PF $\pm 10\%$ 50V [FOR E(Z) ONLY]	C211L,R	0240215	CD 0.018 μ F $\pm 10\%$ 25V [EXCEPT UC]
C136	0890035	CC 1000PF $\pm 10\%$ 50V [FOR E(Z) ONLY]	C211L,R	0240216	CD 0.022 μ F $\pm 10\%$ 25V [FOR UC ONLY]
			C212L,R	0800001	EL 0.47 μ F $\pm 20\%$ 50V
			C213	0800048	EL 100 μ F $\pm 20\%$ 10V
			C214	0800003	EL 1 μ F $\pm 20\%$ 50V
			C215	0800003	EL 1 μ F $\pm 20\%$ 50V
			C216	0890035	CC 1000PF $\pm 10\%$ 50V
			C217	0890039	CC 4700PF $\pm 20\%$ 16V
			C218	0800009	EL 4.7 μ F $\pm 20\%$ 25V
			C219	0240067	CC 0.047 μ F $\pm 20\%$ 50V
			C220	0800007	EL 3.3 μ F $\pm 20\%$ 50V

PRODUCT SAFETY NOTE: Components marked with a Δ have special characteristics important to safety. Before replacing any of these components, read carefully, the Service Manual.

SYMBOL NO.	PART NO.	DESCRIPTION	SYMBOL NO.	PART NO.	DESCRIPTION
C221	0890043	CC 0.01 μ F $\pm 20\%$ 16V [EXCEPT E(Z)]	C407L,R	0890041	CC 6800PF $\pm 20\%$ 16V
C222	0800016	EL 10 μ F $\pm 20\%$ 25V	C408	0890039	CC 4700PF $\pm 20\%$ 16V
C223	0880018	PF 0.22 μ F $\pm 10\%$ 50V	C409	0800003	EL 1 μ F $\pm 20\%$ 50V
C224	0800012	EL 4.7 μ F $\pm 20\%$ 50V [FOR E(Z) ONLY]	C410	AL00141	EL 0.15 μ F $\pm 20\%$ 50V
C225	0890011	CC 15PF $\pm 5\%$ 50V	C411	0800109	EL 1 μ F $\pm 20\%$ 50V
C226	0890018	CC 56PF $\pm 5\%$ 50V [FOR E(Z) ONLY]	C412	0800144	EL 100 μ F $\pm 20\%$ 10V
C251	0890044	CC 0.022 μ F $\pm 20\%$ 25V [FOR E(Z) ONLY]	C413	0800144	EL 100 μ F $\pm 20\%$ 10V
C252	0890044	CC 0.022 μ F $\pm 20\%$ 25V [FOR E(Z) ONLY]	C426L,R	0890031	CC 470PF $\pm 10\%$ 50V
C253	0890044	CC 0.022 μ F $\pm 20\%$ 25V [FOR E(Z) ONLY]	C428L,R	0800107	EL 0.47 μ F $\pm 20\%$ 50V
C254	0890043	CC 0.01 μ F $\pm 20\%$ 16V [FOR E(Z) ONLY]	C429L,R	0800122	EL 10 μ F $\pm 20\%$ 16V
C301	0890022	CC 100PF $\pm 10\%$ 50V	C430	0800122	EL 10 μ F $\pm 20\%$ 16V
C302	0890022	CC 100PF $\pm 10\%$ 50V	C431L,R	0240216	CD 0.022 μ F $\pm 10\%$ 25V
C303	0890022	CC 100PF $\pm 10\%$ 50V	C432L,R	0240218	CD 0.033 μ F $\pm 10\%$ 25V
C304	0890035	CC 1000PF $\pm 10\%$ 50V	C433	0800144	EL 100 μ F $\pm 20\%$ 10V
C305	0890035	CC 1000PF $\pm 10\%$ 50V	C434	0800122	EL 10 μ F $\pm 20\%$ 16V
C306	0890041	CC 6800PF $\pm 20\%$ 16V [FOR E, E(BS), E(Z)]	C435	0800144	EL 100 μ F $\pm 20\%$ 10V
C307	0800048	EL 100 μ F $\pm 20\%$ 10V	C436	0800003	EL 1 μ F $\pm 20\%$ 50V
C308	0890044	CC 0.022 μ F $\pm 20\%$ 25V	C437L,R	0800109	EL 1 μ F $\pm 20\%$ 50V
C309	0800007	EL 3.3 μ F $\pm 20\%$ 50V	C439L,R	0890023	CC 120PF $\pm 10\%$ 50V
C310	0880009	PF 0.01 μ F $\pm 10\%$ 50V	C440L,R	0890026	CC 220PF $\pm 10\%$ 50V
C311	0890043	CC 0.01 μ F $\pm 10\%$ 16V	C441	0800109	EL 1 μ F $\pm 20\%$ 50V
C312	0890122	CD 39PF $\pm 5\%$ 50V	C442	0890038	CC 3300PF $\pm 20\%$ 16V
C313	0890119	CD 27PF $\pm 5\%$ 50V	C443	0890038	CC 3300PF $\pm 20\%$ 16V
C314	0880015	PF 0.068 μ F $\pm 10\%$ 50V [FOR E, E(BS), E(Z)]	C444	0890043	CC 0.01 μ F $\pm 20\%$ 16V
C315	0800003	EL 1 μ F $\pm 20\%$ 50V [FOR E, E(BS), E(Z)]	C445	0240214	CD 0.015 μ F $\pm 10\%$ 25V
C316	0253942	EL 0.22 μ F $\pm 20\%$ 50V [FOR E, E(BS), E(Z)]	C446	0800144	EL 100 μ F $\pm 20\%$ 10V
C317	0800048	EL 100 μ F $\pm 20\%$ 10V	C449	0279349	PP 0.015PF $\pm 5\%$ 100V
C318	0890022	CC 100PF $\pm 10\%$ 50V	C450	0800015	EL 10 μ F $\pm 20\%$ 16V
C319	0890022	CC 100PF $\pm 10\%$ 50V	C451	0800015	EL 10 μ F $\pm 20\%$ 16V
C320	0800073	EL 470 μ F $\pm 20\%$ 10V	C452L,R	0890024	CC 150PF $\pm 10\%$ 50V [FOR E(Z) ONLY]
C322	0890023	CC 120PF $\pm 10\%$ 50V [EXCEPT E(Z)]	C501	0800015	EL 10 μ F $\pm 20\%$ 16V
C401L,R	0890028	CC 330PF $\pm 10\%$ 50V	C502L,R	0800015	EL 10 μ F $\pm 20\%$ 16V
C402L,R	0800119	EL 4.7 μ F $\pm 20\%$ 50V	C503L,R	0800015	EL 10 μ F $\pm 20\%$ 16V
C403L,R	0890022	CC 100PF $\pm 10\%$ 50V [EXCEPT E(Z)]	C504	0800015	EL 10 μ F $\pm 20\%$ 16V
C403L,R	0890026	CC 220PF $\pm 10\%$ 50V [FOR E(Z) ONLY]	C505L,R	0800001	EL 0.47 μ F $\pm 20\%$ 50V
C404L,R	0800134	EL 33 μ F $\pm 20\%$ 10V	C506L,R	0253940	EL 0.1 μ F $\pm 20\%$ 50V
C405L,R	0240216	CD 0.022 μ F $\pm 10\%$ 25V	C507L,R	0240218	CD 0.033 μ F $\pm 10\%$ 25V
C406L	0800012	EL 4.7 μ F $\pm 20\%$ 50V	C508	0800015	EL 10 μ F $\pm 20\%$ 16V
C406R	0800119	EL 4.7 μ F $\pm 20\%$ 50V	C509L,R	0240056	CC 3900PF $\pm 20\%$ 16V
			C510L,R	0800015	EL 10 μ F $\pm 20\%$ 16V
			C511L,R	0253940	EL 0.1 μ F $\pm 20\%$ 50V
			C512L,R	0800001	EL 0.47 μ F $\pm 20\%$ 50V
			C513L,R	0240058	CC 5600PF $\pm 20\%$ 16V
			C514L,R	0240056	CC 3900PF $\pm 20\%$ 16V
			C515L,R	0800001	EL 0.47 μ F $\pm 20\%$ 50V
			C515L,R	0800015	EL 10 μ F $\pm 20\%$ 16V [FOR W, W(UN), W(AU)]
			C517	0800015	EL 10 μ F $\pm 20\%$ 16V [FOR W, W(UN), W(AU)]
			C518	0240218	CD 0.033 μ F $\pm 10\%$ 25V [FOR W, W(UN), W(AU)]

PRODUCT SAFETY NOTE: Components marked with a Δ have special characteristics important to safety. Before replacing any of these components, read carefully, the PRODUCT SAFETY NOTICE of this Service Manual. Don't degrade the safety of the receiver through improper servicing.

SYMBOL NO.	PART NO.	DESCRIPTION	SYMBOL NO.	PART NO.	DESCRIPTION
C519	0800003	EL 1 μ F \pm 20% 50V [FOR W, W(UN), W(AU)]	C569L,R	0890043	CC 0.01 μ F \pm 20% 16V [FOR E(Z) ONLY]
C520	0800003	EL 1 μ F \pm 20% 50V	C570L,R	0890043	CC 0.01 μ F \pm 20% 16V [FOR E(Z) ONLY]
C521	0800015	EL 10 μ F \pm 20% 16V	C571L,R	0890022	CC 100PF \pm 10% 50V [FOR E(Z) ONLY]
C522	0800003	EL 1 μ F \pm 20% 50V	C572L,R	0880012	PF 0.022 μ F \pm 10% 50V [FOR E(Z) ONLY]
C523	0800039	EL 47 μ F \pm 20% 10V	C573	0880012	PF 0.022 μ F \pm 10% 50V [FOR E(Z) ONLY]
C524	0890027	CC 270PF \pm 10% 50V	C574	0880012	PF 0.022 μ F \pm 10% 50V [FOR E(Z) ONLY]
C525	0890027	CC 270PF \pm 10% 50V	C575L,R	0890022	CC 100PF \pm 10% 50V
C526	0800039	EL 47 μ F \pm 20% 10V	C651	0240216	CD 0.022 μ F \pm 10% 25V [FOR W, W(UN), W(AU)]
C527	0800039	EL 47 μ F \pm 20% 10V	C651	0800103	EL 0.22 μ F \pm 20% 50V [EXCEPT W, W(UN), W(AU)]
C528	0800139	EL 47 μ F \pm 20% 10V	C653	0800003	EL 1 μ F \pm 20% 50V
C529	0800048	EL 100 μ F \pm 20% 10V	C654	0800003	EL 1 μ F \pm 20% 50V
C530L,R	0800001	EL 0.47 μ F \pm 20% 50V	C655	0800057	EL 220 μ F \pm 20% 10V
C531L,R	1AJ4001	EL 0.68 μ F \pm 20% 50V	C656	0880054	PF 0.056 μ F \pm 10% 50V [FOR W, W(UN), W(AU)]
C532L,R	0800015	EL 10 μ F \pm 20% 16V	C656	0890102	CD 0.022 μ F \pm 20% 50V [EXCEPT W, W(UN), W(AU)]
C533L,R	0253942	EL 0.22 μ F \pm 20% 50V	C661	0800007	EL 3.3 μ F \pm 20% 50V [FOR W, W(UN), W(AU)]
C534L,R	0880056	PF 0.082 μ F \pm 10% 50V	C662	0800003	EL 1 μ F \pm 20% 50V [FOR W, W(UN), W(AU)]
C535L,R	0800003	EL 1 μ F \pm 20% 50V	C663	0800109	EL 1 μ F \pm 20% 50V [FOR W, W(UN), W(AU)]
C536	0800048	EL 100 μ F \pm 20% 10V	C665	0890043	CC 0.01 μ F \pm 20% 16V [FOR W, W(UN), W(AU)]
C537L,R	0880055	PF 0.068 μ F \pm 10% 50V	C666	0890037	CC 2200PF \pm 20% 16V [FOR W, W(UN), W(AU)]
C538	0800048	EL 100 μ F \pm 20% 10V	C667	0240068	CC 0.1 μ F \pm 20% 50V [FOR W, W(UN), W(AU)]
C539	0800057	EL 220 μ F \pm 20% 10V	C668	0880017	PF 0.15 μ F \pm 10% 50V [FOR W, W(UN), W(AU)]
C540	0800015	EL 10 μ F \pm 20% 16V	C669	0880018	PF 0.22 μ F \pm 10% 50V [FOR W, W(UN), W(AU)]
C541	0800015	EL 10 μ F \pm 20% 16V	C670	0880018	PF 0.22 μ F \pm 10% 50V [FOR W, W(UN), W(AU)]
C542	0800015	EL 10 μ F \pm 20% 16V	C671	0800003	EL 1 μ F \pm 20% 50V [FOR W, W(UN), W(AU)]
C543	0800015	EL 10 μ F \pm 20% 16V	C672	0890037	CC 2200PF \pm 20% 16V [FOR W, W(UN), W(AU)]
C544	0800015	EL 10 μ F \pm 20% 16V	C673	0890043	CC 0.01 μ F \pm 20% 16V [FOR W, W(UN), W(AU)]
C545	0800015	EL 10 μ F \pm 20% 16V	C674	0240068	CC 0.1 μ F \pm 20% 50V [FOR W, W(UN), W(AU)]
C546	0800015	EL 10 μ F \pm 20% 16V	C675	0800039	EL 47 μ F \pm 20% 10V [FOR W, W(UN), W(AU)]
C547	0252969	EL 2200 μ F \pm 20% 25V			
C548L,R	0800003	EL 1 μ F \pm 20% 50V			
C549L,R	0890038	CC 3300PF \pm 10% 16V			
C550L,R	0800049	EL 100 μ F \pm 20% 16V			
C551L,R	0800049	EL 100 μ F \pm 20% 16V			
C552L,R	0800048	EL 100 μ F \pm 20% 10V			
C553L,R	0880057	PF 0.1 μ F \pm 10% 50V			
C554L,R	0880057	PF 0.1 μ F \pm 10% 50V			
C555	0800048	EL 100 μ F \pm 20% 10V			
C556	0800051	EL 100 μ F \pm 20% 25V			
C557L,R	0240067	CC 0.047 μ F \pm 20% 50V			
C558	0240068	CC 0.1 μ F \pm 20% 50V			
C559	0240068	CC 0.1 μ F \pm 20% 50V			
C560	0800048	EL 100 μ F \pm 20% 10V			
C561	0800003	EL 1 μ F \pm 20% 50V			
C562L,R	0890039	CC 4700PF \pm 20% 16V			
C563L,R	0890041	CC 6800PF \pm 20% 16V			
C564L,R	0800039	EL 47 μ F \pm 20% 10V			
C565	0890044	CC 0.022 μ F \pm 20% 25V			
C566L,R	0890043	CC 0.01 μ F \pm 20% 16V			
C567	0890043	CC 0.01 μ F \pm 20% 16V			
C568L,R	0890043	CC 0.01 μ F \pm 20% 16V [FOR E(Z) ONLY]			

PRODUCT SAFETY NOTE: Components marked with a Δ have special characteristics important to safety. Before replacing any of these components, read carefully, the PRODUCT SAFETY NOTICE of this Service Manual. Don't degrade the safety of the receiver through improper servicing.

SYMBOL NO.	PART NO.	DESCRIPTION	SYMBOL NO.	PART NO.	DESCRIPTION
C676	0890018	CC 56PF \pm 5% 50V [FOR W, W(UN), W(AU)]	C918	0880017	PF 0.15 μ F \pm 10% 50V
C677	0880057	PF 0.1 μ F \pm 10% 50V [FOR W, W(UN), W(AU)]	C919	0890031	CC 470PF \pm 10% 50V
C701	0890102	CD 0.022 μ F \pm 20% 50V	C920	0253942	EL 0.22 μ F \pm 20% 50V
C702	0890102	CD 0.022 μ F \pm 20% 50V	C921	0800024	EL 22 μ F \pm 20% 25V
C703	0890102	CD 0.022 μ F \pm 20% 50V	C922	0880017	PF 0.15 μ F \pm 10% 50V
C704	0890102	CD 0.022 μ F \pm 20% 50V [FOR E(Z) ONLY]	C923	0890037	CC 2200PF \pm 20% 16V
C705	0285352	EL 5600 μ F \pm 20% 25V	C924	0240220	CD 0.047 μ F \pm 10% 25V
C802	0890026	CC 220PF \pm 10% 50V	C925	0800024	EL 22 μ F \pm 20% 25V
C803	0890026	CC 220PF \pm 10% 50V	C926	0800016	EL 10 μ F \pm 20% 25V
C804	0800048	EL 100 μ F \pm 20% 10V	C927	0800001	EL 0.47 μ F \pm 20% 50V
C805	0890026	CC 220PF \pm 10% 50V	C928	0890034	CC 820PF \pm 10% 50V
C806	0890026	CC 220PF \pm 10% 50V	C929	0890043	CC 0.01 μ F \pm 20% 16V
C807	0890026	CC 220PF \pm 10% 50V	C930	0880018	PF 0.22 μ F \pm 10% 50V
C808	0890026	CC 220PF \pm 10% 50V	C931	0240068	CC 0.1 μ F \pm 20% 50V
C809	0890026	CC 220PF \pm 10% 50V	C932	0890044	CC 0.022 μ F \pm 20% 25V
C810	0890026	CC 220PF \pm 10% 50V	C933	0800066	EL 330 μ F \pm 20% 16V
C812	0890074	CC 100PF \pm 10% 50V	C934	0800073	EL 470 μ F \pm 20% 10V
C814	0890026	CC 220PF \pm 10% 50V	C935	0890043	CC 0.01 μ F \pm 20% 16V
C815	0230656	CC 15PF \pm 5% 50V	C936	0800048	EL 100 μ F \pm 20% 10V
C816	0890116	CD 15PF \pm 5% 50V	C937	0800144	EL 100 μ F \pm 20% 10V
C818	0890011	CC 15PF \pm 5% 50V	C939	0890043	CC 0.01 μ F \pm 20% 16V
C819	0890043	CC 0.01 μ F \pm 20% 16V	C940	0890005	CC 4.7PF \pm 10% 50V
C820	0800012	EL 4.7 μ F \pm 20% 50V	C941	0890005	CC 4.7PF \pm 10% 50V
C821	0890011	CC 15PF \pm 5% 50V	C942	0800144	EL 100 μ F \pm 20% 10V
C822	0240068	CC 0.1 μ F \pm 20% 50V	C943	0800144	EL 100 μ F \pm 20% 10V
C823	0240068	CC 0.1 μ F \pm 20% 50V	C944	0800144	EL 100 μ F \pm 20% 10V
C824	0890044	CC 0.022 μ F \pm 20% 25V	C945	0253942	EL 0.22 μ F \pm 20% 50V
C825	0800048	EL 100 μ F \pm 20% 10V	C946	0890044	CC 0.022 μ F \pm 20% 25V
C826	0890044	CC 0.022 μ F \pm 20% 25V	C947	0890044	CC 0.022 μ F \pm 20% 25V
C827	0800048	EL 100 μ F \pm 20% 10V	C948L,R	0890025	CC 180PF \pm 10% 50V
C828	0890022	CC 100PF \pm 10% 50V	C949L,R	0890024	CC 150PF \pm 10% 50V
C829	0890022	CC 100PF \pm 10% 50V	C950L,R	0890018	CC 56PF \pm 5% 50V
C830	0890022	CC 100PF \pm 10% 50V	C951L,R	0890024	CC 150PF \pm 10% 50V
C901	0890043	CC 0.01 μ F \pm 20% 16V	C952L,R	0890018	CC 56PF \pm 5% 50V
C902	0800048	EL 100 μ F \pm 20% 10V	C953L,R	0800015	EL 10 μ F \pm 20% 16V
C903	0890001	CC 1PF \pm 20% 50V	C954	0800039	EL 47 μ F \pm 20% 10V
C904	0890012	CC 18PF \pm 5% 50V			
C905	0800039	EL 47 μ F \pm 20% 10V	RESISTORS:		
C906	0800016	EL 10 μ F \pm 20% 25V	R101	0700067	CF 100K Ω \pm 5% $\frac{1}{4}$ W [EXCEPT E(Z)]
C907	0890043	CC 0.01 μ F \pm 20% 16V	R102	0700067	CF 100K Ω \pm 5% $\frac{1}{4}$ W [EXCEPT E(Z)]
C908	0240218	CD 0.033 μ F \pm 10% 25V	R103	0700017	CF 18 Ω \pm 5% $\frac{1}{4}$ W [FOR UC, W, W(UN), W(AU)]
C909	0240214	CD 0.015 μ F \pm 10% 25V	R103	0700021	CF 33 Ω \pm 5% $\frac{1}{4}$ W [FOR E, E(BS)]
C910	0240214	CD 0.015 μ F \pm 10% 25V	R104	0700027	CF 100 Ω \pm 5% $\frac{1}{4}$ W [EXCEPT E(Z)]
C911	0800048	EL 100 μ F \pm 20% 10V	R105	0700021	CF 33 Ω \pm 5% $\frac{1}{4}$ W [EXCEPT E(Z)]
C912	0880054	PF 0.056 μ F \pm 10% 50V	R106	0700069	CF 150K Ω \pm 5% $\frac{1}{4}$ W [EXCEPT E(Z)]
C913	0800001	EL 0.47 μ F \pm 20% 50V			
C914	0800048	EL 100 μ F \pm 20% 10V			
C915	0890033	CC 680PF \pm 10% 50V			
C916	0240219	CD 0.039 μ F \pm 10% 25V			
C917	0240217	CD 0.027 μ F \pm 10% 25V			

PRODUCT SAFETY NOTE: Components marked with a Δ have special characteristics important to safety. Before replacing any of these components, read carefully, the PRODUCT SAFETY NOTICE of this Service Manual. Don't degrade the safety of the receiver through improper servicing.

SYMBOL NO.	PART NO.	DESCRIPTION	SYMBOL NO.	PART NO.	DESCRIPTION
R107	0700038	CF 680Ω ±5% 1/16W [EXCEPT E(Z)]	R218L,R	0700049	CF 4.7KΩ ±5% 1/16W
R131	0700027	CF 100Ω ±5% 1/16W [FOR E(Z) ONLY]	R219	0700054	CF 10KΩ ±5% 1/16W
R132	0700049	CF 4.7KΩ ±5% 1/16W [FOR E(Z) ONLY]	R220	0700054	CF 10KΩ ±5% 1/16W
R151	0700054	CF 10KΩ ±5% 1/16W [FOR E, E(BS), E(Z)]	R221	0700057	CF 18KΩ ±5% 1/16W
R152	0700072	CF 220KΩ ±5% 1/16W [FOR E, E(BS), E(Z)]	R222	0113640	CF 11KΩ ±5% 1/16W
R153	0700063	CF 47KΩ ±5% 1/16W [FOR E, E(BS), E(Z)]	R223	0700058	CF 22KΩ ±5% 1/16W [FOR E(Z) ONLY]
R154	0700063	CF 47KΩ ±5% 1/16W [FOR E, E(BS), E(Z)]	R251	0700034	CF 330Ω ±5% 1/16W [FOR E(Z) ONLY]
R155	0700054	CF 10KΩ ±5% 1/16W	R253	0700041	CF 1KΩ ±5% 1/16W [FOR E(Z) ONLY]
R156	0700072	CF 220KΩ ±5% 1/16W	R254	0700034	CF 330Ω ±5% 1/16W [FOR E(Z) ONLY]
R157	0700063	CF 47KΩ ±5% 1/16W [FOR E, E(BS), E(Z)]	R255	0700034	CF 330Ω ±5% 1/16W [FOR E(Z) ONLY]
R158	0700063	CF 47KΩ ±5% 1/16W [FOR E, E(BS), E(Z)]	R301	0700045	CF 2.2KΩ ±5% 1/16W
R163	0700052	CF 6.8KΩ ±5% 1/16W [FOR E, E(BS), E(Z)]	R302	0700045	CF 2.2KΩ ±5% 1/16W
R170	0700063	CF 47KΩ ±5% 1/16W [FOR E, E(BS), E(Z)]	R303	0700045	CF 2.2KΩ ±5% 1/16W
R171	0700063	CF 47KΩ ±5% 1/16W [FOR E, E(BS), E(Z)]	R304	0700045	CF 2.2KΩ ±5% 1/16W
R174	0700012	CF 6.8Ω ±5% 1/16W [FOR E, E(BS), E(Z)]	R305	0129723	CF 8.2MΩ ±5% 1/2W
R201	0700037	CF 560Ω ±5% 1/16W [EXCEPT E(Z)]	R306	0700051	CF 5.6KΩ ±5% 1/16W [FOR E(Z) ONLY]
R202	0700071	CF 180KΩ ±5% 1/16W [EXCEPT E(Z)]	R306	0700052	CF 6.8KΩ ±5% 1/16W [EXCEPT E(Z)]
R203	0700041	CF 1KΩ ±5% 1/16W [EXCEPT E(Z)]	R307	0700058	CF 22KΩ ±5% 1/16W [FOR E(Z) ONLY]
R204	0700041	CF 1KΩ ±5% 1/16W [EXCEPT E(Z)]	R307	0700045	CF 2.2KΩ ±5% 1/16W [EXCEPT E(Z)]
R205	0700014	CF 10Ω ±5% 1/16W	R308	0700063	CF 47KΩ ±5% 1/16W
R206	0700023	CF 47Ω ±5% 1/16W	R309	0700054	CF 10KΩ ±5% 1/16W
R207	0700058	CF 22KΩ ±5% 1/16W	R310	0700054	CF 10KΩ ±5% 1/16W
R208	0700053	CF 8.2KΩ ±5% 1/16W	R312	0700052	CF 6.8KΩ ±5% 1/16W
R209	0700065	CF 68KΩ ±5% 1/16W [FOR E(Z) ONLY]	R313	0700043	CF 1.5KΩ ±5% 1/16W
R211	0700035	CF 390Ω ±5% 1/16W	R314	0700042	CF 1.2KΩ ±5% 1/16W
R212	0700054	CF 10KΩ ±5% 1/16W	R315	0700041	CF 1KΩ ±5% 1/16W
R213	0700067	CF 100KΩ ±5% 1/16W [FOR E(Z) ONLY]	R316	0700041	CF 1KΩ ±5% 1/16W [FOR E, E(BS), E(Z)]
R214	0700047	CF 3.3KΩ ±5% 1/16W	R317	0700049	CF 4.7KΩ ±5% 1/16W [FOR E, E(BS), E(Z)]
R215	0700045	CF 2.2KΩ ±5% 1/16W	R318	0700045	CF 2.2KΩ ±5% 1/16W [FOR E, E(BS), E(Z)]
R216	0700064	CF 56KΩ ±5% 1/16W [EXCEPT E(Z)]	R319	011 0119	CF 82Ω ±5% 1W
R216	0700073	CF 270KΩ ±5% 1/16W [FOR E(Z) ONLY]	R320	0700054	CF 10KΩ ±5% 1/16W
R217L,R	0700056	CF 15KΩ ±5% 1/16W	R321	0700034	CF 330Ω ±5% 1/16W
			R322	011 3216	CF 6.8Ω ±5% 1/16W
			R401L,R	0700026	CF 82Ω ±5% 1/16W
			R402L,R	0700051	CF 5.6KΩ ±5% 1/16W
			R403L,R	0700069	CF 150KΩ ±5% 1/16W
			R404L,R	0700051	CF 5.6KΩ ±5% 1/16W
			R405L,R	0700054	CF 10KΩ ±5% 1/16W
			R406	0700032	CF 220Ω ±5% 1/16W
			R407L,R	0700063	CF 47KΩ ±5% 1/16W
			R408	0700063	CF 47KΩ ±5% 1/16W

PRODUCT SAFETY NOTE: Components marked with a Δ have special characteristics important to safety. Before replacing any of these components, read carefully, the PRODUCT SAFETY NOTICE of this Service Manual. Don't degrade the safety of the receiver through improper servicing.

SYMBOL NO.	PART NO.	DESCRIPTION	SYMBOL NO.	PART NO.	DESCRIPTION
R409	0700075	CF 390KΩ ±5% 1/16W	R516L,R	0700073	CF 270KΩ ±5% 1/16W
R410	0700032	CF 220Ω ±5% 1/16W	R517L,R	0700054	CF 10KΩ ±5% 1/16W
R420	0700054	CF 10KΩ ±5% 1/16W	R518L,R	0700073	CF 270KΩ ±5% 1/16W
R423	0700063	CF 47KΩ ±5% 1/16W	R519L,R	0700053	CF 8.2KΩ ±5% 1/16W
R424	0700054	CF 10KΩ ±5% 1/16W	R520L,R	0700073	CF 270KΩ ±5% 1/16W
R425L,R	0700049	CF 4.7KΩ ±5% 1/16W	R521L,R	0700054	CF 10KΩ ±5% 1/16W
R426L,R	0700059	CF 27KΩ ±5% 1/16W	R522L,R	0700049	CF 4.7KΩ ±5% 1/16W
R427	0700051	CF 5.6KΩ ±5% 1/16W	R523L,R	0700051	CF 5.6KΩ ±5% 1/16W
R428L,R	0700078	CF 680KΩ ±5% 1/16W	R524	0700049	CF 4.7KΩ ±5% 1/16W [FOR W, W(UN), W(AU)]
R430	0700051	CF 5.6KΩ ±5% 1/16W	R525	0700067	CF 100KΩ ±5% 1/16W [FOR W, W(UN), W(AU)]
R431L,R	0700038	CF 680Ω ±5% 1/16W	R526	0700054	CF 10KΩ ±5% 1/16W [FOR W, W(UN), W(AU)]
R432L,R	0700021	CF 33Ω ±5% 1/16W	R527L,R	0700049	CF 4.7KΩ ±5% 1/16W
R433L,R	0700044	CF 1.8KΩ ±5% 1/16W	R528L,R	0700063	CF 47KΩ ±5% 1/16W
R434	0700063	CF 47Ω ±5% 1/16W	R529	0700066	CF 82KΩ ±5% 1/16W
R435	0700032	CF 220Ω ±5% 1/16W	R530	0700068	CF 120KΩ ±5% 1/16W
R436	0700053	CF 8.2KΩ ±5% 1/16W	R531	0700052	CF 6.8KΩ ±5% 1/16W
R437	0700054	CF 10KΩ ±5% 1/16W	R532	0700035	CF 390Ω ±5% 1/16W
R438	0700058	CF 22KΩ ±5% 1/16W	R533	0700041	CF 1KΩ ±5% 1/16W
R439	0700065	CF 68KΩ ±5% 1/16W	R534	0700072	CF 220KΩ ±5% 1/16W
R440	0700068	CF 120KΩ ±5% 1/16W	R535	0700058	CF 22KΩ ±5% 1/16W
R441	0700016	CF 15Ω ±5% 1/16W	R538	0700054	CF 10KΩ ±5% 1/16W
R442	0700049	CF 4.7KΩ ±5% 1/16W	R539	0700054	CF 10KΩ ±5% 1/16W
R443	0700061	CF 33Ω ±5% 1/16W	R540	0700054	CF 10KΩ ±5% 1/16W
R444	0700061	CF 33Ω ±5% 1/16W	R541	0700054	CF 10KΩ ±5% 1/16W
R446L,R	0700051	CF 5.6KΩ ±5% 1/16W	R542	0700054	CF 10KΩ ±5% 1/16W
R447	0700054	CF 10KΩ ±5% 1/16W	R543	0700054	CF 10KΩ ±5% 1/16W
R448L,R	0700054	CF 10KΩ ±5% 1/16W	R544	0700054	CF 10KΩ ±5% 1/16W
R449L,R	0700049	CF 4.7KΩ ±5% 1/16W	R545	0700054	CF 10KΩ ±5% 1/16W
R450	0700058	CF 22KΩ ±5% 1/16W	R546	0700054	CF 10KΩ ±5% 1/16W
R451	0700067	CF 100KΩ ±5% 1/16W	R547	0700054	CF 10KΩ ±5% 1/16W
R452	0700029	CF 150Ω ±5% 1/16W	R548	0700054	CF 10KΩ ±5% 1/16W
R453L,R	0700061	CF 33KΩ ±5% 1/16W	R549L,R	0700057	CF 18KΩ ±5% 1/16W
R456L,R	0700062	CF 39KΩ ±5% 1/16W	R550L,R	0700076	CF 470KΩ ±5% 1/16W
R457L,R	0700047	CF 3.3KΩ ±5% 1/16W	R551L,R	0700046	CF 2.7KΩ ±5% 1/16W
R458	0700048	CF 3.9KΩ ±5% 1/16W	R553L,R	0700059	CF 27KΩ ±5% 1/16W
R459L,R	0700053	CF 8.2KΩ ±5% 1/16W	R554L,R	0700059	CF 27KΩ ±5% 1/16W
R460L,R	0700065	CF 68KΩ ±5% 1/16W	R555L,R	0700076	CF 470KΩ ±5% 1/16W
R462	0700046	CF 2.7KΩ ±5% 1/16W	R556L,R	0700041	CF 1KΩ ±5% 1/16W
R501	0129561	CF 100Ω ±5% 1/4W	R557L,R	0700058	CF 22KΩ ±5% 1/16W
R502L,R	0700063	CF 47KΩ ±5% 1/16W	R558L,R	0700053	CF 8.2KΩ ±5% 1/16W
R503L,R	0700049	CF 4.7KΩ ±5% 1/16W	R559	0700058	CF 22KΩ ±5% 1/16W
R504L,R	0700067	CF 100KΩ ±5% 1/16W	R560	0700058	CF 22KΩ ±5% 1/16W
R505L,R	0700063	CF 47KΩ ±5% 1/16W	R561	0129561	CF 100Ω ±5% 1/4W
R506	0700058	CF 22KΩ ±5% 1/16W	R562	0700047	CF 3.3KΩ ±5% 1/16W
R507	0700058	CF 22KΩ ±5% 1/16W	R563	0700067	CF 100KΩ ±5% 1/16W
R508L,R	0700054	CF 10KΩ ±5% 1/16W	R564	0700063	CF 47KΩ ±5% 1/16W
R509L,R	0700046	CF 2.7KΩ ±5% 1/16W	R565	0700049	CF 4.7KΩ ±5% 1/16W
R510L,R	0700067	CF 100KΩ ±5% 1/16W	R566	0113201	CF 10Ω ±5% 1/2W
R511L,R	0700067	CF 100KΩ ±5% 1/16W	R567L,R	0700026	CF 82Ω ±5% 1/16W
R512L,R	0700056	CF 15KΩ ±5% 1/16W	R568L,R	0700032	CF 220Ω ±5% 1/16W
R513	0700058	CF 22KΩ ±5% 1/16W			
R514	0700058	CF 22KΩ ±5% 1/16W			
R515L,R	0700047	CF 3.3KΩ ±5% 1/16W			

PRODUCT SAFETY NOTE: Components marked with a Δ have special characteristics important to safety. Before replacing any of these components, read carefully, the PRODUCT SAFETY NOTICE of this Service Manual. Don't degrade the safety of the receiver through improper servicing.

SYMBOL NO.	PART NO.	DESCRIPTION	SYMBOL NO.	PART NO.	DESCRIPTION
R569	0700041	CF 1K Ω \pm 5% $\frac{1}{2}$ W	R677	0700061	CF 33K Ω \pm 5% $\frac{1}{2}$ W
R570L,R	0700054	CF 10K Ω \pm 5% $\frac{1}{2}$ W			[FOR W, W(UN), W(AU)]
R571L,R	0700005	CF 2.2 Ω \pm 5% $\frac{1}{2}$ W	R678	0700061	CF 33K Ω \pm 5% $\frac{1}{2}$ W
R572L,R	0700005	CF 2.2 Ω \pm 5% $\frac{1}{2}$ W			[FOR W, W(UN), W(AU)]
R573L,R	0113295	CF 470 Ω \pm 5% $\frac{1}{2}$ W	R679	0700061	CF 33K Ω \pm 5% $\frac{1}{2}$ W
R574	0700037	CF 560 Ω \pm 5% $\frac{1}{2}$ W			[FOR W, W(UN), W(AU)]
R575	0700063	CF 47K Ω \pm 5% $\frac{1}{2}$ W	R680	0700021	CF 33 Ω \pm 5% $\frac{1}{2}$ W
R576	0700054	CF 10K Ω \pm 5% $\frac{1}{2}$ W			[FOR W, W(UN), W(AU)]
R577	0700054	CF 10K Ω \pm 5% $\frac{1}{2}$ W	R681	0129563	CF 120 Ω \pm 5% $\frac{1}{4}$ W
R578	0700054	CF 10K Ω \pm 5% $\frac{1}{2}$ W			[FOR W, W(UN), W(AU)]
R579L,R	0700067	CF 100K Ω \pm 5% $\frac{1}{2}$ W	Δ R701	0139005	CF 2.7M Ω \pm 10% $\frac{1}{2}$ W
R580	0700054	CF 10K Ω \pm 5% $\frac{1}{2}$ W			[FOR UC ONLY]
R581	0113294	CF 390 Ω \pm 5% $\frac{1}{2}$ W	R801	0700054	CF 10K Ω \pm 5% $\frac{1}{2}$ W
R582	0700046	CF 2.7K Ω \pm 5% $\frac{1}{2}$ W	R802	0700061	CF 33K Ω \pm 5% $\frac{1}{2}$ W
R583L,R	0700056	CF 15K Ω \pm 5% $\frac{1}{2}$ W	R803	0700067	CF 100K Ω \pm 5% $\frac{1}{2}$ W
R584	0700009	CF 4.7 Ω \pm 5% $\frac{1}{2}$ W	R804	0700067	CF 100K Ω \pm 5% $\frac{1}{2}$ W
		[FOR E(Z) ONLY]	R805	0700057	CF 18K Ω \pm 5% $\frac{1}{2}$ W
R585	0700009	CF 4.7 Ω \pm 5% $\frac{1}{2}$ W	R806	0700057	CF 18K Ω \pm 5% $\frac{1}{2}$ W
		[FOR E(Z) ONLY]	R807	0113640	CF 11K Ω \pm 5% $\frac{1}{2}$ W
R651	0700076	CF 470K Ω \pm 5% $\frac{1}{2}$ W	R808	0700062	CF 39K Ω \pm 5% $\frac{1}{2}$ W
R652	0700054	CF 10K Ω \pm 5% $\frac{1}{2}$ W	R809	0700053	CF 8.2K Ω \pm 5% $\frac{1}{2}$ W
R653	0700031	CF 180 Ω \pm 5% $\frac{1}{2}$ W	R810	0700053	CF 8.2K Ω \pm 5% $\frac{1}{2}$ W
R654	0700065	CF 68K Ω \pm 5% $\frac{1}{2}$ W	R811	0700053	CF 8.2K Ω \pm 5% $\frac{1}{2}$ W
R655	0700078	CF 680K Ω \pm 5% $\frac{1}{2}$ W	R812	0700053	CF 8.2K Ω \pm 5% $\frac{1}{2}$ W
R656	0700054	CF 10K Ω \pm 5% $\frac{1}{2}$ W	R813	0700053	CF 8.2K Ω \pm 5% $\frac{1}{2}$ W
R657	0700034	CF 330 Ω \pm 5% $\frac{1}{2}$ W	R814	0700057	CF 18K Ω \pm 5% $\frac{1}{2}$ W
R661	0700066	CF 82K Ω \pm 5% $\frac{1}{2}$ W	R815	0700053	CF 8.2K Ω \pm 5% $\frac{1}{4}$ W
		[FOR W, W(UN), W(AU)]	R816	0700063	CF 47K Ω \pm 5% $\frac{1}{2}$ W
R662	0700059	CF 27K Ω \pm 5% $\frac{1}{2}$ W	R817	0700053	CF 8.2K Ω \pm 5% $\frac{1}{2}$ W
		[FOR W, W(UN), W(AU)]	R818	0700054	CF 10K Ω \pm 5% $\frac{1}{2}$ W
R663	0700056	CF 15K Ω \pm 5% $\frac{1}{2}$ W	R819	0700054	CF 10K Ω \pm 5% $\frac{1}{2}$ W
		[FOR W, W(UN), W(AU)]	R820	0700049	CF 4.7K Ω \pm 5% $\frac{1}{2}$ W
R665	0700058	CF 22K Ω \pm 5% $\frac{1}{2}$ W	R822	0700067	CF 100K Ω \pm 5% $\frac{1}{2}$ W
		[FOR W, W(UN), W(AU)]	R823	0700045	CF 2.2K Ω \pm 5% $\frac{1}{2}$ W
R666	0700079	CF 820K Ω \pm 5% $\frac{1}{2}$ W	R824	0700045	CF 2.2K Ω \pm 5% $\frac{1}{2}$ W
		[FOR W, W(UN), W(AU)]	R825	0700041	CF 1K Ω \pm 5% $\frac{1}{2}$ W
R667	0700047	CF 3.3K Ω \pm 5% $\frac{1}{2}$ W	R826	0700063	CF 47K Ω \pm 5% $\frac{1}{2}$ W
		[FOR W, W(UN), W(AU)]	R827	0700063	CF 47K Ω \pm 5% $\frac{1}{2}$ W
R668	0700037	CF 560 Ω \pm 5% $\frac{1}{2}$ W	R828	0700073	CF 270K Ω \pm 5% $\frac{1}{2}$ W
		[FOR W, W(UN), W(AU)]			[EXCEPT E, E(BS), E(Z)]
R669	0700035	CF 390 Ω \pm 5% $\frac{1}{2}$ W	R828	0700075	CF 390K Ω \pm 5% $\frac{1}{2}$ W
		[FOR W, W(UN), W(AU)]			[FOR E, E(BS), E(Z)]
R670	0700067	CF 100K Ω \pm 5% $\frac{1}{2}$ W	R829	0174591	CF 10K Ω \pm 5% $\frac{1}{2}$ W
		[FOR W, W(UN), W(AU)]	R830	0700063	CF 47K Ω \pm 5% $\frac{1}{2}$ W
R671	0700061	CF 33K Ω \pm 5% $\frac{1}{2}$ W	R831	0700054	CF 10K Ω \pm 5% $\frac{1}{2}$ W
		[FOR W, W(UN), W(AU)]	R832	0700054	CF 10K Ω \pm 5% $\frac{1}{2}$ W
R673	0700061	CF 33K Ω \pm 5% $\frac{1}{2}$ W	R833	0700074	CF 330K Ω \pm 5% $\frac{1}{2}$ W
		[FOR W, W(UN), W(AU)]			[EXCEPT E, E(BS), E(Z)]
R674	0700061	CF 33K Ω \pm 5% $\frac{1}{2}$ W	R833	0700073	CF 270K Ω \pm 5% $\frac{1}{2}$ W
		[FOR W, W(UN), W(AU)]			[FOR E, E(BS), E(Z)]
R676	0700064	CF 56K Ω \pm 5% $\frac{1}{2}$ W	R834	0700041	CF 1K Ω \pm 5% $\frac{1}{2}$ W
		[FOR W, W(UN), W(AU)]	R835	0700063	CF 47K Ω \pm 5% $\frac{1}{2}$ W
			R836	0174591	CF 10K Ω \pm 5% $\frac{1}{2}$ W

PRODUCT SAFETY NOTE: Components marked with a Δ have special characteristics important to safety. Before replacing any of these components, read carefully, the PRODUCT SAFETY NOTICE of this Service Manual. Don't degrade the safety of the receiver through improper servicing.

SYMBOL NO.	PART NO.	DESCRIPTION	SYMBOL NO.	PART NO.	DESCRIPTION
R837	0700063	CF 47K Ω \pm 5% $\frac{1}{2}$ W	R914	0700056	CF 15K Ω \pm 5% $\frac{1}{2}$ W
R838	0700054	CF 10K Ω \pm 5% $\frac{1}{2}$ W	R915	0700066	CF 82K Ω \pm 5% $\frac{1}{2}$ W
R839	0700055	CF 12K Ω \pm 5% $\frac{1}{2}$ W	R916	0700055	CF 12K Ω \pm 5% $\frac{1}{2}$ W
R843	0174591	CF 10K Ω \pm 5% $\frac{1}{2}$ W	R917	0700053	CF 8.2K Ω \pm 5% $\frac{1}{2}$ W
R845	0700081	CF 1M Ω \pm 5% $\frac{1}{2}$ W	R918	0700064	CF 56K Ω \pm 5% $\frac{1}{2}$ W
R846	0700041	CF 1K Ω \pm 5% $\frac{1}{2}$ W	R919	0700054	CF 10K Ω \pm 5% $\frac{1}{2}$ W
R847	0700054	CF 10K Ω \pm 5% $\frac{1}{2}$ W	R920	0700028	CF 120 Ω \pm 5% $\frac{1}{2}$ W
R848	0700041	CF 1K Ω \pm 5% $\frac{1}{2}$ W	R921	0700056	CF 15K Ω \pm 5% $\frac{1}{2}$ W
R849	0700041	CF 1K Ω \pm 5% $\frac{1}{2}$ W	R922	0700058	CF 22K Ω \pm 5% $\frac{1}{2}$ W
R850	0700054	CF 10K Ω \pm 5% $\frac{1}{2}$ W	R923	0113652	CF 36K Ω \pm 5% $\frac{1}{2}$ W
R851	0700041	CF 1K Ω \pm 5% $\frac{1}{2}$ W	R924	0700047	CF 3.3K Ω \pm 5% $\frac{1}{2}$ W
R852	0700054	CF 10K Ω \pm 5% $\frac{1}{2}$ W	R925	0700049	CF 4.7K Ω \pm 5% $\frac{1}{2}$ W
R853	0700041	CF 1K Ω \pm 5% $\frac{1}{2}$ W	R926	0700037	CF 560 Ω \pm 5% $\frac{1}{2}$ W
R854	0700041	CF 1K Ω \pm 5% $\frac{1}{2}$ W	R927	0700058	CF 22K Ω \pm 5% $\frac{1}{2}$ W
R855	0700054	CF 10K Ω \pm 5% $\frac{1}{2}$ W	R928	0700058	CF 22K Ω \pm 5% $\frac{1}{2}$ W
R856	0700041	CF 1K Ω \pm 5% $\frac{1}{2}$ W	R929	0700046	CF 2.7K Ω \pm 5% $\frac{1}{2}$ W
R857	0700041	CF 1K Ω \pm 5% $\frac{1}{2}$ W	R930	0700053	CF 8.2K Ω \pm 5% $\frac{1}{2}$ W
R858	0700041	CF 1K Ω \pm 5% $\frac{1}{2}$ W	R931	0700062	CF 39K Ω \pm 5% $\frac{1}{2}$ W
R859	0700041	CF 1K Ω \pm 5% $\frac{1}{2}$ W	R932	0700053	CF 8.2K Ω \pm 5% $\frac{1}{2}$ W
R860	0700041	CF 1K Ω \pm 5% $\frac{1}{2}$ W	R933	0700053	CF 8.2K Ω \pm 5% $\frac{1}{2}$ W
R861	0700041	CF 1K Ω \pm 5% $\frac{1}{2}$ W	R934	0700053	CF 8.2K Ω \pm 5% $\frac{1}{2}$ W
R862	0700041	CF 1K Ω \pm 5% $\frac{1}{2}$ W	R935	0700057	CF 18K Ω \pm 5% $\frac{1}{2}$ W
R863	0700067	CF 100K Ω \pm 5% $\frac{1}{2}$ W	R936	0700066	CF 82K Ω \pm 5% $\frac{1}{2}$ W
R864	0700067	CF 100K Ω \pm 5% $\frac{1}{2}$ W	R937	0700071	CF 180K Ω \pm 5% $\frac{1}{2}$ W
R865	0700067	CF 100K Ω \pm 5% $\frac{1}{2}$ W	R938	0700067	CF 100K Ω \pm 5% $\frac{1}{2}$ W
R866	0700046	CF 2.7K Ω \pm 5% $\frac{1}{2}$ W	R939	0700059	CF 27K Ω \pm 5% $\frac{1}{2}$ W
R867	0700046	CF 2.7K Ω \pm 5% $\frac{1}{2}$ W	R940	0700054	CF 10K Ω \pm 5% $\frac{1}{2}$ W
R868	0700039	CF 820 Ω \pm 5% $\frac{1}{2}$ W	R941	0700054	CF 10K Ω \pm 5% $\frac{1}{2}$ W
R869	0700042	CF 1.2K Ω \pm 5% $\frac{1}{2}$ W	R942	0700067	CF 100K Ω \pm 5% $\frac{1}{2}$ W
R870	0700043	CF 1.5K Ω \pm 5% $\frac{1}{2}$ W	R943	0700054	CF 10K Ω \pm 5% $\frac{1}{2}$ W
R871	0700044	CF 1.8K Ω \pm 5% $\frac{1}{2}$ W	R944	0700054	CF 10K Ω \pm 5% $\frac{1}{2}$ W
R872	0700061	CF 33K Ω \pm 5% $\frac{1}{2}$ W	R945	0700081	CF 1M Ω \pm 5% $\frac{1}{2}$ W
R873	0700062	CF 39K Ω \pm 5% $\frac{1}{2}$ W	R946	0113221	CF 22 Ω \pm 5% $\frac{1}{2}$ W
R874	0700054	CF 10K Ω \pm 5% $\frac{1}{2}$ W	R947	0700063	CF 47K Ω \pm 5% $\frac{1}{2}$ W
R875	0700061	CF 33K Ω \pm 5% $\frac{1}{2}$ W	R948	0700063	CF 47K Ω \pm 5% $\frac{1}{2}$ W
R876	0700061	CF 33K Ω \pm 5% $\frac{1}{2}$ W	R949	0700056	CF 15K Ω \pm 5% $\frac{1}{2}$ W
R877	0700038	CF 680 Ω \pm 5% $\frac{1}{2}$ W	R950	0700056	CF 15K Ω \pm 5% $\frac{1}{2}$ W
R878	0700039	CF 820 Ω \pm 5% $\frac{1}{2}$ W	R951	0700056	CF 15K Ω \pm 5% $\frac{1}{2}$ W
R879	0700042	CF 1.2K Ω \pm 5% $\frac{1}{2}$ W	R952	0700057	CF 18K Ω \pm 5% $\frac{1}{2}$ W
R880	0700043	CF 1.5K Ω \pm 5% $\frac{1}{2}$ W	R953L,R	0700058	CF 22K Ω \pm 5% $\frac{1}{2}$ W
R881	0700066	CF 82K Ω \pm 5% $\frac{1}{2}$ W	R954L,R	0700058	CF 22K Ω \pm 5% $\frac{1}{2}$ W
R882	0700064	CF 56K Ω \pm 5% $\frac{1}{2}$ W	R955L,R	0700055	CF 12K Ω \pm 5% $\frac{1}{2}$ W
R883	0700038	CF 680 Ω \pm 5% $\frac{1}{2}$ W	R956L,R	0700055	CF 12K Ω \pm 5% $\frac{1}{2}$ W
R884	0700041	CF 1K Ω \pm 5% $\frac{1}{2}$ W	R957L,R	0700063	CF 47K Ω \pm 5% $\frac{1}{2}$ W
R901	0113221	CF 22 Ω \pm 5% $\frac{1}{2}$ W	R958L,R	0700063	CF 47K Ω \pm 5% $\frac{1}{2}$ W
R902	0700053	CF 8.2K Ω \pm 5% $\frac{1}{2}$ W	R959L,R	0700067	CF 100K Ω \pm 5% $\frac{1}{2}$ W
R903	0700056	CF 15K Ω \pm 5% $\frac{1}{2}$ W	R960L,R	0700067	CF 100K Ω \pm 5% $\frac{1}{2}$ W
R904	0700044	CF 1.8K Ω \pm 5% $\frac{1}{2}$ W	R961	0700056	CF 15K Ω \pm 5% $\frac{1}{2}$ W
R905	0700055	CF 12K Ω \pm 5% $\frac{1}{2}$ W	R962	0700049	CF 4.7K Ω \pm 5% $\frac{1}{2}$ W
R906	0700054	CF 10K Ω \pm 5% $\frac{1}{2}$ W	R965	0700054	CF 10K Ω \pm 5% $\frac{1}{2}$ W
R907	0700041	CF 1K Ω \pm 5% $\frac{1}{2}$ W	R966	0700054	CF 10K Ω \pm 5% $\frac{1}{2}$ W
R908	0700032	CF 220 Ω \pm 5% $\frac{1}{2}$ W	R967	0700051	CF 5.6K Ω \pm 5% $\frac{1}{2}$ W
R910					

PRODUCT SAFETY NOTE: Components marked with a Δ have special characteristics important to safety. Before replacing any of these components, read carefully, the PRODUCT SAFETY NOTICE of this Service Manual. Don't degrade the safety of the receiver through improper servicing.

SYMBOL NO.	PART NO.	DESCRIPTION	SYMBOL NO.	PART NO.	DESCRIPTION
R969	0700054	CF 10K Ω \pm 5% $\frac{1}{2}$ W	Q303	2318303	TRS 2SC1740S (S) [FOR E, E(BS), E(Z)]
RT501	0160326	VR 3K Ω	Q304	2318303	TRS 2SC1740S (S) [FOR E, E(BS), E(Z)]
RT901	0160325	VR 100K Ω	Q305	2329323	TRS 2SC460C
RT902	0160326	VR 3K Ω	Q306	2328083	TRS 2SA844E [EXCEPT E(Z)]
RV501	0157995	VR 50K Ω	Q306	2319152	TRS HIT5610C [FOR E(Z) ONLY]
RV652	AY00021	VR 10K Ω	Q307	2326876	TRS DTC124ES [FOR E(Z) ONLY]
ICs:					
IC101	CP00041	IC KA22495 [EXCEPT E(Z)]	Q401L,R	2318303	TRS 2SC1740S (S)
IC201	2020421	IC LA1831	Q402L,R	2318303	TRS 2SC1740S (S)
IC251	23684312	IC AN278 [FOR E(Z) ONLY]	Q403	2326876	TRS DTC124ES
IC301	2385201	IC LC7218	Q404	2319062	TRS HIT5609C
IC401	CP00032	IC KIA6225S	Q405	2318303	TRS 2SC1740S (S)
IC402	2020291	IC BA3126N	Q406	2318303	TRS 2SC1740S (S)
IC403	23684632	IC BA335	Q407	2318303	TRS 2SC1740S (S)
IC405	2008432	IC BU4052BC	Q408	2318303	TRS 2SC1740S (S)
IC501	CP00621	IC HA17558	Q410	2318303	TRS 2SC1740S (S)
IC502	CP00621	IC HA17558	Q411L,R	2318303	TRS 2SC1740S (S)
IC503	CP00161	IC CXA1642 [FOR W, W(UN), W(AU)]	Q412L,R	2318303	TRS 2SC1740S (S)
IC504	2363197	IC BU4066BC [FOR W, W(UN), W(AU)]	Q413	2318303	TRS 2SC1740S (S)
IC505	2008712	IC BU2040	Q414	2318303	TRS 2SC1740S (S)
IC506	2020301	IC BA3935	Q501L,R	2326876	TRS DTC124ES
IC507	CP00471	IC AN7177	Q502L,R	2326876	TRS DTC124ES
IC508	23017012	IC BA6209N	Q503L,R	2326876	TRS DTC124ES
IC661	CP00551	IC M65844P [FOR W, W(UN), W(AU)]	Q504L,R	2326876	TRS DTC124ES
IC801	2011584	IC HD6433834A15F	Q505L,R	2326876	TRS DTC124ES
IC803	CP00711	IC KIA7029P	Q506L,R	2326876	TRS DTC124ES
IC901	2003371	IC HA12158NT	Q507	2326862	TRS DTA114ES [FOR W, W(UN), W(AU)]
IC902	CK00072	IC KA9258	Q508L,R	2318303	TRS 2SC1740S (S)
IC903	23017012	IC BA6209N	Q509	2318303	TRS 2SC1740S (S)
IC904	2019822	IC HD49233AFS	Q510	2326876	TRS DTC124ES
IC905	CP00621	IC HA17558	Q511	2326876	TRS DTC124ES
TRANSISTORS:					
Q101	2319071	TRS HIT9016G [EXCEPT E(Z)]	Q512L,R	2318303	TRS 2SC1740S (S)
Q151	2318303	TRS 2SC1740S (S) [FOR E, E(BS), E(Z)]	Q513L,R	2318303	TRS 2SC1740S (S)
Q152	2318303	TRS 2SC1740S (S) [FOR E, E(BS), E(Z)]	Q514L,R	2318303	TRS 2SC1740S (S)
Q153	2318303	TRS 2SC1740S (S) [FOR E, E(BS), E(Z)]	Q515	2318303	TRS 2SC1740S (S)
Q154	2318303	TRS 2SC1740S (S) [FOR E, E(BS), E(Z)]	Q516	2318303	TRS 2SC1740S (S)
Q155	2326862	TRS DTA114ES [FOR E, E(BS), E(Z)]	Q517	2318303	TRS 2SC1740S (S)
Q156	2326862	TRS DTA114ES [FOR E, E(BS), E(Z)]	Q518	2318303	TRS 2SC1740S (S)
Q201	2329323	TRS 2SC460C [EXCEPT E(Z)]	Q519	2318303	TRS 2SC1740S (S)
Q202	2318303	TRS 2SC1740S (S)	Q520	2324362	TRS 2SA1129
Q203	2318303	TRS 2SC1740S (S)	Q521	2326876	TRS DTC124ES
Q301	2318303	TRS 2SC1740S (S)	Q651	2318303	TRS 2SC1740S (S)
Q302	2318303	TRS 2SC1740S (S)	Q652	2318303	TRS 2SC1740S (S)
			Q661	2318303	TRS 2SC1740S (S) [FOR W, W(UN), W(AU)]
Q801	2318292	TRS 2SA933S [R]	Q801	2318292	TRS 2SA933S [R]
Q802	2319062	TRS HIT5609C	Q802	2319062	TRS HIT5609C
Q803	2326876	TRS DTC124ES	Q803	2326876	TRS DTC124ES
Q804	2326862	TRS DTA114ES	Q804	2326862	TRS DTA114ES
Q805	2319052	TRS HIT8050C	Q805	2319052	TRS HIT8050C
Q806	2326876	TRS DTC124ES	Q806	2326876	TRS DTC124ES

PRODUCT SAFETY NOTE: Components marked with a Δ have special characteristics important to safety. Before replacing any of these components, read carefully, the PRODUCT SAFETY NOTICE of this Service Manual. Don't degrade the safety of the receiver through improper servicing.

SYMBOL NO.	PART NO.	DESCRIPTION	SYMBOL NO.	PART NO.	DESCRIPTION
Q807	2326862	TRS DTA114ES	ZD802	2331808	ZD HZ6C2
Q808	2326862	TRS DTA114ES	ZD901	2331787	ZD HZ4C1
Q809	2319052	TRS HIT8050C	LAMP1	DP00021	MINITURE LAMP
Q810	2326876	TRS DTC124ES	LAMP2	DP00021	MINITURE LAMP
Q811	2326876	TRS DTC124ES	LED801	CH00072	LED SLR-342VC3F
Q901	2319152	TRS HIT5610C	LED802	CH00071	LED SLR-342MC3F
Q902	2318303	TRS 2SC1740S (S)	TRANSFORMERS:		
Q903	2318303	TRS 2SC1740S (S)	T151	2137374	LW ANT COIL [FOR E, E(BS), E(Z)]
DIODES:					
D101	2398921	DI 1N4531	T152	2137904	LW OSC COIL [FOR E, E(BS), E(Z)]
D102	2398921	DI 1N4531	T153	2137902	MW OSC COIL
D103	2398901	VCD 1SV101 [EXCEPT E(Z)]	T154	2137373	MW ANT COIL
D104	2398901	VCD 1SV101 [EXCEPT E(Z)]	T201	2137882	FM IFT [EXCEPT E(Z)]
D105	2398921	DI 1N4531	T202	2146071	AM IFT [WITH CF]
D106	2398921	DI 1N4531	T203	2136313	LPF 114KHz [FOR E(Z) ONLY]
D151	2397363	VCD SVC321B [FOR E, E(BS), E(Z)]	T401	2136828	TRANS REC OSC
D152	2397363	VCD SVC321B [FOR E, E(BS), E(Z)]	Δ PT701	BT00091	POWER TRANSFORMER [FOR UC ONLY]
D153	2397363	VCD SVC321B	Δ PT701	BT00092	POWER TRANSFORMER [FOR E, E(BS), E(Z)]
D154	2397363	VCD SVC321B	Δ PT701	BT00093	POWER TRANSFORMER [FOR W, W(UN), W(AU)]
D201	2398921	DI 1N4531 [EXCEPT E(Z)]	FUSES:		
D202	2398921	DI 1N4531	Δ F701	2722418	FUSE 5A [FOR UC ONLY]
D301	2398921	DI 1N4531	Δ F701	2721616	FUSE T4A [EXCEPT UC]
D302	2398921	DI 1N4531	Δ F702	2728072	FUSE T630mA [FOR W, W(UN), W(AU)]
D502	2398921	DI 1N4531	COILS:		
D503	2398921	DI 1N4531	L101	2227721	CHOKE COIL 0.45 μ H [EXCEPT E(Z)]
D504	2398921	DI 1N4531	L102	2137683	FM RF COIL [EXCEPT E(Z)]
D505	2398921	DI 1N4531	L103	2137689	FM OSC COIL [EXCEPT E(Z)]
D506	2398921	DI 1N4531	L104	2227905	CHOKE COIL 10 μ H [EXCEPT E(Z)]
D507	2398921	DI 1N4531	L105	2227721	CHOKE COIL 0.45 μ F [FOR E(Z) ONLY]
D510	2398082	DI 1N4148	L401L,R	2228613	CHOKE COIL 33 mH
D701	23374612	RECT S4VB20	L402	2227905	CHOKE COIL 10 μ H
D801	2398921	DI 1N4531	L403L,R	2227991	CHOKE COIL 3.3 mH
D802	2398921	DI 1N4531	L801	2227905	CHOKE COIL 10 μ H
D803	2398921	DI 1N4531	L802	2227905	CHOKE COIL 10 μ H
D804	2398921	DI 1N4531	L803	2227912	CHOKE COIL 2.2 μ H
D805	2398921	DI 1N4531	L901	2227912	CHOKE COIL 2.2 μ H
D806	2398921	DI 1N4531	L902	2227912	CHOKE COIL 2.2 μ H
D807	2398921	DI 1N4531			
D901	2398921	DI 1N4531			
D902	2398921	DI 1N4531			
D903	2398921	DI 1N4531			
D904	2398921	DI 1N4531			
D905	2398921	DI 1N4531			
ZD301	2331805	ZD HZ6B2			
ZD501	2331805	ZD HZ6B2			
ZD502	2331797	ZD HZ5C1			
ZD503	2331806	ZD HZ6B3			
ZD504	2331787	ZD HZ4C1			
ZD505	2331827	ZD HZ9C1			
ZD506	2337552	ZD HZ11A2			
ZD507	2331805	ZD HZ6B2			
ZD801	2331805	ZD HZ6B2			

PRODUCT SAFETY NOTE: Components marked with a Δ have special characteristics important to safety. Before replacing any of these components, read carefully, the PRODUCT SAFETY NOTICE of this Service Manual. Don't degrade the safety of the receiver through improper servicing.

SYMBOL NO.	PART NO.	DESCRIPTION	SYMBOL NO.	PART NO.	DESCRIPTION
SWITCHES:					
S651	2622522	SLIDE SWITCH [FOR W, W(UN), W(AU)]	P102	EU00085	4P PUSH TERMINAL [EXCEPT E, E(BS), E(Z)]
Δ S701	2611313	2 VOLTAGE SELECTOR [FOR W, W(UN), W(AU)]	PR501	2726222	PROTECTOR ICP-N10
S801	2639684	TACT SWITCH	PR502L,R	2726224	PROTECTOR ICP-N38
S802	2639684	TACT SWITCH	TU131	HH00011	TUNER PACK [FOR E(Z) ONLY]
S803	2639684	TACT SWITCH	X301	27803822	X'TAL OSC [7.2MHz]
S804	2639684	TACT SWITCH	X801	2155321	VFL-CSA4.00MGW
S805	2639684	TACT SWITCH	X802	2168491	VFL-DT-38 [32.768KHz]
S806	2639684	TACT SWITCH	X901	2168881	RESONATOR 33.868MHz
S807	2639684	TACT SWITCH	CABINET CHASSIS:		
S808	2639684	TACT SWITCH	1	UX00731	SP BOX AS [HS-6/C8] (A6429-9106)
S809	2639684	TACT SWITCH	2	QA00071	TOP COVER
S810	2639684	TACT SWITCH	3	PH01441	FRONT PANEL SASS [UC, E, E(BS), E(Z)]
S811	2639684	TACT SWITCH		PH01442	FRONT PANEL SASS [W, W(UN), W(AU)]
S812	2639684	TACT SWITCH	4	NX00351	INDICATOR (L)
S813	2639684	TACT SWITCH	5	PC00551	DECK BUTTON
S814	2639684	TACT SWITCH	6	PC00542	CD BUTTON
S815	2639684	TACT SWITCH	7	PC00571	ECHO KNOB
S816	2639684	TACT SWITCH	8	8691310	2.6 x 10 BT SCREW
MISCELLANEOUS:					
BPF101	2137193	BAND PASS FILTER [EXCEPT E(Z)]	9	4578972	3 x 10 BT SCREW
CF201	2134982	CER. FILTER SFE10.7MAS	10	MU00071	FIBER WASHER
CF203	2138144	CER. FILTER CDA10.7MG37-A	11	PC00561	VOL KNOB
CF204	2138134	CER. FILTER CSB465F15	12	PH01451	CASSETTE DOOR SASS
CF251	2135003	CER. FILTER CFL-SKM2 [FOR E(Z) ONLY]	13	3487403	HITACHI BADGE
CF252	2135003	CER. FILTER CFL-SKM2 [FOR E(Z) ONLY]	14	3815801	DAMPER
CH502	2674741	4P CABLE HOLDER	15	KL00171	EJECT SPRING
CH503	2674741	4P CABLE HOLDER	16	3375431	CASSETTE MECHA (TN-1800Z-143)
CT101	0281474	TRIMMER CAP 7P [EXCEPT E(Z)]	17	8691410	3 x 10 BT SCREW
IR801	CJ00002	RPM-676CBR-S	18	3860942	EJECT CAM
JK401	2678152	2P PIN JACK	19	3335651	CAM SPRING
JK501	2673721	3.5 PHONE JACK	20	4531881	2 x 3 SCREW
JK502	EU00082	4P PUSH TERMINAL	21	8671406	3 x 6 DT SCREW
JK651	2673721	3.5 MIC JACK	22	PH00431	BATT LID
LCD801	2480286	LCD	23	NX00102	BATT CASE
M501	2525411	MOTOR M25E-3	24	QA00081	BOTTOM CHASSIS
N510	8691408	3x8 BT SCREW	25	8671606	4 x 6 DT SCREW
N511	8691410	3x10 BT SCREW	26	NJ00562	SWITCH HOLDER [FOR W, W(UN), W(AU)]
P001	2689401	POWER BLANK TERMINAL [FOR UC, E, E(Z), W, W(UN)]	Δ 27	2713147	AC CORD SPT-2 [FOR UC]
P002	2689401	POWER BLANK TERMINAL [FOR UC, E, E(Z), W, W(UN)]	Δ	2972567	AC CORD [FOR E, E(Z), W, W(UN)]
P101	ER00021	COAXIAL JACK [FOR E, E(BS), E(Z)]	Δ	2971042	3P BS AC CORD [FOR E(BS)]
P102	EU00071	2P PUSH TERMINAL [FOR E, E(BS), E(Z)]	Δ	2971111	AC CORD [FOR W(AU)]
			Δ 28	EY00281	EDISON PLUG [FOR W, W(UN)]
			29	8679406	3 x 6 DT SCREW B
			30	8699410	3 x 10 BT SCREW B
			31	ML00061	AC CORD BUSHING
			32	QA00091	REAR PLATE [FOR UC]
				QA00095	REAR PLATE [FOR E, E(BS), E(Z)]
				QA00094	REAR PLATE [FOR W, W(UN), W(AU)]

PRODUCT SAFETY NOTE: Components marked with a Δ have special characteristics important to safety. Before replacing any of these components, read carefully, the PRODUCT SAFETY NOTICE of this Service Manual. Don't degrade the safety of the receiver through improper servicing.

SYMBOL NO.	PART NO.	DESCRIPTION	SYMBOL NO.	PART NO.	DESCRIPTION
33	QL00921	RATING LABEL [E(BS)]	28	3375502	M BELT
	QL00922	RATING LABEL [E(Z)]	29	3375503	HLW CUT 2.1 x 5 x 0.4
	QL00924	RATING LABEL [W(AU)]	30	3375504	TRIGGER ARM SPRING
	QL00925	RATING LABEL [W(UN)]	31	8512041	PLUNGER
34	3372462	CD MECHA KSL-2103ABM	32	8512051	PLUNGER HOLDER
35	8691412	3 x 12 BT SCREW	33	3375505	SOLENOID
36	PH01412	TRAY PANEL	34	3375506	P KICK LEVER
37	4577816	3 x 20 BT SCREW	35	8512091	PK LEVER SPRING
38	NT00271	MAIN CHASSIS	36	3375507	CH SLIDE LEVER
39	NJ00791	LCD HOLDER	37	3375508	M GEAR
40	MN00451	LIGHT GUARD	38	3375509	M TRIGGER ARM
41	NJ00801	TRANSMITTER	39	3375511	RF CAM GEAR
42	MN00383	LCD FILTER	40	3375512	E RING S2.0
43	MN00384	LCD FILTER	41	3375513	HLW CUT 1.55 x 3.5 x 0.5
44	NX00361	RM SPACER	42	3375516	MTS-10431MVJO
45	MQ00034	LEG	43	3375517	MSW-18211MVDO
46	HL00082	REMOTE CONTROLLER	44	3375518	MCV-00511MVDO
47	3874034	VOL HOLDER	45	3375519	HALL IC LB9051A
48	8711103	2 x 3 SCREW	46	3375521	P BASE STUD
49	3335773	COIL SPRING	47	3375523	T GEAR ARM [F] ASSY
50	3861001	VOL GEAR	48	3375524	T GEAR
51	2759341	AM LOOP ANT	49	3375525	T GEAR ARM [R] ASSY
52	2757528	FM ANT [FOR UC, W(AU)]	50	3375528	PINCH ROLLER [F] ASSY
			51	8512211	P ARM [F] SPRING
CASSETTE CHASSIS:					
1	3375471	CHASSIS ASSY	52	3375529	PINCH ROLLER ARM [R] ASSY
2	3375473	HEAD BASE ASSY	53	8512231	P ARM [R] SPRING
3	8511721	RC SPRING	54	3375531	FL METAL [F] ASSY
4	8511741	CHP LEVER	55	3375532	FL METAL [R] ASSY
5	3375476	PINCH ROLLER SP	56	3375535	FLYWHEEL [F] ASSY
6	8511641	CHP LEVER COLLAR	57	3375537	FLYWHEEL [R] ASSY
7	3375477	SCREW [FOR CAMERA] M1.7 x 3	58	3375538	HLW CUT 2.3 x 3.8 x 0.2
8	3375478	HEAD YK56R-BA405	59	3375539	E STOPPER A[F]
9	3375479	HEAD COLLAR SCREW S	60	3375541	E STOPPER B[F]
10	3375481	$\odot\odot$ SCREW [SMALL TOOTH] M2 x 6	61	3375542	CAMERA S TAPPING SCREW M2 x 6 GUIDE
11	3375482	TAMS SCREW M2 x 5	62	3375543	E STOPPER SPRING [F]
12	8511681	SPACER	63	8512401	E STOPPER COLLAR
13	8511661	RELAY BOARD	CD MECHA:		
14	8511691	WIRE CLAMP	1	4898711	TRAY(S)
15	3375484	HEAD PANEL SPRING	2	4898713	COVER(S) GEAR
16	3375485	HLW CUT 1.4 x 3.2 x 0.4	3	4898714	GEAR(S), TRAY
17	3375486	RF CLUTCH ASSY	4	4898715	PLATE(S), CHUCKING
18	3375488	RF BELT	5	4898717	YOKE(S), CHUCKING
19	3375489	CAMERA S TAPPING SCREW M2 x 5 WITH WASHER	6	4898718	MAGNET
20	3375491	PANEL COLLAR	7	4898719	DAMPER(S)
21	3375492	T REEL ASSY [F]	8	4898741	PULLEY(S), CHUCKING
22	3375493	T REEL ASSY [R]	9	4898721	CHASSIS ASSY(S), SUB
23	3375494	B.T. SPRING	10	4898722	SPRING(S)
24	3375495	FF GEAR	11	4898723	WASHER BASED SCREW
25	3375496	RF TRIGGER ARM	12	4898729	GEAR(S), DRIVE
26	3375497	MOTOR ASSY	13	4898742	CAM(S), CONTROL
27	33754505	MOTOR COLLAR SCREW	14	4898731	SWITCH, LEAF