

# HITACHI

## SERVICE MANUAL

YS

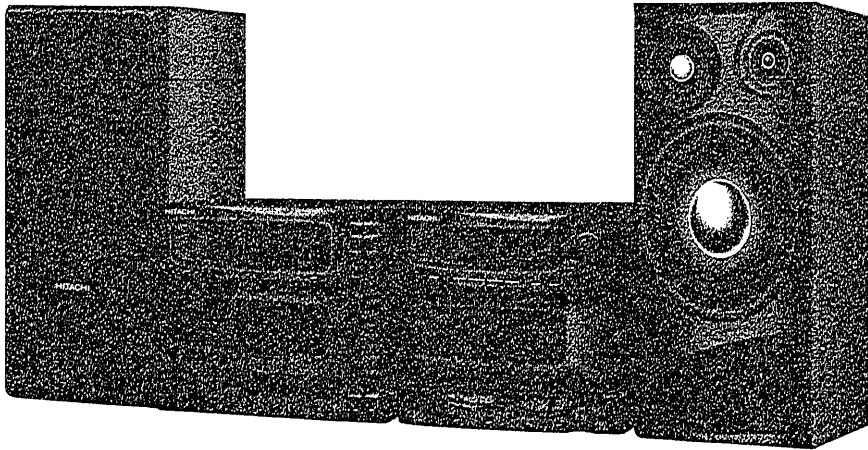
No. 0035E

### AX-C50

[UC, E, E(BS), E(Z), W, W(UN), W(AU)]

CWA-432RR

This service manual describes only the changes from AX-C22. When servicing, please refer to the AX-C22 Service Manual (No. 0034E)



#### SAFETY PRECAUTIONS

The following precautions should be observed when servicing.

1. Since many parts in the unit have special safety-related characteristics, always use genuine Hitachi's replacement parts. Especially critical parts in the power circuit block should not be replaced with other makers. Critical parts are marked with  $\Delta$  in the circuit diagram and printed wiring board.
2. Before returning a repaired unit to the customer, the service technician must thoroughly test the unit to ascertain that it is completely safe to operate without danger of electrical shock.

---

SPECIFICATIONS AND PARTS ARE SUBJECT TO CHANGE FOR IMPROVEMENT

---

## COMPACT HI-FI COMPONENT SYSTEM

---

October 1995

HITACHI CONSUMER PRODUCTS (S)

**REPLACEMENT PARTS LIST**

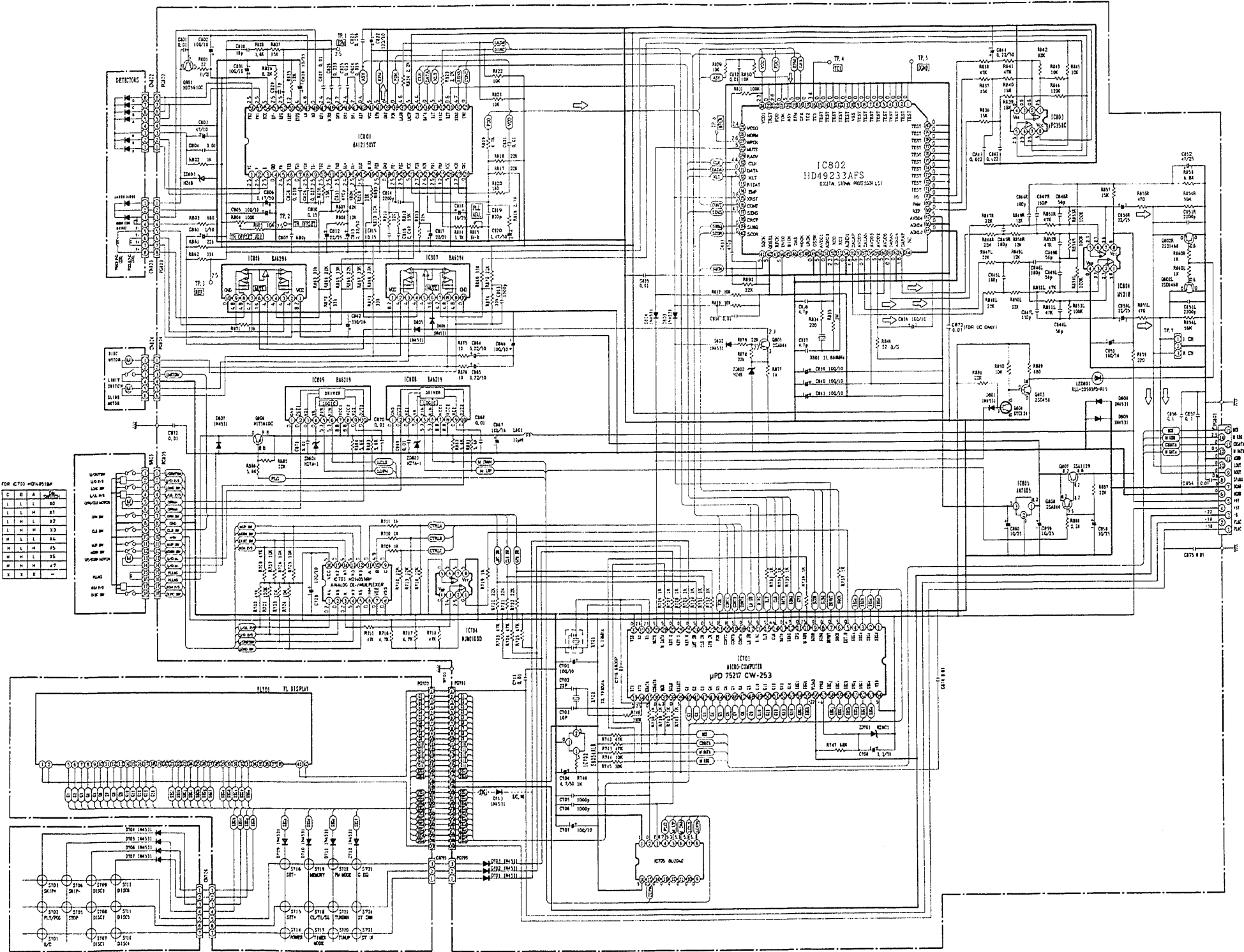
(Differences from AX-C22)

**PRODUCT SAFETY NOTE:** Components marked with a  $\Delta$  have special characteristics important to safety. Before replacing any of these components, read carefully, the Service Manual.

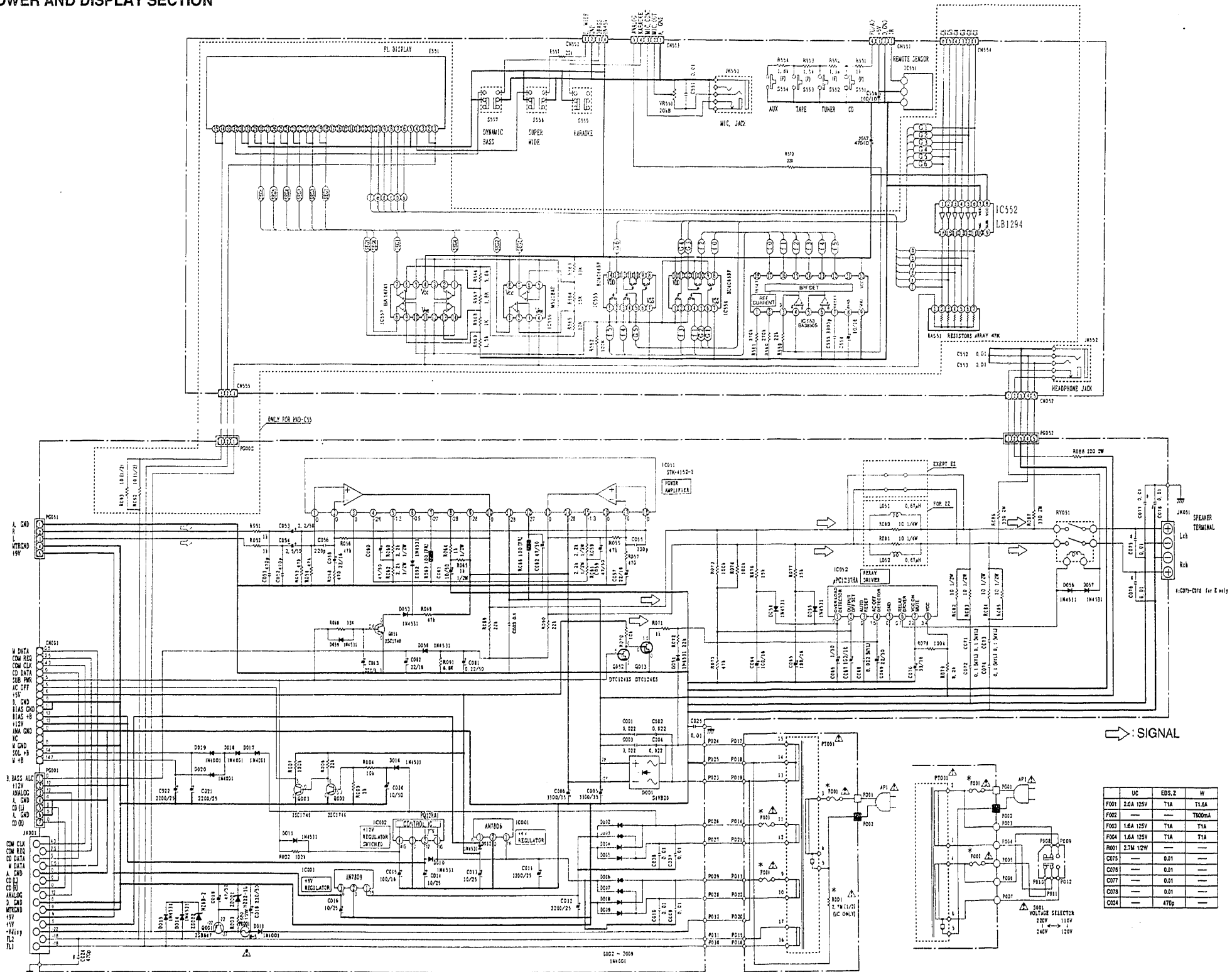
Remark : \* Mark: components in Display P.W.B. (HAD)

AX-C22				AX-C50			
SYMBOL NO.	PART NO.	DESCRIPTION		SYMBOL NO.	PART NO.	DESCRIPTION	
<b>CAPACITORS:</b>							
C771	0800016	EL	10 $\mu$ F $\pm$ 20% 25V	C771		Not used	
C772	0890038	CD	3300PF $\pm$ 10% 50V	C772		Not used	
C773	0800016	EL	10 $\mu$ F $\pm$ 20% 25V	C773		Not used	
C774	0800048	EL	100 $\mu$ F $\pm$ 20% 10V	C774		Not used	
*C554			Not used	*C554	0800122	EL	10 $\mu$ F $\pm$ 20% 16V
*C555			Not used	*C555	0890038	CD	3300PF $\pm$ 30% 16V
*C557			Not used	*C557	0800073	EL	470 $\mu$ F $\pm$ 20% 10V
<b>RESISTORS:</b>							
*R555	0700035	CF	390 $\Omega$ $\pm$ 5% $\frac{1}{16}$ W	*R555		Not used	
*R556	0700035	CF	390 $\Omega$ $\pm$ 5% $\frac{1}{16}$ W	*R556		Not used	
R771	0700055	CF	12k $\Omega$ $\pm$ 5% $\frac{1}{16}$ W	R771		Not used	
R772	0700073	CF	270k $\Omega$ $\pm$ 5% $\frac{1}{16}$ W	R772		Not used	
R773	0700073	CF	270k $\Omega$ $\pm$ 5% $\frac{1}{16}$ W	R773		Not used	
R774	0700058	CF	22k $\Omega$ $\pm$ 5% $\frac{1}{16}$ W	R774		Not used	
R775	0700063	CF	47k $\Omega$ $\pm$ 5% $\frac{1}{16}$ W	R775		Not used	
R776	0700063	CF	47k $\Omega$ $\pm$ 5% $\frac{1}{16}$ W	R776		Not used	
R777	0700063	CF	47k $\Omega$ $\pm$ 5% $\frac{1}{16}$ W	R777		Not used	
R778	0700063	CF	47k $\Omega$ $\pm$ 5% $\frac{1}{16}$ W	R778		Not used	
R779	0700059	CF	27k $\Omega$ $\pm$ 5% $\frac{1}{16}$ W	R779		Not used	
R780	0700067	CF	100k $\Omega$ $\pm$ 5% $\frac{1}{16}$ W	R780		Not used	
R781	0700061	CF	33k $\Omega$ $\pm$ 5% $\frac{1}{16}$ W	R781		Not used	
R782	0700056	CF	15k $\Omega$ $\pm$ 5% $\frac{1}{16}$ W	R782		Not used	
R783	0700054	CF	10k $\Omega$ $\pm$ 5% $\frac{1}{16}$ W	R783		Not used	
R784	0700051	CF	5.6k $\Omega$ $\pm$ 5% $\frac{1}{16}$ W	R784		Not used	
R785	0700044	CF	1.8k $\Omega$ $\pm$ 5% $\frac{1}{16}$ W	R785		Not used	
R786	0700041	CF	1k $\Omega$ $\pm$ 5% $\frac{1}{16}$ W	R786		Not used	
R787	0700043	CF	1.5k $\Omega$ $\pm$ 5% $\frac{1}{16}$ W	R787		Not used	
R788	0700054	CF	10k $\Omega$ $\pm$ 5% $\frac{1}{16}$ W	R788		Not used	
R789	0700067	CF	100k $\Omega$ $\pm$ 5% $\frac{1}{16}$ W	R789		Not used	
R790	0700067	CF	100k $\Omega$ $\pm$ 5% $\frac{1}{16}$ W	R790		Not used	
R791	0700054	CF	10k $\Omega$ $\pm$ 5% $\frac{1}{16}$ W	R791		Not used	
R792	0700054	CF	10k $\Omega$ $\pm$ 5% $\frac{1}{16}$ W	R792		Not used	
*R559			Not used	*R559	0700058	CF	22k $\Omega$ $\pm$ 5% $\frac{1}{16}$ W
R560			Not used	R560	0700073	CF	270k $\Omega$ $\pm$ 5% $\frac{1}{16}$ W
*R561			Not used	*R561	0700073	CF	270k $\Omega$ $\pm$ 5% $\frac{1}{16}$ W
*R562			Not used	*R562	0700067	CF	100k $\Omega$ $\pm$ 5% $\frac{1}{16}$ W
*R563			Not used	*R563	0700061	CF	33k $\Omega$ $\pm$ 5% $\frac{1}{16}$ W
*R564			Not used	*R564	0700056	CF	15k $\Omega$ $\pm$ 5% $\frac{1}{16}$ W
*R565			Not used	*R565	0700054	CF	10k $\Omega$ $\pm$ 5% $\frac{1}{16}$ W
*R566			Not used	*R566	0700051	CF	5.6k $\Omega$ $\pm$ 5% $\frac{1}{16}$ W
*R567			Not used	*R567	0700044	CF	1.8k $\Omega$ $\pm$ 5% $\frac{1}{16}$ W
*R568			Not used	*R568	0700041	CF	1k $\Omega$ $\pm$ 5% $\frac{1}{16}$ W
*R569			Not used	*R569	0700043	CF	1.5k $\Omega$ $\pm$ 5% $\frac{1}{16}$ W
*R570			Not used	*R570	0700058	CF	22k $\Omega$ $\pm$ 5% $\frac{1}{16}$ W
RA551			Not used	RA551	2793525	R NETWORK	47k $\Omega$ $\pm$ 5% $\frac{1}{16}$ W
<b>TRANSFORMERS:</b>							
$\Delta$ PT001	BT00231	POWER TRANSFORMER [UC]		$\Delta$ PT001	BT00236	POWER TRANSFORMER [UC]	
$\Delta$ PT001	BT00232	POWER TRANSFORMER [E, E(BS), E(Z)]		$\Delta$ PT001	BT00237	POWER TRANSFORMER [E, E(BS), E(Z)]	
$\Delta$ PT001	BT00233	POWER TRANSFORMER [W, W(UN), W(AU)]		$\Delta$ PT001	BT00234	POWER TRANSFORMER [W, W(UN), W(AU)]	

CDC SECTION



POWER AND DISPLAY SECTION

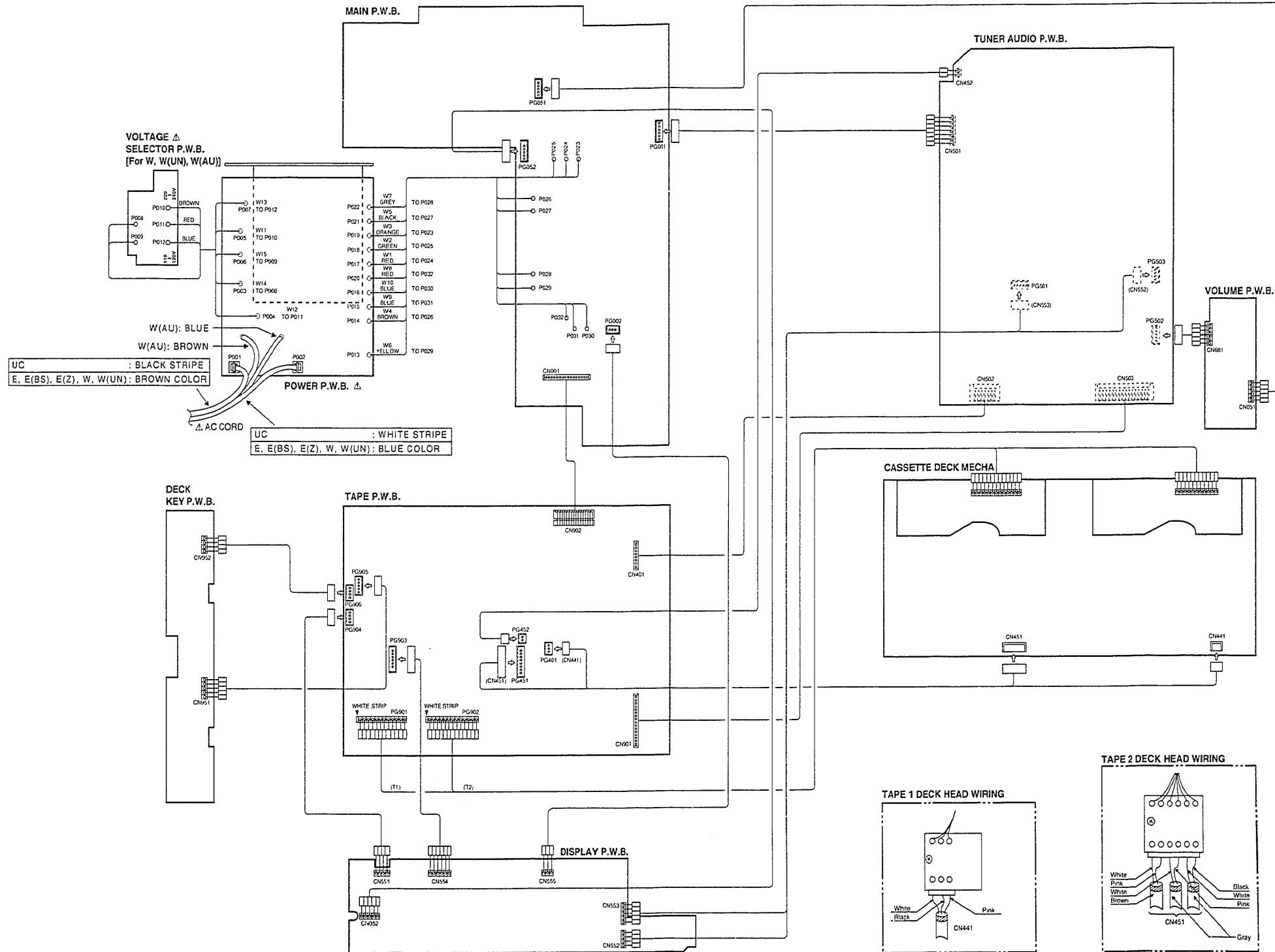


→ SIGNAL

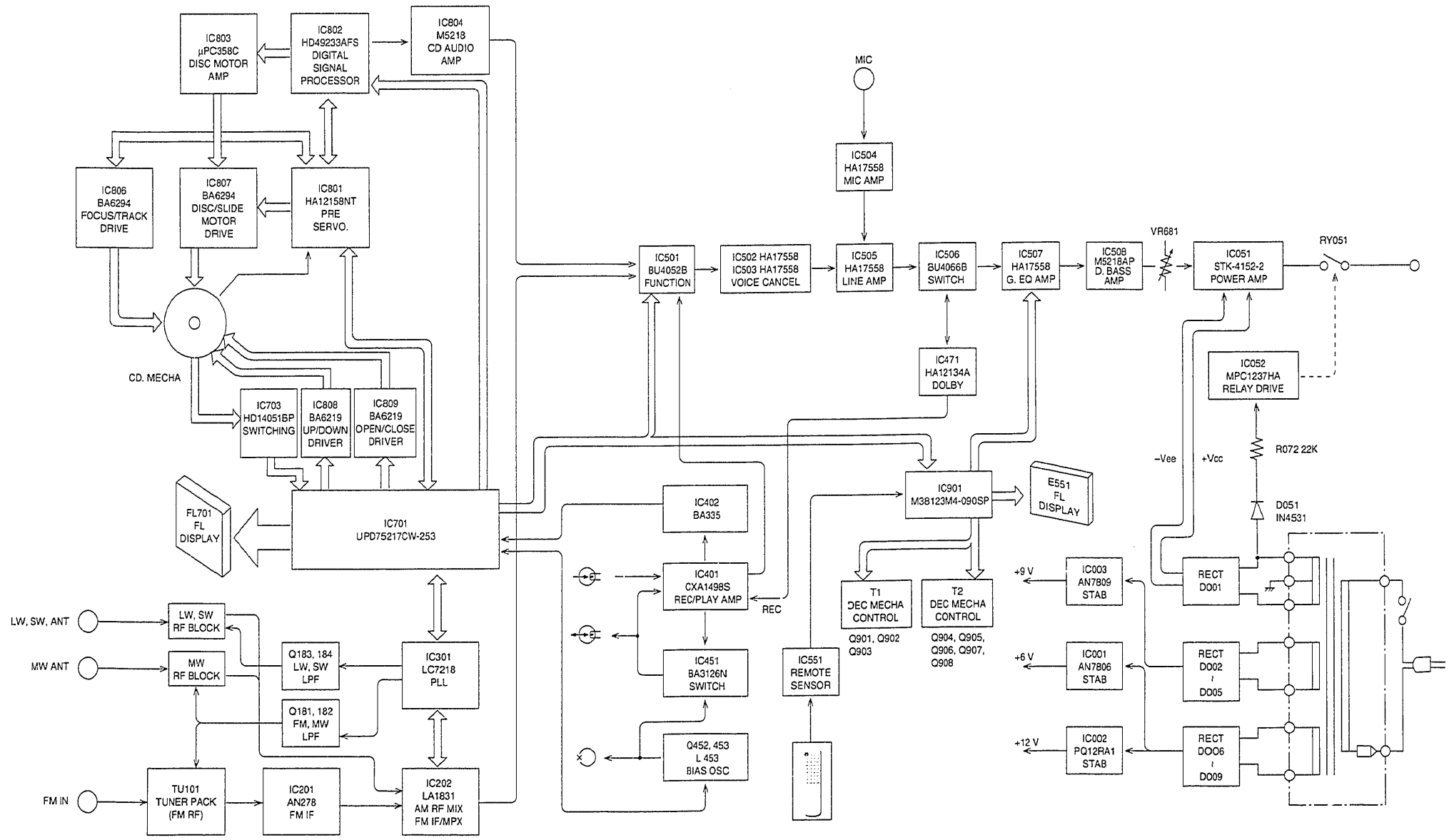
UC	EDS.2	W
F001	2.0A 125V	T1A
F002		T800MA
F003	1.6A 125V	T1A
F004	1.6A 125V	T1A
R001	2.7W 12W	
C075		0.01
C076		0.01
C077		0.01
C078		0.01
C024		470p

**WIRING DIAGRAM**

HAD-C50



**BLOCK DIAGRAM**



AX-C50

PRODUCT SAFETY NOTE: Components marked with a  $\Delta$  have special characteristics important to safety. Before replacing any of these components, read carefully, the Service Manual.

AX-C22			AX-C50		
SYMBOL NO.	PART NO.	DESCRIPTION	SYMBOL NO.	PART NO.	DESCRIPTION
<b>ICS:</b>					
IC771	2008761	IC BA383DS	IC771		Not used
IC772	2363197	IC BU4066BC	IC772		Not used
IC773	CP00621	IC HA17558	IC773		Not used
IC774	CP00621	IC HA17558	IC774		Not used
IC775	CP00621	IC HA17558	IC775		Not used
IC552		Not used	IC552	CP00911	LB1294
IC553		Not used	IC553	2008761	BA3830S
IC554		Not used	IC554	CK01811	BU4066F
IC555		Not used	IC555	CK01811	BU4066F
IC556		Not used	IC556	CP00621	HA17558
IC557		Not used	IC557	CP01161	BA14741
<b>TRANSISTORS:</b>					
Q771	23282822	TR 2SC458	Q771		Not used
Q772	2326862	TR DTA114ES	Q772		Not used
Q773	2326876	TR DTC124ES	Q773		Not used
<b>DIODES:</b>					
D551	2398407	LED SLR54DT3F	D551		Not used
D552	2398407	LED SLR54DT3F	D552		Not used
D771	2398921	DI 1N4531	D771		Not used
D772	2398921	DI 1N4531	D772		Not used
D773	2398921	DI 1N4531	D773		Not used
D774	2398921	DI 1N4531	D774		Not used
D775	2398921	DI 1N4531	D775		Not used
FL701	DD00001	FL DISPLAY	FL701	DD00011	FL DISPLAY
ZD002	2331805	ZD HZ6B2	ZD002	2331811	ZD HZ7A1
E551		Not used	E551	2482261	FL TUBE
<b>MISCELLANEOUS:</b>					
PG002		Not used	PG002	2674262	3P MX PINPOST
PG703	2698985	FFC CONNECTOR 11P	PG703		Not used
PG704	2698992	FFC CONNECTOR 11P (L)	PG704		Not used
PG705		Not used	PG705	2658672	3P TXL PINPOST
PG903		Not used	PG903	2674265	6P MX PINPOST
<b>CABINET CHASSIS (HAD):</b>					
1	PH02041	FRONT PANEL ASS'Y (AD/C22)	1	PH02051	FRONT PANEL ASS'Y (AD/C50)
17	PH02001	DISPLAY SHEET	17		Not used
35	QA00161	REAR PLATE (AD/C22) [UC]	35	QA00164	REAR PLATE (AD/C50) [UC]
	QA00162	REAR PLATE (AD/C22) [E]		QA00165	REAR PLATE (AD/C50) [E]
	QA00163	REAR PLATE (AD/C22) [W]		QA00166	REAR PLATE (AD/C50) [W]
	QA00211	REAR PLATE ASS'Y [W(UN)]		QA00213	REAR PLATE ASS'Y [W(UN)]
	QA00212	REAR PLATE ASS'Y [W(AU)]		QA00214	REAR PLATE ASS'Y [W(AU)]
	QA00215	REAR PLATE ASS'Y [E(BS)]		QA00216	REAR PLATE ASS'Y [E(BS)]
<b>CABINET CHASSIS (HTC):</b>					
1	PH02161	FRONT PANEL ASS'Y (TC/C22)	1	PH02171	FRONT PANEL ASS'Y (TC/C50)
12	QA00201	REAR PLATE (TC/C22) [UC]	12	QA00204	REAR PLATE (TC/C50) [UC]
	QA00202	REAR PLATE (TC/C22) [E, E(BS), E(Z)]		QA00205	REAR PLATE (TC/C50) [E, E(BS), E(Z)]
	QA00203	REAR PLATE (TC/C22) [W, W(UN), W(AU)]		QA00206	REAR PLATE (TC/C50) [W, W(UN), W(AU)]

# HITACHI

---

**AX-C50 YS No. 0035E HITACHI CONSUMER PRODUCTS (S)**  
**[UC, E, E(BS), E(Z), W, W(UN), W(AU)]**

Printed in Singapore